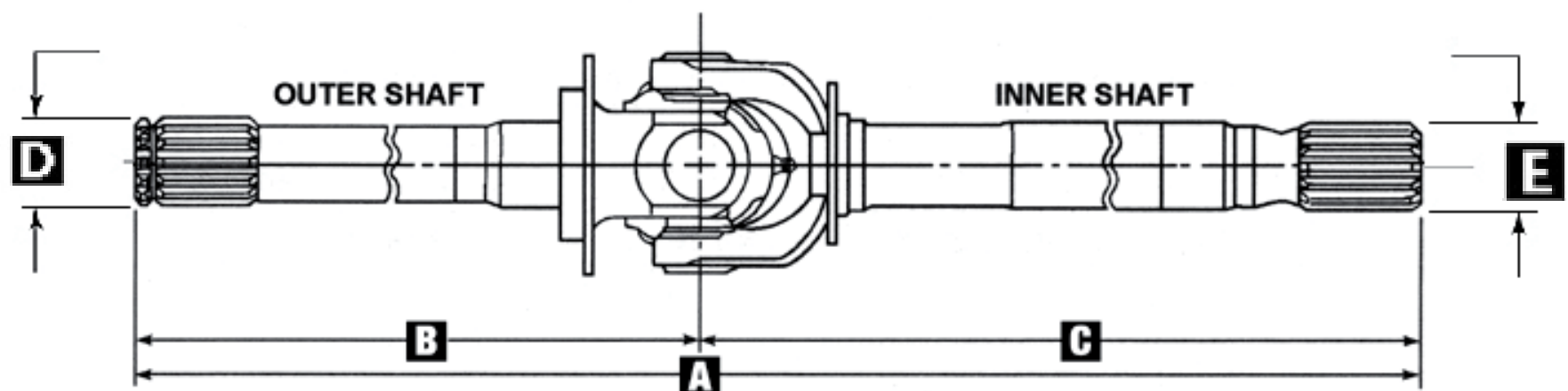


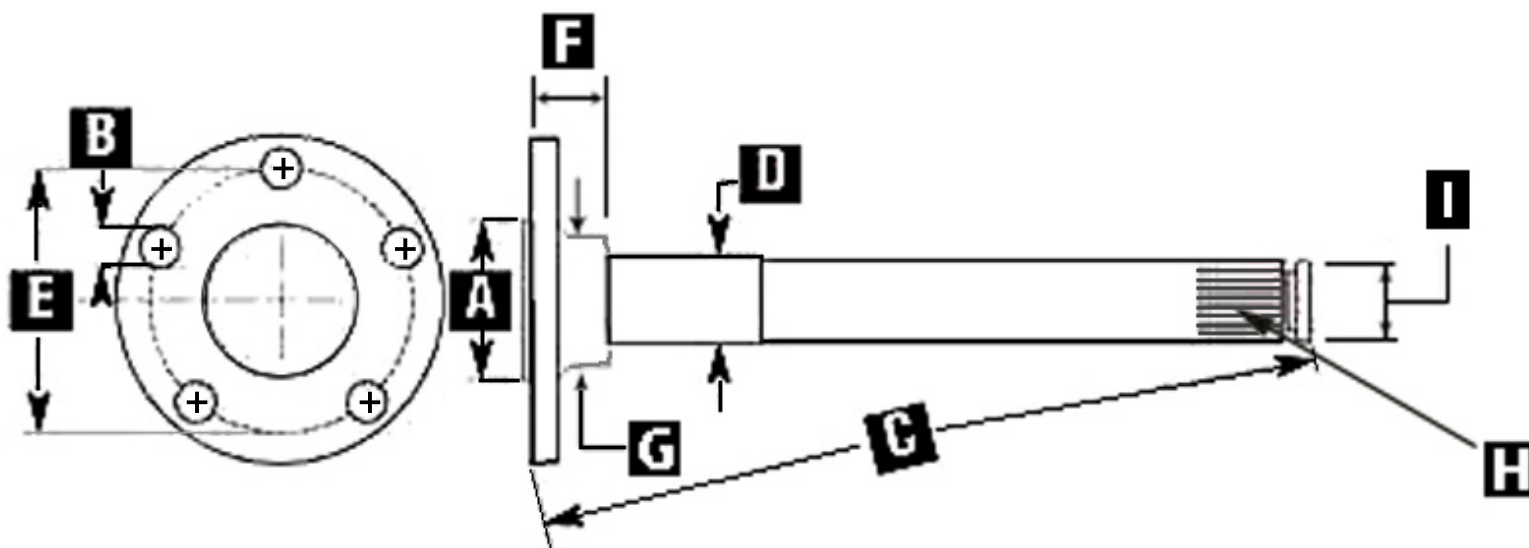
How to Measure an Axle Shaft

Measuring for Front Axle Length



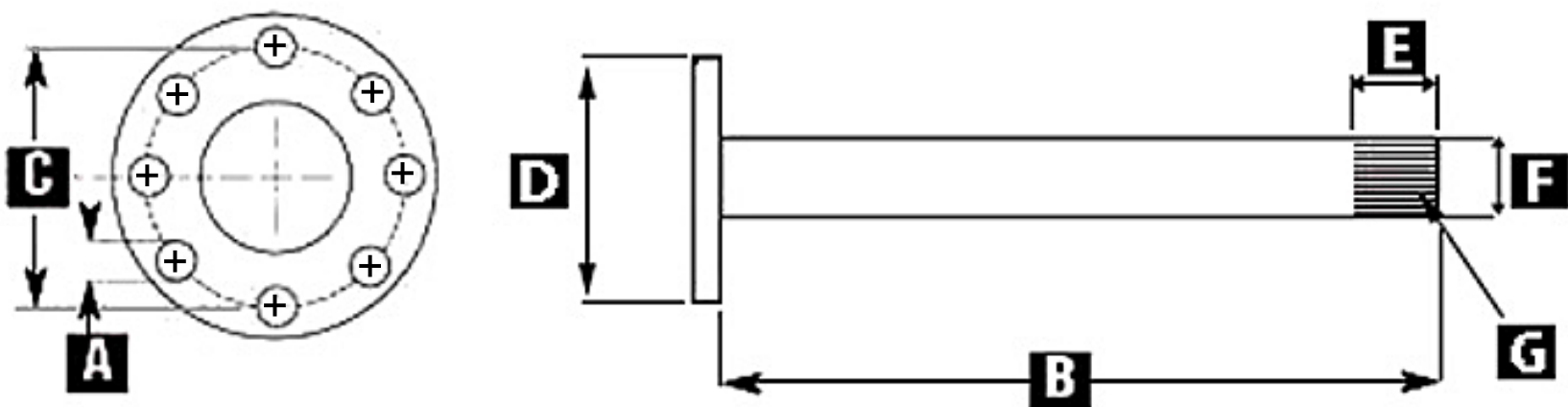
- A - complete assembly
- B - outer shaft length
- C - inner shaft length
- D - diameter & spline count
- E - diameter & spline count

Measuring for Rear Axle Length - Semi Float



- A - brake pilot
- B - stud hole diameter
- C - length
- D - journal diameter
- E - bolt pattern
- F - Bearing seat offset
- G - Seal diameter
- H - spline count
- I - spline diameter

Measuring for Rear Axle Length - Full Float



- A - stud hole diameter
- B - length
- C - bolt pattern diameter
- D - flange diameter
- E - spline length
- F - spline diameter
- G - spline count