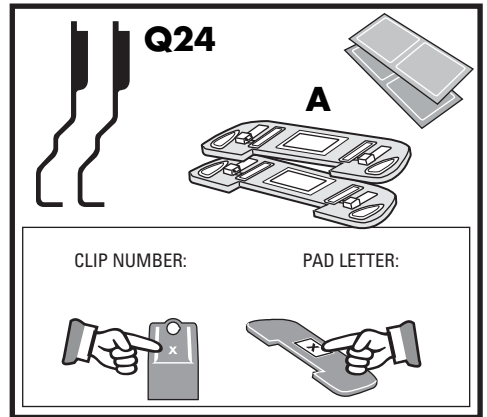
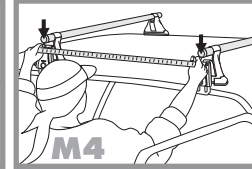
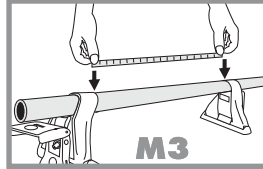
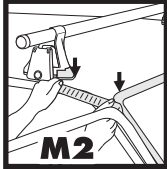
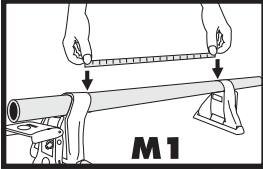


YAKIMA Q24

CLIPS / PADS



CLIP NUMBER:

PAD LETTER:

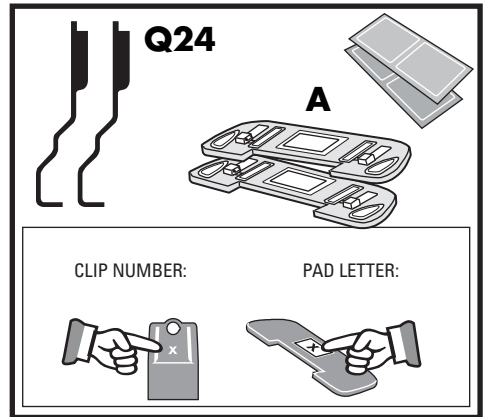
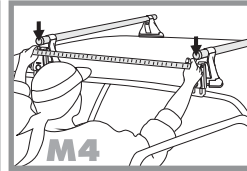
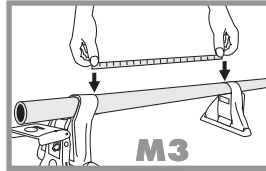
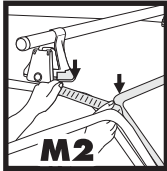
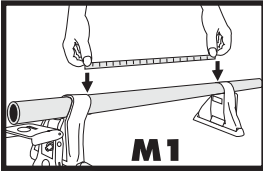


Look at the notes that apply to your vehicle.

		M1	M2	M3	M4	
AUDI						
5000 Sedan	79-83	Q24-A 39-1/4"	4"	Q24-A 38-3/4"	36"	
Coupe GT	82-87	Q24-A 33-3/8"	6"	Q24-A 32-7/8"	33"	
BMW						
5 Series Sedan	89-95	Q24-A 38"	6"	Q24-A 37-1/4"	32"	
7 Series Sedan	88-94	Q24-A 38"	6"	Q24-A 38-3/4"	36"	
BUICK						
Le Sabre 2dr	86-89	Q24-A 43-1/2"	3"	Q24-A 44"	36"	37
Le Sabre 4dr	86-89	Q24-A 43"	3"	Q24-A 43-1/2"	36"	37,113
Le Sabre 4dr Max Crossbar Spread	86-89	Q24-A 43"	3"	Q24-A 43-3/4"	46"	37,113
CHEVROLET						
Cavalier 2dr Coupe	88-94	Q24-A 37-5/8"	4"	Q24-A 37-5/8"	30"	36
Citation	80-85	Q24-A 41"	5"	Q24-A 41-1/4"	36"	37
Nova	86-88	Q24-A 36-1/4"	5"	Q24-A 35-5/8"	33"	
CHEVROLET/GMC TRUCKS						
Blazer, Full Size, 2dr	92-94	Q24-A 46"	4"	Q24-A 46-3/8"	16"	41,78,100
Blazer, Full Size, 2dr with Q Stretch Kit	92-94	Q24-A 46"	4"	Q24-A 47"	36"	78
Lumina Van	90-96	Q61-A 46-7/8"	33"	Q24-A 46-3/8"	24"	41,78,102,103, 104,130
Pickup, Full Size, Std. Cab	88-98	Q24-A 46-3/8"	5"	Q24-A 46-3/8"	18"	78.101
Pickup, Full Size, Ext Cab	88-98	Q24-A 46-3/8"	5"	Q24-A 46-3/8"	18"	78,101
Pickup, Full Size, Ext Cab with Q Stretch Kit	88-98	Q24-A 46-3/8"	5"	Q24-A 48"	36"	78
Suburban	92-99	Q24-A 46-3/8"	6"	Q24-A 46"	36"	78
Suburban Max Crossbar Spread	92-99	Q24-A 46-3/8"	6"	Q24-A 46"	50"	78
Tahoe 2dr	92-99	Q24-A 46"	4"	Q24-A 46-3/8"	16"	41,78,100

YAKIMA Q24

CLIPS / PADS

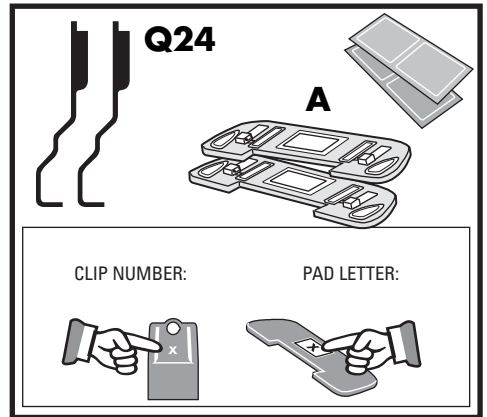
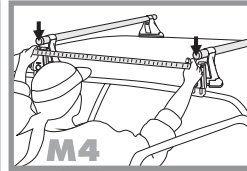
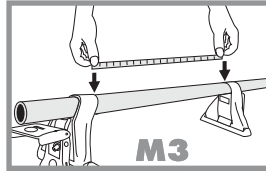
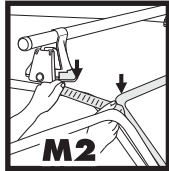
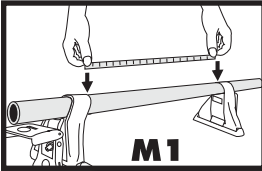


Look at the notes that apply to your vehicle.

CHEVROLET/GMC TRUCKS	M1	M2	M3	M4		
Tahoe 2dr with Q Stretch Kit	95-99	Q24-A 46"	4"	Q24-A 47"	36"	78
Tahoe 4dr	95-99	Q24-A 46 -1/2"	6"	Q24-A 46"	36"	78
Tahoe 4dr Max Crossbar Spread	95-99	Q24-A 46 -1/2"	6"	Q24-A 46"	50"	78
Yukon 2dr	92-99	Q24-A 46"	4"	Q24-A 46 -3/8"	16"	41,78,100
Yukon 2dr with Q Stretch Kit	92-99	Q24-A 46"	4"	Q24-A 47"	36"	78
Yukon 4dr	95-99	Q24-A 46 -1/2"	6"	Q24-A 46"	36"	78
Yukon 4dr Max Crossbar Spread	95-99	Q24-A 46 -1/2"	6"	Q24-A 46"	50"	78
DODGE						
Aries 4dr	81-89	Q24-A 38 -3/4"	4"	Q24-A 39 -1/8"	36"	37
Colt Vista Wagon	84-91	Q24-A 38 -7/8"	4"	Q24-A 38 -3/8"	36"	41
Colt Vista Wagon Max Crossbar Spread	84-91	Q24-A 38 -7/8"	4"	Q24-A 38 -3/8"	70"	41
HONDA						
Civic CRX	84-87	Q24-A 36 -1/8"	4"	Q24-A 36 -3/8"	24"	63,102,103,104
INFINITI						
M30	90-91	Q24-A 36 -7/8"	3"	Q24-A 36 -1/4"	14"	36,63
M30 with Q Stretch Kit	90-91	Q24-A 36 -7/8"	3"	Q24-A 36 -3/8"	30"	36,63
JAGUAR						
XJS Hardtop Coupe	79-95	Q24-A 38 -1/4"	6"	Q24-A 37 -1/4"	32"	36
MAZDA						
323 4dr	86-89	Q24-A 33 -5/8"	6"	Q24-A 33 -1/4"	32"	54
626 2dr	83-87	Q24-A 37 -5/8"	4"	Q24-A 36 -1/4"	35"	
626 4dr	83-87	Q24-A 38 -3/8"	4"	Q24-A 38 -1/4"	36"	113

YAKIMA Q24

CLIPS / PADS



CLIP NUMBER:

PAD LETTER:



Look at the notes that apply to your vehicle.

MAZDA		M1	M2	M3	M4	
RX-7	79-85	Q24-A 33 -5/8"	3"	Q24-A 35 -3/8"	20"	101
RX-7 with Q Stretch Kit	79-85	Q24-A 33 -5/8"	3"	Q24-A 36 -3/8"	24"	102,103,104
MERCEDES						
380/450/560 SL,SLC	79-89	Q24-A 36 -7/8"	2"	Q24-A 37"	18"	101
NISSAN/DATSUN						
300 ZX (Hardtop)	84-89	Q24-A 37 -3/4"	3"	Q24-A 37 -7/8"	18"	36,101
OLDSMOBILE						
Delta 88 / Royale 2dr	86-89	Q24-A 43 -1/2"	3"	Q24-A 44"	36"	37
Delta 88 / Royale 4dr	86-89	Q24-A 43"	3"	Q24-A 43 -1/2"	36"	37
Delta 88 / Royale 4dr Max Crossbar Spread	86-89	Q24-A 43"	3"	Q24-A 43 -3/4"	46"	37
Silhouette Van	90-96	Q61 46 -7/8"	33"	Q24-A 46 -3/8"	24"	40,41,78,102, 114,103,104,130
PLYMOUTH						
Colt Vista Wagon	84-91	Q24-A 38 -7/8"	4"	Q24-A 38 -3/8"	36"	41
Colt Vista Wagon Max Crossbar Spread	84-91	Q24-A 38 -7/8"	4"	Q24-A 38 -3/8"	70"	41
Reliant Wagon	79-89	Q24-A 38 -3/4"	4"	Q24-A 38 -7/8"	36"	40
PONTIAC						
Sunbird 2dr Coupe	88-94	Q24-A 37 -5/8"	4"	Q24-A 37 -5/8"	30"	36
Transport	90-96	Q61 46 -7/8"	33"	Q24-A 46 -3/8"	24"	40,78,102,114, 103,104,130
TOYOTA						
Celica 2dr Coupe	79-85	Q24-A 36 -3/8"	3"	Q24-A 37 -1/8"	30"	
VOLVO						
740/760 Sedan	83-90	Q24-A 42 -1/2"	4"	Q24-A 42 -1/2"	36"	
740/760 Sedan Max Crossbar Spread	83-90	Q24-A 42 -1/2"	4"	Q24-A 42 -1/2"	45"	

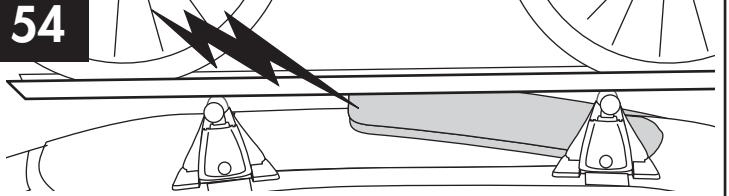


36 Yakima racks are not recommended for convertible tops, T-tops or any type of removable roof panels.

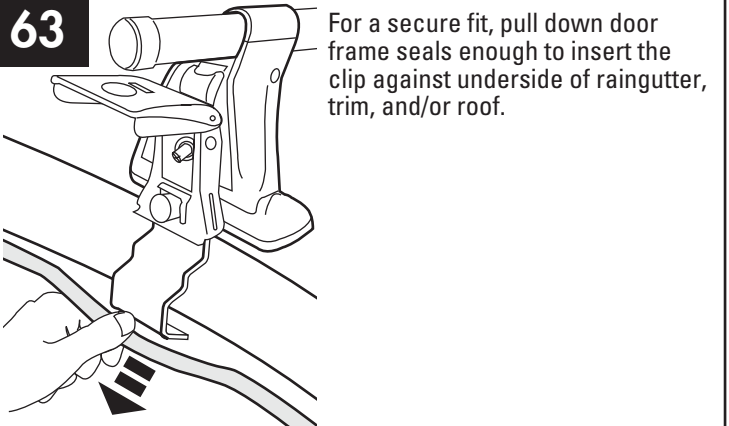
37 Do not install racks on vinyl covered portions of roof.

40 The factory luggage carrier may interfere with the Yakima rack.

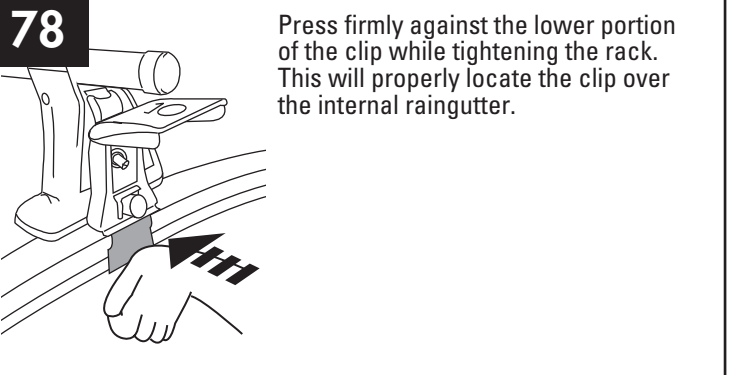
41 The factory luggage carrier may interfere with some accessories.



54 When open, the sunroof may interfere with some accessories.



63 For a secure fit, pull down door frame seals enough to insert the clip against underside of raingutter, trim, and/or roof.



78 Press firmly against the lower portion of the clip while tightening the rack. This will properly locate the clip over the internal raingutter.



100 Up to two bicycles may be carried on this vehicle.

101 Surf/sailboard length is limited to 8' or less on this vehicle.

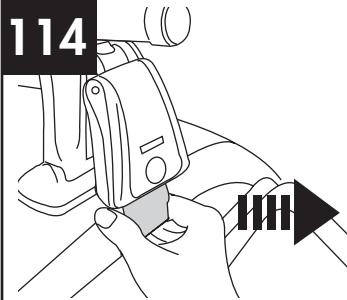
102 Surf/sailboard length is limited to 10' or less on this vehicle.

103 Kayaks must be carried with HullyRollers, LandShark, Mako Saddles, or HullRaisers on this vehicle.

104 Canoes must be 14' or less on this vehicle.

113 The roof and/or trim is very soft. Do not overtighten or overload the rack.

114



Caution! Check clips after installing. Grab each clip and try to pull them away from your vehicle. Pull hard! If the clip moves tighten the adjustment post. If the clip still moves, recheck your measurements between the towers and adjust if necessary. Check clip again.

130

First clips listed are installed on the passenger side. Second clips listed are installed on the driver's side.