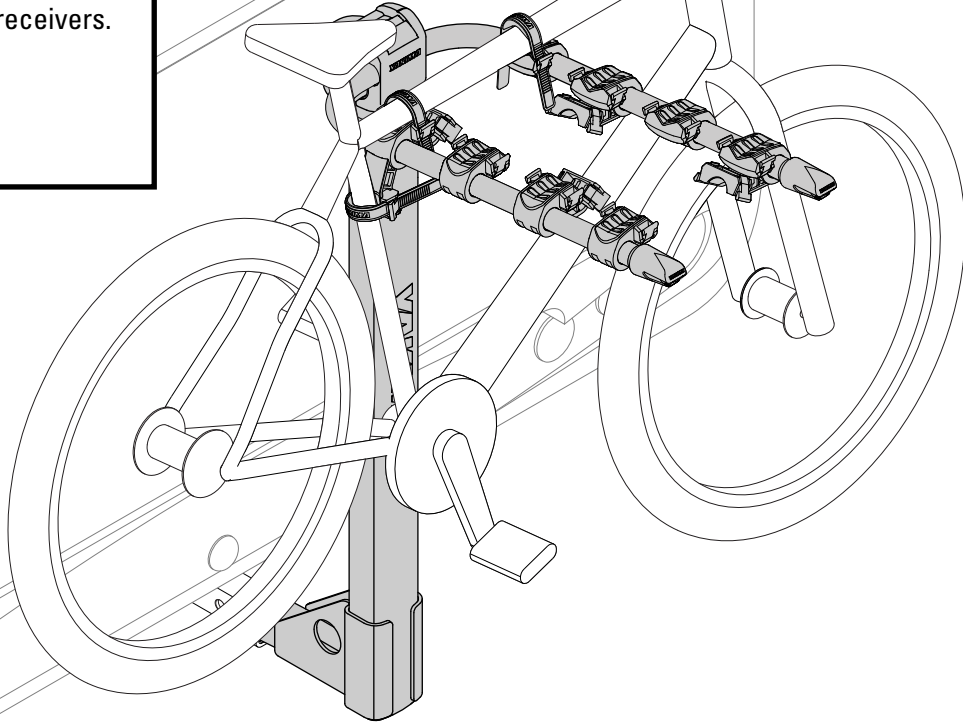


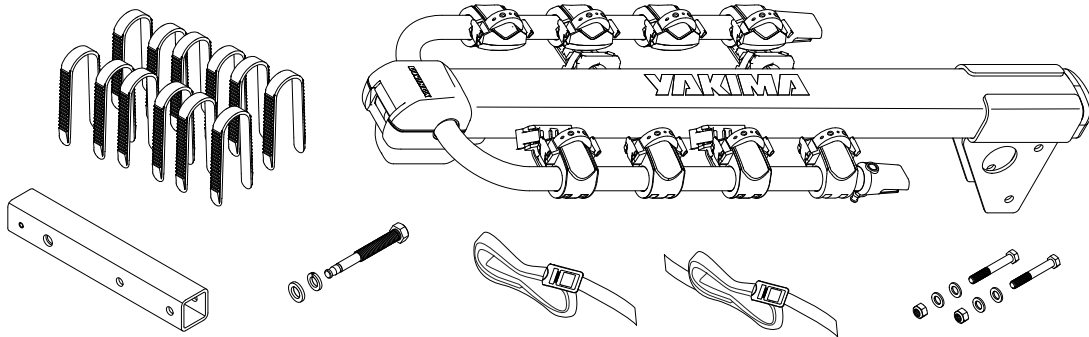
# YAKIMA

# LongHaul


Approved for RV and travel trailers with class III and IV receivers.



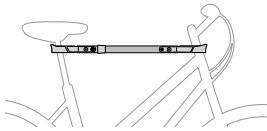
### Contents



### Weight limits

 Per Bike = 37.5 lbs / 17kg

### Accessories

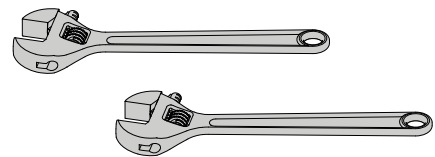


**TubeTop**  
Yakima Part #8002531



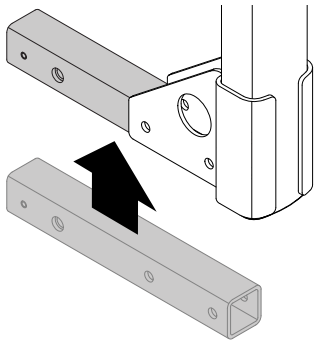
**9ft SKS Cable**  
Yakima Part #8007233

### Tools required



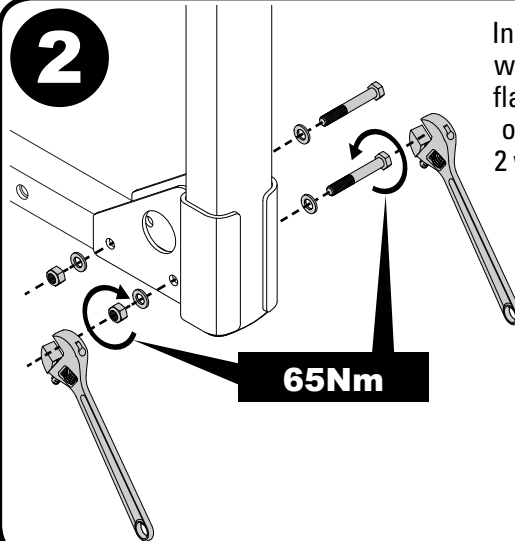
# ASSEMBLE & INSTALL

**1**



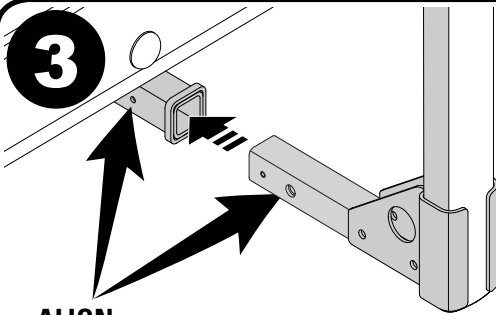
Combine the tongue with the mast, and align the holes. **Threads must face passenger side of vehicle.**

**2**



Install both bolts, and 2 flat washers. Then add 2 more flat washers and both nuts on the opposite side. Use 2 wrenches to fully tighten the hardware.

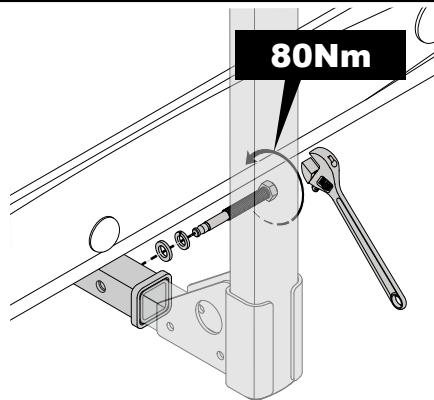
**3**



**ALIGN**

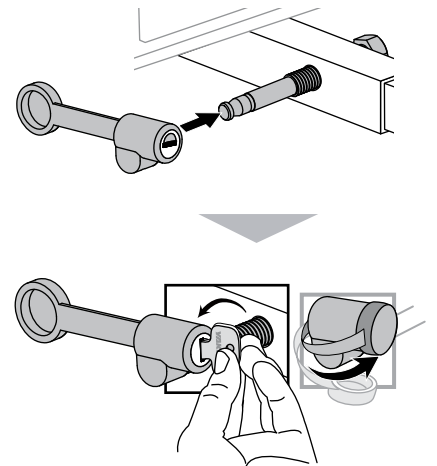
- Insert carrier into hitch receiver.
- The hole in the base must align to the hole in the hitch receiver.

**80Nm**

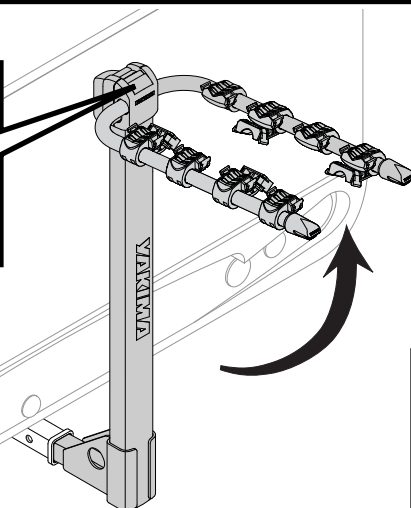
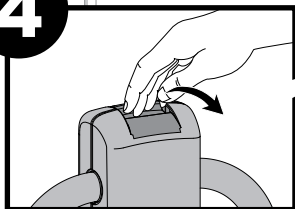


Install lock washer and hitch bolt. Tighten completely.

Install hitchlock.



**4**



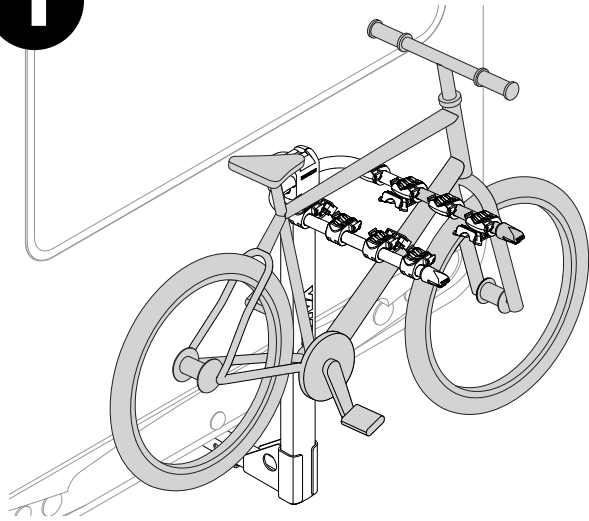
Pull the lever to release the arms from locked down position. Raise arms completely. Arms will lock into position.

**CAUTION**  
Keep fingers  
away from ALL  
moving parts!



# LOADING

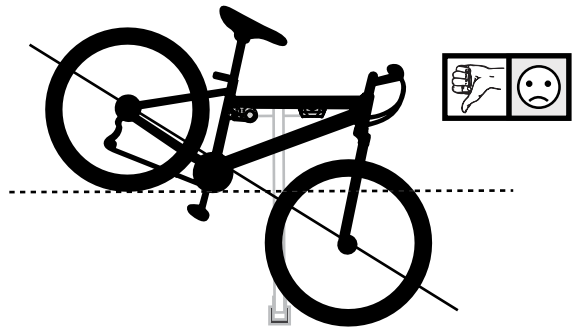
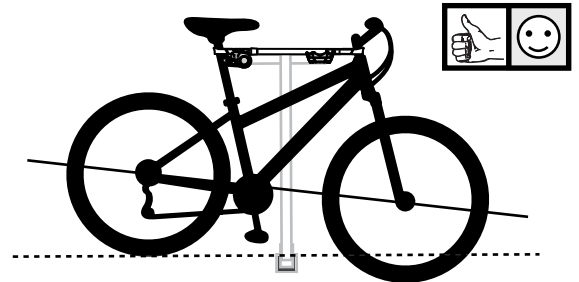
1



Load largest or heaviest bike first. Always use the cradles closest to the vehicle. Max bike weight is 37.5 lbs (17kg).

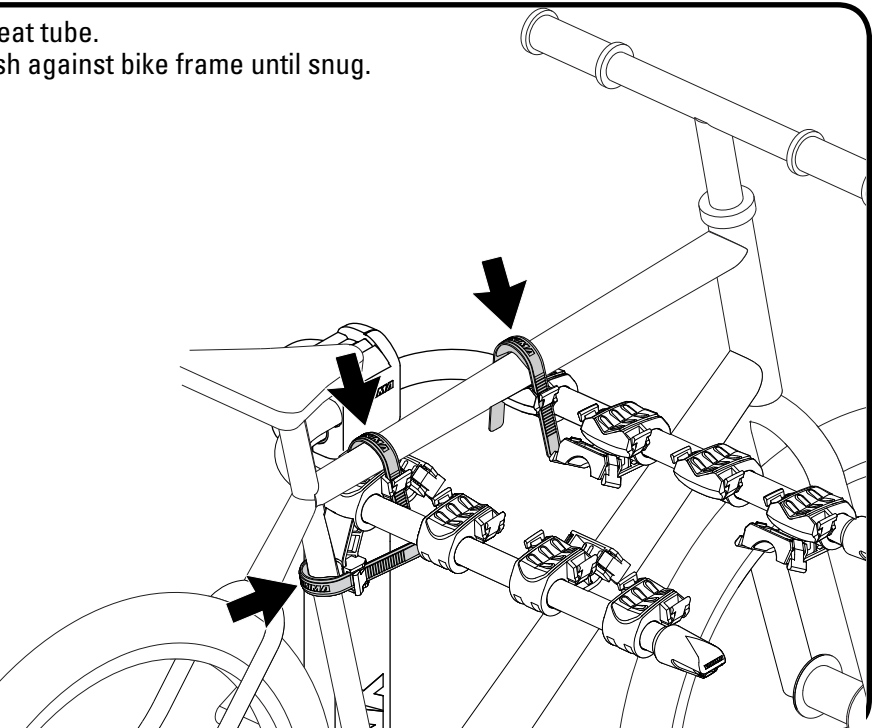
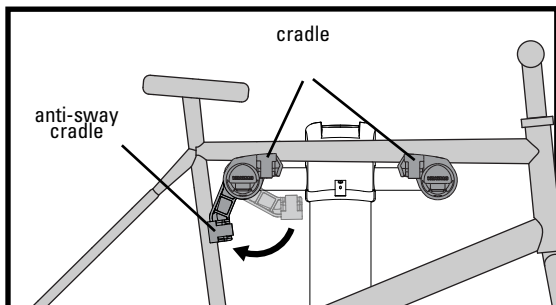


A Yakima TubeTop (see cover page) may be required to carry your bike safely. **Failure to load bikes properly can result in property damage, personal injury, or death.** Bikes should be as level as possible to avoid ground clearance issues and possible ejections.

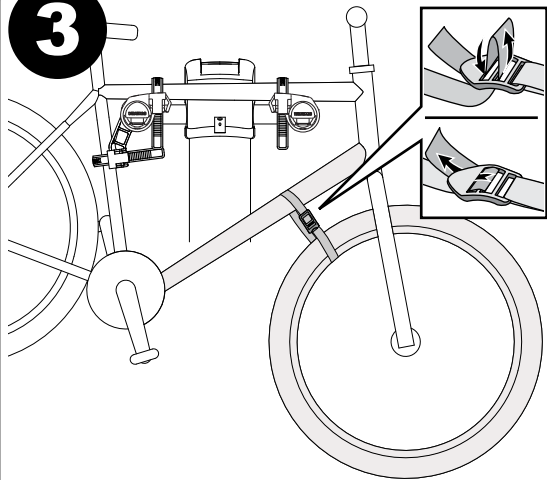


2

- Rotate anti-sway cradle against the seat tube.
- Insert ZipStrips™ into cradles and push against bike frame until snug.
- Each bike requires 3 ZipStrips™.

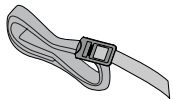


**3**



Use the Front Wheel Strap to secure the front wheel of your first bike.

Load your remaining bikes. Alternate their direction to help avoid interference. Refer to loading steps 1 and 2.

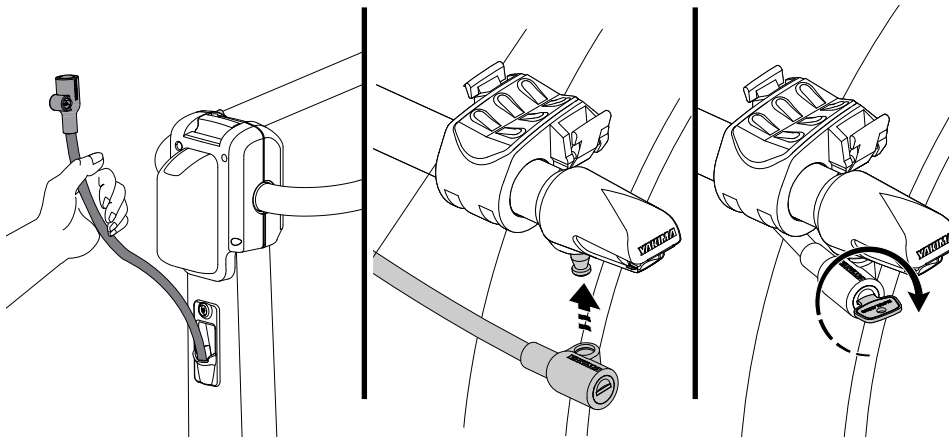


Thread the bike safety strap through each wheel, and around the mast. Tie off the excess strap.

**4**

**Lock up your bikes.**

Access lock cable at rear of mast.

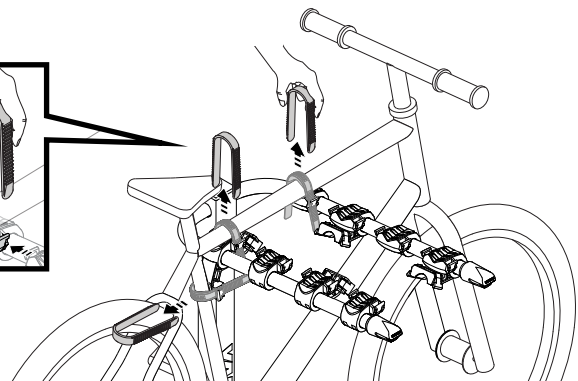
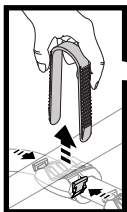


Thread the cable through your bike frames, and lock it to the post.

**UNLOADING**

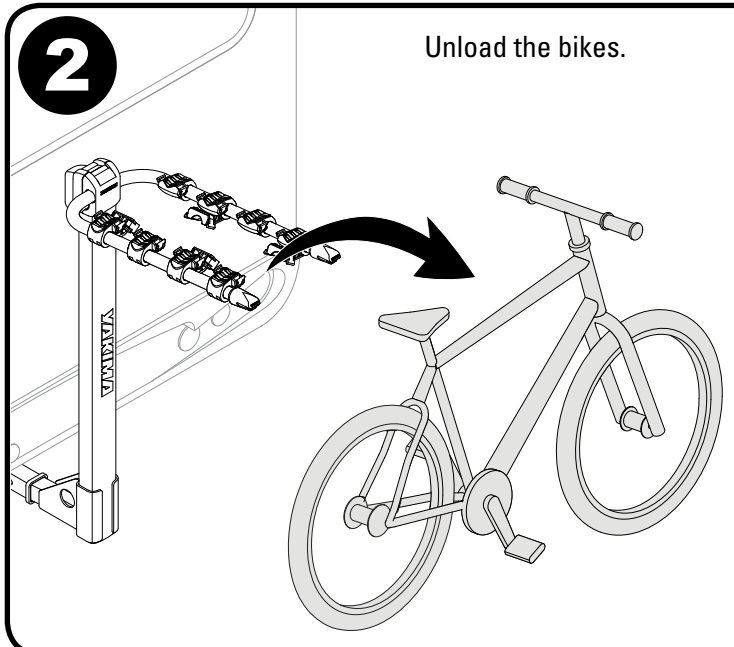
**1**

Press the release tabs on either side of the cradles and remove the ZipStrips™.



**2**

Unload the bikes.



## REMOVAL

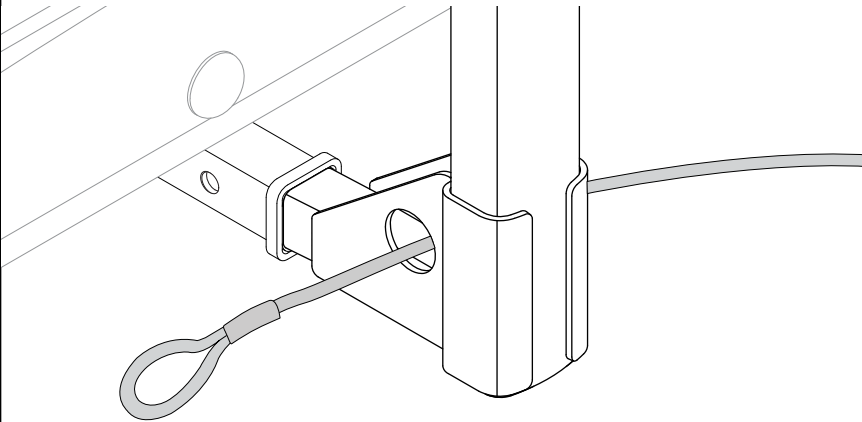
1. Remove safety strap.
2. Unload the bikes.
3. Remove the hitch pin.
4. Remove the carrier from the hitch.
5. Store LongHaul in a safe place.

## HITCH RECEIVER

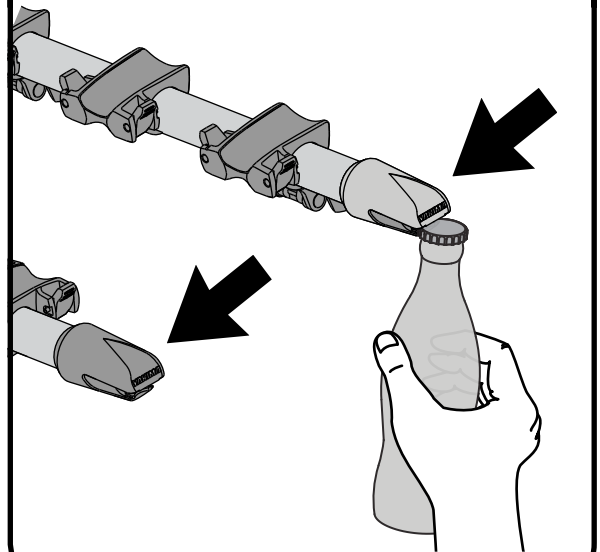
This product is designed for class III and IV receivers. If you do not know the capabilities of your hitch receiver, consult an automotive professional.

### LOCK POINT

If you wish to use your own locking cable (we recommend our 9ft SKS Cable Yakima Part #8007233) use this lock point.



### BOTTLE OPENER



## PERFORM SAFETY CHECKS

- Be sure the ZipStrips™ are hooked securely over the bike frames.
- Replace ZipStrips™ if cracked or worn.
- Be sure all hardware is secured according to instructions.
- Do not let bicycle tires hang near vehicle's hot exhaust.
- Verify that bikes are secured to rack.

## USE

- Off-road driving is not recommended and could result in damage to your vehicle, hitch receiver, or your bikes.
- Do not transport bicycles with attached baby seats, panniers, wheel covers, full bike covers or motors.
- Not for use with tandems and recumbents.
- Always use safety strap when carrying bikes.
- Use caution when entering driveways so that bikes do not contact the ground.
- Drive slowly over speed bumps 5-10mph (8-16 kph) max.

## INSTALLATION

- Do not install if spare tire causes interference.
- Remove this rack before entering an automatic car wash, and when not in use.
- Ground clearance of 10" or higher recommended.
- Use of hitch splitters, reducers, and extensions are NOT permitted.
- Use of trailer tongue mounted adapters and hitches are NOT permitted.
- Bolt-on bumper hitches must be used on welded steel square bumpers in acceptable condition. Consult an RV dealer if you are not certain about capacity of your bumper.

**KEEP THESE INSTRUCTIONS!**