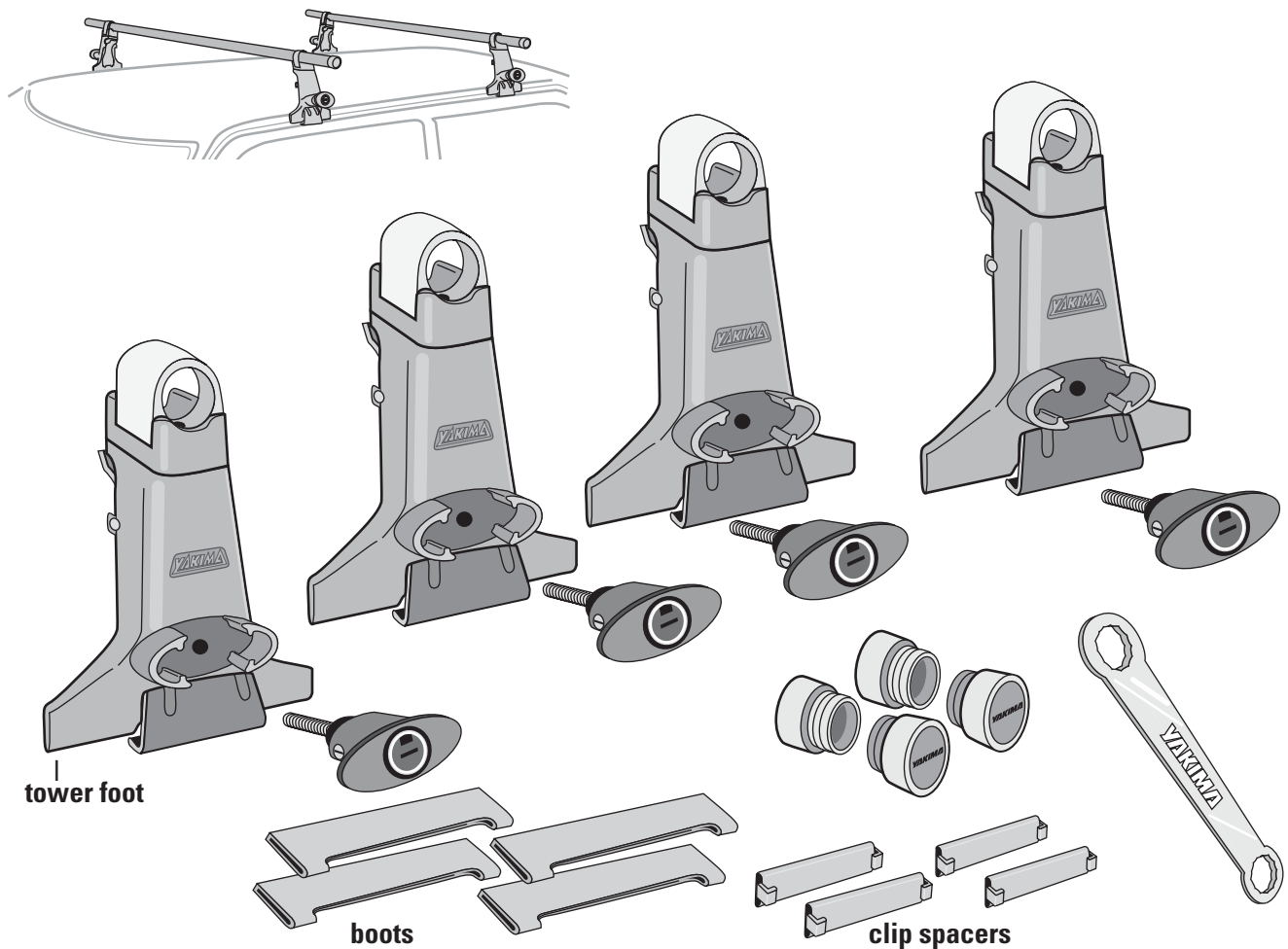
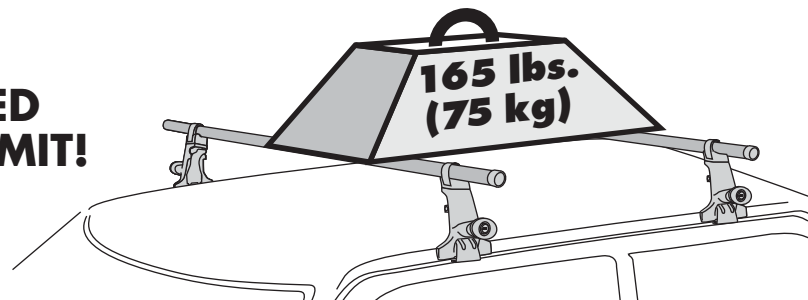


YAKIMA 1A Raingutter Towers



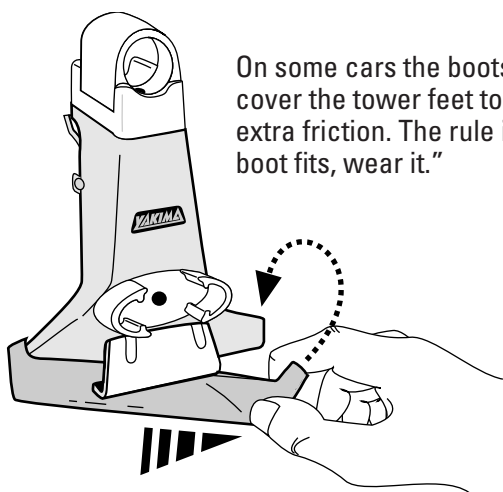
**DO NOT EXCEED
RACK WEIGHT LIMIT!**



! IMPORTANT WARNING!

IT IS CRITICAL THAT ALL YAKIMA [RACKS AND ACCESSORIES](#) BE PROPERLY AND SECURELY ATTACHED TO YOUR VEHICLE. IMPROPER ATTACHMENT COULD RESULT IN AN AUTOMOBILE ACCIDENT, AND COULD CAUSE SERIOUS BODILY INJURY OR DEATH TO YOU OR TO OTHERS. YOU ARE RESPONSIBLE FOR SECURING THE RACKS AND ACCESSORIES TO YOUR CAR, CHECKING THE ATTACHMENTS PRIOR TO USE, AND PERIODICALLY INSPECTING THE PRODUCTS FOR ADJUSTMENT, WEAR, AND DAMAGE. THEREFORE, YOU MUST READ AND UNDERSTAND ALL OF THE INSTRUCTIONS AND CAUTIONS SUPPLIED WITH YOUR YAKIMA PRODUCT PRIOR TO INSTALLATION OR USE. IF YOU DO NOT UNDERSTAND ALL OF THE INSTRUCTIONS AND CAUTIONS, OR IF YOU HAVE NO MECHANICAL EXPERIENCE AND ARE NOT THOROUGHLY FAMILIAR WITH THE INSTALLATION PROCEDURES, YOU SHOULD HAVE THE PRODUCT INSTALLED BY A PROFESSIONAL INSTALLER SUCH AS A QUALIFIED GARAGE OR AUTO BODY SHOP.

1 BEGIN BY INSTALLING THE BOOTS.



On some cars the boots must cover the tower feet to provide extra friction. The rule is, "if the boot fits, wear it."

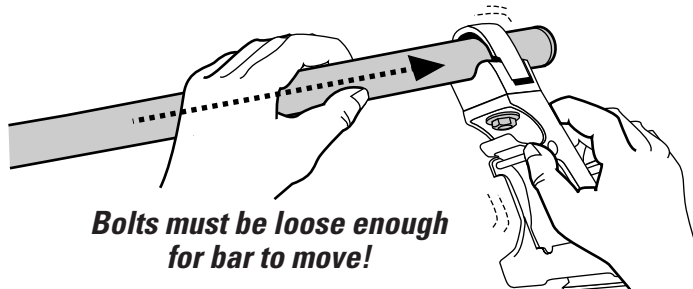
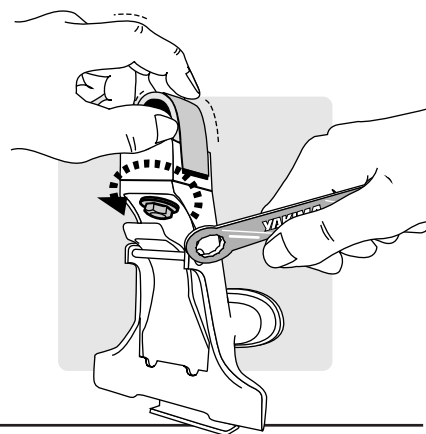
IMPORTANT!

Apply water-insoluble lubricant to moving metal parts.

2 Attach towers to crossbars.

Use the supplied wrench...

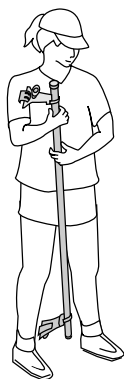
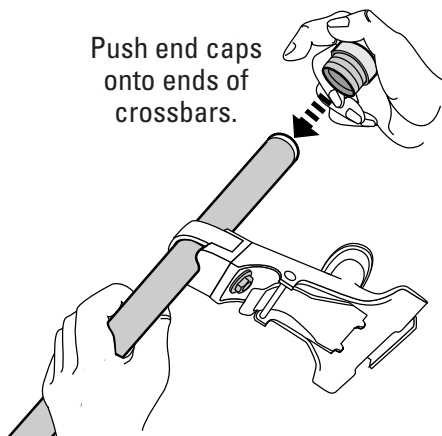
- Loosen the shear-block bolts.
- Slide crossbar through.
- Keep loose.



Bolts must be loose enough for bar to move!

3 INSTALL END CAPS.

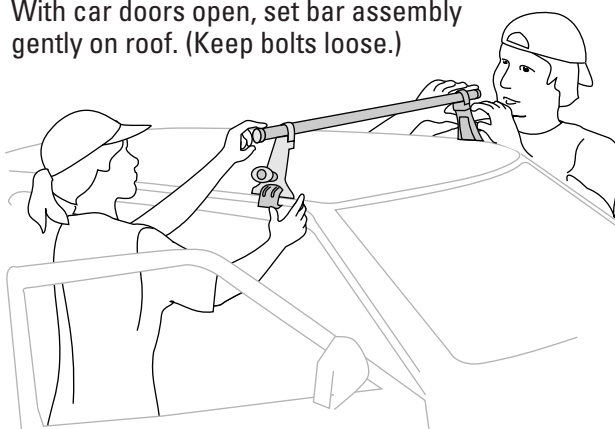
Push end caps onto ends of crossbars.



Secure end cap by pushing ends firmly against a flat surface.

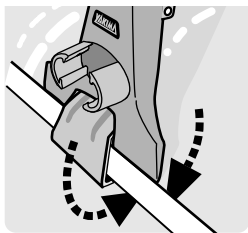
4 PLACE ON CAR; A FRIEND CAN HELP.

With car doors open, set bar assembly gently on roof. (Keep bolts loose.)



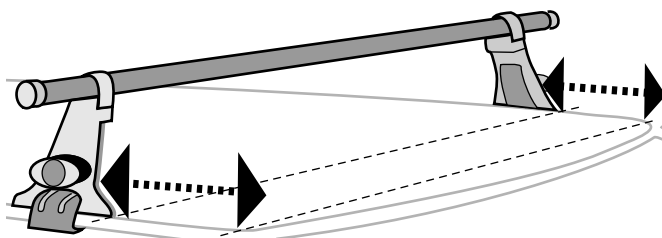
5

Tower feet must rest inside rain gutter. Clips fit outside the rain gutter.



6

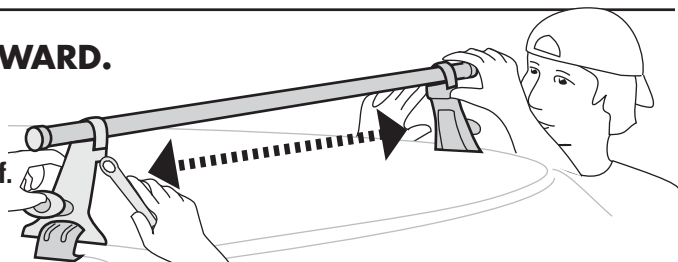
MEASURE EQUAL DISTANCE TO WINDSHIELD.



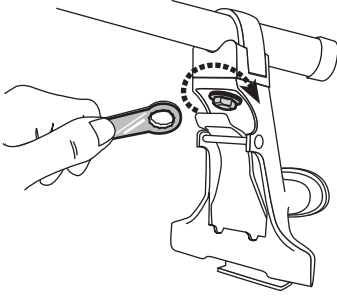
7

PULL TOWERS OUTWARD.

- Keep vertical!
- Pull towers outward to prevent contact with roof.

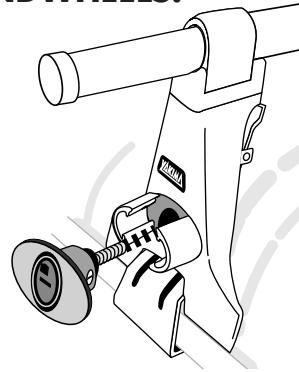


8 Tighten bolts using supplied wrench.

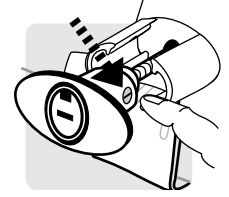


9 ATTACH HANDWHEELS.

- Screw the handwheels straight into the threaded holes in the towers.
- Tighten firmly. Do not over tighten.



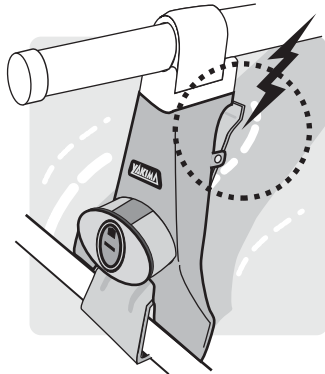
Gold pillar screw must be in all the way for complete turning.



10 WHILE TIGHTENING HANDWHEELS, DO NOT LET TOWERS LEAN INTO ROOF.

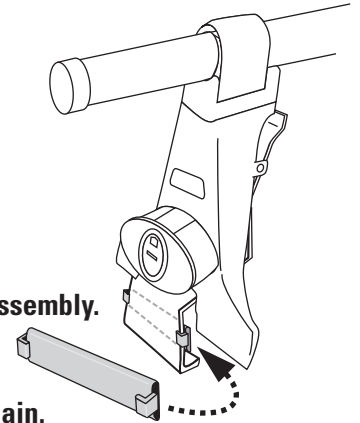
If this occurs:

- Loosen handwheels and bolts.
- Pull towers outward.
- Tighten bolts and handwheels.



IF TOWERS STILL CONTACT ROOF:

- With car doors open, loosen handwheels and remove bar assembly.
- Install clip spacers.
- Keeping bolts loose, set bar assembly gently on roof again.

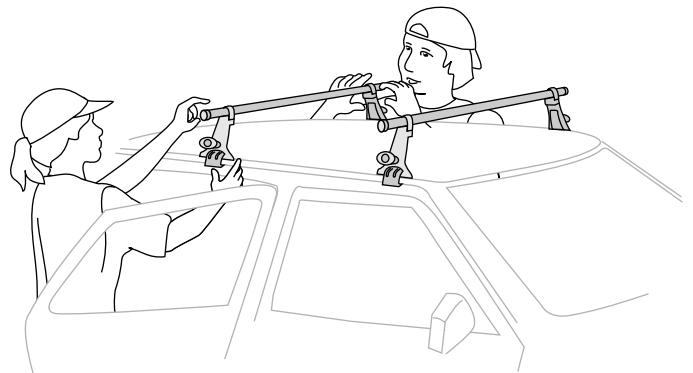


11 REAR INSTALLATION:

- If you have doors...open them!
- Repeat Steps 1 through 9 for the rear crossbar.

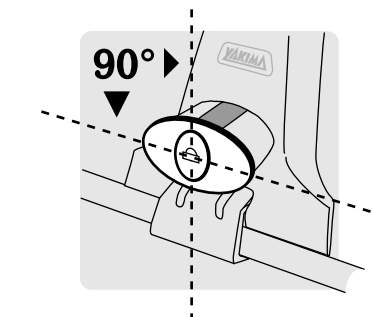
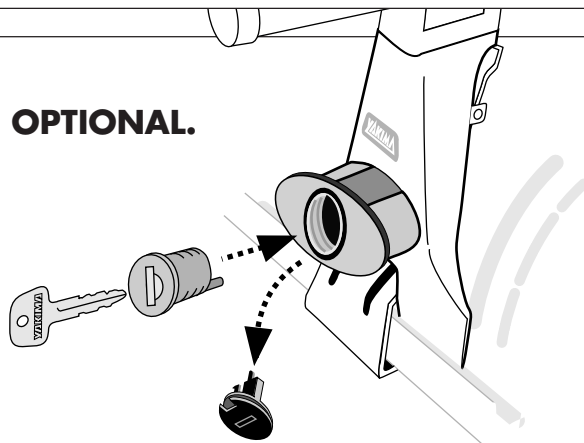
CROSSBAR SPREAD:

The distance between the crossbars is determined by the accessories you wish to carry. The Crossbar Spread Table (Fit List) will tell you how much crossbar spread your accessories require.



12 LOCKABILITY: LOCK CORES ARE OPTIONAL.

If you have purchased SKS® Lock Cores, install them now. Follow directions that came with lock cores.



Handwheels must be horizontal during installation.



CHECK YOUR RACK!

- Grab each crossbar end.
- Pull side to side.
- If anything moves, loosen handwheels and bolts, and readjust.

BE SURE ALL HARDWARE IS SECURE BEFORE DRIVING AWAY!



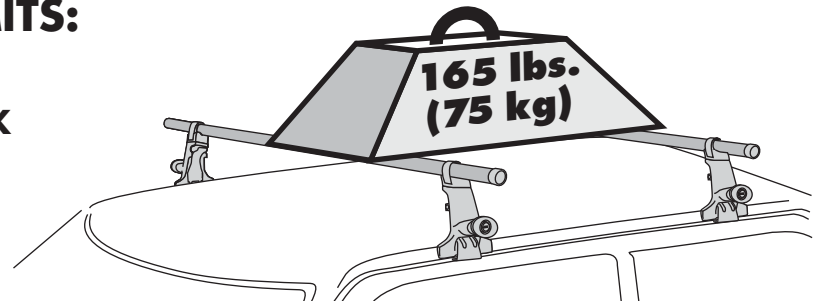
WARNING

- Do not re-install your rack system on any vehicle other than the one for which it is intended.
- Car door should close without interference. If contact occurs, loosen bolts and adjust towers. **KEEP TOWERS VERTICAL.**



MAXIMUM LOAD LIMITS:

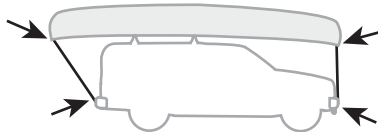
DO NOT EXCEED RACK WEIGHT LIMIT!



MAINTENANCE

Use non-water soluble lubricant on bolts. Use a soft cloth with water and mild detergent to clean plastic parts.

Always tie down long loads at front and rear.



NOT RECOMMENDED FOR USE WITH DRIVE THROUGH CAR WASHES.



WARNING

Attachment hardware can loosen over time. Check before each use, and tighten if necessary. Failure to perform safety checks can result in property damage, personal injury, or death.



This product is covered by YAKIMA's "Love It Till You Leave It" Limited Lifetime Warranty

KEEP THESE INSTRUCTIONS!