



FORGED BILLET ALUMINUM D8 CORVETTE REPLACEMENT CALIPERS*

Caliper Highlights:

D8 calipers are a direct bolt-on replacement for the factory original calipers on all 1965-82 Chevrolet Corvettes. Forged billet aluminum bodies, stainless steel pistons, and competition style high-temperature seals put an end to the rust, bore pitting, and seal failures that plague the OE cast iron caliper design. D8 calipers provide low-maintenance performance and reliability for the Sunday afternoon driver, with a huge weight savings and high temperature durability for the tracks.



D8-4 Front Caliper Shown in Black Powder Coat Finish

D8 calipers mount in the stock location over stock rotors, and use the original type D8 brake pads. They fit snugly inside any 1967 and later year production steel rally wheel, as well as most of the later year optional alloy wheels. Other wheels, including the 1965-66 production steel 5.50" wide "JK" production code wheels and some aftermarket alloy replica wheels, will require a 3/16" or thicker wheel spacer for clearance. The piston volumes of the D8-4 and D8-6 have both been matched to the original caliper piston volumes to maintain the original front to rear brake bias and full compatibility with the output of the OE master cylinder. Only the flex lines that connect the caliper to the hard line fittings on the chassis need to be replaced to install the D8-4 on any car.

D8 forged billet aluminum caliper bodies are the product of Wilwood's in-house FEA design and 3-D modeling technology. With its unyielding strength and superior piston design, the D8-4 and D8-6 calipers generate positive pedal response and high clamping efficiency with a substantial weight savings over the OE calipers. As compared to the individual weight of 13.2 pounds each for the OE calipers, a full set of D8-4 calipers reduces unsprung suspension weight by 29 pounds.

Every D8 caliper is assembled with stainless steel pistons for corrosion resistance and to delay the heat transfer from the pad into the caliper body, fluid and seals. The aluminum body itself provides cooler running temperatures through faster heat dissipation. Cooler operating temperatures translate into longer service life for road or track. For extreme and sustained high temperature competition, D8 calipers can also be custom built with Wilwood's exclusive Thermlock pistons for the ultimate in thermal protection and reliability. To round out the package, the calipers are fitted with our stainless steel SRS bridge wear plates to dampen noise and prevent excessive wear from pad gouging at the caliper bridge.

D8 calipers can be run with any OE replacement pad, or optimized for street or track with one of Wilwood's five optional pad compounds. Three caliper finishes, including clear anodized on the base model, and optional gloss red or black powder coat are available to match the personal preference and style for all types of applications.

D8-6 FRONT CALIPER ORDERING INFORMATION:

BORE SIZE	DISC WIDTH	CLEAR ANODIZED P/N (R/L)	BLACK P/N (R/L)	RED P/N (R/L)
1.88/1.38/1.25" 47,8/35,1/31,8 mm	1.25" 31,8 mm	120-11711/12	120-11711/12-BK	120-11711/12-RD

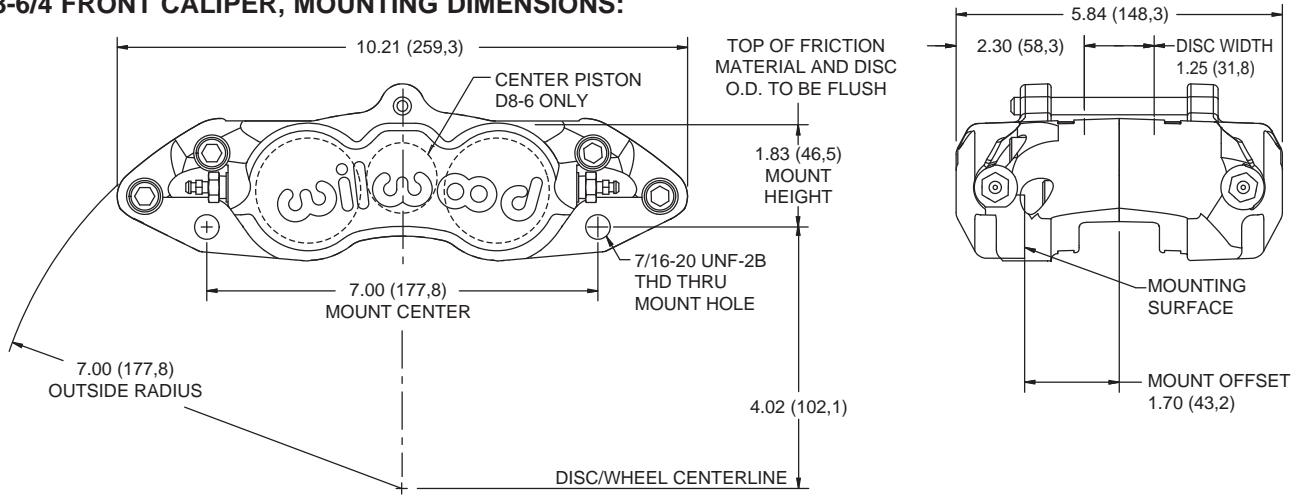
D8-4 FRONT CALIPER ORDERING INFORMATION:

BORE SIZE	DISC WIDTH	CLEAR ANODIZED PART NUMBER	BLACK PART NUMBER	RED PART NUMBER
1.88" 47,8 mm	1.25" 31,8 mm	120-10525	120-10525-BK	120-10525-RD

D8-4 REAR CALIPER ORDERING INFORMATION:

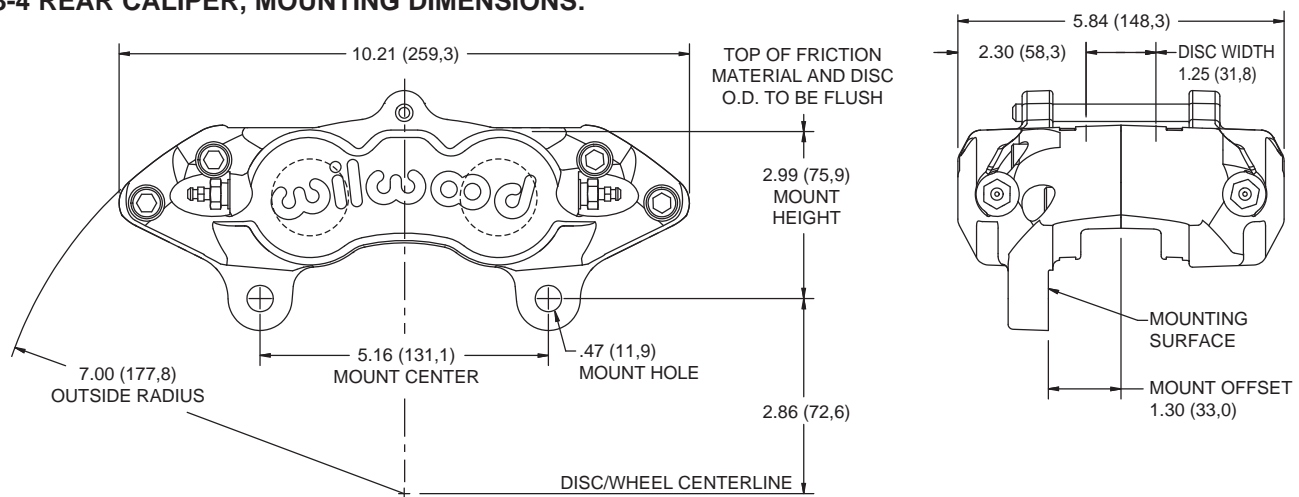
BORE SIZE	DISC WIDTH	CLEAR ANODIZED PART NUMBER	BLACK PART NUMBER	RED PART NUMBER
1.38" 35,1 mm	1.25" 31,8 mm	120-10526	120-10526-BK	120-10526-RD

D8-6/4 FRONT CALIPER, MOUNTING DIMENSIONS:



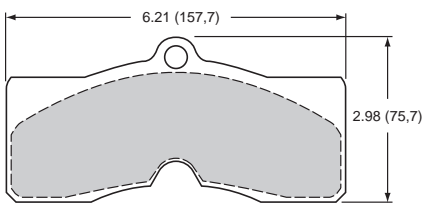
NOTE: DIMENSIONS FOR USE WITH 1965-82 STOCK FRONT CORVETTE ROTOR, 11.75 (298,5) X 1.25 (31,8) • INLET FITTING: 1/8-27 NPT

D8-4 REAR CALIPER, MOUNTING DIMENSIONS:



NOTE: DIMENSIONS FOR USE WITH 1965-82 STOCK REAR CORVETTE ROTOR, 11.75 (298,5) X 1.25 (31,8) • INLET FITTING: 1/8-27 NPT

D8 CALIPER, TYPE D8 PAD DIMENSIONS AND ORDERING INFORMATION:



AXLE SET P/N

150 - 10546K
 150 - 10547K
 15A - 6202K
 15E - 8300K
 15Q - 8623K
 150 - D0008K

PAD TYPE / COMPOUND

D8 10 BP-10 Smart Pad
 D8 20 BP-20 Smart Pad
 D8 A PolyMatrix
 D8 E PolyMatrix
 D8 Q PolyMatrix
 D8 PM ProMatrix

D8-6 ORDERING INFORMATION, USER SERVICEABLE COMPONENTS:

CALIPER PART NO.	PISTON	SQ RING (6 PK)	BLEED SCREW KIT (4 PK)	BODY SEAL (EA)	BRIDGE WEAR PLATE (EA)	PAD RETAINER CLIP PIN (EA)	PAD RETAINER PIN
120-11711	200-7521 (1.88") 200-7516 (1.38") 200-7514 (1.25")	130-11939	220-0627	210-2582	300-10523	310-3634	180-10524
120-11712	200-7521 (1.88") 200-7516 (1.38") 200-7514 (1.25")	130-11939	220-0627	210-2582	300-10523	310-3634	180-10524

D8-4 ORDERING INFORMATION, USER SERVICEABLE COMPONENTS:

CALIPER PART NO.	PISTON	SQ RING (4 PK)	BLEED SCREW KIT (4 PK)	BODY SEAL (EA)	BRIDGE WEAR PLATE (EA)	PAD RETAINER CLIP PIN (EA)	PAD RETAINER PIN
120-10525	200-7521 (1.88")	130-11197	220-0627	210-2582	300-10523	310-3634	180-10524
120-10526	200-7516 (1.38")	130-2658	220-0627	210-2582	300-10523	310-3634	180-10524