



2015 **AMBER**

Professional Warning & Illumination



All Whelen lenses and domes are hard-coated to minimize environmental damage from the sun, salt and road chemicals

Table of Contents

Beacons
3-8

Directional Lights
9-11

Mini Lightbars
12-17

Lightbars
18-23

Traffic Advisors
24-26

Lightheads
27-45

Work Lights
46-58

Controls
59

Flashers
60

Wing Plow Lighting
60

Back-Up Alarms
60

Truck Rack
61

DOT Systems
62-66

Lamp Guide
67

Certifications
68

Warranty
69

Alphabetical Index
70

Application Photos
71



Mini Liberty™ II
Page 17



Mini Legacy®
Page 17



Legacy Series
SOLO™ and DUO™+
Page 18



Liberty II
Page 19



Inner-Edge®
Page 23



Century™ Elite
Page 21



M4 V-Series™
Warning/Perimeter
Page 27



M6 V-Series™
Warning/Perimeter
Page 28



M9 V-Series
Warning/Scenelight
Page 28



Vertex™ Directional Lighting
Page 29



Micron™
Page 30



ION T-Series™
Page 32



ION™
DUO & TRIO™
Page 33



LINSV2
V-Series
Page 34



LINV2
V-Series
Page 34



400 V-Series
Page 35



500 V-Series Warning
Page 36



500 V-Series
Warning/Flood/Puddle light
Page 36



600 Series Rota-Beam™
Page 37



700 Series
Interior Light
Page 43



400
V-Series
Page 62-63



Pioneer
3050 Series
telescoping
poles
Page 54



Pioneer™ Surface Mount
Page 48



Pioneer Quad™
Page 49



Pioneer Side Mount
Page 53



R316 & R416 Series

- SAE Class 1 Certified
- Medium profile, smooth polycarbonate outer dome
- 100% solid-state electronics
- Conformal coated electronics for moisture and vibration resistance
- Cruise light feature
- Available in permanent, magnetic and magnetic/suction mount models
- Synchronizable with up to 8 other Whelen Synchronous products
- Available in Amber and White
- Five year HDP® Heavy-Duty Professional warranty



R316



R416

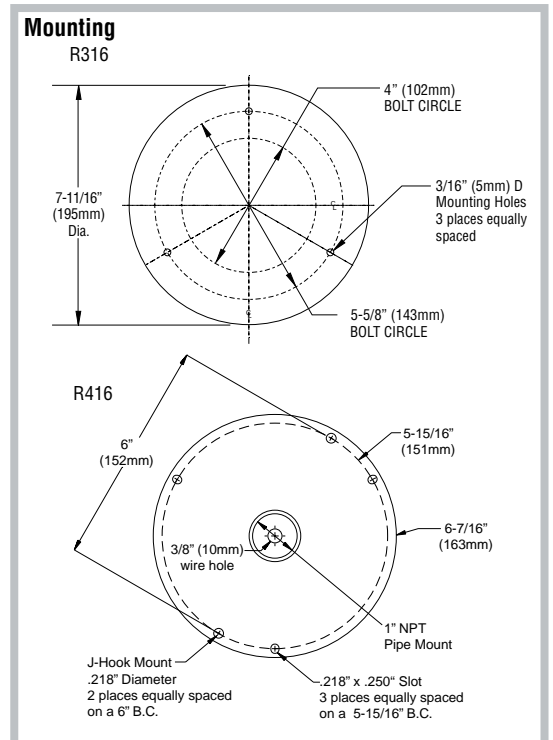
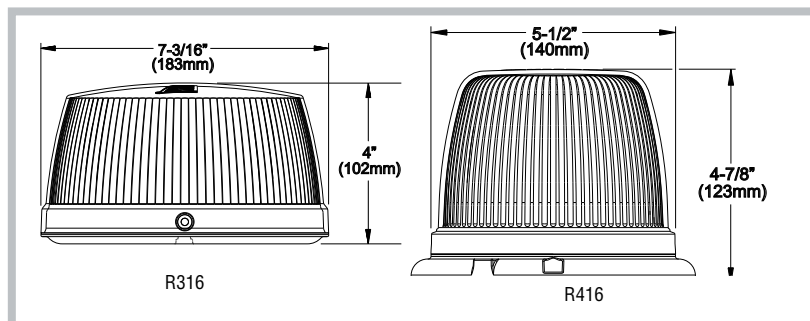
Model No.	Mount	LED Color	Dome Color	Base	Amps	FPM	VDC
R316*F	permanent	single	color	powder coated cast aluminum	2-1/4 amps at 12 VDC	32 Scan-Lock™ with varying rotating flash rates Includes cruise light	12 24 available
R316*M	magnetic						
R316*V	magnetic/suction						
R316**F	permanent	split color front/rear	color				
R316**M	magnetic						
R316**V	magnetic/suction						
R416*F	permanent	single	color				
R416*M	magnetic						
R416*V	magnetic/suction						
R416**F	permanent	split color front/rear	Clear				
R416**M	magnetic						
R416**V	magnetic/suction						

Replace symbol* in model number with desired color. A = Amber, C = White.

Model No.	Option Description
BBKT20	stainless steel shelf mount bracket
MIRROR20	stainless steel West Coast mirror mount bracket
RPHOTO	photocell for Hi/Low power
L360BGB	branch guard kit for R316
L40BG	branch guard kit for R416

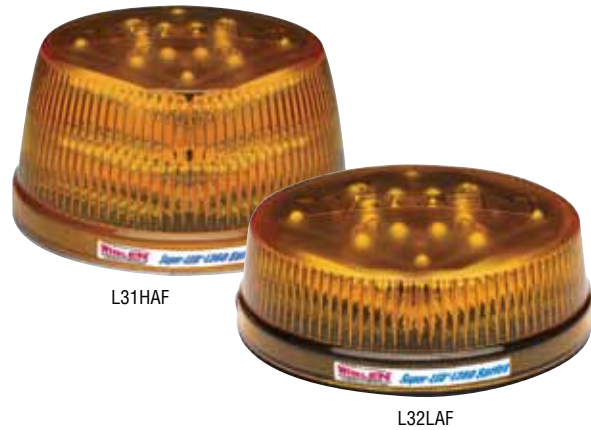
Model No.	Replacement Dome
R316	68-2984063-*0
R416	68-2986501-*0

* Use 1 for Amber, 3 for Clear



L31 & L32 Series

- SAE Class 1 Certified (Amber)
- L31CA models meet California Title XIII (Amber)
- Powder coated die-cast base
- Conformal coated electronics for moisture and vibration resistance
- Alternately or simultaneously flash multiple patterns (Cross-Link™) with up to 8 Whelen Super-LED 360° beacons (perm mount)
- Available in Amber and White
- Five year HDP® Heavy-Duty Professional warranty



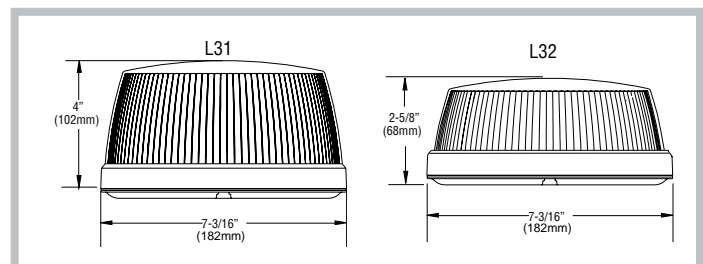
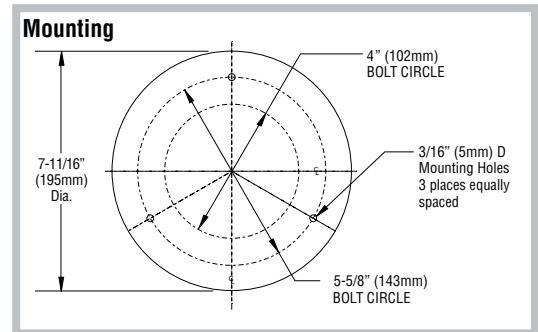
Model No.	Mount	Profile	Base	Amps	FPM	VDC	Control	Certification
L31H*F	permanent	high	die cast aluminum	2 / average 5 / peak	permanent mount 30 built-in Scan-Lock™ flash patterns plus 4 simulated rotating patterns	12	Hi/Low control	SAE Class 1
L31H*M	magnetic						-	
L31H*V	magnetic/suction					-		
L31HAF4	permanent					Hi/Low control		
L31H*FCA	permanent					12	-	California Title XIII
L31H*MCA	magnetic						-	
L31H*VCA	magnetic/suction	low		1 / average 2.5 / peak	magnetic mount 75 SignalAlert™ only	12	Hi/Low control	SAE Class 1
L32L*F	permanent						-	
L32L*M	magnetic					-		
L32L*V	magnetic/suction					-		
L32LAF4	permanent					24	Hi/Low control	

Replace symbol* in model number with desired color. A = Amber, C = White

Model No.	Option Description
L360PMKT	1" NPT pipe mount kit for L31/L32
L360BGB	branch guard kit for L31/L32 allows 1" NPT pole mounting
MIRROR20	West Coast mirror mount brackets
BBKT30	stainless steel shelf mount bracket mounts to flat vertical surface

Replacement Dome
68-2984063-*0 (high)
68-2984099-*0 (low)

* Use 1 for Amber, 3 for Clear



L41 Series

- SAE Class 1 Certified (Amber)
- Meets FAA Advisory Circular No. AC 150/5210-5D
- Medium profile, smooth polycarbonate outer dome
- Fully encapsulated for moisture, vibration and corrosion resistance
- Available in permanent, magnetic and magnetic/suction mounts
- Virtually no RFI/EMI radiation
- Available in Amber and White
- Five year HDP[®] Heavy-Duty Professional warranty



L41AP

Model No.	Mount	Base	Amps	FPM	VDC	Control
L41*P	permanent	cast aluminum powder coated	1.5 peak/0.6 avg. 12 V .75 peak/0.3 avg. 24V	75 SignalAlert™ default 25 total selectable including steady-burn	12/24	photocell Hi/Low on permanent mount only contact factory
L41*M	magnetic					
L41*V	magnetic/suction					

Replace symbol* in model number with desired color. A = Amber, C = White

Model No.	Option Description
BBKT20	stainless steel shelf mount bracket mounts to flat vertical surface
MIRROR20	West Coast mirror mount brackets
L40BG	branch guard



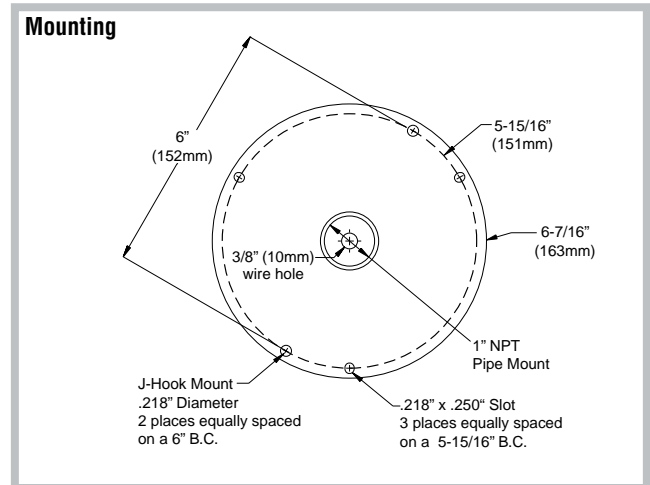
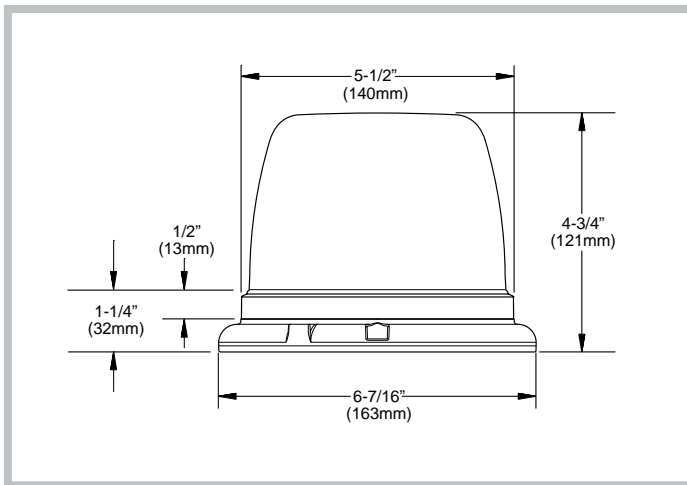
MIRROR20 West coast mirror mount brackets mounts directly on existing mirror brackets



L40BG branch guard.

Replacement Dome
68-2986501-*0

* Use 1 for Amber, 3 for Clear



L10 Series

- SAE Class 1 Certified (Amber)
- High and low dome models
- Available in permanent, magnetic and magnetic/suction mounts
- Virtually no RFI/EMI radiation
- DUO™ technology features different color LEDs in the same module allowing individual control of each color
- Available in Amber and White and DUO Amber/White and Amber/Blue
- Five year HDP[®] Heavy-Duty Professional warranty



L10LAP



L10HFP

Model No.	Mount	Profile	Base	Amps	FPM	VDC	Color	Class			
L10H#P	permanent/pipe/hook	high	polycarbonate	1.0 / peak 0.4/ avg.	24 Scan-Lock™ flash patterns and synchronize feature	12	DUO	Class 1			
L10L#P		low									
L10H*P		high							75 SignalAlert™ default pattern	24	for other colors, contact factory
L10H*P4											
L10H*M	magnetic	12			18 flash patterns available	12	for other colors, contact factory				
L10H*V	magnetic/suction										
L10L*P	permanent/pipe/hook	low			12	18 flash patterns available	24		for other colors, contact factory		
L10L*P4											
L10L*M		magnetic									
L10L*V		magnetic/suction									

Replace symbol* in model number with desired color. A=Amber, C=White Replace # in model number with desired DUO color. F=Amber/White, M=Amber/Blue

Model No.	Option Description
MIRROR20	West Coast mirror mount bracket
BGH	branch guard, high dome
BGL	branch guard, low dome
BBKT20	stainless steel shelf mount bracket, mounts to flat vertical surface
MMK	90 lb. pull magnetic mount kit with 8' straight cord and plug
LSK	single lighted switch (15 amp rated), mounted on bracket, wired and fused



MIRROR20 West coast mirror mount brackets mount directly on existing mirror brackets

Model No.	Replacement Dome
DH2000*	high dome
DL2000*	low dome

*Use A for Amber, C for Clear



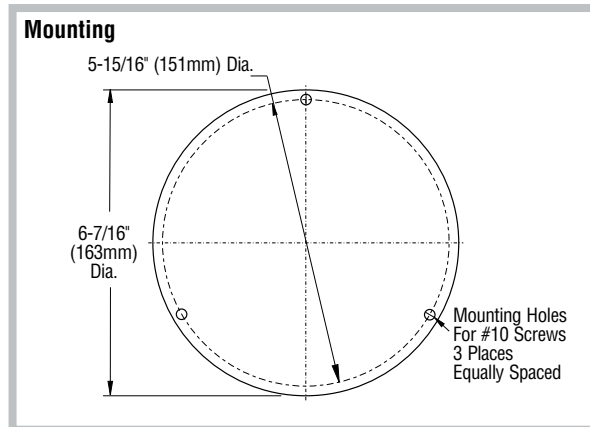
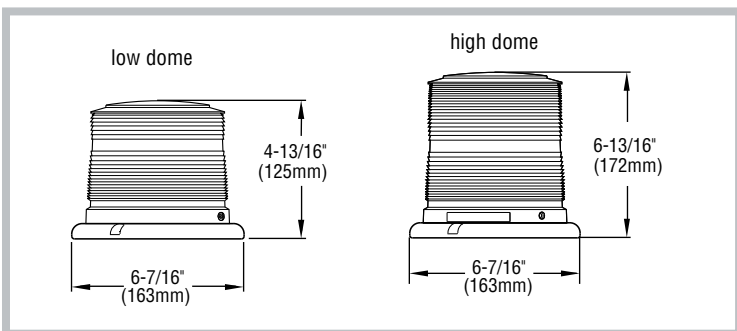
BGH branch guard



MMK magnetic mount kit



LSK lighted switch



L21 & L22 Series

- L21 is SAE Class 1 Certified (Amber)
L22 is SAE Class 2 Certified (Amber)
- Fully encapsulated for moisture, vibration and corrosion resistance
- Available in combination, magnetic and magnetic/suction mounts
- Virtually no RFI/EMI radiation
- Available in Amber and White
- Five year HDP® Heavy-Duty Professional warranty

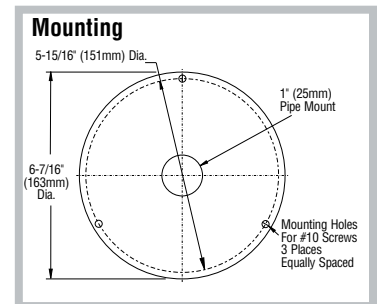
Note: L21 & L22 magnetic and magnetic/suction mounts do not include synchronization or pattern control capabilities.



Model No.	Mount	Profile	Base	Amps	FPM	SYNC.	VDC	Colors	SAE
L21H*P	combination	high	poly-carbonate	1.5 / peak 0.60 / average 12 VDC	25 Scan-Lock patterns including steady-burn	yes	12	Amber & White	J845 Class 1 360° (Amber)
L21H*M	magnetic					-			
L21H*V	magnetic/suction					-			
L21L*P	combination	low		0.75 / peak 0.30 / average 24 VDC		yes	24		
L21L*M	magnetic					-			
L21L*V	magnetic/suction					-			
L21L*P4	combination			yes	24				
L22H*P	combination	high	poly-carbonate	0.65 / peak 0.26 / average 12 VDC	25 Scan-Lock patterns including steady-burn	yes	12	Amber & White	J845 Class 2 360° (Amber)
L22H*M	magnetic					-			
L22H*V	magnetic/suction					-			
L22L*P	combination	low		0.32 / peak 0.13 / average 24 VDC		yes	24		
L22L*M	magnetic					-			
L22L*V	magnetic/suction					-			
L22L*P4	combination			yes	24				

Replace symbol* in model number with desired color. A=Amber, C=White

Model No.	Option Description
BBKT20	stainless steel shelf mount bracket mounts to flat vertical surface
MIRROR20	West Coast mirror mount brackets
MMK	magnetic kit with 8' cord & plug
BGH	branch guard, high dome
BGL	branch guard, low dome
LSK	lighted switch kit mounted on bracket, wired & fused



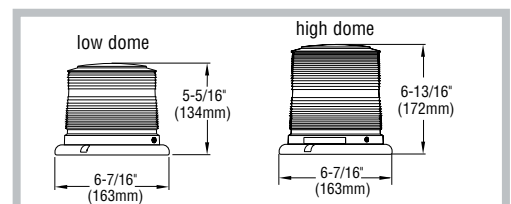
Replacement Dome
DH2000* (High)
DL2000* (Low)



BBKT20 flat vertical surface mounting bracket



MIRROR20 West Coast mirror mount brackets mount directly on existing mirror brackets



*Use A for Amber, C for Clear

L50 Series

- SAE Class 1 Certified (L51 Series)
- SAE Class 3 Certified (L53 Series)
- Twist-off polycarbonate dome
- Available in permanent and magnetic mount
- L51 available in Amber and White
- L53 available in Amber
- Five year HDP® Heavy-Duty Professional warranty



Model No.	Mount	Base	Amps	VDC	FPM	Encap-sulated	Colors	SAE
L51*P	permanent	polycarbonate	1.5 / peak 0.6 / avg	12	15 Scan-Lock™	yes	Amber & White	Class 1
L51*M	magnetic							
L53AP	permanent		0.4 / peak 0.16 / avg		75 SignalAlert only	-	Amber only	Class 3 (Amber)
L53AM	magnetic							

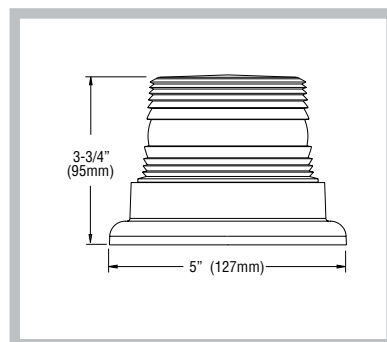
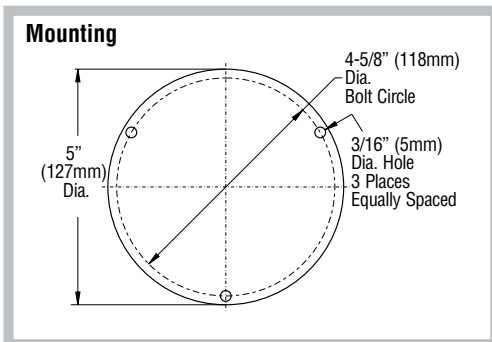
Replace symbol* in model number with desired color. A = Amber, C = White

Model No.	Option Description
MIRROR15	West Coast mirror mount bracket
BBKT15	stainless steel shelf mount bracket mounts to flat vertical surface



Replacement Dome
D1500*

* Use 1 for Amber, 3 for Clear



SpitFire Plus[™]

- **SAE Class 1 Certified**
- LINZ6[™] Super-LED interior dash and deck light
- Fully encapsulated electronics for moisture, vibration and corrosion resistance
- Includes universal bracket, windshield suction cup mount
- Includes integral hood and 10' cord with cigar plug, On/Off switch with LED "On" indicator and Scan-Lock[™] pattern control switch
- Available in Amber and White
- Five year HDP[®] Heavy-Duty Professional warranty



SFP1A

Model No.	Lamp	Amps	VDC	Flash Patterns	Size
SFP1*	LINZ6 Super-LED	0.30/avg 0.75/peak	12	69	1-9/16" (40mm) H x 3-1/2" (89mm) D x 4-3/8" (111mm) L

Replace symbol* in model number with desired color. A = Amber, C = White

SpitFire ION[™]

- **SAE Class 1 Certified**
- ION Super-LED interior dash and deck light
- Fully encapsulated for moisture, vibration and corrosion resistance
- Includes universal bracket, windshield suction cup mount
- Includes integral hood and 8' straight cord with cigar plug, On/Off switch with LED "On" indicator and Scan-Lock[™] pattern switch
- Available in Amber and White
- Five year HDP[®] Heavy-Duty Professional warranty



SFIONA

Model No.	Lamp	Amps	VDC	Flash Patterns	Size
SFION*	ION Super-LED	0.40/avg 1/peak	12	25 Scan-Lock [™]	1-5/8" (41mm) H x 3-3/8" (86mm) D x 5-1/8" (130mm) L

Replace symbol* in model number with desired color. A = Amber, C = White

Avenger[™]

- **SAE Class 1 Certified**
- Single or dual Linear Super-LED interior light
- Snap-on polycarbonate hood
- Mounts via swivel/bail bracket with three suction cups
- AVN models include 10' cord with cigar plug with On/Off switch and pattern selection switch
- Available in Amber and White
- Five year HDP[®] Heavy-Duty Professional warranty



AVN1A

AVNS2AA

Model No.	Lamp	Cable	Amps	VDC	Flash Patterns	Size (with shroud)
AVN1*	single	cigar plug	0.40/avg 1/peak	12	27	2" (50mm) H x 5-1/2" (140mm) D x 5" (127mm) L
AVN2**	dual		0.80/avg 2/peak		54	2" (50mm) H x 5-1/2" (140mm) D x 9-3/4" (248mm) L
AVNS1*	single	synchronized with 4 wire pigtail	0.40/avg 1/peak		34	2" (50mm) H x 5-1/2" (140mm) D x 5" (127mm) L
AVNS2**	dual		0.80/avg 2/peak		69	2" (50mm) H x 5-1/2" (140mm) D x 9-3/4" (248mm) L

Replace symbol* in model number with desired color. A = Amber, C = White

Model No.	Option Description
AVNBKT1	low profile mounting bracket for AVN1
AVNBKT2	low profile mounting bracket for AVN2

Model No.	Option Description
AVNBKT3	visor mounting bracket (2 required for dual unit)
AVNBKT4	adjustable height bracket kit for all models

FlatLighter™

- Visor mount interior light
- Includes Velcro mounting straps
- Includes 8' straight cord with cigar plug
- Available in Amber and White
- Five year HDP® Heavy-Duty Professional warranty



FLLEDAA

Model No.	Lamps	Amps	VDC	Patterns	Size
FLLED**	dual LED	0.8	12	21 flash patterns	4-1/2" (114mm) H x 1-1/4" (32mm) D x 13" (330mm) L

Replace symbol* in model number with desired colors. A = Amber, C = White

SlimLighter™ Super-LED®

- SAE Class 1 Certified
- Super-LED interior light
- Swivel bracket for permanent or suction cup mounting included
- Includes built-in pattern selection button, 10' straight cord w/ cigar plug and On/Off switch with LED "On" indicator
- Available in Amber and White
- Five year HDP Heavy-Duty Professional warranty



SLPMAA

Model No.	Lamp	Amps	VDC	Flash Patterns	Other
SLPMM**	TIR6™ Super-LED®	0.6/avg 1.5/peak	12	21 Scan-Lock™	2" (52mm) H x 1-3/16" (46mm) D x 16-3/8" (416mm) L

Replace symbol* in model number with desired color. A = Amber, C = White

Slim-Miser™

- 5mm LEDs for interior use
- Includes 10' straight cord with cigar plug, On/Off switch and LED "On" indicator
- Swivel mount with 3 suction cups securely hold dash light to windshield minimizing flashback
- Available in Amber
- Five year HDP Heavy-Duty Professional warranty

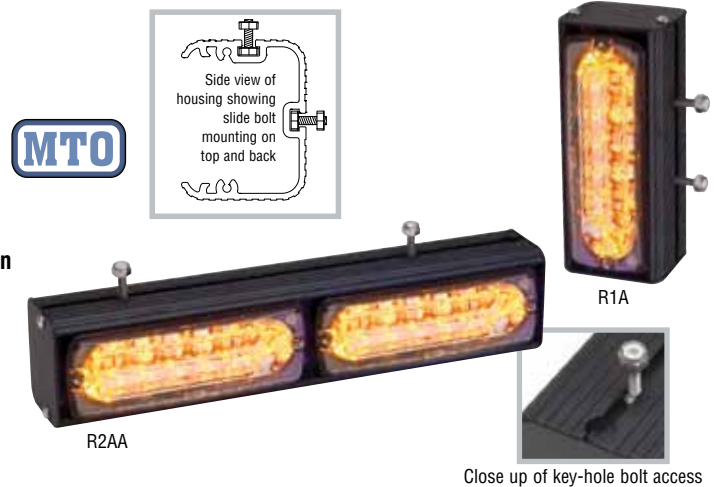


SMLLAA

Model No.	Lamp	Amps	VDC	Flash Patterns	Size
SMLLAA	LED	0.10/avg 0.33/peak	12	18 Scan-Lock	1-5/8" (42mm) H x 2-3/4" (70mm) D x 12-7/8" (326mm) L

Raider™ Series

- SAE Class 1 Certified
- Interior or exterior use
- Pairs of single units may be synchronized to each other or to other Whelen synchronizing products
- Dual units are synchronized together. Each lighthouse has its own Scan-Lock™ wire for alternate or simultaneous flashing the two lighthouses as well as pattern control
- Unique slide bolt housing offers versatile mounting, horizontal, vertical or even upside down
- Available in Amber and White
- Five year HDP® Heavy-Duty Professional warranty



Model No.	Lamps	Amps	VDC	Housing	Cable	FPM	Size
R1*	single 500 Series Linear-LED®	0.16/avg 0.4/peak	12	rugged extruded aluminum	2' 4-C	25 Scan-Lock (seven with phase 1 and phase 2, synchronization, plus eleven other patterns)	2-3/8" (60mm) H x 1-7/8" (48mm) D x 5-1/2" (140mm) L
R2**	dual 500 Series Linear-LEDs	0.32/avg 0.8/peak					2-3/8" (60mm) H x 1-7/8" (48mm) D x 11" (280mm) L

Replace symbol* in model number with desired color. A = Amber, C = White

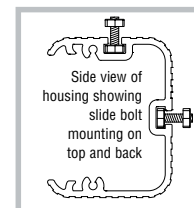
Dominator™ & Dominator Plus™ Series

- SAE Class 1 Certified
- Low profile surface mount housing designed for interior or exterior use
- Choice of TIR3™ or LINZ6™ modules
- Fully encapsulated for moisture, vibration and corrosion resistance
- Internal self-contained electronics
- Slide bolt mount
- Available in Amber with White end flashers on eight module units
- Five year HDP Heavy-Duty Professional warranty



Model No.	# of Lamps	Lamp Type	Amps	VDC	Housing	Cable	Connectors	FPM	Size H x D	Length
D2AA	2	TIR3	0.2A/avg 0.44/peak per module	12	rugged extruded aluminum	12" small dia. 4-C #20 AWG	Molex water-proof	7 flash patterns and steady on mode pairs may be synchronized to each other	1-3/16" (35mm) H x 2-3/16" (55mm) D	7" (178mm)
D4AAAA	4									14" (356mm)
D6AAAAAA	6									21" (533mm)
D800800	8									28" (711mm)
DP2AA	2	LINZ6	0.30/avg 0.75/peak per module	12	rugged extruded aluminum	12" small dia. 4-C #20 AWG	Molex water-proof	7 flash patterns and steady on mode pairs may be synchronized to each other	1-3/16" (35mm) H x 2-3/16" (55mm) D	7" (178mm)
DP4AAAA	4									14" (356mm)
DP600600	6									21" (533mm)
DP800800	8									28" (711mm)

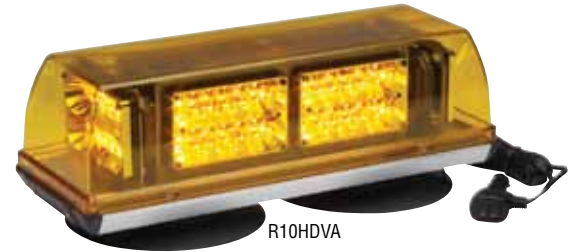
Model No.	Option Description
DBKT1	suction cup mount bracket & cigar plug cord kit for D2 series, customer installed
DBKT3	swivel mount bracket kit for D2 & D4 series only, customer installed
DBKT4	"L" angle mounting bracket kit, customer installed
DBKT6	Hatch mount bracket for 2008-2013 Chevy Tahoe, Interior mount, D8 only



For Dominator and Dominator Plus Traffic Advisors™ see page 24

Responder® HD Series

- SAE Class 1 Certified (Amber)
- Universal permanent mount version easily retrofits most competitive model footprints
- Permanent bolt mount versions include 6' pigtail; magnetic mount and magnetic/suction versions include: 10' straight cord with cigar plug with LED on indicator, On/Off switch and pattern control switch
- Size: 5-1/8" (130mm) H x 6-5/16" (160mm) D x 17-1/4" (438mm) L
- Available in Amber and White
- Five year HDP® Heavy-Duty Professional warranty



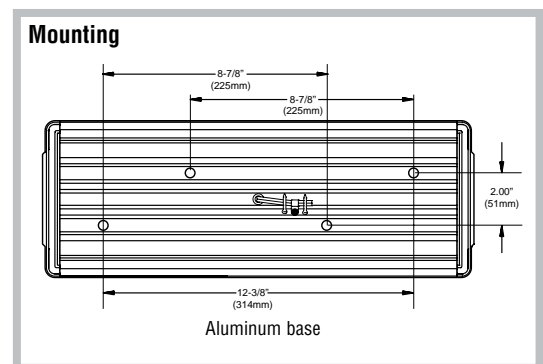
Model No.	Technology	Mount	Amps	Light Output	VDC	FPM	Base	SAE
R10HDP*	Super-LED	permanent	9.0 peak 3.6 average	-	12	12 Scan-Lock™	Aluminum	J845 Class 1 (Amber)
R10HDM*		magnetic				75 SignalAlert™		
R10HDV*		magnetic/suction						

Replace symbol* in model number with desired color. A = Amber, C = White

Model No.	Option Description
RDXMM90	90 lb. pull magnet mount kit with cigar plug
INSTLRDX	installation of RDXMM90 (for permanent mount only)

Model	Replacement Dome
R10HD	68-1181893-*0

* Use 1 for Amber, 3 for Clear



Responder[®] R1LP Series

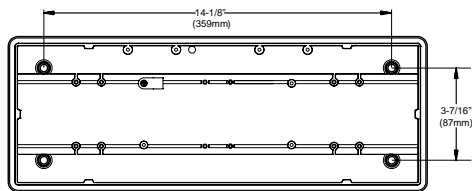
- SAE Class 1 Certified (Amber)
- Super-LED low profile conical CON3™ mini lightbar
- Polycarbonate dome
- Available with extruded aluminum base or polycarbonate base
- Available in permanent, magnetic and magnetic/suction mount models
- Available in Amber and White and DUO Amber/Blue
- Five year HDP[®] Heavy-Duty Professional warranty



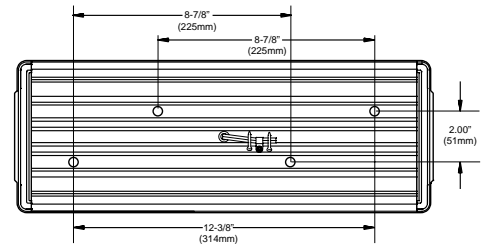
Model No.	Technology	Color	Dome Color	Mount	Base	Amps	VDC	FPM	Size	
R1LPPA	CON3 Super-LED	Amber	Amber	permanent	poly-carbonate	3 peak 1.2 average	12	30 Scan-Lock™ patterns including 4 simulated rotating patterns (perm mount only) ActionScan™ default for magnetic mount only	2-7/8" (74mm) H x 6-5/16" (160mm) D x 17" (432mm) L	
R1LPPCA			Clear							
R1LPMA			Amber	magnetic						
R1LPMCA			Clear							
R1LPVA			Amber	magnetic/suction						
R1LPVCA			Clear							
R1LPHPA			Amber	permanent	aluminum					
R1LPHPCA			Clear							
R1LPHMA			Amber	magnetic						
R1LPHMCA			Clear							
R1LPHVA			Amber	magnetic/suction						
R1LPHVCA			Clear							
R1LPPF		split color Amber/White	Clear	permanent	poly-carbonate					2-7/8" (74mm) H x 6-5/16" (160mm) D x 17" (432mm) L
R1LPMF				magnetic						
R1LPVF				magnetic/suction						

Mounting

Polycarbonate base



Aluminum base



Responder® R2LP Series

- SAE Class 1 Certified (Amber)
- Super-LED low profile linear LIN6™ mini lightbar
- Polycarbonate dome
- Available with extruded aluminum base or polycarbonate base
- Available in permanent, magnetic and magnetic/suction mount models
- DUO™ technology model has different color LEDs in the same module allowing lightbar to flash different colors
- Available in Amber and White and DUO Amber/Blue
- Five year HDP® Heavy-Duty Professional warranty



R2LPPA



R2LPMCA

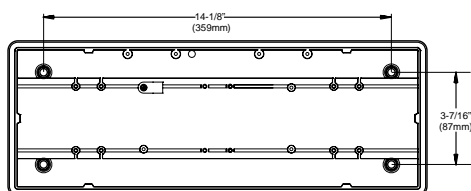


RDLPPAB shown in both Amber and Blue DUO modes

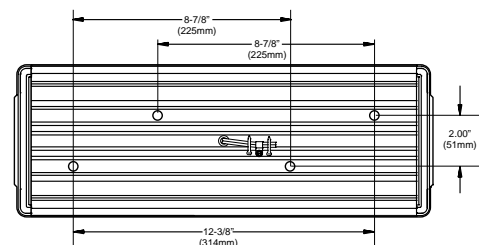
Model No.	Technology	Color	Dome Color	Mount	Base	Amps	VDC	FPM	Size
R2LPPA	LIN6 Super-LED	Amber	Amber	permanent	poly-carbonate	6 peak 2.4 average	12 (24V available in R2LPP R2LPM models)	30 Scan-Lock™ patterns including 4 simulated rotating patterns (perm mount only) ActionScan™ default for magnetic mount only	2-7/8" (74mm) H x 6-5/16" (160mm) D x 17" (432mm) L
R2LPPCA			Clear						
R2LPMA			Amber	magnetic					
R2LPMCA			Clear						
R2LPVA			Amber	magnetic/suction					
R2LPVCA			Clear						
R2LPHPA			Amber	permanent	aluminum				
R2LPHPCA			Clear						
R2LPHMA			Amber	magnetic					
R2LPHMCA			Clear						
R2LPHVA			Amber	magnetic/suction					
R2LPHVCA			Clear						
R2LPPF			split color Amber/White	Clear	permanent				poly-carbonate
R2LPMF	magnetic								
R2LPVF	magnetic/suction								
RDLPPAB	DUO LIN6 Super-LED	DUO Amber/Blue			permanent			12	

Mounting

Polycarbonate base



Aluminum base



Mini Century™ Series

- SAE Class 1 Certified
- Extruded aluminum base
- Standard current switching with Scan-Lock™ flash patterns and pattern override
- Low profile with compression fit gasket for superior moisture resistance
- Pre-configured lightbars
- Available in Amber and White
- Five year HDP® Heavy-Duty Professional warranty



Model No.	Technology	Inboard Modules	Mount	Amps	VDC	FPM	Dome Color	Base	Size				
MC11PA	linear Super-LED corners TIR6 Super-LED inboards	2 TIR6™	permanent	3.6 peak 2.2 average	12	17 flash patterns	Amber NOTE: also available with clear domes, Use "CA" suffix or contact factory	extruded aluminum platform	2-1/2" (64mm) H x 7-1/2" (191mm) D x 11" (279mm) L				
MC11MA			magnetic										
MC11SA			3/4" (19mm) stud										
MC16PA		4 TIR6	permanent	4.8 peak 3 average					2-1/2" (64mm) H x 7-1/2" (191mm) D x 16" (406mm) L				
MC16MA			magnetic										
MC16VA			magnetic/suction										
MC16SA		8 TIR6	3/4" (19mm) stud	permanent					7.2 peak 4.4 average	2-1/2" (64mm) H x 7-1/2" (191mm) D x 23" (584mm) L			
MC23PA				magnetic									
MC23MA				magnetic/suction									
MC23VA				3/4" (19mm) stud									
MC23SA													

Mini Justice® Series

- SAE Class 1 Certified
- Super-LED CON3™ modules and Linear Super-LED corners
- Permanent models includes 15' cable, magnetic and magnetic/suction mount with 10' cord, cigar plug with On/Off switch with LED "On" indicator, and Scan-Lock flash pattern switch
- Low profile, only 2-1/4" high
- Available in Amber and White
- Five year HDP Heavy-Duty Professional warranty



Model No.	Technology	Mount	Amps	Light Output	VDC	FPM	Base	Lens	Size
MJY****P	CON3 Super-LED	permanent	4 / peak 1.6 / avg. (4 corners only)	SAE Class 1	12	95 Scan-Lock patterns	extruded aluminum	Clear outer lens	2-1/4" (57mm) H x 12" (304mm) D x 22" (558mm) L
MJY****M		magnetic							
MJY****V		magnetic/suction							

Replace symbol* in model number with desired color. A = Amber, C = White

Model No.	Description
JDC*	one CON3 Super-LED module
JDH*	one LTR3™, Super-LED module. For use with MJTDAL only

Model No.	Description
MJTDALL1	four LR11 Super-LEDs, two steady-burn take downs, and steady-burn alley lights with 15° horizontal adjustment, for permanent models only (Replaces MJTDAL)

Mini Freedom® Series



- SAE Class 1 Certified
- Freedom models can add up to 4 additional inboard Super-LED modules, halogen work lights and alley lights
- Available in Amber and White
- Five year HDP Heavy-Duty Professional warranty



FT8AAAAP
with optional FTDA

Model No.	Technology	Mount	Amps	VDC	FPM	Base	Lens	Size
FT8****P	linear Super-LED	permanent	4 amps	12	13 Scan-Lock™ with external control	extruded aluminum I-Beam	Clear outer lens	3-3/4" (95mm) H x 12" (304mm) D x 28-1/4" (717mm) L
FT8****M		magnetic			SignalAlert 75			

Replace symbol* in model number with desired color. A = Amber, C = White

Model No.	Option Description
FTALY	two halogen alley lights for perm mount only
FTTD2	two halogen work lights for perm mount only

Model No.	Option Description
FTD**	two 400 Series Linear Super-LED modules
FTD****	four 400 Series Linear Super-LED modules

Mini Freedom Rotating Series

- SAE Class 1 Certified
- 100% solid-state Rota-Beam modules give the sweeping effect of a traditional halogen rotator without the mechanical failures and blown bulbs
- Color or clear lenses
- 15' cable standard
- Available in Amber and White
- Five year HDP Heavy-Duty Professional warranty



FB8AAAAP
with optional FRBC



Model No.	Technology	Mount	Amps	VDC	FPM	Base	Lens	Size
FB8****P	rotating Super-LED	permanent standard	4 amps	12	10 flash patterns	extruded aluminum I-Beam	Clear outer lens	3-3/4" (95mm) H x 12" (304mm) D x 28-1/4" (717mm) L
FB8*0*OP	rotating Super-LED forward facing							

Replace symbol* in model number with desired color. A = Amber, C = White

Model No.	Option Description
FRB*	one Rota-Beam module for inboard, front or rear
FRALF1	two LR11 Super-LED alley lights with 15° horizontal adjustment

Model No.	Option Description
FRALF1D	two dual LR11 Super-LED alley lights with 15° horizontal adjustment
FRTLS1	two LR11 Super-LED work lights with 15° horizontal adjustment
FRTLS1D	two dual LR11 Super-LED work lights with 15° horizontal adjustment

Mini Liberty[™] II Series

- SAE Class 1 Certified
- Permanent mount includes low profile mounting kit
- Permanent mount includes 15' cable
- Magnetic mount includes 90 lb. pull magnets
- Magnetic and magnetic/suction mounts include 10' cord, cigar plug with On/Off switch with LED "On" indicator, and flash pattern switch
- Clear outer lenses standard (optional color lenses available)
- Available in Amber and White
- Five year HDP[®] Heavy-Duty Professional warranty



IT9AAAAP
shown with optional
inboard modules



Model No.	Technology	Mount	Amps	VDC	FPM	Base	Size
IT9****P	linear Super-LED	permanent	4.0 peak 1.6 average	12	58 Scan-Lock [™] patterns	extruded aluminum	2-13/16" (71mm) H x 11-5/16" (287mm) D x 19-6/16" (490mm) L
IT9****M		magnetic					
IT9****V		magnetic/suction					

Replace symbol* in model number with desired color. A = Amber, C = White

Model No.	Option Description
IWDS*	one short Super-LED single color module
ITTS	two short Super-LED take-down lights, for permanent mount

Model No.	Option Description
ITA	two Super-LED alley lights for permanent mount
ITTSA	two short Super-LED take-down and alley lights for perm mount

Mini Legacy[®] Series

- SAE Class 1 Certified
- Standard permanent mount model provides low power and individual control of front corner, rear corner and optional inboard modules
- One piece UNI-DOME construction with single sealing point
- Permanent mount includes 15' cable
- Magnetic mount includes 90 lb. pull magnets
- Magnetic and magnetic/suction mounts include 10' cord, cigar plug with On/Off switch with LED "On" indicator, and flash pattern switch
- Clear outer lenses standard (optional color lenses available)
- Available in Amber and White
- Five year HDP[®] Heavy-Duty Professional warranty



GT9AAAM
shown with optional
inboard modules



Model No.	Technology	Mount	Amps	VDC	FPM	Base	Size
GT9****P	linear Super-LED	permanent	3.72 all on 1.86 per alternating side	12	58 Scan-Lock [™] patterns	extruded aluminum	1-5/8" (41mm) H x 11-5/16" (287mm) D x 19-6/16" (490mm) L
GT9****M		magnetic					
GT9****V		magnetic/suction					

Replace symbol* in model number with desired color. A = Amber, C = White

Model No.	Option Description
GWDS*	one single color Super-LED module
GTTSA	two Super-LED take-down lights, for permanent mount

Model No.	Option Description
GTA	two Super-LED alley lights for permanent mount
GTTSA	two short Super-LED take-down and alley lights for permanent mount



Legacy® Series

SOLO™ - One level, single color

DUO+™ - One level, single color or two color interleaved



GS8AAAA
shown with optional inboard modules and work lights

- **SAE Class 1 Certified**
- High-output linear combo “Multi-Angled” corner modules produce light straight out and to the side
- Advanced Thermal Design reduces the stress on LEDs during extended dwell time
- One piece UNI-DOME construction with a single sealing point assures lightbar integrity in all weather conditions
- Clear outer lenses standard (optional color lenses available)
- Many options available; consult price list and/or WeCad™ software
- Available in Amber and White
- Five year HDP® Heavy-Duty Professional warranty

Legacy SOLO Series

- Competitively priced single color lightbar
- Standard switching
- Photocell is optional

Legacy DUO+ WeCan® Series

- All warning lightheads are true DUO+, whether one color or two. Each segment can be operated independently or at the same time, without loss of intensity.
- Plug & Play into Whelen or vehicle manufactured controllers
- Photocell automatically dims the lightbar at night and still meets SAE Class 1 requirements in low power mode

Additional models available, contact factory

WeCan models allow for front and rear Traffic Advisor function

Model No.	Technology	Length	Size H x D	Mount	Inboard Lighting	Control	VDC	FPM	Base	Lenses
GS4****	Legacy SOLO with 4 single color Liner-LED corner modules	43-1/4" (110cm)	2-13/16" (71mm) H x 11-5/16" (287mm) D	permanent MKEZ7 adjustable MKAJ available	Linear-LED® modules in pairs (up to 12 optional modules)	front/rear & all bar control	12	58 Scan-Lock patterns	extruded aluminum top and base	Clear outer standard color lenses available
GS8****		48" (122cm)								
GS2****		53-3/4" (136cm)								
GB4****	Legacy DUO+ with 4 interleaved-Liner-LED corner modules	43-1/4" (110cm)								
GB4####		48" (122cm)								
GB8****		48" (122cm)								
GB8####		48" (122cm)								
GB2****		53-3/4" (136cm)								
GB2####		53-3/4" (136cm)								

Replace symbol* in model number with desired color. A = Amber, C = White
 Replace symbol # in model number with split color desired. F = Amber/White, M = Blue/Amber

Note: All lightbars require a Lightbar WeCad form with order. The Lightbar WeCad Program allows customers to describe the details of a lightbar. Lightbar WeCad will display all possible options and mounting kits for a given lightbar and the current list price for those options.

See Page 59 for Power Control Centers and Switches



Liberty™ II Solo™ Series

- SAE Class 1 Certified
- Low current, one level single color lightbar
- Advanced Thermal Design reduces the stress on LEDs during extended dwell time
- Each model has one or two sealing points, assuring lightbar integrity in all weather conditions
- 15' passenger side exit cable
- Many options available; consult price list and/or WeCad software
- Available in Amber and White
- Five year HDP® Heavy-Duty Professional warranty



IX8AAAA
shown with optional inboard
modules and work lights

Additional models available, contact factory
WeCan models allow for front and rear Traffic Advisor function

Model No.	Tech-nology	Length	Size H x D	Mount	Inboard Lighting	Control	VDC	FPM	Base	Lenses
IX4****	4 Liner-LED corner modules	43-1/4" (110cm)	2-13/16" (71mm) H x 11-5/16" (287mm) D	permanent MKEZ7 Adjustable mount MKAJ available	Linear-LED® modules in pairs (up to 12 optional modules)	front/rear & all bar control	12	58 Scan-Lock™ patterns	extruded aluminum top and base	Clear outer standard color lenses available
IX8****		48" (122cm)								
IX2****		53-3/4" (136cm)								
IG8****		48" (122cm)								
IG2****		53-3/4" (136cm)								

Replace symbol* in model number with desired color. A = Amber, C = White

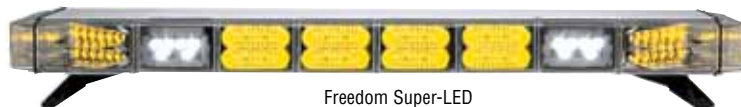
Note: All lightbars require a Lightbar WeCad form with order. The Lightbar WeCad Program allows customers to describe the details of a lightbar. Lightbar WeCad will display all possible options and mounting kits for a given lightbar and the current list price for those options.

See Page 59 for
Power Control
Centers and
Switches

Freedom® Series



- **SAE Class 1 Certified**
- **Add up to 12 optional Linear Super-LED directional modules**
- **15' passenger side cable, optional 25' driver side exit**
- **Many options available; consult price list and/or WeCad™ software**
- **Available in Amber and White**
- **Five year HDP® Heavy-Duty Professional warranty**



Freedom Super-LED shown with available options

Model No.	Technology	Length	Size H x D	Lighting	Mount	Amps	VDC	FPM	Base	Lenses
FL4****	Linear Super-LED	44-3/8" (113cm)	3-3/4" (95mm) H x 10" (254mm) D	standard corner modules	MKEZ7 permanent Adjustable mount MKAJ available	4 / peak 1.6 / average	12	75 SignalAlert™ per head (default pattern) 21 Scan-Lock™ patterns	heavy-duty extruded aluminum I-Beam	Clear outer standard, optional color available
FL8****		49-3/4" (126cm)								
FL2****		55-1/8" (140cm)								
FX4****		44-3/8" (113cm)		extended corner modules						
FX8****		49-3/4" (126cm)								
FX2****		55-1/8" (140cm)								

Replace symbol* in model number with desired color. A = Amber, C = White

Freedom Rota-Beam™ Series



- **SAE Class 1 Certified**
- **Models include four half corner LED modules, multiple inboard options available**
- **100% solid-state electronics**
- **Standard switching**
- **20' passenger side cable**
- **Many options available; consult price list and/or WeCad software**
- **Available in Amber and White**
- **Five year HDP Heavy-Duty Professional warranty**



Freedom Rotating Super-LED shown with available options



Model No.	Technology	Length	Size H x D	Lighting	Mount	Amps per rotator	VDC	FPM	Base	Lenses
FR4****	rotating Super-LED	44-3/8" (113cm)	3-3/4" (95mm) H x 12" (304mm) D	half module rotating	MKEZ7 permanent Adjustable mount MKAJ available	1.3A / peak .6 / average	12	multiple Scan-Lock flash patterns, some with varying flash rates	heavy-duty extruded aluminum I-Beam	hard-coated Clear outer standard, optional color available
FR8****		49-3/4" (126cm)								
FR2****		55-1/8" (140cm)								
FR0****		60" (152cm)								
FR7****		72" (183cm)								

Replace symbol* in model number with desired color. A = Amber, C = White

Note: All lightbars require a Lightbar WeCad form with order. The Lightbar WeCad Program allows customers to describe the details of a lightbar. Lightbar WeCad will display all possible options and mounting kits for a lightbar and the current list price for those options.

See Page 59 for Power Control Centers and Switches

Justice® Series



- **SAE Class 1 Certified**
- **CON3™ directional modules have removable optic spreading filter**
- **Center section available with single Linear6™, CON3 or two LTR3™ modules (for split color center section)**
- **Front, rear and all bar operation control**
- **Easily upgraded or service in the field**
- **15' passenger side exit cable**
- **Optional Scan-Lock™ flash patterns, low power operation and pattern override feature**
- **Many options available, consult price list and/or WeCad™ software**
- **Available in Amber and White**
- **Five year HDP® Heavy-Duty Professional warranty**



Justice shown with optional inboard modules and work lights

Model No.	Technology	Length	Size H x D	Mount	Inboard Lighting	Control	VDC	FPM	Base	Lenses
JC4****	4 extended Linear-LED® corners	44" (112cm)	2-1/4" (57mm) H x 12" (304mm) D	permanent MKEZ7 adjustable MKAJ available	optional CON3 modules	front/rear & all bar control	12	multiple flash patterns	Black polycarbonate on extruded aluminum platform	Clear outer standard color lenses available
JC8****		50-1/8" (132cm)								
JC2****		56-1/4" (152cm)								
JE4****	4 standard Linear-LED corners	44" (112cm)								
JE8****		50-1/8" (132cm)								
JE2****		56-1/4" (152cm)								

Replace symbol* in model number with desired color. A = Amber, C = White

Century™ Elite Series



- **SAE Class 1 Certified**
- **Extruded aluminum platform**
- **Standard low current switching with multiple Scan-Lock™ flash patterns and pattern override feature**
- **Compression fit gaskets provide moisture resistance**
- **Clip-Lock™ system allows easy access to lightbar for service or upgrade**
- **Many options available, consult price list and/or WeCad™ software**
- **Available in Amber and White**
- **Five year HDP® Heavy-Duty Professional warranty**



CE4AAAA shown with optional work lights

Model No.	Technology	Length	Size H x D	Mount	Inboard Lighting	Control	VDC	FPM	Base	Lenses
CE4****	4 extended Linear-LED® corners	44" (112cm)	2-1/4" (57mm) H x 8" (207mm) D	permanent MKEZ7 adjustable MKAJ available	optional LIN12™ modules	front/rear & all bar control	12	multiple flash patterns	extruded aluminum platform	Clear outer standard color lenses available
CE8****		50" (132cm)								

Replace symbol* in model number with desired color. A = Amber, C = White

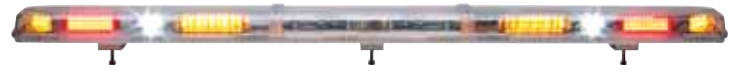
Note: All lightbars require a Lightbar WeCad form with order. The Lightbar WeCad Program allows customers to describe the details of a lightbar. Lightbar WeCad will display all possible options and mounting kits for a lightbar and the current list price for those options.

See Page 59 for Power Control Centers and Switches

Towman's™ Series



- SAE Class 1 Certified
- Front/rear warning lights are separately controlled
- Includes rear facing LED brake/tail/turn signals
- Many options available, consult price list and/or WeCad™ software
- Available in Amber with Red brakelights
- Five year HDP® Heavy-Duty Professional warranty



Century / CW0BAAA



Freedom / FLOTAAAA with optional FLETAA



Justice / JF0BAAA

Model No.	Series	Length	Size H x D	Lighting	Inboard Warning Lights	Mount	VDC	FPM	Base	Lenses
CW0BAAA	Century	60" (154cm)	2-1/4" (57mm) H x 12" (304mm) D	4 Linear-LED corners 2 Super-LED work lights, 2 LED brake/tail/turn lights	4 Amber Linear-LEDs (2front/2rear)	3 adjustable slide bolts	12	Action-Scan™	extruded aluminum I-Beam	color lenses standard
FLOTAAAA	Freedom™		3-3/4" (95mm) H x 10" (254mm) D	4 bi-level Linear-LED corners 2 halogen work lights, 2 LED brake/tail/turn lights	optional (add up to 12 linear lighthead in pairs)			75 Signal-Alert™	extruded aluminum I-Beam	Clear outer standard, color available
JF0TAAAA	Justice	62-3/8" (158cm)	2-1/4" (57mm) H x 12" (304mm) D	4 Linear-LED corners 2 Super-LED work lights, 2 LED brake/tail/turn lights	optional*	3 adjustable slide bolts	Action-Scan	Black polycarbonate base on extruded aluminum platform		
JF0BAAA					6 Amber CON3*					
JF0DAAA					5 Amber CON3* & Traffic Advisor™					
JF0FAAA					16 Amber CON3s & B/T/T					

* Note: Can also add options

Century Options	
Model	Description
CEDLXA	one LIN12, Amber
CDT6A	one TIR6, Amber

Freedom Options	
Model	Description
FLDSCBL	driver side cable exit
FLETAA	two single level TIR style lighthead, factory installed, Amber
FLETKAA	two single level TIR style lighthead, customer installed, Amber
DELFLTBT	delete brake/tail/turn lights
DELFLWL	delete work lights

Justice Options	
Model	Description
JDC*	one CON3

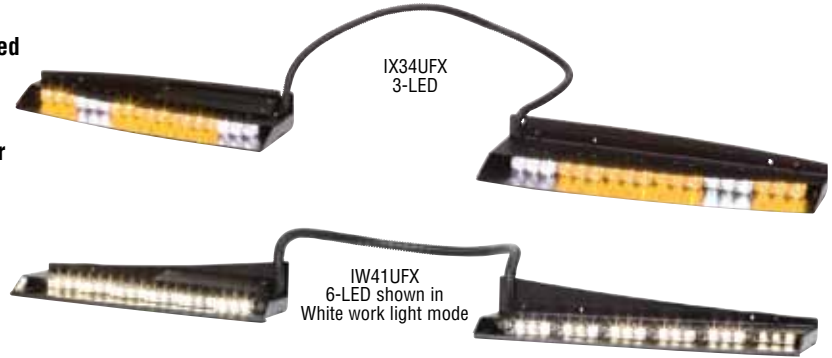
Replace asterisk in model number with desired color.
A = Amber, R = Red, B = Blue

See Page 59 for Power Control Centers and Switches



Inner Edge® XLP Series

- **SAE Class 1 Certified**
- **Extra Low Profile** full featured interior lightbar designed to blend with vehicles existing interior
- **Available in 3-LED™ and 6-LED™ DUO™ models**
- **DUO technology** features different color LEDs in the same module allowing individual control of each color
- **Easy installation** to visor anchor points
- **Requires customer supplied switches or control head, purchased separately**
- **3-LED models** have additional TIR3™ and LIN3™ lens supplied to customize light dispersion
- **Available in Amber and White**
- **Five year HDP® Heavy-Duty Professional warranty**



MODELS - DESCRIPTIONS - LAMP TYPE	Chevrolet		Dodge		Ford			
	Suburban/Tahoe 2015 Silverado 1500/2500 2014-2015	Suburban/Tahoe 2008-2014 Silverado 1500/2500 2008-2013	Dodge Ram 2011-2015	Dodge Durango 2013-2015	Explorer 2011-2015 Utility Interceptor 2013-2015	F150 2012-2014	F250/F350 2012-2015	Expedition 2013-2014
UPPER FRONT SERIES - 3-LED								
Five lamp, upper front passenger side unit only, with one LED flashing/work light	IX45UF5P	IX13UF5P	IX42UF5P	IX44UF5P	IX34UF5P	IX41UF4P	IX39UF5P	IX08UF5P
Six lamps, upper front passenger side unit only (no work light)	IX45UF6P	IX13UF6P	IX42UF6P	IX44UF6P	IX34UF6P	IX41UF5P	IX39UF6P	IX08UF6P
Ten lamps, upper front two piece unit, individual driver and passenger side units, with two LED flashing/work lights	IX45UFZ	IX13UFZ	IX42UFZ	IX44UFZ	IX34UFZ	IX41UFZ	IX39UFZ	IX08UFZ
Twelve lamps, upper front two piece unit, individual driver and passenger side units (no work lights)	IX45UFX	IX13UFX	IX42UFX	IX44UFX	IX34UFX	IX41UFX	IX39UFX	IX08UFX
DUO 6-LED UPPER FRONT SERIES - WeCAN™								
Six 6-LED DUO lamps, upper front passenger side unit only	IW45UF6P	IW13UF6P	IW42UF6P	IW44UF6P	IW34UF6P	IW41UF6P	IW39UF6P	IW08UF6P
Twelve 6-LED DUO lamps, upper front two piece unit, individual driver and passenger side units	IW45UFX	IW13UFX	IW42UFX	IW44UFX	IW34UFX	IW41UFX	IW39UFX	IW08UFX
DUO 6-LED UPPER FRONT SERIES - LOW CURRENT								
Six 6-LED DUO lamps, upper front passenger side unit only	ID45UF6P	ID13UF6P	ID42UF6P	ID44UF6P	ID34UF6P	ID41UF6P	ID39UF6P	ID08UF6P
Twelve 6-LED DUO lamps, upper front two piece unit, individual driver and passenger side units	ID45UFX	ID13UFX	ID42UFX	ID44UFX	ID34UFX	ID41UFX	ID39UFX	ID08UFX

How To Order Light Module Colors

Replace symbol § with number of color LED lightheads desired. No charge with lightbar order. White is DUO default color.

For double digit numbers, use X for 12, and Z for 10

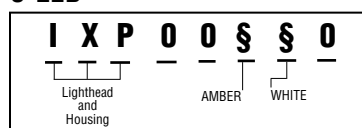
EXAMPLES of model numbers:

IXP00X00 = 12 Amber lightheads

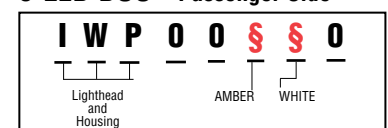
IWPO0600 = 6 Amber lightheads, passenger side

IWD00600 = 6 Amber lightheads, driver side

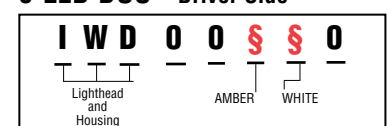
3-LED



6-LED DUO - Passenger Side

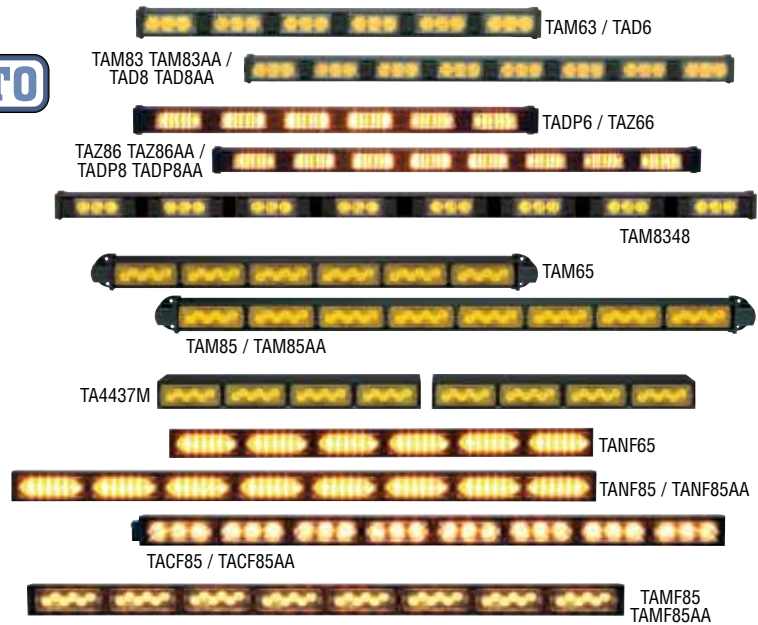


6-LED DUO - Driver Side



Straight Style

- 15' cable standard, extra length cables available
- Black extruded aluminum housing
- LEDs rated for thousands of hours of operation
- Includes control head (not TAD models)
- Four operating modes; left, right, split & flashing
- Rear dip switch provides 8 flash pattern choices
- Interior or exterior applications
- Available in Amber
- Five year HDP® Heavy-Duty Professional warranty



Model No.	Technology	No. of Modules	End Flasher	Mount	Control Head	VDC	Housing	Encap-sulated	Size H x D	Length													
TAM63	TIR3™	6	-	surface mount/ slide bolt	TACTLD1 included	12	extreme low profile one piece	yes	1-3/4" (44mm) H x 2-3/16" (55mm) D	23" (58cm)													
TAM83		8	yes							30-7/8" (78cm)													
TAM83AA			48" (122cm)																				
TAM8348		23" (58cm)																					
TAD6	TIR3 Dominator™ Series	6	-		requires optional TADCTL1 or customer supplied switches					12	extreme low profile one piece	yes	1-3/4" (44mm) H x 2-3/16" (55mm) D	30-7/8" (78cm)									
TAD8		8	yes											23" (58cm)									
TAD8AA	30-7/8" (78cm)																						
TADP6	LINZ6™ Dominator Plus™ Series	6	-		TACTLD1 included									12	extreme low profile one piece	yes	1-3/4" (44mm) H x 2-3/16" (55mm) D	23" (58cm)					
TADP8		8	yes															30-7/8" (78cm)					
TADP8AA	23" (58cm)																						
TAZ66	LINZ6	6	-															TACTLD1 included	12	extreme low profile one piece	yes	1-3/4" (44mm) H x 2-3/16" (55mm) D	30-7/8" (78cm)
TAZ86		8	yes																				23" (58cm)
TAZ86AA	30-7/8" (78cm)																						
TAM65	500 Series TIR6™	6	-	surface mount / thru-bolt endcaps		TACTLD1 included	low profile flat style one piece	yes	2-7/8" (73mm) H x 2-1/4" (57mm) D														36" (91cm)
TAM85		8	yes																				46-7/8" (119cm)
TAM85AA			22-3/4" (58cm) each piece																				
TA4437M		34" (86cm)																					
TANF65	500 Series Linear-LED®	6	-	surface mount/ slide bolt			TACTLD1 included			front load rectangular one piece	yes	2-3/8" (60mm) H x 2-3/8" (60mm) D	45-1/8" (115cm)										
TANF85		8	yes										46-7/8" (119cm)										
TANF85AA			45-1/8" (115cm)																				
TAMF85		TIR6 500 Series	6		-								surface mount/ slide bolt	TACTLD1 included	front load rectangular one piece	yes	2-3/8" (60mm) H x 2-3/8" (60mm) D						46-7/8" (119cm)
TAMF85AA	8		yes	45-1/8" (115cm)																			
TACF85		CON3™ front load	6	-	surface mount/ slide bolt					TACTLD1 included								front load rectangular one piece	yes	2-3/8" (60mm) H x 2-3/8" (60mm) D	46-7/8" (119cm)		
TACF85AA	8		yes	45-1/8" (115cm)																			
TAMF85		TIR6 500 Series	6	-									surface mount/ slide bolt		TACTLD1 included						front load rectangular one piece	yes	2-3/8" (60mm) H x 2-3/8" (60mm) D
TAMF85AA	8		yes	45-1/8" (115cm)																			
TACF85		CON3™ front load	6	-	surface mount/ slide bolt	TACTLD1 included		front load rectangular one piece	yes									2-3/8" (60mm) H x 2-3/8" (60mm) D					
TACF85AA	8		yes	45-1/8" (115cm)																			

Model No.	Description
TACTLD1	control head only for 6 & 8 lamp LED Traffic Advisor, includes remote flash control and end lamp enable/disable feature
DELTALD1	delete TACTLD1 from 6-8 lamp LED Traffic Advisor
TAWPKT2	waterproof butt splice upgrade kit for 8 lamp Traffic Advisor, factory installed
DBKT6	interior hatch mount bracket for 2008-12 Chevy Tahoe for TAD8, TADP8, TAM83 and TAZ86 only

Model No.	Description
TADCTL1	control head for TAD/TADP Dominator Traffic Advisor only
TADSW1	On/Off non-lighted SPDT 20 amp switch for TADCTL1 Dominator control head
TADSW2	On/Off/On non-lighted SPDT 20 amp switch for TADCTL1 Dominator control head
TANBKT1	mount for top of vehicle for TACF85 and TANF85 horizontal mount



TACTLD1

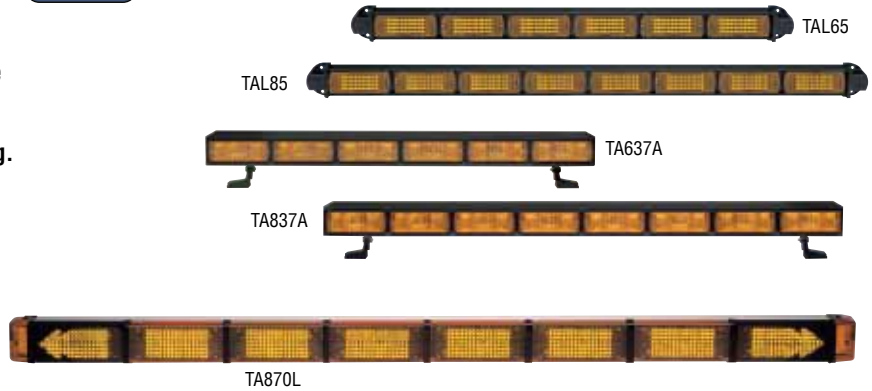


TADCTL1



Straight Style

- 15' cable standard, extra length cables available
- Black extruded aluminum housing
- Includes control head
- Four operating modes; left, right, split & flashing. Rear dip switch provides 8 flash pattern choices
- Interior or exterior applications
- Available in Amber
- LED has five year HDP® Heavy-Duty Professional warranty, halogen has two year warranty (excludes bulbs)



Model No.	Technology	No. of Modules	Mount	Control Head	VDC	Housing	Encapsulated	Size H x D	Length
TAL65	500 Series 5mm LED	6	surface thru-bolt or integral fasteners on back	TACTLD1	12	low profile flat style one piece	yes	2-7/8" (73mm) H x 2-1/4" (57mm) D	36" (91cm)
TAL85		8					yes		46-7/8" (119cm)
TA637A	500 Series halogen	6	swivel foot	TACTRL1A		rectangular one piece	-	2-1/2" (64mm) H x 4-7/16" (113mm) D	33" (84cm)
TA837A		8							44" (112cm)
TA870L	700 Series 5mm LED	8	slide bolt	TACTLD1	large rectangular one piece	yes	3-3/4" (95mm) H x 3-1/2" (89mm) D	6' (183cm) 7' (213cm) or 8' (244cm) available	

Model No.	Option Description
TACTLD1	control head for 6 & 8 lamp LED Traffic Advisor, includes remote flash control and end lamp enable /disable feature
TACTRL1A	control head for 6 & 8 Halogen Traffic Advisor with remote flash control & end lamp enable/disable feature
DELTAC1A	delete TACTALD1 from 6-8 lamp LED Traffic Advisor

Model No.	Halogen Substitute Cables
STAPVC30	30' PVC cable for TA637A & TA837A
STAPVC35	35' PVC cable for TA637A & TA837A
STAPVC40	40' PVC cable for TA637A & TA837A
STAPVC50	50' PVC cable for TA637A & TA837A

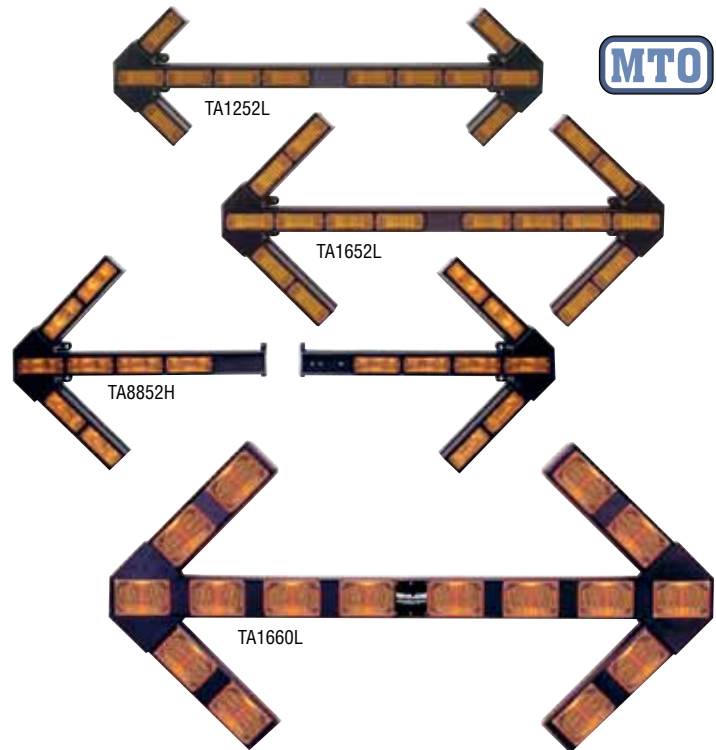
Model No.	Halogen Extension Cables
TAPVC15	15' cable for TA637A & TA837A
TAPVC25	25' cable for TA637A & TA837A
TAPVC35	35' cable for TA637A & TA837A
TAPVC50	50' cable for TA637A & TA837A
TATPR20	20' cable for TA870A & TA870L



TACTLD1
TACTRL1A

Arrow Style

- Sixteen lamp versions meet MUTC2009 specifications when mounted on appropriate backboard
- Two piece models have 10' interconnect cable
- Black extruded aluminum housing
- LEDs rated for thousands of hours of operation
- Four operating modes; left, right, split & flashing. Rear dip switch provides 8 flash pattern choices
- Hi/Low intensity control
- Custom cable lengths, contact factory
- Available in Amber
- LED has five year HDP® Heavy-Duty Professional warranty, halogen has two year warranty (excludes bulbs)



Model No.	Tech-nology	No. of Lamps	Lamp Size	Power Cable	Mount	Control Head	VDC	Housing	Encap-sulated	Size
TA1252L	500 Series 5mm LED	12	5" x 2"	25'	surface mount/ slide bolt	TACTRL3A	12	one piece	yes	16" (406mm) H x 5-1/4" (133mm) D x 48" (122cm) L
TA1652L		16								23-1/4" (590mm) H x 5-1/4" (133mm) D x 48" (122cm) L
TA8852H	500 Series halogen	16	6" x 4"	40'		TACTRL2A		split 2 piece	-	23" (584mm) H x 5-1/4" (133mm) D x 27-3/4" (704mm) L (each piece)
TA1660L!	600 Series 5mm LED					TACTRL2A		large one piece	yes	36-1/2" (927mm) H x 4" (102mm) D x 5-1/2" (167cm), 6' (183cm), 7' (213cm) or 8' (244cm) L

! Indicate length desired. 5 foot, 6 foot, 7 foot or 8 foot.

Model No.	Option Description
TACTRL3A	control head only for 16 lamp halogen/LED Traffic Advisor. non diagnostic, meets Federal standards



TACTRL3A

M2, M4 & M7 Series

- Patented Linear-LED® designed reflector assembly
- Hard coated lenses minimize environmental damage from the sun, salt and road chemicals
- Surface mounted via two screws allows for easy installation
- Lens and reflector are a sealed assembly
- Built-in flasher models are synchronizable
- Choose solid, left/right, top/bottom, in/out, or diagonal sequencing
- Meets KKK 1822F, NFPA 1901, SAE, EC65 specifications
- Includes California Title XIII compliant flash patterns
- Five-year HDP® Heavy-Duty Professional warranty



M4A with optional Chrome flange



M4VA with optional Chrome flange, shown with side view



M2A with optional grommet mount

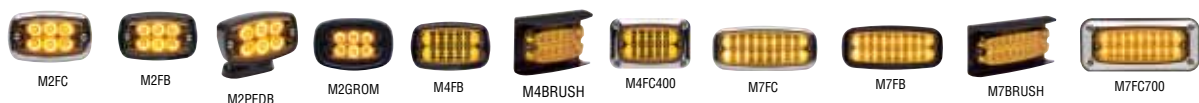


M7A with optional Chrome flange

Model No.	Optics	LED Color	Colors	Lens	VDC	Flasher	Patterns	Amps	Certifications	Lighthouse Size
M2*	standard warning	single color	A, W	Color	12	built-in	129 Scan-Lock™ including steady-burn	1 / peak .40 / avg	B (R/A/B) C,D (R/A/B)	2-1/2" (64mm) H x 1" (25mm) D x 4" (102mm) L
M2*C				Clear						
M2W*	wide-angle warning			Color						
M2W*C				Clear						
M4*	standard warning			Color		125 Scan-Lock	1.5 / peak 0.6 / avg	B (A/B/W) C,D (R/A/B)	3-3/8" (86mm) H x 1-3/8" (35mm) D x 5-1/2" (138mm) L	
M4*C				Clear						
M4*S				Color		requires flasher purchased separately	-			
M4*CS				Clear						
M4V*	combination warning and perimeter illumination	single color warning, White illumination	Clear	Clear	12	built-in	warning has 25 Scan-Lock	warning 1.0/peak 0.40/avg perimeter 0.50	-	3-3/8" (86mm) H x 1-7/8" (47mm) D x 5-1/2" (138mm) L
M7*	standard warning	single color	Color	159 Scan-Lock™	2.25 / peak 0.9 / avg	built-in	-	B (R/A/B) C (R/A/B) D	3-3/8" (86mm) H x 1-3/8" (35mm) D x 7-5/8" (194mm) L	
M7*C			Clear							
M7*S			Color							
M7*CS			Clear	requires flasher purchased separately						

Replace symbol* in model number with letter indicating color desired: A=Amber, C=White, R=Red

Option Model No.				Option Description
M2	M4	M4V	M7	
M2FC	M4FC	M4FC	M7FC	Chrome plated flange
M2FB	M4FB	M4FB	M7FB	Black flange
-	M4BRUSH	-	M7BRUSH	Black brush guard
-	M4FC400	M4FC400	M7FC700	Chrome flange, adapts M Series to 400 and 700 Series style lightheads
M2PEDB	-	-	-	Black pedestal mount kit
M2PEDC	-	-	-	Chrome pedestal mount kit
M2GROM	-	-	-	Grommet mount kit
-	M4CT15B	-	-	Fog position light for 2015 Chevy Tahoe, pair, Black



M6 & M9 Series



- Available in warning and warning with perimeter or scenelight models
- Patented Linear-LED® designed reflector assembly
- Hard coated lenses minimize environmental damage from the sun, salt and road chemicals
- Surface mounted via two screws allows for easy installation
- Built-in flasher models are synchronizable
- Choose solid, left/right, top/bottom, in/out, or diagonal sequencing
- Meets KKK 1822F, NFPA 1901, SAE, and EC65 specifications
- Includes California Title XIII compliant flash patterns
- Five-year HDP® Heavy-Duty Professional warranty



M6A with optional chrome flange



M6V2A with optional Chrome flange, shown with side view



M9R with optional Chrome flange



M9V2R with Chrome flange, standard, shown with side view

Model No.	Optics	LED Color	Colors	Lens	VDC	Flasher	Patterns	Amps	Certifications	Lighthead Size	
M6*	standard warning	single color	A, W	Color	12	built-in	159 Scan-Lock	2.25 / peak 0.9 / avg	B (R/B) C (R/A/B)	4-5/16" (109mm) H x 1-3/8" (35mm) D x 6-3/4" (170mm) L	
M6*C				Clear							
M6*S				Color		requires flasher purchased separately					
M6*CS				Clear							
M6V2*	combination warning and perimeter illumination	single color warning, White illumination		Color for warning, Clear for illumination		built-in	warning has 25 Scan-Lock	warning 1.5/peak 0.60/avg perimeter 0.77	B (A/B/R) C (A/B/R/W) D (A/B/R/W)		4-5/16" (109mm) H x 2-1/4" (57mm) D x 6-3/4" (170mm) L
M6V2*C				Clear							
M9*	standard warning	single color		Color		built-in	159 Scan-Lock	3/peak 1.2/avg	B (R/B) C (R/A/B) D		6-1/2" (165mm) H x 1-3/8" (35mm) D x 10-3/8" (263mm) L
M9*C				Clear							
M9*S			Color	requires flasher purchased separately							
M9*CS			Clear								
M9V2*	combination warning and scenelight (includes chrome flange)	single color warning, White illumination	Color for warning, Clear for illumination	built-in	warning has 25 Scan-Lock	warning 2.4/peak 0.96/avg scenelight 2.4 amps	B (A/B/R) C (A/B/R/W) D (A/B/R/W)	6-1/2" (165mm) H x 2-5/8" (66mm) D x 10-3/8" (263mm) L			
M9V2*C			Clear								

Replace symbol* in model number with letter indicating color desired: A=Amber, C=White

Option Model No.				Option Description
M6	M6V2	M9	M9V2	
M6FC	M6FC	M9FC	-	Chrome plated flange
M6FB	M6FB	M9FB	M9FB	Black flange
M6BRUSH	-	M9BRUSH	-	Black brush guard
M6FC600	M6FC600	M9FC900	M9FC900	Chrome flange, adapts M Series to 600 and 900 Series style lighthead
M6P15C	-	-	-	Chrome 15° angled surface mount housing
M6P15B	-	-	-	Black 15° angled surface mount housing
M6FCV2	-	-	-	Chrome flange for two M6 lighthead, vertical (lighthead purchased separately)
M6FCV3	-	-	-	Chrome flange for three M6 lighthead, vertical (lighthead purchased separately)
M6FCV4	-	-	-	Chrome flange for four M6 lighthead, vertical (lighthead purchased separately)



Vertex™ Competitor™ Super-LED®

- Designed to mount in composite style headlight or taillight, or surface mount to exterior surfaces with flange mount option
- Electronics built into base
- Clear outer lens, color LEDs
- Five year HDP® Heavy-Duty Professional warranty



VTC6A

Model No.	Lamp Type	Technology	Mount	Color	VDC	FPM	Amps	Cable	Certification	Size
VTC6*	warning	Super-LED	headlight or taillight surface	A, R, W	12	25 Scan-Lock™	62mA/peak 25mA/avg	6" pigtail	C (A/R/W) M (R/A)	1" (26mm) H x 1-5/8" (41mm) Dia.

Replace symbol* in model number with letter indicating color desired: A=Amber, C=White, R=Red

Option Model No.	Options Description
VTCFC	Chrome plated flange
VTCFB	Black flange



VTCFB

VTCFC

Vertex Super-LED Series

- Self-contained light with in-line lamp driver
- Designed to mount in composite style headlight or taillight, or surface mount to exterior surfaces with flange mount option
- Fully encapsulated for moisture, vibration and corrosion resistance
- Clear outer lens, color LEDs
- Five year HDP Heavy-Duty Professional warranty



VTX609A

VTX609F

VTXD609*

VTX3609A

Model No.	Lamp Type	Technology	Mount	Color	VDC	FPM	Amps	Cable	Certification	Lighthouse Size
VTX609*	warning	Super-LED	headlight or taillight surface	A, R, W	12	25 Scan-Lock	.750/peak .30/avg	9'	D	1" (26mm) H x 1-5/8" (41mm) Dia.
VTX609#	split warning									
VTXD609*	warning/side emitting shield									
VTXD609#	split warning/side emitting shield									
VTX3609*	warning/360° side emitter									
VTX3609#	split warning/360° side emitter									

Replace symbol* in model number with letter indicating color desired: A=Amber, C=White, R=Red
Replace symbol# in model number with letter indicating split color desired: F=Amber/White, K=Red/Amber

Option Model No.	Options Description
VTXFC	Chrome plated flange
VTXFB	Black flange



VTXFB

VTXFC

OS™ Series

- Fully encapsulated for moisture, vibration and corrosion resistance
- Steady-burn requires remote flasher
- Clear outer lens, color LEDs
- Five year HDP Heavy-Duty Professional warranty



OSA00FCR



OSR00SCR

Model No.	Lamp Type	Technology	Mount	Color	VDC	FPM	Amps	Cable	Certification	Size
OS*00FCR	warning	LED	surface (includes Chrome flange)	A R W	12	single flash	60mA/peak 30mA/avg	6" pigtail	-	1" (25mm) H x 1/2" (13mm) D x 1-1/2" (48mm) L
OS*00SCR						steady	30mA			

Replace symbol* in model number with letter indicating color desired: A=Amber, C=White, R=Red

Micro Freedom®

- Designed to be used in pairs
- Heavy-duty extruded aluminum frame with color outer lens
- Optional cable lengths available, contact factory
- Five year HDP® Heavy-Duty Professional warranty



MCFLED2*

Model No.	Lamp Type	Technology	Mount	Color	Lens	VDC	FPM	Amps in mA	Cable	Size
MCFLED2A	warning	Super-LED®	includes bolt	A	Amber	12	75 SignalAlert™ per light module	3.2	12" pigtail	3-3-4" (95mm) H x 10" (254mm) D x 8" (203mm) W

Model No.	Option Description
W441DIN	Deutsch® waterproof connector (3 pins) installed on cable
W442DIN	Deutsch waterproof connector (3 sockets) installed on lighthouse

Micron™ Super-LED® Series

- Fully encapsulated for moisture, vibration and corrosion resistance
- Integrate with other Whelen products through synchronize feature
- Five year HDP Heavy-Duty Professional warranty



MCRNSA

Model No.	Lamp Type	Technology	Mount	Color	Housing Color	VDC	Amps	Patterns	Cable	Lighthouse Size
MCRNS*	warning single color	Super-LED	surface	R, A, W	Black	12	0.6	25 Scan-Lock™	6" pigtail	7/8" (23mm) H x 7/8" (23mm) D x 4" (102mm) L
MCRNSC*					Chrome					
MCRNS#	split warning			A/W A/B	Black					
MCENSC#					Chrome					

Replace symbol* in model number with letter indicating color desired: A=Amber, C=White, R=Red
 Replace symbol # in model number with letter indicating split color desired: E = Blue/White, F= Amber/White

Option Model No.	Options Description
MCRNB1	Black angle "L" mounting bracket



MCRNB1

2G & 5G Series

- SmartLED® design requires no external flasher
- Fits all applicable industry mounting accessories
- Fully encapsulated for moisture, vibration and corrosion resistance
- Optional flange available for surface mounting
- Five year HDP Heavy-Duty Professional warranty



2GA00FAR



5GA00FAR

Model No.	Lamp Type	Technology	Mount	Color	Lens	VDC	FPM	Amps in mA	Cable	Certification	Size
2GA00FAR	warning	LED	recess mount (includes vinyl grommet)	A, R	Amber	12	15 Scan-Lock™ patterns	300/avg 500/peak	12" pigtail	D - (Class 1) C - (Class 2)	5-1/2" (140mm) Dia. x 1-1/4" (31mm) D (with grommet)
2GA00FCR					Clear						
5GA00FAR					Amber					C, D (Class 1 & 2)	3-3/16" (81mm) H x 1-1/4" (38mm) D x 7-7/16" (189mm) L x (with grommet)
5GA00FCR					Clear						

Replace symbol* in model number with letter indicating color desired: A=Amber, R=Red

Option Model No.		Option Description
2G	5G	
2GFLANGC	5GFLANGC	Surface mount Chrome plated flange kit
2GFLANGB	5GFLANGB	Surface mount Black flange kit
2GBKT1	5GBKT1	Black surface mount "L" bracket



2GFLANGC



2GFLANGB



2GBKT1



5GFLANGC



5GFLANGB



5GBKT1

OR™ Series

- Designed for door panel mounting
- Steady-burn requires remote flasher
- Clear outer lens, color LEDs
- Five year HDP® Heavy-Duty Professional warranty



ORA00FCR



ORR00SCR

Model No.	Lamp Type	Technology	Mount	Color	VDC	FPM	Amps in mA	Cable	Certification	Size
OR*00FCR	warning	LED	recess for door panel	A, R	12	single flash	.60/peak .30/avg	6" pigtail	-	3/4" (19mm) H x 1/2" (13mm) D x 3/4" (19mm) L
OR*00SCR						steady	.30			

Replace symbol* in model number with letter indicating color desired: A=Amber, C=White, R=Red

3" Round

- Surface mount
- Ultra thin at only 7/16" (12mm) depth
- Five year HDP® Heavy-Duty Professional warranty



3SA00FAR



3SR00FRR

Model No.	Lamp Type	Technology	Mount	Color	VDC	Amps in mA	Patterns	Cable	Certification	Size
3S*00F*R	3" round warning	LED	surface mount	A, R	12	.50 /peak .25 amp/avg	160 FPM	6" pigtail	A, C, D (Class 1, 2 & 3)	3" (76mm)Dia.

Replace symbol* in model number with letter indicating color desired: A=Amber, R=Red

Option Model No.		Options Description
3"	3-1/2"	
3FLANGEC	-	Chrome plated flange
3GROMMET	-	Rubber grommet kit



3GROMMET



3FLANGEC

4" Round Super-LED® Series

Flat Lens

- TIR6™ Super-LED with synchronize feature
- Supplied with adapter for PAR-36 (4-1/2") applications
- Available in Amber and White
- Five year HDP Heavy-Duty Professional warranty



2FA00ZAR, TIR6, Flat Lens



2EA00ZCR, LINZ6, Extended Lens

Extended Lens

- LINZ6™ Super-LED with synchronize feature
- Supplied with adapter for PAR-36 (4-1/2") applications
- Optional flasher simultaneously flashes or alternates multiple LED lighthoods
- Available in Amber and White
- Five year HDP Heavy-Duty Professional warranty

Model No.	Lamp Type	Technology	Mount	Color	VDC	Amps	Patterns	Encapsulated	Cable	Certification	Size
2F*00Z*R	warning flat lens	TIR6 Super-LED	surface	A, W	12	0.8/max .32/avg	25 Scan-Lock™	yes	6" pigtail	C, D, B (A)	4"-1/4 (108mm) Dia. x 1-3/16" D
2E*00Z*R	warning extended lens	LINZ6 Super-LED	requires optional mounting	A, W		2/peak 0.9 avg	25 Scan-Lock			B (B/R) C, D	4"-1/4 (108mm) Dia. x 2" D

Replace symbol* in model number with letter indicating color desired: A=Amber, C=White

Option Model No.	Options Description
2GROMMET	Rubber grommet kit - not for fog mount lights
2FLANGEC	Chrome flange kit - not for fog
2FLANGEB	Black flange kit - not for fog



2FLANGEC



2FLANGEB



2GROMMET

NEW ION™ T-Series™ Super-LED®

- Extreme low profile, ultra thin lighthead
- Includes Black flange
- Fully encapsulated for moisture, vibration and corrosion resistance
- Integrate with other Whelen products through synchronize feature
- Easily mounts with 3M® VHB tape, included
- Five year HDP® Heavy-Duty Professional warranty



TIONA shown with side view

Model No.	Lamp Type	Technology	Mount	Color	Lens Color	VDC	Amps	Patterns	Cable	Lighthead Size
TION*	warning single color	Super-LED	surface	A, W	Clear	12	0.6/peak 0.24/avg	25 Scan-Lock™	4 wire 6" pigtail	1" (25mm) H x 3/8" (9mm) D x 4-3/16" (122mm) L

Model No.	Option Description
TIONFC	Chrome plated flange

V23 Super-LED V-Series™

- 180° Wide-angle warning
- Polycarbonate construction
- Optional angled flange mount for mounting on a curved body panel of any vehicle
- Five year HDP® Heavy-Duty Professional warranty



V23ATPC



V23CTPB



Side view

Model No.	Lamp Type	Technology	Mount	Color	Housing Color	VDC	Amps	Patterns	Cable	Certification	Size
V23*TPB	warning	3-in-1 Super-LED	surface includes flange	A, W warning W illumination	Black	12	W = .76 A = .62 P = .12	25 Scan-Lock	6" pigtail	C, D	2-11/16" (68mm) H x 1-1/2" (38mm) D x 4-1/4" (109mm) L
V23*TPC					Chrome						

Replace symbol* in model number with letter indicating color desired: A=Amber, C=White

Model No.	Option Description
V23P20B	Black angled surface mount housing
V23P20C	Chrome angled surface mount housing
V23PEDB	Black pedestal mount
V23PEDC	Chrome plated pedestal mount



V23P20C



V23P20B



V23PEDB



V23PEDC

Strip-Lite™

- Slim rectangular shape offers mounting versatility in tight spaces
- Fully encapsulated for moisture, vibration and corrosion resistance
- Easily surface mounts with two screws
- Low current consumption
- Polycarbonate construction
- Five year HDP Heavy-Duty Professional warranty



PSA00FAR

Model No.	Lamp Type	Technology	Mount	Color	VDC	Amps	Patterns	Cable	Certification	Lighthead Size
PS*00F*R	warning	LED	surface	A, W	12	0.675/max 0.27/avg	14 Scan-Lock includes steady-burn	6" pigtail	C	1" (25mm) H x 1-3/8" (35mm) D x 11-1/2" (292mm) L

Replace symbol* in model number with letter indicating color desired: A=Amber, C=White

Model No.	Option Description
PSBKT451	45° mounting bracket
PSBKT1	Guard for use with or without angle bracket



PSBKT1

PSBKT451

Lighthheads - Super-LED® Warning



ION™ & ION V-Series™

- ION models available in standard or wide-angle
- ION V-Series models available in 3-in-1 combination warning, alley/flood and puddle light or in single color warning only
- Includes steady-burn, alternating and simultaneous patterns
- Integrate with other Whelen products through synchronize feature
- ION DUO™ models feature independent control of interleaved color one and color two
- ION TRIO™ models feature any combinations of interleaved color one, color two and/or color three
Color three has steady-burn override
- Black, White or Chrome housing
- Five year HDP® Heavy-Duty Professional warranty



Model No.	Lamp Type	Tech-nology	Mount	Color	Housing Color	VDC	Amps	Patterns	Cable	Certi-fication	Size		
ION*	warning	ION Super-LED	universal	A, W	Black	12	1/peak 0.40/avg	25 Scan-Lock™	6" pigtail	B, C, D (A)	1" (25mm) H x 1-1/4" (32mm) D x 4" (101mm) L		
IONW*					White								
IONM	split warning			split B/A	Black								C, D (W)
IONWM					White								
WION*	wide-angle			A, W	Black								B, C, D (A/B)
WIONW*					White								
WIONM	split wide-angle		split B/A	Black						C, D (W)			
WIONWM				White									
IONSM*	warning		surface mount, includes flange	A, W	Black						B, C, D (A/B)		
IONSMW*					White								
IONSMC*					Chrome								
IONSM	split angle			split B/A	Black							C, D (W)	
IONSMW		White											
IONSMC		Chrome											
WIONSM*	wide-angle	A, W	Black		B, C, D (A/B)								
WIONSMW*			White										
WIONSMC*			Chrome										
WIONSM	split wide-angle	split B/A	Black		C, D (W)								
WIONSMW			White										
IONV3*	3-in 1 lighthouse with warning alley, and puddle light	ION V-Series Super-LED	universal	A, W warning with W alley and puddle lighting	Black	Warning lights: 0.765, Alley lights: 0.31, Puddle light: 0.12.	C, D	1" (25mm) H x 2-3/16" (56mm) D x 4-1/16" (104mm) L					
IONV3*W					White								
IONSV1*					Black								
IONSV1*W			White										
IONSV3*			Black										
IONSV3*W			White										
IONSV3*C	Chrome												
IONV1*	single color warning only	ION V-Series with TIR directional lights	universal	A, W	Black	1.147		1" (25mm) H x 2-3/16" (56mm) D x 4-1/16" (104mm) L					
IONV1*W					White								
IONSV1*			surface mount, includes flange		Black				1-11/16" (43mm) H x 2" (50mm) D x 5-15/16" (150mm) L				
IONSV1*W					White								
IONSV1*C					Chrome								
I2#	warning	DUO	universal	A/W B/A	Black	1/peak 0.4/avg per color	64	B, C, D (A)	1" (25mm) H x 1-1/4" (32mm) D x 4" (101mm) L				
I3MC		TRIO		B/A/W						25			

Replace symbol* in model number with letter indicating color desired: A=Amber, B=Blue, C=White, R=Red. Replace symbol # with: F=Amber/White, M=Blue/Amber

Model No.	Option Description
IONK1W	Swivel mount bracket, White
IONK1B	Swivel mount bracket, Black
IONGROM	Grommet mount kit
IONPEDB	Black pedestal mount

Model No.	Option Description
IONPEDC	Chrome plated pedestal mount
IONBKT1	License plate bracket for 2 lights
IONBKT4	Rear hatch bracket for 2013-15 Ford Interceptor Utility for 2 lights
IONBKT5	Universal mount, reversed, remove screws without removing light



TIR3™, LIN3™, LINZ6™ & LINV2™

- Includes Black polycarbonate mounting flange
- Fully encapsulated for moisture, vibration and corrosion resistance
- Integrate with other Whelen products through synchronize feature
- Includes steady-burn, alternating and simultaneous patterns
- Split LINZ6 will alternate or simultaneous flash each color segment (3x3)
- LINV2 offers combination 180° warning and puddle light with Scan-Lock™ warning flash patterns
- Five year HDP® Heavy-Duty Professional warranty



Model No.	Lamp Type	Technology	Mount	Color	VDC	Amps	Patterns	Encapsulated	Cable	Certification	Size
RS*03ZCR	warning	TIR3 Super-LED	horizontal, surface	R, A, W	12	0.40/peak 0.16/avg	25 Scan-Lock™	yes	6" pigtail	B (R) C (A) D	1-1/8" (28mm) H x 1-1/4" (32mm) D x 3-1/2" (89mm) L
RV*03ZCR			vertical surface								
RS*02ZCR		LIN3 Super-LED									
LINZ6*	split warning	Split LINZ6 Super-LED	horizontal, surface	split A/A	0.75/peak 0.30/avg	69 Scan-Lock	yes	6" pigtail	B (A/B/R) C D (Class 1)	2" (48mm) H x 1-5/8" (40mm) D x 4" (102mm) L	
LINZ61											
LINV2*	combination warning and puddle light	LINV2 Super-LED	horizontal, surface	A, W	0.75/ warning 0.12/ puddle	25 Scan-Lock	yes	6" pigtail	C, D (A)	1-1/2" (40mm) H x 1-5/8" (42mm) D x 3-7/8" (98mm) L	
LINSV2*			under surface mounting								

Replace symbol* in model number with letter indicating color desired: A=Amber, C=White, R=Red

Model No.	Model	Option Description
RFLANGEC	TIR3 LIN3 LINZ6 LINV2	Chrome plated flange kit
RFLANGCD		Deep Chrome plated flange kit
RFLANGEA		Cast aluminum flange kit
RFLANG2C		Chrome plated flange for dual lightheads
RFLANG2B		Black flange for dual lightheads
RGROMMET		Grommet mount kit except LINV2
RBKT1		Mounting bracket for one lighthead
RBKT2		Mounting bracket for two lightheads
RBKT5		Under sideview mirror bracket
RBKT6		License plate bracket for 2 lightheads-horizontal
RBKT7		License plate bracket for 2 lightheads-vertical
RBKT11	Above rear taillight bracket for Ford F-150	

Model No.	Model	Option Description	
RBKT12	TIR3 LIN3 LINZ6 LINV2	Above rear taillight bracket, Ford F-250/350/450/550	
RBKT13		Above rear taillight bracket, Chevy Silverado	
RBKT14		Above rear taillight bracket, Chevy Silverado/GMC 1500	
RBKT15		Below rear taillight bracket, Ford F-150	
RBKT8B		Black fender mount, Freightliner 2 or International, pair	
RBKT8C		Chrome fender mount, Freightliner 2 or International, pair	
RBKT4		TIR3/LIN3 LINV2	Swivel mounting bracket for one lighthead
LINZ6FC		LINZ6	Deep Chrome plated flange kit
L6BKT5	Under sideview mirror bracket		
LIN4KIT	Convert LINZ6 to mount LIN4 location		



400 Super-LED® Series

- Available with Clear or color lens, V-Series™ has Clear lens only
- NEW V-Series has 3-in-1 combination warning, alley/flood and ground illuminating puddle light
- Available with or without internal flasher
- Single level is surface mount
- Single level models include Scan-Lock™ flash patterns with steady-burn, and synchronize feature
- Dual level has individual control of upper and lower level
- Dual level requires LED flasher and optional mounting, purchased separately (not to be used as steady-burn light)
- Five year HDP® Heavy-Duty Professional warranty



40A02ZCR



40AA5SCR



4V3A

Model No.	Lamp Type	Technology	Mount	Color	VDC	Amps	Patterns	Cable	Certification	Lighthouse Size
40**5SCR	dual level warning	Linear Super-LED	requires optional mounting	A, W	12	1.8/peak 0.72/avg	requires optional flasher	6" pigtail	C W	3-3/16" (77mm) H x 2" (50mm) D x 4-15/16" (124mm) L
40*02Z*R	single level warning					.90/peak 0.36/avg	25 Scan-Lock™			B,C,D
4V3*	warning, alley/flood & puddle light	3-in-1 Super-LED lighting	surface	A, W warning, steady W for alley and puddle		1.2 warning 0.40 alley light 0.12 puddle	warning has 25 Scan-Lock patterns		W	3-1/16" (77mm) H x 2- 3/4" (69mm) D x 4-15/16" (124mm) L

Replace symbol* in model number with letter indicating color desired: A=Amber, C=White First * or ** is for LED color, last * is for lens color.

Model No.	Option Description
4EFLANGE	Chrome plated flange kit for single level only
4FLANGEB	Black flange kit for single level only
4TSMAB	Black surface mount adapter
4TSMAC	Chrome surface mount adapter

Model No.	Option Description
4EGRILP	Grille-Master™ Chrome housing with swivel bracket
4EGRILB	Grille-Master Black housing with swivel bracket
4ILKT1	Polished intersection housing kit, pair, for 4300/4400 International chassis only



4EFLANGE



4FLANGEB



4TSMAB



4TSMAC



4EGRILB



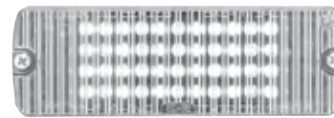
4EGRILP



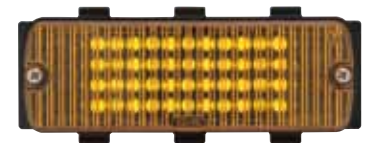
4ILKT1

500 LED Series

- Available with Clear or color lens
- LEDs are rated for thousands of hours of operation
- Polycarbonate construction
- Fully encapsulated for moisture, vibration and corrosion resistance
- Five year HDP Heavy-Duty Professional warranty



5SC00FCR
Surface mount



50A00FAR

Model No.	Lamp Type	Technology	Mount	Color	VDC	Amps	Patterns	Cable	Certification	Lighthouse Size
50*00F*R	directional warning	5mm LED	requires optional mounting	A, W	12	.300/peak .120/avg	14 Scan-Lock	6" pigtail	C D (A)	1-13/16" (46mm) H x 7/8" (22mm) D x 5-3/16" (131mm) L
5S*00F*R			surface							

Replace symbol* in model number with letter indicating color desired: A=Amber, C=White First * is for LED color, second * is for lens color.

See next page for mounting options

500 Super-LED® Series

- Requires optional mounting
- NEW 500 V-Series™ features 3-in-1 warning, alley/flood and White downward projecting ground illumination or puddle light
- NEW! Single color combination 180° and TIR directional warning light, does not include White alley/flood or puddle light feature
- Solid color available with Clear or color lens
- V-Series and split color lights have Clear lens
- LEDs are rated for thousands of hours of operation
- Grommet mount rear waste truck light includes grommet and connector, for use in a light array of seven
- Vertical cab mount light includes Chrome flange (use one per side)
- Five year HDP® Heavy-Duty Professional warranty



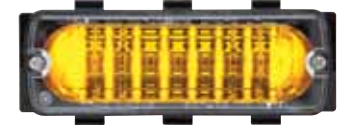
50AA3ZAR



50AB3ZCR



50A02ZAR



50A02ZCR



50AA2SA2
Cab mount



50A02SA1
Rear waste truck light



5V1A



5V3A



5V3 showing puddle light

Model No.	Lamp Type	Tech- nology	Mount	Color	VDC	Amps	Patterns	Cable	Certifi- cation	Lighthead Size					
50*02Z*R	horizontal mount warning	Linear Super-LED	requires optional mounting	A, W	12	1.0/peak .40/avg	25 Scan- Lock™	6" pigtail	B (A/B) C D (A/B)	1-5/8" (41mm) H x 1-3/4" (44mm) D x 5" (127mm) L					
50**2ZCR	horizontal mount split warning			A/A, A/B, A/W, W/W		.50/peak .20/avg per side									
5V*02Z*R	vertical mount warning			A, W		1.0/peak .40/avg									
50AA2SA2	vertical mount for truck cab		includes Chrome flange	A											
50A02SA1	horizontal mount for rear of waste truck		includes grommet & connector	A											
50*03Z*R	warning	TIR6™ Super-LED	requires optional mounting	A, W	12	.63/peak .315/avg	25 Scan- Lock™	6" pigtail	B (R) C D	1-5/8" (41mm) H x 1-3/8" (35mm) D x 5" (127mm) L					
50**3ZCR	split warning			A/A, A/B, A/W, W/W		.315/peak .125/avg per side									
5V1*	warning	V-Series & TIR Super-LED	requires optional mounting	A, W		12					1.5/peak 0.6/avg	25 Scan- Lock™	6" pigtail	B (B) D	2-1/8" (54mm) H x 1-5/8" (42mm) D x 5-3/8" (137mm) L
5V3*	warning, alley/ flood & puddle light	V-Series Super-LED	requires optional mounting	A, W warning, steady W for alley and puddle							0.12 warning 1.0 alley light 0.5 puddle				

Replace symbol * in model number with letter indicating color desired: A=Amber, B=Blue, C=White First * or ** is for LED color, second * is for lens color.

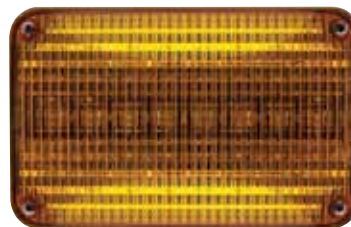
Model No.	500 Series Option Description
5FLANGEB	Black flange kit
5FLANGEC	Chrome plated flange kit
5FLANGEP	Polished aluminum flange kit
5GROMMET	Rubber grommet kit
5TSMAB	Black surface mount adapter, TIR6 Super-LED only
5TSMAC	Chrome plated surface mount adapter, TIR6 Super-LED only
5LSMAB	Black surface mount adapter, Linear-LED® only

Model No.	500 Series Option Description
5LSMAC	Chrome plated surface mount adapter, Linear-LED only
5BRUSH	Aluminum brush guard for TIR6 only, requires flange
5HSGPED	Polished aluminum housing & pedestal swivel mount kit
5HSGB1	7/8"-1" round bar mount, includes housing and flange
5HSGB125	1-1/4" round bar mount kit, includes housing and flange
5BKT1	Universal mounting bracket for Super-LED



600 Series

- Available with Clear or color lens
- NEW 600 Rota-Beam™ Super-LED oscillating light with no moving parts or motors. 100% solid-state with 180° light output
- Hi/Low power (not applicable to Rota-Beam)
- Five year HDP® Heavy-Duty Professional warranty



60A02FAR



6RBAC



6RBA



Model No.	Lamp Type	Technology	Mount	Color	VDC	Amps	Patterns	Cable	Certification	Lighthouse Size
60*02S*R	warning	Linear Super-LED	surface	A, W	12	1.40/peak .53/avg	requires optional flasher	6" pigtail	B, C, D	4-1/8" (105mm) H x 2" (50mm) D x 6-1/2" (165mm) L
60*02F*R						1.4/peak .53/avg	14 Scan-Lock™			
6RB*	oscillating warning	Rota-Beam Super-LED	surface	A, W color lens	12	2.2/peak 1.1/avg	14 Scan-Lock	6" pigtail	W	4-3/16" (106mm) H x 3-7/16" (88mm) D x 6-9/16" (167mm) L
6RB*C				R, B, A, W Clear lens						

Replace symbol* in model number with letter indicating color desired: A=Amber, B=Blue, C=White, R=Red First * or ** is for LED color, second * is for lens color.

Model No.	600 Series Option Description
6FLANGEB	Black flange kit
6EFLANGE	Chrome plated flange kit
64FKIT	Kit to convert 600 Series to fit in old style 64 Series hole cutouts



6EFLANGE



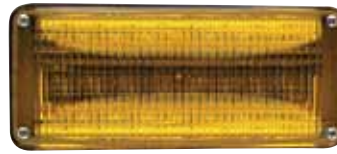
6FLANGEB



64FKIT

700 Series

- Available with Clear or color lens
- Available with or without internal flasher
- Low power
- Five year HDP® Heavy-Duty Professional warranty



70A02SAR / 70A02FAR

Model No.	Lamp Type	Technology	Mount	Color	VDC	Amps	Patterns	Cable	Certification	Lighthouse Size
70*02S*R	warning	Linear Super-LED	surface	A, W	12	.1.40/peak .53/avg	requires optional flasher	6" pigtail	B, C, D	3-1/16" (78mm) H x 1-1/4" (31mm) D x 7-1/4" (184mm) L
70*02F*R						1.4/peak .53/avg per side	14 Scan-Lock™			

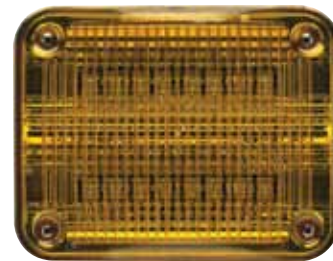
Replace symbol* in model number with letter indicating color desired: A=Amber, C=White
First * or ** is for LED color, second * is for lens color.

Model No.	Option Description
7FLANGEB	Black flange kit
7EFLANGE	Chrome plated flange kit
7CAST3	Polished cast aluminum housing, vertical mount, 3 lamp
7EGRILP	Grille-Master™ Chrome housing with swivel bracket
7EGRILB	Grille-Master Black housing with swivel bracket
7GCV6LRC	Grille mount chrome housing 2006-11 Chevy Express van, pair
73FKIT	Mounting kit to convert 700 Series to fit in old style 73 Series hole cutouts



900 Series

- Largest surface mount with dual level LEDs
- Available with Clear or color lens
- Available with or without internal flasher
- Low power
- Five year HDP Heavy-Duty Professional warranty



90AA5SAR / 90AA5FAR

Model No.	Lamp Type	Technology	Mount	Color	VDC	Amps	Patterns	Cable	Certification	Lighthouse Size
90**5S*R	warning	Linear Super-LED	surface	A, W	12	2.8/peak 1/avg	requires optional flasher	6" pigtail	B, C, D	7-1/8" (181mm) H x 1-3/8" (35mm) D x 9-1/8" (232mm) L
90**5F*R						2.8/peak 1/avg	14 Scan-Lock steady-burn & Hi/Low			

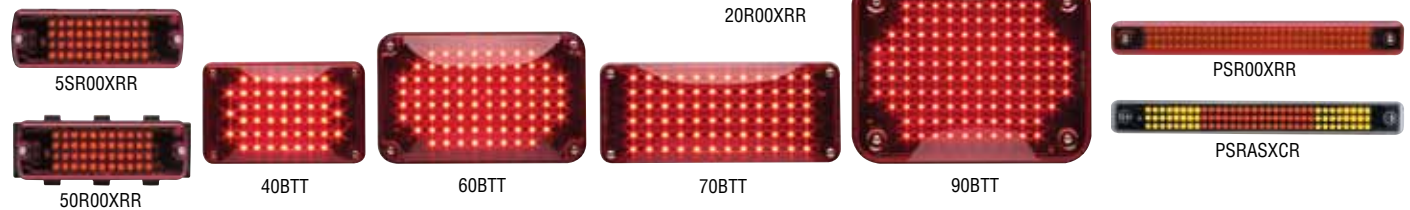
Replace symbol* in model number with letter indicating color desired: A=Amber, C=White
First * or ** is for LED color, second * is for lens color.

Model No.	900 Series Option Description
90FLANGB	Black flange kit
90FLANGC	Chrome plated flange kit
97FKIT	Mounting kit to convert 900 Series to fit in old style 97 Series hole cutouts



LED Brake/Tail/Turn Lights

- Fully encapsulated for moisture, vibration and corrosion resistance
- Hard coated lenses minimize environmental damage from the sun, salt and road chemicals
- Five year HDP® Heavy-Duty Professional warranty



Model No.	Lamp Type	Technology	Mount	Color	LENS	VDC	Amps	Cable	Certification	Lighthouse Size
20R00XRR	4" Round B/T/T	LED	requires optional mounting	R	R	12	.4 high .04 low	6" pigtail	J, K, L, Y, X, Q	4-1/4" dia.
M6BTT	M6 Series B/T/T	Super-LED®	surface				0.85 brake 0.06 tail		J, K, L, X, Y	4-5/16" (109mm) H x 1-3/8" (35mm) D x 6-3/4" (170mm) L
M9BTTX	M9 Series B/T/T						0.75 brake 0.55 tail		J, K, I	6-1/2" (165mm) H x 1-3/8" (35mm) D x 10-3/8" (263mm) L
40BTT	400 Series B/T/T						.375 brake .040 tail			3-3/16" (77mm) H x 2-3/4" (69mm) D x 4-15/16" (124mm) L
5SR00XRR	500 Series B/T/T	LED	requires optional mounting				.25 high .05 low		A, B, C, W	1-5/8" (41mm) H x 1-3/4" (44mm) D x 5" (127mm) L
50R00XRR							600 Series B/T/T			Super-LED
60BTT	700 Series B/T/T	3-1/16" (78mm) H x 1-1/4" (31mm) D x 7-1/4" (184mm) L								
70BTT	900 Series B/T/T	7-1/8" (181mm) H x 1-3/8" (35mm) D x 9-1/8" (232mm) L								
90BTT	Strip-Lite™ B/T/T	LED					.5 high/.05 low		J, K	1" (25mm) H x 1-3/8" (35mm) D x 11-1/2" (292mm) L
PSR00XRR							PSRASXCR		LED with turn	R/A

Option Model No.								Option Description
4" Round	M6	M7	500	600	700	900	Strip-Lite	
2FLANGEC	M6FC	M7FC	5FLANGEC	6EFLANGE	7EFLANGE	90FLANGC	-	Chrome plated flange
2FLANGEB	M6FB	M7FB	5FLANGEB	6FLANGEB	7FLANGEB	90FLANGB	-	Black flange
-	M6BRUSH	M7BRUSH	5BRUSH	-	-	-	PSBKT1	Brush guard
2GBKT1	-	-	5GBKT1	-	-	-	-	"L" bracket
-	-	-	5FLANGEP	-	-	-	-	Polished aluminum flange
2GROMMET	-	-	5GROMMET	-	-	-	-	Grommet mount kit
-	M6FCV2	-	-	-	-	-	-	Chrome flange for two lighthoods, vertical
-	M6FCV3	-	-	PLAST3V	-	-	-	Chrome flange for three lighthoods, vertical
-	M6FCV4	-	-	PLAST4VL	-	-	-	Chrome flange for four lighthoods, vertical
-	-	-	-	CAST3H	-	-	-	Three lighthouse cast aluminum housing, horz.
-	-	-	-	CAST3	7CAST3	-	-	Three lighthouse cast aluminum housing, vert.
-	-	-	-	CAST4V	-	-	-	Four lighthouse cast aluminum housing, vert.
LEDLOAD								Adds additional amperage load



LED Turn Signals

- Arrows may be mounted left or right
- 400 LED Series is turn indicator/front marker clearance light combination
- M Series are surface mounted
- Mounting options are purchased separately
- Five year HDP® Heavy-Duty Professional warranty



Model No.	Lamp Type	Technology	Mount	Color	VDC	Amps	Patterns	Cable	Certification	Lighthouse Size
M6T	M6 Series	LED	surface mount	A	12	.75/max	8	6" pigtail	L, Y	4-5/16" (109mm) H x 1-3/8" (35mm) D x 6-3/4" (170mm) L
M9T	M9 Series					1.2/max				6-1/2" (165mm) H x 1-3/8" (35mm) D x 10-3/8" (263mm) L
40A00AAR	400 Series		surface mount optional mounting available			.4/max .06/avg	2		X, Y	3-3/16" (77mm) H x 2-3/4" (69mm) D x 4-15/16" (124mm) L
60A00TAR	600 Series					.7/max .35/avg	6			L, Y
70A00TAR	700 Series					.9/max .45/avg			3-1/16" (78mm) H x 1-1/4" (31mm) D x 7-1/4" (184mm) L	
90A00TAR	900 Series					1.25/max 1/avg	17		7-1/8" (181mm) H x 1-3/8" (35mm) D x 9-1/8" (232mm) L	

LED						Option Description
M6	M9	400	600	700	900	
M6FC	M9FC	4FLANGE	6FLANGE	7FLANGE	9FLANGE	Chrome plated flange
M6FB	M9FB	4FLANGEB	6FLANGEB	7FLANGEB	9FLANGEB	Black flange
M6BRUSH	M9BRUSH	-	-	-	-	Brush guard
-	-	-	-	-	-	Polished aluminum flange
-	-	-	-	-	-	Grommet mount kit
M6FCV2	-	-	-	-	-	Chrome flange for two lighthoods, vertical
M6FCV3	-	-	PLAST3V	-	-	Chrome flange for three lighthoods, vertical
M6FCV4	-	-	PLAST4VL	-	-	Chrome flange for four lighthoods, vertical
-	-	-	CAST3H	-	-	Three lighthouse cast aluminum housing, horizontal
-	-	-	CAST3	7CAST3	-	Three lighthouse cast aluminum housing, vertical
-	-	-	CAST4V	-	-	Four lighthouse cast aluminum housing, vertical
M6FC600	M9FC900	-	-	-	-	Chrome flange converts to hundred series lighthouse



Lightheads - Back-up Lights



Super-LED® & LED Back-Up Lights

- M Series are surface mounted
- Mounting options are purchased separately
- 400, 600 and 700 Series LED may additionally be used as interior lights
- Five year HDP® Heavy-Duty Professional warranty



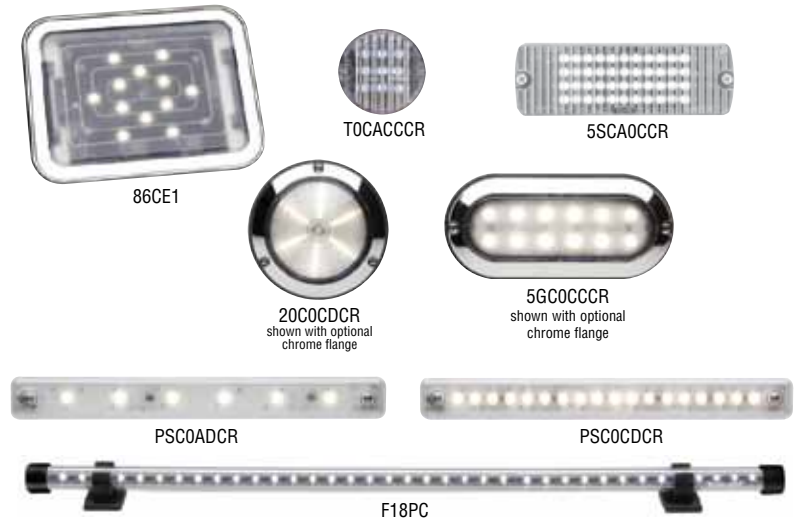
Model No.	Lamp Type	Technology	Mount	Color	VDC	Amps	Patterns	Cable	Certification	Lighthouse Size
M6BUW	M6 Series	Super-LED	surface mount	W	12	1.6	steady	6" pigtail	N	4-5/16" (109mm) H x 1-3/8" (35mm) D x 6-3/4" (170mm) L
M9BUW	M9 Series		includes grommet			1.8				6-1/2" (165mm) H x 1-3/8" (35mm) D x 10-3/8" (263mm) L
5GC00WCR	5G Series	includes grommet	.15			3-3/16" (77mm) H x 1-1/2" (38mm) D x 7-7/16" (189mm) L				
50C00WCR	500 Series	LED	mounting required			.35				1-5/8" (41mm) H x 1-3/4" (44mm) D x 5" (127mm) L
40C00VCR	400 Series		may be surface mounted			.35				3-3/16" (77mm) H x 2-3/4" (69mm) D x 4-15/16" (124mm) L
60C00VCR	600 Series	LED minimum	optional mounting available			.35				4-1/8" (105mm) H x 1-3/8" (35mm) D x 6-1/2" (165mm) L
60C00WCR		LED maximum				0.6				
70C00VCR	700 Series	LED minimum	optional mounting available			.35				3-1/16" (78mm) H x 1-1/4" (31mm) D x 7-1/4" (184mm) L
70C00WCR		LED maximum				0.5				

Option Model Number						Option Description
Super-LED		LED				
M6	M9	400	500	600	700	
M6FC	M9FC	4FLANGE	5FLANGEC	6FLANGE	7FLANGE	Chrome plated flange
M6FB	M9FB	4FLANGEB	5FLANGEB	6FLANGEB	7FLANGEB	Black flange
M6BRUSH	M9BRUSH	-	5BRUSH	-	-	Brush guard
-	-	-	5FLANGEP	-	-	Polished aluminum flange
-	-	-	-	-	-	Grommet mount kit
M6FCV2	-	-	-	-	-	Chrome flange for two lightheads, vertical
M6FCV3	-	-	-	PLAST3V	-	Chrome flange for three lightheads, vertical
M6FCV4	-	-	-	PLAST4V	-	Chrome flange for four lightheads, vertical
-	-	-	-	CAST3H	-	Three lighthouse cast aluminum housing, horizontal
-	-	-	-	CAST3	7CAST3	Three lighthouse cast aluminum housing, vertical
-	-	-	-	CAST4V	-	Four lighthouse cast aluminum housing, vertical
M6FC600	M9FC900	-	-	-	-	Chrome flange converts to hundred series lighthouse



Super-LED® & LED Interior Lighting

- Super-LED model 86CE1 has 12 diodes and Hi/Low control, and is certified to KKK 1822-F when properly installed
- LED 2" Round Series includes 2-1/2" adapter for customer supplied 2-1/2" grommet, plus a 3" and 3-1/2" flange mount
- Strip-Lite™ available in two levels of intensity
- Fluorent Plus™ Series is available in increments of 9" (228mm) and includes both a C clip for snap-in and P clip for fixed mounting. Silicone rubber end caps
- Five year HDP® Heavy-Duty Professional warranty



Model No.	Lamp Type	Technology	Mount	VDC	Amps	Cable	Lighthead Size		
86CE1	rectangular interior dome	Super-LED	requires cut-out, includes flange	12	2/high .20/low	6" pigtail	6-7/16" (163mm) H x 1-1/4" (32mm) D x 8-3/16" (208mm) L		
TOCACCRR	2" round compartment	5mm LED	surface		.025		6" pigtail includes Deutsch® connector	2" (51mm) Dia.	
5SCA0CCR	500 Series compartment	56 diode LED			1-5/8" (41mm) H x 1-3/4" (44mm) D x 5" (127mm) L				
20C0CDCR	2G Series (4" round) compartment	Super-LED 12 diode	surface mount requires optional mounting		.360	6" pigtail includes Deutsch® connector	4" (102mm) Dia.		
20C0CDCD									
5GC0CCCR	5G Series compartment	Super-LED	Includes Black grommet, requires optional mounting		.525	6" pigtail	3-3/16" (81mm) H x 1-1/2" (38mm) D x 7-7/16" (189mm) L		
PSC0ADCR	Strip-Lite compartment	6 diode LED	surface		.240		6" pigtail	1" (25mm) H x 1-3/8" (35mm) D x 11-1/2" (292mm) L	
PSC0CDCR		18 diode LED			.480				
F09PC	Fluorent Plus compartment tube lighting	Super-LED			surface			.06	5/8" (16mm) H x 9" (228mm) L
F18PC								.125	5/8" (16mm) H x 18" (457mm) L
F27PC								.16	5/8" (16mm) H x 27" (686mm) L
F36PC								.18	5/8" (16mm) H x 36" (914mm) L
F45PC								.24	5/8" (16mm) H x 45" (114cm) L
F54PC								.32	5/8" (16mm) H x 54" (137cm) L
F63PC				.42				5/8" (16mm) H x 63" (160cm) L	

Model No.	Series	Option Description
TFLANGEC	2" Round	Surface mount Chrome plated flange kit
TFLANGEB		Surface mount Black flange kit
TGROM2		Grommet mounting kit
2GFLANGC	2G (4" round)	Surface mount Chrome plated flange kit
2GFLANGB		Surface mount Black flange kit
2GROMMET		Grommet mounting kit

Model No.	Series	Option Description
5GFLANGC	5G	Surface mount Chrome plated flange kit
5GFLANGB		Surface mount Black flange kit
PSBKT451	Strip-Lite	45° stainless steel bracket



Super-LED® & LED Interior Lighting

- 3" Round Red, Red/White and Blue/White for better night vision and includes independent control of color and White light
- 6" Round extreme low profile surface mount is available in 24 volt models
- 700 Series has illuminated switches
- 8" Round has high lumen output of 1,000/Hi and 80/Low, simulating natural light at midday.
- Five year HDP® Heavy-Duty Professional warranty



Model No.	Lamp Type	Technology	Mount	Housing	Switch	VDC	Amps	Cable	Size	
3SC0CDCR	3" Round LED	compartment White	surface optional mounting available	rubber gasket housing	-	12	.380	6" pigtail	3" (76mm) Dia.	
3SROCDRR		nighttime illumination Red					.300			
3SBCCDCR		compartment split Blue/White					.310			
3SRCCDCR		compartment split Red/White								
60C0EHCR	6" Round Super-LED	compartment 18 diode, White	surface	-	-	12	1.2/high .13/low	6" pigtail	6" (152mm) Dia. x 5/8" (16mm) D	
60C0EJCS		compartment 6 diode, White					On/Off			.70/high
60CBEGCS		compartment 6 Blue diodes & 6 White diodes					dual switches for On/Off color and On/ Off and White			.70/White .50/Blue
60CREGCS		compartment 6 Red diodes & 6 White diodes					backlighted dual switches for On/Off color and White			.70/White .50/Red
70CREGCS	700 Series	compartment 30 Red diodes & 30 White diodes					.35/White .50/Red 2mA/ switch		3-1/16" (78mm) H x 1-1/4" (31mm) D x 7-1/4" (184mm) L	
80C0EHCR	8" Round Super-LED ambulance light	18 diode, White	4 screws, fits industry standard 8" cutout, no mounting hardware required	Chrome flange	built-in Hi/Low intensity	12	1.2/high .13/low	6" pigtail	8-5/8" (218mm) Dia. x 1" (24mm) D	
80C00EZR		18 diode, White	fits 8" cutout with spring clip mounting, no mounting hardware required	White flange						
8WC00EZR										
80CBEHCR		6 White diodes 3 Blue diodes	4 screws	Chrome flange			1.5/White .50/color			
80CREHCR		6 White diodes 3 Red diodes								

Model No.	3" Round Options
3FLANGEC	Chrome plated flange, surface mount
3GROMMET	Grommet mount



Illumination, Marker or Clearance Lighting and PAR Replacement Lamps

- OS™ Series includes Chrome housing. It's 45° angle illuminates step surfaces and areas needing angled lighting. Interior or exterior use
- OS Series marker/clearance has Clear lens
- 2" Round Series marker or clearance light includes 2-1/2" adapter for customer supplied 2-1/2" grommet, plus a 3" and 3-1/2" flange mount. Includes color lens
- PEL Series has 40° downward projected light for illumination of vehicle's perimeter
- PAR lights have heavy-duty heatsink and industry standard brass slotted head connection point
- Five year HDP® Heavy-Duty Professional warranty



Model No.	Lamp Type	Technology	Mount	Color	Housing Color	VDC	Amps	Patterns	Cable	Lighthouse Size
OSCOEDCR	OS Series	LED White illumination	surface	W	Chrome	12	0.3	steady	6" pigtail	1" (25mm) H x 1/2" (13mm) D x 1-1/2" (38mm) L
OACOEDCR			45° angle surface							1" (25mm) H x 7/8" (21mm) D x 1-7/8" (48mm) L
OSA00MCR		LED marker or clearance	surface	A						1" (25mm) H x 1/2" (13mm) D x 1-1/2" (38mm) L
OSR00MCR			surface	R						2" (51mm) Dia.
TOA00MAR	2" Round marker or clearance	LED marker or clearance	surface	A	-	.85	.85/max 0.5/avg	steady	6" pigtail	1" (25mm) H x 1-3/8" (35mm) D x 11-1/2" (292mm) L
TOR00MRR				R						
PELCC	PEL Series downward projecting ground perimeter lighting	1000 lumen Super-LED illumination	surface	W	Chrome	24	.37	steady	6" pigtail	1" (25mm) H x 1-3/8" (35mm) D x 11-1/2" (292mm) L
PELCB					Black					
PELCC4					Chrome					
PELCB4					Black					
P46SLC	PAR-46	2° Spotlight	drop-in replacement for outdated halogen spotlight lamps	W	Black powder coated die-cast aluminum heatsink	12	23	steady	6" pigtail	5-5/8" (144mm) Dia x 2-11/16" (69mm) D
P46FLC		8° Spotlight								5-5/8" (144mm) Dia x 1-13/16" (46mm) D
P46WLC		20° high x 60° wide Floodlight								
P36SLC	PAR-36	2° Spotlight				12/24	0.85 @ 12 VDC 0.325 @ 24 VDC	steady	6" pigtail	4-1/2" (111mm) Dia. x 2" (51mm) D

Replace symbol * in model number with letter indicating color desired: A=Amber, B=Blue, C=White, R=Red

Model No.	2" Round Option Description
TGROM2	Rubber grommet mount
TFLANGEC	Surface mount flange, Chrome
TFLANGEB	Surface mount flange, Black



Super-LED® and LED Scenelights

- Super-LED surface mounts are instant on with no warm-up time
- 500 Series lightheads requires mounting option, purchased separately
- 900 Series lightheads are certified to meet KKK 1822-F requirements and AMD 024 Standard
- Five year HDP® Heavy-Duty Professional warranty



Model No.	Lamp Type	Technology	Mount	Color	VDC	Amps	Patterns	Cable	Lighthead Size
50C000ZR	500 Series	LED	requires optional mounting	W	12	.300	steady	6" pigtail	1-5/8" (41mm) H x 1-3/4" (44mm) D x 5" (127mm) L
6SCOENZR	600 Series	Super-LED	surface			1			4-1/8" (105mm) H x 1-3/4" (44mm) D x 6-1/2" (165mm) L
60C0ELZR			recess			2			3-1/16" (78mm) H x 1-3/4" (44mm) D x 7-1/4" (184mm) L
70C0ELZR	700 Series		6			7-1/8" (181mm) H 1-3/4" (44mm) D x 9-1/8" (232mm) L			
M6ZC	M6 Series		2			4-5/16" (109mm) H x 1-3/8" (35mm) D x 6-3/4" (170mm) L			
M7ZC	M7 Series		2.25/peak .9/avg			3-3/8" (86mm) H x 1-3/8" (35mm) D x 7-5/8" (194mm) L			
M9LZC	M9 Series		6			6-1/2" (165mm) H x 1-3/8" (35mm) D x 10-3/8" (263mm) L			

Option Model Number							Option Description
LED	Super-LED						
500	M6	M7	M9	600	700	900	
5FLANGEC	M6FC	M7FC	M9FC	6FLANGE	7FLANGE	90FLANGC	Chrome plated flange
5FLANGEB	M6FB	M7FB	M9FB	6FLANGEB	7FLANGEB	90FLANGB	Black flange
5GROMMET	-	-	-	-	-	-	Grommet mount kit



Pioneer Nano™

- Available in 3 or 6 diode models
- Die-cast aluminum powder coated housing in Black or White
- Rated to last thousands of hours with remarkable bright light
- 8° spotlight pattern, comes standard. Includes additional optic lens for a light pattern choice of 40° x 20° flood
- Optic lens changes easily via four screws in picture frame fixture
- Powder coated stainless steel bail bracket with 3/8" stud carriage bolt mount
- Models available in 24 Volts, contact factory
- Five year HDP® Heavy-Duty Professional warranty



NP3BW



NP6BW

Model #	Diodes	Mount	Housing Color	Volts	Amps	Watts	Cable	Lumens	Size with mounting
NP3BW	3	bail/stud with 3/8" carriage bolt	White	12	1	12.8	6 foot	1100	2-1/4" (57mm) H x 1-3/4" (44mm) D x 3.5" (89mm) L
NP3BB			Black						
NP6BW	6		White		1.5	19.6		1800	
NP6BB			Black						

Pioneer Micro™

- Die-cast aluminum powder coated housing in Black or White
- Rated to last thousands of hours with remarkable bright light
- 8° spotlight pattern, comes standard. Includes three additional optic lenses for a light pattern choice of:
 - 90° x 20° wide flood
 - 40° x 20° flood
 - 40° x 8° horizontal flood
- Optic lens changes easily via four screws in picture frame fixture
- Four mountings available:
 - Powder coated stainless steel bail bracket with 3/8" stud carriage bolt mount
 - Two recessed mounts available with Chrome flange for straight out or 15° downward angle
 - Heavy-duty pedestal/swivel available with Chrome or Black back cover and On/Off switch
- Models available in 24 Volts, contact factory
- Five-year HDP Heavy-Duty Professional warranty



MPBW



MPBB



MPPBCS



MPR15W



MPRW

Model #	Mount	Housing Color	Switch	Volts	Amps	Watts	Cable	Lumens	Size with mounting						
MPBW	bail/stud	White	-	12	3.6A	44.8	6 foot	4100	4-5/8" (118mm) H x 3-1/8" (80mm) D x 4-3/4" (121mm) L						
MPBB		Black													
MPRW	White														
MPRB	recessed Chrome straight flange	Black							6-1/8" (155mm) H x 2-7/8" (72mm) D x 6-11/16 (170mm) L						
MPR15W	recessed Chrome 15° downward angled flange	White													
MPR15B	Black														
MPPW	pedestal/swivel	White							includes On/Off switch	12	3.6A	44.8	6 foot	4100	8-5/8" (220mm) H x 3-3/4" (94mm) D x 5-1/8" (129mm) L
MPPB		Black													
MPPWCS		White with Chrome back cover													
MPPBCS		Black with Chrome back cover													
MPPBBS		Black with Black back cover													

Pioneer SlimLine™ Series

- Die-cast aluminum powder coated housing in White or Black
- Rated to last thousands of hours with remarkable bright light
- Single lamp models include 8° spotlight lens supplied on lighthouse and one additional lens supplied for light dispersion of 40°x 20° flood
- Dual lamp models include 8° spotlight lens supplied on lighthouse, and two additional lenses are supplied for light dispersion of 40°x 20° flood and 8° spot/40°x 20° flood
- Recessed mount models available in straight and 15° downward angle with chrome trim flange
- Bail bracket works for horizontal and vertical mounting positions
- Models available in 24 Volts, contact factory
- Five year HDP® Heavy-Duty Professional warranty



PSL1B



PSL2BB



PSL1P



PSL2P



PSL1R



PSL2R



Model #	Mount	Lamp	Housing Color	Volts	Amps	Watts	Cable	Lumens	Size including mounting
PSL1B	Bail/Stud	single	White	12	3	39.2	20'	3600	3-1/4" (82mm) H x 2-1/8" (55mm) D x 6-7/8" (175mm) L
PSL1BB			Black						
PSL2B		dual	White		6.1	78.3		7300	3-1/4" (82mm) H x 2-1/8" (55mm) D x 12-1/2" (317mm) L
PSL2BB			Black						
PSL1R	Recessed Chrome straight flange	single	White		3	39.2		3600	6-3/8" (160mm) H x 2" (51mm) D x 9-7/8" (251mm) L
PSL1RB			Black						
PSL2R		dual	White		6.1	78.3		7300	6-5/8" (168mm) H x 2-5/8" (65mm) D x 15-1/2" (394mm) L
PSL2RB			Black						
PSL1R5	Recessed Chrome 15° downward angled flange	single	White		3	39.2		3600	6-3/8" (160mm) H x 2" (51mm) D x 9-7/8" (251mm) L
PSL1R5B			Black						
PSL2R5		dual	White		6.1	78.3		7300	6-5/8" (168mm) H x 2-5/8" (65mm) D x 15-1/2" (394mm) L
PSL2R5B			Black						
PSL1P	Low profile pedestal/swivel	single	White	3	39.2	3600	5-5/8" (143mm) H x 1-7/8" (48mm) D x 6-7/8" (175mm) L		
PSL1PB			Black						
PSL2P		dual	White	6.1	78.3	7300	5-5/8" (143mm) H x 1-7/8" (48mm) D x 12-1/2" (317mm) L		
PSL2PB			Black						

Pioneer™ Surface Mount

- Extruded aluminum housing
- Rated to last thousands of hours with remarkable bright light
- Combination spot/flood (patent pending) optic design projects light directly down at 5° producing illumination to the side of the vehicle arching upward to 90° pattern of light
- Solid-state electronics
- Instant On/Off eliminates ramp up time and high current in-rush
- Lights feature built-in nylon screw grommets eliminating galvanic corrosion
- Uniquely designed molded two part silicone grommet seals the 1" wire entry into the body
- Engineered thermal design keeps LEDs running cool and efficiently
- DC (Single or Dual) Pioneer models meets SAE1113-42 Class 5 testing for EMI
- AC models are coming soon pending UL® approval
- Five year HDP® Heavy-Duty Professional warranty



PCPSM2C



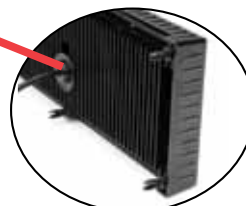
PCPSM1B



Model	Series	Lamp Type	Housing	Volts	Amps	Watts	Lumens	Size
PCPSM1C	Pioneer Plus Spot/Floodlight	single	Chrome	12 VDC	6	76	8,000	6-3/8" (162mm) H x 1-3/4" (44mm) D x 9" (228mm) L
PCPSM1B			Black					
PCPSM2C		dual	Chrome		12	154	16,000	
PCPSM2B			Black					
PCPSM14C	VDC models	single	Chrome	24 VDC	3	76	8,000	6-3/8" (162mm) H x 1-3/4" (44mm) D x 9" (228mm) L
PCPSM14B			Black					
PCPSM24C		dual	Chrome		6	154	16,000	
PCPSM24B			Black					
PCPSM1AC	Pioneer Plus Spot/Floodlight	single	Chrome	120 VAC	0.6	72	7,500	6-3/8" (162mm) H x 1-3/4" (44mm) D x 9" (228mm) L
PCPM1AB			Black					
PCPSM2AC	VAC models pending UL® listing	dual	Chrome		1.2	144	15,000	
PCPSM2AB			Black					



Unique thermal plastic rubber grommet seals 1" wire entry



Unique screw grommet system and grommet seals tight to vehicle's body

Pioneer™ Quad

- Four high intensity 120 AC Pioneer Plus lamps for Flood lighting and combination Flood/Spot lighting
- Die cast aluminum powder coated housing includes supporting hardware
- Rated to last thousands of hours with remarkable bright light
- Engineered thermal design keeps LEDs running cool and efficiently, eliminating decreased diode output over long hours of operation
- Universal side bail bracket tilts $\pm 25^\circ$ up or down
- 3/4" NPT pedestal/pole mount fits most industry standard poles
- Removable handle standard on pole/pedestal mount
- Floodlights are UL® approved
- Spot/Floodlight models pending UL approval
- 120 AC models will operate using a generator to provide floodlighting at a distance away from the vehicle's voltage source without significant voltage drops
- Five year HDP® Heavy-Duty Professional warranty



PFP4AW
PCP4AW



PFP4AWP1
PCP4AWP1
Pole/Pedestal Mount



Model	Series	Mounting	Switch	Housing Color	Volts	Amps	Watts	Lumens	Size
PFP4AW	AC Floodlights	Lighthouse only	-	White	120 AC	2.5 AC	300 watts	30,000	7-3/8" (187mm) H x 3-3/16" (80mm) D x 14-1/16" (357mm) L
PFP4AB			-	Black					
PFP4AWP		Pole/Pedestal Mount	-	White					
PFP4AWP1			1 Switch						
PFP4AWP2			2 Switch						
PFP4ABP			-	Black					
PFP4AABP1			1 Switch						
PFP4AABP2			2 Switch						
PFP4AWB		Universal Side Bail Mount	-	White					
PFP4ABB		Universal Side Bail Mount	-	Black					
PCP4AW	AC Flood/Spotlights	Lighthouse only	-	White					
PCP4AB			-	Black					
PCP4AWP		Pole/Pedestal Mount	-	White					
PCP4AWP1			1 Switch						
PCP4AWP2			2 Switch						
PCP4ABP			-	Black					
PCP4AABP1			1 Switch						
PCP4AABP2			2 Switch						
PCP4AWB		Universal Side Bail Mount	-	White					
PCP4ABB		Universal Side Bail Mount	-	Black					

Pioneer™ & Pioneer Plus™ Series Floodlights

- Long life LED operation with low current draw and low operating temperature
- LEDs operate at very high light efficiency producing high lumen output per watt
- Available in four intensities
- Die cast aluminum powder coated housing
- Rated to last thousands of hours with remarkable bright light
- Solid-state electronics and lamps
- Instant On/Off eliminates ramp-up time and high current in-rush
- Recessed housing mounts straight out or 15° fixed downward angle to maximize light effectiveness
- Removable handle standard on pedestal and pole mount models
- DC Pioneer models meet SAE 1113-42, Class 5 testing for EMI
- Available in 12, 24 VDC and UL® listed 120 VAC
- 120 VAC models will operate using a generator to provide floodlighting at a distance away from the vehicle's voltage source without significant voltage drops
- HDP® Heavy-Duty Professional five year warranty



PFA1 Floodlight



PFP2 Floodlight



Lighthouse only (Mounting Purchased Separately)

Model	Series	Lamp Type	Housing Color	Volts	Amps	Watts	Lumens	Size
PFA1	Pioneer Floodlight	single	White	12	3.1	39.7	3,700	Single: 3-11/16" (94mm) H x 2-1/2" (64mm) D x 8-1/8" (206mm) L Dual: 3-11/16" (94mm) H x 2-1/2" (64mm) D x 14" (356mm) L
PFA2		dual			6.1	78.8	7,400	
PFA14		single		24	1.5	39.7	3,700	
PFA24		dual			3	78.1	7,400	
PFA1B		single	Black	12	3.1	39.7	3,700	
PFA2B		dual			6.1	78.1	7,400	
PFA14B		single		24	1.5	39.7	3,700	
PFA24B		dual			3	78.1	7,400	
PFP1	Pioneer Plus Floodlight	single	White	12	6.5	73.2	8,100	
PFP2		dual			13	166.4	16,000	
PFP14		single		24	3.05	83.2	7,400	
PFP24		dual			6.5	166.4	16,000	
PFP1B		single	Black	12	6.5	83.2	8,100	
PFP2B		dual			13	166.4	16,000	
PFP1AC		single		White	120 VAC models pending UL® listing	.6	75	7,500
PFP2AC		dual				1.2	150	15,000

Pioneer™ & Pioneer Plus™ Series Spotlights & Combination Spot/Floodlights

- Long life LED operation with low current draw and low operating temperature
- LEDs operate at very high light efficiency producing high lumen output per watt
- Die cast aluminum powder coated housing
- Rated to last thousands of hours with remarkable bright light
- Spotlights are available in single lamp 2° and 8° models. Dual lamp Floodlight/8° Spotlight combination and Pioneer Max™ dual floodlight with dual 8° spotlights
- Solid-state electronics and lamps
- Instant On/Off eliminates ramp-up time and high current in-rush
- Recessed housing mounts straight out or 15° fixed downward angle to maximize light effectiveness
- Removable handle standard on pedestal and pole mount models
- DC Pioneer models meet SAE 1113-42, Class 5 testing for EMI
- Available in 12, 24 VDC and UL® listed 120 VAC
- 120 VAC models will operate using a generator to provide floodlighting at a distance away from the vehicle's voltage source without significant voltage drops
- HDP® Heavy-Duty Professional five year warranty



PTP1- 2° Spotlight



PSP1- 8° Spotlight



PCP2 - Floodlight & 8° Spotlight



PCP3 - Pioneer Max Floodlight & 8° Spotlight



Lighthead only (Mounting Purchased Separately)

Model	Series	Lamp Type	Housing Color	Volts	Amps	Watts	Lumens	Size
PTP1	Pioneer Plus Spotlight	single 2°	White	12	6.5	83.2	8,000	3-11/16" (94mm) H x 2-1/2" (64mm) D x 8-1/8" (206mm) L
PSP1		single 8°			6.5	75	8,000	
PCP2	Pioneer Plus Spotlight/Floodlight	dual combination Floodlight & 8° Spotlight			12	75/75	8,000/8,000 16,000 total	3-11/16" (94mm) H x 2-1/2" (64mm) D x 14" (356mm) L
PCP3	Pioneer Max Spotlight/Floodlight	combination dual Floodlight & dual 8° Spotlight			White	12	16.5	225
PCP3B			Black					
PCP34			White	24	8.2	210.4	20,000	
PCP34B			Black					
PSP1AC	Pioneer Plus 8° Spotlight	single 8°	White	UL® Listed 120 AC	.6	75	7,500	Single: 3-11/16" (94mm) H x 2-1/2" (64mm) D x 8-1/8" (206mm) L
PCP2AFS	Pioneer Plus Spotlight/Floodlight	dual Flood - Left Spot - Right			1.2	150	15,000	Dual: 3-11/16" (94mm) H x 2-1/2" (64mm) D x 14" (356mm) L
PCP2ASF		dual Flood - Right Spot - Left			1.2	150	15,000	
PCP3A	Pioneer Max Spotlight/Floodlight	combination dual Floodlight & dual 8° Spotlight			Black	1.5	180	17,000
PCP3AB			1.5	180		17,000		

Pioneer™ & Pioneer Plus™ Series Mounting Options



PBAPEDA/
PBAPEDD
Pedestal
mount
adapter



PBA103/PBA203
Semi recessed mount with
Chrome trim ring



PBA106U/PBA206U
Universal bail bracket



PFP1LP
Low profile pedestal/swivel mount

Mounting Options (Lighthoods Purchased Separately)

Model #	Series	Lamp	Description	Size
PBAPEDA		single & dual	pedestal mount adapter for AC models, includes 20' of 3-C cable	4-1/2" (115mm) H x 3-1/8" (79mm) D x 3-1/8" (79mm) L
PBAPEDD			pedestal mount adapter for DC models, includes 20' of 4-C cable	
PBA103	mounting options only for Pioneer and Pioneer Plus lighthoods	single	semi-recessed mount with Chrome trim ring, housing mounts the floodlights straight out or at 15° downward angle	7-5/8" (194mm) H x 3-3/4" (82mm) D x 11-7/8" (208mm) L
PBA203		dual		7-15/16" (201mm) H x 3-3/4" (82mm) D x 17-3/16" (436mm) L
PBA106U		single	universal bail bracket tilts up/down, adjustable to 25° upward or downward angle	4-5/8" (118mm) H x 3-3/16" (80mm) D x 8-3/16" (208mm) L
PBA206U		dual		4-5/8" (118mm) H x 3-3/16" (80mm) D x 14" (357mm) L

Pedestal/Swivel Mounting (Lighthood Included with Mounting)

Model #	Series	Lamp	Lamp Type	Voltage	Housing	Size
PFA1LP	Pioneer		floodlight	12 VDC	White	7" (158mm) H x 3-1/8" (80mm) D x 8-3/16" (208mm) W
PFA1LPB					Black	
PFP1LP	Pioneer Plus	single	8° spotlight	12 VDC	White	
PFP1LPB					Black	
PSP1LP					White	
PSP1LPB					Black	
PTP1LP			2° spotlight		White	
PTP1LPB					Black	
PSP1ALP	8° spotlight		120 VAC	White		
PSP1ALPB				Black		

Freedom® Lightbar Mounting

Designed for the Freedom LED Lightbar flashing/steady-burn flasher module, standard in each bar. This option allows you to mount one or two lamp Pioneer or Pioneer Plus floodlights with 20° adjustable angle without having to drill mounting and wire holes on your vehicle. Accommodates Freedom lightbars 55" and up. Includes all mounting hardware.



Mounting	Series	Lamp	Description
PFA1LB1	Pioneer	single	one Pioneer, center mounted for 55" and up
PFA1LB2			two Pioneers with mounting brackets for 72" and up
PFA2LB1	Pioneer	dual	one Pioneer, center mounted for 55" and up
PFA2LB2			two Pioneers with mounting brackets for 72" and up
PFP1LB1	Pioneer Plus	single	one Pioneer Plus, center mounted for 55" and up
PFP1LB2			two Pioneer Plus with mounting brackets for 72" and up
PFP2LB1	Pioneer Plus	dual	one Pioneer Plus, center mounted for 55" and up
PFP2LB2			two Pioneer Plus with mounting brackets for 72" and up

Pioneer™, Pioneer Plus™ & Pioneer Max™ Series Mounting Options



PFP1P1
Pole/Ped mount
with handle
and switch

PFP2P
Pole/Ped mount
with handle,
without switch

PCP3P1
Pole/Ped mount with handle and switch

Side Mount

- Side Mount Pedestal available in AC or DC models with 5" or 7" non-adjustable stand-off mounting brackets
- Wire internal (exits bottom), external wire (exits side of knuckle) adapter
- Three conductor internal wire input for AC. Four conductor for DC models
- Requires lighthouse and pedestal mount adapter, purchased separately



87711AB
Side mount
with 5" stand off
bracket. Shown
with PCP2AP1B
lighthouse and
pedestal mount
adapter

Pedestal/Pole Mounting (Lighthouse Included with Mounting)

Model #	Series	Lamp	Lamp Type	Voltage	Switch	Housing	Size with handle	
PFA1P	Pioneer	single	floodlight	12 VDC	-	White	Single Lighthouse: 9-3/4" (247mm) H x 6-1/16" (155mm) D x 10-13/16" (275mm) L	
PFA1PB					-	Black		
PFA1P1					On/Off	White		
PFA1P1B		On/Off			Black			
PFA2P		dual			-	White		
PFA2PB					-	Black		
PFA2P1	On/Off				White			
PFA2P1B	On/Off	Black						
PFP1P	Pioneer Plus	single			-	White		Dual Lighthouse: 9-3/4" (247mm) H x 6-1/16" (155mm) D x 14-1/16" (357mm) L
PFP1PB					-	Black		
PFP1P1					On/Off	White		
PFP1P1B		On/Off			Black			
PFP2P		dual	-	White				
PFP2PB			-	Black				
PFP2P1	On/Off		White					
PFP2P1B	On/Off	Black						
PSP1P	single	8° spotlight	-	White				
PSP1PB			-	Black				
PSP1P1			On/Off	White				
PSP1P1B	On/Off	Black						
PCP2P	dual	combination flood and 8° spotlight	-	White				
PCP2PB			-	Black				
PCP2P2			Dual On/Off	White				
PCP2P2B	Dual On/Off	Black						
PCP3P	Pioneer Max	dual x 2	combination dual floodlight & dual 8° spotlight	-	White	10-13/16" (275mm) H x 6-1/16" (155mm) D x 14-1/16" (357mm) L		
PCP3P1				On/Off	Black			
PFP1AP	Pioneer Plus	single	floodlight	120 VAC	-	White	Single Lighthouse: 9-3/4" (247mm) H x 6-1/16" (155mm) D x 10-13/16" (275mm) L	
PFP1APB					-	Black		
PFP1AP1					On/Off	White		
PFP1AP1B		On/Off			Black			
PFP2AP		dual			-	White		
PFP2APB					-	Black		
PFP2AP1					On/Off	White		
PFP2AP1B		On/Off			Black			
PSP1AP		single			8° spotlight	-		White
PSP1APB						-		Black
PSP1AP1						On/Off		White
PSP1AP1B		On/Off			Black			
PCP2AP	dual	combination floodlight and 8° spotlight	-	White				
PCP2APB			-	Black				
PCP2APB1			On/Off	White				
PCP2APB1B	On/Off	Black						
PCP3AP	Pioneer Max	dual x 2	combination dual floodlight & dual 8° spotlight	-	White	10-13/16" (275mm) H x 6-1/16" (155mm) D x 14-1/16" (357mm) L		
PCP3APB				-	Black			
PCP3AP1				On/Off	White			
PCP3AP1B				On/Off	Black			

Side Mount (Lighthouse Purchased Separately)

Model #	Series	Lamp	Wire Exit	Voltage	Bracket
87711AB	side mounting option only for Pioneer and Pioneer Plus lighthouses	single or dual lighthouse	internal	12 VDC	5"
87711BB					7"
87711AD			external		5"
87711BD					7"
87711AA			internal	120 VAC	5"
87711BA					7"
87711AC			external		5"
87711BC					7"

Pioneer™ Series Pole Mounting Options

3000, 3100 & 3050 Series Pole Mounting Options

(Lighthouse Purchased Separately)

- Extruded aluminum AC and DC pole assemblies
- Side and Thru Body mount versions
- Side mount poles outer bodies available in 12", 20", 30", 35" & 40"
- 3050 Series 30", 40" & 50" side mount pull up pole, for use with 120 VAC Pioneer and Pioneer Plus lighthoods
- Three conductor internal wire input for AC models. Four conductor for DC models
- Silver powder coated non-adjustable stand-off mounting brackets available in 2", 3", 5" and 7"
- Poles and outer bodies are anodized to eliminate corrosion
- Optional lower side mount cradle bracket with electromagnetic sensor indicates if the pole has been seated properly into the cradle for travel (customer supplied warning indicator light)
- Custom pole lengths available. Download Pioneer Designer Program to design custom pole assemblies
- Requires Pioneer with pole/pedestal mount adapter (purchased separately)
- Five-year HDP® Heavy-Duty Professional warranty

Side mount stand-off mounting brackets



Side mount internal sensor



Side mount Sensor

Bottom mount lower cradle sensor



Sensor Cradle

Electro-magnetic sensor indicates pole has been seated correctly into cradle for travel.



For models numbers on Pioneer pole assemblies, please request Pioneer Pole Price List.

Pioneer Designer Program

Pioneer Designer lets you pick and choose options and enter custom pole and lighthouse requirements

Starting from the Home Page, go to

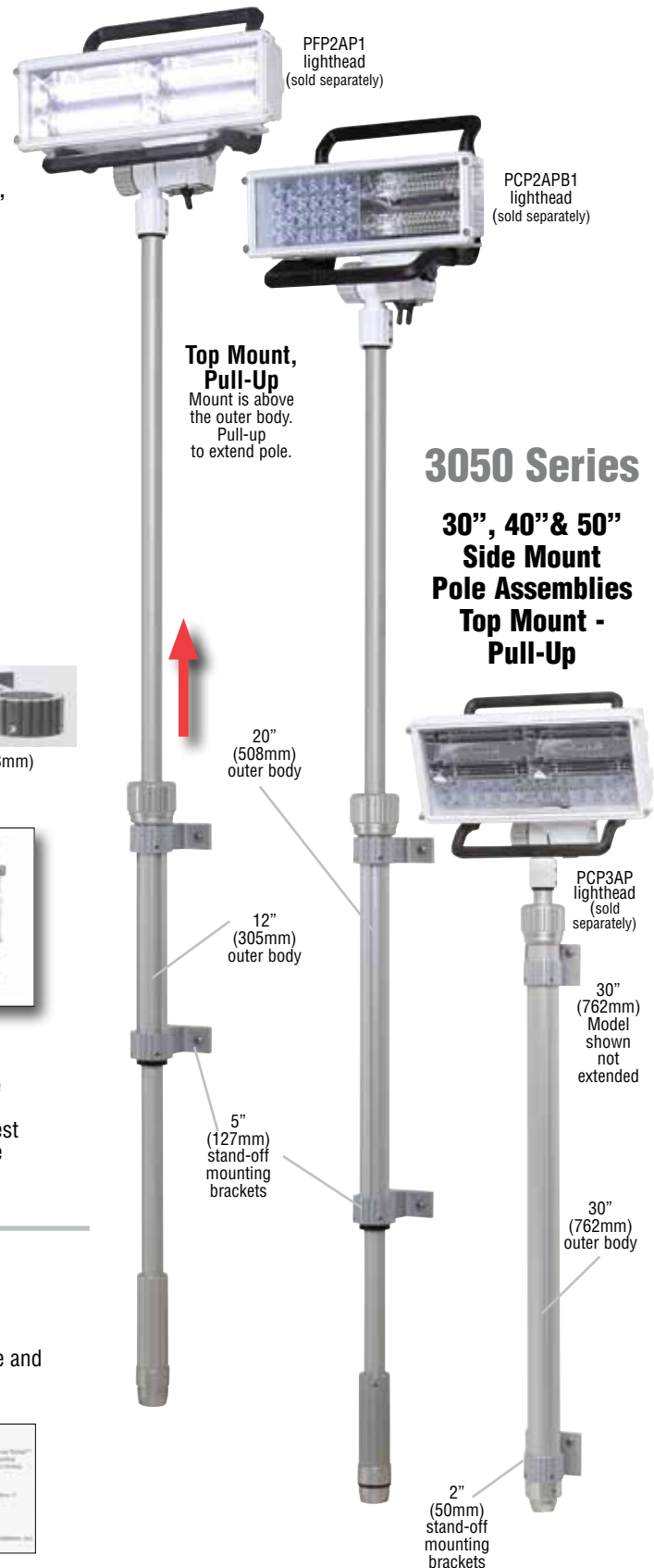
- Automotive
- Tech Support
- Software Downloads
- Choose Pioneer Designer and click on download



3000 Series

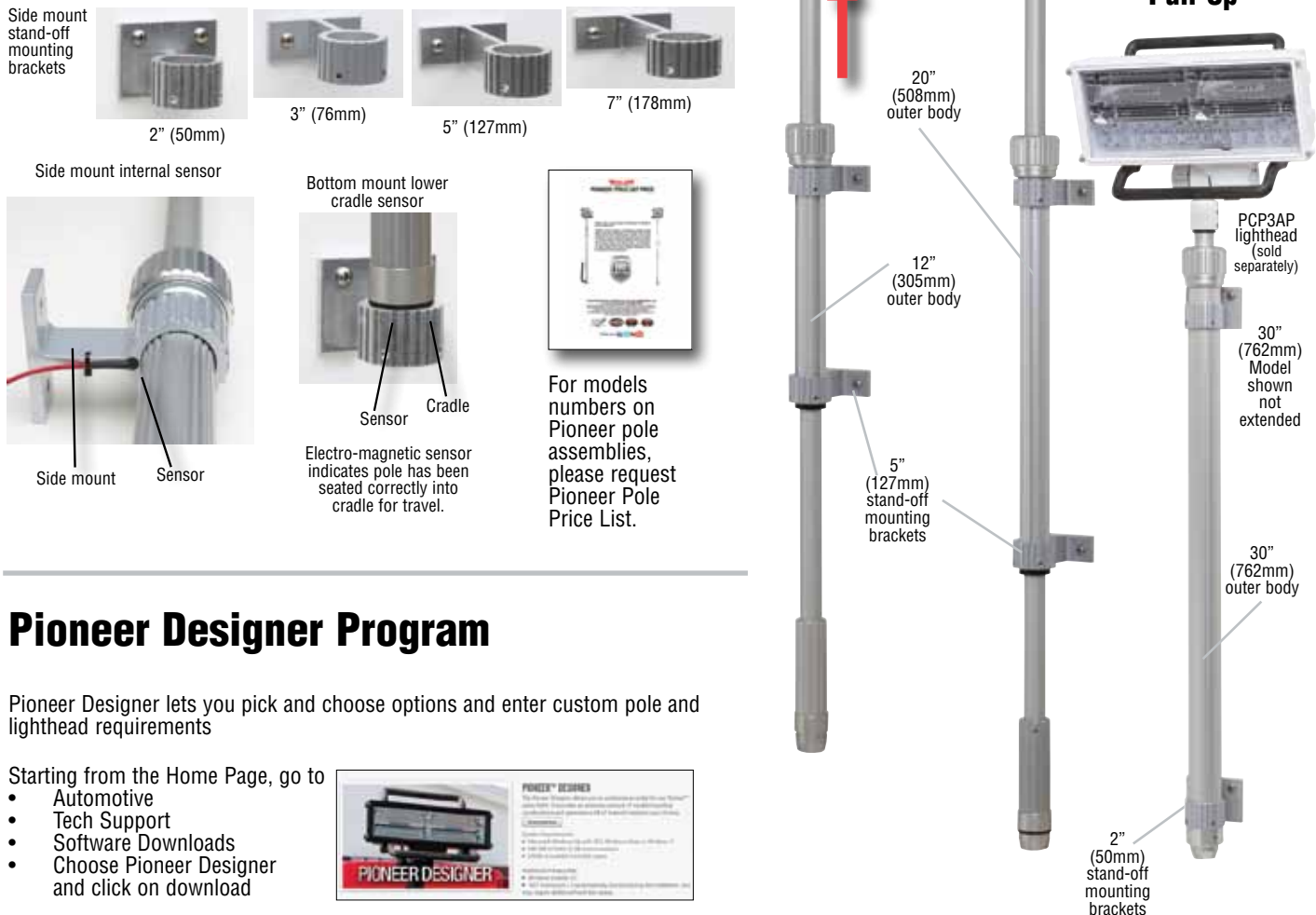


57" Side Mount Pole Assemblies Top Mount - Pull-Up



3050 Series

30", 40" & 50" Side Mount Pole Assemblies Top Mount - Pull-Up

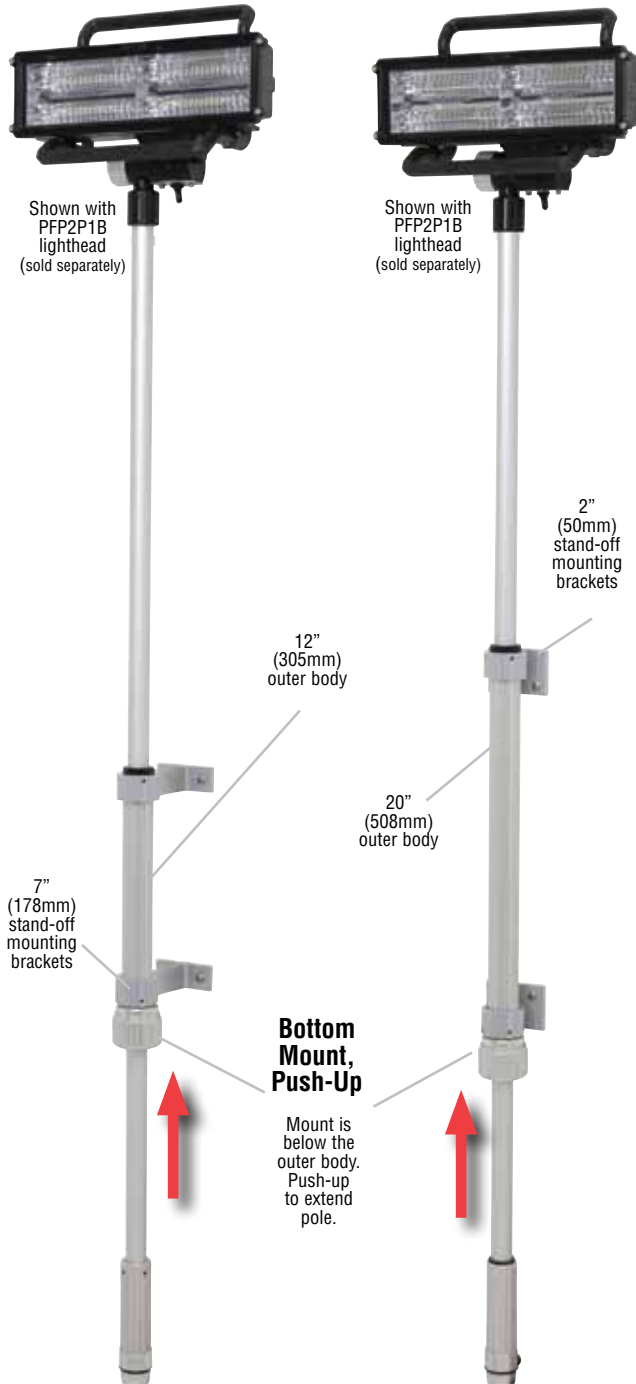


Pioneer™ Series Pole Mounting Options



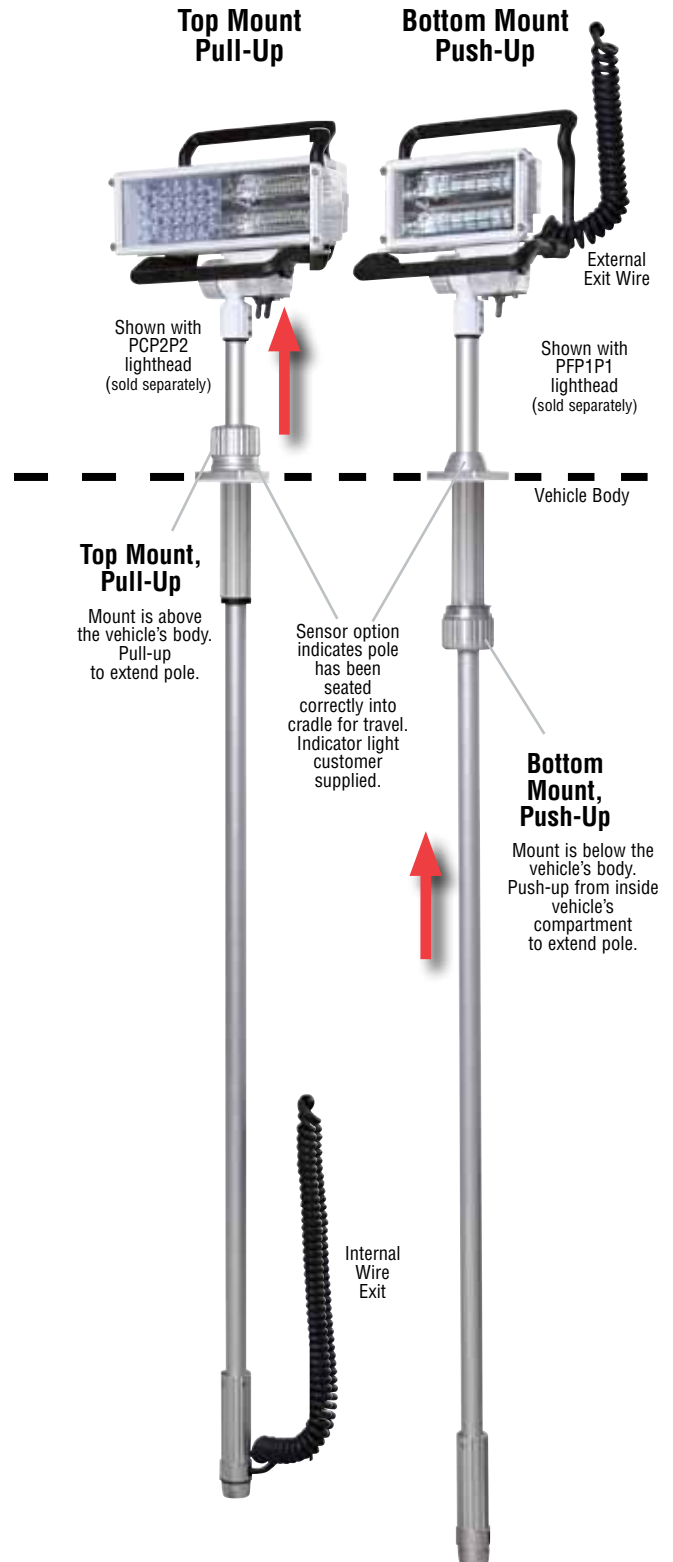
3000 Series

57" Side Mount Pole Assemblies Bottom Mount - Push-Up



3100 Series

57" Thru Mount Pole Assemblies



Pioneer™ Series Mounting Options

3200 Series Folding Tripod AC Pole Assemblies

(Lighthouse Purchased Separately)

- Extruded aluminum AC tripod assemblies
- Large 50", medium 40" and small 30" models
- Tripod models available are:
 - Wireless for use with ground tripod
 - With inner coil cord with or without plug
 - With loose external coil cord for top wire exit with plug or without plug
- All moving aluminum parts are isolated with nylon bushings for smooth adjustment and fold outs
- Poles, outer bodies and folding legs are anodized to eliminate corrosion
- Optional tripod quick disconnect mount kit
- Optional ground tripod mounting bracket
- Requires Pioneer with pole/pedestal mount adapter (purchased separately)
- Five-year HDP® Heavy-Duty Professional warranty

Lower folding tripod mounting cradle Model 8728301



Folded tripod in mounting cradle

MTO

Upper tripod quick disconnect mounting bracket.

Large tripod shown at maximum 42.25" extension.

Large 50"

Medium 40"

Small 30"

3300 Series Ground Tripods

(Lighthouse Purchased Separately)

- White powder coated cast aluminum AC portable ground tripod
- Includes stationary quick disconnect mount
- Supplied with 12" cable
- Optional plug available
- Five-year HDP Heavy-Duty Professional warranty

MTO

Shown with optional plug.

Ground tripod with stationary quick disconnect mount.



Quick disconnect mount attaches to ground tripod mount.

Optional Model 8728302 ground tripod mount includes quick disconnect for 3200 Series folding tripod.

Finished assembly of ground tripod mounted on top of folding tripod pole with ground tripod mount.

PAR-36 and PAR-46

- Choose floodlight or spotlight models
- Black cast aluminum housing
- Super-LED with low current draw
- Stainless steel bracket and hardware included
- Two intensities available
- For 24 VDC models, contact factory
- Available in White
- Five year HDP® Heavy-Duty Professional warranty



Floodlight Models							
Model No.	Diodes	Amps	Lumens	Mount	Switch	Handle	Rear Cover
PFBP12	12	1.7	1000	pedestal swivel	built-in on/off switch	yes	Black
PFBP12C							Chrome
PFBP6	6	.85	500				Black
PFBP6C							Chrome
PFBS12	12	1.7	1000	stud/swivel	-	-	Black
PFBS12C							Chrome
PFBS6	6	.85	500				Black
PFBS6C							Chrome
PFBS6S							Black
PFBS12S	12	1.7	1000				built-in on/off switch

Spotlight Models							
Model No.	Diodes	Amps	Lumens	Mount	Switch	T-Handle	Rear Cover
PSBP12	12	1.7	1000	pedestal swivel	built-in on/off switch	yes	Black
PSBP12C							Chrome
PSBP6	6	.85	500				Black
PSBP6C							Chrome
PSBS12	12	1.7	1000	stud/swivel	-	-	Black
PSBS12C							Chrome
PSBS6	6	.85	500				Black
PSBS6C							Chrome
PSBS6S							Black
PSBS12S	12	1.7	1000				built-in on/off switch

Hand Held Spot/Floodlights

- 90# pull magnet mount with 8' coiled cord and cigar plug
- Built-in push-button On/Off switch
- Five year HDP Heavy-Duty Professional warranty

Model No.	Lighting	Diodes	VDC	Amps	Lumens	Mount
P36HHS	spot/flood	6	12/24	0.85 @ 12 VDC 0.425 @ 24 VDC	500	hand held includes magnet
P46HHS	spotlight	18	12	2.3	2000	



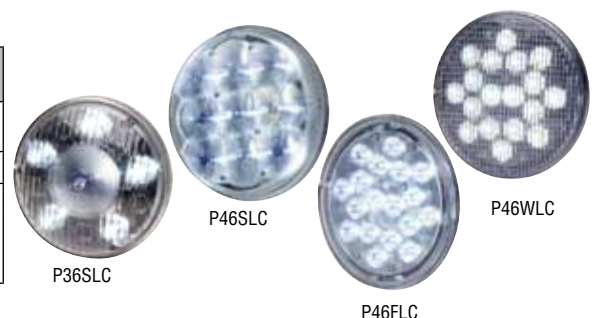
Rubber Housing Spot/Floodlights

- Rubber stud/swivel housing
- Available with or without lighthouse
- Five year HDP Heavy-Duty Professional warranty

Model No.	Lighting	Diodes	VDC	Amps	Lumens	Mount
P36SLCHG	spot/flood	6	12/24	0.85 @ 12 VDC 0.425 @ 24 VDC	500	stud/swivel
P46SLCHG	spotlight	9	12	2.3	2000	

Replacement Lamps

Model No.	Model	Lighting	Diodes	VDC	Amps	Lumens
P36SLC	PAR-36	spot/flood	6	12/24	0.85 @ 12 VDC 0.425 @ 24 VDC	500
P46SLC	PAR-46	2° spotlight	9	12	1.9	1600
P46FLC		8° spotlight	18			
P46WLC		20° high x 60° wide floodlight				



Pan & Tilt™ Spotlight

- Wired or wireless controlled spotlight
- Rated to last thousands of hours with remarkable bright light
- Wireless controller mounts anywhere
- Proportional push-button control for quick and easy operation
- Low amp draw
- Tilts 90° up and 20° down
- Pans 420° horizontally
- Defaults to home position after use
- Size: 8-3/4" (220mm) H x 7-3/4" (196mm) Dia
- Available in White
- Five year HDP® Heavy-Duty Professional warranty



Model No.	Mount	Controller	Base	Lens	Amps	Lumens	VDC
PT360P	permanent	wired	polycarbonate	hard coated polycarbonate to resist scratches and UV damage	2 A (max)	1475	12
PT360PW		wireless					
PT360F	flange	wired					
PT360FW		wireless					

PAR-36 Heavy-Duty Work Light

- Cast aluminum housing
- Includes stainless steel pedestal/swivel mount
- Deutsch waterproof connector
- Mounts standing or hanging
- 24 VDC available, contact factory
- Available in White
- Five year HDP Heavy-Duty Professional warranty



Model No.	Lighting	Diodes	Lumens	VDC	Amps	Size
3PC0C0CD	spotlight	9	1,000	12	1.70	6-3/4" (171mm) H x 2-1/2" (64mm) D x 4-3/4" (121mm) L (without mounting)

Power Control Centers & Switches

- Adjustable bail bracket mounting
- Backlit function windows for choice of 72 standard press-on legend tabs
- PCC8R's basic eight position keypad with remote relay box is ideal for DOT, Tow and Wrecker vehicles
- Hand held or mounted to the dash or console, the WCC9 replaces the standard ECM (Electronic Control Module) on WeCan® lightbars
- Two year warranty



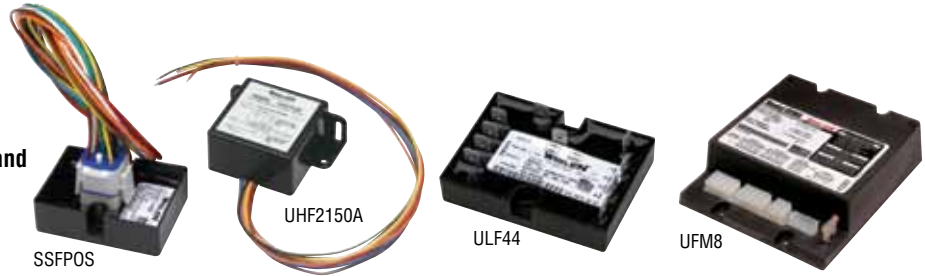
Model No.	Type and Usage	No. of Switches	Switch type	LED "On" Indicator	Installation	VDC	Size
PCCS9RW	high current center for lightbars/lighting systems without need for separately mounted relays or relay boxes	6 push-buttons and 1 four position dip switch programmable slide switch	6 On/Off, momentary 20 amp relays	yes	11 fast-on for outputs 4 pos AMP Mate-N-Lok® -for control 2 pos Molex Mini Fit SR® - for power	12	1-5/8" (40mm) H x 6-1/4" (159mm) D x 6" (152mm) L
PCCS9LW	economical control center for use with Freedom®, & Liberty II™ lightbars		6 On/Off, 1 programmable On/Off switch		1 nine position and 5 conductor AMP Mate-N-Lok connector to match lightbar cables		1-5/8" (40mm) H x 4" (102mm) D x 6" (152mm) L
PCC4W	SPST, lighted switches	4	25 amp		5 wires power input, 5 wires output		2-1/4" (57mm) H x 4" (102mm) D x 3-1/4" (83mm) L
PCC6W		6	6-25 amp		8 position rear connector block		2-1/4" (57mm) H x 3-5/8" (92mm) D x 6-5/8" (168mm) L
PCC6W1			5 25 amp, 1 momentary				
PCC10W		10	20 amp				
PCC10W1			9 20 amp, 1 momentary				
PCC8R	eight position key pad with remote relay box	8	3 20 amp relays and 5 10 amp relays				
WCC9	electronic control for Freedom and Justice® WeCan Lightbars	6 push-buttons and 1 four position dip switch programmable slide switch for 10 primary functions	6 normally open, momentarily closed tactile switches with 3-position slide switch		small diameter, 22 gauge, 2-C cables mates to your WeCan lightbar for easy installation		2-1/2" (64mm) H x 7/8" (22mm) D x 4-3/16" (106mm)L
WCC92	electronic control for Liberty II and Legacy® WeCan Lightbars						

Switch Panel Models					
Model No.	Type	Usage	No. of Switches	Switch Type	Illuminated
1SWITCH	"L" shaped aluminum switch bracket only	for 1 switch	optional	-	-
2SWITCH		for 2 switches			
3SWITCH		for 3 switches			
4SWITCH		for 4 switches			
PC1	switch only with 15 amp contact	On/Off	1 each	SPST	yes
PC2		momentary On			-
PC3		On/Off/On		SPDT	yes
PC4		On/On			-
PC5		On/Off/On		DPDT	-
PC5S		strobe Hi/Off/Low			



Flashers

- Polycarbonate housing
- Fully encapsulated for moisture, vibration and corrosion resistance
- UHF Series has external mounting flanges
- Two year warranty



Model No.	Usage	Solid-State	Outlets	Outlet Switching	Amps per Outlet	VDC	Flash Patterns	Size
SSFPOS	positive switching headlights	100%	2 outlets	1x1	12.5	12	7	7/8" (22mm) H x 2-3/4" (70mm) D x 2" (50mm) L
UHF2150A	positive or negative switching headlights	controlled relay output					4 outlets 4 channels	2x2
ULF44	LED lighthead		4 outlets	2x2x2x2	62 alt/simul		3/4" (26mm) H x 3-1/2" (89mm) D x 2-3/4" (70mm) L	
UFM8	halogen/LED lighthead		4 outlets	17	3/4" (26mm) H x 3-1/2" (89mm) D x 2-3/4" (70mm) L			

Model No.	Option Description
LEDLOAD	in-line load resistor kit to interface with OEM turn signal circuit

Electronic Back-Up Alarms

- Meets OSHA, Bureau of Mines, and all State regulations
- Glass filled nylon housing
- Encapsulated solid-state electronics
- Steam cleanable; pressure washable
- Mount horizontally or vertically
- One year warranty



Model No.	Decibels	SAE Code	VDC	Size
WBUA97	97	SAE J994 - Type C	12/24	2-3/4" (69mm) H x 1-1/2" (38mm) D x 4" (102mm) L
WBUA107	107	SAE J994 - Type B		2-3/4" (69mm) H x 1-1/2" (38mm) D x 4" (102mm) L
WBUA112	87-112	--		4" (101mm) H x 2-7/8" (73mm) D x 5-1/8" (130mm) L
WBUA112C	112	SAE J994 - Type A		4" (101mm) H x 2-7/8" (73mm) D x 5-1/8" (130mm) L

Wing Plow™ Super-LED® Series

- Fully encapsulated for vibration, moisture and corrosion resistance
- Two styles of Amber lightheads provide complete coverage whether snowplow wing is in the operation position or in the stowed travel position
- Five year HDP® Heavy-Duty Professional warranty



WPLow3AA

Model No.	Usage	Technology	Flash Patterns	Cable	VDC	Housing
WPLow1A	Deployed	TIR3™ SmartLED	24 Scan-Lock™ plus steady-burn	20' heavy-duty TPR with built in strain relief connectors	12	rugged cast aluminum
WPLow2A	Stowed					
WPLow3AA	Deployed/Stowed	LINZ6™ SmartLED				
WPLowZ1A	Deployed					
WPLowZ2A	Stowed					
WPLowZ3A	Deployed/Stowed					

Model	Option Description
W441DIN	Deutsch® waterproof 3 pins and connector kit, cable end
W442DIN	Deutsch waterproof 3 sockets and connector kit, lighthead end

Fleet-Rack™



- Fleet-Rack frame design mounts a variety of emergency lighting products including: full size or mini lightbars, beacons, auxiliary lighting and flood or spot lights
- TA Fleet-Rack frame design incorporates a factory installed, integrated 16-Lamp ION™ Super-LED® Traffic Advisor™ (left, right, split, and flash)
- Steel construction with Black powder coating
- Pre-drilled access holes accommodate a wide range of lighting
- Installs easily for fleets integrating both lighting and truck rack
- Wiring channels protect and cover wiring for security, long life serviceability and a neat, professional appearance for your truck



Base model with a Liberty™ II lightbar and ION Traffic Advisor

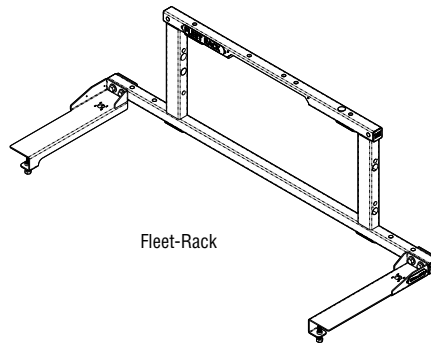
Fleet-Rack	
Model No.	Vehicle
FR01	Ford Super-Duty, 2015
FR03	Chevy Silverado, 1500, 2500 Series, 2015
FR04	Dodge Ram 1500 without RAMBOX, 2015
FR05	Ford F150, 2015

Fleet-Rack ION Traffic Advisors	
Model No.	Vehicle
TAFR01	Ford Super-Duty, 2015
TAFR03	Chevy Silverado, 1500, 2500 Series, 2015
TAFR04	Dodge Ram 1500 without RAMBOX, 2015
TAFR05	Ford F150, 2015

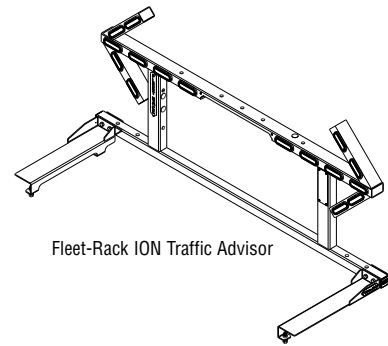
Optional Kits		
Model No.	Description	Rack Model
FRCS	center window screen guard	FR03, FR05, TAFR03, TAFR05
FRCS04		FR04
FRCS04		FR01
FRWS	wing window screen guard	FR03, FR04, FR05
FRWSSD		FR01
FRCB	center window bar guard	Fits All
FRWB	wing window bar guard	FR01, FR03, FR04, FR05
FRCBM	Whelen beacon center mount bracket	FR01, FR03, FR04, FR05
FREBM	Whelen beacon corner mount bracket	FR01, FR03, FR04, FR05

Base Models

Designed to fit specific vehicle body styles and includes pre-drilled holes and wire channel access for every mounting option available

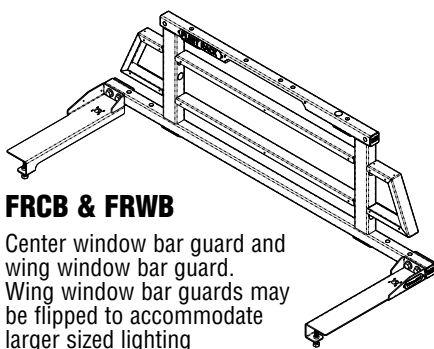


Fleet-Rack



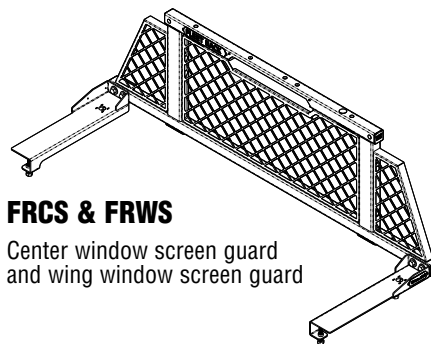
Fleet-Rack ION Traffic Advisor

Base Model with optional:



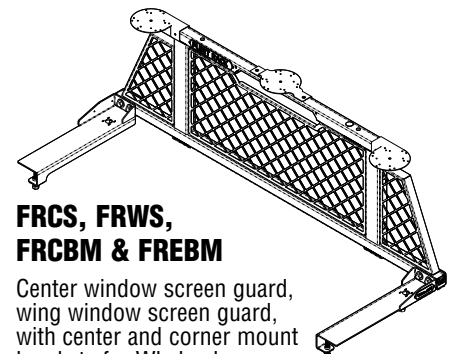
FRCB & FRWB

Center window bar guard and wing window bar guard. Wing window bar guards may be flipped to accommodate larger sized lighting



FRCS & FRWS

Center window screen guard and wing window screen guard



FRCS, FRWS, FRCBM & FREBM

Center window screen guard, wing window screen guard, with center and corner mount brackets for Whelen beacons

Legal Lighting Systems



- All Whelen DOT3® Legal Lighting Systems are certified by an AMECA-accredited testing laboratory to meet or exceed SAE Class 1 warning lighting requirements in the appropriate specified safety colors
- High and wide lighting profiles helps outline vehicles during operation
- Increased rear-end visibility with wide-angle Super-LED lighthead visible even when dump body is in raised or lowered position
- All lighthead are supplied with Deutsch® waterproof connectors

- All warning lighthead colors are Amber. For other colors, contact factory
- Hard coated lenses resist environmental damage from the sun, salt and road chemicals
- The system offers multiple flash patterns and sequence options
- Each system includes complete installation kit
- Optional aluminum housings available
- Five year HDP® Heavy-Duty Professional warranty

DOT3 System Components

Front System Components

Choice of four Super-LED models with 360° warning visibility for front coverage. Includes 60' of heavy-duty TPE cable

Micro Freedom™



3-3/4" (95mm) H x 9-5/16" (236mm) D x 12-5/16" (312mm) L

Micro 400



3-3/4" (95mm) H x 10-3/4" (272mm) D x 10" (254mm) L

Stainless Steel Micro 400



3-5/8" (92mm) H x 8-1/4" (209mm) D x 8-1/4" (209mm) L

Remote L31 Beacon



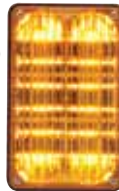
4-1/2" (102mm) H x 7-3/16" (182mm) Dia.

Rear Lighthead

Rear lighthead are offered in 3 sizes. **New** 400 V-Series™ features primary 180° warning and secondary directional lighting with Linear optics

400 Series

4-15/16" (124mm) H x 3-3/16" (77mm) W



400 V-Series™



500 Series

5" (127mm) H x 1-5/8" (41mm) W



700 Series

7-1/4" (184mm) H x 3-1/16" (78mm) W



Rear Housings

Rear mounted lighthead include 30' heavy-duty, oil resistant TPE jacketed cable with strain relief flex tubing and couplings that provide added safeguard against the elements. Choice of standard heavy-duty welded stainless steel or optional aluminum housings

400 Series



Height: Single: 5-7/8" (149mm)
Double: 11-3/8" (290mm)
Triple: 17" (430mm)
Width 3-1/2" (88mm)
Depth: 4-3/4" (120mm)

500 Series



Height: Single: 7" (178mm)
Double: 13-3/4" (348mm)
Triple: 20-3/8" (518mm)
Width: 2-1/2" (65mm)
Depth: 5" (127mm)

700 Series



Height: Single: 8-3/8" (213mm)
Double: 16-1/4" (412mm)
Triple: 24" (608mm)
Width 3-1/2" (88mm)
Depth: 5" (127mm)

DOT3® Standard Components



12" protective flex tubing and couplings to the lighthouse connections protects the cabling and provides strain relief



Waterproof, oil and corrosion-resistant tin coated, pure copper stranded conductors used in all TPE cables. Each wire strand in each cable is tin coated for the full length of the cable, providing superior longevity. Designed to last for the life of the vehicle. Optional cable lengths are available



Centralized DOT Flasher/Junction box for total system control. Offers various flash patterns, system flash sequence, and switching flexibility. The flasher also provides onboard Diagnostix™



Top of the line Deutsch® waterproof connectors furnished with all rear lighthoods



400 & 700 Series lighthouse housings are 7 gauge and 500 Series are 11 gauge welded stainless steel. You may choose optional welded aluminum housings

DOT3 Options



New 400 V-Series™ features primary 180° warning and secondary directional lighting with Linear optics - SUB4V400



L31 Branch Guard with cast aluminum base - L360BGB



Wing Plow™ Lighting Systems with TIR3 or LINZ6™ light modules for high visibility in both the snow-plow's wing in stowed and travel positions -
WPL0W3AA - TIR3
WPL0WZ3A - LINZ6



Combination LED spot/flood or flood work light with rubber housing and stainless steel hardware -
P36SLCHG - Spot/Floodlight
P46SLCHG - Floodlight



TIR3™ Side Light for 400 and 700 Series rear housings -
ADD4TIR3 - 400 Series
ADD7TIR3 - 700 Series



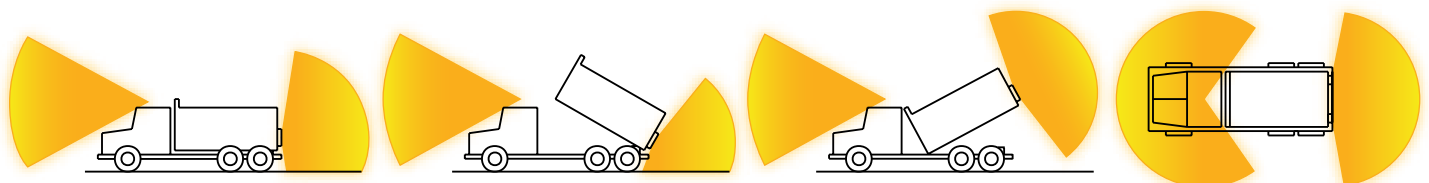
Switch Control Panels rated at 25 amps per switch -
PCC4W - 4 switch
PCC6W - 6 switch



Extension Cables in single or pairs in 30' and 45' lengths (See current price list for models)



DOT Photocell for Hi/Low power, includes Black flange - DOTPHOTO



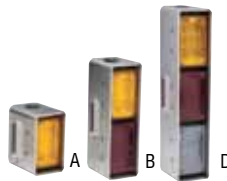
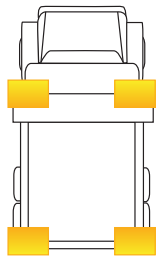
Wide-angle lighthoods give visibility with the dump box in raised and lowered positions.

Standard System Configurations

DOT3401, DOT3501 & DOT3701

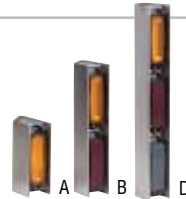
4 Light System

Two Micro Freedoms with extended corner modules and two rear lighthouse options



SYSTEM 401 with 400 Series Lighthouses

- DOT3401A Warning
- DOT3401B Warning and brake/tail/turn
- DOT3401D Warning, brake/tail/turn and back-up



SYSTEM 501 with 500 Series Lighthouses

- DOT3501A Warning
- DOT3501B Warning and brake/tail/turn
- DOT3501D Warning, brake/tail/turn and back-up



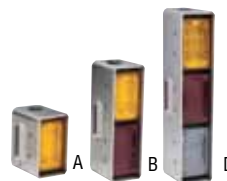
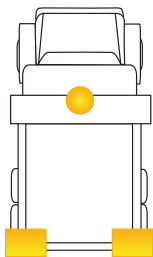
SYSTEM 701 with 700 Series Lighthouses

- DOT3701A Warning
- DOT3701B Warning and brake/tail/turn
- DOT3701D Warning, brake/tail/turn and back-up

DOT3402, DOT3502 & DOT3702

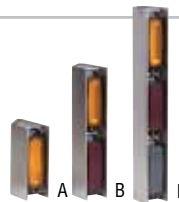
3 Light System

One L31 remote beacon and two rear lighthouse options



SYSTEM 402 with 400 Series Lighthouses

- DOT3402A Warning
- DOT3402B Warning and brake/tail/turn
- DOT3402D Warning, brake/tail/turn and back-up



SYSTEM 502 with 500 Series Lighthouses

- DOT3502A Warning
- DOT3502B Warning and brake/tail/turn
- DOT3502D Warning, brake/tail/turn and back-up



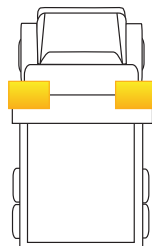
SYSTEM 702 with 700 Series Lighthouses

- DOT3702A Warning
- DOT3702B Warning and brake/tail/turn
- DOT3702D Warning, brake/tail/turn and back-up

DOT3103

2 Light System

Two Micro Freedoms with extended corner modules

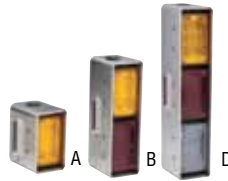
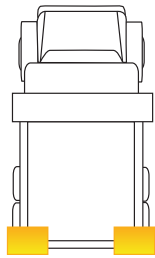


SYSTEM 103

- DOT3103 Two front Amber warning lights

**DOT3404, DOT3504
& DOT3704**

2 Light System
Two rear lighthouse options



SYSTEM 404 with 400 Series Lighthoods
DOT3404A Warning
DOT3404B Warning and brake/tail/turn
DOT3404D Warning, brake/tail/turn and back-up



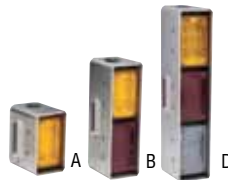
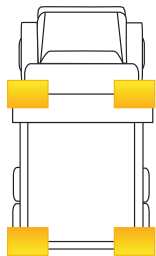
SYSTEM 504 with 500 Series Lighthoods
DOT3504A Warning
DOT3504B Warning and brake/tail/turn
DOT3504D Warning, brake/tail/turn and back-up



SYSTEM 704 with 700 Series Lighthoods
DOT3704A Warning
DOT3704B Warning and brake/tail/turn
DOT3704D Warning, brake/tail/turn and back-up

**DOT3405, DOT3505
& DOT3705**

4 Light System
Two Micro 400s and two rear lighthouse options



SYSTEM 405 with 400 Series Lighthoods
DOT3405A Warning
DOT3405B Warning and brake/tail/turn
DOT3405D Warning, brake/tail/turn and back-up



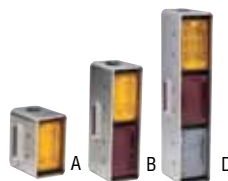
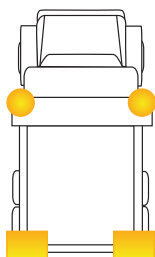
SYSTEM 505 with 500 Series Lighthoods
DOT3505A Warning
DOT3505B Warning and brake/tail/turn
DOT3505D Warning, brake/tail/turn and back-up



SYSTEM 705 with 700 Series Lighthoods
DOT3705A Warning
DOT3705B Warning and brake/tail/turn
DOT3705D Warning, brake/tail/turn and back-up

**DOT3406, DOT3506
& DOT3706**

4 Light System
Two L31 remote beacons and two rear lighthouse options



SYSTEM 406 with 400 Series Lighthoods
DOT3406A Warning
DOT3406B Warning and brake/tail/turn
DOT3406D Warning, brake/tail/turn and back-up



SYSTEM 506 with 500 Series Lighthoods
DOT3506A Warning
DOT3506B Warning and brake/tail/turn
DOT3506D Warning, brake/tail/turn and back-up

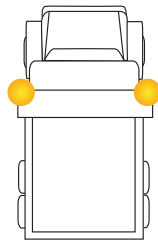


SYSTEM 706 with 700 Series Lighthoods
DOT3706A Warning
DOT3706B Warning and brake/tail/turn
DOT3706D Warning, brake/tail/turn and back-up

DOT3107

2 Light System

Two remote L31 Beacons



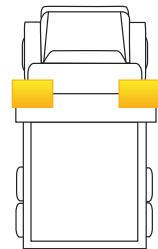
SYSTEM 107

DOT3107.....Two front Amber warning lights

DOT3108

2 Light System

Two Micro 400s



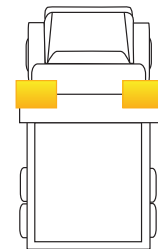
SYSTEM 108

DOT3108.....Two front Amber warning lights

DOT3109

2 Light System

Two stainless steel Micro 400s



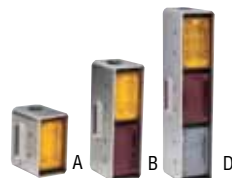
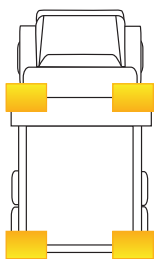
SYSTEM 109

DOT3109.....Two front Amber warning lights

DOT3410, DOT3510 & DOT3710

4 Light System

Two stainless steel Micro 400s and two rear lighthouse options



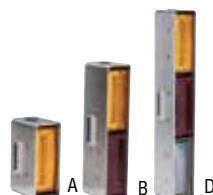
SYSTEM 410 with 400 Series Lighthoods

DOT3410AWarning
 DOT3410BWarning and brake/tail/turn
 DOT3410DWarning, brake/tail/turn and back-up



SYSTEM 510 with 500 Series Lighthoods

DOT3510AWarning
 DOT3510BWarning and brake/tail/turn
 DOT3510DWarning, brake/tail/turn and back-up



SYSTEM 710 with 700 Series Lighthoods

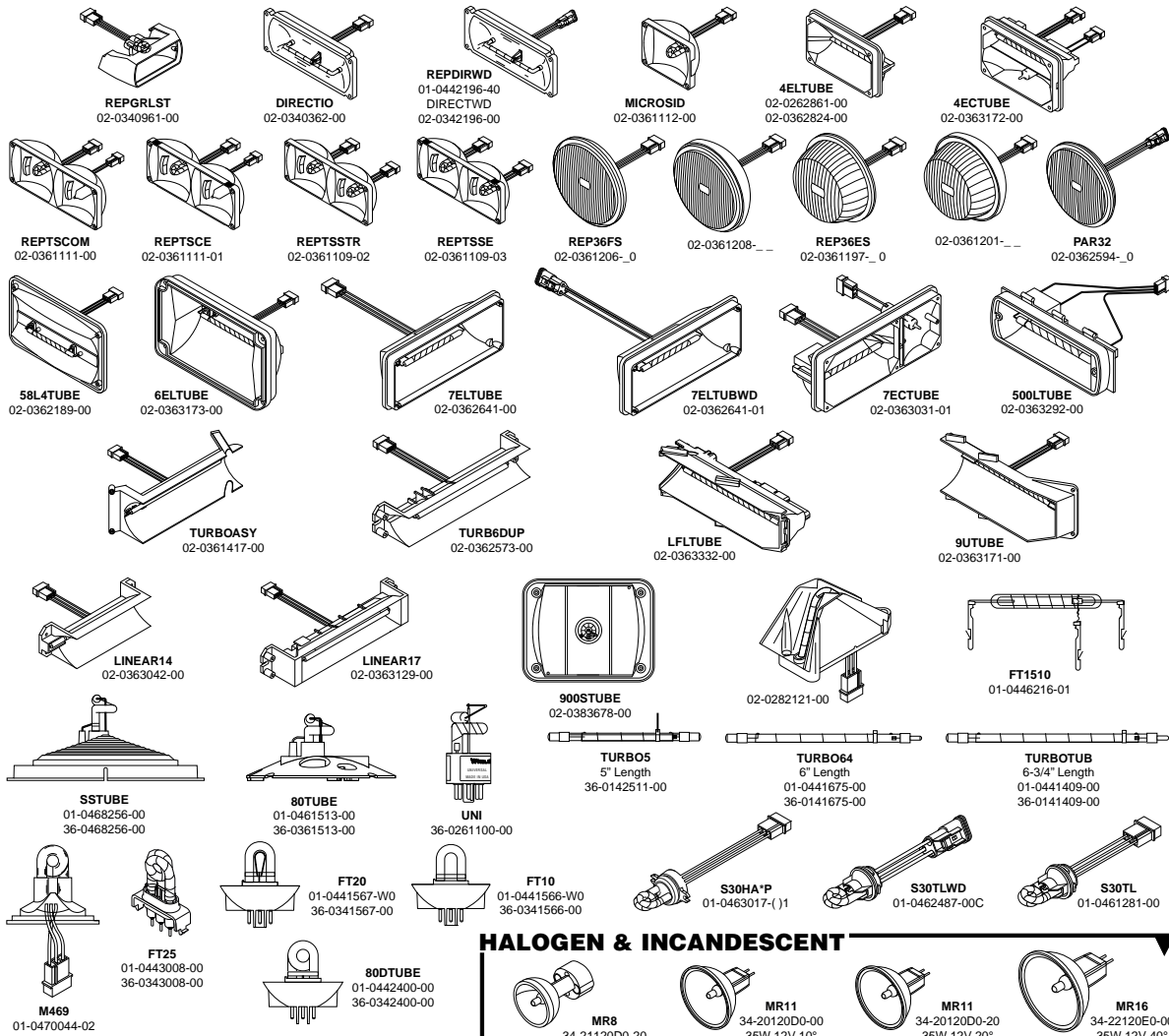
DOT3710AWarning
 DOT3710BWarning and brake/tail/turn
 DOT3710DWarning, brake/tail/turn and back-up

Replacement Lamp Guide

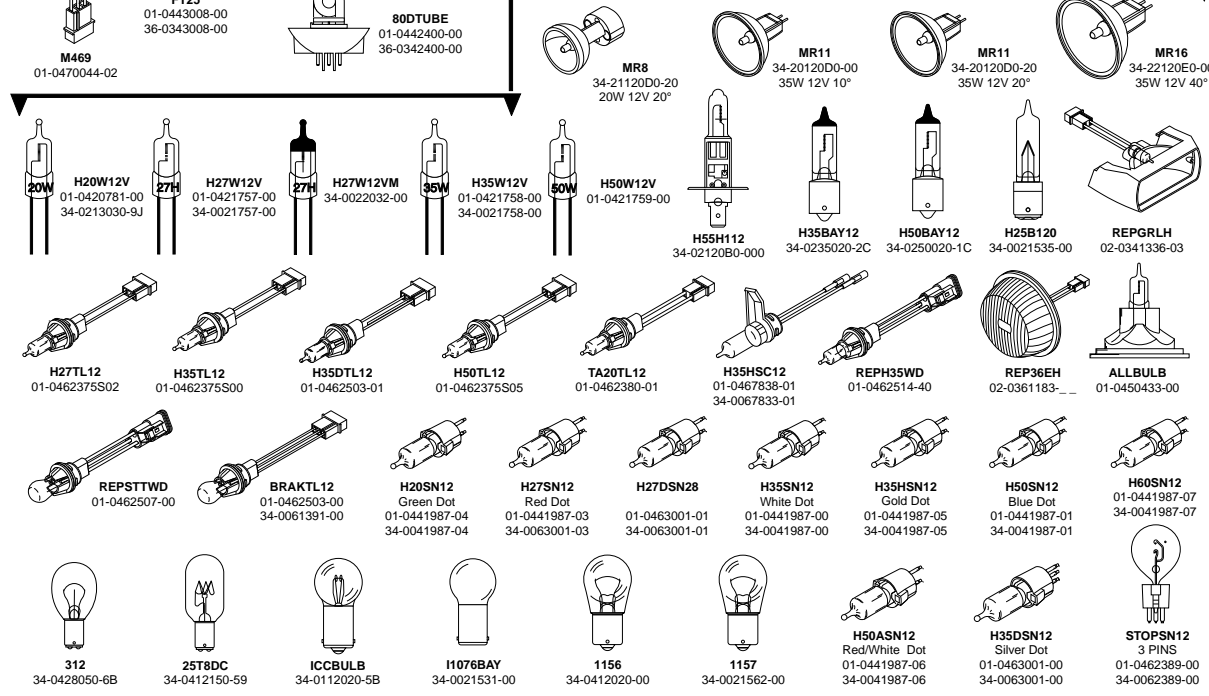


Pictorial reference guide for strobe, halogen and incandescent replacement bulbs

STROBE



HALOGEN & INCANDESCENT



Providing the finest, certified lighting for our customers is a priority at Whelen Engineering Company. Listed below are the various certification standards used to test and certify our products for the DOT, Public Works, Utility, Towing and Contractor marketplace. As we are constantly upgrading and testing our products, it is impossible to print a document with all of the current information. Our team of customer service or field sales representatives will be happy to answer questions regarding this information and any other specific state or federal regulation that might apply to your criteria for decision-making on lighting devices for your vehicles.

A KKK 1822-F - Federal Ambulance Specification

B CAC, Title 13, Article 22 (Red, Blue and Amber lighthoods)

Warning Lamps and Devices

C SAE J595 - Flashing Warning Lamps for Authorized Emergency, Maintenance, and Service Vehicles (Jan 90)

D SAE J845 - 360° Warning Devices for Authorized Emergency, Maintenance, and Service Vehicles (May 97) Class 1, Class 2, Class 3 (Includes selective coverage)

E SAE J1318 - Gaseous Discharge Warning Lamp for Authorized Emergency, Maintenance, and Service Vehicles (May 98) Class 1, Class 2, Class 3

Test Procedures and Materials

F SAE J575 - Test Methods and Equipment for Lighting Devices & Components for use on Vehicles less than 80" (2032mm) in Overall width (Jun 92)

G SAE J2139 - Test Methods and Equipment for Lighting Devices & Components for use on Vehicles greater than 80" (2032mm) in Overall width (Jan 96)

H SAE J578 - Color Specifications (Jun 95)

Signalling and Marking Lighting Devices and Systems

I FMVSS108 - Federal Motor Vehicle Safety Standards

J SAE J586 - Stop Lamps for use on Motor Vehicles Less than 80" (2032mm) in Overall width (Sep 95)

K SAE J585 - Tail Lamps (Rear position Lamps) for Use on Motor Vehicles Less than 80" (2032mm) in Overall width (Dec 94)

L SAE J588 - Turn Signal Lamps for Use on Motor Vehicles Less than 80" (2032mm) in Overall width (Dec 94)

M SAE J592 - Clearance, Side Marker, Identification Lamps (Dec 94)

N SAE J593 - Back-up Lamps (Reversing Lamps) (Oct 95)

N(A) SAE J593C - Back-up Lamps (Reversing Lamps) (Feb 68)

O SAE J914 - Side Turn Signal Lamps for Vehicles less than 36' (12m) in Length (Jan 95)

P SAE J1432 - High Mounted Stop lamps for Use on Vehicles 80" (2032mm) or More in Overall Width (Sept 97)

Q SAE J1889 - LED Lighting Devices (Jun 99)

R SAE J1957 - Center High Mounted Stop Lamp Standard for Vehicles Less than 80" (2032mm) in Overall Width (Jun 93)

S SAE J2039 - Side Turn Signals Lamps for Large Vehicles (Jun 94)

T SAE J2040 - Tail Lamps (Rear Position Lamps) for Use on Vehicles 80" (2032mm) or More in Overall Width (Apr 99)

U SAE J2042 - Clearance, Side Marker, and Identification Lamps for Use on Motor Vehicles 80" (2032mm) or More in Overall Width (Jun 96)

V SAE J2261 - Stop Lamps and Front and Rear-Turn Signal Lamps for Use on Motor Vehicles 80" (2032mm) or More in Overall Width (Mar 96)

W NFPA 1901 - (2009 Edition) For NFPA application consult current NFPA Specification Lighting Packages Catalog

X SAE J1398 - Stop Lamps for Use on Motor Vehicles 80" (2032mm) or More in Overall Width

Y SAE J1395 - Turn Lamps for Use on Motor Vehicles 80" (2032mm) or More in Overall Width

WHELEN

LED TERMINOLOGY

Generation 1 - (LED)
5mm diode technology

Generation 2
Piranha diode technology

Generation 3
Barracuda diode technology, standard diode and optic package

Generation 3.5 - (Super-LED®)
A special package containing the brightest diode and widest visibility optic technology available

TIR - (Super-LED)
Whelen's optimized use of Generation 3.5 diodes and unique optics to produce highly intense light that is somewhat directional in nature

Linear-LED® - (Super-LED)
Whelen's patented use of Generation 3.5 diodes and unique reflector optics to produce highly intense light that has superior wide-angle visibility and rivals strobe in performance

SmartLED®
Whelen's distinctive use of self-contained electronics to power and flash a particular LED product. These products require no external flasher, ballast or power supply to operate.

O	OS Series Lighthoods	29-44	M	M Series Lighthoods	27-28
	OR Series Lighthoods	31		Micro Freedom Lighthouse	30
2	2" Round Lighthoods	44		Micron Series Lighthoods	30
	2G Series Lighthoods	30		Mini Century Lightbars	15
3	3" Round Lighthoods	31		Mini Freedom Lightbars	16
	360° Super-LED® Beacons	3-8		Mini Freedom Rotating Lightbars	16
4	4" Round Lighthoods	31		Mini Justice Lightbars	15
	400 Series Lighthoods	35		Mini Legacy Lightbars	17
5	500 Series Lighthoods	35-36		Mini Liberty II Lightbars	17
	5G Series Lighthoods	30		Mini Responder LP™ Lightbars	13-14
6	6" Round Interior Lighthoods	43		Mini Responder Lightbars	12
	600 Series Lighthoods	37	P	Pan & Tilt™ Spotlight	58
7	700 Series Lighthoods	38		PAR-36 & PAR-46 Series Lighthoods	44,57
8	8" Round Interior Lighthoods	43		PAR-36 Heavy-Duty Work light	58
9	900 Series Lighthoods	38		PEL Series Perimeter Enhancement Light	44
A	Avenger™ Series Lights	9		Pioneer™ & Pioneer Plus™ Series Lighthoods	50-51
B	Back-up Alarms	60		Pioneer Micro™	46
	Back-up Lights	41		Pioneer Nano™	46
	Brake/Tail/Turn Lights	39		Pioneer Quad™	49
C	Certification Standards	68		Pioneer SlimLine™	47
	Century™ Series Lightbars	21		Pioneer Surface Mount	48
	Compartment Lights	41-45		Pioneer Mounting	52-56
D	Dash & Deck Lighting	9-10		Power Control Centers	59
	Dominator™ & Dominator Plus™ Series	11	R	R316 & R416 Series LED Beacons	3
	DOT-LED® Systems	62-66		Raider™ Series Lights	11
F	Fleet-Rack™ Truck Rack	61		Replacement Lamp Guide	67
	Flashers	60	S	Scenelights	45
	FlatLighter™ Series Lights	10		SlimLighter™ Series Lights	10
	Fluorent™ Interior Lighting	42		Slim-Miser™ Series Lights	10
	Freedom® & Rota-Beam™ Freedom Lightbars	20		SpitFire™ ION™ Lights	9
I	Inner Edge® Lightbars	23		SpitFire Plus™ Lights	9
	ION™ T-Series™ Lighthoods	32		Strip-Lite™ Series Lighthoods	32
	ION & ION V-Series™ Lighthoods	33		Switches	59
J	Justice® Series Lightbars	21	T	TIR3™ Lighthoods	34
L	L10 Series Beacons	6		Towman's™ Series Lightbars	22
	L21 & L22 Series Beacons	7		Traffic Advisor™, Arrow Style	26
	L31 & L32 Series Beacons	4		Traffic Advisor, Straight Style	24-25
	L41 Series Beacons	5		Turn Lights	40
	L51 & L53 Series Beacons	8	V	Vertex™ Series Lighthoods	29
	LED Beacons	3-8		Vertex™ Competitor Series Lighthoods	29
	Legacy™ Series Lightbars	18		V-23 Series Lighthoods	32
	LINV2 V-Series Lighthoods	34	W	Warranty	69
	Liberty™ II Series Lightbars	19		Wing Plow™ Lights	60
	LIN3™ Series Lighthoods	34			
	LINZ6™ Series Lighthoods	34			

Application Photos

WHELEN



Discover other accessory lighting on our website.