



2017.1

Amber Essentials

Professional Warning & Illumination



Super-LED® Beacons

L10 Series

- SAE Class 1 Certified (Amber)
- High and low dome models
- Available in permanent, magnetic, and magnetic/suction mounts
- Virtually no RFI/EMI radiation
- Hard-coated lenses minimize environmental damage from sand, sun, salt, and road chemicals
- Available in Amber and White
- Five year warranty



Model	Mount	Profile	Base	Amps	VDC	Patterns	Cert
L10HAM	Magnetic	High	Polycarbonate	1.0 / peak 0.4 / avg.	12	75 SignalAlert™ 18 Flash patterns	Class 1 (Amber)
L10HAP	Permanent				24		
L10HAP4							
L10HAV	Magnetic/suction						
L10HCP	Permanent	Low			12		
L10LAM	Magnetic				24		
L10LCP	Permanent						
L10LAP							
L10LAP4							
L10LAV	Magnetic/suction	12					

Note: The use of a magnetic mounted beacon or lightbar on the roof of a vehicle in motion is not recommended and is at the sole discretion and risk of the user.

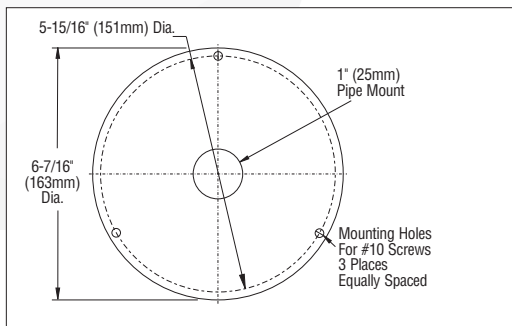


Model	Option Description
MIRROR20	West Coast mirror mount brackets
BGH	Branch guard, high dome
BGL	Branch guard, low dome

Replacement Dome
DH2000* (High)
DL2000* (Low)

Replace asterisk in model number with desired color.
A= Amber

MOUNTING



Super-LED® Beacons

L50 Series

- SAE Class 1 Certified (L51 Series)
- SAE Class 3 Certified (L53 Series)
- Twist-off polycarbonate dome
- Hard-coated lenses minimize environmental damage from sand, sun, salt, and road chemicals
- Available in permanent and magnetic mount
- Five year warranty

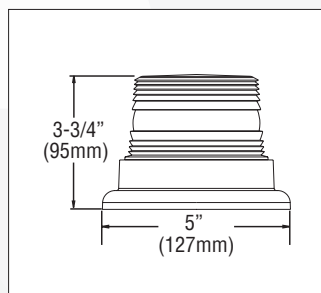
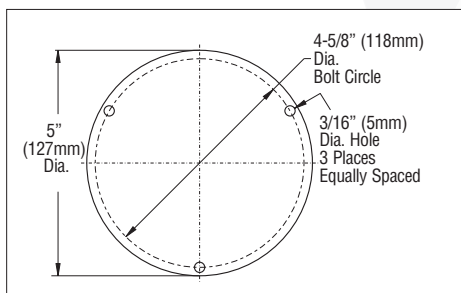


Model	Mount	Base	Amps	VDC	Patterns	Encapsulated	Cert
L51AP	Permanent	Polycarbonate	1.5 / peak 0.6 / avg.	12	15 Flash patterns	Yes	Class 1
L51AM	Magnetic						
L53AP	Permanent		0.4 / peak 0.16 / avg.		75 SignalAlert™	-	Class 3
L53AM	Magnetic						

Note: The use of a magnetic mounted beacon or lightbar on the roof of a vehicle in motion is not recommended and is at the sole discretion and risk of the user.

Model	Option Description
MIRROR15	West Coast mirror mount bracket

MOUNTING



Super-LED® Beacons

L21 Series

- L21 is SAE Class 1 Certified (Amber)
- Fully encapsulated for moisture, vibration, and corrosion resistance
- Available in combination, magnetic, and magnetic/suction mounts
- Hard-coated lenses minimize environmental damage from sand, sun, salt, and road chemicals
- Virtually no RFI/EMI radiation
- Five year warranty



Model	Mount	Profile	Base	Amps	VDC	Patterns	Cert
L21HAP	Combination	High	Polycarbonate	1.5 / peak 0.60 / avg.	12	25 Scan-Lock™ flash patterns, including steady-burn (permanent mount only) 75 SignalAlert™ standard, 25 Scan-Lock flash patterns (magnetic / magnetic suction mounts only)	J845 Class 1 360° (Amber)
L21HAM	Magnetic						
L21HAV	Magnetic/suction						
L21LAP	Combination	Low					
L21LAM	Magnetic						
L21LAV	Magnetic/suction						

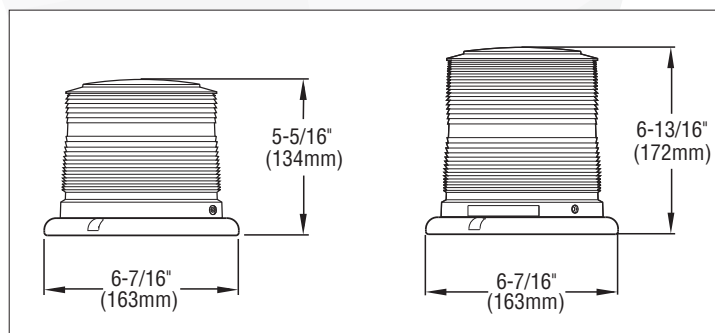
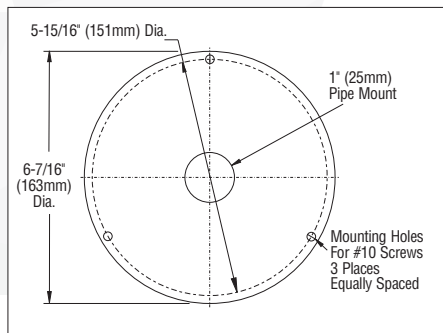
Note: The use of a magnetic mounted beacon or lightbar on the roof of a vehicle in motion is not recommended and is at the sole discretion and risk of the user.

Model	Option Description
MIRROR20	West Coast mirror mount brackets
BGH	Branch guard, high dome
BGL	Branch guard, low dome

Replacement Dome
DH2000* (High)
DL2000* (Low)

Replace asterisk in model number with desired color.
A= Amber

MOUNTING



Super-LED® Beacons

L41 Series

- SAE Class 1 Certified (Amber)
- Meets FAA Advisory Circular No. AC 150/5210-5D
- Medium profile, smooth polycarbonate outer dome
- Fully encapsulated for moisture, vibration, and corrosion resistance
- Hard-coated lenses minimize environmental damage from sand, sun, salt, and road chemicals
- Available in permanent, magnetic, and magnetic/suction mounts
- Virtually no RFI/EMI Radiation
- For 24 VDC models, contact factory
- Five year warranty

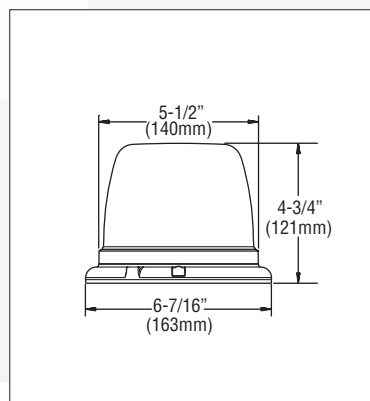
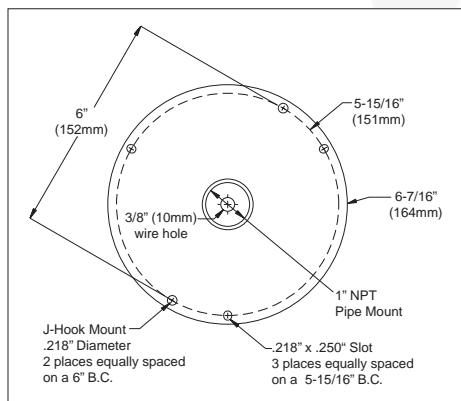


Model	Mount	Base	Amps	VDC	Patterns	Cert	Control
L41AP	Permanent	Cast aluminum powder coated	1.5 / peak 0.6 / avg. 12 VDC	12/24	75 SignalAlert™ default 25 Total Scan-Lock™ flash patterns, including steady-burn	Class 1 (Amber)	Photocell Hi/Low on permanent mount only
L41AM	Magnetic		0.75 / peak 0.3 / avg. 24 VDC				
L41AV	Magnetic/suction						

Note: The use of a magnetic mounted beacon or lightbar on the roof of a vehicle in motion is not recommended and is at the sole discretion and risk of the user.

Model	Option Description
MIRROR20	West Coast mirror mount bracket

MOUNTING



Super-LED® Beacons

L31 & L32 Series

- SAE Class 1 Certified (Amber)
- L31HAFCA model meets California Title XIII
- Powder coated die-cast base
- Fully encapsulated for moisture, vibration, and corrosion resistance
- Hard-coated lenses minimize environmental damage from sand, sun, salt, and road chemicals
- Synchronize to other Whelen sync products
- Five year warranty



L31HAF

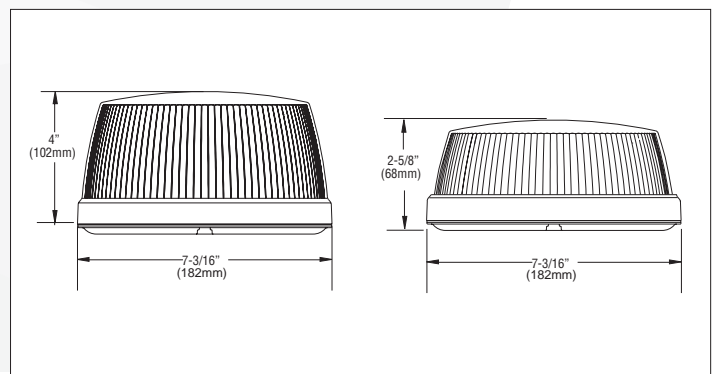
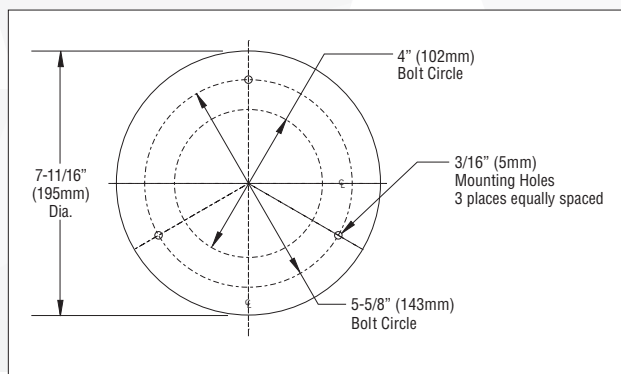


L32LAF

Model	Mount	Profile	Base	Amps	VDC	Patterns	Cert	Control
L31HAF	Permanent	High	Die-cast aluminum	5 / peak 2 / avg.	12	Permanent mount 30 built-in Scan-Lock™ flash patterns, including 4 simulated rotating patterns	Class 1 (Amber)	Hi/Low intensity control (permanent mount only)
L31HAM	Magnetic				24			
L31HAV	Magnetic/suction							
L31HAF4	Permanent							
L31HAFCA								
L32LAF	Permanent	Low		2.5 / peak 1 / avg.	12	Magnetic mount 75 SignalAlert™ only	Class 1 (Amber)	
L32LAM	Magnetic				24			
L32LAV	Magnetic/suction							
L32LAF4	Permanent							

Note: The use of a magnetic mounted beacon or lightbar on the roof of a vehicle in motion is not recommended and is at the sole discretion and risk of the user.

MOUNTING



*Super-LED® Lightheads***PAR-36 with Rubber Housing**

- Low current draw Super-LED combination Spotlight/Floodlight
- Rated to last thousands of hours with remarkable bright light
- Hard-coated lenses minimize environmental damage from sand, sun, salt, and road chemicals
- Black rubber stud/swivel housing
- Stainless steel bracket and hardware included
- For 24 VDC models, contact factory
- Five year warranty



P36SLCHG

Side view

Model	Mount	Amps	Size
P36SLCHG	Stud/swivel	0.85 @ 12 VDC 0.425 @ 24 VDC	5-1/2" (140mm) H x 4-7/8" (122mm) Dia x 3-5/8" (91mm) D



Super-LED® Lightheads

Pioneer Nano™ Series

- Three and six diode models
- Die-cast aluminum powder coated housing in Black or White
- Solid-state electronics
- Hard-coated lenses minimize environmental damage from sand, sun, salt, and road chemicals
- 8° spotlight pattern comes standard. Includes an additional 40° x 20° floodlight lens
- Optic lens changes easily via four screws in picture frame fixture
- Rated IP67 for dust and water resistance
- Powder coated stainless steel bail bracket with 3/8" stud carriage bolt mount
- Five year warranty



Model	Diodes	Mount	Housing	Amps	VDC	Watts	Lumens	Size
NP3BB	3	Bail/stud	Black	1	12	12.8	1100	1-7/8" (48mm) H x 1-3/4" (44mm) D x 3-1/2" (89mm) L
NP3BW			White					
NP6BB	6		Black	1.5		19.6	1800	
NP6BW			White					



Super-LED® Lighthead

TIR6™ Directional Warning Lights

- SAE Class 1 Certified
- Fully encapsulated for moisture, vibration, and corrosion resistance
- Hard-coated lenses minimize environmental damage from sand, sun, salt, and road chemicals
- LEDs are rated for thousands of hours of operation
- Available in Amber and White
- Five year warranty

4" Round

- Surface or grommet mount lighthead, requires an optional grommet or trim ring

500 Series

- Flush mount TIR6 Super-LED lighthead, requires an optional grommet or trim ring
- Surface mounting requires optional flange



4" Round TIR6 with flat lens



500 Series TIR6 with optional rubber grommet

Model	Series	Mount	Color Lighthead/Lens	Amps	VDC	Patterns	Size
2FA00ZAR	4" Round flat lens	Horizontal & Vertical	Amber/Amber	800mA max	12	25 Built-in Scan-Lock™ patterns	4-1/4" (108mm) Dia.
2FC00ZCR			White/Clear				
50A03ZAR	500 Series	Horizontal	Amber/Amber	800mA max	12	25 Built-in Scan-Lock™ patterns	1-5/8" (41mm) H x 5" (127mm) W
50C03ZCR			White/Clear				



Model	Series	4" Round Series Options Description
2GROMMET	4" Round	Rubber grommet kit
2FLANGEB		Surface mount Black flange kit
2FLANGEC		Surface mount Chrome plated flange kit

Model	Series	500 Series Options Description
5GROMMET	500 Series	Rubber grommet kit
5TSMAB		Black surface mount adapter
5TSMAC		Chrome surface mount adapter

2G & 5G Series

- SAE Class 1 Certified
- SmartLED® design requires no external flasher
- Fits all applicable industry mounting accessories
- Fully encapsulated for moisture, vibration, and corrosion resistance
- Hard-coated lenses minimize environmental damage from sand, sun, salt, and road chemicals
- Optional flange available for surface mounting
- Available in Amber with Amber lens
- Five year warranty



2GA00FAR



5GA00FAR

Model	Series	Lens Color	VDC	Size with grommet
2GA00FAR	2G (round)	Amber	12	5-1/2" (140mm) Dia.
5GA00FAR	5G (oval)			3-3/16" (81mm) H x 7-7/16" (189mm) W

Super-LED® Lightheads

ION™ Series

- Includes steady-burn, alternating, and simultaneous patterns
- Hard-coated lenses resist environmental damage from sand, sun, salt, and road chemicals
- Synchronize to other Whelen sync products
- Available in single colors Amber or White, or split colors Amber/White
- Five year warranty

ION

- ION models feature TIR directional optics

WION

- WION models feature wide-angle optics



IONSMA



WIONSMA

Model	Lamp Type	Technology	Mount	Color	Amps	VDC	Patterns	Size
IONSMA	Directional	Super-LED	Surface mount, includes flange	Amber	1/peak 0.40/avg	12	25 Built-in Scan-Lock™ patterns	1-11/16" (43mm) H x 1-1/8" (28mm) D x 5-15/16" (150mm) L
IONSMA				White				
IONSMA				Amber/White				
WIONSMA	Wide-angle			Amber				
WIONSMA				White				
WIONSMA				Amber/White				



Super-LED® Lighthead

TIR3™/LIN3™ Directional Warning Lights

- SAE Class 1 Certified
- Includes Black polycarbonate mounting flange
- Fully encapsulated for moisture, vibration, and corrosion resistance
- Hard-coated lenses minimize environmental damage from sand, sun, salt, and road chemicals
- Synchronize to other Whelen sync products
- Includes steady-burn, alternating, and simultaneous patterns
- Available in Amber and White
- Five year warranty

TIR3

- 3 Diodes
- Super-LED directional lighting

LIN3

- 3 Diodes with collimator for wide-angle lighting
- Linear Super-LED for more spread light output



Model	Technology	Mount	Color Lighthead/Lens	Amps	VDC	Patterns	Size
RSA03ZCR	TIR3 Super-LED	Horizontal, surface	Amber/Clear	0.40 / peak 0.16 / avg.	12	25 Built-in Scan-Lock™ patterns	1-1/8" (28mm) H x 1-1/4" (32mm) D x 3-1/2" (89mm) L
RSC03ZCR			White/Clear				
RVA03ZCR		Vertical, surface	Amber/Clear				
RVC03ZCR			White/Clear				
RSA02ZCR	LIN3 Super-LED	Horizontal, surface	Amber/Clear				
RSC02ZCR			White/Clear				



Option Model	Model	Option Description
RFLANGCD	TIR3 & LIN3	Chrome plated flange kit
RFLANGEA		Cast aluminum brush guard flange kit
RFLANG2C		Chrome flange for dual lighthead
RFLANG2B		Black flange for dual lighthead
RBKT1		Mounting bracket for one lighthead
RBKT2		Mounting bracket for two lighthead

Super-LED® Lightheads

Vertex™ Series

- Self-contained light with in-line lamp driver
- Designed to mount in composite style headlight or taillight, or surface mount to exterior surfaces with flange mount option
- Fully encapsulated for moisture, vibration, and corrosion resistance
- Hard-coated lenses minimize environmental damage from sand, sun, salt, and road chemicals
- Five year warranty



Model	Optic	Technology	Mount	Amps	VDC	Patterns	Size
VTX609*	Omni-directional	Super-LED	1" Hole recess or surface (mounting purchased separately)	.750 / peak .30 / avg.	12	25 Built-in Scan-Lock™	1" (26mm) H x 1-5/8" (41mm) Dia.

Replace asterisk in model number with desired color. A = Amber, C = Clear/White, R = Red



Model	Option Description
VTXFB	Black flange for surface mounting
VTXFC	Chrome plated flange for surface mounting

Super-LED® Lightbars

Justice® Series

- SAE Class 1 Certified
- Four corner modules plus eight CON3™ Super-LED modules
- Includes choice of permanent mount MKEZ7 mounting foot, or MKEZ29 strap mounting (order strap kits separately)
- Front, rear, and all bar operation control
- Clear outer domes with moisture resistant compression fit gasket
- Hard-coated domes minimize environmental damage from sand, sun, salt, and road chemicals
- Standard passenger side cable
- Five year warranty



Model	Technology	Mount	Base	Module	Color	Amps	VDC	Patterns	Size
JE2AMB	Super-LED	Permanent or strap	Black polycarbonate base on extruded aluminum platform	4-corner Linear Super-LED and 8 CON3 inboard modules	Amber	8.0 / peak 3.2 / avg.	12	52 Scan-Lock™ flash patterns	2-1/4" (57mm) H x 12" (304mm) W x 56" (147cm) L
JE8AMB									2-1/4" (57mm) H x 12" (304mm) W x 50" (142cm) L

Super-LED® Mini Lightbars

Mini Lightbars

- SAE Class 1 Certified
- Hard-coated lenses minimize environmental damage from sand, sun, salt, and road chemicals
- Five year warranty

Mini Liberty™ II Series

- Permanent mount includes low profile mounting kit and 15' cable
- Magnetic mount includes 90 lb. pull magnets, 10' cord, cigar plug with On/Off switch with LED "On" indicator, and flash pattern switch
- Clear outer lenses standard (optional color lenses available)

Mini Justice® Series

- Super-LED CON3™ modules and Linear Super-LED corners
- Permanent models come with 15' cable, magnetic and magnetic/suction mount with 10' cord, cigar plug with On/Off switch with LED "On" indicator, and Scan-Lock™ flash pattern switch
- Low profile, only 2-1/4" high
- Available in Amber and Amber/White



Model	Model	Technology	Mount	Base	Module	Color	Amps	VDC	Patterns	Size
IT9AAAAP	Liberty II	Linear Super-LED	Permanent	Extruded aluminum	4-corner Linear Super-LED	Amber	4.0 / peak 1.6 / avg.	12	58 Scan-Lock patterns	2-1/2" (64mm) H x 11-5/16" (287mm) W x 19-5/16" (49cm) L
IT9AAAAM			Magnetic							
MJEG1A	Justice	Linear & CON3 Super-LED	Magnetic	Polycarbonate on extruded aluminum platform	4-corner Linear-LED 4 inboard CON3	Amber/White	6.0 / peak 2.4 / avg.	95 Scan-Lock patterns	12"	2-1/4" (57mm) H x 12" (304mm) W x 22" (558mm) L
MJEG1F						Amber				
MJEP1A			Permanent			(4 Corner only)				
MJEP1F							Amber/White			

Note: The use of a magnetic mounted beacon or lightbar on the roof of a vehicle in motion is not recommended and is at the sole discretion and risk of the user.



Super-LED® Mini Lightbars

Mini Century™ Series

- Extruded aluminum base
- Standard current switching with Scan-Lock™ flash patterns and pattern override
- Low profile with compression fit gasket for superior moisture resistance
- Pre-configured lightbars
- Available in Amber and White



Model	Technology	Mount	Base	Color	Dome	Amps	VDC	Patterns	Size		
MC11PA	4 Linear Super-LED corners and TIR6™ Super-LED inboards	Permanent	Aluminum	Amber	Amber	3.6 / peak 2.2 / avg.	12	17 Scan-Lock™ flash patterns	2-3/8" (61mm) H x 7-3/4" (197mm) W x 11-1/2" (292mm) L		
MC11MA		Magnetic									
MC11SA		Stud									
MC16PA		Permanent		Driver side, Amber Passenger side, White	Clear	4.8 / peak 3 / avg.			12	17 Scan-Lock™ flash patterns	2-3/8" (61mm) H x 7-3/4" (197mm) W x 16-9/16" (421mm) L
MC16PF											
MC16MA		Magnetic		Amber	Amber						
MC16MF											
MC16VA		Magnetic/ suction		Driver side, Amber Passenger side, White	Clear						
MC16VF											
MC16SA		Stud		Amber	Amber						
MC16SF											
MC23PA		Permanent		Amber	Amber	7.2 / peak 4.4 / avg.			12	17 Scan-Lock™ flash patterns	2-3/8" (61mm) H x 7-3/4" (197mm) W x 23-1/4" (591mm) L
MC23PF											
MC23MA		Magnetic		Driver side, Amber Passenger side, White	Clear						
MC23MF											
MC23VA		Magnetic/ suction		Amber	Amber						
MC23VF											
MC23SA	Stud	Amber	Amber								
MC23SF											

*Also available with Clear domes, add -CA to end of model number.

Note: The use of a magnetic mounted beacon or lightbar on the roof of a vehicle in motion is not recommended and is at the sole discretion and risk of the user.



Super-LED® Mini Lightbars

Responder® LP R1 Series

- SAE Class 1 Certified (Amber)
- Super-LED low profile conical (CON3™) mini lightbar
- Polycarbonate dome
- Available with extruded aluminum or polycarbonate base
- Hard-coated lenses minimize environmental damage from sand, sun, salt, and road chemicals
- Available in permanent, magnetic, and magnetic/suction mount models
- Available in Amber or Amber and White
- Five year warranty

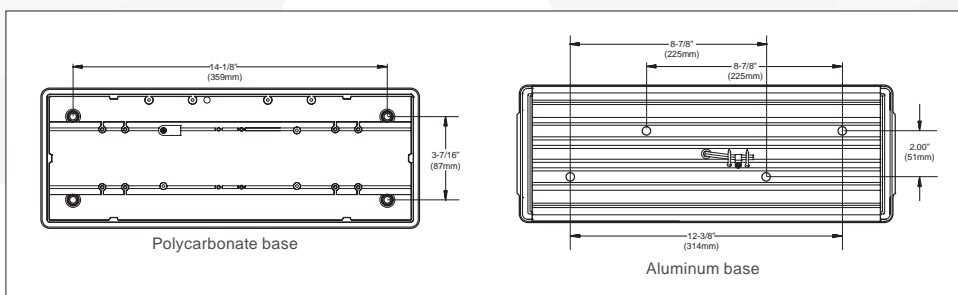


Model	Technology	Mount	Base	Color	Dome	Amps	VDC	Patterns	Size
R1LPPA	CON3 Super-LED	Permanent	Poly-carbonate	Amber	Amber	3 / peak 1.2 / avg.	12	30 Scan-Lock™ flash patterns, including 4 simulated rotating patterns (permanent mount only)	2-7/8" (74mm) H x 6-5/16" (160mm) W x 17" (432mm) L
R1LPPF				Split Amber/ White	Clear				
R1LPMA				Amber	Amber				
R1LPMF		Magnetic		Split Amber/ White	Clear				
R1LPVA		Magnetic/ suction		Amber	Amber				
R1LPVF				Split Amber/ White	Clear				
R1LPHPA			Permanent	Aluminum	Amber			Amber	
R1LPHMA		Magnetic							
R1LPHVA		Magnetic/ suction							

*Also available with Clear domes, add -CA to end of model number.

Note: The use of a magnetic mounted beacon or lightbar on the roof of a vehicle in motion is not recommended and is at the sole discretion and risk of the user.

MOUNTING



Super-LED® Mini Lightbars

Responder® LP R2 Series

- SAE Class 1 Certified (Amber)
- Super-LED low profile linear (LIN6™) mini lightbar
- Polycarbonate dome
- Hard-coated lenses minimize environmental damage from sand, sun, salt, and road chemicals
- Available with extruded aluminum or polycarbonate base
- Available in permanent, magnetic, and magnetic/suction mount models
- Available in Amber or Amber and White
- Five year warranty



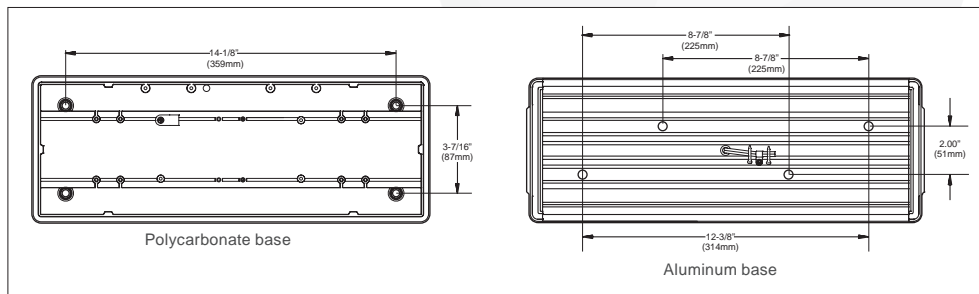
Model	Technology	Mount	Base	Color	Dome	Amps	VDC	Patterns	Size		
R2LPPA	LIN6 Super-LED	Permanent	Poly-carbonate	Amber	Amber	6 / peak 2.4 / avg.	12	30 Scan-Lock™ flash patterns including, 4 simulated rotating patterns (permanent mount only)	2-7/8" (74mm) H x 6-5/16" (160mm) W x 17" (432mm) L		
R2LPPA4										24	
R2LPPF				Split color Amber/ White	Clear						
R2LPMA		Magnetic	Poly-carbonate	Amber	Amber						
R2LPMF				Split color Amber/ White	Clear						
R2LPVA				Amber	Amber						
R2LPVF		Magnetic/ suction	Permanent	Aluminum	Split color Amber/ White		Clear		12	ActionScan™ default (magnetic mount only)	3-1/4" (83mm) H x 6-5/16" (160mm) W x 17" (432mm) L
R2LPHPA											
R2LPHMA		Magnetic			Amber		Amber				
R2LPHVA	Magnetic/ suction										

*Also available with Clear domes, add -CA to end of model number.

Note: The use of a magnetic mounted beacon or lightbar on the roof of a vehicle in motion is not recommended and is at the sole discretion and risk of the user.



MOUNTING



Traffic Advisors™

TACF Series

- 15' cable standard, extra length cables available
- Black extruded aluminum housing
- Hard-coated lenses minimize environmental damage from sand, sun, salt, and road chemicals
- Includes control head
- Four operating modes; left, right, split, and flashing. Rear dip switch provides 8 flash pattern choices
- LED has five year warranty, halogen has two year warranty (excludes bulbs)



TACF85

Model	Technology	Mount	Modules	Control Head	VDC	Patterns	Encapsulated	Size
TACF85	CON3™ Super-LED®	Slide bolt	8 Front load CON3	TACTLD1 (included)	12	4 Left, right, split & flashing	-	2-3/8" (60mm) H x 2-3/8" (60mm) W x 43-1/8" (115cm) L

TAC8 Series

- Built-in left arrow, right arrow, split arrow, and warning functions
- Hard-coated lenses minimize environmental damage from sand, sun, salt, and road chemicals
- LED modules are sealed units (IP67 rated)
- Black powder coated aluminum extrusion
- Control head features an auxiliary control for a device up to 6A
- Five year warranty



Model	Technology	Mount	Modules	Control Head	VDC	Patterns	Encapsulated	Cable Length	Size
TAC815	Super-LED	Slide bolt	8 front loaded Super-LED	Included	12	Left, right, split & flashing. 9 TA sequences. 9 programmable flash patterns	-	15'	2" (51) H x 2-41/64" (67mm) D x 47-3/4" (121cm) L
TAC830								30'	
TAC850								50'	

Back-up Alarms

Electronic Back-Up Alarms

- Meets OSHA, Bureau of Mines, all State regulations
- Glass filled nylon housing
- Encapsulated solid-state electronics
- Steam cleanable, pressure washable
- Mount horizontally or vertically
- One year warranty



WBUA97
WBUA107

WBUA112
WBUA112C

Model	Decibels	SAE Code	VDC	Size
WBUA97	97	Type C	12/24	2-3/4" (69mm) H x 1-1/2" (38mm) D x 4" (102mm) W
WBUA107	107	Type B	12/24	2-3/4" (69mm) H x 1-1/2" (38mm) D x 4" (102mm) W
WBUA112	87-112	--	12/24	4" (101mm) H x 2-7/8" (73mm) D x 5-1/8" (130mm) W
WBUA112C	112	Type A	12/24	4" (101mm) H x 2-7/8" (73mm) D x 5-1/8" (130mm) W