



INSTALLATION INSTRUCTIONS

Semi-Hidden Kit 62289 & Skirting Kit 38772 For Ford Super Duty Trucks

As you read these instructions, you may see **NOTES**, **CAUTIONS** and **WARNINGS**. Each message has a specific purpose. **NOTES** are additional information to help you complete a procedure. **CAUTIONS** are safety messages that indicate a potentially hazardous situation, which, if not avoided, may result in minor or moderate injury. A **CAUTION** may also be used to alert against unsafe practice. **WARNINGS** are safety messages that indicate a potentially hazardous situation, which, if not avoided could result in serious injury. **CAUTIONS** and **WARNINGS** identify the hazard, indicate how to avoid the hazard, and advise of the probable consequence of not avoiding the hazard. **PLEASE WORK SAFELY!**

NOTE; Please completely read and understand instructions before starting installation.

NOTE: Factory driving/fog lights cannot be used with this kit. Also, this installation requires some drilling. Holes will need to be drilled for 1/4" and 7/16" fasteners. The holes for the 7/16" fasteners will be drilled through 1/4" steel.

PARTS LIST FOR 62289

PART NO.	QUANTITY	DESCRIPTION
38573	1	License Plate Bracket
62287	1	Winch Mounting Bracket
63776	1	Intermediate Brace RH
63778	1	Intermediate Brace LH
62276	1	Fairlead Mounting Plate
63777	1	Control Pack Bracket
62312	1	Frame Extension, LH
62313	1	Frame Extension, RH
62283	1	Upper Bracket, RH
62282	1	Upper Bracket, LH
62285	1	Lower Bracket, RH
62284	1	Lower Bracket, LH
62286	1	Extender Plate
63775	2	Extension, Bumper
61345	4	Shim, Triangular
64155	4	Stop Turn Handle

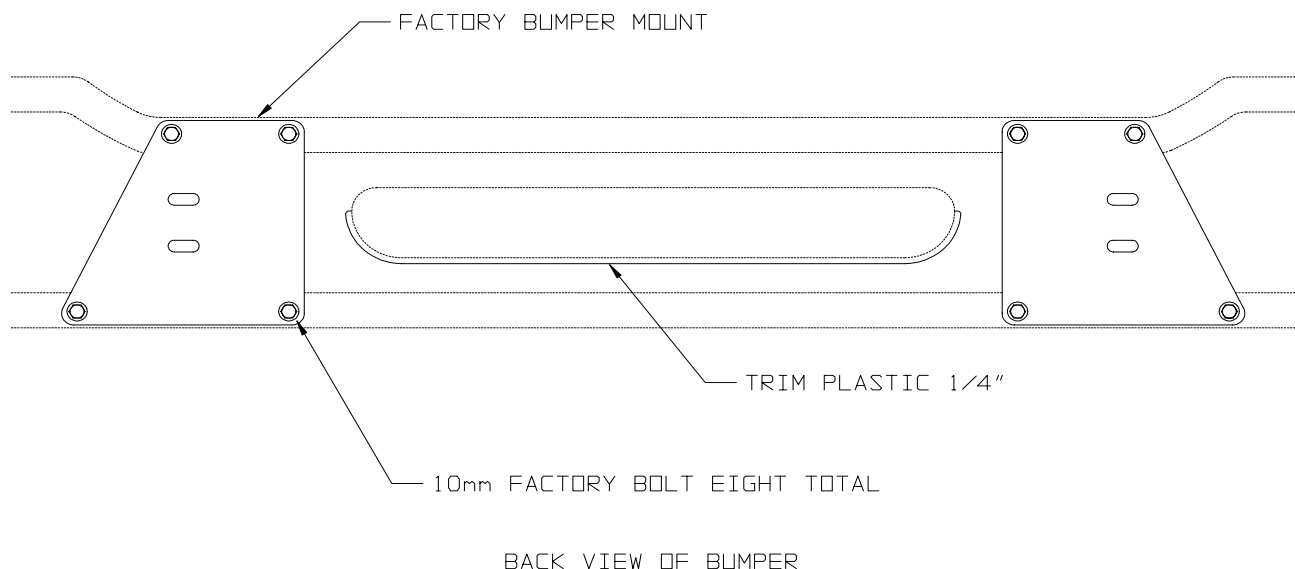
PARTS LIST FOR 38772

38958	1	End Cap, LH
38959	1	End Cap, RH
38960	1	Trim Panel

TORQUE SPECIFICATIONS	
BOLT SIZE	TORQUE
3/8 inch	30 lb. ft. (40.7 N-m)
7/16 inch	50 lb. ft. (67.8 N-m)
1/2 inch	75 lb. ft. (101.7 N-m)
5/8 inch	150 lb. ft. (203.4 N-m)

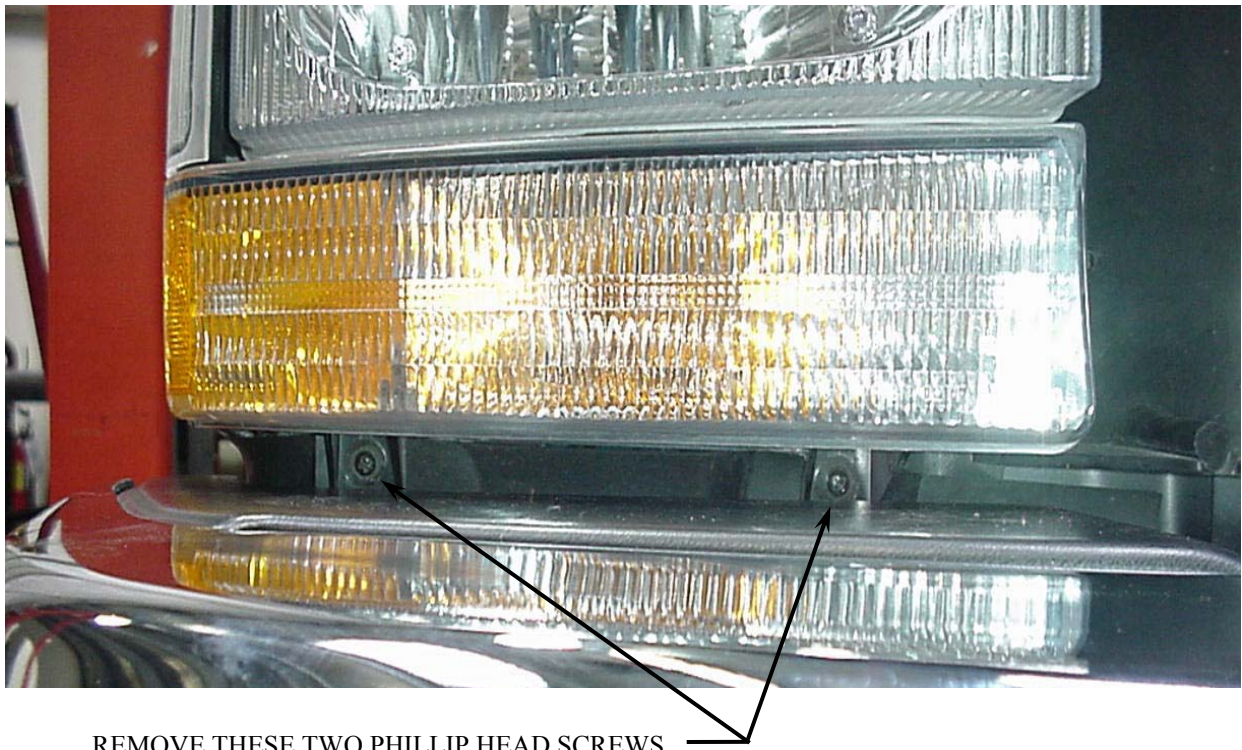
1. Take note of the gap between the top of the bumper and the bottom of the grille and light area. Compare the driver side to the passenger side. Also note the side-to-side alignment of the bumper to the truck. This kit is designed with ample adjustment to fine tune bumper alignment upon reinstall.
2. Remove the bumper. First detach the rubber air baffle from the back of the bumper by prying out the three plastic fasteners. **NOTE: Try not to damage these. You will use these later to reattach the air baffle.** Disconnect the block heater plug and wiring (if so equipped). Remove the four bolts securing the bumper in place, there are (two bolts per side), just outboard of the tow loops. Go back and forth between the two bolts, loosening each a little bit at time, until removed. If one bolt is completely removed, the nut plate on the backside of the bumper will spin when you try to back out the other bolt.
3. Remove the license plate bracket from the bumper. Remove the bumper mount plates from the back of the bumper (retain the fasteners), and trim the plastic as indicated. **See Figure 1. NOTE: Trimming of plastic applies to chrome plated bumpers only.**

FIGURE 1



4. Remove the turn signal/marker light assemblies. Remove the phillip head screws (two per side), and then grasping the light assembly, firmly pull straight out from vehicle. This will dislodge the alignment pins. Unplug the wiring harness from the rear of the assembly. Place lights in safe place to be reinstalled later. See Figure 2.

FIGURE 2



REMOVE THESE TWO PHILLIP HEAD SCREWS.

5. Remove the tow loops (retain the fasteners)
6. Secure the cosmetic plates on the ends of the truck's frame rails by bending the bottom tabs up. You can remove them if you like.



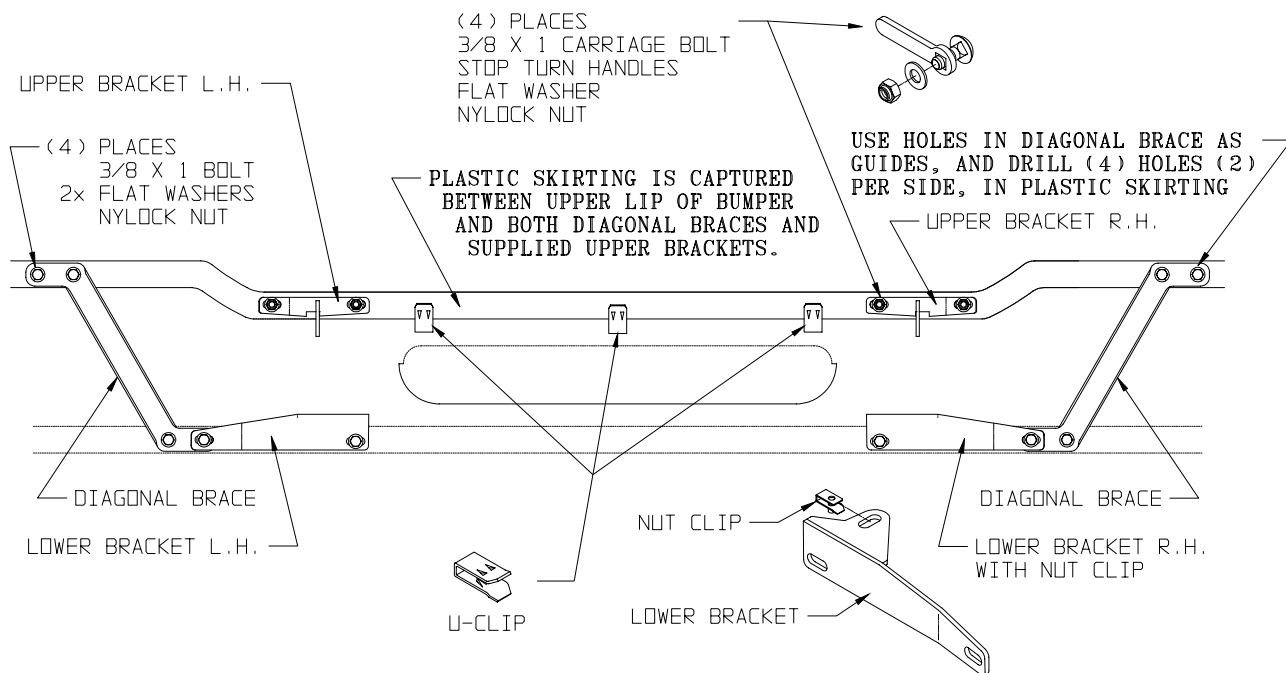
WARNING



Drilling operations can cause flying metal chips. **WEAR SAFETY GOGGLES.** Flying metal chips can cause eye injury.

- Remove bolts from the upper end of both diagonal braces. Slide the Plastic Skirting between the diagonal braces and upper lip of bumper. Place upper brackets atop Plastic Skirting securing to bumper using specified fasteners and lightly tighten. **Note how the “Stop Turn Handles” are used on the carriage bolts. See Figure 3.** Using your diagonal braces as guides, drill 7/16” holes as needed and install specified fasteners and securely tighten. See **Figure 3**. Attach the nut clips to the Lower Brackets and install to bumper (use the factory fasteners) lightly tighten. Install U-clips in approximate locations shown in **Figure 3**.

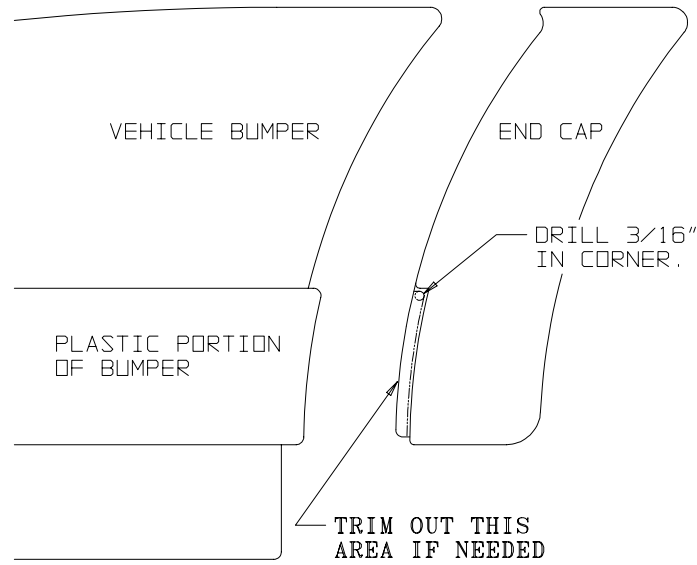
FIGURE 3



- With the bumper removed from the vehicle prepare it for the later installation of the End Caps. The driver’s side is shown in **Figure 4**. Clamp the end caps onto the bumper. **If your truck has a chrome plated bumper, you will need to cut out the recessed portions of the end caps.** Use the holes in the end caps to mark the hole locations needed in the bumper. Drill through the bumper lips for the 1/4” fasteners. Set End Caps aside for later installation. Do not install End Caps at this time, they will interfere with bumper installation.
- WARNING: The trim panel has been designed to be a cosmetic piece only. Do not stand or walk on it. Standing or walking on it will break the plastic and could cause serious injury.**

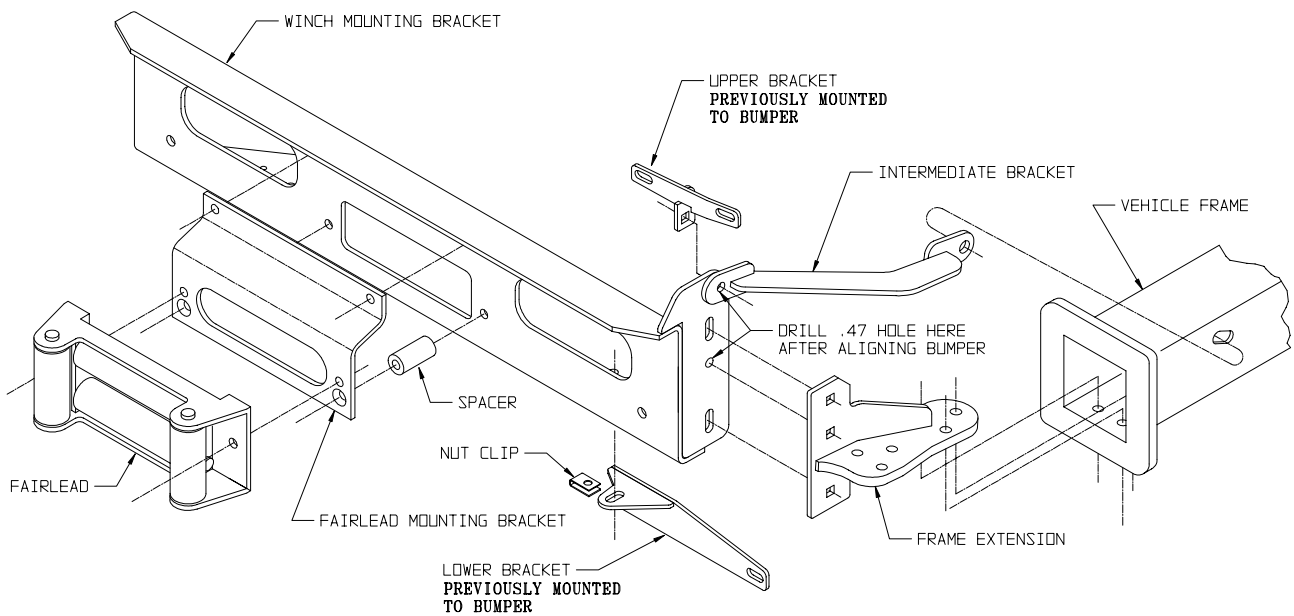
NOTE: Drill 1/4” hole in corner of recess then cut towards hole. This method reduces the chance of cracks in the end caps. Then cut from edge of the part to hole, this will achieve a much cleaner look.

FIGURE 4



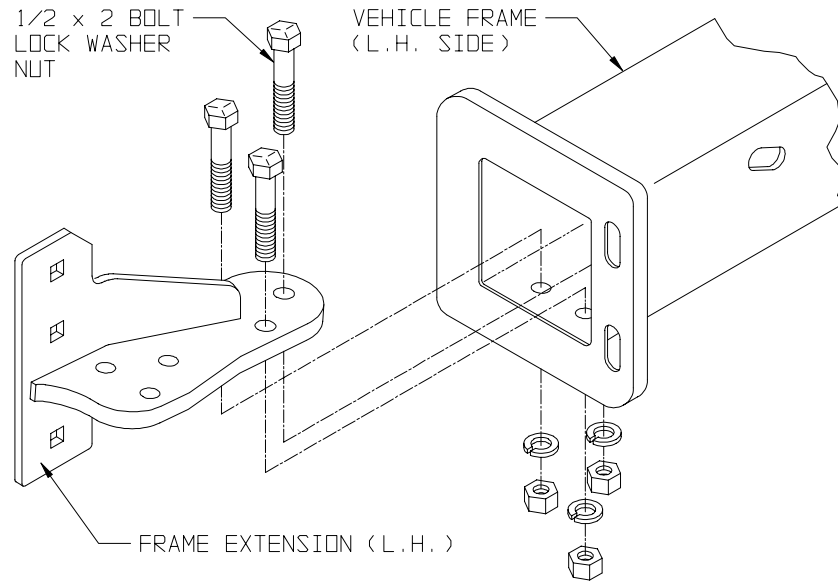
10. Review **Figure 5** to become familiar with the parts and their locations. Please follow these instructions step by step to ease the installation of this kit.

FIGURE 5



11. Install the frame extensions as shown. See **Figure 6**. Leave the fasteners hand tight. **NOTE: Due to vehicle variation, you may have to enlarge a hole in the frame rail to get all three bolts installed.**

FIGURE 6



12. Assemble the winch to the winch mounting bracket as shown. See Figures 7a & 7b. Securely tighten the fasteners. When installing the 15,000 lb or 16.5 ti winch use the Control Pack Bracket supplied in this mounting kit. With the 16.5 ti use a 7/16" x 1" hex bolt instead of the socket head bolt to mount the Control Pack Bracket. Position the front face of the control pack approximately 3/8" from the back surface of the winch mounting bracket.

FIGURE 7a

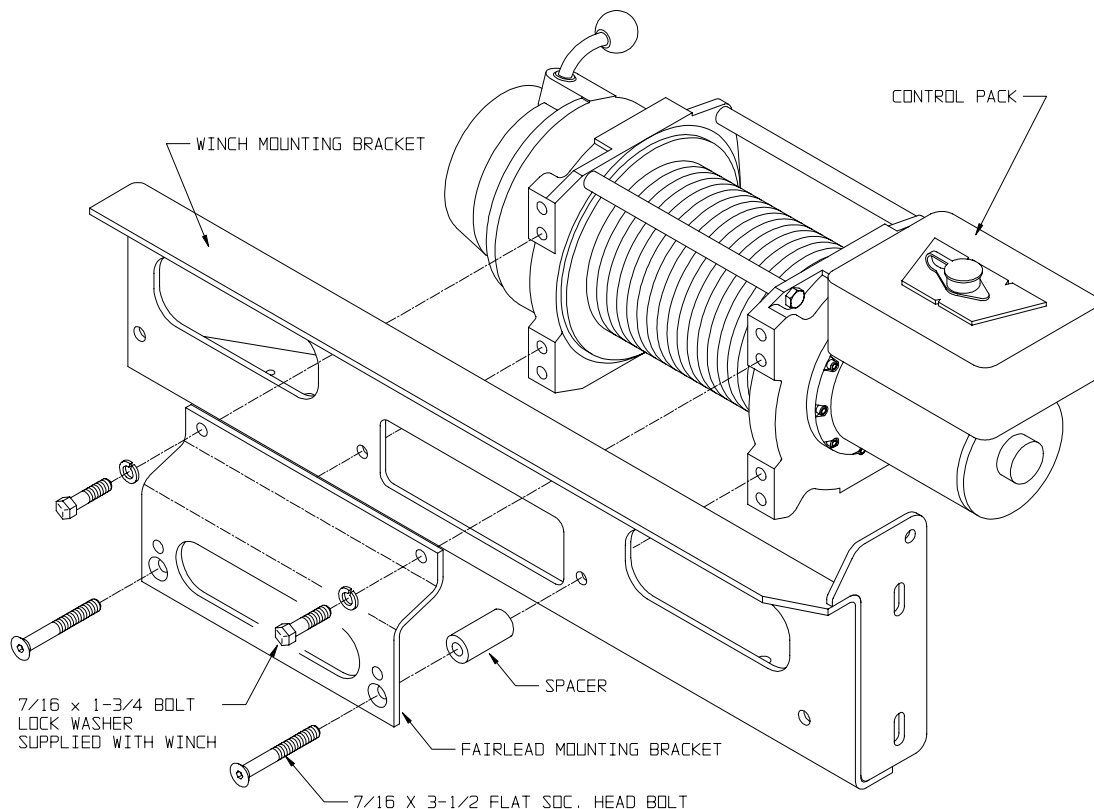
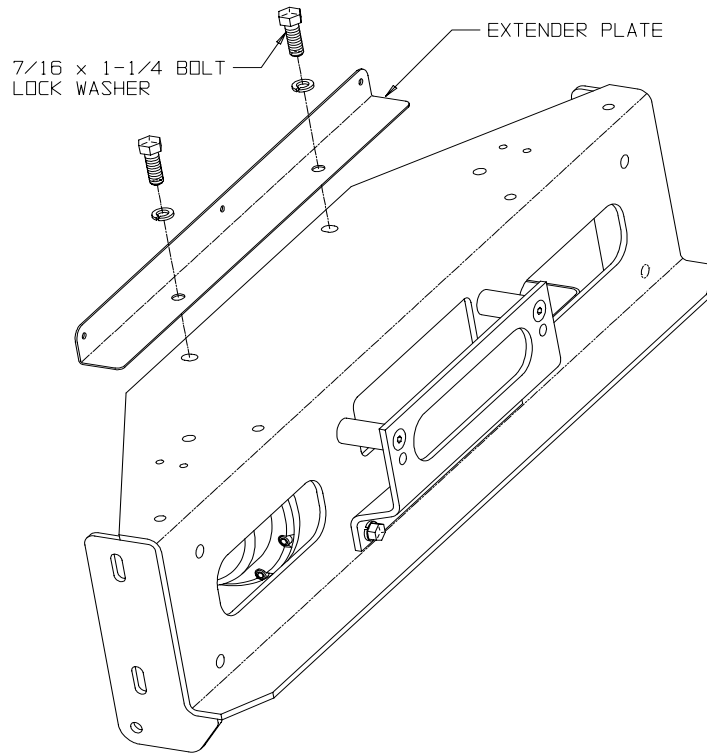
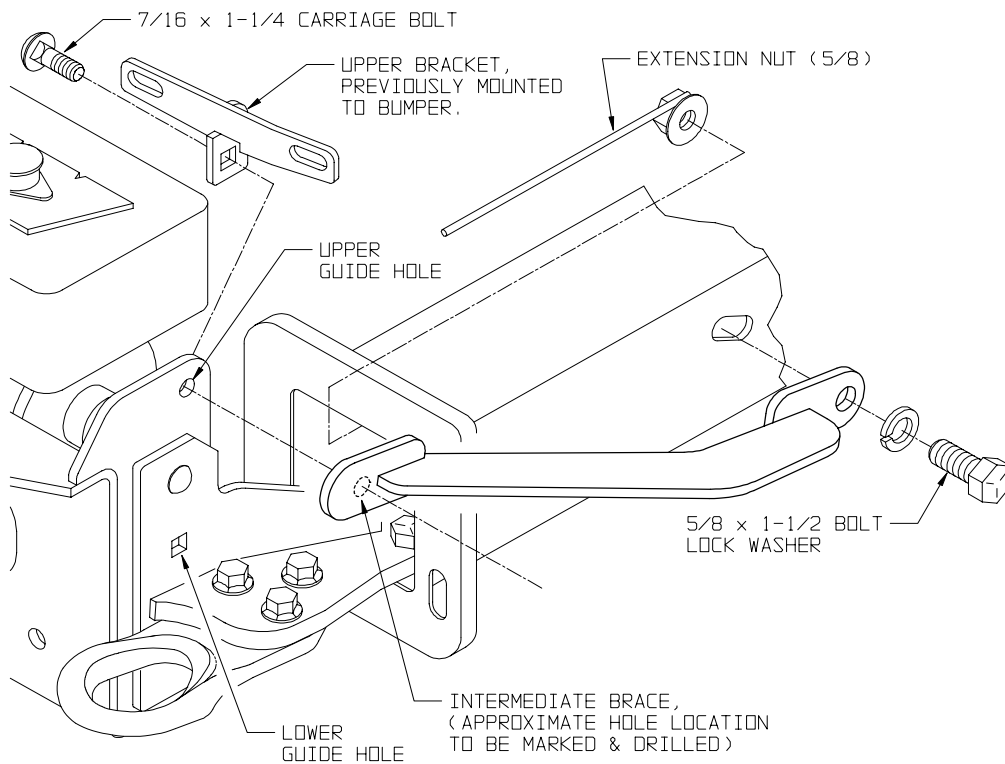


FIGURE 7b



13. Attach the winch mounting bracket to the frame extensions, using the supplied 7/16 carriage bolts and nuts, lightly tighten at this time as adjustment may be needed. **See Figure 8. Securely tighten the fasteners which attach the frame extensions to the frame. (If the winch interferes with the power steering cooler, see p.9)**

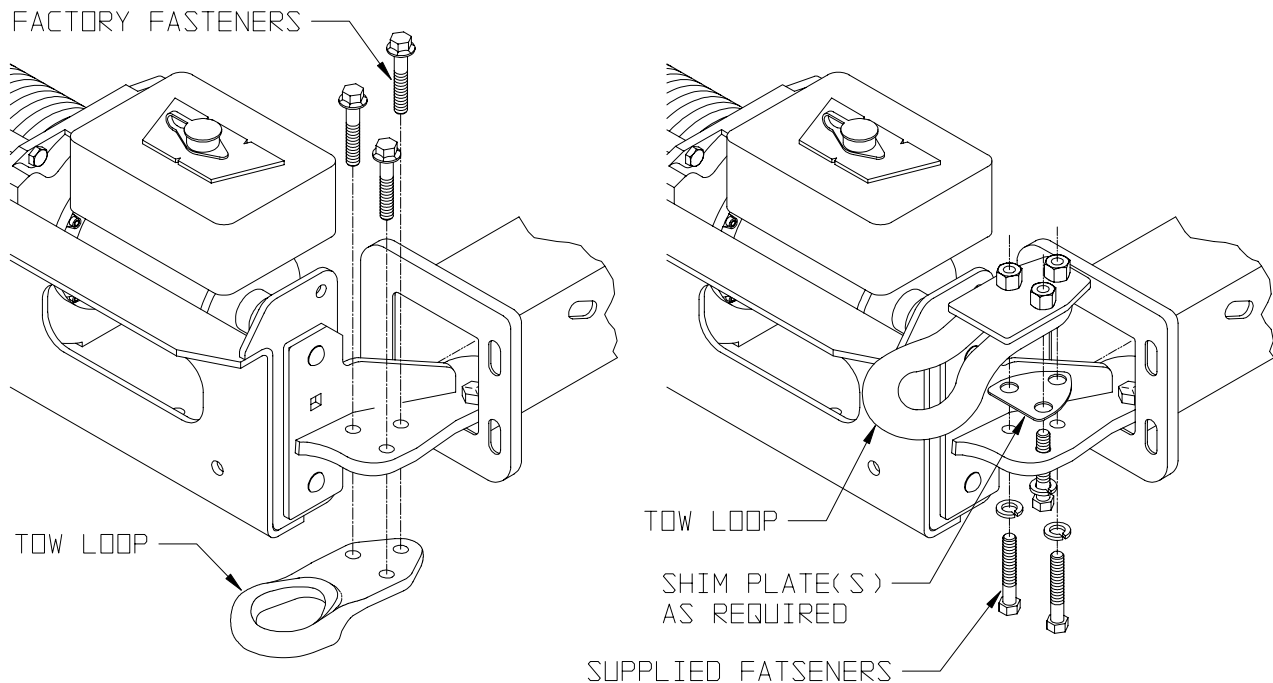
FIGURE 8



Attach the bumper to the winch mounting bracket assembly, with the Upper Brackets and Lower Brackets. See **Figures 5 & 8** for Upper Bracket attachment points and **Figures 5 & 10** for the Lower Brackets attachment points. Leave the fasteners slightly tight. Check the bumper for side-to-side alignment with the truck. **NOTE: Route the winch's power leads to the battery now (See winch instructions).**

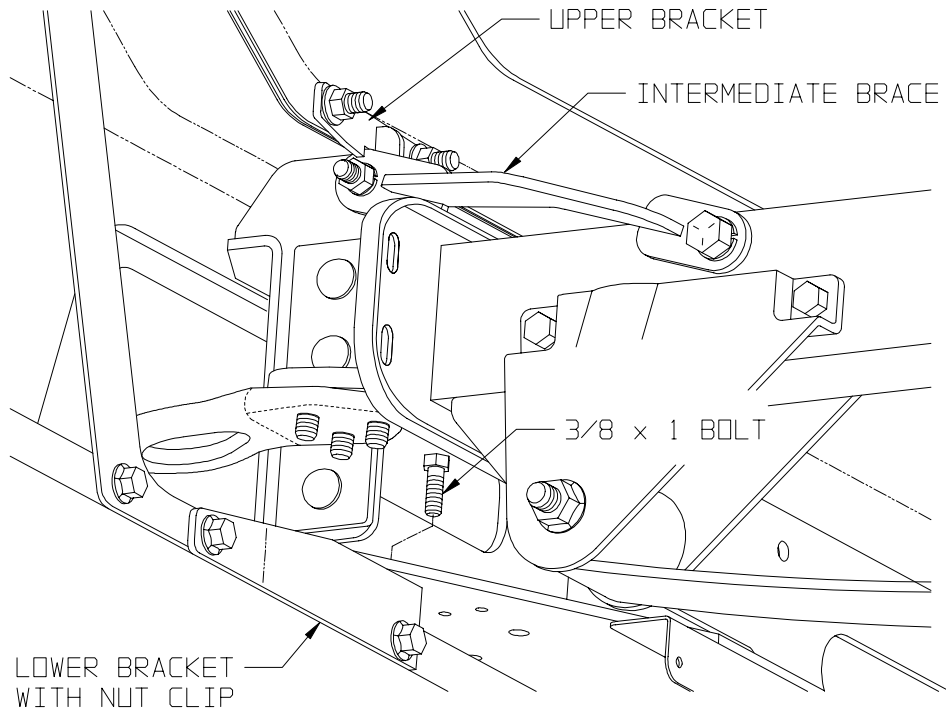
14. Using a floor jack and jack stands, or other like means, adjust the bumper/winch mounting bracket vertically so that there is approximately a 1" gap between the top of the bumper and the bottom of the turn signal/marker light assemblies. This assembly was removed earlier, but may be temporarily installed to check the 1" gap, (the phillip head screws do not need to be reinstalled at this time). Once the gap has been achieved remove light assembly. **Securely tighten the fasteners, which attach the frame extensions to the winch mounting bracket.** Remove the bumper.
15. Install the intermediate braces so that the 5/8" bolts are all the way forward in the slotted frame holes. **Leave the fasteners hand tight.** **NOTE: The nut on the rod is installed inside the frame rail.** See **Figure 8.** Using the upper and lower guide holes, mark and drill through the sides of the winch mounting bracket, and through the intermediate braces (remove braces to drill holes, then reinstall with 5/8" fasteners only, hand tighten at this time). See **Figure 8.** **Securely tighten the lower 7/16" carriage bolt.**
17. Attach the tow loops. Choose the illustration below that best resembles your type of tow loop and install accordingly. See **Figure 9**

FIGURE 9



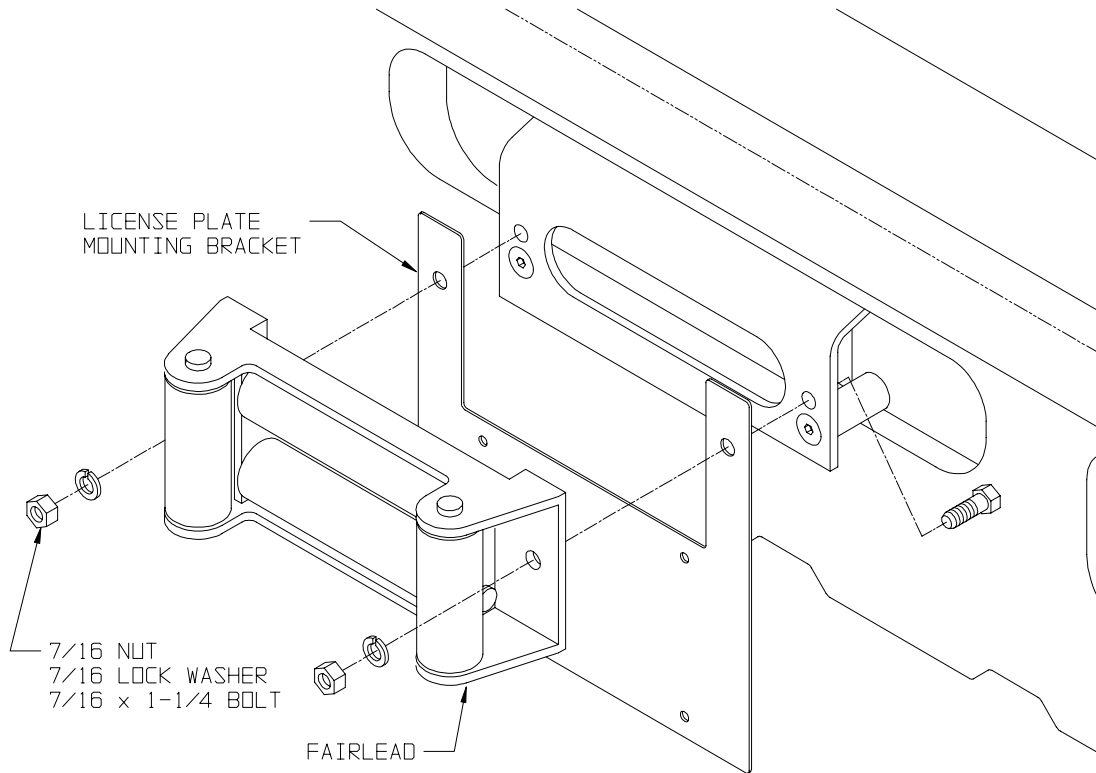
18. Reinstall the bumper, attaching it with a 7/16" carriage bolt through the upper bracket, winch mounting bracket and the intermediate brace. See **figure (5,8 & 10).** Also attached at the lower bracket/winch mounting bracket location. See **Figure 5 & 10**

FIGURE 10



19. Reinstall the turn signal/marker light assemblies, be sure to reconnect the wiring harness.
20. Attach the fairlead and front license plate mounting bracket (if your state requires a front plate). See **Figure 11**.

FIGURE 11

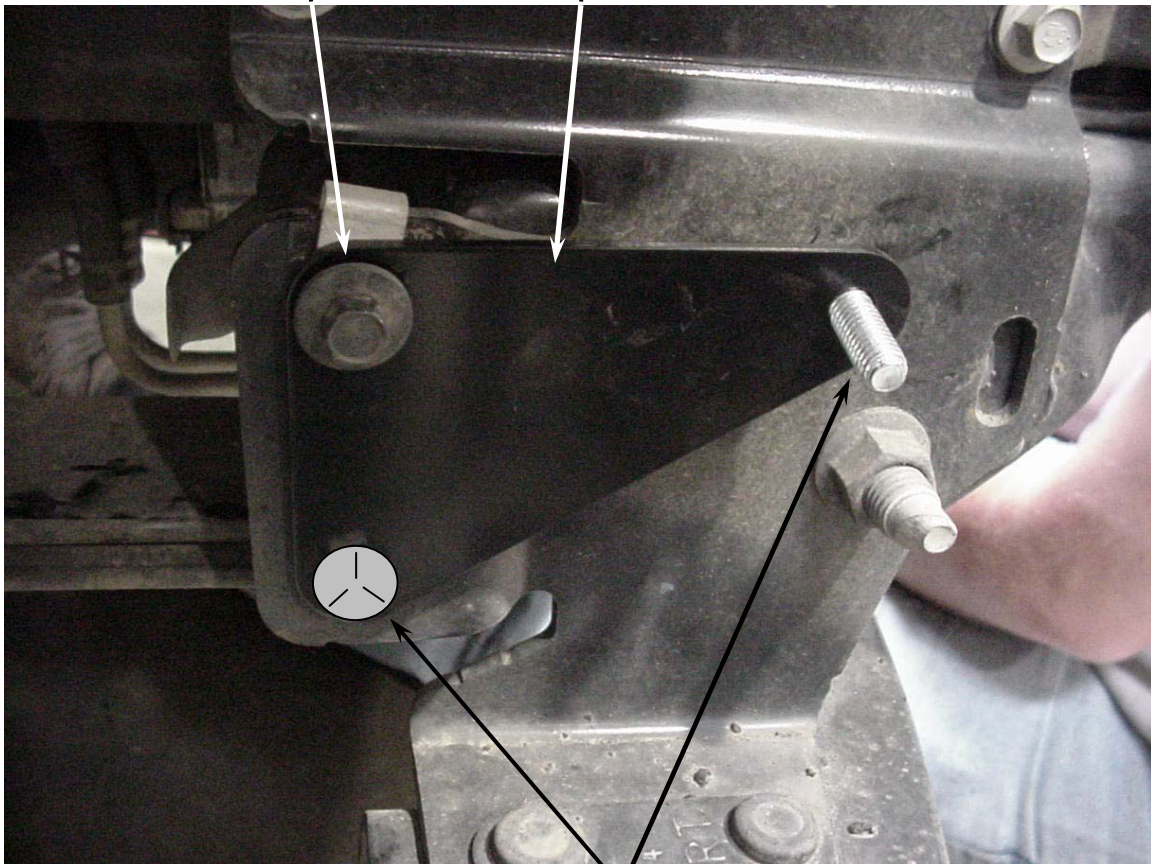


21. Attach the end caps using the provided 1/4 x 3/4 bolts, flat washers (2 per bolt), and nylock nuts. View the bumper from the side. If alignment with the truck is off (ends are pointing down or up), go to the lower brackets and make use of the slotted hole attachment points (at the nut clips). Adjust as necessary.
22. Use the provided black self-tapping screws to pin the end caps and trim panel together.
23. Securely tighten the upper and lower bracket fasteners, intermediate brace.
24. Attach the rubber air baffle to the extender plate.
25. If you have a block heater plug, use the provided zip-ties to secure it behind the bumper.
26. If your truck has the triangular braces at the outer ends of the bumper use supplied bracket to reattach bumper to frame. See **Figure 12**.

FIGURE 12

STOCK FASTENERS

SUPPLIED BRACKET



7/16 x 1-1/4" CARRIAGE BOLT
 FLAT WASHER (USED OVER SLOTS)
 LOCK WASHER
 NUT

Relocation of Power Steering Cooler

Some models of Ford Super Duty trucks have an extra large power steering cooler, which will interfere with the winch when the Warn Semi-Hidden winch mount 38750/62289 is being installed. When this occurs, the cooler should be relocated up behind the grille as shown below. The following parts are required. They are available at any NAPA Auto Parts store as well as most other parts stores:

- **3/8" Transmission Oil Cooler Hose, NAPA #H1937, two 12" pieces**
- **3/8" Hose Coupler Fitting, NAPA #90-552, two required**
- **Screw Type Hose Clamp, four required**
- **Tie Wraps, approx. 12", two required**
- **Appropriate Power Steering Fluid**

Remove the grille and the cooler from the vehicle. Lengthen the factory hoses using the coupler fitting, 12" hose sections and hose clamps. Install hoses onto cooler and use the tie wraps to loosely install the cooler as shown. Reinstall the grille and then tighten the tie wraps securely.

