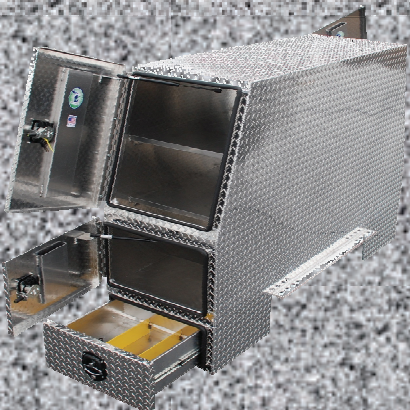


2020 - 2021 HD CATALOG



NEW Back Pack with Drawers Pg. 17



NEW Flatbed Safe Box Pg. 12

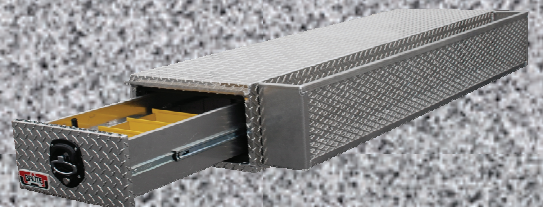


Table of Contents

At **Unique Truck Accessories**, we are no stranger to building tool boxes for the heavy truck industry. We've been building "Private Label" HD boxes for over 15 years. We have been building class 1-5 truck boxes for over **28 years**.

"WE DO WORK" means we build truck boxes for the WORK truck. Our products can withstand the harsh environment that professional truckers and contractors live and work in every day. We've been domestically manufacturing at our plant in Sturgis, Michigan since 1992.

We are proud of our BRUTE HD products for heavy trucks. Something we know a lot about. And for those of you who know heavy trucks...you'll immediately notice the attention to detail in the way we produce and assemble these boxes. Starting with the smart designs and reinforced corners then moving on to the hinges and top notch locking hardware.

Unique Truck Accessories and BRUTE products have always been innovative and sensible designs. We welcome you to compare these boxes to any brand you are comfortable with. We know the least we will do is come toe to toe with the best in the business.



Custom Upfits.....	3
Under Body Boxes	4-11
Under Body w/ Single Drawer.....	4
Under Body w/ Top Drawer & Bottom Compartment.....	5
Under Body w/ 2 Drawers.....	6
Under Body w/ Top Rear Angles.....	7
Under Body w/ Drop Down Door.....	8-9
Under Body w/ Left Swing Door.....	10
Under Body w/ Barn Doors.....	11
Flatbed Safebox (New Design)	12
Topsider Boxes	12-15
Top Siders w/ Drawers Flat Bed.....	12-13
Top Siders H.C. w/ Flip Up Doors.....	14
Top Siders w/ Flip Up Door.....	15
Back Packs	16-19
Back Pack Upfits	16
Back Pack w/ Drawers (New Design)	17
Back Packs w/ Doors.....	18-19
Step Boxes	20
Pickup Truck Flatbeds.....	21
BedSafe™ Roller Drawer Boxes	22-25
BRUTE Marketing Tools	26
Unique Truck Accessories for over 28 Years	27



A LEADER IN CUSTOM UPFITS

Custom Upfit on Aerial Truck Includes: Custom Flatbed, Standard Underbodies, 2 Drawer Underbodies, Bedsafe, Custom Crossbox



Shown below Complete Custom Flatbed Upfit with Various Underbody Toolboxes, Custom Crossbox and Entry Steps for easy access.



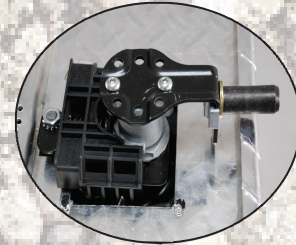


UNDER BODY WITH SINGLE DRAWER

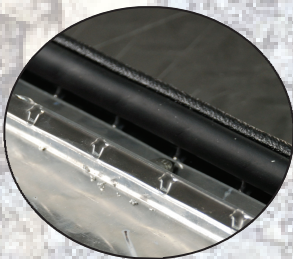
- Adjustable Dividers to **Organize** Your Work
- 100 lb Capacity Drawer Slides
- Free Turning Handle When Locked
- STRATTEC High Quality Key Cylinder
- .100 Thick Diamond Tread Aluminum
- .080 Smooth Aluminum Drawer Interiors



Compression Handle



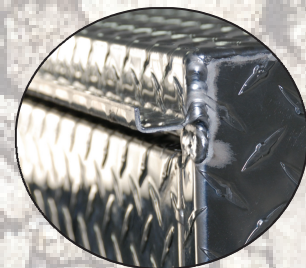
Roller Cam Latch



Genuine Trim-Lock Bulb Seal



Reinforced Bottom Corners



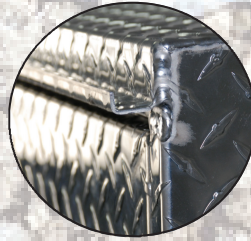
Overhead Rain Gutter

Available in **Black Texture Powdercoat**. Just add **BT** to end of model number

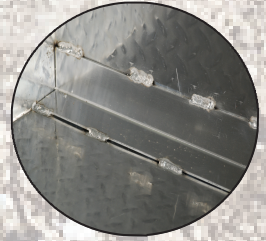
MODEL	SIZE
HD141424	24L/13.50D/14H
HD141430	30L/13.50D/14H
HD141824	24L/18D/14H
HD141830	30L/18D/14H



**UNDER BODY WITH TOP DRAWER
and BOTTOM COMPARTMENT**



Overhead Rain Gutter

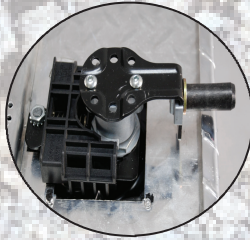


Reinforced Bottom Corners

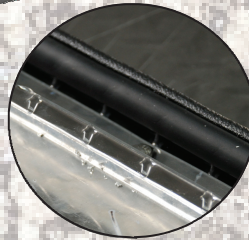
- Top Drawer w/ Adjustable Dividers to **Organize** Your Work
- Bottom Compartment
- 100 lb Capacity Drawer Slides
- Free Turning Handle When Locked
- STRATTEC High Quality Key Cylinder



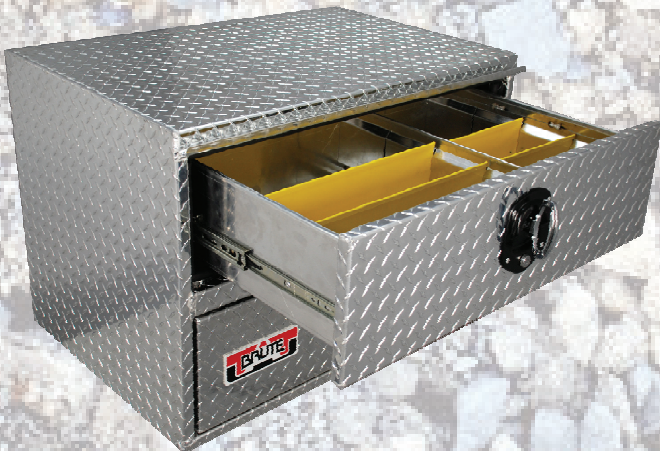
Compression Handle



Roller Cam Latch



Genuine Trim-Lock Bulb Seal



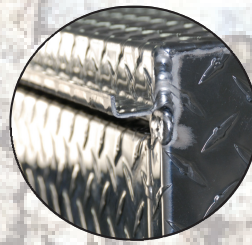
- .100 Thick Diamond Tread Aluminum Construction
- .125 Thick Smooth Aluminum Bottom Corner Reinforcement
- .080 Smooth Aluminum Drawer Interiors

MODEL	SIZE
HD2124	24L/18D/21H
HD2130	30L/18D/21H
HD2136	36L/18D/21H
HD2148	48L/18D/21H

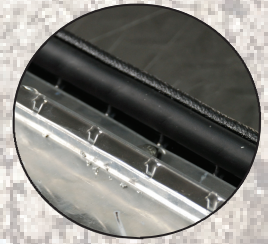
Available in **Black Texture Powdercoat**.
Just add **BT** to end of model number



UNDER BODY WITH TWO DRAWERS



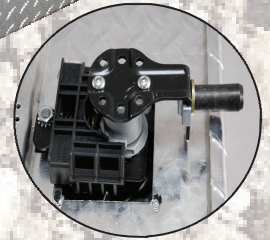
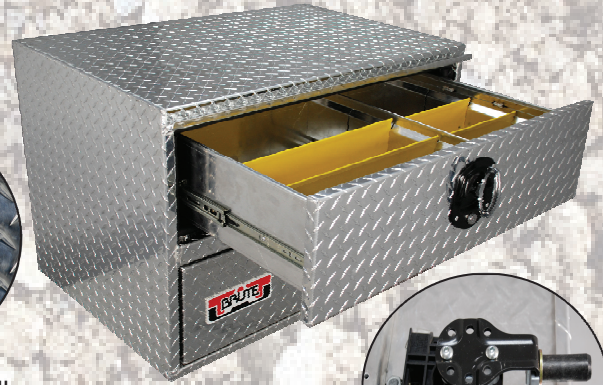
Overhead Rain Gutter



Genuine Trim-Lock Bulb Seal



Compression Handle



Roller Cam Latch



Reinforced Bottom Corners

MAXIMUM CAPACITY

- Top & Bottom Drawers w/ Adjustable Dividers to **Organize** Your Work
- 100 lb Capacity Drawer Slides
- .100 Thick Diamond Tread Aluminum Construction
- .125 Thick Smooth Aluminum Bottom Corner Reinforcement
- .080 Smooth Aluminum Drawer Interiors
- Free Turning Handle When Locked
- STRATTEC High Quality Key Cylinder
- Full HD Aluminum Lock Cover Protection



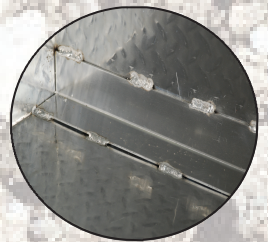
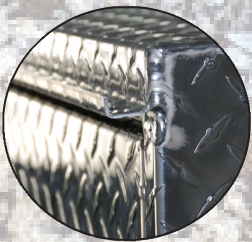
Available in **Black Texture Powdercoat**. Just add **BT** to end of model number

MODEL	SIZE
HDD24	24L/24D/24H
HDD30	30L/24D/24H
HDD36	36L/24D/24H



REAR ANGLED UNDER BODY BOXES

Top Rear Angles are used to avoid the fuel fill tube



Overhead Rain Gutter

Compression Handle

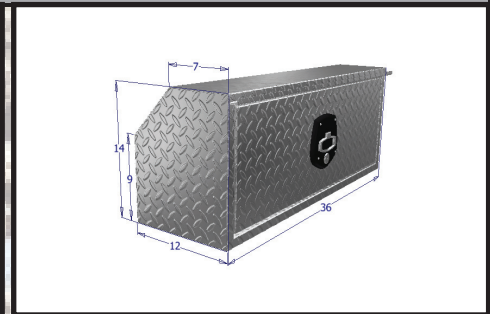
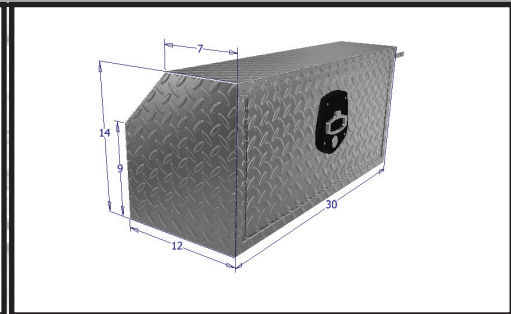
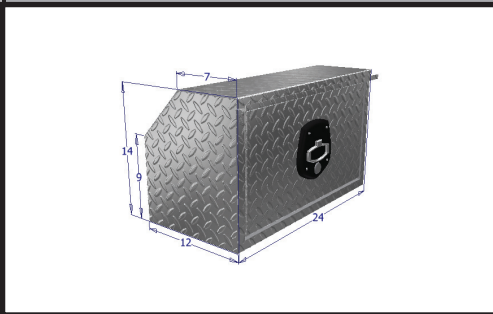
Roller Cam Latch

Genuine Trim-Lock Bulb Seal

Reinforced Bottom Corners

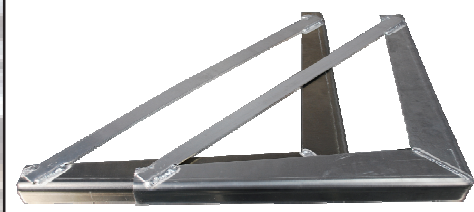
MODEL HUB141224A MODEL HUB141230A MODEL HUB141236A

24L/12D/14H 30L/12W/14H 36L/12D/14H



Available in **Black Texture Powdercoat**. Just add **BT** to end of model number

OPTIONAL .25 ALUMINUM MOUNTING BRACKETS



MODEL	SIZE
HBK18	18" X 18"
HBK24	24" X 24"

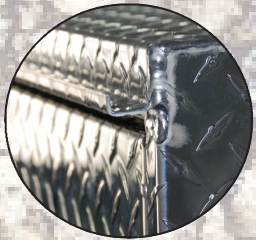
Sold in Pairs



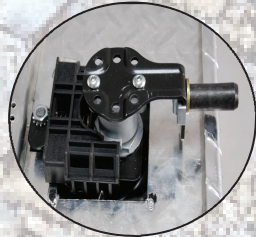
UNDER BODY BOX - DROP DOWN DOOR



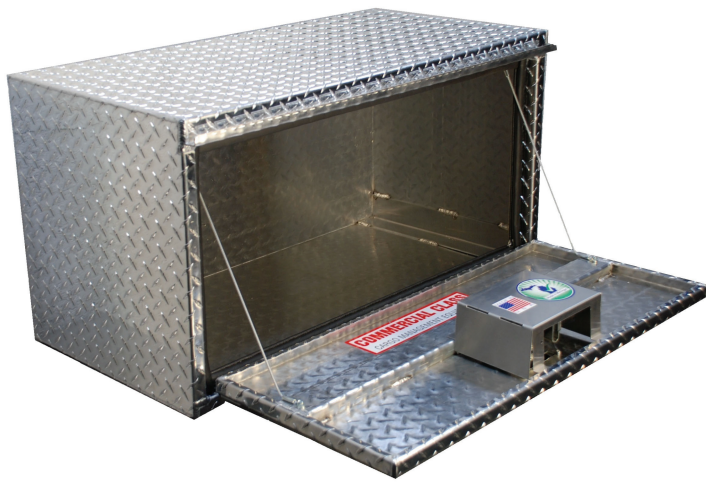
Available in **Black Texture Powdercoat**. Just add **BT** to end of model number



Overhead Rain Gutter



Roller Cam Latch



- .100 Thick Diamond Tread Aluminum Construction
- .125 Thick Smooth Aluminum Bottom Corner Reinforcement
- Welded Gussets in Each Corner of Door Frame
- STRATTEC High Quality Key Cylinder
- Free Turning Handle When Locked
- Full HD Aluminum Lock Cover Protection
- Stainless Steel Support Cables



Compression Handle



Reinforced Bottom Corners



Genuine Trim-Lock Bulb Seal





UNDER BODY BOX – DROP DOWN DOOR

MODEL	LENGTH	DEPTH	HEIGHT
HUB141224	24L	12D	14H
HUB141230	30L	12D	14H
HUB141236	36L	12D	14H
HUB141624	24L	16D	14H
HUB1818	18L	18D	18H
HUB1824	24L	18D	18H
HUB1830	30L	18D	18H
HUB1836	36L	18D	18H
HUB1848	48L	18D	18H
HUB1860	60L	18D	18H
HUB182448	48L	24D	18H
HUB2418	18L	24D	24H
HUB2424	24L	24D	24H
HUB2430	30L	24D	24H
HUB2436	36L	24D	24H
HUB2448	48L	24D	24H
HUB2460	60L	24D	24H
HUB2472	72L	24D	24H

Available in **Black Texture Powdercoat**. Just add **BT** to end of model number

OPTIONAL .25 ALUMINUM MOUNTING BRACKETS



MODEL	SIZE
HBK18	18" X 18"
HBK24	24" X 24"

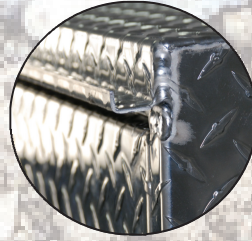
Sold in Pairs



UNDER BODY BOX WITH LEFT SWING DOOR



Compression Handle



Overhead Rain Gutter



Genuine Trim-Lock Bulb Seal



1/4" Stainless Hinge Pin



Reinforced Bottom Corners

- .100 Thick Diamond Tread Aluminum Construction
- .125 Thick Smooth Aluminum Bottom Corner Reinforcement
- Welded Gussets in Each Corner of Door Frame
- STRATTEC High Quality Key Cylinder
- Free Turning Handle When Locked
- Full HD Aluminum Lock Cover Protection
- Stainless Steel Bolted Hinge

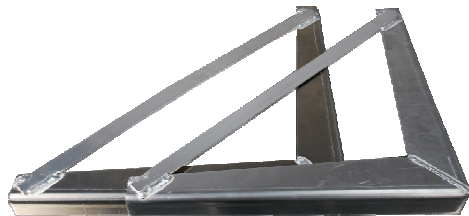


Left Swing Door Shown

MODEL	LENGTH	DEPTH	HEIGHT
HBD1818	18L	18D	18H
HBD1824	18L	18D	24H
HBD1830	18L	18D	30H
HBD2430	24L	24D	30H

Available in **Black Texture Powdercoat**. Just add **BT** to end of model number

OPTIONAL .25 ALUMINUM MOUNTING BRACKETS



MODEL	SIZE
HBK18	18" X 18"
HBK24	24" X 24"

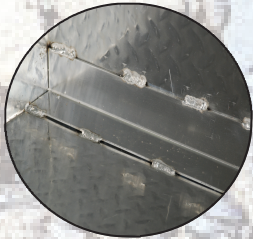
Sold in Pairs



UNDER BODY BOX WITH BARN DOORS



Barn Doors Shown



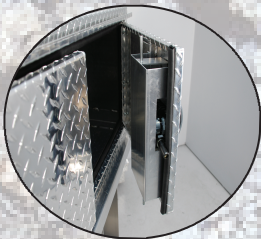
Reinforced Bottom Corners



Compression Handle



Genuine Trim-Lock Bulb Seal



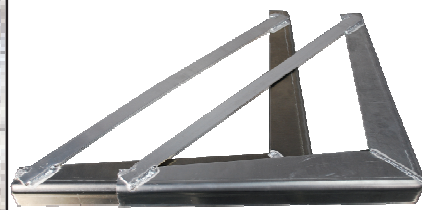
Compression Latch Shown w/ 3 Pt. System

- .100 Thick Diamond Tread Aluminum Construction
- .125 Thick Smooth Aluminum Bottom Corner Reinforcement
- Welded Gussets in Each Corner of Door Frame
- Three Point Latches Standard on 36", 48" & 60" Models
- STRATTEC High Quality Key Cylinder
- Free Turning Handle When Locked
- Full HD Aluminum Lock Cover Protection
- Stainless Steel Bolted Hinge

MODEL	LENGTH	DEPTH	HEIGHT
HBD1836	18L	18D	36H
HBD1848	18L	18D	48H
HBD1860	18L	18D	60H
HBD2436	24L	24D	36H
HBD2448	24L	24D	48H
HBD2460	24L	24D	60H

Available in **Black Texture Powdercoat**. Just add **BT** to end of model number

OPTIONAL .25 ALUMINUM MOUNTING BRACKETS



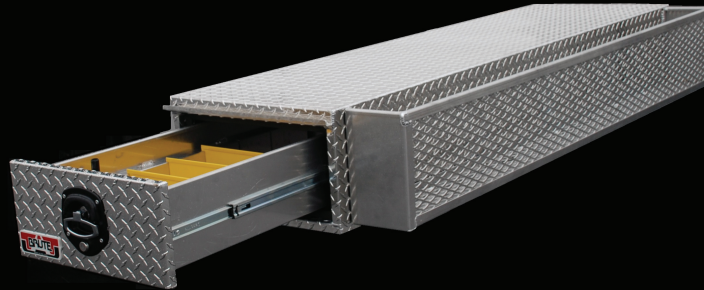
MODEL	SIZE
HBK18	18" X 18"
HBK24	24" X 24"

Sold in Pairs



FLATBEDSAFE BOX

New Design



20"W/12"H/78"L

Model HFB7005

Removable Organizational Dividers

Compression Latch

Reinforced Top for Additional Storage

Built to conform around Headboard

6"W Drainable Mesh Tool Basket

Large Pull Out Drawers
Allow Easy Ground Level Access



FlatbedSafe Box Shown on Miniature Flatbed Display Model

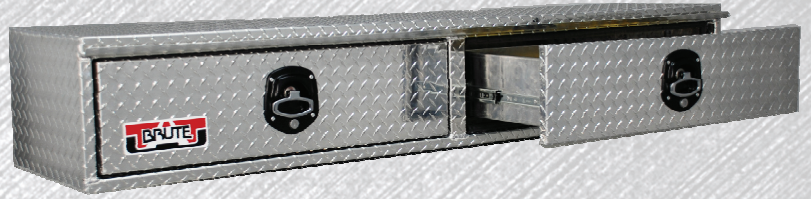




DRAWER FLATBED TOP SIDER



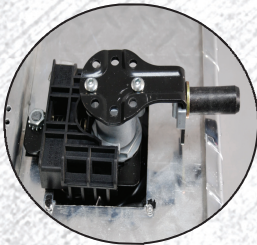
BRUTE HPX Flatbed Package with Drawer Box HTD72 mounted against bulkhead.



BRUTE High Capacity Top Sider w/ flip up door (see page 14) to maximize storage. These two boxes together make a great contractor package.



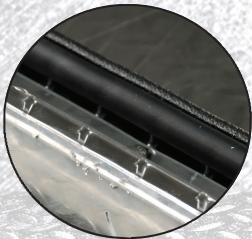
- Free Turning Handle When Locked
- Full Wrap One Piece Body Design
- Full HD Aluminum Lock Cover Protection



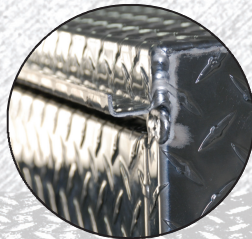
Roller Cam Latch



Compression Handle



Neoprene D Seal



Overhead Rain Gutter

- .100 Thick Diamond Tread Aluminum Construction
- Welded Gussets in Each Corner of Door Frame
- STRATTEC High Quality Key Cylinder
- Drawers w/ Dividers

PRODUCT	SIZE	DRAWERS
HTD48	48L/16D/12H	2
HTD72	72L/16D/12H	2
HTD88	88L/16D/12H	3

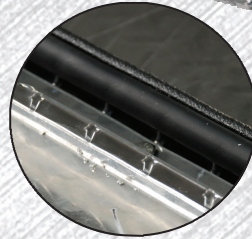
Available in **Black Texture Powdercoat**. Just add **BT** to end of model number



TOP SIDER-HIGH CAPACITY



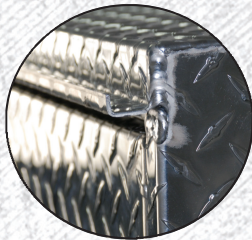
Compression Handle



Genuine Trim-Lock Bulb Seal



Roller Cam Latch



Overhead Rain Gutter

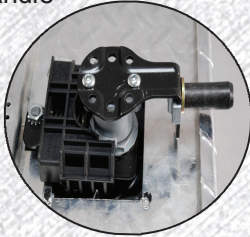
- .100 Thick Diamond Tread Aluminum Construction
- Welded Gussets in Each Corner of Door Frame
- STRATTEC High Quality Key Cylinder
- Gas Shocks to Lift & Hold Door(s), Industry Exclusive
- Free Turning Handle When Locked
- Full Wrap One Piece Body Design
- Full HD Aluminum Lock Cover Protection
- Mounting Hardware Included

MODEL	SIZE
HTB60C	60L/16D/18H
HTB72C	72L/16D/18H
HTB88C	88L/16D/18H
HTB96C	96L/16D/18H

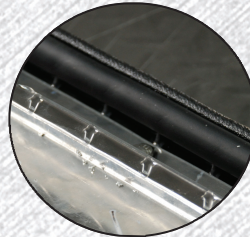
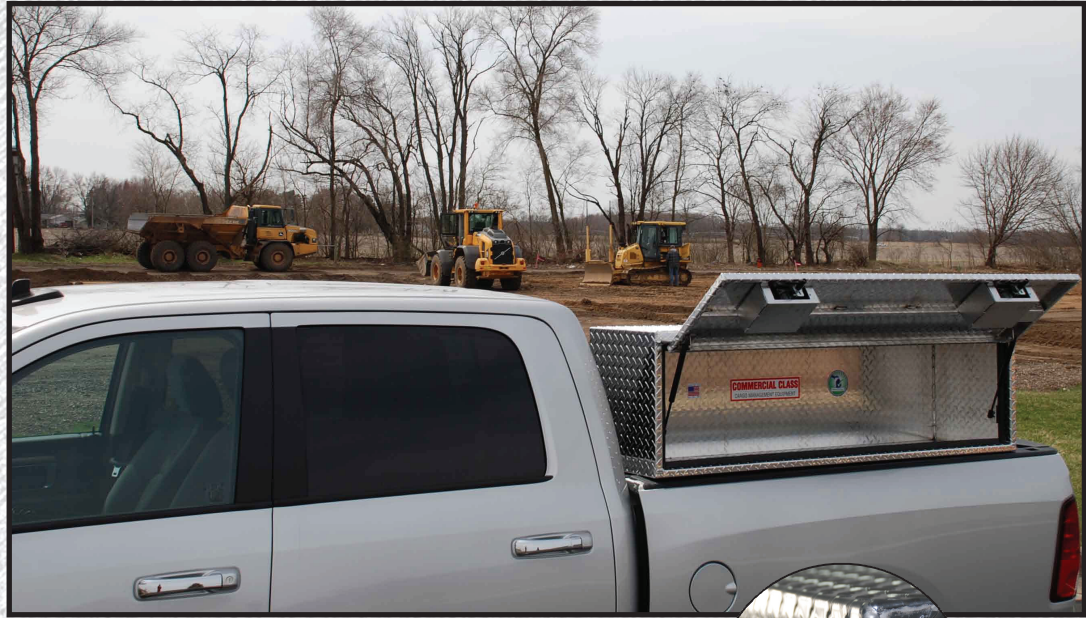
Available in **Black Texture Powdercoat**. Just add **BT** to end of model number



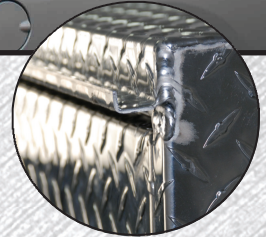
Compression Handle



Roller Cam Latch



Genuine Trim-Lock Bulb Seal



Overhead Rain Gutter

- Free Turning Handle When Locked
- Full Wrap One Piece Body Design
- Full HD Aluminum Lock Cover Protection
- Mounting Hardware Included

- .100 Thick Diamond Tread Aluminum Construction
- Welded Gussets in Each Corner of Door Frame
- STRATTEC High Quality Key Cylinder
- Gas Shocks to Lift & Hold Door(s), Industry Exclusive

MODEL HTB48	MODEL HTB60	MODEL HTB72	MODEL HTB88	MODEL HTB96
48L/13D/16H	60L/13D/16H	72L/13D/16H	88L/13D/16H	96L/13D/16H

Available in **Black Texture Powdercoat**. Just add **BT** to end of model number



Custom Backpack and STD Underbody Installation



HPB8255 and HUB141624 Fleet Install



BACKPACK w/DRAWERS

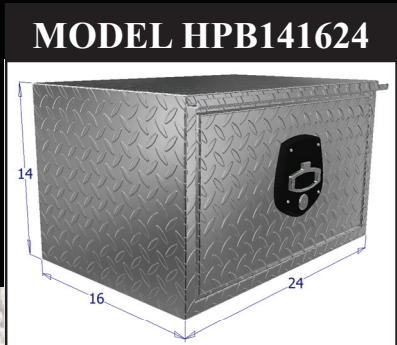
New Design

Model HPB8255BD



55H/82L/24D

WE THINK
INSIDE
THE BOX...



Easily turn this Backpack into an "L" Pack Using HPB141624 Underbodies

Available in **Black Texture Powdercoat**. Just add BT to end of model number

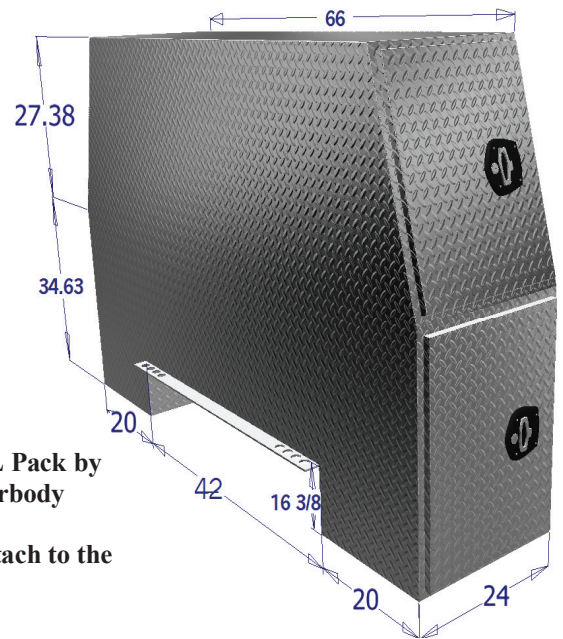
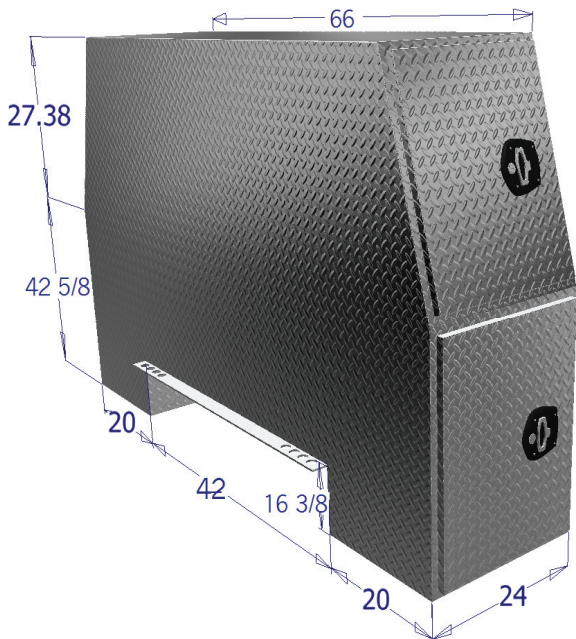


New Sizes

Maximum Backpack Storage

Model HPB8270

Model HPB8262



Turn the Back Pack into an L Pack by Adding Any 18H x 18D Underbody

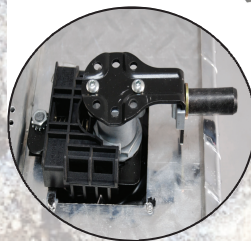
Includes a mounting kit to attach to the Back Pack



Compression Handle



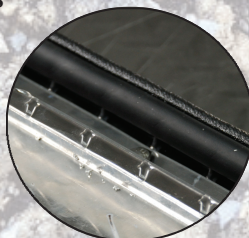
- .100/.125 Thick Aluminum Body
- .190 Thick Smooth Aluminum Floor
- .375 Thick Pre-punched Mounting Angle
- Rain Gutter Door Openings To Channel Water
- Trim Lock Bulb Seal On All Doors
- 4 Folding J Hooks—Driver Side



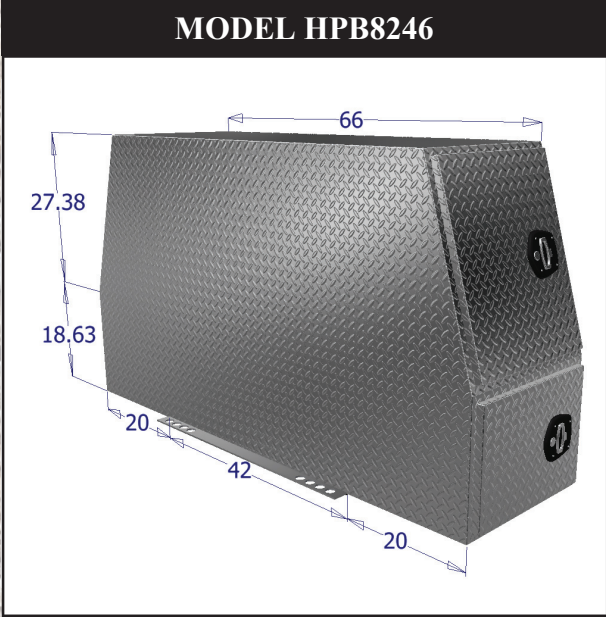
Roller Cam Latch



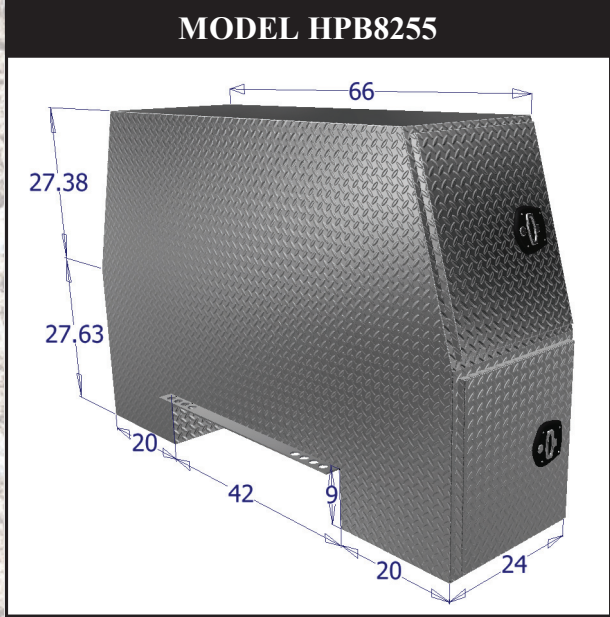
Includes U Bolt Mounting Kit



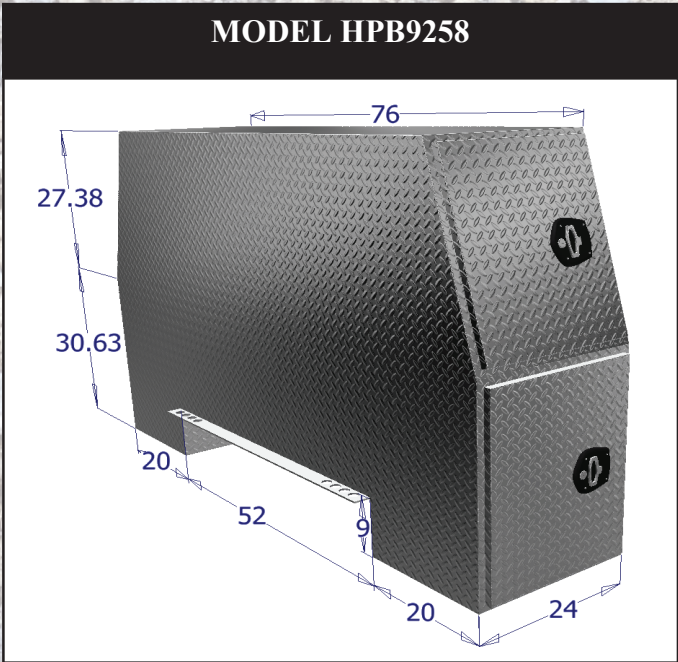
Genuine Trim-Lock Bulb Seal



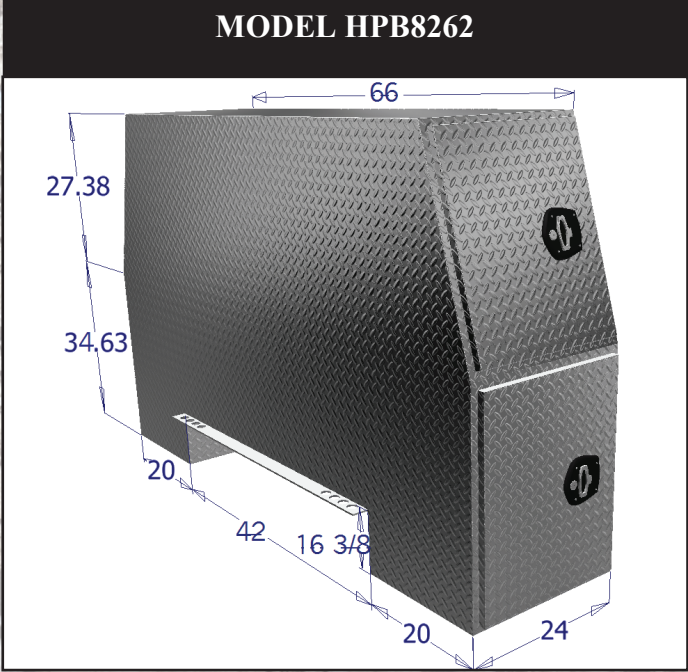
1 Fixed Shelf (.125 Thick Smooth Aluminum)
Available in **Black Texture Powdercoat**. Just add **BT** to end of model number



2 Fixed Shelves (.125 Thick Smooth Aluminum)
Available in **Black Texture Powdercoat**. Just add **BT** to end of model number



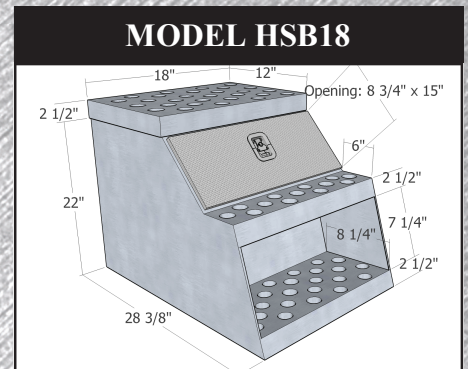
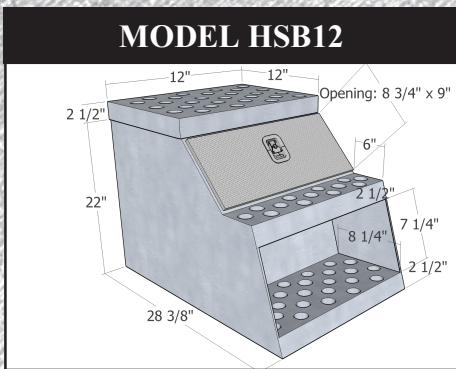
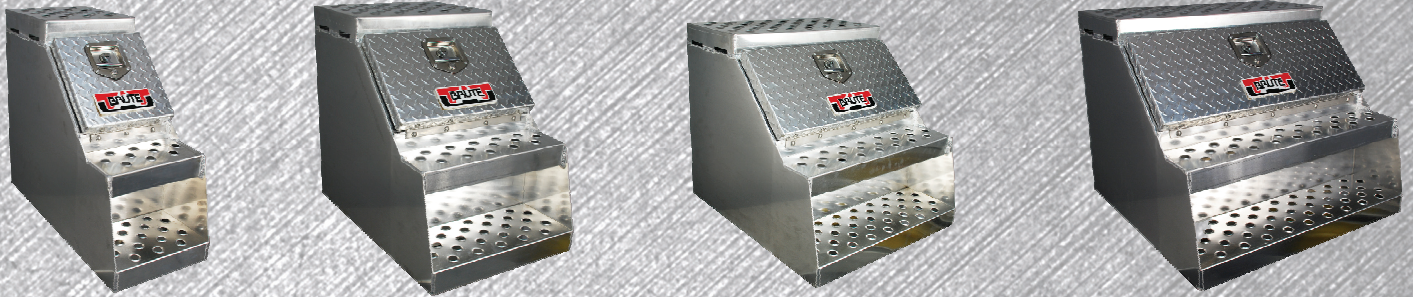
2 Fixed Shelves (.125 Thick Smooth Aluminum)



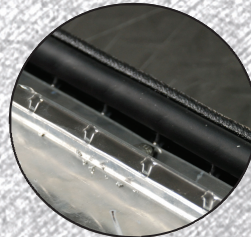
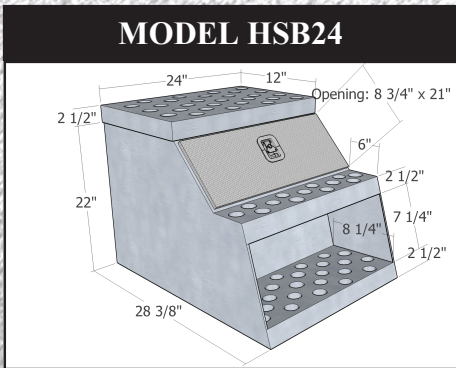
2 Fixed Shelves (.125 Thick Smooth Aluminum)



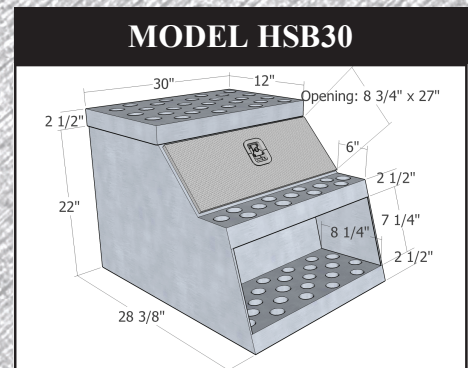
STEP BOXES



Folding / Locking T Handle



Genuine Trim-Lock Bulb Seal



- .125 Thick Smooth Aluminum Body
- .100 Thick Aluminum Diamond Tread Door
- .080 Thick Perforated Aluminum Steps
- Angle Reinforced Back Corners Assist In Mounting
- Center Reinforced Top Step
- Welded Aluminum Construction
- Gusseted Door Openings
- Mount to Virtually Any Semi Tractor Chassis
- Integrated Tool Box Cavity
- Stainless Steel Locking Handle



PICKUP TRUCK FLATBEDS

See our BRUTE Flatbed Brochure for Applications





BEDSAFE

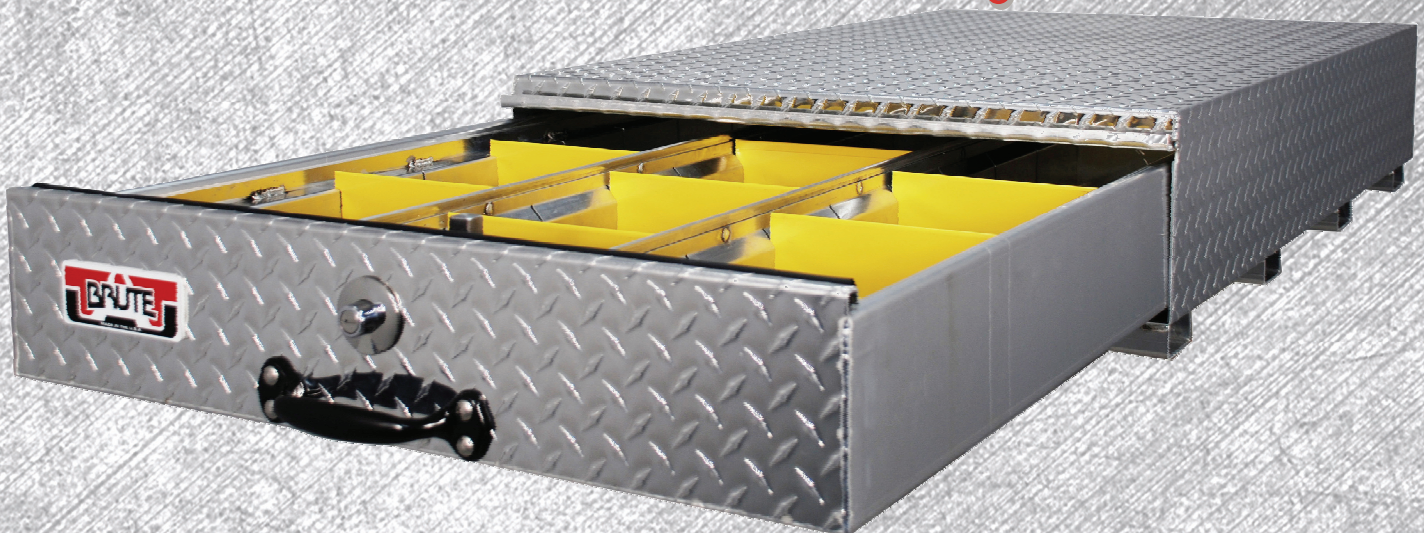
BRUTE BedSafe™

All Aluminum Heavy Duty Roller Drawer Box

Fits the beds of pickups, service bodies, and vans alike.



50% Lighter Than Steel

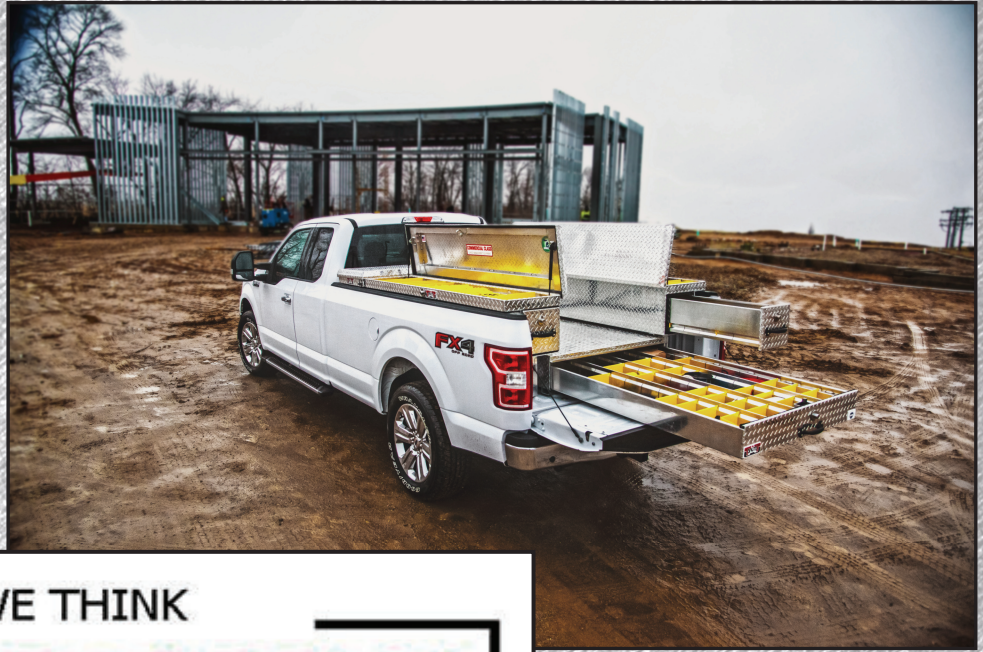


- .100" Thick Aluminum Diamond Tread Case, Reinforced
- .125" Thick Smooth Mill Finish Drawer
- Aluminum Moveable Dividers
- Single Touch Safety Plunger Latch
- Stainless Steel Push Button Lock
- Overhead Rain Gutter
- 3/16" Thick Bottom Reinforcement Channels
- Weather Resistant
- 500 Lbs. Top & Side Load Capacity (evenly distributed)
- 350 Lbs. Drawer Capacity (evenly distributed)
- Plus Nut Mounting



BEDSAFE

AVAILABLE
IN 9 SIZES



WE THINK
INSIDE
THE BOX...

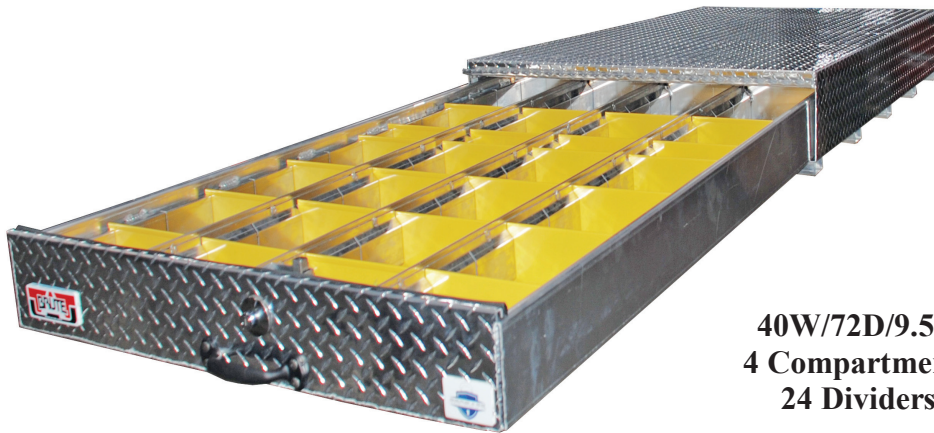


Here Shown BEDSAFE boxes
Installed with BRUTE Folding
Shelves in Commercial Van

See BRUTE Commercial Shelf
Brochure for Applications

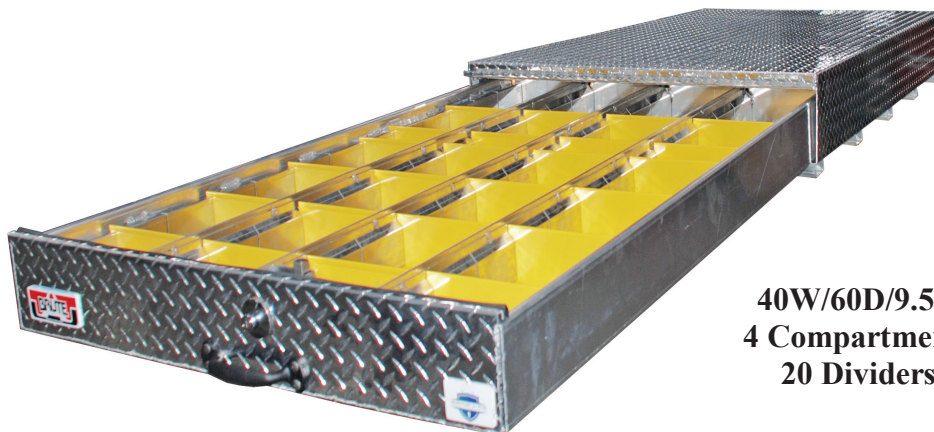


LONG MODEL HBS340



**40W/72D/9.5H
4 Compartments
24 Dividers**

LONG MODEL HBS341



**40W/60D/9.5H
4 Compartments
20 Dividers**



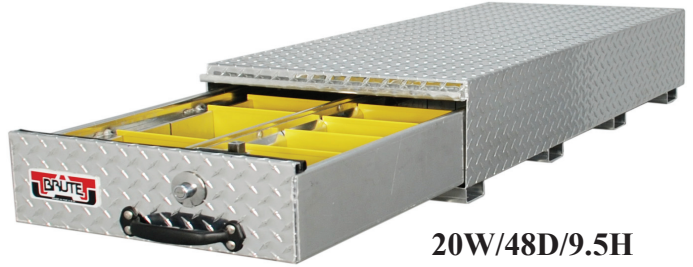
BEDSAFE

MODEL HBS305



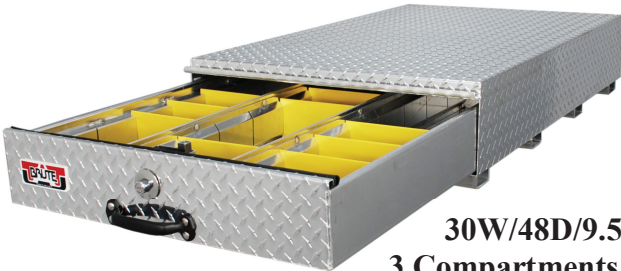
**10W/48D//9.5H
1 Compartment
4 Dividers**

MODEL HBS306



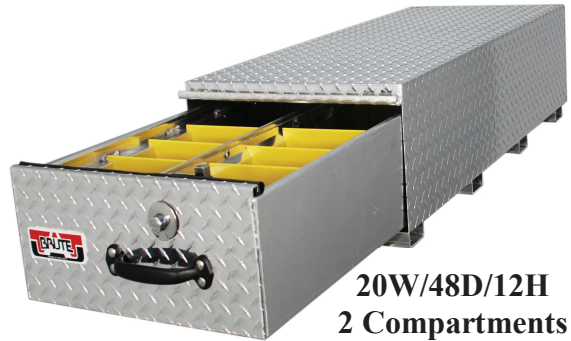
**20W/48D/9.5H
2 Compartments
10 Dividers**

MODEL HBS307



**30W/48D/9.5H
3 Compartments
12 Dividers**

MODEL HBS336



**20W/48D/12H
2 Compartments
10 Dividers**

MODEL HBS312



**30W/24D/9.5H
3 Compartments
9 Dividers**

MODEL HBS338



**40W/48D/12H
4 Compartments
16 Dividers**

MODEL HBS308



**40W/48D/9.5H
4 Compartments
16 Dividers**



BRUTE Underbody Countertop Display Model



BRUTE Show Room Tool Box Display Racks



BRUTE Authorized Dealer Window Decal



BRUTE Vinyl Wall Banners - Inside or Outside Use

BE SURE TO ASK FOR OUR BRUTE COMMERCIAL CLASS CATALOG, BRUTE COMMERCIAL SHELVING BROCHURE, AND BRUTE FLATBED BROCHURE

