



CONSUMER CLASS

STANDARD DUTY TRUCK TOOL BOXES

2017 CATALOG



MADE IN AMERICA

Table of Contents

Tote Boxes	3
Cross Over Full Size Boxes	4-5
Cross Over Down Size Boxes	6-7
Cross Over Deep Full Size Boxes	8
Utility Chest Boxes	9
Top Sider Slanted Profile Boxes	10
Top Sider Std. Profile Boxes	11
Side Boxes Low Boxes	12
Fifth Wheel Tailgate Boxes	13
Under Body Boxes	14-15
Trailer Tongue Boxes	14-15

Replacement Parts

Plastic Tray



TRAYS

TBT306501	Black crossover tray
-----------	----------------------

Assorted Shocks



SHOCKS

GS1	40 lb. 17" 6 mm rod
GS8-50	50 lb. 12" 8 mm rod
GS8-40	40 lb. 12" 8 mm rod
GS8-30	30 lb. 12" 8 mm rod
GS8-20	20 lb. 12" 8 mm rod

Locking & Non-Locking Paddles



Folding "T"



Tote & Grab



Chest



HANDLES

PL14	Stainless steel locking paddle handle (CH501-512 keys)
PL15	Stainless steel non-locking paddle handle
PL16	Stainless Steel locking T-handle (CH545 keys)
TH3601	Dog box Door T-handle set of left & right (B01-10 keys)
KEYS	By Request
CH1	3 1/2" zinc chest handle
CH2	5 3/4" zinc grab handle (Tote handle)
CH3	7" die cast chrome grab handle (Pet Box handle)

TOTE SERIES



PORTABLE TOOL BOX - IDEAL FOR SMALL HAND TOOLS AND INSTRUMENTS

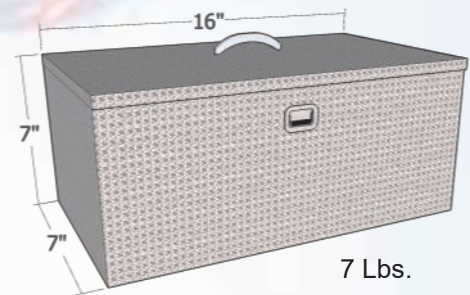
ADD "B" TO THE END OF THE PART NUMBER TO INDICATE BLACK POWDER COATING

MODEL TOTE-16

Features

Dimensions 16"L x 7"H x 7"W
Diamond Plate Construction
Locking Paddle Handle
Top Grab Handle
Full Neoprene Seal

Black Powder Coat Available Add "B" To end of part number

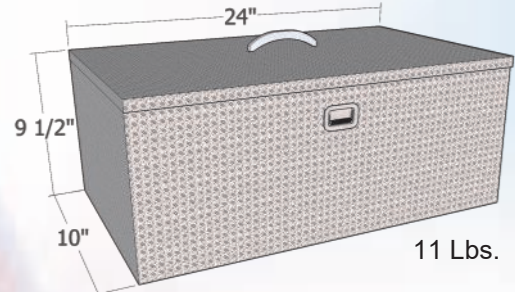


MODEL TOTE-24

Features

Dimensions 24"L x 9 1/2"H x 10"W
Diamond Plate Construction
Locking Paddle Handle
Top Grab Handle
Full Neoprene Seal

Black Powder Coat Available Add "B" To end of part number

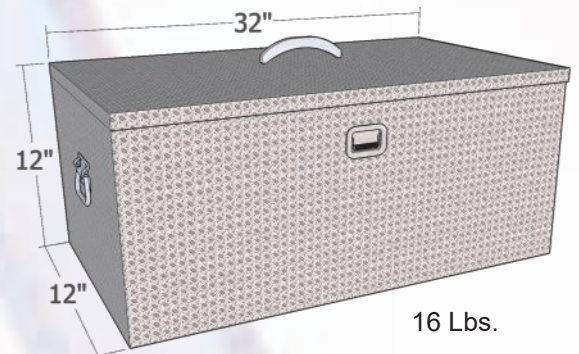


MODEL TOTE-32

Features

Dimensions 32"L x 12"H x 12"W
Diamond Plate Construction
Locking Paddle Handle
Top Grab Handle
2 Side Chest Handles
Full Neoprene Seal

Black Powder Coat Available Add "B" To end of part number



FULL SIZE CROSSOVER BOX



- Aluminum Diamond Tread Construction
- Matches Cab Angle
- Locking Stainless Steel Paddle Handles
- “DSW” **D**omed **S**tructural **W**elded Lid
- Integrated Hand Tool Holders
- HD 40 Lbs. Gas Shocks for Lid
- Self Opening Design



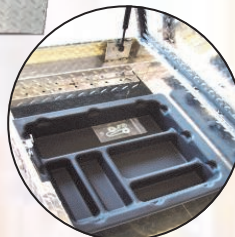
“FL” Full Lid



“GW” Gull Wing



“LP” Low Profile



- Full Neoprene Lid Seal
- Pre-punched “J” Hook Installation
- Made in the U.S.A.
- Integrated Side Trays
- Durable Plastic Tray

FULL SIZE CROSSOVER BOX

FL = FULL LID

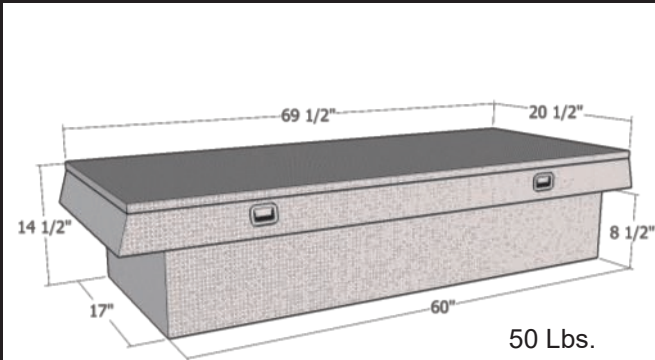
GW = GULL WING LID

LP = LOW PROFILE LID

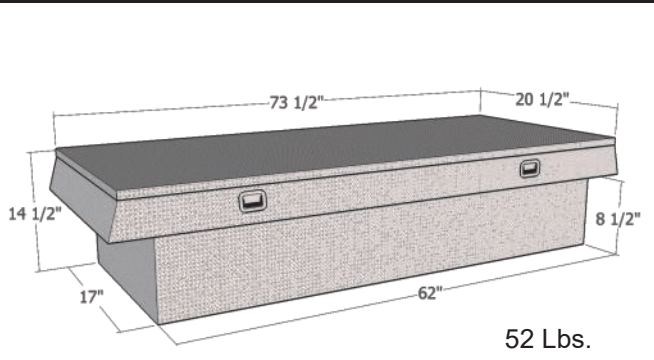
ALWAYS MEASURE TRUCK TO VERIFY FIT BEFORE ORDERING

ADD "B" TO THE END OF THE PART NUMBER TO INDICATE BLACK POWDER COATING

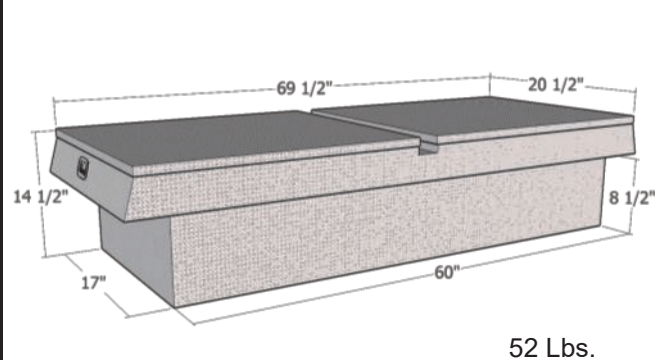
MODEL TB600FL



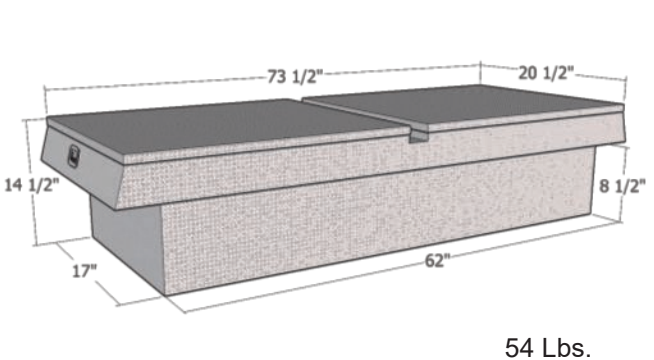
MODEL TB605FL



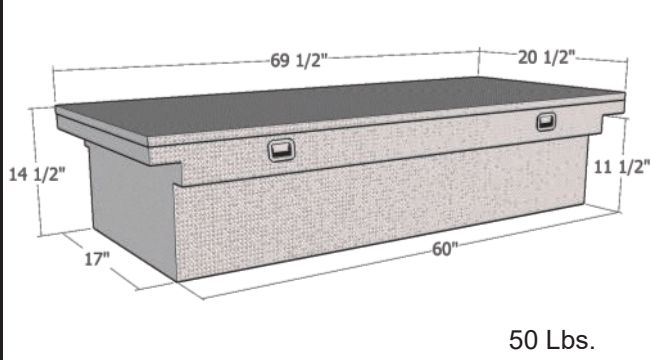
MODEL TB600GW



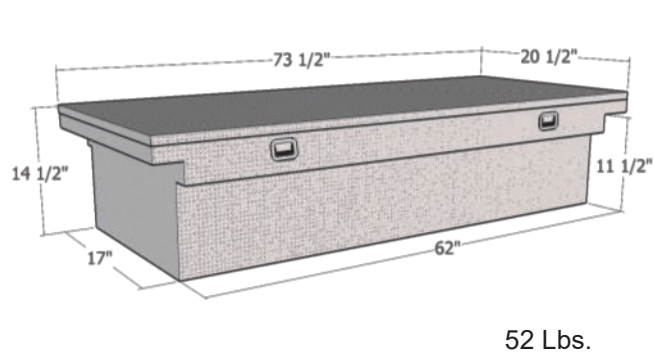
MODEL TB605GW



MODEL TB600LP



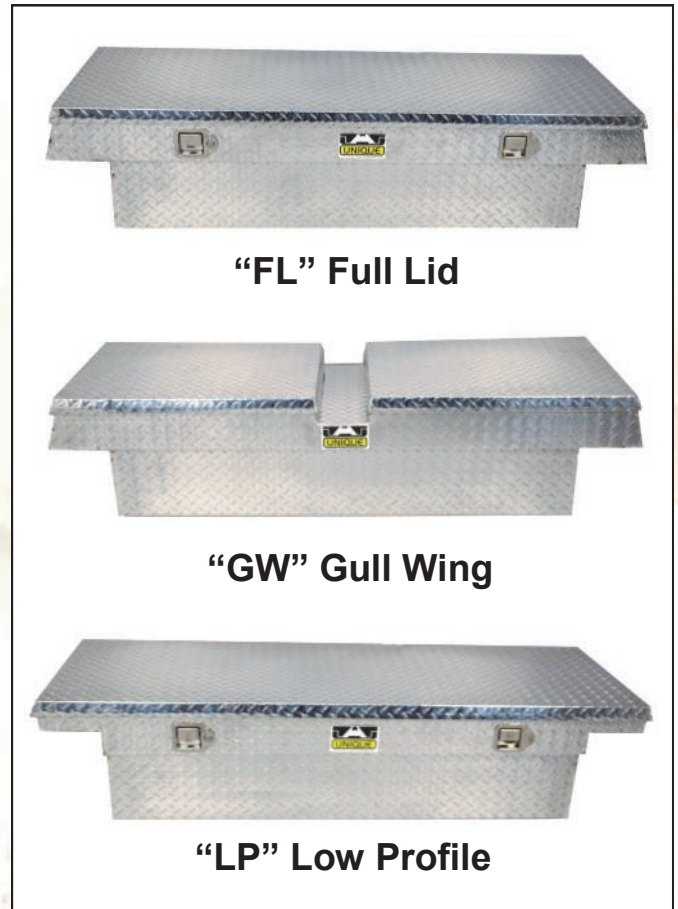
MODEL TB605LP



DOWN SIZE CROSSOVER BOX



- Aluminum Diamond Tread Construction
- Matches Cab Angle
- Locking Stainless Steel Paddle Handles
- “DSW” **D**omed **S**tructural **W**elded Lid
- Integrated Hand Tool Holders
- HD 40 Lbs. Gas Shocks for Lid
- Self Opening Lid



- Full Neoprene Lid Seal
- Pre-punched “J” Hook Installation
- Made in the U.S.A.
- Integrated Side Trays
- Durable Plastic Tray
- 695 Series Notched for Super Short Beds



DOWN SIZE CROSSOVER BOX

FL = FULL LID

GW = GULL WING LID

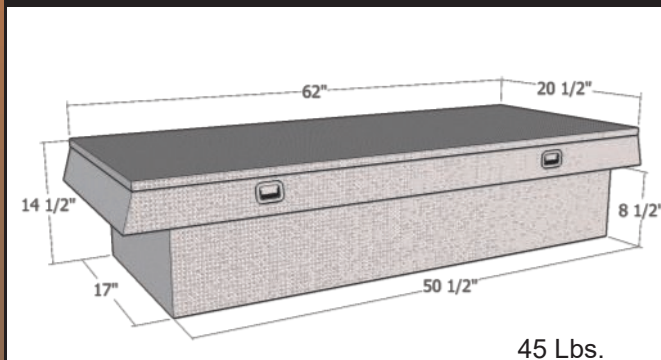
LP = LOW PROFILE LID

Call For Details on Flareside, SportSide, and Splash Models

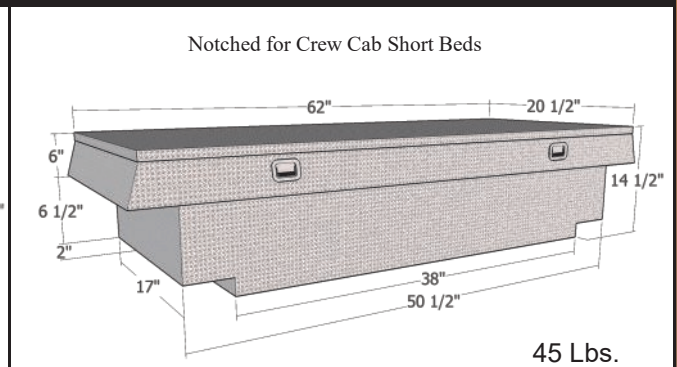
ALWAYS MEASURE TRUCK TO VERIFY FIT BEFORE ORDERING

ADD "B" TO THE END OF THE PART NUMBER TO INDICATE BLACK POWDER COATING

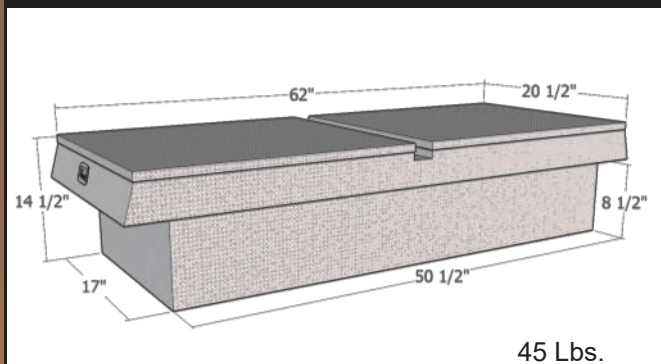
MODEL TB690FL



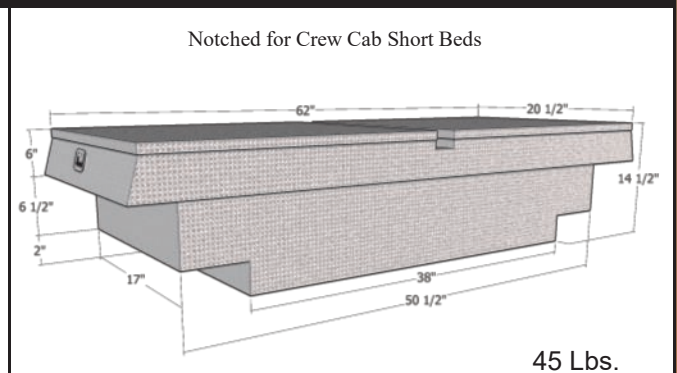
MODEL TB695FL



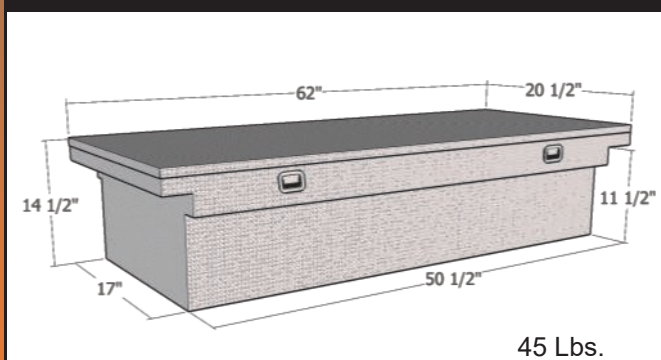
MODEL TB690GW



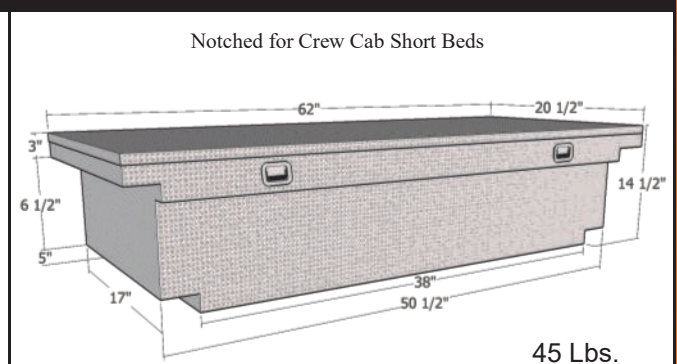
MODEL TB695GW



MODEL TB690LP



MODEL TB695LP

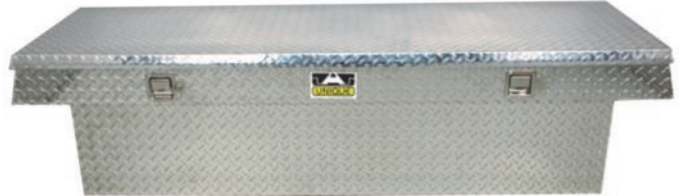


DEEP FULL SIZE CROSSOVER BOX



- Aluminum Diamond Tread Construction
- Matches Cab Angle
- Locking Stainless Steel Paddle Handles
- Integrated Tool Holders
- “DSW” **D**omed **S**tructural **W**elded Lid

- HD 40 Lbs. Gas Shocks for Lid
- Self Opening Lid
- Durable Plastic Tray
- Full Neoprene Lid Seal
- Pre-punched “J” Hook Installation
- Made in the U.S.A.

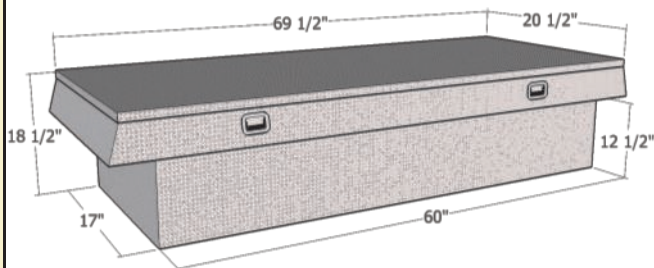


“FL” Full Lid



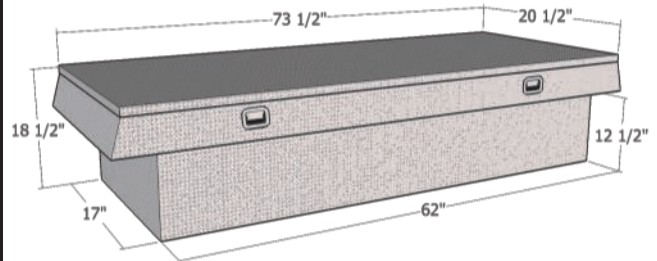
“GW” Gull Wing

MODEL TB700FL



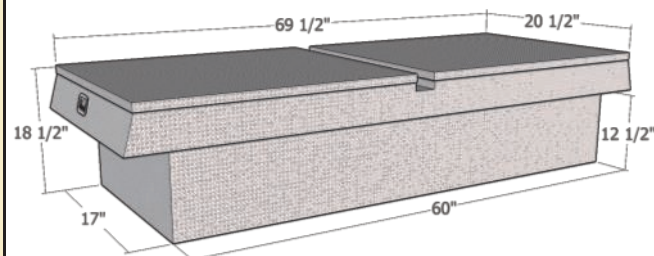
57 Lbs.

MODEL TB705FL



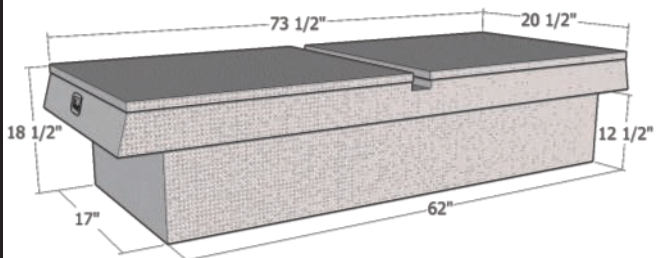
69 Lbs.

MODEL TB700GW



57 Lbs.

MODEL TB705GW

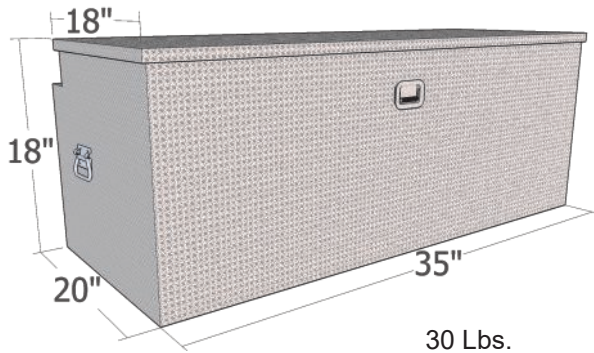


69 Lbs.

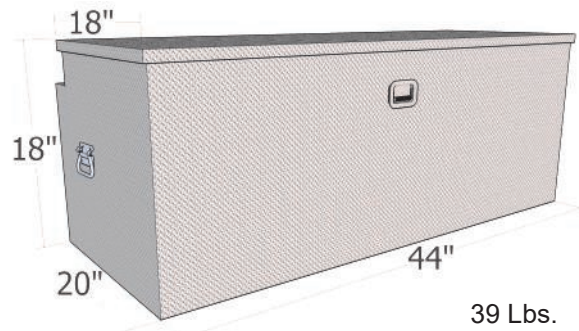
UTILITY CHESTS



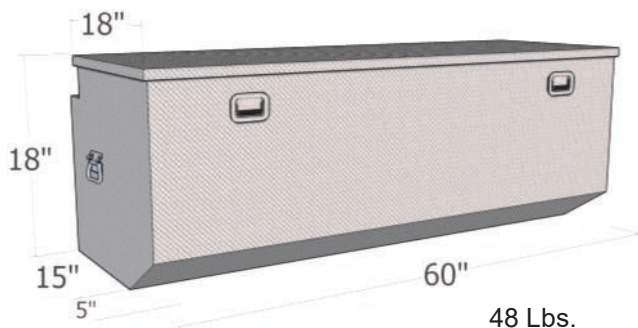
MODEL TB435



MODEL TB444



MODEL TB461



- **Sturdy Aluminum Construction**
- **Variety of Uses**
- **2 Heavy Duty Gas Shocks**
- **Neoprene Lid Seal**
- **Stainless Steel Locking Paddle Handles**
- **Chest Carrying Handles**
- **Wide Opening Lid w/ Offset Rear**
- **Model for Mini, Midi, or Full Size Trucks**
- **Made in the U.S.A.**

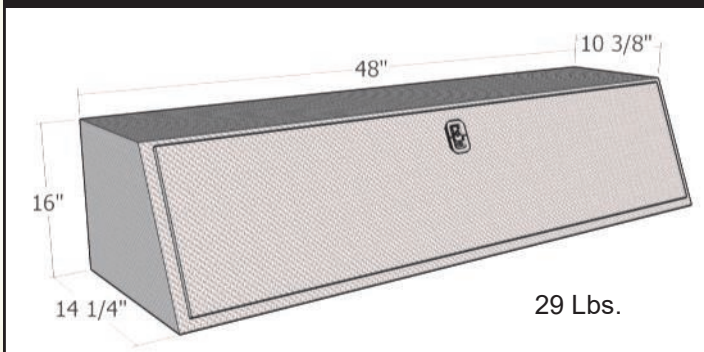
ADD "B" TO THE END OF THE PART NUMBER TO INDICATE BLACK POWDER COATING

Slanted TopSider Box

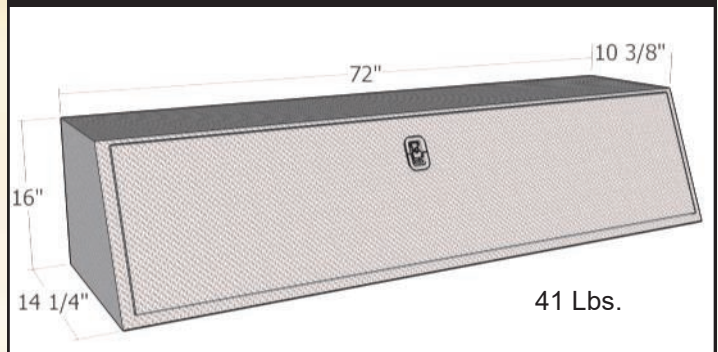


- Angled Design Matches Cab
- Drop Down Doors
- Rain Gutter Door Opening
- Aluminum Leg Supports Incl.
- Cable Door Supports

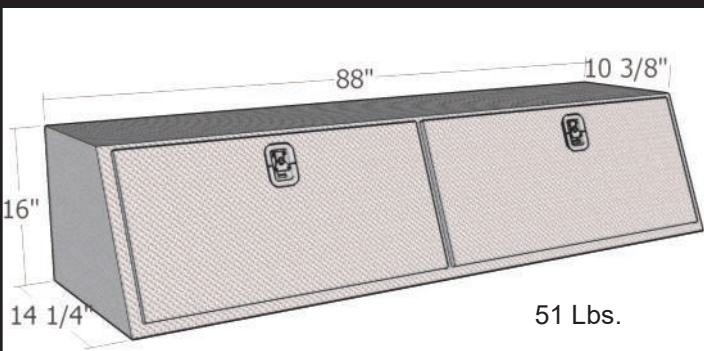
MODEL TBS100-48



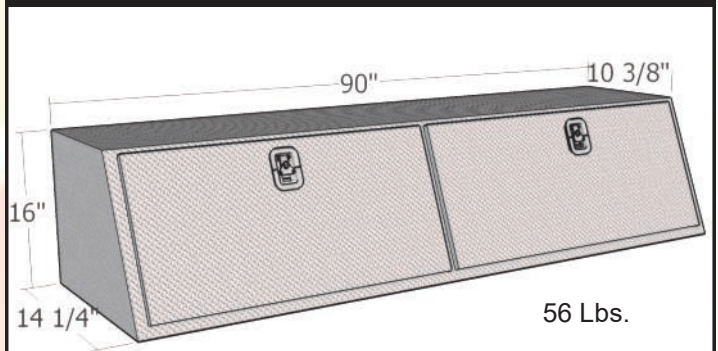
MODEL TBS100-72



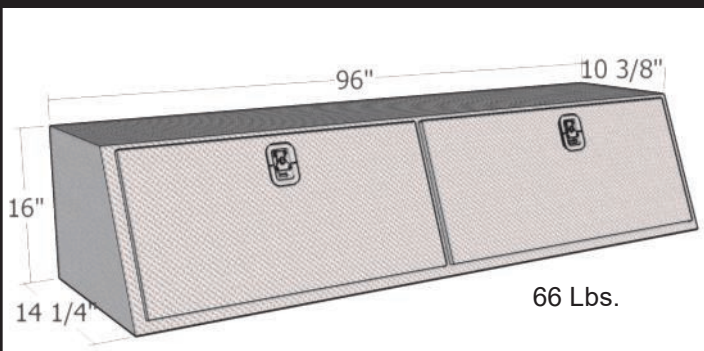
MODEL TBS100-88D



MODEL TBS100-90D



MODEL TBS100-96D



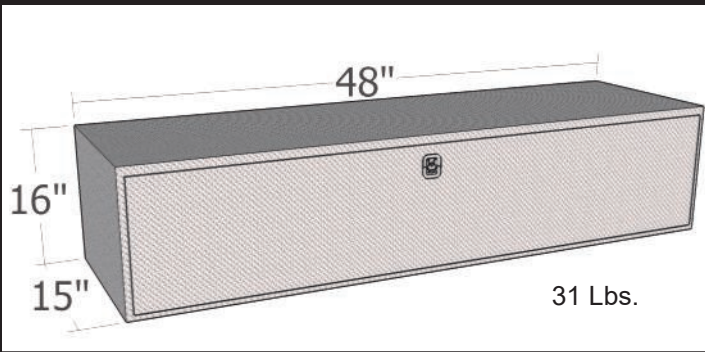
- Full Neoprene Seals
- Stainless Folding Locking T Handles
- Aluminum Diamond Tread Construction
- Five Lengths

Standard TopSider Box

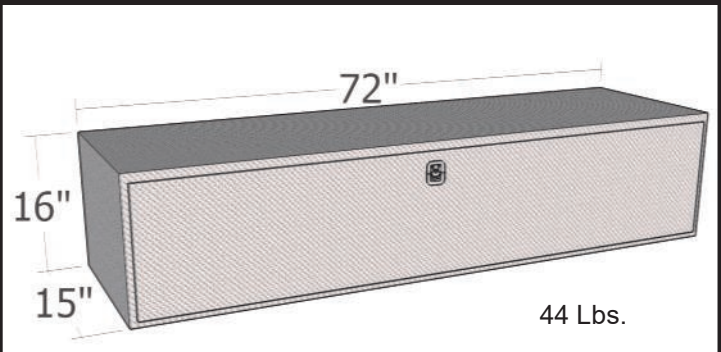


- Drop Down Doors
- Cable Supports
- High Capacity Square Profile
- Rain Gutter Door Opening
- Aluminum Leg Supports Included

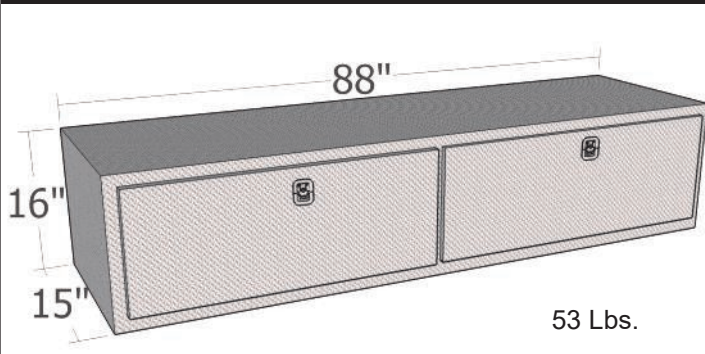
MODEL TB100-48



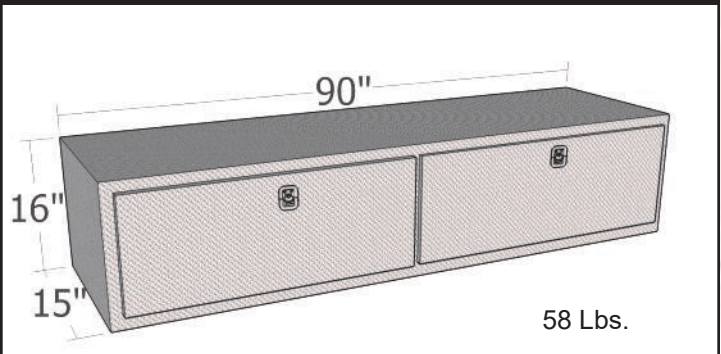
MODEL TB100-72



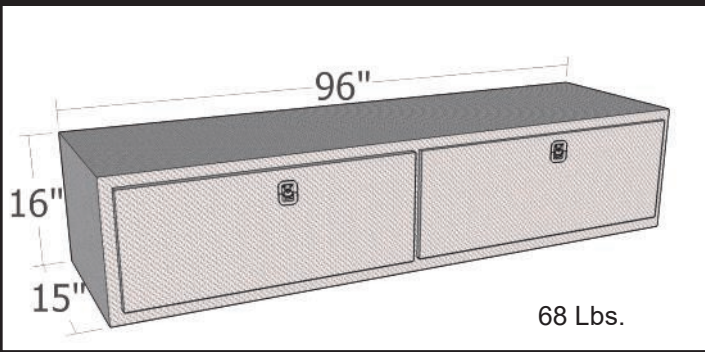
MODEL TB100-88D



MODEL TB100-90D



MODEL TB100-96D



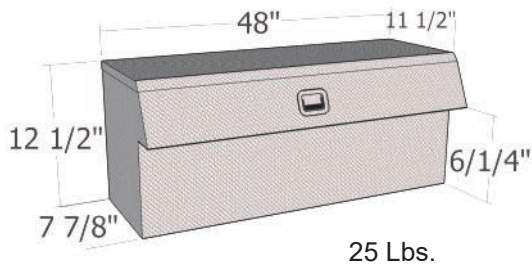
- Stainless Folding Locking T Handles
- All Aluminum Diamond Tread Construction
- Full Neoprene Door Seal
- Five Lengths

ADD "B" TO THE END OF THE PART NUMBER TO INDICATE BLACK POWDER COATING

Side Box

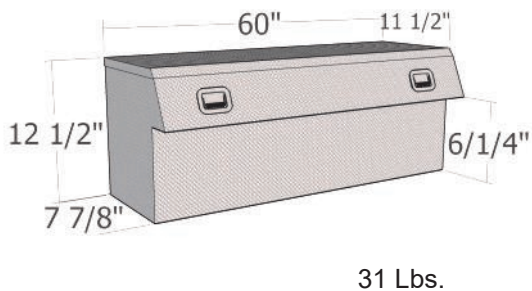


MODEL TB300-48

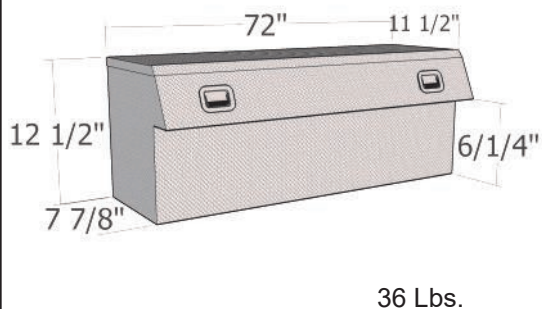


- Angled to Match Truck Cab
- Stainless Locking Paddle Handles
- 2 Gas Shocks to Support Lid
- Self Opening Lid
- "J" Hook Mounting Design
- Aluminum Support Legs Included
- Use Alone or Combo w/ Cross-Over Box
- Sleek Design
- Access Either End w/ One Pull
- **"DSW"** Domed **S**tructural **W**elded Lid

MODEL TB300-60



MODEL TB300-72

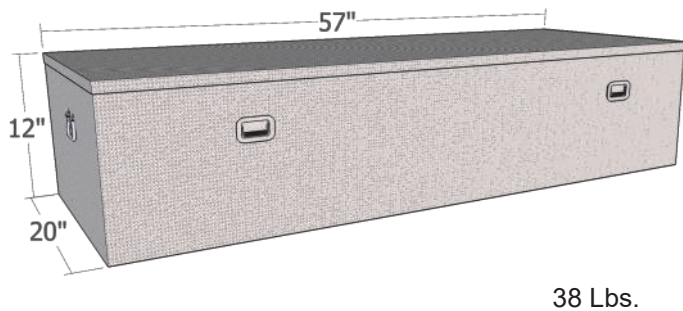


Fifth Wheel Tailgate Box



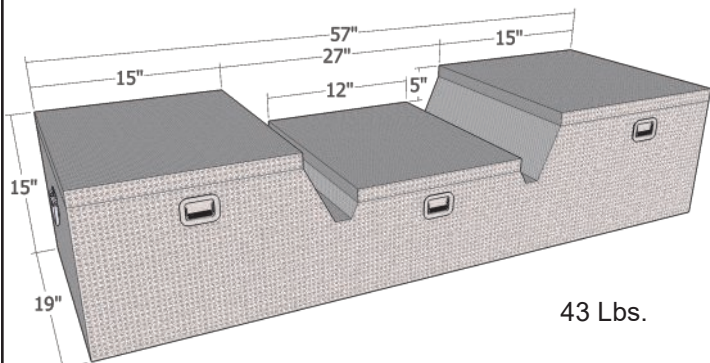
ADD "B" TO THE END OF THE PART NUMBER TO INDICATE BLACK POWDER COATING

MODEL TB200-57



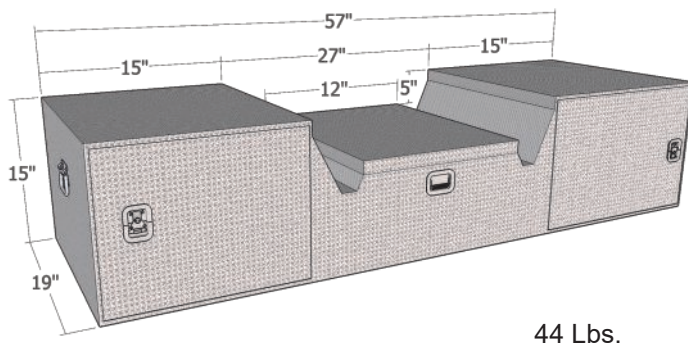
- Chest Style
- One Large Compartment
- Dual Gas Shocks
- Self Opening Lid
- Clearance for 5th Wheel Hookup
- Full Neoprene Weather Seal
- Stainless Steel Locking Handles
- "DSW" **D**omed **S**tructural **W**elded Lid

MODEL TB203-57



- "V" Shape
- Clearance for 5th Wheel Hookup
- 3 Top Lids
- Gas Shocks
- Stainless Locking Handles
- Keyed Alike
- Full Neoprene Weather Seals
- 3 Individual Compartments

MODEL TB203-57-RD



- "V" Shape
- 2 Rear Opening Doors for Easy Access When Hitched
- 1 Top Opening Door w/ Gas Shock
- 3 Individual Compartments
- 1 Stainless Locking Paddle Handle
- 2 Folding Locking T Handles
- Not Keyed Alike
- Full Rubber Seals

UnderBody Box



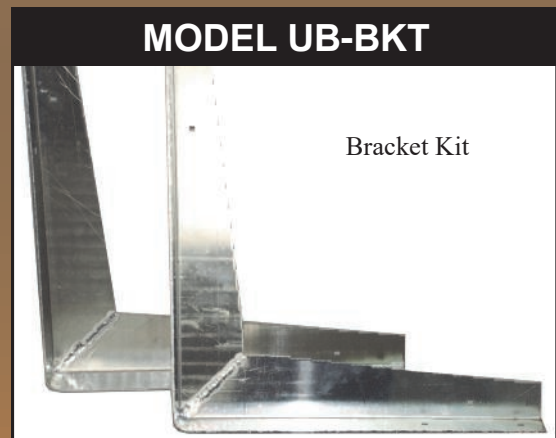
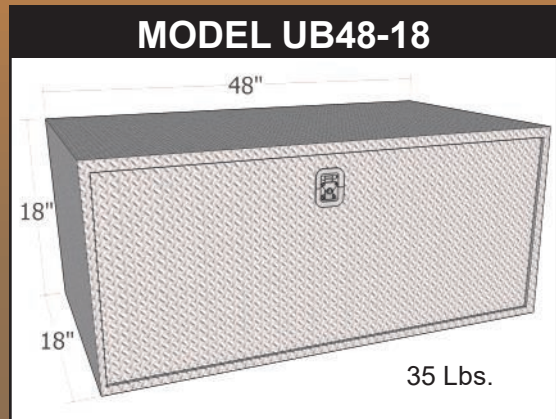
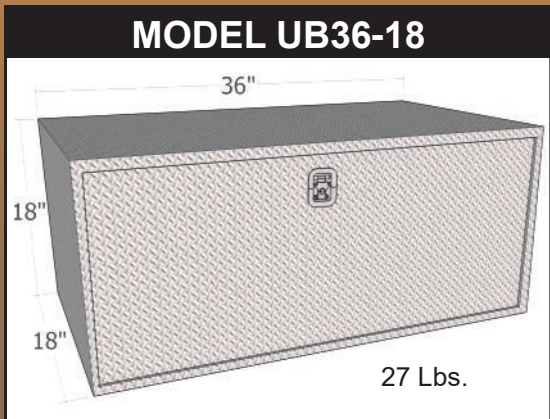
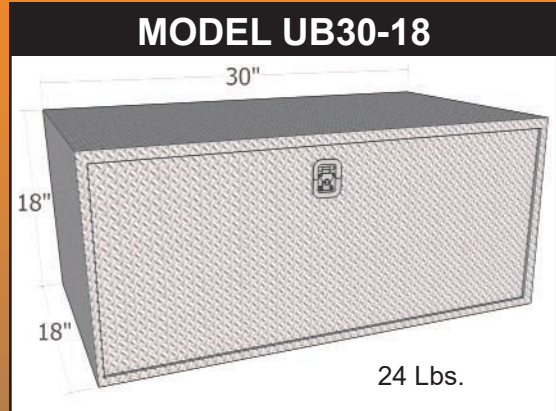
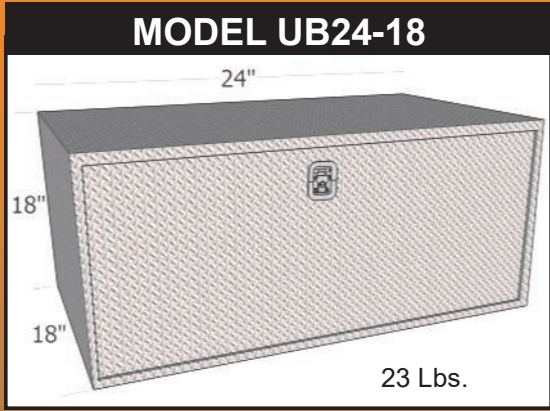
- Drop Down Doors
- Cable Supports
- High Capacity Square Profile
- Rain Gutter Door Opening
- Designed to be Mounted Under a Flat Bed
- Durable Aluminum Construction
- Full Neoprene Automotive Grade Seal
- Stainless Folding Locking "T" Handle

Trailer Tongue Box

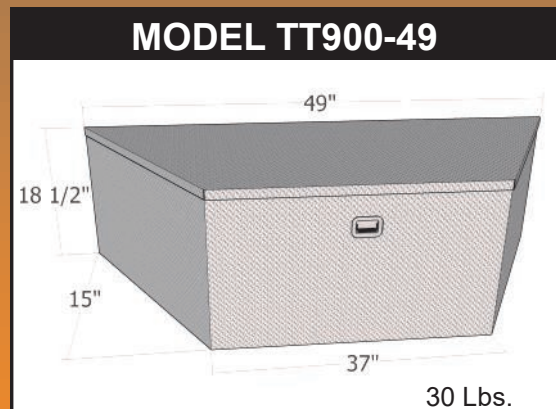
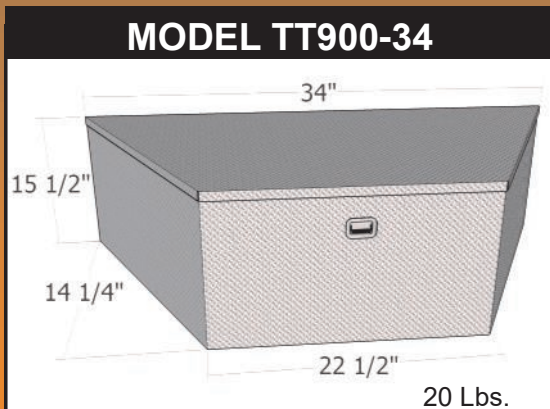


- Stainless Locking Paddle Handle
- Lid Strut for Added Strength
- Opens to 90°
- Reinforced Lid
- Designed for Trailer A Frame Mount
- Durable Aluminum Construction
- Full Neoprene Automotive Grade Seal
- Storage of Jacks / Straps / Tire Iron

Under Body Dimensions



Trailer Tongue Dimensions



ADD "B" TO THE END OF THE PART NUMBER TO INDICATE BLACK POWDER COATING