

2016 CATALOG

COMMERCIAL DUTY TRUCK TOOLBOXES

BRUTE
COMMERCIAL CLASSES
CARGO MANAGEMENT EQUIPMENT

WE THINK
INSIDE
THE BOX...





Table of Contents

BRUTE is a world class brand of commercial cargo management equipment manufactured exclusively for professional contractors. Many years of manufacturing and design experience accompany this brand. BRUTE is manufactured at our plant in Sturgis, Michigan by Unique Truck Accessories. We have a strong reputation for high quality consumer class aluminum tool boxes, commercial class cargo management equipment, and heavy truck class cargo control equipment.

The BRUTE series of cargo management equipment was developed for the professional who requires top notch and detailed quality to house their valuable job equipment. This brand was designed and built to withstand weather, security issues, and harsh use by professional contractors. We have integrated industrial latches, reinforced floors, hardware shields, and adjustable organizational apparatus. Our drawer units are among the first in the industry and the only drawers available in "topsiders" and "underbody" boxes.

Brute is not just another tool box company...It's the leader in new ideas and production of CARGO MANAGEMENT EQUIPMENT FOR TRUCKS! It is our mission to build the equipment required by the ever changing commercial contractor market. If you have ideas for your fleets and are looking for the company to work with you to meet your true needs, CONTACT BRUTE!



Goose Neck / Trailer Tongue Box	3
Full Lid CrossOver	4-5
Gull Wing Lid CrossOver	6-7
Low Profile CrossOver	8
Low Profile LoSider Side Rail Box	9
LoSider Side Rail Box	10
Pork Chop / JobSite Box	11
HC Stake Bed Contractor w/ Drawers	12
HC Stake Bed Contractor w/ Doors	13
TopSider Contractor w/ Drawers	14
TopSider Contractor w/ Doors	15
Chest Box	16
Maximus Chest Box / Conduit Carrier	17
Under Body w/ Drawer	18-19

Black Powder Coat Available—Add "B" to the end of the part number

BE SURE TO ASK FOR OUR NEW FLATBED & BRUTE HD CATALOGS.

NEW IMPROVED T HANDLE

Features:

- Roller Cam For Smooth Operation
- Blind Stud Mounting for Security
- Recessed Double Bitted Key Cylinder
- Shipping in June 2015 On All Brute Boxes Which Use T Handles



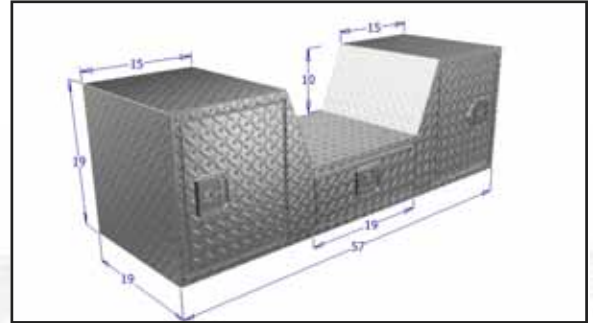
**TRAILER TONGUE
BOX PAGE 3**





Goose Neck Tailgate Box

53 lbs. 8.11 Cu. Ft.



MODEL RB257D

- 2 Recessed Swing Door Compartments
- Recessed Pull Out Drawer
- 100 Lbs. Capacity Drawer Slides
- Adjustable Dividers In Drawer
- Nearly Rail Height for Maximum Storage
- Stainless Steel Folding / Locking T Handles
- HD Aluminum Welded Construction

Door Opening 12.5"W x 15.25"H



Generator Not Included

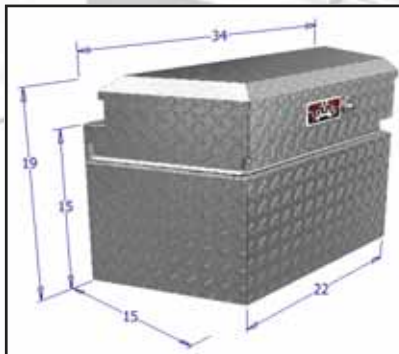
Trailer Tongue Box



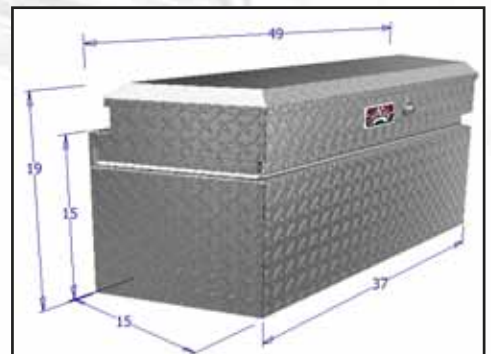
COMMERCIAL CLASS
CARGO MANAGEMENT EQUIPMENT



- Push Button Lock
- Reinforced / Domed Lid
- Gas Shocks
- Reinforcing Body Bend
- Reinforced Floor



MODEL RB3419



MODEL RB4919

Black Powder Coat Available—Add "B" to the end of the part number



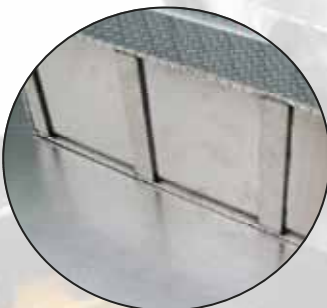
Full Lid CrossOver



Now With Level Holders



Push Button Rotary Latch



Reinforced Floor



HD Aluminum Adjustable Tray



Integrated Tool Holders

Full Metal Shield to Protect Rotary Latches & Linkage Rods



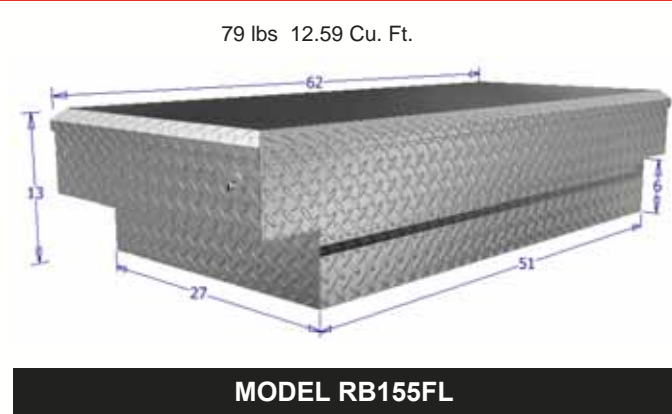
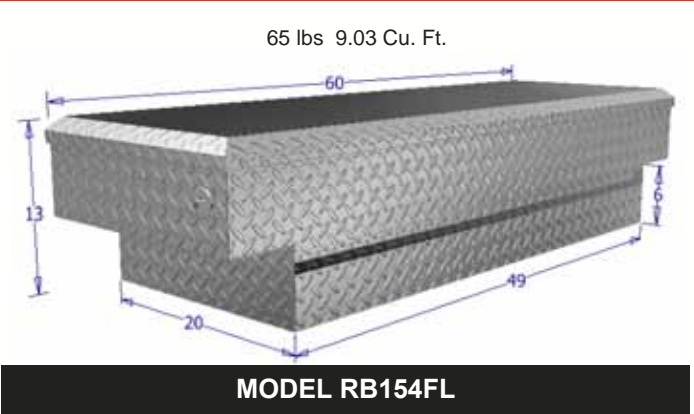
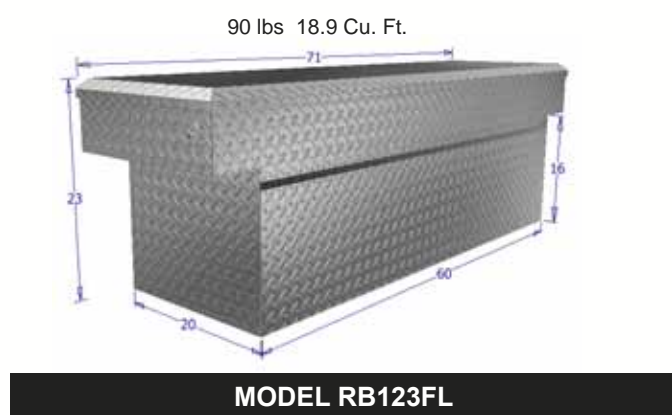
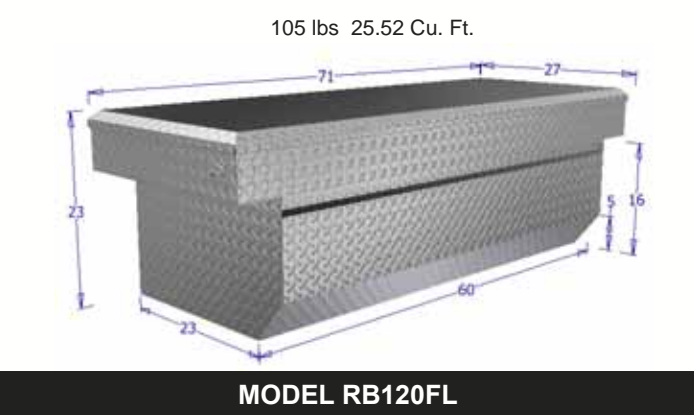
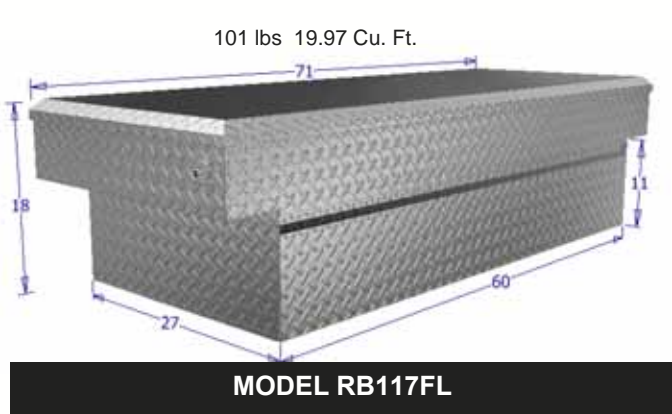
- Available in Several Dimensions
 - ⇒ Standard
 - ⇒ Deep
 - ⇒ Wide
 - ⇒ Deep & Wide
- Beveled Lid Design
- Full Rubber Weather Seal
- Diamond Tread Back
- Sturdy Hinge Point
- Strong Prop Mounting Points—Lid & Body
- Full Metal Shield for Props
- Strut Reinforced Lid



COMMERCIAL CLASS
CARGO MANAGEMENT EQUIPMENT

Full Lid CrossOver

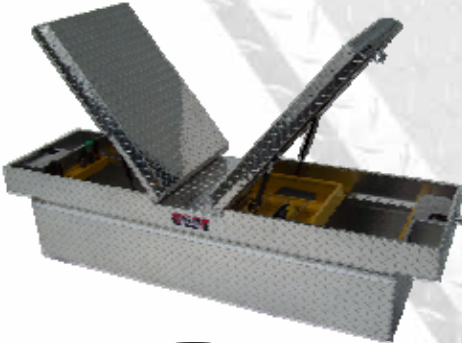
MODEL	APPLICATION
RB117FL	Full Size—Extra Wide
RB120FL	Full Size—Extra Deep & Extra Wide (w/slant)
RB123FL	Full Size—Extra Deep
RB127FL	Full Size—Standard
RB137FL	Mid Size / Down Size—Long Bed Only
RB154FL	Full Size Step Side & Down Size (shallow depth)
RB155FL	Mid Size / Down Size LB & SB (wide & Shallow)



Black Powder Coat Available—Add "B" to the end of the part number



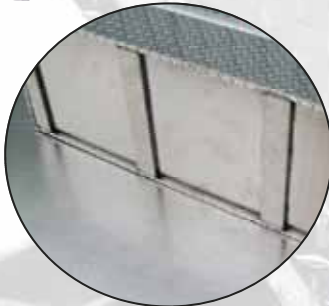
Gull Wing CrossOver



Now With Level Holders



Push Button Rotary Latch



Reinforced Floor



HD Aluminum Adjustable Tray



Integrated Tool Holders

- Available in Several Dimensions
 - ⇒ Standard
 - ⇒ Deep
 - ⇒ Wide
 - ⇒ Deep & Wide

- Beveled Lid Design
- Full Rubber Weather Seal
- Diamond Tread Back
- Sturdy Hinge Point
- Strong Prop Mounting Points—Lid & Body
- 2 Gas Props on Each Lid
- Strut Reinforced Lid



Full Metal Shield to Protect Rotary Latches

COMMERCIAL CLASS
CARGO MANAGEMENT EQUIPMENT

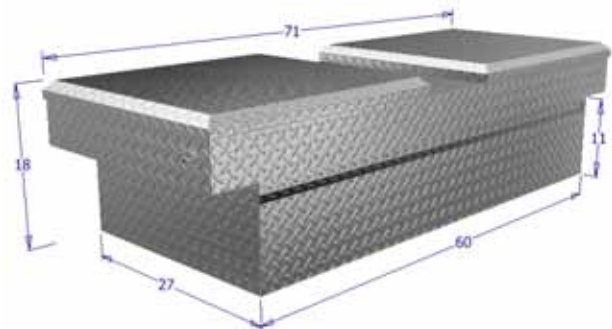


Black Powder Coat Available—Add "B" to the end of the part number

Gull Wing CrossOver

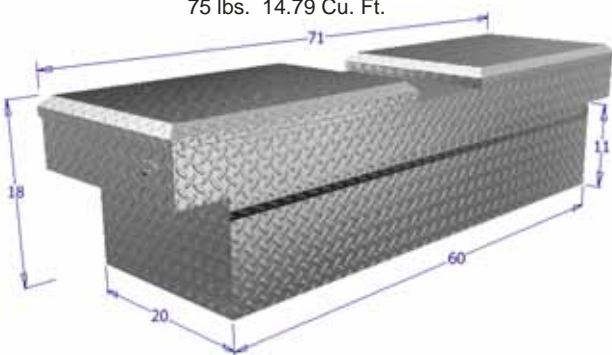
MODEL	APPLICATION
RB114GW	Full Size—Extra Wide
RB124GW	Full Size—Standard
RB134GW	Mid Size / Down Size—Long Bed Only
RB153GW	Full Size Step Side & Down Size (shallow depth)
RB157GW	Full Size—Extra Deep
RB158GW	Full Size—Extra Deep & Extra Wide (w/slant)
RB159GW	Mid Size / Down Size LB & SB (wide & Shallow)

90 lbs. 19.91 Cu. Ft.



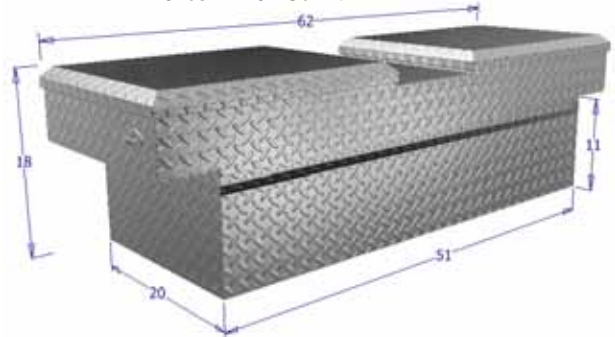
MODEL RB114GW

75 lbs. 14.79 Cu. Ft.



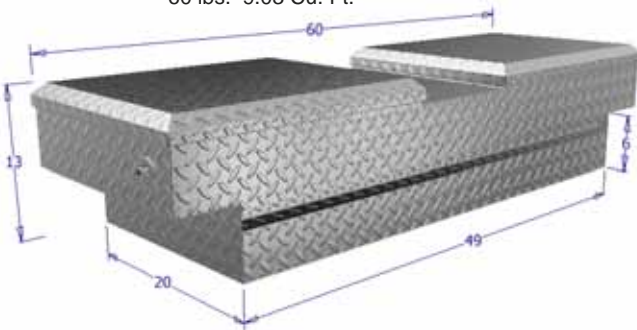
MODEL RB124GW

70 lbs. 12.92 Cu. Ft.



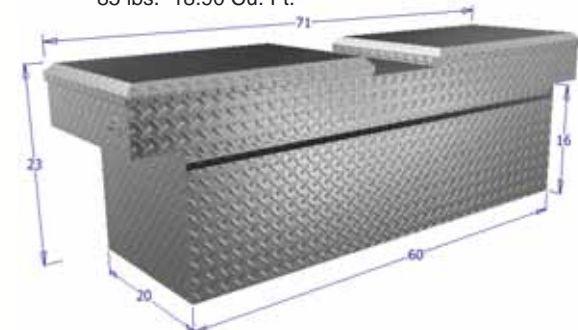
MODEL RB134GW

60 lbs. 9.03 Cu. Ft.



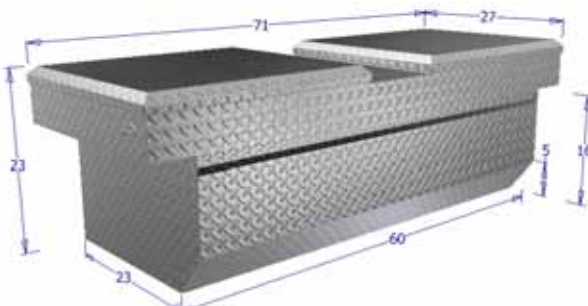
MODEL RB153GW

85 lbs. 18.90 Cu. Ft.



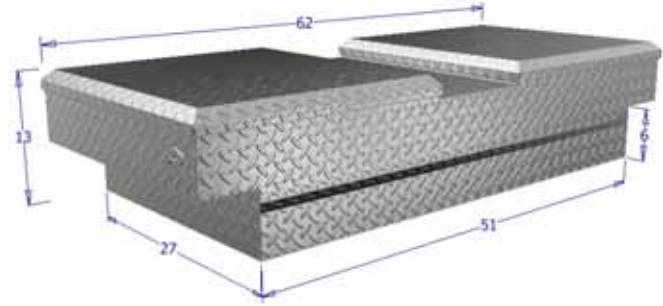
MODEL RB157GW

100 lbs. 27.41 Cu. Ft.



MODEL RB158GW

80 lbs. 12.59 Cu. Ft.

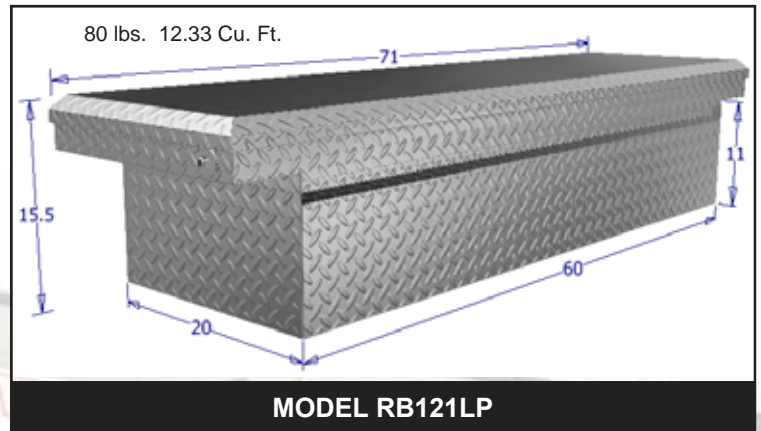


MODEL RB159GW

Black Powder Coat Available—Add "B" to the end of the part number



Low Profile CrossOver

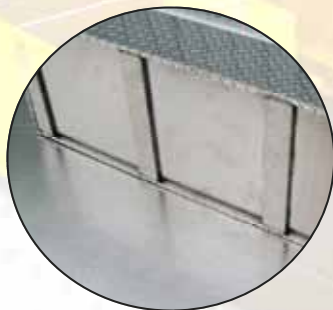


Black Powder Coat Available—Add "B" to the end of the part number

- Available For Full Size Truck Only
- Low Profile Above Bed Rail
- Full Rubber Weather Seal
- Diamond Tread Back
- Sturdy Hinge Point
- Strong Prop Mounting Points—Lid & Body
- Full Metal Shield for Props
- Strut Reinforced Lid



Push Button Rotary Latch



Reinforced Floor



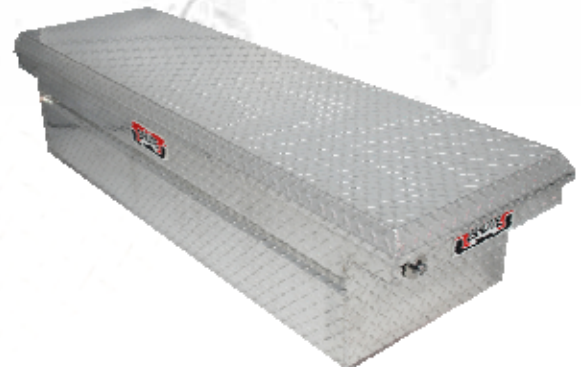
HD Aluminum Adjustable Tray



Integrated Tool Holders

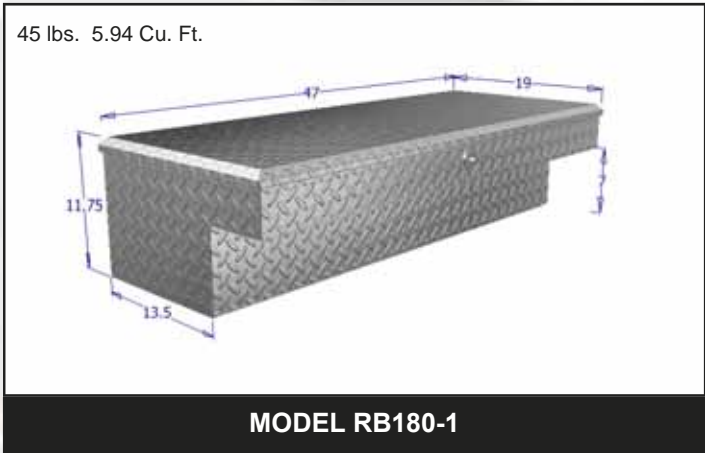


COMMERCIAL CLASS
CARGO MANAGEMENT EQUIPMENT

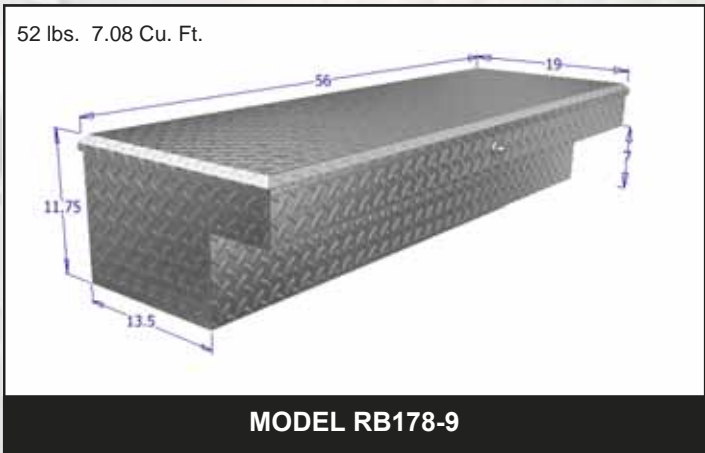




Low Profile LoSider



Black Powder Coat Available—Add "B" to the end of the part number



Deluxe Aluminum Adjustable Tray



Push Button Rotary Latch

- Low Profile Above Bed Rail
- Increased Rear View Vision
- Beveled Lid Design
- Full Rubber Weather Seal
- Full Metal Shield Protecting Rotary Latch
- 2 Gas Props Fully Guarded
- Extra Wide Design
- Made with .063" Thick Aluminum Diamond Tread
- Additional Storage Built Into the Front
- Fully Reinforced Lid
- "J" Hook, No Drill Into Side Rail Installation



COMMERCIAL CLASS
CARGO MANAGEMENT EQUIPMENT

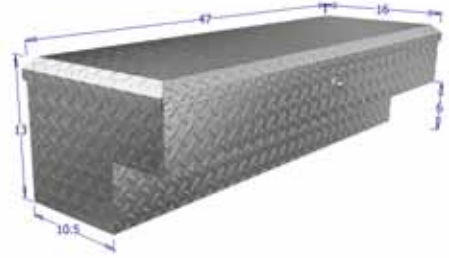


LoSider—Side Rail Box



Push Button
Rotary Latch

45 lbs 5.66 Cu. Ft.

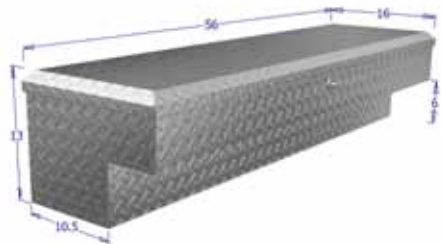


MODEL RB184



Deluxe Aluminum
Adjustable Tray

52 lbs 6.74 Cu. Ft.

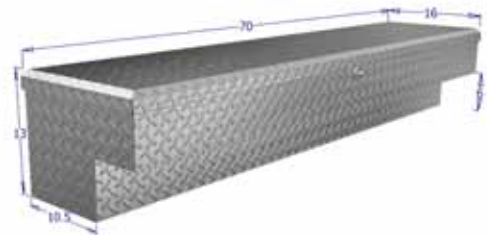


MODEL RB174

Full Clearance Mounting Hardware

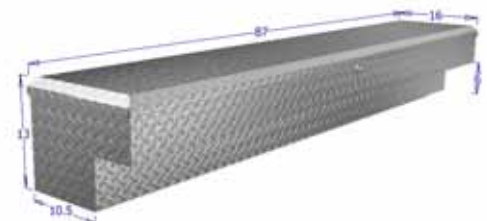
- Made with .063" Thick Aluminum Diamond Tread
- Additional Storage Built Into the Front
- Fully Reinforced Lid
- "J" Hook, No Drill Into Side Rail Installation
- Beveled Lid Design
- Full Rubber Weather Seal
- Full Metal Shield Protecting Rotary Latch
- 2 Gas Props Fully Guarded

65 lbs 8.43 Cu. Ft.



MODEL RB172

72 lbs 10.47 Cu. Ft.



MODEL RB164



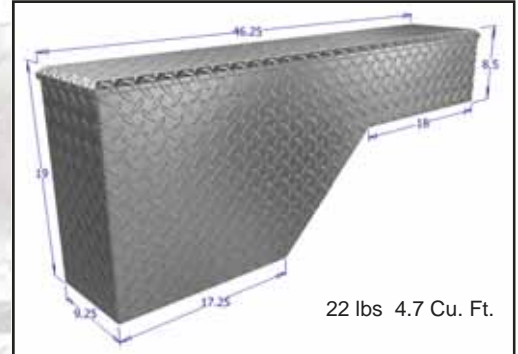
COMMERCIAL CLASS
CARGO MANAGEMENT EQUIPMENT



Pork Chop / JobSite



Push Button Rotary Latch

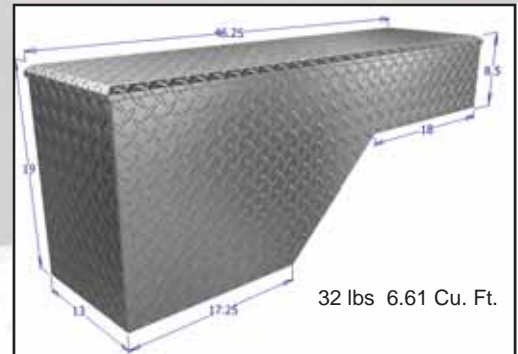


MODEL

DRIVER SIDE	RB160
PASSENGER SIDE	RB161

The Brute Pork Chop Box Features

- Over the Wheel Well Design
- Maximize Wasted Space
- Full Metal Guards on Hardware & Gas Prop
- Reinforced Beveled Lid Design
- Heavy Duty Construction
- Built in Organizer



MODEL

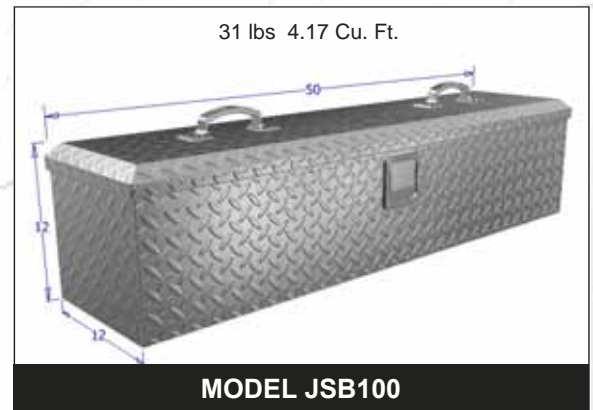
DRIVER SIDE	RB162
PASSENGER SIDE	RB163

* mounting hardware not included



The Brute JobSite Tool Box Features

- Reinforced Lid
- Beveled Lid Design—Reinforced
- 48" Level Holder
- Full Rubber Seal
- Gas Prop to Hold Lid
- Locking Paddle Handle
- Two Chrome Handles

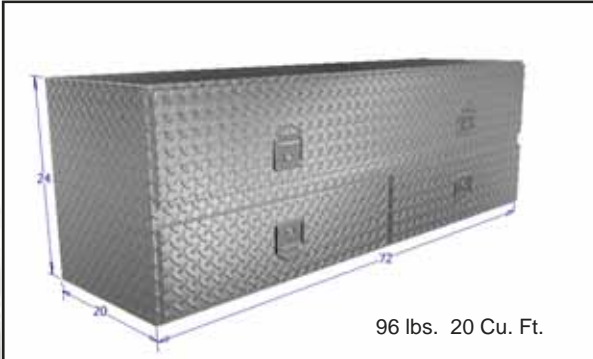


COMMERCIAL CLASS
CARGO MANAGEMENT EQUIPMENT

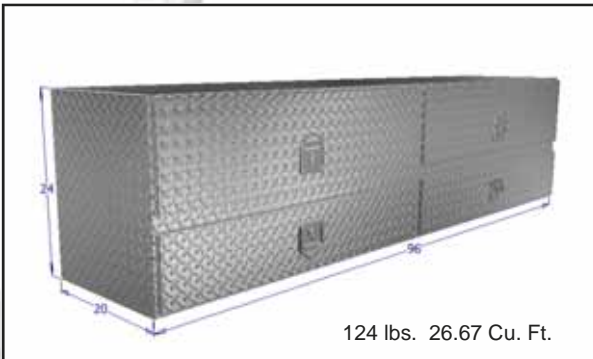
Black Powder Coat Available—Add "B" to the end of the part number



**High Capacity
Stake Bed
Contractor TopSider
W/ Drawer**



MODEL TB400-72-BD



MODEL TB400-96D-BD

Black Powder Coat Available—Add "B" to the end of the part number

COMMERCIAL CLASS
CARGO MANAGEMENT EQUIPMENT



Rain Gutter Design



Drawers w/
Adjustable Organizers



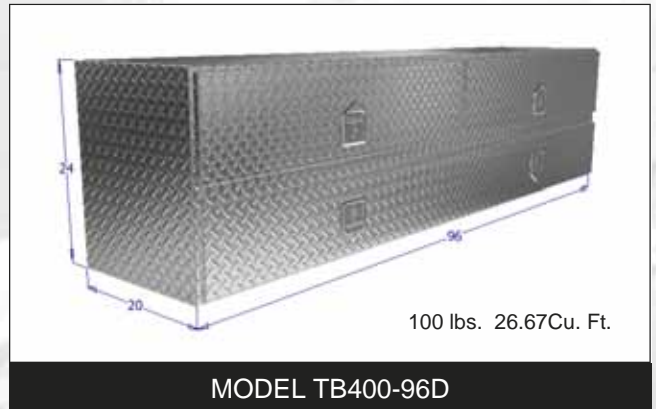
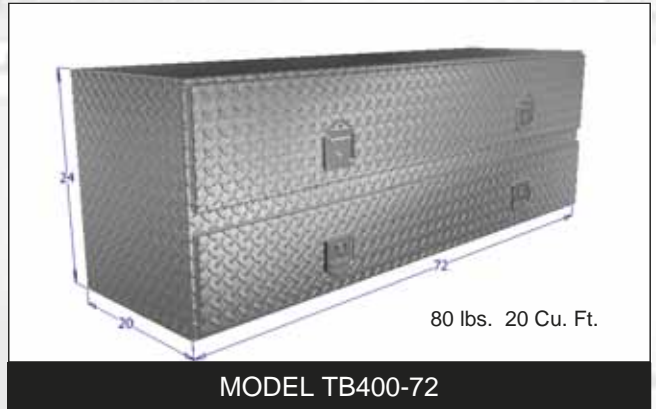
- Designed for Flat / Stake Beds
- Extra Deep & Tall
- Available in 72" or 96"
- Reinforced Top Shelf to Carry the Load
- Bottom Drawers with Organizers
- Heavy Duty Gas Shocks on Flip Up Door
- Made of .063" Thick Aluminum Diamond Tread
- Secure Stainless Folding Locking T Handles
- Weather Resistant Rain Gutter Design
- Full Rubber Seal

Folding / Locking
T Handle





**High Capacity
Stake Bed
Contractor TopSider
Full Door**



Black Powder Coat Available—Add "B" to the end of the part number

COMMERCIAL CLASS
CARGO MANAGEMENT EQUIPMENT

- Designed for Flat / Stake Beds
- Extra Deep & Tall
- Available in 72" or 96"
- Reinforced Top Shelf to Carry the Load
- Heavy Duty Gas Shocks on Flip Up Door
- Bottom Compartment w/ Drop Down Door
- Made of .063" Thick Aluminum Diamond Tread
- Secure Stainless Folding Locking T Handles
- Weather Resistant Rain Gutter Design
- Full Rubber Seal



Rain Gutter Design



Folding / Locking
T Handles





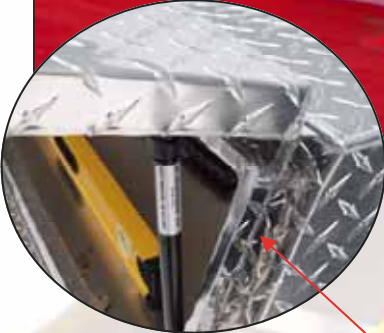
**Contractor TopSider
W/ Drawer**



Folding / Locking
T Handle



Black Powder Coat Available—Add "B" to the end of the part number



Rain Gutter



Drawers w/
Adjustable Organizers

- Available in Several Lengths
- Bottom Drawers with Organizers
- Made of .063" Thick Aluminum Diamond Tread
- Secure Stainless Steel Folding / Locking T Handles
- Weather Resistant Rain Gutter Design
- Full Rubber Seal

COMMERCIAL CLASS
CARGO MANAGEMENT EQUIPMENT

45 lbs. 7.88 Cu. Ft.

MODEL TBS200-48-BD

52 lbs. 10.21 Cu. Ft.

MODEL TBS200-60-BD

58 lbs. 11.81 Cu. Ft.

MODEL TBS200-72-BD

68 lbs. 14.44 Cu. Ft.

MODEL TBS200-88D-BD

73 lbs. 14.77 Cu. Ft.

MODEL TBS200-90D-BD

83 lbs. 15.75 Cu. Ft.

MODEL TBS200-96D-BD

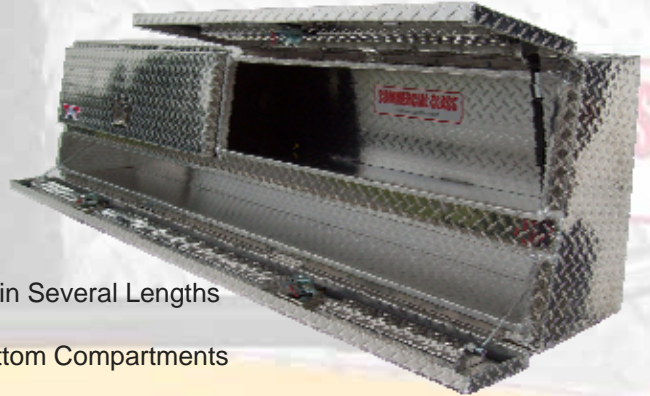


**Contractor TopSider
Full Door**



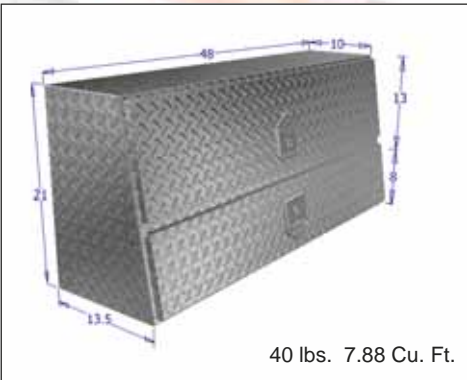
Rain Gutter

Black Powder Coat Available—Add "B" to the end of the part number

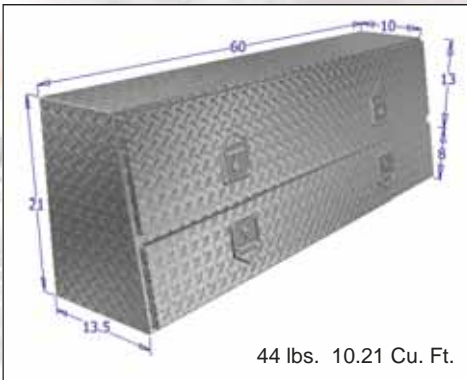


- Available in Several Lengths
- Top & Bottom Compartments
- Two Tiers of Storage
- Made of .063" Thick Aluminum Diamond Tread
- Secure Stainless Steel Folding/Locking T Handles
- Weather Resistant Rain Gutter Design
- Full Rubber Seal

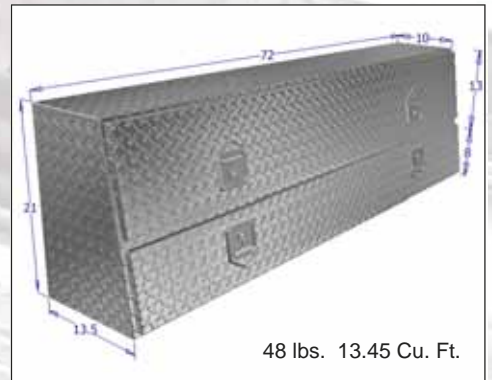
COMMERCIAL CLASS
CARGO MANAGEMENT EQUIPMENT



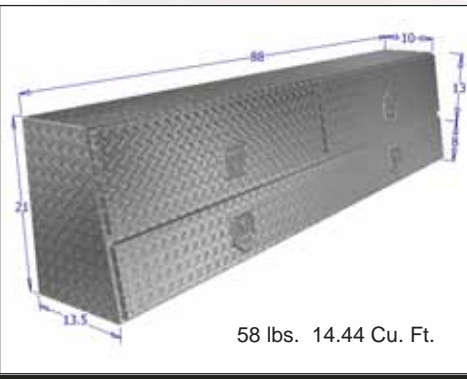
MODEL TBS200-48



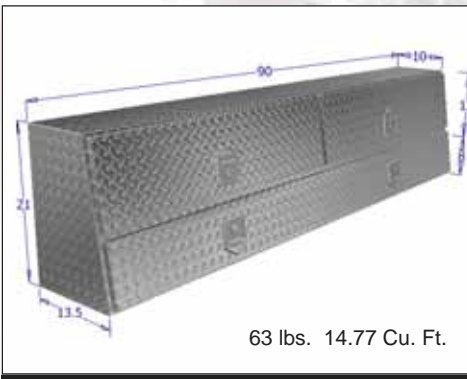
MODEL TBS200-60



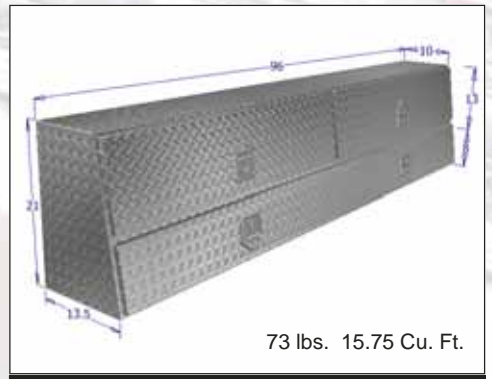
MODEL TBS200-72



MODEL TBS200-88D



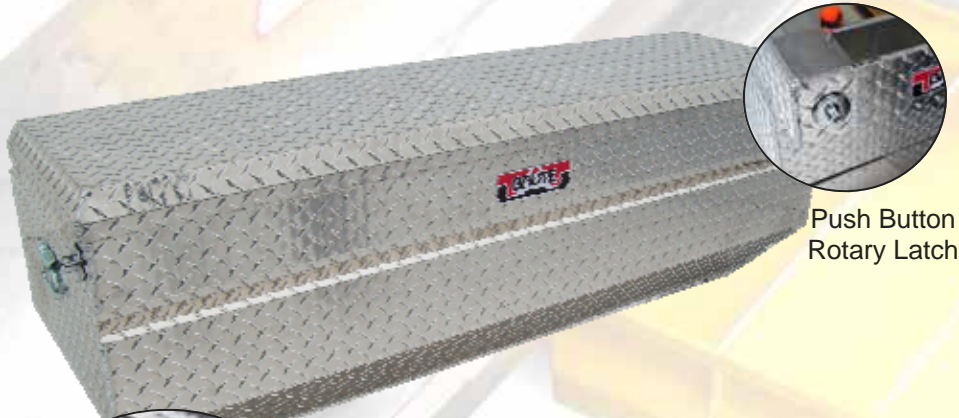
MODEL TBS200-90D



MODEL TBS200-96D

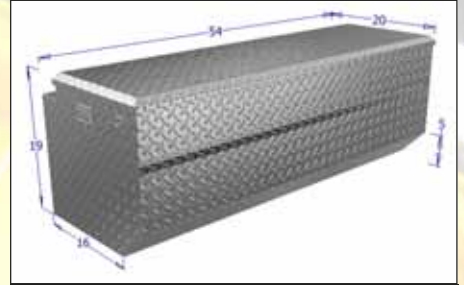


Chest Box



Push Button Rotary Latch

55 lbs. 11.88 Cu. Ft.



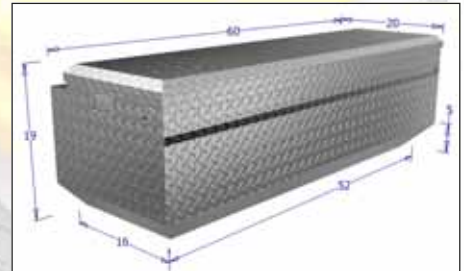
MODEL RB654



HD Aluminum Adjustable Tray

- Offset on rear allows 90° Lid Opening
- Full Rubber Seals
- Below Side Rails, Perfect for 5th Wheel Trailers
- Full Metal Guards on Gas Props & Hardware.
- Beveled Reinforced Lid

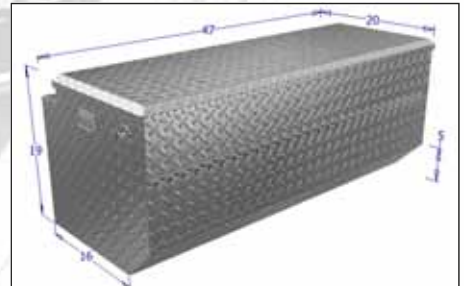
60 lbs. 13.19 Cu. Ft.



MODEL RB664

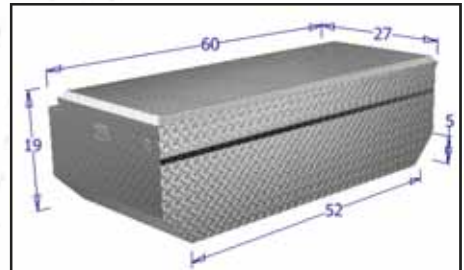


46 lbs. 10.34 Cu. Ft.



MODEL RB674

74 lbs. 17.81 Cu. Ft.



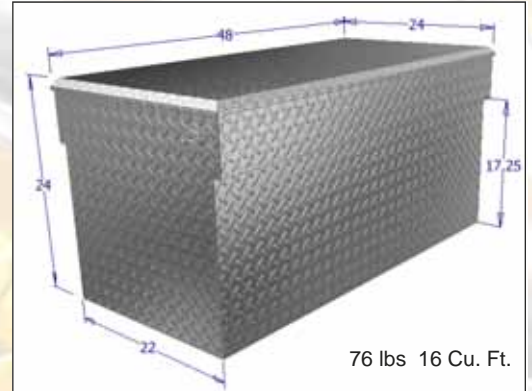
MODEL RB684

Black Powder Coat Available—Add "B" to the end of the part number

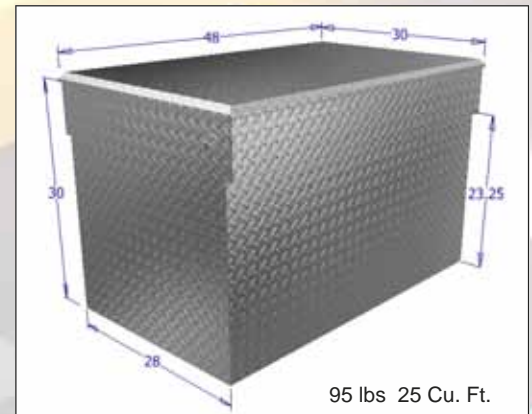
COMMERCIAL CLASS CARGO MANAGEMENT EQUIPMENT



Maximus Chest Box



MODEL RB624
76 lbs 16 Cu. Ft.



MODEL RB630
95 lbs 25 Cu. Ft.

Black Powder Coat Available—Add “B” to the end of the part number

- Reinforced Lid
- Gas Prop & Hardware Shields
- Push Button Rotary Latch
- Full Rubber Weather Seal

CONDUIT CARRIER

- Model CC121**
- .063 Thick Aluminum Construction
 - 6”High x 11”Wide x 121.5” Long
 - Installation Kit Included
 - Attaches to Most Ladder Racks
 - Lockable Rotating Hasp Latch
 - Spring Loaded Door
 - Can be Shipped UPS / FedEx

46 Lbs. 4.67 Cu. Ft.



Installation Kit Included



COMMERCIAL CLASS
CARGO MANAGEMENT EQUIPMENT

6” Extension Optional—Model CC006



**Under Body
w/ Top Drawer**

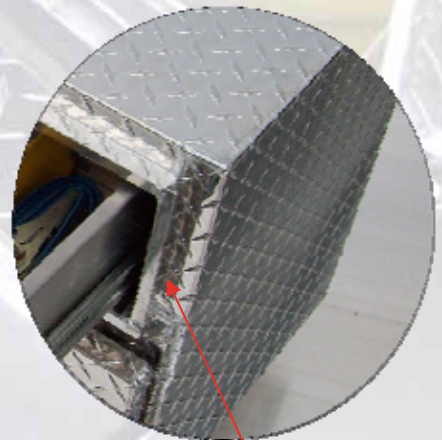
- Top Drawer with Stainless Locking / Folding T Handle
- The Drawer Contains Adjustable Dividers
- Reinforced Bottom Door with Support Cables
- The Bottom has a Compartment for Larger / Heavier Cargo
- Each Drawer has (2) Ball Bearing Slides—100 Lbs. Rating
- Full Rubber Weather Seal
- Large Rain Gutter Design to Channel Water Away From Valuable Cargo



Black Powder Coat Available—Add “B” to the end of the part number



Folding / Locking
T Handle



Rain Gutter

COMMERCIAL CLASS
CARGO MANAGEMENT EQUIPMENT



**Under Body
w/ Top Drawer**

.25 Thick Mounting Brackets



**1 Pair 18" MODEL HBK18
1 Pair 24" MODEL HBK24**

29 lbs 5 Cu. Ft.

MODEL UB24-20TD

35 lbs 6.25 Cu. Ft.

MODEL UB30-20TD

38 lbs 7.5 Cu. Ft.

MODEL UB36-20TD

45 lbs 10 Cu. Ft.

MODEL UB48-20TD

67 lbs 12.5 Cu. Ft.

MODEL UB60-20TD

Black Powder Coat Available—Add "B" to the end of the part number