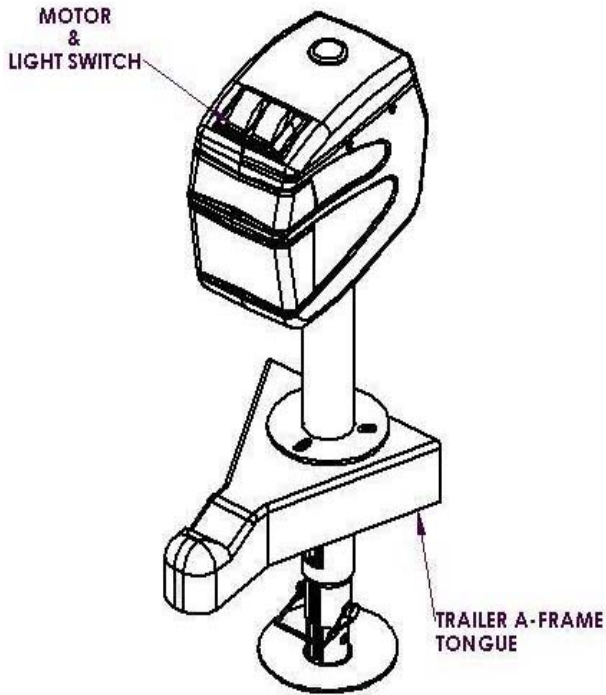




INSTALLATION/OPERATION



APPLICATION

The Ultra Odyssey 4000 Electric Tongue is a 12 volt motor- driven screw jack for the use on travel trailers and boat trailers.

SPECIFICATIONS

Vertical load: 4000 lbs. continuous over full stroke with 5000 lbs.

instantaneous tongue breakaway capacity.

Travel – 18”

Power requirements – 12 Volts D.C.

Outer tube – 2¼”

Inner tube - 2”

Adjustable Foot Pad

Retracted Height – 27”

Removable foot pad 6” dia.

Approximate Shipping Weight 30 lbs.

INSTALLATION

1. Block the wheels and support the trailer “A” frame securely.
2. Remove the existing jack.

Note: Save the original bolts and washers for

installing the Odyssey 4000 Electric Tongue Jack.

3. Install the Electric Tongue Jack using the original nuts and bolts.
4. The Electric Tongue Jack was designed to replace an existing crank down jack.
5. Depending on user’s personal preference, align the motor head so that the motor housing is facing the front of the “A” frame or so that the motor housing is facing the driver side of the trailer.
6. Install the Fuse Holder. Cut the red wire of the fuse in the middle and attach one end to the positive post of the 12 volt power supply. The other end will be connected to the Red wire from the Tongue Jack. The connections can be made using either crimping connectors or by soldering.
7. Connect Black wire to negative post of battery.

Warning: When using an extension wire, DO NOT use smaller than # 10 gauge wire.

OPERATION

1. Block trailer wheels securely.
2. The Ultra 4000 Odyssey Electric Tongue Jack is operated by means of the Toggle Switch located on top of the motor housing.
3. Extend the jack by holding the Toggle Switch in the extend position.

CAUTION: The motor will stall if jack reaches the full extent of travel both in retract and extend directions. There is an over load protection for the jack to shut off power that will auto reset in 15 seconds. After using jack, operator should learn the travel limit stops. The operator should stop the jack before reaching the travel limit.

ODYSSEY 4000 ELECTRIC TONGUE JACK
P/N 38-944024

MANUAL OPERATION

1. Disconnect the fuse, (unscrew and pull apart)
2. Remove the cap plug on top of the jack.
3. Insert a 9/16 deep well socket (Supplied) into the hole and onto the end of the drive collar. Rotate the socket with a ratchet clockwise to retract and counter clockwise to extend.
4. When complete, remove socket and replace cap plug and reassemble the fuse connection.

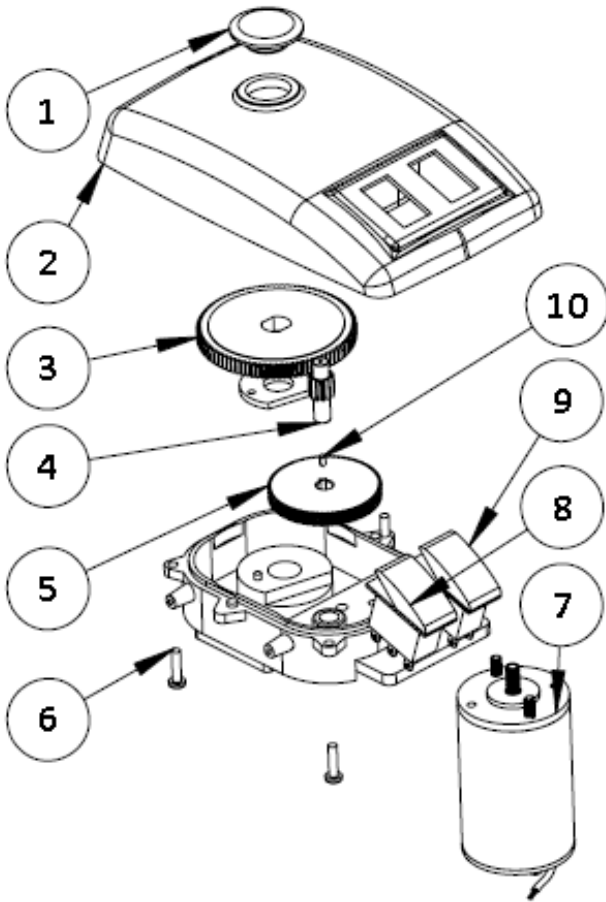
LUBRICATION

1. The Jack is lubricated before leaving the factory.

Under normal conditions, lubrication will be needed after 1 year.

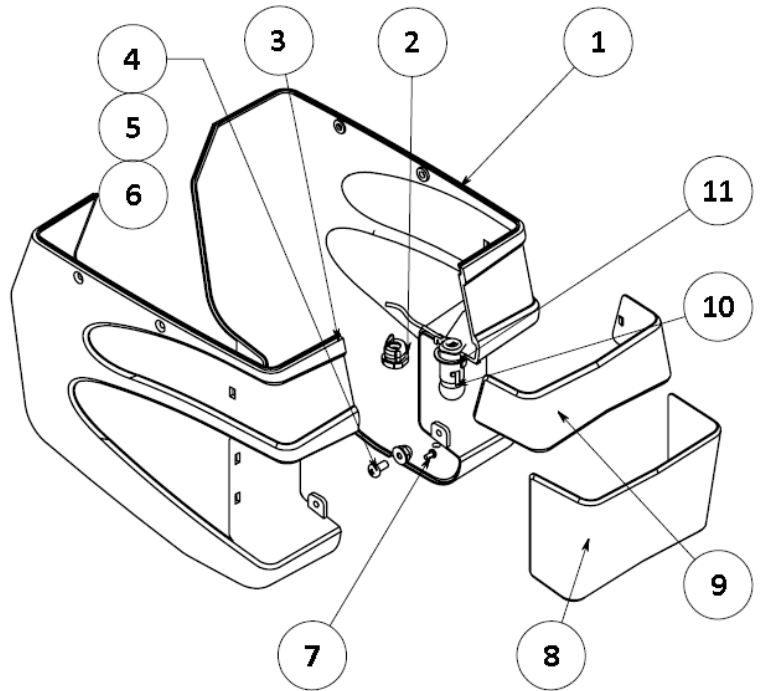
2. Grease the jackscrew by extending the jack until the grease fitting is aligned with the hole in the outer tube. Give two pumps of standard chassis lube with a standard grease gun.
3. Grease the gears in gearbox.
4. Remove the 30 amp fuse from the fuse holder.
5. Remove the (4) flat head Phillips screws holding the side housing. This will cause the housing will drop down.
6. Remove the gear cover by locating the (4) Phillips head machine screws and lift the cover.
7. Lube the gears with chassis lube and reassemble.

MOTOR/GEAR ASSEMBLY



No	Part No.	Description	Q'ty
1	38-751114	Rubber Plug	1
2	38-751119	Gear Housing Cover	1
3	38-751085	Main Gear 89T	1
4	38-751124	Pinion Gear 12T	1
5	38-751118	Spur Gear 96T	1
6	38-751150	Screw M5x20	4
7	38-751158	Motor 200W 12VDC	1
8	38-751113	Light Switch on/off 12V 16A	1
9	38-751112	Motor Switch on/off/on 30A	1
10	38-751154	Pinion Key 3x6	1
NOT	Part No.	Description	Q'ty
	38-751167	Socket 9/16" Deep Well/Manual Override	1
	38-751034	Fuse 250V 30A Slow-Blow	1
	38-751035	Fuse Holder	1

No	Part No.	Description	Q'ty
1	38-751106	Cover-Left Side	1
2	38-751143	Grommet	1
3	38-751108	Cover-Right Side	1
4	38-751144	Bolt M4x12	4
5	38-751145	Nut M4	4
6	38-751146	Washer-Lock M4	4
7	38-751140	Screw ST2.9x6.5	4
8	38-751111	Light Lens	1
9	38-751110	Amber Reflector	1
10	38-751115	Light Bulb	1
11	38-751134	Retaining Clip for Light	1

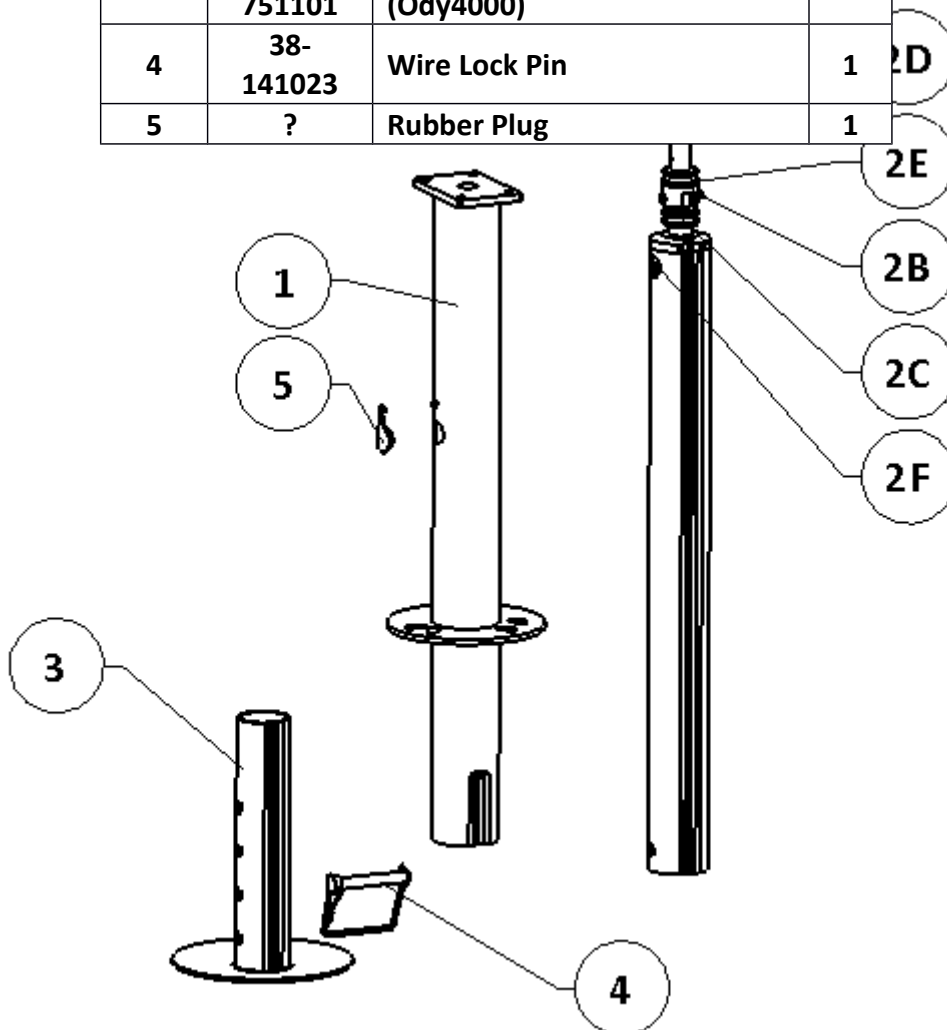


LOWER STEM ASSEMBLY

No.	Part No.	Description	Q'ty
1	38-751104	2.25" Outer Tube	1
2(A-F)	38-751159	2" Inner Tube Assembly	1
2A	38-752018	Retaining Pin 5mm	1
2B	38-751138	Cotter Pin	1
2C	38-751127	Upper Pin	1
2D	38-751122	Collar Hex Head	1
2E	38-751121	Thrust Bearing	1
2F	17-753230	Grease Zerk 6-1.0mm	1
3	38-751101	Footpad Adjustable 2.25" (Ody4000)	1
4	38-141023	Wire Lock Pin	1
5	?	Rubber Plug	1

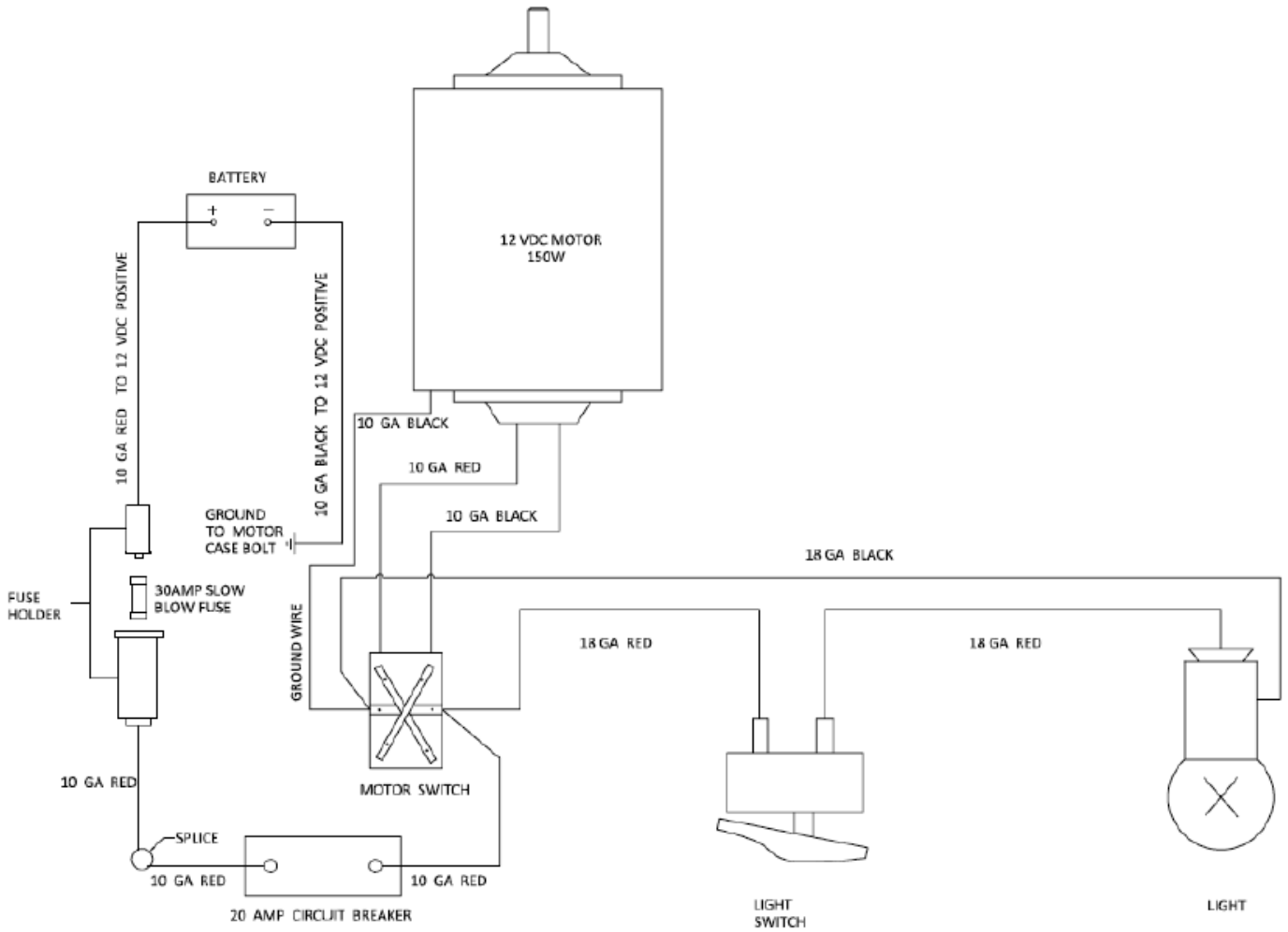
38-751168 – Lower
(Includes #1 & #2)

Stem Assembly



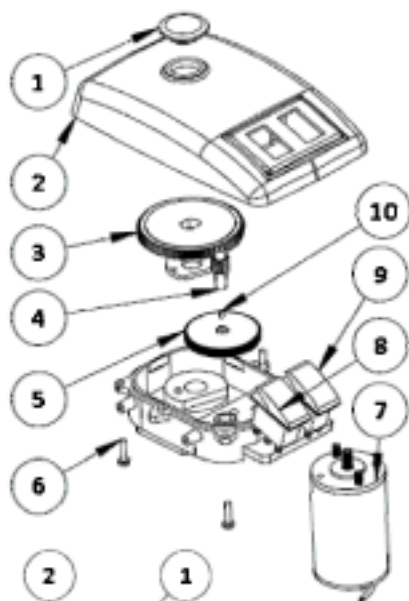
ODYSSEY 4000 ELECTRIC TONGUE JACK
P/N 38-944024

WIRING DIAGRAM

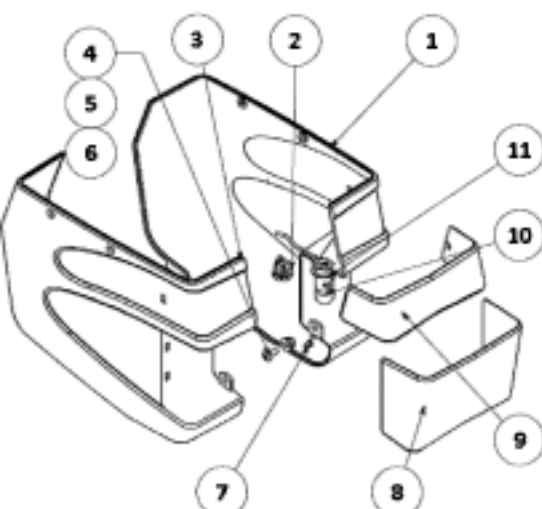




MOTOR/GEAR ASSEMBLY

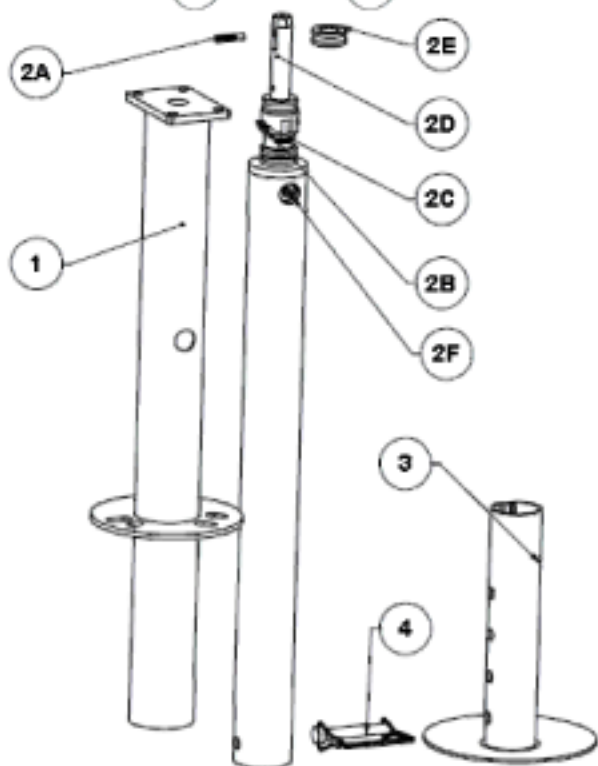


No.	Part No.	Description (interior)	Q'ty
1	38-751114	Rubber Plug	1
2	38-751119	Gear Housing Cover	1
3	38-751085	Main Gear 89T	1
4	38-751124	Pinion Gear 12T	1
5	38-751118	Spur Gear 96T	1
6	38-751150	Screw M5x20	4
7	38-751158	Motor 200W 12VDC	1
8	38-751113	Light Switch 12V 16A	1
9	38-751112	Motor Switch 30A	1
10	38-751154	Pinion Key 3x6	1



NOT SHOWN	Part No.	Description	Q'ty
	38-751167	Socket 9/16" Manual Override	1
	38-751034	Fuse 250V 30A Slow-Blow	1
	38-751035	Fuse Holder	1

No.	Part No.	Description (cover)	Q'ty
1	38-751106	Cover-Left Side	1
2	38-751143	Grommet	1
3	38-751108	Cover-Right Side	1
4	38-751144	Bolt M4x12	4
5	38-751145	Nut M4	4
6	38-751146	Washer-Lock M4	4
7	38-751140	Screw ST2.9x6.5	4
8	38-751111	Light Lens	1
9	38-751110	Amber Reflector	1
10	38-751115	Light Bulb	1
11	38-751134	Retaining Clip for Light	1



LOWER STEM ASSEMBLY

No.	Part No.	Description	Q'ty
1	38-751104	2.25" Outer Tube	1
2(A-F)	38-751159	2" Inner Tube Assembly	1
2A	38-752018	Retaining Pin 5mm	1
2B	38-751138	Cotter Pin	1
2C	38-751127	Upper Pin	1
2D	38-751122	Collar Hex Head	1
2E	38-751121	Thrust Bearing	1
2F	17-753230	Grease Zerk 6-1.0mm	1
3	38-751101	Footpad Adj 2.25" (Ody4000)	1
4	38-141023	Wire Lock Pin	1

ODYSSEY 4000 ELECTRIC TONGUE JACK

P/N 38-944024

EXTERNAL DIMENSIONS

