

TUFF COUNTRY

EZ-RIDE, SUSPENSION



TABLE OF CONTENTS

PRODUCT OVERVIEW

Leveling Kits	2
Chevy Lift Kits	4
Dodge Lift Kits	6
Ford Lift Kits	8
Jeep Lift Kits	10
Toyota Lift Kits	12
Nissan Lift Kits	14
Shock Absorbers & Steering Stabilizers	15
Upper Control Arms & Misc. Parts	16



ABOUT OUR COMPANY

Tuff Country EZ-Ride Suspension was founded on the basis of designing and manufacturing quality suspension products that will take your truck or SUV to a whole new level. We opened our doors in July of 1988 in a humble 1000-square-foot building. Over the past 25 years, we've expanded our world headquarters to a 75,000-square-foot high-tech corporate facility. We've also added a new product development facility, which keeps us on the cutting edge of new design in the ever-changing after-market suspension world.

At Tuff Country you'll find quality always comes first. All of our brackets are made from high-quality, top-grade steel and cut to precise dimensions by a state-of-the-art computerized laser machine, ensuring you a proper fit every time.

The kits are all easily installed and every one comes with a lifetime warranty. And while we never skimp on design and quality, we pride ourselves on offering the most competitive price structure in the industry—giving you the most bang for your buck available.

With the highest quality parts, low prices, plus customer service that's second to none, you'll find that Tuff Country EZ-Ride Suspension towers over the competition.

Thank you for purchasing our product and we look forward to hearing from you soon.



Quality Products
since 1988





LEVELING KITS

CHEVY | DODGE | FORD | NISSAN | TOYOTA

Tuff Country EZ-Ride offers a wide selection of kits to level the front end with the rear end of your truck. Most will maintain a factory ride and do not require extended shocks. All include a limited lifetime warranty and are manufactured in the USA.

2007-2019 Chevy Silverado 1500 4wd & 2wd
2" Front Leveling Kit



#12001 Shown

2014-2018 Dodge Ram 1500 4wd
2" Front Leveling Kit



#32103 Shown

2007-2019 Toyota Tundra 4wd & 2wd
2" Front Leveling Kit



#52070 Shown

2009-2019 Ford F150 4wd & 2wd
2" Front Leveling Kit



#22909 Shown



CHEVY/GMC

LIFT KITS

Today's Chevy and GMC trucks feature modern independent front suspension. At Tuff Country we have perfected the IFS suspension lift kits for new models like the Silverado, Suburban, Tahoe and Colorado. New Silverado model lift kits use a combination of new upper control arms along with strut spacers or torsion bar keys. These lift kits will maintain a factory ride and keep the front end perfectly aligned.

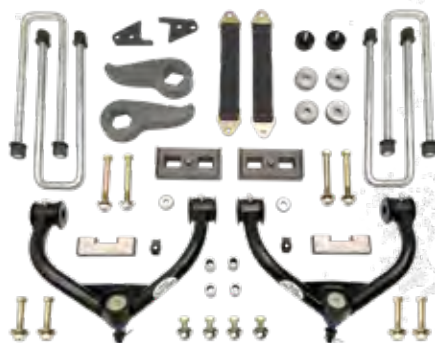


2007-2018 Silverado 1500
4" Suspension Lift Kit



#14056 Shown

2011-2019 Silverado 2500HD
3.5" Suspension Lift Kit



#13085 Shown





DODGE LIFT KITS

2013-2018 Dodge Ram 3500 3" Suspension Lift Kit



2009-2018 Dodge Ram 1500 4" Suspension Lift Kit



Tuff Country EZ-Ride Suspension has a full lineup of Dodge Ram lift kits ranging in size from 2 inches up to 6 inches of lift. This includes 3 inch and 5 inch lift kits for the new Ram 2500 and 3500 models along with 4 inch lift kit for the Ram 1500 models. Most suspension kits are available using coil spring spacers for a great ride and economical price.



FORD LIFT KITS

Whether it's an early or late model Ford F-Series truck, Tuff Country EZ-Ride has a suspension lift kit for it. Lifts are available for the ever-popular Ford F150 from 1973 to current models in sizes up to 4 inches of suspension lift. Ford F250 / F350 model are covered with kits up to 6" starting with 1980 to current models. Lift kits also available for Ranger, Bronco and Explorer models as late models.

2009-2014 F150
3" Suspension Lift Kit



#23000 Shown

2017-2019 Ford F250
4.5" Suspension Lift Kit



#24987 Shown



#23030 Shown





2007-2018 Jeep Wrangler JK
3" Suspension Lift Kit



#43001 Shown

1987-2001 Jeep Cherokee XJ
3.5" Suspension Lift Kit (w/rear leaf springs)



#43802KN Shown

JEEP

LIFT KITS

Jeeps are famous for their off-road abilities. Adding a lift kit will make your Jeep even more capable when hitting the trails. Allowing for a larger tire size will give you the added ground clearance to avoid those hazards when you leave the pavement. Tuff Country EZ-Ride Suspension offers lift kits for CJ5, CJ7, Wrangler, Cherokee and Grand Cherokee models that will make your Jeep the off-roading beast it was meant to be.



TOYOTA LIFT KITS

Tuff Country EZ-Ride Suspension has the market cornered on Toyota Tacoma and Tundra suspension lift kits. We offer kits for all years of Tacoma and Tundra models, ranging in size from 2 inches up to 6 inches of lift. These lift kits are easy to install and durable, using upper control arms with standard ball joints or uni-ball joints on new model kits. Not to be forgotten, there are also lift kits available for 4Runner, FJ Cruiser and Truck models.

2007-2019 Toyota Tundra 4" Uni-Ball Lift Kit



#54070 Shown

2005-2019 Toyota Tacoma 4" Uni-Ball Lift Kit



#54910 Shown



NISSAN LIFT KITS



2016-2019 Nissan Titan XD
4" Suspension Lift Kit



#54051aw Shown

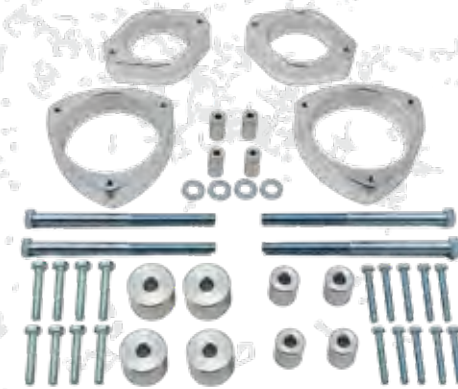
Fits up to 33" x 12.5" tires with this hot new lift kit for the Nissan Titan. Includes new upper control arms to maintain proper geometry and upper coil spacers which keep a factory ride.



SUBARU LIFT KITS



2013-2017 Subaru Crosstrek
1.5" Suspension Lift Kit



This Tuff Country EZ-Ride 1.5 inch Subaru Crosstrek lift kit allows for slightly larger tires and additional fender clearance. Once installed it will give your vehicle a great new look. Includes front and rear strut spacers made of billet aluminum.

SHOCKS & STEERING STABILIZERS



SX8000 NITRO GAS SHOCKS

Tuff Country EZ-Ride's SX8000 Nitro Gas shock absorbers are recommended for all full-size applications. The nitrogen gas pressure reduces fade and gives quicker shock response.

- Nitro Gas Charged
- Polyurethane Bushing
- Twin Tube Construction
- 5/8" Piston Rod
- Lifetime Warranty



SX6000 CELLULAR GAS SHOCKS

Tuff Country EZ-Ride's SX6000 Cellular Gas shock absorbers are recommended for mid-size & mini applications. The multi stage valving provides a smooth controlled ride on and off-road.

- Cellular Gas (Hydraulic)
- Polyurethane Bushings
- Twin Tube Construction
- Multi Stage Valving
- Lifetime Warranty



SINGLE STEERING STABILIZERS

Tuff Country EZ-Ride's SX5000 steering stabilizers are designed to improve handling characteristics and reduce steering shimmy. Single stabilizers are most effective when used with 33" or smaller tires.

Shock boots sold separately for all shocks and stabilizers. Shock boot colors: grey, blue, red, yellow and purple. All of our shocks and stabilizers come with a lifetime warranty.

UPPER CONTROL ARMS

Upper Control Arms

Tuff Country EZ-Ride Suspension's upper control arms will provide additional suspension travel. A great addition to an existing 2 inch to 4 inch suspension lift kit (vehicle must be equipped with factory steering knuckles), will help to restore proper geometry and alignment. Uni-Ball versions of the arms provide greatly reduced binding and unmatched durability.



Uni-Ball Version Shown