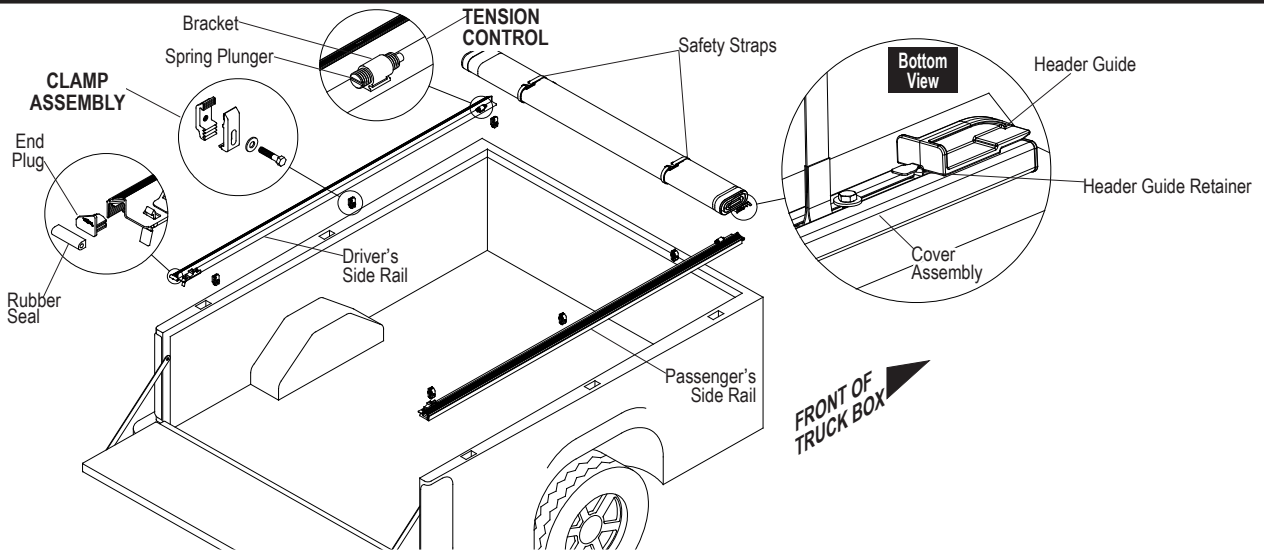


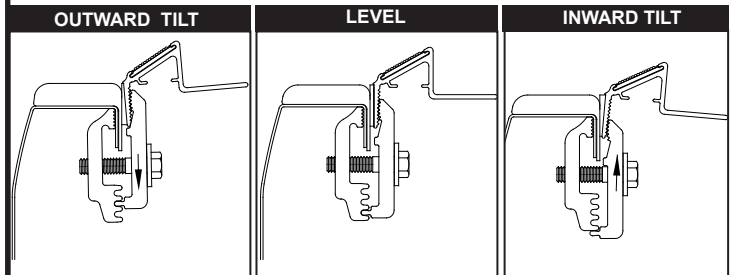
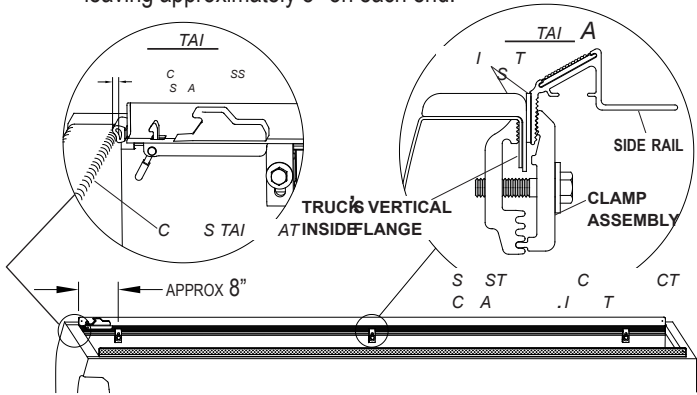
SIDE RAIL & COVER INSTALLATION



STEP 1: Attach the TruXedo rails to the truck's vertical inside flange as shown in Detail A. To get the correct TruXedo rail alignment from front to back, See Detail-B. Compress the rear D-seal against the closed tailgate and hold. Attach clamps starting at the tailgate. Evenly space 3 clamps along each TruXedo rail, leaving approximately 8" on each end.

STEP 2: For optimum latching performance and cover fit, side rails must be level. To adjust rails, loosen screws and reposition male clamps higher or lower. Tighten all clamps.

WARNING Tighten clamps securely on side rails before driving vehicle.

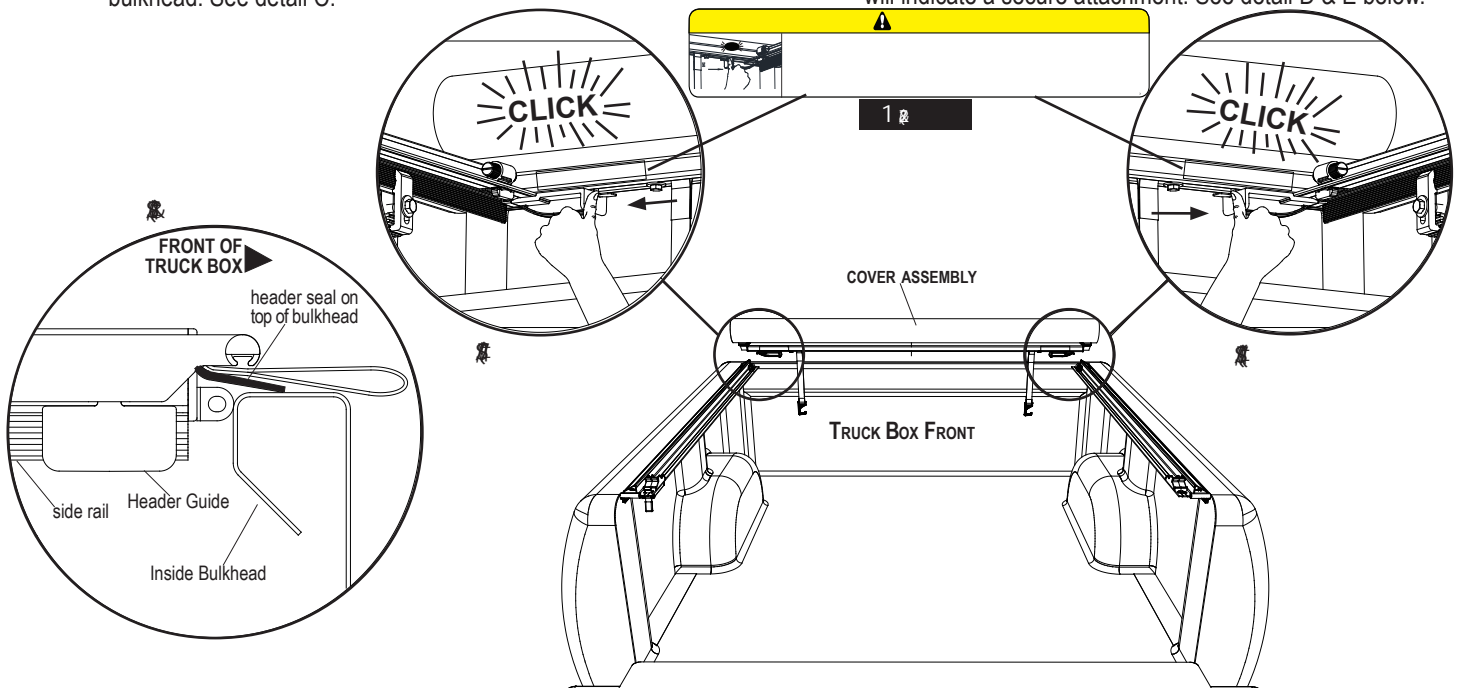


LOWER CLAMP CORRECT RAISE CLAMP

NOTE: Clamp configurations shown are for reference only and are not intended to be standard for all pickups.

STEP 3: Set cover assembly behind cab with header seal on top of of bulkhead. See detail C.

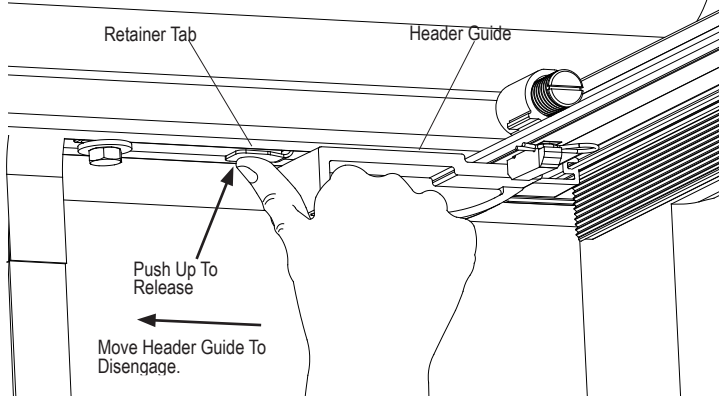
STEP 4: Push header guides into place under side rail. A **click** sound will indicate a secure attachment. See detail D & E below.



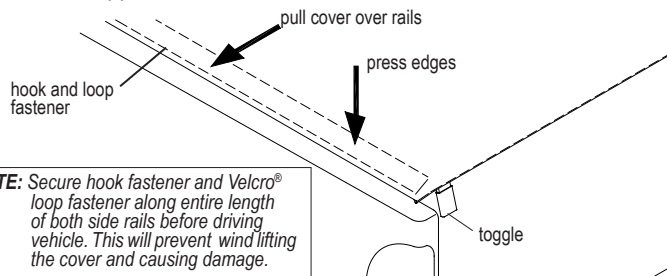
HOW TO REMOVE COVER ASSEMBLY

STEP 5: If you want to remove cover assembly push up on retainer tab with thumb and pull header guide over retainer until it stops. Do this for both passenger and driver side. Then lift cover assembly off of side rails.

Passenger Side Shown



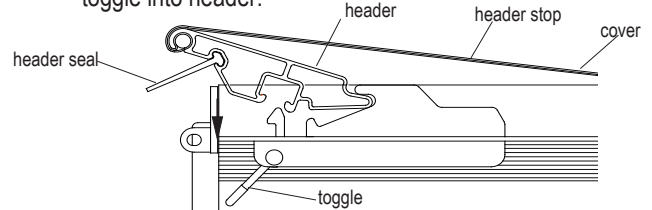
STEP 7: Secure hook fastener and Velcro® loop fastener strips on one side of rail, by pressing along full length of rail. Pull cover tight across pickup bed, and secure fasteners on opposite side rail.



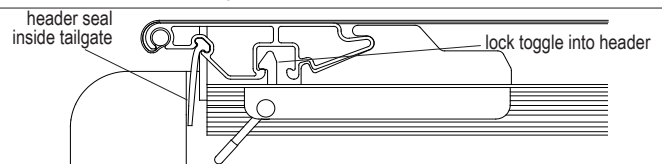
NOTE: Secure hook fastener and Velcro® loop fastener along entire length of both side rails before driving vehicle. This will prevent wind lifting the cover and causing damage.

LATCHING & UNLATCHING COVER

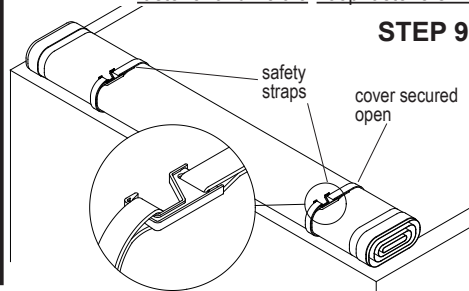
STEP 6: Always close cover before closing tailgate. Unroll cover toward tailgate and rest bows on side rails. Rotate header into header stops and press down to lock toggle into header.



NOTE: If tailgate has a key lock, TruXedo® is secured until tailgate is unlocked and opened.



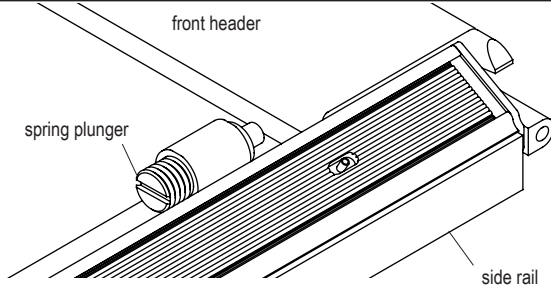
STEP 8: To release cover, Trigger pull rear release toggle. Start rolling cover toward cab making sure both sides of cover roll evenly. For best results leave unrolled portion of cover attached to the hook fastener and Velcro® loop fasteners while opening.



STEP 9: Secure cover open by hooking safety straps to front loops.

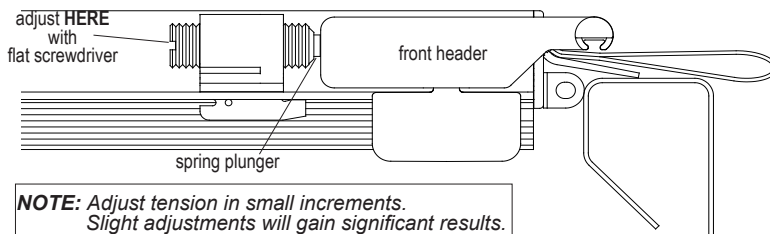
COVER TENSION ADJUSTMENT

EVER-TITE™
AUTOMATIC
TENSION
CONTROL



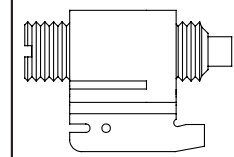
- Spring plunger compensates for material expansion & contraction caused by temperature changes.
- Check cover tension after installation, seasonally, and after extreme temperature changes.
- For best performance, adjust tension regularly to protect your cover against wind wear.

STEP 10: Set tension during warmest part of day. With cover closed, release hook and loop fastener from both side rails near cab. Check compression of both spring plungers against the front header per diagram. Roll cover open and make adjustments. Close cover and re-check adjustment. Repeat until satisfactory tension has been achieved.

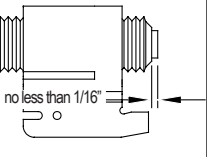


NOTE: Adjust tension in small increments. Slight adjustments will gain significant results.

COVER TOO LOOSE
TURN SPRING PLUNGER
SCREW CLOCKWISE



CORRECT TENSION
DURING WARMEST
PART OF DAY



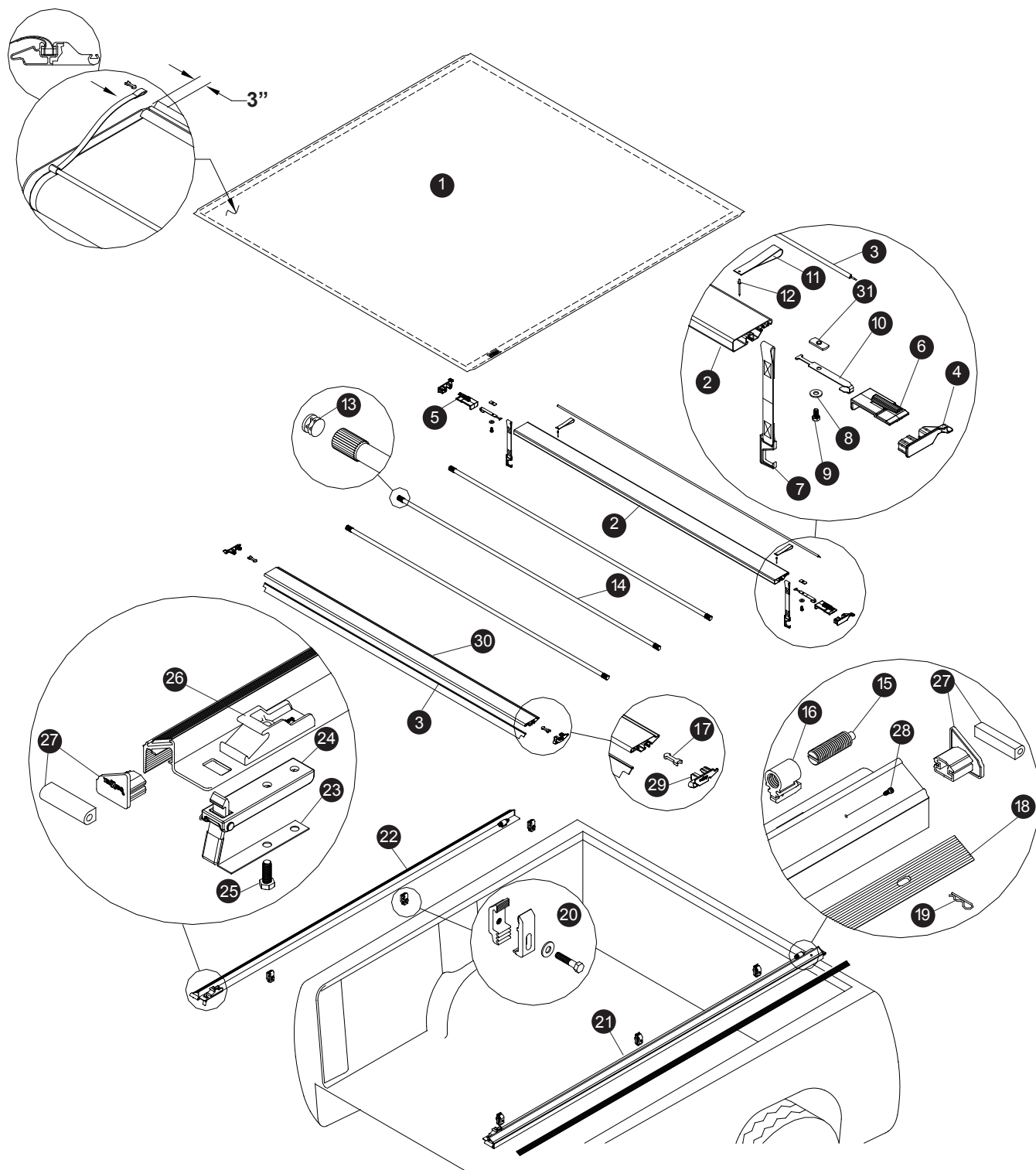
TROUBLE SHOOTING

HEADER WILL NOT LATCH:

- Check side rails to make sure they are level. See Step 2.
- Make sure the header seal is not caught between side rail & header.
- Check position of side rails on pickup box, they may be positioned too low. See Step 1.
- Make sure cover has proper tension. See Step 9.

FABRIC COVER IS TOO TIGHT OR TOO LOOSE: See Step 9 to adjust tension.

* VELCRO® is a registered trademark of the Velcro companies.



TRUXEDO® LO PRO QT REPLACEMENT PARTS

1	*	TruXedo® Lo Pro QT Replacement Cover	11	1115353	Header Safety Strap	21	*	Side Rail, Passenger's Side
2	*	Black Front Header	12	1703344	Blind Rivet, 1/8" x 3/16"	22	*	Side Rail, Driver's Side
3	*	Header Seal, Notched	13	1701595	End Plug, 1" OD	23	1114773	Flat Spring, 5/8" x 3 7/8"
4	1117540	Front Header 08 End Plugs (Set of Two)	14	*	Black Bow	24	1704213	Latch Assembled
5	1117592	Header Guide, Driver's Side	15	1702992	Spring Plunger, 5/8" x 2.15"	25	1702926	Cap Screw, 5/16" x 7/8"
6	1117593	Header Guide, Passenger's Side	16	1703260	Tension Control Bracket	26	1704187	Header Stop
7	*	Safety Strap	17	1115354	Header Insert Safety Clip	27	1115373	Side Rail End Plugs w/Seal (Set of Two)
8	1700428	Washer Flat 5/16"	18	*	Hook and Loop Fasteners	28	1704383	Filister Head Screw
9	1704606	Cap Screw, 5/16-18 x 5/8"	19	1703332	Hitch Pin, 1/16" x 1 5/16"	29	1117467	Rear Header 08 End Plugs (Set of Two)
10	1117591	Header Guide Retainer.	20	1115191	Aluminum Clamp Assy	30	*	Black Rear Header
						31	1704194	Weld Nut 5/16-18 ZP

* Please specify length or make and model of vehicle.