



Instructions for:

## Trick Flow Valve Cover Adapter for Small Block Chevrolet TFS-31500811

---

**Please read the instructions before assembly.**

### Overview

Thank you for purchasing a set of Trick Flow valve cover adapters. They are made in the USA and are easily installed when following the supplied instructions. Note that the torque specifications are given in **inch-lbs.** not ft-lbs. **DO NOT OVER-TORQUE.**

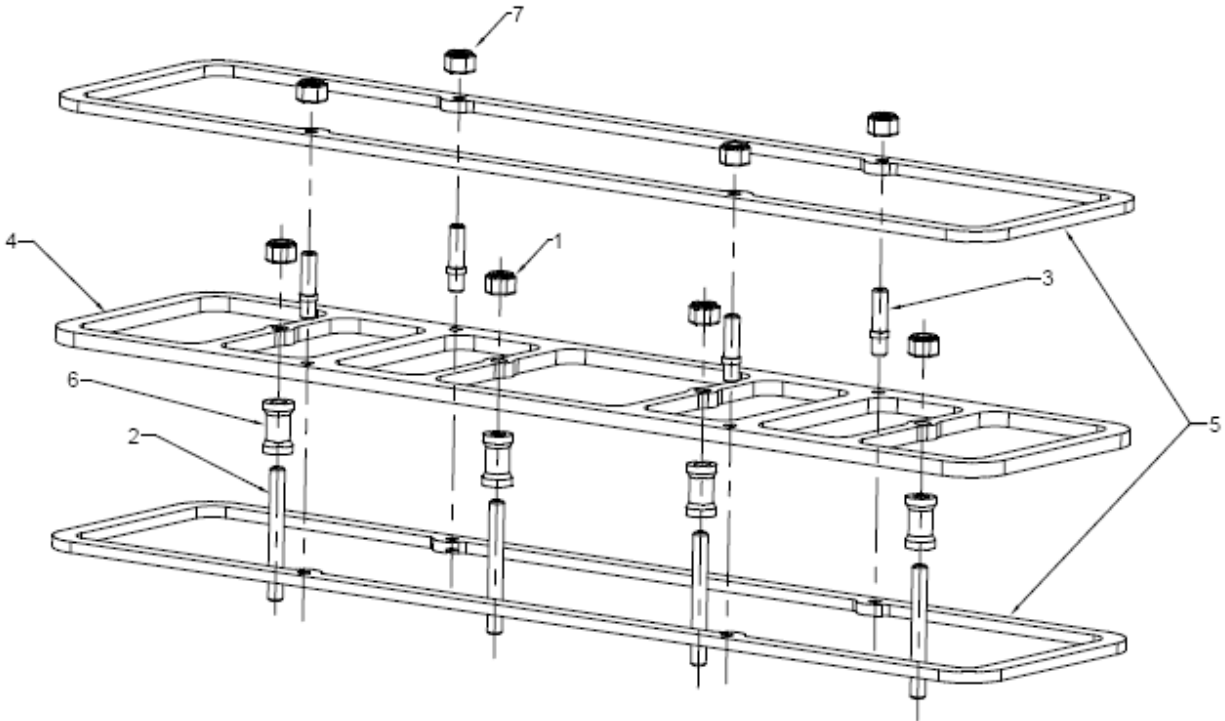
The polymer gaskets supplied in this kit require only a clean, dry surface to seal properly. **Do not use gasket sealer!** The use of gasket sealer may allow the gasket to slide out of position resulting in leaks. The gaskets need to be dry to properly grip the surface.

Keep in mind that these adapters will position the valve covers about .650" higher. This, plus the fact that early style valve covers are taller than the centerbolt style may require you to make modifications to plumbing or bracketry that is above the valve covers. Narrow body rocker arms are required to clear this adapter.

### Installation Instructions

- 1.) Remove your centerbolt style valve covers.
- 2.) Clean the gasket surface on the head.
- 3.) Install the shorter, fine thread side of the short studs into the adapter and torque to 20 **inch-lbs.** It's easier to torque the studs by using a pair of standard 1/4"-20 nuts to act as jam nuts. This will allow you to put a socket onto the stud for easy turning.
- 4.) Next, install the long studs into the four center holes in your cylinder head. Again, double nut the studs and torque to 25 inch-lbs. Next, put one of the cylindrical aluminum spacers over each of the long studs.
- 5.) Place one of the polymer gaskets on the bottom of the adapter and slide the adapter over the four studs in the head. **Do not use sealer.** Make sure the gasket between the adapter and head is properly positioned then secure the adapter to the head with four of the Nylock nuts. If there is not enough thread showing above the adapter, back off on the center studs until you can get the nut on to draw the adapter down. Tighten the nuts until the adapter draws down upon the spacers then torque the nuts to 90 inch-lbs.
- 6.) Place the other polymer gasket over the short studs on top of the adapter and make sure it is properly positioned. Again, do not use any type of sealer.
- 7.) Place your early style valve covers onto the adapter, over the short studs. Use the captive washer nuts to mount the valve cover and tighten down evenly in a criss-cross pattern. Again, don't over torque. 35 inch-lbs is all the torque needed.
- 8.) Reattach any items that were removed earlier then start the engine and carefully check for leaks.

**See diagram on rear of page.**



ITEM NO.	QTY.	DESCRIPTION
1	8	1/4-20 NYLOCK NUT
2	8	1/4-20 X 2 1/4LG THREADED STUD
3	8	1/4-20 X 3/4, 1/4-28 X 5/16 SPECIAL STUD
4	2	STEEL ADAPTER PLATES
5	4	POLYMER GASKETS
6	8	CYLINDRICAL SPACER
7	8	1/4-20 CAPTIVE WASHER NUT

### **Ultimate Bolt-On Performance® Lifetime Warranty**

**Trick Flow Specialties cylinder head castings are backed by a lifetime warranty. If a cylinder head casting fails to provide the original purchaser with complete satisfaction, Trick Flow Specialties will repair or replace it free of charge — guaranteed!**

Moreover, the valves, valve guides, valve seats, valve job, valve springs, valve spring retainers, valve locks, rocker arm studs, guideplates, and valve stem seals included on assembled Trick Flow Specialties cylinder heads are warranted to the original purchaser to be free from defects in materials and workmanship for a period of two years from the date of purchase. All other Trick Flow Specialties products are warranted to be free from defects in materials and workmanship for a period of 90 days. There are no mileage limitations.

#### **Extent of Warranty**

Customers who believe they have a defective product should return it to the dealer from which they purchased or ship it freight prepaid to Trick Flow Specialties along with proof of purchase and a complete description of the problem. If a thorough inspection indicates defects in materials or workmanship, our sole obligation is to repair or replace the product.

This warranty is only if the product is properly installed, subjected to normal use and service, did not fail due to owner negligence or misuse, and has not been altered or modified.

Trick Flow Specialties warranties do not cover any installation or removal costs.

Trick Flow Specialties is not liable for consequential damages for breach of contract of any warranty in excess of the purchase price of the product sold.

#### **PROPOSITION 65 WARNING**

This product may contain one or more substances or chemicals known to the state of California to cause cancer, birth defects or other reproductive harm.