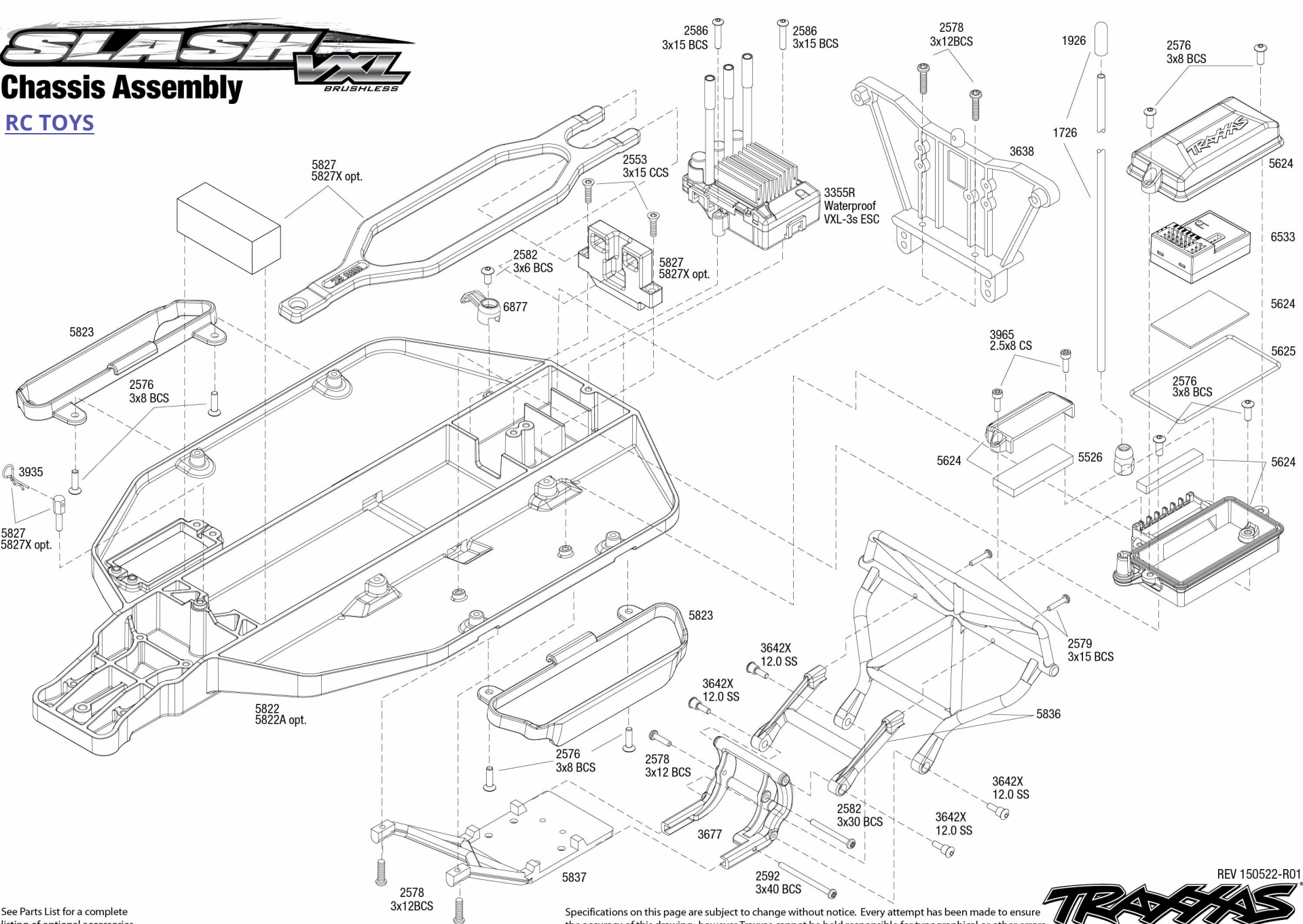


SLASH XL

Chassis Assembly

RC TOYS



See Parts List for a complete listing of optional accessories.

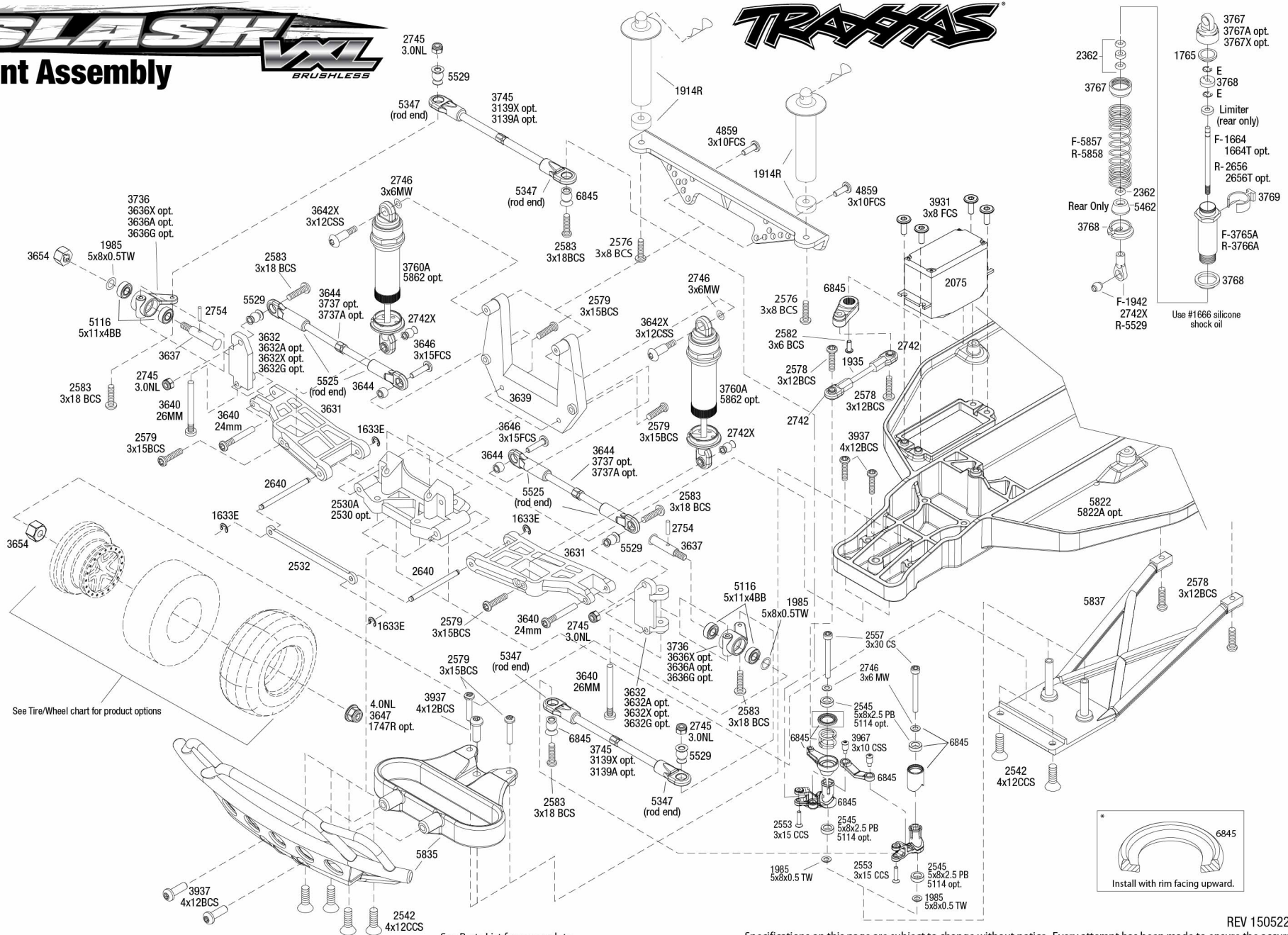
Specifications on this page are subject to change without notice. Every attempt has been made to ensure the accuracy of this drawing, however Traxxas cannot be held responsible for typographical or other errors.

SLASH XL

Front Assembly

BRUSHLESS

TRAXXAS



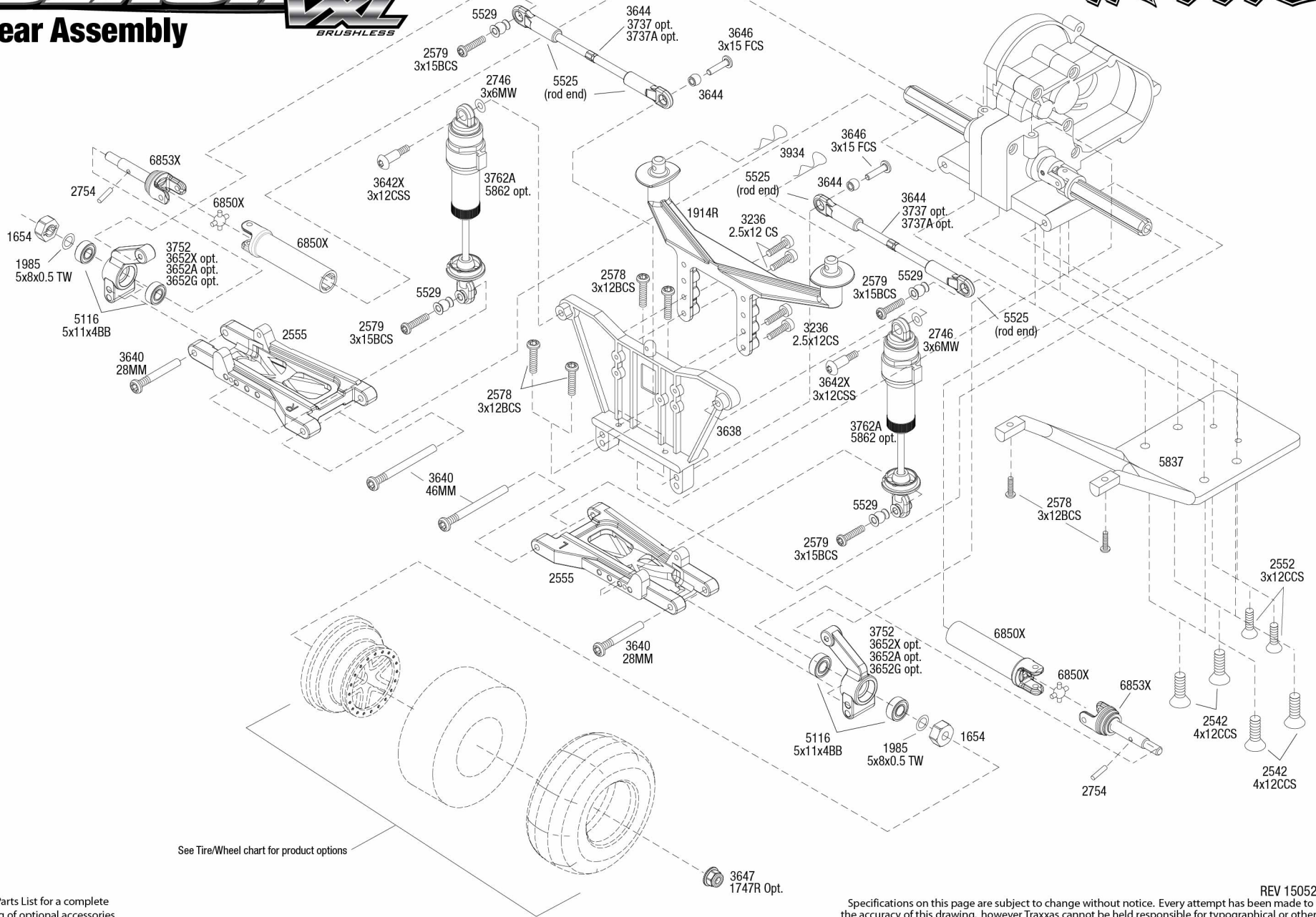
REV 150522-R01

Specifications on this page are subject to change without notice. Every attempt has been made to ensure the accuracy of this drawing, however Traxxas cannot be held responsible for typographical or other errors.

SLASH XL

BRUSHLESS

Rear Assembly



See Tire/Wheel chart for product options

See Parts List for a complete listing of optional accessories.

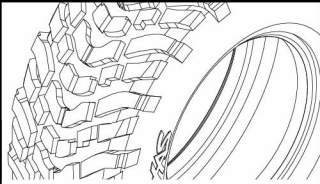
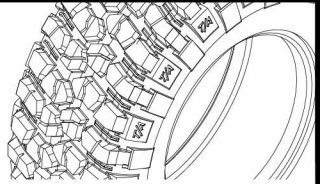
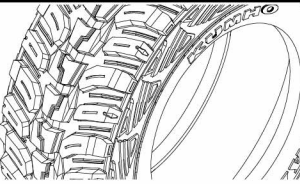
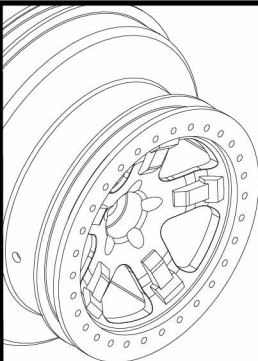
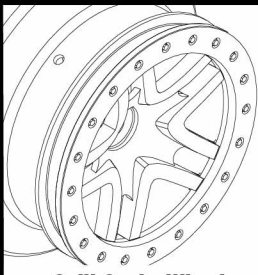
REV 150522-R01
 Specifications on this page are subject to change without notice. Every attempt has been made to ensure the accuracy of this drawing, however Traxxas cannot be held responsible for typographical or other errors.

SLASH VXL

BRUSHLESS

Wheel and Tire Chart



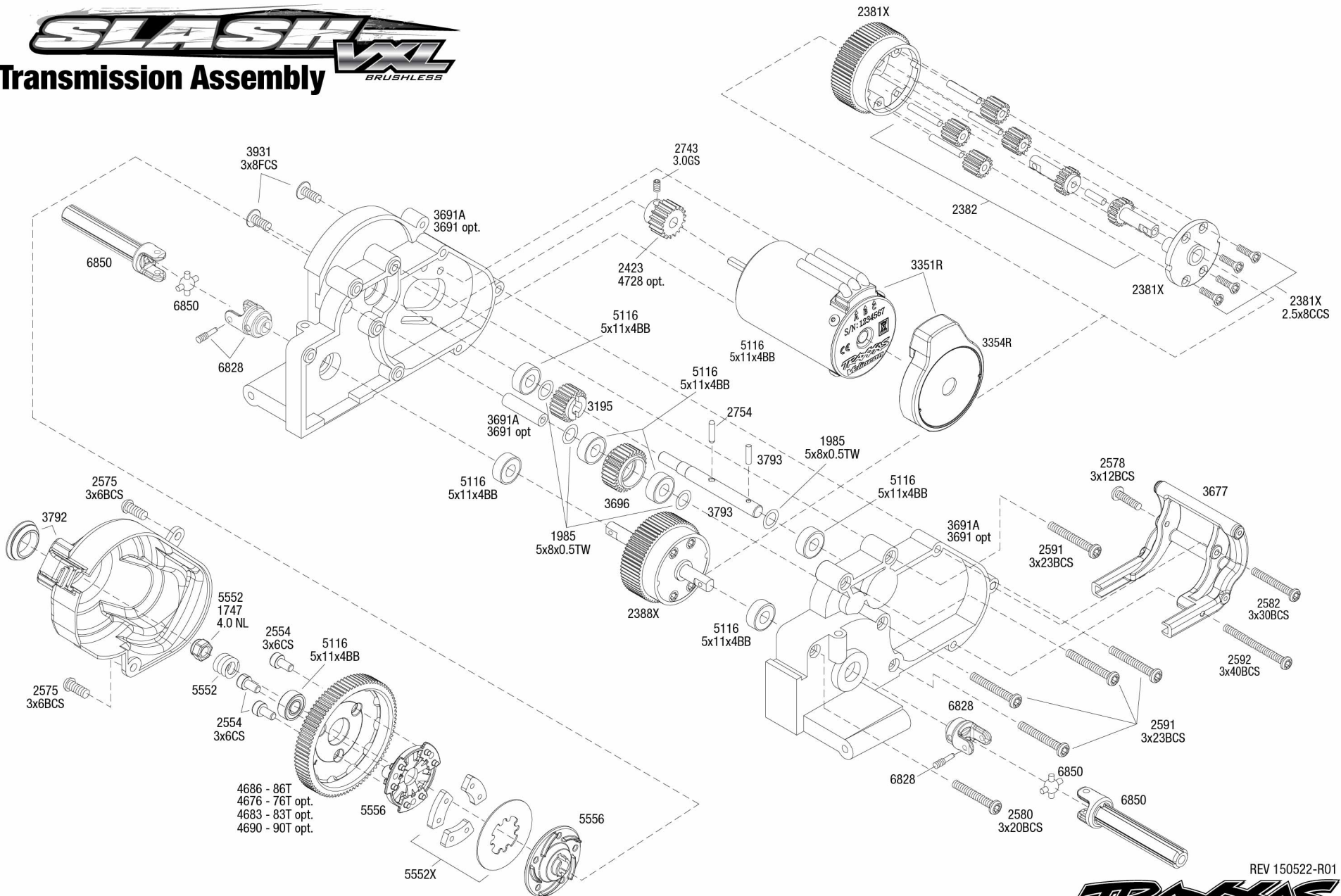
		 Traxxas SCT Tires with Foam Inserts		 BFGoodrich® Mud Terrain™ T/A® Tires with Foam Inserts		 Kumho Road Venture MT tires with Foam Inserts		
		5871	S1 Ultra-Soft Racing Compound 5871R	6871	S1 Ultra-Soft Racing Compound 6871R	6870	S1 Ultra-Soft Racing Compound 6870R	
Wheels*		Assembled Wheels and Tires		Assembled Wheels and Tires		Assembled Wheels and Tires		
 Traxxas SCT Wheels	Satin Beadlock/ Satin Wheel - Slash Rear or Slash 4x4 Front/Rear	5872	5873	-	-	-	-	
	Satin Beadlock/ Satin Wheel - Slash Front	5874	5875	-	-	-	-	
	Red Beadlock/ Satin Wheel - Slash Rear or Slash 4x4 Front/Rear	5872A	5873A	5873R	"	"	"	
	Red Beadlock/ Satin Wheel - Slash Front	5874A	5875A	5875R	-	-	-	
	Black Beadlock/ Satin Wheel - Slash Rear or Slash 4x4 Front/Rear	5872X	5873X	-	5878	-	5880X	
	Black Beadlock/ Satin Wheel - Slash Front	5874X	5875X	-	5879	-	5881X	
	Red Beadlock/ Chrome Wheel - Slash Rear or Slash 4x4 Front/Rear	5868	-	-	5867	-	-	
	Red Beadlock/ Chrome Wheel - Slash Front	5870	-	-	5869	-	-	
	Green Beadlock/ Chrome Wheel - Slash Front	5866	-	-	5865	-	-	
	Green Beadlock/ Chrome Wheel - Slash Rear or Slash 4x4 Front/Rear	6875	-	-	6876	-	-	
 Split Spoke Wheels	Orange Beadlock/ Black Wheel - Slash Front	5870X	5864	-	-	-	-	
	Orange Beadlock/ Black Wheel - Slash Rear or Slash 4x4 Front/Rear	5868X	5863	-	-	-	-	
	Black Beadlock/ Satin Wheel - Slash Rear or Slash 4x4 Front/Rear	6872	-	-	6873	6873X	6874	6874R
	Black Beadlock/ Satin Wheel - Slash Front	5876	-	-	5877	-	5882	5882R
	Red Beadlock/ Chrome Wheel - Slash Rear or Slash 4x4 Front/Rear	6872A	-	-	6873A	6873R	-	-
	Red Beadlock/ Chrome Wheel - Slash Front	5876A	-	-	5877A	5877R	-	-
	Green Beadlock/ Chrome Wheel - Slash Rear or Slash 4x4 Front/Rear Front	6872X	-	-	-	-	-	-
	Satin Beadlock/ Black Wheel - Slash Front	5886	-	-	5885	-	-	-
	Satin Beadlock/ Black Wheel - Slash Rear or Slash 4x4 Front/Rear	5884	-	-	5883	-	-	-
	Blue Beadlock/ Black Wheel - Slash Front	5886A	-	-	5885A	-	-	-
Blue Beadlock/ Black Wheel - Slash Rear or Slash 4x4 Front/Rear	5884A	-	-	5883A	-	-	-	

* Wheels and/or tires sold in pairs

SLASH

Transmission Assembly

BRUSHLESS



- 4686 - 86T
- 4676 - 76T opt.
- 4683 - 83T opt.
- 4690 - 90T opt.

REV 150522-R01



See Parts List for a complete listing of optional accessories.

Specifications on this page are subject to change without notice. Every attempt has been made to ensure the accuracy of this drawing, however Traxxas cannot be held responsible for typographical or other errors.