



Racks for Truck Caps & Shells

Extremely quick and easy mounting

Installation Guide

SKU 29200

CapRac's unique design allows users to securely mount loads to the roof of their truck cap.

NOTE: Layout brackets with crossbar, prior to drilling, to confirm fit.

- ① • Loosely assemble rack corners to swivel brackets.
- ② • Loosely assemble crossbars to rack corners.
- ③ • Place corners with crossbars onto truck cap.
 - Align and position
 - Mark holes.
 - Drill holes in cap for 5/16" bolts.

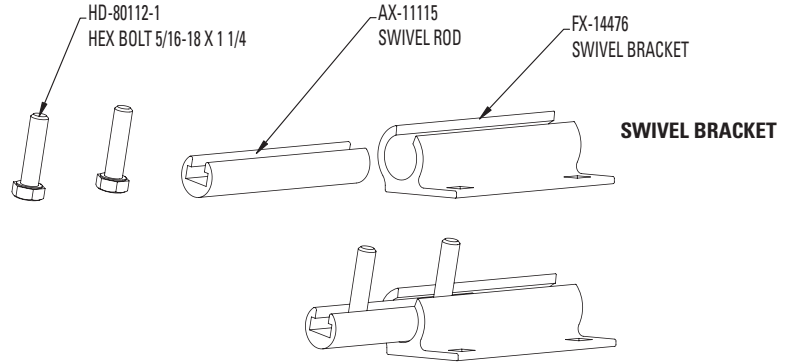
Installation cont. page 2

Tools Required:

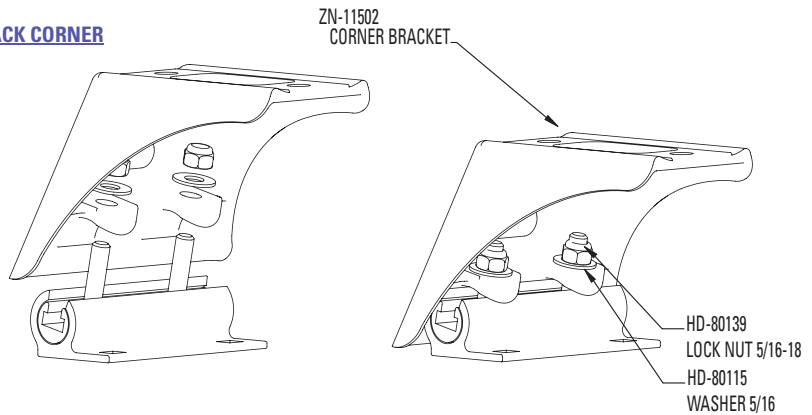
- 9/16" wrench
- 1/2" wrench
- 3/8" drill bit
- Electric drill

①

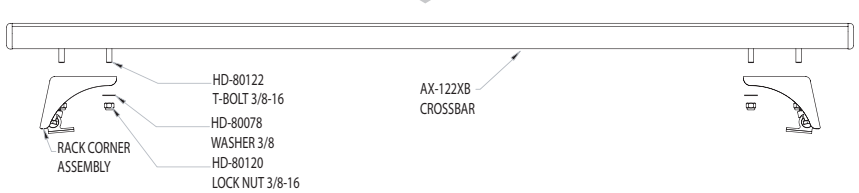
CapRac Assembly Instructions



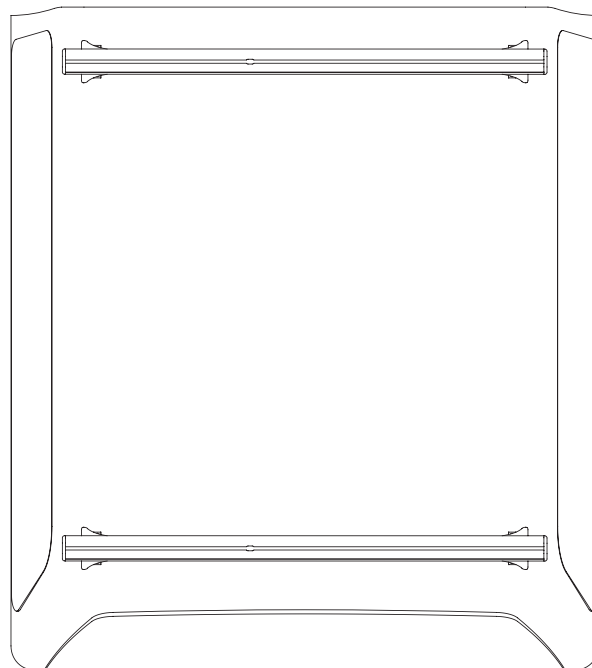
RACK CORNER



②



③



CapRac Assembly Instructions

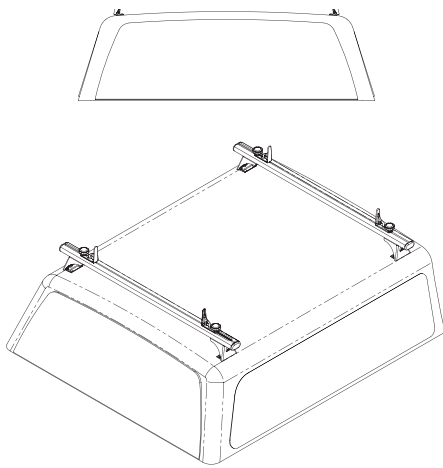
cont. from pg. 1

- ④ • Assemble swivel brackets, gasket, backing plate and fasteners to truck cap.

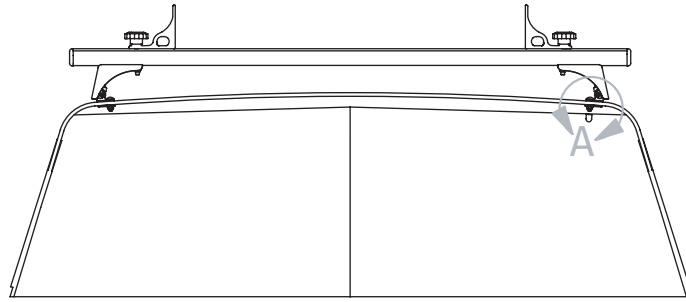
- ⑤ Tighten all fasteners.

- Crossbars to corner brackets with 9/16" wrench.
- Swivel brackets to truck cap with 1/2" wrench.
- Corner brackets to swivel bracket with 1/2" wrench.

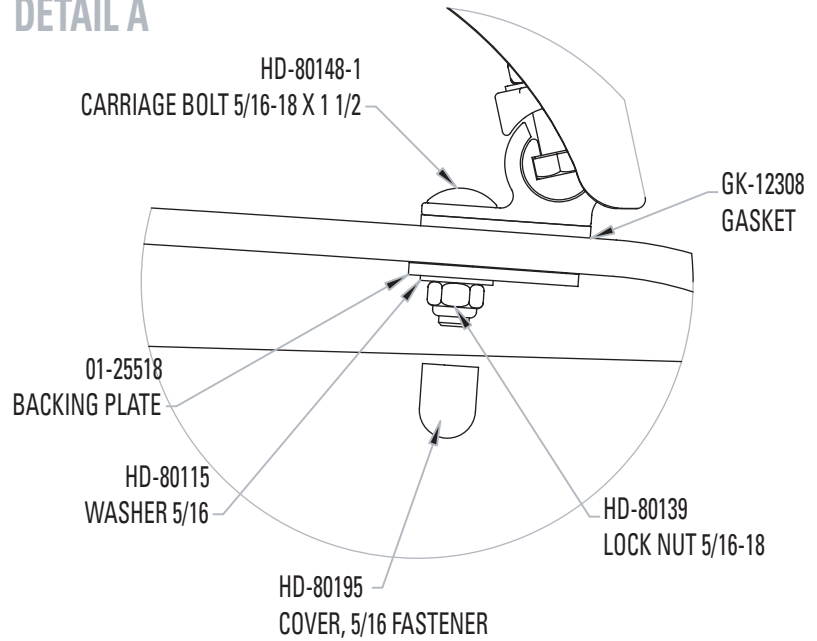
- ⑥ Install Crossbar Tiedowns



④



DETAIL A



Parts List:

ITEM#	DESCRIPTION	QTY
ZN-11502	CORNER BRACKET	4X
FX-14476	SWIVEL BRACKET	4X
AX-11115	SWIVEL ROD	4X
GK-12308	GASKET	4X
01-25518	BACKING PLATE	4X
HD-80112-1	HEX BOLT 5/16-18	8X
HD-80115	WASHER 5/16	12X
HD-80139	LOCK NUT 5/16-18	12X
HD-80148-	CARRIAGE BOLT 5/16-18	8X
AX-122XB	CROSSBAR	2X
10-25111	CROSSBAR TIEDOWN	4X
KB-90004	KNOB 3/8-16	4X
HD-80122	T-BOLT, 3/8-16	12X
HD-11020	LOCK NUT 3/8-16	8X
HD-80078	WASHER 3/8	8X
HD-80185	COVER 5/16 FASTENER	8X

10-25111

CROSSBAR TIEDOWN

KB-90004

KNOB 3/8-16

HD-80122

T-BOLT 3/8-16

AX-122XB

CROSSBAR

⑥

