

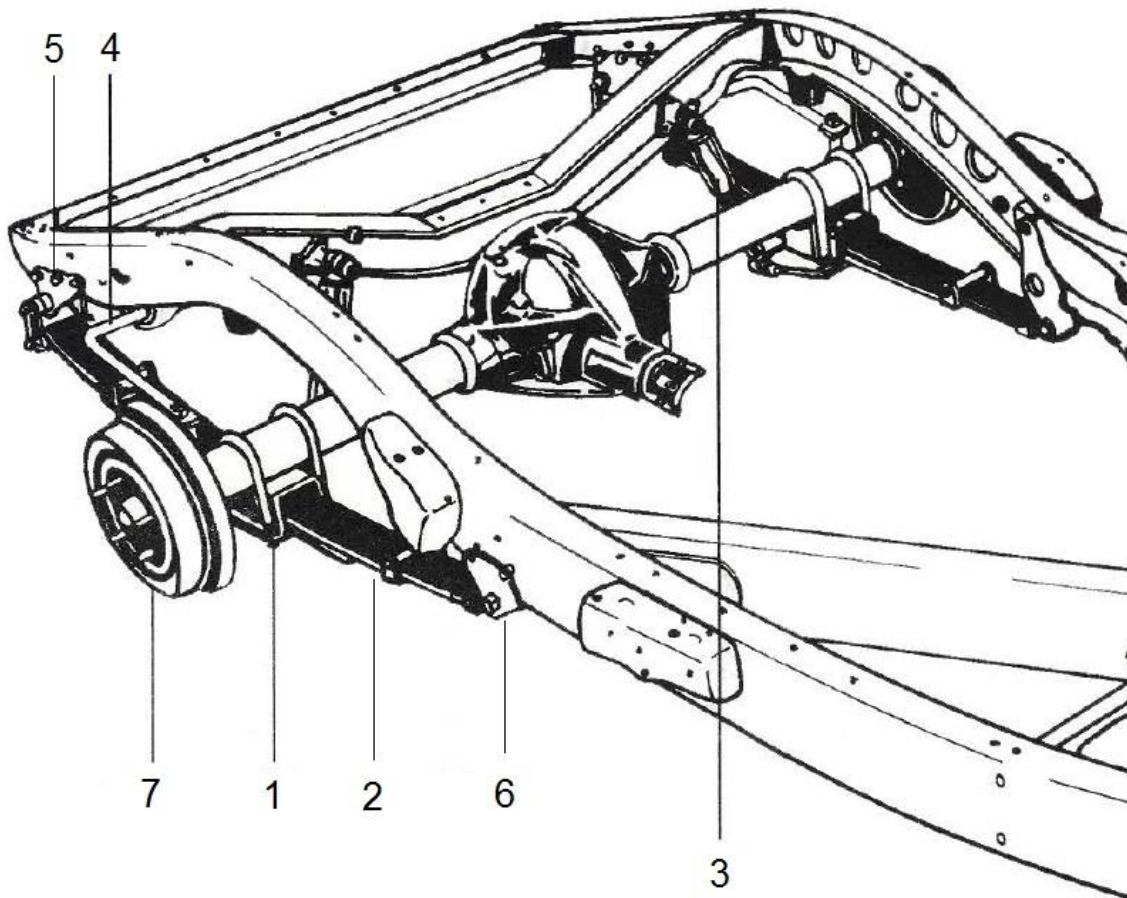


1935-1940 Ford Car & 1935-1941 Ford Truck Leaf Spring Rear Suspension

Read and understand these instructions before starting any work!
USE THE PARTS LIST BELOW TO MAKE SURE YOUR KIT IS COMPLETE BEFORE INSTALLATION.

1935-1940 Ford Car & 1935-1941 Ford Truck Rear Leaf Spring Parts Description

Part#: 404-4610-00



#1 Leaf Spring mounting kit includes: U-bolts, leaf pads, 5-hole spring plates with lower shock mount and hardware

#2 Leaf Springs: 48" center to center multi-leaf springs

#3 Leaf Spring Shock kit: 3-hole upper shock mount (pair), shocks (pair) and hardware

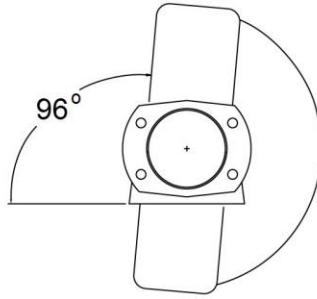
#4 Leaf Spring anti-sway bar: *No Longer Available*

#5 Leaf Spring rear shackle & mount: Frame brackets (pair), shackles with polyurethane bushings (set) and hardware

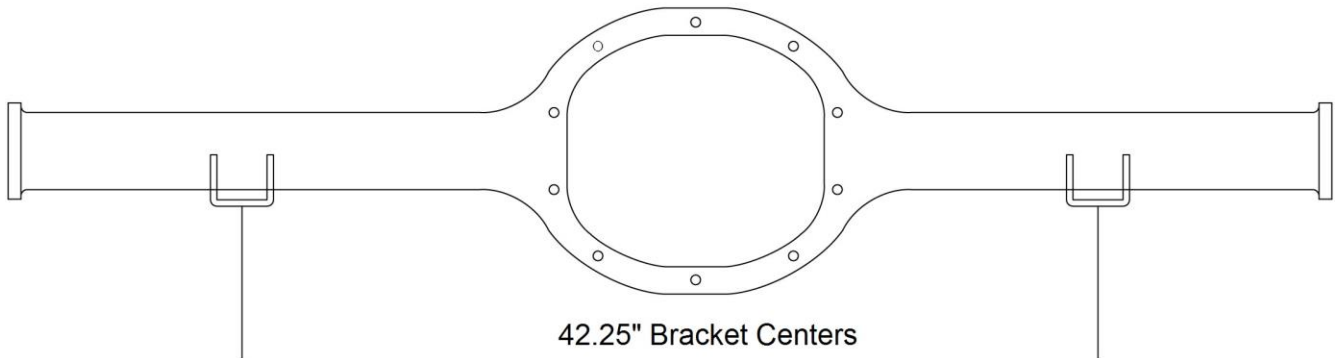
#6 Leaf Spring frame hangers: Front frame mounting brackets (pair) with hardware

#7 Leaf Spring rear axle assembly: *optional*

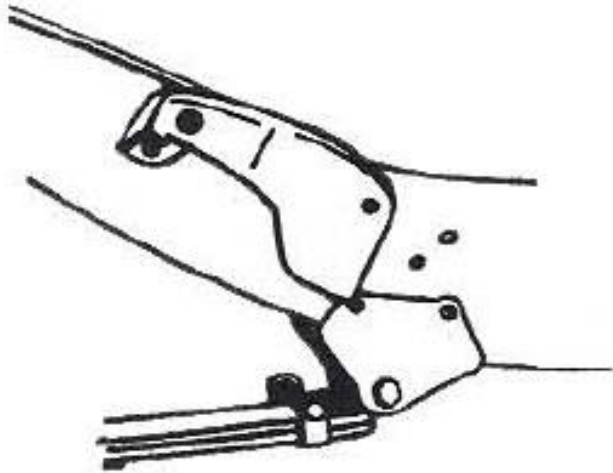
Installing the leaf pads: 6 degrees up @ 42.25" bracket centers



ROTATE PINION 6 DEGREES UP
USING SPRING PAD AS 0 DEGREE REFERENCE



42.25" Bracket Centers



Installing the front leaf spring mounts:

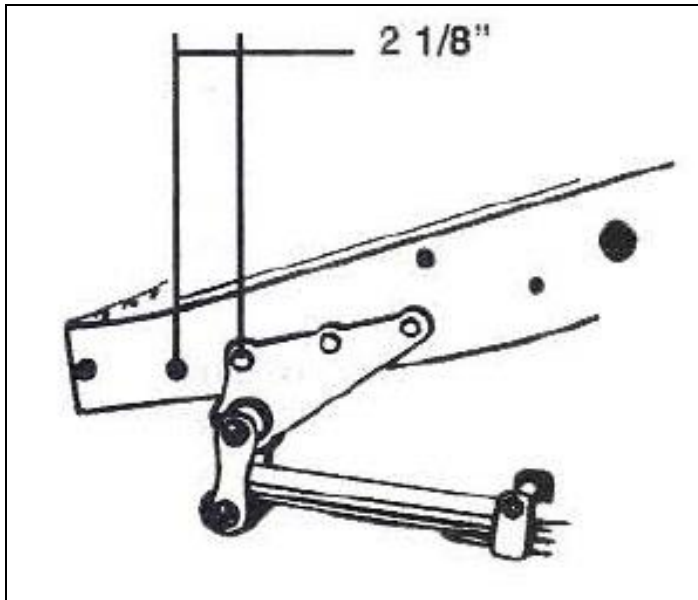
The front leaf hanger brackets are mounted into existing holes on the frame. You will need to remove the rivet heads and drill out the holes to 3/8". Drill new holes for remaining hardware and install.

NOTE Passenger side shown



Here is an inside view of the front leaf hanger bracket.

NOTE Driver side shown



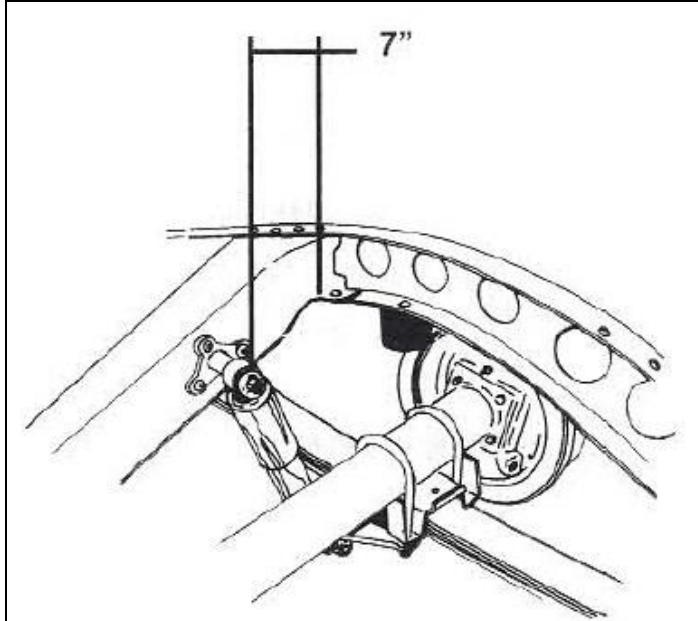
Installing the rear shackle bracket:

Install the shackle frame brackets 2.125" forward of the bumper bracket hole (center to center of the bolt holes)

NOTE Passenger side shown



NOTE Leave the leaf spring disconnected from this attachment point at this time.



Installing the upper shock bracket:

The center of the shock bolt hole is 7" inboard of the inner lip of the frame. To determine the height of the bracket just center the three bolt holes (top to bottom) on the crossmember. (*see next 2 images)

NOTE Driver side shown



NOTE Driver side shown



Rear view of the upper shock mount



Installing the 5-hole plates:

With the rear portion of the leaf spring disconnected from the shackles maneuver the rear axle into position. The leaf springs have a center locating bolt that will coincide with the 5-hole plate. Install the u-bolts over the axle tube and connect the $\frac{1}{2}$ "-20 nuts with washers.

NOTE Passenger side shown



Installing the rear shackles:

Install the provided polyurethane bushings into the leaf springs. Install the provided machined studs into the bushings and place the dogbones onto the stud.



Installing the lower shock bolts:

Place a jack under the rear axle and lift it up into position. Connect the shock to the 5-hole plate using the provided shock studs.

Install the dogbones onto the rear frame shackle brackets.

NOTE

Reinstall the driveshaft, brake lines, wheels etc and drop the vehicle down onto its full weight. Double check all hardware and enjoy.

Replacement parts:

Shocks = Monroe Part# 33121 (2 needed)

Shackle bushings = Energy suspension part# 2866.01 (8 needed)

No returns or exchanges without a RMA#.

Packages must be inspected upon receipt & be reported within 10 days.

If you are missing parts from your kit, TCI Engineering will send the missing parts via FedEx or U.S. mail ground.

Returned packages are subject to inspection before replacement/refund is given

(Some items will be subject to a 15% restocking fee)

Thank you for your business!

