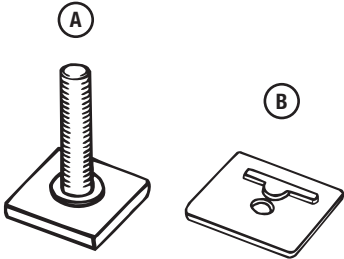


## PARTS NEEDED

part	description	part number	qty.
A	25mm T-bolt	853-2089-09	3
B	Spacer	853-2333	3



**BIKE:** Follow these instructions in conjunction with the 599xt Ultimate Upright Bike Carrier for mounting onto a Volkswagen Jetta Trek or Golf K2 roof rack or Thule Xsporter truck rack.

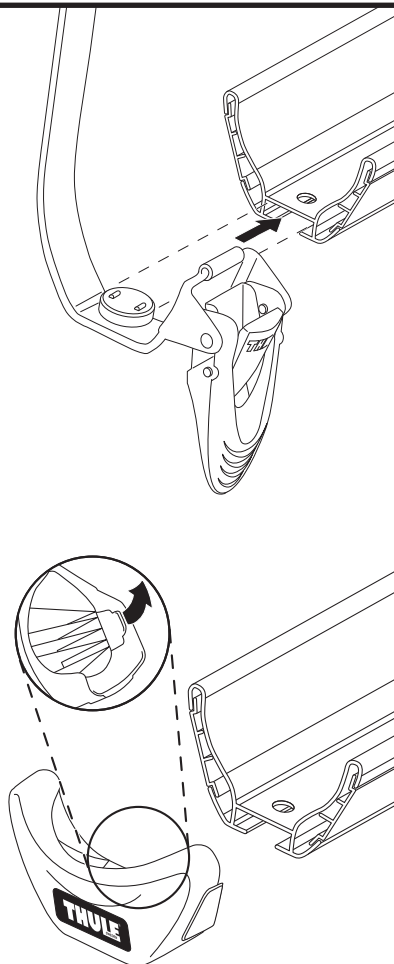
# 1

- Slide strap into tray channel.

- Buckle on same side as lock.

- Flex tab up

- Slide end cap on.

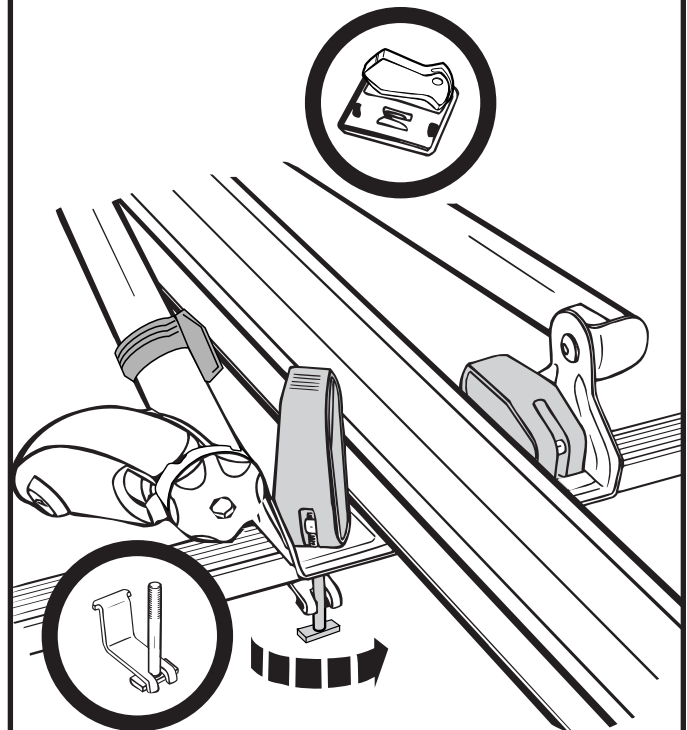


**NOTE:** Encaps must be installed to retain side panels.

# 2

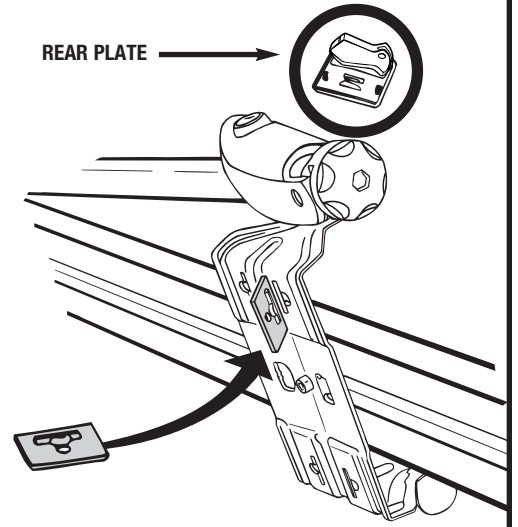
- Remove L Clamps and T-bolts from Carrier.

REAR PLATE /



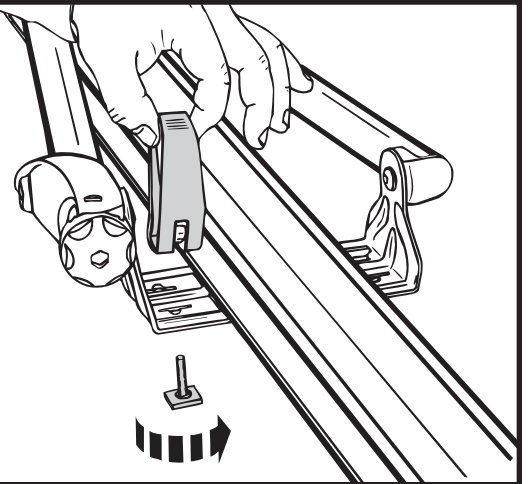
**3**

- Snap protective spacers into the forward holes in the downtube holder mounting plate and the rear mounting plate as shown.



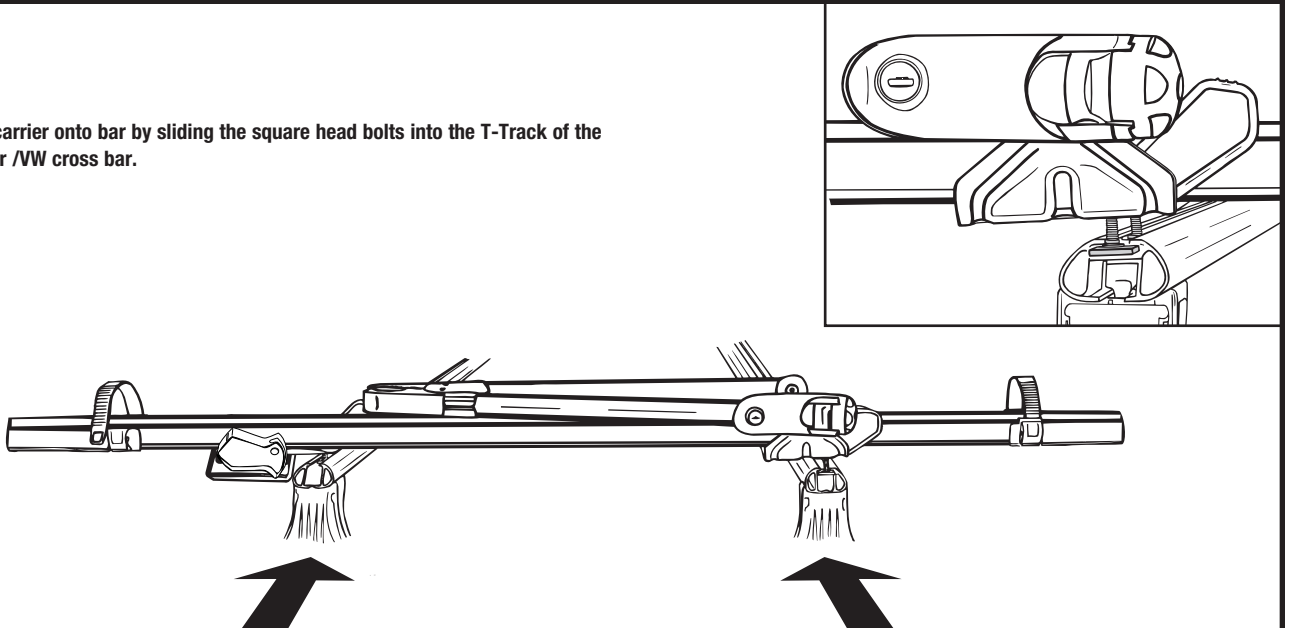
**4**

- Thread square head bolts onto mounting levers



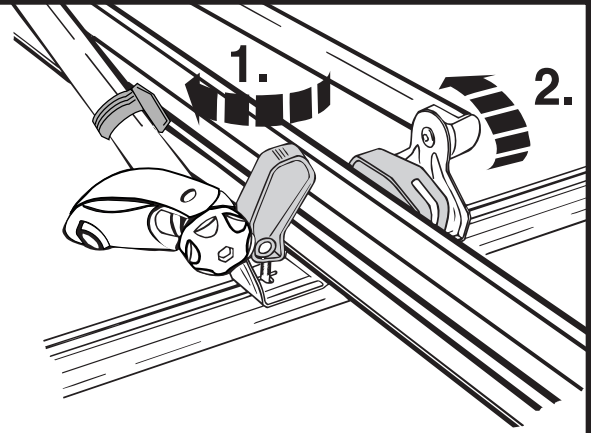
**5**

- Install carrier onto bar by sliding the square head bolts into the T-Track of the Xsporter / VW cross bar.



**6**

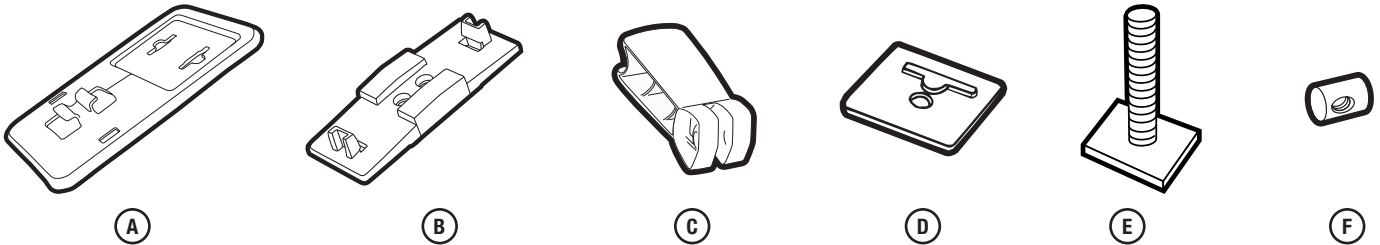
- Fasten carrier to the rack by turning the mounting lever clockwise. Close the mounting lever back down on the mounting plate. There should be firm pressure when closing the lever. If it is too tight, release tension by pulling the lever back up and turning it counter clockwise. If it is too loose, pull the lever back up and tighten clockwise.



**7**

See carrier instructions for proper bike loading guidelines.

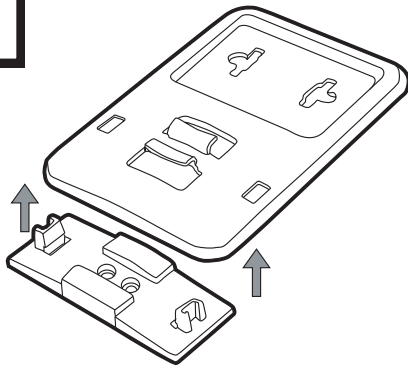
**PARTS NEEDED**



part	description	part number	qty.
A	fastener plate /	853-2081	1
B	spacer /	853-2082-02	1
C	cam handle /	853-3506	1
D	spacer /	853-2333	3
E	square head bolt /	853-2089	3
F	barrel nut /	853-0446	1

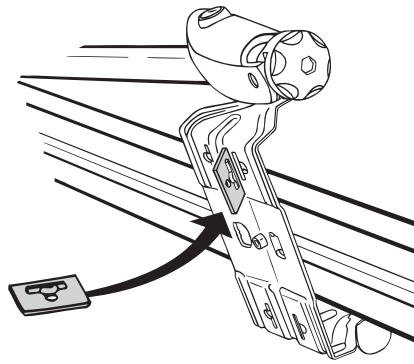
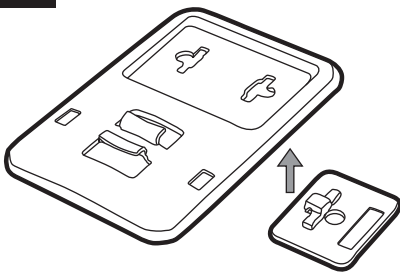
**BIKE:** Follow these instructions in conjunction with the 599xtr Ultimate Upright Bike Carrier for mounting onto a Volkswagen Jetta Trek or Golf K2 roof rack or Thule Xsporter truck rack.

1



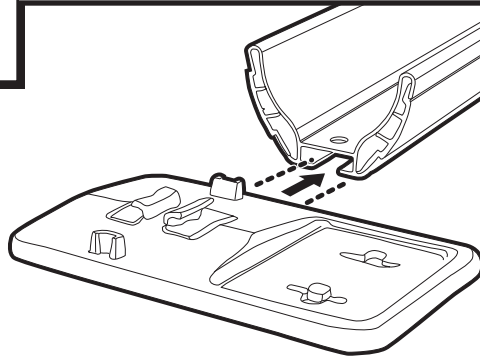
- Install large spacer into fastener plate.

2



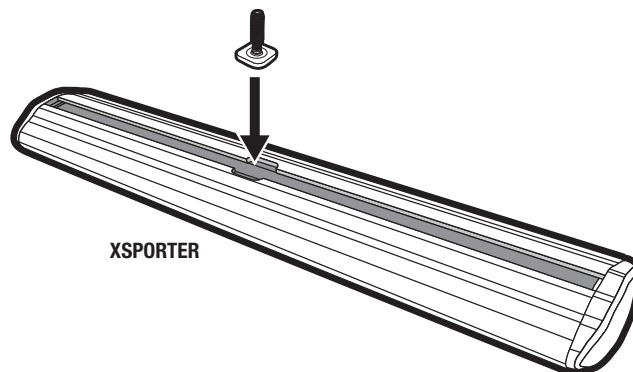
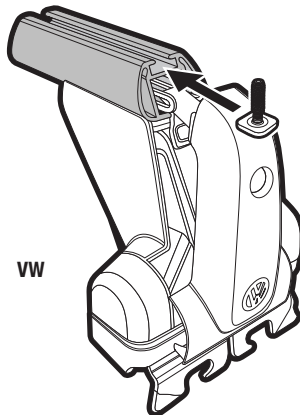
- Snap protective spacers into the forward holes in the downtube holder mounting plate and the rear mounting plate as shown.

3



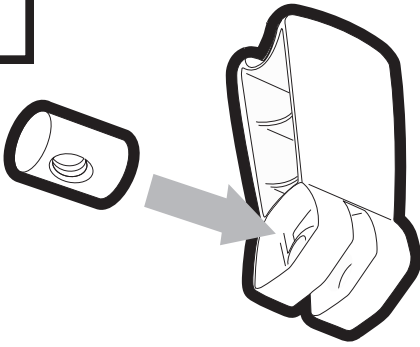
- Slide adaptor plate into rear of wheel tray.

4



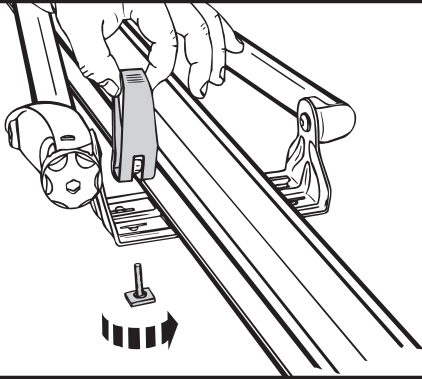
- Slide square head bolts into top of front and rear cross bar.

**5**



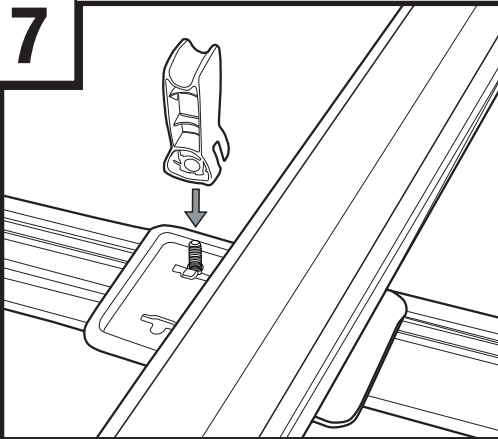
- Insert barrel nut into cam handles.

**6**



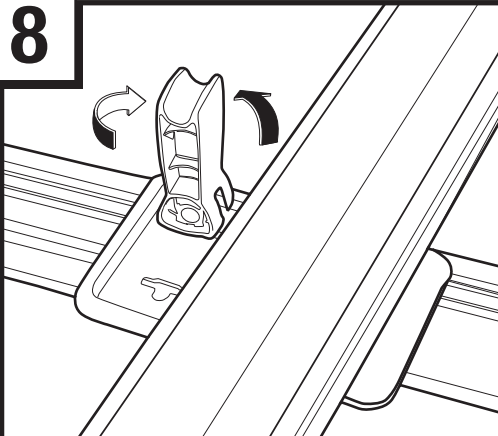
- Thread square head bolts onto mounting levers

**7**



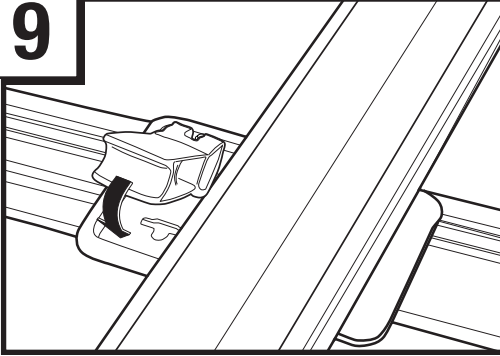
- Align adaptor plate with bolt and attach handle.

**8**



- Tighten handle with bolt and attach handle.

9

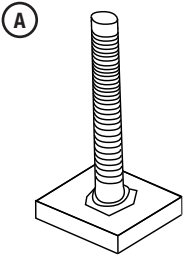


- Close handle onto plate and check security. There should be firm pressure when closing handle.

**FOLLOW BIKE CARRIER INSTRUCTIONS FOR BIKE LOADING AND UNLOADING.**

**PARTS NEEDED**

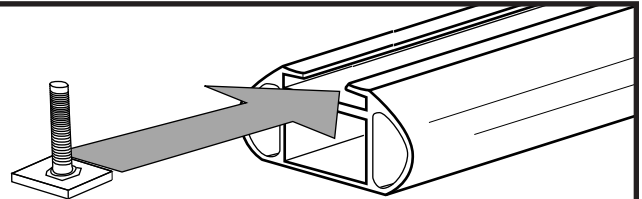
part	description	part number	qty.
A	35mm T-bolt /	753-0242-03	4



**SKI:** Follow these instructions in conjunction with the 724/725 Horizontal Ski Carrier instructions for mounting onto a Volkswagen Jetta Trek or Golf K2 rack or Thule Xsporter Truck rack.

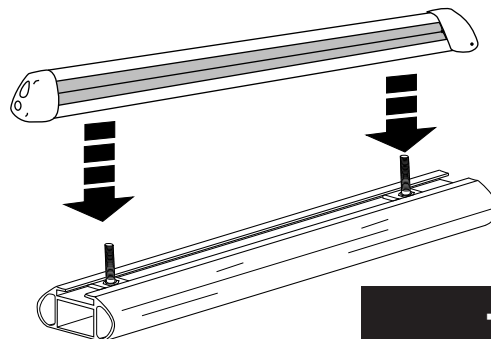
1

- Slide the appropriate T-bolts into the T-Tracks of the rack.



2

- Follow ski carrier instructions for proper tightening ski carrier to rack.



**724 / 725**