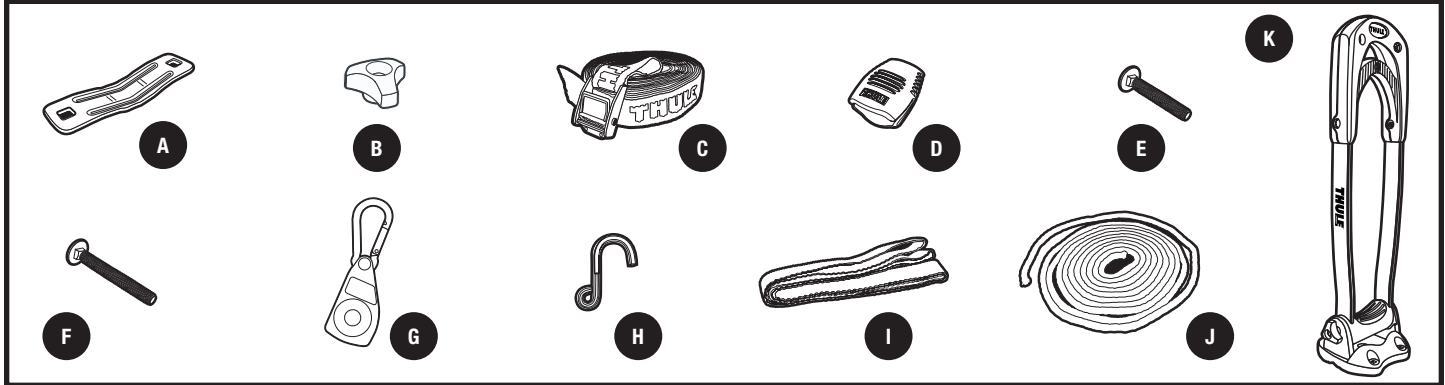


PARTS INCLUDED



part	description	part number	qty.
A	metal bracket /	853-5513	4
B	knob M6 low /	753-0783	8
C	strap /	753-2030-02	2
D	buckle bumper /	853-5593	2
E	carriage bolt M6 x 50 mm /	915-0650-31	8
F	carriage bolt M6 x 60mm /	915-0660-31	8
G	ratchet with carabineer hook /	8522883001	2
H	hook /	853-5465	2
I	attachment strap /	853-5467	2
J	1/4" rope /	853-5466	2
K	stacker assembly /	753-3247	2

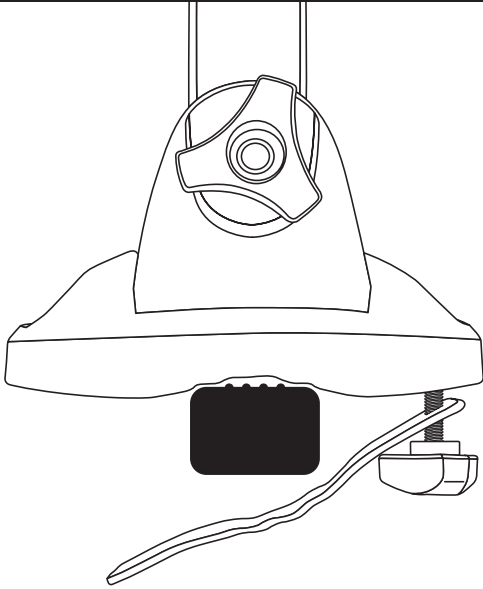
WARNINGS / LIMITATIONS

- Load bars must be at least 24" (610 mm) apart for safe use.
- Ensure that boat does not contact vehicle while loading or unloading; otherwise, damage to vehicle or boat could occur.
- Always tie down bow and stern of boat to vehicle bumpers or tow hooks.
- Do not exceed weight limitation of racks or factory installed bars.
- Ensure load carrier or factory cross bars are properly installed and tight to vehicle.
- Failure to follow above guidelines voids warranty.
- Not compatible with fiberglass boats.

1

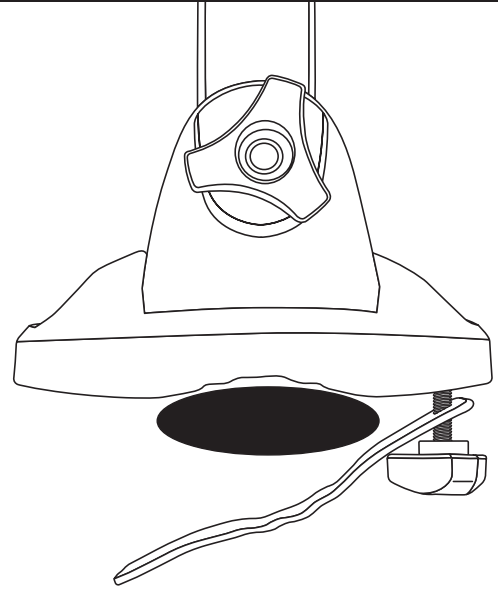
FOR USE ON AFTERMARKET ROOF RACKS

FOR USE ON VEHICLES WITH FACTORY RACKS



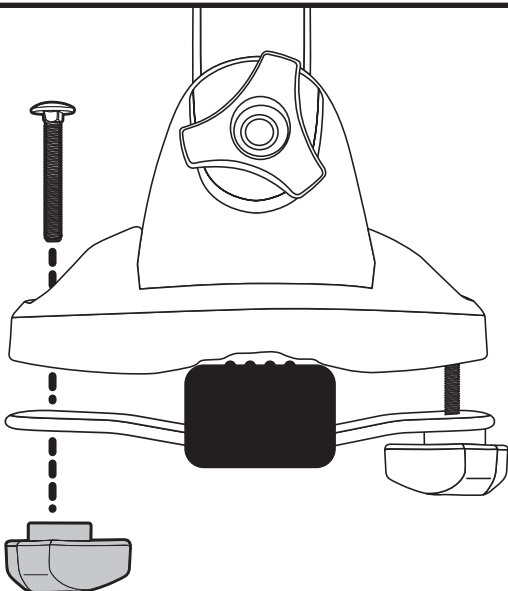
- Thule square and Xsporter load bar and Yakima round load bar.
- Loosely attach 60mm carriage bolts (F) and knobs (B) as shown.

OR
OU
O



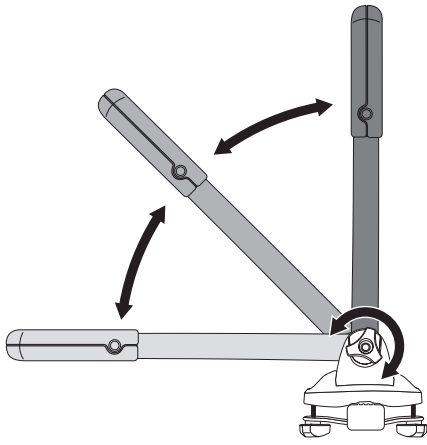
- Look up your vehicle in the included Hardware Fit Guide. Identify the proper bolt length for your vehicle.
- Loosely attach carriage bolts and knobs (B) as shown.

2



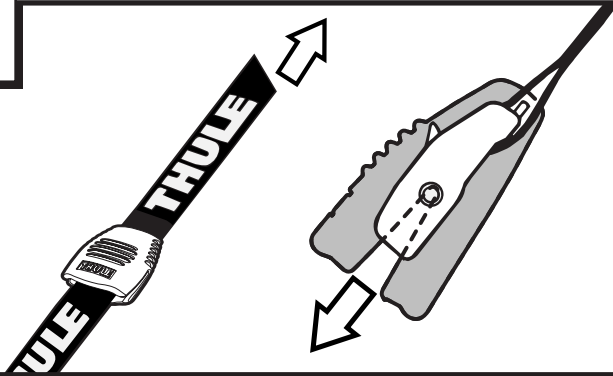
- Place carrier on bars and loosely attach bolt and knob as shown.
- Load bars must be at least 24" (610mm) apart for safe use.
- Tighten all knobs firmly and evenly.

3



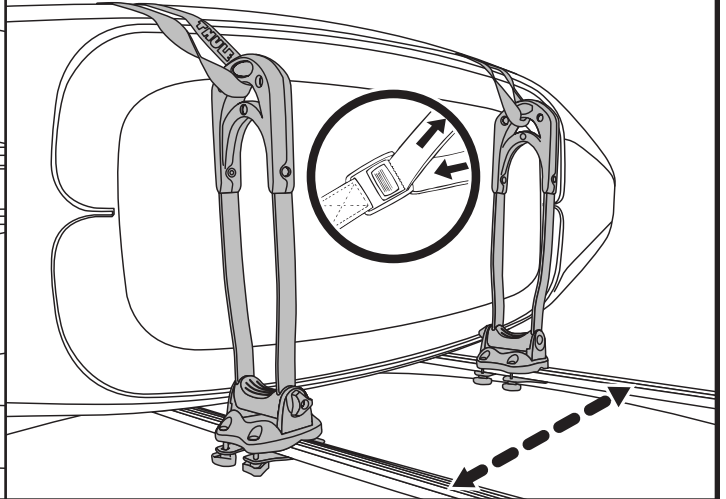
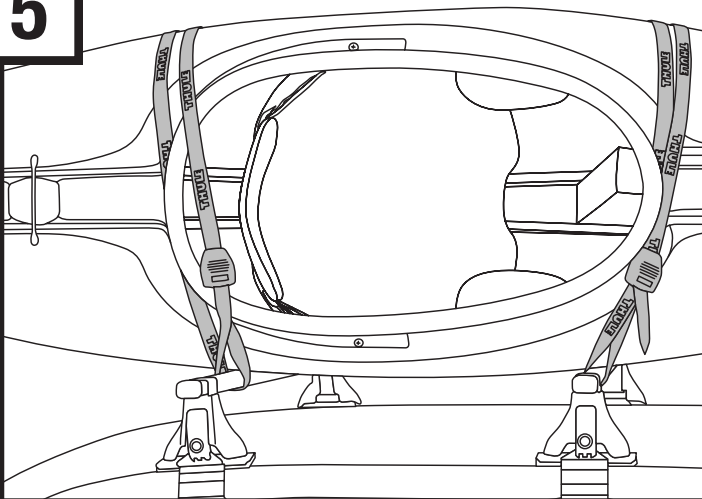
- Adjust stacker to upright position.
- Tighten side knob.
- Loosen knob to fold down when not in use.

4

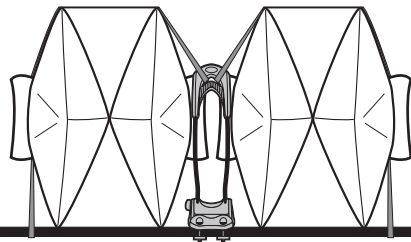


- Route free end of strap, with logo side up, through the Buckle Bumper as shown. Pull Buckle Bumper over buckle to protect boat and vehicle while strapping down boat.

5



- Upon use, periodically check that the load is tied down firmly. Cinch strap through buckle tightly. Position strap away from all areas with exposed sharp edge.

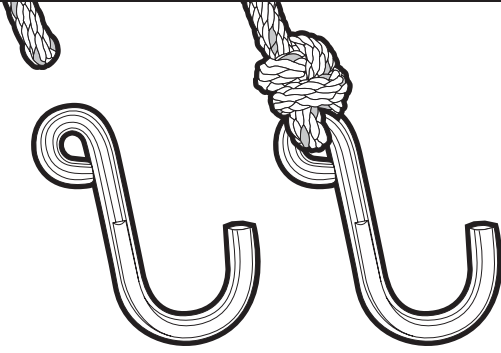


Max load: 4 kayaks.

Additional straps required

6

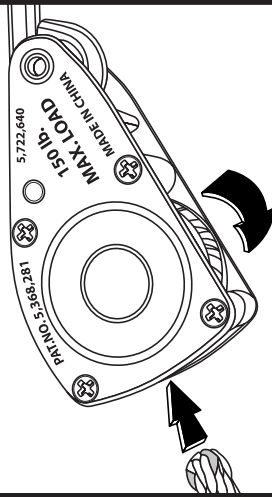
BOW / STERN TIE DOWN /



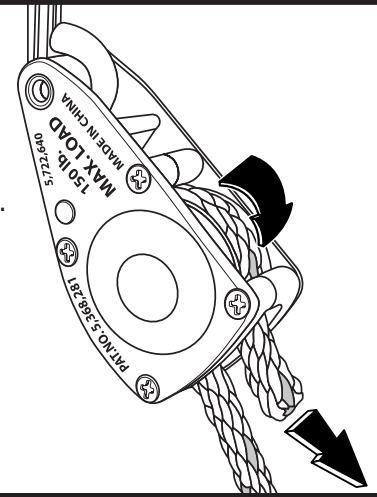
- Carefully attach hook to end of rope.

7

- Feed end of rope up through the bottom while rotating the spool clockwise.

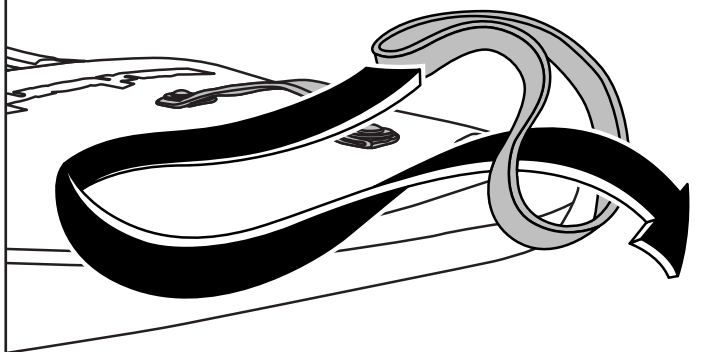
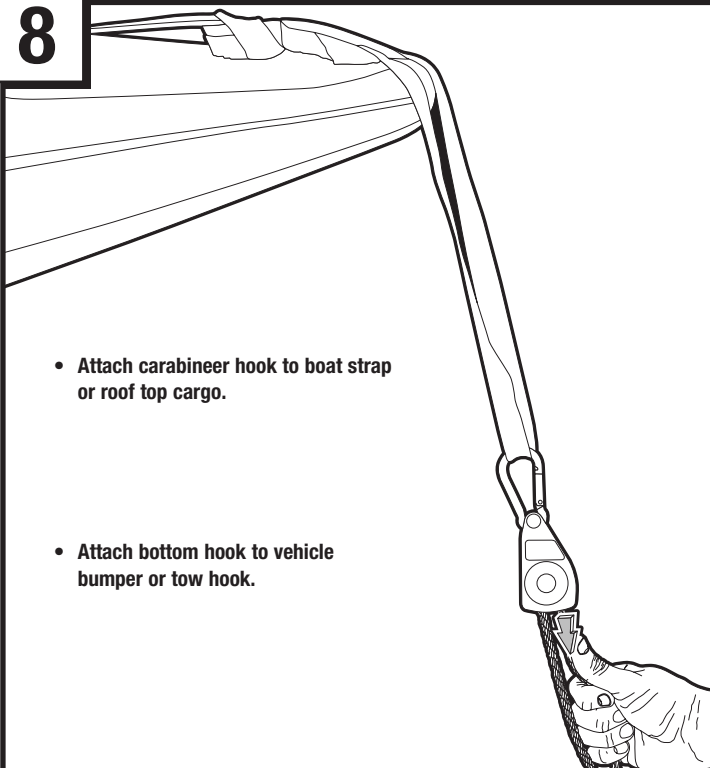


- Keep rotating the spool until rope exits at the bottom.



8

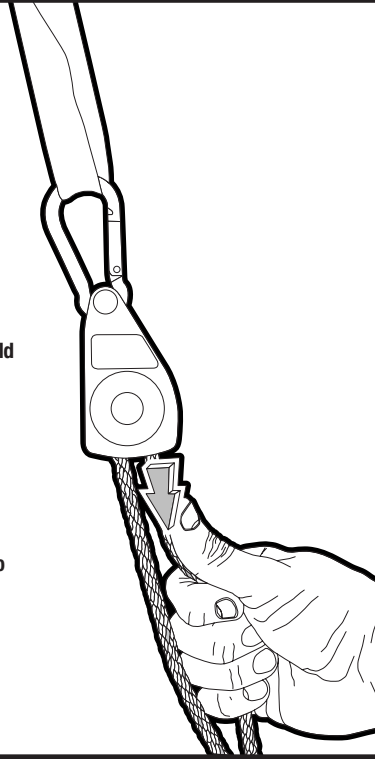
- Attach carabineer hook to boat strap or roof top cargo.
- Attach bottom hook to vehicle bumper or tow hook.



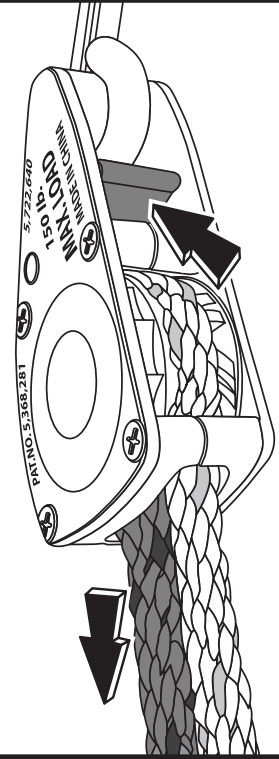
- Use attachment strap for better load clearance, if necessary.

9

- Pull free end of rope until desired tightness is reached.
- Do not over tighten as this could deform boat.
- Each tie down will secure up to two kayaks.



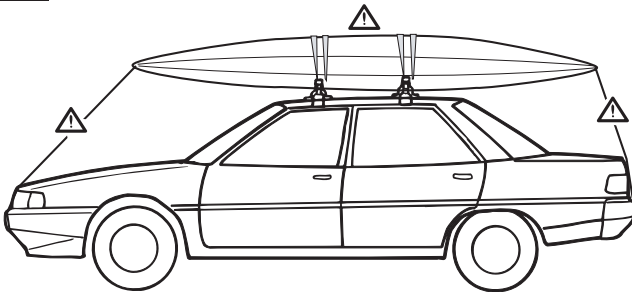
- To release, press lever located above ratchet spool.



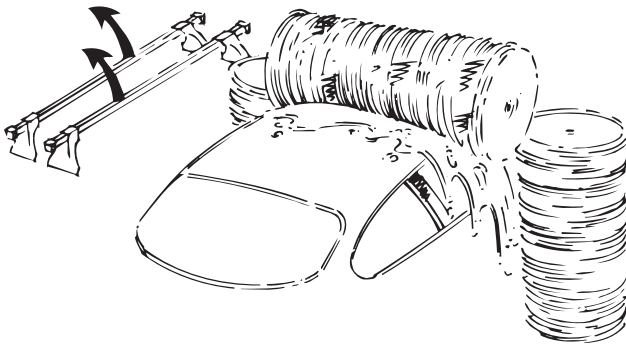
WARNING:

Do not exceed load 150lb. limit of QuickDraw. Inspect rope and ratchet before each use. Do NOT use if damaged. Avoid sharp edges, pinch points, abrasive or hot surfaces.

10



- Be sure to tie down bow & stern of boat to vehicle bumpers or tow hooks.



- Always remove the load carrier before putting the vehicle through a car-wash.