



THETFORD

ELECTRA MAGIC[®]

**RV and Marine
Recirculating Toilets**



Because We Take Your Leisure Seriously

Electrical Hookup

RV and Marine Models

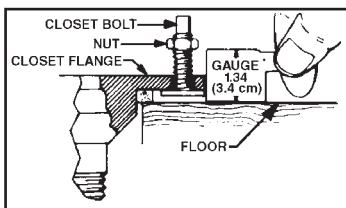
Connect your 12-Volt or 24-Volt model Electra Magic directly to the appropriate D.C. source as a separate circuit. Use minimum size #14 gauge wire. (Black wire to positive [hot], white to negative [ground].)

Important – Be sure polarity of power supply has been properly determined and correctly connected to lead wires before operating.

Installation

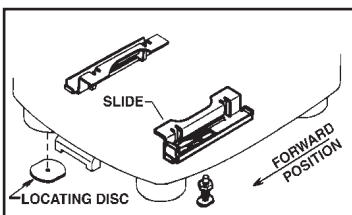
RV Model

1. Install the two closet bolts in closet flange.
2. While holding bolt up so the head touches underside of closet flange, install one nut on each bolt and screw



nuts down until they touch top of gauge. If gauge is misplaced, bottom surface of nuts should be 1.34 in. (3.4 cm) above floor.

3. Turn the toilet upside-down and install closet flange seal on Slide-EZ Valve with flat side against toilet.



4. Make sure white fork-shaped slides are in forward position.

5. Place unit on closet flange and locate position for plastic locator disc by tracing around one of the front legs. Drill 5/32" dia. hole in floor and fasten disc to floor with flat sides oriented as shown. Use #10 screw provided.

Important: This disc prevents toilet from moving on floor.

6. Lower toilet onto closet flange until nuts on closet bolts go through rectangular holes in metal brackets, seal rests on closet flange, and leg locates over locating disc.

Electrical Hookup

RV and Marine Models

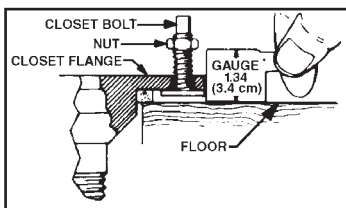
Connect your 12-Volt or 24-Volt model Electra Magic directly to the appropriate D.C. source as a separate circuit. Use minimum size #14 gauge wire. (Black wire to positive [hot], white to negative [ground].)

Important – Be sure polarity of power supply has been properly determined and correctly connected to lead wires before operating.

Installation

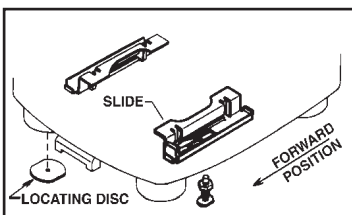
RV Model

1. Install the two closet bolts in closet flange.
2. While holding bolt up so the head touches underside of closet flange, install one nut on each bolt and screw



nuts down until they touch top of gauge. If gauge is misplaced, bottom surface of nuts should be 1.34 in. (3.4 cm) above floor.

3. Turn the toilet upside-down and install closet flange seal on Slide-EZ Valve with flat side against toilet.



4. Make sure white fork-shaped slides are in forward position.

5. Place unit on closet flange and locate position for plastic locator disc by tracing around one of the front legs. Drill 5/32" dia. hole in floor and fasten disc to floor with flat sides oriented as shown. Use #10 screw provided.

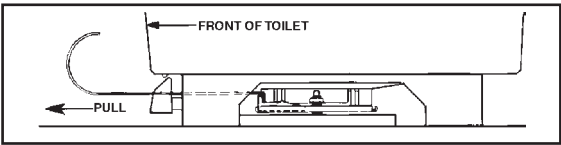
Important: This disc prevents toilet from moving on floor.

6. Lower toilet onto closet flange until nuts on closet bolts go through rectangular holes in metal brackets, seal rests on closet flange, and leg locates over locating disc.

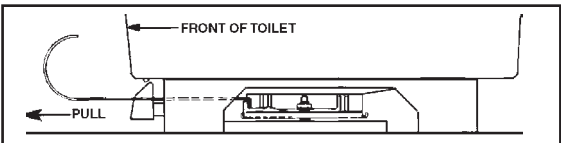
Installation Continued

RV and Marine Models

7. Insert a screwdriver or other long rigid instrument under toilet. With a sharp blow drive each slide back until it slides under nut and snaps into position.



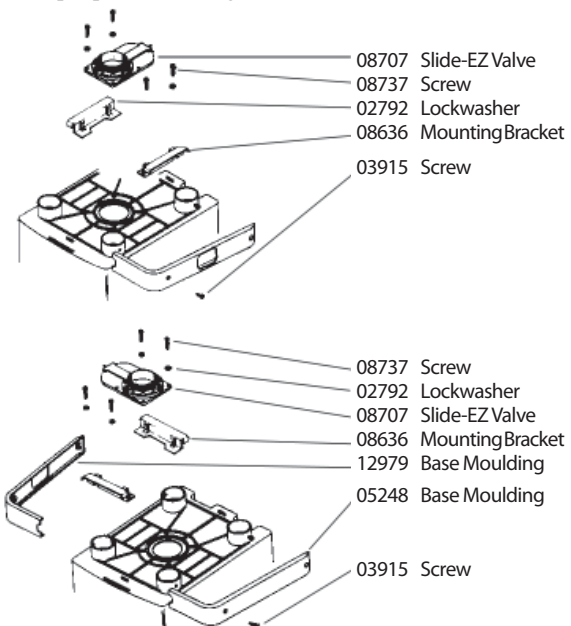
8. If slides cannot be driven by one or two blows, remove toilet and adjust each nut one-half turn upward and repeat procedure from Step 6.
9. If toilet wobbles excessively, remove slides by catching tabs with a hooked instrument and pulling forward, as shown below. Lift toilet off, adjust each nut one-half turn downward and repeat procedure from Step 6.



Extension Handle Valve

Toilet Model 24320 Only

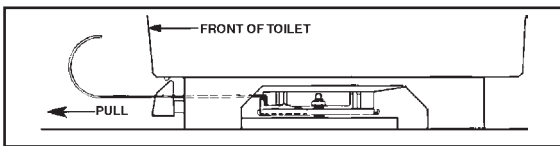
Multiple positions using extension handle valve:



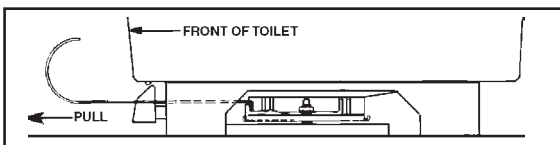
Installation Continued

RV and Marine Models

7. Insert a screwdriver or other long rigid instrument under toilet. With a sharp blow drive each slide back until it slides under nut and snaps into position.



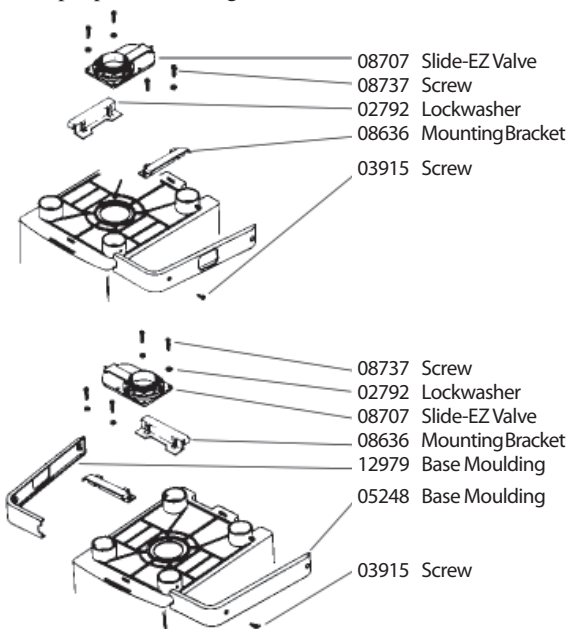
8. If slides cannot be driven by one or two blows, remove toilet and adjust each nut one-half turn upward and repeat procedure from Step 6.
9. If toilet wobbles excessively, remove slides by catching tabs with a hooked instrument and pulling forward, as shown below. Lift toilet off, adjust each nut one-half turn downward and repeat procedure from Step 6.



Extension Handle Valve

Toilet Model 24320 Only

Multiple positions using extension handle valve:

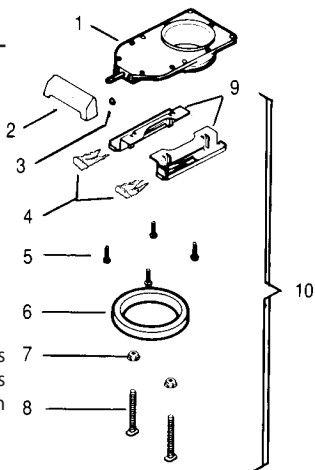


RV Slide-EZ Valve

Key Part

No.	No.	Description
1	12836	Slide-EZ Valve
2	03911	Handle*
3	03913	Retaining Ring
4	08637	Slides (2)
5	08737	Screw (4)
6	24304	Flange Seal
7	02690	Nut (2)
8	12525	Closet Bolt (2)
9	08636	Mtg. Bracket (2)
10	12838	Mounting Package (comprised of Key Parts 4-9)

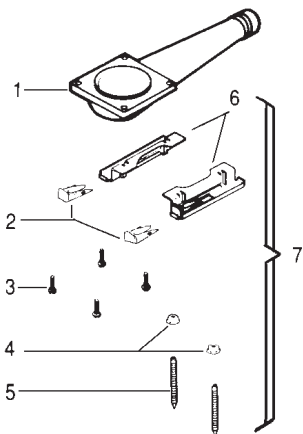
Note: Slide-EZ Valve No. 03632 is used on pre-1978 toilets. Toilets manufactured in 1978 or later use an ABS-Slide EZ Valve No. 12836.



Marine Discharge

Key Part

No.	No.	Description
1	03940	Sump Assy.
2	08637	Slides (2)
3	01663	Screw (4)
4	12984	Acorn Nut (2)
5	12983	Bolt (2)
6	08636	Mtg. Bracket (2)
7	05063	Mounting Package (comprised of Key Parts 2-6)

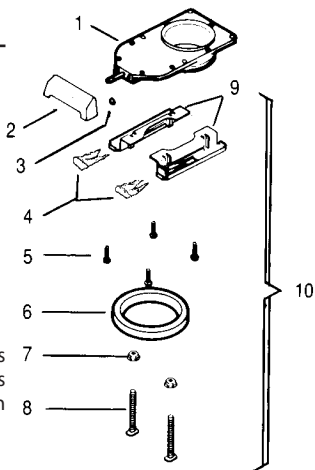


RV Slide-EZ Valve

Key Part

No.	No.	Description
1	12836	Slide-EZ Valve
2	03911	Handle*
3	03913	Retaining Ring
4	08637	Slides (2)
5	08737	Screw (4)
6	24304	Flange Seal
7	02690	Nut (2)
8	12525	Closet Bolt (2)
9	08636	Mtg. Bracket (2)
10	12838	Mounting Package (comprised of Key Parts 4-9)

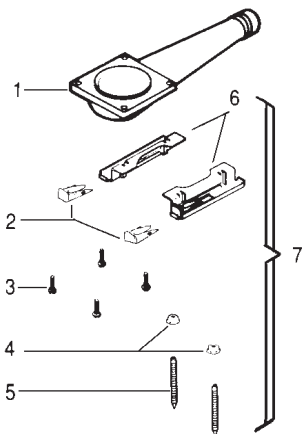
Note: Slide-EZ Valve No. 03632 is used on pre-1978 toilets. Toilets manufactured in 1978 or later use an ABS-Slide EZ Valve No. 12836.



Marine Discharge

Key Part

No.	No.	Description
1	03940	Sump Assy.
2	08637	Slides (2)
3	01663	Screw (4)
4	12984	Acorn Nut (2)
5	12983	Bolt (2)
6	08636	Mtg. Bracket (2)
7	05063	Mounting Package (comprised of Key Parts 2-6)



Accessories



REFILL PKG. #03947

Chrome-plated refill adapter connects Electra Magic directly to vehicle or vessels demand water supply. Opening refill valve allows easy toilet recharging and cleaning. Eliminates need for manually adding recharge water.



VENT KIT #05223

(Included in Model #24330)

Provides extra venting to reduce odors. Primarily for marine use.

Accessories



REFILL PKG. #03947

Chrome-plated refill adapter connects Electra Magic directly to vehicle or vessels demand water supply. Opening refill valve allows easy toilet recharging and cleaning. Eliminates need for manually adding recharge water.



VENT KIT #05223

(Included in Model #24330)

Provides extra venting to reduce odors. Primarily for marine use.