

A photograph of a modern interior space featuring dark, angular panels and recessed circular lighting. The scene is captured from a low angle, looking up at the ceiling and walls. The lighting is soft and focused, creating a clean, minimalist aesthetic. The overall color palette is dark and monochromatic, with some highlights from the recessed lights and windows.

TERRALUX

2015 PRODUCT CATALOG

TERRALUX

LED lighting solutions that are easy to install, highly reliable, and economical.

DOWNLIGHTS

FIXTURES
RETROFIT KITS



SURFACE MOUNT

RETROFIT KITS



COMPACT LINEAR

RETROFIT KITS



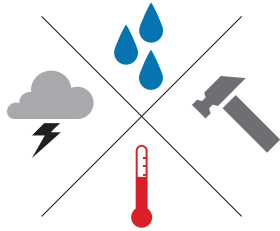
SPOT LIGHTING

TRACK FIXTURES



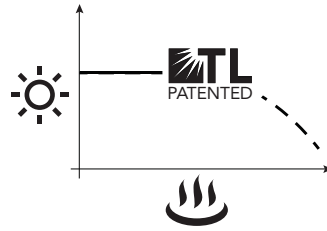
Performance

LIFETIME



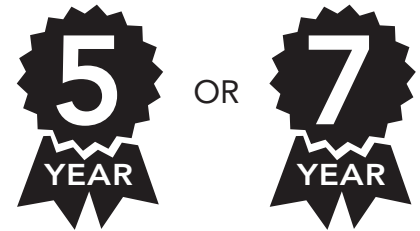
RIGOROUS TESTING

Products tested to Telecordia standards to demonstrate reliability. Mean-time between failure (MTBF) exceeds 5 million hours.



PATENTED THERMAL PROTECTION

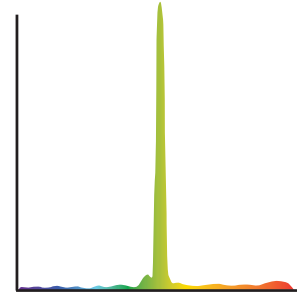
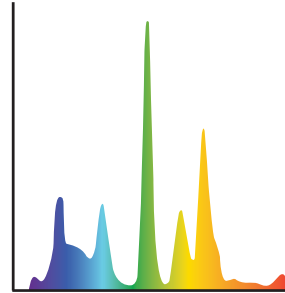
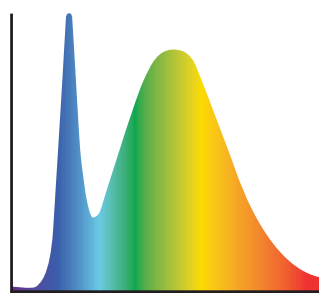
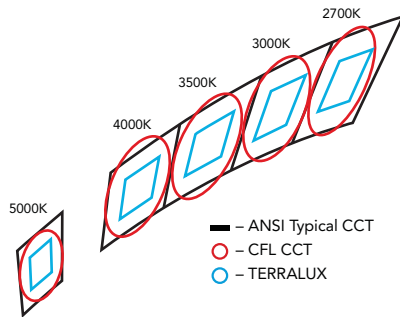
TERRALUX products integrate LM80 data into LEDSense® so the products are continuously protected against heat and last beyond L70 at 60,000 hours.



WARRANTY

5 or 7 year unlimited runtime warranty.

COLOR QUALITY



TIGHT CONSISTENCY

TERRALUX uses LEDs within a 3 MacAdam ellipse space. Every fixture looks the same.

LED FULL SPECTRUM

CFL LIMITED SPECTRUM

HID NARROW SPECTRUM

AWARDS



2013 IES PROGRESS REPORT
DECORATIVE MR16 LED LAMP



2012 IES PROGRESS REPORT
LINEAR LED ENGINES



2011 IES PROGRESS REPORT
MR16B LED ENGINE



2013 TOP 50 PRODUCTS
DECORATIVE MR16 LED LAMP



PARTNER



2014 ARCHITECTURAL SSL
PRODUCT INNOVATION AWARD
TLM-R20 PAR 20



2013 ARCHITECTURAL SSL
PRODUCT INNOVATION AWARD
MR16C LED ENGINE



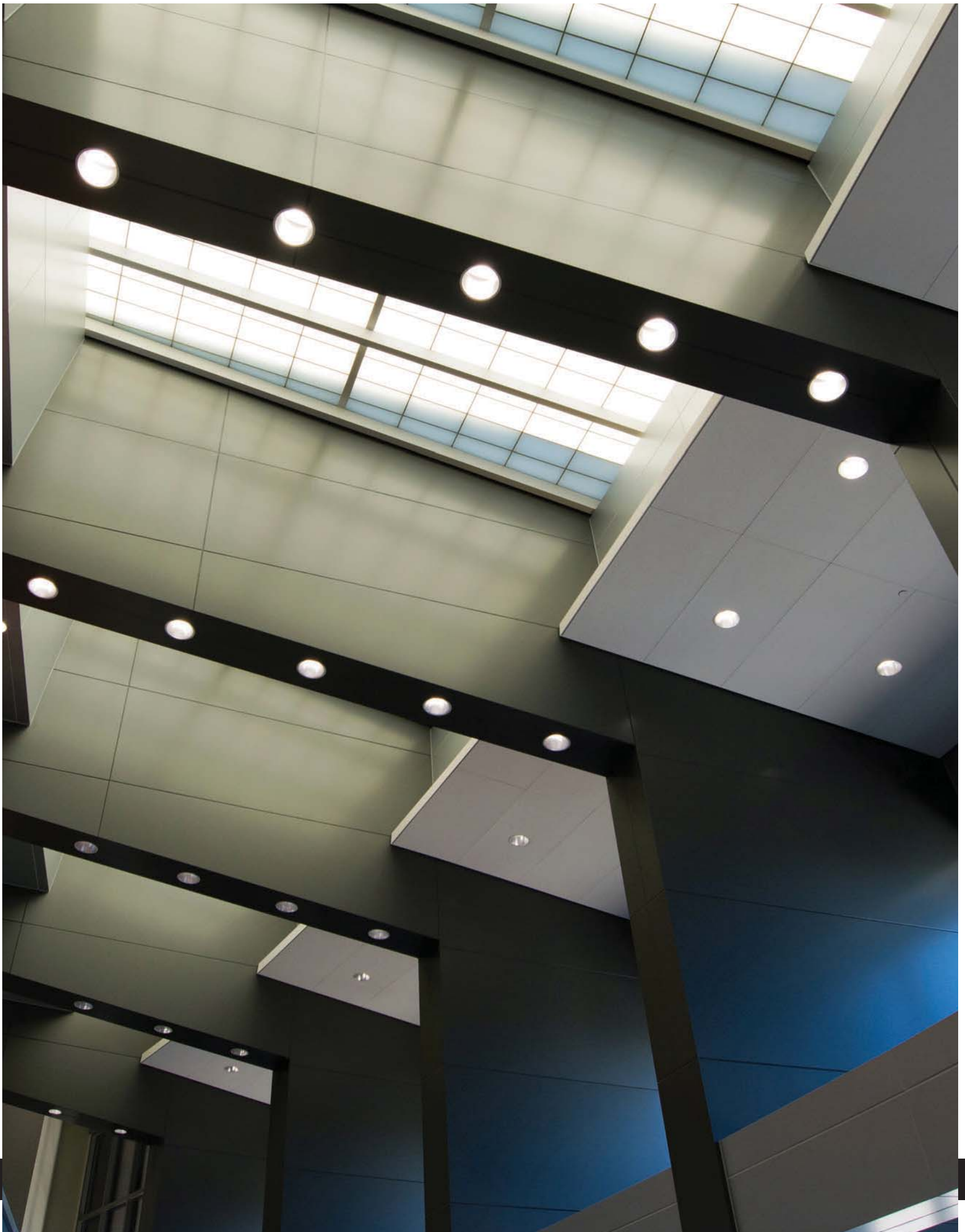
2012 ARCHITECTURAL SSL
PRODUCT INNOVATION AWARD
LINEAR LED ENGINES



2014 Business Marketing Association
(BMA) Gold Key Award
iPAD APP



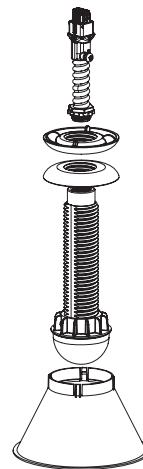
SPONSOR



LED Downlight Retrofit to replace CFLs + Ballasts

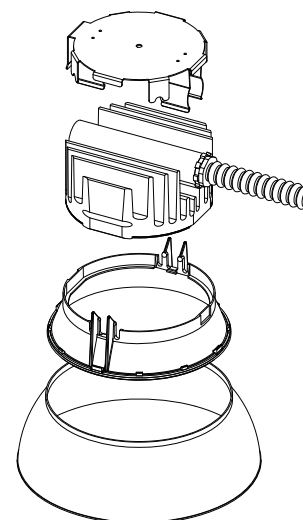
D_RV SERIES

CFL Configuration: Vertical	5"	6"	7"	8"
1x18w	984 lm	984 lm	984 lm	
1x26w	1035 lm	1035 lm	1035 lm	1035 lm
1x32w		1259 lm	1259 lm	1259 lm
1x42w		1361 lm	1361 lm	1361 lm



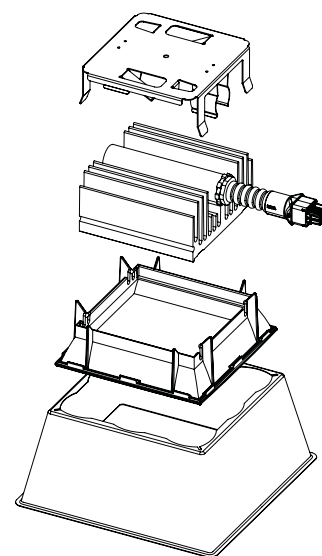
D_R SERIES – Round

CFL Configuration: Horizontal	6"	7"	8"	9"	10"
1x18w	1114 lm	1114 lm			
1x26w	1153 lm	1153 lm			
1x32w	1483 lm	1483 lm			
1x42w	1665 lm	1665 lm			
2x13w	1153 lm	1153 lm			
2x18w	1483 lm	1483 lm			
2x26w	2254 lm	2254 lm	2144 lm	2144 lm	2144 lm
2x32w			2240 lm	2240 lm	2240 lm
2x42w			2665 lm	2665 lm	2665 lm



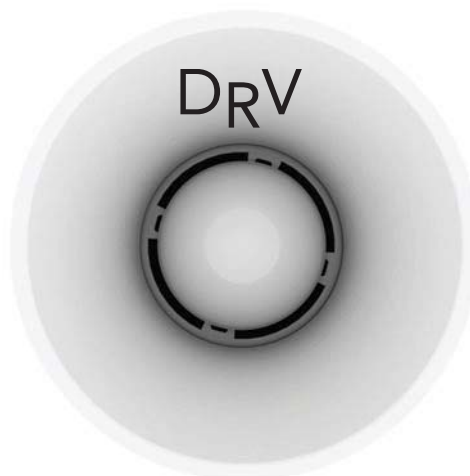
D_R SERIES – Square

CFL Configuration: Horizontal	8"	9"	10"
2x26w	2281 lm	2281 lm	2281 lm
2x32w	2467 lm	2467 lm	2467 lm
2x42w	2916 lm	2916 lm	2916 lm



Measured at 3000K, 120 VAC, installed in fixture.

RETROFIT REPLACEMENT GUIDE



Fits Into: 5" - 8" Reflector

Replaces: Vertical Mount CFL

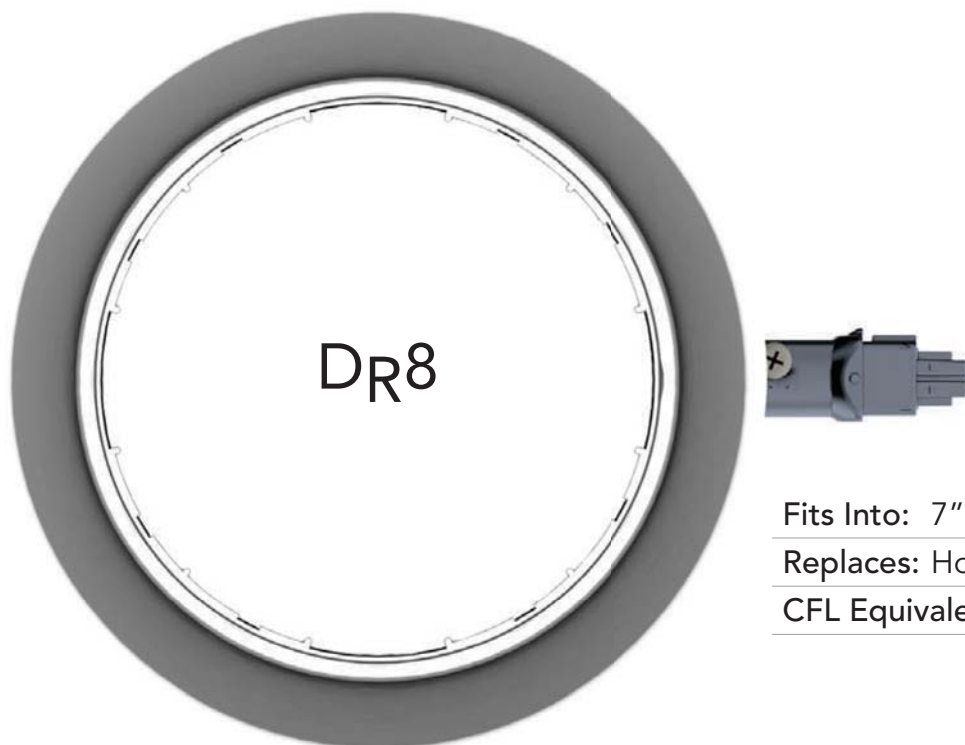
CFL Equivalent: 1x18w, 1x26w, 1x32w, 1x42w



Fits Into: 5" - 7" Reflector

Replaces: Horizontal Mount CFL

CFL Equivalent: 1x18w, 1x26w, 1x32w, 1x42w,
2x13w, 2x18w, 2x26w



Fits Into: 7" - 9" Reflector

Replaces: Horizontal Mount CFL

CFL Equivalent: 2x26w, 2x32w, 2x42w

Fits Into: 9" - 12" Reflector

Replaces: Horizontal Mount CFL

CFL Equivalent: 2x26w, 2x32w, 2x42w

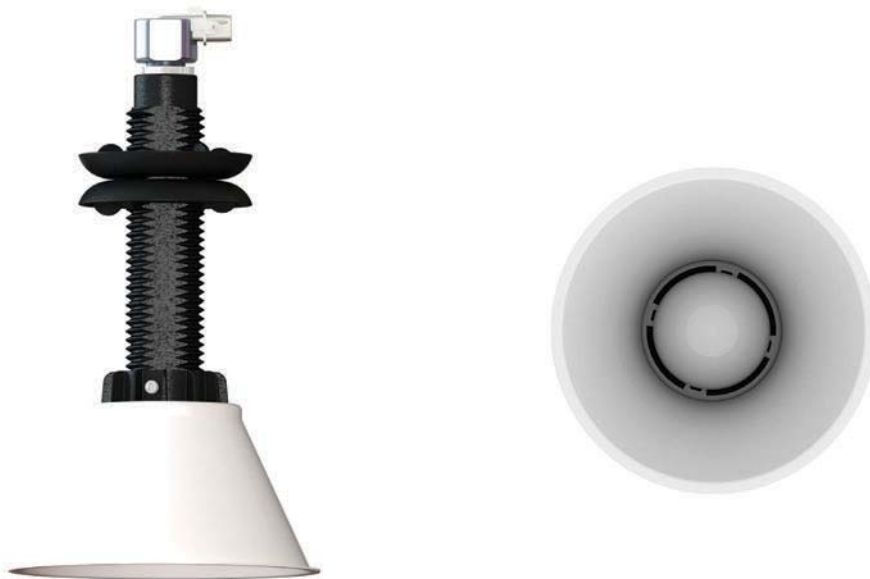


Fits Into: 8" - 10" Square Reflector

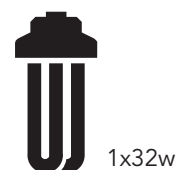
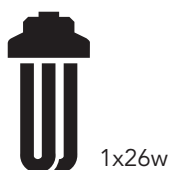
Replaces: Horizontal Mount CFL

CFL Equivalent: 2x26w, 2x32w, 2x42w

D_RV SERIES



REPLACES



OPTIONS

Retrofit: D_RV - 118

Lumen Output*: 984 lm

Input Watts*: 12.5w

Efficacy*: >78 lm/w

CCT: 2700, 3000, 3500, 4000

CRI: >80

* Measured at 3000K, 120 VAC, installed in fixture

Retrofit: D_RV - 126

Lumen Output*: 1035 lm

Input Watts*: 13.3w

Efficacy*: >77 lm/w

CCT: 2700, 3000, 3500, 4000

CRI: >80

* Measured at 3000K, 120 VAC, installed in fixture

Retrofit: D_RV - 132

Lumen Output*: 1259 lm

Input Watts*: 17.5w

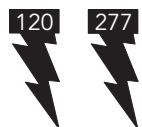
Efficacy*: >72 lm/w

CCT: 2700, 3000, 3500, 4000

CRI: >80

* Measured at 3000K, 120 VAC, installed in fixture

FEATURES



DUAL VOLTAGE



WARRANTY



FAST
INSTALLATION



UPGRADEABLE



BATTERY BACKUP
(OPTIONAL)

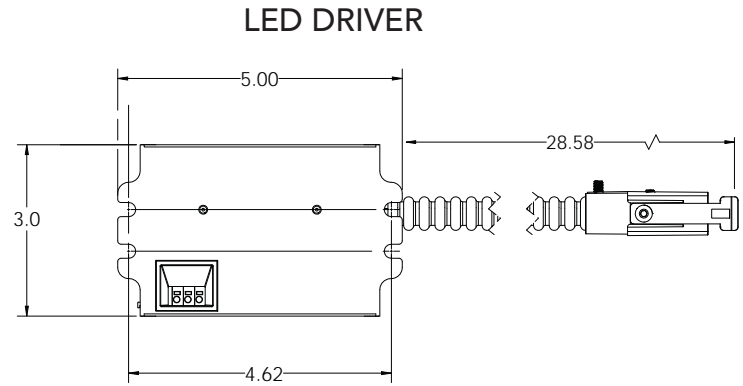
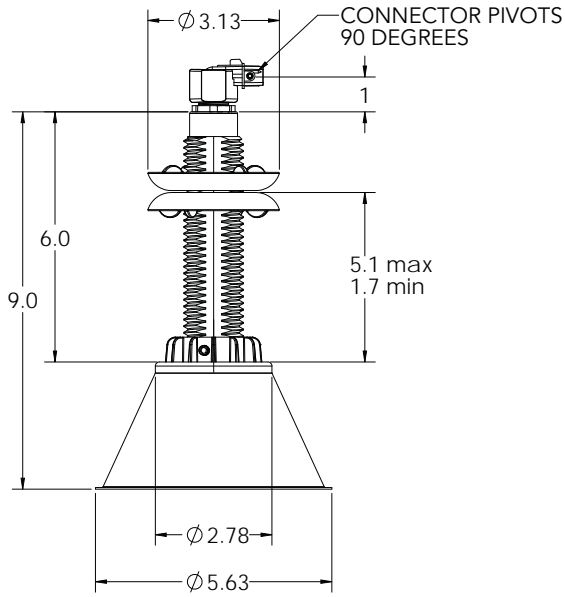


UL 1598C

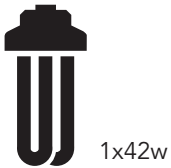


LED DOWNLIGHT
RETROFIT

Replaces Vertically Mounted CFLs



REPLACES



OPTIONS

Retrofit: DRV - 142

Lumen Output*: 1361

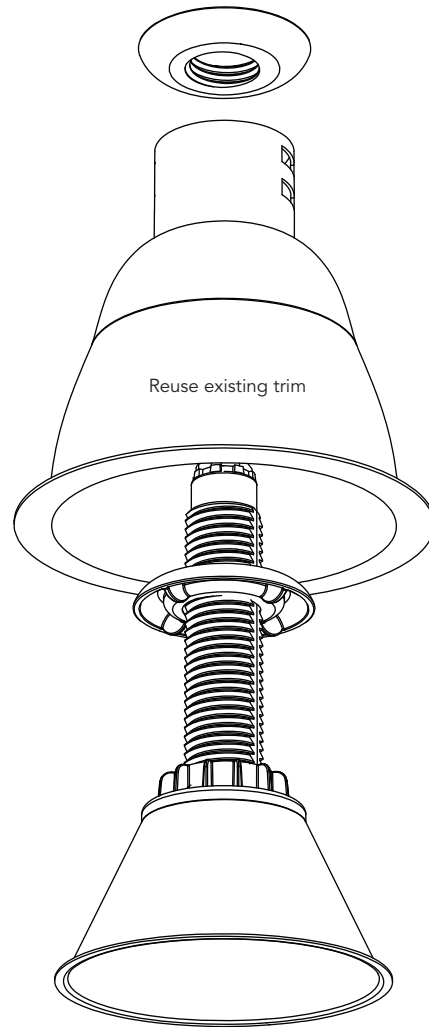
Input Watts*: 19.9w

Efficacy*: >68 lm/w

CCT: 2700, 3000, 3500, 4000

CRI: >80

* Measured at 3000K, 120 VAC, installed in fixture



PATENTS

7,777,430; 8,400,081; Additional Pat. Pend.

*Measurements in inches

DR6 SERIES



REPLACES



1x18w



1x26w
2x13w



1x32w
2x18w

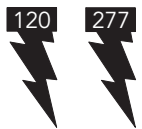
OPTIONS

Retrofit:	DR6 - 118
Lumen Output*:	1114 lm
Input Watts*:	12.3w
Efficacy*:	>90 lm/w
CCT:	2700, 3000, 3500, 4000
CRI:	>80
* Measured at 3000K, 120 VAC, installed in fixture	

Retrofit:	DR6 - 213
Lumen Output*:	1153 lm
Input Watts*:	13.0w
Efficacy*:	>88 lm/w
CCT:	2700, 3000, 3500, 4000
CRI:	>80
* Measured at 3000K, 120 VAC, installed in fixture	

Retrofit:	DR6 - 218
Lumen Output*:	1483 lm
Input Watts*:	17.1w
Efficacy*:	>86 lm/w
CCT:	2700, 3000, 3500, 4000
CRI:	>80
* Measured at 3000K, 120 VAC, installed in fixture	

FEATURES



DUAL VOLTAGE



WARRANTY



FAST
INSTALLATION



UPGRADEABLE



BATTERY BACKUP
(OPTIONAL)

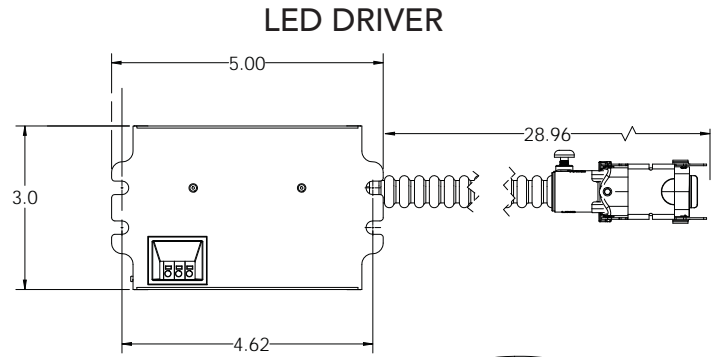
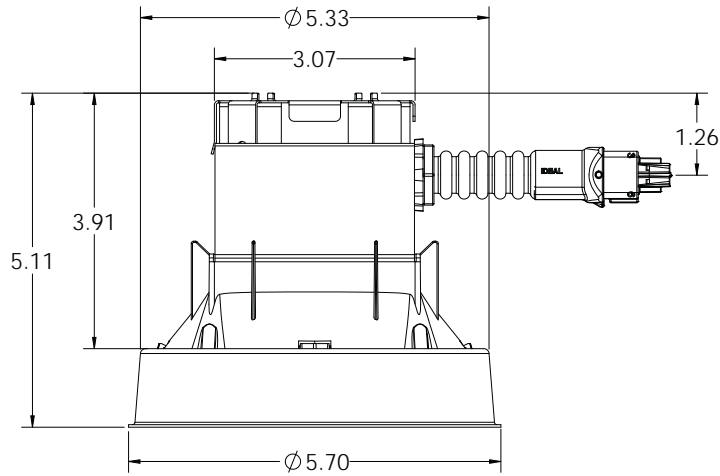


UL 1598C



LED DOWNLIGHT
RETROFIT

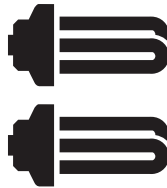
Replaces Single CFL + Ballast, 6" Trim



REPLACES



1x42w

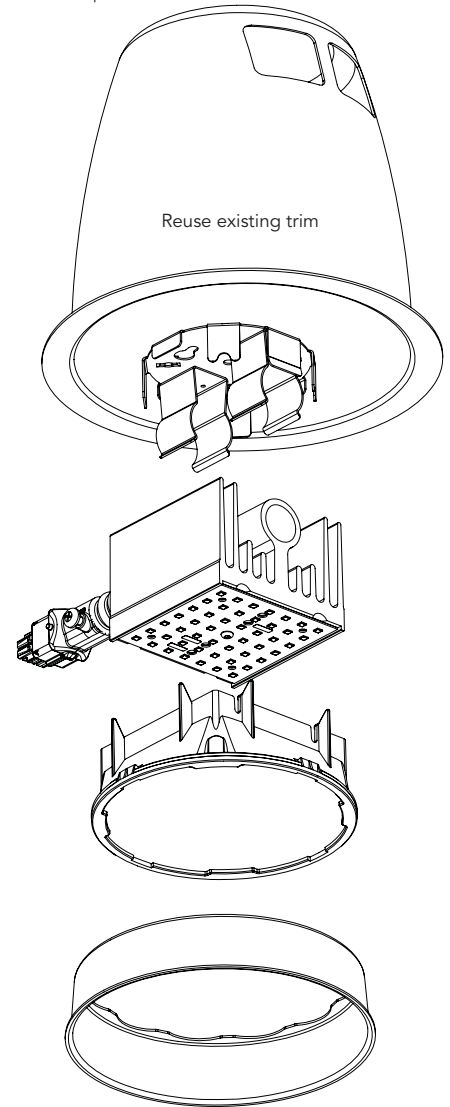


2x26w

OPTIONS

Retrofit:	DR6 - 142
Lumen Output*:	1665 lm
Input Watts*:	19.7w
Efficacy*:	>84 lm/w
CCT:	2700, 3000, 3500, 4000
CRI:	>80
* Measured at 3000K, 120 VAC, installed in fixture	

Retrofit:	DR6 - 226
Lumen Output*:	2254 lm
Input Watts*:	26.9w
Efficacy*:	>83 lm/w
CCT:	2700, 3000, 3500, 4000
CRI:	>80
* Measured at 3000K, 120 VAC, installed in fixture	

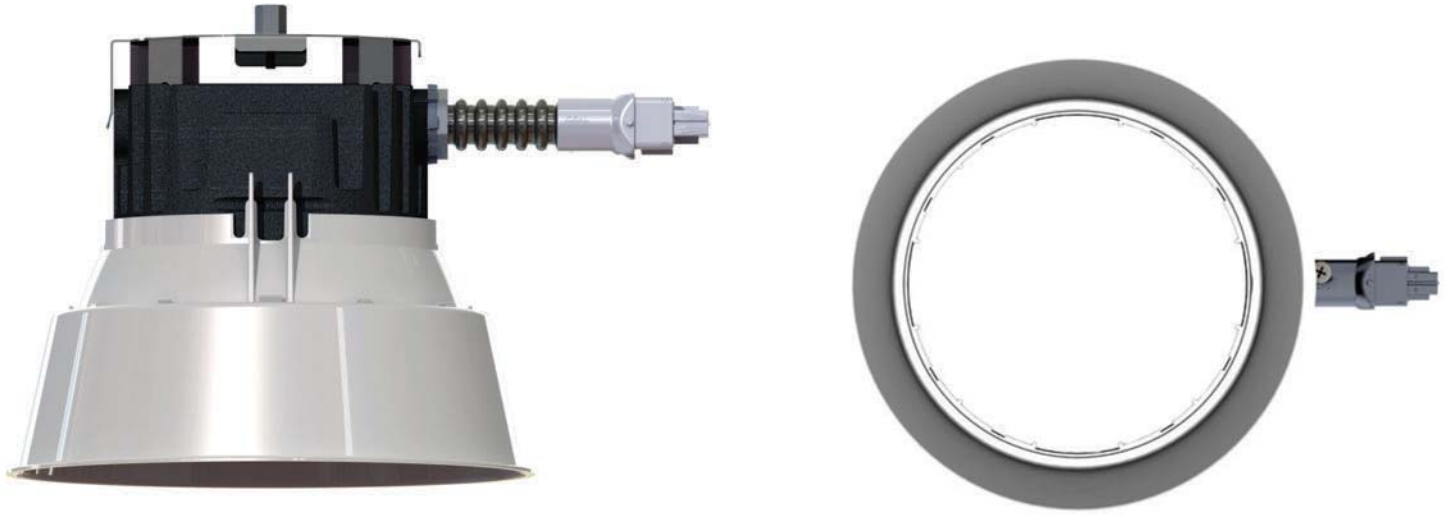


PATENTS

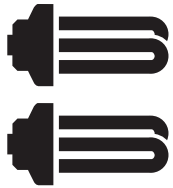
7,777,430; 8,400,081; Additional Pat. Pend.

*Measurements in inches

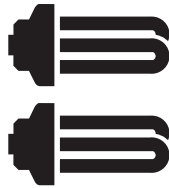
DR8 SERIES



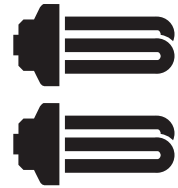
REPLACES



2x26w



2x32w



2x42w

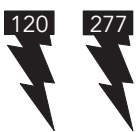
OPTIONS

Retrofit:	DR8 - 226
Lumen Output*:	2144 lm
Input Watts*:	25.5w
Efficacy*:	>90 lm/w
CCT:	2700, 3000, 3500, 4000
CRI:	>80
* Measured at 3000K, 120 VAC, installed in fixture	

Retrofit:	DR8 - 232
Lumen Output*:	2214 lm
Input Watts*:	27.2w
Efficacy*:	>88 lm/w
CCT:	2700, 3000, 3500, 4000
CRI:	>80
* Measured at 3000K, 120 VAC, installed in fixture	

Retrofit:	DR8 - 242
Lumen Output*:	2665 lm
Input Watts*:	33.8w
Efficacy*:	>86 lm/w
CCT:	2700, 3000, 3500, 4000
CRI:	>80
* Measured at 3000K, 120 VAC, installed in fixture	

FEATURES



DUAL VOLTAGE



WARRANTY



FAST
INSTALLATION



UPGRADEABLE



BATTERY BACKUP
(OPTIONAL)

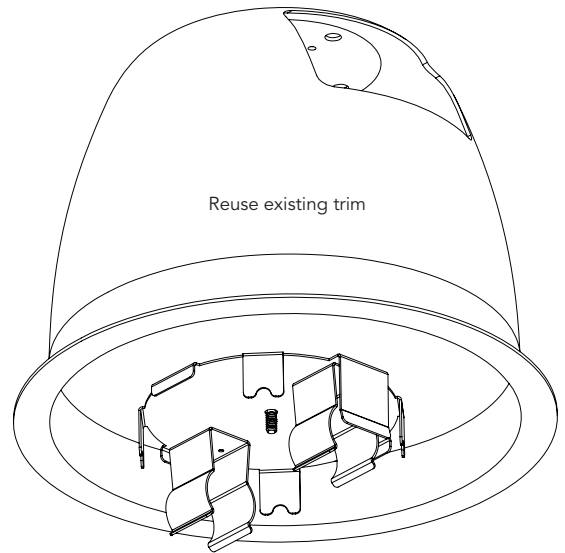
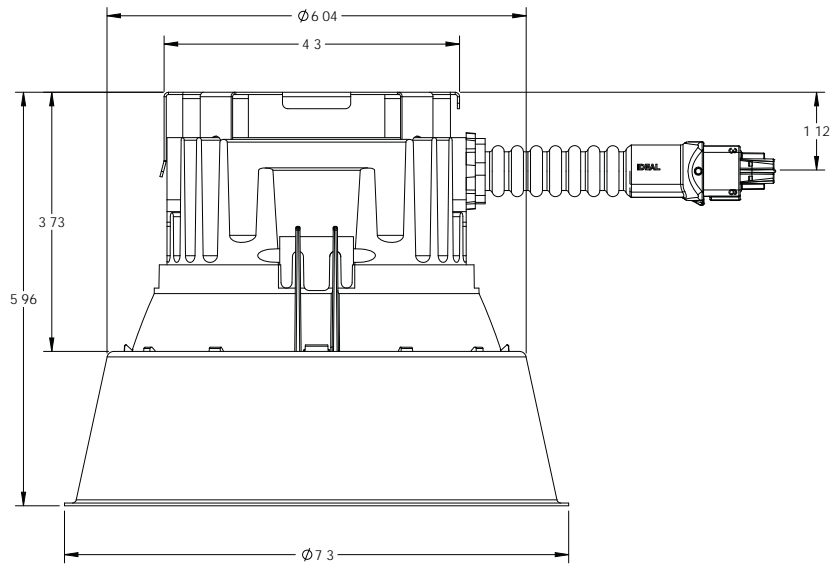


UL 1598C

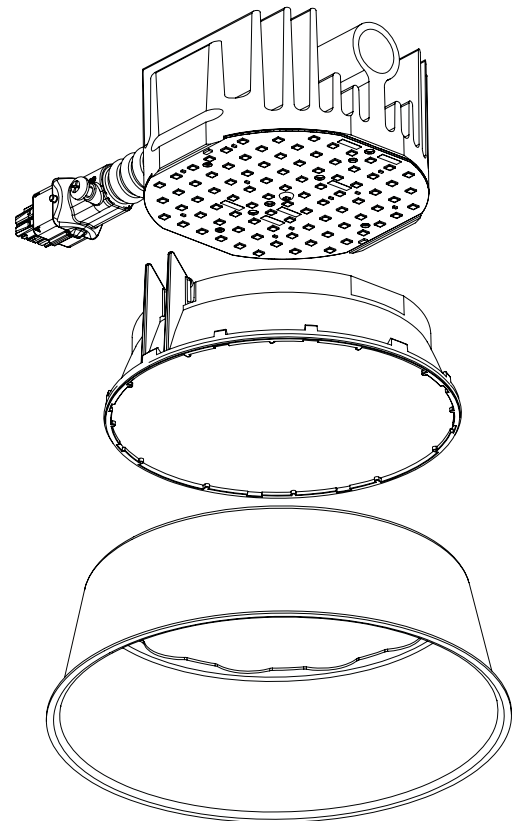
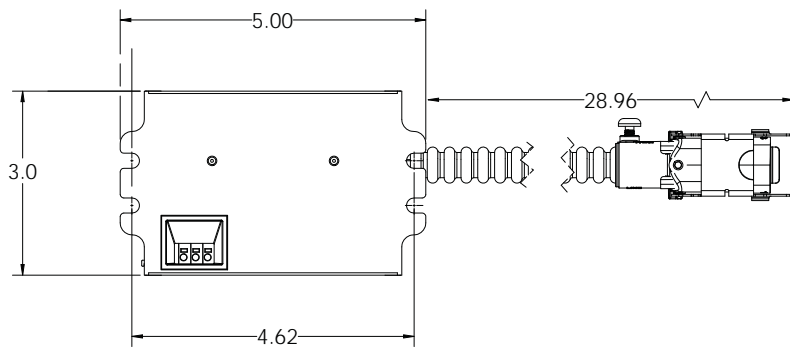


LED DOWNLIGHT
RETROFIT

Replaces CFL + Ballast, 8" Trim



LED DRIVER



PATENTS

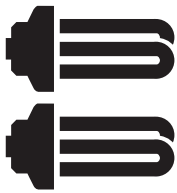
7,777,430; 8,400,081; Additional Pat. Pend.

*Measurements in inches

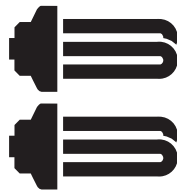
DR10 SERIES



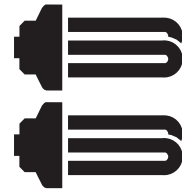
REPLACES



2x26w



2x32w



2x42w

OPTIONS

Retrofit:	DR10 - 226
Lumen Output*:	2144 lm
Input Watts*:	25.5w
Efficacy*:	>84 lm/w
CCT:	3000, 3500, 4000
CRI:	>80

* Measured at 3000K, 120 VAC, installed in fixture

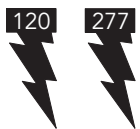
Retrofit:	DR10 - 232
Lumen Output*:	2240 lm
Input Watts*:	27.2w
Efficacy*:	>82 lm/w
CCT:	3000, 3500, 4000
CRI:	>80

* Measured at 3000K, 120 VAC, installed in fixture

Retrofit:	DR10 - 242
Lumen Output*:	2665 lm
Input Watts*:	33.8w
Efficacy*:	>78 lm/w
CCT:	3000, 3500, 4000
CRI:	>80

* Measured at 3000K, 120 VAC, installed in fixture

FEATURES



DUAL VOLTAGE



WARRANTY



FAST
INSTALLATION



UPGRADEABLE



BATTERY BACKUP
(OPTIONAL)

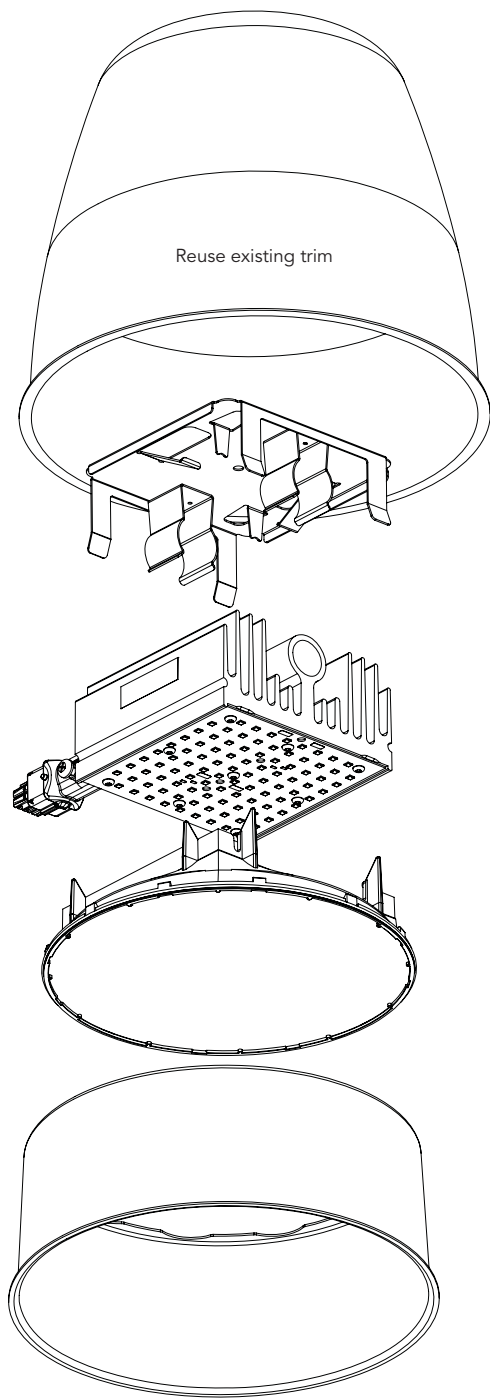
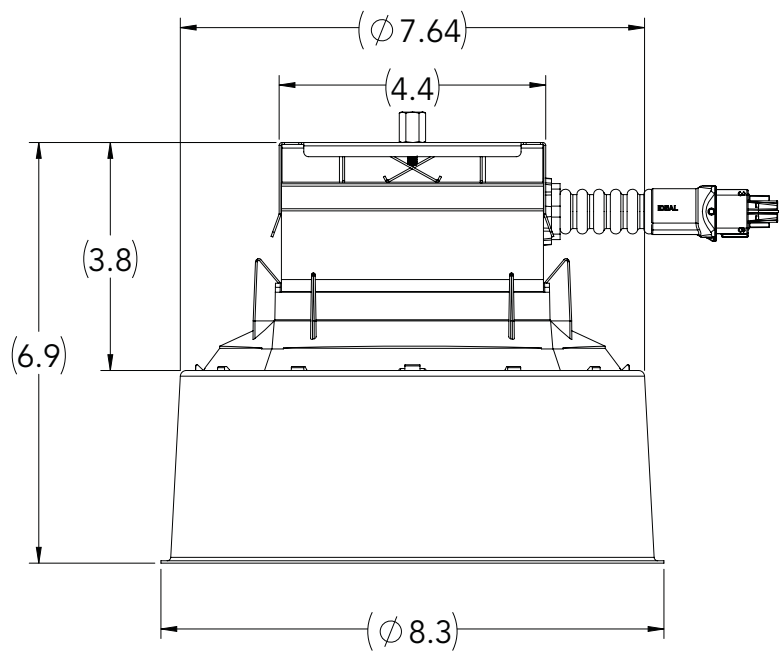


UL 1598C

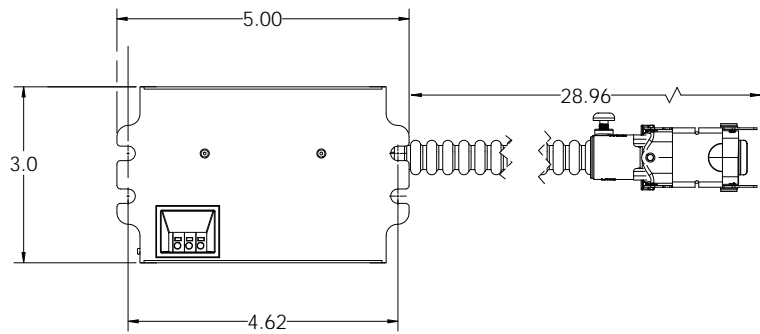


LED DOWNLIGHT
RETROFIT

Replaces Dual CFL + Ballast, 10" Trim



LED DRIVER

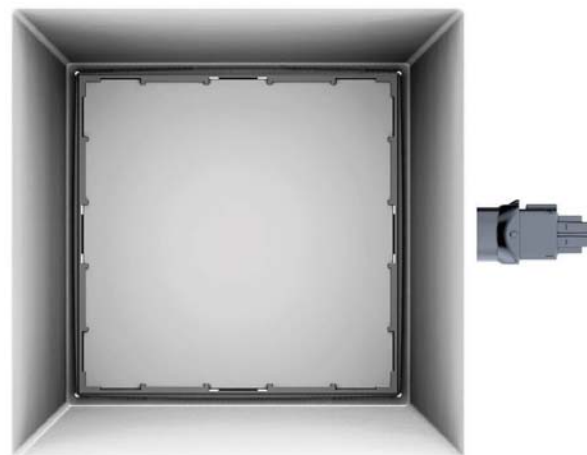


PATENTS

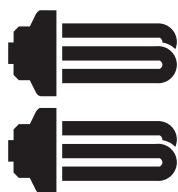
7,777,430; 8,400,081; Additional Pat. Pend.

*Measurements in inches

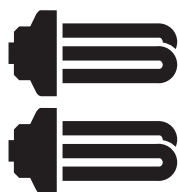
DR88 SERIES



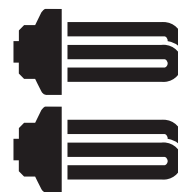
REPLACES



2x26w



2x32w



2x42w

OPTIONS

Retrofit: DR88 - 226

Lumen Output*: 2281 lm

Input Watts*: 27.7w

Efficacy*: >82 lm/w

CCT: 3000, 3500, 4000

CRI: >80

* Measured at 3000K, 120 VAC, installed in fixture

Retrofit: DR88 - 232

Lumen Output*: 2467 lm

Input Watts*: 29.8w

Efficacy*: >82 lm/w

CCT: 3000, 3500, 4000

CRI: >80

* Measured at 3000K, 120 VAC, installed in fixture

Retrofit: DR88 - 242

Lumen Output*: 2916 lm

Input Watts*: 36.1w

Efficacy*: >80 lm/w

CCT: 3000, 3500, 4000

CRI: >80

* Measured at 3000K, 120 VAC, installed in fixture

FEATURES



DUAL VOLTAGE



WARRANTY



FAST
INSTALLATION



UPGRADEABLE



BATTERY BACKUP
(OPTIONAL)

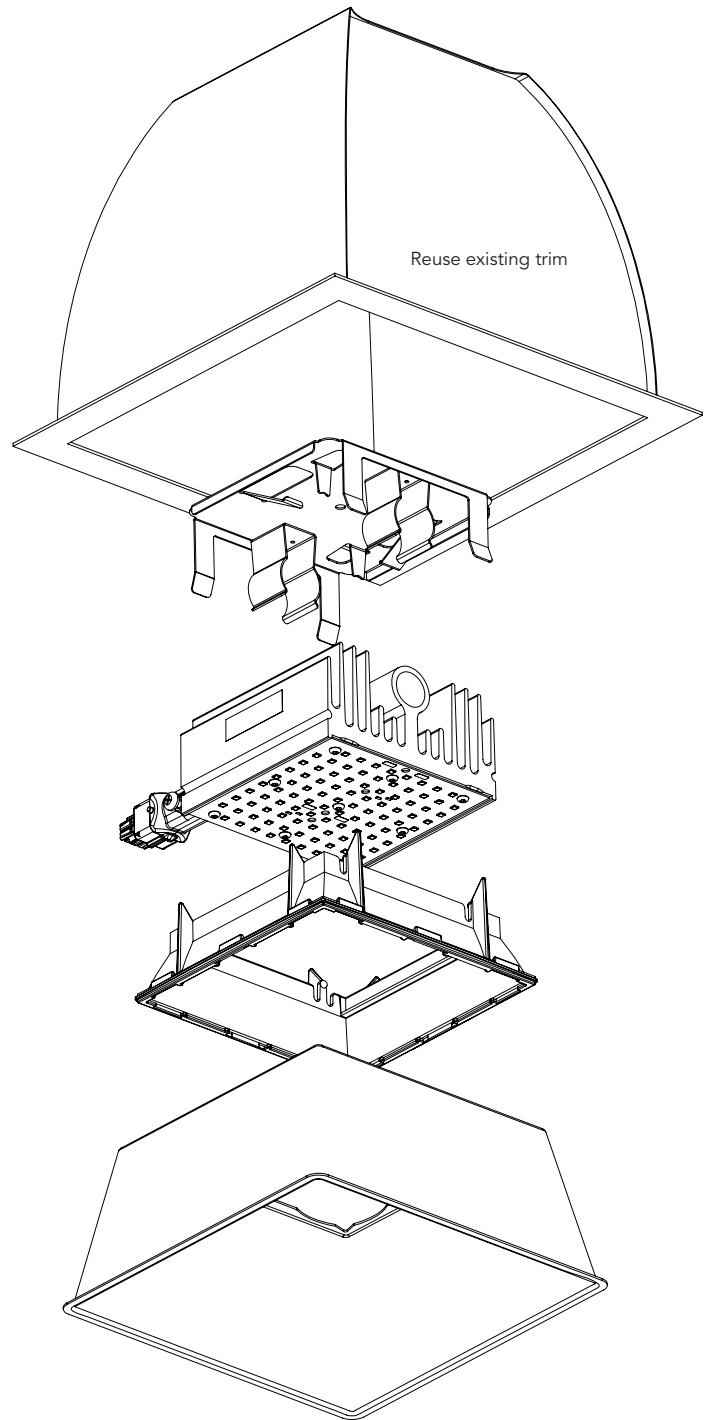
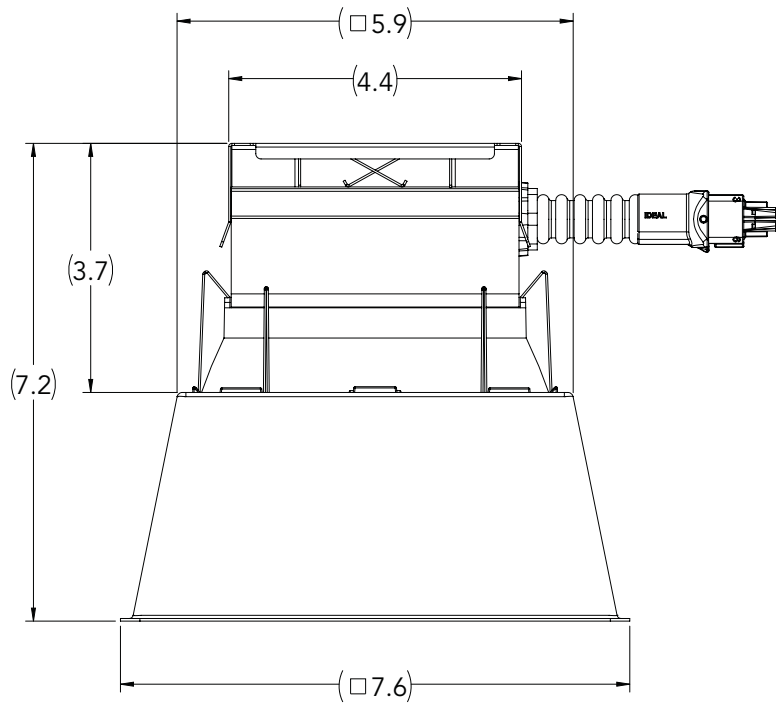


UL 1598C

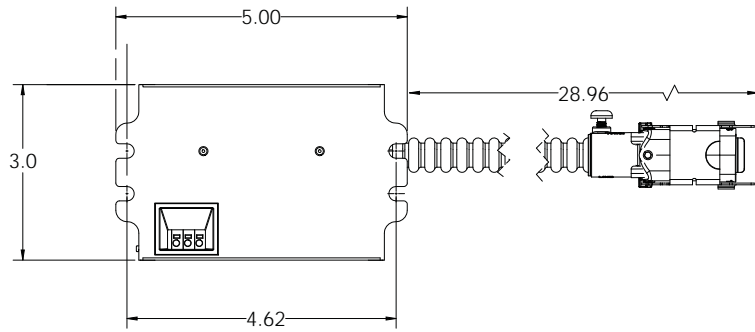


LED DOWNLIGHT
RETROFIT

Replaces Dual CFL + Ballast, 8" X 8" Trim



LED DRIVER



PATENTS

7,777,430; 8,400,081; Additional Pat. Pend.

*Measurements in inches

DOWNLIGHT FIXTURES

RELIABLE

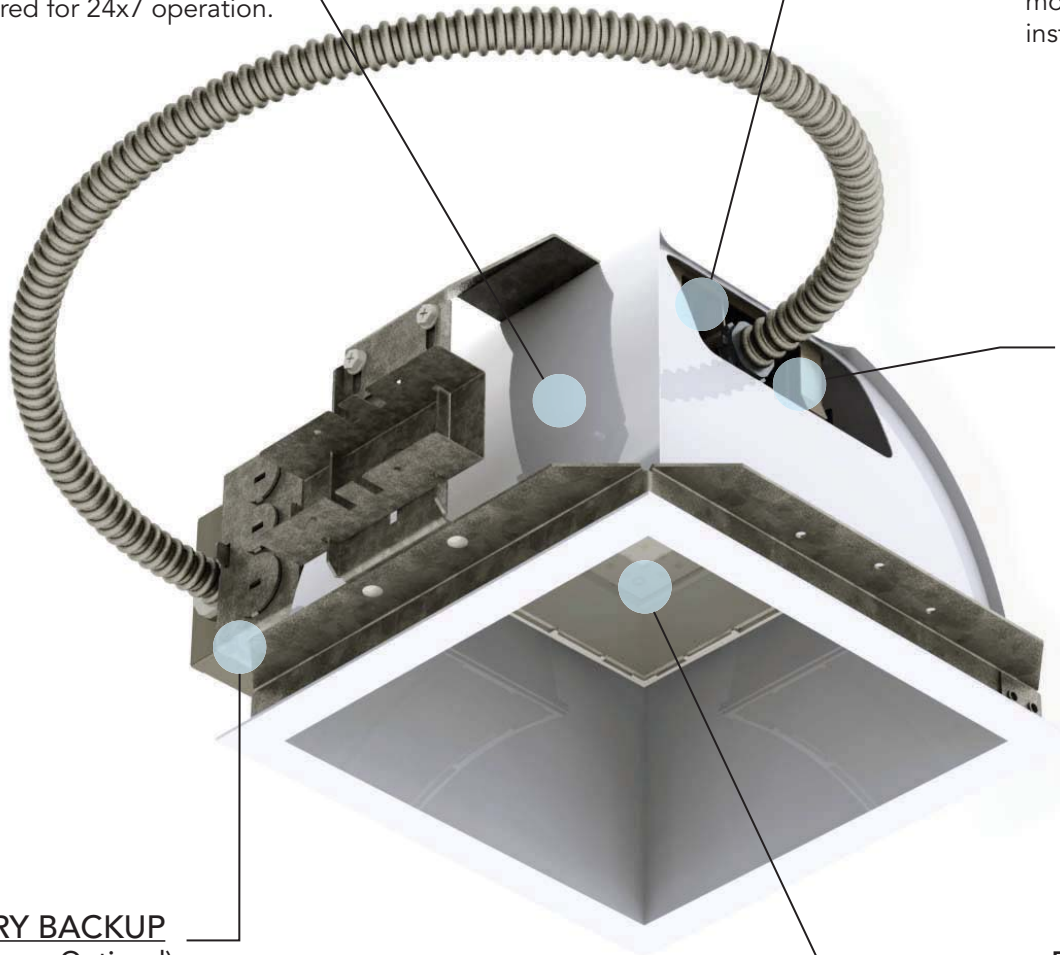
Tested to Telecordia standards.
Engineered for 24x7 operation.

FAST INSTALL

Integrated drop rails and
mount points for rapid
installation.

UPGRADEABLE

Easily upgrade LED
module without
complete replacement.



BATTERY BACKUP

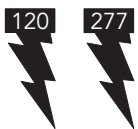
(Not Shown - Optional)
Meets 90 minute requirement.

PERFORMANCE

Tight consistency,
quality light, high
efficacy

*Shown: D88

FEATURES



DUAL VOLTAGE



WARRANTY



FAST
INSTALLATION



UPGRADEABLE



BATTERY BACKUP
(OPTIONAL)



UL 1598
LISTED



LED DOWNLIGHT
RETROFIT

Patents : 7,777,430; 8,400,081; Additional Pat. Pend.

D_V6 – 6" SPOT FIXTURE

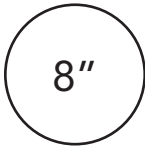


Replaces	Light Output**	Input Watts
1x18w	984 lm	12.15w
1x26w	1035 lm	13.3w
1x32w	1259 lm	17.5w
1x42w	1361 lm	19.9w

Options

Trim: Silver, White
CCT: 2700, 3000, 3500, 4000

D_V8 – 8" SPOT FIXTURE



Replaces	Light Output**	Input Watts
1x18w	984 lm	12.15w
1x26w	1035 lm	13.3w
1x32w	1259 lm	17.5w
1x42w	1361 lm	19.9w

Options

Trim: Silver, White
CCT: 2700, 3000, 3500, 4000

D6 – 6" FLOOD FIXTURE

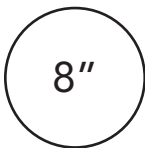


Replaces	Light Output**	Input Watts
1x18w	1114 lm	12.3w
1x26w	1153 lm	13.0w
1x32w	1483 lm	17.1w
1x42w	1665 lm	19.7w
2x26w	2254 lm	26.9w

Options

Trim: Silver, White
CCT: 2700, 3000, 3500, 4000

D8 – 8" FLOOD FIXTURE



Replaces	Light Output**	Input Watts
2x26w	2144 lm	25.5w
2x32w	2240 lm	27.2w
2x42w	2665 lm	33.8w

Options

Trim: Silver, White
CCT: 2700, 3000, 3500, 4000

D88 – 8X8" FLOOD FIXTURE



Replaces	Light Output**	Input Watts
2x26w	2281 lm	27.7w
2x32w	2467 lm	29.8w
2x42w	2916 lm	36.1w

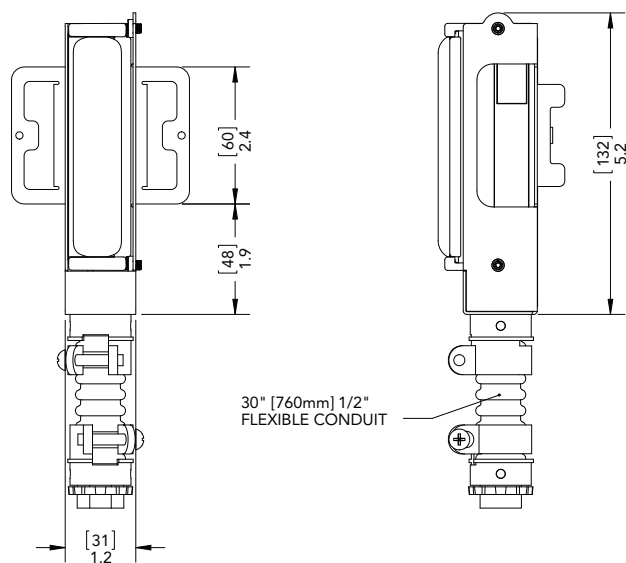
Options

Trim: Silver, White
CCT: 3000, 3500, 4000

* Shown on previous page

** Measured at 3000K, 120 VAC

DLR6-H – LED Downlight Kit



REPLACES



1x13w



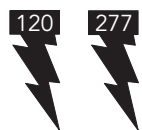
1x18w

OPTIONS

Retrofit:	DLR6H
Lumen Output*:	370 lm
Input Watts*:	7w
Efficacy*:	>57 lm/w
CCT:	2700, 3000, 3500, 4000, 5000
CRI:	>80
DIMMING:	0-10V Optional

* Measured at 3000K, 120 VAC, installed in fixture

FEATURES



DUAL VOLTAGE



WARRANTY



FAST
INSTALLATION



UPGRADEABLE



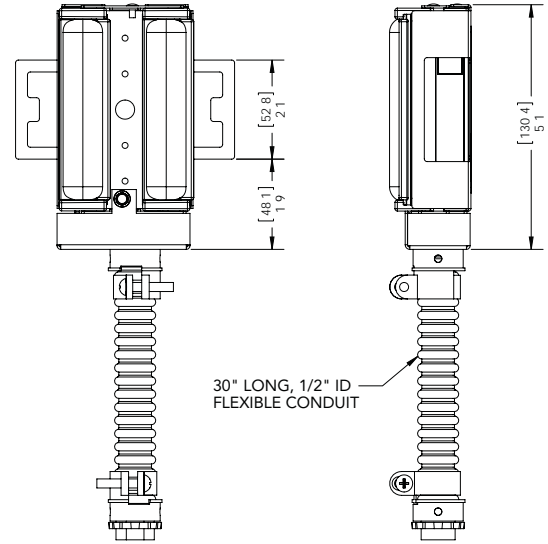
UL 1598C

PATENTS

7,777,430; 8,400,081; D687,581; Additional Pat. Pend.

*Measurements in inches

DLR7-H – LED Downlight Kit



REPLACES



1x26w



2x13w



2x18w

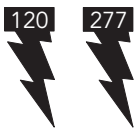
OPTIONS

Retrofit:	DLR7H
Lumen Output*:	740 lm
Input Watts*:	13w
Efficacy*:	>57 lm/w

CCT:	2700, 3000, 3500, 4000, 5000
CRI:	>80
DIMMING:	0-10V Optional

* Measured at 3000K, 120 VAC, installed in fixture

FEATURES



DUAL VOLTAGE



WARRANTY



FAST
INSTALLATION



UPGRADEABLE



UL 1598C



LED DOWNLIGHT
RETROFIT

PATENTS

7,777,430; 8,400,081; D687,581; Additional Pat. Pend.

*Measurements in inches

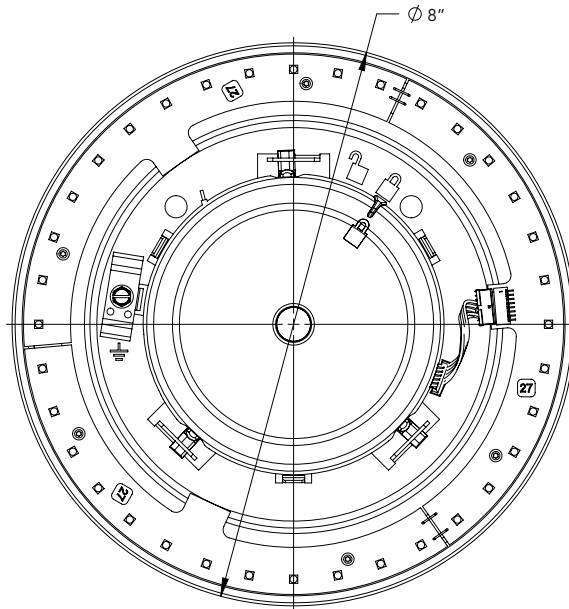


S_R – Surface Retrofit



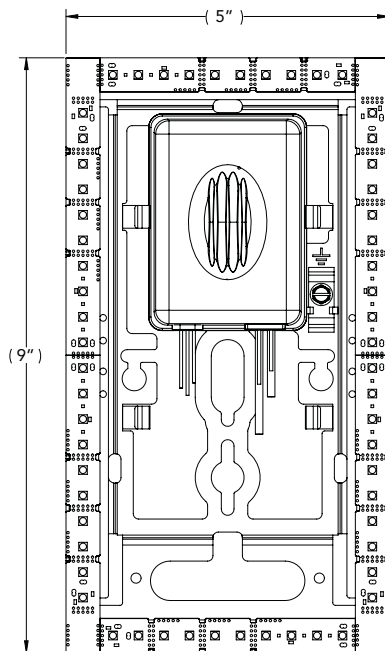
Input Power:	8" circle
@120 VAC	15W
@277 VAC	16W

Light Output as high as:	1470 lm
-----------------------------	---------



CFL Replacement:	1x18w	1x26w / 2x13w	1x32w	2x18w	1x42w
Input Power:					
@120 VAC	7.8w	9.5w	14.5w	14.6w	17.0w
@277 VAC	11.6w	12.7w	16.5w	16.3w	18.1w

Light Output as high as:	1005 lm	1151 lm	1617 lm	1768 lm	2005 lm
-----------------------------	---------	---------	---------	---------	---------



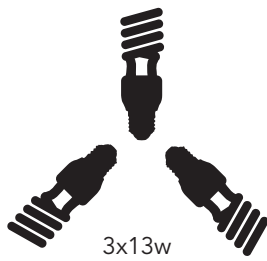
*Measurements in inches

S_R8 – Circular Surface Fixture Retrofit, Pin & Circular CFL



Example Installation

REPLACES



OPTIONS

Retrofit: S_R8 - 120 VAC

Lumen Output*: 1365 lm

Input Watts*: 15.0w

Efficacy*: >85 lm/w

CCT: 2700, 3000, 3500, 4000

CRI: >80

* Measured at 3000K, 120 VAC

Retrofit: S_R8 - 277 VAC

Lumen Output*: 1280 lm

Input Watts*: 16.0w

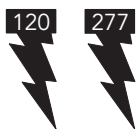
Efficacy*: >78 lm/w

CCT: 2700, 3000, 3500, 4000

CRI: >80

* Measured at 3000K, 277 VAC

FEATURES



DUAL VOLTAGE



WARRANTY



FAST
INSTALLATION



UPGRADEABLE



DIMMABLE
OPTION



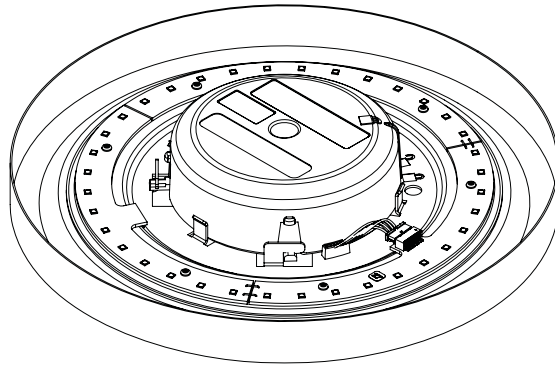
UL 1598C



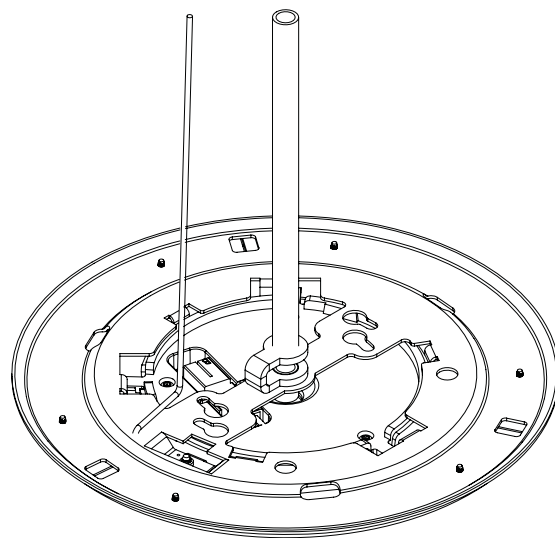
CSD
ENERGY STAR

Patents : 7,777,430; 8,400,081; Additional Pat. Pend.

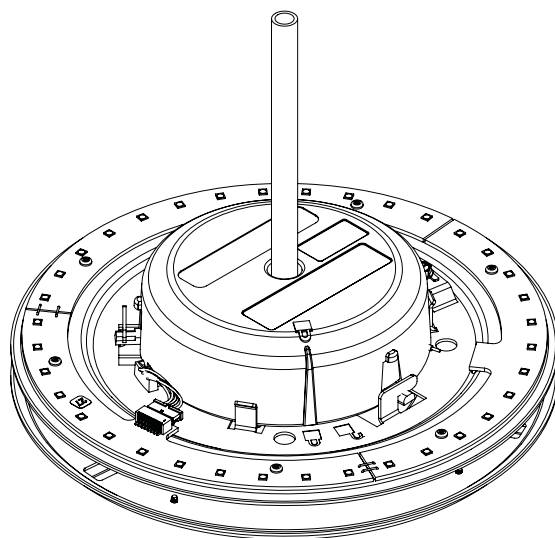
SURFACE MOUNT



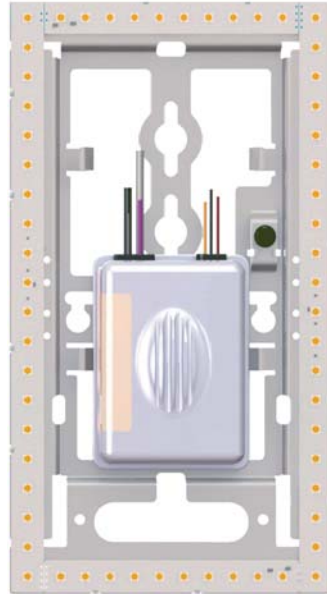
PENDANT MOUNT



BACK TO BACK



S_R95



Example Installation

REPLACES



1x18w



1x18w



1x26w



2x13w



1x32w

OPTIONS

Retrofit: S_R95 - 118

Lumen Output*: 869 lm

Input Watts*: 7.8w

Efficacy*: >112 lm/w

CCT: 2700, 3000, 3500, 4000

CRI: >80

* Measured at 3000K, 120 VAC

Retrofit: S_R95 - 126

Lumen Output*: 1044 lm

Input Watts*: 9.5w

Efficacy*: >110 lm/w

CCT: 2700, 3000, 3500, 4000

CRI: >80

* Measured at 3000K, 120 VAC

Retrofit: S_R95 - 132

Lumen Output*: 1502 lm

Input Watts*: 14.5w

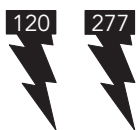
Efficacy*: >104 lm/w

CCT: 2700, 3000, 3500, 4000

CRI: >80

* Measured at 3000K, 120 VAC

FEATURES



DUAL VOLTAGE



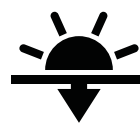
WARRANTY



FAST
INSTALLATION



UPGRADEABLE



DIMMABLE
0-10V

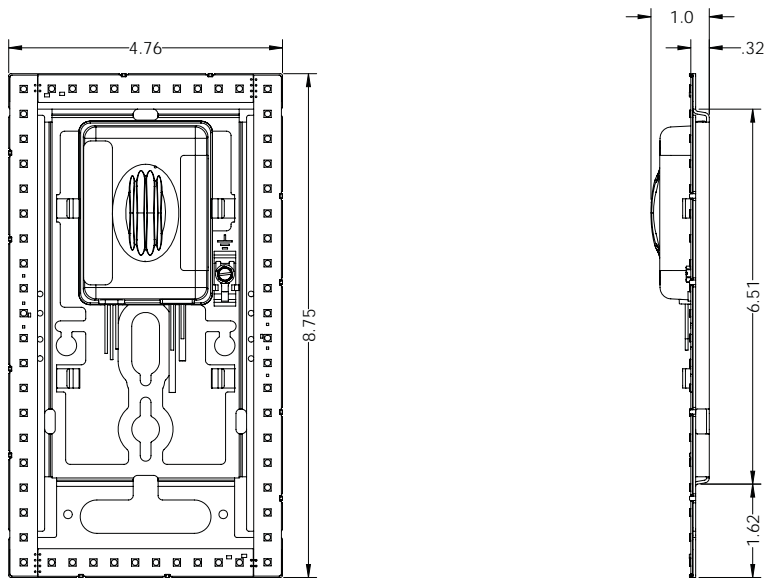


UL 1598C

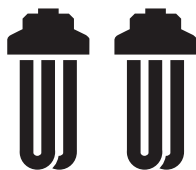


CSD
ENERGY STAR

Surface Fixture Retrofit, Rectangular



REPLACES



2x18w



1x42w

OPTIONS

Retrofit: SR95 - 218

Lumen Output*: 1735 lm

Input Watts*: 14.6w

Efficacy*: >121 lm/w

CCT: 2700, 3000, 3500, 4000

CRI: >80

* Measured at 3000K, 120 VAC

Retrofit: SR95 - 142

Lumen Output*: 1991 lm

Input Watts*: 17.0w

Efficacy*: >117 lm/w

CCT: 2700, 3000, 3500, 4000

CRI: >80

* Measured at 3000K, 120 VAC

PATENTS




7,777,430; 8,400,081; Additional Pat. Pend.

*Measurements in inches






COMPACT LINEAR ENGINES




120 VAC Phase Dimming

	 4"	 6"	 8"
2700K	478 lm	699 lm	885 lm
3000K	499 lm	729 lm	940 lm
3500K	539 lm	789 lm	986 lm
4000K	567 lm	796 lm	1020 lm
5000K	568 lm	825 lm	1069 lm

100 – 277 VAC No Dimming

	 4"	 6"	 8"
2700K	402 lm	560 lm	756 lm
3000K	407 lm	575 lm	808 lm
3500K	450 lm	607 lm	879 lm
4000K	478 lm	623 lm	886 lm
5000K	478 lm	656 lm	886 lm

100 – 277 VAC 0-10 Dimming

	 4"	 6"	 8"
2700K	402 lm	560 lm	756 lm
3000K	407 lm	575 lm	808 lm
3500K	450 lm	607 lm	879 lm
4000K	478 lm	623 lm	886 lm
5000K	478 lm	656 lm	886 lm

MOUNTING OPTIONS



STRAIGHT - MOUNT

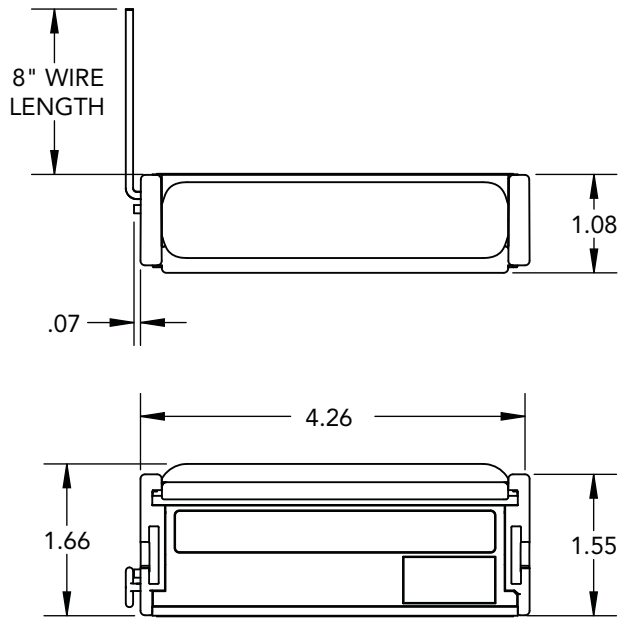


OFFSET - MOUNT



SIDE - MOUNT
STRAIGHT OR OFFSET

L04 – 4" Linear



REPLACES



60w



13w



13w

OPTIONS

Retrofit: L04 - 120 VAC
Phase Dimming

Input Voltage: 120 VAC
Lumen Output*: 499 lm
Input Watts*: 7.7w
Efficacy*: >65 lm/w

CCT: 2700, 3000, 3500, 4000
CRI: >80

* Measured at 3000K, 120 VAC

Retrofit: L04 - Universal
No Dimming

Input Voltage: 100-277 VAC
Lumen Output*: 407 lm
Input Watts*: 5.0w
Efficacy*: >81 lm/w

CCT: 2700, 3000, 3500, 4000
CRI: >80

DIMMING: 0-10V Optional

* Measured at 3000K, 120 VAC

FEATURES



WARRANTY



FAST
INSTALLATION



IP65 RATED



UL 1598C



100-277 V ONLY



2012 IES AWARD



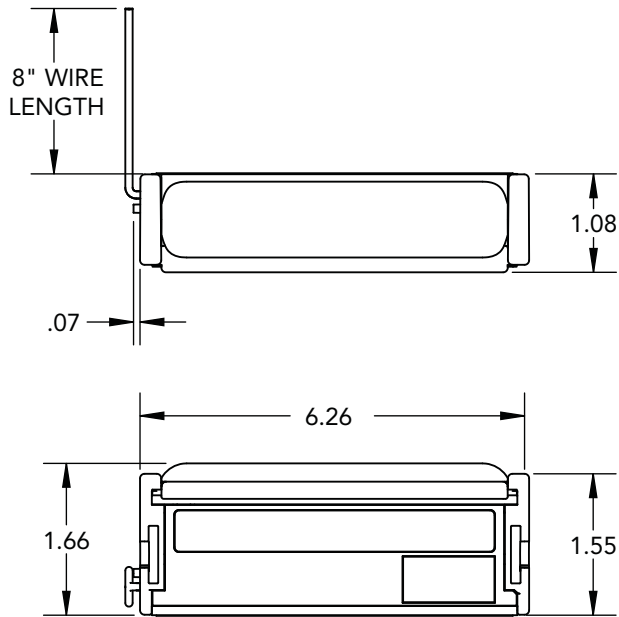
2012 PIA AWARD

PATENTS

7,777,430; 8,400,081; D687,581; Additional Pat. Pend.

*Measurements in inches

L06 – 6" Linear



REPLACES



75w



18w



18w



2x13w

OPTIONS

Retrofit: L06 - 120 VAC
Phase Dimming

Input Voltage: 120 VAC
Lumen Output*: 729 lm
Input Watts*: 10.1w
Efficacy*: >72 lm/w

CCT: 2700, 3000, 3500, 4000
CRI: >80

* Measured at 3000K, 120 VAC

Retrofit: L06 - Universal
No Dimming

Input Voltage: 100-277 VAC
Lumen Output*: 575 lm
Input Watts*: 6.9w
Efficacy*: >83 lm/w

CCT: 2700, 3000, 3500, 4000
CRI: >80

DIMMING: 0-10V Optional

* Measured at 3000K, 120 VAC

FEATURES



WARRANTY



FAST
INSTALLATION



IP65 RATED



UL 1598C



100-277 V ONLY



2012 IES AWARD



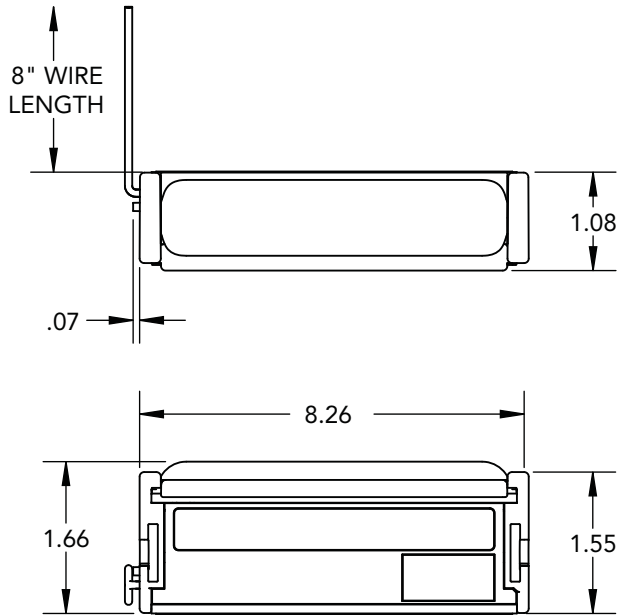
2012 PIA AWARD

PATENTS

7,777,430; 8,400,081; D687,581; Additional Pat. Pend.

*Measurements in inches

L08 – 8" Linear



REPLACES



70w



70w



26w



32w



2x13w

OPTIONS

Retrofit: L08 - 120 VAC
Phase Dimming

Input Voltage: 120 VAC

Lumen Output*: 940 lm

Input Watts*: 12.6w

Efficacy*: >75 lm/w

CCT: 2700, 3000, 3500, 4000

CRI: >80

* Measured at 3000K, 120 VAC

Retrofit: L08 - Universal
No Dimming

Input Voltage: 100-277 VAC

Lumen Output*: 808 lm

Input Watts*: 10.2w

Efficacy*: >79 lm/w

CCT: 2700, 3000, 3500, 4000

CRI: >80

DIMMING: 0-10V Optional

* Measured at 3000K, 120 VAC

FEATURES



WARRANTY



IP65 RATED



UL 1598C



100-277 V ONLY



2012 IES AWARD



2012 PIA AWARD



5000K
NO DIMMING

PATENTS

7,777,430; 8,400,081; D687,581; Additional Pat. Pend.

*Measurements in inches



R20 – Track Light Retrofit



REPLACES



39W MH

OPTIONS

Retrofit: 120 VAC

Lumen Output*: 1220 lm

Input Watts*: 17w

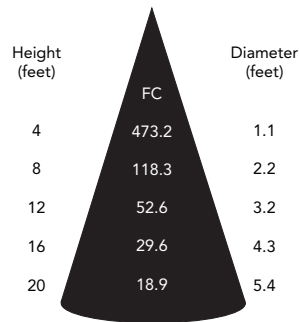
Efficacy*: >69 lm/w

CCT: 2700, 3000, 3500, 4000

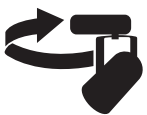
CRI: >80

* Measured at 3000K, 120 VAC, out of fixture

3000K • 15°



FEATURES



TWIST & CLICK
INSTALLATION



WARRANTY



FAST
INSTALLATION



PIA AWARD

PATENTS

8,328,385; 7,699,494; 7,777,430; 8,033,682; 8,400,081; Additional Pat. Pending

MR16C – Track Light Retrofit



REPLACES



20W Halogen



35W Halogen

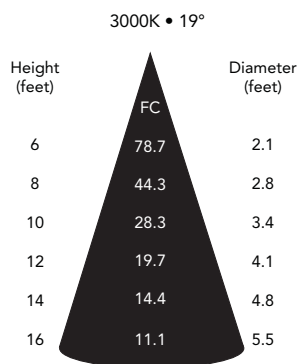


50W Halogen

OPTIONS

Retrofit:	TRK-R16C
Lumen Output*:	640 lm
Input Watts*:	12.5w
Efficacy*:	>50 lm/w
CCT:	2700, 3000, 3500, 4000
CRI:	>80 >92 (option)

* Measured at 3000K, 120 VAC, out of fixture



FEATURES



TWIST & CLICK
INSTALLATION



WARRANTY



FAST
INSTALLATION



FIELD REPLACEABLE
OPTICS



SELECTABLE
OUTPUT



Intertek



ENERGY STAR

PATENTS

8,328,385; 7,699,494; 7,777,430; 8,033,682; 8,400,081; Additional Pat. Pend.

MR16 – Decorative LED Lamp



REPLACES



20W Halogen

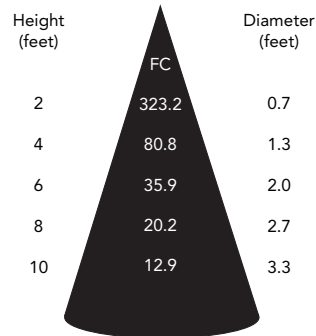


20W Halogen

OPTIONS

Retrofit:	12 VAC
Lumen Output*:	230 lm
Input Watts*:	4.5w
Efficacy*:	>50 lm/w
CCT:	3000
CRI:	96

* Measured at 3000K, 120 VAC, out of fixture



FEATURES



FAST
INSTALLATION



DECORATIVE
BACKLIGHTING



WARRANTY



UL CERTIFIED

PATENTS

8,328,385; 7,699,494; 7,777,430; 8,033,682; 8,400,081; Additional Pat. Pend.

TERRALUX

LED MR16

4 watt



Standard LED MR16

4 watt



Halogen MR16

20 watt



RETROFIT ORDERING GUIDE

COMPACT LINEAR LED ENGINE

CCT	INPUT VOLTAGE	SIZE	DIMMING*	PART NUMBER
2700K	120VAC	4"	Phase	TLM-L04B-A042712R
	120VAC	6"	Phase	TLM-L06B-A062712R
	120VAC	8"	Phase	TLM-L08B-A082712R
	100-277 VAC	4"	0-10V	TLM-L04B-B042712R
	100-277 VAC	6"	0-10V	TLM-L06B-B062712R
	100-277 VAC	8"	0-10V	TLM-L08B-B082712R
	100-277 VAC	4"	No Dimming	TLM-L04B-D042712R
	100-277 VAC	6"	No Dimming	TLM-L06B-D062712R
3000K	120VAC	4"	Phase	TLM-L04B-A043012R
	120VAC	6"	Phase	TLM-L06B-A063012R
	120VAC	8"	Phase	TLM-L08B-A083012R
	100-277 VAC	4"	0-10V	TLM-L04B-B043012R
	100-277 VAC	6"	0-10V	TLM-L06B-B063012R
	100-277 VAC	8"	0-10V	TLM-L08B-B083012R
	100-277 VAC	4"	No Dimming	TLM-L04B-D043012R
	100-277 VAC	6"	No Dimming	TLM-L06B-D063012R
3500K	120VAC	4"	Phase	TLM-L04B-A043512R
	120VAC	6"	Phase	TLM-L06B-A063512R
	120VAC	8"	Phase	TLM-L08B-A083512R
	100-277 VAC	4"	0-10V	TLM-L04B-B043512R
	100-277 VAC	6"	0-10V	TLM-L06B-B063512R
	100-277 VAC	8"	0-10V	TLM-L08B-B083512R
	100-277 VAC	4"	No Dimming	TLM-L04B-D043512R
	100-277 VAC	6"	No Dimming	TLM-L06B-D063512R
4000K	120VAC	4"	Phase	TLM-L04B-A044012R
	120VAC	6"	Phase	TLM-L06B-A064012R
	120VAC	8"	Phase	TLM-L08B-A084012R
	100-277 VAC	4"	0-10V	TLM-L04B-B044012R
	100-277 VAC	6"	0-10V	TLM-L06B-B064012R
	100-277 VAC	8"	0-10V	TLM-L08B-B084012R
	100-277 VAC	4"	No Dimming	TLM-L04B-D044012R
	100-277 VAC	6"	No Dimming	TLM-L06B-D064012R
5000K	120VAC	4"	Phase	TLM-L04B-A045012R
	120VAC	6"	Phase	TLM-L06B-A065012R
	120VAC	8"	Phase	TLM-L08B-A085012R
	100-277 VAC	4"	0-10V	TLM-L04B-B045012R
	100-277 VAC	6"	0-10V	TLM-L06B-B065012R
	100-277 VAC	8"	0-10V	TLM-L08B-B085012R
	100-277 VAC	4"	No Dimming	TLM-L04B-D045012R
	100-277 VAC	6"	No Dimming	TLM-L06B-D065012R
5000K	100-277 VAC	8"	DLC	TLM-L08B-D085012R

COMPACT LINEAR ENGINE UNDERMOUNT BRACKET

SIZE	DESCRIPTION	PART NUMBER
4"	Undermount Bracket	TLMA-937000008
6"	Undermount Bracket	TLMA-937000009
8"	Undermount Bracket	TLMA-937000010

RETROFIT ORDERING GUIDE

S_R8 CIRCULAR LED ENGINE

CCT	INPUT VOLTAGE	DIMMING*	PART NUMBER
2700K	120VAC or 277 VAC	No Dimming	TLM-D08A-A1227R
3000K	120VAC or 277 VAC	No Dimming	TLM-D08A-A1230R
3500K	120VAC or 277 VAC	No Dimming	TLM-D08A-A1235R
4000K	120VAC or 277 VAC	No Dimming	TLM-D08A-A1240R
5000K	120VAC or 277 VAC	No Dimming	TLM-D08A-A1250R
2700K	120VAC or 277 VAC	Phase	TLM-D08A-B1227R
3000K	120VAC or 277 VAC	Phase	TLM-D08A-B1230R
3500K	120VAC or 277 VAC	Phase	TLM-D08A-B1235R
4000K	120VAC or 277 VAC	Phase	TLM-D08A-B1240R
5000K	120VAC or 277 VAC	Phase	TLM-D08A-B1250R

S_R8 CIRCULAR LED ENGINE DIFFUSER

DESCRIPTION	PART NUMBER
High Diffusion Snap On Lens	TLMA-228000137

S_R95 WALL SCONCE RECTANGULAR LED ENGINE – 0–10V DIMMABLE

CCT	INPUT VOLTAGE	CFL REPLACEMENT	PART NUMBER
2700K	120-277VAC	1x18w	TLM-SR95A-A11827R
	120-277VAC	1x26w	TLM-SR95A-A12627R
	120-277VAC	1x32w	TLM-SR95A-A13227R
	120-277VAC	2x18w	TLM-SR95A-A21827R
	120-277VAC	1x42w	TLM-SR95A-A14227R
3000K	120-277VAC	1x18w	TLM-SR95A-A11830R
	120-277VAC	1x26w	TLM-SR95A-A12630R
	120-277VAC	1x32w	TLM-SR95A-A13230R
	120-277VAC	2x18w	TLM-SR95A-A21830R
	120-277VAC	1x42w	TLM-SR95A-A14230R
3500K	120-277VAC	1x18w	TLM-SR95A-A11835R
	120-277VAC	1x26w	TLM-SR95A-A12635R
	120-277VAC	1x32w	TLM-SR95A-A13235R
	120-277VAC	2x18w	TLM-SR95A-A21835R
	120-277VAC	1x42w	TLM-SR95A-A14235R
4000K	120-277VAC	1x18w	TLM-SR95A-A11840R
	120-277VAC	1x26w	TLM-SR95A-A12640R
	120-277VAC	1x32w	TLM-SR95A-A13240R
	120-277VAC	2x18w	TLM-SR95A-A21840R
	120-277VAC	1x42w	TLM-SR95A-A14240R

S_R95 WALL SCONCE LED ENGINE DIFFUSER

DESCRIPTION	PART NUMBER
High Diffusion Snap On Lens	TLMA-202000065

RETROFIT ORDERING GUIDE

DRV DOWNLIGHT RETROFIT KIT FOR VERTICAL CFL FIXTURE – NO DIMMING

CCT	INPUT VOLTAGE	CFL REPLACEMENT	PART NUMBER
2700K	120-277VAC	1x18w	TLK-DRVA-A11827DO
	120-277VAC	1x26w	TLK-DRVA-A12627DO
	120-277VAC	1x32w	TLK-DRVA-A13227DO
	120-277VAC	1x42w	TLK-DRVA-A14227DO
3000K	120-277VAC	1x18w	TLK-DRVA-A11830DO
	120-277VAC	1x26w	TLK-DRVA-A12630DO
	120-277VAC	1x32w	TLK-DRVA-A13230DO
	120-277VAC	1x42w	TLK-DRVA-A14230DO
3500K	120-277VAC	1x18w	TLK-DRVA-A11835DO
	120-277VAC	1x26w	TLK-DRVA-A12635DO
	120-277VAC	1x32w	TLK-DRVA-A13235DO
	120-277VAC	1x42w	TLK-DRVA-A14235DO
4000K	120-277VAC	1x18w	TLK-DRVA-A11840DO
	120-277VAC	1x26w	TLK-DRVA-A12640DO
	120-277VAC	1x32w	TLK-DRVA-A13240DO
	120-277VAC	1x42w	TLK-DRVA-A14240DO

DR6 DOWNLIGHT RETROFIT KIT FOR 6" HORIZONTAL CFL FIXTURE – NO DIMMING

CCT	INPUT VOLTAGE	CFL REPLACEMENT	PART NUMBER
2700K	120-277VAC	1x18w	TLK-DR6A-A11827DO
	120-277VAC	2x13w	TLK-DR6A-A21327DO
	120-277VAC	2x18w	TLK-DR6A-A21827DO
	120-277VAC	1x42w	TLK-DR6A-A14227DO
	120-277VAC	2x26w	TLK-DR6A-A22627DO
	3000K	120-277VAC	1x18w
120-277VAC		2x13w	TLK-DR6A-A21330DO
120-277VAC		2x18w	TLK-DR6A-A21830DO
120-277VAC		1x42w	TLK-DR6A-A14230DO
120-277VAC		2x26w	TLK-DR6A-A22630DO
3500K		120-277VAC	1x18w
	120-277VAC	2x13w	TLK-DR6A-A21335DO
	120-277VAC	2x18w	TLK-DR6A-A21835DO
	120-277VAC	1x42w	TLK-DR6A-A14235DO
	120-277VAC	2x26w	TLK-DR6A-A22635DO
	4000K	120-277VAC	1x18w
120-277VAC		2x13w	TLK-DR6A-A21340DO
120-277VAC		2x18w	TLK-DR6A-A21840DO
120-277VAC		1x42w	TLK-DR6A-A14240DO
120-277VAC		2x26w	TLK-DR6A-A22640DO

Battery Backup option available for DRV, DR6, DR8, DR10 and DR88.

Add "BB" to the end of the part number.

RETROFIT ORDERING GUIDE

DR8 DOWNLIGHT RETROFIT KIT FOR 8" HORIZONTAL CFL FIXTURE – NO DIMMING

CCT	INPUT VOLTAGE	CFL REPLACEMENT	PART NUMBER
2700K	120-277VAC	2x26w	TLK-DR8A-A22627DO
	120-277VAC	2x32w	TLK-DR8A-A23227DO
	120-277VAC	2x42w	TLK-DR8A-A24227DO
3000K	120-277VAC	2x26w	TLK-DR8A-A22630DO
	120-277VAC	2x32w	TLK-DR8A-A23230DO
	120-277VAC	2x42w	TLK-DR8A-A24230DO
3500K	120-277VAC	2x26w	TLK-DR8A-A22635DO
	120-277VAC	2x32w	TLK-DR8A-A23235DO
	120-277VAC	2x42w	TLK-DR8A-A24235DO
4000K	120-277VAC	2x26w	TLK-DR8A-A22640DO
	120-277VAC	2x32w	TLK-DR8A-A23240DO
	120-277VAC	2x42w	TLK-DR8A-A24240DO

DR10 DOWNLIGHT RETROFIT KIT FOR 10" HORIZONTAL CFL FIXTURE – NO DIMMING

CCT	INPUT VOLTAGE	CFL REPLACEMENT	PART NUMBER
3000K	120-277VAC	2x26w	TLK-DR10A-A22630DO
	120-277VAC	2x32w	TLK-DR10A-A23230DO
	120-277VAC	2x42w	TLK-DR10A-A24230DO
3500K	120-277VAC	2x26w	TLK-DR10A-A22635DO
	120-277VAC	2x32w	TLK-DR10A-A23235DO
	120-277VAC	2x42w	TLK-DR10A-A24235DO
4000K	120-277VAC	2x26w	TLK-DR10A-A22640DO
	120-277VAC	2x32w	TLK-DR10A-A23240DO
	120-277VAC	2x42w	TLK-DR10A-A24240DO

DR88 DOWNLIGHT RETROFIT KIT FOR 8" SQUARE FIXTURES – NO DIMMING

CCT	INPUT VOLTAGE	CFL REPLACEMENT	PART NUMBER
3000K	120-277VAC	2x26w	TLK-DR88A-A22630DO
	120-277VAC	2x32w	TLK-DR88A-A23230DO
	120-277VAC	2x42w	TLK-DR88A-A24230DO
3500K	120-277VAC	2x26w	TLK-DR88A-A22635DO
	120-277VAC	2x32w	TLK-DR88A-A23235DO
	120-277VAC	2x42w	TLK-DR88A-A24235DO
4000K	120-277VAC	2x26w	TLK-DR88A-A22640DO
	120-277VAC	2x32w	TLK-DR88A-A23240DO
	120-277VAC	2x42w	TLK-DR88A-A24240DO

Battery Backup option available for DRV, DR6, DR8, DR10 and DR88.

Add "BB" to the end of the part number.

RETROFIT ORDERING GUIDE

DLR6-H LED DOWNLIGHT RETROFIT KIT

CCT	PART NUMBER	INPUT VOLTAGE	DIMMING
2700K	TLK-DLR6H-D0427-1D	100-277 VAC	None
	TLK-DLR6H-B0427-1D	100-277 VAC	0-10V
3000K	TLK-DLR6H-D0430-1D	100-277 VAC	None
	TLK-DLR6H-B0430-1D	100-277 VAC	0-10V
3500K	TLK-DLR6H-D0435-1D	100-277 VAC	None
	TLK-DLR6H-B0435-1D	100-277 VAC	0-10V
4000K	TLK-DLR6H-D0440-1D	100-277 VAC	None
	TLK-DLR6H-B0440-1D	100-277 VAC	0-10V
5000K	TLK-DLR6H-D0450-1D	100-277 VAC	None
	TLK-DLR6H-B0450-1D	100-277 VAC	0-10V

DLR7-H LED DOWNLIGHT RETROFIT KIT

CCT	PART NUMBER	INPUT VOLTAGE	DIMMING
2700K	TLK-DLR7H-D0427	100-277 VAC	None
	TLK-DLR7H-B0427	100-277 VAC	0-10V
3000K	TLK-DLR7H-D0430	100-277 VAC	None
	TLK-DLR7H-B0430	100-277 VAC	0-10V
3500K	TLK-DLR7H-D0435	100-277 VAC	None
	TLK-DLR7H-B0435	100-277 VAC	0-10V
4000K	TLK-DLR7H-D0440	100-277 VAC	None
	TLK-DLR7H-B0440	100-277 VAC	0-10V
5000K	TLK-DLR7H-D0450	100-277 VAC	None
	TLK-DLR7H-B0450	100-277 VAC	0-10V

MR16C LED TRACK HEAD

CCT	BODY COLOR	COMPATIBLE TRACK	DESCRIPTION	PART NUMBER
2700K	White	J Track	LED Trackhead	TRK-R16C10-A5027-WTJ
	White	L Track	LED Trackhead	TRK-R16C10-A5027-WTL
	White	H Track	LED Trackhead	TRK-R16C10-A5027-WTH
	Black	J Track	LED Trackhead	TRK-R16C10-A5027-BKJ
	Black	L Track	LED Trackhead	TRK-R16C10-A5027-BKL
	Black	H Track	LED Trackhead	TRK-R16C10-A5027-BKH
3000K	White	J Track	LED Trackhead	TRK-R16C10-A5030-WTJ
	White	L Track	LED Trackhead	TRK-R16C10-A5030-WTL
	White	H Track	LED Trackhead	TRK-R16C10-A5030-WTH
	Black	J Track	LED Trackhead	TRK-R16C10-A5030-BKJ
	Black	L Track	LED Trackhead	TRK-R16C10-A5030-BKL
	Black	H Track	LED Trackhead	TRK-R16C10-A5030-BKH
3500K	White	J Track	LED Trackhead	TRK-R16C10-A5035-WTJ
	White	L Track	LED Trackhead	TRK-R16C10-A5035-WTL
	White	H Track	LED Trackhead	TRK-R16C10-A5035-WTH
	Black	J Track	LED Trackhead	TRK-R16C10-A5035-BKJ
	Black	L Track	LED Trackhead	TRK-R16C10-A5035-BKL
	Black	H Track	LED Trackhead	TRK-R16C10-A5035-BKH
4000K	White	J Track	LED Trackhead	TRK-R16C10-A5040-WTJ
	White	L Track	LED Trackhead	TRK-R16C10-A5040-WTL
	White	H Track	LED Trackhead	TRK-R16C10-A5040-WTH
	Black	J Track	LED Trackhead	TRK-R16C10-A5040-BKJ
	Black	L Track	LED Trackhead	TRK-R16C10-A5040-BKL
	Black	H Track	LED Trackhead	TRK-R16C10-A5040-BKH

FIXTURE ORDERING GUIDE

DECORATIVE MR16 LED LAMP

CCT	DESCRIPTION	BASE	DESCRIPTION	PART NUMBER
3000K	Decorative MR16 LED Lamp	GU 5.3	Decorative MR16 LED Lamp	TLL-R16A-A2030NFD

D6 DOWNLIGHT FIXTURE – NO DIMMING

CCT	INPUT VOLTAGE	CFL EQUIVALENT	PART NUMBER	OPTIONS
2700K	120-277VAC	1x18w	TLK-D6A-A11827DO	None
	120-277VAC	2x13w	TLK-D6A-A21327DO	None
	120-277VAC	2x18w	TLK-D6A-A21827DO	None
	120-277VAC	1x42w	TLK-D6A-A14227DO	None
	120-277VAC	2x26w	TLK-D6A-A22627DO	None
3000K	120-277VAC	1x18w	TLK-D6A-A11830DO	None
	120-277VAC	2x13w	TLK-D6A-A21330DO	None
	120-277VAC	2x18w	TLK-D6A-A21830DO	None
	120-277VAC	1x42w	TLK-D6A-A14230DO	None
	120-277VAC	2x26w	TLK-D6A-A22630DO	None
3500K	120-277VAC	1x18w	TLK-D6A-A11835DO	None
	120-277VAC	2x13w	TLK-D6A-A21335DO	None
	120-277VAC	2x18w	TLK-D6A-A21835DO	None
	120-277VAC	1x42w	TLK-D6A-A14235DO	None
	120-277VAC	2x26w	TLK-D6A-A22635DO	None
4000K	120-277VAC	1x18w	TLK-D6A-A11840DO	None
	120-277VAC	2x13w	TLK-D6A-A21340DO	None
	120-277VAC	2x18w	TLK-D6A-A21840DO	None
	120-277VAC	1x42w	TLK-D6A-A14240DO	None
	120-277VAC	2x26w	TLK-D6A-A22640DO	None
2700K	120-277VAC	1x18w	TLK-D6A-A11827DOBB	Battery Back Up
	120-277VAC	2x13w	TLK-D6A-A21327DOBB	Battery Back Up
	120-277VAC	2x18w	TLK-D6A-A21827DOBB	Battery Back Up
	120-277VAC	1x42w	TLK-D6A-A14227DOBB	Battery Back Up
	120-277VAC	2x26w	TLK-D6A-A22627DOBB	Battery Back Up
3000K	120-277VAC	1x18w	TLK-D6A-A11830DOBB	Battery Back Up
	120-277VAC	2x13w	TLK-D6A-A21330DOBB	Battery Back Up
	120-277VAC	2x18w	TLK-D6A-A21830DOBB	Battery Back Up
	120-277VAC	1x42w	TLK-D6A-A14230DOBB	Battery Back Up
	120-277VAC	2x26w	TLK-D6A-A22630DOBB	Battery Back Up
3500K	120-277VAC	1x18w	TLK-D6A-A11835DOBB	Battery Back Up
	120-277VAC	2x13w	TLK-D6A-A21335DOBB	Battery Back Up
	120-277VAC	2x18w	TLK-D6A-A21835DOBB	Battery Back Up
	120-277VAC	1x42w	TLK-D6A-A14235DOBB	Battery Back Up
	120-277VAC	2x26w	TLK-D6A-A22635DOBB	Battery Back Up
4000K	120-277VAC	1x18w	TLK-D6A-A11840DOBB	Battery Back Up
	120-277VAC	2x13w	TLK-D6A-A21340DOBB	Battery Back Up
	120-277VAC	2x18w	TLK-D6A-A21840DOBB	Battery Back Up
	120-277VAC	1x42w	TLK-D6A-A14240DOBB	Battery Back Up
	120-277VAC	2x26w	TLK-D6A-A22640DOBB	Battery Back Up

FIXTURE ORDERING GUIDE

D8 DOWNLIGHT FIXTURE – NO DIMMING

CCT	INPUT VOLTAGE	CFL EQUIVALENT	PART NUMBER	OPTIONS
3000K	120-277VAC	2x26w	TLF-D8A-A22630DO	None
	120-277VAC	2x32w	TLF-D8A-A23230DO	None
	120-277VAC	2x42w	TLF-D8A-A24230DO	None
3500K	120-277VAC	2x26w	TLF-D8A-A22635DO	None
	120-277VAC	2x32w	TLF-D8A-A23235DO	None
	120-277VAC	2x42w	TLF-D8A-A24235DO	None
4000K	120-277VAC	2x26w	TLF-D8A-A22640DO	None
	120-277VAC	2x32w	TLF-D8A-A23240DO	None
	120-277VAC	2x42w	TLF-D8A-A24240DO	None
3000K	120-277VAC	2x26w	TLF-D8A-A22630DOBB	Battery Back Up
	120-277VAC	2x32w	TLF-D8A-A23230DOBB	Battery Back Up
	120-277VAC	2x42w	TLF-D8A-A24230DOBB	Battery Back Up
3500K	120-277VAC	2x26w	TLF-D8A-A22635DOBB	Battery Back Up
	120-277VAC	2x32w	TLF-D8A-A23235DOBB	Battery Back Up
	120-277VAC	2x42w	TLF-D8A-A24235DOBB	Battery Back Up
4000K	120-277VAC	2x26w	TLF-D8A-A22640DOBB	Battery Back Up
	120-277VAC	2x32w	TLF-D8A-A23240DOBB	Battery Back Up
	120-277VAC	2x42w	TLF-D8A-A24240DOBB	Battery Back Up

DV6 DOWNLIGHT FIXTURE – NO DIMMING

CCT	INPUT VOLTAGE	CFL EQUIVALENT	PART NUMBER	OPTIONS
2700K	120-277VAC	1x18w	TLF-DV6A-A11827DO	None
	120-277VAC	1x26w	TLF-DV6A-A12627DO	None
	120-277VAC	1x32w	TLF-DV6A-A13227DO	None
	120-277VAC	1x42w	TLF-DV6A-A14227DO	None
3000K	120-277VAC	1x18w	TLF-DV6A-A11830DO	None
	120-277VAC	1x26w	TLF-DV6A-A12630DO	None
	120-277VAC	1x32w	TLF-DV6A-A13230DO	None
	120-277VAC	1x42w	TLF-DV6A-A14230DO	None
3500K	120-277VAC	1x18w	TLF-DV6A-A11835DO	None
	120-277VAC	1x26w	TLF-DV6A-A12635DO	None
	120-277VAC	1x32w	TLF-DV6A-A13235DO	None
	120-277VAC	1x42w	TLF-DV6A-A14235DO	None
4000K	120-277VAC	1x18w	TLF-DV6A-A11840DO	None
	120-277VAC	1x26w	TLF-DV6A-A12640DO	None
	120-277VAC	1x32w	TLF-DV6A-A13240DO	None
	120-277VAC	1x42w	TLF-DV6A-A14240DO	None
2700K	120-277VAC	1x18w	TLF-DV6A-A11827DOBB	Battery Back Up
	120-277VAC	1x26w	TLF-DV6A-A12627DOBB	Battery Back Up
	120-277VAC	1x32w	TLF-DV6A-A13227DOBB	Battery Back Up
	120-277VAC	1x42w	TLF-DV6A-A14227DOBB	Battery Back Up
3000K	120-277VAC	1x18w	TLF-DV6A-A11830DOBB	Battery Back Up
	120-277VAC	1x26w	TLF-DV6A-A12630DOBB	Battery Back Up
	120-277VAC	1x32w	TLF-DV6A-A13230DOBB	Battery Back Up
	120-277VAC	1x42w	TLF-DV6A-A14230DOBB	Battery Back Up
3500K	120-277VAC	1x18w	TLF-DV6A-A11835DOBB	Battery Back Up
	120-277VAC	1x26w	TLF-DV6A-A12635DOBB	Battery Back Up
	120-277VAC	1x32w	TLF-DV6A-A13235DOBB	Battery Back Up
	120-277VAC	1x42w	TLF-DV6A-A14235DOBB	Battery Back Up
4000K	120-277VAC	1x18w	TLF-DV6A-A11840DOBB	Battery Back Up
	120-277VAC	1x26w	TLF-DV6A-A12640DOBB	Battery Back Up
	120-277VAC	1x32w	TLF-DV6A-A13240DOBB	Battery Back Up
	120-277VAC	1x42w	TLF-DV6A-A14240DOBB	Battery Back Up

FIXTURE ORDERING GUIDE

DV8 DOWNLIGHT FIXTURE – NO DIMMING

CCT	INPUT VOLTAGE	CFL EQUIVALENT	PART NUMBER	OPTIONS
2700K	120-277VAC	1x18w	TLF-DV8A-A11827DO	None
	120-277VAC	1x26w	TLF-DV8A-A12627DO	None
	120-277VAC	1x32w	TLF-DV8A-A13227DO	None
	120-277VAC	1x42w	TLF-DV8A-A14227DO	None
3000K	120-277VAC	1x18w	TLF-DV8A-A11830DO	None
	120-277VAC	1x26w	TLF-DV8A-A12630DO	None
	120-277VAC	1x32w	TLF-DV8A-A13230DO	None
	120-277VAC	1x42w	TLF-DV8A-A14230DO	None
3500K	120-277VAC	1x18w	TLF-DV8A-A11835DO	None
	120-277VAC	1x26w	TLF-DV8A-A12635DO	None
	120-277VAC	1x32w	TLF-DV8A-A13235DO	None
	120-277VAC	1x42w	TLF-DV8A-A14235DO	None
4000K	120-277VAC	1x18w	TLF-DV8A-A11840DO	None
	120-277VAC	1x26w	TLF-DV8A-A12640DO	None
	120-277VAC	1x32w	TLF-DV8A-A13240DO	None
	120-277VAC	1x42w	TLF-DV8A-A14240DO	None
2700K	120-277VAC	1x18w	TLF-DV8A-A11827DOBB	Battery Back Up
	120-277VAC	1x26w	TLF-DV8A-A12627DOBB	Battery Back Up
	120-277VAC	1x32w	TLF-DV8A-A13227DOBB	Battery Back Up
	120-277VAC	1x42w	TLF-DV8A-A14227DOBB	Battery Back Up
3000K	120-277VAC	1x18w	TLF-DV8A-A11830DOBB	Battery Back Up
	120-277VAC	1x26w	TLF-DV8A-A12630DOBB	Battery Back Up
	120-277VAC	1x32w	TLF-DV8A-A13230DOBB	Battery Back Up
	120-277VAC	1x42w	TLF-DV8A-A14230DOBB	Battery Back Up
3500K	120-277VAC	1x18w	TLF-DV8A-A11835DOBB	Battery Back Up
	120-277VAC	1x26w	TLF-DV8A-A12635DOBB	Battery Back Up
	120-277VAC	1x32w	TLF-DV8A-A13235DOBB	Battery Back Up
	120-277VAC	1x42w	TLF-DV8A-A14235DOBB	Battery Back Up
4000K	120-277VAC	1x18w	TLF-DV8A-A11840DOBB	Battery Back Up
	120-277VAC	1x26w	TLF-DV8A-A12640DOBB	Battery Back Up
	120-277VAC	1x32w	TLF-DV8A-A13240DOBB	Battery Back Up
	120-277VAC	1x42w	TLF-DV8A-A14240DOBB	Battery Back Up

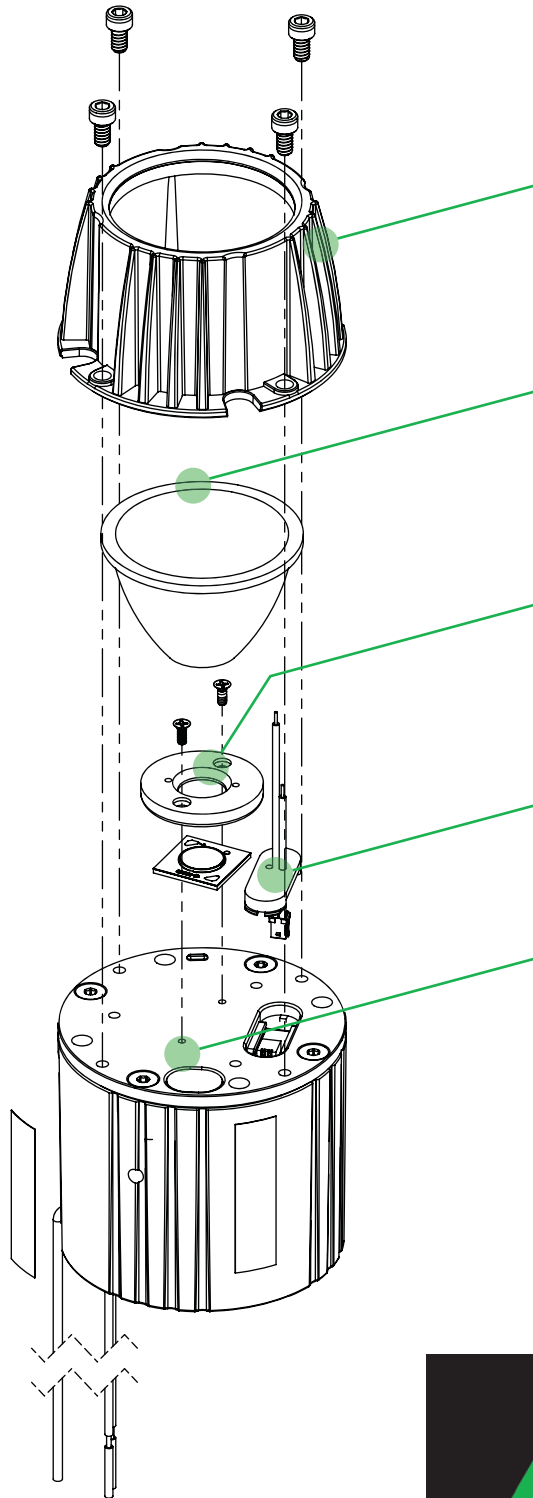
D88 DOWNLIGHT FIXTURE – NO DIMMING

CCT	INPUT VOLTAGE	CFL EQUIVALENT	PART NUMBER	OPTIONS
3000K	120-277VAC	2x26w	TLF-D88A-A22630DO	None
	120-277VAC	2x32w	TLF-D88A-A23230DO	None
	120-277VAC	2x42w	TLF-D88A-A24230DO	None
3500K	120-277VAC	2x26w	TLF-D88A-A22635DO	None
	120-277VAC	2x32w	TLF-D88A-A23235DO	None
	120-277VAC	2x42w	TLF-D88A-A24235DO	None
4000K	120-277VAC	2x26w	TLF-D88A-A22640DO	None
	120-277VAC	2x32w	TLF-D88A-A23240DO	None
	120-277VAC	2x42w	TLF-D88A-A24240DO	None
3000K	120-277VAC	2x26w	TLF-D88A-A22630DOBB	Battery Back Up
	120-277VAC	2x32w	TLF-D88A-A23230DOBB	Battery Back Up
	120-277VAC	2x42w	TLF-D88A-A24230DOBB	Battery Back Up
3500K	120-277VAC	2x26w	TLF-D88A-A22635DOBB	Battery Back Up
	120-277VAC	2x32w	TLF-D88A-A23235DOBB	Battery Back Up
	120-277VAC	2x42w	TLF-D88A-A24235DOBB	Battery Back Up
4000K	120-277VAC	2x26w	TLF-D88A-A22640DOBB	Battery Back Up
	120-277VAC	2x32w	TLF-D88A-A23240DOBB	Battery Back Up
	120-277VAC	2x42w	TLF-D88A-A24240DOBB	Battery Back Up



TERRALUX
OEM PRODUCTS

YOUR DESIGN PARTNER



MECHANICAL

Components that allow maximum flexibility in a wide range of fixture shapes and sizes, utilizing industry-standard connection methods.

OPTICAL

Optical systems that deliver crisp, clean beams, at extremely high tolerances, in compact form factors.

THERMAL

Patented thermal management software optimizes light output by continually comparing the LED board temperature to the thermal and current limits specified by the LEDs LM-80 curve.

CONTROL

Products featuring compatibility with control and dimming systems, including electronic, magnetic, phase and 0-10V.

ELECTRICAL

Every component specified and tested beyond the conditions experienced by fixtures in the field. Reliability analysis based on Telcordia SR332 Ed. 3. Long-term demonstration via MTBF.



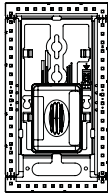
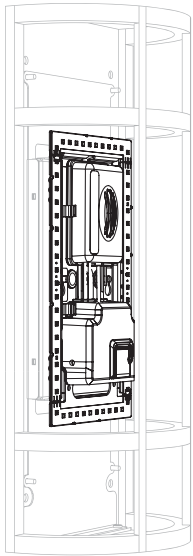
Terralux is a Colorado based ISO 9001 certified manufacturer of LED lighting for the OEM market.

Our products speed manufacturer time to market through ease of integration, strong performance to value, and industry leading reliability.

Terralux holds over 35 patents across the most critical aspects of LED technology.

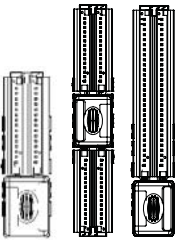
INTEGRATED SOLUTIONS

LED ENGINES



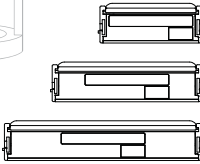
TLM-SR95

For wall sconces
LOP: 800 - 2000 lm (to 121 lm/W)
CCT: 2700, 3000, 3500, 4000
Voltage: 120-277V, 0-10V dimming



TLM-SR308, -312M, 312S

For wall sconces, vanity fixtures, pendants
LOP: 1100 - 2100 lm (to 152 lm/W)
CCT: 2700, 3000, 3500, 4000
Voltage: 120-277V, 0-10V dimming

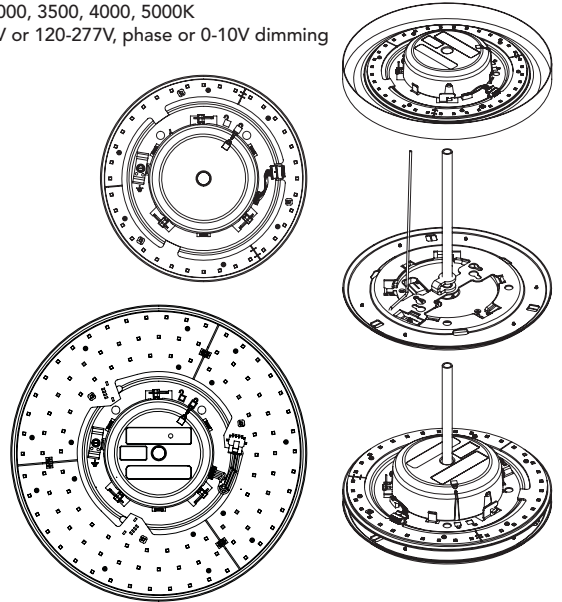


TLM-L04, -L06, L08

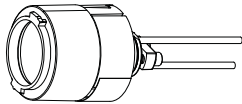
For step lights, wall packs, wall sconces
LOP: 500 - 1000 lm
CCT: 2700, 3000, 3500, 4000, 5000K
Voltage: 120V or 120-277V, phase or 0-10V dimming

TLM-D08, -D12

For ceiling, pendant, parking garage fixtures
LOP: 1000 - 4400 lm (to 135 lm/W)
CCT: 2700, 3000, 3500, 4000, 5000K
Voltage: 120V or 120-277V, phase or 0-10V dimming

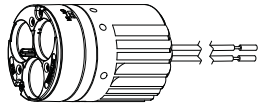


SPOT ENGINES



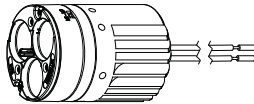
TLM-R08

For landscape, pathway, deck fixtures
LOP: Up to 250 lm
CBCP: Up to 2840 cd
Beam: 12°, 21°, 41°, 360°



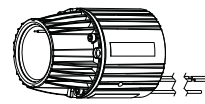
TLM-R16D-A35

For landscape fixtures
LOP: 300 - 450 lm
CBCP: Up to 7675 cd
Beam: 12°, 21°, 41°



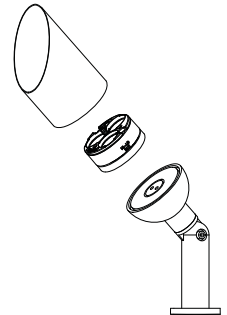
TLM-R16D-A50

For landscape fixtures
LOP: 450 - 760 lm
CBCP: up to 10,960 cd
Beam: 12°, 21°, 41°

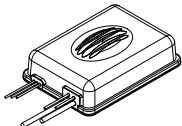


TLM-R20

For landscape, track fixtures
LOP: Up to 1280 lm
CBCP: Up to 7942 cd
Beam: 15°, 24°, 35°, 51°

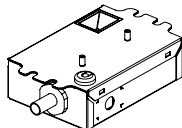


DRIVERS



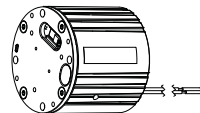
U15LP

LED driver with 10 adjustable settings
Power Out: 4W - 16W
Current Out: 100 - 330 mA
Voltage: 120-277V, 0-10V dimming



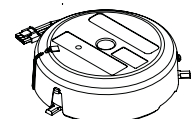
U7, U15, U45

7W, 15W and 45W LED drivers
Power Out: 5W-31W depending on model
Current Out: 0.125-0.85 mA depending on model
Voltage: 120V or 120-277V, phase or 0-10V dimming



U12R2.5

LED driver with 4 adjustable settings
Power Out: 12.6W
Current Out: 350 mA
Voltage: 120-277V, 0-10V dimming



U12D4, U27D4

Low-profile, round LED drivers
Power Out: 12W - 27W
Current Out: 325 mA, 500-750 mA
Voltage: 120V or 120-277V, phase or 0-10V dimming

TERRALUX

MISSION

The most reliable and straightforward OEM lighting components for specification, spot and decorative applications

HISTORY

- 14 years of expertise in retrofit solutions
- 35 patents in retrofit technology

AWARDS



TERRALUX

RETROFIT LED LIGHTING



TERRALUX

Founded in Boulder, Colorado, Terralux has been designing and manufacturing energy efficient LED lighting solutions since 2003.

Terralux products serve both the LED retrofit of existing buildings, and as LED modules for original equipment luminaire manufacturers.

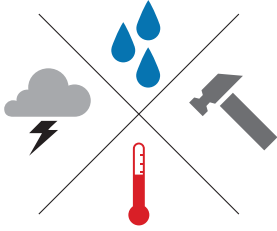
Engineered with patented, intelligent on-board drive circuitry the LED retrofits can be warrantied for up to 10 years and 24/7 operation.

Complete lighting solutions cover the needs of multi-unit residential complexes, commercial office buildings, hotels, hospitals, universities and college campus environments.

All products are certified with either ENERGY STAR® or DLC, and are UL certified.

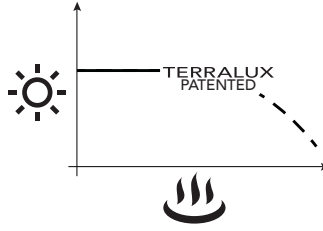
Performance

LIFETIME



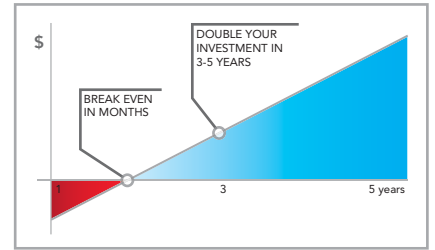
RIGOROUS TESTING

Products tested to reliability standards. Mean-time between failure (MTBF) exceeds 5 million hours, exceeding typical product reliability by 8-10X.



PATENTED THERMAL PROTECTION

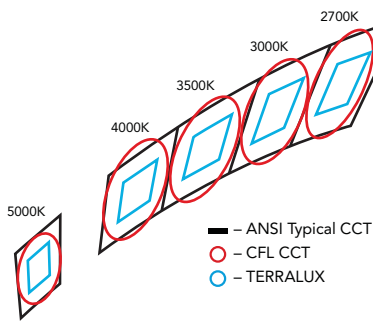
TERRALUX products integrate LM80 data with microprocessors so the products are continuously protected against heat and last beyond L70 at 60,000 hours.



PAYBACK

Your brightest investment is LED retrofit. Energy savings realized immediately with no additional reliance on bulbs, ballasts or labor.

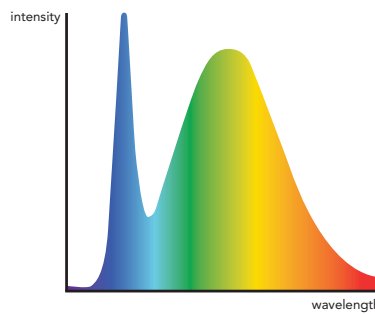
COLOR QUALITY



TIGHT CONSISTENCY

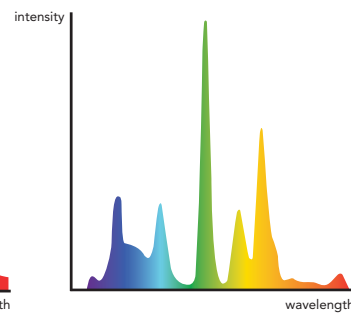
TERRALUX uses LEDs within a 3 MacAdam ellipse space. Every fixture looks the same.

VISIBLE LIGHT FROM DIFFERENT SOURCES



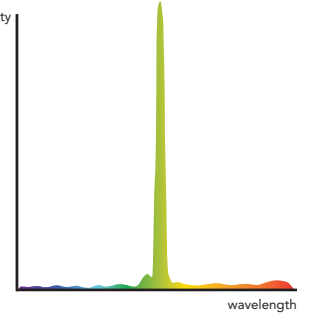
LED FULL SPECTRUM

This source emits a full range of colors for better color rendition.



CFL LIMITED SPECTRUM

This source reproduces spikes and troughs of each color of visible light.



HID NARROW SPECTRUM

This source is highly centered in the green and yellow wavelengths of color.

AWARDS



Retrofit

**PUT YOUR EXISTING INFRASTRUCTURE TO WORK,
LOWERING ENERGY AND OPERATIONAL COSTS**



INDUSTRY-UNIQUE RETROFIT SOLUTIONS

Terralux engineers our LED lighting retrofits from the component level to optimize lifetime, performance, and value. Our commercial-grade LED products exceed performance of new light fixtures at a fraction of the cost.



FAST AND EASY

Our LED retrofit products install quickly into a wide variety of commercial fixture types. Installation expense is minimal with zero disruption to your business.



PRESERVES YOUR EXISTING LIGHT FIXTURES

Make use of the light fixtures you have, no stranded costs or wasted materials, preserving the ambiance of the building.



PAYBACK IN MONTHS, NOT YEARS

Our LED retrofit products provide compelling economics, paying back quickly on energy, parts and labor savings. We can provide zero upfront cost options with our Payback Accelerator™ program.



MOST RELIABLE LED PRODUCTS

The industry's best warrantied LED products engineered to reliability standards*, ENERGY STAR® and UL standards for field installation and 24/7 commercial operation.

*Telcordia testing originally developed for use in the military and telecommunications ensures performance and quality of service, interface specifications, and equipment capabilities. In electronics it provides the rigorous methodology to eliminate weak points in system design and warranty extremely long service life.



Retrofit Product: Terralux LED downlight

LED Downlight Retrofit

D_RV SERIES – Vertical Lamp Replacement



D_R SERIES – Round, Horizontal Lamp Replacement



D_R SERIES – Square, Horizontal Lamp Replacement

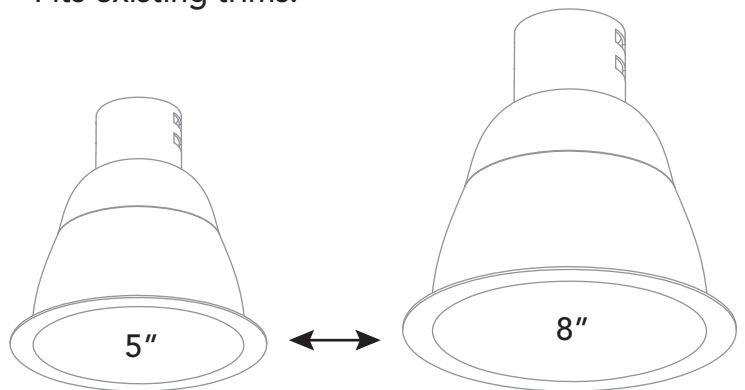


DOWNLIGHT TRIM OPTIMIZATION

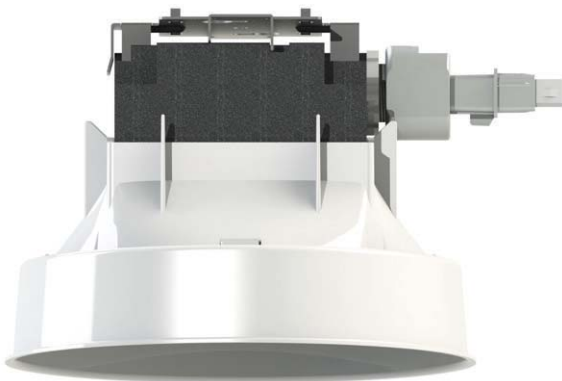
DRV — Replaces: 1 or 2 vertical mount CFL lamps, or HID lamps



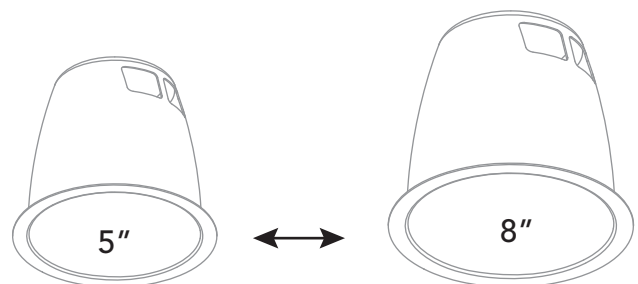
Fits existing trims:



DR6 — Replaces: 1 or 2 horizontal mount CFL lamps



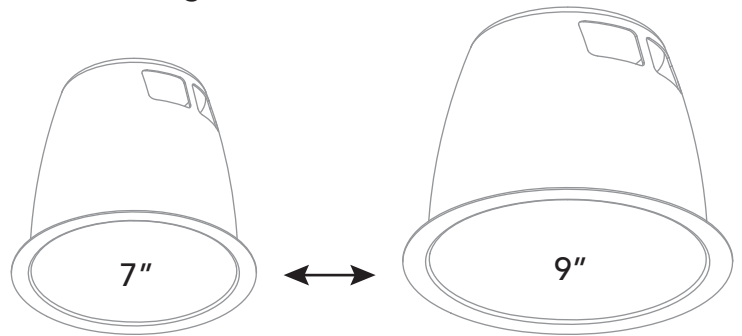
Fits existing trims:



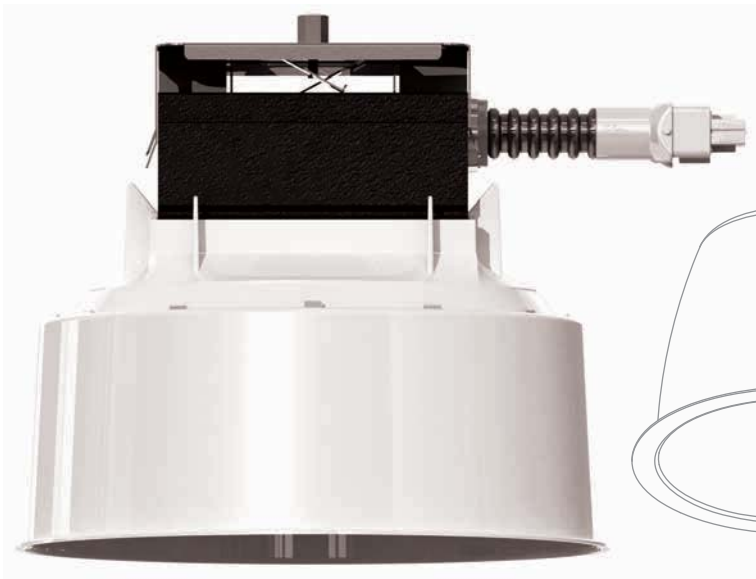
DR8 — Replaces: 1 or 2 horizontal mount CFL lamps



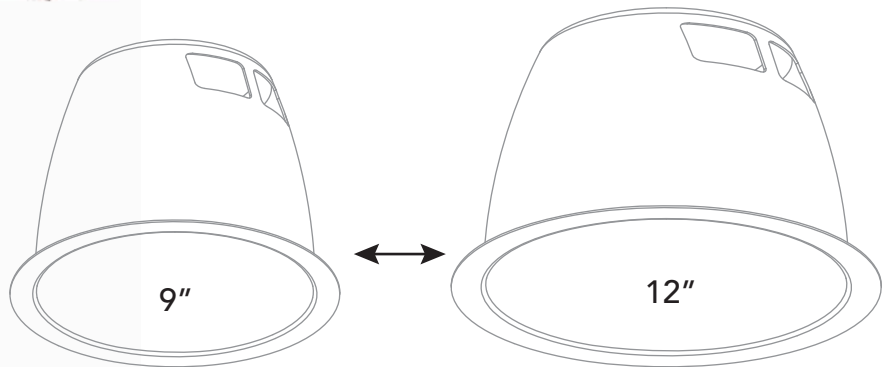
Fits existing trims:



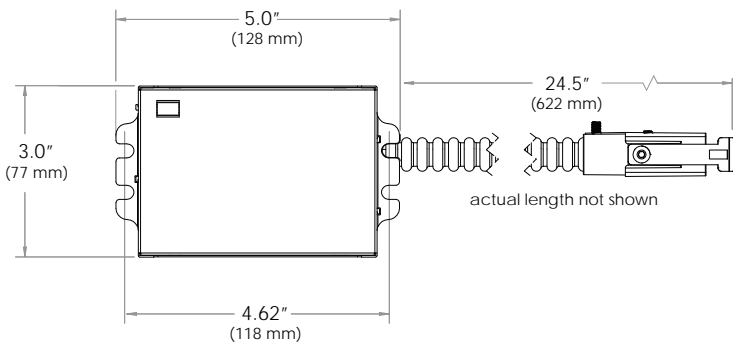
DR10 — Replaces: 1 or 2 horizontal mount CFL lamps



Fits existing trims:

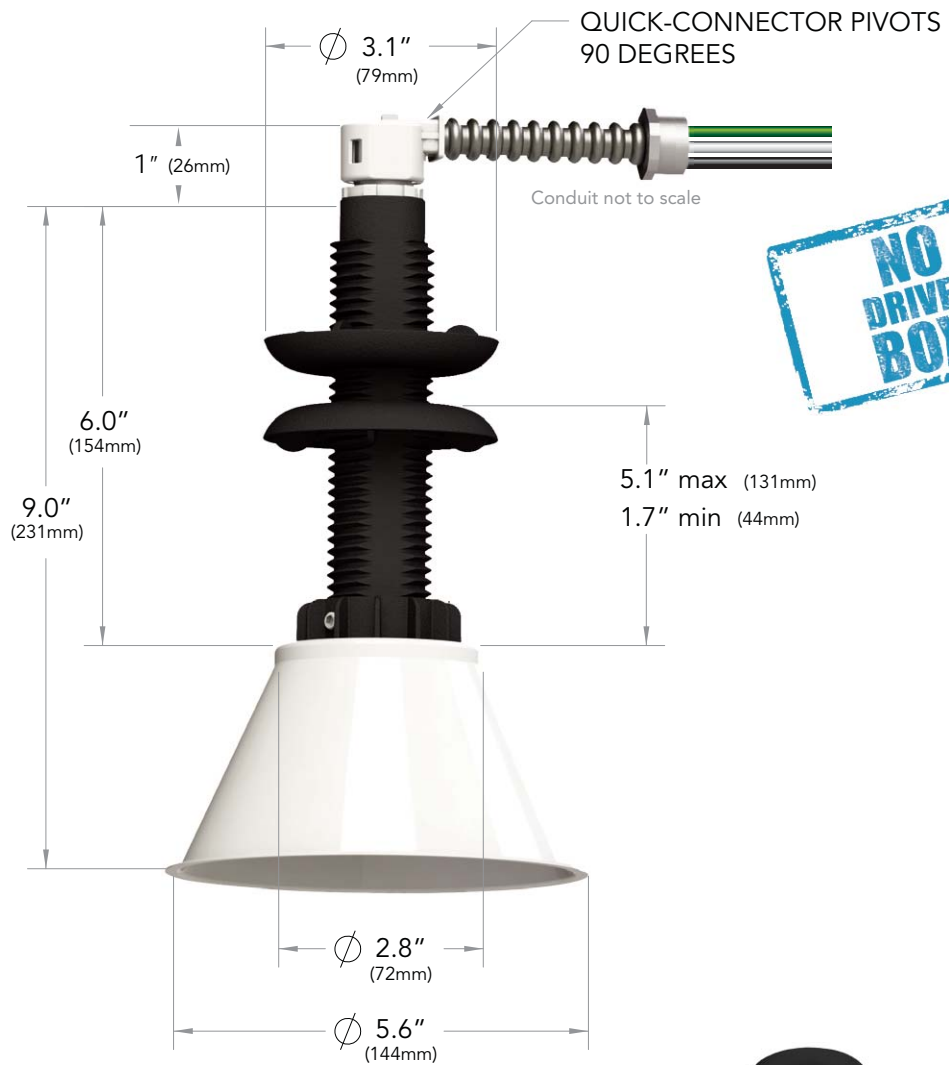


LED DRIVER — Included in downlight Retrofit kits

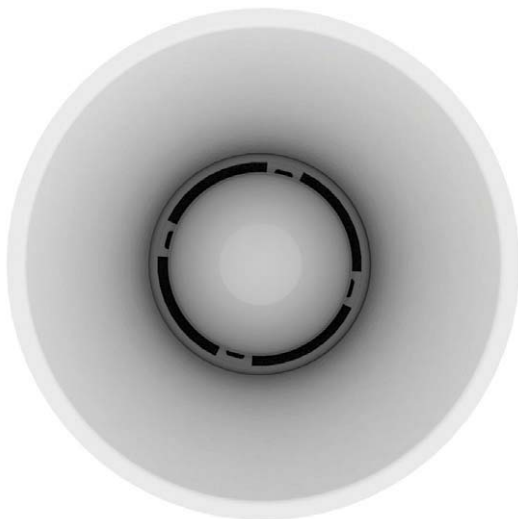


D_RVL – Low Output LED Vertical Retrofit

**NEW
PRODUCT**



**NO
DRIVER
BOX!**

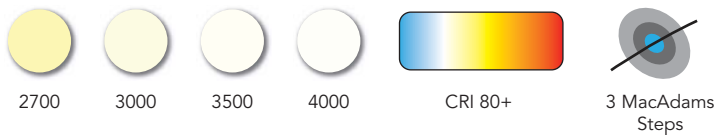


Replaces CFL + Ballast Inside Existing Trim

FEATURES

DRVL LED retrofit kits provide an easy-to-install, energy efficient upgrade for existing downlights that utilize vertically mounted pin-based CFL lamps with lower lumen packages. DRVL virtually eliminates maintenance while providing equal light output, superior light quality, and more than 50% energy savings.

Example applications: Downlights, soffit lights



5 YEAR WARRANTY – Engineered to operate reliably when installed in both open and closed type fixtures



ENERGY STAR® – Certified LED Downlight Retrofit kit provides access to utility rebate programs nationwide



FAST INSTALLATION – Installs in minutes, as quickly and easily as a traditional compact fluorescent ballast and lamp



VOLTAGE OPTIONS – 120VAC - 277VAC



SURGE PROTECTED – Robust integrated surge protection provides commercial grade reliability



UL 1598C – Certified for field installation inside existing fixtures as an LED retrofit

REPLACES

1x13w



Retrofit:	DRVL - 113
Lumen Output*:	625 lm
Input Watts*:	7.6w
Efficacy*:	>80 lm/w

1x18w



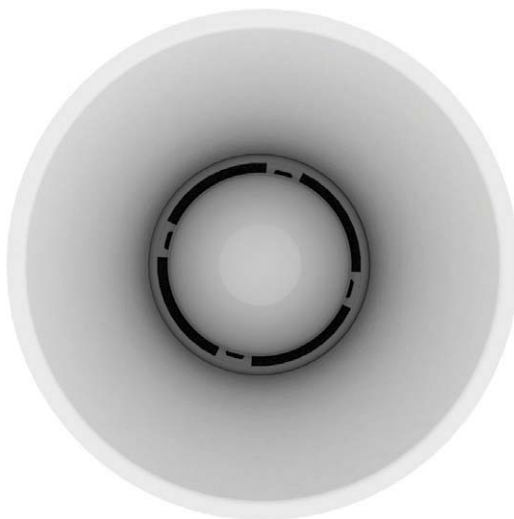
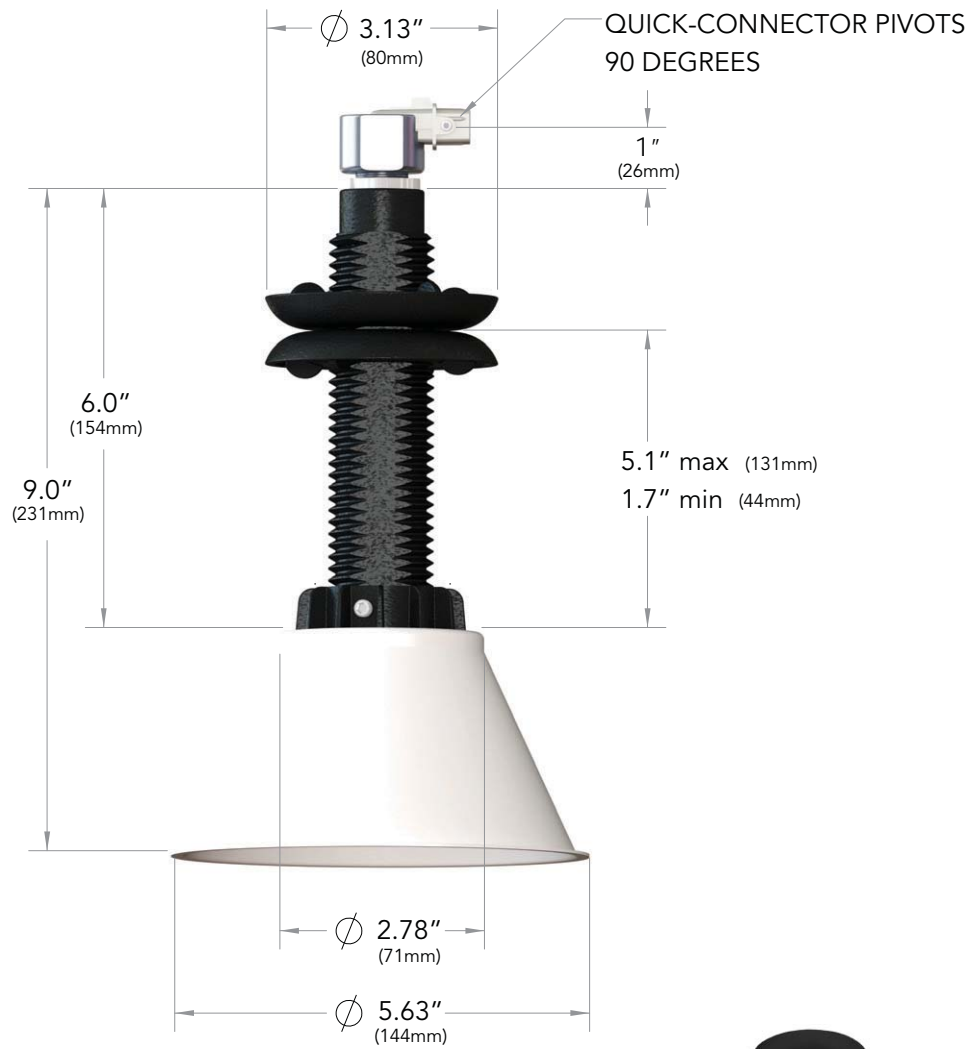
Retrofit:	DRVL - 118
Lumen Output*:	800 lm
Input Watts*:	10.5w
Efficacy*:	>80 lm/w

PATENTS

7,777,430; 8,400,081; Additional Pat. Pend.

* Measured at 3000K, 120 VAC, delivered lumens

D_RV – LED Vertical Retrofit

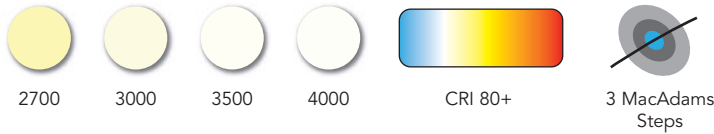


Replaces CFL + Ballast Inside Existing Trim

FEATURES

A DRV LED retrofit kit lets you quickly upgrade any pin-based CFL downlight using a vertically mounted lamp. Using under half the power for the same light, delivering color quality above 80 CRI, with a lifetime beyond 60,000 hours, you see beautiful, maintenance free light for years to come.

Example applications: Downlights, soffit lights



10 YEAR WARRANTY – Engineered to operate reliably when installed in both open and closed type fixtures



ENERGY STAR® – Certified LED Downlight Retrofit kit provides access to utility rebate programs nationwide



FAST INSTALLATION – Installs in minutes, as quickly and easily as a traditional compact fluorescent ballast and lamp



120, 277, 347

VOLTAGE OPTIONS – 120VAC / 277VAC, 347VAC (1x32w, 1x42w)



BATTERY BACKUP – Optional emergency battery provides emergency lighting for >90 minutes and is certified to UL924 for field installation



SURGE PROTECTED – Robust integrated surge protection provides commercial grade reliability



UL 1598C – Certified for field installation inside existing fixtures as an LED retrofit

Control Options

Phase Dimming, 0-10V Dimming, LEDSENSE®

PATENTS

7,777,430; 8,400,081; Additional Pat. Pend.

REPLACES

1x18w



Retrofit:	DRV - 118
Lumen Output*:	984 lm
Input Watts*:	12.5w
Efficacy*:	>78 lm/w

1x26w



Retrofit:	DRV - 126
Lumen Output*:	1035 lm
Input Watts*:	13.3w
Efficacy*:	>77 lm/w

1x32w



Retrofit:	DRV - 132
Lumen Output*:	1259 lm
Input Watts*:	17.5w
Efficacy*:	>72 lm/w

1x42w

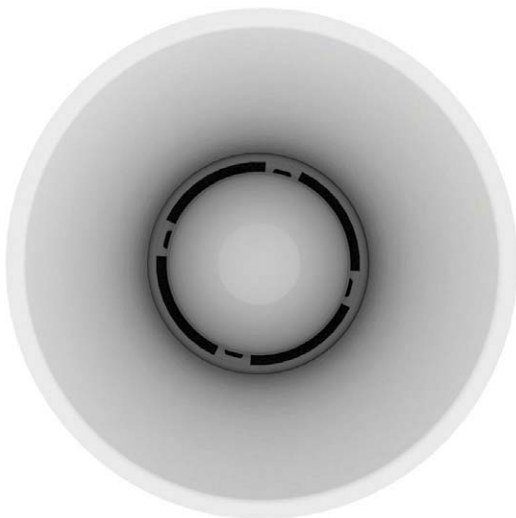
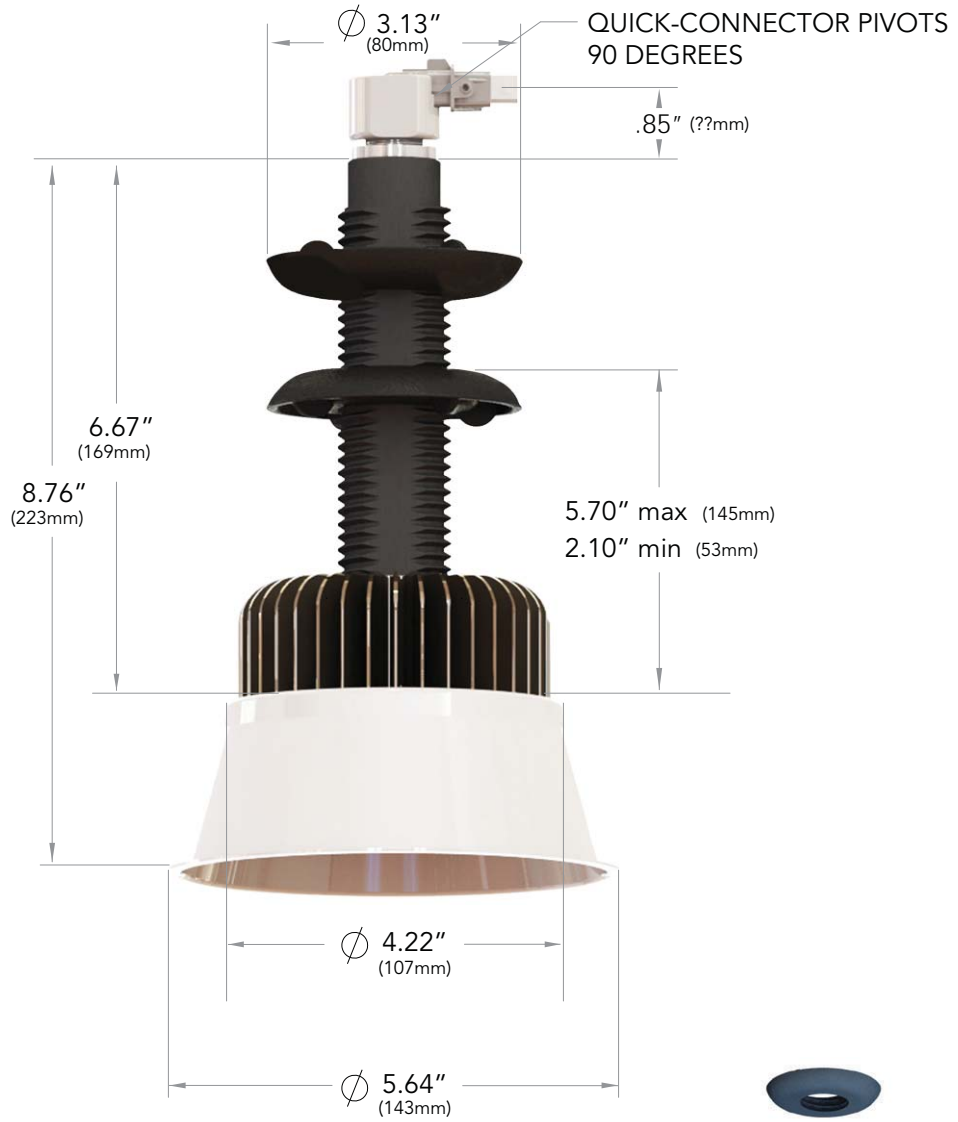


Retrofit:	DRV - 142
Lumen Output*:	1361 lm
Input Watts*:	19.9w
Efficacy*:	>68 lm/w

* Measured at 3000K, 120 VAC, delivered lumens

D_RVH – LED Vertical Retrofit

**NEW
PRODUCT**

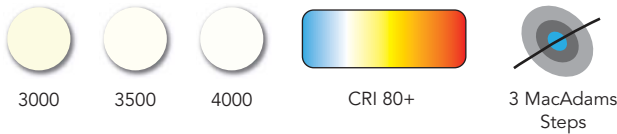


Replaces HID Lamp + Ballast Inside Existing Trim

FEATURES

DRVH LED retrofit kits provide an easy-to-install, energy efficient upgrade for existing downlights that utilize vertically mounted HID lamps with higher lumen packages. Backed by a 10-year warranty – even in 24/7 commercial operation – DRVH virtually eliminates maintenance while providing equal light output, superior light quality, and more than 50% energy savings.

Example applications: Downlights, soffit lights



10 YEAR WARRANTY – Engineered to operate reliably when installed in both open and closed type fixtures



ENERGY STAR® – Certified LED Downlight Retrofit kit provides access to utility rebate programs nationwide



FAST INSTALLATION – Installs in minutes, as quickly and easily as a traditional compact fluorescent ballast and lamp



VOLTAGE OPTIONS – 120VAC / 277VAC, 347VAC (5 year warranty)



BATTERY BACKUP – Optional emergency battery provides emergency lighting for >90 minutes and is certified to UL924 for field installation



SURGE PROTECTED – Robust integrated surge protection provides commercial grade reliability



UL 1598C – Certified for field installation inside existing fixtures as an LED retrofit

Control Options

Phase Dimming, 0-10V Dimming, LEDSENSE®

PATENTS

7,777,430; 8,400,081; Additional Pat. Pend.

REPLACES

1x70w



Retrofit:	D _R VH - 20
Lumen Output*:	2000 lm
Input Watts*:	18.2w
Efficacy*:	>110 lm/w

1x100w



Retrofit:	D _R VH - 25
Lumen Output*:	2500 lm
Input Watts*:	27.2w
Efficacy*:	>100 lm/w

1x175w



Retrofit:	D _R VH - 30
Lumen Output*:	3000 lm
Input Watts*:	32.8w
Efficacy*:	>95 lm/w

* Measured at 3000K, 120 VAC, delivered lumens



GOODBYE CFL...



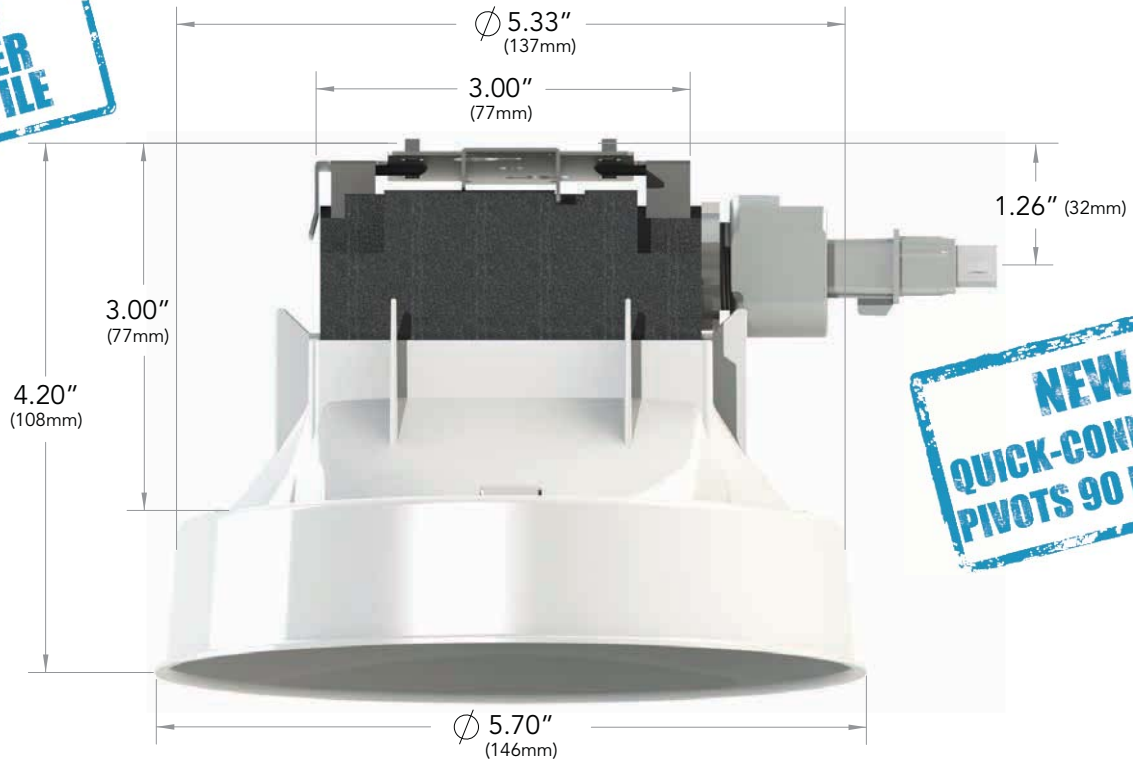
EXIT

HELLO LED

Retrofit Product: Terralux DR8

D_R6 – LED Downlight Retrofit - 6"

**NEW
LOWER
PROFILE**



**NEW
QUICK-CONNECTOR
PIVOTS 90 DEGREES**

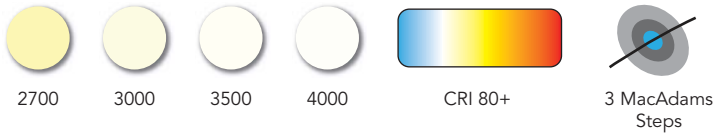


Replaces CFL + Ballast Inside Existing Trim

FEATURES

DR6 LED retrofit kits provide an easy-to-install, energy efficient upgrade for existing 6" or 7" diameter downlights that utilize horizontally mounted pin-based CFL lamps. Backed by a 10-year warranty – even in 24/7 commercial operation – DR6 virtually eliminates maintenance while providing equal light output, superior light quality, and more than 50% energy savings.

Example applications: Downlights, soffit lights



10 YEAR WARRANTY – Engineered to operate reliably when installed in both open and closed type fixtures



ENERGY STAR® – Certified LED Downlight Retrofit kit provides access to utility rebate programs nationwide



FAST INSTALLATION – Installs in minutes, as quickly and easily as a traditional compact fluorescent ballast and lamp



VOLTAGE OPTIONS – 120VAC / 277VAC, 347VAC (2x18w, 1x42w, 2x26w)



BATTERY BACKUP – Optional emergency battery provides emergency lighting for >90 minutes and is certified to UL924 for field installation



SURGE PROTECTED – Robust integrated surge protection provides commercial grade reliability



UL 1598C – Certified for field installation inside existing fixtures as an LED retrofit

Control Options

Phase Dimming, 0-10V Dimming, LEDSENSE®

PATENTS

7,777,430; 8,400,081; Additional Pat. Pend.

REPLACES

1x18w



Retrofit:	DR6 - 118
Lumen Output*:	800 lm
Input Watts*:	12.3w
Efficacy*:	>90 lm/w

2x13w



Retrofit:	DR6 - 213
Lumen Output*:	1155 lm
Input Watts*:	13.0w
Efficacy*:	>88 lm/w

2x18w



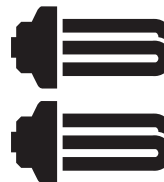
Retrofit:	DR6 - 218
Lumen Output*:	1600 lm
Input Watts*:	17.1w
Efficacy*:	>86 lm/w

1x42w



Retrofit:	DR6 - 142
Lumen Output*:	1865 lm
Input Watts*:	19.7w
Efficacy*:	>84 lm/w

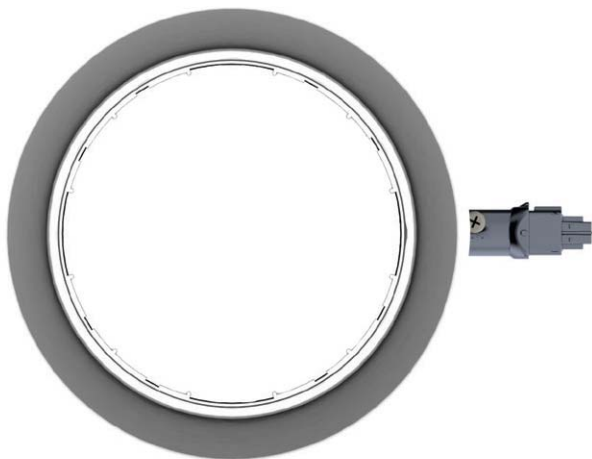
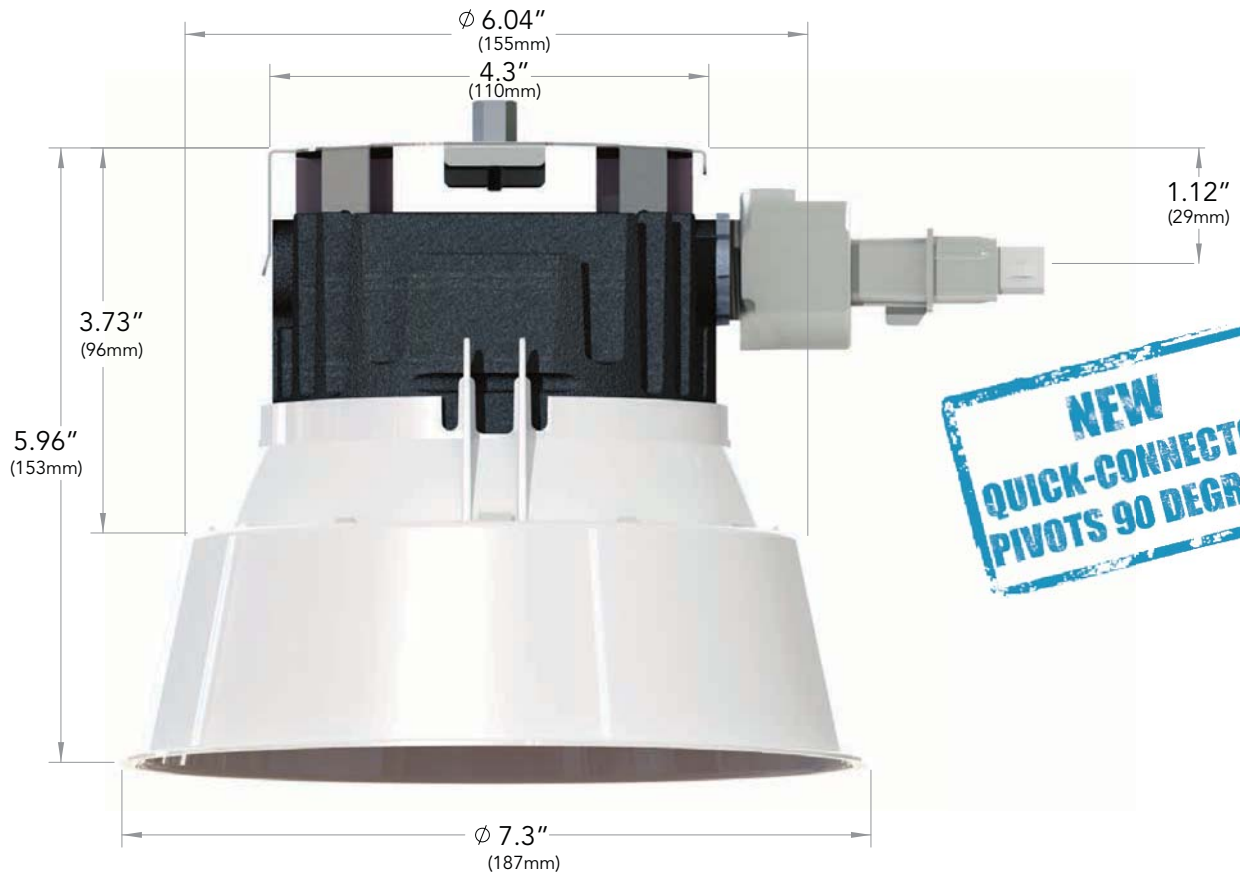
2x26w



Retrofit:	DR6 - 226
Lumen Output*:	2300 lm
Input Watts*:	26.9w
Efficacy*:	>83 lm/w

* Measured at 3000K, 120 VAC, delivered lumens

DR8 – LED Downlight Retrofit - 8"

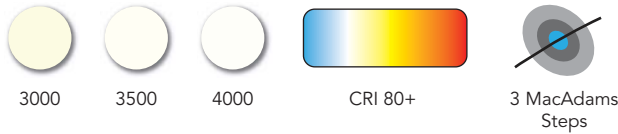


Replaces CFL + Ballast Inside Existing Trim

FEATURES

A DR8 LED retrofit kit lets you quickly upgrade any 8 or 9 inch diameter pin-based CFL downlight using horizontally mounted lamps. Using under half the power for the same light, delivering color quality above 80 CRI, with a lifetime beyond 60,000 hours, you see beautiful, maintenance free light for years to come.

Example applications: Downlights, soffit lights



10 YEAR WARRANTY – Engineered to operate reliably when installed in both open and closed type fixtures



ENERGY STAR® – Certified LED Downlight Retrofit kit provides access to utility rebate programs nationwide



FAST INSTALLATION – Installs in minutes, as quickly and easily as a traditional compact fluorescent ballast and lamp



VOLTAGE OPTIONS – 120VAC / 277VAC, 347VAC



BATTERY BACKUP – Optional emergency battery provides emergency lighting for >90 minutes and is certified to UL924 for field installation



SURGE PROTECTED – Robust integrated surge protection provides commercial grade reliability



UL 1598C – Certified for field installation inside existing fixtures as an LED retrofit

Control Options

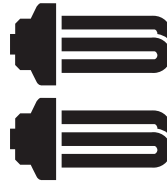
Phase Dimming, 0-10V Dimming, LEDSENSE®

PATENTS

7,777,430; 8,400,081; Additional Pat. Pend.

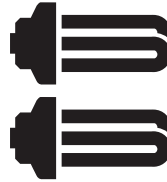
REPLACES

2x26w



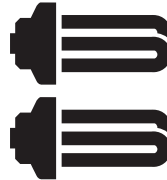
Retrofit:	DR8 - 226
Lumen Output*:	2144 lm
Input Watts*:	25.5w
Efficacy*:	>84 lm/w

2x32w



Retrofit:	DR8 - 232
Lumen Output*:	2240 lm
Input Watts*:	27.2w
Efficacy*:	>82 lm/w

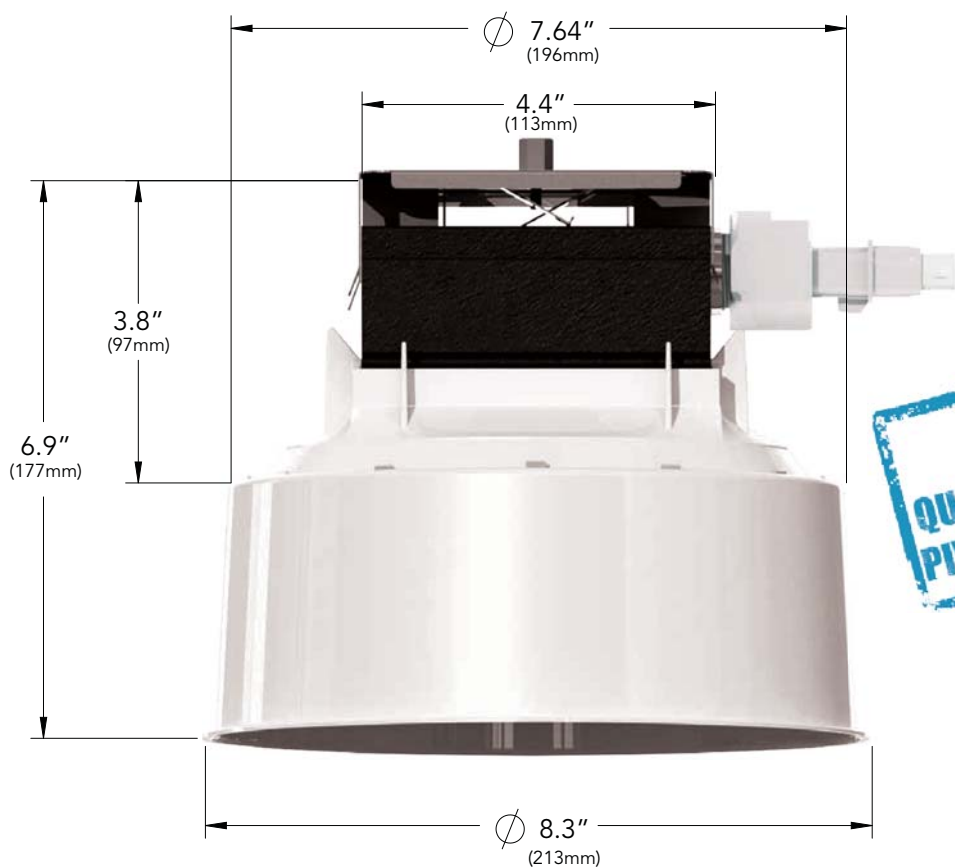
2x42w



Retrofit:	DR8 - 242
Lumen Output*:	2665 lm
Input Watts*:	33.8w
Efficacy*:	>78 lm/w

* Measured at 3000K, 120 VAC, delivered lumens

D_R10 – LED Downlight Retrofit - 10"

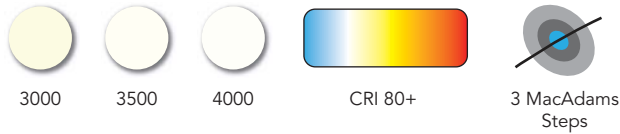


Replaces CFL + Ballast Inside Existing Trim

FEATURES

A DR10 LED retrofit kit lets you quickly upgrade any 9 to 12 inch diameter pin-based CFL downlight using horizontally mounted lamps. Using under half the power for the same light, delivering color quality above 80 CRI, with a lifetime beyond 60,000 hours, you see beautiful, maintenance free light for years to come.

Example applications: Downlights, soffit lights



10 YEAR WARRANTY – Engineered to operate reliably when installed in both open and closed type fixtures



ENERGY STAR® – Certified LED Downlight Retrofit kit provides access to utility rebate programs nationwide



FAST INSTALLATION – Installs in minutes, as quickly and easily as a traditional compact fluorescent ballast and lamp



VOLTAGE OPTIONS – 120VAC / 277VAC, 347VAC



BATTERY BACKUP – Optional emergency battery provides emergency lighting for >90 minutes and is certified to UL924 for field installation



SURGE PROTECTED – Robust integrated surge protection provides commercial grade reliability



UL 1598C – Certified for field installation inside existing fixtures as an LED retrofit

Control Options

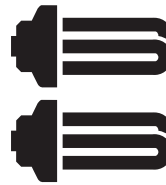
Phase Dimming, 0-10V Dimming, LEDSENSE®

PATENTS

7,777,430; 8,400,081; Additional Pat. Pend.

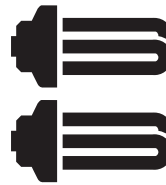
REPLACES

2x26w



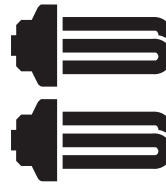
Retrofit:	DR10 - 226
Lumen Output*:	2153 lm
Input Watts*:	26.3w
Efficacy*:	>81 lm/w

2x32w



Retrofit:	DR10 - 232
Lumen Output*:	2281 lm
Input Watts*:	28.0w
Efficacy*:	>81 lm/w

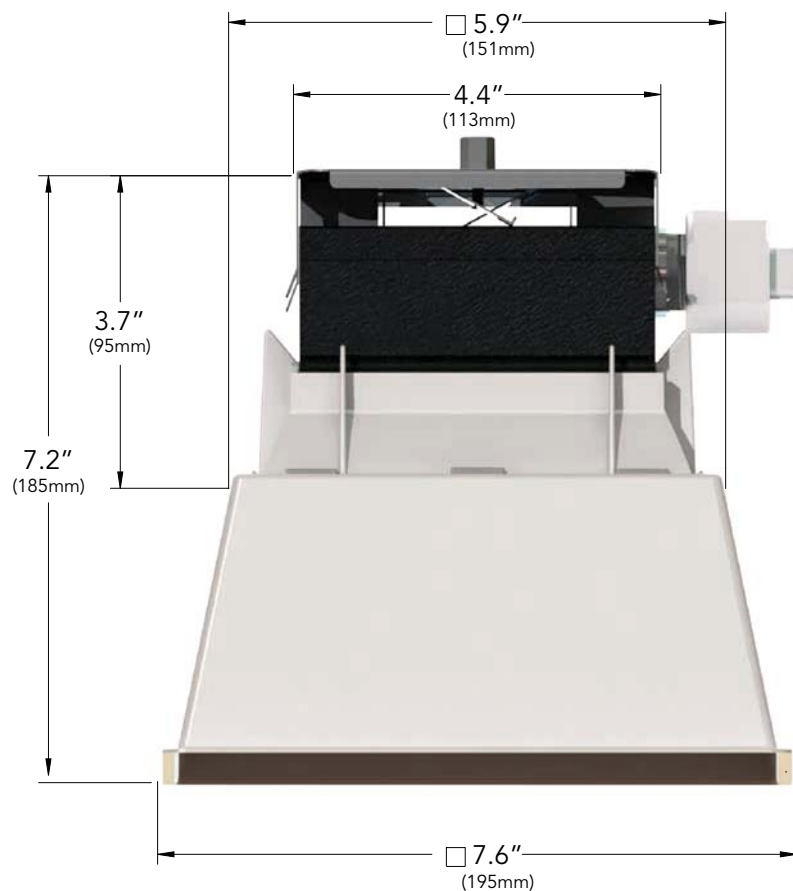
2x42w



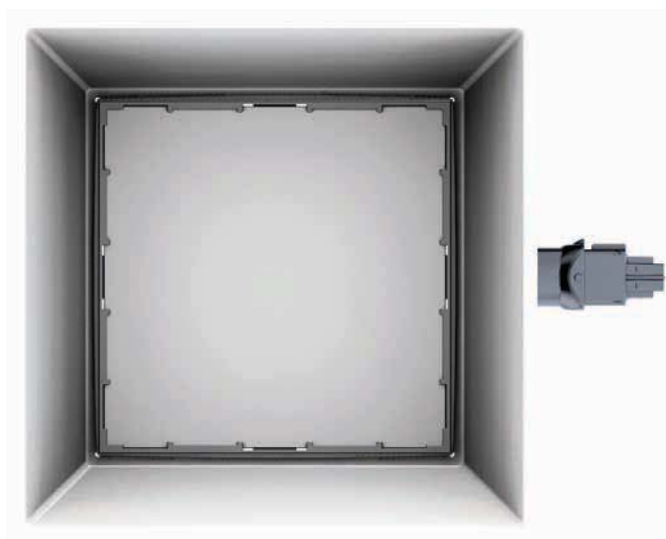
Retrofit:	DR10 - 242
Lumen Output*:	2700 lm
Input Watts*:	34.7w
Efficacy*:	>77 lm/w

* Measured at 3000K, 120 VAC, delivered lumens

DR88 – LED Downlight Retrofit - 8" x 8"



NEW
QUICK-CONNECTOR
PIVOTS 90 DEGREES

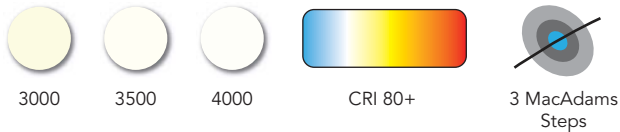


Replaces Dual CFL + Ballast, 8" x 8" Trim

FEATURES

A DR88 LED retrofit kit lets you quickly upgrade any 8 to 12 inch square pin-based CFL downlight using horizontally mounted lamps. Using under half the power for the same light, delivering color quality above 80 CRI, with a lifetime beyond 60,000 hours, you see beautiful, maintenance free light for years to come.

Example applications: Downlights, soffit lights



10 YEAR WARRANTY – Engineered to operate reliably when installed in both open and closed type fixtures



ENERGY STAR® – Certified LED Downlight Retrofit kit provides access to utility rebate programs nationwide



FAST INSTALLATION – Installs in minutes, as quickly and easily as a traditional compact fluorescent ballast and lamp



120, 277, 347

VOLTAGE OPTIONS – 120VAC / 277VAC, 347VAC



BATTERY BACKUP – Optional emergency battery provides emergency lighting for >90 minutes and is certified to UL924 for field installation



SURGE PROTECTED – Robust integrated surge protection provides commercial grade reliability



UL 1598C – Certified for field installation inside existing fixtures as an LED retrofit

Control Options

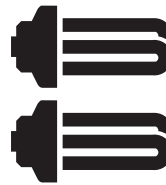
Phase Dimming, 0-10V Dimming, LEDSENSE®

PATENTS

7,777,430; 8,400,081; Additional Pat. Pend.

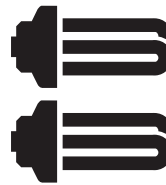
REPLACES

2x26w



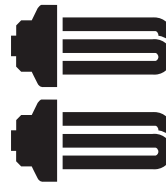
Retrofit:	DR88 - 226
Lumen Output*:	2281 lm
Input Watts*:	27.7w
Efficacy*:	>82 lm/w

2x32w



Retrofit:	DR88 - 232
Lumen Output*:	2467 lm
Input Watts*:	29.8w
Efficacy*:	>82 lm/w

2x42w



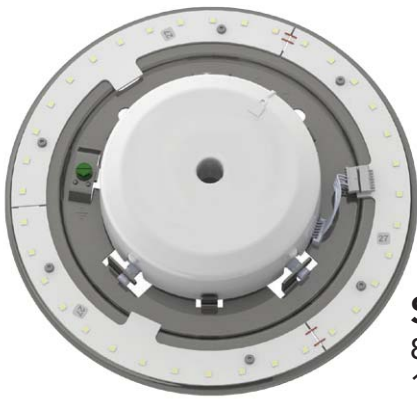
Retrofit:	DR88 - 242
Lumen Output*:	2916 lm
Input Watts*:	36.1w
Efficacy*:	>80 lm/w

* Measured at 3000K, 120 VAC, delivered lumens

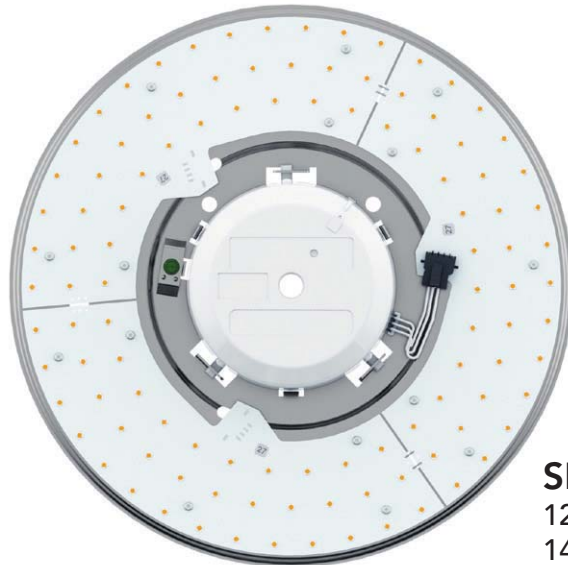


Ceiling Fixture Retrofit Product: Terralux SR8
Wall Sconce Retrofit Product: Terralux L06

S_R – Ceiling and Pendant Mount LED Retrofit



SR8
8" Round
10" - 16" Fixtures

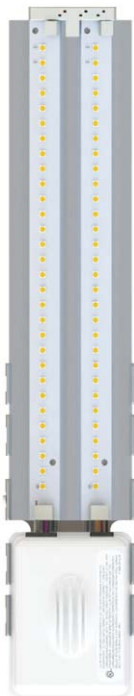


SR12
12" Round
14" - 30" Fixtures

S_R – Wall Mount LED Retrofit



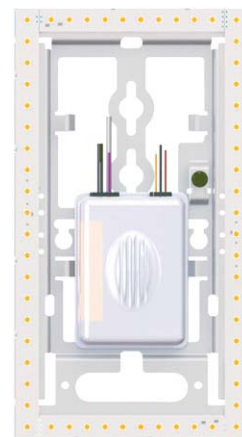
SR308
3" x 8"



SR312S
3" x 12"



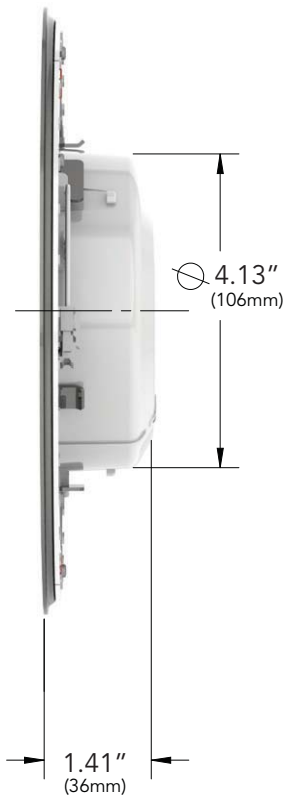
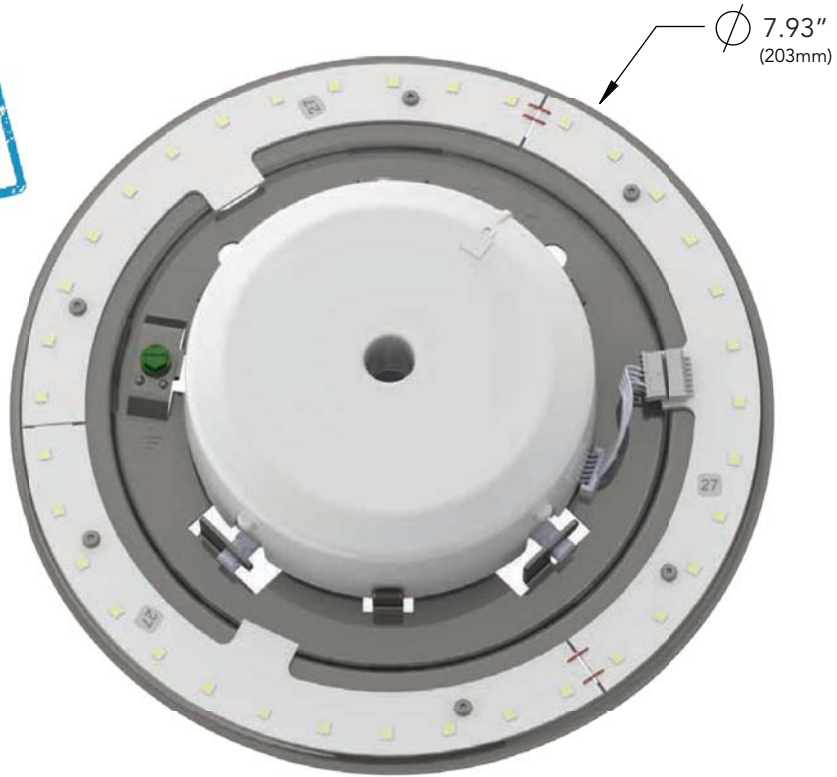
SR312M
3" x 12"



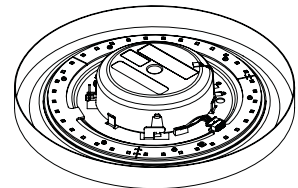
SR95
9" x 5"

S_R8 – LED Circular Retrofit - 8"

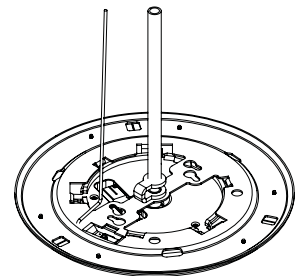
**NEW
10W
VERSION**



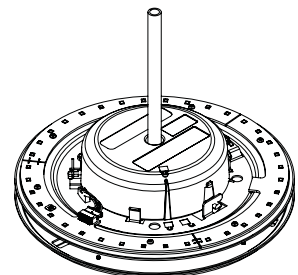
SURFACE MOUNT



PENDANT MOUNT



BACK TO BACK



Replaces Pin & Circular CFL

FEATURES

An SR8 LED retrofit kit lets you quickly upgrade any flush, semi-flush, or pendant mount ceiling fixture. Using under half the power of CFL for the same light, delivering color quality above 80 CRI, with a lifetime beyond 60,000 hours, you see beautiful, maintenance free light for years to come.

Example applications: Ceiling domes, drum pendants, wall sconces



7 YEAR WARRANTY – Engineered to operate reliably when installed in both open and closed type fixtures



ENERGY STAR® – Certified LED Ceiling Fixture Retrofit kit provides access to utility rebate programs nationwide



FAST INSTALLATION – Installs in minutes, as quickly and easily as a traditional compact fluorescent ballast and lamp



VOLTAGE OPTIONS – 120VAC - 277VAC



SURGE PROTECTED – Robust integrated surge protection provides commercial grade reliability



UL 1598C – Certified for field installation inside existing fixtures as an LED retrofit

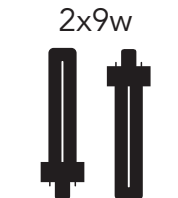
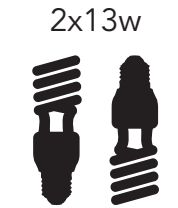
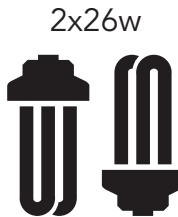
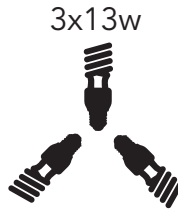
Control Options

Phase Dimming

PATENTS

7,777,430; 8,400,081; 8,823,290; 9,049,768; Additional Pat. Pend.

REPLACES



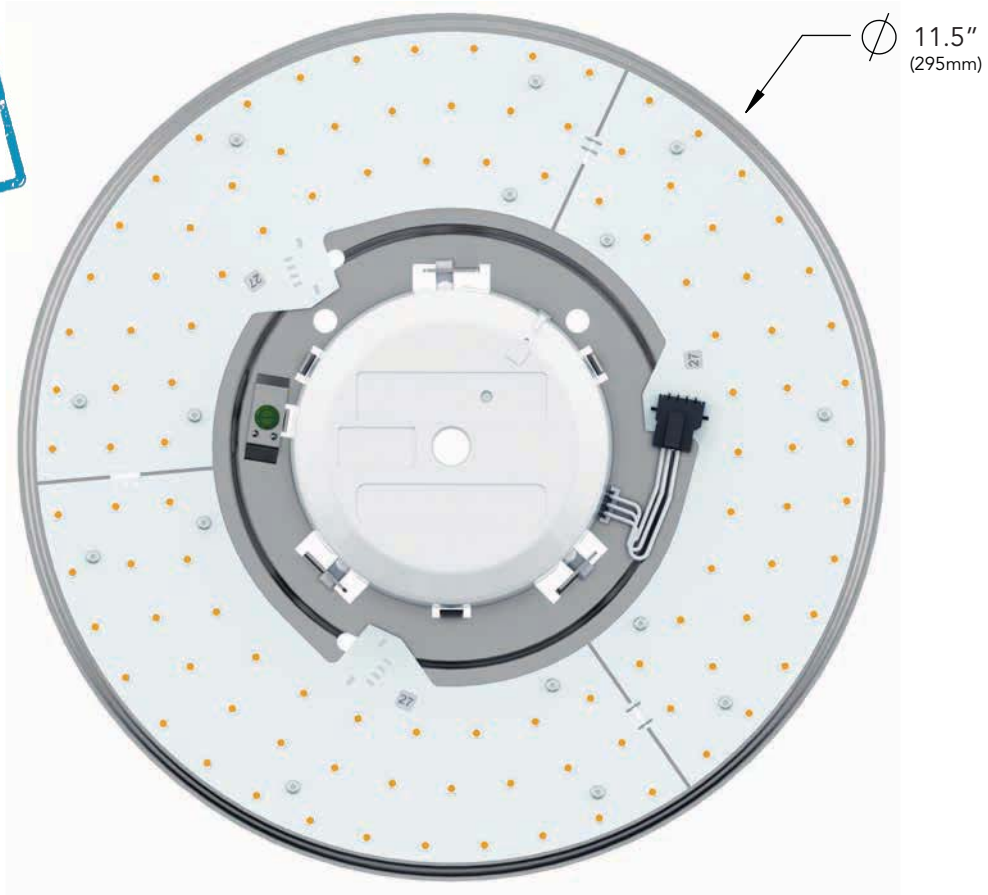
Retrofit:	SR8
Lumen Output*:	1365 lm
Input Watts*:	15.0w
Efficacy*:	>89 lm/w

Retrofit:	SR8 - 10W
Lumen Output*:	1087 lm
Input Watts*:	10.0w
Efficacy*:	>108 lm/w

* Measured at 3000K, 120 VAC, delivered lumens

S_R12 – LED Circular Retrofit -12"

**NEW
PRODUCT**



Replaces Pin CFL & HID

FEATURES

An SR12 LED retrofit kit lets you quickly upgrade any flush, semi-flush, or pendant mount ceiling fixture in one of four different lumen packages. Using under half the power of CFL for the same light, it delivers up to 135 lm/W with a lifetime beyond 60,000 hours for beautiful, maintenance free light.

Example applications: Ceiling domes, drum pendants, wall sconces



7 YEAR WARRANTY – Engineered to operate reliably when installed in both open and closed type fixtures



ENERGY STAR® – Certified LED Ceiling Fixture Retrofit kit provides access to utility rebate programs nationwide



FAST INSTALLATION – Installs in minutes, as quickly and easily as a traditional compact fluorescent ballast and lamp



VOLTAGE OPTIONS – 120VAC - 277VAC



SURGE PROTECTED – Robust integrated surge protection provides commercial grade reliability



UL 1598C – Certified for field installation inside existing fixtures as an LED retrofit

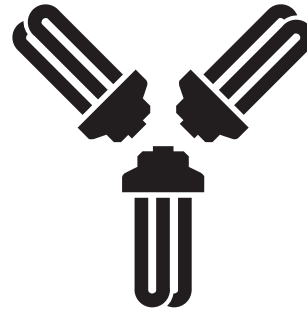
Control Options

Phase Dimming, 0-10V Dimming, LEDSENSE®

PATENTS

7,777,430; 8,400,081; 8,823,290; 9,049,768; Additional Pat. Pend.

REPLACES



CFL
3x26w
3x32w
3x42w



HID
70w
100w
175w

LUMEN PACKAGES

Retrofit: SR12 - 25

Lumen Output*: 2510 lm

Input Watts*: 21.6w

Efficacy*: >116 lm/w

Specifications subject to change

Retrofit: SR12 - 30

Lumen Output*: 3024 lm

Input Watts*: 27.3w

Efficacy*: >111 lm/w

Specifications subject to change

Retrofit: SR12 - 35

Lumen Output*: 3406 lm

Input Watts*: 31.7w

Efficacy*: >107 lm/w

Specifications subject to change

Retrofit: SR12 - 40

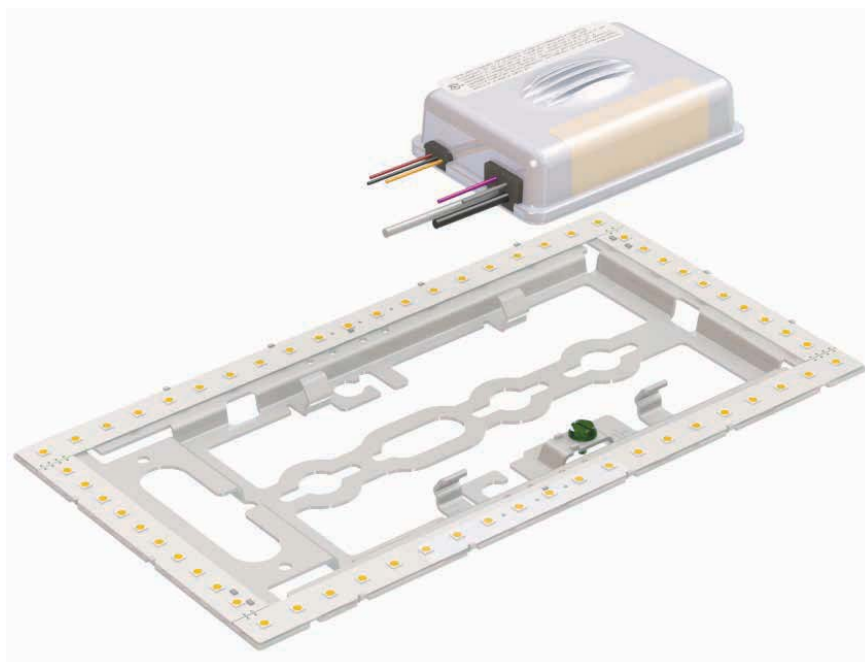
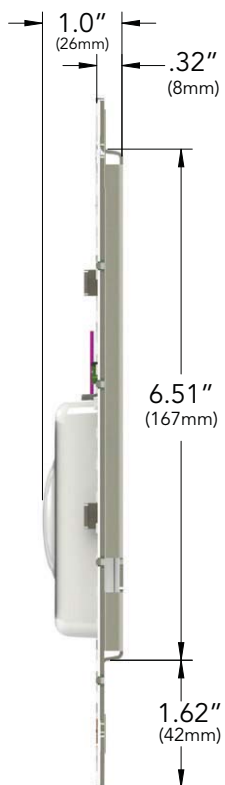
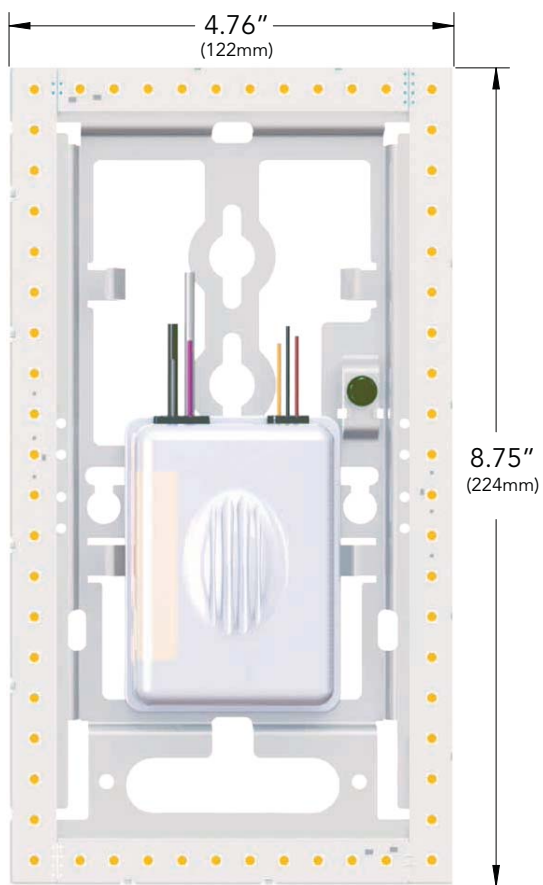
Lumen Output*: 3884 lm

Input Watts*: 32.5w

Efficacy*: >119 lm/w

Specifications subject to change

S_R95 – LED Rectangular Retrofit - 9" x 5"

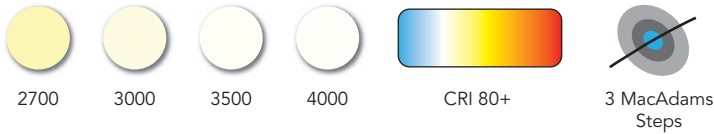


Replaces CFL + Ballast Inside Existing Fixture

FEATURES

An SR95 LED retrofit kit lets you quickly upgrade your favorite sconces. Using under half the power of CFL for the same light, delivering color quality above 80 CRI, with a lifetime beyond 60,000 hours, you see beautiful, maintenance free light for years to come.

Example applications: Wall sconces



7 YEAR WARRANTY – Engineered to operate reliably when installed in both open and closed type fixtures



ENERGY STAR® – Certified LED Wall Sconce Retrofit kit provides access to utility rebate programs nationwide



FAST INSTALLATION – Installs in minutes, as quickly and easily as a traditional compact fluorescent ballast and lamp



VOLTAGE OPTIONS – 120VAC / 277VAC



SURGE PROTECTED – Robust integrated surge protection provides commercial grade reliability



UL 1598C – Certified for field installation inside existing fixtures as an LED retrofit

Control Options

0-10V Dimming, LEDSENSE®

PATENTS

7,777,430; 8,400,081; 8,823,290; 9,049,768; Additional Pat. Pend.

REPLACES

1x18w



Retrofit:	SR95 - 118
Lumen Output*:	868 lm
Input Watts*:	7.8w
Efficacy*:	>112 lm/w

1x26w
2x13w



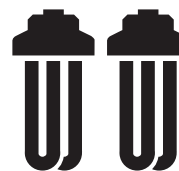
Retrofit:	SR95 - 126
Lumen Output*:	1044 lm
Input Watts*:	9.5w
Efficacy*:	>110 lm/w

1x32w



Retrofit:	SR95 - 132
Lumen Output*:	1502 lm
Input Watts*:	14.5w
Efficacy*:	>104 lm/w

2x18w



Retrofit:	SR95 - 218
Lumen Output*:	1768 lm
Input Watts*:	14.6w
Efficacy*:	>121 lm/w

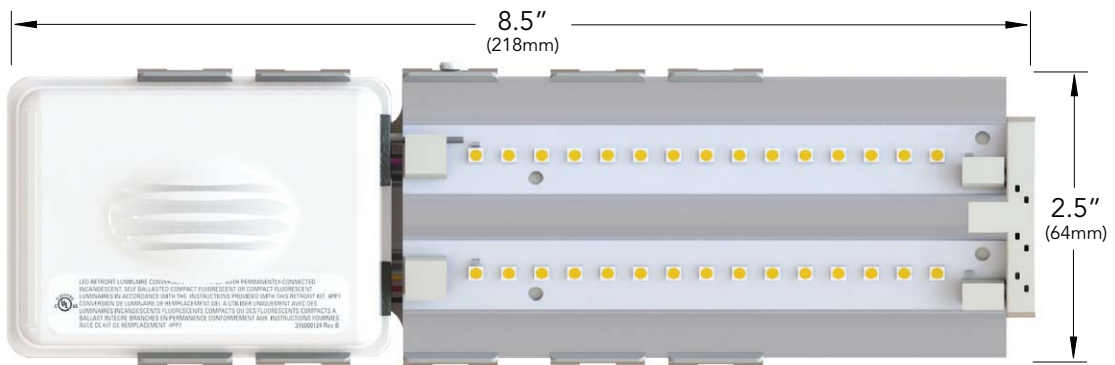
1x42w



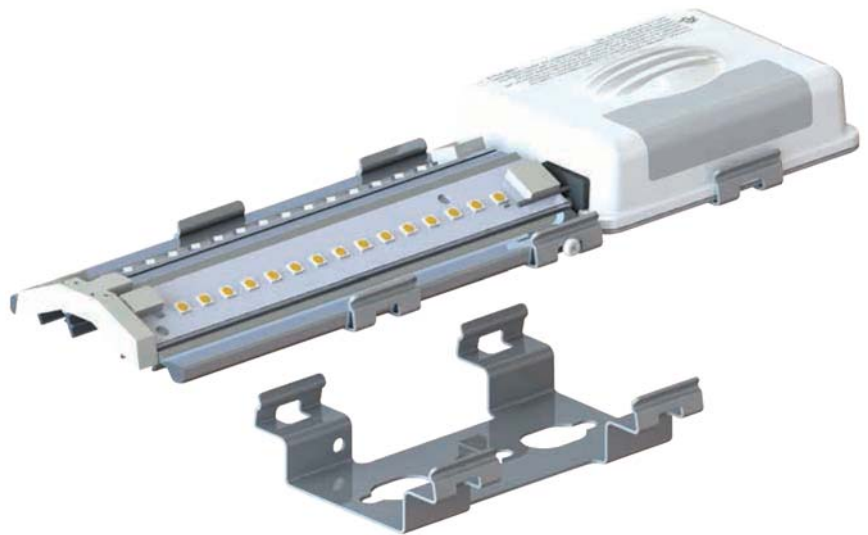
Retrofit:	SR95 - 142
Lumen Output*:	1991 lm
Input Watts*:	17.0w
Efficacy*:	>117 lm/w

* Measured at 3000K, 120 VAC, delivered lumens

S_R308 – LED Rectangular Retrofit - 3" x 8"



**NEW
PRODUCT**

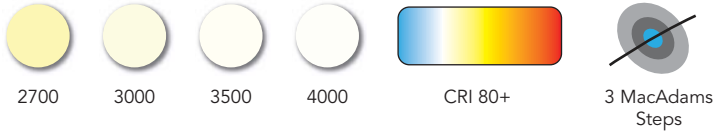


Replaces CFL + Ballast Inside Existing Fixture

FEATURES

The SR308 LED Engine is a fully integrated, self-contained, plug-and-play LED solution for lighting fixture manufacturers and retrofit installations. Designed for use in surface mounted wall sconces by others, SR308 delivers up to 124 lm/W for beautiful, maintenance free light that's backed by a 7-year warranty.

Example applications: Wall sconces, vanity fixtures



7 YEAR WARRANTY – Engineered to operate reliably when installed in both open and closed type fixtures



ENERGY STAR® – Certified LED Wall Sconce Retrofit kit provides access to utility rebate programs nationwide



FAST INSTALLATION – Installs in minutes, as quickly and easily as a traditional compact fluorescent ballast and lamp



VOLTAGE OPTIONS – 120VAC / 277VAC



BATTERY BACKUP – Optional emergency battery provides emergency lighting for >90 minutes and is certified to UL924 for field installation



SURGE PROTECTED – Robust integrated surge protection provides commercial grade reliability



UL 1598C – Certified for field installation inside existing fixtures as an LED retrofit

Control Options

0-10V Dimming, LEDSENSE®

PATENTS

7,777,430; 8,400,081; 8,823,290; 9,049,768; Additional Pat. Pend.

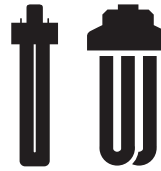
REPLACES

1x18w



Retrofit:	SR308 - 118
Lumen Output*:	868 lm
Input Watts*:	7.8w
Efficacy*:	>112 lm/w

1x26w
2x13w



Retrofit:	SR308 - 126
Lumen Output*:	1177 lm
Input Watts*:	9.8w
Efficacy*:	>119 lm/w

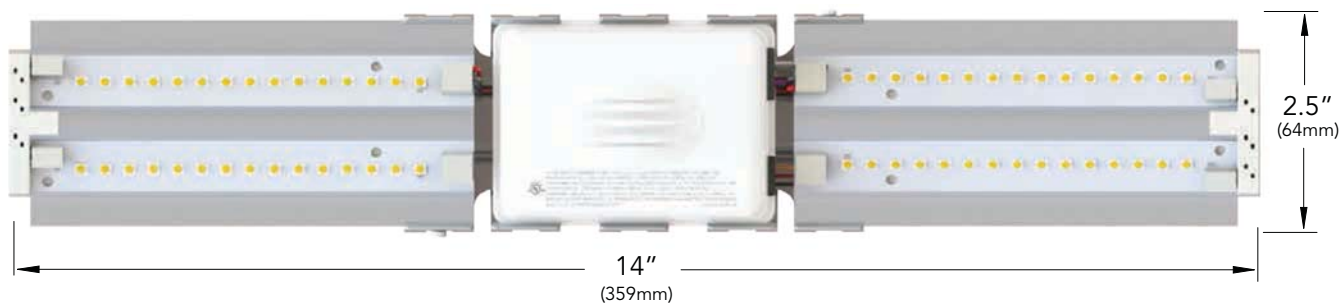
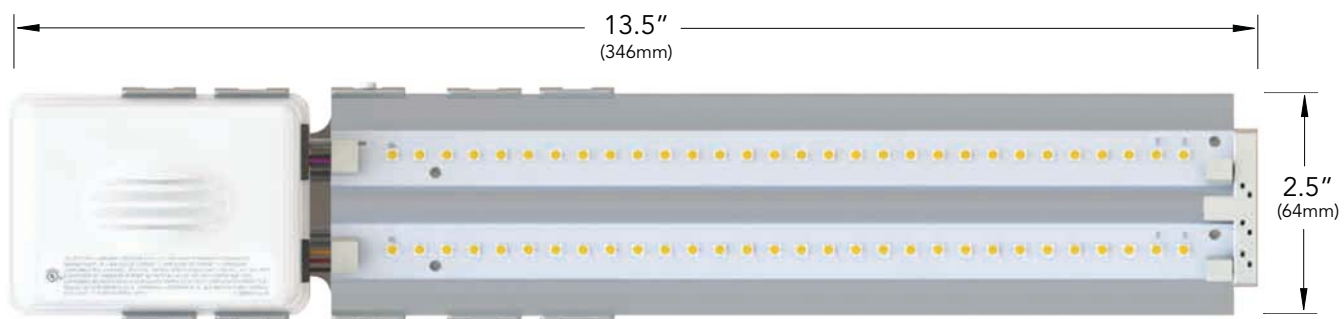
1x32w



Retrofit:	SR308 - 132
Lumen Output*:	1465 lm
Input Watts*:	12.7w
Efficacy*:	>115 lm/w

* Measured at 3000K, 120 VAC, delivered lumens

S_R312 – LED Rectangular Retrofit - 3" x 12"



**NEW
PRODUCT**

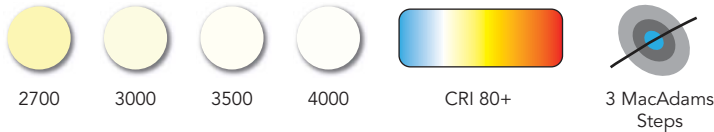


Replaces CFL + Ballast Inside Existing Fixture

FEATURES

The SR312 LED Engine is a fully integrated, self-contained, plug-and-play LED solution for lighting fixture manufacturers and retrofit installations. Designed for use in surface mounted wall sconces by others, SR312M delivers up to 152 lm/W for beautiful, maintenance free light that's backed by a 7-year warranty.

Example applications: Wall sconces



7 YEAR WARRANTY – Engineered to operate reliably when installed in both open and closed type fixtures



ENERGY STAR® – Certified LED Wall Sconce Retrofit kit provides access to utility rebate programs nationwide



FAST INSTALLATION – Installs in minutes, as quickly and easily as a traditional compact fluorescent ballast and lamp



VOLTAGE OPTIONS – 120VAC / 277VAC



SURGE PROTECTED – Robust integrated surge protection provides commercial grade reliability



UL 1598C – Certified for field installation inside existing fixtures as an LED retrofit

Control Options

0-10V Dimming, LEDSENSE®

PATENTS

7,777,430; 8,400,081; 8,823,290; 9,049,768; Additional Pat. Pend.

REPLACES

2x18w



Retrofit:	SR312 - 118
Lumen Output*:	1415 lm
Input Watts*:	10.6w
Efficacy*:	>133 lm/w

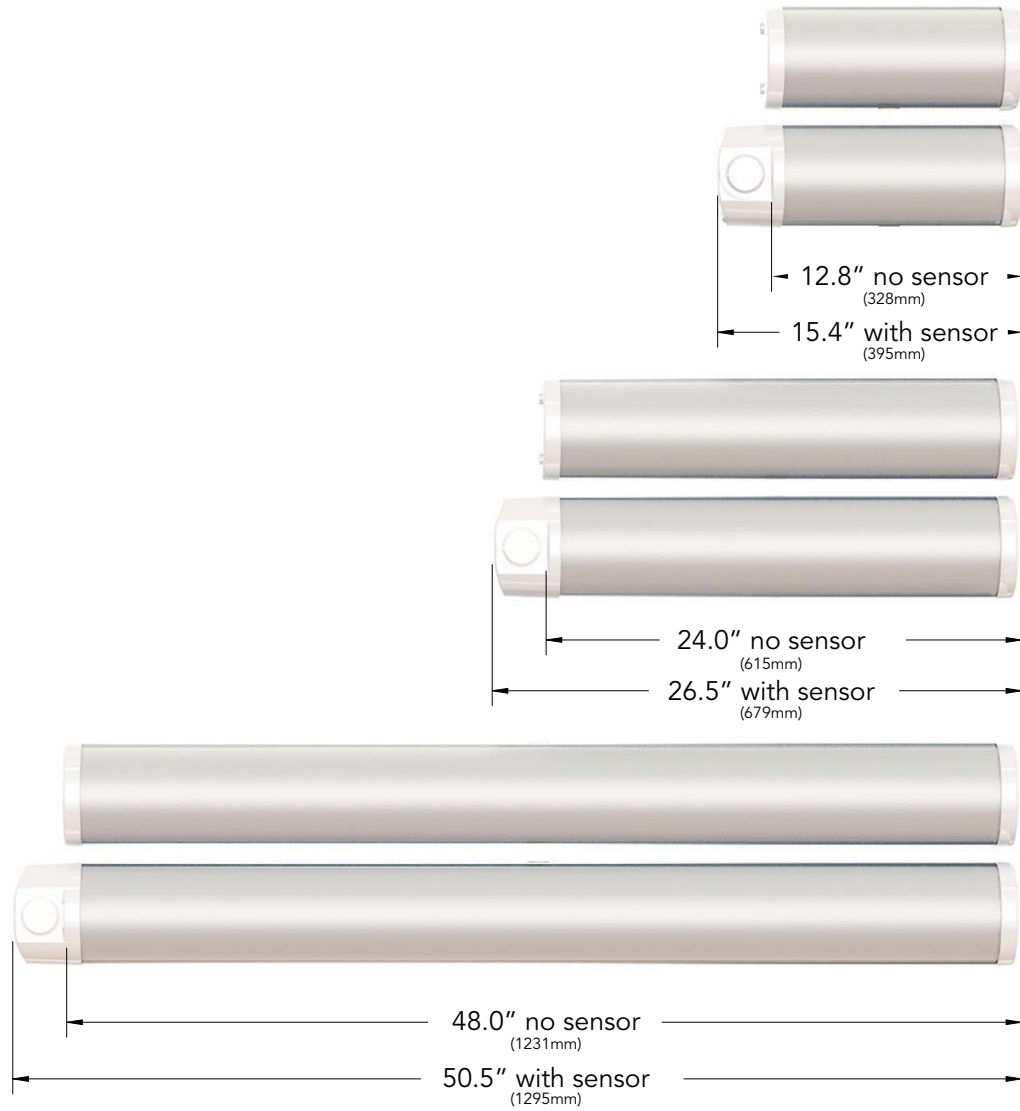
1x42w



Retrofit:	SR312 - 142
Lumen Output*:	1833 lm
Input Watts*:	13.9w
Efficacy*:	>131 lm/w

* Measured at 3000K, 120 VAC, delivered lumens

SL SERIES – LED Stairwell Retrofit



FLEXIBLE MOUNTING OPTIONS



CEILING OR WALL INSTALLATION – Installs on ceiling or wall with J-box or conduit applications

SL SERIES – LED Stairwell Retrofit

FEATURES

The SL LED retrofit series is a significant upgrade for tired and flickering stairwell and garage lights. Energy use can be reduced by as much as 80%, as stairwells and garages are illuminated 24 hours a day, 7 days a week, and not frequently occupied. Available in one, two and four foot lengths, all have options for integrated occupancy sensor and battery backup. The SL series delivers color quality above 80 CRI, with a lifetime beyond 60,000 hours, you see beautiful, maintenance free light for years to come.

Example applications: Stairwells, Parking Garages, Back of House



4000



CRI 80+



3 MacAdams Steps



10 YEAR WARRANTY – Engineered to operate reliably even in 24/7 commercial operations



DLC LISTED – Certified Stairwell Fixture with occupancy - SL12



DLC PREMIUM – Certified Stairwell Fixture with occupancy - SL24, SL48



ENERGY STAR® – Certified LED Luminaire provides access to utility rebate programs nationwide



OCCUPANCY – Optional occupancy sensor



FAST INSTALLATION – Installs in minutes, as quickly and easily as a traditional compact fluorescent ballast and lamp



BATTERY BACKUP – Optional emergency battery provides emergency lighting for >90 minutes and is certified to UL924 for field installation



SURGE PROTECTED – Robust integrated surge protection provides commercial grade reliability



UL 1598C – Certified for field installation inside existing fixtures as an LED retrofit

REPLACES

1x26w, 1x32w
2x18w, 2x13w



Retrofit:	SL12 - 12"
Lumen Output*:	1225 lm
Input Watts*:	13.5w
Efficacy*:	>90 lm/w

1x30w 3' T8

1x18w 2' T8

1x32w, 2x18w 4' T8
1x54w

Retrofit:	SL24 - 24"
Lumen Output*:	2444 lm 3773 lm
Input Watts*:	23.3w 34.0w
Efficacy*:	>110 lm/w

1x32w 4' T8

2x32w 4' T8
1x54w

Retrofit:	SL48 - 48"
Lumen Output*:	2829 lm 3935 lm
Input Watts*:	23.4w 34.0w
Efficacy*:	>120 lm/w

PATENTS

7,777,430; 8,400,081; 8,823,290; 9,049,768; Additional Pat. Pend.

* Measured at 4000K, 120 VAC, delivered lumens






Step Light Retrofit Product: Terralux L04




COMPACT LINEAR SERIES – 4", 6" and 8"



120 VAC Phase Dimming

	 4"	 6"	 8"
2700K	478 lm	699 lm	885 lm
3000K	499 lm	729 lm	940 lm
3500K	539 lm	789 lm	986 lm
4000K	567 lm	796 lm	1020 lm
5000K	568 lm	825 lm	1069 lm

100 – 277 VAC No Dimming, 0-10V Dimming

	 4"	 6"	 8"
2700K	402 lm	560 lm	756 lm
3000K	407 lm	575 lm	808 lm
3500K	450 lm	607 lm	879 lm
4000K	478 lm	623 lm	886 lm
5000K	478 lm	656 lm	886 lm

MOUNTING OPTIONS



STRAIGHT - MOUNT

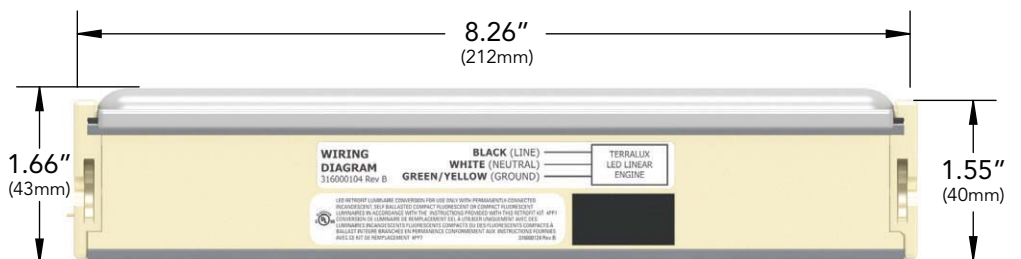
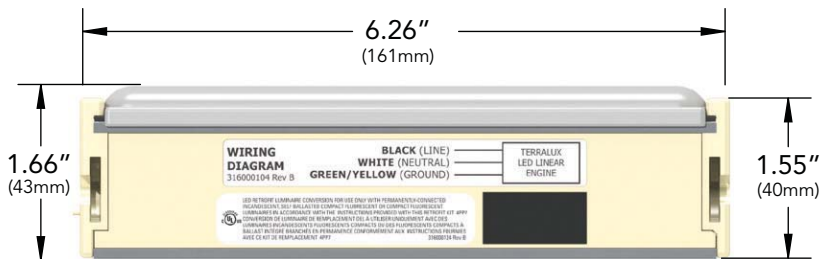
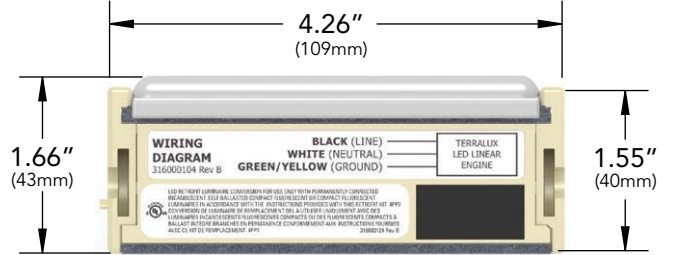
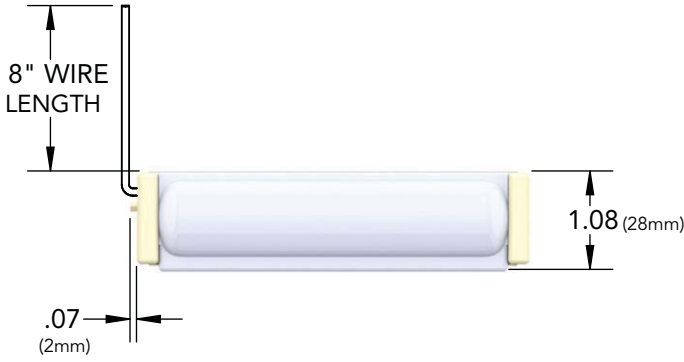


OFFSET - MOUNT



SIDE - MOUNT
STRAIGHT OR OFFSET

COMPACT LINEAR SERIES – LED Linear Retrofit

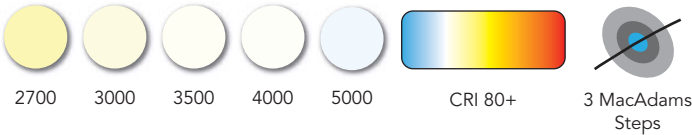


Replaces CFL + Ballast in Existing Fixtures

FEATURES

A Linear LED retrofit kit lets you quickly upgrade your favorite steplights, sconces, wallpacks, and more. Using under half the power of CFL for the same light, delivering color quality above 80 CRI, with a lifetime beyond 60,000 hours, you see beautiful, maintenance free light for years to come.

Example applications: Steplights, wall sconces, wall packs



5 YEAR WARRANTY – Engineered to operate reliably when installed in both open and closed type fixtures



ENERGY STAR® – Certified LED Wall Sconce Retrofit kit provides access to utility rebate programs nationwide**



DLC LISTED – L08 - 5000K, no dimming (retrofit kit for wall pack fixtures)



IP65 RATED – Weather and dust sealed for use in sealed or leaky fixtures, indoors or out



FAST INSTALLATION – Installs in minutes, as quickly and easily as a traditional compact fluorescent ballast and lamp



SURGE PROTECTED – Robust integrated surge protection provides commercial grade reliability



UL 1598C – Certified for field installation inside existing fixtures as an LED retrofit

Control Options

Phase Dimming, 0-10V Dimming, LEDSENSE®

PATENTS

7,777,430; 8,400,081; D687,581 Additional Pat. Pend.

REPLACES

60w



13w



13w



Retrofit:	L04
Input Voltage:	100-277 VAC
Lumen Output*:	407 lm
Input Watts*:	5.0w
Efficacy*:	>81 lm/w
Dimming:	0-10V Optional

75w



18w



26w



Retrofit:	L06
Input Voltage:	100-277 VAC
Lumen Output*:	575 lm
Input Watts*:	6.9w
Efficacy*:	>83 lm/w
Dimming:	0-10V Optional

32w



42w



Retrofit:	L08
Input Voltage:	100-277 VAC
Lumen Output*:	808 lm
Input Watts*:	10.2w
Efficacy*:	>79 lm/w
Dimming:	0-10V Optional

* Measured at 3000K, 120 VAC, delivered lumens, universal - no dimming
 ** Excluding model L04 in 2700K



Retrofit Product: Terralux SR12

RETROFIT ORDERING GUIDE

DRVL DOWNLIGHT RETROFIT KIT FOR VERTICAL CFL FIXTURE

CCT	INPUT VOLTAGE	CFL REPLACEMENT	INPUT WATTS	LUMEN OUTPUT	PART NUMBER
2700K	120-277VAC	1x13w	8.1w	625 lm	TLK-DRVLA-A11327DO
	120-277VAC	1x18w	13.3w	800 lm	TLK-DRVLA-A11827DO
3000K	120-277VAC	1x13w	8.1w	625 lm	TLK-DRVLA-A11330DO
	120-277VAC	1x18w	10.5w	800 lm	TLK-DRVLA-A11830DO
3500K	120-277VAC	1x13w	8.1w	625 lm	TLK-DRVLA-A11335DO
	120-277VAC	1x18w	10.5w	800 lm	TLK-DRVLA-A11835DO
4000K	120-277VAC	1x13w	8.1w	625 lm	TLK-DRVLA-A11340DO
	120-277VAC	1x18w	10.5w	800 lm	TLK-DRVLA-A11840DO

DRV DOWNLIGHT RETROFIT KIT FOR VERTICAL CFL FIXTURE

CCT	INPUT VOLTAGE	CFL REPLACEMENT	INPUT WATTS	LUMEN OUTPUT	PART NUMBER
2700K	120-277VAC	1x18w	12.5w	984 lm	TLK-DRVA-A11827DO
	120-277VAC	1x26w	13.3w	1035 lm	TLK-DRVA-A12627DO
	120-277VAC	1x32w	17.5w	1259 lm	TLK-DRVA-A13227DO
	120-277VAC	1x42w	19.9w	1361 lm	TLK-DRVA-A14227DO
3000K	120-277VAC	1x18w	12.5w	984 lm	TLK-DRVA-A11830DO
	120-277VAC	1x26w	13.3w	1035 lm	TLK-DRVA-A12630DO
	120-277VAC	1x32w	17.5w	1259 lm	TLK-DRVA-A13230DO
	120-277VAC	1x42w	19.9w	1361 lm	TLK-DRVA-A14230DO
3500K	120-277VAC	1x18w	12.5w	984 lm	TLK-DRVA-A11835DO
	120-277VAC	1x26w	13.3w	1035 lm	TLK-DRVA-A12635DO
	120-277VAC	1x32w	17.5w	1259 lm	TLK-DRVA-A13235DO
	120-277VAC	1x42w	19.9w	1361 lm	TLK-DRVA-A14235DO
4000K	120-277VAC	1x18w	12.5w	984 lm	TLK-DRVA-A11840DO
	120-277VAC	1x26w	13.3w	1035 lm	TLK-DRVA-A12640DO
	120-277VAC	1x32w	17.5w	1259 lm	TLK-DRVA-A13240DO
	120-277VAC	1x42w	19.9w	1361 lm	TLK-DRVA-A14240DO

Battery Backup option available. Add "BB" to the end of the part number.

DRVH DOWNLIGHT RETROFIT KIT FOR VERTICAL CFL FIXTURE

CCT	INPUT VOLTAGE	CFL REPLACEMENT	INPUT WATTS	LUMEN OUTPUT	PART NUMBER
3000K	120-277VAC	1x70w	23.0w	2000 lm	TLK-DRVHA-B2030DO
	120-277VAC	1x100w	23.0w	2000 lm	TLK-DRVHA-B2530DO
	120-277VAC	1x175w	23.0w	2000 lm	TLK-DRVHA-B3030DO
3500K	120-277VAC	1x70w	30.0w	2500 lm	TLK-DRVHA-B2035DO
	120-277VAC	1x100w	30.0w	2500 lm	TLK-DRVHA-B2535DO
	120-277VAC	1x175w	30.0w	2500 lm	TLK-DRVHA-B3035DO
4000K	120-277VAC	1x70w	37.0w	3000 lm	TLK-DRVHA-B2040DO
	120-277VAC	1x100w	37.0w	3000 lm	TLK-DRVHA-B2540DO
	120-277VAC	1x175w	37.0w	3000 lm	TLK-DRVHA-B3040DO

Battery Backup option available. Add "-BB" to the end of the part number.

No Armored Conduit option available. Add "-NAC" to the end of the part number.

RETROFIT ORDERING GUIDE

DR6 DOWNLIGHT RETROFIT KIT FOR 6" HORIZONTAL CFL FIXTURE

CCT	INPUT VOLTAGE	CFL REPLACEMENT	INPUT WATTS	LUMEN OUTPUT	PART NUMBER
2700K	120-277VAC	1x18w	12.3w	1114 lm	TLK-DR6A-A11827DO
	120-277VAC	2x13w	13.0w	1153 lm	TLK-DR6A-A21327DO
	120-277VAC	2x18w	17.1w	1483 lm	TLK-DR6A-A21827DO
	120-277VAC	1x42w	19.7w	1665 lm	TLK-DR6A-A14227DO
	120-277VAC	2x26w	26.9w	2254 lm	TLK-DR6A-A22627DO
3000K	120-277VAC	1x18w	12.3w	1114 lm	TLK-DR6A-A11830DO
	120-277VAC	2x13w	13.0w	1153 lm	TLK-DR6A-A21330DO
	120-277VAC	2x18w	17.1w	1483 lm	TLK-DR6A-A21830DO
	120-277VAC	1x42w	19.7w	1665 lm	TLK-DR6A-A14230DO
	120-277VAC	2x26w	26.9w	2254 lm	TLK-DR6A-A22630DO
3500K	120-277VAC	1x18w	12.3w	1114 lm	TLK-DR6A-A11835DO
	120-277VAC	2x13w	13.0w	1153 lm	TLK-DR6A-A21335DO
	120-277VAC	2x18w	17.1w	1483 lm	TLK-DR6A-A21835DO
	120-277VAC	1x42w	19.7w	1665 lm	TLK-DR6A-A14235DO
	120-277VAC	2x26w	26.9w	2254 lm	TLK-DR6A-A22635DO
4000K	120-277VAC	1x18w	12.3w	1114 lm	TLK-DR6A-A11840DO
	120-277VAC	2x13w	13.0w	1153 lm	TLK-DR6A-A21340DO
	120-277VAC	2x18w	17.1w	1483 lm	TLK-DR6A-A21840DO
	120-277VAC	1x42w	19.7w	1665 lm	TLK-DR6A-A14240DO
	120-277VAC	2x26w	26.9w	2254 lm	TLK-DR6A-A22640DO

Battery Backup option available. Add "BB" to the end of the part number.

DR8 DOWNLIGHT RETROFIT KIT FOR 8" HORIZONTAL CFL FIXTURE

CCT	INPUT VOLTAGE	CFL REPLACEMENT	INPUT WATTS	LUMEN OUTPUT	PART NUMBER
3000K	120-277VAC	2x26w	25.5w	2144 lm	TLK-DR8A-A22630DO
	120-277VAC	2x32w	27.2w	2214 lm	TLK-DR8A-A23230DO
	120-277VAC	2x42w	33.8w	2665 lm	TLK-DR8A-A24230DO
3500K	120-277VAC	2x26w	25.5w	2144 lm	TLK-DR8A-A22635DO
	120-277VAC	2x32w	27.2w	2214 lm	TLK-DR8A-A23235DO
	120-277VAC	2x42w	33.8w	2665 lm	TLK-DR8A-A24235DO
4000K	120-277VAC	2x26w	25.5w	2144 lm	TLK-DR8A-A22640DO
	120-277VAC	2x32w	27.2w	2214 lm	TLK-DR8A-A23240DO
	120-277VAC	2x42w	33.8w	2665 lm	TLK-DR8A-A24240DO

Battery Backup option available. Add "BB" to the end of the part number.

RETROFIT ORDERING GUIDE

DR10 DOWNLIGHT RETROFIT KIT FOR 10" HORIZONTAL CFL FIXTURE

CCT	INPUT VOLTAGE	CFL REPLACEMENT	INPUT WATTS	LUMEN OUTPUT	PART NUMBER
3000K	120-277VAC	2x26w	25.5w	2144 lm	TLK-DR10A-A22630DO
	120-277VAC	2x32w	27.2w	2240 lm	TLK-DR10A-A23230DO
	120-277VAC	2x42w	33.8w	2665 lm	TLK-DR10A-A24230DO
3500K	120-277VAC	2x26w	25.5w	2144 lm	TLK-DR10A-A22635DO
	120-277VAC	2x32w	27.2w	2240 lm	TLK-DR10A-A23235DO
	120-277VAC	2x42w	33.8w	2665 lm	TLK-DR10A-A24235DO
4000K	120-277VAC	2x26w	25.5w	2144 lm	TLK-DR10A-A22640DO
	120-277VAC	2x32w	27.2w	2240 lm	TLK-DR10A-A23240DO
	120-277VAC	2x42w	33.8w	2665 lm	TLK-DR10A-A24240DO

Battery Backup option available. Add "BB" to the end of the part number.

DR88 DOWNLIGHT RETROFIT KIT FOR 8" SQUARE FIXTURES

CCT	INPUT VOLTAGE	CFL REPLACEMENT	INPUT WATTS	LUMEN OUTPUT	PART NUMBER
3000K	120-277VAC	2x26w	27.7w	2281 lm	TLK-DR88A-A22630DO
	120-277VAC	2x32w	29.8w	2467 lm	TLK-DR88A-A23230DO
	120-277VAC	2x42w	36.1w	2916 lm	TLK-DR88A-A24230DO
3500K	120-277VAC	2x26w	27.7w	2281 lm	TLK-DR88A-A22635DO
	120-277VAC	2x32w	29.8w	2467 lm	TLK-DR88A-A23235DO
	120-277VAC	2x42w	36.1w	2916 lm	TLK-DR88A-A24235DO
4000K	120-277VAC	2x26w	27.7w	2281 lm	TLK-DR88A-A22640DO
	120-277VAC	2x32w	29.8w	2467 lm	TLK-DR88A-A23240DO
	120-277VAC	2x42w	36.1w	2916 lm	TLK-DR88A-A24240DO

Battery Backup option available. Add "BB" to the end of the part number.

SR8 CIRCULAR LED ENGINE – 15 WATT

CCT	INPUT VOLTAGE	DIMMING*	INPUT WATTS	LUMEN OUTPUT	PART NUMBER
2700K	120VAC or 277 VAC	No Dimming	15w	1325 lm	TLM-D08A-A1227R
3000K	120VAC or 277 VAC	No Dimming	15w	1365 lm	TLM-D08A-A1230R
3500K	120VAC or 277 VAC	No Dimming	15w	1455 lm	TLM-D08A-A1235R
4000K	120VAC or 277 VAC	No Dimming	15w	1470 lm	TLM-D08A-A1240R
5000K	120VAC or 277 VAC	No Dimming	15w	1470 lm	TLM-D08A-A1250R
2700K	120VAC or 277 VAC	Phase*	15w	1325 lm	TLM-D08A-B1227R
3000K	120VAC or 277 VAC	Phase*	15w	1365 lm	TLM-D08A-B1230R
3500K	120VAC or 277 VAC	Phase*	15w	1455 lm	TLM-D08A-B1235R
4000K	120VAC or 277 VAC	Phase*	15w	1470 lm	TLM-D08A-B1240R
5000K	120VAC or 277 VAC	Phase*	15w	1470 lm	TLM-D08A-B1250R

SR8 CIRCULAR LED ENGINE – 10 WATT

CCT	INPUT VOLTAGE	DIMMING*	INPUT WATTS	LUMEN OUTPUT	PART NUMBER
2700K	120VAC or 277 VAC	No Dimming	10w	1054 lm	TLM-D08A-A1227R-10w
3000K	120VAC or 277 VAC	No Dimming	10w	1087 lm	TLM-D08A-A1230R-10w
3500K	120VAC or 277 VAC	No Dimming	10w	1117 lm	TLM-D08A-A1235R-10w
4000K	120VAC or 277 VAC	No Dimming	10w	1051 lm	TLM-D08A-A1240R-10w
5000K	120VAC or 277 VAC	No Dimming	10w	1051 lm	TLM-D08A-A1250R-10w

RETROFIT ORDERING GUIDE

SR8 CIRCULAR LED RETROFIT DIFFUSER

DESCRIPTION	PART NUMBER
High Diffusion Snap On Lens	TLMA-228000137

SR12 CIRCULAR RETROFIT

CCT	INPUT VOLTAGE	DIMMING	INPUT WATTS	LUMEN OUTPUT	PART NUMBER
2700K	120-277VAC	0-10V	21.7w	2565 lm	TLM-D12A-A2527R
	120-277VAC	0-10V	27.3w	3090 lm	TLM-D12A-A3027R
	120-277VAC	0-10V	31.9w	3480 lm	TLM-D12A-A3527R
	120-277VAC	0-10V	32.7w	3957 lm	TLM-D12A-A4027R
3000K	120-277VAC	0-10V	21.6w	2510 lm	TLM-D12A-A2530R
	120-277VAC	0-10V	27.2w	3024 lm	TLM-D12A-A3030R
	120-277VAC	0-10V	31.7w	3406 lm	TLM-D12A-A3530R
	120-277VAC	0-10V	32.5w	3884 lm	TLM-D12A-A4030R
3500K	120-277VAC	0-10V	21.6w	2725 lm	TLM-D12A-A2535R
	120-277VAC	0-10V	27.2w	3283 lm	TLM-D12A-A3035R
	120-277VAC	0-10V	31.7w	3697 lm	TLM-D12A-A3535R
	120-277VAC	0-10V	32.6w	4151 lm	TLM-D12A-A4035R
4000K	120-277VAC	0-10V	21.8w	2822 lm	TLM-D12A-A2540R
	120-277VAC	0-10V	27.4w	3399 lm	TLM-D12A-A3040R
	120-277VAC	0-10V	32.0w	3828 lm	TLM-D12A-A3540R
	120-277VAC	0-10V	32.6w	4051 lm	TLM-D12A-A4040R
5000K	120-277VAC	0-10V	21.8w	2929 lm	TLM-D12A-A2550R
	120-277VAC	0-10V	27.3w	3529 lm	TLM-D12A-A3050R
	120-277VAC	0-10V	31.9w	3974 lm	TLM-D12A-A3550R
	120-277VAC	0-10V	32.8w	4440 lm	TLM-D12A-A4050R
2700K	120-277VAC	Phase Dimming*	21.7w	2565 lm	TLM-D12A-B2527R
	120-277VAC	Phase Dimming*	27.3w	3090 lm	TLM-D12A-B3027R
	120-277VAC	Phase Dimming*	31.9w	3480 lm	TLM-D12A-B3527R
	120-277VAC	Phase Dimming*	32.7w	3957 lm	TLM-D12A-B4027R
3000K	120-277VAC	Phase Dimming*	21.6w	2510 lm	TLM-D12A-B2530R
	120-277VAC	Phase Dimming*	27.2w	3024 lm	TLM-D12A-B3030R
	120-277VAC	Phase Dimming*	31.7w	3406 lm	TLM-D12A-B3530R
	120-277VAC	Phase Dimming*	32.5w	3884 lm	TLM-D12A-B4030R
3500K	120-277VAC	Phase Dimming*	21.6w	2725 lm	TLM-D12A-B2535R
	120-277VAC	Phase Dimming*	27.2w	3283 lm	TLM-D12A-B3035R
	120-277VAC	Phase Dimming*	31.7w	3697 lm	TLM-D12A-B3535R
	120-277VAC	Phase Dimming*	32.6w	4151 lm	TLM-D12A-B4035R
4000K	120-277VAC	Phase Dimming*	21.8w	2822 lm	TLM-D12A-B2540R
	120-277VAC	Phase Dimming*	27.4w	3399 lm	TLM-D12A-B3040R
	120-277VAC	Phase Dimming*	32.0w	3828 lm	TLM-D12A-B3540R
	120-277VAC	Phase Dimming*	32.6w	4051 lm	TLM-D12A-B4040R
5000K	120-277VAC	Phase Dimming*	21.8w	2929 lm	TLM-D12A-B2550R
	120-277VAC	Phase Dimming*	27.3w	3529 lm	TLM-D12A-B3050R
	120-277VAC	Phase Dimming*	31.9w	3974 lm	TLM-D12A-B3550R
	120-277VAC	Phase Dimming*	32.8w	4440 lm	TLM-D12A-B4050R

RETROFIT ORDERING GUIDE

SR95 WALL SCONCE RECTANGULAR LED RETROFIT – 0–10V DIMMABLE

CCT	INPUT VOLTAGE	CFL REPLACEMENT	INPUT WATTS	LUMEN OUTPUT	PART NUMBER
2700K	120-277VAC	1x18w	7.8w	869 lm	TLM-SR95A-A11827R
	120-277VAC	1x26w	9.5w	1044 lm	TLM-SR95A-A12627R
	120-277VAC	1x32w	14.5w	1502 lm	TLM-SR95A-A13227R
	120-277VAC	2x18w	14.6w	1735 lm	TLM-SR95A-A21827R
	120-277VAC	1x42w	17.0w	1991 lm	TLM-SR95A-A14227R
3000K	120-277VAC	1x18w	7.8w	869 lm	TLM-SR95A-A11830R
	120-277VAC	1x26w	9.5w	1044 lm	TLM-SR95A-A12630R
	120-277VAC	1x32w	14.5w	1502 lm	TLM-SR95A-A13230R
	120-277VAC	2x18w	14.6w	1735 lm	TLM-SR95A-A21830R
	120-277VAC	1x42w	17.0w	1991 lm	TLM-SR95A-A14230R
3500K	120-277VAC	1x18w	7.8w	869 lm	TLM-SR95A-A11835R
	120-277VAC	1x26w	9.5w	1044 lm	TLM-SR95A-A12635R
	120-277VAC	1x32w	14.5w	1502 lm	TLM-SR95A-A13235R
	120-277VAC	2x18w	14.6w	1735 lm	TLM-SR95A-A21835R
	120-277VAC	1x42w	17.0w	1991 lm	TLM-SR95A-A14235R
4000K	120-277VAC	1x18w	7.8w	869 lm	TLM-SR95A-A11840R
	120-277VAC	1x26w	9.5w	1044 lm	TLM-SR95A-A12640R
	120-277VAC	1x32w	14.5w	1502 lm	TLM-SR95A-A13240R
	120-277VAC	2x18w	14.6w	1735 lm	TLM-SR95A-A21840R
	120-277VAC	1x42w	17.0w	1991 lm	TLM-SR95A-A14240R

SR95 WALL SCONCE LED RETROFIT DIFFUSER

DESCRIPTION	PART NUMBER
High Diffusion Snap On Lens	TLMA-202000065

SR308 WALL SCONCE RECTANGULAR LED RETROFIT – 0–10V DIMMABLE

CCT	INPUT VOLTAGE	CFL REPLACEMENT	INPUT WATTS	LUMEN OUTPUT	PART NUMBER
2700K	120-277VAC	1x18w	7.8w	868 lm	TLM-SR308A-A11827
	120-277VAC	1x26w / 2x13w	9.8w	1139 lm	TLM-SR308A-A12627
	120-277VAC	1x32w	12.7w	1407 lm	TLM-SR308A-A13227
3000K	120-277VAC	1x18w	7.8w	868 lm	TLM-SR308A-A11830
	120-277VAC	1x26w / 2x13w	9.8w	1177 lm	TLM-SR308A-A12630
	120-277VAC	1x32w	12.7w	1465 lm	TLM-SR308A-A13230
3500K	120-277VAC	1x18w	7.8w	868 lm	TLM-SR308A-A11835
	120-277VAC	1x26w / 2x13w	9.8w	1221 lm	TLM-SR308A-A12635
	120-277VAC	1x32w	12.7w	1551 lm	TLM-SR308A-A13235
4000K	120-277VAC	1x18w	7.8w	868 lm	TLM-SR308A-A11840
	120-277VAC	1x26w / 2x13w	9.8w	1229 lm	TLM-SR308A-A12640
	120-277VAC	1x32w	12.7w	1525 lm	TLM-SR308A-A13240

FIXTURE ORDERING GUIDE

SR312M WALL SCONCE RECTANGULAR LED RETROFIT – 0-10V DIMMABLE

CCT	INPUT VOLTAGE	CFL REPLACEMENT	INPUT WATTS	LUMEN OUTPUT	PART NUMBER
2700K	120-277VAC	2x18w	10.6w	1404 lm	TLM-SR312MA-A21827
	120-277VAC	1x42w	13.9w	1815 lm	TLM-SR312MA-A14227
3000K	120-277VAC	2x18w	10.6w	1415 lm	TLM-SR312MA-A21830
	120-277VAC	1x42w	13.9w	1833 lm	TLM-SR312MA-A14230
3500K	120-277VAC	2x18w	10.6w	1463 lm	TLM-SR312MA-A21835
	120-277VAC	1x42w	13.9w	1940 lm	TLM-SR312MA-A14235
4000K	120-277VAC	2x18w	10.6w	1614 lm	TLM-SR312MA-A21840
	120-277VAC	1x42w	13.9w	2120 lm	TLM-SR312MA-A14240

SR312S WALL SCONCE RECTANGULAR LED RETROFIT – 0-10V DIMMABLE

CCT	INPUT VOLTAGE	CFL REPLACEMENT	INPUT WATTS	LUMEN OUTPUT	PART NUMBER
2700K	120-277VAC	2x18w	10.6w	1404 lm	TLM-SR312SA-A21827
	120-277VAC	1x42w	13.9w	1815 lm	TLM-SR312SA-A14227
3000K	120-277VAC	2x18w	10.6w	1415 lm	TLM-SR312SA-A21830
	120-277VAC	1x42w	13.9w	1833 lm	TLM-SR312SA-A14230
3500K	120-277VAC	2x18w	10.6w	1463 lm	TLM-SR312SA-A21835
	120-277VAC	1x42w	13.9w	1940 lm	TLM-SR312SA-A14235
4000K	120-277VAC	2x18w	10.6w	1614 lm	TLM-SR312SA-A21840
	120-277VAC	1x42w	13.9w	2120 lm	TLM-SR312SA-A14240

STAIRWELL FIXTURES

LENGTH	INPUT VOLTAGE	OCCUPANCY SENSOR	BATTERY BACKUP	INPUT WATTS	LUMEN OUTPUT	PART NUMBER
12"	120-277VAC	YES	YES	15w	1500 lm	TLF-SL12A-A1540-OC-BB
	120-277VAC	YES	NO	15w	1500 lm	TLF-SL12A-A1540-OC
	120-277VAC	NO	YES	15w	1500 lm	TLF-SL12A-A1540-BB
	120-277VAC	NO	NO	15w	1500 lm	TLF-SL12A-A1540
24"	120-277VAC	YES	YES	25w	2500 lm	TLF-SL24A-A2540-OC-BB
	120-277VAC	YES	NO	25w	2500 lm	TLF-SL24A-A2540-OC
	120-277VAC	NO	YES	25w	2500 lm	TLF-SL24A-A2540-BB
	120-277VAC	NO	NO	25w	2500 lm	TLF-SL24A-A2540
24"	120-277VAC	YES	YES	40w	4000 lm	TLF-SL24A-A4040-OC-BB
	120-277VAC	YES	NO	40w	4000 lm	TLF-SL24A-A4040-OC
	120-277VAC	NO	YES	40w	4000 lm	TLF-SL24A-A4040-BB
	120-277VAC	NO	NO	40w	4000 lm	TLF-SL24A-A4040
48"	120-277VAC	YES	YES	25w	2500 lm	TLF-SL48A-A2540-OC-BB
	120-277VAC	YES	NO	25w	2500 lm	TLF-SL48A-A2540-OC
	120-277VAC	NO	YES	25w	2500 lm	TLF-SL48A-A2540-BB
	120-277VAC	NO	NO	25w	2500 lm	TLF-SL48A-A2540
48"	120-277VAC	YES	YES	40w	4000 lm	TLF-SL48A-A4040-OC-BB
	120-277VAC	YES	NO	40w	4000 lm	TLF-SL48A-A4040-OC
	120-277VAC	NO	YES	40w	4000 lm	TLF-SL48A-A4040-BB
	120-277VAC	NO	NO	40w	4000 lm	TLF-SL48A-A4040

FIXTURE ORDERING GUIDE

COMPACT LINEAR LED RETROFIT

CCT	INPUT VOLTAGE	SIZE	DIMMING*	PART NUMBER
2700K	120VAC	4"	Phase	TLM-L04B-A042712R
	120VAC	6"	Phase	TLM-L06B-A062712R
	120VAC	8"	Phase	TLM-L08B-A082712R
	100-277 VAC	4"	0-10V	TLM-L04B-B042712R
	100-277 VAC	6"	0-10V	TLM-L06B-B062712R
	100-277 VAC	8"	0-10V	TLM-L08B-B082712R
	100-277 VAC	4"	No Dimming	TLM-L04B-D042712R
	100-277 VAC	6"	No Dimming	TLM-L06B-D062712R
3000K	120VAC	4"	Phase	TLM-L04B-A043012R
	120VAC	6"	Phase	TLM-L06B-A063012R
	120VAC	8"	Phase	TLM-L08B-A083012R
	100-277 VAC	4"	0-10V	TLM-L04B-B043012R
	100-277 VAC	6"	0-10V	TLM-L06B-B063012R
	100-277 VAC	8"	0-10V	TLM-L08B-B083012R
	100-277 VAC	4"	No Dimming	TLM-L04B-D043012R
	100-277 VAC	6"	No Dimming	TLM-L06B-D063012R
3500K	120VAC	4"	Phase	TLM-L04B-A043512R
	120VAC	6"	Phase	TLM-L06B-A063512R
	120VAC	8"	Phase	TLM-L08B-A083512R
	100-277 VAC	4"	0-10V	TLM-L04B-B043512R
	100-277 VAC	6"	0-10V	TLM-L06B-B063512R
	100-277 VAC	8"	0-10V	TLM-L08B-B083512R
	100-277 VAC	4"	No Dimming	TLM-L04B-D043512R
	100-277 VAC	6"	No Dimming	TLM-L06B-D063512R
4000K	120VAC	4"	Phase	TLM-L04B-A044012R
	120VAC	6"	Phase	TLM-L06B-A064012R
	120VAC	8"	Phase	TLM-L08B-A084012R
	100-277 VAC	4"	0-10V	TLM-L04B-B044012R
	100-277 VAC	6"	0-10V	TLM-L06B-B064012R
	100-277 VAC	8"	0-10V	TLM-L08B-B084012R
	100-277 VAC	4"	No Dimming	TLM-L04B-D044012R
	100-277 VAC	6"	No Dimming	TLM-L06B-D064012R
5000K	120VAC	4"	Phase	TLM-L04B-A045012R
	120VAC	6"	Phase	TLM-L06B-A065012R
	120VAC	8"	Phase	TLM-L08B-A085012R
	100-277 VAC	4"	0-10V	TLM-L04B-B045012R
	100-277 VAC	6"	0-10V	TLM-L06B-B065012R
	100-277 VAC	8"	0-10V	TLM-L08B-B085012R
	100-277 VAC	4"	No Dimming	TLM-L04B-D045012R
	100-277 VAC	6"	No Dimming	TLM-L06B-D065012R
5000K	100-277 VAC	8"	DLC	TLM-L08B-D085012R

COMPACT LINEAR ENGINE UNDERMOUNT BRACKET

SIZE	DESCRIPTION	PART NUMBER
4"	Undermount Bracket	TLMA-937000008
6"	Undermount Bracket	TLMA-937000009
8"	Undermount Bracket	TLMA-937000010

EXPLOSION OF IMAGINATION. This latest iteration of entrants in the annual Product Innovation Awards reveals a growing maturation of the Industry, as well as exciting new developments and forms that could be a prelude of major changes.

ARCHITECTURAL SSL

AT THE FRONT

LED is also making its name down and efficient gains continue to set new marks, but there is still hesitation to adopt the tech.

SSL BUZZ

LED's recent Detroit workshop produces a treasure trove of useful LED lore for SSL proponents to sit upon.

WHITE PAGES

Wireless tech has evolved to become robust and reliable; its many protocols and options, however, can create confusion.

NUMBER 26 • FEBRUARY 2015



PIA

PRODUCT INNOVATION AWARDS

- 01 **SSL Buzz:** New York's Inaugural Festival of Light brings artistic flair
- 02 **SSL Buzz:** D-LED luminaires now available for the mass market
- 03 **White Pages:** Examining and comparing LED highway opportunities



CATEGORY: DOWNLIGHTS


RAB Lighting
 RDLED 2" LED Downlight

This 2-in. LED downlight has an unobtrusive design perfect for upscale spaces. With an aperture just over 1 in. wide, this 8W fixture replaces 50W MR16 lamps for an 82% reduction in energy consumption; it produces over 600 lm. at 71 lm/W without hot spots or glare.

Judges' Comments: "Could be a good step forward for LEDs in an application in which they've had difficulty." "Small aperture down-lights are where LED technology can shine."



CATEGORY: DOWNLIGHTS


Terralux
 DR8 Downlight Retrofit Kit


This LED retrofit kit is designed for upgrading any 8-in. and above downlight fixture equipped with bi-pin horizontal CFL lamp. It fits inside the existing reflector but, unlike an LED replacement lamp, it is a permanent retrofit kit that will provide the same level of optical performance, safety and reliability as a new LED fixture; it does not rely on the old ballast or the old socket of the fixture.

Judges' Comments: "A new application for LEDs—great to see! Good efficacy for this application (downlights); the industry has been waiting for a higher wattage CFL replacement."



CATEGORY: DOWNLIGHTS


Juno Lighting Group
 Juno 2" Downlight

Juno 2-in. LED downlights and adjustable fixtures produce over 600 brilliant lumens—the same amount as a much larger 6-in., 65W incandescent—yet with just 10W input, they consume only 15% of the energy. Featuring a discreet 20-in. aperture, the downlights offer a sophisticated designer look. Available with downlight or adjustable fixtures, round or square apertures, an extensive selection of trim styles and finishes, and a range of color temperatures.

Judges' Comments: "I needed this light 6 months ago!" "The photometrics are impressive for such a tiny thing. There's no point to bother with the 6-in. residential grade downlight dogs any longer."



CATEGORY: DOWNLIGHTS


Terralux
 DR-V Downlight Retrofit Kit

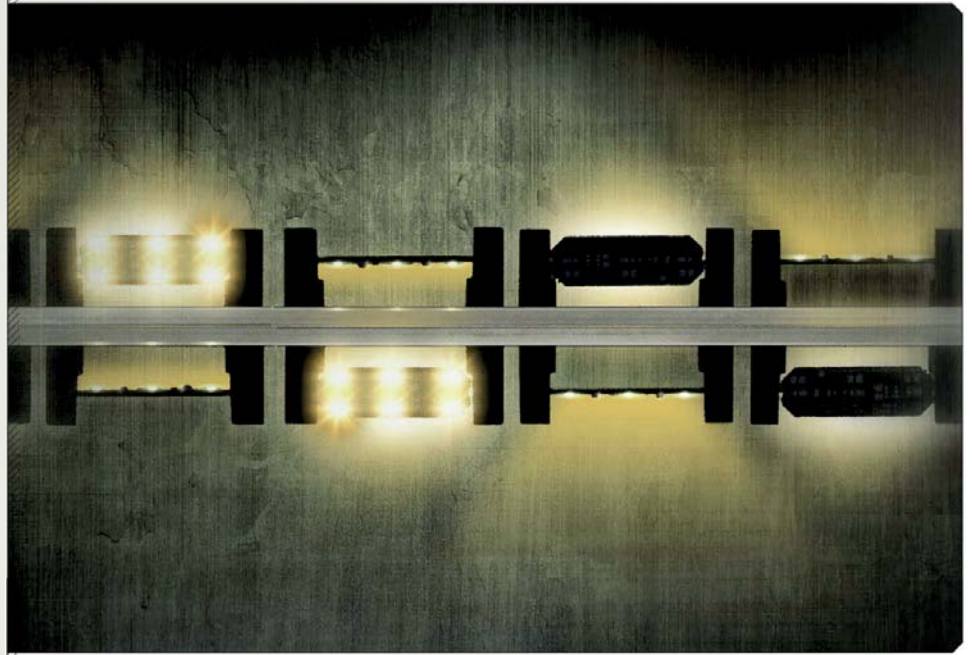
A breakthrough in upgrading compact fluorescents, the DR-V Downlight Retrofit Kit delivers the optical performance, safety and reliability of a new LED fixture as it doesn't rely on the old ballast or fixture socket. Utilizing half the power as the CFLs, the kit is offered in 18W, 26W, 32W and 42W CFL equivalents.

Judges' Comments: "Great application, low efficacy; dimming should be an option." "Great option for vertical CFL lamps."

Move It Around

The **Agabekov** LED light sources in the linear AGA-LED Clip 4 fixture can be mounted in any of four directions by simply clicking the sources into position. This means illumination direction can be changed without changing the orientation of the fixture itself. Color temperatures of 2000K to 4000K are available, with a CRI of 80+.

Linear forms of light are taking hold as the new decorative lighting, replacing accessory sconces and hanging pendants with architecturally integrated features.



4 Winning at Slots

The Stream slot-illumination system from **Prudential Lighting** recedes into a ceiling space in a half-moon design that requires no lens. Instead, flange-mounted LEDs illuminate a flexible reflector to create a seamless stream of indirect light.

5 Mid-Power Alternative

The **Cree** XLamp MH-B LED can operate at higher temperatures than mid-power alternatives, with no reduction in rated lifespans—this can mean a 60% reduction in heat-sink size and cost.

6 Never Too Slim

The slim-styled **Terralux** SR95 is a replacement kit designed specifically for sconce retrofit applications, incorporating a flat LED panel and a driver that can be positioned in multiple positions to meet fixture requirements. The entire unit, including the driver, is less than 1/2-in.-thick. Using less than half the power of a CFL, the kit can enable similar light levels, with a color rendering index of 80-plus.

