

TERAFLEX

PRODUCT INSTALLATION GUIDE

JK RockGuard Basic Front Bumper



Important Notes:

Prior to beginning this or any installation read these instructions to familiarize yourself with the required steps and evaluate if you are experienced and capable to personally perform these modifications.

Refer to the parts list to ensure that all necessary components and hardware has been included. If any parts are missing please contact your local retailer for assistance.

BOM ID	Part Number	Description	Qty
1	5130	Hardware Pack for JK Front Basic Bumper	1
1.1	17	Bolt #8-32 UNC x 1/2" Long Zinc Plated Hex Head with Slot	8
1.2	19	Bolt 1/4"-20 UNC x 1" Long Type F Hex Head Stainless	2
1.3	214	Nut 1/2"-13 UNC Stover Locknut Zinc Plated	8
1.4	37	Washer 1/2" Flat Washer Zinc Plated	8
1.5	458	Washer 1/4" Flat Zinc Plated	8
1.6	47	Bolt 1/4"-28 UNF x 1" Long Hex Head Zinc Plated	4
1.7	55	Washer #8 Flat Zinc Plated	8
1.8	76	Nut 1/4"-28 UNF Nylock	4
2	5131208	8 Inch Sticker TeraFlex Red & Black	1
3	5661	Bolt 1/2"-13 UNC x 2.5" Long Button Head Socket Cap Screw Zinc Plated Black	8
4	600119	Box 57-5/8" x 14.5" x 13.5" for JK Front Bumper	1
5	600120	Box Liner 57-3/8" x 14.25" x 13-1/3" for JK Front Bumper	1
6	600297	Fog Light Mounting Plate for JK Basic Bumper	2
7	653120	JK Front Basic Bumper	1
8	803300	JK Front D-Ring Mount	2
9	999010	Instructions for 4653120 JK Front Basic Bumper	1

Tools needed:

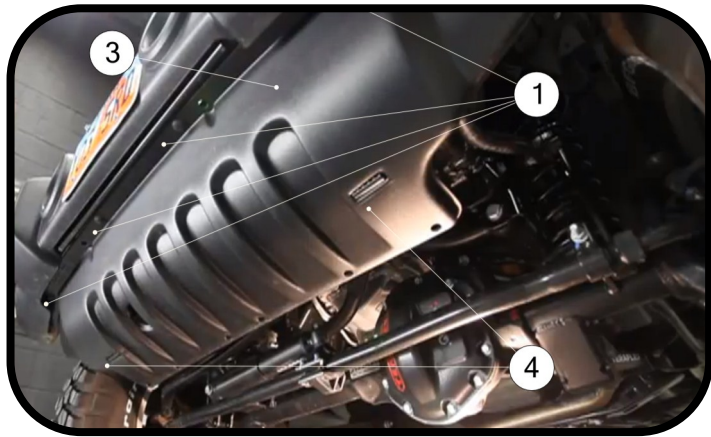
- Phillips screwdriver
- Flat Blade Screwdriver
- 1/4" Drive Socket Wrench
- 3/8" Drive Socket Wrench

Installation:

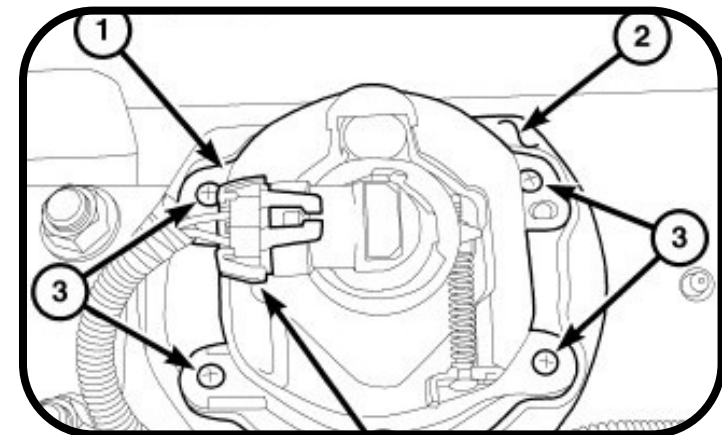
1. Using a phillips screw driver, remove the 2 push pin fasteners (1) on the front cross member decorative cover (2), and slide the cover to gain access the nuts that attach the bumper to the frame. The push pin fasteners can be released by using a phillips screw driver to unscrew the center screw until the push pin can be removed.



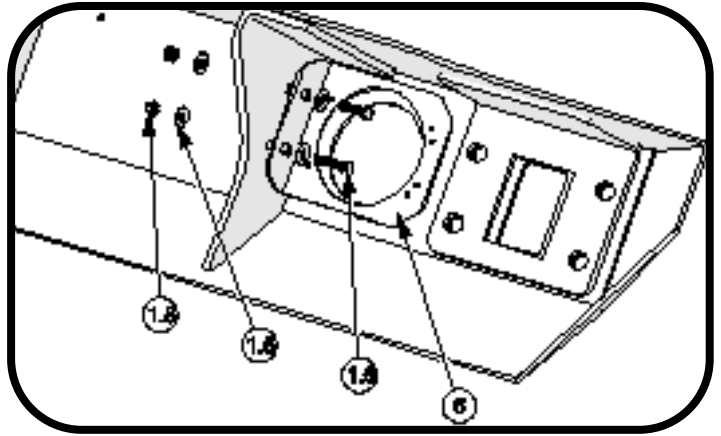
2. Remove the front splash shield (3) by removing the 4 push pin fasteners (1) connecting it to the bumper and the 2 push pin fasteners (4) that connect it to the frame behind the splash shield.



3. Disconnect the fog light connectors (1) by pinching and pulling on the connector.
4. Remove the fog light wiring from behind the front bumper.



5. Using an 18mm socket and wrench with an extension,



remove the 8 nuts that attach the studs from the bumper to the frame. Slide the front cross member decorative cover to gain access to the nuts.

6. With the nuts removed, remove the cross member decorative cover and the front bumper.
7. Using a phillips screw driver remove the 4 screws that attach the fog light to the bumper and remove the fog lights.
- 8.
9. Using a XXmm socket and wrench, remove the 8 bolts that hold the bumper to the frame and remove the factory bumper.



10. Using the phillips screwdriver, remove the 4 screws (3) on each fog light and remove the fog lights from the rear bumper.



TERAFLEX **PRODUCT INFORMATION**

MAINTENANCE INFORMATION:

It is the buyer's responsibility to have all suspension, drivetrain, steering, and other components checked for proper tightness and torque after the first 100 miles and every 3000 miles after that.

NOTICE TO INSTALLER:

The enclosed "Warning to Driver" sticker must be installed in the vehicle in driver's view. This sticker is to act as a constant safety reminder when operating the vehicle. It is your responsibility as the equipment installer to install the provided sticker and to forward the product instructions to the vehicle's owner for review. If a "Warning to Driver" sticker or product installation guide were not included in the kit, FREE replacement stickers and instructions are available by request. It is the installer's duty to ensure a safe and controllable vehicle after the modifications have been performed.

WARNING:

Neither the seller nor the manufacturer will be liable for any loss, damage, or injury directly or indirectly arising from the use of or inability to determine the use of these products. Before using, the user shall determine the suitability of the products for its intended use, and the user shall assume all responsibility and risk in connection therewith.

WARNING TO DRIVER:

This vehicle has been modified to enhance off road performance and has unique handling characteristics. Use in harsh environments can cause extreme stress on the components. Vehicle should be inspected after being off road to make sure that all the components are in working order and safe to travel on the highway. All fasteners should be checked so that they are at the correct torque specifications as the vibration and stresses from off-roading may cause critical fasteners to work loose. Extra care should be taken to inspect the critical components, steering, and brake systems. During each oil change components such as arms, tie rod ends, etc. should be greased and checked for excessive wear. Any worn components should be replaced. When returning to the pavement always set or restore tire air pressure to the factory recommendation and connect or engage any disabled sway bar mechanisms. Because of the higher center of gravity and larger tires, this vehicle handles and reacts differently than many passenger cars, both on and off road. You must drive it safely! Extreme care should be taken to prevent vehicle rollover or loss of control, which can result in serious injury or death. Avoid sudden sharp turns or abrupt maneuvers. Generally, braking performance and capabilities are decreased when significantly larger/heavier tires are used, especially when used in combination with transfer case low-range reduction kits. Take this into consideration while driving. Do not add, alter or fabricate any factory or aftermarket parts to increase vehicle height over the intended height of the TeraFlex product purchased. Mixing component brand is not recommended. TeraFlex Inc. will not be responsible for any altered product or any improper installation or use of our products. We will be happy to answer any questions concerning the design, function, and correct use of our products. It is ultimately the buyer's responsibility to have all bolts/nuts checked for tightness after the first 100 miles and then every 3000 miles. Wheel alignment, steering system, suspension and drive line systems must be inspected by a qualified professional mechanic at least every 3000 miles.

TERAFLEX PRODUCT WARRANTY:

Tera Manufacturing warrants TeraFlex Suspension products to the original retail purchaser to be free of defects in material and workmanship for as long as the original purchaser owns the vehicle on which products were originally installed. Failure to complete regular maintenance (grease every 3000 miles) on TeraFlex FlexArms will void this warranty. All other conditions of the standard TeraFlex product warranty apply.

All TeraLow products are covered by TeraFlex's two (2) year warranty to be free of defects in material and workmanship for two years from date purchased.

Tera axles are covered by a 12-month warranty to be free of defects in materials and workmanship. This warranty does not cover or include product finish, improperly installed or applied products, improperly maintained products, products or components used for racing or competition or damage due to abuse or neglect, products that fail due to the use of larger tire and wheel combinations.

All returns must be accompanied by an original invoice. It is the customer's responsibility to remove the product from the vehicle. Shipping charges are the responsibility of the customer. Tera Manufacturing will pay the return freight if the product meets the terms of warranty.

This warranty is for the replacement or repair of defective TeraFlex products only and does not include freight charges, labor charges for removal of or installation of TeraFlex or related products or components, costs incurred due to down time of the vehicle, or lost profits due to vehicle down time.

A returned goods authorization number (RGA#) must accompany any returned products.