

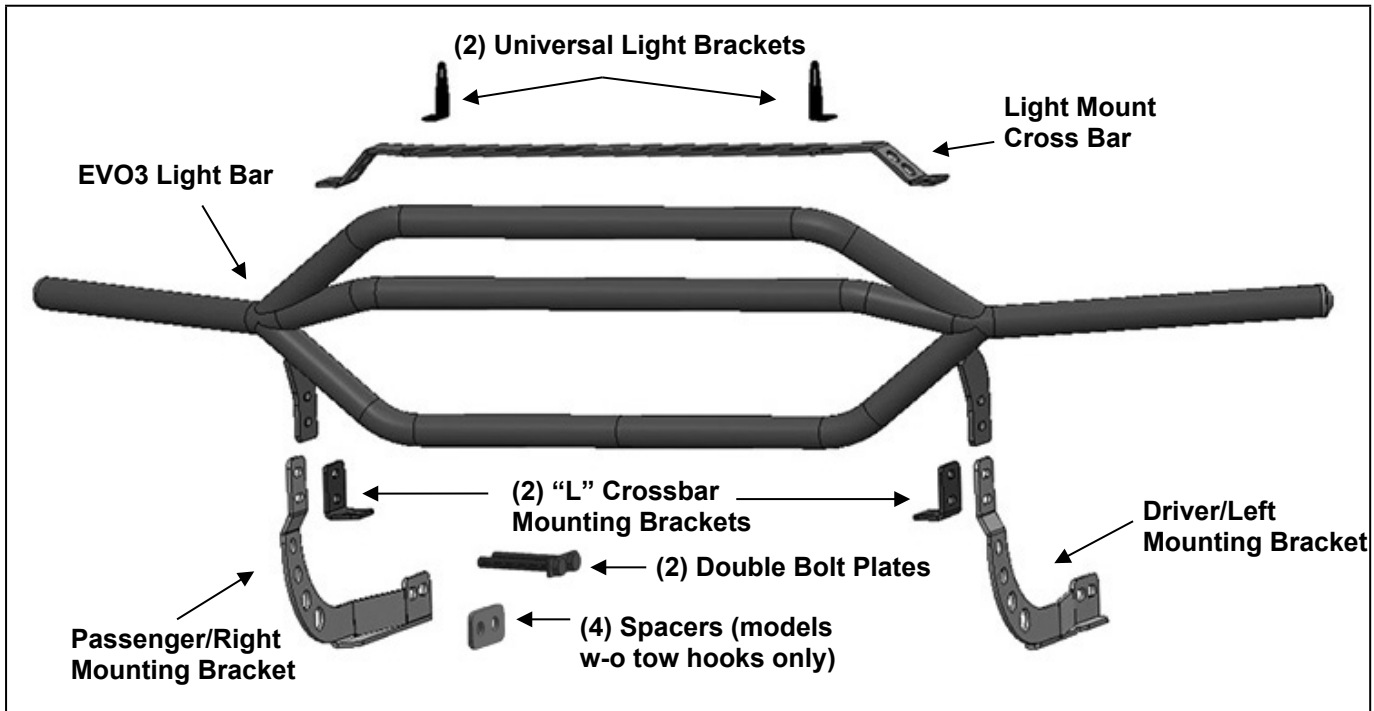
INSTALLATION INSTRUCTIONS

EVO3 LIGHT BAR

2015 CHEVY COLORADO/GMC CANYON

PARTS LIST:

1	EVO3 Front Light Bar	2	12-1.75mm x 100mm Double Bolt Plates
1	Cross Bar Light Mounting Bracket	4	12mm x 32mm OD x 3mm Flat Washers
2	Universal Light Tabs	4	12mm Nylon Lock Nuts
1	Driver/left Frame Mounting Bracket	10	8-1.25mm x 35mm Hex Bolts
1	Passenger/right Frame Mounting Bracket	20	8mm x 24mm OD x 2mm Flat Washers
2	"L" Crossbar Brackets	10	8-1.25mm Nylon Lock Nut
4	Spacers (models w-o tow hooks only)		



PROCEDURE:

REMOVE CONTENTS FROM BOX AND VERIFY ALL PARTS ARE PRESENT. READ INSTRUCTIONS CAREFULLY. CUTTING MAY BE REQUIRED. INSTALLATION MAY INTERFERE WITH FRONT MOUNTED SENSORS. DO NOT USE LIGHT BAR AND/OR BRACKETS FOR TOWING OR PULLING.

NOTE: It may be necessary to remove/relocate front license plate and license plate bracket. It is not required, but strongly recommended. If local/state law requires a front license plate, license plate relocation kit is available.

1. Start installation from under the front of the vehicle. Remove the plastic splash guard from below-behind bumper, **(Figure 1)**. Determine if the vehicle is equipped with tow hooks. Also, it may be necessary to temporarily remove the factory skid plate, (if equipped), to access the mounting locations.

Tow Hook equipped vehicles:

- a. Remove the driver side tow hook hardware from the end of the frame channel, **(Figures 2—4)**. Also remove the seal between the opening in the bumper and the tow hook.
- b. Replace the factory tow hook hardware with the included longer 12mm Double Bolt Plate, **(Figures 5 & 10)**. Reinstall the tow hook over the frame. Insert the 12mm Double Bolt Plate through the tow hook and frame, **(Figure 10)**.
- c. Select the driver side Frame Bracket. Slide the Bracket through the bumper and over the Bolt Plate. Secure the Bracket to the tow hook and Double Bolt Plate with (2) 12mm Flat

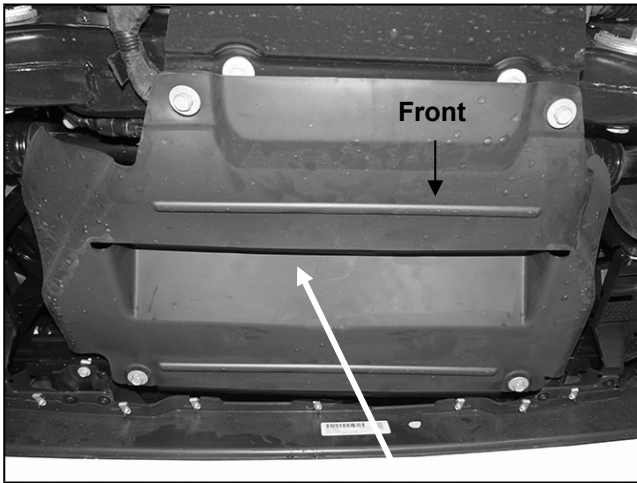
Washers and (2) 12mm Nylon Lock Nuts, **(Figures 5 & 10)**. Do not fully tighten hardware at this time. **NOTE:** Spacers are not required when reinstalling the tow hooks.

- d. Repeat **Steps a—c** to install the passenger side Frame Bracket.
- e. Skip to **Step 2**.

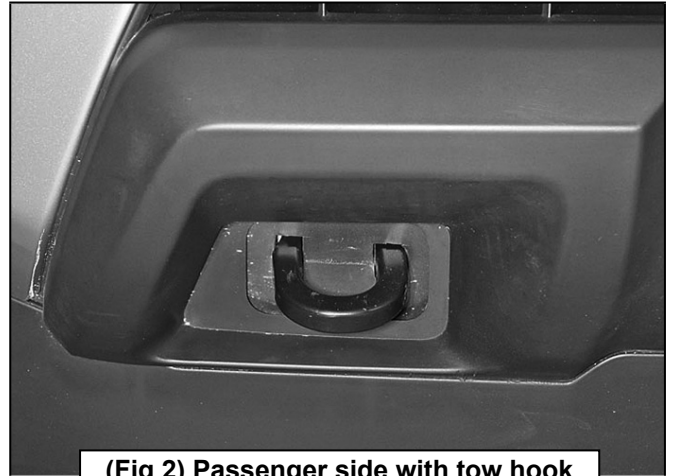
Vehicles without tow hooks:

- a. Cut out the indented area in the driver and passenger side of the plastic bumper to clear the Brackets as pictured, **(Figures 6 & 7)**. **IMPORTANT:** Make several small cuts for best fit. **OPTION:** Cut around the Bracket as indicated, **(Figure 7)**, or cut along the rectangular cut line molded into the pocket, **(Figure 8)**.
 - b. Select the 12mm Double Bolt Plate and (2) Spacers, **(Figure 9)**. Insert the Bolt Plate from the inside out through the frame, **(Figures 4 & 9)**. Slide the (2) Spacers over the threaded end of the Bolt Plate, **(Figure 9)**.
 - c. Select the driver side Mounting Bracket, **(Figure 10)**. Insert the Bracket through the opening in the bumper and over the Bolt Plate and Spacers, (with Spacers between frame and Bracket), and attach with (2) 12mm Flat Washers and (2) 12mm Nylon Lock Nuts, **(Figure 10)**. Do not fully tighten hardware at this time.
 - d. Repeat **Steps a—c** to install the passenger side frame Bracket.
2. With assistance, hold the Light Bar up in position on the inside of the driver side Mounting Bracket. Insert (2) 8mm Hex Bolts with (2) 8mm Flat Washers through the Bracket and tab on the Light Bar. Slide (1) “L” Bracket over the 8mm Hex Bolts and secure with (2) 8mm Flat Washers and (2) 8mm Nylon Lock Nuts. **(Figure 11)**. Do not tighten at this time.
 3. Repeat **Step 2** to attach the Light Bar to the passenger side frame Bracket. **(Figure 12)**. Do not tighten hardware at this time.
 4. Select the Light Mount Cross Bar. Attach the Cross Bar to the top of the tabs on the “L” Brackets with (4) 8mm Hex Bolts, (8) 8mm Flat Washers and (4) 8mm Nylon Lock Nuts, **(Figure 13)**. Do not tighten hardware at this time.
 5. Check the EVO3 Light Bar alignment with the vehicle and the bumper. Adjust as required then starting with the frame Bracket hardware, fully tighten all hardware at this time. Tighten the supplied 8mm hardware to 18-20ft-lbs and 12mm Double Bolt Plate hardware to 45-50ft-lbs.
 6. If installing an accessory light at this time, select the (2) “L” Universal Light Brackets, **(Figure 13)**. Replace the brackets included with the light with the (2) Universal Brackets. Attach the Brackets to the long slot in either side of the Light Mount Cross Bar Bracket with the included (2) 8mm Hex Bolts, (4) 8mm Flat Washers and (2) 8mm Nylon Lock Nuts.
 7. Follow the instructions provided by the light manufacturer to attach the light to the (2) Brackets and to install the electrical wiring.
 8. Do periodic inspections to the installation to make sure that all hardware is secure and tight.

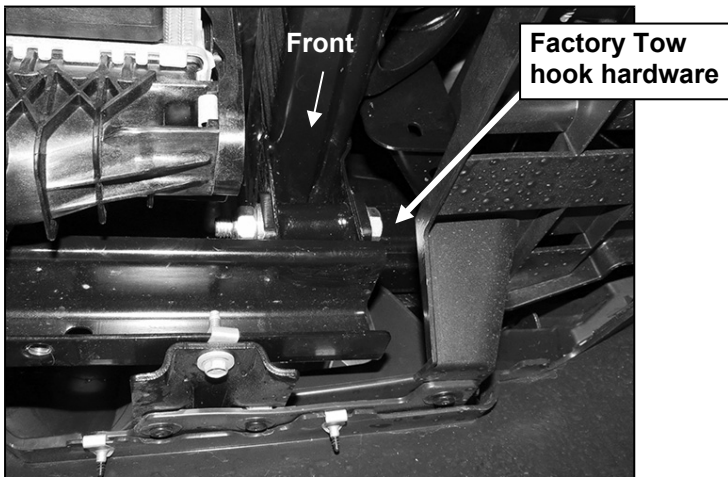
To protect your investment, wax this product after installing. Regular waxing is recommended to add a protective layer over the finish. Do not use any type of polish or wax that may contain abrasives that could damage the finish. Mild soap may be used to clean the EVO3 Light Bar.



(Fig 1) Remove splash guard or skid plate from bottom of engine behind bumper if necessary



(Fig 2) Passenger side with tow hook

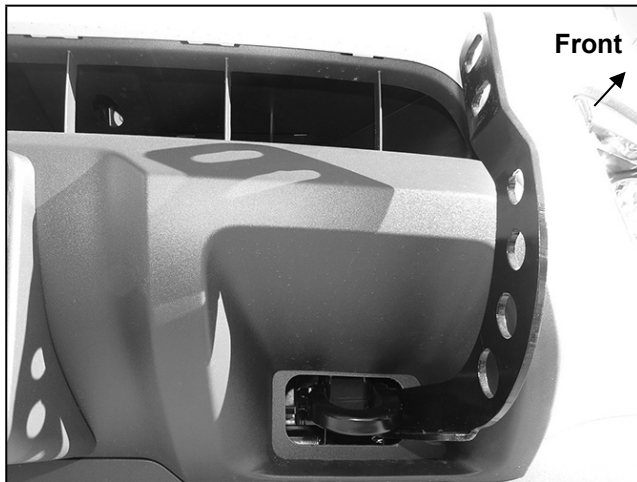


(Fig 3) Passenger side from behind bumper

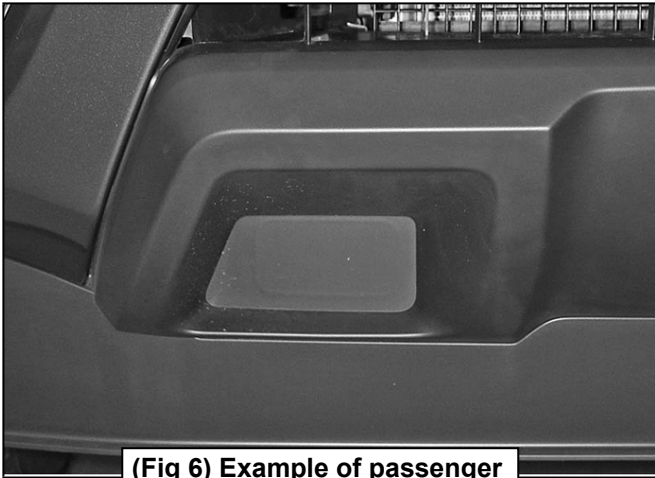
Mounting holes in end of frame for tow hook



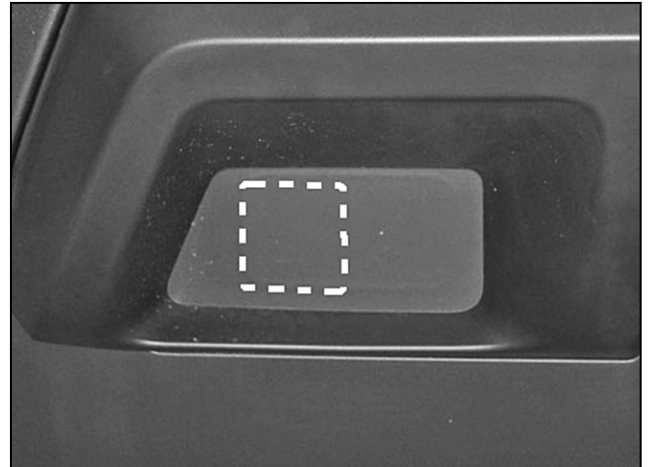
(Fig 4) Driver side pictured without bumper for instruction purposes only. Do not remove bumper



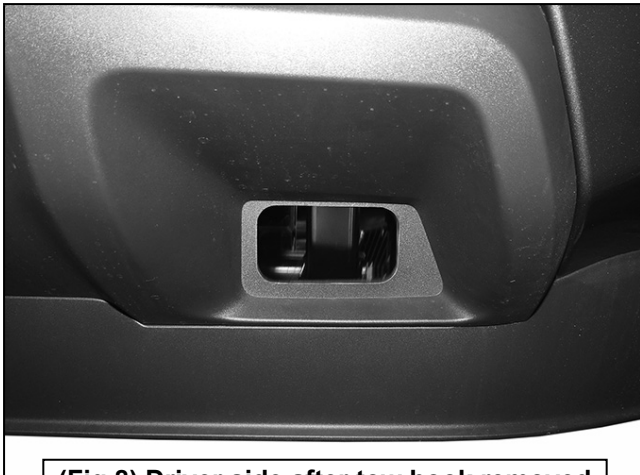
(Fig 5) Driver side Bracket pictured with tow hook



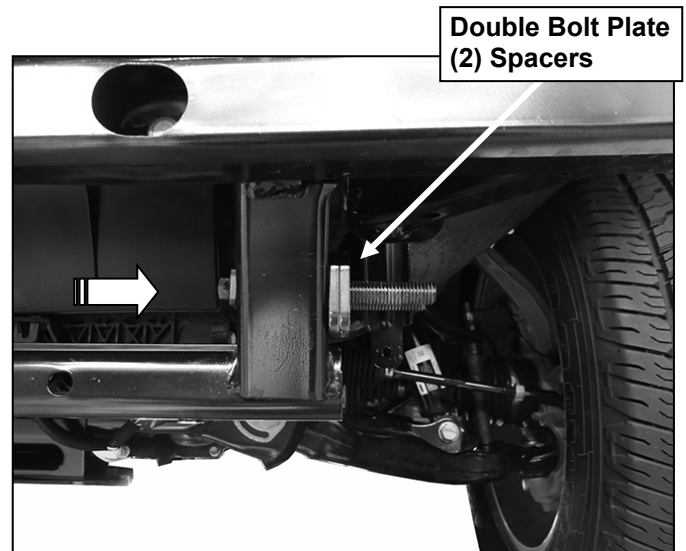
(Fig 6) Example of passenger side, "no tow hook" model



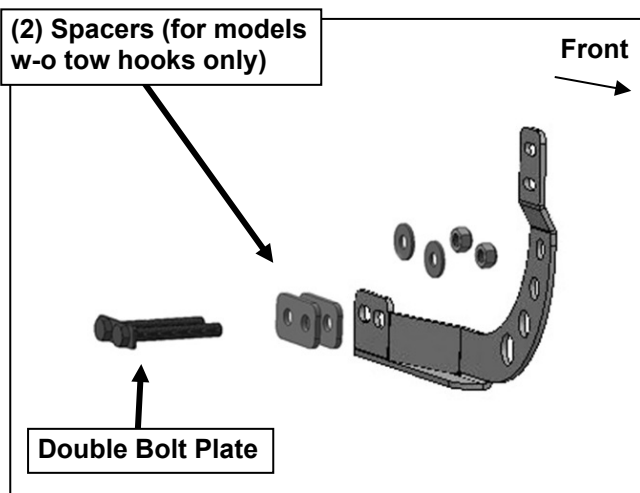
(Fig 7) Passenger side marked for reference only



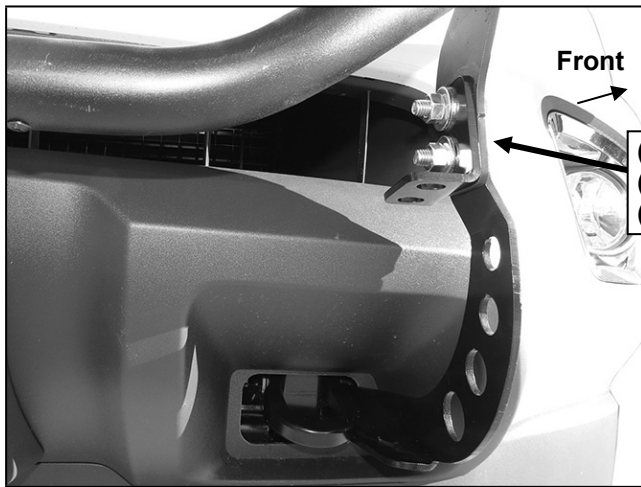
(Fig 8) Driver side after tow hook removed



(Fig 9) On models without tow hooks, insert (2) Spacers between Bracket and frame. Driver side pictured without bumper cover for instructions only

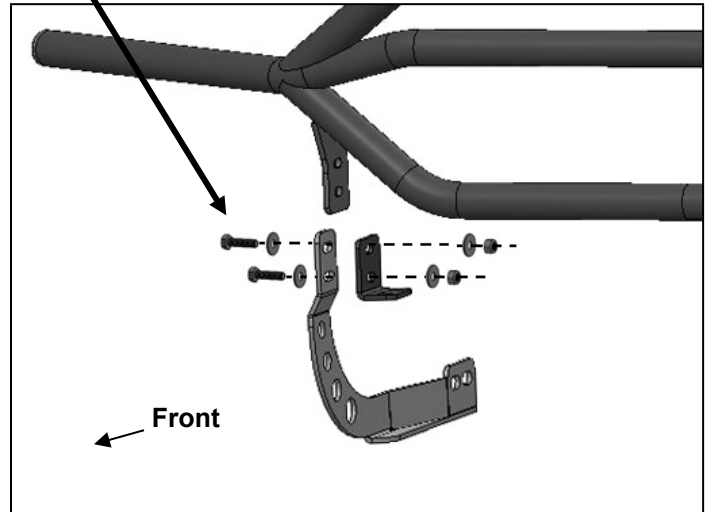


(Fig 10) Driver side Bracket pictured

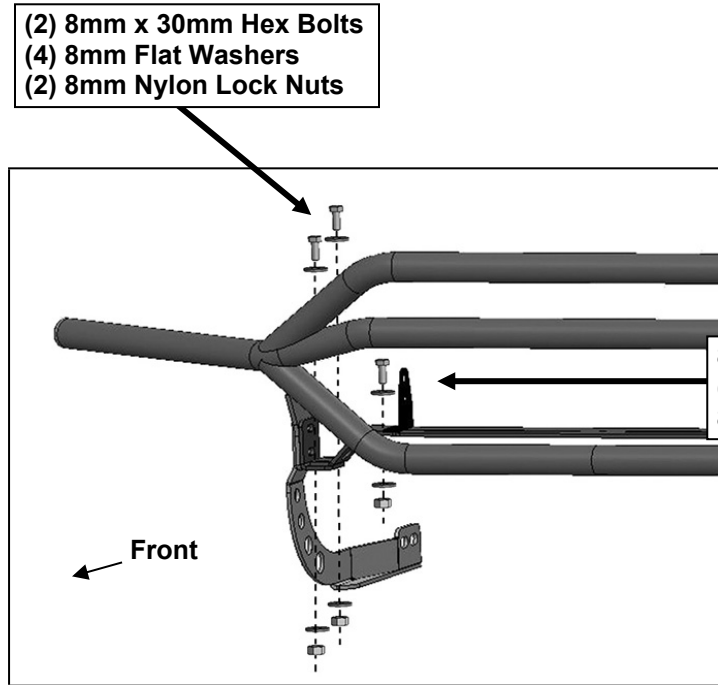


- (2) 8mm x 30mm Hex Bolts
- (4) 8mm Flat Washers
- (2) 8mm Nylon Lock Nuts

(Fig 11) Driver side "L" Bracket installation



(Fig 12) Passenger side "L" Bracket illustrated



- 8mm x 30mm Hex Bolt
- (2) 8mm Flat Washers
- 8mm Nylon Lock Nuts

(Fig 13) Passenger side Cross Bar Light Mount installation illustrated



Complete Installation