



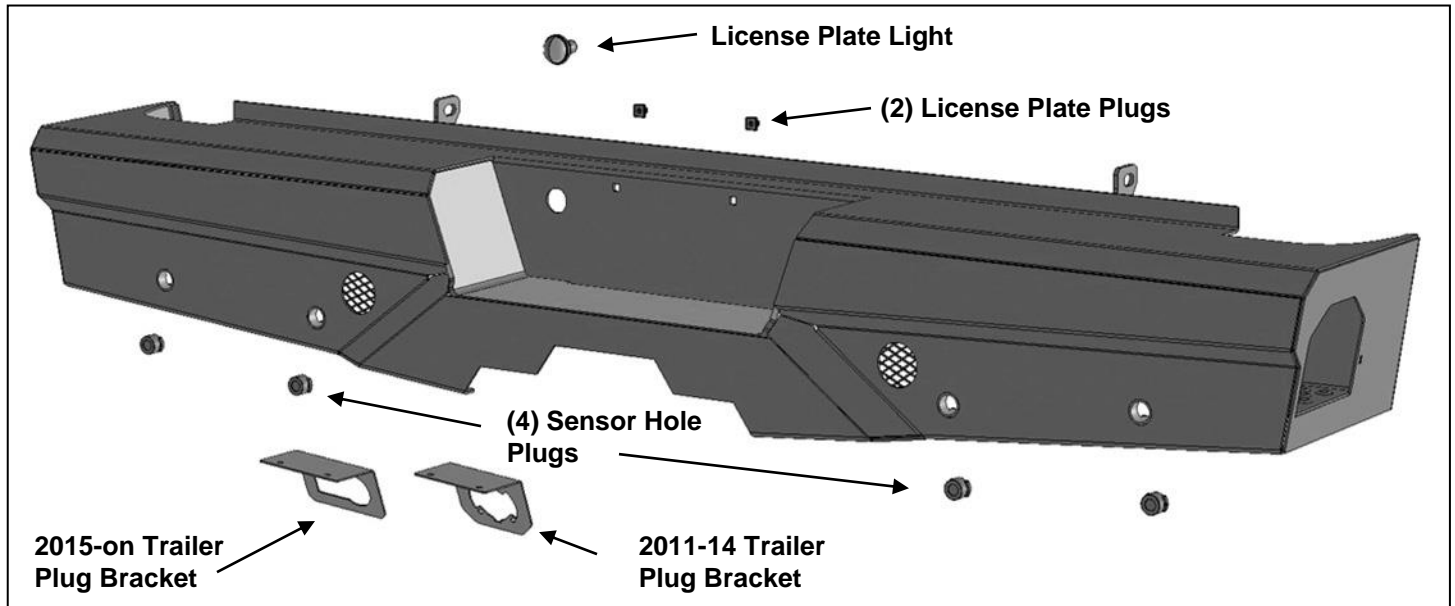
INSTALLATION INSTRUCTIONS

ELEVATION REAR BUMPER

2011-16 CHEVY SILVERADO 25-3500

PARTS LIST:

1	Elevation Bumper	2	10-1.5mm x 50mm Hex Bolts
1	License Plate Light	4	10mm x 34mm OD x 3mm Flat Washers
2	License Plate Plugs	2	10mm Lock Washers
1	2015+ Trailer Plug Wire Harness Bracket	2	10mm Hex Nuts
1	2011-14 Trailer Plug Wire Harness Bracket	2	6mm x 15mm Hex Bolts
4	Sensor Hole Plugs	4	6mm x 18mm OD x 1.6mm Flat Washers
2	Self-Tapping Screws (11-14 trailer plug)	2	6mm Nylon Lock Nuts
6	14-2.0mm x 45mm Hex Bolts	8	4mm x 10mm Button Head Bolts
12	14mm x 28mm OD x 2.5mm Flat Washers	1	4mm Allen Wrench
6	14mm Nylon Lock Nuts		



PROCEDURE:

REMOVE CONTENTS FROM BOX. VERIFY ALL PARTS ARE PRESENT. READ INSTRUCTIONS CAREFULLY BEFORE STARTING INSTALLATION. BUMPER IS HEAVY, ASSISTANCE IS HIGHLY RECOMMENDED TO AVOID POSSIBLE INJURY OR DAMAGE TO THE VEHICLE.

1. Remove the license plate. On models with bumper sensors, unplug all sensors. Remove the trailer plug from the bumper. Release the wiring harness from the clips attached to the back of the bumper and move harness away from bumper as necessary.
2. Place blocks or jack stands under the bumper to support it during mounting bolt removal. **NOTE:** Bumper may be attached to top of factory tow hitch, **(Figure 1)**. Remove these (2) hex bolts first if equipped. Once the bumper has been safely supported, remove the remaining factory bumper bolts from the side and bottom of the frame, **(Figure 2)**. **WARNING!** Assistance is required to hold the bumper in place during bolt removal to prevent the bumper from falling. Carefully slide the bumper with brackets out of the end of the frame, **(Figure 3)**. **IMPORTANT:** On some model/years, the bed will overhang the end of the frame and interfere with removing the assembled bumper with brackets. On these models, release the plastic clips attaching the plastic cover to the steel bumper. Remove cover and hardware attaching the bumper to the bumper brackets. With assistance, remove the outer steel bumper, then slide the brackets out of the ends of the frame.
3. With assistance, position the Bumper Assembly up to and into the end of the frame. Temporarily support the weight of the Bumper. **WARNING:** To avoid possible injury or damage to the vehicle, do not proceed until the Bumper is fully and safely supported.
4. Line up the forward mounting holes in the mounting plates on the Bumper with the smaller forward holes in the frame with the included (2) 10mm x 50mm Hex Bolts, (4) 10mm Flat Washers, (2) 10mm Lock Washers and (2) 10mm Hex Nuts, **(Figure 4)**. Next, attach the brackets to the larger factory holes in the frame with (2) 14mm x 45mm Hex Bolts, (4) 14mm Flat Washers and (2) 14mm Nylon Lock Nuts.

NOTE: On some models/years, the factory tow hitch may have support straps attached to the side of the frame, **(Figure 5)**. Use the included (2) 14mm x 45mm Hex Bolts, (4) 14mm Flat Washers and (2) 14mm Nylon Lock Nuts to attach the straps to the top mounting holes.

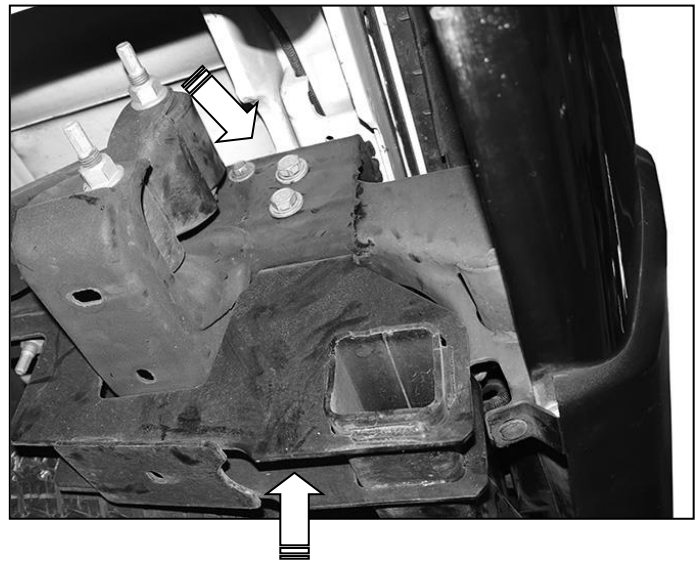
5. Next, from under the frame, attach the bumper brackets to the bottom of the frame with (2) 14mm x 45mm Hex Bolt, (4) 14mm Flat Washers and (2) 14mm Nylon Lock Nut, **(Figure 6)**. Do not tighten hardware at this time.
6. Check the bumper to see if it is level and if there is a gap between the top of the factory trailer hitch and the bottom of the mounting plate on the back of the bumper. Do not tighten hardware at this time.
7. Level and adjust the bumper and fully tighten all 14mm hardware to 65-70ft-lbs. Tighten the 10mm hardware to 35-40ft-lbs.
8. Select the correct mounting plate for your trailer harness plug, **(Figure 7)**. Attach the mounting plate to the bottom of the bumper with (2) 6mm Hex Bolts, (4) 6mm Flat Washers and (2) 6mm Nylon Lock Nuts. **NOTE:** On 2011-14 models, use the included (2) Self Tapping Screws to attach the trailer plug to the Bracket.
9. Use the included (2) push-in Plastic Nuts to attach the rear license plate to the (2) holes in the Bumper, **(Figure 8)**. Insert the License Plate Light into the hole in the bumper. Attach the License Plate Light wiring to the end of the factory license plate light wire harness.
10. On models with bumper mounted sensors, remove rubber plugs from sensor holes.
 - a. Push the sensor into the mounting socket in the back of the bumper.
 - b. Secure each sensor to the socket with (2) 4mm x 10mm Button Head Screws, **(Figure 9)**.
IMPORTANT: Sensors fit snug in sockets. The 4mm Screws are used to apply slight pressure to lock the sensors in place. Tighten both screws evenly until they touch the sensor body only. Do not overtighten screws or damage to sensors will result.
11. Do periodic inspections to the installation to make sure that all hardware is secure and tight.

To protect your investment, wax this product after installing. Regular waxing is recommended to add a protective layer over the finish. Do not use any type of polish or wax that may contain abrasives that could damage the finish. Mild soap may be used to clean the Heavy Duty Rear Bumper assembly.

WARNING! Before removing hardware, fully support the weight of the bumper with blocks or stands to prevent injury or damage to the vehicle.



(Fig 1) Factory bumper may be attached to top of tow hitch. Remove factory hex bolts as required.



(Fig 2) Remove bumper bolts from side and bottom of frame (arrows) as required

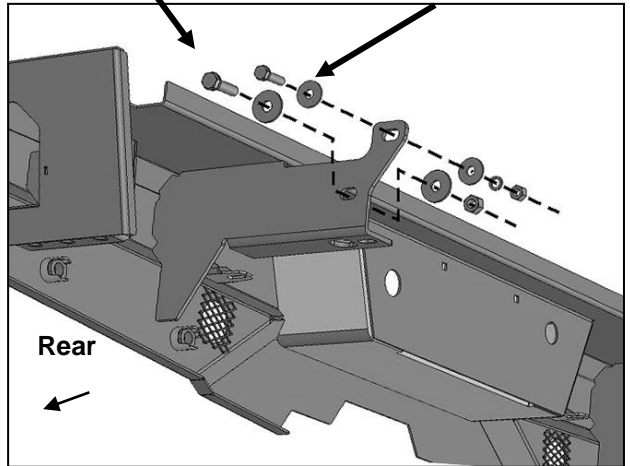


(Fig 3) End of frame once factory bumper is removed

WARNING! Before removing hardware, fully support the weight of the bumper with blocks or stands to prevent injury or damage to the vehicle.

14mm x 45mm Hex Bolt
(2) 14mm Flat Washers
14mm Nylon Lock Nut

10mm x 50mm Hex Bolt
(2) 10mm Flat Washers
10mm Lock Washer
10mm Hex Nut



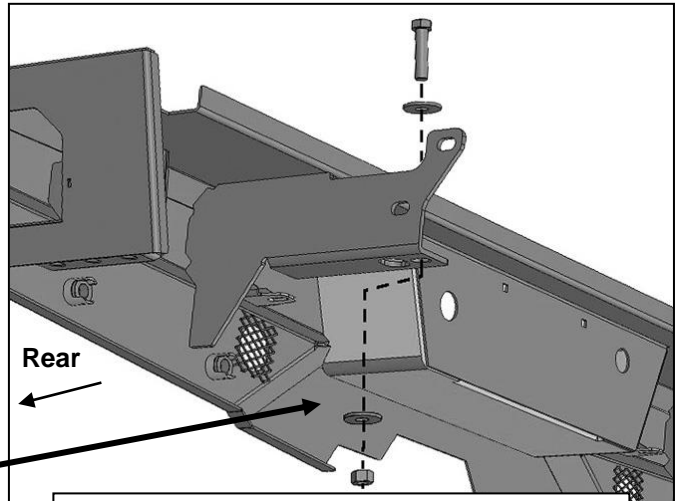
(Fig 4) Attach passenger side Frame Bracket assembly to end of frame (also see Fig. 6)

Replace top factory hex bolt with:
14mm x 45mm Hex Bolt
(2) 14mm Flat Washers
14mm Nylon Lock Nut
(if equipped with support strap on hitch)

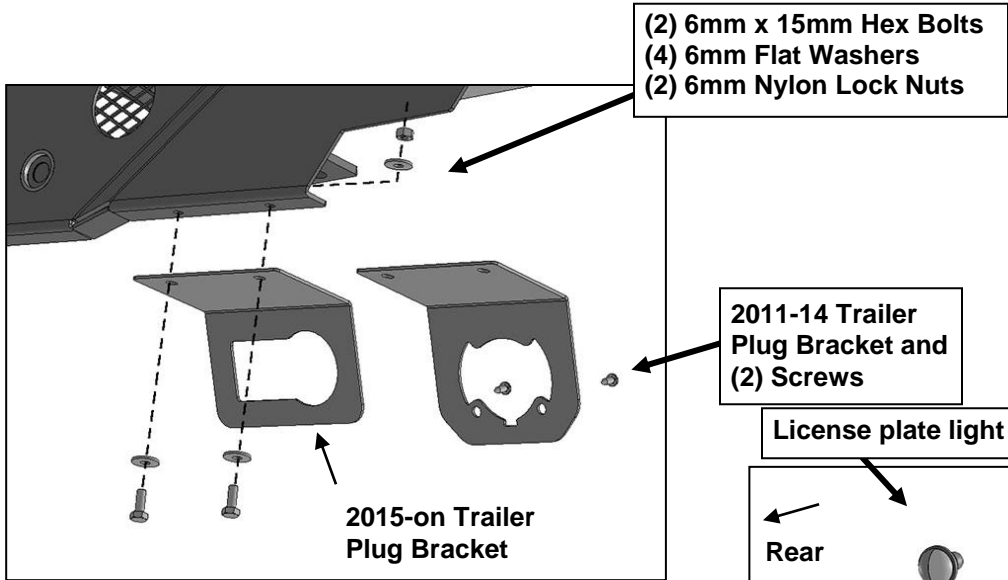


Fig 5

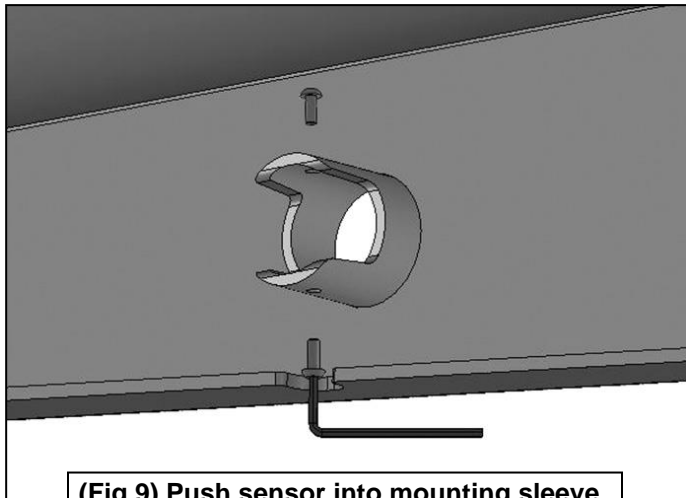
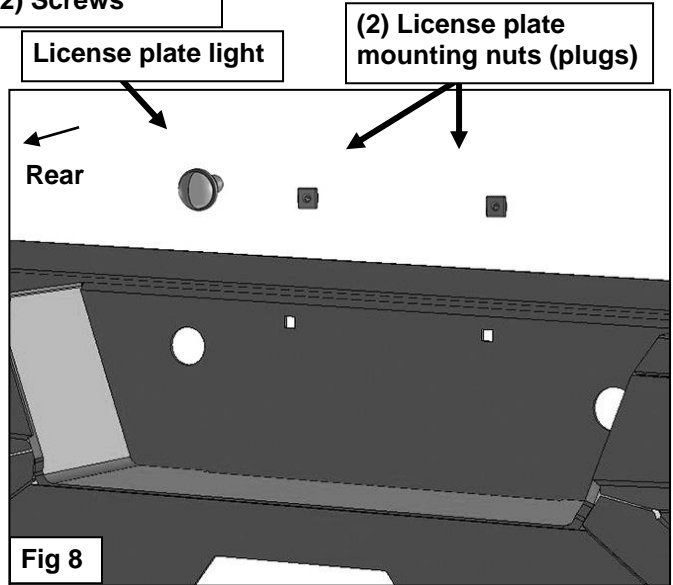
14mm x 45mm Hex Bolt
(2) 14mm Flat Washers
14mm Nylon Lock Nut



(Fig 6) Attach Bumper Bracket to bottom mounting holes in frame. Passenger side of Bumper assembly pictured



(Fig 7) Attach correct bracket for trailer plug to bottom of Bumper



IMPORTANT: Sensors fit snug in sockets. The 4mm Screws are only used to apply slight pressure to lock the sensors in place. Tighten both screws evenly until they touch the sensor body only. Do not overtighten screws or damage to sensors will result.

