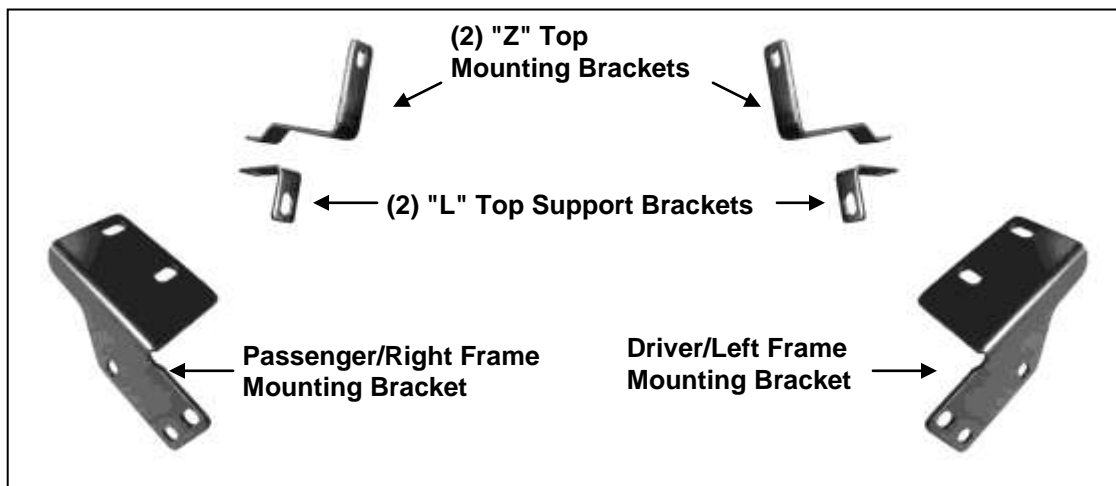


PARTS LIST:

1	Grille Guard	12	12mm x 24mm OD x 2.5mm STD Flat Washers
1	Driver/Left Frame Mounting Bracket	10	12mm Nylon Lock Nuts
1	Passenger/Right Frame Mounting Bracket	2	10-1.5mm x 25mm Hex Bolts
2	"Z" Top Mounting Brackets	4	10mm x 20mm OD x 2mm Flat Washers
2	"L" Top Support Brackets	2	10mm Nylon Lock Nuts
6	12-1.75mm x 30mm Hex Bolts	2	6-1.0mm x 25mm Hex Bolt
4	12-1.75mm x 40mm Hex Bolts	4	6mm x 12mm OD x 1.6mm Flat Washers
8	12mm x 32mm OD x 3mm Large Flat Washers	2	6mm Nylon Lock Nuts



PROCEDURE:

- 1. REMOVE CONTENTS FROM BOX. VERIFY ALL PARTS ARE PRESENT. READ INSTRUCTIONS CAREFULLY BEFORE STARTING INSTALLATION. ASSISTANCE IS RECOMMENDED. CUTTING MAY BE REQUIRED.**
- Starting on the driver side of the vehicle, remove the tow hook by removing the two hex bolts securing it to the frame rail, **(Figure 1)**. Position the driver side Frame Mounting Bracket up to the frame rail sandwiched between the tow hook and the frame. Bolt the tow hook and Bracket in place with the factory hardware, **(Figure 2)**. Snug but do not tighten hardware at this time. Repeat this Step for passenger side Frame Mounting Bracket installation. **NOTE:** If the vehicle is not equipped with tow hooks, use the included (4) 12mm x 40mm Hex Bolts, (8) 12mm x 32mm Large Flat Washers and (4) 12mm Nylon Lock Nuts. **NOTE:** The indented pockets in the plastic lower bumper may need to be cut out to clear the Mounting Brackets on vehicles without tow hooks, **(Figure 3)**.
- Next, remove the factory hex bolt located on the back of the front bumper securing the bumper to the top of the bumper bracket, **(Figure 4)**. Select (1) "L" Top Support Bracket and attach it to the back of the factory bumper bracket using the factory hex bolt, **(Figure 5)**. Snug but do not tighten at this time. Repeat this Step to install the passenger side Top Support Bracket.
- Select (1) "Z" Top Mounting Bracket and insert it through the opening in the bottom of the grille, **(Figure 6 & 7)**. Attach it to the "L" Top Support Bracket installed in **Step 3** using (1) 10mm Hex Bolt, (2) 10mm Flat Washers and (1) 10mm Nylon Lock Nut, **(Figures 8A & 8B)**. Do not tighten at this time. Repeat this Step for passenger side Top Bracket installation.
- With assistance, position the mounting tabs on the Grille Guard up to the outside of the Frame Mounting Brackets. Bolt the Grille Guard to the Brackets with the included (6) 12mm x 30mm Hex Bolts, (12) 12mm x 24mm STD Flat Washers and (6) 12mm Nylon Lock Nuts, **(Figure 9)**. Snug but do not tighten hardware at this time.

GRILLE GUARD
99-03, 04 HERITAGE F150 4WD
99-02 EXPEDITION 4WD

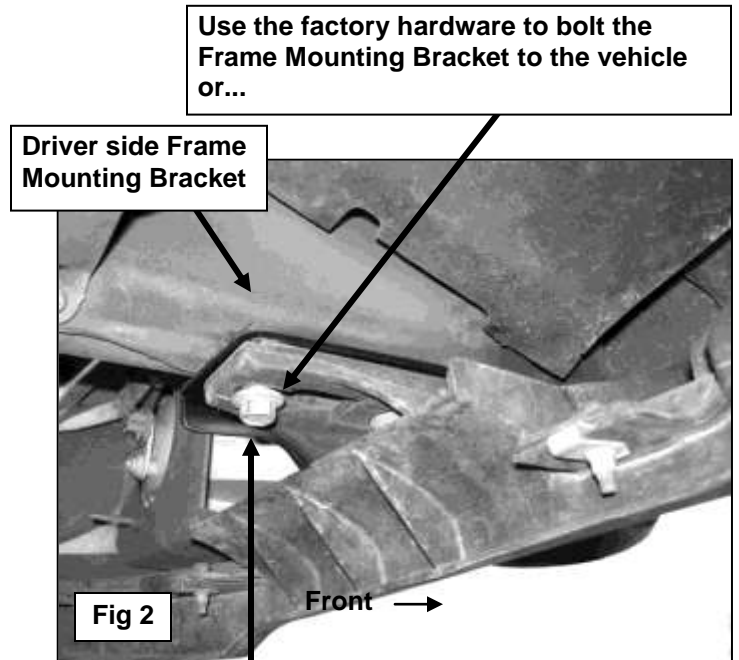
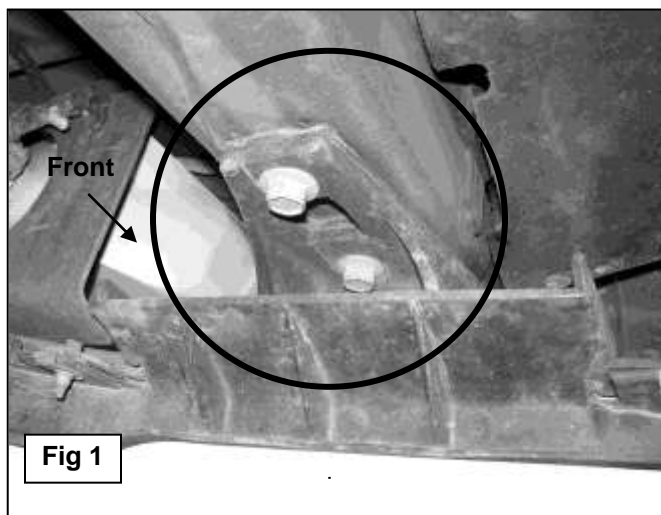
6. Move the Grille Guard into position and line up the Top Mounting Brackets with the mounting slots in the back of the cross bar on the Grille Guard. Bolt the Mounting Brackets to the cross bar with (2) 6mm Hex Bolts, (4) 6mm Flat Washers and (2) 6mm Nylon Lock Nuts, **(Figure 10)**.
7. With the hood open, push the Grille Guard back until it is upright. Align, center and adjust the Grille Guard properly. Adjust the Brackets for fit as necessary and tighten all mounting hardware including the hardware behind the bumper and Mounting Brackets. Carefully close the hood and check for clearance between the Top Brackets and the factory grille insert.
8. Do periodic inspections to the installation to make sure that all hardware is secure and tight.

To protect your investment, wax this product after installing. Regular waxing is recommended to add a protective layer over the finish. Do not use any type of polish or wax that may contain abrasives that could damage the finish.

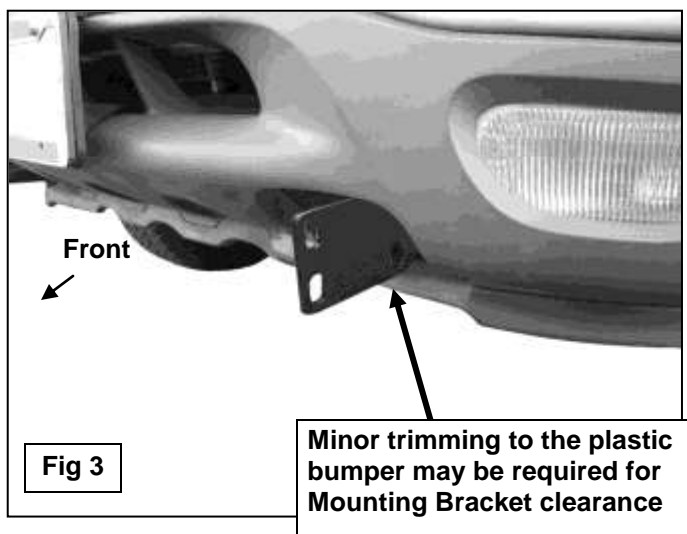
For stainless steel: Aluminum polish may be used to polish small scratches and scuffs on the finish. Mild soap may be used also to clean the Grille Guard.

For gloss black finishes: Mild soap may be used to clean the Grille Guard.

Driver Side Installation Pictured

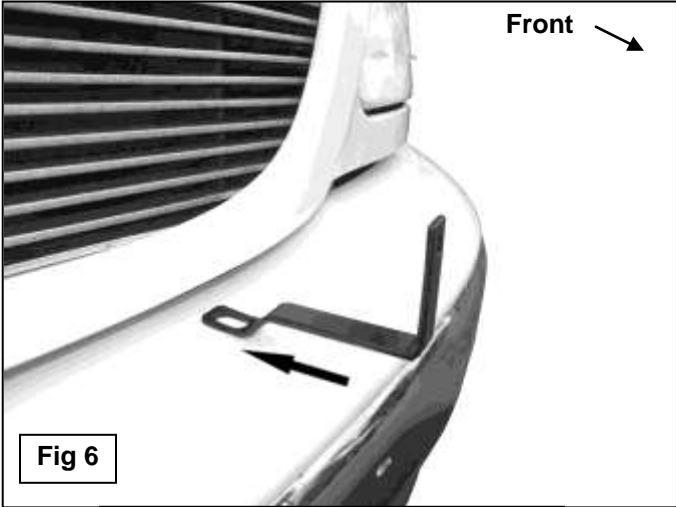
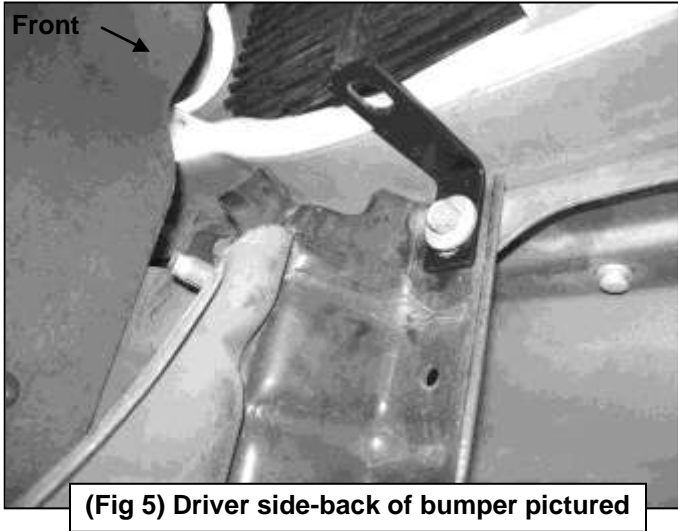
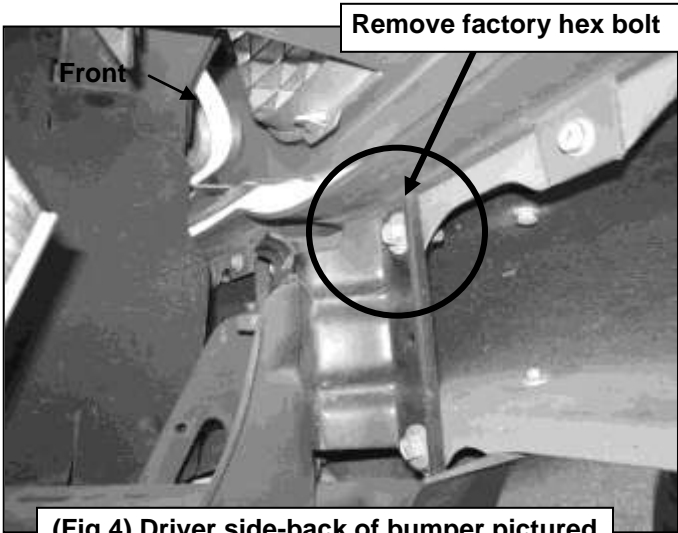


(2) 12mm x 40mm Hex Bolt
(4) 12mm x 32mm Large Flat Washers
(2) 12mm Nylon Lock Nut

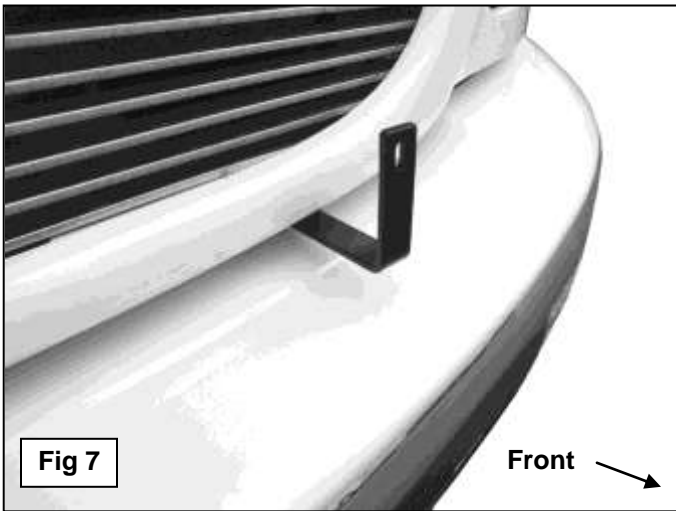


**GRILLE GUARD
99-03, 04 HERITAGE F150 4WD
99-02 EXPEDITION 4WD**

Driver Side Installation Pictured



**Insert Top Mounting Bracket
between grille and top of bumper**



GRILLE GUARD
99-03, 04 HERITAGE F150 4WD
99-02 EXPEDITION 4WD

Driver Side Installation Pictured

