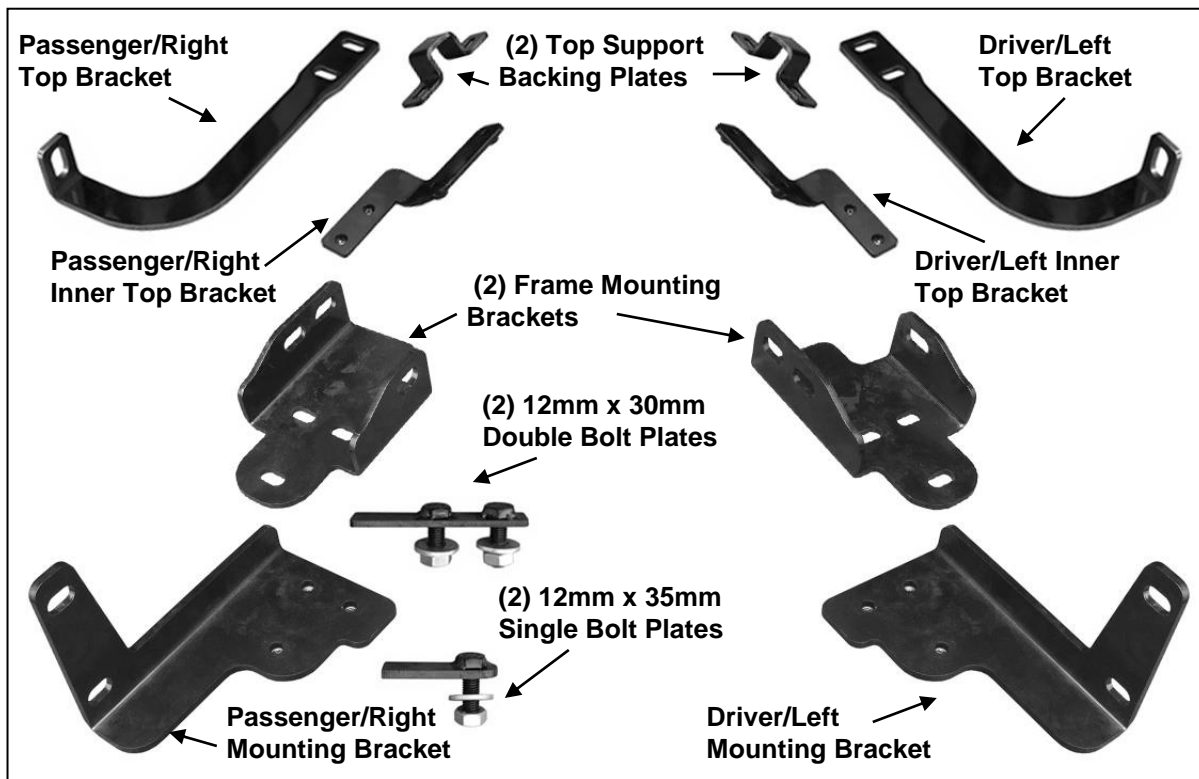


**PARTS LIST:**

Qty	Description	Qty	Description
1	Grille Guard Assembly	6	12-1.75mm Hex Nuts
2	Frame Brackets	4	10-1.50mm x 30mm Hex Bolts
1	Driver/Left Mounting Bracket	8	10mm x 27mm OD x 3mm Flat Washers
1	Passenger/Right Mounting Bracket	4	10mm Lock Washers
1	Driver/Left Top Bracket	4	10-1.50mm Hex Nuts
1	Passenger/Right Top Bracket	2	8-1.25mm x 25mm Button Head Allen Bolts
1	Driver/Left Top Inner Support Bracket	6	8-1.25mm x 25mm Hex Bolts
1	Passenger/Right Top Inner Support Bracket	10	8mm x 16mm OD x 1.6mm Flat Washers
2	Top Support Rear Backing Plates	6	8mm Lock Washers
2	12-1.75mm x 30mm Double Bolt Plates	2	8-1.25mm Nylon Lock Nuts
2	12-1.75mm x 35mm Single Bolt Plates	8	6-1.0mm x 25mm Hex Bolts
6	12mm x 24mm OD x 2.5mm Flat Washers	8	6mm x 18mm OD x 1.6mm Flat Washers
6	12mm Lock Washers	8	6mm Lock Washers



**PROCEDURE:**

**REMOVE CONTENTS FROM BOX AND VERIFY ALL PARTS ARE PRESENT. READ INSTRUCTIONS CAREFULLY. DO NOT ATTEMPT INSTALLATION ALONE; PERSONAL INJURY OR DAMAGE TO THE VEHICLE MAY RESULT. CUTTING MAY BE REQUIRED. GRILLE GUARD IS HEAVY, ASSISTANCE IS HIGHLY RECOMMENDED. INSTALLATION MAY INTERFERE WITH FRONT MOUNTED SENSORS.**

1. Start installation from under the front of the vehicle. Determine if the vehicle is equipped with tow hooks. **IMPORTANT:** Tow hooks cannot be reinstalled with the Grille Guard.

**Tow Hook equipped vehicles:**

- a. Remove the factory tow hook from the end of each frame channel, **(Figure 1)**. **NOTE:** The driver side tow hook removal is difficult and assistance is highly recommended.

**EXTREME GRILLE GUARD  
2014 GMC SIERRA 1500  
EXCLUDES DENALI**

- i. **Option 1:** Remove the hex bolts securing the driver side of the bumper to the bracket. Use a short pry bar or large screwdriver to move the tab on the bumper bracket up and away to clear the hex bolt and slide it out past the bumper bracket, **(Figures 2A, 2B & 4)**.
- ii. **Option 2:** Remove the plastic radiator grille. Loosen and/or completely remove the front bumper to remove the long hex bolts in the tow hooks, **(Figure 2B)**.
- b. Reattach the bumper after the tow hooks have been removed and the openings have been checked for Bracket clearance, **(Figure 3)**. Tighten all factory bumper hardware.
- c. Proceed to **Step 2**.

**Vehicles without tow hooks:**

- a. Cut out the indented area in both sides of the plastic bumper insert to clear the Brackets as pictured in **Figures 3 & 4**. **IMPORTANT:** Make several small cuts for best fit. Do not cut through the top edge of the panel. **NOTE:** The plastic panel is held in place with several small screws. The screws at the top corners are difficult to reach and remove with the bumper in place without damaging the cover. If you prefer to remove the panel to cut out the openings, it may be easier to remove the plastic grille first and then the steel bumper with the plastic panel attached, to access all of the small hardware.
  - b. Reattach the bumper and/or bumper insert, (if removed), once openings have been cut out and checked for clearance, **(Figure 3)**. Tighten all factory bumper hardware at this time.
2. Locate the holes in the end of the frame channel, **(Figure 4)**. Select (1) Frame Bracket, **(Figure 5)**. Insert the Bracket through the opening in the bumper. Line up the (3) holes in the Bracket with the holes in the side of the frame.
  3. Select (1) 12mm Double Bolt Plate, **(Figure 6A)**. Insert the Bolt Plate into the end of the frame channel, through the (2) holes in the side of the frame and out through the Bracket. Secure the Bolt Plate to the Bracket with (2) 12mm Flat Washers, (2) 12mm Lock Washers and (2) 12mm Hex Nuts, **(Figure 6B)**. Snug but do not fully tighten hardware at this time. Repeat to install the 12mm x 35mm Single Bolt Plate, **(Figure 7A)**, in the remaining hole in the other side of the frame channel and Bracket, **(Figures 7B & 7C)**.
  4. Next, select the driver side Mounting Bracket. Bolt the Mounting Bracket to the bottom of the Frame Bracket with (3) 8mm x 25mm Hex Bolts, (3) 8mm Lock Washers and (3) 8mm Flat Washers, **(Figures 8 & 9)**. Do not tighten hardware at this time.
  5. Repeat **Steps 2—4** to install the passenger side Frame and Mounting Brackets
  6. Next, open the hood and remove the plastic cover between the top of the grille and the radiator, **(Figure 10)**. Use a small flat blade screw driver to pop up the center of the plastic clips. Locate and remove the hardware bolting the top of the grille in place. Carefully pull the grille straight out from the vehicle to release the grille from the clips and tilt forward, **(Figure 10)**. **IMPORTANT:** It is not necessary to completely remove the grille, just make sure all hardware has been removed before pulling on grille to release from clips. **NOTE:** On some models, Top Brackets can be installed through the openings in the grille without removing or releasing the grille.
  7. Locate the square tube support braces between the grille and the radiator running up at an angle from the top of the frame channel to the bottom of the hood release mechanism, **(Figures 11B, 13 & 14)**. Select the driver side Inner Top Bracket and (1) Backing Plate, **(Figure 11A)**. Hold the Inner Bracket up to the bottom of the brace tube with the Backing Plate over the top. Bolt the Brackets together around the square tube with (2) 6mm x 25mm Hex Bolts, (2) 6mm Lock Washers and (2) 6mm Flat Washers, **(Figure 11B)**. Leave loose at this time.
  8. Select the driver side Outer Top Bracket, **(Figure 12)**. Insert the Outer Bracket through the grille and up to the Inner Top Bracket assembly, **(Figure 13)**. Slide the Bracket assembly up or down the tube to match up with the Outer Top Bracket. Bolt the Outer Bracket to the top of the Inner Bracket with (2) 6mm x 25mm Hex Bolts, (2) 6mm Lock Washers and (2) 6mm Flat Washers, **(Figures 13—15)**. Leave all hardware loose at this time.
  9. Repeat **Steps 7 & 8** for passenger side Top Bracket assembly installation, **(Figure 14)**.
  10. With assistance, hold the Grille Guard up in position on the outside of the Mounting Brackets. Bolt the Grille Guard to the Brackets with (4) 10mm x 30mm Hex Bolts, (8) 10mm Flat Washers, (4) 10mm Lock Washers and (4) 10mm Hex Nuts, **(Figure 16)**. Do not tighten hardware at this time.

**EXTREME GRILLE GUARD  
2014 GMC SIERRA 1500  
EXCLUDES DENALI**

11. Check the Grille guard side-to-side alignment with the vehicle. Adjust as required then tighten only the (6) 8mm Hex Bolts securing the Mounting Brackets to the bottom of the Frame Brackets. Do not fully tighten the Grille Guard to Bracket hardware at this time.
12. Line up the outer bent end of the driver side Top Bracket with the hole in the Grille Guard upright. Bolt the Top Bracket to the upright with (1) 8mm x 25mm Button Head Allen Bolt, (2) 8mm Flat Washers and (1) 8mm Nylon Lock Nut, **(Figures 15 & 17)**. **NOTE:** It may be necessary to loosen and slide the Inner Top Bracket assembly up or down to properly match up the Outer Top Bracket with the hole in the upright on the Grille Guard.
13. Repeat **Step 12** for passenger side Top Bracket installation.
14. Level and adjust the Grille Guard and fully tighten all hardware including bumper, bumper bracket and all Grille Guard Bracket hardware. **IMPORTANT:** Adjust the position of the Top Brackets so that they cannot come in contact with the plastic grille, **(Figures 13—15 & 17)**.
15. Reattach the plastic grille and top plastic cover if loosened.
16. Do periodic inspections to the installation to make sure that all hardware is secure and tight.

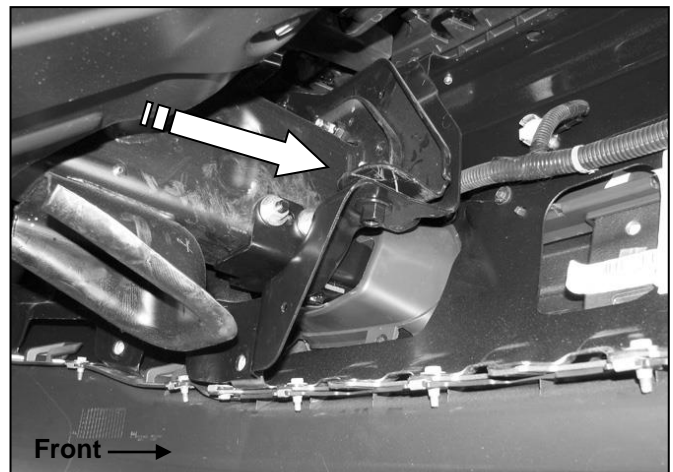
**To protect your investment**, wax this product after installing. Regular waxing is recommended to add a protective layer over the finish. Do not use any type of polish or wax that may contain abrasives that could damage the finish.

**For gloss black finishes:** Mild soap may be used to clean the Grille Guard.



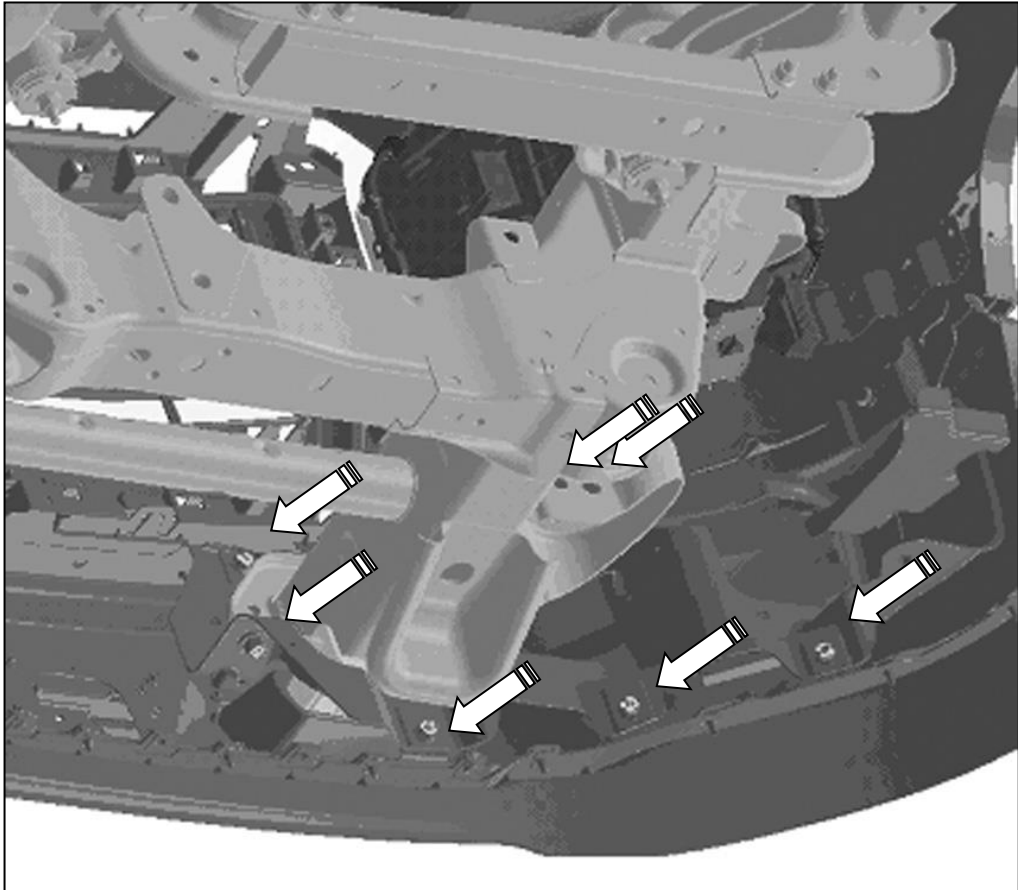
**(Fig 1) Opening for tow hook pictured**

**Remove the bolts securing the driver side of the bumper to the bumper bracket. Use a large screwdriver or pry bar to move the mounting tab up to get the long bolt through the tow hook out of the end of the frame**

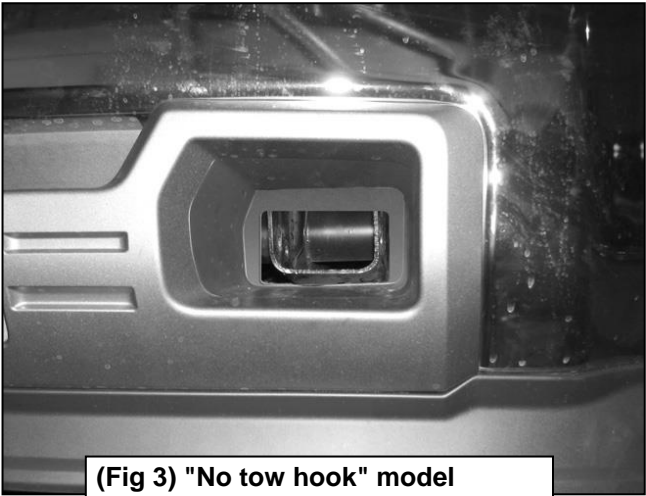


**(Fig 2A) Driver side pictured from behind bumper**

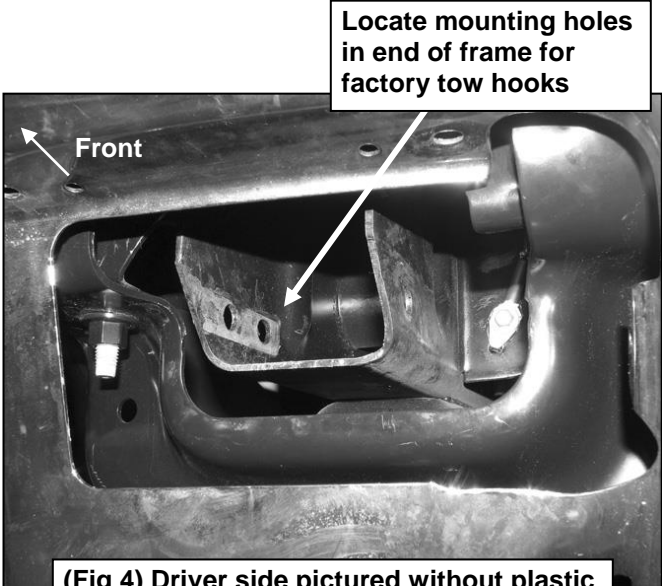
**EXTREME GRILLE GUARD  
2014 GMC SIERRA 1500  
EXCLUDES DENALI**



**(Fig 2B) Passenger side illustrated from behind bumper to show bumper bolt locations**

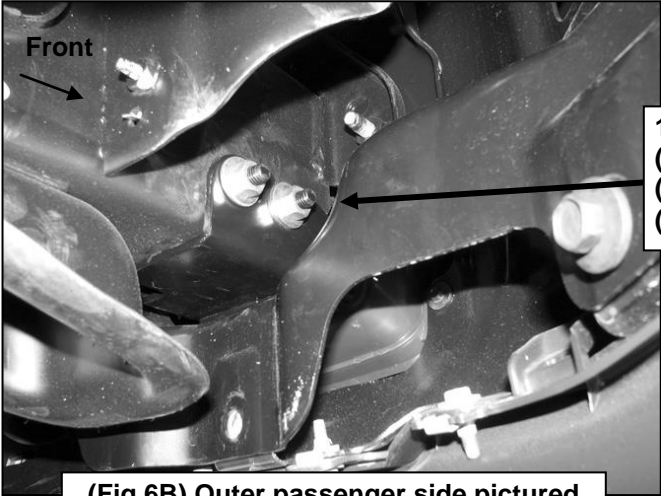
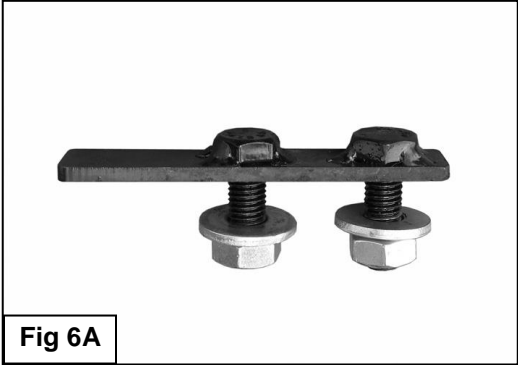
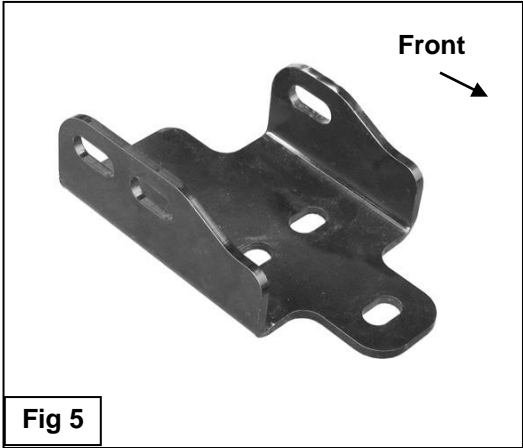


**(Fig 3) "No tow hook" model  
pictured cut out for reference only**

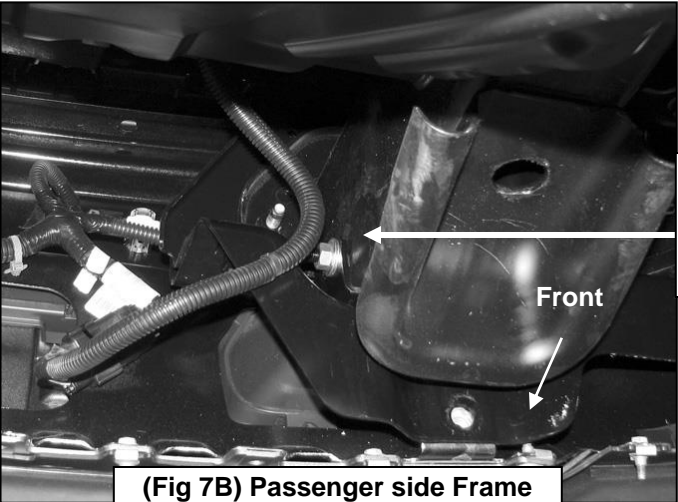
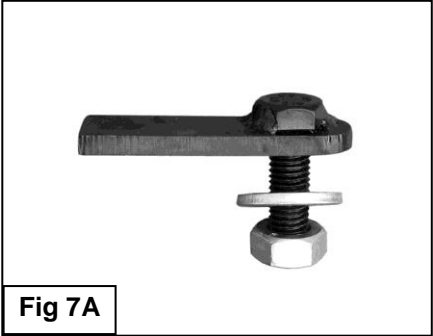


**(Fig 4) Driver side pictured without plastic  
panel for instruction purposes only**

**EXTREME GRILLE GUARD  
2014 GMC SIERRA 1500  
EXCLUDES DENALI**

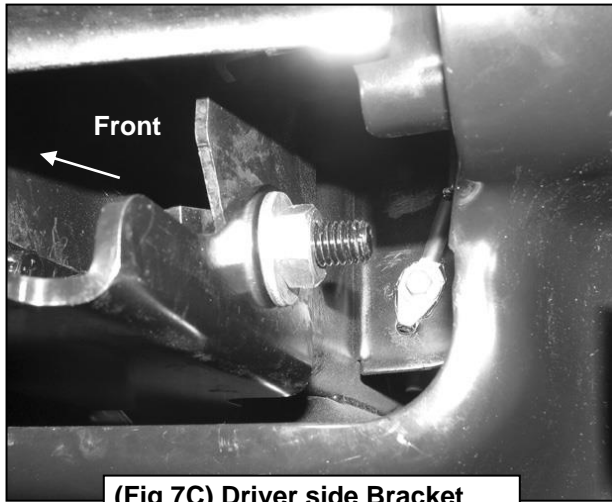


**12mm Double Bolt Plate  
(2) 12mm Flat Washers  
(2) 12mm Lock Washers  
(2) 12mm Hex Nuts**

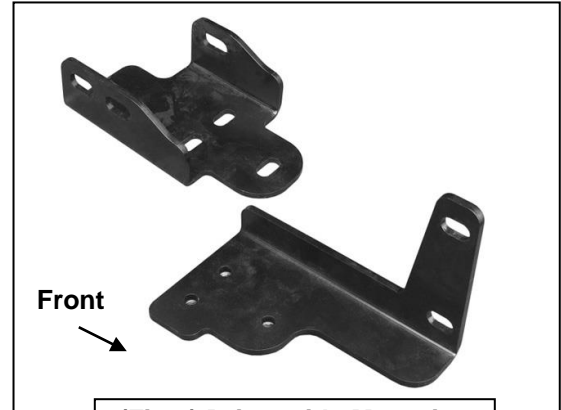


**12mm Bolt Plate  
12mm Flat Washer  
12mm Lock Washer  
12mm Hex Nut**

**EXTREME GRILLE GUARD  
2014 GMC SIERRA 1500  
EXCLUDES DENALI**

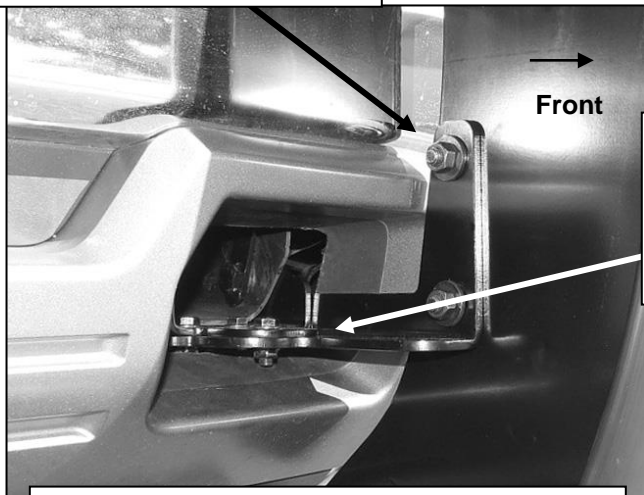


**(Fig 7C) Driver side Bracket  
installation pictured from front**



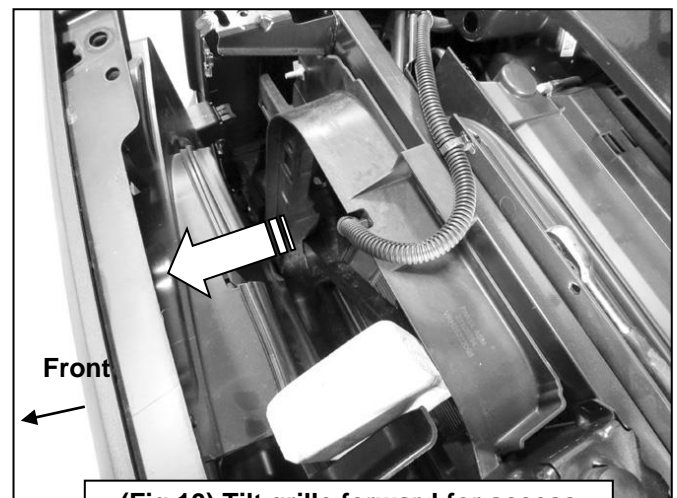
**(Fig 8) Driver side Mounting  
Brackets pictured**

- (2) 10mm x 30mm Hex Bolts**
- (4) 10mm Flat Washers**
- (2) 10mm Lock Washers**
- (2) 10mm Hex Nuts**



**(Fig 9) Driver side pictured with Grille Guard**

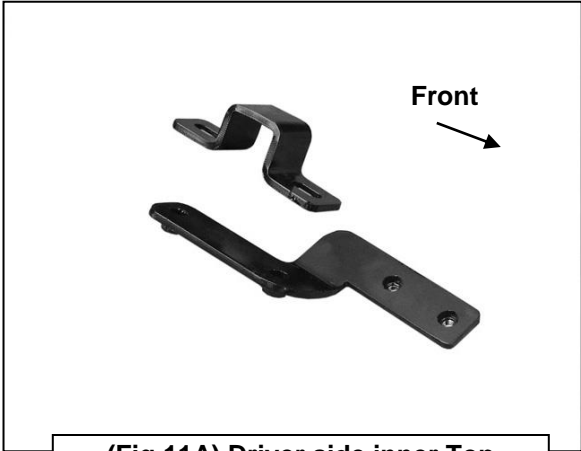
**Bolt the Mounting  
Bracket to the bottom of  
the Frame Bracket with:  
(3) 8mm 25mm Hex Bolts  
(3) 8mm Lock Washers  
(3) 8mm Flat Washers**



**(Fig 10) Tilt grille forward for access**

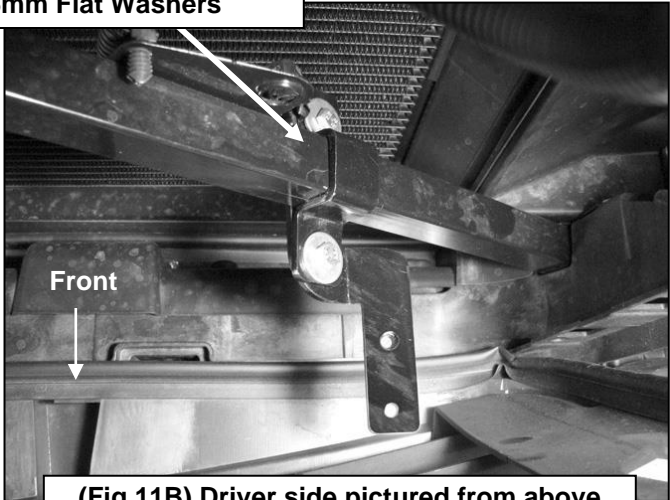
**EXTREME GRILLE GUARD  
2014 GMC SIERRA 1500  
EXCLUDES DENALI**

**Driver Side Installation Pictured**

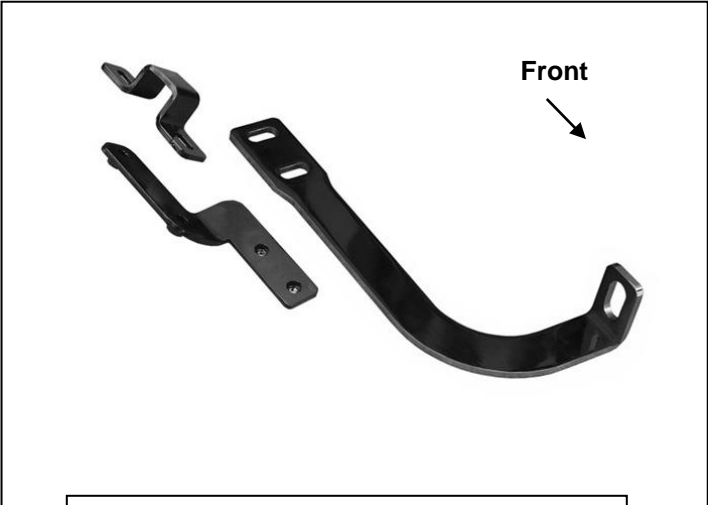


**(Fig 11A) Driver side inner Top Bracket and Backing Plate pictured**

**Bolt the Top Inner Bracket to the Backing Plate with:  
(2) 6mm x 25mm Hex Bolts  
(2) 6mm Lock Washers  
(2) 6mm Flat Washers**

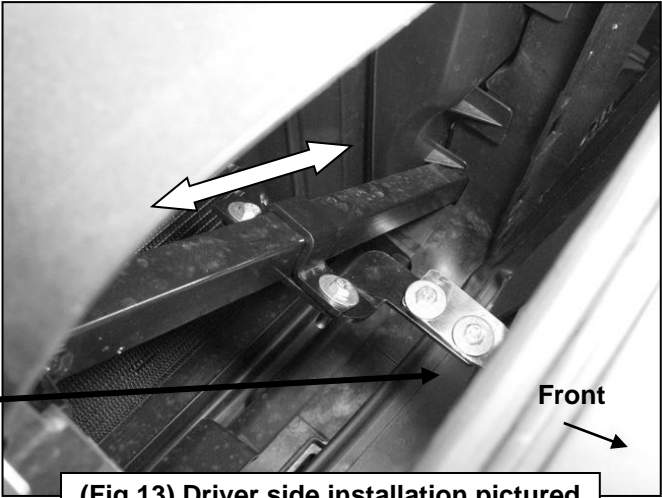


**(Fig 11B) Driver side pictured from above**



**(Fig 12) Driver side Top Brackets pictured**

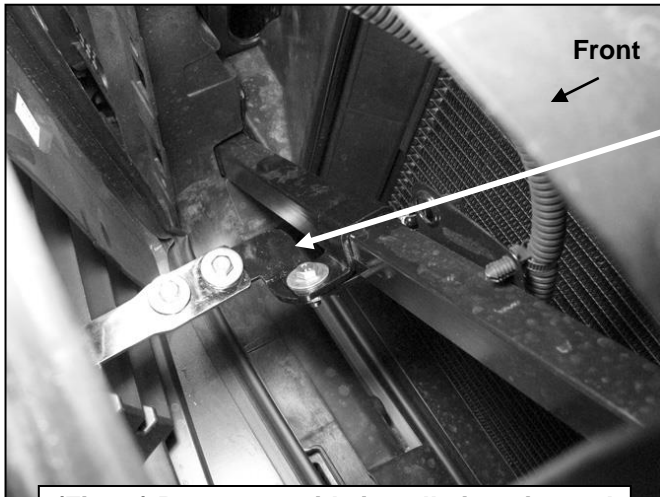
**Driver side Top Bracket installation pictured. Adjust position up or down the square tubing so that Bracket cannot come in contact with plastic grille**



**(Fig 13) Driver side installation pictured**

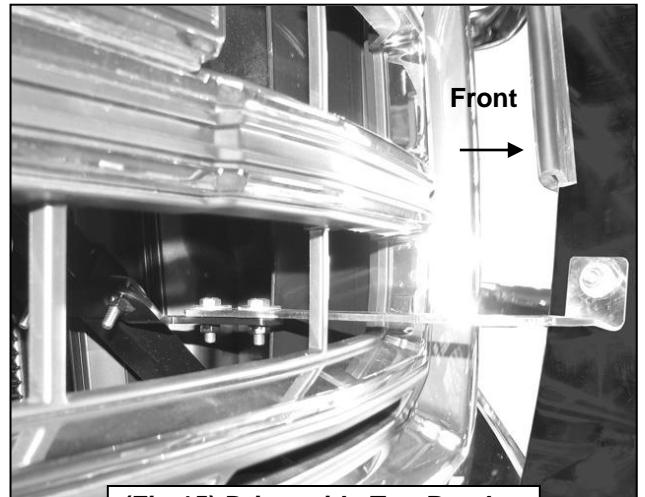


**EXTREME GRILLE GUARD  
2014 GMC SIERRA 1500  
EXCLUDES DENALI**

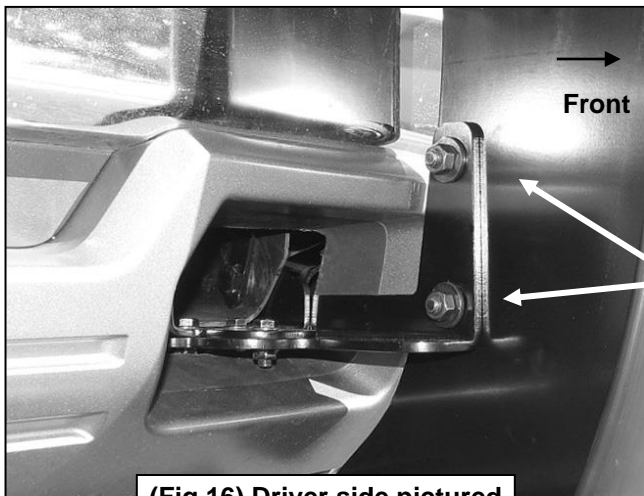


**(Fig 14) Passenger side installation pictured**

**Bolt the Top Outer Bracket to the Inner Bracket with:**  
**(2) 6mm x 25mm Hex Bolts**  
**(2) 6mm Lock Washers**  
**(2) 6mm Flat Washers**



**(Fig 15) Driver side Top Bracket installation pictured**



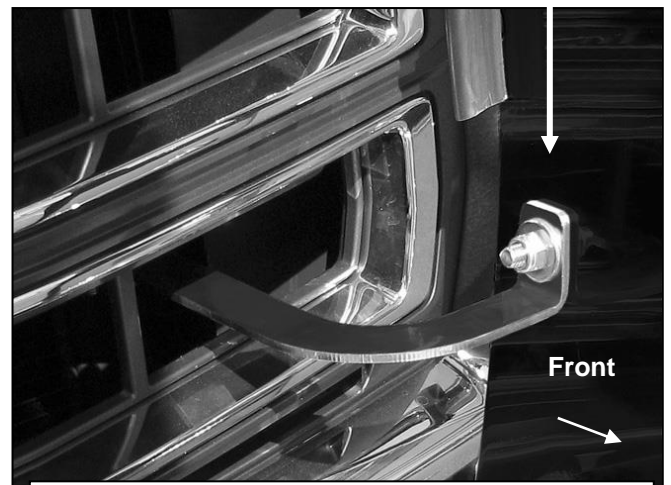
**(Fig 16) Driver side pictured**

**(2) 10mm x 30mm Hex Bolts**  
**(4) 10mm Flat Washers**  
**(2) 10mm Lock Washers**  
**(2) 10mm Hex Nuts**

**(1) 8mm Button Head Bolt**  
**(2) 8mm Flat Washers**  
**(1) 8mm Nylon Lock Nut**



**Complete Installation**



**(Fig 17) Driver side outer Top Bracket pictured**