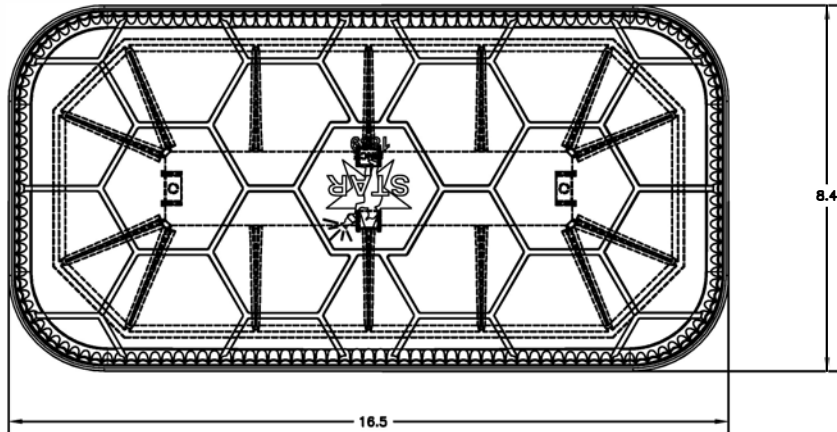
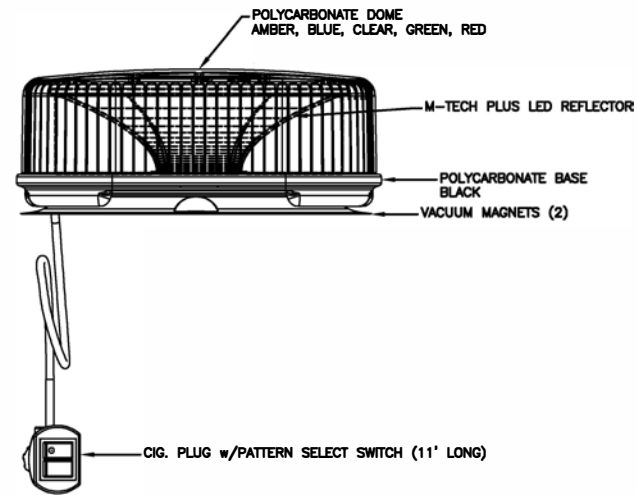
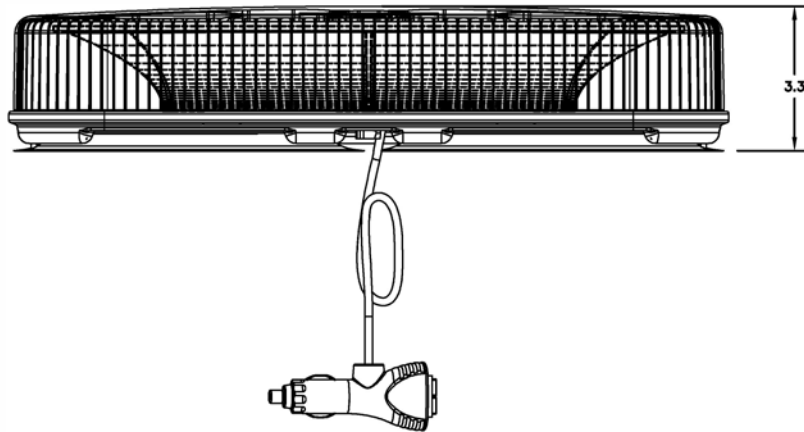


REV.	ECR	DESCRIPTION	DATE
-	11527	INITIAL DRAWING REQUEST	11/07/2013
A	12253	ADDED NEW TABLE TO INCLUDE NEWER MODELS	10/15/2014



MODEL #	VACUUM MAGNET	CIG PLUG	CLEAR DOME	COLOR DOME	APPROVAL	INPUT VOLTAGE RANGE	CURRENT DRAW (A)
9100LEDV-A	X	X		X	SAE J845 CLASS 1	10-16VDC	2.3A
9100LEDV-AA-C	X	X	X		SAE J845 CLASS 1	10-16VDC	2.3A
9100LEDV-AB	X	X		X	SAE J845 CLASS 1	10-16VDC	2.3A
9100LEDV-AW	X	X	X		SAE J845 CLASS 1	10-16VDC	2.3A
9100LEDV-B	X	X		X	SAE J845 CLASS 1	10-16VDC	2.3A
9100LEDV-G	X	X		X	N/A	10-16VDC	2.3A
9100LEDV-R	X	X		X	SAE J845 CLASS 2	10-16VDC	2.3A
9100LEDV-RB	X	X	X		SAE J845 CLASS 2	10-16VDC	2.3A
9100LEDV-T13-A	X	X		X	SAE J845 CLASS 1, CA13	10-16VDC	2.3A
9100LEDV-W	X	X	X		SAE J845 CLASS 1	10-16VDC	2.3A
E9100LEDV-ECE-A	X	X		X	SAE J845 CLASS 1, CA13, REG 65 TA1	9-16VDC	2.3A
E9100LEDV-ECE-R	X	X		X	SAE J845 CLASS 1, CA13, REG 65 TR1	9-16VDC	2.3A



**NOTES:**

- 1) INSTRUCTION SHEET P/N PLIT470
- 2) OPERATING TEMPERTURE RANGE: -30°C TO 50°C
- 3) 20 FLASH PATTERNS

UNLESS OTHERWISE SPECIFIED: DIMENSIONS ARE IN INCHES Drill Tolerances ± 0.003  Artwork and board size TOLERANCES: ANGULAR: ± 2 DEG. .X ± .100 .XX ± .020 .XXX ± .005 .XXXX ± .001	DRAWN BY: TA	<b>STAR HEADLIGHT &amp; LANTERN CO., INC.</b>	
	DRAWING APPROVED BY ECR		
RoHS COMPLIANT: NO	THE INFORMATION CONTAINED IN THIS DRAWING IS THE SOLE PROPERTY OF STAR HEADLIGHT & LANTERN CO., INC.. ANY REPRODUCTION IN PART OR AS A WHOLE WITHOUT THE WRITTEN PERMISSION OF STAR HEADLIGHT & LANTERN CO., INC. IS STRICTLY PROHIBITED.	MODEL: 9100LEDV-**	
MATERIAL: N/A		TITLE: MODEL DRAWING	
FINISH: N/A		DWG. NO. 9100LEDV	REV A
		SCALE: 1:1	DO NOT SCALE FROM DRAWING SHEET 1 OF 1