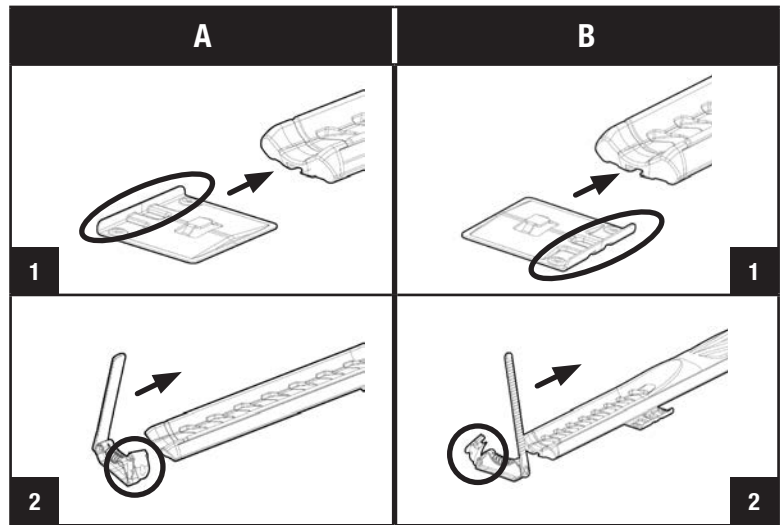
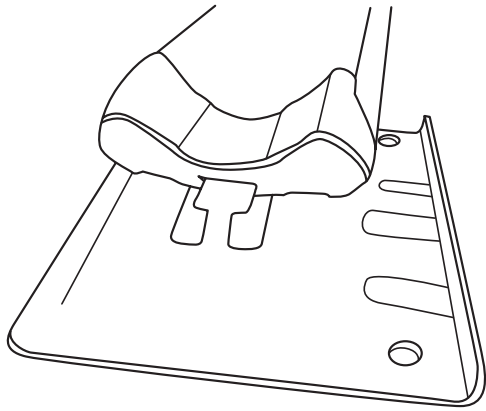


EN

WARNINGS / LIMITATIONS:

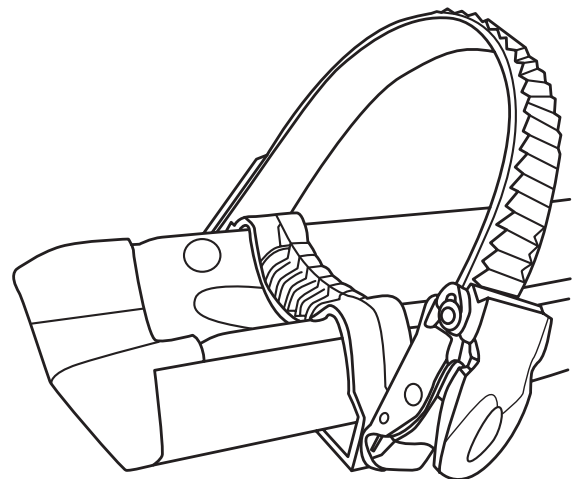
- Bike must come equipped with a quick release front skewer.
- Measure the dimensions of your bike's fork dropouts. This carrier is not compatible with fork dropouts less than 4mm or greater than 10mm thick. Dropouts must be 100mm apart.
- Not all bike forks are compatible with the SR4624. If your fork has a unique feature or design that prevents your using the carrier in accordance with these instructions, do not use the carrier. An upright carrier should be used.
- Due to their wind resistance, it is not recommended to carry disk wheels or wheels with covers on Thule bike or wheel carriers.
- This carrier is limited to bikes weighing no more than 37.5lbs (17kg). You may not mount more than two (2) Downshift Plus (SR4624) to your vehicle's factory rack. Always check your owner's manual to determine the weight limit of your vehicle's factory rack.
- Failure to properly install, adjust, use, and maintain the quick release mechanism on this carrier may result in damage to the vehicle and bike as well as serious personal injury.
- Any modification to bike dropouts can cause insufficient fork mount clamping pressure and may result in damage or loss of bike.
- Bicycle fork must be equipped with safety tabs. Removal or alteration of safety tabs will void warranty when used with this carrier.
- PATENT PENDING

1**EN**

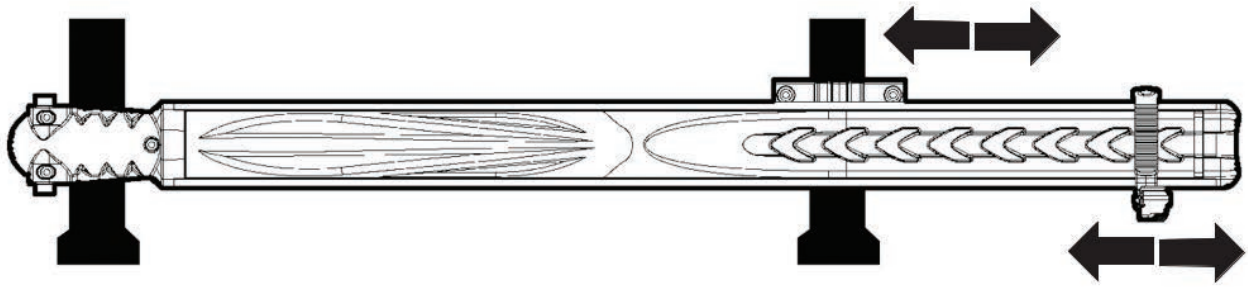
- Slide the raised tab on the rear mounting plate into the bottom slot of the tray. The two mounting plate bolt holes should be on the opposite side of the tray from the side of the car you'll be loading the bike from and from the wheel strap buckle as shown.

2**EN**

- The wheel strap buckle should face the side of the car that you load the bike from.
- Slide the wheel strap onto the end of the tray pushing it over the raised circular dimple in the end of the tray.



3



EN

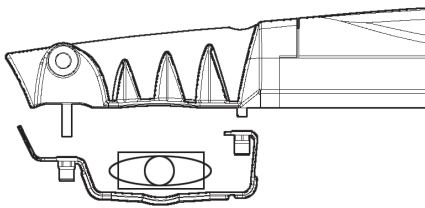
- Place the tray on the vehicle lining up the head and rear mounting plate so they rest on a load bar.
- You may slide the rear mounting plate to fit the load bar and slide the wheel strap to fit the bike.

EN

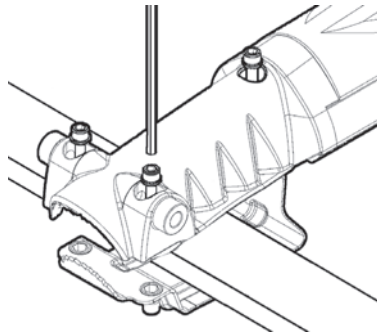
- Please refer to the fit guide at the back of these instructions to determine if your vehicle requires the short or long hex head bolts for fitting the carrier to your vehicle's factory rack.

4

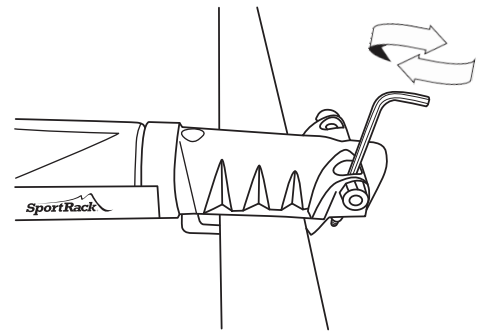
A



B

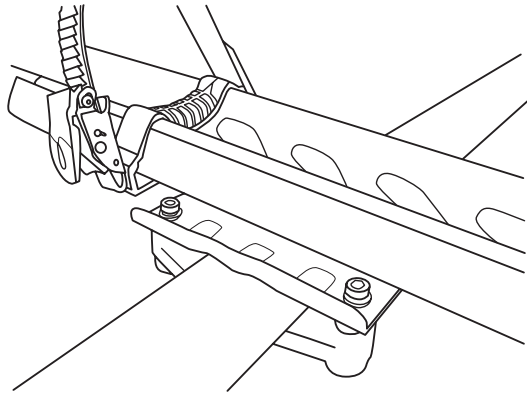
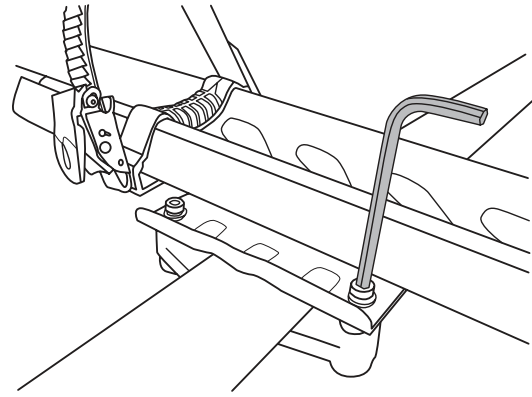


C

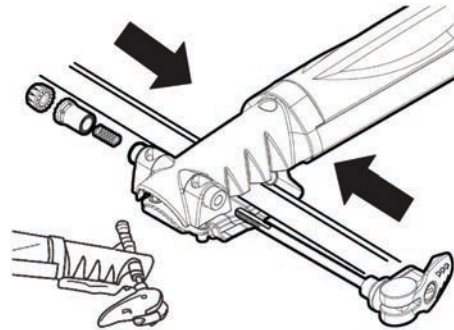
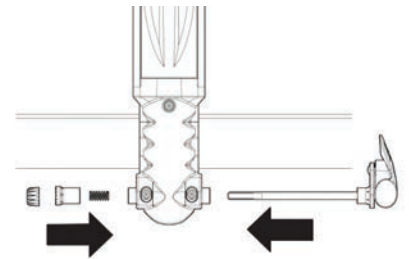


EN

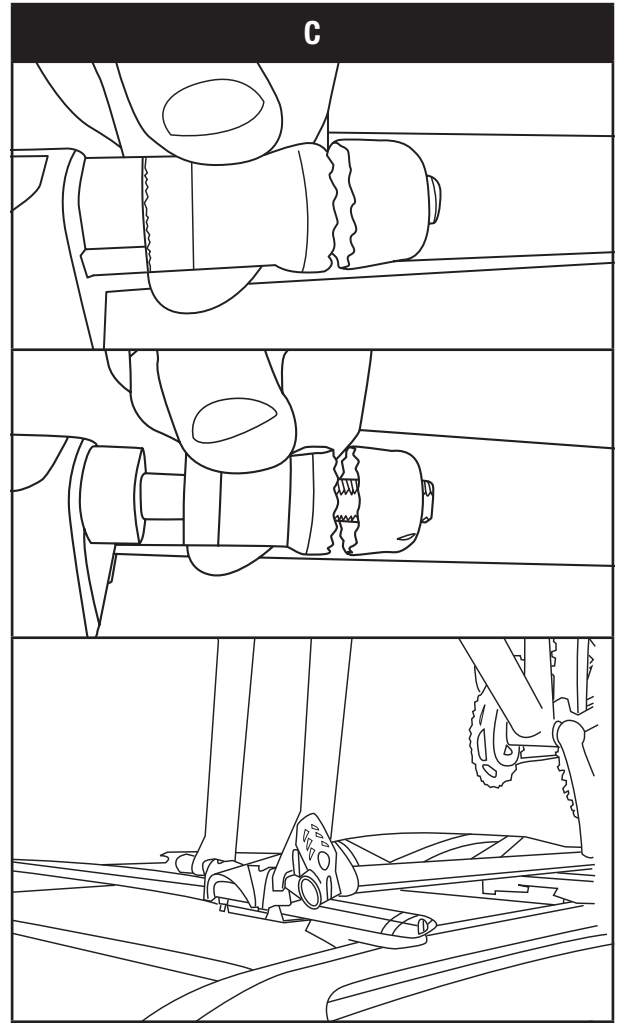
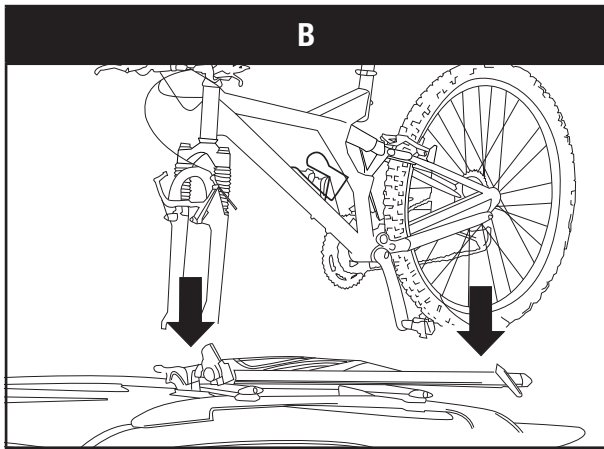
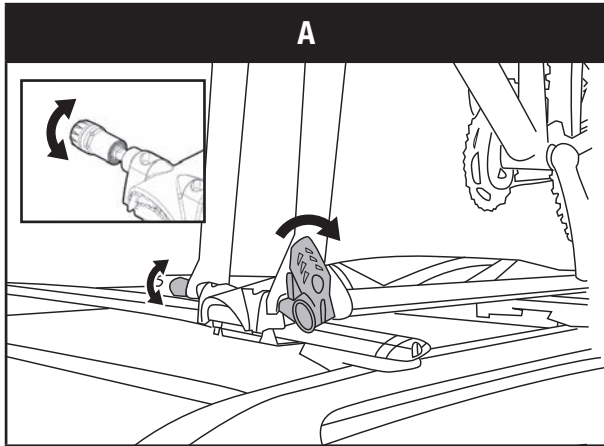
- Slide front mounting plate under load bar (square, oval or round).
- Place three washers on three bolts and drop bolts into holes in top of fork mount head.
- Attach bolts to mounting plate using hex wrench.

5**B****EN**

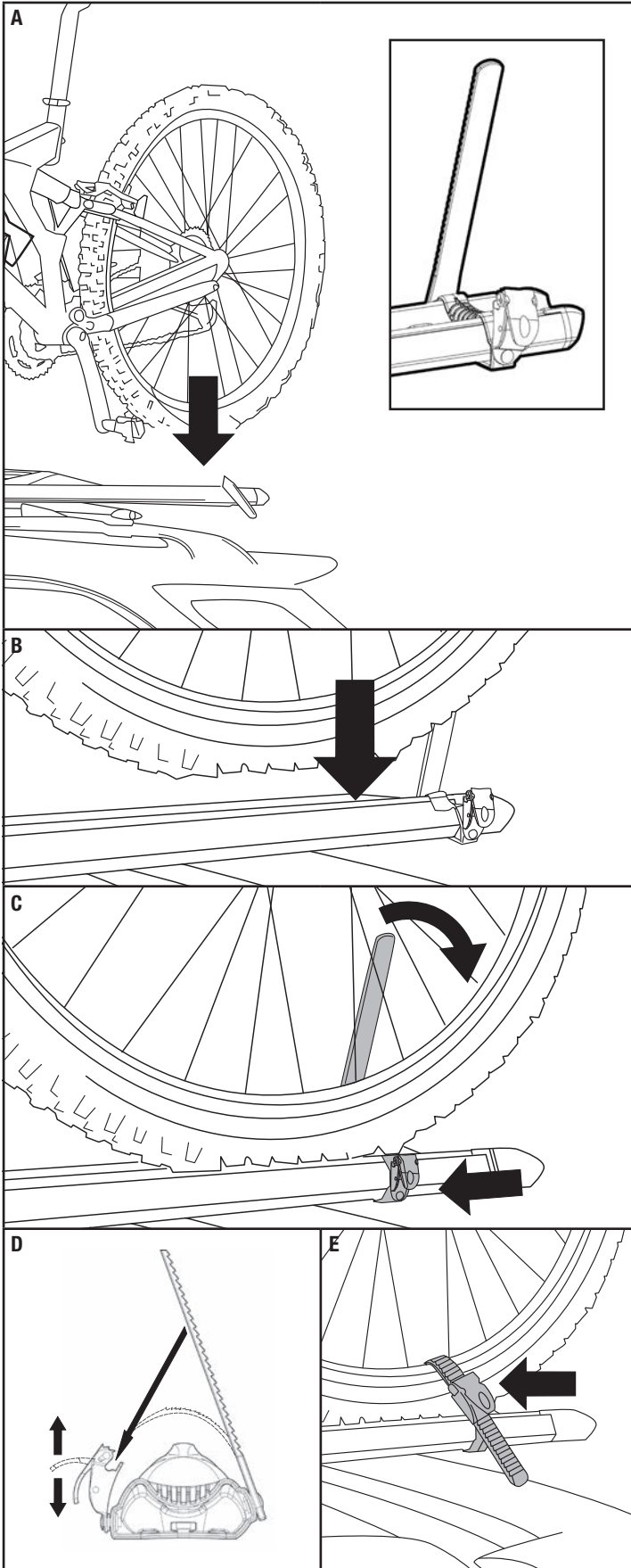
- Slide rear mounting under bracket under the load bar (square, oval or round) and attach to the rear mounting plate with bolts and washers like in prior step.

6**A****B****C****EN**

- Unscrew the ratcheting nut and nut body off end of skewer as shown.
- Slide skewer rod through channel in fork mount head.
- Lever should face the side of vehicle that bike is loaded from.
- Re-attach skewer ratcheting nut and body.
- The skewer rod and ratcheting nut have a rectangular slot that must be aligned.

**EN**

- Before loading bike, open skewer lever and unscrew ratcheting nut to the end of the skewer rod.
- Remove front wheel from bike and place bike fork drop-outs onto skewer straight down on either side of fork mount head as shown.
- Fork should NOT be loaded at an angle.
- With skewer lever open, tighten ratcheting nut until lever closes with some resistance.
- Tug upwards on fork to test security.
- Do not over-tighten.

**EN**

- Set back wheel in tray up against wheel strap chock support.
- Pull wheel strap through spokes and slide into ratcheting buckle as far as possible.
- Pull up and down on buckle a few times to secure tightly.



2012 ACCESSORY TO FACTORY RACK FIT GUIDE

Downshift Plus™ SR4624

| LOAD BARS | RECOMMENDED BOLT SIZE | |
|-----------|-----------------------|------|
| | SHORT | LONG |

THULE

| | | |
|----------------------|---|---|
| AEROBLADE (ARB) BARS | | ✓ |
| RAPID AERO (RB) BARS | ✓ | |
| STEEL (LB) BARS | ✓ | |
| 422 XSPORTER BARS | ✓ | |
| PRO BARS | | ✓ |

INNO

| | | |
|----------|---|--|
| LOAD BAR | ✓ | |
|----------|---|--|

SPORTRACK

| | | |
|----------|---|--|
| LOAD BAR | ✓ | |
|----------|---|--|

YAKIMA

| | | |
|-----------|---|---|
| ROUND BAR | ✓ | |
| WHISPBAR | | ✓ |

| VEHICLE MAKE, MODEL, AND YEAR | RECOMMENDED BOLT SIZE | |
|-------------------------------|-----------------------|------|
| | SHORT | LONG |

ACURA

| | | | |
|-----------------|--------|---|--|
| MDX | '07-12 | ✓ | |
| RDX | '07-12 | ✓ | |
| TSX Sport Wagon | '12 | ✓ | |
| ZDX | '10-12 | ✓ | |

AUDI

| | | | |
|------------------|--------|---|--|
| A4 (Avant) Wagon | '02-12 | ✓ | |
| A6 Wagon | '06-11 | ✓ | |
| Q5 | '09-12 | ✓ | |
| Q7 | '07-12 | ✓ | |
| S4 Wagon | '01-08 | ✓ | |

BUICK

| | | | |
|------------|--------|---|--|
| Enclave | '08-12 | ✓ | |
| Ranier | '04-07 | ✓ | |
| Rendezvous | '02-07 | ✓ | |

CADILLAC

| | | | |
|-----------------------------|--------|---|--|
| CTS Sport Wagon 5DR | '10-12 | ✓ | |
| Escalade / Escalade ESV | '99-12 | ✓ | |
| Escalade EXT Pickup | '02-12 | ✓ | |
| SRX (Except "Sport Models") | '04-12 | ✓ | |

CHEVROLET

| | | | |
|-------------------------------|--------|---|--|
| Astro Van (Cargo & Passenger) | '94-05 | ✓ | |
| Avalanche | '02-12 | ✓ | |
| Blazer | '95-05 | ✓ | |
| Equinox | '05-12 | ✓ | |
| HHR | '06-11 | ✓ | |
| Suburban / Suburban Z71 | '92-12 | ✓ | |
| Tahoe / Tahoe Z71 | '95-12 | ✓ | |
| Tracker | '02-04 | ✓ | |
| Traverse | '09-12 | ✓ | |
| Venture | '97-04 | ✓ | |

| VEHICLE MAKE, MODEL, AND YEAR | RECOMMENDED BOLT SIZE | |
|-------------------------------|-----------------------|------|
| | SHORT | LONG |

CHRYSLER

| | | | |
|-------------------------|--------|---|--|
| Pacifica | '04-08 | ✓ | |
| PT Cruiser | '01-10 | ✓ | |
| Town & Country | '96-12 | ✓ | |
| Voyager / Grand Voyager | '01-03 | ✓ | |

DODGE

| | | | |
|-------------------------|--------|---|--|
| Caliber / SRT4 | '07-12 | ✓ | |
| Caravan / Grand Caravan | '96-12 | ✓ | |
| Durango / Durango Sport | '98-12 | ✓ | |
| Journey | '08-12 | ✓ | |
| Nitro | '07-11 | ✓ | |

FORD

| | | | |
|----------------------------|--------|---|--|
| Edge / Edge Sport | '07-12 | ✓ | |
| Escape | '01-12 | ✓ | |
| Expedition / Expedition EL | '97-12 | ✓ | |
| Explorer | '91-12 | ✓ | |
| Explorer Sport | '01-03 | ✓ | |
| Explorer Sport Trac | '01-10 | ✓ | |
| Flex | '08-12 | ✓ | |
| Freestar | '04-07 | ✓ | |
| Taurus Wagon | '96-06 | ✓ | |
| Windstar | '98-03 | ✓ | |

GMC

| | | | |
|--------------------------------|--------|---|--|
| Acadia | '07-12 | ✓ | |
| Denali | '98-04 | ✓ | |
| Denali XL | '00-04 | ✓ | |
| Envoy | '98-01 | ✓ | |
| Jimmy | '95-01 | ✓ | |
| Safari Van (Cargo & Passenger) | '90-05 | ✓ | |
| Suburban | '92-99 | ✓ | |
| Terrain | '10-12 | ✓ | |
| Terrain Denali | '12 | ✓ | |
| Yukon / Yukon XL | '92-12 | ✓ | |
| Yukon Denali / Yukon Denali XL | '07-12 | ✓ | |

HONDA

| | | | |
|-----------------------------|--------|---|--|
| Crosstour | '10-12 | ✓ | |
| CR-V | '02-11 | ✓ | |
| Element w/ Fixed Points | '03-11 | ✓ | |
| Element SC | '07-11 | ✓ | |
| Odyssey | '01-12 | ✓ | |
| Passport | '98-02 | ✓ | |
| Pilot | '03-12 | ✓ | |
| Ridgeline / Ridgeline Sport | '06-12 | ✓ | |

HUMMER

| | | | |
|-----|--------|---|--|
| H3 | '05-10 | ✓ | |
| H3T | '09-10 | ✓ | |

HYUNDAI

| | | | |
|-----------|--------|---|---|
| Entourage | '07-10 | ✓ | |
| Santa Fe | '01-12 | ✓ | |
| Tucson | '05-12 | | ✓ |



2012 ACCESSORY TO FACTORY RACK FIT GUIDE

Downshift Plus™ SR4624

| VEHICLE MAKE, MODEL, AND YEAR | RECOMMENDED BOLT SIZE | |
|-------------------------------|-----------------------|------|
| | SHORT | LONG |

INFINITI

| | | | |
|-------|--------|---|--|
| EX 35 | '08-12 | ✓ | |
| FX 35 | '03-12 | ✓ | |
| FX 45 | '03-08 | ✓ | |
| FX 50 | '09-12 | ✓ | |
| QX4 | '97-03 | ✓ | |
| QX56 | '04-12 | ✓ | |

ISUZU

| | | | |
|----------|--------|---|--|
| Ascender | '03-10 | ✓ | |
| Rodeo | '98-04 | ✓ | |

JEEP

| | | | |
|--------------------------------|--------|---|--|
| Commander (Standard Crossbars) | '06-10 | ✓ | |
| Compass / Rallye | '07-12 | ✓ | |
| Grand Cherokee | '93-12 | ✓ | |
| Liberty | '02-12 | ✓ | |
| Patriot | '07-12 | ✓ | |

KIA

| | | | |
|----------|--------|---|--|
| Borrego | '09-12 | ✓ | |
| Carens | '07-12 | ✓ | |
| Rondo | '07-12 | ✓ | |
| Sedona | '02-12 | ✓ | |
| Sorento | '03-12 | ✓ | |
| Soul | '10-12 | ✓ | |
| Sportage | '11-12 | ✓ | |

LAND ROVER

| | | | |
|---------------------------------|--------|--|---|
| LR3 | '05-09 | | ✓ |
| LR4 | '10-12 | | ✓ |
| Range Rover / Range Rover Sport | '98-12 | | ✓ |

LEXUS

| | | | |
|----|--------|---|--|
| GX | '03-12 | ✓ | |
| LX | '99-12 | ✓ | |
| RX | '04-12 | ✓ | |

LINCOLN

| | | | |
|-----------|--------|---|--|
| Aviator | '03-05 | ✓ | |
| MKX | '07-12 | ✓ | |
| Navigator | '98-12 | ✓ | |

MAZDA

| | | | |
|-----------------|--------|---|--|
| CX-9 | '07-12 | ✓ | |
| MPV | '00-06 | ✓ | |
| Protégé 5 Wagon | '02-03 | ✓ | |
| Tribute | '01-11 | ✓ | |

MERCURY

| | | | |
|-------------|--------|---|--|
| Mariner | '05-10 | ✓ | |
| Monterey | '04-07 | ✓ | |
| Mountaineer | '96-10 | ✓ | |
| Sable Wagon | '96-05 | ✓ | |
| Villager | '93-02 | ✓ | |

MINI

| | | | |
|---------|--------|---|--|
| Clubman | '08-12 | ✓ | |
|---------|--------|---|--|

| VEHICLE MAKE, MODEL, AND YEAR | RECOMMENDED BOLT SIZE | |
|-------------------------------|-----------------------|------|
| | SHORT | LONG |

MITSUBISHI

| | | | |
|----------|--------|---|--|
| Endeavor | '97-11 | ✓ | |
|----------|--------|---|--|

NISSAN

| | | | |
|-----------------------|--------|---|---|
| Armada | '04-12 | | ✓ |
| Frontier 4DR Crew Cab | '00-12 | ✓ | |
| Murano | '03-12 | ✓ | |
| Pathfinder | '96-12 | | ✓ |
| Quest | '99-13 | ✓ | |
| Rogue | '08-12 | ✓ | |
| Xterra | '00-12 | | ✓ |

OLDSMOBILE

| | | | |
|------------|--------|---|--|
| Bravada | '91-04 | ✓ | |
| Silhouette | '97-04 | ✓ | |

PONTIAC

| | | | |
|-------------|--------|---|--|
| Aztek | '01-05 | ✓ | |
| Montana | '99-05 | ✓ | |
| Torrent | '06-09 | ✓ | |
| Trans Sport | '97-98 | ✓ | |
| Vibe | '03-10 | ✓ | |

PORSCHE

| | | | |
|--------|--------|---|--|
| Cayman | '06-12 | ✓ | |
|--------|--------|---|--|

SATURN

| | | | |
|---------|--------|---|--|
| Outlook | '07-10 | ✓ | |
| Vue | '02-05 | ✓ | |

SUBARU

| | | | |
|---------------------------------|--------|---|--|
| Baja 4DR | '03-07 | ✓ | |
| Forester | '98-12 | ✓ | |
| Impreza / STI / WRX | '02-12 | ✓ | |
| Legacy Wagon | '95-99 | ✓ | |
| Legacy Outback | '96-99 | ✓ | |
| Outback Sport | '02-11 | ✓ | |
| Outback Sport / WRX / STI Wagon | '02-11 | ✓ | |
| Outback Wagon | '00-12 | ✓ | |
| Tribeca | '06-07 | ✓ | |

SUZUKI

| | | | |
|--------------|--------|---|--|
| Grand Vitara | '06-12 | ✓ | |
| XL-7 | '07-09 | ✓ | |

TOYOTA

| | | | |
|---------------------|--------|---|--|
| 4 Runner | '90-12 | ✓ | |
| FJ Cruiser | '07-12 | ✓ | |
| Highlander | '01-12 | ✓ | |
| Land Cruiser | '98-12 | ✓ | |
| Matrix | '03-12 | ✓ | |
| RAV4 | '01-12 | ✓ | |
| Sequoia | '01-12 | ✓ | |
| Sienna | '98-12 | ✓ | |
| Tacoma 4DR Quad Cab | '05-12 | ✓ | |
| Venza | '09-12 | ✓ | |



2012 ACCESSORY TO FACTORY RACK FIT GUIDE

Downshift Plus™ SR4624

| VEHICLE MAKE, MODEL, AND YEAR | RECOMMENDED BOLT SIZE | |
|-------------------------------|-----------------------|------|
| | SHORT | LONG |

VOLKSWAGEN

| Model | Year | Short | Long |
|---------------------|--------|-------|------|
| Golf Wagon (Canada) | '10-12 | ✓ | |
| Jetta SportWagen | '09-12 | ✓ | |
| Routan | '09-12 | ✓ | |
| Tiguan | '08-12 | ✓ | |
| Touareg / Touareg 2 | '04-12 | | ✓ |

VOLVO

| Model | Year | Short | Long |
|--------|--------|-------|------|
| V50 | '05-11 | ✓ | |
| V70 | '98-10 | ✓ | |
| V70 XC | '98-10 | ✓ | |
| XC60 | '09-12 | ✓ | |
| XC70 | '01-12 | ✓ | |
| XC90 | '03-12 | ✓ | |