

SPICER®



J3351-2-DAG

February 2017

Wing® Series Driveshaft Catalog and Builder Guide



This catalog and builder guide provides necessary details for the most common Spicer wing-style driveshafts and parts. Additional applications are available upon request.



Product pictured is intended to be a representation of product category.

**OFF-HIGHWAY TOUGH.
ENGINEERED FOR INNOVATION.**



SPICER®



Spicer Wing® Series or C-Positive Type Driveshafts

Spicer Wing Series driveshafts main feature is that torque transfer occurs through mechanical drive by means of keys placed on bearing blocks. These keys are mated to corresponding slots machined on to the connecting fitting yokes.

This feature offers advantages for all applications characterized by continuous load variations or shock loads.

The main benefit of having bearing blocks directly connected to output flanges are:

- **Extremely high flexibility of use**
- **Fitting for all applications with short application lengths**
- **Smaller joints working angles**
- **Quicker dismantling of the whole shaft (4 bolts to each side)**
- **U-joint kits can be disassembled and replaced without dismantling the whole shaft, making field maintenance easier**

This type of driveshaft is already an established leader. A series of end fittings are available to facilitate its utilization.



| | |
|--|----|
| How to use this Catalog | 2 |
| Wing in a Box Kit Part Listing | 6 |
| Bill of Material Guide by Style | |
| Spicer Wing® Series Driveshafts – Dust Cap Style | 8 |
| Spicer Wing® Series Driveshafts – Cover Tube Style | 10 |
| Spicer Wing® Series Driveshafts – Flanged..... | 12 |
| Spicer Wing® Series Short Couple – Style 1..... | 14 |
| Spicer Wing® Series Short Couple – Style 2..... | 16 |
| Spicer Wing® Series Short Couple – Style 3..... | 18 |
| Spicer Wing® Series Short Couple – Style 4..... | 20 |
| Spicer Wing® Series Double Joint – Plate Style..... | 22 |
| Spicer Wing® Series Double Joint – Tubular Style | 24 |
| Spicer Wing® Series Double Joint – With End Yoke | 26 |
| Spicer Wing® Series Coupling Shafts | 28 |
| Spicer Wing® Series U-Joint Kit Cross Reference | 30 |
| OEM to Spicer Base PN Interchange..... | 34 |

How To Use This Spicer Wing® Series Build Guide

PURPOSE: The purpose of this catalog is to provide you with a means of replacing any wing style driveshaft that is currently used in an existing application, no matter who the original manufacturer was, and with a new Spicer Wing® Series (formerly Italcardano) driveshaft that you assemble.

A “key” point to remember is:

ANY SPICER WING® SERIES SHAFT CAN REPLACE ANY OTHER WING STYLE SHAFT AS LONG AS YOU USE THE SAME SERIES, WITH THE SAME, OR MORE, SLIP AND THE SAME, OR LARGER O.D. TUBE (assuming clearance) THAT HAS THE SAME, OR LARGER, WALL THICKNESS.

CAUTION: THIS CATALOG IS NOT INTENDED FOR NEW APPLICATIONS OR ENGINEERING USE.



WARNING: ROTATING DRIVESHAFTS

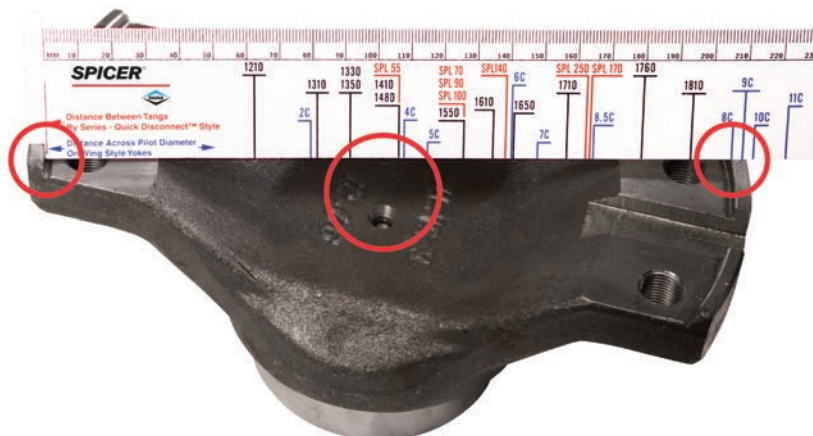
- Rotating auxiliary driveshafts are dangerous. You can snag clothes, skin, hair, hands, etc. This can cause serious injury or death.
- Do not go under the vehicle when the engine is running.
- Do not work on or near an exposed shaft when engine is running.
- Shut off engine before working on power take-off or driven equipment.
- Exposed rotating driveshafts must be guarded.

The catalog is organized by type/style of driveshaft and a complete bill of material is included for each of these listings.

PROCEDURE:

IF YOU HAVE THE SHAFT, OR ARE LOOKING AT, OR MEASURING THE SHAFT WHILE IN ITS MACHINE:

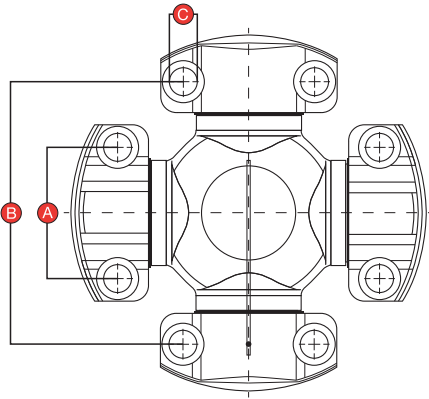
1. Look for a sticker on the shaft. If it is an Italcardano, or Spicer shaft, it should show the Italcardano part number and the customer number, along with the manufacturing facility (likely Italy, or Sterling, IL). The bill of material will be there.
2. If the shaft does not have a sticker and part number, you can't determine the “Spicer Base” part number, or you could not locate the “Spicer Base” part number in the illustrated parts list, determine the following:
 - a. The type of shaft it is, tubular, short couple, etc.
 - b. The installed length (the length from u-joint kit mounting face to u-joint kit mounting face, at mid-slip).
 - c. The amount of slip in the shaft. (overall length extended minus overall length collapsed), and...
 - d. The tube outside diameter and wall thickness, then...
 - e. Determine the type of u-joint kit you want in your shaft, Spicer offers re-lube and service free kits for many series.
 - f. To determine the u-joint series, you can measure the yokes using the Spicer® u-joint measurement ruler (3310-11). The most recent ruler has the same 10 Series and SPL Series call-outs you're used to but is now longer and wider, and includes markings that allow you to quickly measure the pilot diameter of Spicer Wing® Series (formerly Italcardano) u-joints from size 2C to 15C.



How To Use This Spicer Wing® Series Build Guide

- g. You may also determine the u-joint series by referring to the dimensional listing in the following Wing Series Identification Chart

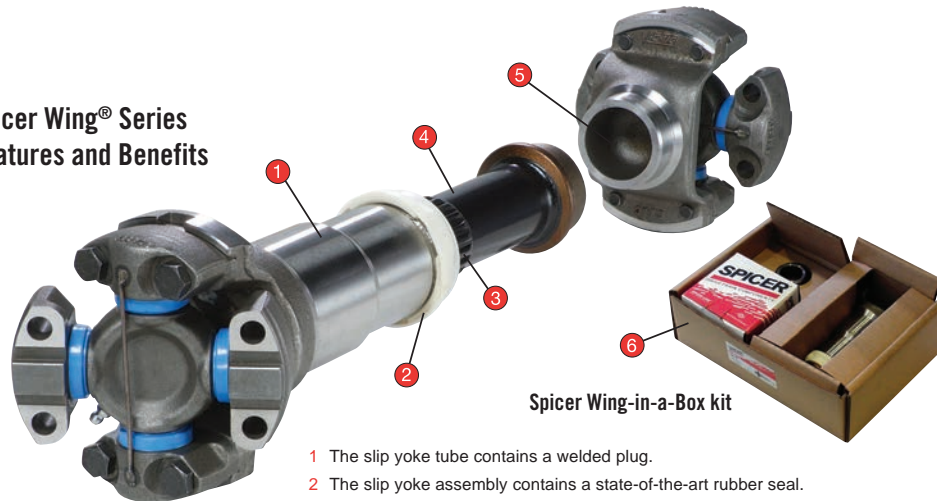
Wing® Series Identification



| Series | A | B | C |
|--------|----------------------|-----------------------|--------------------|
| 4C | 36.52mm (1.44 in.) | 87.32mm (3.44 in.) | 8.75mm (0.34 in.) |
| 5C | 42.90mm (1.69 in.) | 88.90mm (3.50 in.) | 10.50mm (0.41 in.) |
| 6C | 42.90mm (1.69 in.) | 114.30mm (4.50 in.) | 10.50mm (0.41 in.) |
| 7C | 49.20mm (1.94 in.) | 117.48mm (4.63 in.) | 13.50mm (0.53 in.) |
| 8C | 49.20mm (1.94 in.) | 174.60mm (6.87 in.) | 13.50mm (0.53 in.) |
| 8.5C | 71.44mm (2.81 in.) | 123.83mm (4.88 in.) | 13.50mm (0.53 in.) |
| 9C | 71.44mm (2.81 in.) | 168.25mm (6.62 in.) | 13.50mm (0.53 in.) |
| 10C | 92.10mm (3.63 in.) | 165.10mm (6.50 in.) | 17.00mm (0.67 in.) |
| 11C | 88.90mm (3.50 in.) | 172.70mm (6.80 in.) | 20.00mm (0.79 in.) |
| 12C | 92.10mm (3.63 in.) | 241.35mm (9.50 in.) | 15.00mm (0.59 in.) |
| 12.5C | 92.00mm (3.62 in.) | 227.00mm (10.63 in.) | 19.00mm (0.75 in.) |
| 14C | 134.88mm (5.31 in.) | 270.00mm (10.63 in.) | 19.00mm (0.75 in.) |
| 14.5C | 107.00mm (4.21 in.) | 252.00mm (9.92 in.) | 24.00mm (0.94 in.) |
| 15C | 100.00mm (3.938 in.) | 273.00mm (10.748 in.) | 21.00mm (.827 in.) |

- h. Go to the appropriate page in the section for the type of shaft you need and determine a bill of material.
- i. If your shaft contains tubing, determine your needed tube length for the type of shaft you have selected. In general, the tube length should be calculated by using the installed length, minus ½ the slip, minus the “T” dimension shown on the chart for the shaft you select. The “T” dimension is the total length of the compressed driveshaft less the tubing length.
- j. If your shaft is a short couple shaft, pick a bill of material that will allow you to install your new shaft into the application at, or near, mid-slip (“A” length plus ½ the slip).
- k. Most of these wing styles driveshafts use a slip assembly (matched slip units) and include the dust cap, seal, and relief valve where applicable. For the few that a slip assembly is not offered, the slip yoke assembly and tube shaft will need to be ordered individually as well as the dust cap, seal, and relief valve which are not included with the slip yoke assemblies.
- l. If applicable, a “Wing in A Box” (WIAB), driveshaft kit less tubing is also included in the bill of material listing with the OEM version for the particular “base” number noted as such.

Spicer Wing® Series Features and Benefits



- 1 The slip yoke tube contains a welded plug.
- 2 The slip yoke assembly contains a state-of-the-art rubber seal.
- 3 The Spicer wing series shaft is manufactured with an involute spline, resulting in a larger surface area, better torque transfer, reduction of broken back instances, and reduced NVH.
- 4 The involute spline shaft has an anti-friction coating.
- 5 The bottom tube yoke is solid, preventing contamination from entering the driveshaft tubing.
- 6 Wing-in-a-Box kit, which includes two (2) u-joints, one (1) slip joint assembly, one (1) tube yoke, and eight (8) bolts.

How To Use This Spicer Wing® Series Build Guide

The following charts show the Spicer Wing torque by series, the Spicer Wing® Series u-joint kits and their popular applications, and the Spicer Wing® Series u-joint kit smart part numbering explanation.

| Series | Forging No. | Tcs (Nm) | Tcs (lb. ft.) |
|--------|-------------|----------|---------------|
| 4C | 108M40 | 3280 | 2419 |
| 5C | 115M50 | 5650 | 4167 |
| 6C | 140M60 | 7230 | 5332 |
| 7C | 148M70 | 10700 | 7891 |
| 8C | 206M80 | 15500 | 11432 |
| 8.5C | 165M85 | 20300 | 14972 |
| 9C | 209M90 | 27400 | 20209 |
| 10C | 213M100 | 39700 | 29281 |
| 11C | 222M110 | 41600 | 30682 |
| 12C | 288M120 | 62200 | 45876 |
| 12.5C | 280M220 | 82800 | 61070 |
| 14C | 339M140V | 120600 | 88950 |
| 14.5C | 310M230 | 108200 | 79804 |
| 15C | 260M150 | 75400 | 55612 |

Tcs - Functional Limit Torque

This represents the maximum torque possible to be transferred through the driveshaft without any lowering in the function of the driveshaft assembly.

For example:

- No yielding in any of the assembly parts.
- No plastic deformation affecting the assembly negatively.
- No plastic deformation on the components of the Unit Pack assembly affecting the durability negatively.



Forging Number Location



Spicer Wing® Series Application Chart

| Series | Application | Service-Free U-Joint | Greasable U-Joint |
|--------|-------------|----------------------|-------------------|
| 4C | | 5-4211X | 5-4111X |
| 5C | | 5-5211X | 5-5111X |
| 6C | | 5-6211X | 5-6111X |
| 7C | | 5-7211X | 5-7111X |
| 8C | | 5-8211X | 5-8111X |
| 8.5C | | 5-85211X | 5-85111X |
| 9C | | 5-9211X | 5-9111X |
| 10C | | 5-10211X | 5-10111X |
| 11C | | 5-11211X | 5-11111X |
| 12C | | 5-12211X | 5-12111X |
| 12.5C | | X | 5-125111X |
| 14C | | 5-14211X | 5-14111X |
| 14.5C | | 5-145211X | 5-145111X |
| 15C | | 5-15211X | 5-15111X |

Legend



Spicer® Wing Series Smart Part Number Explanation

Prefix (Spicer® Standard) = 5-XXXX x

| Series | U-Joint Style | Bearing Block Style | Current Spicer Part # | Supersedes to | Driveshaft Series | Lube Style | Bearing block A style | Bearing block B style | Result |
|--------|---------------|---------------------|-----------------------|---------------|-------------------|------------|-----------------------|-----------------------|----------|
| 7C | R | HWD | 050915000 | → | 7 | 1 | 1 | 1 | 5-7111X |
| 8.5C | R | 2 HWD / 2LWT | 050261000 | | 85 | 1 | 1 | 4 | 5-85114X |

| Series |
|-------------|
| 4C = 4 |
| 5C = 5 |
| 6C = 6 |
| 7C = 7 |
| 8C = 8 |
| 8.5C = 85 |
| 9C = 9 |
| 10C = 10 |
| 11C = 11 |
| 12C = 12 |
| 12.5C = 125 |
| 14C = 14 |
| 14.5C = 145 |
| 15C = 15 |

| Lube Style |
|---------------|
| 1 = Relube |
| 2 = Srv. Free |

| Bearing block style |
|--------------------------------|
| HWD = high wing, drilled hole |
| HWT = high wing, threaded hole |
| LWD = low wing, drilled hole |
| LWT = low wing, threaded hole |
| DW= delta shape wing |
| RND = round |
| BB Style code: |
| HWD = 1 |
| HWT = 2 |
| LWD = 3 |
| LWT = 4 |
| DW = 5 |
| RND = 6 |

Note: Part numbers ending with “M” suffix indicate Metric thread.

Spicer Wing® Series Tubing Chart

| Series | OD | Thickness | Length | Part Number |
|-----------|-------|-----------|--------|-----------------|
| 5C | 2.283 | 0.157 | 1900mm | 820580040-1900M |
| 6C | 2.756 | 0.157 | 1900mm | 820700040-1900M |
| 7C & 8.5C | 3.543 | 0.197 | 1900mm | 065550102-1900M |
| 7C | 3.465 | 0.157 | 1900mm | 820880040-1900M |
| 8.5C | 3.937 | 0.236 | 1900mm | 065580102-1900M |
| 9C | 4.526 | 0.295 | 1900mm | 821150075-1900M |
| 10C | 5.669 | 0.276 | 1900mm | 821440070-1900M |
| 12C | 6.299 | 0.394 | 1900mm | 831600010-1900M |

Each kit below contains (2) u-joint kits, (1) tube yoke, (1) slip assembly and (8) bolts

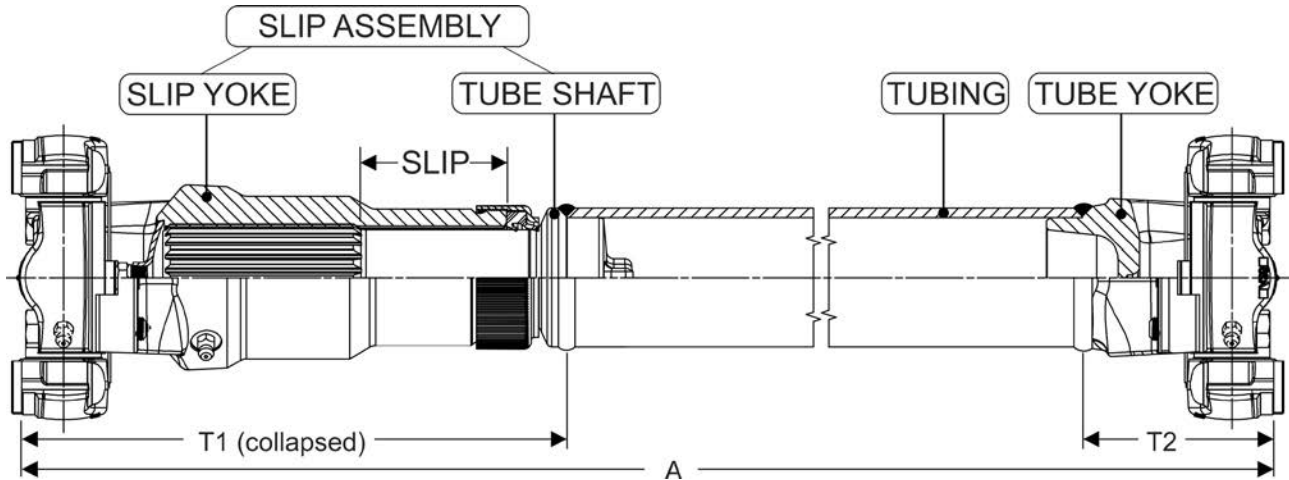
| Series | WIAB PN | Type | Slip [mm] | Slip [in] | “T” Dim (in) (1) | Bolt | Recommended Tube |
|--------|-----------|---------------------|-----------|-----------|---------------------|---------|---------------------|
| 4C | 600001000 | Relube OEM | 50 | 1.968 | 10.138 | English | 820500030-1900M |
| 4C | 600001044 | Service Free OEM | 50 | 1.968 | 10.138 | English | 820500030-1900M |
| 5C | 600001001 | Relube OEM | 60 | 2.362 | 12.106 | English | 820580040-1900M |
| 5C | 600001045 | Service Free OEM | 60 | 2.362 | 12.106 | English | 820580040-1900M |
| 6C | 600001002 | Relube OEM | 60 | 2.362 | 10.020 | English | 820700040-1900M |
| 6C | 600001046 | Service Free OEM | 60 | 2.362 | 10.020 | English | 820700040-1900M |
| 7C | 600001003 | Relube OEM | 130 | 5.118 | 14.878 | English | 065550102-1900M |
| 7C | 600001038 | Service Free OEM | 130 | 5.118 | 14.878 | English | 065550102-1900M |
| 8C | 600001007 | Relube OEM | 130 | 5.118 | 17.590 | English | 065580102-1900M |
| 8C | 600001047 | Service Free OEM | 130 | 5.118 | 17.590 | English | 065580102-1900M |
| 8.5C | 600001004 | Relube OEM | 130 | 5.118 | 17.976 | English | 065580102-1900M |
| 8.5C | 600001048 | Service Free OEM | 130 | 5.118 | 17.976 | English | 065580102-1900M |
| 9C | 600001005 | Relube OEM | 150 | 5.906 | 18.957 | English | 821150075-1900M |
| 9C | 600000999 | Service Free OEM | 150 | 5.906 | 18.957 | English | 821150075-1900M |
| 10C | 600001006 | Relube OEM | 150 | 5.906 | 23.858 | English | 821440070-1900M |
| 10C | 600001049 | Service Free OEM | 150 | 5.906 | 23.858 | English | 821440070-1900M |
| 11C | 600001008 | Relube OEM | 150 | 5.906 | 24.094 | English | 821440070-1900M |
| 11C | 600001050 | Service Free OEM | 150 | 5.906 | 24.094 | English | 821440070-1900M |
| 12C | 600001111 | Relube OEM | 135 | 5.315 | 23.031 | Metric | 831600010-1900M (2) |
| 12.5C | 600001110 | Relube OEM | 135 | 5.315 | 22.886 | Metric | 831600010-1900M (2) |
| 14C | 600001112 | Relube OEM | 130 | 5.118 | 26.220 | Metric | 832190133-1900M (3) |
| 14.5C | 600001113 | Low Maintenance OEM | 135 | 5.315 | 25.433 | Metric | 832190133-1900M (3) |
| 15C | 600001055 | Relube OEM | 130 | 5.118 | 23.012 | Metric | 831600010-1900M (2) |
| 15C | 600001056 | Relube OEM | 130 | 5.118 | 23.012 | English | 831600010-1900M (2) |

(1) “T” Dim is used to determine the tubing length...The “T” Dim is the total length of an Assembled and Collapsed Driveshaft from mounting face to mounting face less the tubing length.

(2) The tube inside diameter should be turned to 5.551” at a depth of .984” then radiused on inside each end before installing the tube fittings into the tube.

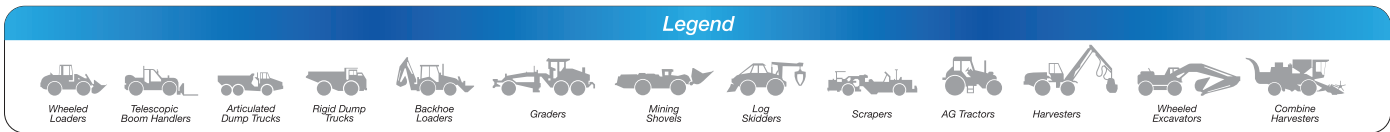
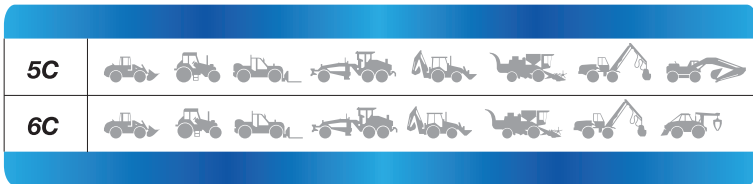
(3) The tube inside diameter should be turned to 7.602” at a depth of .827” then radiused on inside each end before installing the tube fittings into the tube.

SPICER WING® SERIES DRIVESHAFT - DUST CAP STYLE



| SPICER WING SERIES BASE NUMBER | Slip [mm] | Slip [in] | "T" Dim (in) [T1+T2] | Wing In A Box Relube | Wing In A Box Service Free | Service U-Joint Kit | UJ Kit RL or SF | Bolts (Included in UJ Kit) | Bolt Size | UJ Zerk PN | UJ Zerk Type / (Thread) |
|--------------------------------|-----------|-----------|----------------------|----------------------|----------------------------|---------------------|-----------------|----------------------------|----------------|------------|-------------------------|
| 5C SERIES | | | | | | | | | | | |
| 605360084 | 60 | 2.362 | 12.106 | Sold Separately | Sold Separately | 5-5211XM | SF | 815160008 | M10 X 45MM | NA | NA |
| 608790000 | 60 | 2.362 | 12.106 | 600001001 (OEM) | 600001045 | 5-5111X | RL | 815300007 | .375-24 x 1.75 | 052702703 | Straight / M6 X 1 |
| 608790072 | 60 | 2.362 | 12.106 | 600001001 | 600001045 (OEM) | 5-5211X | SF | 815300007 | .375-24 x 1.75 | NA | NA |
| 608790037 | 60 | 2.362 | 12.106 | 600001001 | 600001045 (OEM) | 5-5211X | SF | 815300007 | .375-24 x 1.75 | NA | NA |
| 608790033 | 60 | 2.362 | 12.106 | Sold Separately | Sold Separately | 5-5111X | RL | 815300007 | .375-24 x 1.75 | 052702703 | Straight / M6 X 1 |
| 6C SERIES | | | | | | | | | | | |
| 602380098 | 60 | 2.362 | 12.106 | Sold Separately | Sold Separately | 5-6111X | RL | 815300007 | .375-24 x 1.75 | 052702703 | Straight / M6 X 1 |
| 608760000 | 60 | 2.362 | 12.106 | 600001002 (OEM) | 600001046 | 5-6111X | RL | 815300007 | .375-24 x 1.75 | 052702703 | Straight / M6 X 1 |
| 602380137 | 60 | 2.362 | 12.106 | 600001002 (OEM) | 600001046 | 5-6111X* | RL | 815300007 | .375-24 x 1.75 | 052802703* | 45° / M6 X 1 |

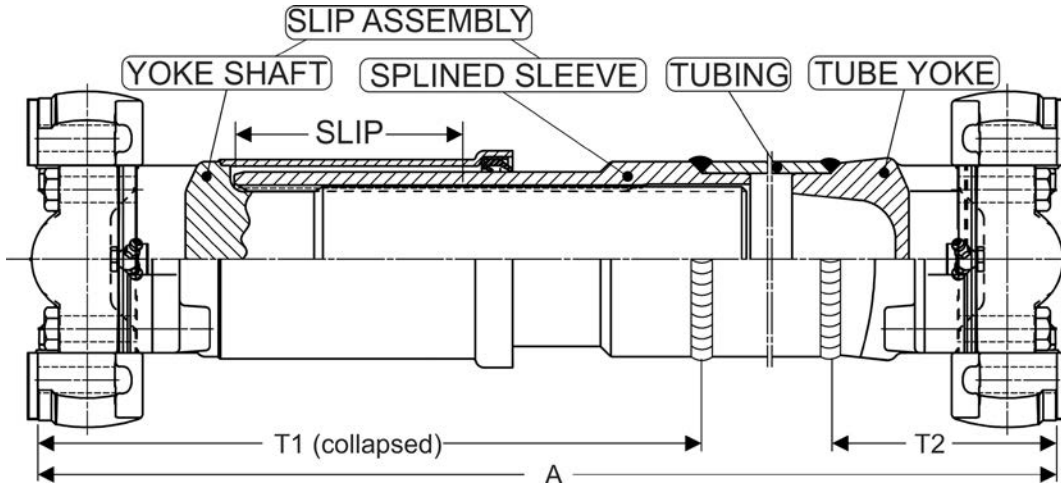
Abbreviations:
 UJ: U-Joint
 SF: Service Free
 RL: Relubable
 UJ: U-joint Kit
 NSS: Not Sold Separately
 PN: Part Number
 Assy: Assembly



| | Slip Assy (includes Dust Cap, Seal and Relief Valve) | Slip Assy RL or SF | Slip Yoke ASM (Seal and Dust Cap Not Included) | Tube shaft | Tube yoke | Tube (1900MM Long) | Tube size (in) (OD x Wall) | Relief valve | Dust cap | Seal |
|------------------|--|--------------------|--|------------|-----------|--------------------|----------------------------|--------------|-----------|-----------|
| 5C SERIES | | | | | | | | | | |
| | Sold Separately | SF Metric | 641020027 | 630370006 | 641040007 | 820580040-1900M | 2.283 x .157 | 816240002 | 816630000 | 813970000 |
| | 640720003 | SF | NSS | NSS | 641040000 | 820580040-1900M | 2.283 x .157 | 816240002 | 816630000 | 813970000 |
| | 640720003 | SF | NSS | NSS | 641040000 | 820580040-1900M | 2.283 x .157 | 816240002 | 816630000 | 813970000 |
| | 640720003 | SF | NSS | NSS | 641040000 | 820580040-1900M | 2.283 x .157 | 816240002 | 816630000 | 813970000 |
| | Sold Separately | RL | 641020030 | 630370006 | 641040000 | 820580040-1900M | 2.283 x .157 | 816100004 | 816610025 | 813970000 |
| 6C SERIES | | | | | | | | | | |
| | 610630003 | RL | NSS | NSS | 634950003 | 820700040-1900M | 2.756 x .157 | 816100004 | 816610025 | 813970000 |
| | 640730003 | SF | NSS | NSS | 634950003 | 820700040-1900M | 2.756 x .157 | 816240002 | 816630000 | 813970000 |
| | 640730003 | SF | NSS | NSS | 634950003 | 820700040-1900M | 2.756 x .157 | 816240002 | 816630000 | 813970000 |

*For Base Number 602380137 the OEM uses 45° zerks, PN 052802703, which can be purchased separately for replacing the zerks used in 5-6111X

SPICER WING® SERIES DRIVESHAFT - COVER TUBE STYLE



| SPICER WING SERIES BASE NUMBER | Slip [mm] | Slip [in] | "T" Dim (in) [T1+T2] | Wing In A Box Relube | Wing In A Box Service Free | Service U-Joint Kit | UJ Kit RL or SF | Bolts (Included in UJ Kit) |
|-----------------------------------|-----------|-----------|-------------------------|-------------------------|-------------------------------|------------------------|--------------------|----------------------------------|
| 6C SERIES | | | | | | | | |
| 612632000 | 120 | 4.724 | 13.858 | Sold Separately | Sold Separately | 5-6111X | RL | 815300007 |
| 612632072 | 120 | 4.724 | 13.858 | Sold Separately | Sold Separately | 5-6211X | SF | 815300007 |
| 612632062 | 120 | 4.724 | 13.858 | Sold Separately | Sold Separately | 5-6111X | RL | 815300007 |
| 7C SERIES | | | | | | | | |
| 612370310 | 125 | 4.921 | 15.803 | Sold Separately | Sold Separately | 5-7111X | RL | 815300014 |
| 612370122 | 130 | 5.118 | 14.878 | 600001003 | 600001038(OEM) | 5-7211X | SF | 815300014 |
| 612370000 | 130 | 5.118 | 14.878 | 600001003 (OEM) | 600001038 | 5-7111X | RL | 815300014 |
| 612370268 | 130 | 5.118 | 14.878 | Sold Separately | Sold Separately | 5-7111X | RL | 815300014 |
| 8.5C SERIES | | | | | | | | |
| 612290206 | 125 | 4.921 | 18.024 | Sold Separately | Sold Separately | 5-85111X | RL | 815300015 |
| 612290054 | 130 | 5.118 | 17.976 | 600001004 | 600001048(OEM) | 5-85211X | SF | 815300015 |
| 612290000 | 130 | 5.118 | 17.976 | 600001004(OEM) | 600001048 | 5-85111X | RL | 815300015 |
| 612290124 | 130 | 5.118 | 17.976 | 600001004 | 600001048(OEM) | 5-85211X | SF | 815300015 |
| 612290284 | 130 | 5.118 | 17.976 | 600001004(OEM) | 600001048 | 5-85111X | RL | 815300015 |
| 612290314 | 130 | 5.118 | 17.976 | Sold Separately | Sold Separately | 5-85211X | SF | 815300015 |
| 612290224 | 130 | 5.118 | 17.976 | Sold Separately | Sold Separately | 5-85211XM | SF | 815170013 |
| 9C SERIES | | | | | | | | |
| 612540039 | 150 | 5.906 | 18.957 | 600001005 | 600000999(OEM) | 5-9211X | SF | 815300015 |
| 10C SERIES | | | | | | | | |
| 609050034 | 150 | 5.906 | 23.858 | 600001006 | 600001049(OEM) | 5-10211X | SF | 815300017 |
| 609050048 | 150 | 5.906 | 23.858 | 600001006 | 600001049(OEM)* | 5-10111X* | RL | 815300017 |
| 609050051 | 150 | 5.906 | 23.858 | Sold Separately | Sold Separately | 5-10111X* | RL | 815300017 |
| 12C SERIES | | | | | | | | |
| 612825001 | 135 | 5.315 | 23.031 | Sold Separately | Sold Separately | 5-12111X* | RL | 815180001 |

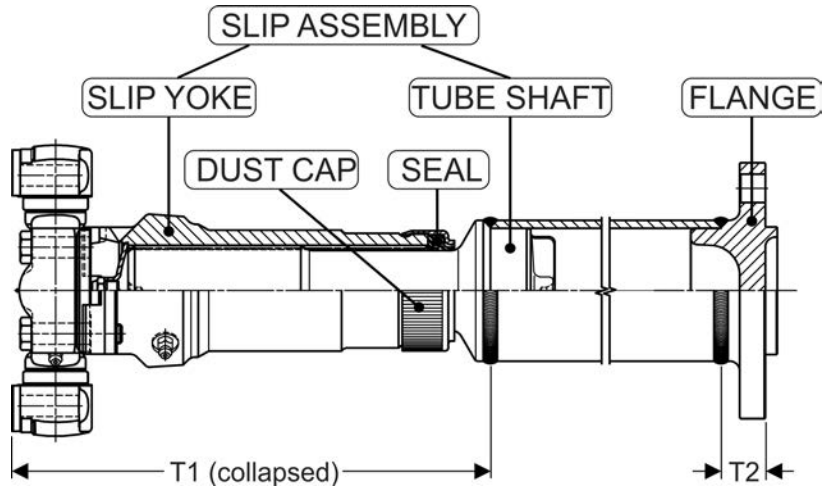
| Series | Application |
|--------|-------------|
| 6C | |
| 7C | |
| 8.5C | |
| 9C | |
| 10C | |
| 12C | |

| Abbreviations: | |
|----------------|---------------------|
| UJ: | U-Joint |
| SF: | Service Free |
| RL: | Relubable |
| UJ: | U-joint Kit |
| NSS: | Not Sold Separately |
| PN: | Part Number |
| Assy: | Assembly |

| Legend | | | | | | | | | | | | |
|-----------------|--------------------------|-------------------------|-------------------|-----------------|---------|----------------|--------------|----------|-------------|------------|--------------------|--------------------|
| | | | | | | | | | | | | |
| Wheeled Loaders | Telescopic Boom Handlers | Articulated Dump Trucks | Rigid Dump Trucks | Backhoe Loaders | Graders | Mining Shovels | Log Skidders | Scrapers | AG Tractors | Harvesters | Wheeled Excavators | Combine Harvesters |

| Bolt Size | Zerk PN | Zerk Type / Thread | Slip Assy (includes Dust Cap, Seal and Relief Valve) | Slip Assy RL or SF | Tube yoke | Tube | Tube size (in) (OD x Wall) | Seal |
|--|-------------------------|---|--|--------------------|-----------|------------------|----------------------------|-----------|
| 6C SERIES | | | | | | | | |
| .375-24 x 1.75 | 052702703 | Straight / M6 X 1 | 640730006 | SF | 634950003 | 820700040-1900M | 2.756 x .157 | 811130001 |
| .375-24 x 1.75 | NA | NA | 640730006 | SF | 634950003 | 820700040-1900M | 2.756 x .157 | 811130001 |
| .375-24 x 1.75 | 052702703 | Straight / M6 X 1 | 640730007 | RL | 634950003 | 820700040-1900M | 2.756 x .157 | 811130001 |
| 7C SERIES | | | | | | | | |
| .500-20 x 2.00 | 052703703 | Straight / M8 X 1 | 640740011 | RL | 631730019 | 065550102-1900M | 3.543 x .197 | 067750006 |
| .500-20 x 2.00 | NA | NA | 640740006 | SF | 631730019 | 820880040-1900M | 3.465 x .157 | 067750006 |
| .500-20 x 2.00 | 052703703 | Straight / M8 X 1 | 640740006 | SF | 631730019 | 820880040-1900M | 3.465 x .157 | 067750006 |
| .500-20 x 2.00 | 052703703 | Straight / M8 X 1 | 640740010 | RL | 631730019 | 065550102-1900M | 3.543 x .197 | 067750006 |
| 8.5C SERIES | | | | | | | | |
| .500-20 x 2.50 | 052261703 | DBL 23° / M10 X 1 | 640760007 | SF | 640650035 | 065550102-1900M | 3.543 x .197 | 067750006 |
| .500-20 x 2.50 | NA | NA | 640760004 | SF | 640650004 | 065580102-1900M | 3.937 x .236 | 067763006 |
| .500-20 x 2.50 | 052261703 | DBL 23° / M10 X 1 | 640760004 | SF | 640650004 | 065580102-1900M | 3.937 x .236 | 067763006 |
| .500-20 x 2.50 | NA | NA | 640760004 | SF | 640650004 | 065580102-1900M | 3.937 x .236 | 067763006 |
| .500-20 x 2.50 | 052261703 | DBL 23° / M10 X 1 | 640760004 | SF | 640650004 | 065580102-1900M | 3.937 x .236 | 067763006 |
| .500-20 x 2.50 | NA | NA | 640760008 | RL | 640650004 | 065580102-1900M | 3.937 x .236 | 067750006 |
| M12 X 60MM | NA | NA | 640760006 | SF Metric | 640650015 | 065580102-1900M | 3.937 x .236 | 067763006 |
| 9C SERIES | | | | | | | | |
| .500-20 x 2.50 | NA | NA | 640770002 | SF | 637290000 | 821150075-1900M | 4.526 x .295 | 067767006 |
| 10C SERIES | | | | | | | | |
| .625-18 x 3.00 | NA | NA | 642340006 | SF | 641710002 | 821440070-1900M | 5.669 x .276 | 067767006 |
| .625-18 x 3.00 | 052819703* | 45° / M10 X1 | 642340006 | SF | 641710002 | 821440070-1900M | 5.669 x .276 | 802209213 |
| *For Base Number 609050048 the OEM uses 45° zerks, PN 052819703, which can be purchased separately for replacing the zerks used in 5-10111X | | | | | | | | |
| .625-18 x 3.00 | 052819703* 052242703 | 45° / M10 X 1 Ext Straight / M10 X 1 | 642340006 | SF | 641710002 | 821440070-1900M | 5.669 x .276 | 802209213 |
| *For Base Number 609050051 the OEM uses 45° Zerk, PN 052819703 and Extended srt Zerk, PN 052242703, which can be purchased separately for replacing the zerks in 5-10111X | | | | | | | | |
| 12C SERIES | | | | | | | | |
| M14 X 1.5 | 816300008* | 90° / M10 | 612825005 | SF | 645369001 | 831600010-1900M# | 6.299 x .394 | 813980000 |
| *For Base Number 612825001 the OEM uses a 90° Zerk PN 816300008, which can be purchased separately for replacing the zerks in 5-12111X #Tube ID should be turned to 5.551" at a depth of .984" then radiused on inside each end before installing the tube fittings into the tube. | | | | | | | | |

SPICER WING® SERIES DRIVESHAFT - FLANGED



| SPICER WING SERIES BASE NUMBER | Slip (mm) | Slip (in) | "T" Dim (in) [T1+T2] | Service U-Joint Kit | UJ Kit RL or SF | Bolts (Included in UJ Kit) | Bolt Size | Zerk PN | |
|-----------------------------------|-----------|-----------|-------------------------|------------------------|--------------------|----------------------------------|----------------|-----------|--|
| 6C SERIES | | | | | | | | | |
| 610520105 | 60 | 2.362 | 10.020 | 5-6111X | RL | 815300007 | .375-24 x 1.75 | 052702703 | |
| 610520105 SF | 60 | 2.362 | 10.020 | 5-6111X | RL | 815300007 | .375-24 x 1.75 | 052702703 | |

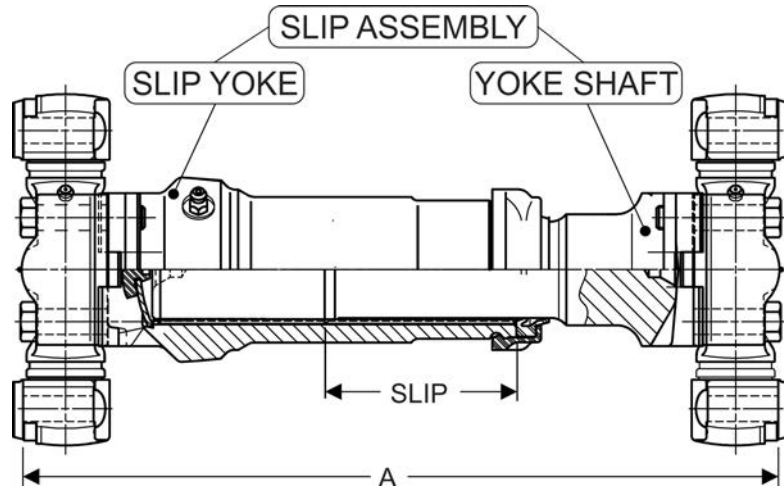
Abbreviations:
 UJ: U-Joint
 SF: Service Free
 RL: Relubable
 UJ: U-joint Kit
 NSS: Not Sold Separately
 PN: Part Number
 Assy: Assembly



| | Zerk Type / Thread | Slip Assy (includes Dust Cap, Seal and Relief Valve) | Slip Assy RL or SF | Tube Flange | Tube | Tube size (in) (OD x Wall) | Relief valve | Dust cap | Seal |
|------------------|--------------------|--|--------------------|-------------|-----------------|----------------------------|--------------|-----------|-----------|
| 6C SERIES | | | | | | | | | |
| | Straight / M6 X 1 | 610630003 | RL | 645357002 | 820700040-1900M | 2.756 x .157 | 816100004 | 816610025 | 813970000 |
| | Straight / M6 X 1 | 640730003* | SF | 645357002 | 820700040-1900M | 2.756 x .157 | 816100004 | 816610025 | 813970000 |

*SF SJ Version of 610520105

SPICER WING® SERIES DRIVESHAFT - SHORT COUPLE - STYLE 1



| SPICER WING SERIES BASE NUMBER | Slip (mm) | Slip (in) | "A" Dim Collapsed (in) | Service U-Joint Kit | UJ Kit RL or SF | Bolt | Bolt Size |
|-----------------------------------|-----------|-----------|---------------------------|------------------------|--------------------|-----------|----------------|
| 7C SERIES | | | | | | | |
| 611290082 | 30 | 1.181 | 8.858 | 5-7211X | SF | 815300014 | .500-20 x 2.00 |
| 611290080 | 45 | 1.772 | 10.197 | 5-7211X | SF | 815300014 | .500-20 x 2.00 |
| 607550000 | 45 | 1.772 | 10.197 | 5-7111X | RL | 815300014 | .500-20 x 2.00 |
| 606910001 | 75 | 2.953 | 11.024 | 5-7211X | SF | 815300014 | .500-20 x 2.00 |
| 607560000 | 75 | 2.953 | 11.024 | 5-7111X | RL | 815300014 | .500-20 x 2.00 |
| 607630000 | 75 | 2.953 | 12.205 | 5-7111X | RL | 815300014 | .500-20 x 2.00 |
| 8.5C SERIES | | | | | | | |
| 612500146 | 40 | 1.574 | 10.827 | 5-85211X | SF | 815300015 | .500-20 x 2.50 |
| 612500090 | 53 | 2.087 | 11.417 | 5-85211X | SF | 815300015 | .500-20 x 2.50 |
| 609750001 | 65 | 2.559 | 12.205 | 5-85211X | SF | 815300015 | .500-20 x 2.50 |
| 612500024 | 65 | 2.559 | 12.205 | 5-85111X | RL | 815300015 | .500-20 x 2.50 |
| 612500183 | 75 | 2.953 | 13.386 | 5-85211X | SF | 815300015 | .500-20 x 2.50 |
| 612500026 | 75 | 2.953 | 13.386 | 5-85111X | RL | 815300015 | .500-20 x 2.50 |
| 612500096 | 85 | 3.346 | 14.488 | 5-85211X | SF | 815300015 | .500-20 x 2.50 |
| 612500028 | 85 | 3.346 | 14.488 | 5-85111X | RL | 815300015 | .500-20 x 2.50 |
| 612500301 | 85 | 3.346 | 15.079 | 5-85211X | SF | 815300015 | .500-20 x 2.50 |
| 612500093 | 85 | 3.346 | 16.929 | 5-85211X | SF | 815300015 | .500-20 x 2.50 |
| 9C SERIES | | | | | | | |
| 612530078 | 65 | 2.559 | 13.386 | 5-9111X | RL | 815300015 | .500-20 x 2.50 |
| 608090000 | 72 | 2.835 | 13.661 | 5-9111X | RL | 815300015 | .500-20 x 2.50 |
| 612530035 | 72 | 2.835 | 14.843 | 5-9211X | SF | 815300015 | .500-20 x 2.50 |
| 612530070 | 95 | 3.740 | 17.126 | 5-9211X | SF | 815300015 | .500-20 x 2.50 |
| 612530135 | 95 | 3.740 | 17.126 | 5-9111X* | RL | 815300015 | .500-20 x 2.50 |
| 10C SERIES | | | | | | | |
| 610810004 | 95 | 3.740 | 17.323 | 5-10111X | RL | 815300017 | .625-18 x 3.00 |
| 610810044 | 100 | 3.937 | 18.622 | 5-10211XM | SF | 815190003 | M16 X 80MM |

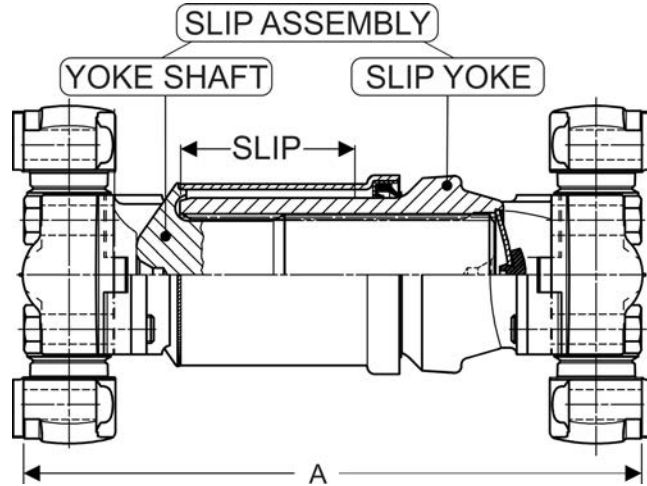
| Series | Application |
|-------------|-------------|
| 7C | |
| 8.5C | |
| 9C | |
| 10C | |

Abbreviations:
 UJ: U-Joint
 SF: Service Free
 RL: Relubable
 UJ: U-joint Kit
 NSS: Not Sold Separately
 PN: Part Number
 Assy: Assembly

| Legend | | | | | | | | | | | | | |
|-----------------|--------------------------|-------------------------|-------------------|-----------------|---------|----------------|--------------|----------|-------------|------------|--------------------|--------------------|--|
| | | | | | | | | | | | | | |
| Wheeled Loaders | Telescopic Boom Handlers | Articulated Dump Trucks | Rigid Dump Trucks | Backhoe Loaders | Graders | Mining Shovels | Log Skidders | Scrapers | AG Tractors | Harvesters | Wheeled Excavators | Combine Harvesters | |

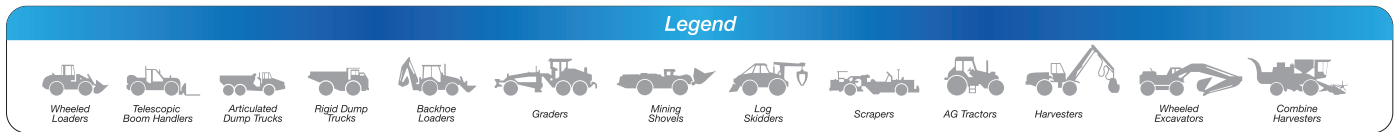
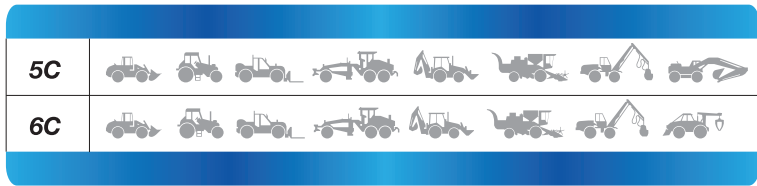
| | Zerk PN | Zerk Type / Thread | Slip Assy (includes Seal and Relief Valve) | Slip Assy RL or SF | Relief valve | Seal |
|--------------------|-------------------------|------------------------------------|--|--------------------|--------------|-----------|
| 7C SERIES | | | | | | |
| | NA | NA | 635390053 | SF | 816240002 | 067750006 |
| | NA | NA | 635390049 | SF | 816240002 | 067750006 |
| | 052703703 | Straight / M8 X 1 | 635390049 | SF | 816240002 | 067750006 |
| | NA | NA | 635390050 | SF | 816240002 | 067750006 |
| | 052703703 | Straight / M8 X 1 | 635390050 | SF | 816240002 | 067750006 |
| | 052703703 | Straight / M8 X 1 | 635390048 | SF | 816240002 | 067750006 |
| 8.5C SERIES | | | | | | |
| | NA | NA | 698110030 | SF | 816240002 | 067750006 |
| | NA | NA | 698110029 | SF | 816240002 | 067750006 |
| | NA | NA | 698110000 | SF | 816240002 | 067763006 |
| | 052261703 | DBL 23° / M10 X 1 | 698110000 | SF | 816240002 | 067763006 |
| | NA | NA | 698110002 | SF | 816240002 | 067763006 |
| | 052261703 | DBL 23° / M10 X 1 | 698110002 | SF | 816240002 | 067763006 |
| | NA | NA | 698110009 | SF | 816240002 | 067763006 |
| | 052261703 | DBL 23° / M10 X 1 | 698110009 | SF | 816240002 | 067763006 |
| | NA | NA | 698084000 | SF | 816240002 | 067763006 |
| | NA | NA | 698110008 | SF | 816240002 | 067763006 |
| 9C SERIES | | | | | | |
| | 052703703 | Straight / M8 X 1 | 699600034 | SF | 816240002 | 067767006 |
| | 052703703 | Straight / M8 X 1 | 699600022 | SF | 816240002 | 067767006 |
| | NA | NA | 699600035 | SF | 816240002 | 067767006 |
| | NA | NA | 699600024 | SF | 816240002 | 067767006 |
| | 052133703* 052703703 | 45° / M8 X 1M Straight / M8 X 1 | 637450008 | SF | 816240002 | 802209213 |
| 10C SERIES | | | | | | |
| | 052728703 | Straight / M10 X 1 | 698870004 | SF | 816240002 | 067767006 |
| | NA | NA | 697947000 | SF | 816240002 | 067767006 |

SPICER WING® SERIES DRIVESHAFT - SHORT COUPLE - STYLE 2



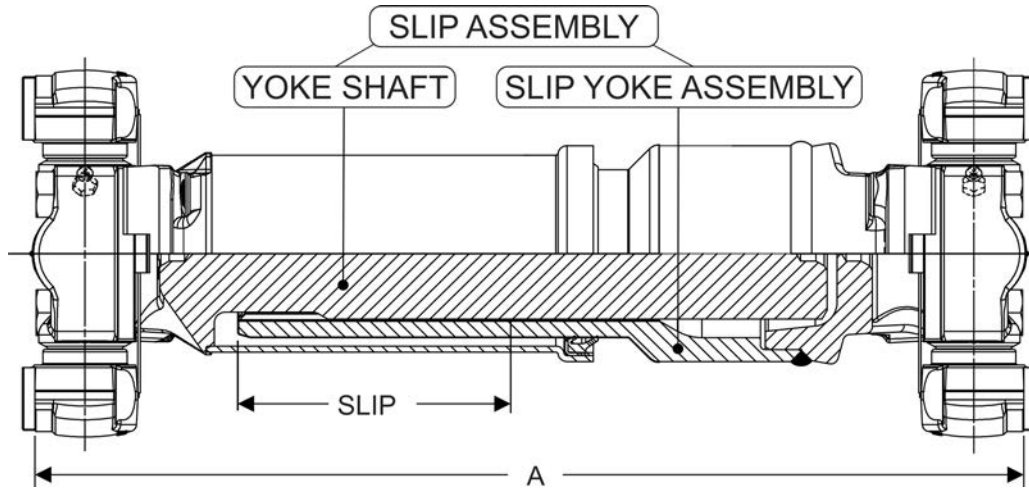
| BASE NUMBER | Slip [mm] | Slip [in] | "A" Dim Collapsed (in) | Service U-Joint Kit | UJ Kit RL/SF | Bolt | Bolt Size |
|------------------|-----------|-----------|------------------------|---------------------|--------------|-----------|-----------------|
| 5C SERIES | | | | | | | |
| 607860035 | 45 | 1.772 | 10.669 | 5-5211XM | SF | 815160008 | M10 X 45MM |
| 607450003 | 72 | 2.835 | 13.386 | 5-5111X | RL | 815300007 | .375-24 x 1.750 |
| 6C SERIES | | | | | | | |
| 602380135 | 30 | 1.181 | 8.464 | 5-6111X | RL | 815300007 | .375-24 x 1.750 |
| 602380163 | 75 | 2.953 | 11.023 | 5-6111X | RL | 815300007 | .375-24 x 1.750 |
| 607510005 | 75 | 2.953 | 12.205 | 5-6111X | RL | 815300007 | .375-24 x 1.750 |

Abbreviations:
 UJ: U-Joint
 SF: Service Free
 RL: Relubable
 UJ: U-joint Kit
 NSS: Not Sold Separately
 PN: Part Number
 Assy: Assembly



| Zerk PN | Zerk Type / Thread | Slip Assy (includes Dust Cap, Seal and Relief Valve) | Slip Assy RL/SF | Relief valve | Dust cap | Seal |
|------------------|--------------------|--|-----------------|--------------|-----------|-----------|
| 5C SERIES | | | | | | |
| NA | NA | 697747000 | SF | 816240002 | 816630000 | 813970000 |
| 052702703 | Straight / M6 X 1 | 697794000 | RL | 816100004 | 816610025 | 813970000 |
| 6C SERIES | | | | | | |
| 052702703 | Straight / M6 X 1 | 699720002 | SF | NA | 816630000 | 813970000 |
| 052702703 | Straight / M6 X 1 | 698510000 | RL | 816100004 | 816610025 | 813970000 |
| 052702703 | Straight / M6 X 1 | 635320044 | RL | 816240002 | 816630000 | 813970000 |

SPICER WING® SERIES DRIVESHAFT - SHORT COUPLE - STYLE 3



| SPICER WING SERIES BASE NUMBER | Slip (mm) | Slip (in) | "A" Dim Collapsed (in) | Service U-Joint Kit | UJ Kit RL or SF | Bolt | Bolt Size |
|-----------------------------------|-----------|-----------|---------------------------|------------------------|--------------------|-----------|----------------|
| 7C | | | | | | | |
| 602880203 | 130 | 5.118 | 15.984 | 5-7211X | SF | 815300014 | .500-20 x 2.00 |
| 8.5C | | | | | | | |
| 612500079 | 130 | 5.118 | 17.756 | 5-85211X | SF | 815300015 | .500-20 x 2.50 |
| 9C | | | | | | | |
| 612530134 | 130 | 5.118 | 19.567 | 5-9111X* | RL | 815300015 | .500-20 x 2.50 |
| 612530133 | 130 | 5.118 | 19.566 | 5-9111X* | RL | 815300015 | .500-20 x 2.50 |
| 10C | | | | | | | |
| 610810070 | 100 | 3.937 | 21.653 | 5-10111X* | RL | 815300017 | .625-18 x 3.00 |

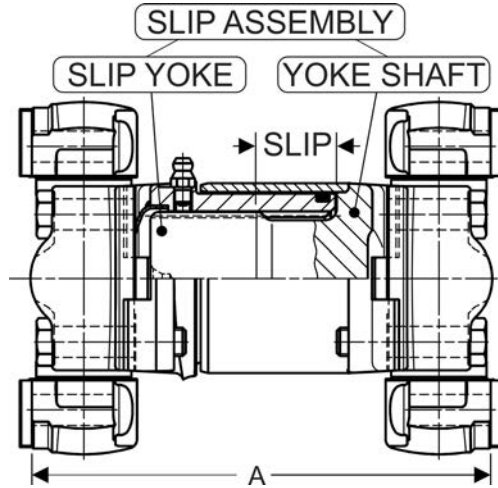
| Series | Application |
|-------------|-------------|
| 7C | |
| 8.5C | |
| 9C | |
| 10C | |

| Abbreviations: | |
|----------------|---------------------|
| UJ: | U-Joint |
| SF: | Service Free |
| RL: | Reliable |
| UJ: | U-joint Kit |
| NSS: | Not Sold Separately |
| PN: | Part Number |
| Assy: | Assembly |

| Legend | | | | | | | | | | | | |
|-----------------|--------------------------|-------------------------|-------------------|-----------------|---------|----------------|--------------|----------|-------------|------------|--------------------|--------------------|
| | | | | | | | | | | | | |
| Wheeled Loaders | Telescopic Boom Handlers | Articulated Dump Trucks | Rigid Dump Trucks | Backhoe Loaders | Graders | Mining Shovels | Log Skidders | Scrapers | AG Tractors | Harvesters | Wheeled Excavators | Combine Harvesters |

| | Zerk PN | Zerk Type / Thread | Slip Assy (includes Seal) | Slip Assy RL or SF | Relief valve | Dust cap | Seal |
|--|-------------------------|-----------------------------------|---------------------------|--------------------|--------------|----------|-----------|
| 7C | | | | | | | |
| | NA | NA | 698024000 | SF | NA | NA | 067750006 |
| 8.5C | | | | | | | |
| | NA | NA | 698110001 | SF | NA | NA | 067763006 |
| 9C | | | | | | | |
| | 052133703* | 45° / M8 X 1 | 698097000 | SF | NA | NA | 802209213 |
| *For Base Number 612530134 the OEM uses 45° zerks, PN 052133703, which can be purchased separately for replacing the zerks used in 5-9111X | | | | | | | |
| | 052703703 052133703* | Straight / M8 X 1 45° / M8 X 1 | 698097000 | SF | NA | NA | 802209213 |
| *For Base Number 612530133 the OEM uses 45° zerks in one UJ kit, PN 052133703, which can be purchased separately for replacing the zerks used in 5-9111X | | | | | | | |
| 10C | | | | | | | |
| | 052819703* | 45° / M10 X 1 | 697780000 | SF | NA | NA | 802209213 |
| *For Base Number 610810070 the OEM uses 45° zerks, PN 052819703, which can be purchased separately for replacing the zerks used in 5-10111X | | | | | | | |

SPICER WING® SERIES DRIVESHAFT - SHORT COUPLE - STYLE 4



| SPICER WING SERIES BASE NUMBER | Slip (mm) | Slip (in) | "A" Dim Collapsed (in) | Service U-Joint Kit | UJ Kit RL or SF | Bolt | Bolt Size |
|-----------------------------------|-----------|-----------|---------------------------|------------------------|--------------------|-----------|----------------|
| 5C | | | | | | | |
| 611380005 | 20 | 0.787 | 6.102 | 5-5211X | SF | 815300007 | .375-24 x 1.75 |
| 6C | | | | | | | |
| 602380067 | 21 | 0.827 | 6.496 | 5-6111X | RL | 815300007 | .375-24 x 1.75 |
| 8.5C | | | | | | | |
| 612500217 | 60 | 2.362 | 11.141 | 5-85211X | SF | 815300015 | .500-20 x 2.50 |

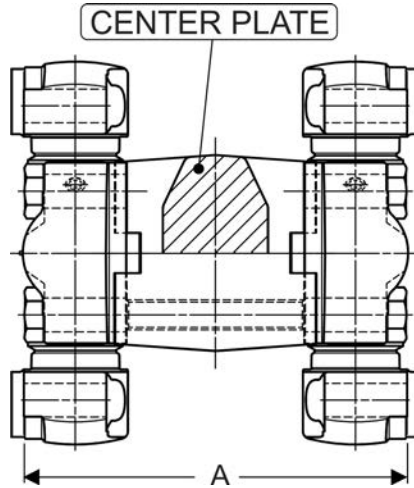
Abbreviations:
 UJ: U-Joint
 SF: Service Free
 RL: Reluable
 UJ: U-joint Kit
 NSS: Not Sold Separately
 PN: Part Number
 Assy: Assembly

| Series | Application |
|-------------|-------------|
| 5C | |
| 6C | |
| 8.5C | |

| Legend | | | | | | | | | | | | |
|-----------------|--------------------------|-------------------------|-------------------|-----------------|---------|----------------|--------------|----------|-------------|------------|--------------------|--------------------|
| | | | | | | | | | | | | |
| Wheeled Loaders | Telescopic Boom Handlers | Articulated Dump Trucks | Rigid Dump Trucks | Backhoe Loaders | Graders | Mining Shovels | Log Skidders | Scrapers | AG Tractors | Harvesters | Wheeled Excavators | Combine Harvesters |

| | Zerk PN | Zerk Type / Thread | Slip Assy (includes Seal) | Slip Assy RL or SF | Relief valve | Dust cap | Seal |
|-------------|-----------|--------------------|---------------------------|--------------------|--------------|----------|-----------|
| 5C | NA | NA | 697481000 | RL | NA | NA | 813860008 |
| 6C | 052702703 | Straight / M6 X 1 | 698880000 | SF | NA | NA | 813860008 |
| 8.5C | NA | NA | 698110014 | RL | NA | NA | 813860016 |

SPICER WING® SERIES DOUBLE JOINT - PLATE STYLE



| SPICER WING SERIES BASE NUMBER | "A" Dim (in) | Service U-Joint Kit | UJ Kit RL or SF | Bolt | Bolt Size | Zerk PN | |
|-----------------------------------|--------------|------------------------|--------------------|------------|----------------|------------|--|
| 7C | | | | | | | |
| 605110080 | 5.827 | 5-7211X | SF | 815300014 | .500-20 x 2.00 | NA | |
| 605110098 | 5.075 | 5-7211XM55 | SF | 815170012* | M12X55 | NA | |
| 600770004 | 5.000 | 5-7211XM50 | SF | 814630000* | M12X50 | NA | |
| 605110101 | 4.287 | 5-7211XM105 | SF | 815170016* | M12 X 105MM | NA | |
| 605110067 | 6.023 | 5-7111X* | RL | 815300014 | .500-20 x 2.00 | 815060005* | |
| 8.5C | | | | | | | |
| 606570045 | 6.654 | 5-85211XM | SF | 815170013* | M12X65 | NA | |
| 606570046 | 8.287 | 5-85211XM | SF | 815170013* | M12X65 | NA | |

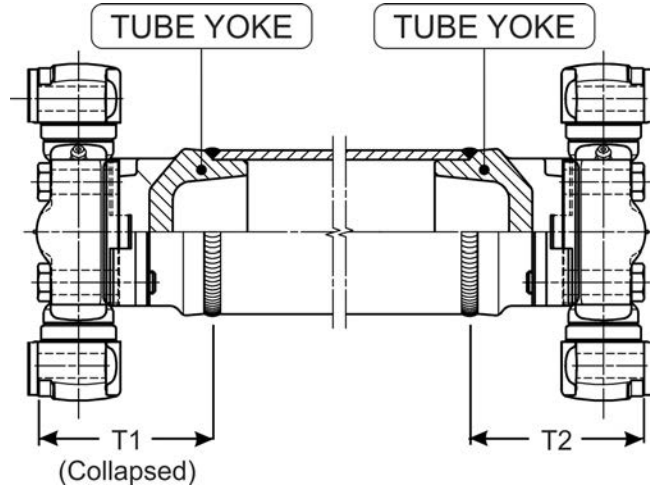
Abbreviations:
 UJ: U-Joint
 SF: Service Free
 RL: Relubable
 UJ: U-joint Kit
 NSS: Not Sold Separately
 PN: Part Number
 Assy: Assembly

| Series | Application |
|-------------|-------------|
| 7C | |
| 8.5C | |

| Legend | | | | | | | | | | | | |
|-----------------|--------------------------|-------------------------|-------------------|-----------------|---------|----------------|--------------|----------|-------------|------------|--------------------|--------------------|
| | | | | | | | | | | | | |
| Wheeled Loaders | Telescopic Boom Handlers | Articulated Dump Trucks | Rigid Dump Trucks | Backhoe Loaders | Graders | Mining Shovels | Log Skidders | Scrapers | AG Tractors | Harvesters | Wheeled Excavators | Combine Harvesters |

| | Zerk Type / Thread | Center Plate | Nut | Nut Size | *Note |
|-------------|--------------------|--------------|------------|----------|--------------------------------------|
| 7C | | | | | |
| | NA | 645367003 | NA | | |
| | NA | 632250020 | NA | | *Metric Threads |
| | NA | 632250011 | NA | | *Metric Threads |
| | NA | 632250022 | 815650001* | M12 | *Metric Through Bolt + Nut |
| | Plug / M6 X 1 | 645367001 | NA | | *OEM Uses Plug Instead of Zerk in UJ |
| 8.5C | | | | | |
| | NA | 640790004 | NA | | *Metric Threads |
| | NA | 640790005 | NA | | *Metric Threads |

SPICER WING® SERIES DOUBLE JOINT - TUBULAR STYLE



| SPICER WING SERIES BASE NUMBER | "T" Dim (in) [T1+T2] | Service U-Joint Kit | UJ Kit RL or SF | Bolt | Bolt Size | Zerk PN | |
|-----------------------------------|-------------------------|------------------------|--------------------|------------|-----------------|------------------------|--|
| 5C | | | | | | | |
| 605900034 | 6.299 | 5-5211X | SF | 815300007 | .375-24 x 1.75 | NA | |
| 6C | | | | | | | |
| 608330022 | 5.905 | 5-6111X | RL | 815300007 | .375-24 x 1.75 | 052702703 | |
| 7C | | | | | | | |
| 605120014 | 7.185 | 5-7111X | RL | 815300014 | .500-20 x 2.00 | 052703703 | |
| 8.5C | | | | | | | |
| 605270006 | 9.118 | 5-85211XM | SF | 815170013* | M12X65 | NA | |
| 612643000 | 9.118 | 5-85111X | RL | 815300015 | .500-20 x 2.500 | 052261703 | |
| 610350019 | 9.118 | 5-85211X | SF | 815300015 | .500-20 x 2.500 | NA | |
| 9C | | | | | | | |
| 612340020 | 9.748 | 5-9111X | RL | 815300015 | .500-20 x 2.500 | 052703703 052133703 | |

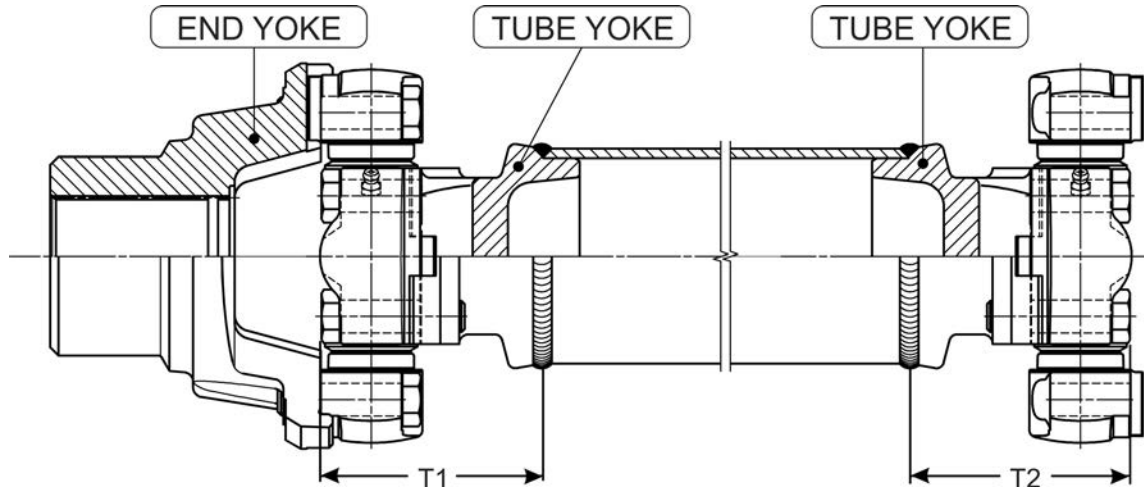
| Series | Application |
|-------------|-------------|
| 5C | |
| 6C | |
| 7C | |
| 8.5C | |
| 9C | |

Abbreviations:
 UJ: U-Joint
 SF: Service Free
 RL: Relubable
 UJ: U-joint Kit
 NSS: Not Sold Separately
 PN: Part Number
 Assy: Assembly

| Legend | | | | | | | | | | | | |
|-----------------|--------------------------|-------------------------|-------------------|-----------------|---------|----------------|--------------|----------|-------------|------------|--------------------|--------------------|
| | | | | | | | | | | | | |
| Wheeled Loaders | Telescopic Boom Handlers | Articulated Dump Trucks | Rigid Dump Trucks | Backhoe Loaders | Graders | Mining Shovels | Log Skidders | Scrapers | AG Tractors | Harvesters | Wheeled Excavators | Combine Harvesters |

| | Zerk Type / Thread | Tube | Tube size (in) (OD x Wall) | Tube yoke (2 req'd) | *Note |
|-------------|------------------------------------|-----------------|----------------------------|---------------------|--|
| 5C | NA | 820580040-1900M | 2.283 x .157 | 641040000 | |
| 6C | Straight / M6 X 1 | 820700040-1900M | 2.756 x .157 | 634950003 | |
| 7C | Straight / M8 X 1 | 820880040-1900M | 3.465 x .157 | 631730019 | |
| 8.5C | NA | 065580102-1900M | 3.937 x .236 | 640650037 | *Metric Threads |
| | DBL 23* / M10 X 1 | 065580102-1900M | 3.937 x .236 | 640650004 | |
| | NA | 065580102-1900M | 3.937 x .236 | 640650004 | |
| 9C | Straight / M8 X 1 45° / M8 X 1M | 821150075-1900M | 4.527 X .295 | 637290000 | Straight Zerk UJ and 45° Zerk UJ Version |

SPICER WING® SERIES DOUBLE JOINT - WITH END YOKE



| SPICER WING SERIES BASE NUMBER | "T" Dim (in) [T1+T2] | Service U-Joint Kit | UJ Kit RL or SF | Bolts (Included in UJ Kit) | Bolt Size | Zerk PN | Zerk Type / Thread |
|--------------------------------|----------------------|---------------------|-----------------|----------------------------|----------------|-----------|--------------------|
| 6C | | | | | | | |
| 608330024 | 5.905 | 5-6111X | RL | 815300007 | .375-24 x 1.75 | 052702703 | Straight / M6 X 1 |
| 7C | | | | | | | |
| 605120039 | 7.181 | 5-7111X | RL | 815300014 | .500-20 x 2.00 | 052703703 | Straight / M8 X 1 |
| 8.5C | | | | | | | |
| 612643006 | 9.118 | 5-85111X | RL | 815300015 | .500-20 x 2.50 | 052261703 | DBL 23° / M10 X 1 |

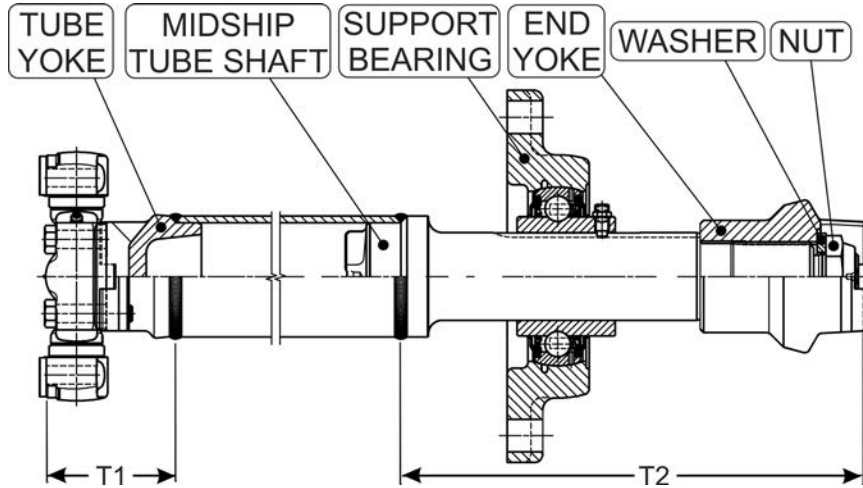
Abbreviations:
 UJ: U-Joint
 SF: Service Free
 RL: Relubable
 UJ: U-joint Kit
 NSS: Not Sold Separately
 PN: Part Number
 Assy: Assembly

| Series | Application |
|-------------|-------------|
| 6C | |
| 7C | |
| 8.5C | |

| Legend | | | | | | | | | | | | |
|-----------------|--------------------------|-------------------------|-------------------|-----------------|---------|----------------|--------------|----------|-------------|------------|--------------------|--------------------|
| | | | | | | | | | | | | |
| Wheeled Loaders | Telescopic Boom Handlers | Articulated Dump Trucks | Rigid Dump Trucks | Backhoe Loaders | Graders | Mining Shovels | Log Skidders | Scrapers | AG Tractors | Harvesters | Wheeled Excavators | Combine Harvesters |

| | Tube | Tube size (in) (OD x Wall) | Tube yoke (2 req'd) | End Yoke | Notes* |
|-------------|-----------------|-------------------------------|------------------------|-----------|--------|
| 6C | | | | | |
| | 820700040-1900M | 2.756 x .157 | 634950003 | 640440009 | |
| 7C | | | | | |
| | 065550102-1900M | 3.543 x .197 | 631730019 | 641110021 | |
| 8.5C | | | | | |
| | 065550102-1900M | 3.543 x .197 | 640650035 | 640040007 | |

SPICER WING® SERIES COUPLING SHAFTS



| SPICER WING SERIES BASE NUMBER | "T" Dim (in) | Service U-Joint Kit | UJ Kit RL or SF | Bolt | Bolt Size | Zerk PN | Zerk Type / Thread | Tube yoke |
|--------------------------------|--------------|---------------------|-----------------|------------|----------------|-----------|--------------------|-----------|
| 5C | | | | | | | | |
| 644120010 | 7.362 | 5-5111X | RL | 815300007 | .375-24 x 1.75 | 052702703 | Straight / M6 X 1 | 641040000 |
| 6C | | | | | | | | |
| 611320038 | 11.968 | 5-6111X | RL | 815300007 | .375-24 x 1.75 | 052702703 | Straight / M6 X 1 | 634950003 |
| 611320042 | 13.543 | 5-6111X | RL | 815300007 | .375-24 x 1.75 | 052702703 | Straight / M6 X 1 | 634950003 |
| 7C | | | | | | | | |
| 611310101 | 14.220 | 5-7111X | RL | 815300014 | .500-20 x 2.00 | 052703703 | Straight / M8 X 1 | 631730019 |
| 8.5C | | | | | | | | |
| 606580004 | 14.834 | 5-85111X | RL | 815300015 | .500-20 x 2.50 | 052261703 | DBL 23* / M10 X 1 | 640650035 |
| 8.5CCS54001 | 15.550 | 5-85211X | SF | 815170015 | .500-20 x 2.50 | NA | NA | 640650015 |
| 10C | | | | | | | | |
| 612720005 | 17.638 | 5-10211X | SF | 815190003* | M16 X 80MM | NA | NA | 641710008 |

| Series | Application |
|-------------|-------------|
| 5C | |
| 6C | |
| 7C | |
| 8.5C | |
| 10C | |

Abbreviations:
 UJ: U-Joint
 SF: Service Free
 RL: Reluable
 UJ: U-joint Kit
 NSS: Not Sold Separately
 PN: Part Number
 Assy: Assembly

| Legend | | | | | | | | | | | | |
|-----------------|--------------------------|-------------------------|-------------------|-----------------|---------|----------------|--------------|----------|-------------|------------|--------------------|--------------------|
| | | | | | | | | | | | | |
| Wheeled Loaders | Telescopic Boom Handlers | Articulated Dump Trucks | Rigid Dump Trucks | Backhoe Loaders | Graders | Mining Shovels | Log Skidders | Scrapers | AG Tractors | Harvesters | Wheeled Excavators | Combine Harvesters |

| | Midship tube shaft | Tube | Tube size (in) (OD x Wall) | End yoke | Washer | Nut | Coupling Shaft End Yoke Bolt | Support bearing | *Note |
|-------------|--------------------|-----------------|----------------------------|-------------|-----------|-----------|------------------------------|-----------------|---------------|
| 5C | | | | | | | | | |
| | 641380004 | 820580040-1900M | 2.283 x .157 | 641390004 | 815970015 | 815700001 | NA | NONE | |
| 6C | | | | | | | | | |
| | 640460011 | 820700040-1900M | 2.756 x .157 | NA | NA | NA | NA | NONE | |
| | 640460002 | 820700040-1900M | 2.756 x .157 | 640440000 | 815970015 | 815570036 | NA | 612824000 | |
| 7C | | | | | | | | | |
| | 645362001 | 065550102-1900M | 3.543 x .197 | 640480013 | 815970014 | 2004081 | NA | 612824000 | |
| 8.5C | | | | | | | | | |
| | 640420015 | 065550102-1900M | 3.543 x .197 | 640400001 | 815970014 | 815570037 | NA | 5008363 | |
| | 5-53-421 | 065580102-1900M | 3.937 x .236 | 8.5C-4-141M | 233043 | NA | 232375 | 233042 | |
| 10C | | | | | | | | | |
| | 645348000 | 821440070-1900M | 5.669 x .276 | 642020013 | 815970005 | 815570032 | NA | 640860001 | *Metric Bolts |

Spicer Wing® Series U-Joint Kits

Product Information and Cross Reference

| Spicer Part # | Series | U-Joint Style | Bearing Block Style | Bolt # Included (Qty.) | Thread | SVL |
|---------------|-----------|---------------|---------------------|--------------------------------|---------------------|-----------|
| 5-2031X | 2C | Relube | ISR/DWT | 5-73-211 (4) | 5/16"-24 | |
| 5-3144X | 3C | Relube | LWT/LWT | 5-73-211 (8) | 5/16"-24 | |
| 5-4111X | 4C | Relube | HWD/HWD | 815300001 (8) | 5/16"-24 | 15-4111X |
| 5-4112X | 4C | Relube | HWT/HWD | 230071 (4) 230075 (4) | 5/16"-24 | |
| 5-4144X | 4C | Relube | LWT/LWT | 815030000 (8) | 5/16"-24 | |
| 5-4211X | 4C | Svc. Free | HWD/HWD | 815300001 (8) | 5/16"-24 | |
| 5-345X | 4C/1410 | Relube | HWD/OSR | 230071 (4) | 5/16"-24 | |
| 5-328X | 58WB/1550 | Relube | HWD/OSR | 7-73-528 (4) | 7/16"-20 | |
| 5-5015X | 5C | Relube | ISR/LWD | 230996 (4) | 3/8"-24 | |
| 5-5111X | 5C | Relube | HWD/HWD | 815300007 (8) | 3/8"-24 | 15-5111X |
| 5-5211X | 5C | Svc. Free | HWD/HWD | 815300007 (8) | 3/8"-24 | |
| 5C-3X | 5C/1480 | Relube | HWD/OSR | 6-73-427 (4) | 3/8"-24 | |
| 5C-5X | 5C/1480 | Relube | HWT/OSR | 6-73-527 (4) | 3/8"-24 | |
| 5-6111X | 6C | Relube | HWD/HWD | 815300007 (8) | 3/8"-24 | 15-6111X |
| 5-6211X | 6C | Svc. Free | HWD/HWD | 815300007 (8) | 3/8"-24 | |
| 6C-3X | 6C/1550 | Relube | HWD/OSR | 6-73-427 (4) | 3/8"-24 | |
| 6C-5X | 6C/1550 | Relube | HWT/OSR | 6-73-527 (4) | 3/8"-24 | |
| 5-7111X | 7C | Relube | HWD/HWD | 815300014 (8) | 1/2"-20 | 15-7111X |
| 5-7115X | 7C | Relube | HWD/DWT | 815300014 (4) 500667-10 (4) | 1/2"-20 7/16"-20 | |
| 5-7211X | 7C | Svc. Free | HWD/HWD | 815300014 (8) | 1/2"-20 | |
| 5-330X | 7C/1650 | Relube | HWD/OSR | 8-73-540 (8) | 1/2"-20 | |
| 5-85111X | 8.5C | Relube | HWD/HWD | 815300015 (8) | 1/2"-20 | 15-85111X |
| 5-8111X | 8C | Relube | HWD/HWD | 815300014 (8) | 1/2"-20 | 15-8111X |
| 5-8211X | 8C | Svc. Free | HWD/HWD | 815300014 (8) | 1/2"-20 | |

Spicer Wing® Series U-Joint Kits

Product Information and Cross Reference

| | Certified | GKN / Mechanics | GMB | Meritor | Neapco | New Star | Precision |
|--|-----------|--------------------------------------|---|--------------|--------|----------|---------------|
| | | 114-02100 | 210-2031, G5-2031X | | 1-2134 | | 508, 961 |
| | W3152 | 03065795, 114-03152 | 230-3000, G5-3000X | CP3000 | 3-3152 | | 530, 536 |
| | W4143 | 03065864, 03065863, 114-04143A | 230-4143, G5-4143X | CP4143X | 3-4143 | S-7618 | 969 |
| | | 03065856, 114-04140 | 230-4110, G5-4143X | | 3-4140 | S-11832 | 929 |
| | W4138 | 03065853, 114-04138 | 230-4002, G5-4002X | CP4002 | 3-4138 | S6110 | 921 |
| | | 3076051 | | | | | |
| | R345 | | | | | | 548 |
| | | | | | | | 484 |
| | | | | | | | 557 |
| | W5177 | 03065916, 03065903, 114-05146 | 230-5177, G5-5177X | CP5177 | 4-5177 | S-6113 | 968 |
| | | 03065964, 03074476, 114-05262 | | | 4-5262 | | |
| | R347 | | | | | | |
| | | | | | | | |
| | W6128 | 03065980, 03065979, 114-06128 | 230-6106, 2306106, G5-6106X, G56106X | CP62N-HWD | 4-6128 | S-6107 | 905 |
| | | 03071301, 03075937, 114-06301A | | CP62N-HWD-PL | 4-6937 | | |
| | R221 | | | | | | |
| | | | | | | | |
| | W7126 | 030666076, 03066075, 114-07126 | 230-7105, 2307105, G5-7105X, G57105X | CP72N-HWD | 5-7126 | S-6118 | 927 |
| | | 03066087, 114-07207 | 230-7202, 2307202, 231-7202, 2317202, G5-7202X, G5-7202XD, G57202X, G57202XD | CP72N-HB | 5-7207 | S-6116 | 574, 774, 906 |
| | | 03066149, 03075956, 114-7326A | | CP72N-HWD-PL | 5-7956 | | |
| | | | | | | | |
| | W8516 | 03075821, 03075958 | | CP85WB-HWD | 6-8516 | | 963 |
| | W8113 | 03066180, 03066161, 114-08113 | 230-8105, 2308105, G5-8105X, G58105X | CP82N-HWD | 6-8113 | S-6126 | 928 |
| | | 03066187, 03075957, 114-08248A | | CP82N-HWD-PL | 6-8957 | | |

Spicer Wing® Series U-Joint Kits

Product Information and Cross Reference

| Spicer Part # | Series | U-Joint Style | Bearing Block Style | Bolt # Included (Qty.) | Thread | SVL |
|---------------|---------|---------------|---------------------|--------------------------------|---------------------|----------|
| 5-85115X | 8.5C | Relube | HWD/DWT | 815300015 (4) 815300018 (4) | 1/2"-20 1/2"-20 | |
| 5-85133X | 8.5C | Relube | LWD/LWD | 815040029 (8) | 1/2"-20 | |
| 5-85211X | 8.5C | Svc. Free | HWD/HWD | 815300015 (8) | 1/2"-20 | |
| 5-9111X | 9C | Relube | HWD/HWD | 815300015 (8) | 1/2"-20 | 15-9111X |
| 5-9112X | 9C | Relube | HWD/HWT | 8-73-640 (4) 8-73-340 (4) | 1/2"-20 | |
| 5-9122X | 9C | Relube | HWT/HWT | 8-73-640 (8) | 1/2"-20 | |
| 5-9211X | 9C | Svc. Free | HWD/HWD | 815300015 (8) | 1/2"-20 | |
| 5-326X | 9C/1880 | Relube | HWD/BP | 8-73-340 (4) 7-73-315 (4) | 1/2"-20 7/16"-20 | |
| 5-327X | 9C/1880 | Relube | HWT/BP | 8-73-640 (4) 7-73-315 (4) | 1/2"-20 7/16"-20 | |
| 5-642X | 9C/1880 | Relube | HWD/BP | 8-73-3348 (4) 7-73-315 (4) | 1/2"-20 7/16"-20 | |
| 5-10111X | 10C | Relube | HWD/HWD | 815300017 (8) | 5/8"-18 | |
| 5-10211X | 10C | Svc. Free | HWD/HWD | 815300017 (8) | 5/8"-18 | |
| 5-11111X | 11C | Relube | HWD/HWD | 815300004 (8) | 3/4"-16 | |
| 5-11211X | 11C | Svc. Free | HWD/HWD | 815300004 (8) | 3/4"-16 | |
| 5-12111X | 12C | Relube | HWD/HWD | 815180001 (8) | M14-1.5 | |
| 5-12211X | 12C | Svc. Free | HWD/HWD | 815180001 (8) | M14-1.5 | |
| 5-125111X | 12.5C | Relube | HWD/HWD | 815200002 (8) | M18-1.5 | |
| 5-14111X | 14C | Relube | HWD/HWD | 814930001 (8) | M18-1.5 | |
| 5-14211X | 14C | Svc. Free | HWD/HWD | 814930001 (8) | M18-1.5 | |
| 5-145111X | 14.5C | Relube | HWD/HWD | 815220004 (8) | M22-1.5 | |
| 5-145211X | 14.5C | Svc. Free | HWD/HWD | 815220004 (8) | M22-1.5 | |
| 5-15111X | 15C | Relube | HWD/HWD | 815300007 (8) | 3/4"-16 | |
| 5-15211X | 15C | Svc. Free | HWD/HWD | 815300007 (8) | 3/4"-16 | |

Spicer Wing® Series U-Joint Kits

Product Information and Cross Reference



| | Certified | GKN / Mechanics | GMB | Meritor | Neapco | New Star | Precision |
|--|-----------|--------------------------------------|--|---------------|--------|----------|-----------|
| | | | | CP85WB-HB | | | |
| | W8575 | | | | | | |
| | | 03075885, 03076258 | | CP85WB-HWD-PL | | | |
| | W9016 | 03075319, 03075999, 114-09121A | 230-9001, 230-9015, 2309001, 2309015, G5-9001X, G5-9015X, G59001X, G59015X | CP92N-HWD | 6-9016 | S-6117 | 911 |
| | | | | | 6-9017 | | 792 |
| | | 03076003, 114-09014 | | | 6-9014 | | 793 |
| | | 03075061, 03075871, 114-09121A | | CP92N-HWD-PL | | | |
| | | | | | 6-0326 | S-7889 | 488 |
| | | | | | | | |
| | | 03078325, 03078970 | | | 6-1005 | | 485 |
| | | 03076390, 03078776 | | | | | |
| | | 03076835, 03078490 | | | | | |
| | | 03076971, 03078491 | | | 6-1191 | | |
| | | 3076946 | | | | | |
| | | 3076946 | | | | | |
| | | | | | | | |
| | | | | | | | |
| | | | | | | | |
| | | 03073381, 03073380, 114-15000 | | | | | |
| | | 3076102, 03076938 | | | | | |

| OEM Part Number | Spicer Wing Series Base Part Number | OEM Part Number | Spicer Wing Series Base Part Number | OEM Part Number | Spicer Wing Series Base Part Number | OEM Part Number | Spicer Wing Series Base Part Number |
|-----------------|-------------------------------------|-----------------|-------------------------------------|-----------------|-------------------------------------|-----------------|-------------------------------------|
| 004430076 | 612290000 | 12593350 | 612540039 | 15315284 | 612290054 | 200-7736 | 606910001 |
| 0404986 | 612370122 | 126000B-5034551 | 607630000 | 15317762 | 612370000 | 20119 | 607560000 |
| 0404987 | 612370122 | 12620462 | 612540039 | 153181 | 609750001 | 2034-00010 | 612290054 |
| 0404988 | 611290082 | 12650360 | 609050034 | 15318206 | 612290054 | 205-2026 | 612540039 |
| 0580 951.0 | 607560000 | 126-7354 | 612290054 | 15318902 | 605110080 | 208-9021 | 612290054 |
| 0582 193.0 | 612370122 | 126-7355 | 612290054 | 15318954 | 612290054 | 210492 | 608790037 |
| 0582 194 .0 | 606910001 | 1277976H91 | 605900034 | 15319260 | 612290054 | 2115532 | 608760000 |
| 0928-PP2-235 | 612290000 | 12827871 | 612540039 | 15319962 | 612530070 | 2186901 | 612370000 |
| 0928-PP2-245 | 612290000 | 129-8546-D | 612290054 | 15319963 | 612500183 | 22120 | 612370000 |
| 0928-PP2-260 | 612290000 | 1305829 | 612290000 | 15325241 | 612500301 | 22121 | 612370000 |
| 0928-PP2-275 | 612290000 | 13114444H91 | 612370122 | 153363 | 611290080 | 2213373 | 608760000 |
| 0928-PP2-455 | 612290000 | 1312218 | 612290000 | 153364 | 612500079 | 2263836 | 612540039 |
| 0928-PP2-560 | 612290000 | 1314439 H 91 | 606910001 | 153365 | 612290054 | 2268782 | 612370000 |
| 10010497 | 607550000 | 13482633 | 608790037 | 15336537 | 610810004 | 2292-628 | 612632000 |
| 10013933 | 612370000 | 13482641 | 608790037 | 15343475 | 609750001 | 2292629 | 612632000 |
| 10013934 | 612370000 | 1353981 | 612290000 | 15343480 | 612290054 | 2292-645 | 612632000 |
| 100263 | 608790037 | 1353982 | 612290000 | 15343482 | 612290054 | 2292646 | 612370000 |
| 100264 | 608790037 | 139-4568 | 612370122 | 153442 | 611290082 | 2292647 | 612370000 |
| 10060751 | 608790000 | 139-4569 | 612290054 | 153443 | 612290054 | 2303674W | 608790000 |
| 10060753 | 607630000 | 143830 | 608760000 | 153444 | 612290054 | 230-4109 | 605900034 |
| 10060755 | 612370000 | 143831 | 612370000 | 153475 | 612290054 | 230-9692 | 605900034 |
| 10064555 | 612370000 | 1439073 | 608760000 | 153-8430 | 612540039 | 230-9693 | 605900034 |
| 10065410 | 612370000 | 144-5227 | 612290054 | 155-0795 | 611290080 | 2426215 | 608760000 |
| 101828 | 608760000 | 144-5926 | 612290054 | 155-2480 | 612290000 | 2426231 | 608760000 |
| 102211 | 608790037 | 145-4771 | 612290054 | 156043 | 608790000 | 2426235 | 607550000 |
| 102212 | 608790037 | 1471724 | 612290000 | 156044 | 608790000 | 2426-339 | 602380067 |
| 107-9294 | 612370000 | 148709 | 612632000 | 162-3045 | 612290054 | 242966-249013 | 608090000 |
| 108-2655.00 | 612370000 | 15013306 | 612500028 | 166-2419 | 612290054 | 242967 | 612290000 |
| 109-41700000 | 612370000 | 15013308 | 608090000 | 171-4695 | 612540039 | 243413 | 612290000 |
| 109-41800000 | 612370000 | 15013437 | 612530078 | 172-4454 | 609750001 | 243559 | 612290000 |
| 11109962 | 612540039 | 15076938 | 612720005 | 172-4455 | 612290054 | 243560 | 612290000 |
| 11116161 | 612500028 | 15076941 | 610810044 | 172-5232 | 609050034 | 243561 | 612290000 |
| 11116162 | 608090000 | 152037 | 612370000 | 172-7634 | 612540039 | 243562 | 612290000 |
| 11116163 | 612500024 | 15251901 | 612290000 | 172-8551 | 612290054 | 243564 | 612290000 |
| 11116164 | 612500026 | 15300853 | 612290000 | 172-F3-0004 | 612370122 | 243998 | 612290000 |
| 11116165 | 607630000 | 15300854 | 612290000 | 172-F3-0006 | 612370122 | 245763 | 612290000 |
| 11116166 | 612290000 | 15300861 | 612370000 | 172-F3-0007 | 612370122 | 245-9165 | 612290054 |
| 11116167 | 612290000 | 15300862 | 612290000 | 174-0080 | 612290054 | 2479280 | 612290000 |
| 11116170 | 612530078 | 15307829 | 612290000 | 174-0084 | 612290054 | 249853 | 612290000 |
| 111573 | 608760000 | 15311238 | 608760000 | 174-4019 | 612290054 | 254-3304 | 605270006 |
| 112-00065A | 607630000 | 15311239 | 612290000 | 1768151 | 612290054 | 258853A2 | 605360084 |
| 112-00082A | 612370000 | 15311240 | 608760000 | 1771028 | 612290054 | 259074A1 | 605360084 |
| 112-00090 | 612290000 | 15311343 | 612370000 | 1771636 | 612290054 | 260-00012 | 612632000 |
| 1122471C91 | 608760000 | 15311563 | 612370122 | 1771637 | 612290054 | 260-00066A | 602380067 |
| 112462 | 608760000 | 15311564 | 612500096 | 1771717 | 612290054 | 263G3-30021 | 606910001 |
| 11302252 | 612720005 | 15311565 | 612290054 | 18362101/1 | 612370122 | 263G3-37131 | 612370122 |
| 11302284 | 610810044 | 15311834 | 612370122 | 184-6766 | 612540039 | 263J3-30111 | 612500090 |
| 114257-51400 | 608760000 | 15311835 | 612370122 | 184-6767 | 612290054 | 263J3-37211 | 612290054 |
| 1209507H91 | 605120014 | 15311838 | 612370122 | 186-6356 | 612500183 | 26750 | 612370000 |
| 122589C | 612370000 | 15311840 | 612500093 | 187-1499 | 611290080 | 27243 | 608790000 |
| 122600A | 612370000 | 15311841 | 612290054 | 187-2676 | 612290054 | 290094 | 606910001 |
| 122638 | 608790000 | 15311842 | 612370122 | 187-2677 | 612540039 | 290114 | 612370122 |
| 123368B | 608790000 | 15311843 | 612500079 | 188-0866 | 612540039 | 290118 | 612370122 |
| 125389 | 608760000 | 15311844 | 612370122 | 188-0867 | 612530035 | 290119 | 612370122 |
| 12586355 | 612540039 | 15312124 | 612500146 | 198-9822 | 612370122 | 290136 | 612370000 |
| 12587061 | 612540039 | 15312125 | 612290054 | 19WL050000010 | 612632000 | 290139 | 612290054 |
| 125-9176 | 612370122 | 15312126 | 612370122 | 2001056 | 608760000 | 290229-290582 | 612290054 |
| 125-9177 | 612370122 | 15313379 | 612370000 | 200-7735 | 612370122 | 290261 | 609750001 |

OEM to Spicer Interchange

| OEM Part Number | Spicer Wing Series Base Part Number | OEM Part Number | Spicer Wing Series Base Part Number | OEM Part Number | Spicer Wing Series Base Part Number | OEM Part Number | Spicer Wing Series Base Part Number |
|-----------------|-------------------------------------|-----------------|-------------------------------------|-----------------|-------------------------------------|-----------------|-------------------------------------|
| 290262 | 612290124 | 315-1670 | 609050034 | 423-20-32510 | 612290000 | 480000167 | 612290054 |
| 290263 | 612290054 | 315-6180 | 609050034 | 423-20-H2110 | 612370000 | 480000170 | 608790037 |
| 290289 | 606910001 | 315-6181 | 612540039 | 425-20-32132 | 612530133 | 480000176 | 612370000 |
| 290297 | 612370122 | 3210U6D2 | 612290000 | 425-20-33122 | 612530134 | 480000177 | 612370122 |
| 290298 | 612370122 | 328-9786 | 612290054 | 425-20-34141 | 612530135 | 480000180 | 612290054 |
| 290299 | 612370122 | 32B-20-3111A | 608790000 | 425-20-A2510 | 608090000 | 480000184 | 612290000 |
| 290304 | 612500096 | 332/S7340 | 609750001 | 426-20-23110 | 609050048 | 480000185 | 612290000 |
| 290326 | 612290054 | 332/S8227 | 608790037 | 426-20-31121 | 612340020 | 480000190 | 612290000 |
| 290328 | 612540039 | 332/T7271 | 612500096 | 426-20-32111 | 610810070 | 480000192 | 608790000 |
| 290342 | 612370122 | 332/W8184 | 612290054 | 426-20-33112 | 609050048 | 480000197 | 612370000 |
| 290343 | 612370122 | 333/S3018 | 612290054 | 426-20-34121 | 609050051 | 480000201 | 612370122 |
| 290346 | 612370122 | 340-0442 | 605270006 | 427-20-11310 | 609050051 | 480000202 | 608790037 |
| 290424 | 608790037 | 350-3062 | 612540039 | 428-20-11120 | 610810004 | 480000213 | 612500024 |
| 290440 | 612290054 | 355 PZ 91088 | 612370000 | 4330020 | 608760000 | 480000214 | 612500026 |
| 290447 | 612370000 | 355 PZ 91096 | 607550000 | 4330022 | 612370000 | 480000215 | 612500028 |
| 290458 | 612500183 | 355-1301 | 612370122 | 4330028 | 612370000 | 480000237 | 612632000 |
| 290476 | 608760000 | 366-2726 | 609050034 | 439205154 | 612290000 | 480000242 | 608790000 |
| 290476 | 612370000 | 370-8767 | 612290054 | 439205155 | 612500024 | 480000243 | 608790000 |
| 290479 | 612290000 | 375-PZ-02021 | 612632000 | 4515-236 | 612500026 | 480000245 | 608790000 |
| 290485 | 612290054 | 380-1407 | 612370122 | 4553396 | 612370122 | 480000276 | 612860000 |
| 290487 | 612370000 | 382843A1 | 612500079 | 4571705 | 612632000 | 490001138 | 608760000 |
| 290493 | 612290054 | 384-7759 | 612540039 | 4613600M91 | 612632000 | 490001159 | 612370122 |
| 290494 | 608760000 | 3865182 | 612530070 | 480000000 | 612370122 | 490001160 | 612370122 |
| 290504 | 612370000 | 388341-12001 | 612370122 | 480000003 | 607630000 | 490001209 | 612370122 |
| 290561 | 612370122 | 3884083 | 612500183 | 480000005 | 605120014 | 490001220 | 612290054 |
| 290593 | 612500079 | 3889350 | 612290054 | 480000023 | 609050034 | 500337460EZ | 612290000 |
| 290603/A | 612370122 | 3889351 | 612290054 | 480000028 | 608090000 | 500360199EZ | 612290000 |
| 290661 | 612370000 | 3889352 | 612290054 | 480000077 | 612290000 | 500386706EZ | 612500028 |
| 290665 | 612500217 | 3889353 | 612290054 | 480000078 | 612290000 | 500406489EZ | 612540039 |
| 290900 | 612370268 | 3889353 | 612290054 | 480000081 | 612500024 | 500406491EZ | 612290054 |
| 290901 | 612290000 | 389341-11001 | 612500079 | 480000082 | 612290000 | 500406492EZ | 612290054 |
| 290902 | 612370000 | 389341-12001 | 612290054 | 480000084 | 612370000 | 500406559EZ | 612370122 |
| 290903 | 612370000 | 390-0443 | 605270006 | 480000085 | 612290000 | 500406561EZ | 609750001 |
| 290905 | 612370000 | 3904201 | 608760000 | 480000086 | 612290000 | 500417635 | 612290054 |
| 290906 | 612370000 | 3904351 | 608760000 | 480000087 | 612290000 | 500423646EZ | 612290054 |
| 290907 | 612290284 | 3909001 | 608760000 | 480000088 | 612290000 | 500424268 | 611290082 |
| 290908 | 612370000 | 3909241 | 608790000 | 480000089 | 612290000 | 500432461 | 612290054 |
| 290909 | 612370000 | 3909352 | 612370000 | 480000090 | 612290000 | 500824 | 612290054 |
| 290910 | 612290000 | 3909431 | 608760000 | 480000091 | 612290000 | 500825 | 612290054 |
| 290911 | 612500028 | 3909511 | 608790000 | 480000101 | 608790000 | 500826 | 612290054 |
| 290911 | 612500028 | 392648A1 | 609750001 | 480000103 | 612370000 | 500827 | 612290054 |
| 290912 | 608090000 | 392649A1 | 612290054 | 480000104 | 607630000 | 5022864 | 608760000 |
| 290913 | 612500024 | 392652A1 | 612370122 | 480000109 | 608790000 | 5025116 | 602380135 |
| 290914 | 607630000 | 392654A1 | 612370122 | 480000110 | 612290000 | 5025750 | 607550000 |
| 290916 | 607560000 | 3M4617340 | 608760000 | 480000114 | 612643000 | 5028384 | 612632000 |
| 290920 | 612370000 | 40590039 | 608790000 | 480000130 | 608760000 | 5028702 | 608790000 |
| 299-2192 | 612860000 | 406420001 | 609050034 | 480000131 | 608760000 | 5028703 | 612632000 |
| 2U 6628-03 | 612500024 | 415B050000019 | 602880203 | 480000132 | 608760000 | 5028767 | 612370000 |
| 2U 8555-01 | 612370000 | 415C070000006 | 611290080 | 480000136 | 612825001 | 5028768 | 612370000 |
| 2U 8558-01 | 612370000 | 415D070000007 | 612370122 | 480000138 | 612290000 | 5028911 | 612632000 |
| 2U 8560 | 612370000 | 417-20-A1110 | 608790000 | 480000148 | 608760000 | 5036788 | 612370000 |
| 2U8550.01 | 612290000 | 418-20-32111 | 612632000 | 480000149 | 608760000 | 5037560 | 608760000 |
| 2U8551.02 | 612290000 | 418-20-32190 | 612632000 | 480000150 | 608760000 | 504036227EZ | 612290000 |
| 2U8552.01 | 612290000 | 419-20-22100 | 612632000 | 480000151 | 602380067 | 504036763EB | 607560000 |
| 2U8767.01 | 612290000 | 419-20-H2100 | 612632000 | 480000154 | 612290000 | 5041638 | 612632000 |
| 2X2309 | 605120014 | 423-20-12112 | 612370000 | 480000157 | 612370122 | 5043809 | 612370000 |
| 303-2504 | 612860000 | 423-20-32111 | 612370000 | 480000160 | 612290000 | 5043810 | 612370000 |
| 310-4849 | 612290054 | 423-20-32211 | 612370000 | 480000166 | 608790000 | 5045076 | 608760000 |

| OEM Part Number | Spicer Wing Series Base Part Number | OEM Part Number | Spicer Wing Series Base Part Number | OEM Part Number | Spicer Wing Series Base Part Number | OEM Part Number | Spicer Wing Series Base Part Number |
|-----------------|-------------------------------------|-----------------|-------------------------------------|-----------------|-------------------------------------|-----------------|-------------------------------------|
| 5048359 | 608760000 | 586544 | 612290000 | 602930058 | 612370000 | 606910029 | 606910001 |
| 5049392 | 608790000 | 59224543 | 608790037 | 602930059 | 612370000 | 606910035 | 606910001 |
| 5049395 | 644120010 | 59224550 | 608790037 | 603450009 | 612632000 | 606920000 | 612370000 |
| 5049539 | 612632000 | 59255612 | 608790037 | 603820009 | 608760000 | 606920002 | 612370000 |
| 5053097 | 612370122 | 5949780788 | 612500093 | 604310020 | 608790000 | 606980006 | 612290000 |
| 5068453 | 644120010 | 5949782086 | 612540039 | 604310021 | 608790000 | 606980008 | 612290000 |
| 5068490 | 611290080 | 5U 2027 | 612290000 | 604310022 | 608790000 | 606990000 | 607630000 |
| 5078841 | 612632000 | 600770002 | 600770004 | 604310023 | 608790000 | 607010000 | 608760000 |
| 5194618 | 608760000 | 60139697 | 608790000 | 605110070 | 605110067 | 607250007 | 612632000 |
| 5198218 | 612632000 | 601790046 | 608790000 | 605110081 | 605110080 | 607250009 | 612632000 |
| 5212796 | 612290054 | 601790047 | 608790000 | 605110100 | 605110098 | 607250013 | 612632000 |
| 5212845 | 609750001 | 602380079 | 602380067 | 605110103 | 605110101 | 607250014 | 612632000 |
| 5213122 | 612290054 | 602380101 | 602380098 | 605120002 | 605120014 | 607250015 | 612632000 |
| 5215990 | 612370122 | 602380102 | 602380098 | 605120004 | 605120014 | 607250017 | 612632000 |
| 5216001 | 612370122 | 602380103 | 602380098 | 605120010 | 605120014 | 607250021 | 612632000 |
| 5216006 | 612370122 | 602380104 | 602380098 | 605120012 | 605120014 | 607250028 | 612632000 |
| 5219105 | 612290054 | 602380107 | 602380098 | 605120013 | 605120014 | 607260002 | 608790000 |
| 528874 | 612290054 | 602380114 | 602380098 | 605120016 | 605120014 | 607260006 | 608790000 |
| 528875 | 612540039 | 602380141 | 602380098 | 605120075 | 605120014 | 607260020 | 608790000 |
| 528877 | 612290054 | 602380159 | 602380067 | 605120076 | 605120014 | 607260022 | 608790000 |
| 528878 | 612500090 | 602380165 | 602380163 | 605180001 | 607550000 | 607260029 | 608790000 |
| 528879 | 612290054 | 602390007 | 608760000 | 605270008 | 605270006 | 607260061 | 608790000 |
| 528880 | 612540039 | 602390015 | 608760000 | 605270009 | 605270006 | 607260065 | 608790000 |
| 528881 | 612290054 | 602390031 | 608760000 | 605270010 | 605270006 | 607260072 | 608790000 |
| 5400010071 | 612290054 | 602390040 | 608760000 | 605360081 | 605360084 | 607260073 | 608790000 |
| 5410Q11D1 | 612370122 | 602390041 | 608760000 | 605360106 | 605360084 | 607260076 | 608790000 |
| 5410Q20 | 612370000 | 602390056 | 608760000 | 605360107 | 605360084 | 607260077 | 608790000 |
| 543007-EE | 608790000 | 602390065 | 608760000 | 605360127 | 605360084 | 607260078 | 608790000 |
| 543008-EE | 612290000 | 602390066 | 608760000 | 605360128 | 605360084 | 607260079 | 608790000 |
| 543009-EE | 612290000 | 602390068 | 608760000 | 605360129 | 605360084 | 607260080 | 608790000 |
| 543010-EE | 612290000 | 602390073 | 608760000 | 605360130 | 605360084 | 607260082 | 608790000 |
| 54468095 | 608790037 | 602390075 | 608760000 | 605390004 | 607550000 | 607260085 | 608790000 |
| 54468103 | 608790037 | 602390076 | 608760000 | 605650000 | 607630000 | 607260086 | 608790000 |
| 54478219 | 608790037 | 602390086 | 608760000 | 605900022 | 605900034 | 607260087 | 608790000 |
| 54478516 | 608790037 | 602390088 | 608760000 | 605900033 | 605900034 | 607260088 | 605360084 |
| 54478565 | 608790037 | 602390089 | 608760000 | 605900035 | 605900034 | 607260093 | 608790000 |
| 54479878 | 608790037 | 602570030 | 608790000 | 605900036 | 605900034 | 607260095 | 605360084 |
| 54568522 | 608790037 | 602570034 | 608790000 | 605900041 | 605900034 | 607260096 | 608790000 |
| 54568837 | 608790037 | 602810003 | 607550000 | 606070000 | 612632000 | 607360000 | 612290000 |
| 54568845 | 608790037 | 602810008 | 607560000 | 606071 | 608790000 | 607450006 | 607450003 |
| 550006-EE | 608790000 | 602810009 | 607630000 | 606090000 | 607630000 | 607530034 | 612540039 |
| 5572265100 | 611290082 | 602810014 | 607560000 | 606100000 | 612370000 | 607550002 | 607550000 |
| 5574677800 | 612370122 | 602810037 | 607550000 | 606230030 | 607630000 | 607550005 | 607550000 |
| 557591800 | 612290054 | 602810060 | 607560000 | 606230031 | 607630000 | 607550010 | 611290080 |
| 558411-EE | 612290000 | 602810068 | 607560000 | 606530000 | 608790000 | 607550013 | 607550000 |
| 561-20-A1140 | 612825001 | 602880161 | 612370000 | 606540000 | 612370000 | 607550022 | 607550000 |
| 56649167 | 608760000 | 602880181 | 607560000 | 606550000 | 612370000 | 607560002 | 607560000 |
| 569-20-72000 | 612825001 | 602880187 | 607560000 | 606580006 | 606580004 | 607560003 | 607560000 |
| 56B-20-15900 | 612290000 | 602880205 | 602880203 | 606580012 | 606580004 | 607560016 | 607560000 |
| 56B-20-2590B | 612290000 | 602880209 | 602880203 | 606580013 | 606580004 | 607560019 | 607560000 |
| 56C-20-15900 | 612290000 | 602880213 | 602880203 | 606590001 | 612643000 | 607560022 | 607560000 |
| 56D-20-14001 | 612290000 | 602900170 | 608760000 | 606790000 | 612632000 | 607590000 | 608790000 |
| 56D-20-14900 | 612290000 | 602900176 | 608760000 | 606800000 | 608760000 | 607630004 | 607630000 |
| 56D-20-21000 | 612643000 | 602900201 | 608760000 | 606820000 | 612632000 | 607630032 | 607630000 |
| 56E-20-22900 | 607560000 | 602900205 | 608760000 | 606870000 | 607550000 | 607860031 | 607860035 |
| 56E-20-24900 | 612290000 | 602930022 | 612370000 | 606910000 | 606910001 | 608340000 | 612370000 |
| 56E-20-24901 | 612290000 | 602930024 | 612370000 | 606910004 | 606910001 | 608580000 | 608790000 |
| 576839 | 612290000 | 602930047 | 612370000 | 606910012 | 607560000 | 608610000 | 612370000 |

OEM to Spicer Interchange

| OEM Part Number | Spicer Wing Series Base Part Number | OEM Part Number | Spicer Wing Series Base Part Number | OEM Part Number | Spicer Wing Series Base Part Number | OEM Part Number | Spicer Wing Series Base Part Number |
|-----------------|-------------------------------------|-----------------|-------------------------------------|-----------------|-------------------------------------|-----------------|-------------------------------------|
| 608790011 | 608790000 | 609050017 | 609050051 | 610520080 | 608760000 | 611290215 | 607560000 |
| 608790015 | 608790000 | 609050022 | 609050048 | 610520081 | 608760000 | 611290227 | 611290080 |
| 608790016 | 608790000 | 609050029 | 609050034 | 610520082 | 608760000 | 611290237 | 607560000 |
| 608790017 | 608790000 | 609050035 | 609050034 | 610520083 | 608760000 | 611310057 | 611310101 |
| 608790019 | 608790000 | 609050076 | 609050034 | 610520085 | 608760000 | 611310058 | 611310101 |
| 608790020 | 608790000 | 609050078 | 609050034 | 610520086 | 608760000 | 611310075 | 611310101 |
| 608790021 | 608790000 | 609050080 | 609050048 | 610520087 | 608760000 | 611310076 | 611310101 |
| 608790022 | 608790000 | 609050084 | 609050051 | 610520088 | 608760000 | 611310096 | 611310101 |
| 608790023 | 608790000 | 609050089 | 609050034 | 610520089 | 608760000 | 611320045 | 611320042 |
| 608790026 | 608790000 | 609050091 | 609050034 | 610520119 | 608760000 | 611320046 | 611320042 |
| 608790028 | 608790033 | 609050092 | 609050034 | 610520125 | 602380137 | 611320049 | 611320042 |
| 608790031 | 608790000 | 609050093 | 609050034 | 610520126 | 608760000 | 611320056 | 611320042 |
| 608790032 | 608790000 | 609050105 | 609050034 | 610520128 | 608760000 | 611320062 | 611320042 |
| 608790035 | 608790033 | 6091394 | 612540039 | 610520131 | 608760000 | 611380029 | 611380005 |
| 608790040 | 608790037 | 609180000 | 612370000 | 610520132 | 608760000 | 611540003 | 608760000 |
| 608790046 | 608790037 | 609310001 | 602380067 | 610520134 | 608760000 | 611940007 | 608790000 |
| 608790047 | 608790037 | 609330000 | 607560000 | 610520135 | 608760000 | 611940008 | 608790000 |
| 608790048 | 608790037 | 609360003 | 608790000 | 610520138 | 608760000 | 611940009 | 608790000 |
| 608790049 | 608790037 | 609380002 | 607560000 | 610740000 | 612632000 | 612100001 | 612632000 |
| 608790050 | 608790037 | 609420000 | 608760000 | 610810003 | 610810004 | 612260001 | 612290054 |
| 608790051 | 608790037 | 6094443 | 612540039 | 610810007 | 610810004 | 612290007 | 612290000 |
| 608790053 | 608790037 | 609500012 | 609750001 | 610810009 | 610810004 | 612290011 | 612290000 |
| 608790054 | 608790037 | 609500193 | 609750001 | 610810035 | 610810070 | 612290015 | 612290054 |
| 608790055 | 608790037 | 609630013 | 608760000 | 610810046 | 610810044 | 612290018 | 612290054 |
| 608790056 | 608790037 | 609630021 | 608760000 | 610810051 | 610810004 | 612290026 | 612290000 |
| 608790057 | 608790037 | 609630022 | 608760000 | 610810055 | 610810044 | 612290030 | 612290000 |
| 608790058 | 608790037 | 6097155 | 612370122 | 610910005 | 612370000 | 612290031 | 612290000 |
| 608790059 | 608790037 | 609740000 | 612370122 | 610910020 | 612370000 | 612290032 | 612290000 |
| 608790060 | 608790037 | 609750000 | 609750001 | 611290010 | 607630000 | 612290038 | 612290000 |
| 608790061 | 608790037 | 609750004 | 609750001 | 611290013 | 607560000 | 612290039 | 612290000 |
| 608790062 | 608790037 | 609750006 | 609750001 | 611290018 | 606910001 | 612290040 | 612290000 |
| 608790063 | 608790037 | 609750008 | 609750001 | 611290029 | 611290080 | 612290041 | 612290000 |
| 608790064 | 608790037 | 609750010 | 609750001 | 611290040 | 611290082 | 612290043 | 612290000 |
| 608790065 | 608790037 | 609750013 | 609750001 | 611290043 | 611290082 | 612290044 | 612290000 |
| 608790066 | 608790037 | 609900001 | 612290000 | 611290050 | 607550000 | 612290049 | 612290054 |
| 608790067 | 608790037 | 610080000 | 612370000 | 611290055 | 607560000 | 612290050 | 612290000 |
| 608790070 | 608790000 | 610150000 | 610810004 | 611290056 | 606910001 | 612290052 | 612290054 |
| 608790074 | 608790072 | 610330000 | 608790000 | 611290057 | 606910001 | 612290053 | 612290054 |
| 608790075 | 608790037 | 610340000 | 608790000 | 611290060 | 611290082 | 612290054-108M | 612290054 |
| 608790079 | 608790000 | 610520004 | 608760000 | 611290062 | 612370122 | 612290054-253M | 612290054 |
| 608790081 | 608790037 | 610520006 | 608760000 | 611290063 | 606910001 | 612290054-520M | 612290054 |
| 608790082 | 608790000 | 610520010 | 608760000 | 611290070 | 607560000 | 612290054-65M | 612290054 |
| 608790085 | 608790037 | 610520011 | 608760000 | 611290078 | 611290080 | 612290054-680M | 612290054 |
| 608790086 | 608790000 | 610520013 | 608760000 | 611290117 | 606910001 | 612290054-706M | 612290054 |
| 608790087 | 608790000 | 610520023 | 608760000 | 611290131 | 606910001 | 612290055 | 612290054 |
| 608790090 | 608790037 | 610520028 | 608760000 | 611290132 | 607550000 | 612290056 | 612290054 |
| 608790091 | 608790037 | 610520030 | 608760000 | 611290143 | 607560000 | 612290057 | 612290054 |
| 608790093 | 608790000 | 610520036 | 608760000 | 611290147 | 611290080 | 612290058 | 612290000 |
| 608790094 | 608790000 | 610520043 | 608760000 | 611290148 | 607560000 | 612290065 | 612290000 |
| 608790096 | 608790000 | 610520044 | 608760000 | 611290151 | 611290080 | 612290067 | 612290000 |
| 608790098 | 608790037 | 610520051 | 608760000 | 611290162 | 611290080 | 612290069 | 612290000 |
| 608790101 | 608790037 | 610520058 | 608760000 | 611290180 | 611290082 | 612290070 | 612290000 |
| 608790103 | 608790000 | 610520061 | 608760000 | 611290184 | 606910001 | 612290073 | 612290054 |
| 608790104 | 608790000 | 610520064 | 608760000 | 611290186 | 611290082 | 612290075 | 612290054 |
| 608790106 | 608790037 | 610520065 | 608760000 | 611290191 | 611290080 | 612290078 | 612290000 |
| 608790107 | 608790109 | 610520066 | 608760000 | 611290203 | 607560000 | 612290079 | 612290054 |
| 608900000 | 605120014 | 610520070 | 608760000 | 611290205 | 607630000 | 612290080 | 612290054 |
| 609000000 | 608790000 | 610520077 | 608760000 | 611290210 | 606910001 | 612290081 | 612290054 |

| OEM Part Number | Spicer Wing Series Base Part Number | OEM Part Number | Spicer Wing Series Base Part Number | OEM Part Number | Spicer Wing Series Base Part Number | OEM Part Number | Spicer Wing Series Base Part Number |
|-----------------|-------------------------------------|-----------------|-------------------------------------|-----------------|-------------------------------------|-----------------|-------------------------------------|
| 612290082 | 612290000 | 612290236 | 612290054 | 612290340 | 612290054 | 612370198 | 612370122 |
| 612290083 | 612290054 | 612290238 | 612290000 | 612290346 | 612290000 | 612370199 | 612370122 |
| 612290084 | 612290054 | 612290240 | 612290000 | 612290350 | 612290206 | 612370200 | 612370122 |
| 612290085 | 612290000 | 612290241 | 612290054 | 612340022 | 612340020 | 612370202 | 612370122 |
| 612290087 | 612290000 | 612290245 | 612290054 | 612340025 | 612530135 | 612370204 | 612370122 |
| 612290088 | 612290000 | 612290247 | 612290000 | 612370003 | 612370000 | 612370212 | 612370000 |
| 612290089 | 612290000 | 612290249 | 612290054 | 612370008 | 612370000 | 612370214 | 612370122 |
| 612290090 | 612290000 | 612290251 | 612290054 | 612370013 | 612370122 | 612370215 | 612370122 |
| 612290091 | 612290000 | 612290252 | 612290054 | 612370031 | 612370000 | 612370217 | 612370122 |
| 612290092 | 612290000 | 612290254 | 612290054 | 612370038 | 612370000 | 612370218 | 612370122 |
| 612290093 | 612290054 | 612290256 | 612290054 | 612370041 | 612370000 | 612370219 | 612370122 |
| 612290094 | 612290054 | 612290258 | 612290054 | 612370045 | 612370000 | 612370220 | 612370122 |
| 612290095 | 612290054 | 612290259 | 612290000 | 612370051 | 612370000 | 612370221 | 612370122 |
| 612290096 | 612290054 | 612290260 | 612290000 | 612370077 | 612370122 | 612370225 | 612370122 |
| 612290097 | 612290000 | 612290264 | 612290000 | 612370078 | 612370122 | 612370229 | 612370122 |
| 612290099 | 612290054 | 612290265 | 612290000 | 612370080 | 612370000 | 612370234 | 612370122 |
| 612290100 | 612290054 | 612290266 | 612290000 | 612370081 | 612370000 | 612370235 | 612370122 |
| 612290103 | 612290054 | 612290267 | 612290000 | 612370082 | 612370000 | 612370236 | 612370122 |
| 612290111 | 612290000 | 612290270 | 612290000 | 612370083 | 612370000 | 612370244 | 612370122 |
| 612290113 | 612290054 | 612290272 | 612290000 | 612370084 | 612370000 | 612370248 | 612370000 |
| 612290115 | 612290054 | 612290273 | 612290054 | 612370088 | 612370000 | 612370251 | 612370000 |
| 612290117 | 612290000 | 612290274 | 612290054 | 612370092 | 612370122 | 612370256 | 612370122 |
| 612290121 | 612290054 | 612290275 | 612290000 | 612370110 | 612370000 | 612370257 | 612370122 |
| 612290123 | 612290054 | 612290276 | 612290000 | 612370112 | 612370122 | 612370259 | 612370000 |
| 612290132 | 612290054 | 612290277 | 612290054 | 612370113 | 612370000 | 612370260 | 612370000 |
| 612290134 | 612290054 | 612290278 | 612290054 | 612370118 | 612370122 | 612370270 | 612370268 |
| 612290135 | 612290054 | 612290279 | 612290054 | 612370119 | 612370122 | 612370277 | 612370000 |
| 612290136 | 612290054 | 612290280 | 612290054 | 612370121 | 612370000 | 612370278 | 612370122 |
| 612290138 | 612290124 | 612290282 | 612290000 | 612370124 | 612370122 | 612370280 | 612370122 |
| 612290142 | 612290054 | 612290283 | 612290000 | 612370125 | 612370000 | 612370282 | 612370000 |
| 612290144 | 612290000 | 612290286 | 612290000 | 612370129 | 612370000 | 612370283 | 612370122 |
| 612290145 | 612290000 | 612290288 | 612290284 | 612370132 | 612370000 | 612370284 | 612370122 |
| 612290148 | 612290054 | 612290289 | 612290000 | 612370133 | 612370000 | 612370285 | 612370122 |
| 612290155 | 612290000 | 612290290 | 612290000 | 612370138 | 612370122 | 612370286 | 612370268 |
| 612290159 | 612290054 | 612290292 | 612290054 | 612370139 | 612370122 | 612370286 | 612370268 |
| 612290161 | 612290054 | 612290293 | 612290000 | 612370149 | 612370000 | 612370287 | 612370000 |
| 612290170 | 612290054 | 612290297 | 612290000 | 612370150 | 612370000 | 612370299 | 612370122 |
| 612290171 | 612290054 | 612290305 | 612290000 | 612370151 | 612370000 | 612370303 | 612370000 |
| 612290172 | 612290054 | 612290307 | 612290054 | 612370152 | 612370000 | 612370306 | 612370000 |
| 612290173 | 612290000 | 612290308 | 612290054 | 612370153 | 612370000 | 612370307 | 612370122 |
| 612290181 | 612290054 | 612290310 | 612290000 | 612370156 | 612370122 | 612370308 | 612370122 |
| 612290182 | 612290054 | 612290312 | 612290000 | 612370157 | 612370000 | 612370312 | 612370310 |
| 612290186 | 612290000 | 612290313 | 612290054 | 612370158 | 612370000 | 612370315 | 612370000 |
| 612290190 | 612290054 | 612290316 | 612290314 | 612370162 | 612370000 | 612370316 | 612370122 |
| 612290196 | 612290054 | 612290317 | 612290314 | 612370163 | 612370000 | 612370317 | 612370122 |
| 612290202 | 612290000 | 612290320 | 612290054 | 612370164 | 612370122 | 612370318 | 612370000 |
| 612290203 | 612290000 | 612290321 | 612290054 | 612370165 | 612370122 | 612370320 | 612370122 |
| 612290207 | 612290206 | 612290323 | 612290054 | 612370166 | 612370122 | 612370321 | 612370122 |
| 612290212 | 612290000 | 612290324 | 612290054 | 612370167 | 612370122 | 612370322 | 612370122 |
| 612290214 | 612290054 | 612290325 | 612290054 | 612370173 | 612370000 | 612370323 | 612370122 |
| 612290217 | 612290054 | 612290326 | 612290054 | 612370177 | 612370122 | 612370324 | 612370122 |
| 612290218 | 612290054 | 612290327 | 612290000 | 612370178 | 612370122 | 612370329 | 612370000 |
| 612290221 | 612290054 | 612290329 | 612290054 | 612370186 | 612370000 | 612370346 | 612370122 |
| 612290228 | 612290000 | 612290330 | 612290054 | 612370187 | 612370000 | 612370348 | 612370122 |
| 612290229 | 612290054 | 612290331 | 612290054 | 612370188 | 612370122 | 612370350 | 612370000 |
| 612290233 | 612290054 | 612290333 | 612290000 | 612370189 | 612370122 | 612370352 | 612370000 |
| 612290234 | 612290054 | 612290338 | 612290054 | 612370190 | 612370122 | 612370353 | 612370122 |
| 612290235 | 612290054 | 612290339 | 612290054 | 612370196 | 612370122 | 612370354 | 612370000 |

| OEM Part Number | Spicer Wing Series Base Part Number | OEM Part Number | Spicer Wing Series Base Part Number | OEM Part Number | Spicer Wing Series Base Part Number | OEM Part Number | Spicer Wing Series Base Part Number |
|-----------------|-------------------------------------|-----------------|-------------------------------------|-----------------|-------------------------------------|-----------------|-------------------------------------|
| 612370357 | 612370000 | 612370445 | 612370000 | 612500258 | 612500079 | 612540154 | 612540039 |
| 612370359 | 612370000 | 612370450 | 612370000 | 612500260 | 612500093 | 612540155 | 612540039 |
| 612370361 | 612370122 | 612370451 | 612370000 | 612500262 | 612500217 | 612540165 | 612540039 |
| 612370362 | 612370122 | 612370453 | 612370000 | 612500264 | 612500028 | 612540183 | 612540039 |
| 612370363 | 612370122 | 612370455 | 612370000 | 612500282 | 612500146 | 612540187 | 612540039 |
| 612370364 | 612370122 | 612370457 | 612370000 | 612500283 | 612500026 | 612540191 | 612540039 |
| 612370365 | 612370000 | 612370458 | 612370000 | 612500287 | 612500024 | 612540192 | 612540039 |
| 612370366 | 612370122 | 612370461 | 612370268 | 612500292 | 612500024 | 612540194 | 612540039 |
| 612370368 | 612370000 | 612370462 | 612370268 | 612500294 | 612500028 | 612611001 | 612290000 |
| 612370370 | 612370122 | 612370463 | 612370268 | 612500303 | 612500301 | 612611002 | 612290000 |
| 612370371 | 612370122 | 612370464 | 612370268 | 612500305 | 612500093 | 612611003 | 612290000 |
| 612370376 | 612370122 | 612370465 | 612370000 | 612500310 | 612500096 | 612611004 | 612290000 |
| 612370378 | 612370122 | 612370467 | 612370000 | 612500316 | 612500026 | 612611005 | 612290054 |
| 612370379 | 612370122 | 612500001 | 612500024 | 612500320 | 612500093 | 612611006 | 612290054 |
| 612370382 | 612370000 | 612500002 | 612500024 | 612500323 | 612500028 | 612611007 | 612290054 |
| 612370383 | 612370000 | 612500003 | 612500024 | 612500342 | 612500090 | 612611008 | 612290054 |
| 612370385 | 612370000 | 612500007 | 612500026 | 612500344 | 612500096 | 612611009 | 612290054 |
| 612370386 | 612370122 | 612500012 | 612500079 | 612500352 | 612500090 | 612611010 | 612290054 |
| 612370387 | 612370122 | 612500013 | 612500026 | 612510198 | 612540039 | 612611011 | 612290054 |
| 612370389 | 612370122 | 612500016 | 612500079 | 612530001 | 608090000 | 612611012 | 612290054 |
| 612370390 | 612370122 | 612500020 | 612500028 | 612530009 | 608090000 | 612611013 | 612290054 |
| 612370391 | 612370000 | 612500038 | 612500024 | 612530010 | 608090000 | 612613004 | 602380135 |
| 612370393 | 612370000 | 612500040 | 612500079 | 612530020 | 608090000 | 612615003 | 612290000 |
| 612370394 | 612370000 | 612500047 | 612500217 | 612530029 | 608090000 | 612617001 | 612370000 |
| 612370395 | 612370000 | 612500049 | 612500024 | 612530032 | 612530078 | 612617002 | 612370000 |
| 612370396 | 612370000 | 612500050 | 612290054 | 612530038 | 612530035 | 612617003 | 612370000 |
| 612370397 | 612370000 | 612500052 | 612500024 | 612530039 | 608090000 | 612627002 | 607550000 |
| 612370398 | 612370000 | 612500053 | 612500026 | 612530056 | 608090000 | 612632001 | 612632000 |
| 612370400 | 612370268 | 612500055 | 612500096 | 612530072 | 612530070 | 612632003 | 612632000 |
| 612370406 | 612370000 | 612500056 | 612500024 | 612530080 | 612530078 | 612632004 | 612632000 |
| 612370408 | 612370000 | 612500057 | 612500026 | 612530081 | 608090000 | 612632005 | 612632000 |
| 612370410 | 612370000 | 612500058 | 612500028 | 612530099 | 608090000 | 612632008 | 612632000 |
| 612370412 | 612370122 | 612500064 | 612290000 | 612530103 | 608090000 | 612632014 | 612632000 |
| 612370414 | 612370000 | 612500070 | 609750001 | 612530115 | 612530134 | 612632015 | 612632000 |
| 612370415 | 612370000 | 612500071 | 612500183 | 612530118 | 612530133 | 612632016 | 612632000 |
| 612370416 | 612370000 | 612500073 | 612500028 | 612530139 | 612530070 | 612632024 | 612632000 |
| 612370417 | 612370000 | 612500082 | 612500079 | 612540012 | 612540039 | 612632044 | 612632000 |
| 612370418 | 612370122 | 612500092 | 612500090 | 612540034 | 612540039 | 612632049 | 612632000 |
| 612370419 | 612370000 | 612500100 | 612500093 | 612540037 | 612540039 | 612632050 | 612632000 |
| 612370421 | 612370122 | 612500130 | 612500096 | 612540038 | 612540039 | 612632052 | 612632000 |
| 612370423 | 612370000 | 612500133 | 609750001 | 612540045 | 612540039 | 612632055 | 612632000 |
| 612370424 | 612370122 | 612500134 | 612500093 | 612540050 | 612540039 | 612632056 | 612632000 |
| 612370425 | 612370122 | 612500136 | 612500079 | 612540051 | 612540039 | 612632059 | 612632000 |
| 612370427 | 612370122 | 612500148 | 612500146 | 612540058 | 612540039 | 612632061 | 612632000 |
| 612370429 | 612370000 | 612500159 | 612500024 | 612540060 | 612540039 | 612640004 | 612290054 |
| 612370430 | 612370122 | 612500160 | 612500096 | 612540061 | 612540039 | 612643002 | 612643000 |
| 612370431 | 612370122 | 612500163 | 612500096 | 612540092 | 612540039 | 612643005 | 612643000 |
| 612370432 | 612370000 | 612500174 | 609750001 | 612540102 | 612540039 | 612643011 | 612643000 |
| 612370434 | 612370000 | 612500185 | 612500183 | 612540103 | 612540039 | 612643012 | 612643000 |
| 612370435 | 612370000 | 612500207 | 612500183 | 612540111 | 612540039 | 612643013 | 612643000 |
| 612370437 | 612370122 | 612500212 | 612500093 | 612540114 | 612540039 | 612690002 | 612825001 |
| 612370438 | 612370122 | 612500235 | 612500183 | 612540115 | 612540039 | 612720007 | 612720005 |
| 612370439 | 612370122 | 612500237 | 612500090 | 612540116 | 612540039 | 612720010 | 612720005 |
| 612370440 | 612370122 | 612500239 | 612500024 | 612540117 | 612540039 | 612825004 | 612825001 |
| 612370441 | 612370122 | 612500245 | 612500024 | 612540118 | 612540039 | 612825012 | 612825001 |
| 612370442 | 612370122 | 612500247 | 612500026 | 612540121 | 612540039 | 612825014 | 612825001 |
| 612370443 | 612370122 | 612500252 | 612500024 | 612540136 | 612540039 | 612825016 | 612825001 |
| 612370444 | 612370122 | 612500253 | 612500028 | 612540148 | 612540039 | 612825017 | 612825001 |

| OEM Part Number | Spicer Wing Series Base Part Number | OEM Part Number | Spicer Wing Series Base Part Number | OEM Part Number | Spicer Wing Series Base Part Number | OEM Part Number | Spicer Wing Series Base Part Number |
|-----------------|-------------------------------------|------------------|-------------------------------------|-----------------|-------------------------------------|------------------|-------------------------------------|
| 612825018 | 612825001 | 76066232 | 612643000 | 98190427 | 612370122 | D95033-0303-106 | 612500093 |
| 612845002 | 612860000 | 76092458 | 612643000 | 98194828 | 612290054 | DOD 4959 | 609050034 |
| 612845004 | 612860000 | 787748 | 612370000 | 98194831 | 612290054 | E850250 | 612370122 |
| 613745 | 612290000 | 79055619 | 612632000 | 985-PZ-02013 | 612825001 | E850253 | 612370000 |
| 613745 | 612290000 | 79055624 | 612370000 | 98668 | 608760000 | E8A0689 | 612370000 |
| 613961 | 612370122 | 79064676 | 608760000 | 990010 | 612290000 | E8A0690 | 607560000 |
| 621523 | 612370122 | 79065124 | 605120014 | 990295 | 612290000 | F002616 | 608760000 |
| 622338 | 612370122 | 79074731 | 608790000 | 998 PD 02035 | 612370000 | F004307 | 606910001 |
| 64/64714 | 608790000 | 79074732 | 605120014 | 998 PD 02043 | 612370000 | F004310 | 612370000 |
| 644120013 | 644120010 | 7U 2129 | 612370000 | AT157182 | 607450003 | F033062 | 608760000 |
| 644120014 | 644120010 | 7U 2190 | 612290000 | AT161029 | 602380098 | F036028 | 612370000 |
| 6560295 | 602880203 | 7U2258 | 610810004 | AT161031 | 612370268 | F038388 | 612370000 |
| 6638 | 608760000 | 80000556 | 612370122 | AT161031 | 612370268 | F052789 | 612370000 |
| 6639 | 608760000 | 811210300 | 608760000 | AT199083 | 612370268 | F054576 | 612370000 |
| 6641 | 608760000 | 811715800 | 612370000 | AT199086 | 611310101 | F064609 | 612370000 |
| 67642162 | 608760000 | 811858300 | 612632000 | AT199097 | 602380098 | F064610 | 612370000 |
| 6U 0487-03 | 612370000 | 811B050000128 | 608790037 | AT199100 | 611320042 | F064611 | 612370000 |
| 700036883 | 612632000 | 81L6-00071 | 612290054 | AT199104 | 608790033 | F070649 | 612370000 |
| 71402472 | 608790000 | 841193909 | 605110098 | AT199106 | 611310101 | F070846 | 612290000 |
| 715869 | 612290000 | 84154330 | 605360084 | AT199109 | 602380098 | F071446 | 602380137 |
| 7207727 | 608790000 | 84170773 | 605110101 | AT199110 | 607450003 | F071447 | 608760000 |
| 7207798 | 607560000 | 84178823 | 605360084 | AT199117 | 602380098 | F072205 | 612290000 |
| 7207799 | 608790000 | 84179666 | 605360084 | AT199118 | 611320042 | F072206 | 612500028 |
| 72526418 | 612370122 | 84179681 | 605360084 | AT199661 | 605110067 | F074549 | 612370000 |
| 72526419 | 612370122 | 84344498 | 612500096 | AT310025 | 612290054 | F074893 | 608760000 |
| 73640001402 | 612370000 | 84344502 | 612290054 | AT310025 | 612290054 | F123741 | 608790033 |
| 73640002867 | 612370000 | 84344504 | 612290314 | AT310026 | 612290054 | F123757 | 602380098 |
| 7-364-001369 | 612370122 | 84466491 | 612290314 | AT316033 | 602380098 | J6A0463 | 612290054 |
| 7-364-001386 | 612500096 | 84579017 | 608790109 | AT316478 | 612370310 | J9A0114 | 612290054 |
| 7-364-001393 | 612290054 | 855017P0012 | 608790000 | AT329735 | 612290206 | K2001091 H | 608760000 |
| 7-364-002559 | 612290054 | 87109129 | 607860035 | AT329737 | 606580004 | L68549 | 608790037 |
| 7364002633 | 607560000 | 87150-0305-002 | 608760000 | AT329986 | 611310101 | L68562 | 608790037 |
| 7-364-002633 | 606910001 | 87426992 | 605360084 | AT333195 | 607560000 | L68563 | 608790037 |
| 7-364-100042 | 612500096 | 87426993 | 605360084 | AT333197 | 611290080 | M2001074H | 608790000 |
| 7364100050 | 612370122 | 87645798 | 611290080 | AT349201 | 611310101 | MC-50169 10C | 608790000 |
| 7-364-100062 | 612370122 | 8806900 | 612370000 | AT349202 | 606580004 | MC-50169 11C | 608790000 |
| 7364100069 | 612290054 | 8806901 | 612370000 | AT349203 | 611320042 | MC-50169 12C | 608790000 |
| 7364100070 | 612370122 | 884-0640-161 | 612290000 | AT359785 | 602380098 | MC-50169 13C | 608790000 |
| 7364100072 | 612290054 | 885813C92 | 612290000 | AT364103 | 611320042 | MC-50169 14C | 608790000 |
| 7-364-100115 | 612370122 | 91.355.066.383.5 | 608760000 | AT375109 | 612290054 | MC-50282/10C/11C | 608790000 |
| 7-364-100121 | 612370122 | 912B050000207 | 612370122 | AT375126 | 612290054 | MC-50282/11OLF | 608790000 |
| 7-364-100135 | 612370122 | 912B050000218 | 612370122 | AT375156 | 612540039 | MC-50282/8C | 608790000 |
| 7-364-100148 | 612370122 | 914/60206 | 612370122 | AT393305 | 606580004 | MC-50282/9C | 608790000 |
| 7-364-100192 | 612540039 | 914/60275 | 609750001 | AT402809 | 605120014 | N4A0133 | 612290054 |
| 7421857886 | 609750001 | 921064.0066 | 608790000 | AT402812 | 605120014 | P2034-02100 | 612370122 |
| 7421857893 | 612500090 | 921064.0068 | 608790000 | AT402813 | 612370268 | P2034-02120 | 612370122 |
| 75236920 | 612632000 | 935301 306 | 612290000 | AT402813 | 612370268 | P2034-02170 | 611290082 |
| 75267602 | 605120014 | 937702C91 | 612540039 | AT402813 | 612370268 | P2034-02180 | 612540039 |
| 76002605 | 607550000 | 943250430 | 608790000 | AT402813 | 612370268 | SH8300-100 | 612370000 |
| 76032503 | 612632000 | 943250470IG | 608790000 | AT402819 | 612643000 | SH8600-100 | 612632000 |
| 76033613-01 | 612370000 | 943270280 | 607560000 | AT402820 | 612643000 | ST-10C-440 | 610810004 |
| 76038828 | 612370000 | 943270675 | 612370000 | AT402821 | 612643000 | T1388149 | 612290000 |
| 76040893 | 605120014 | 943270760 | 612370000 | AT402822 | 612290206 | T1475129 | 608760000 |
| 76052813 | 612643000 | 943271330 | 612370000 | AT408587 | 612290054 | X65-224 | 612290000 |
| 76053056 | 608790000 | 9436630 | 607630000 | BN000911 | 612500146 | X-799658 | 612500093 |
| 76053057 | 608790000 | 953-PI-01015 | 612825001 | BN009908 | 612290000 | | |
| 76053058 | 608760000 | 98190424 | 612370122 | BVD1396 | 608760000 | | |
| 76054846 | 605120014 | 98190425 | 612370122 | BVD1397 | 608760000 | | |