

# Another Bright Idea!



## The Next Generation of Spicer

# *SPL 250 & 170 U-Joints*

## Outshines All Competitors...

# *Consistently!*

### Life Cycle Testing Outperforms ALL Competitors' Products!

#### • New Bearing Package

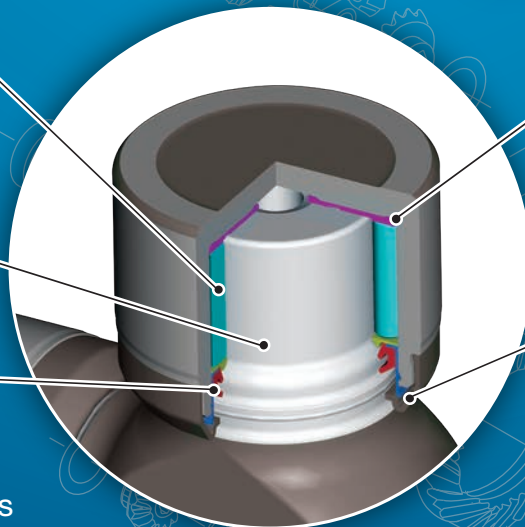
- Larger Rollers
- 40% Increase in Bearing Capacity

#### • New Synthetic Grease

- Significantly Extends Life

#### • New Seal

- Viton® Material
- Extends Life
- Improves Wear Capabilities
- Improves Heat Resistance



#### • New Thrust Washer

- Improves Lube
- Eliminates Friction/Heat
- Extends Life

#### • New Seal Guard

- Enhances Lube Retention
- Contamination Reduction