

SPICER®



J300P-3

July 2012

Supersedes Section 3

Dated August 2008

Driveline Components Catalog Slip Yoke Assemblies



Driveshaft-style slip yokes, slip flanges, splined sleeves, and more,
plus slip yoke assemblies for transmission applications.



How To Use This Catalog

INCLUDED IN THIS CATALOG

Driveshaft Style slip yokes - page 3, Slip Flange- page 13, Splined Sleeves - page 14, Hex, Square and Round Hole- page 16, Transmission-type - page 17,

HOW TO IDENTIFY A PART USING THIS CATALOG

To identify any slip yoke, four pieces of information are required:

1. Determine Series
2. Determine spline O.D.
3. Determine number of teeth
4. Determine length - centerline to end/ face to end / end of spline to weld
5. Determine hub diameter (if a transmission-type slip yoke)

Series and all pertinent series dimensions appear as shown in the sample below:

1100 SERIES	E-2.656 D-.938	USE KIT 5-101X & 5-111X
--------------------	-----------------------	------------------------------------

Spline O.D. and number of teeth are found at the beginning of each data section--

1.062-16 Spline

Individual part data is shown following the spline data heading--

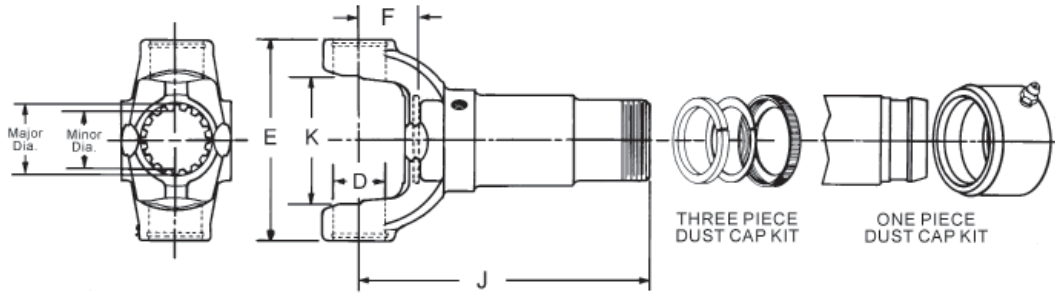
2.875	.938	500174-1	D1A	1-68-14	-	SR	1-3-88KX
--------------	-------------	-----------------	------------	----------------	----------	-----------	-----------------

Footnotes for parts and assemblies that are discontinued, will be discontinued or replaced upon depletion of stock, or not sold separately, are indicated by a symbol next to the part number. Match the symbol to the appropriate status at the bottom of the page. All other footnotes are located immediately below the yoke dimensional data.

IMPORTANT NOTICE: The data listed herein is correct to the best of our knowledge and belief; having been compiled from reliable and official sources of information. However, WE CANNOT ASSUME ANY RESPONSIBILITY for possible error.



Slip Yoke Assemblies LD & MD Driveshaft Style



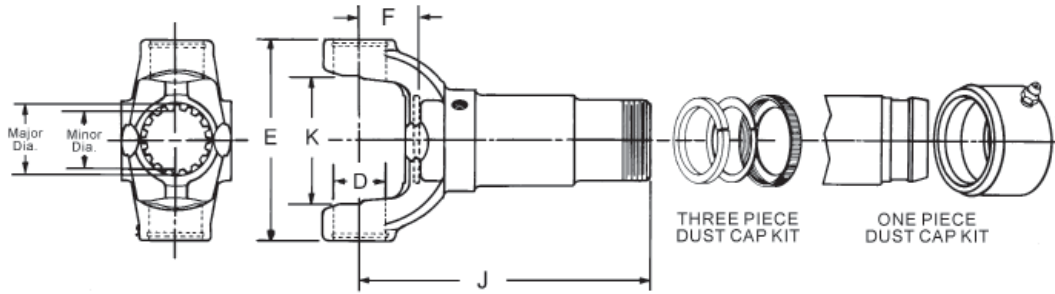
J C/L to End of Spline	F C/L to Face of Plug	Part of Slip Yoke Assembly			Boot Kit Assy Part Number Order Separately	Style	Slip Yoke Assembly Part Number
		Lube Fitting	Dust Cap & Washer Kit	Slip Yoke Plug Number			
SPL55 SERIES		E-4.440 D-1.374		USE KIT 5-803X, 5-804X, SPL55-1X, SPL55-2X			
1.587-23 Based On 24 Involute Spline							
7.949	1.732	—	—	500166-26	212094X	SR	55-3-61X
9.122	1.732	—	—	500166-26	212094X	SR	55-3-81X
SPL70 SERIES		E-5.250 D-1.375		USE KIT 5-808X, 5-809X, SPL70-1X, SPL70X			
1.776-26 Based On 27 Involute Spline							
8.480	1.890	—	—	70-68-18X	212146X	SR	70-3-21X
9.279	1.890	—	—	70-68-18X	212146X	SR	5009115
<i>5009115 was replaced by 70-3-09115X; Rubber valve in plug</i>							
9.279	1.890	—	—	70-68-18X	212146X	SR	70-3-09115X Rubber valve in plug
9.279	1.890	—	—	70-68-38X	212146X	SR	70-3-41X
SPL90 SERIES		E-5.375 D-1.625		USE KIT SPL90X			
1.939-30 Involute Spline							
8.250	1.750	500174-1	90-86-18	5-68-164	—	SR	90-3-41X
<i>Mates with 90-40-21 and 90-53-21</i>							
10.100	1.797	500174-1	90-86-18	5-68-108X	—	SR	90-3-21X
SPL100 SERIES		E-5.380 IN, (HR STYLE 4.958 IN.) D-1.625		USE KIT SPL100-1X			
1.965-29 Based On 30 Involute Spline							
9.681	1.783	—	—	5-68-164	212146X	SR	100-3-41X
1000 SERIES		K-1.500 D-.938		USE KIT 5-170X			
1.000-6 Spline							
5.500	1.500	500174-1	—	—	—	SR	10-3-131X
1.125-10 Spline							
5.500	—	500174-1	—	—	—	SR	10-3-81X
1.156-26 Involute Spline							
5.500	1.531	500174-1	D2L	2-68-23	—	SR	10-3-291KX
1.250-16 Spline							
4.438	1.400	500174-1	D2A	—	—	SR	10-3-121KX
5.500	1.562	500174-1	D2A	2-68-23	—	SR	10-3-18KX
1.250-6 Spline							
5.500	1.400	500174-1	—	—	—	SR	10-3-51X
1100 SERIES		E-2.656 D-.938		USE KIT 5-101X, 5-111X			
1.062-16 Spline							
2.875	.938	500174-1	D1A	1-68-14	—	SR	1-3-88KX
4.312	.938	500174-1	D1A	1-68-14	—	SR	1-3-18KX

• Part is discontinued ■ Part is available until supply is exhausted ▲ Not sold separately



Important: See Safety Information in General Information Section (J300P-GI)

Slip Yoke Assemblies LD & MD Driveshaft Style



J	F	Part of Slip Yoke Assembly			Boot Kit Assy Part Number Order Separately	Style	Slip Yoke Assembly Part Number
		Lube Fitting	Dust Cap & Washer Kit	Slip Yoke Plug Number			
1210 SERIES		E-2.688 D-1.062			USE KIT 5-443X		
1.219-26 Based On 28 Involute Spline							
5.062	1.250	—	—	500166-20	—	SR	2-3-8811X•
					<i>Use boot #40465, clamps #40540-1,-2; l.S. snap ring style</i>		
5.109	1.547	—	—	500166-20	211513X	SR	2-3-9991X
1.250-14 Based On 16 Spline							
6.344	1.547	—	211256X	500166-20	211513X	SR	2-3-10521X
6.375	1.250	—	—	500166-20	211344X	SR	2-3-8861X
1310 SERIES		E-3.469 D-1.062			USE KIT 5-153X, 5-785X, 5-810X		
1.250-14 Based On 16 Spline							
6.562	1.438	—	—	500166-20	211344X	SR	2-3-10661X■
1.250-16 Spline							
3.562	1.000	500174-1	D2B	2-68-23	—	SR	2-3-3951KX
4.125	1.000	500174-1	D2B	2-68-23	—	SR	2-3-258KX
4.688	1.000	500174-1	D2A	2-68-23	—	SR	2-3-198KX
5.000	1.000	500174-1	D2A	2-68-23	—	SR	2-3-1421KX
6.125	1.000	500174-1	D2F	2-68-23	—	SR	2-3-1461KX
6.562	1.438	500174-1	D2K	2-68-23	—	SR	2-3-4441KX
6.562	1.438	500174-1	211256X	2-68-23	—	SR	2-3-8841KX
1.338-18 Based On 20 Involute Spline							
6.724	1.417	—	211121X	500166-22	—	SR	2-3-15101X
7.360	1.500	—	—	500166-22	212094X	SR	2-3-15941X
1.375-15 Based On 16 Spline							
6.000	1.062	—	—	500166-22	211916X	SR	2-3-10411X
6.688	1.062	500174-1	211121X	2-68-143	—	SR	2-3-7661KX
6.690	1.062	—	—	2-68-28X	—	SR	2-3-10021X
					<i>Relief valve in plug</i>		
6.724	1.417	—	—	500166-22	211916X	SR	2-3-12881X
6.812	1.250	—	—	500166-22	211932X	SR	2-3-11351X•
7.875	1.500	—	—	500166-22	211916X	SR	2-3-12421X
1.375-16 Spline							
3.750	1.000	500174-1	D2C	3-68-23	—	SR	2-3-178KX
4.188	1.000	500174-1	D2C	3-68-23	—	SR	2-3-348KX
5.375	1.000	—	—	2-68-28X	—	SR	2-3-9031X▲
					<i>500174-1 lube fit. & D2M dustcap, ordr sep.; Rel vlv in plug</i>		
5.375	1.000	500174-1	211121X	3-68-23	—	SR	2-3-12301KX
5.375	1.000	500174-1	D2C	3-68-23	—	SR	2-3-128KX
6.000	1.062	500174-1	D2C	2-68-143	—	SR	2-3-4951KX
					<i>Use dust cap kit D3E for reverse slip applications</i>		
6.000	1.062	500174-1	211121X	2-68-143	—	SR	2-3-7981KX
6.344	1.062	500174-1	D2C	2-68-143	—	SR	2-3-4071KX

• Part is discontinued ■ Part is available until supply is exhausted ▲ Not sold separately



Slip Yoke Assemblies LD & MD Driveshaft Style



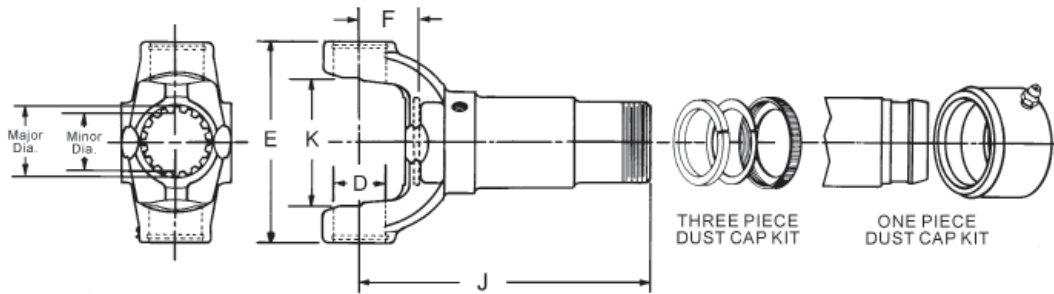
J C/L to End of Spline	F C/L to Face of Plug	Part of Slip Yoke Assembly			Boot Kit Assy Part Number Order Separately	Style	Slip Yoke Assembly Part Number
		Lube Fitting	Dust Cap & Washer Kit	Slip Yoke Plug Number			
1310 SERIES (Continued)		E-3.469 D-1.062			USE KIT 5-153X, 5-785X, 5-810X		
1.375-16 Spline (Continued)							
6.471	—	—	—	—	—	CV	2-3-7461X
<i>500174-1 lube fitting & D2M dust cap, order separately</i>							
6.750	.875	500174-1	D2M	3-68-23	—	SR	2-3-1931KX
6.812	1.500	500174-1	211121X	2-68-143	—	SR	2-3-8001KX
6.875	1.500	500174-1	—	3-68-23	—	SR	2-3-5221X
<i>Use dust cap kit D3E for reverse slip applications</i>							
7.875	1.500	500174-1	—	3-68-23	—	SR	2-3-5821X
<i>Use dust cap kit D3E for reverse slip applications</i>							
7.875	1.500	500174-1	211121X	2-68-143	—	SR	2-3-8021KX
1.377-31 Based On Involute 32 Spline							
6.750	.875	500174-1	211121X	2-68-143	—	SR	2-3-10261KX
6.750	.875	—	—	500166-22	211600X	SR	2-3-10801X•
1.378-31 Based On 32 Involute Spline							
6.620	1.531	500174-1	D2N	2-68-134	—	SR	2-3-7171KX
6.812	1.500	500174-1	211411X	2-68-143	—	SR	2-3-10641KX•
6.812	1.500	—	—	2-68-63	211600X	SR	2-3-9371X•
1.390-30 Based On 31 Involute Spline							
5.062	1.438	500174-1	211121X	3-68-23	—	SR	2-3-8311X
<i>Spec 4X4 axle yoke w/hole in plug</i>							
5.062	1.438	231330	2-86-298	500166-22	—	SR	2-3-8481X
<i>Spec 4X4 axle yoke w/lube fitting in yoke</i>							
5.062	1.438	—	—	500166-22	—	SR	2-3-8741X
<i>Use boot #40465, clamps #40540-1,-2; I.S. snap ring style</i>							
1.500-16 Spline							
2.906	.656	500174-1	D3F	2-68-64	—	SR	2-3-7691KX
6.875	1.531	500174-1	D3A	3-68-33	—	SR	2-3-6061KX
1330 SERIES		SR: E-3.875 OTHERS E-3.625, D-1.062			USE KIT 5-213X,5-790X,5-812X		
1.284-29 Based On 30 Involute Spline							
6.600	1.100	—	—	500166-22	—	SR	2-3-13221X
<i>Used on driveshaft w/outboard slip</i>							
1.338-18 Based On 20 Involute Spline							
6.640	1.000	—	—	500166-22	212094X	SR	2-3-16221X
6.724	1.102	—	—	500166-22	211932X	SR	2-3-15651X
1.338-19 Based On 20 Involute Spline							
6.700	1.000	—	—	500166-22	212094X	SR	2-3-13831X
1.375-14 Based On 16 Spline							
6.720	1.102	—	—	500166-22	211932X	SR	2-3-14331X
7.039	1.417	—	—	500166-22	211932X	SR	2-3-06028X
7.039	1.417	—	—	500166-22	211932X	SR	5006028
<i>5006028 was replaced by 2-3-06028X</i>							
1.375-15 Based On 16 Spline							
5.410	1.060	—	—	500166-22	211916X	SR	2-3-13571X•
6.000	1.000	—	—	500166-23	211916X	SR	2-3-8921X
6.620	1.000	—	—	500166-22	211932X	SR	2-3-11991X•
<i>211121X dust cap & washer kit, order separately</i>							
6.625	1.000	—	211121X	2-68-28X	—	SR	2-3-11491KX
6.625	1.000	—	211121X	500166-22	211932X	SR	2-3-11991KX•
6.625	1.000	500174-1	211121X	3-68-23	—	SR	2-3-7681KX
7.500	1.000	500174-1	211121X	3-68-23	211463X	SR	2-3-8941KX•

• Part is discontinued ■ Part is available until supply is exhausted ▲ Not sold separately



Important: See Safety Information in General Information Section (J300P-GI)

Slip Yoke Assemblies LD & MD Driveshaft Style



J	F	Part of Slip Yoke Assembly			Boot Kit Assy Part Number Order Separately	Style	Slip Yoke Assembly Part Number
		Lube Fitting	Dust Cap & Washer Kit	Slip Yoke Plug Number			
1330 SERIES (Con't) SR: E-3.875 OTHERS E-3.625, D-1.062 USE KIT 5-213X,5-790X,5-812X							
1.375-16 Spline							
6.000	1.000	500174-1	D3E	3-68-23	—	SR	2-3-4681KX
6.000	1.000	500174-1	211121X	2-68-143	—	SR	2-3-7961KX
7.500	1.000	500174-1	211121X	2-68-28X	—	SR	2-3-12031KX <i>Relief valve in plug</i>
7.500	1.000	—	—	3-68-23	—	SR	2-3-7481X• <i>D2M dust cap & washer kit, order separately</i>
7.500	1.000	500174-1	211121X	3-68-23	—	SR	2-3-8041KX
1.378-31 Based On 32 Involute Spline							
6.000	1.000	500174-1	211121X	2-68-143	—	SR	2-3-10571KX•
1.500-15 Based On 16 Spline							
7.312	1.188	—	—	3-68-33	—	SR	2-3-10871X• <i>Used on driveshaft w/outboard slip</i>
7.500	1.000	500174-1	211158X	3-68-33	—	SR	2-3-8111KX•
1.500-16 Spline							
8.182	—	—	—	—	—	CV	211391X
<i>Slip Yoke is a ball stud & sleeve assembly; 500174-1 lube fitting & D3A dust cap, order separate</i>							
1350 SERIES E-3.875 D-1.188 USE KIT 5-178X OR 5-799X							
1.375-15 Based On 16 Spline							
6.810	1.190	500174-1	211121X	3-68-33	—	SR	3-3-2701KX
1.375-16 Spline							
5.250	1.188	500174-1	D3E	3-68-33	—	SR	3-3-758KX
5.688	1.188	500174-1	D2C	3-68-33	—	SR	3-3-1421KX
5.812	1.188	500174-1	D3G	3-68-33	—	SR	3-3-1501KX
6.625	1.188	500174-1	D3G	3-68-33	—	SR	3-3-2591KX
1.377-31 Based On 32 Involute Spline							
6.625	1.188	500174-1	D3F	3-68-33	—	SR	3-3-2471KX
1.390-30 Based On 31 Involute Spline							
4.810	1.190	—	—	500166-22	—	SR	3-3-3001X <i>Use boot #40929 & clamps 40540-4 & 40540-3; order separately</i>
5.240	1.190	—	211121X	3-68-23	—	SR	3-3-2861X
1.463-21 Based On 22 Involute Spline							
7.310	1.160	—	—	500166-24	212094X	SR	3-3-6381X <i>Slip yoke barrel is tapered.</i>
7.312	1.190	—	—	500166-24	212010X	SR	3-3-6201X
7.312	1.190	—	—	500166-24	212010X	SR	3-3-6981X
1.500-14 Based On 16 Spline							
7.312	1.188	—	—	500166-24	212010X	SR	3-3-4781X
7.312	1.188	—	—	500166-24	211916X	SR	3-3-5461X
1.500-15 Based On 16 Spline							
6.938	1.188	—	—	500166-24	212010X	SR	3-3-4651X
7.310	1.188	500174-1	211158X	3-68-33	—	SR	3-3-5921KX
7.312	1.188	500174-1	211158X	3-68-33	212010X	SR	3-3-2801KX

• Part is discontinued ■ Part is available until supply is exhausted ▲ Not sold separately



Slip Yoke Assemblies LD & MD Driveshaft Style

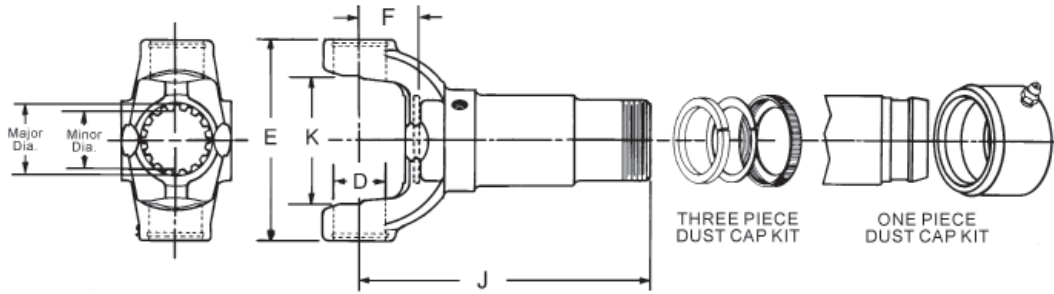
J C/L to End of Spline	F C/L to Face of Plug	Part of Slip Yoke Assembly			Boot Kit Assy Part Number Order Separately	Style	Slip Yoke Assembly Part Number
		Lube Fitting	Dust Cap & Washer Kit	Slip Yoke Plug Number			
1350 SERIES (Continued) E-3.875 D-1.188					USE KIT 5-178X OR 5-799X		
1.500-16 Spline							
3.344	1.062	500174-1	D3A	3-68-104	—	SR	3-3-2931KX•
3.688	1.188	500174-1	D3A	3-68-33	—	SR	3-3-398KX
3.938	1.188	500174-1	D3A	3-68-33	—	SR	3-3-388KX
4.938	1.188	500174-1	D3K	3-68-33	—	SR	3-3-5181KX
5.812	1.312	500174-1	D3A	3-68-33	—	SR	3-3-598KX
5.812	1.380	—	—	3-68-33	—	SR	3-3-2991X
				<i>500174-1 lube fitting & D3A dust cap, order separate</i>			
6.719	1.188	500174-1	D3A	3-68-33	—	SR	3-3-1561KX
7.312	1.188	500174-1	D3A	3-68-33	—	SR	3-3-488KX
7.930	1.156	—	—	3-68-33	212010X	SR	3-3-3601X
8.000	1.188	500174-1	D3A	3-68-33	—	SR	3-3-2681KX
				<i>One tooth removed for lube passage</i>			
1410 SERIES		E-4.438 D-1.188			USE KIT 5-160X OR 5-801X		
1.375-16 Spline							
5.240	1.160	—	D3G	—	—	SR	3-3-4421X
					<i>500174-1 lube fitting, order separate</i>		
5.250	1.156	500174-1	D3E	3-68-33	—	SR	3-3-788KX
5.812	1.156	500174-1	D3G	3-68-33	—	SR	3-3-1481KX
1.463-21 Based On 22 Involute Spline							
7.280	1.160	—	—	500166-24	212010X	SR	3-3-6611X
					<i>Used on driveshaft w/outboard slip</i>		
7.280	1.160	—	—	500166-24	212010X	SR	3-3-6771X
7.280	1.160	—	—	500166-24	211503X	SR	3-3-6791X
					<i>w/5.300" OD dampener</i>		
7.310	1.160	—	—	500166-24	212010X	SR	3-3-08019X
7.310	1.160	—	—	500166-24	212094X	SR	3-3-6341X
7.310	1.160	—	—	500166-24	212010X	SR	5008019
					<i>5008019 was replaced by 3-3-08019X</i>		
7.311	1.161	—	—	500166-24	212094X	SR	3-3-6701X
1.500-14 Based On 16 Spline							
7.281	1.156	—	—	500166-24	212010X	SR	3-3-4871X
7.281	1.156	—	—	500166-24	212010X	SR	3-3-5491X
8.562	1.340	—	—	500166-24	212010X	SR	3-3-6831X
1.500-15 Based On 16 Spline							
7.281	1.156	500174-1	211158X	3-68-33	—	SR	3-3-5411KX
7.812	1.344	500167-2	D3A	3-68-18X	—	SR	3-3-748KX
					<i>Part has wide tooth and relief valve in welch plug.</i>		
8.562	1.344	500174-1	D3F	3-68-63	—	SR	3-3-768KX
					<i>Part has wide tooth, mates w/3-40-531</i>		
1.500-16 Spline							
3.906	1.156	—	—	3-68-33	—	SR	3-3-3381X
					<i>Use dust cap 211158X, order separate</i>		
3.906	1.156	500174-1	D3A	3-68-33	—	SR	3-3-468KX
4.344	1.156	—	D3F	3-68-33	—	SR	3-3-3311KX
4.410	1.160	—	—	3-68-33	—	SR	3-3-3461X
				<i>500174-1 lube fitting & D2M dust cap, order separately</i>			
5.250	1.156	500174-1	D3K	3-68-33	—	SR	3-3-2041KX
5.250	1.160	—	—	3-68-334	—	SR	3-3-3401X
				<i>500174-1 lube fitting & D2M dust cap, order separately</i>			
6.500	1.156	500174-1	D3A	3-68-33	—	SR	3-3-118KX

• Part is discontinued ■ Part is available until supply is exhausted ▲ Not sold separately



Important: See Safety Information in General Information Section (J300P-GI)

Slip Yoke Assemblies LD & MD Driveshaft Style



J	F	Part of Slip Yoke Assembly			Boot Kit Assy Part Number Order Separately	Style	Slip Yoke Assembly Part Number
		C/L to End of Spline	C/L to Face of Plug	Lube Fitting			
1410 SERIES (Continued) E-4.438 D-1.188				USE KIT 5-160X OR 5-801X			
1.500-16 Spline (Continued)							
6.688	1.344	500174-1	D3B	3-68-33	—	SR	3-3-798KX
7.812	1.344	500174-1	—	3-68-33	—	SR	3-3-4551X•
7.812	1.344	500174-1	D3A	3-68-33	—	SR	3-3-508KX
7.812	1.344	500174-1	211158X	3-68-33	—	SR	3-3-5481KX
7.812	1.344	—	—	3-68-18X	—	SR	3-3-838X
<i>Use dust cap D3F, order separate; Use lube fitting 500174-1; order separate</i>							
8.562	1.344	500174-1	D3J	3-68-113	—	SR	3-3-1831KX
1.528-23 Involute Spline							
6.810	1.312	—	—	3-68-163	—	SR	3-3-6641X•
<i>Use dust cap 211158X, order separate; 500174-1 lube fitting, order separate</i>							
1.562-16 Spline							
6.812	1.312	500174-1	D3H	3-68-163	—	SR	3-3-1701KX
<i>For splined dust cap, use D3J</i>							
1.564-22 Based On 24 Involute Spline							
6.720	1.220	—	—	500166-26	212007X	SR	3-3-6041X• OEM Only
1.587-23 Based On 24 Involute Spline							
6.720	1.220	—	—	500166-26	212007X	SR	3-3-7001X
1.605-15 Involute Spline							
5.750	1.344	500174-1	D4G	3-68-163	—	SR	3-3-3871KX
1.654-20 Involute Spline							
4.812	1.312	—	—	3-68-183	—	SR	3-3-3791X <i>Hub dia. not ground</i>
1.750-16 Spline							
3.250	1.188	500174-1	D4F	3-68-54	—	SR	3-3-1511KX
1480 SERIES		E-4.438 D-1.375			USE KIT 5-188X, 5-803X OR 5-804X		
1.562-16 Spline							
6.000	1.312	—	—	3-68-163	—	SR	3-3-5141X•
6.812	1.312	500174-1	D3J	3-68-163	—	SR	3-3-1601KX
9.500	2.000	500174-1	D3H	3-68-163	—	SR	3-3-1641KX
1.564-23 Based On 24 Involute Spline							
6.810	1.312	—	—	500166-26	212007X	SR	3-3-6061X
1.587-23 Based On 24 Involute Spline							
6.810	1.312	—	—	500166-26	212007X	SR	3-3-7021X
1.784-27 Involute Spline							
3.719	1.109	—	—	3-68-203	—	SR	3-3-3121X <i>Hub dia. not ground</i>
2.250-10 Spline							
3.719	1.188	500174-1	D3D	3-68-93	—	SR	3-3-1621KX

• Part is discontinued ■ Part is available until supply is exhausted ▲ Not sold separately



Slip Yoke Assemblies LD & MD Driveshaft Style

J C/L to End of Spline	F C/L to Face of Plug	Part of Slip Yoke Assembly			Boot Kit Assy Part Number Order Separately	Style	Slip Yoke Assembly Part Number
		Lube Fitting	Dust Cap & Washer Kit	Slip Yoke Plug Number			
1550 SERIES		E-5.250 D-1.375			USE KIT 5-155X, 5-808X OR 5-809X		
1.750-16 Spline							
5.375	1.375	500168-2	D4M	4-68-143	—	SR	4-3-1751KX
6.875	1.375	500168-2	D4K	4-68-143	—	SR	4-3-1241KX
7.562	2.062	500168-2	D4M	4-68-143	—	SR	4-3-2121KX
8.125	1.375	500168-2	D4J	4-68-143	—	SR	4-3-1411KX
9.063	2.062	500168-2	D4M	4-68-143	—	SR	4-3-2141KX
10.062	2.062	500168-2	D4J	4-68-143	—	SR	4-3-1431KX
2.000-16 Spline							
4.875	1.469	500168-2	5-86-68	4-68-43	—	SR	4-3-1921KX
8.812	2.730	500167-2	5-86-68	5-68-78X	—	SR	4-3-2041KX <i>Relief valve in plug</i>
2.500-16 Spline							
3.500	1.125	500168-2	D4L	4-68-74	—	SR	4-3-1261KX
4.303	1.402	500168-2	D4L	4-68-74	—	SR	4-3-08843KX
4.303	1.402	—	—	4-68-74	—	SR	5008843
<i>5008843 was replaced by 4-3-08843KX; D4L dust cap kit- order separately</i>							

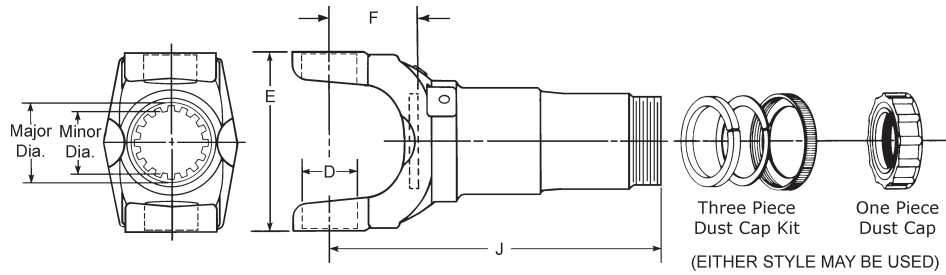
• Part is discontinued ■ Part is available until supply is exhausted ▲ Not sold separately



Important: See Safety Information in General Information Section (J300P-GI)

Slip Yoke Assemblies HD Driveshaft Style

J300P-3



J C/L to End of Spline	F C/L to Face of Plug	Part of Slip Yoke Assembly			Style	Slip Yoke Assembly Part Number
		Lube Fitting	Dust Cap & Washer Kit	Slip Yoke Plug Number		
1610 SERIES		E-5.312 D-1.875			USE KIT 5-279X OR 5-674X	
2.000-16 Spline						
5.406	2.688	—	—	5-68-154	BP	5-3-2911X
<i>500168-2 lube fitting & 5-86-68 dust cap kit, order separate</i>						
6.750	2.688	—	—	5-68-174	BP	5-3-398X
7.812	1.440	500168-2	5-86-68	5-68-174	BP	5-3-108KX
8.875	1.440	500168-2	5-86-68	5-68-174	BP	5-3-368KX
9.312	3.188	500168-2	5-86-68	5-68-174	BP	5-3-288KX
9.812	2.688	500168-2	5-86-68	5-68-174	BP	5-3-128KX•
10.312	1.938	500168-2	5-86-68	5-68-174	BP	5-3-1411KX
10.312	2.440	500168-2	5-86-68	5-68-164	BP	5-3-1711KX
10.812	3.188	500168-2	5-86-68	5-68-164	BP	5-3-2261KX
10.940	3.688	—	—	5-68-164	BP	5-3-3141KX
11.938	3.688	500168-2	5-86-68	5-68-164	BP	5-3-3121KX <i>High angle slip yoke</i>
2.500-16 Spline						
9.500	2.000	500168-2	6.3-86-18	6-68-64	BP	5-3-3101KXM
<i>M8 x 1.00-6H Metric tapped holes in yoke ears</i>						
2.676-18 Involute Spline						
3.500	1.250	500168-2	D5C	5-68-33	BP	5-3-168KX
3.500	1.250	500168-2	—	5-68-33	BP	5-3-3231X
<i>Not threaded for dust cap</i>						
4.250	1.250	500168-2	D5C	5-68-33	BP	5-3-198KX
4.875	1.812	500168-2	D5C	5-68-33	BP	5-3-2971X
1710 SERIES		E-6.094 (6.190-HR STYLE) D-1.938			USE KIT 5-280X OR 5-675X	
2.500-15 Based On 16 Spline						
7.469	1.720	—	—	6-68-48X	BP	6-3-3211X <i>Relief valve in plug</i>
11.688	2.438	500168-2	6.3-86-18	6-68-38X	BP	6-3-3171KX <i>Relief valve in plug</i>
12.719	3.219	500168-2	6.3-86-18	6-68-38X	BP	6-3-3541KX <i>Relief valve in plug</i>
2.500-16 Spline						
6.719	1.719	500168-2	6.3-86-18	6-68-74	BP	6-3-2761KX
7.219	1.720	500168-2	—	6-68-74	BP	
7.469	1.719	500168-2	6.3-86-18	6-68-74	BP	6-3-2741KX
7.970	1.719	500168-2	6.3-86-18	6-68-74	BP	6-3-2801KX
8.469	1.719	—	—	6-68-74	BP	6-3-2721X
<i>500168-2 lube fitg. & 6.3-86-18 dust cap kit, order separate</i>						
8.844	1.719	500168-2	6.3-86-18	6-68-74	BP	6-3-2631KX
9.344	2.516	500174-1	6.3-86-18	6-68-74	BP	6-3-3521KX

• Part is discontinued ■ Part is available until supply is exhausted ▲ Not sold separately



Slip Yoke Assemblies HD Driveshaft Style

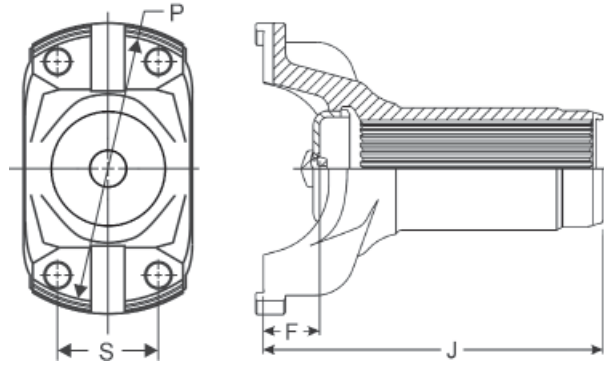
J C/L to End of Spline	F C/L to Face of Plug	Part of Slip Yoke Assembly			Style	Slip Yoke Assembly Part Number
		Lube Fitting	Dust Cap & Washer Kit	Slip Yoke Plug Number		
1710 SERIES (Continued) E-6.094 (6.190-HR STYLE) D-1.938 USE KIT 5-280X OR 5-675X						
2.500-16 Spline (Continued)						
9.594	1.719	500168-2	6.3-86-18	6-68-74	BP	6-3-2671KX
10.310	2.440	500168-2	6.3-86-18	6-68-38X	BP	6-3-3151KX <i>Relief valve in plug</i>
10.312	2.440	—	6.3-86-18	6-68-38X	BP	6-3-3611KXM• <i>Relief valve in plug; M10x1.25-6H tapped holes in yoke ears</i>
10.719	3.219	500168-2	6.3-86-18	6-68-64	BP	6-3-3481KX <i>High angle slip yoke</i>
11.688	2.438	500168-2	6.3-86-18	6-68-64	BP	6-3-2651KX
11.719	3.219	500168-2	6.3-86-18	6-68-64	BP	6-3-3461KX <i>High angle slip yoke</i>
11.969	3.219	500168-2	6.3-86-18	6-68-64	BP	6-3-2591KX <i>6-3-2591KX was replaced by 6-3-3501KX</i>
11.969	3.219	500168-2	6.3-86-18	6-68-64	BP	6-3-3501KX <i>High angle slip yoke</i>
12.719	3.219	500168-2	6.3-86-18	6-68-64	BP	6-3-3441KX <i>High angle slip yoke</i>
2.500-9 Based On 10 Spline						
11.000	3.250	500168-2	D6B	6-68-63	BP	6-3-1601KX•
3.250-18 Involute Spline						
4.125	1.375	500168-2	D6E	6-68-53	BP	6-3-1661KX
4.875	1.375	500168-2	D6E	6-68-53	BP	6-3-1481KX
1760 SERIES E-7.000 (7.094 FOR HR STYLE) D-1.938 USE KIT 5-407X, 5-677X						
2.500-16 Spline						
9.250	2.922	500168-2	6.3-86-18	6-68-74	BP	6.3-3-41KX <i>Metal, slip yoke plug no. is 6.3-68-14</i>
11.156	2.469	500168-2	6.3-86-18	6-68-64	BP	6.3-3-21KX
1810 SERIES E-7.547 (7.643 FOR HR STYLE) D-1.938 USE KIT 5-281X, 5-676X						
3.000-16 Spline						
8.062	2.969	500168-2	6.5-86-38	6.5-68-74	BP	6.5-3-1571KX•
8.938	1.562	500168-2	6.5-86-38	6.5-68-74	BP	6.5-3-1431KX
10.250	2.375	500168-2	6.5-86-38	6.5-68-64	BP	6.5-3-1351KX
11.875	2.375	500168-2	6.5-86-38	6.5-68-64	BP	6.5-3-1371KX
11.880	3.140	500168-2	—	6.5-68-64	BP	6.5-3-1761X <i>Use dust cap 6.5-86-38, order separate</i>
3.250-18 Involute Spline						
5.375	1.500	500168-2	D6E	6-68-53	BP	6.5-3-1451KX
1880 SERIES E-8.094 D-2.188 USE KIT 5-308X						
3.000-16 Spline						
10.031	2.031	500168-2	6.5-86-38	8-68-13	BP	8-3-391KX
11.656	2.469	500168-2	6.5-86-38	8-68-13	BP	8-3-411KX
4.156-24 Involute Spline						
5.031	1.750	500168-2	D9A	8-68-24	BP	8-3-431KX

• Part is discontinued ■ Part is available until supply is exhausted ▲ Not sold separately



Important: See Safety Information in General Information Section (J300P-GI)

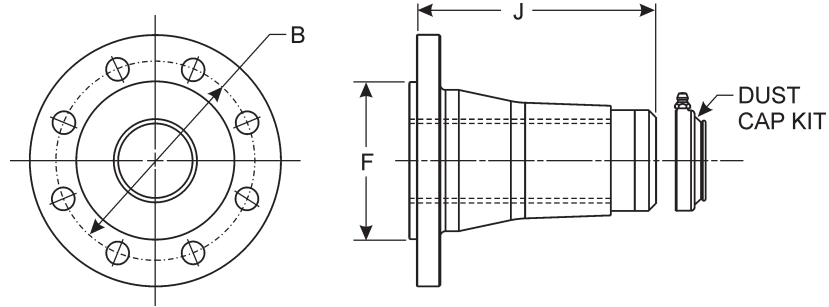
Wing Bearing Style



J C/L to End of Spline	F C/L to Face of Plug	Part of Slip Yoke Assembly			Boot Kit Assy Part Number Order Separately	Style	Slip Yoke Assembly Part Number
		Lube Fitting	Dust Cap & Washer Kit	Slip Yoke Plug Number			
5C SERIES							
WB STYLE P-4.531 S-1.685 KEYWAY-.563 USE KIT 5C-1X							
1.564-23 Based On 24 Involute Spline							
6.890	1.437	—	4-86-48	4-68-193	—	WB 5C-3-21X• <i>Rubber valve in plug</i>	
6C SERIES							
WB STYLE P-5.531 S-1.689 KEYWAY- .563 USE KIT 6C-1X							
1.939-30 Involute Spline							
6.574	1.122	—	4-86-58	5-68-224	—	WB 6C-3-21X <i>Rubber valve in plug</i>	



Slip Yoke Assemblies Slip Flange Yoke Style

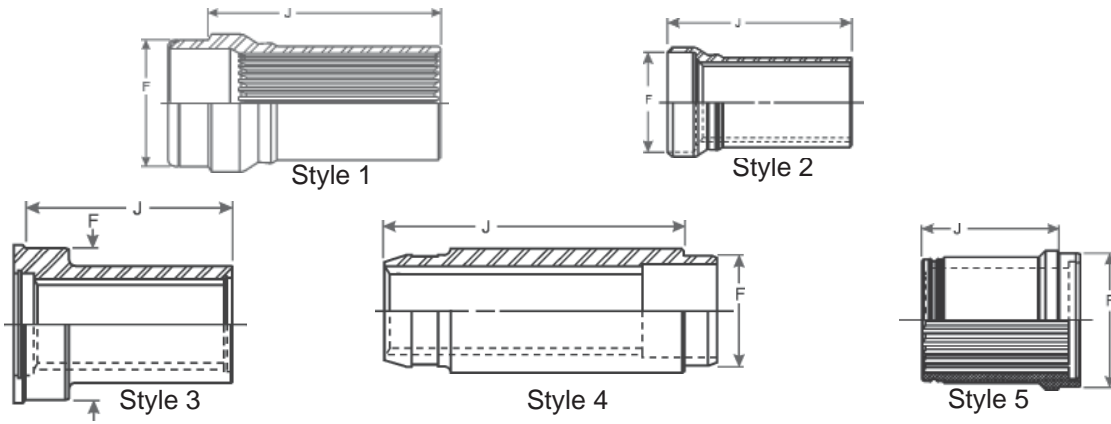


J Flange Face to End of Spline	F Pilot Diameter F-Female/M-Male	Bolt Hole			Dust Cap & Washer Kit Part Number	Slip Yoke Assembly Part Number
		B - Bolt Circle Diameter	Diameter D-Drilled/T-Tapped	# of Holes		
1610 SERIES		E-5.312 D-1.875 USE KIT 5-279X OR 5-674X				
1.939-30 Involute Spline						
5.250	3.749 M	4.750	.509 D	8	90-86-18	5-3-3211KX
<i>Use lube fitting 500174-1; order separately</i>						

• Part is discontinued ■ Part is available until supply is exhausted ▲ Not sold separately



Important: See Safety Information in General Information Section (J300P-GI)



J	Style	Fits Tube/ Tube Yoke Part Number	Mates w/ Part Number	F	Splined Sleeve Detail	Slinger Part Number	Slip Sleeve Assembly Part Number
End of Spline to Weld				Butt Diameter			
SPL140 SERIES							
3.071-30 Involute Spline							
6.713	1	100-30-3	140-82-21X	3.937	140-55-11	232755	140-55-21X
SPL170 SERIES							
3.053-30 Involute Spline							
8.539	1	36-30-102	5010631	4.243	—	—	170-55-10626 <i>Sleeve Only-No Assembly</i>
8.539	1	36-30-102	5010631	4.243	—	—	5010626 <i>5010626 was replaced by 170-55-10626; Sleeve Only-No Assembly</i>
11.043	2	5013415	5010631	4.104	—	—	170-55-13487-1 <i>Sleeve Only-No Assembly</i>
11.043	2	5013415	5010631	4.104	—	—	5013487-1 <i>5013487-1 was replaced by 170-55-13487-1; Sleeve Only-No Assembly</i>
3.465-32 Based On 34 Involute Spline							
5.137	2	170-28-37	170-82-191X	4.344	—	—	170-55-151 <i>Sleeve Only-No Assembly</i>
5.826	2	—	170-28-37	4.350	—	—	170-55-11368 <i>Sleeve Only-No Assembly</i>
5.826	2	—	170-28-37	4.350	—	—	5011368 <i>Sleeve Only-No Assembly</i>
7.205	2	170-28-37	170-82-131X	4.346	—	—	170-55-81 <i>Sleeve Only-No Assembly</i>
7.590	2	170-28-37	170-82-101X	4.346	—	—	170-55-61 <i>Sleeve Only-No Assembly</i>
7.972	1	110-30-5	170-82-71X	4.350	170-55-11-2	232700	170-55-21-2X
7.984	2	170-28-37	170-82-71X	4.346	170-55-51-1		170-55-51-1
8.771	2	170-28-37	170-82-71X	4.346	170-55-51-2		170-55-51-2
9.153	1	110-30-5	170-82-61X	4.350	170-55-11-1	232700	170-55-21-1X
9.559	2	170-28-37	170-82-71X	4.346	170-55-51-3		170-55-51-3
10.346	2	170-28-37	170-82-71X	4.346	170-55-51-4		170-55-51-4
SPL250 SERIES							
3.858 (98.0mm)-36 Based On 38 Involute Spline							
4.134	1	—	250-28-37	4.744	—	—	250-55-61 <i>Sleeve Only-No Assembly</i>
6.909	1	120-30-*	—	4.744	250-55-21	232696	250-55-31X <i>Fits all 120-30 tubes</i>

• Part is discontinued ■ Part is available until supply is exhausted ▲ Not sold separately
* = Tube Length

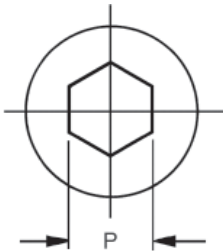
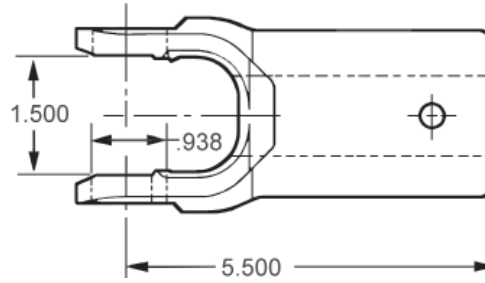


J End of Spline to Weld	Style	Fits Tube/ Tube Yoke Part Number	Mates w/ Part Number	F Butt Diameter	Splined Sleeve Detail	Slinger Part Number	Slip Sleeve Assembly Part Number
1310 SERIES							
1.375-16 Spline							
5.030	4	2-28-3707X	211256X	—	—	—	2-55-51• <i>Sleeve Only-No Assembly</i>
3.002-22 Based On 23 Involute Spline							
3.580	5	32-38-12	2-82-1901X	3.854	2-55-141	6.5-68-64	2-55-258X <i>Material: Aluminum</i>
1330 SERIES							
3.000-24 Spline							
7.524	1	—	5004948	3.355	5003494	—	5005921 <i>Alum slip jt. assy, used w/3.500 o.d. alum tube</i>
3.002-22 Based On 23 Spline							
4.910	5	—	2-82-1971X	3.815	5002371	6.5-68-64	2-55-02372X <i>Mat'l: alum, used w/4.500 o.d. alum tube</i>
4.910	5	—	2-82-1971X	3.815	5002371	6.5-68-64	5002372 <i>5002372 was replaced by 2-55-02372X; Mat'l: alum, used w/4.500 o.d. alum tube</i>
3.002-22 Based On 23 Involute Spline							
3.910	5	—	2-82-1971X	3.854	2-55-181	6.5-68-64	2-55-268X• <i>Mat'l: alum, used w/4.000 o.d. alum tube</i>
4.910	1	—	2-82-1961	3.854	—	—	2-55-278X <i>Mat'l: alum, used w/4.000 o.d. alum tube</i>
1350 SERIES							
3.000-24 Spline							
6.275	5	—	5005288	4.888	5006299	—	5007951 <i>Alum slip jt. assy. used w/4.500 o.d. alum tube</i>
6.275	5	—	5005288	4.888	5006303	—	5007952 <i>Alum slip jt. assy, used w/5.000 alum tube</i>
1410 SERIES							
1.750-16 Spline							
4.410	3	211140X-*	3-82-781	2.594	3-55-33	4-68-143	3-55-38X
1550 SERIES							
2.000-16 Spline							
4.560	3	210833X-*	4-82-211	3.320	4-55-43	4-68-43	4-55-48X
1710 SERIES							
2.500-16 Spline							
5.720	3	211110X-*	6-82-1131-2	5.020	6-55-43	6.5-68-13	6-55-38X
1810 SERIES							
3.000-16 Spline							
7.750	3	211570X-*	6.5-82-451-1	5.757	8-55-103	6.5-68-23	8-55-113X
7.750	3	211180X-*	6.5-82-451-1	5.020	8-55-33	6.5-68-23	8-55-43X

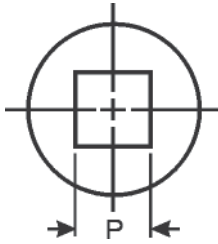
• Part is discontinued ■ Part is available until supply is exhausted ▲ Not sold separately
 * = Tube Length



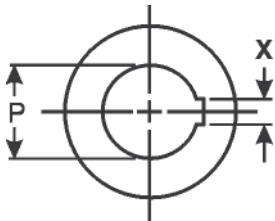
Slip Yoke Assemblies Hex, Square and Round Hole



P Hex Across Flats	Lube Fitting Part Number	Slip Yoke Assembly Number
1000 SERIES	K-1.500 D-.938	USE KIT 5-170X
.875	500174-1	10-3-162X
1.125	500174-1	10-3-32X



P Square Hole Across Flats	Lube Fitting Part Number	Slip Yoke Assembly Number
1000 SERIES	K-1.500 D-.938	USE KIT 5-170X
.750	500174-1	10-3-12X
.875	500174-1	10-3-22X
1.000	500174-1	10-3-122X

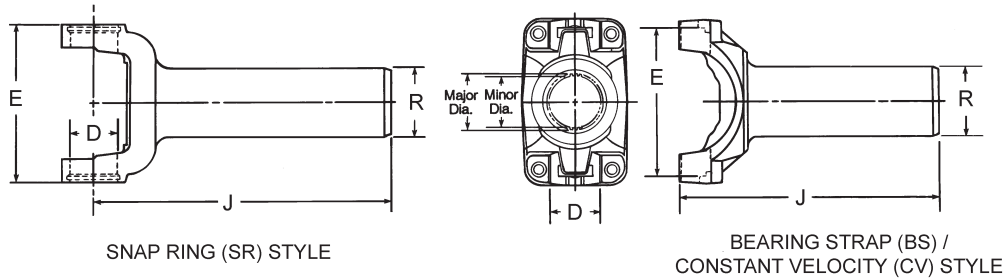


P Round Hole Diameter	X SAE Keyway Width	Lube Fitting Part Number	Slip Yoke Assembly Number
1000 SERIES	K-1.500 D-.938		USE KIT 5-170X
.750	.188	500174-1	10-3-13X
.812	.250	500174-1	10-3-23X
.875	.250	500174-1	10-3-33X
1.000	.250	500174-1	10-3-83X
1.125	.312	500174-1	10-3-183X
1.250	.312	500174-1	10-3-163X

• Part is discontinued ■ Part is available until supply is exhausted ▲ Not sold separately



Slip Yoke Assemblies For Transmission Applications



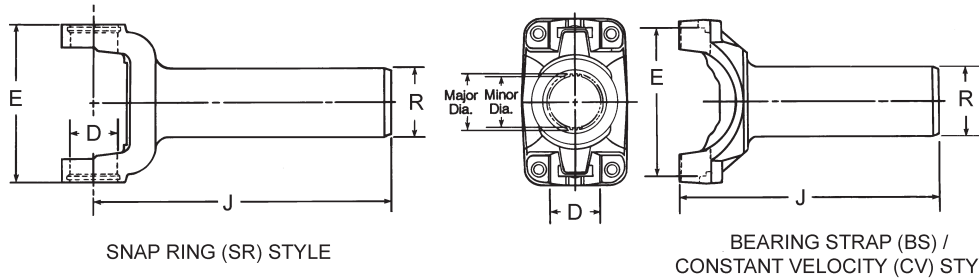
J C/L to End End of Spline	R Ground Hub Diameter	Counterbore		Style	Slip Yoke Plug Part Number	Slip Yoke Assembly Part Number
		Diameter	Depth			
SPL55 SERIES		E-4.440 D-1.374		USE KIT 5-803X, 5-804X, SPL55-1X, SPL55-2X		
1.615-30 Based On 31 Involute Spline						
8.339	2.200	—	—	SR	500166-28	55-3-21X
1.616-30 Based On 31 Involute Spline						
8.339	2.200	—	—	SR	500166-28	55-3-01672X
8.339	2.200	—	—	SR	500166-28	5001672
<i>5001672 was replaced by 55-3-01672X</i>						
1.748-33 Based On 34 Involute Spline						
9.291	2.300	—	—	SR	500166-29	3-3-17529X <i>Nickel Plated</i>
9.291	2.300	—	—	SR	500166-29	5017529
<i>5017529 was replaced by 3-3-17529X; Nickel Plated</i>						
1210 SERIES		E-2.688 D-1.062		USE KIT 5-443X		
1.113-24 Based On 25 Involute Spline						
5.875	1.374	—	—	SR	500166-20	2-3-10071X•
1310 SERIES		E-3.469 D-1.062		USE KIT 5-153X, 5-785X, 5-810X		
1.005-22 Based On 24 Involute Spline						
6.045	1.376	1.043	.390	SR	500166-20	2-3-13461X
1.104-20 Based On 21 Involute Spline						
6.000	1.496	—	—	SR	500166-20	2-3-9701X
1.113-24 Based On 25 Involute Spline						
6.500	1.375	—	—	SR	500166-20	2-3-8431X
8.250	1.374	1.194	2.890	SR	2-68-153	2-3-8891X•
1.123-24 Based On 26 Involute Spline						
6.040	1.494	1.142	.390	SR	500166-20	2-3-11731X
6.045	1.494	1.160	.390	SR	500166-20	2-3-13891X
1.125-10 Spline						
3.469	1.625	—	—	SR	2-68-44	2-3-7501X
3.469	1.641	—	—	SR	2-68-44	2-3-11551X•
1.158-25 Based On 26 Involute Spline						
6.000	1.558	—	—	SR	500166-20	2-3-8731X
6.000	1.558	—	—	SR	500166-20	2-3-9781X
1.172-16 Spline						
4.875	1.500	—	—	SR	500166-20	2-3-1331X
1.176-26 Based On 27 Involute Spline						
4.875	1.500	—	—	SR	500166-20	2-3-4911X
4.891	1.500	1.260	.500	SR	500166-20	2-3-9211X
<i>Corvette w/o vibration dampener; C-bore @ Hub End</i>						
4.891	1.502	—	—	SR	500166-20	2-3-10501X
5.469	1.500	—	—	SR	500166-20	2-3-6081X

• Part is discontinued ■ Part is available until supply is exhausted ▲ Not sold separately



Important: See Safety Information in General Information Section (J300P-GI)

Slip Yoke Assemblies For Transmission Applications



J C/L to End End of Spline	R Ground Hub Diameter	Counterbore		Style	Slip Yoke Plug Part Number	Slip Yoke Assembly Part Number
		Diameter	Depth			
1310 SERIES (Continued) E-3.469 D-1.062				USE KIT 5-153X, 5-785X, 5-810X		
1.176-26 Based On 27 Involute Spline (Continued)						
5.469	1.500	—	—	SR	2-68-23	2-3-9191X
5.750	1.500	—	—	SR	500166-20	2-3-13051X <i>Hub diameter not ground</i>
5.750	1.502	—	—	SR	500166-20	2-3-14771X• <i>Nickel Plated</i>
5.750	1.502	—	—	SR	500166-20	2-3-12411X
5.750	1.602	—	—	SR	500166-20	2-3-15321X <i>W/4.500" OD dampener</i>
6.000	1.499	—	—	SR	500166-20	2-3-10391X
6.420	1.502	1.232	.590	SR	500166-20	2-3-11071X
6.620	1.502	—	—	SR	500166-20	2-3-15341X <i>Nickel Plated</i>
7.620	1.502	—	—	SR	500166-20	2-3-14871X• <i>Nickel plated yoke w/vibration dampener</i>
7.620	1.502	—	—	SR	500166-20	2-3-14861X <i>Nickel Plated</i>
1.201-23 Involute Spline						
5.750	1.578	—	—	SR	2-68-343	2-3-11721X
5.750	1.578	—	—	SR	2-68-343	2-3-11721KX• <i>Toyota yoke w/slinger</i>
1.220-27 Based On 28 Involute Spline						
5.390	1.496	—	—	SR	2-68-83	2-3-10761X
6.500	1.491	—	—	SR	500166-20	2-3-12981X
6.500	1.500	—	—	SR	500166-20	2-3-8251X
7.000	1.497	—	—	SR	500166-20	2-3-12671X
1.220-28 Involute Spline						
6.000	1.500	—	—	SR	500166-20	2-3-4871X
1.250-15 Based On 16 Spline						
5.380	1.700	1.262	.380	SR	2-68-23	2-3-388X• <i>Part has one wide tooth</i>
1.284-28 Based On 30 Involute Spline						
6.165	1.652	1.319	.450	SR	500166-22	2-3-13311X
6.266	1.652	1.320	.390	SR	500166-22	2-3-14001X
7.270	1.652	1.324	.450	SR	500166-22	2-3-12461X
7.420	1.652	1.319	.630	SR	500166-20	2-3-10131X
1.284-29 Based On 30 Involute Spline						
6.750	1.680	—	—	SR	500166-22	2-3-13551X
6.750	1.680	—	—	—	500166-22	2-3-14791X• <i>Nickel Plated</i>
9.330	1.680	—	—	SR	500166-22	2-3-14981X <i>Nickel Plated</i>

• Part is discontinued ■ Part is available until supply is exhausted ▲ Not sold separately



Slip Yoke Assemblies For Transmission Applications

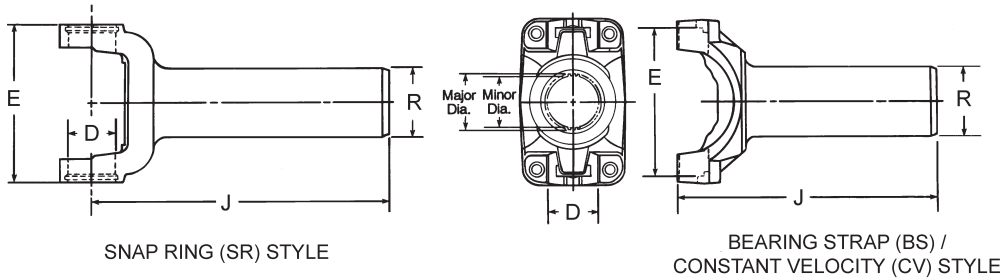


J C/L to End End of Spline	R Ground Hub Diameter	Counterbore		Style	Slip Yoke Plug Part Number	Slip Yoke Assembly Part Number
		Diameter	Depth			
1310 SERIES (Continued) E-3.469 D-1.062				USE KIT 5-153X, 5-785X, 5-810X		
1.375-10 Spline						
2.562	2.120	—	—	SR	—	2-3-9021 <i>Hub dia. not ground</i>
1.377-30 Based On 32 Involute Spline						
6.102	1.731	1.387	.394	SR	500166-22	2-3-15961X <i>Counterbore at hub end</i>
1.378-31 Based On 32 Involute Spline						
4.880	1.885	—	—	SR	500166-22	2-3-13131X
1.390-30 Based On 31 Involute Spline						
7.000	1.684	—	—	SR	500166-22	2-3-15631X•
1.397-31 Based On 32 Involute Spline						
5.188	1.688	1.458	.880	SR	500166-22	2-3-5281X
5.500	1.885	—	—	SR	500166-22	2-3-10431X
1.403-21 Involute Spline						
4.130	2.000	—	—	SR	2-68-154	2-3-9811X
1.564-24 Involute Spline						
4.125	2.000	—	—	SR	2-68-154	2-3-9761X▪
1330 SERIES				SR: E-3.875 OTHERS E-3.625, D-1.062 USE KIT 5-213X,5-790X,5-812X		
1.113-24 Based On 25 Involute Spline						
6.860	1.374	—	—	SR	500166-20	2-3-15471X <i>Nickel plated yoke w/vibration dampener</i>
6.860	1.374	—	—	SR	500166-20	2-3-15461X <i>Nickel Plated</i>
6.860	1.374	—	—	SR	500166-20	2-3-13721X
1.158-25 Based On 26 Involute Spline						
6.180	1.558	—	—	SR	500166-20	2-3-15051X•
7.000	1.558	—	—	SR	500166-20	2-3-14311X <i>Nickel Plated</i>
1.176-26 Based On 27 Involute Spline						
5.470	1.502	—	—	SR	500166-20	2-3-12081X
5.470	1.502	1.218	.390	SR	500166-20	2-3-12361X <i>W/c-bore and vibration dampener</i>
5.470	1.502	1.218	.390	SR	500166-20	2-3-12371X•
5.760	1.502	—	—	SR	500166-20	2-3-13671X•
6.417	1.502	1.216	.590	SR	500166-20	2-3-15751X•
6.760	1.502	1.217	.410	SR	500166-20	2-3-11781X
6.760	1.502	1.217	.410	SR	500166-20	5010254 <i>5010254 was replaced by 2-3-11781X</i>
6.760	1.502	1.217	.410	SR	2-68-23	2-3-12051X
7.290	1.558	—	—	SR	500166-20	2-3-14171X• <i>Nickel Plated</i>
7.290	1.558	—	—	SR	500166-20	2-3-14191X
1.177-26 Based On 27 Involute Spline						
6.760	1.500	1.225	.300	SR	2-68-23	5001433 <i>5001433 was replaced by 2-3-01433X; Nickel Plated w/c'bore at end</i>
6.760	1.502	1.217	.300	SR	2-68-23	2-3-01433X <i>Nickel Plated w/c'bore at end</i>

• Part is discontinued ▪ Part is available until supply is exhausted ▲ Not sold separately



Slip Yoke Assemblies For Transmission Applications



J C/L to End End of Spline	R Ground Hub Diameter	Counterbore		Style	Slip Yoke Plug Part Number	Slip Yoke Assembly Part Number
		Diameter	Depth			
1330 SERIES (Cont'd) SR: E-3.875 OTHERS E-3.625, D-1.062 USE KIT 5-213X,5-790X,5-812X						
1.201-23 Involute Spline						
6.319	1.574	—	—	SR	2-68-343	2-3-02274X
6.319	1.574	—	—	SR	2-68-343	5002274
7.106	1.574	—	—	SR	2-68-343	5002278
					<i>5002278 was replaced by 2-3-02278X</i>	
7.106	1.574	—	—	SR	2-68-343	2-3-02278X
1.219-27 Based On 28 Involute Spline						
5.920	1.500	—	—	SR	500166-20	2-3-13011X [▲]
5.920	1.594	—	—	SR	500166-20	2-3-13031X
5.922	1.585	—	—	SR	500166-20	2-3-11891X
1.220-27 Based On 28 Involute Spline						
5.906	1.500	—	—	SR	500166-20	2-3-5981X
6.630	1.597	—	—	SR	500166-20	2-3-14061X
7.860	1.497	—	—	SR	500166-20	2-3-13691X
					<i>Same as 2-3-13701X, exc. w/o dampener</i>	
7.860	1.497	—	—	SR	500166-20	2-3-13701X• <i>W/vibration dampener</i>
1.284-29 Based On 30 Involute Spline						
8.030	1.680	1.440	1.440	SR	500166-20	2-3-14031X <i>Nickel Plated</i>
8.030	1.680	1.440	1.440	SR	500166-22	2-3-14261X•
9.000	1.680	—	—	SR	500166-22	2-3-12621X
					<i>Nickel plated yoke w/vibration dampener</i>	
9.000	1.680	—	—	SR	500166-20	2-3-14221X• <i>W/vibration dampener</i>
9.000	1.680	—	—	SR	500166-22	2-3-14211X•
1.370-16 Based On 19 Involute Spline						
7.106	1.770	—	—	SR	5002153	5002150
					<i>5002150 was replaced by 2-3-02150X; Spline has three partial teeth missing</i>	
7.106	1.770	—	—	SR	5002153	2-3-02150X <i>Spline has three partial teeth missing</i>
1.377-30 Based On 32 Involute Spline						
6.102	1.731	1.375	.393	SR	500166-22	2-3-16011X• <i>Includes boot can</i>
1.378-30 Based On 32 Involute Spline						
6.102	1.731	1.375	.393	SR	500166-22	2-3-15871X
8.464	1.731	1.385	.393	SR	500166-22	2-3-02091X
8.464	1.731	1.385	.393	SR	500166-22	5002091
6.760	1.885	—	—	SR	500166-22	2-3-10831X

• Part is discontinued ■ Part is available until supply is exhausted ▲ Not sold separately



Slip Yoke Assemblies For Transmission Applications

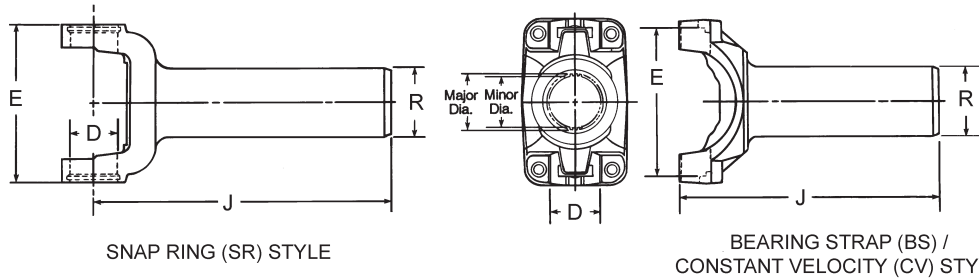
J C/L to End End of Spline	R Ground Hub Diameter	Counterbore		Style	Slip Yoke Plug Part Number	Slip Yoke Assembly Part Number
		Diameter	Depth			
1330 SERIES (Cont'd) SR: E-3.875 OTHERS E-3.625, D-1.062 USE KIT 5-213X,5-790X,5-812X						
1.378-31 Based On 32 Involute Spline						
6.760	1.885	—	—	SR	2-68-143	2-3-12191X•
6.760	1.885	—	—	SR	500166-24	2-3-13811X•
7.250	1.885	—	—	SR	500166-22	2-3-14241X <i>Nickel Plated</i>
7.720	1.885	—	—	SR	500166-24	2-3-14831X <i>Nickel Plated</i>
7.720	1.885	—	—	SR	500166-24	2-3-13881X• <i>OEM Only</i>
7.940	1.885	1.410	.220	SR	500166-24	2-3-10791X
8.640	1.885	—	—	SR	500166-22	2-3-14281X <i>Nickel Plated</i>
1.390-30 Based On 31 Involute Spline						
6.000	1.688	—	—	SR	500166-22	2-3-6041X
7.000	1.885	—	—	SR	500166-22	2-3-10201X
7.460	1.886	—	—	CV	500166-22	2-3-12961X <i>C.V. Yoke-Nickel Plated</i>
1.401-32 Based On 34 Involute Spline						
8.465	1.770	—	—	SR	500166-20	2-3-03207X
8.465	1.770	—	—	SR	500166-20	5003207 <i>5003207 was replaced by 2-3-03207X</i>
1.406-32 Based On 34 Involute Spline						
8.456	1.770	—	—	SR	500166-22	2-3-04846X
8.456	1.770	—	—	SR	500166-22	5004846 <i>5004846 was replaced by 2-3-04846X</i>
8.464	1.770	—	—	SR	500166-22	3-3-08189X
8.465	1.771	1.438	.393	SR	500166-22	2-3-15891X
8.465	1.771	1.438	.393	SR	500166-22	2-3-04410X
8.465	1.771	1.438	.393	SR	500166-22	5004410 <i>5004410 was replaced by 2-3-04410X</i>
1350 SERIES		E-3.875 D-1.188		USE KIT 5-178X OR 5-799X		
1.176-26 Based On 27 Involute Spline						
6.940	1.502	1.218	.410	SR	2-68-23	3-3-4281X
6.940	1.502	1.218	.410	SR	500166-20	3-3-3721X
1.201-20 Based On 23 Involute Spline						
7.106	1.574	—	—	SR	—	5004083• <i>OEM Only</i>
1.230-20 Based On 23 Involute Spline						
7.106	1.574	—	—	SR	2-68-343	5016999• <i>OEM Only</i>
1.284-29 Based On 30 Involute Spline						
9.512	1.681	—	—	SR	500166-22	5015498 <i>OEM Only</i>
9.519	1.680	—	—	SR	500166-22	5016138 <i>OEM Only</i>
1.326-29 Based On 30 Involute Spline						
6.630	1.680	—	—	SR	500166-22	3-3-3931X
7.779	1.885	—	—	SR	500166-22	5002231 <i>5002231 was replaced by 3-3-02231X</i>
7.779	1.885	—	—	SR	500166-22	3-3-02231X

• Part is discontinued ■ Part is available until supply is exhausted ▲ Not sold separately



Important: See Safety Information in General Information Section (J300P-GI)

Slip Yoke Assemblies For Transmission Applications



J C/L to End End of Spline	R Ground Hub Diameter	Counterbore		Style	Slip Yoke Plug Part Number	Slip Yoke Assembly Part Number
		Diameter	Depth			
1350 SERIES (Continued) E-3.875 D-1.188					USE KIT 5-178X OR 5-799X	
1.375-31 Based On 32 Involute Spline						
6.938	1.886	—	—	SR	3-68-33	3-3-6481X <i>1/8" hole in welch plug</i>
6.940	1.886	—	—	SR	500166-24	3-3-6361X•
1.378-30 Based On 32 Involute Spline						
6.100	1.731	1.388	.394	SR	500166-22	3-3-7091X <i>without slinger</i>
1.378-31 Based On 32 Involute Spline						
5.500	1.885	—	—	SR	500166-24	3-3-2431X
6.938	1.886	—	—	SR	500166-24	3-3-5571X
6.938	1.886	—	—	SR	3-68-33	3-3-4261X
7.720	1.885	—	—	SR	500166-24	3-3-6871X <i>Nickel Plated</i>
7.720	1.886	—	—	SR	500166-24	3-3-6441X
7.940	1.886	1.430	.220	SR	500166-24	3-3-5551X
8.432	1.885	—	—	SR	500166-24	5010279•
1.390-30 Based On 31 Involute Spline						
6.440	1.685	—	—	SR	500166-22	3-3-2491X
6.570	1.684	—	—	SR	500166-22	3-3-5961X
7.310	1.885	—	—	SR	500166-23	3-3-5431X
7.460	1.885	—	—	CV	500166-22	3-3-4531X• <i>CV yoke-OEM only</i>
7.460	1.885	—	—	CV	500166-22	3-3-5861X <i>C.V. Yoke-Nickel Plated</i>
1.401-32 Based On 34 Involute Spline						
8.465	1.770	—	—	SR	500166-20	5002464• <i>OEM Only</i>
1.403-21 Involute Spline						
5.310	1.830	—	—	SR	500166-24	3-3-848X <i>Hub dia. not ground</i>
1.496-22 Involute Spline						
7.106	1.930	—	—	SR	500166-24	5015119 <i>5015119 was replaced by 3-3-15119X</i>
7.106	1.930	—	—	SR	232923	5004082• <i>OEM Only</i>
7.106	1.930	—	—	SR	500166-24	3-3-15119X
1.533-22 Based On 32 Involute Spline						
7.106	1.930	—	—	SR	500166-24	5016994• <i>OEM Only</i>

• Part is discontinued ■ Part is available until supply is exhausted ▲ Not sold separately



Slip Yoke Assemblies For Transmission Applications



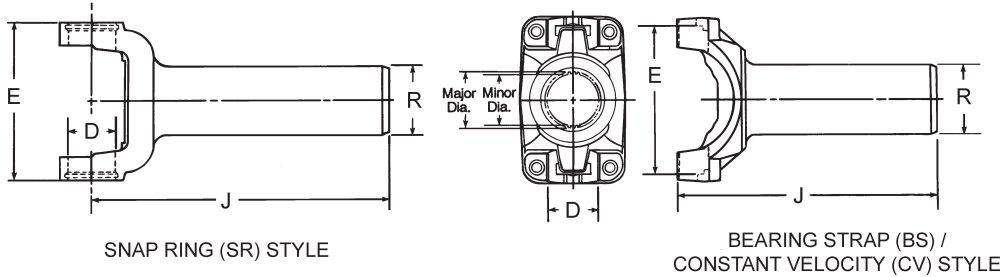
J C/L to End End of Spline	R Ground Hub Diameter	Counterbore		Style	Slip Yoke Plug Part Number	Slip Yoke Assembly Part Number
		Diameter	Depth			
1410 SERIES		E-4.438 D-1.188		USE KIT 5-160X OR 5-801X		
1.284-29 Based On 30 Involute Spline						
8.340	1.680	—	—	SR	500166-22	3-3-6121X <i>Nickel Plated</i>
8.340	1.680	1.440	1.440	SR	500166-22	3-3-4181X
8.340	1.680	1.440	1.440	SR	500166-22	3-3-4851X <i>Nickel Plated</i>
8.340	2.161	1.440	1.440	SR	500166-22	5002035•
8.340	2.161	1.440	1.440	SR	500166-22	3-3-02035X ▲
8.344	1.688	—	—	SR	500166-22	3-3-6131X <i>Nickel plated yoke w/vibration dampener</i>
1.326-29 Based On 30 Involute Spline						
8.340	1.680	1.440	1.440	SR	500166-22	3-3-3251X
8.340	1.680	1.440	1.440	SR	500166-22	3-3-3271X <i>Nickel Plated</i>
1.378-30 Based On 32 Involute Spline						
6.100	1.731	1.387	.394	SR	500166-22	3-3-04624X
6.100	1.731	1.387	.394	SR	500166-22	5004624 <i>5004624 was replaced by 3-3-04624X</i>
1.378-31 Based On 32 Involute Spline						
6.940	1.885	—	—	SR	3-68-23	3-3-6471X•
6.940	1.885	—	—	SR	500166-24	3-3-6321X
6.940	1.885	—	—	SR	500166-24	3-3-6811X•
7.750	1.885	—	—	SR	500166-22	3-3-3811X
7.750	1.885	—	—	SR	500166-22	3-3-3891X <i>Nickel Plated</i>
8.070	1.885	—	—	SR	500166-24	5001646 <i>5001646 was replaced by 3-3-01646X; Nickel Plated</i>
8.070	1.885	—	—	SR	500166-24	3-3-6421X
8.070	1.885	—	—	SR	500166-24	3-3-01646X <i>Nickel Plated</i>
8.750	1.885	—	—	SR	500166-22	3-3-4401X
8.750	1.886	—	—	SR	500166-22	3-3-4211X <i>W/vibration dampener</i>
1.390-30 Based On 31 Involute Spline						
8.110	1.885	—	—	SR	500166-22	3-3-6001X• <i>Nickle Plated - OEM only</i>
8.110	1.885	—	—	SR	500166-22	3-3-6661X
1.406-34 Involute Spline						
8.465	1.770	—	—	SR	500166-22	3-3-18190X ▲ <i>Nickel Plated</i>
1.500-35 Based On 37 Involute Spline						
6.102	1.888	1.535	.254	SR	500166-24	5013341 <i>OEM Only</i>
1.551-33 Based On 34 Involute Spline						
8.110	2.086	—	—	SR	500166-26	3-3-7041X <i>Nickel Plated</i>
1.615-30 Based On 31 Involute Spline						
7.750	2.200	—	—	SR	500166-28	3-3-5631X
8.340	2.200	—	—	SR	500166-28	3-3-4391X
8.340	2.200	—	—	SR	500166-28	3-3-4131X <i>same as 3-3-4391x except w/vibration dampener</i>

• Part is discontinued ■ Part is available until supply is exhausted ▲ Not sold separately



Important: See Safety Information in General Information Section (J300P-GI)

Slip Yoke Assemblies For Transmission Applications



J C/L to End End of Spline	R Ground Hub Diameter	Counterbore		Style	Slip Yoke Plug Part Number	Slip Yoke Assembly Part Number
		Diameter	Depth			
1410 SERIES (Continued) E-4.438 D-1.188					USE KIT 5-160X OR 5-801X	
1.615-30 Based On 31 Involute Spline (Continued)						
8.340	2.200	1.655	.270	SR	500166-28	3-3-6541X <i>Counterbore at hub end</i>
8.344	2.201	—	—	SR	500166-28	3-3-6141X• <i>W/vibration dampener</i>
8.344	2.201	—	—	SR	500166-28	3-3-3441X
1.616-30 Based On 31 Involute Spline						
7.750	2.200	—	—	SR	500166-28	3-3-5611X <i>Nickel Plated</i>
8.340	2.200	1.655	.270	SR	500166-28	5001683 <i>5001683 was replaced by 3-3-01683X; Nickel Plated</i>
8.340	2.200	1.655	.270	SR	500166-28	3-3-01683X <i>Nickel Plated</i>
1480 SERIES E-4.438 D-1.375					USE KIT 5-188X, 5-803X OR 5-804X	
1.390-30 Based On 31 Involute Spline						
6.870	1.885	—	—	SR	500166-23	3-3-6021X
1.654-20 Involute Spline						
4.560	2.380	—	—	SR	500166-26	3-3-3151X <i>Hub dia. not ground</i>
1550 SERIES E-5.250 D-1.375					USE KIT 5-155X, 5-808X OR 5-809X	
1.875-14 Involute Spline						
4.203	3.000	—	—	SR	500166-31	4-3-1961X•
4.703	2.750	—	—	SR	500166-31	4-3-1951X
2.372-46 Involute Spline						
4.880	3.125	—	—	SR	500166-46	4-3-2441X <i>Includes flinger</i>

• Part is discontinued ■ Part is available until supply is exhausted ▲ Not sold separately





1-3-18KX..... 3	2-3-12621X 20	2-3-15631X• 19	2-3-8861X..... 4
1-3-88KX..... 3	2-3-12671X 18	2-3-15651X..... 5	2-3-8891X• 17
2-3-01433X 19	2-3-12881X..... 4	2-3-15751X• 19	2-3-8921X..... 5
2-3-02091X 20	2-3-128KX..... 4	2-3-15871X 20	2-3-8941KX• 5
2-3-02150X 20	2-3-12961X 21	2-3-15891X 21	2-3-9031X▲ 4
2-3-02274X 20	2-3-12981X 18	2-3-15941X..... 4	2-3-9191X 18
2-3-02278X 20	2-3-13011X▲ 20	2-3-15961X 19	2-3-9211X 17
2-3-03207X 21	2-3-13031X..... 20	2-3-16011X• 20	2-3-9371X•..... 5
2-3-04410X 21	2-3-13051X 18	2-3-16221X..... 5	2-3-9701X 17
2-3-04846X 21	2-3-13131X 19	2-3-178KX..... 4	2-3-9761X■ 19
2-3-06028X..... 5	2-3-13221X 5	2-3-1931KX..... 5	2-3-9781X 17
2-3-10021X 4	2-3-13311X 18	2-3-198KX..... 4	2-3-9811X 19
2-3-10071X• 17	2-3-1331X 17	2-3-258KX..... 4	2-3-9991X..... 4
2-3-10131X 18	2-3-13461X 17	2-3-348KX..... 4	2-55-02372X 15
2-3-10201X 21	2-3-13551X 18	2-3-388X• 18	2-55-258X 15
2-3-10261KX..... 5	2-3-13571X•..... 5	2-3-3951KX..... 4	2-55-268X• 15
2-3-10391X 18	2-3-13671X• 19	2-3-4071KX..... 4	2-55-278X 15
2-3-10411X 4	2-3-13691X 20	2-3-4441KX..... 4	2-55-51• 15
2-3-10431X 19	2-3-13701X• 20	2-3-4681KX..... 6	3-3-01646X 23
2-3-10501X 17	2-3-13721X 19	2-3-4871X 18	3-3-01683X 24
2-3-10521X..... 4	2-3-13811X• 21	2-3-4911X 17	3-3-02035X▲ 23
2-3-10571KX•..... 6	2-3-13831X..... 5	2-3-4951KX 4	3-3-02231X 21
2-3-10641KX•..... 5	2-3-13881X• 21	2-3-5221X 5	3-3-04624X 23
2-3-10661X■..... 4	2-3-13891X 17	2-3-5281X 19	3-3-08019X..... 7
2-3-10761X 18	2-3-14001X 18	2-3-5821X 5	3-3-08189X..... 21
2-3-10791X 21	2-3-14031X 20	2-3-5981X 20	3-3-118KX..... 7
2-3-10801X•..... 5	2-3-14061X 20	2-3-6041X 21	3-3-1421KX..... 6
2-3-10831X 20	2-3-14171X• 19	2-3-6061KX..... 5	3-3-1481KX..... 7
2-3-10871X• 6	2-3-14191X 19	2-3-6081X 17	3-3-1501KX..... 6
2-3-11071X 18	2-3-14211X• 20	2-3-7171KX..... 5	3-3-15119X 22
2-3-11351X•..... 4	2-3-1421KX..... 4	2-3-7461X 5	3-3-1511KX..... 8
2-3-11491KX..... 5	2-3-14221X• 20	2-3-7481X• 6	3-3-1561KX..... 7
2-3-11551X• 17	2-3-14241X 21	2-3-7501X 17	3-3-1601KX..... 8
2-3-11721KX• 18	2-3-14261X• 20	2-3-7661KX..... 4	3-3-1621KX..... 8
2-3-11721X 18	2-3-14281X 21	2-3-7681KX..... 5	3-3-1641KX..... 8
2-3-11731X 17	2-3-14311X 19	2-3-7691KX..... 5	3-3-1701KX 8
2-3-11781X 19	2-3-14331X..... 5	2-3-7961KX..... 6	3-3-17529X 17
2-3-11891X 20	2-3-1461KX..... 4	2-3-7981KX..... 4	3-3-18190X▲ 23
2-3-11991KX•..... 5	2-3-14771X• 18	2-3-8001KX..... 5	3-3-1831KX..... 8
2-3-11991X• 5	2-3-14791X• 18	2-3-8021KX..... 5	3-3-2041KX..... 7
2-3-12031KX 6	2-3-14831X 21	2-3-8041KX..... 6	3-3-2431X 22
2-3-12051X 19	2-3-14861X 18	2-3-8111KX•..... 6	3-3-2471KX..... 6
2-3-12081X 19	2-3-14871X• 18	2-3-8251X 18	3-3-2491X 22
2-3-12191X• 21	2-3-14981X 18	2-3-8311X 5	3-3-2591KX..... 6
2-3-12301KX..... 4	2-3-15051X• 19	2-3-8431X 17	3-3-2681KX 7
2-3-12361X 19	2-3-15101X..... 4	2-3-8481X 5	3-3-2701KX..... 6
2-3-12371X• 19	2-3-15321X 18	2-3-8731X 17	3-3-2801KX..... 6
2-3-12411X 18	2-3-15341X 18	2-3-8741X 5	3-3-2861X 6
2-3-12421X..... 4	2-3-15461X 19	2-3-8811X• 4	3-3-2931KX• 7
2-3-12461X 18	2-3-15471X 19	2-3-8841KX..... 4	3-3-2991X..... 7



3-3-3001X 6	3-3-598KX..... 7	4-3-2121KX..... 9	6.5-3-1761X 11
3-3-3121X 8	3-3-6001X• 23	4-3-2141KX..... 9	8-3-391KX 11
3-3-3151X 24	3-3-6021X 24	4-3-2441X 24	8-3-411KX 11
3-3-3251X 23	3-3-6041X• 8	4-55-48X 15	8-3-431KX 11
3-3-3271X 23	3-3-6061X..... 8	5-3-108KX 10	8-55-113X 15
3-3-3311KX..... 7	3-3-6121X 23	5-3-128KX• 10	8-55-43X 15
3-3-3381X..... 7	3-3-6131X 23	5-3-1411KX 10	10-3-121KX..... 3
3-3-3401X..... 7	3-3-6141X• 24	5-3-168KX 10	10-3-122X 16
3-3-3441X 24	3-3-6201X..... 6	5-3-1711KX 10	10-3-12X 16
3-3-3461X..... 7	3-3-6321X 23	5-3-198KX 10	10-3-131X..... 3
3-3-3601X..... 7	3-3-6341X..... 7	5-3-2261KX 10	10-3-13X 16
3-3-3721X 21	3-3-6361X• 22	5-3-288KX 10	10-3-162X 16
3-3-3791X 8	3-3-6381X..... 6	5-3-2911X 10	10-3-163X 16
3-3-3811X 23	3-3-6421X 23	5-3-2971X 10	10-3-183X 16
3-3-3871KX..... 8	3-3-6441X 22	5-3-3101KXM 10	10-3-18KX..... 3
3-3-388KX..... 7	3-3-6471X• 23	5-3-3121KX 10	10-3-22X 16
3-3-3891X 23	3-3-6481X 22	5-3-3141KX 10	10-3-23X 16
3-3-3931X 21	3-3-6541X 24	5-3-3211KX..... 13	10-3-291KX..... 3
3-3-398KX..... 7	3-3-6611X 7	5-3-3231X 10	10-3-32X 16
3-3-4131X 23	3-3-6641X• 8	5-3-368KX 10	10-3-33X 16
3-3-4181X 23	3-3-6661X 23	5-3-398X 10	10-3-51X..... 3
3-3-4211X 23	3-3-6701X..... 7	6-3-1481KX 11	10-3-81X..... 3
3-3-4261X 22	3-3-6771X..... 7	6-3-1601KX• 11	10-3-83X 16
3-3-4281X 21	3-3-6791X 7	6-3-1661KX 11	55-3-01672X 17
3-3-4391X 23	3-3-6811X• 23	6-3-2591KX 11	55-3-21X 17
3-3-4401X 23	3-3-6831X..... 7	6-3-2631KX 10	55-3-61X..... 3
3-3-4421X 7	3-3-6871X 22	6-3-2651KX 11	55-3-81X..... 3
3-3-4531X• 22	3-3-6981X..... 6	6-3-2671KX 11	70-3-09115X 3
3-3-4551X• 8	3-3-7001X..... 8	6-3-2721X 10	70-3-21X..... 3
3-3-4651X..... 6	3-3-7021X..... 8	6-3-2741KX 10	70-3-41X..... 3
3-3-468KX..... 7	3-3-7041X 23	6-3-2761KX 10	90-3-21X..... 3
3-3-4781X..... 6	3-3-7091X 22	6-3-2801KX 10	90-3-41X 3
3-3-4851X 23	3-3-748KX 7	6-3-3151KX 11	100-3-41X..... 3
3-3-4871X..... 7	3-3-758KX..... 6	6-3-3171KX 10	140-55-21X 14
3-3-488KX..... 7	3-3-768KX 7	6-3-3211X 10	170-55-21-1X 14
3-3-508KX..... 8	3-3-788KX..... 7	6-3-3441KX 11	170-55-21-2X 14
3-3-5141X• 8	3-3-798KX..... 8	6-3-3461KX 11	170-55-61 14
3-3-5181KX..... 7	3-3-838X..... 8	6-3-3481KX 11	170-55-81 14
3-3-5411KX..... 7	3-3-848X 22	6-3-3501KX 11	170-55-151 14
3-3-5431X 22	3-55-38X 15	6-3-3521KX 10	170-55-10626 14
3-3-5461X..... 6	4-3-08843KX..... 9	6-3-3541KX 10	170-55-11368 14
3-3-5481KX..... 8	4-3-1241KX..... 9	6-3-3611KXM• 11	170-55-13487-1 14
3-3-5491X..... 7	4-3-1261KX..... 9	6-55-38X 15	170-55-51-1 14
3-3-5551X 22	4-3-1411KX..... 9	6.3-3-21KX 11	170-55-51-2 14
3-3-5571X 22	4-3-1431KX..... 9	6.3-3-41KX 11	170-55-51-3 14
3-3-5611X 24	4-3-1751KX..... 9	6.5-3-1351KX 11	170-55-51-4 14
3-3-5631X 23	4-3-1921KX..... 9	6.5-3-1371KX 11	250-55-61 14
3-3-5861X 22	4-3-1951X 24	6.5-3-1431KX 11	250-55-31X 14
3-3-5921KX..... 6	4-3-1961X• 24	6.5-3-1451KX 11	2/3/9021..... 19
3-3-5961X 22	4-3-2041KX 9	6.5-3-1571KX• 11	5001433..... 19



5001646.....	23
5001672.....	17
5001683.....	24
5002091.....	20
5002150.....	20
5002231.....	21
5002274.....	20
5002278.....	20
5002372.....	15
5003207.....	21
5004410.....	21
5004624.....	23
5004846.....	21
5005921.....	15
5006028.....	5
5007951.....	15
5007952.....	15
5008019.....	7
5008843.....	9
5009115.....	3
5010254.....	19
5010626.....	14
5011368.....	14
5013341.....	23
5013487-1	14
5015119.....	22
5015498.....	21
5016138.....	21
5017529.....	17
211391X	6
5002035•	23
5002464•	22
5004082•	22
5004083•	21
5010279•	22
5016994•	22
5016999•	21
5C-3-21X•	12
6C-3-21X	12