

Spicer® Drive Axles

Electric Shift & Air Shift Systems



SPICER®
Drivetrain Products

Service Manual

AXSM-0029

August 2015

General Information

The description, testing procedures, and specifications contained in this service publication were current at the time of printing.

Dana reserves the right to discontinue or modify its models and/or procedures and to change specifications at any time without notice and without incurring obligation.

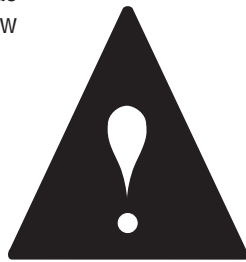
The recommendations of the vehicle manufacturer should be considered as the primary source of service information regarding this Spicer product. This manual is intended to be used as a supplement to such information.

Any reference to brand names in this publication is made simply as an example of the types of tools and materials recommended for use and, as such, should not be considered as an endorsement. Equivalents, if available, may be used.

IMPORTANT NOTICE

This symbol is used throughout this publication to call your attention to areas in which carelessness or failure to follow specific procedures may result in personal injury and/or component malfunction or damage.

Anyone departing from the instructions contained in this publication through procedures used or choice of tools, materials and parts may jeopardize his personal safety and/or the safety of the vehicle user.



WARNINGS: Used in areas where failure to follow listed procedures creates a **high probability of personal injury** to the **servicing technician**.

CAUTIONS: Used in areas where failure to follow listed procedures **may cause personal injury due to component damage or subsequent malfunction**.

Always use genuine Spicer replacement parts.

Electric Shift System

Introduction
 Electric Shift System 1
 Mechanical Operation 2
 Troubleshooting 4

Shift Unit Removal/Disassembly
 Remove Shift Unit 6
 Remove Slider Block 6
 Remove Circuit Board and Motor 6
 Remove Gear and Cam Pins 7
 Cleaning 7
 Lubrication 7
 Sealing 7

Shift Unit Assembly/Installation
 Install Cam Pins and Gear 8
 Install Slider Block 9
 Install Motor 10
 Install Circuit Board 10
 Install Shift Unit 11

Shift Unit Retrofit Kits
 Retrofitting Instructions 11

Servicing Other Electric System Components
 Installation of Improved Motor Housing Cover
 (Production units effective December 1989) 12
 Speedometer Adapter 12
 Control Switch 12

Air Shift System

Introduction
 Air System System 13
 Operation 13
 Air Shift Unit 14
 Description and Operation (Shift Unit) 14
 Troubleshooting 14

Shift Unit Removal/Disassembly
 Remove Shift Unit 16
 Disassemble Shift Unit 16
 Lubrication 17
 Parts Inspection 17

Shift Unit Assembly/Installation
 Assemble Shift Unit 18
 Install Shift Unit 18

Air Shifter Valve Removal/Disassembly
 Remove/Disassemble Air Shifter Valve 19
 Inspection/Lubrication 19

Air Shifter Valve Assembly/Installation
 Assemble/Install Air Shifter Valve 11

Servicing Other Air System Components
 Speedometer Adapter 20
 Solenoid Valve 20
 Quick Release Valve 20
 Pressure Switch 20

Introduction

The service procedures and specifications in this publication cover the current Spicer 2-Speed Axle Shift Systems.

Maintenance and overhaul instructions for the Spicer 2-Speed Axle carriers are covered in the publications listed on the back cover.

This manual includes information on two types of Shift Systems currently in use for Spicer 2-Speed Axles; Electric and Air.

Spicer 2-Speed Axles are driver-controlled by means of a shift unit operated from the vehicle cab. These shift units are activated by air or electric power depending on the convenient source in the chassis.

Because of this variation, this publication is divided into two major segments: Electric Shift System for hydraulic-brake chassis and Air Shift System for air-brake chassis.

Electrical Operation

Note: For component identification and wiring schematic, refer to illustrations on pages 1, 2, 3, and 4.

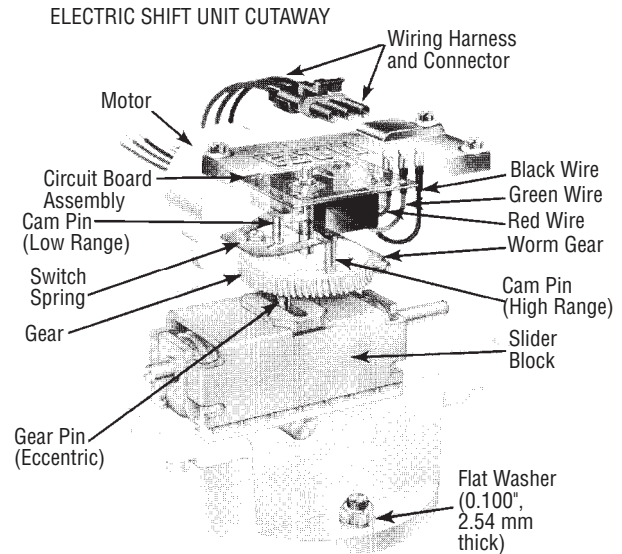
Unit in Low Range Shifting to High Range

Current flows through upper contact of control switch, closed contacts of high-range switch, and motor to ground which starts the motor rotating. Current also continues from common motor terminal through low-range switch and to ground through the resistor.

When motor starts, rotation of the gear allows cam ramp to apply pressure on low-range cam pin, which allows low range switch to open. The path to ground (through resistor) is open and the diode prevents speedometer adapter solenoid from being energized.

Motor rotation continues to shift axle to high range. As shift is completed, cam ramp of gear releases high-speed cam pin to open high-range switch and creates an open circuit to turn off power to motor. Motor rotation is stopped quickly by means of dynamic braking through resistor.

If, during rotation, driver decides to switch back to low range, motor continues to turn.



Opening of high-range switch has no effect since motor is now being powered by the circuit from control switch, through diode and low-range switch to ground at motor. In this instance, motor continues to turn until cam pin opens low-range switch to turn off power to motor.

Unit in High Range Shifting to Low Range

Current flows through control switch lower contact to energize speedometer adapter solenoid and through the diode and low-range switch to common motor terminal and ground at motor. Motor starts rotating. Current also flows through closed contact of high-range switch and to ground through resistor. Once gear rotates enough to apply cam pin pressure on the high switch, circuit to ground through resistor is open.

As motor rotation continues to shift axle to low range, gear rotates and releases cam pin on low-range switch to open switch and open motor circuit. Motor power is turned off. Once again, the resistor portion of the circuit provides braking to stop motor quickly.

If, during motor rotation, driver decides to shift back to high range, the motor continues to turn. Opening of low-range switch has no effect since motor is now being powered through control switch. In this instance, motor continues to turn until gear rotation opens high-range switch to open motor circuit.

The shift unit always remains synchronized with position of driver's control switch.

Mechanical Operation

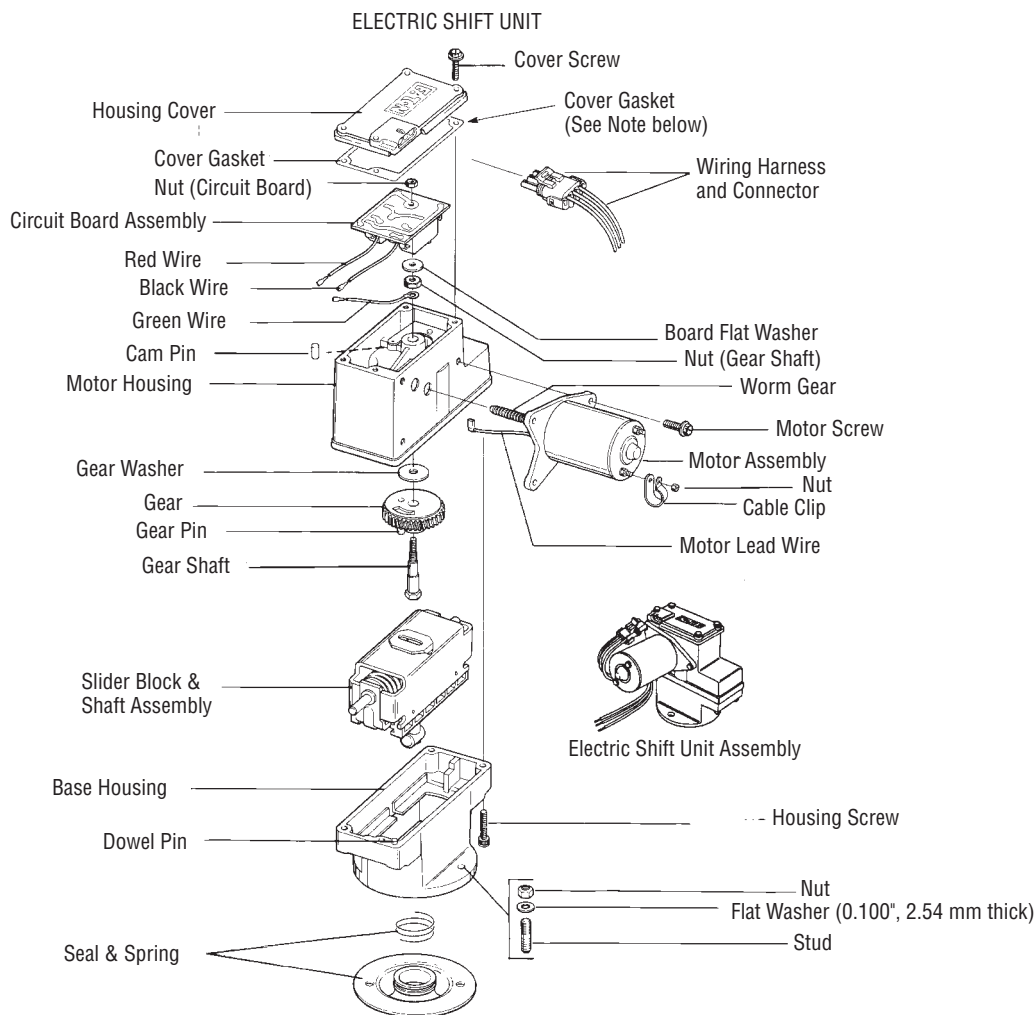
Low to High Range or High to Low Range

When shifting axle range either up or down, motor starts and turns worm gear shaft. The gear assembly (which is meshed with worm gear) turns and moves eccentric pin in slot area of slider block.

Since driving torque holds shift fork and swivel block of the slider block assembly in place, linear motion of slider block is translated into compression of the internal spring.

As motor shuts off at 180° of gear rotation, a break in torque by driver allows spring force (stored in the slider block assembly) to move the swivel pin and shift fork in appropriate direction for axle range change.

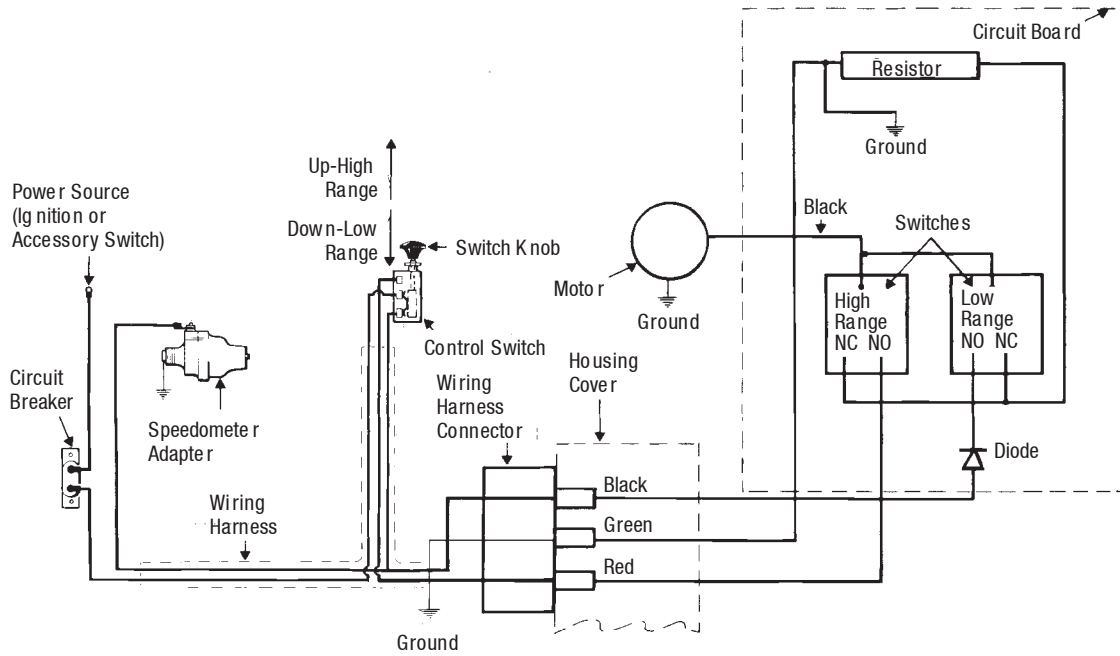
When opposite axle range is selected by driver, the process is repeated by motor turning another 180° in same direction. In this case though, eccentric pin movement creates block spring compression in the opposite direction.



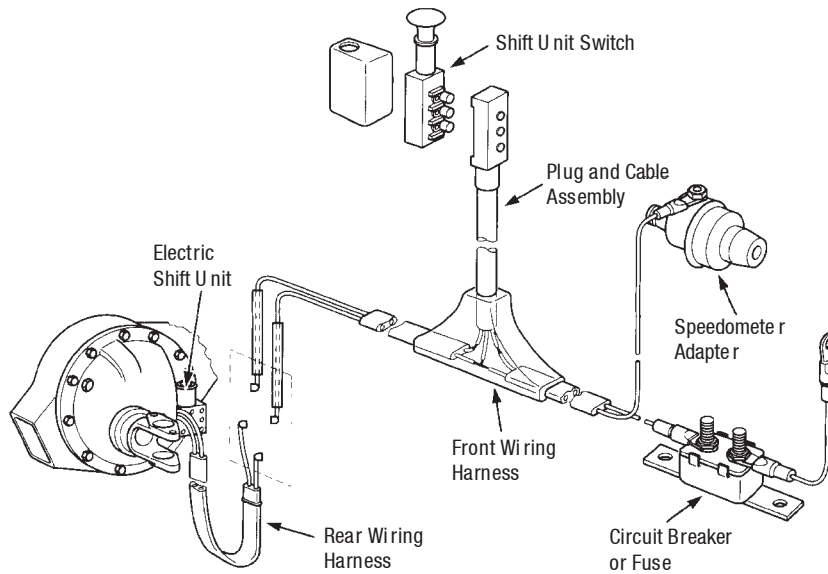
Note: The new improved housing cover does not require a gasket (see page 17).

Electric Shift System

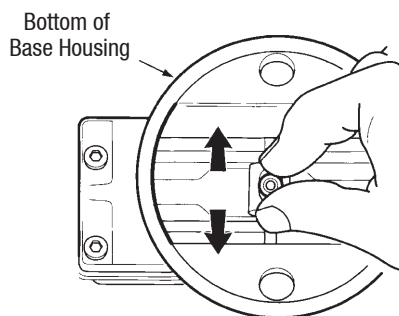
Shift System Electrical Wiring Schematic



Electrical Shift System Major Components



Slider Block Inspection Procedure

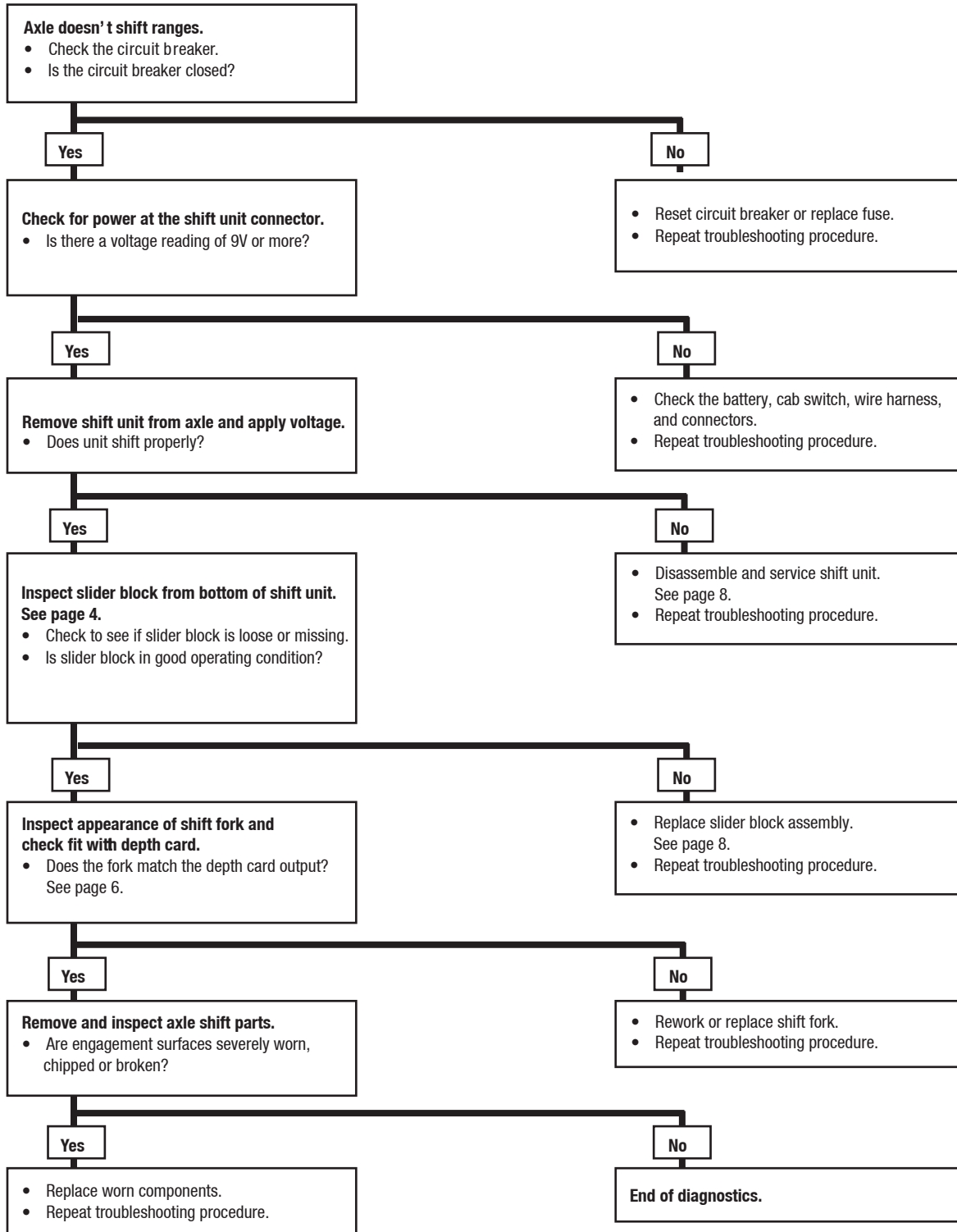


- Remove shift unit from axle.
- Move slider block from side to side. Make sure slider block moves freely in housing.

Troubleshooting

Troubleshooting Guide

This chart begins with an improperly operating shift unit. Use with illustrations on pages 3, 4, and 6 to help isolate the problem. Follow the possible solutions as an aid to system repair.



Checking Shift Fork Position and Alignment

Electric shift unit failure or shifting problems may be caused by the shift fork binding on the slider block. Check the shift fork position and alignment with the Shift Fork Fit-Up card. Refer to the instructions on the card and the illustration below to check the shift fork.

If interference at points **A** and **B** exists, carefully grind shift fork until it matches the fit-up card.

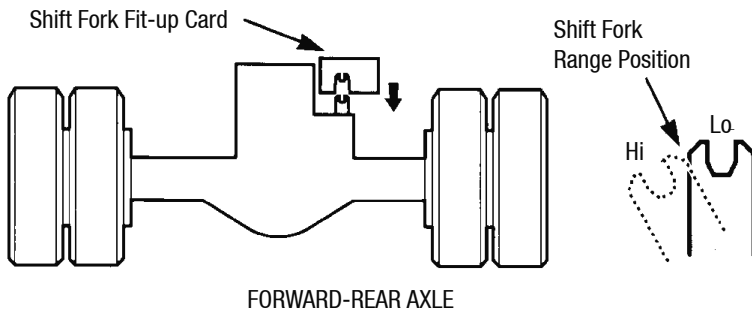
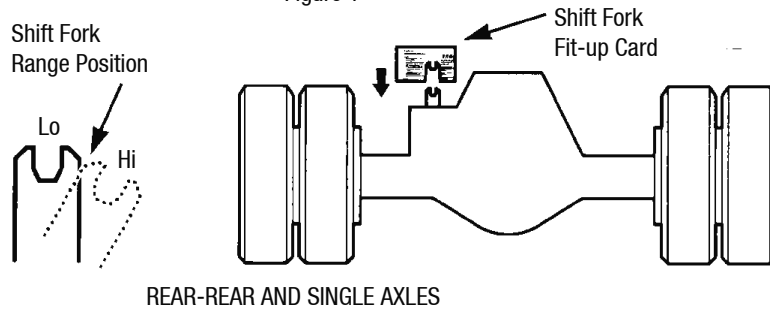
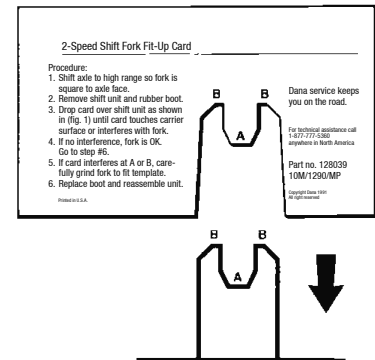


Figure 1



Shift Fork Fit-up Card

- Fit-up Card must set flush on mounting surface of axle
- Shift fork must **NOT** touch Fit-up Card at points **A** and **B**



Shift Unit Removal/Disassembly

Remove Shift Unit

1. Shift axle to low range and park vehicle.
2. Disconnect wiring harness at shift unit.
3. Remove nuts, flat washers and shift unit from carrier.

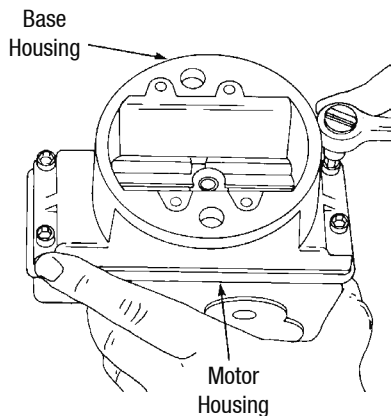
Note: When shift unit is removed, provide container to catch oil that escapes from carrier.

4. Remove shift unit seal and spring assembly.

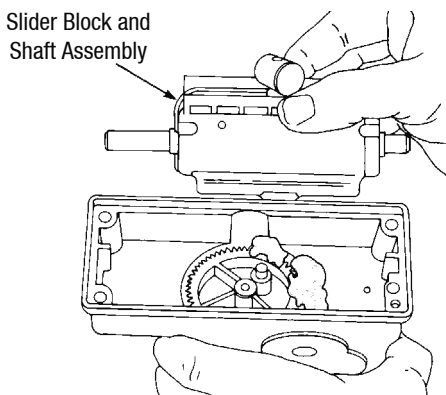
Remove Slider Block

Note: To remove slider block, it is necessary to separate base housing from motor housing. Gasket compound may cause these housings to stick together. Use the motor as a handle to assist in separating the housings. If necessary, carefully pry housings apart using a thin-blade screwdriver.

1. Remove cap screws fastening base housing to motor housing.
2. Lift motor housing off base housing.



3. Lift out slider block and shaft assembly.

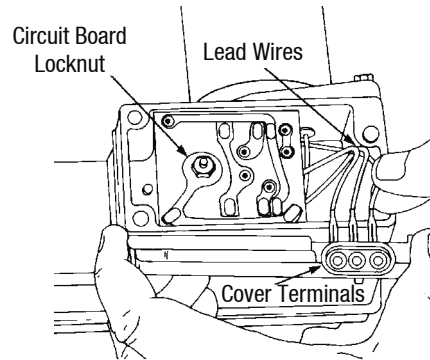


Remove Circuit Board and Motor

1. Remove cap screws fastening cover to motor housing.

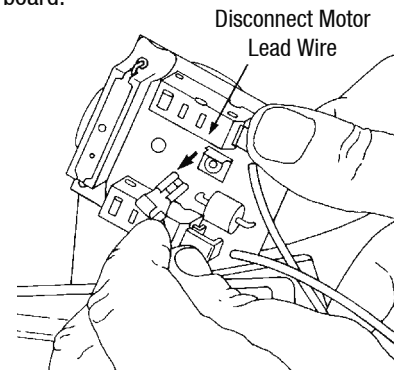
Note: Gasket compound may cause cover to stick to housing. If necessary, carefully pry it loose, using a thin-blade screwdriver.

2. Disconnect lead wires at cover terminals. Remove cover and gasket. Remove circuit board locknut.

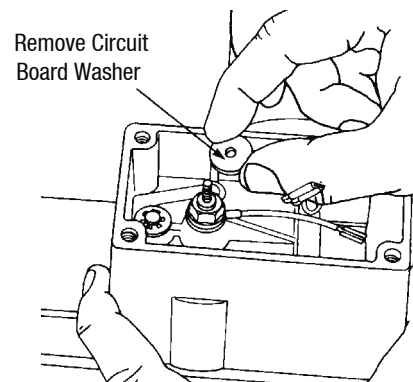


HOUSING COVER REMOVAL

3. Lift circuit board out to gain access to motor lead wire (black). Disconnect this wire then remove circuit board.



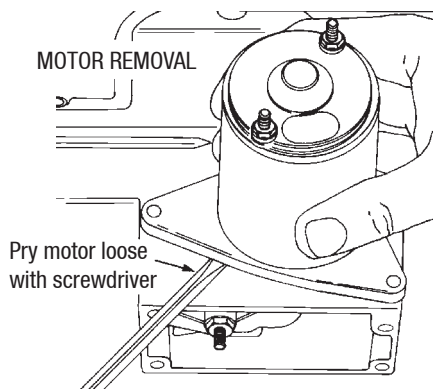
4. Remove circuit board mounting washer.



5. Remove capscrews fastening motor.
6. Lift motor to separate it from the housing.

Note: Gasket compound may cause motor to stick to housing. If necessary, separate motor from housing by carefully prying, using a thin-blade screwdriver.

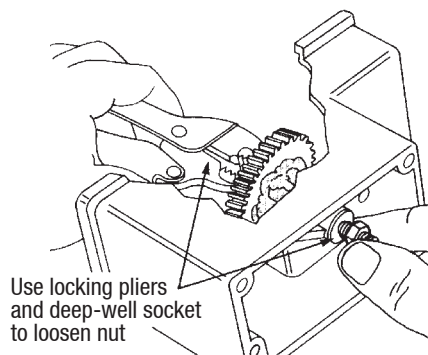
7. Remove motor, carefully guiding the motor wire and terminal through the housing hole.



Remove Gear and Cam Pins

1. Remove gear locknut. Use deep-well socket while holding shaft end with locking pliers.
2. Remove ground lead wire.

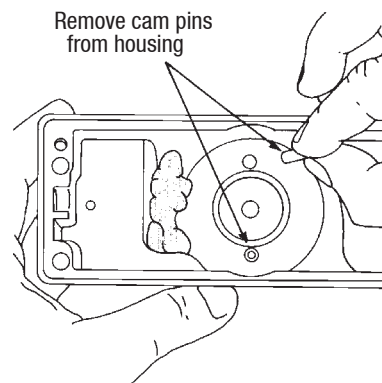
GEAR SHAFT LOCKNUT REMOVAL



3. Lift shaft and gear assembly out of housing.

Note: The cam pins are removed from the gear side of housing. Do not disturb the switch spring.

4. Remove cam pins from housing.



Cleaning

After shift unit disassembly, clean all parts (with exception of the motor and circuit board), in a suitable commercial solvent. Dry with clean, lint-free cloth or compressed air before lubricating or reassembly.

Make sure all residual gasket compound is removed from mating surfaces.

⚠ WARNING

WARNING: Gasoline is not an acceptable solvent because of its extreme combustibility. It is unsafe in the workshop environment.

Lubrication

Lubrication of the shift unit is not required except when unit has been disassembled. Instructions are contained in the shift unit assembly procedures in this manual.

Note: Use only "Rheolube 362" for shift lubrication. Use of other lube types may cause shift unit operational problems under certain low temperature conditions. A tube of this lubricant is included in Spicer Shift Unit Service Kits.

Sealing

⚠ CAUTION

CAUTION: Use approved gasket compound to seal shift unit cover and other components. Standard RTV sealant may cause corrosion of electrical components.

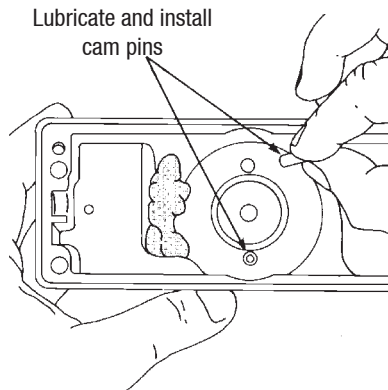
Proper sealing of the shift unit mating surfaces is essential for long life and trouble-free operation. For effective sealing, use approved gasket compound. During reassembly, make sure the mating surfaces are clean and that the compound pattern is not disturbed. Also, the gasket compound will set in 20 minutes. Assemble components before compound sets or reapply.

Shift Unit Assembly/Installation

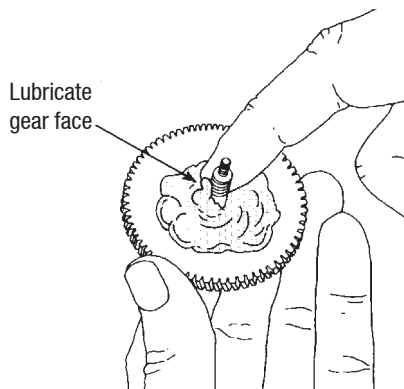
Install Cam Pins and Gear

Note: Use Rheolube 362 lubricant during following reassembly procedures. Use of other lube types may cause operational problems under certain low temperature conditions.

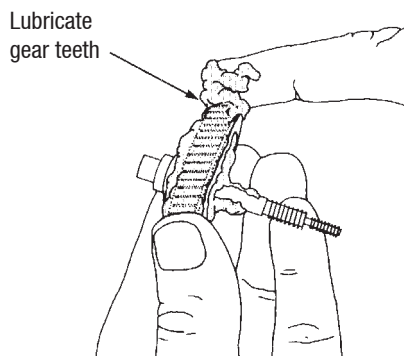
1. Lubricate pins. Install pins in motor housing.



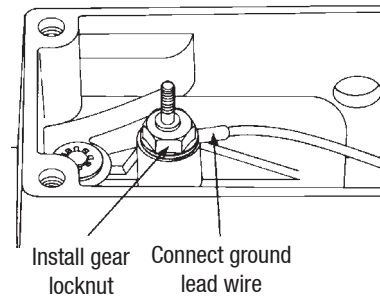
2. Lubricate both sides of gear washer and gear face that contacts gear washer.



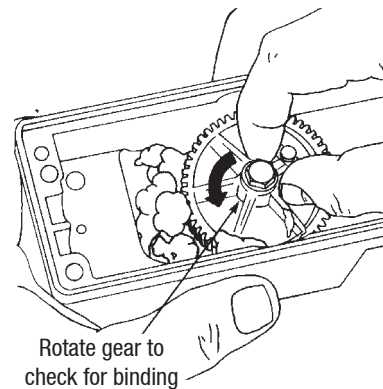
3. Liberally apply lubricant on gear teeth. Completely fill cavities between teeth.
4. Lubricate the shoulder part of the gear shaft. Assemble shaft, gear and washer, then place this assembly in motor housing.



5. Connect ground lead wire. Install gear locknut. While holding shaft end with locking pliers, torque locknut.



6. After installation, rotate gear in a COUNTERCLOCK-WISE direction to make sure binding is not present. Clockwise rotation is prevented by shift unit design.



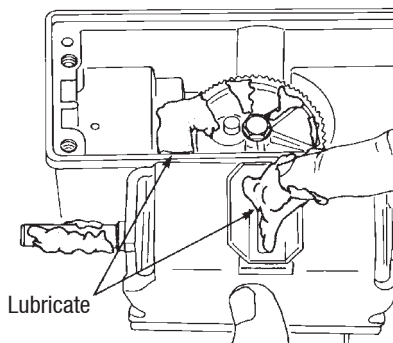
Install Slider Block

Use Rheolube 362 lubricant during following reassembly procedures. Use of other lube types may cause operational problems under certain low temperature conditions.

1. Apply a light film of lubricant to the full length of the slider block shaft. Fill entire slot area of slider block with lubricant (the area which engages gear pin).

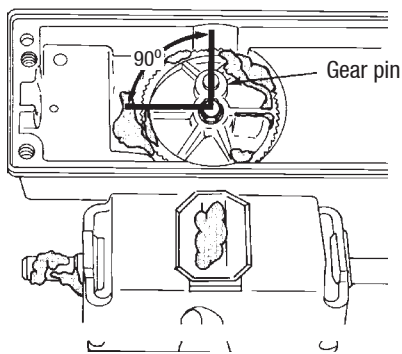
Also fill the cavity next to the gear with lubricant (cavity adjacent to motor shaft hole).

SLIDER BLOCK LUBRICATION



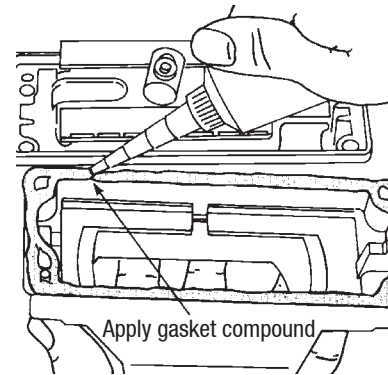
2. Rotate gear to position the gear pin at 90 degrees from the slider block shaft centerline (see illustration below). Install slider block by nesting the block shaft in the recessed pockets in base housing.

Note: It may be necessary to move the slider block in one direction or the other to engage the gear pin.



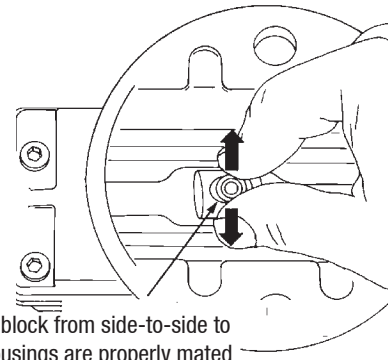
SLIDER BLOCK INSTALLATION

3. With housing mating surfaces clean, apply a continuous bead of approved gasket compound around the outer edge of the base housing. Align the dowel pin with hole in motor housing and assemble the two housings.



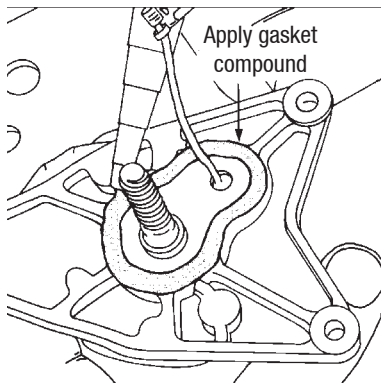
4. Install housing capscrews loosely. Make sure that housings are mating properly by wiggling the slider block from side to side.
5. Torque housing capscrews.

Note: There should be some slider block free play. If block is rigid, loosen capscrews, reposition block and tighten capscrews finger-tight. Recheck slider block free play.



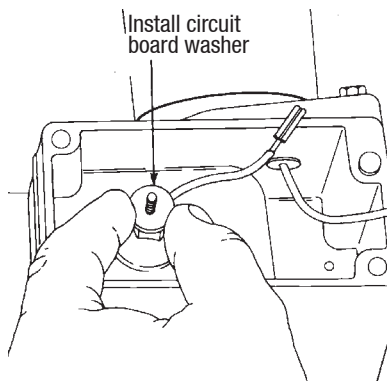
Install Motor

1. Apply a continuous bead of approved gasket compound on motor base around motor shaft and lead wire.
2. Place motor on housing, guiding the lead terminal and wire through the proper opening and placing shaft through motor housing hole.
3. Install capscrews and tighten to correct torque.

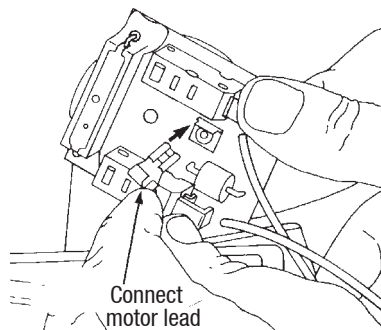


Install Circuit Board

1. Install circuit board washer on gear shaft and on top of gear locknut.



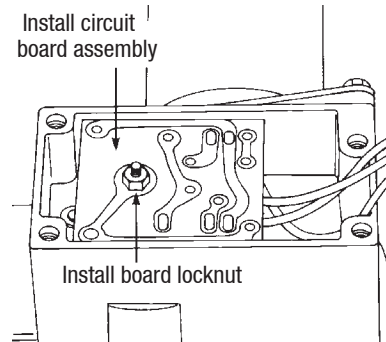
2. Connect motor lead wire to circuit board terminal.



3. Install circuit board on gear shaft and install locknut. Torque locknut.

▲ IMPORTANT

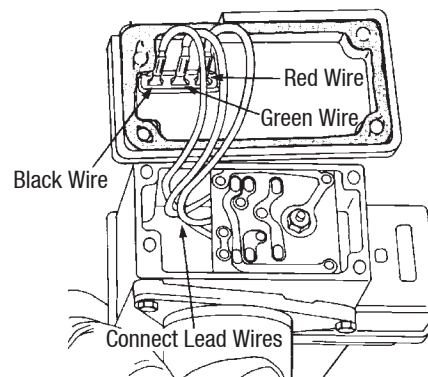
IMPORTANT: If a new housing cover is required, install the improved cover (see page 17 for instructions). Original cover is not available.



4. To continue assembly of the shift unit when reusing the original cover, proceed as follows:
5. Apply RTV Electrical Grade Gasket Compound in cover gasket groove. Install gasket. Apply gasket compound to gasket mating surface, circling screw holes.
6. Connect circuit board lead wires to cover terminals (see next illustration). Carefully push wires back in housing.

Note: Exert care when repositioning lead wires to prevent smearing or destroying gasket compound.

7. Place cover in position on motor housing and install capscrews. Torque cover capscrews.



Note: Cover includes terminal identification for lead wires: B - Black, G - Green, R - Red inside and LO, GND and HI outside.

Install Shift Unit

Note: Before installation, place shift unit in low range. This can be accomplished by connecting chassis wiring harness to shift unit cover and operating control switch (in cab), or apply 12-volt power supply to low range and ground terminals in shift unit cover (see wiring schematic on page 3).

1. Lubricate shift fork in seal area. Install seal and spring assembly on carrier.
2. Place shift unit on mounting studs, making certain shift unit actuating swivel pin engages slot in shift fork. Install flat washers (0.100", 2.54 mm thick) and nuts.
3. Torque nuts. Connect wiring harness.

▲ IMPORTANT

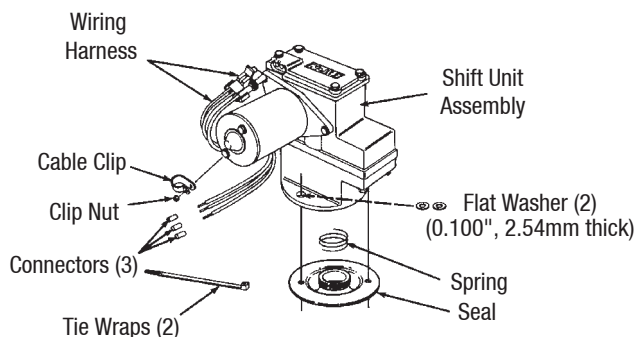
IMPORTANT: Before installing a rebuilt or replacement shift unit, check fit of shift fork using a "fit-up" card (see page 6).

Shift Unit Retrofit Kits

The new Spicer Electric Shift Unit is a completely new design and shares no common parts with existing shift units. However it is completely interchangeable as a unit for service replacement. Retrofit Kits are available to convert to the new shift unit.

Note: In some special situations, the new unit cannot be used. Refer to appropriate Spicer Parts Books for detailed application and part number information.

The following instructions are a condensed version for retrofitting a new shift unit. Detailed instructions are contained in the Retrofit Kit.



COMPONENTS OF TYPICAL RETROFIT KIT

Retrofitting Instructions

*These parts are included in the Retrofit Kit.

1. Remove existing shift unit.
2. Remove and discard seal and spring
3. Cut existing wiring harness (approx x. 6" - 8"). Identify wires (Low Range, High Range and ground).
4. Connect new wiring harness to existing harness, using connectors* furnished in kit.

EXISTING WIRING HARNESS		NEW HARNESS*
Ground	to	Green Wire (Ground)
Low	to	Black Wire (Low)
High	to	Red Wire (High)

5. Connect new wiring harness to new shift unit.* Check shift unit operation before mounting on differential carrier. Operate driver control switch in low and high range and observe new shift unit operation.

If shift unit does not operate, unplug new harness connector and test for power and voltage continuity at connector terminals.

If shift unit operates, install on carrier as follows:

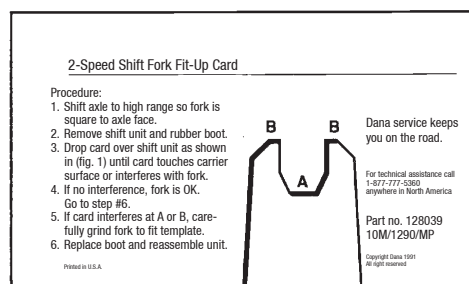
6. Use new seal and spring assembly.* Mount seal on carrier studs.
7. Install shift unit. Install flat washers and nuts. Torque nuts.

Note: Make sure to use the mounting washers* (0.100", 2.54 mm thick) furnished with kit.

8. Attach cable clip* to harness near motor and fasten to motor stud with nut*. Torque clip nut.
9. Secure harness to chassis with tie wraps.* Leave adequate slack to allow for axle movement.

▲ IMPORTANT

IMPORTANT: Shift Unit Replacement.
Before installing a rebuilt or new shift unit, check fit of shift fork to slide block pivot using a "Fit-up" Card or Template.
These cards are furnished with new shift units retrofit and slide block kits. Instructions are contained on the card (see illustration) (also see page 6 instructions).



Servicing Other Electric System Components

Installation of Improved Motor Housing Cover (Production units effective December 1989)

The new cover has a continuous sealing lip around the outside edge which improves sealing against road environment contamination. The previous cover is no longer available. Units currently in the field must be modified whenever a new cover is installed.

Modification: Because the new cover encloses the entire rim of the units cast nose piece, the base of the motor mounting flange must be relieved slightly to prevent interference.

Note: This modification is only needed if a notch is NOT present in the motor housing flange.

1. Remove four (4) cover screws. Retain 3 screws.

Note: The service kit includes a screw which is 1/4" longer than the previous cover screws.

2. Place the new cover into position on the shift unit housing and draw a reference line on the motor base to show the width of the area to be modified.
3. Using a file or small die grinder, remove material from the motor base (as shown in Fig. 1). **The notch should be at least 0.100" (2.5mm) deep and 0.150" (3.8 mm) wide.** Trial fit the cover during modification.

CAUTION

CAUTION: When removing material, use care to avoid filing into the threads of the motor mount fastener.

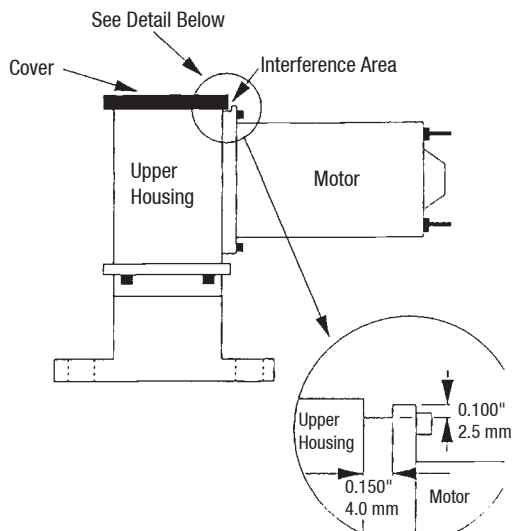


Fig. 1 - Electric Shift Unit Cover Fit Modifications

4. With the modification complete, install the new cover as follows:
5. Using RTV gasket compound (supplied with the service kit), apply a thin bead on top edge of motor housing.

Note: The new cover does not require a gasket.

CAUTION

CAUTION: Always use RTV Electrical Grade Gasket Compound. Standard forms of RTV generate acetic acid which will damage shift unit components. Use gasket compound sparingly. Excessive use of compound could damage internal parts.

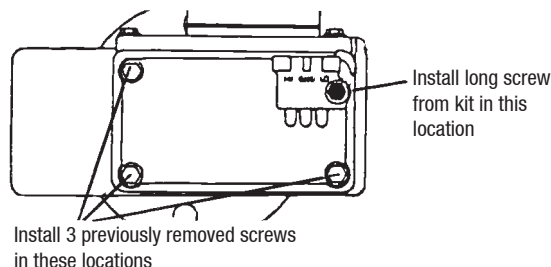


Fig. 2 - Cover Screw Location

6. Install the cover capscrews as shown in Fig. 2.

Note: The 3 screws from prior installation should be used in all but the hole closest to the electrical connector. The new (longer) screw supplied with the kit must be installed in the hole shown.

7. Tighten all capscrews to 25-30 Lb.-In. (2.8-3.4 N.m)
Do not over tighten.

Speedometer Adapter

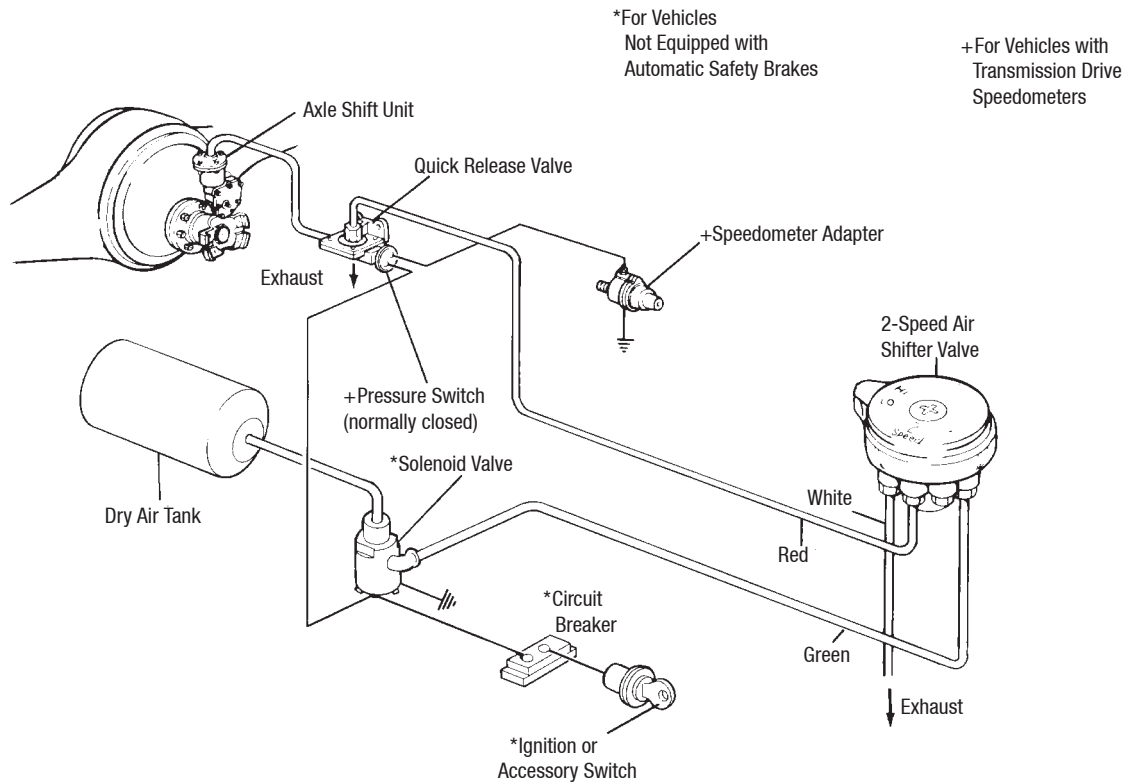
The speedometer adapter is lubricated and sealed for life of the unit. No maintenance is required. Replace a faulty unit.

Control Switch

For inspection or replacement, the control switch can easily be removed by sliding the rubber boot up to the knob, then separate switch from harness.

Inspect switch for loose connections and other visual defects that may cause short circuit or electrical failure. Replace a faulty switch as an assembly.

Air Shift System



Introduction

The basic system consists of:

1. A 2-position manually operated air shifter valve.
2. A quick release valve.
3. An air shift unit.

The system operates at reservoir tank air pressure.

For vehicles not equipped with automatic safety brakes, an ignition-controlled solenoid valve exhausts the system and down-shifts axle when ignition switch is turned off. The electrical circuit is protected by a circuit breaker.

For vehicles equipped with transmission drive speedometer, the system includes a speedometer adapter. Operation is controlled by an electric switch (normally closed—opened by air pressure). This switch is mounted on or near the quick release valve.

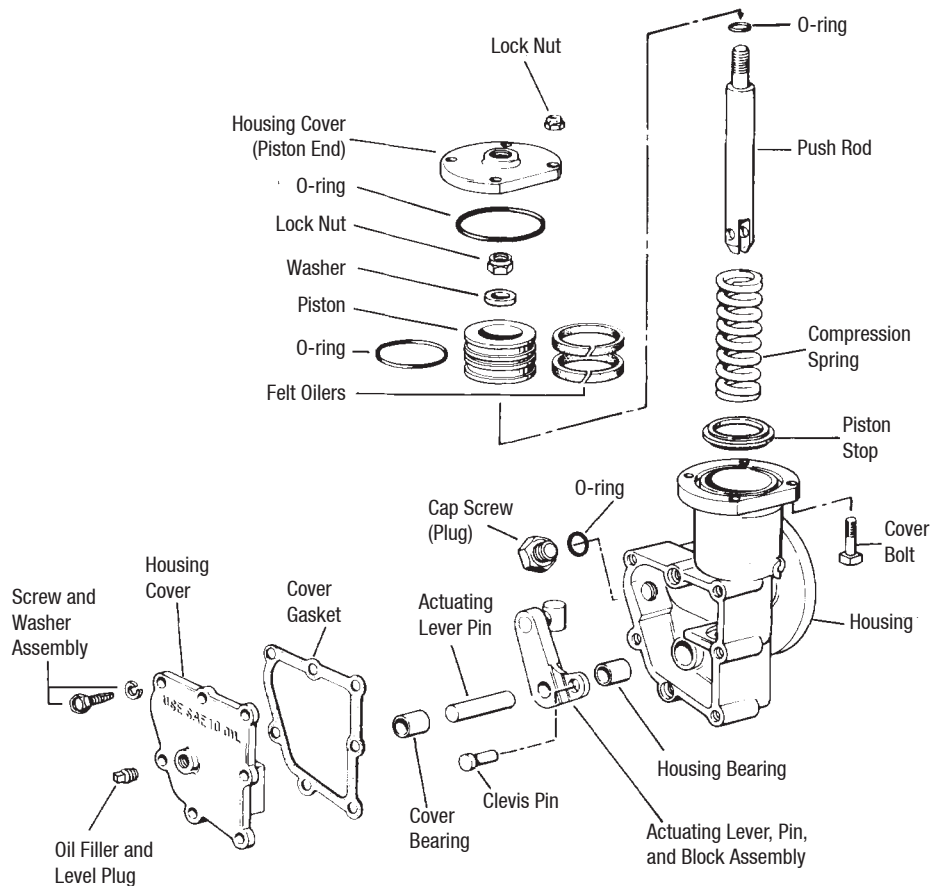
Operation

In operation, the air shifter valve (in gear shift knob) supplies air through the quick release valve to the axle shift unit. Air pressure in the shift unit shifts axle to High range. To shift axle to Low range, air pressure is exhausted at shifter valve, which exhausts air pressure at quick release valve, allowing shift unit to return to Low range.

Low Range Operation — Shifter knob is in “LO”, shifter valve is closed and no air pressure is present to shift unit. Axle is held in Low range by shift unit return spring.

High Range Operation — Shifter knob is in “HI”, shifter valve is opened to allow air pressure through quick release valve to shift unit. Axle is held in High range by air pressure in the shift unit.

Air Shift Unit



Description and Operation (Shift Unit)

The Air Shift Unit is engineered for efficient performance and built for reliable, service-free operation.

Operation of the unit is as follows: The shift unit is mechanically connected to the axle shift fork and shifts axle into Low or High range.

The unit consists of an air chamber, piston, compression spring, and mechanical linkage. When air is admitted to the chamber or cylinder, the piston travels downward against a compression spring, transmitting motion through a push rod and actuating lever to the shift fork, shifting the axle into High range. Exhaust of air pressure permits the heavy-duty spring to return the axle gearing to Low range.

Note: A harsh environment kit (consisting of a vent filter and fittings) is available for shift units operating in unusually wet or dirty conditions. For additional information contact Dana Service Support.

Note: Air Shift Units are also used on Spicer Controlled Traction Differential and Dual Range Tandem Axles.

Troubleshooting

Check for Air Leaks

A simple method for quickly locating troubles in the system is to listen for possible air leaks and for sound which would indicate shift unit operation. Proceed as follows:

1. Turn ignition switch "ON" to energize and open solenoid valve. Move shifter knob to "HI". In this position, air pressure should be present in the entire system. Check for air leaks.
2. With shifter knob in "LO", air pressure should be present only up to the shifter valve.
3. To check axle for shifting, operate shifter knob back and forth from "LO" to "HI". If the shift unit is operating, a definite reaction will be evident by sound of parts movement.
4. If air pressure is satisfactory and shift unit does not operate, disassemble and inspect shift unit.

Check Pressure Switch

In Low Range, the pressure switch is closed and electrical circuit is complete to the speedometer adapter. In High Range, air pressure opens the pressure switch, and breaks the electric circuit to the speedometer adapter.

To check pressure switch operation, shift to High Range and probe switch terminals. No voltage should be present. Replace a faulty pressure switch as an assembly.

Check Electrical System (with solenoid valve)

1. When ignition switch is "ON" solenoid valve is energized and air pressure is available to operate the system. When ignition switch is "OFF", solenoid valve is de-energized and exhausts the system which downshifts axle to low range. Check wiring and circuit breaker for defects that would cause shorts or open circuits.

2. Make sure valve has a good ground connection to the frame. With power at valve, check operation as follows:

Disconnect lead wire and air line outlet at valve and install air pressure gauge.

Apply power to valve and observe air gauge reading. Operating pressure should be approximate reservoir pressure.

If gauge indicates approximate pressure, valve is okay.

If gauge indicates low or no pressure, valve is faulty. Replace valve assembly.

Check Quick Release Valve

The quick release valve provides a means of quickly exhausting air from system when axle is shifted from High to Low Range.

To check valve operation, listen for audible air exhaust from valve when shifting axle from High to Low Range. Replace a faulty quick release valve as an assembly.

Check Speedometer Adapter

1. Make sure adapter is grounded to vehicle chassis.
2. Check wiring for shorts or grounds and trace electrical circuit from ignition switch to speedometer adapter.
3. Check for power supply at adapter terminal. With air shifter valve in High Range, pressure switch is open and power is not delivered to adapter. With shifter valve in Low Range, the pressure switch is closed and power is delivered to operate the speedometer adapter. If power supply is okay, adapter is faulty. Replace adapter assembly.

Shift Unit Removal/Disassembly

Remove Shift Unit

1. Disconnect air line at shift unit cover. Remove nuts, flat washers and piston air shift unit from differential carrier.

Note: When shift unit is removed, provide container to catch oil that escapes from reservoir.

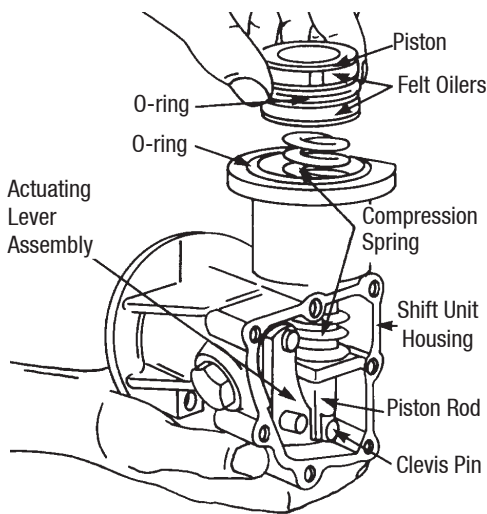
2. Remove shift fork seal and spring.

Disassemble Shift Unit

1. Remove cap screws, lock washers, cover and gasket from housing. Drain lubricant.
2. Remove bolts, locknuts, and cover at piston end of housing. Remove o-ring.

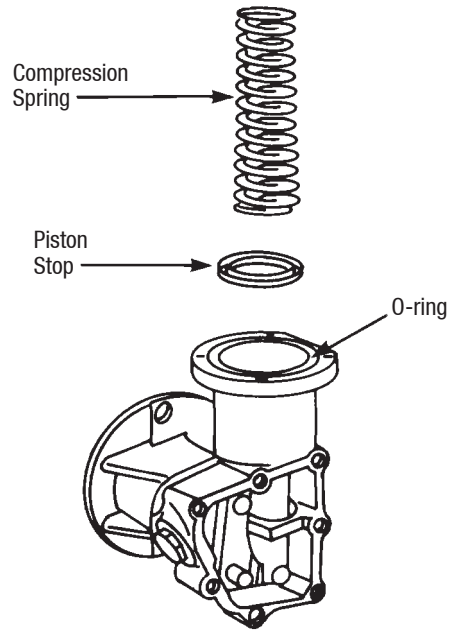
CAUTION

CAUTION: During the following procedure, the piston will pop out of housing under spring pressure. Exercise caution to prevent possible injury.

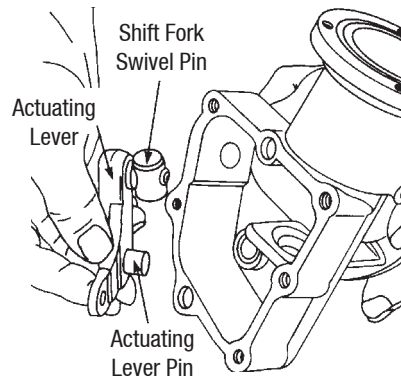


3. Remove locknut, flat washer, and piston from push rod. Remove o-ring and felt oilers from piston.

4. Remove compression spring and piston stop from bore of shift unit housing.



5. Remove clevis pin, then remove push rod from shift unit housing. Remove o-ring from push rod.
6. Remove actuating lever and pin assembly from shift unit housing. Do not disassemble actuating lever.



Lubrication

Lubricant — Use SAE 10 motor oil* for temperatures above 0° F (-18° C). For temperatures below 0° F (-18° C), mix three parts of SAE 10 motor oil with one part of kerosene. This cold weather mixture can be safely used up to 32° F (0° C).

Note: *Commercially available automatic transmission fluid may be used in place of SAE 10 motor oil. Automatic transmission fluid can be used for all temperatures. Do not mix kerosene with automatic transmission fluid.

Lubricant Check and Level — Each 20,000 miles or six months, remove pipe plug in shift unit housing cover to check lubricant level. Lube should be level with bottom of filler hole.

Lubricant Change — At least once a year remove shift unit housing cover and drain old lubricant. Wash parts thoroughly and air dry. Reinstall cover. Remove pipe plug in cover. Fill through pipe plug opening until lube is level with bottom of filler hole.

Parts Inspection

Shift Fork Seal — Inspect shift fork seal for defects and tight fit on shift fork. A spring is used to assure a closer fit of seal around shift fork. If this spring is not present on axle being serviced, install one when reassembling unit.

O-rings, Felt Oilers and Gasket — Replace o-rings, felt oilers and cover gasket when piston air shift unit is disassembled for repair.

Compression Spring — Inspect spring for distortion, cracks, or other visual defects. Replace a faulty spring.

Actuating Lever and Pins — Inspect lever pins and bearings for worn or grooved condition. Inspect actuating lever and push rod for worn or elongated holes at point where they are connected. Replace faulty parts.

Piston — Inspect piston friction surface for worn, grooved or damaged condition which will affect the piston movement in cylinder. Replace a faulty piston.

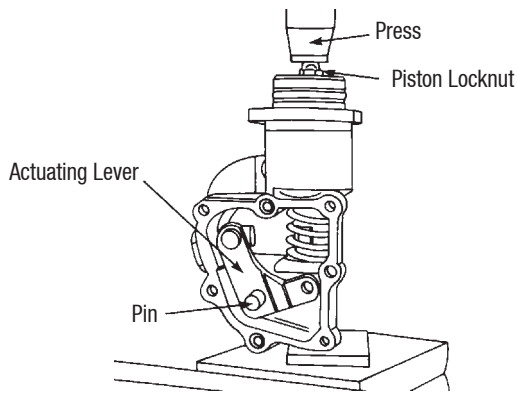
Shift Unit Assembly/Installation

Assemble Shift Unit

Note: Prior to assembly, the piston felt oilers should be soaked in SAE 10 oil for one hour. Lubricate o-rings with a high viscosity silicone oil or barium grease o-ring lubricant.

1. Assemble pin to actuating lever and install this assembly in shift unit housing.
2. Assemble o-ring and piston to push rod and fasten with flat washer and locknut. Torque locknut. Install felt oilers and o-ring on piston.

PISTON AND PUSH ROD ASSEMBLY INSTALLATION



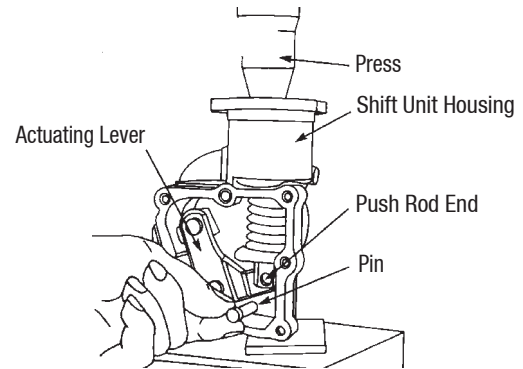
CAUTION

CAUTION: During the following procedure using a press, make certain components are properly aligned in press to prevent possible personal injury or damage to parts.

3. Insert piston stop and compression spring in shift unit housing. Place piston and push rod assembly in housing. Position housing assembly in arbor press.

4. Apply pressure to piston until actuating lever is in alignment with push rod end. Install clevis pin. Release press.

PUSH ROD CLEVIS PIN INSTALLATION



5. Place cover gasket in position on shift unit housing then install cover and bearing assembly and fasten with capscrew and lock washers. If necessary, use a sealer on threads of capscrews to prevent any leaking. Torque capscrews.
6. Place o-ring in groove of shift unit housing, then install housing cover and secure with bolts and locknuts. Torque locknuts.
7. Fill Shift unit with SAE 10 oil or automatic transmission fluid (see Lubrication page 23) when axle is installed in vehicle.

Install Shift Unit

1. Lubricate shift fork. Slide seal and spring assembly over fork and place on differential carrier studs.
2. Place shift unit on mounting studs and make certain shift fork actuating lever engages slot in shift fork. Install flat washers and stud nuts. Torque nuts.
3. When axle is installed in vehicle, fill shift unit housing to level of filler plug with SAE 10 oil. Coat threads of filler plug with sealer and install plug.
4. Connect air lines to shift unit cover.

Air Shifter Valve Removal/Disassembly

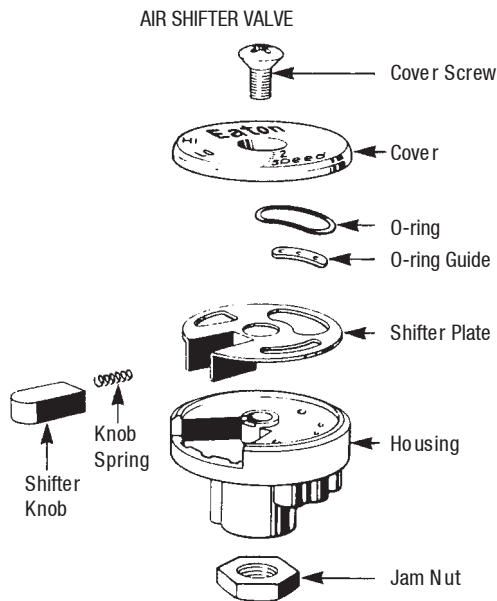
Remove/Disassemble Air Shifter Valve

CAUTION

CAUTION: Air supply to valve must be shut off before the valve is serviced.

The shifter valve can be disassembled for service without removing the assembly from the gear shift lever.

1. Remove screw from cover, then lift off cover and remove shifter knob, knob spring, shifter plate, o-ring guide and o-ring from valve housing.
2. If housing requires replacement, disconnect air lines, loosen jam nut, then unscrew housing from shifter lever.



Inspection/Lubrication

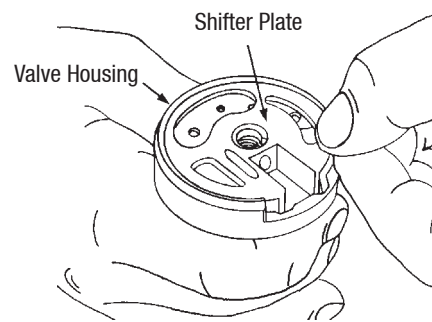
Each 50,000 miles, disassemble, inspect and clean, then lubricate moving parts with barium-base grease. No other type lubricant should be used.

Air Shifter Valve Assembly/Installation

Assemble/Install Air Shifter Valve

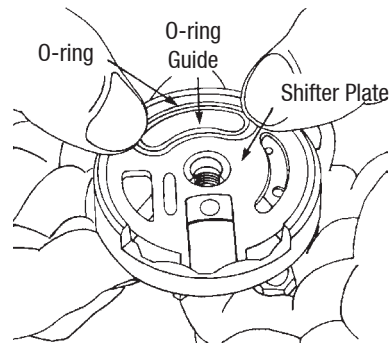
1. If housing was removed, install jam nut on shift lever. Thread housing on shift lever and tighten jam nut. Connect air lines. Air shift valve knob should be positioned at 9:00 o'clock. Lubricate moving parts with barium-base grease during assembly.
2. Place shifter plate in mounting position on valve housing.

SHIFTER VALVE PLATE INSTALLATION



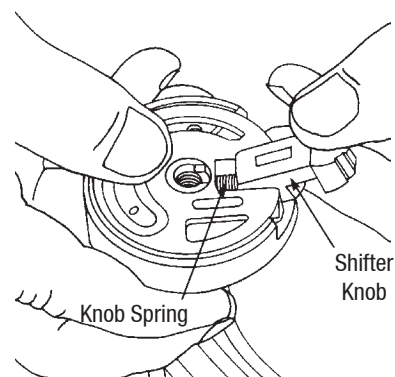
3. Pre-assemble guide and o-ring, then place this assembly in mounting position in shifter plate.

O-RING AND GUIDE INSTALLATION



4. Hold shifter plate in position with one hand, then install spring and shifter knob. Install cover and fasten with screw.

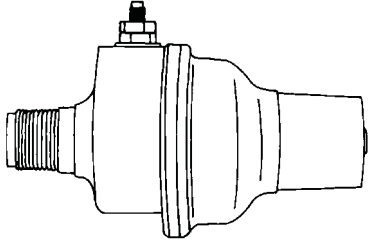
SHIFTER KNOB INSTALLATION



Servicing Other Air System Components

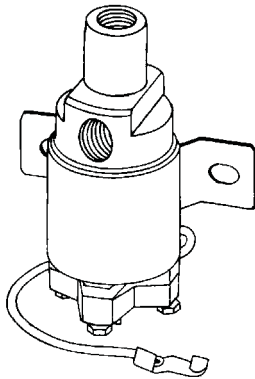
Speedometer Adapter

The speedometer adapter is lubricated and sealed for life of the unit. No maintenance is required. Replace a faulty unit.



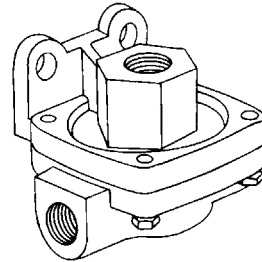
Solenoid Valve

Replace solenoid valve as an assembly. The valve should not be serviced.



Quick Release Valve

If quick release valve fails to operate properly, it may be repaired as follows: Disassemble valve. Inspect valve body, valve seat and spring (if used) for evidence of faulty operation. Replace faulty parts, then reassemble valve.



Pressure Switch

Replace pressure switch as an assembly.

