

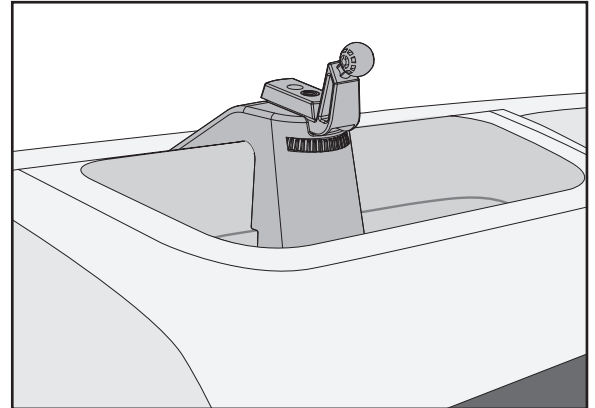
11+ JK Accessory Mount Dash Organizer

Components:

- 1. Accessory Mount Base (1)
- 2. Rubber Tray (1)
- 3. Universal Ball Mount (1)
- 4. Cap Piece (1)

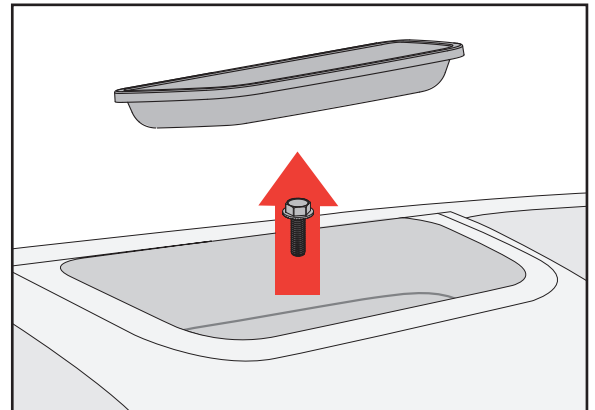
Required Tools:

- 1. Socket Driver
- 2. 7 mm Socket



1. Remove factory rubber tray from dashboard storage area above center console.

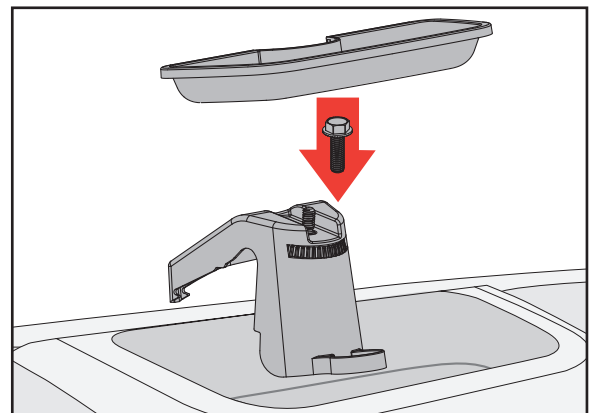
2. Remove factory screw using a socket driver and a 7 mm socket. Do not discard factory screw, it will be reused in product installation.



3. Install Accessory Mount Base. Hooks on arms of Accessory Mount Base will snap into upper dashboard vents closest to windshield.

4. Reinstall factory screw removed in Step 2.

5. Place custom Rubber Tray into dashboard storage area.

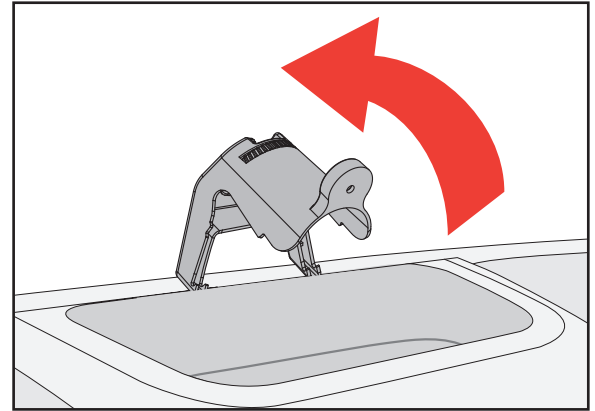


Read all instructions thoroughly before installation.

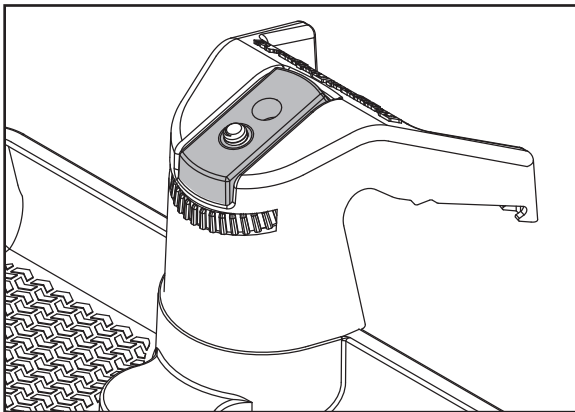
11+ JK Accessory Mount Dash Organizer

To remove Accessory Dash Mount Organizer:

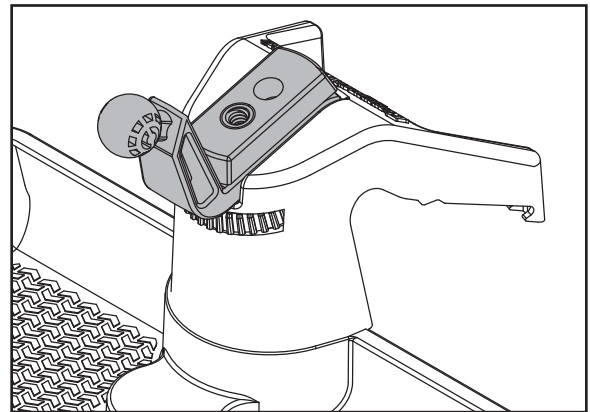
1. Remove custom rubber tray from dashboard storage area.
2. Remove factory screw using a socket driver and 7 mm socket.
3. Rotate Mount Base towards the windshield until hooked arms release from dashboard vents.
4. Replace factory screw and factory rubber tray in dash storage area.



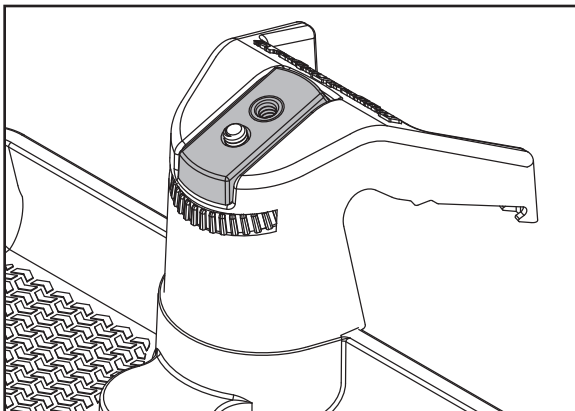
Four Configurations for Accessory Dash Mount Organizer:



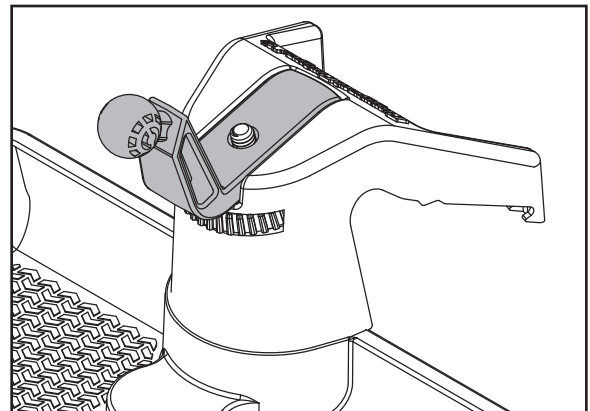
No Accessory



Universal Ball Only



Tripod Screw Only



Universal Ball and Tripod Screw