



Built for *Extremes*, Designed for Everyday Life

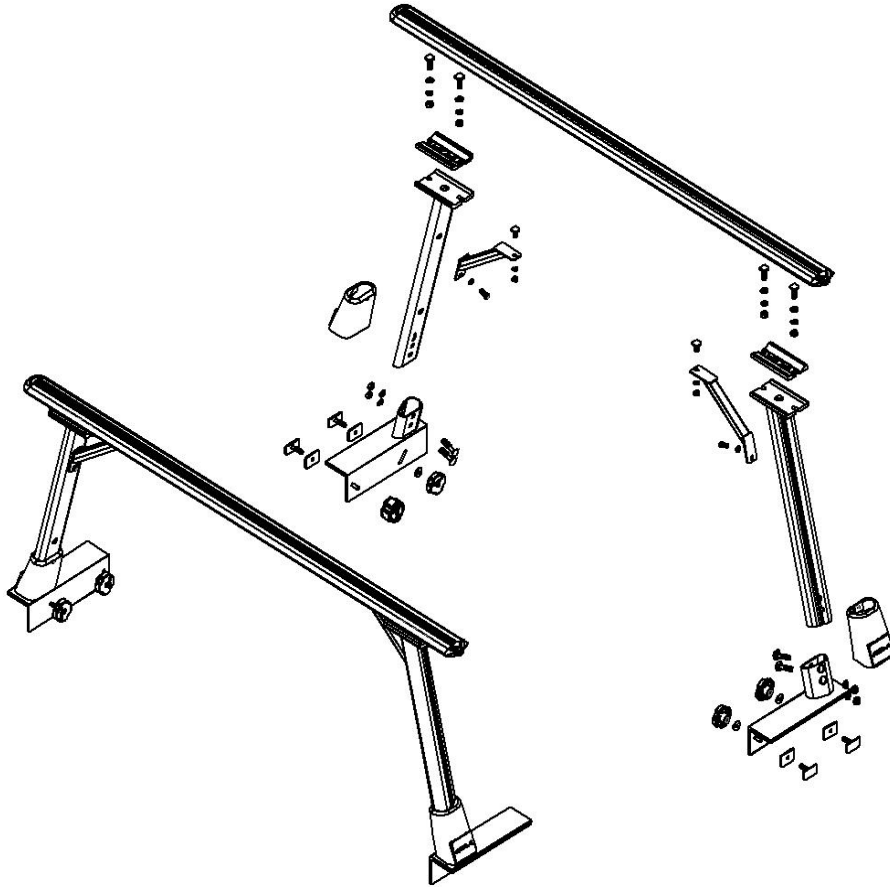
Product Name: **Haul-Your-Might™ T3**

Product Code: **59799**

Please read all instructions carefully before assembly, installation and/or use of this product.

WARNING: DO NOT exceed 800 lbs. (363 Kgs)

WARNING: DO NOT exceed vehicle manufacturer's weight rating.



Tools Required:



17mm Socket



5mm Hex Key



1/8" Hex Key



Tape Measure



17mm Wrench



13mm Socket

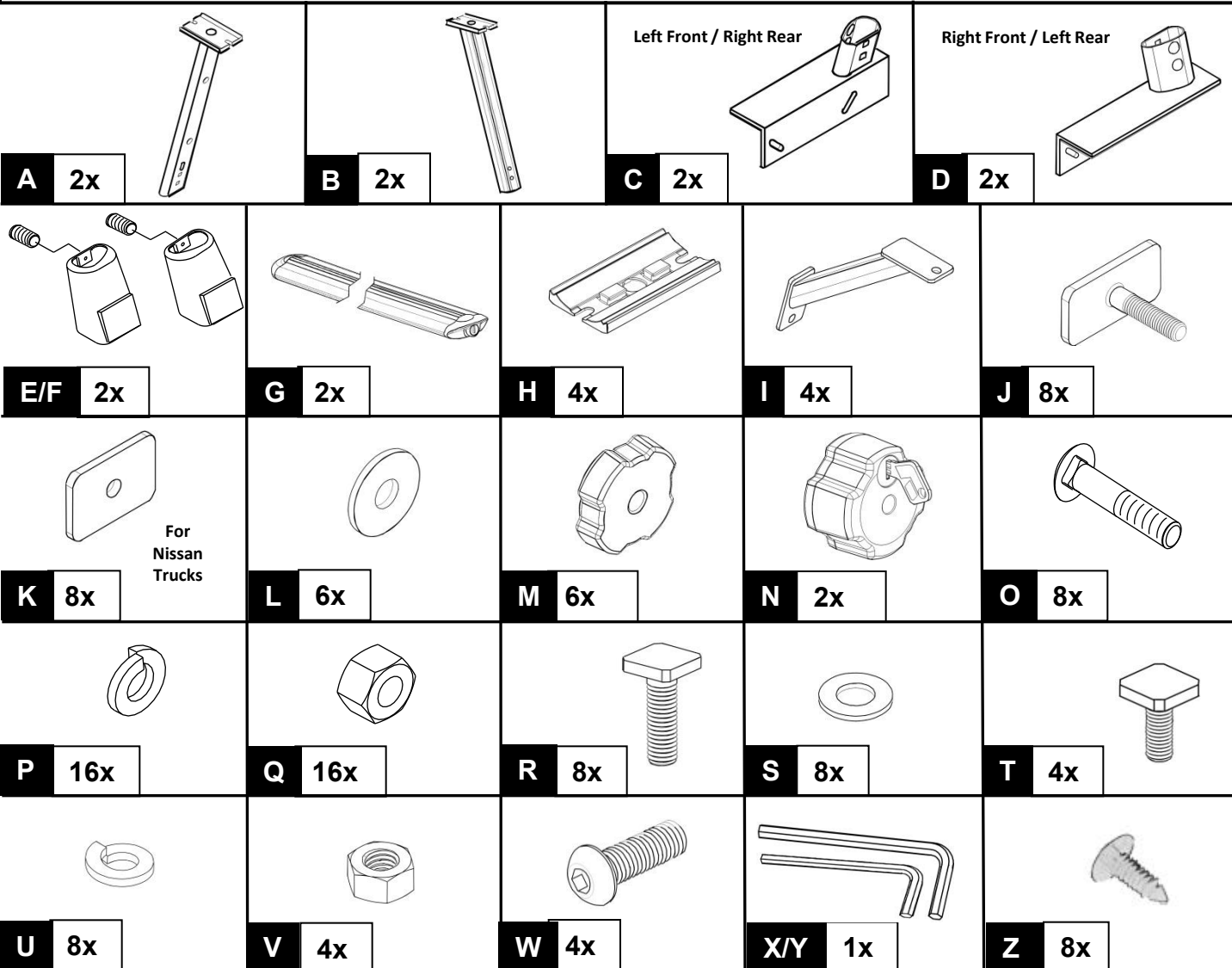


Hack Saw



Marking pencil

Please read all instructions carefully before assembly, installation and/or use of this product.

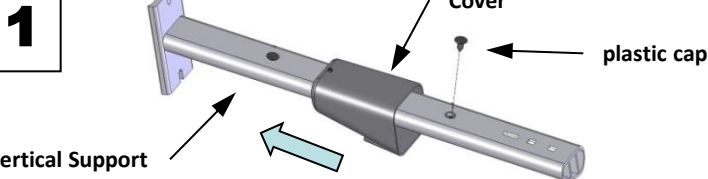


| ITEM | DESCRIPTION |
|------|-------------------------------------|
| A | Vertical Support Left Hand |
| B | Vertical Support Right Hand |
| C | Bed Mount Left Front / Right Rear |
| D | Bed Mount Right Front / Left Rear |
| E | Cover & 1/4-20 Set Screw LH |
| F | Cover & 1/4-20 Set Screw RH |
| G | Crossbar Assembly |
| H | Mounting Adapter |
| I | Corner Brace |
| J | T-Bolt M8-1.25 x 36mm (Bed Channel) |
| K | Spacer Plate (Nissan Titan) |
| L | Flat Washer M8 x 24mm O.D. |
| M | Clamp Knob M8-1.25 |

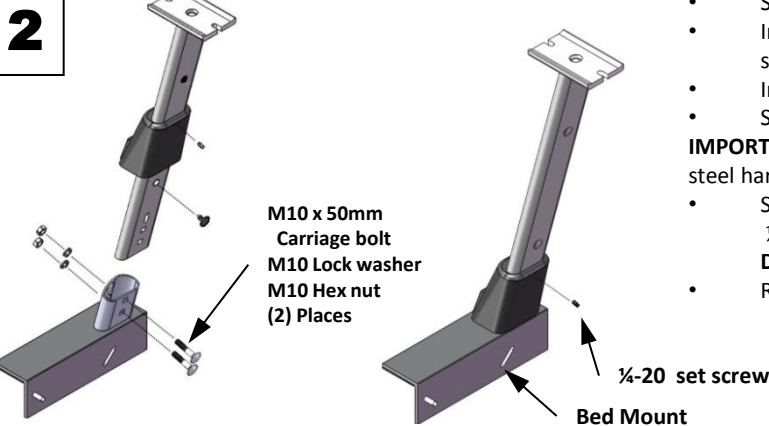
| ITEM | DESCRIPTION |
|------|-------------------------------|
| N | Locking Knob & Keys M8-1.25 |
| O | M10-1.50 X 50mm Carriage bolt |
| P | Lock Washer M10 |
| Q | Hex Nut M10-1.50 |
| R | T-Bolt M10-1.50 x 32mm |
| S | Flat Washer M10 |
| T | T-Bolt M8-1.25 x 22mm |
| U | Lock Washer M8 |
| V | Hex Nut M8-1.25 |
| W | Button Head Screw M8-1.25 |
| X | Hex Key Wrench 5mm |
| Y | Hex Key Wrench 1/8" |
| Z | Plastic Cap |

Please read all instructions carefully before assembly, installation and/or use of this product.

Assembly of Bed Mounts & Vertical Supports



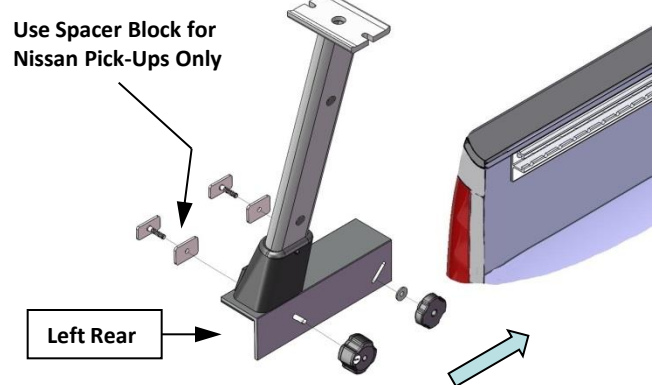
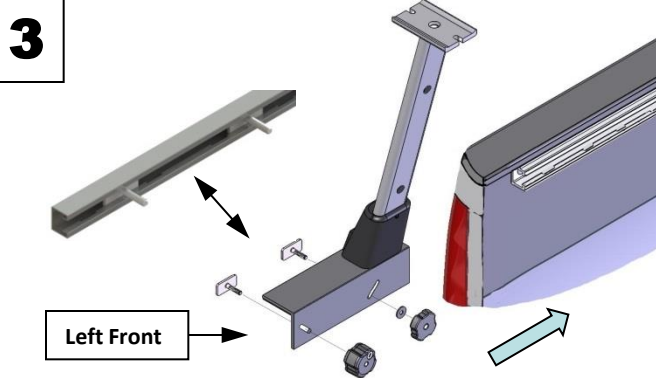
- Slide cover over vertical support as shown.
- Insert plastic cap.



- Slide vertical support and cover into Bed Mount.
 - Install two M10 x 50mm long carriage bolts through the two square holes in back of bed mount and through vertical support.
 - Install the M10 lock washers and hex nuts onto carriage bolts.
 - Securely tighten all M10 fasteners (approximately 25 Lb.-Ft.)
- IMPORTANT NOTE!** Use anti-seize thread lubricant on all stainless steel hardware. DO NOT use air tools to install hardware.
- Slide cover into position and secure with 1/4-20 set screw using a 1/8" hex key wrench.
 - **DO NOT over tighten.**
 - Repeat steps 1 & 2 for all four vertical supports.

Vehicle Installation: TOYOTA TRUCKS

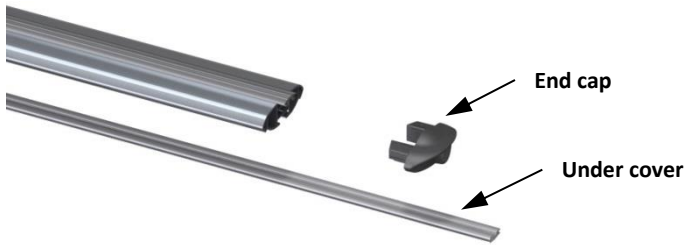
NISSAN TITAN



1. Clean bed rails. Install Front Bed Mount Assemblies first.
 - **For Toyota Pick-Ups** - remove the plastic end caps and factory tie down loops from bed channels. Install the (2) large M8 T-Bolts into the factory bed channels.
 - **For Nissan Pick-Ups** - install the (2) large M8 T-Bolts with Spacer Blocks into the factory bed channels
2. Attach the Front Bed Mount Assemblies to the T-Bolts using (1) Locking Clamp Knob and (1) Regular Clamp Knob with (1) M8 Flat Washer. Leave clamp knobs slightly loose at this step to allow Bed Mounts to slide along the channel.
3. Slide Front Bed Mount Assemblies into position locating them near Front of pick up bed.
 - Note: For Toyota trucks, the plastic end cap in channel near front of truck bed can be removed to allow Bed Mount to be moved forward.
 - Note: For Toyota trucks, reinstall the factory tie down loops between the front & rear bed mount assemblies.
4. Install the Rear Bed Mount Assemblies into the factory bed channels using T-Bolts and Clamp Knobs as shown.
5. For Toyota trucks, reinstall the plastic end caps into channels.
 - **Note: There are (2) Locking Clamp Knobs and (6) Regular Clamp Knobs provided with kit.**
 - **Use (1) Locking Clamp Knob on Driver's side front Bed Mount and (1) on the Driver's side rear Bed Mount.**

Please read all instructions carefully before assembly, installation and/or use of this product.

4



- Remove end caps and under covers from crossbars.

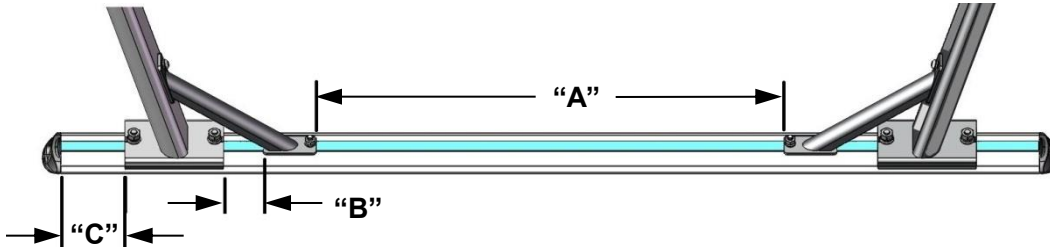


Unlocked



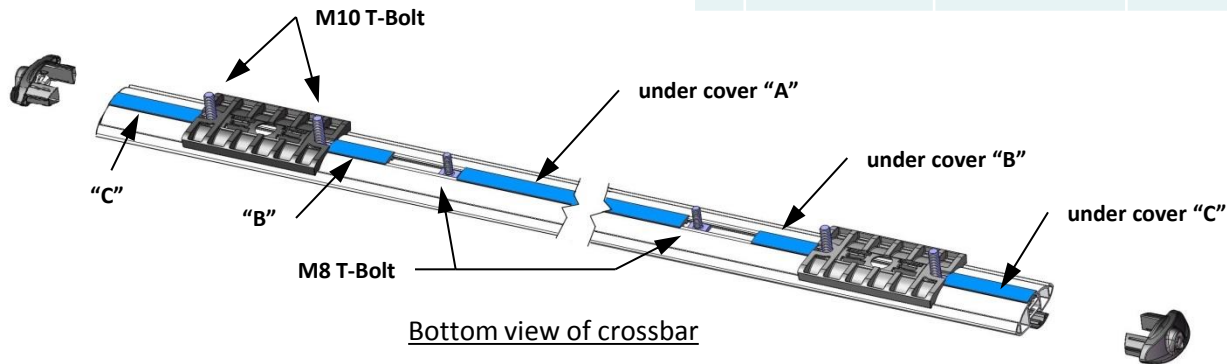
Locked

5



| | TACOMA | TUNDRA | TITAN | QTY |
|---|-----------------|---------------|-----------------|-----|
| A | 30-3/8" (771mm) | 36" (916mm) | 34-3/8" (874mm) | 1 |
| B | 2-1/2" (62mm) | 2-1/2" (62mm) | 2-1/2" (62mm) | 2 |
| C | 5-3/4" (146mm) | 3.0" (75mm) | 3-3/4" (95mm) | 2 |

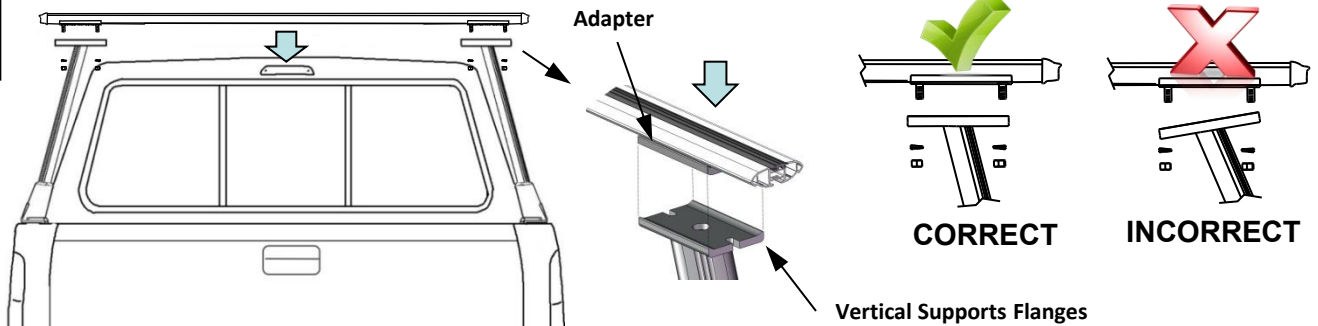
- The length of under varies by vehicle make and model
- Using a small hack saw, cut under covers to proper length per diagram shown.



Bottom view of crossbar

- Install under covers, (4) M10 T-Bolts, (2) Crossbar Mounting adapters, and (2) M8 T-Bolts as shown, both crossbars.

6



CORRECT

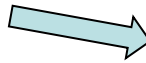
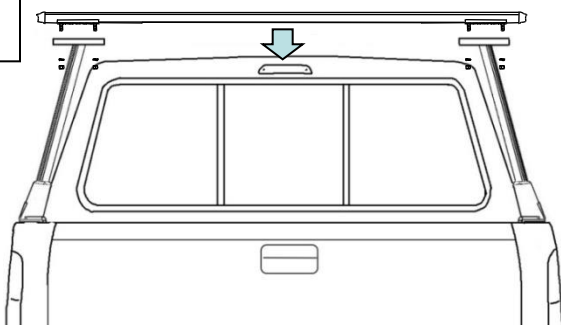
INCORRECT

Vertical Support Flanges

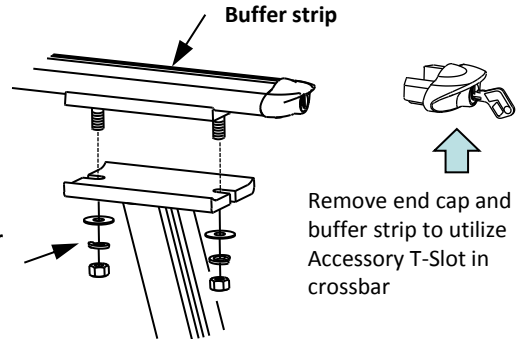
- Place crossbars onto Vertical Supports and center crossbar side-to-side.
- Align the Adapters and M10 T-Bolts with the Vertical Support Flanges.
- IMPORTANT NOTE: Ensure crossbar is sitting flat on the Vertical Support Flanges.

Please read all instructions carefully before assembly, installation and/or use of this product.

7

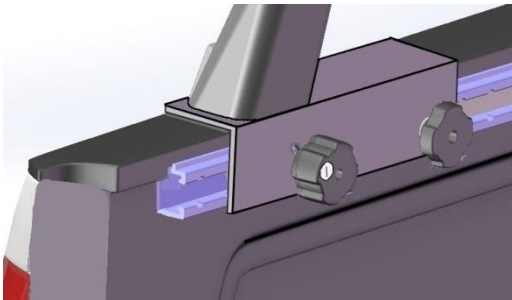


M10 Flat Washer
M10 Lock washer
M10 Hex nut
(8) Places



- Secure crossbars to vertical supports using the M10 flat washers, lock washers, and hex nuts onto T-Bolts in crossbars.
- Securely tighten all M10 fasteners to 38 Lb.-Ft. (52 N*M)

8



- Firmly and evenly hand tighten all (8) clamping knobs.
- Note: The Locking Clamp Knob is locked when it is free to spin.



Unlocked



Locked

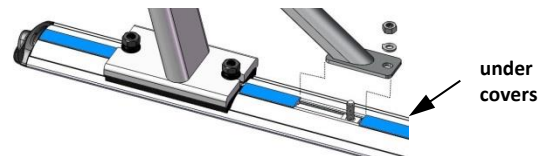
9



- Raise corner brace into position and attach the top of brace to M8 T-bolt in crossbar using (1) M8 hex nut and lock washer as shown.
Note: Adjust under covers so corner brace sits flat against crossbar.
- Next, install the M8 Button head screw and lock washer into the rivet nut in vertical support tube.
- Securely tighten all M8 fasteners to 25 Lb.-Ft. (34 N*M)
Note: M5 hex wrench provided for button head screw.
- Repeat steps for all four corner braces.

M8 Lock Washer
M8 Hex Nut

M8 Lock Washer
M8 Button Head Screw



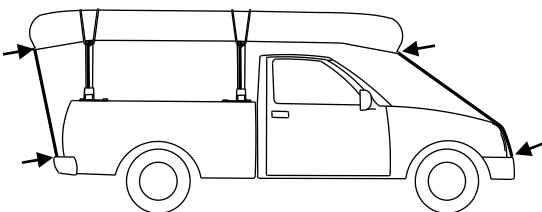
under covers



WARNING

Always secure front and rear of long loads to ends of vehicle for safe transport. Failure to do so can result in property damage, personal injury, or death.

REMOVE YOUR RACK AND ACCESSORIES WHEN NOT IN USE AND BEFORE ENTERING AUTOMATIC CAR WASHES



Accessories:



Load Stop Kit (Sold as set of 4)
Part# 59794



Tie Down Loop Kit (Sold as set of 4)
Part# 59795



Eye Bolt Kit (Sold as set of 4)
Part# 59796

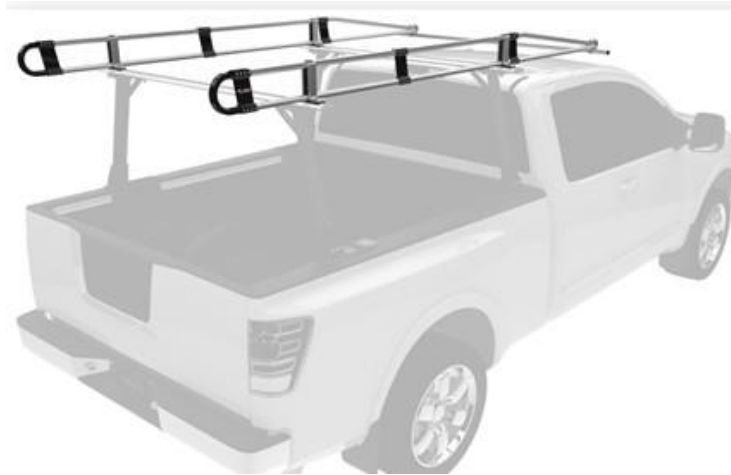


J-Rac Kayak Carrier (Sold as set of 2)
Part# 59912



* PVC pipe shown – not included

Conduit Carrier 6" Diameter
Part# 59797



Top Rail Kit
Part# 59798