



Toyota Venza  
2009 – and Up  
Roof Rack Installation Guide

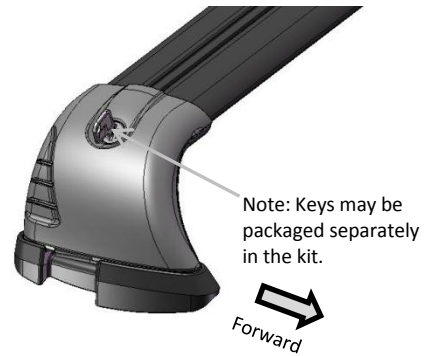
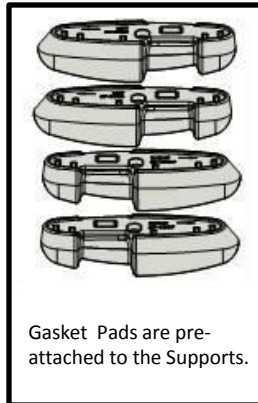
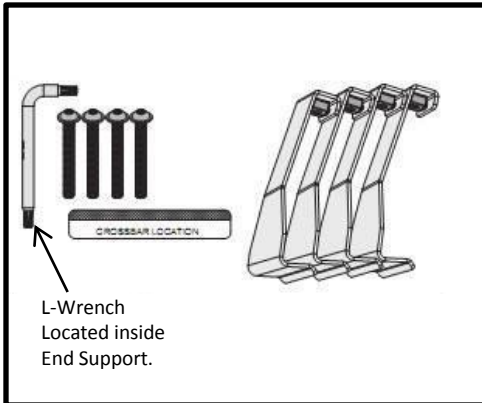
PART No.

59731

Carrying Capacity

110 Lbs./  
50 Kgs.

KIT COMPONENTS



Fitting Straps into End Supports

Prior to Assembly, check that your Roof Rack Box contains all the parts as shown above. Ensure that the vehicle roof is clean and dry.

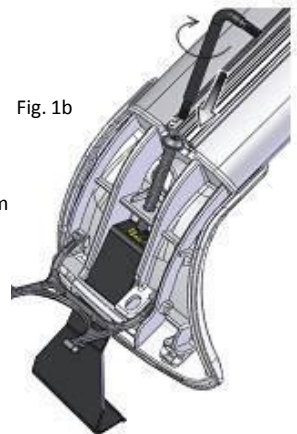
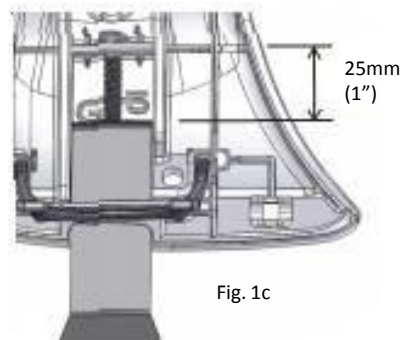
Please note that some illustrations depicted in these instructions are only representative and your items may look different. Read these instructions carefully before commencing. You can use a protective cloth when installing your racks to protect of vehicle's finish.

Ensure your straps correspond with the mounting positions on the vehicle before installing them into the End Supports. Use strap notches as shown above to identify the correct car position.

1. Un-fasten and rotate the Covers off the End Supports. The Covers can remain attached to the Hinge on the Supports.
2. Remove the Gasket Pads by carefully pulling them off the End Supports. (Pads are clipped on by "T" clips)
3. Feed the Strap neck through the cavity in the End Support. (Fig. 1a) When the Neck is through rotate the Strap down and then push up to align the bolt hole and the cage nut.
4. Use the supplied "L" wrench to feed the bolts into the cage nuts. (Fig. 1b) The "L" wrench is located inside the end support.
5. Leave approximately 1" (25mm) of gap between the top of the Strap and the bolt head. This will aid in installation to the door frame. (Fig. 1c)

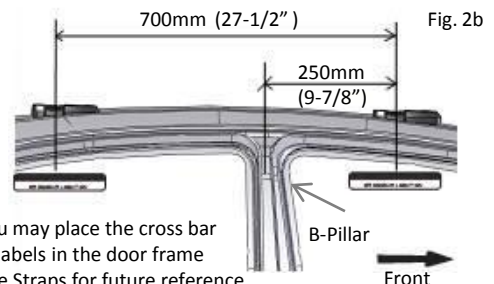
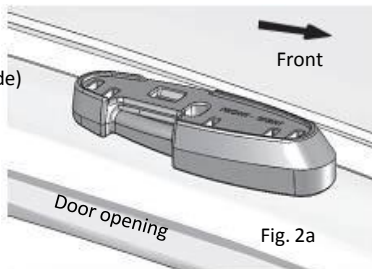


TIP: Pull the Buffer Strips back approximately 1-1/2" (40mm) to allow good access for the "L" wrench to fit into the bolt head.



Placement of End Supports onto Vehicle Roof

6. The Gasket Pads all have vehicle roof position text on the top inside surface. (Left = Drivers side, Right = Passenger side) These can now be replaced on the end supports. Re-fasten using the T clips.
7. Using the vehicles B-Pillar place the cross bars as specified. ( Fig. 2a & 2b) Note: Gasket only shown for clarity.



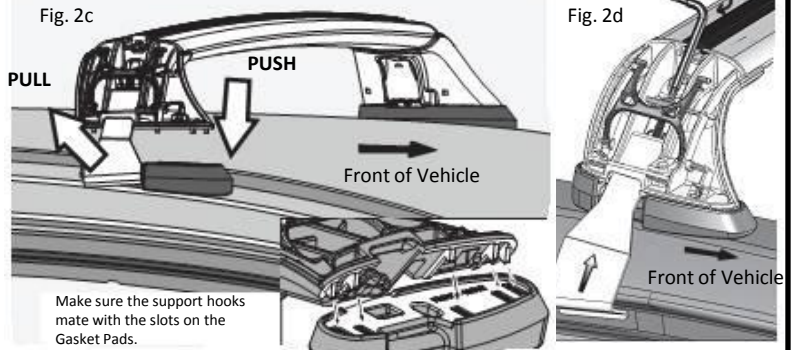
Note- You may place the cross bar position labels in the door frame below the Straps for future reference.

## Installation Instructions: Toyota Venza 2009 – and Up

8. With one strap loosely mated around the door frame, hold the other side Strap out from the body side and place into the door frame. (Fig. 2c)  
Ensure the rubber pads on the straps are in place to avoid paint damage.

9. Using the supplied "L" wrench tighten the bolts to pull the Straps up towards the door frame. (Fig. 2d)  
Tip: While tensioning the Straps alternate from side to side to ensure even tension on both sides.

**Ensure bars are parallel and straps are tightened fully. Perform a check by tugging on the cross bars.**

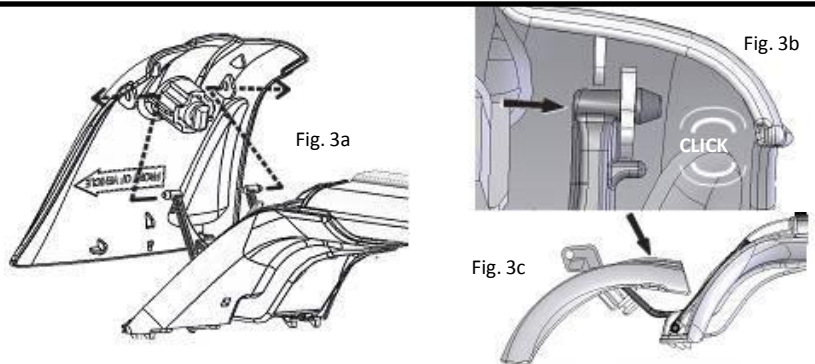


## Attaching Covers to End Supports

Should you need to remove your GTX covers the following describes the replacement and use.

10. Locate the ends of the Hinge with the Cover hinge holes. Flex the Hinge ends in and push through the Cover holes until the capped ends engage. (you'll hear an audible click) (Fig. 3a & 3b)

11. To fully extend the Covers away from the Support (to access the Accessory Channel or mounting hardware) Pivot the Cover on the Hinge while pushing down on the top of the Cover. (Fig. 3c)

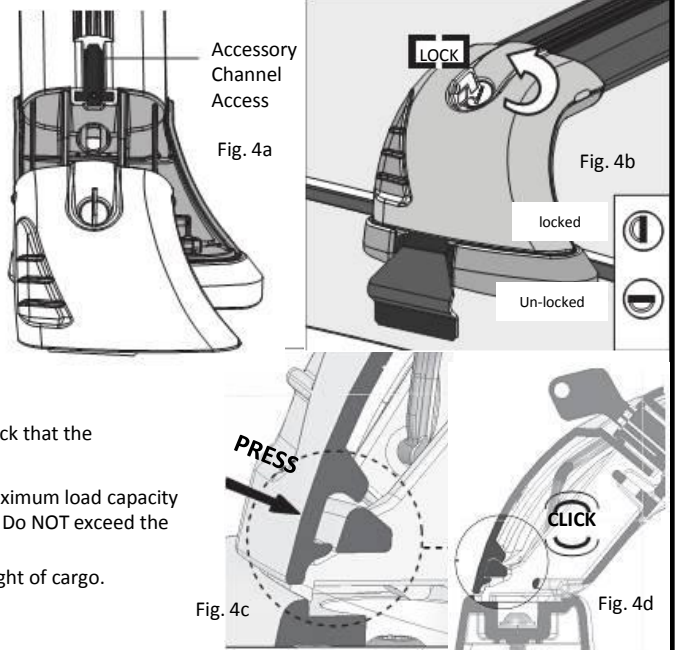


## Locking Covers and Mounting Accessories

12. You are now ready to mount your accessories examples: Bike, Kayak, luggage carriers by using the Accessory Channel if applicable. "T" bolts are available to mount accessories. (Fig. 4a)  
Be sure to cut your buffer strips to size to completely cover your channel once the accessories are mounted.

13. Lock all four covers into place using the keys provided. (Fig. 4b) Store your keys in a safe place such as the glove box or key ring. Replacement locks and keys are available as a service items.

14. Ensure all covers are pushed up hard against the End Supports. (Fig. 4c & 4d) You'll hear an audible "click" when the cover is fully engaged.



## General Usage Information

\* It is essential for the proper assembly, operation and use of the Roof Rack that the instructions and safety precautions supplied are strictly observed.

\* The maximum permissible load for your roof rack is the lower of the maximum load capacity specified in your owners manual or specified on your roof rack load label. Do NOT exceed the maximum load capacity.

Maximum load capacity equals the weight of the rack + accessories + weight of cargo.  
Ensure your vehicle's function is not impaired before driving.

