

Please read all instructions carefully before assembly, installation and/or use of this product.

ASSEMBLY INSTRUCTIONS

1. Use key to unlock lock on Collar Bracket.
2. Pull spring loaded release pin on side of Main Support tube, remove handle mechanism, and rotate bike Support Arms into the **UP** position. Re-insert the handle mechanism. Pull out the spring loaded release pin and push handle all the way down. Let the spring loaded pin go so that it fully engages the handle mechanism.
3. Slide the Collar Bracket onto the bike carrier Main Support tube in orientation shown (see Diagram 1).
4. Attach Collar Bracket to Main Support tube using one (1) $\frac{1}{2}$ " x 3- $\frac{1}{4}$ " lg. hex bolt, two (2) nylon flat washers, and locknut installed through the "slotted" hole in Collar Bracket. Tighten locknut until it is snug against the flat washers.
5. Attach Receiver piece to Collar Bracket using two (2) $\frac{1}{2}$ " x 3" hex bolts through the $\frac{1}{2}$ " diameter holes (closest to end of tube). (See Diagram 2)
Tighten Receiver piece bolts to 75 Lb.-Ft.
7. Lock Collar Bracket to Main Support tube so bike carrier is in the upright position.

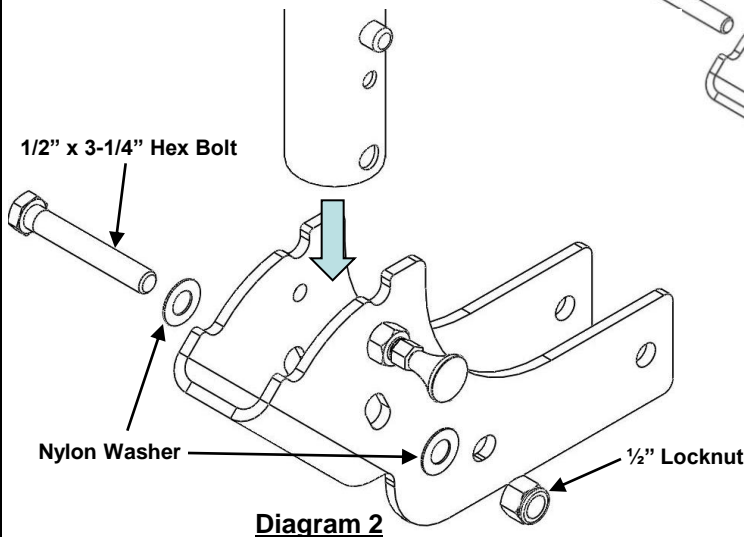
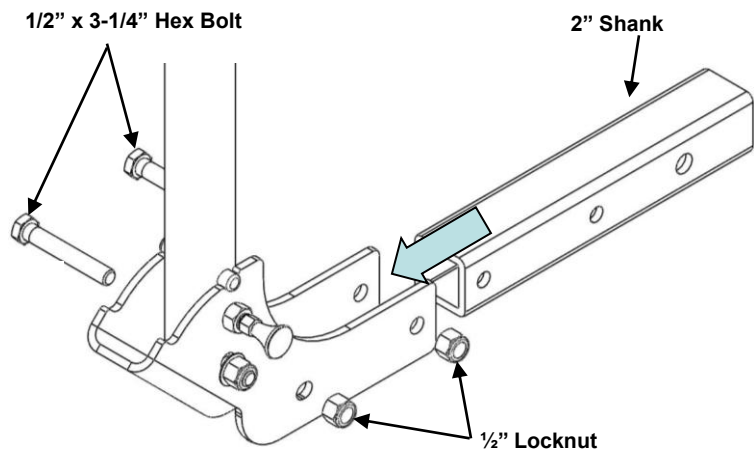
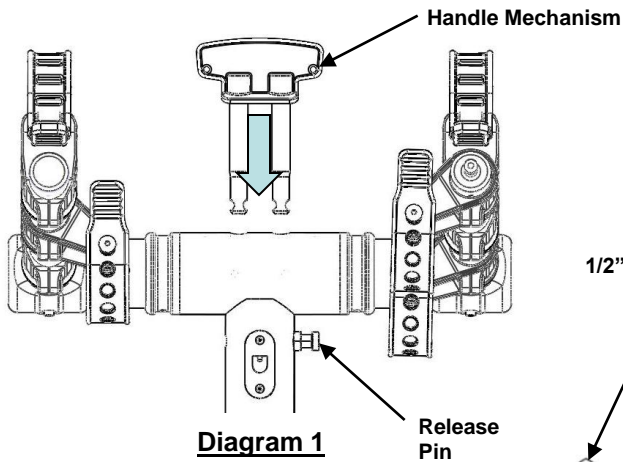


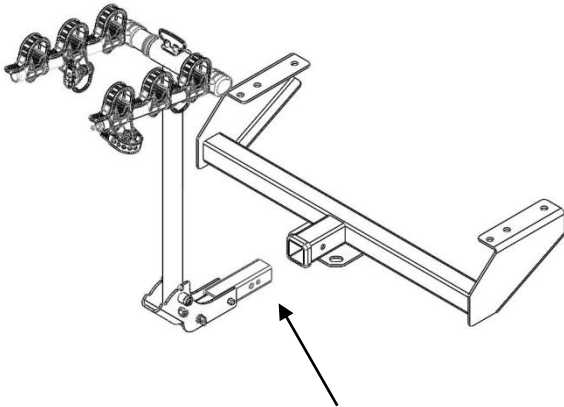
Diagram 3

Diagram 2

Please read all instructions carefully before assembly, installation and/or use of this product.

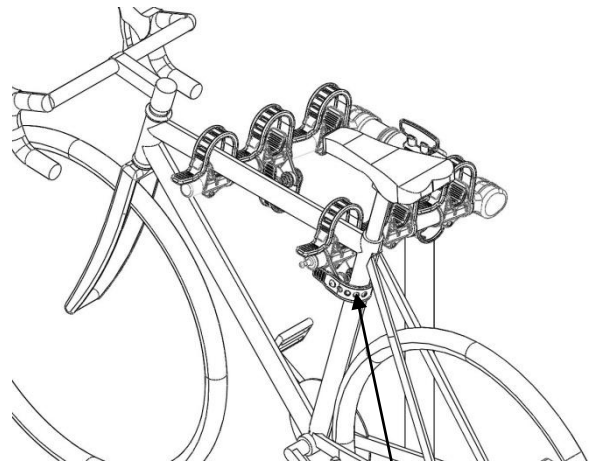
LOADING INSTRUCTIONS:

1. Place the bike rack receiver into your receiver hitch. Fit rack as close to vehicle as possible.
2. For 2" hitch, secure rack with 5/8" hitch pin and clip.
3. The bikes are loaded onto the rack alternating each bike, with the anti-sway cradle being closest to the seat tube.
- (See Diagram 5)
4. Secure the bikes by pulling the bungee straps over the top of the bike frame. The anti-sway straps wrap around the seat tube prevent the bike from swaying.
5. Check the bungee straps periodically and after stopping to insure that they are still tight and that someone has not released them. NOTE: Insure all locks are locked, that all pins are secured, and that all bungee straps are properly attached prior to moving the vehicle. Failure to do so will void the warranty.



Install 5/8" Silent Hitch Pin and clip for 2" hitch

Diagram 4



Anti-Sway Cradle

Diagram 5

INSTRUCTIONS FOR FOLDING THE RACK:

1. To release the lock pin, pull spring pin and rotate 90 degrees.
2. Pull support tube firmly upwards until lower pin slides to the top of its slot.
- (See Diagram 6)
3. Lower the tube slowly back until support tube rests on the stop plate.
NOTE: Do not drop or let the support tube fall freely. Make sure that your hands and fingers are clear of the hinging area during this operation.
4. To restore the rack to the upright position, do reverse procedure.
5. Check periodically to insure you have a solid fit between the rack and the mounting location

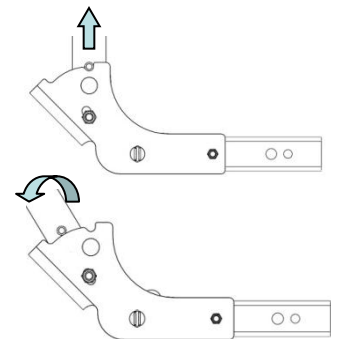


Diagram 6



Built for *Extremes*, Designed for Everyday Life

Product Name:

4 Place Bike Carrier - Folding

Product Code:

59401

Please read all instructions carefully before assembly, installation and/or use of this product.

IMPORTANT NOTES:

- This bicycle rack has been designed to carry four (4) bikes, as long as the maximum weight on the rack does not exceed 45 kgs or 100 lb.
- This rack is designed for typical use and applications (on paved or smooth gravel roads). Do not use this rack on a vehicle that will be driven on rough roads or where the rack (and bikes) will be subjected to significant or constant jarring and/or shock, or any vehicle with very stiff springs that will transfer the load shocks directly to the rack and the bikes.
- Proper fitting and installation of this carrier to your specific vehicle is critical, and is the owner's sole responsibility.
- Improper use of this product may result in damage to your rack, your vehicle, your bicycles, or even other vehicles driving behind you (as a result of colliding with or trying to avoid fallen bicycles and/or the rack).
- ROLA™ racks are powder coated to help prevent rust. As with any metal equipment it is recommended that you keep the rack clean and remove road salt and debris.
- When leaving them outside for extended periods of time the finish will lose its luster. It is recommended that when not in use the rack is stored indoors.
- The rack won't carry bikes with oblong frame tubes or unusually large frame sizes.
- Take care to add padding on any area of the bikes that touches another bike or any part of the vehicle. Damage can and will happen (to your bikes and/or to the vehicle) if care is not taken during the loading and transporting of your bikes, and padding used where necessary.
- Bicycle tires should be kept at least 6" away from the exhaust pipes of the vehicle. The high temperature exhaust exiting from the exhaust pipes is hot enough to melt or damage tires. Keep all bike tires totally away from the direct exhaust flow.
- Bikes fitted with large accessories (such as child carrying seat) will greatly increase the wind resistance and therefore the pressure on the rack and all vehicle-mounting points. Reducing vehicle speed will reduce the chance of any problems occurring because of this situation.
- After reading this manual, should you have any additional questions regarding the compatibility, fitting and/or use of this rack, please call your nearest ROLA™ authorized retail dealer.

WARNING:

- **DO NOT USE THIS BIKE CARRIER ON A TRAILER OR 5th WHEEL R.V.**
- Improper mounting will void the rack warranty.
- Damage to bicycles or rack due to ground clearance problems are not covered by warranty.