



RHINO-RACK

Rhino Luggage Bag

Half(LBH), Small(LBS), Medium(LBM), Large(LBL), Extra Large(LBXL).

Note: Please read these instructions carefully prior to installation.
Please refer to your fitting instruction to ensure that the roof racks are installed in the correct locations.
Check the contents of kit before commencing fitment and report any discrepancies.
Place these instructions in the vehicle's glove box after installation is complete.

IMPORTANT:

The Luggage Bag is only to be mounted onto a Rhino Roof Basket or Rhino Alloy Tray, NOT directly to the cross bars or directly onto the vehicle roof.

The Luggage Bag is designed to carry light bulky items only. It is NOT to be used for carrying heavy items such as; BBQ gas bottle, spare wheels, high lift vehicle jack etc.

Sharp objects must be properly wrapped and secured so as not to puncture the Luggage Bag.

Wash the Luggage Bag with a non petroleum based detergent such as dishwashing liquid or car wash. Never use a scourer or wire brush on the Luggage Bag.

To minimise the chance of water and dust entering the Luggage Bag ensure the hook and loop fastener strips on BOTH laps are sealed properly (see step 3) the whole way around.

WARRANTY

MISUSE OF THE PRODUCT BY NOT FOLLOWING THESE RECOMMENDATIONS WILL VOID YOUR WARRANTY.

Recommendations;

It is essential that all strap and bolt connections be checked after driving a short distance when you first install your Rhino Rack accessory. Connections should be checked again at regular intervals (probably once a week is enough, depending on road conditions, usage, loads and distances travelled). You should also check the cross bars and accessories each time they are refitted. Make sure to fasten your load securely.

Please ensure that all loads are evenly distributed and that the centre of gravity is kept as low as possible.

Use only non-stretch fastening ropes or straps.

Sensitivity to crosswinds, behaviour in curves and braking.

The handling characteristics of the vehicle, changes when you transport a load on the roof. For safety reasons, we recommend you exercise extreme care when transporting wind-resisting loads; special consideration must be taken into account when braking.

Please remove cross bars and luggage bag when putting vehicle through an automatic car wash.

Load Ratings.

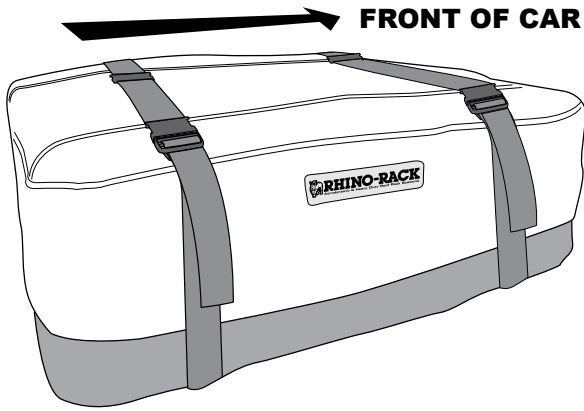
Refer to vehicle manufactures carrying capacity for cross bars. When cross bars are to be used in off-road conditions, please build a safety factor of 1.5 into this load limit. Although the roof racks are tested and approved to AS1235-2000, Australian road conditions can be much more rigorous. However, increasing the number of cross bars does not increase the vehicles maximum permissible roof loading.



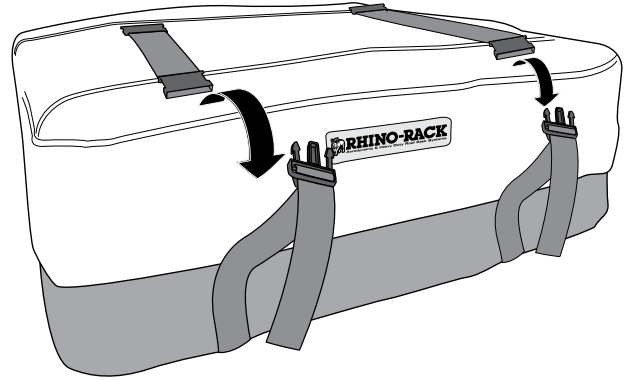
Rhino Luggage Bag - LBH, LBS, LBM, LBL, LBXL.

Luggage Bag Opening Instruction

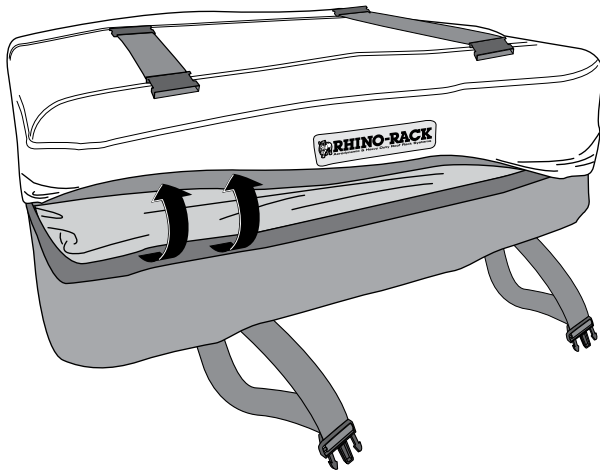
1 Medium Bag (LBM) shown.



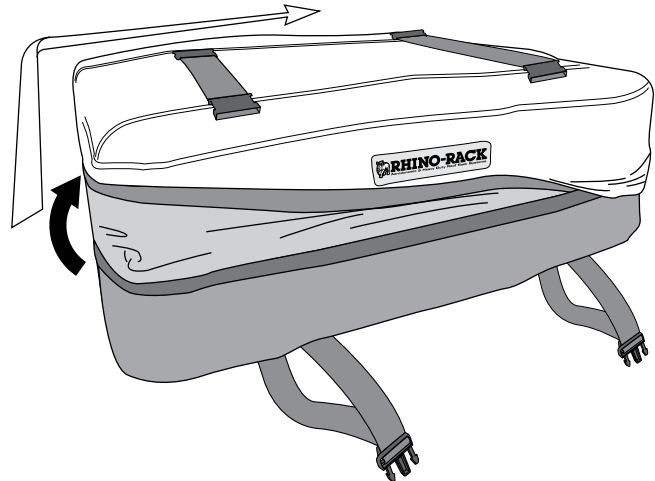
2 Unclip all 4 buckles on both sides of the bag.



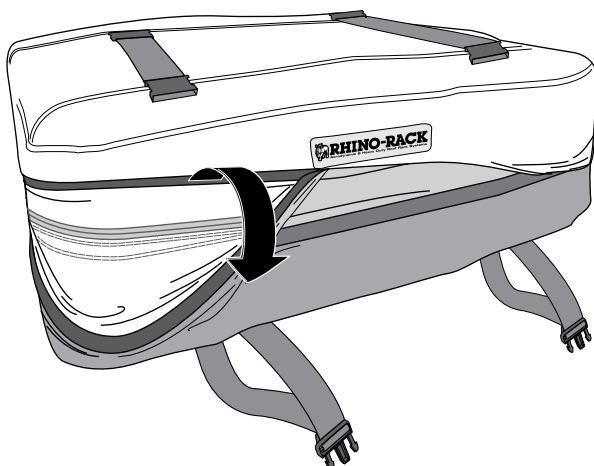
3 Lift up top flap as shown.



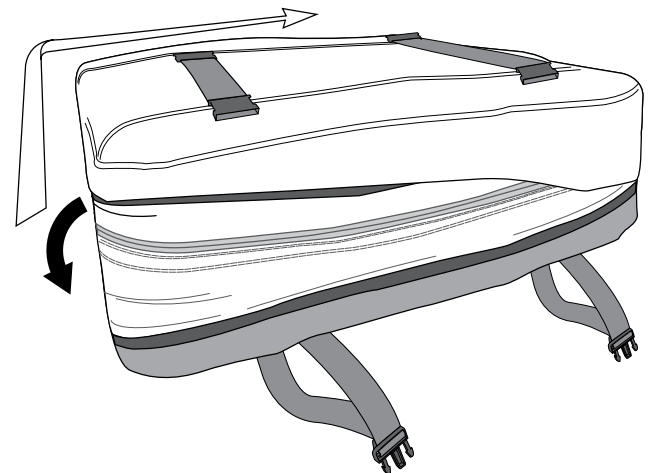
4 Continue to lift up the top flap around the bag.



5 Pull down bottom flap as shown.



6 Continue to pull the bottom flap down around the bag. Unzip the bag from rear. Bag is ready to be used.

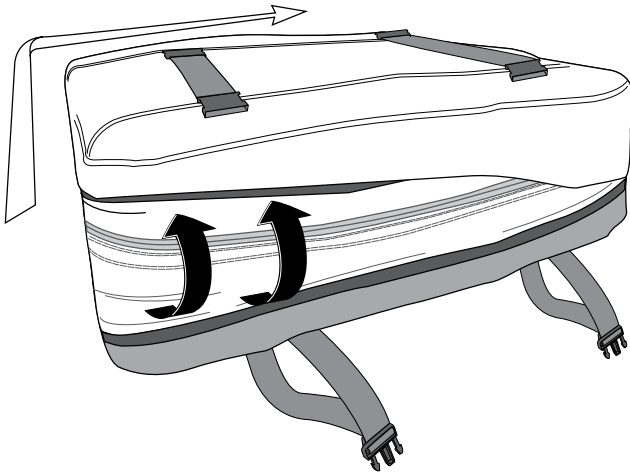




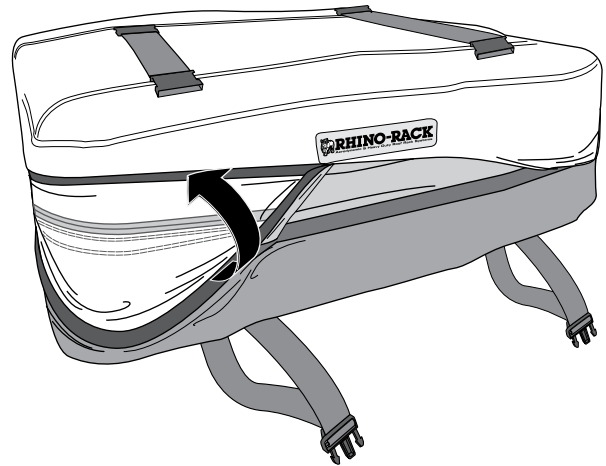
Rhino Luggage Bag - LBH, LBS, LBM, LBL, LBXL.

Luggage Bag Closing and Sealing Instruction

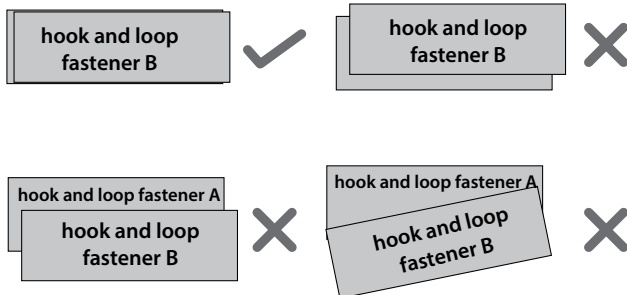
- 1** Lift up bottom flap as shown. Ensure the hook and loop fastener lines up.



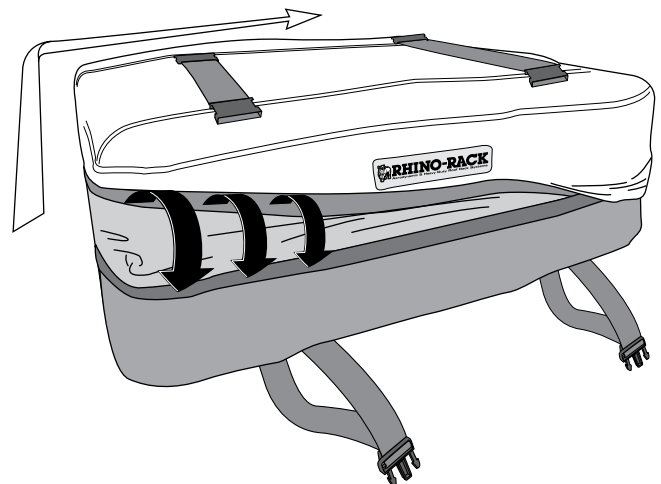
- 2** Repeat this across the sides and rear of the bag.



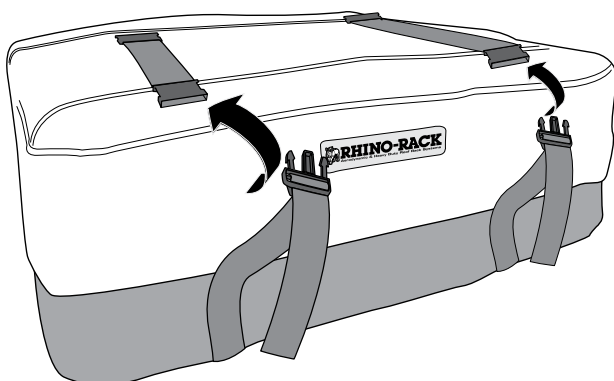
- 3** The hook and loop fastener needs to be aligned precisely to minimise the chance of water entering the bag. See the above diagram for reference.



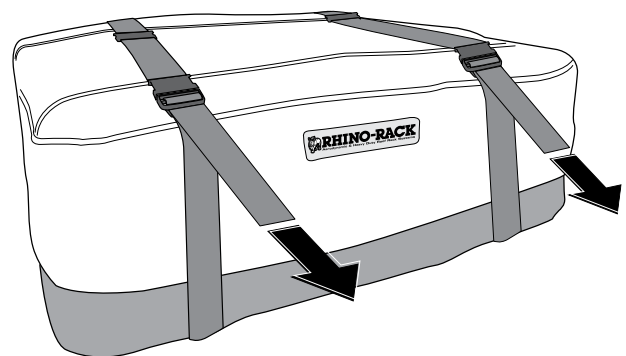
- 4** Pull down the top flap as shown. Ensure the hook and loop fastener lines up. (REFER TO FITMENT OPTIONS - I.E. BASKET, TRAY)



- 5** Clip all 4 buckles on both sides of the bag.



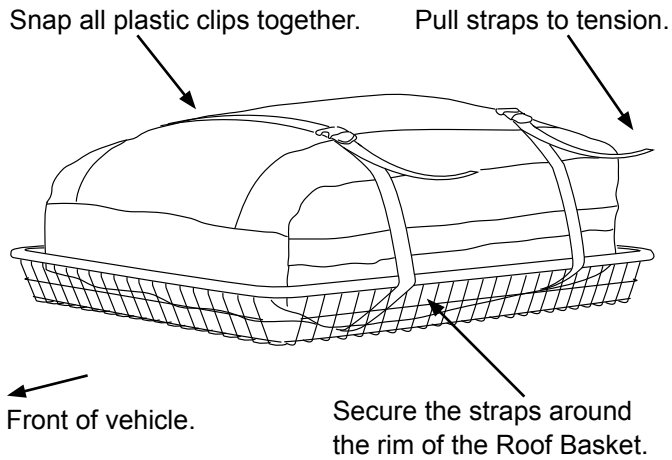
- 6** Pull strap to secure the load in place.





Rhino Luggage Bag - LBH, LBS, LBM, LBL, LBXL.

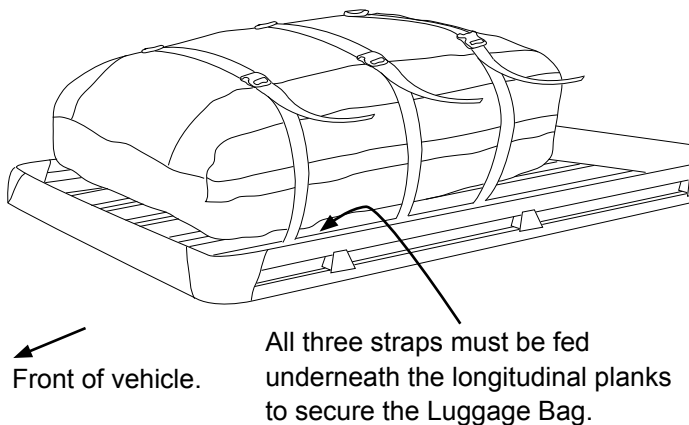
1 Medium Bag (LBM) shown.



Roof Basket fitment:

- Place the Luggage Bag onto the Roof Basket **with the opening to the rear of the vehicle**. Unzip the bag to add items inside. Zip the bag up and press the hook and loop fastener stripping together.
- Secure the bag to the basket by threading the external straps through the basket and around the outer rim of the basket. Snap the plastic clips together. Pull the straps to put tension on the load.
- Additional straps should be used to secure odd shaped loads.

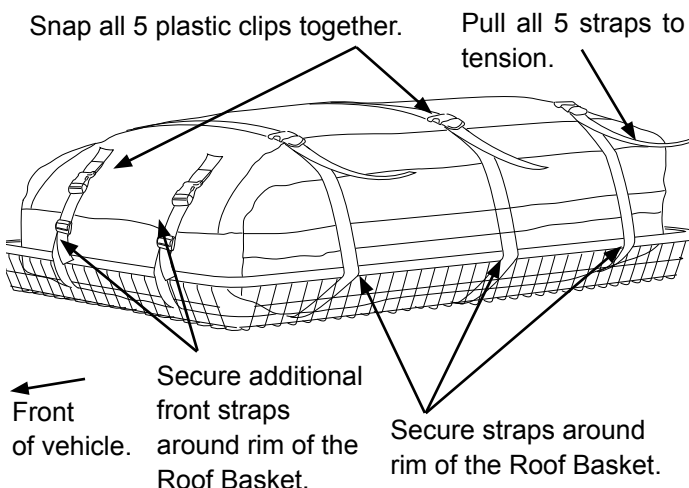
2 Large Bag (LBL) shown.



Alloy Tray fitment:

- Place the Luggage Bag onto the Alloy Tray **with the opening to the rear of the vehicle**. Unzip the bag to add items inside. Zip the bag up and press the hook and loop fastener stripping together.
- Secure the bag to the Alloy Tray by threading the external straps under the longitudinal planks. Snap the plastic clips together. Pull the straps to put tension on the load.
- Additional straps should be used to secure odd shaped loads.

3 Extra Large Bag (LBXL) shown.



Extra Large Luggage Bag (LBXL):

- Place the Luggage Bag onto the Roof Basket or Alloy Tray **with the opening to the rear of the vehicle**. Unzip the bag to add items inside. Zip the bag up and press hook and loop fastener stripping together.
- Secure the side straps as described in step one & two.
- Two additional straps are attached to the front.
- For the Roof Basket** secure the front two straps around the front rim of the basket.
- For the Alloy Tray** secure the front two straps around the front railing of the tray.
- Additional straps should be used to secure odd shaped loads.