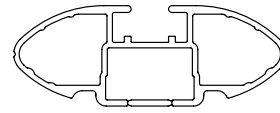


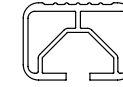


Rhino Rack 2500 Series - DK470 / DK470F instruction

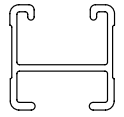
CROSSBAR IDENTIFICATION



VA crossbar



EURO crossbar



HD crossbar

Vehicle	Date	Crossbar	FRONT CROSSBAR					REAR CROSSBAR						
			Front Right Pad/Clamp	Front Left Pad/Clamp	Measurement strip length per side	Measurement strip length per side	Measurement Distance (x)	Foot plate arrow direction	Rear Right Pad/Clamp	Rear Left Pad/Clamp	Measurement strip length per side	Measurement strip length per side	Measurement Distance (x)	Foot plate arrow direction
HONDA Ridgeline 4dr Pickup 2nd Gen	17-	1500mm	M366 SUB0151	M366 SUB0151	152mm	N/A	1192mm / 46 15/16"	OUT	M366 SUB0460	M366 SUB0460	137mm	N/A	1162mm / 45 3/4"	OUT
			Pad Arrow FORWARD						Pad Arrow FORWARD					



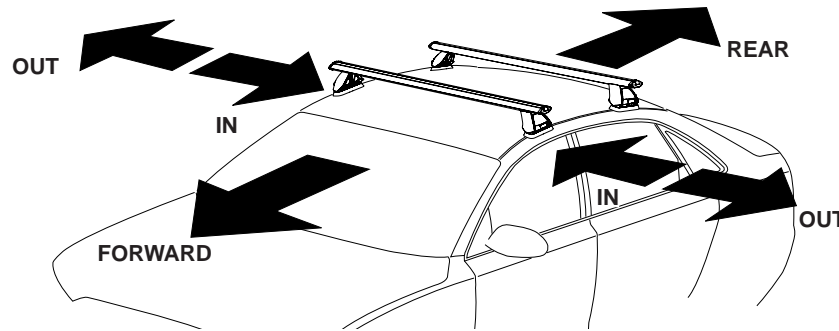
Rhino Rack 2500 Series - DK470 / DK470F instruction

Measurement A: CENTRE of door jamb to CENTRE arrow of leg foot plate.

Measurement B: CENTRE of Front leg foot plate arrow to CENTRE of Rear leg foot plate arrow.

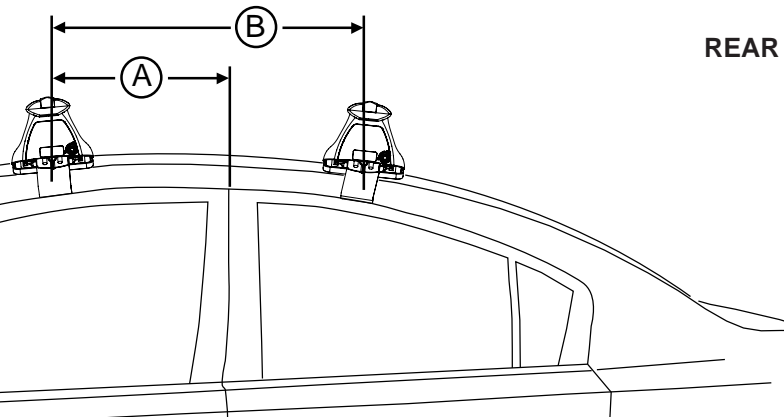
Carrying capacity: Roof rack is rated up to 75kg. Please refer to manufacturers handbook for your vehicles maximum roof load capacity. Always use the lower of the two figures.

Direction of Pad Arrow
and Foot Plate Arrow



FRONT

REAR



VEHICLE	Date	Measurement A	Measurement B	Load Rating up to (includes racks 5kg/ 11lbs)
HONDA Ridgeline 4dr Pickup 2nd Gen	17 -	200mm / 7 7/8"	700mm / 27 9/16"	75kg / 165lbs