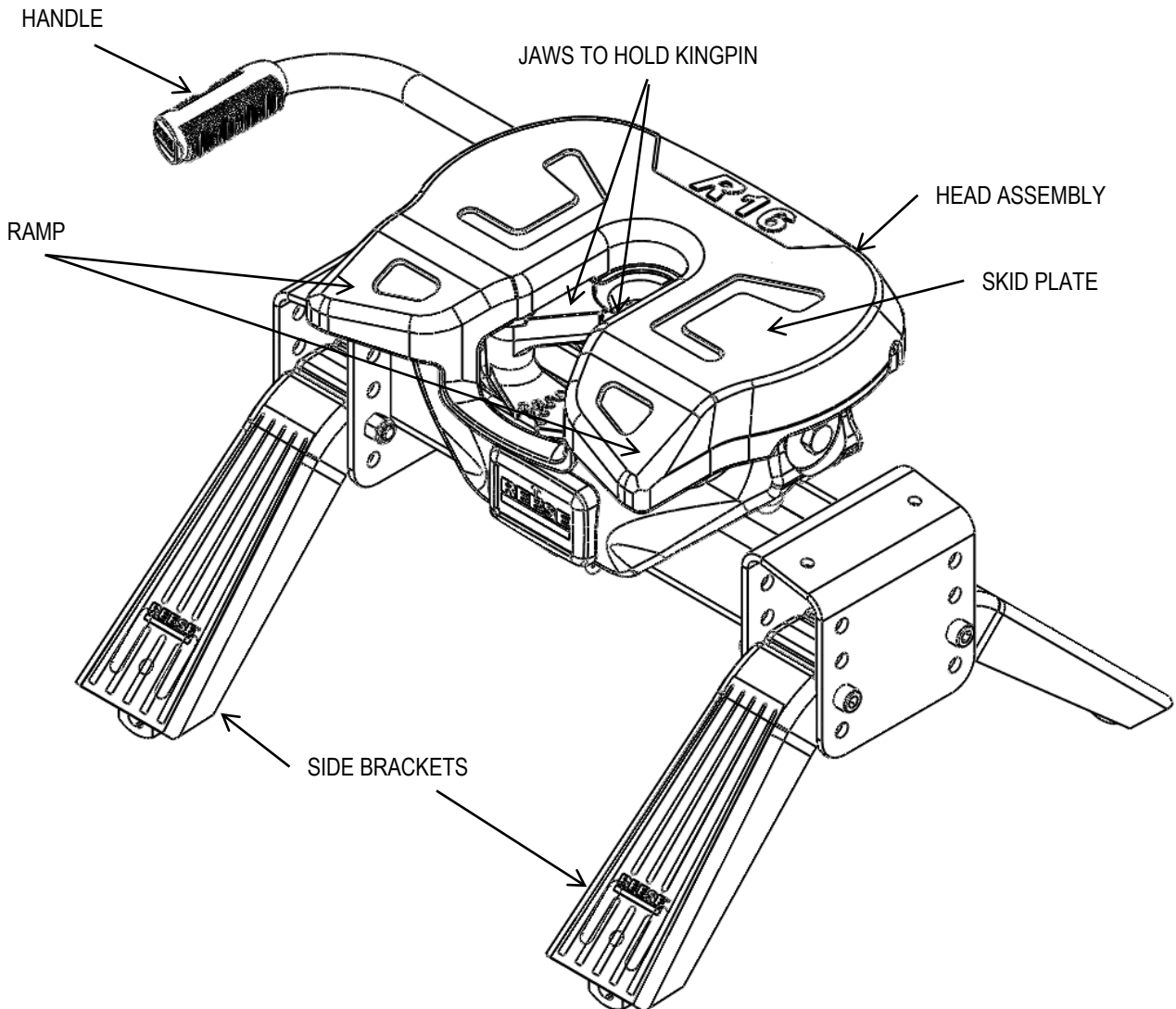


DEALER/INSTALLER:

- (1) Provide this Manual to end user.
- (2) Physically demonstrate hitching and unhitching procedures in this Manual to end user.
- (3) Have end user demonstrate that he/she understands procedures.

END USER:

- (1) Read and follow this Manual every time you use hitch.
- (2) Save this Manual for future reference.
- (3) Pass on copies of Manual to any other user or owner of hitch.





WARNING:

Failure to follow these instructions may result in death or serious injury!

INDEX

1. GUIDELINES FOR MATCHING TOW VEHICLE AND TRAILER	P. 2
2. ASSEMBLY INSTRUCTIONS	P. 4
3. BEFORE EACH TRIP	P. 5
4. HITCHING PROCEDURE	P. 5
5. PULL TEST	P. 8
6. UNHITCHING PROCEDURE	P. 8
7. MAINTENANCE	P. 9
8. REESE LIMITED LIFETIME WARRANTY	P. 9

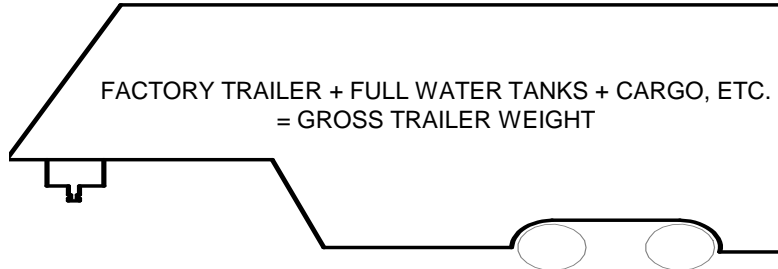
GUIDELINES FOR MATCHING HITCH TRUCK AND TRAILER



WARNING:

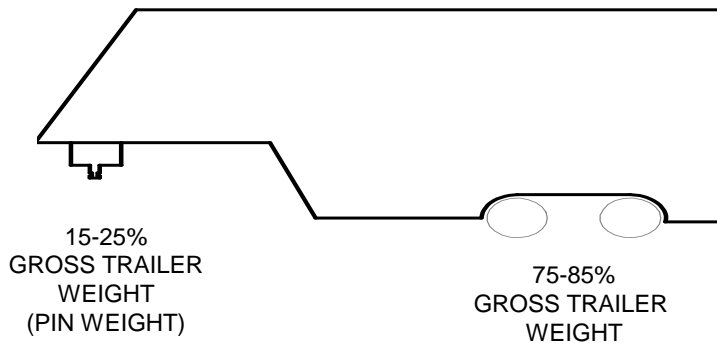
- Trailer and its contents together must not exceed truck, hitch and/or trailer tow ratings.
- Towing vehicle must have a manufacturer's rated towing capacity equal to or greater than the gross trailer weight (dry weight of the trailer plus payload of the trailer). (See Fig. 1)
- Gross weight of trailer must not exceed 16,000 pounds.
- King pin weight must not exceed 4,000 pounds (See Fig. 2). If in doubt have king pin weight measured by qualified facility.

Fig. 1



1. Reese hitches are designed for use with recreational fifth wheel trailers only. Hitch applications other than recreational fifth wheel trailers must be approved in writing by Reese's Engineering Department.
2. Use only a SAE 2-inch king pin with your Reese Fifth Wheel Hitch.
3. Approximately 15%-25% of trailer weight should be on hitch (Pin Weight). See Fig 2.

Fig. 2

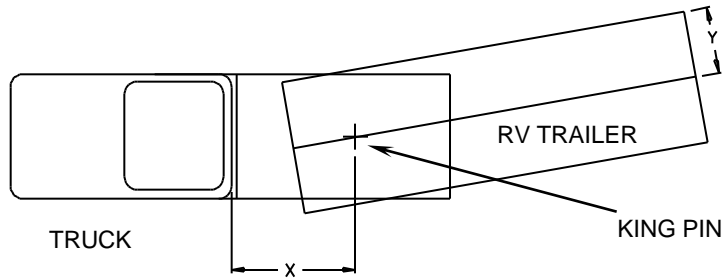


GROSS TRAILER WEIGHT

4. Trucks come in many different configurations. Reese hitches are designed for use in light trucks such as the Ford F-Series, the Chevy Silverado and the Dodge Ram. Reese recommends the use of long bed (8ft) light trucks for the best combination in truck - trailer turning clearance.

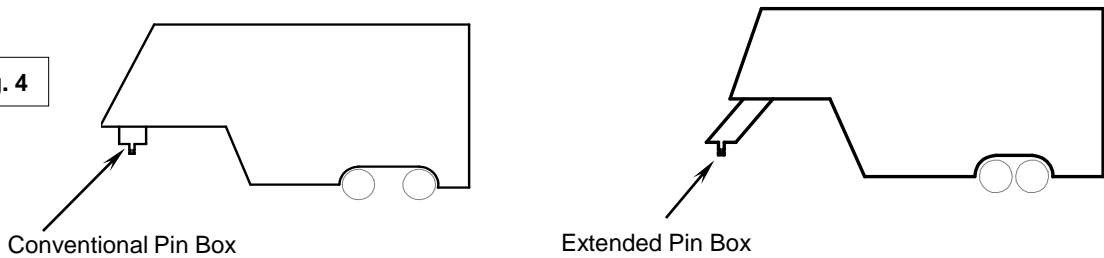
Rule of thumb: The distance from the back of the truck cab to the center of the rear truck axle ("X" in Fig. 3), should be approximately 4 inches greater than one-half the trailer width ("Y" in Fig.3)

Fig. 3



5. If a short bed pickup (less than 8 ft. but longer than 6 ft.) is to be used for towing, Reese recommends the trailer be equipped with an extended pin box to help gain additional truck - trailer turning clearance (See trailer manufacturer for options) (See Fig. 4). It also may be helpful to add a Reese Slider for increased turning clearance for low speed, non-highway maneuvering.

Fig. 4

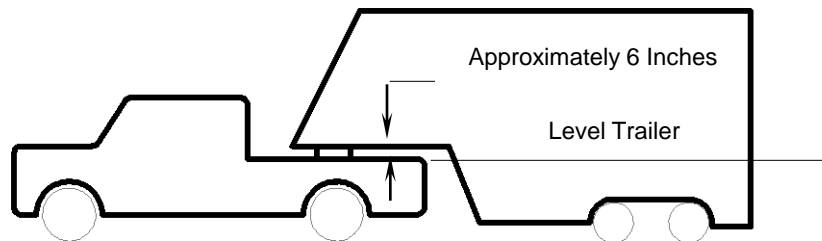


⚠ WARNING:

DO NOT install this fifth wheel hitch on or attempt to tow with a short bed pickup truck that has a bed shorter than 6 ft.!

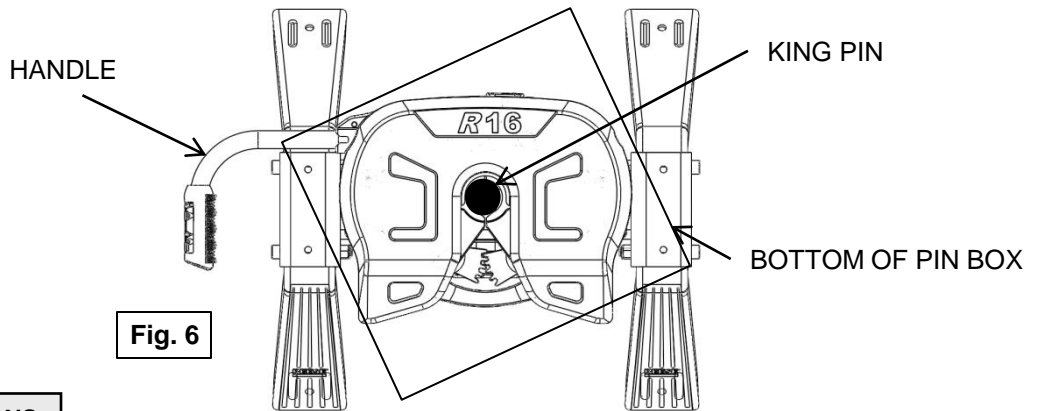
6. The height of the hitch and the pin box should be adjusted so the trailer is approximately level as it is towed. Allow approximately 6 inches clearance between the top of the pickup walls and the underside of the front of the trailer for pitch and roll of the trailer. (See Fig. 5). Allow more clearance between pickup walls and trailer for off road use.

Fig. 5



⚠ WARNING:

DO NOT use this hitch for towing a trailer with a pin box that could come in contact with or interfere with the latch of the hitch handle when turning! (See Fig 6) If the pin box contacts the hitch handle or its latch when turning, the trailer may become unhitched.



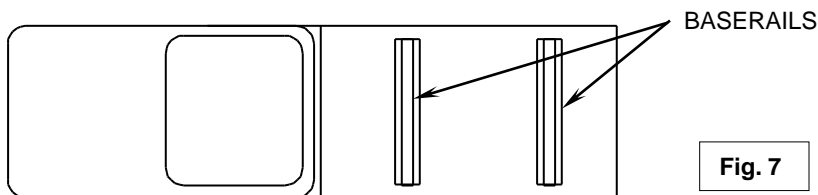
ASSEMBLY INSTRUCTIONS

⚠ WARNING:

- Connection for trailer wiring should be in the side of the truck bed between the driver's seat and the wheel well for the back truck axle
- Installation of connection rearward of the wheel well may result in user placing body between truck and trailer. **WHENEVER POSSIBLE, AVOID PUTTING BODY UNDER TRAILER OR BETWEEN TRUCK AND TRAILER!**
- If you need to place any part of your body under trailer or between truck and trailer:

- All trailer tires **MUST** be blocked in front and behind each tire **AND**
- Trailer landing gear **MUST** be resting on firm ground **AND**
- Truck **MUST** be stationary, in park, with emergency brake on!

1. Reference Fig. 20 on back page. Number in parentheses refer to parts in Fig. 20.
2. R16 Fifth Wheel is contained in two cartons. Unpack and become familiar with parts on parts list. Base rail, brackets and hardware are in separate kits with separate installation instructions for Fifth Wheel Rail Mounting Kit.
3. Place two base rails across bed of truck (See Fig 7). Select one leg and place tabs through the middle rectangular slot in the base rails. Slip long pull pins through holes in base rails from the inside out as shown so the cotter pins are on the outside of the base rails. Repeat for other leg. Secure pull pins with the spring retaining pins .



4. Select cross member (6) and install on leg aligning holes for hitch height desired. (Lowest position 14" highest 18"). Install four ½-13x4.5" Socket Head bolts (8), with the heads towards the outside as shown, and lock nuts (9).
5. Torque ½" nuts to 75 lb.ft.
6. Install base rails and mounting brackets as described in "Installation Instructions for 5th Wheel Rail Mounting Kit."

⚠ WARNING

Base rails must be bolted through the floor of the pickup to the brackets that attach to the truck frame. DO NOT INSTALL BY FASTENING TO THE FLOOR OF THE PICKUP BOX ONLY. The floor alone is not strong enough to carry the loads imposed by the trailer.

BEFORE EACH TRIP:

1. Lubricate skid plate of the hitch (see figure on cover of Manual) with automotive type chassis grease or use a plastic lube plate to provide a lubricated surface.
2. Plastic lube plates (Reese No. 83002) can be used to avoid messy grease. The plastic lube plate must not exceed 3/16 of an inch in thickness to ensure hitch will operate properly. Lube plates must be 10 inches in diameter or larger to properly distribute king pin weight.
3. Before each trip or maneuver, operate the handle and check that the jaws open and close freely.
4. See that all hitch pins (#11 on Fig. 20) are in place and are locked in place for attachment to the pivot beam. See that all hitch pins (#13 on Fig 20) are in place on the mounting system and the spring retaining clips (#10 on Fig 20) are installed.

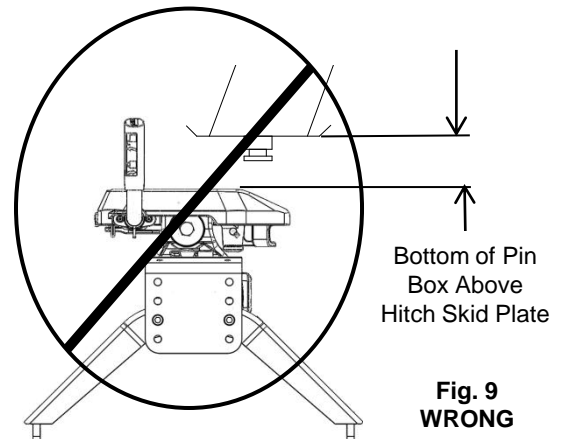
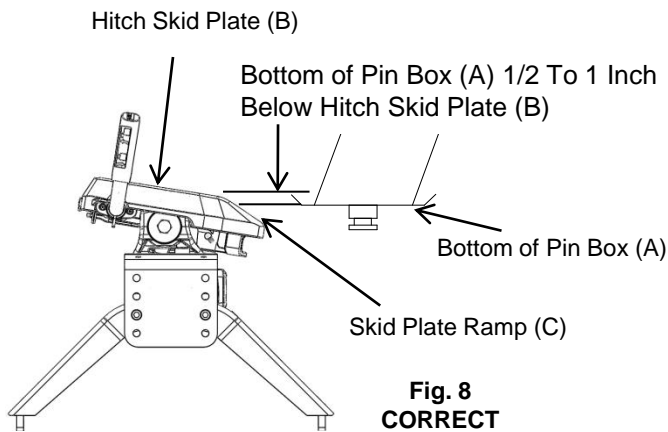
HITCHING PROCEDURE:

IMPORTANT: YOU ARE RESPONSIBLE FOR SAFE HITCHING AND UNHITCHING OPERATIONS. DO NOT RELY ON OTHERS TO PERFORM YOUR DUTIES. YOU MUST PERSONALLY MAKE SURE THE FOLLOWING STEPS ARE PERFORMED IN THE FOLLOWING ORDER!

⚠ WARNING:

FAILURE TO FOLLOW THESE INSTRUCTIONS MAY RESULT IN DEATH OR SERIOUS INJURY.

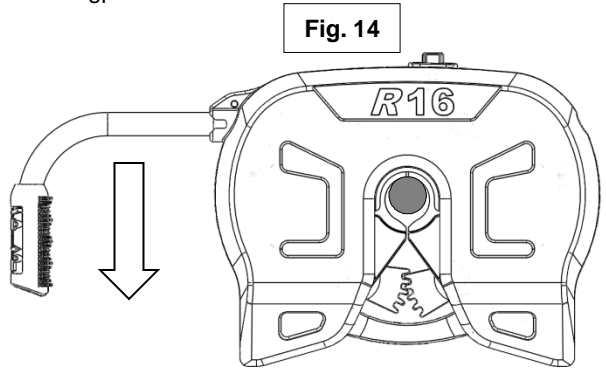
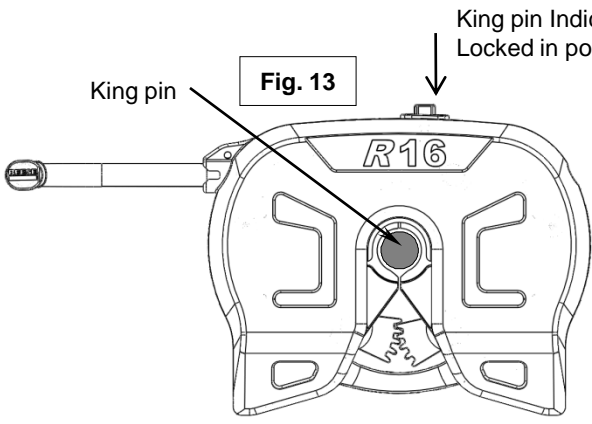
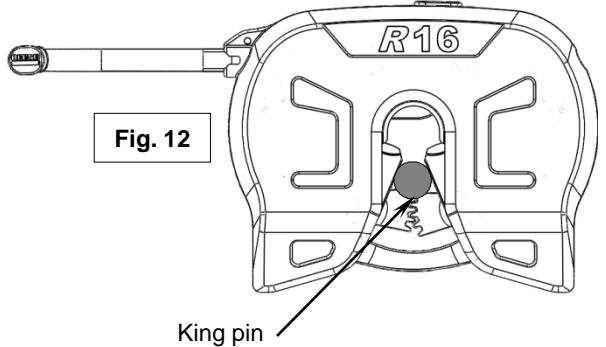
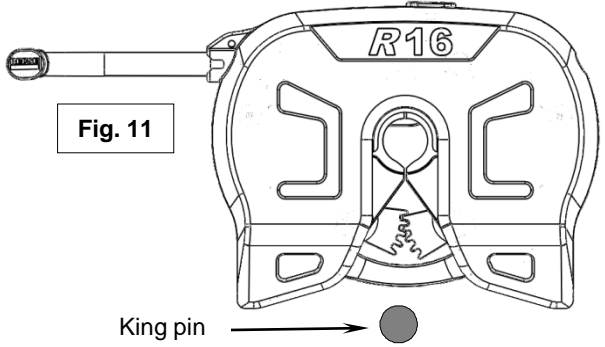
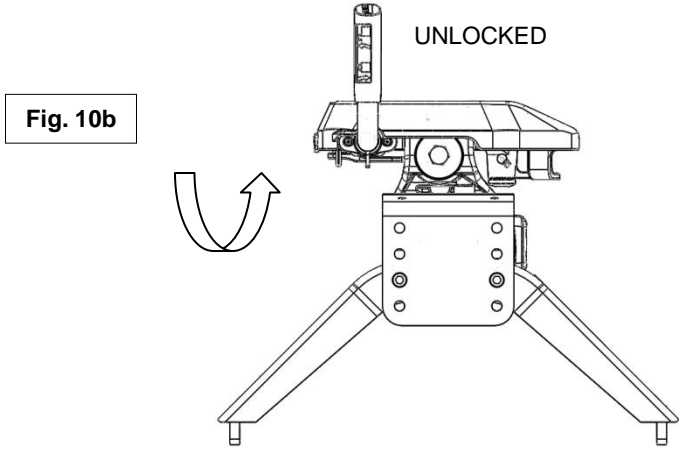
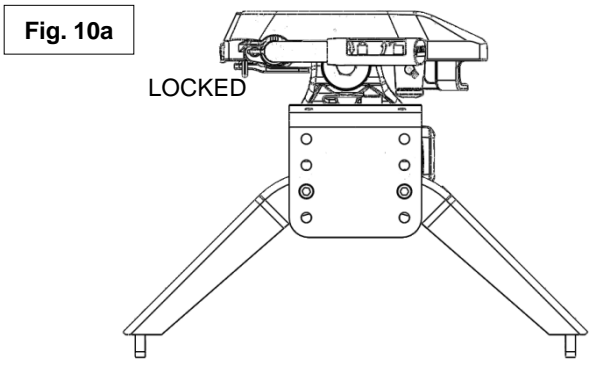
1. Place blocks (sometimes called “chocks”) firmly against front and rear of each trailer wheel to prevent any possible forward or rearward motion. DO NOT REMOVE BLOCKS UNTIL EACH OF THE FOLLOWING STEPS AND THE PULL TEST HAVE BEEN COMPLETED. Lower tailgate if necessary.
2. Using trailer jacks, adjust trailer height following the directions in the trailer manual so that bottom of trailer pin (“A” in Fig. 8) is ½ to 1 inch below skid plate (See “B” in Fig. 8). During the hitching maneuver, the bottom of the trailer pin box should come in contact with the skid plate ramp (“C” in Fig. 8).



⚠ WARNING:

Failure to follow this instruction may result in king pin being too high and coming to rest on top of closed jaws or not completely inside jaws. (See Fig. 9). This could result in trailer separating from hitch. Trailer separation may result in death or serious injury if anyone is under the trailer or between truck and trailer when separation occurs.

3. Rotate hitch handle from locked position (see Fig. 10a) up to the unlocked position (See Fig 10b). This will unlock the jaw system. NOTE: Hitch jaws will not open and proper hitching cannot occur if handle is not pointed up.



4. With handle in the unlocked position (See Fig. 11), back truck slowly into trailer. As the trailer king pin enters the hitch it will push the hitch jaws open and extend the handle (See Fig. 12). As king pin completely enters head, jaws will spring closed around king pin and the jaws will return to the closed position and king pin indicator will extend out from the head assembly (See Fig. 13).

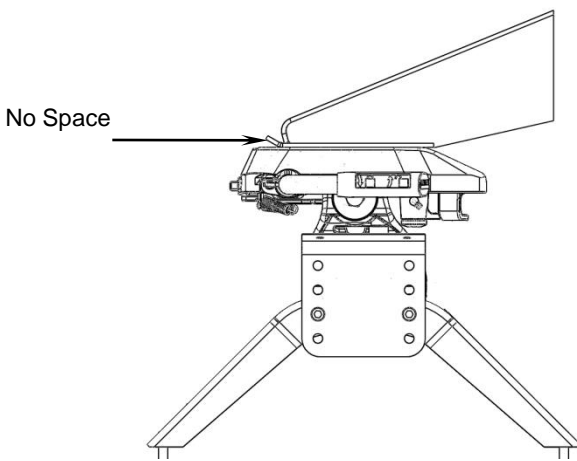
5. After king pin is latched rotate handle down to ensure jaws are locked around king pin (See Fig. 14).

6. Use only the method described above for hitching.

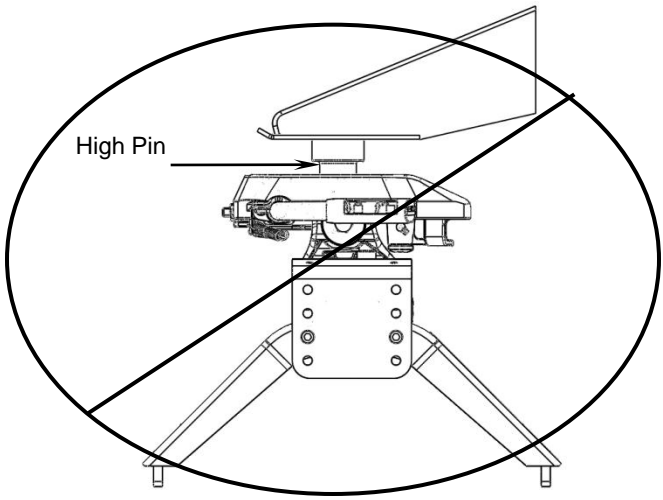
⚠ WARNING:

Do not attempt to hitch by using trailer jacks to lower trailer and king pin. This could result in king pin coming to rest on top of skid plate instead of within hitch opening where jaws are located. King pin could slide off hitch and trailer could drop, resulting in death or serious injury.

7. With all trailer wheels still firmly blocked, landing gear still resting on firm ground and supporting trailer weight, and truck stationary and in park with the emergency brake on: visually check that bottom of pin box is resting on top of the hitch. **THERE SHOULD BE NO SPACE BETWEEN THESE SURFACES** (See Fig 15). If space exists, (See Fig 16) trailer has not been properly hitched. **DO NOT TOW!** Instead, repeat above steps until trailer is properly hitched. **DO NOT PLACE BODY UNDER TRAILER TO PERFORM THIS INSPECTION!**



**Fig. 15
CORRECT**



**Fig. 16
WRONG**

8. To ensure that the jaws are locked and closed, the handle must be rotated in the down position (See Fig 17a). IF HANDLE DOES NOT ROTATE DOWN, THE TRAILER HAS NOT BEEN PROPERLY CONNECTED TO HITCH. **DO NOT TOW!** Repeat above steps until trailer is properly hitched. (See Fig 17b)

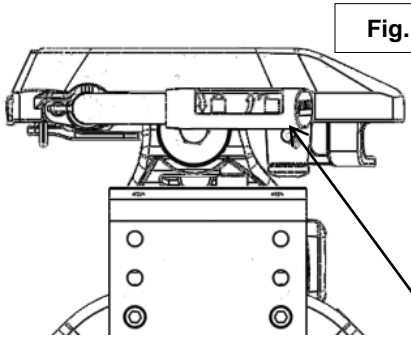


Fig. 17a

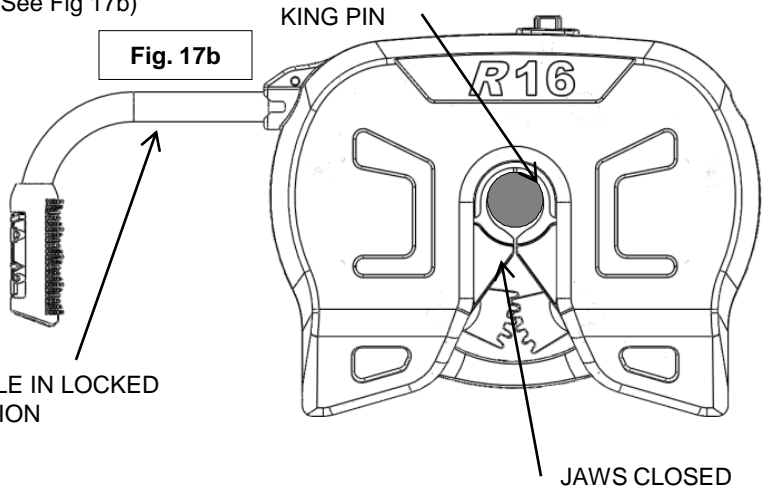


Fig. 17b

9. With:
- All trailer wheels still firmly blocked in front and behind each tire, and
 - Truck stationary with the emergency brake on, and
 - Trailer landing gear still resting on firm ground and supporting trailer weight, and
 - Truck stationary and with emergency brake on:

10. Connect electrical cable between truck and trailer, connect breakaway switch cable from pin box to a permanent part of truck, and raise tailgate of truck.

⚠ WARNING

•WHENEVER POSSIBLE, AVOID PUTTING BODY UNDER TRAILAER OR BETWEEN TRUCK AND TRAILER.

•If you need to place any part of your body under trailer or between truck and trailer:

- All trailer tires **MUST** be blocked in front and behind each tire **AND**
- Trailer landing gear **MUST** be resting on firm ground **AND**
- Truck **MUST** be stationary, in park, with emergency brake on!

PULL TEST

⚠ WARNING:

Failure to perform this test may result in death or serious injury!

1. With :
 - All trailer wheels still firmly blocked, and
 - Trailer landing gear still resting on firm ground and supporting trailer weight, and
 - Truck stationary and with the emergency brake on:
 - Return to cab of truck and release truck's emergency brake. Apply trailer brakes. After making sure no one is between truck and trailer, try to pull trailer slowly forward with the truck. If the trailer is properly hitched, the wheel blocks and trailer brakes should keep the truck from moving forward.

NOTE: If trailer is not properly hitched, trailer will separate from hitch and truck will move forward leaving trailer behind. If the trailer landing gear is still resting on firm ground supporting the trailer weight and wheel blocked, trailer will not be able to drop or fall.

⚠ WARNING:

Failure to keep wheels blocked and landing gear down could result in trailer suddenly moving or falling. This could result in death or serious injury!

2. After successfully performing above steps, fully raise trailer landing gear (see trailer manual).
3. Check and inspect all electrical circuits for proper operation. (Clearance lights, turn signals, stop lights, etc.).
4. Remove and store all trailer wheel blocks.

UNHITCHING PROCEDURE:

PERFORM THE FOLLOWING IN THIS ORDER:

1. Place blocks firmly against front and rear of each trailer wheel to prevent any possible forward or rearward motion.
2. Using trailer jacks, lower trailer landing gear following the directions in the Trailer Manual until feet of landing gear are resting on firm ground.
3. Make sure truck is in park with the emergency brake on.

⚠ WARNING:

Trailers that are not stable or properly hitched can fall and kill you! To avoid death or serious injury:

- All trailer tires **MUST** be blocked in front and behind each tire **AND**
- Trailer landing gear **MUST** be resting on firm ground **AND**
- Truck **MUST** be stationary, in park, with emergency brake on!

4. Lower truck tail gate.
5. Disconnect power cable and breakaway switch cable between truck and trailer.
6. Rotate hitch handle up to the unlocked position (See Fig 18) and pull the handle towards you so that the king pin is no longer securely grasped by hitch jaws (See Fig 19). Trailer is now free from hitch and truck. If handle does not pull out, there is probably pressure against the jaws. To relieve this pressure, back the truck slightly. Reset truck emergency brake. Then pull hitch handle out completely.

Fig. 18

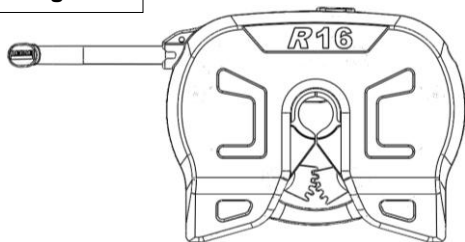
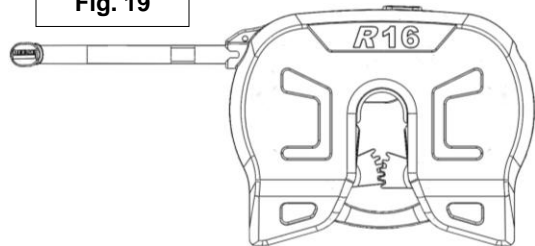


Fig. 19



7. AFTER MAKING CERTAIN NO ONE IS STANDING BETWEEN TRUCK AND TRAILER OR IN FRONT OF TRUCK, drive truck slowly away from trailer.

WARNING

Whenever possible, avoid putting body under trailer or between truck and trailer. If you need to place any part of your body under trailer or between truck and trailer:

- All trailer tires **MUST** be blocked in front and behind each tire **AND**
- Trailer landing gear **MUST** be resting on firm ground **AND**
- Truck **MUST** be stationary, in park, with emergency brake on!

8. Close hitch jaws by pushing handle forward and rotating down.
9. KEEP WHEEL BLOCKS IN PLACE. This will keep trailer from moving unexpectedly

MAINTENANCE:

1. Recheck tightness of all hardware every 1000 miles of use.
2. See "Before each trip" section in this manual.

LIMITED LIFETIME WARRANTY

REESE warrants its 5th Wheels from date of purchase against defects in material and workmanship under normal use and service, ordinary wear and tear excepted, for limited lifetime of ownership to the original consumer purchaser when a REESE mounting kit is used.

Products used by professional hauler's are subject to REESE PRODUCTS' limited One (1) year warranty.

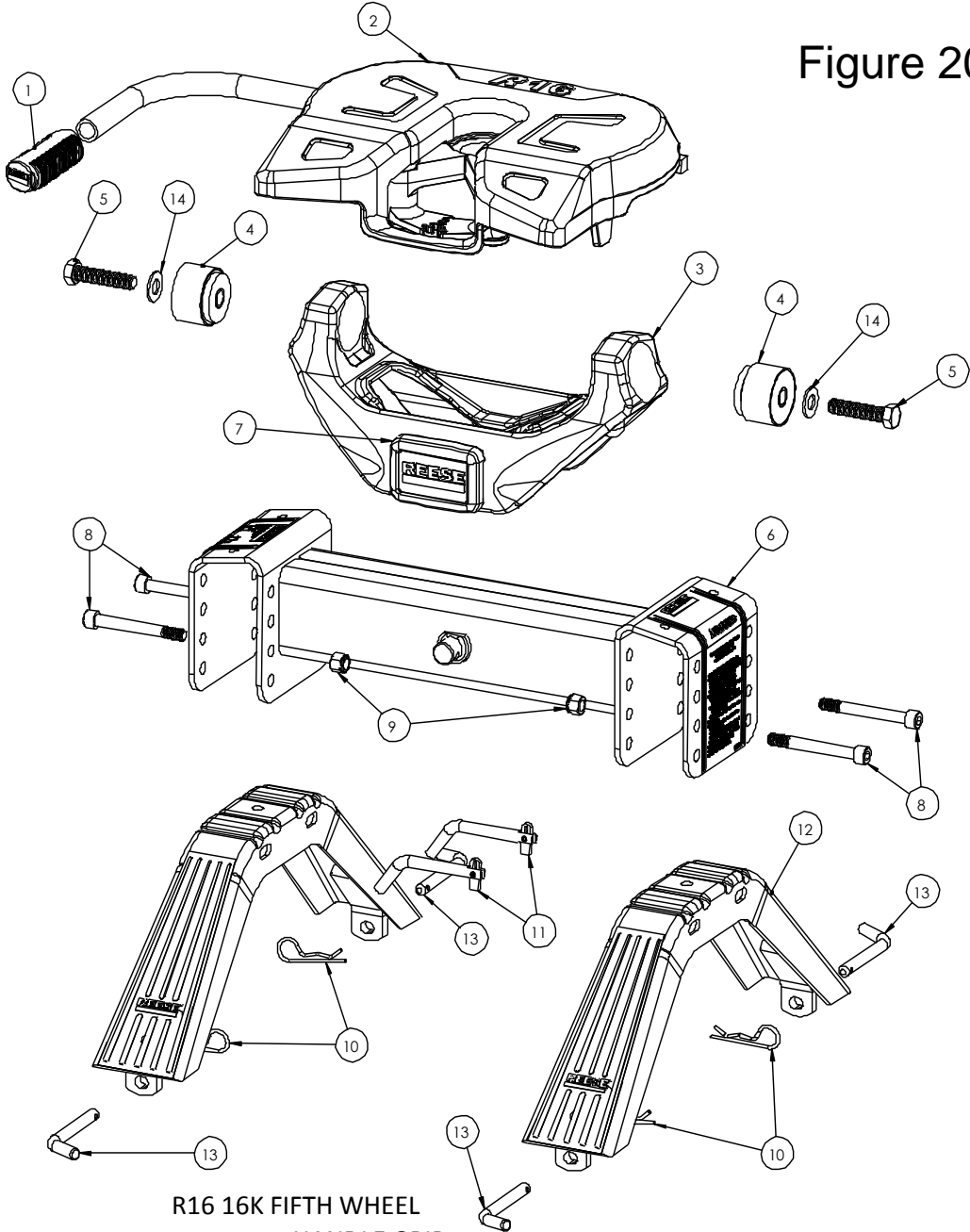
REESE will replace FREE OF CHARGE any part which proves defective in material or workmanship when presented to any REESE dealer (consult local telephone directory) or REESE warehouse, or when returned to the factory, TRANSPORTATION CHARGES PREPAID, at the address below. THIS WARRANTY IS LIMITED TO DEFECTIVE PARTS REPLACEMENT ONLY. LABOR CHARGES AND/OR DAMAGE INCURRED IN INSTALLATION OR REPLACEMENT AS WELL AS INCIDENTAL AND CONSEQUENTIAL DAMAGES CONNECTED THEREWITH ARE EXCLUDED.

Some states do not allow the exclusion or limitation of incidental or consequential damages, so the above limitation or exclusion may not apply to you.

Any damage to the 5th Wheel as a result of misuse, abuse, neglect, accident, improper installation, or any use violative of the instruction furnished by us WILL VOID THE WARRANTY.

This warranty gives you specific legal rights, and you may also have other rights which vary from state to state. In the event of a problem with warranty service or performance, you may be able to go to a small claims court, a state court, or a federal district court.

Figure 20



R16 16K FIFTH WHEEL

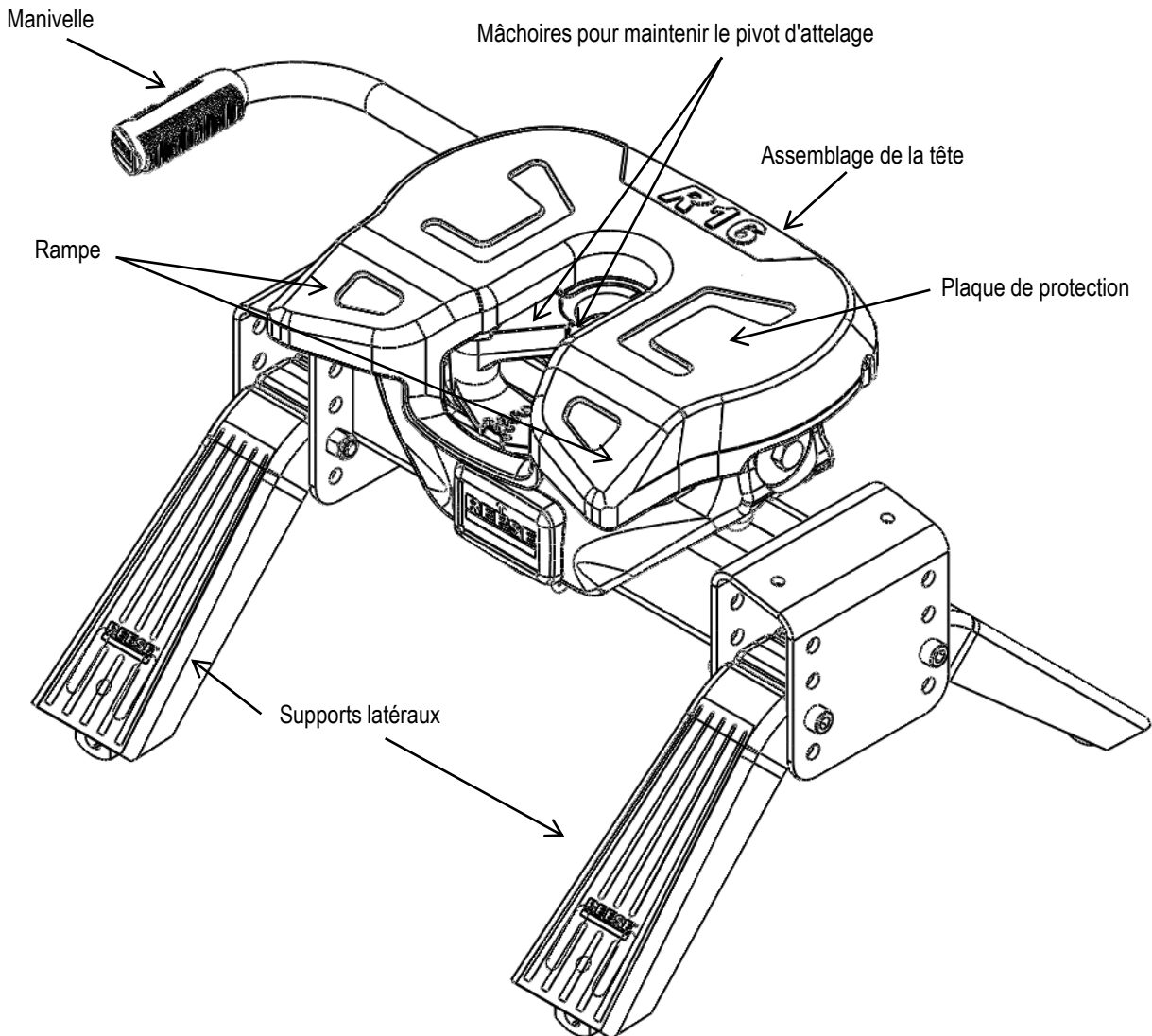
		PCS.
1	HANDLE GRIP	(1)
2	HEAD PAN ASSY.	(1)
3	PIVOT BEAM	(1)
4	ISOLATORS	(2)
5	5/8"-11 X 2.5 HEX BOLT	(2)
6	CROSS MEMBER	(1)
7	LOGO PLATE	(1)
8	1/2" - 13 X 4.5 SOCKET HEAD BOLT	(4)
9	1/2" LOCK NUT	(4)
10	SPRING CLIP	(6)
11	PULL PIN	(2)
12	SIDE BRACKETS	(2)
13	PULL PIN	(4)
14	5/8" FLAT WASHER	(2)

CONCESSIONNAIRE/INSTALLATEUR :

- (1) Remettre ce manuel à l'utilisateur final.
- (2) Démontez physiquement à l'utilisateur les procédures d'attelage et de dételage décrites dans ce manuel.
- (3) Demander à l'utilisateur final de démontrer sa compréhension des procédures.

UTILISATEUR FINAL :

- (1) Lire et observer les instructions de ce manuel à chaque utilisation de l'attelage.
- (2) Conserver ce manuel pour consultation ultérieure.
- (3) Remettre des copies du manuel à tout autre utilisateur ou propriétaire de l'attelage.



⚠ AVERTISSEMENT :

L'omission d'observer ces instructions peut causer des blessures sévères, voire la mort.

SOMMAIRE

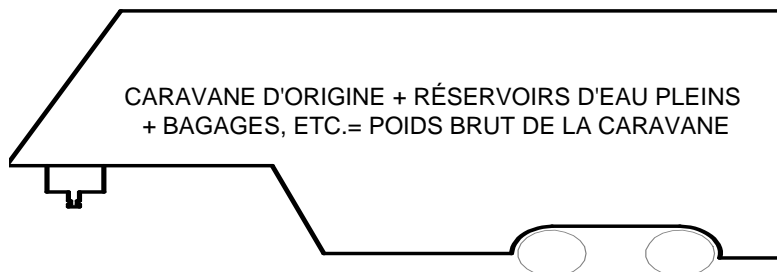
1. DIRECTIVES CONCERNANT LE JUMELAGE DU VÉHICULE ET DE LA CARAVANE	P. 2
2. INSTRUCTIONS DE MONTAGE	P. 4
3. AVANT CHAQUE DÉPLACEMENT	P. 5
4. PROCÉDURE D'ATTELAGE	P. 5
5. TEST DE TRACTION	P. 8
6. PROCÉDURE DE DÉTELAGE	P. 8
7. MAINTENANCE	P. 9
8. GARANTIE LIMITÉE DE CINQ ANS REESE	P. 9

DIRECTIVES CONCERNANT LE JUMELAGE DU VÉHICULE ET DE LA CARAVANE

⚠ AVERTISSEMENT :

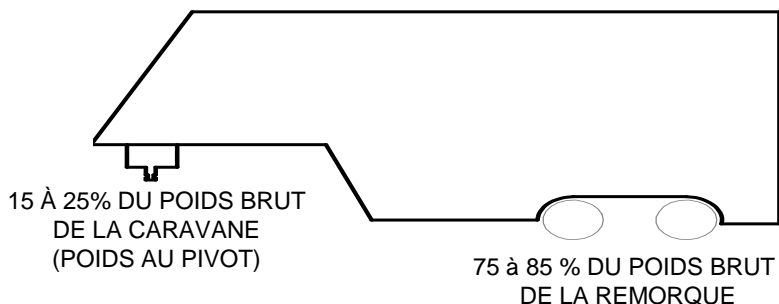
- Le poids de la caravane et de son contenu ne doit pas dépasser les capacités de charge du véhicule, de l'attelage et/ou de la caravane.
- La capacité de charge du véhicule spécifiée par le fabricant doit être égale ou supérieure au poids brut de la caravane (poids à vide de la caravane plus sa charge utile). (Voir la Fig. 1)
- Le poids brut de la caravane ne doit pas dépasser 16 000 livres (11 340 kg).
- Le poids du pivot d'attelage ne doit pas excéder 4 000 livres (1 701 kg) (voir Fig. 2). En cas de doute, faire peser le pivot d'attelage par une entreprise spécialisée.

Fig. 1



1. Les attelages Reese sont conçus pour une utilisation avec caravanes à sellette à vocation récréative seulement. Les applications d'attelage autres que celles prévues pour les caravanes à sellette à vocation récréative doivent être approuvées par écrit par le service d'ingénierie de Reese.
2. Utiliser seulement un pivot d'attelage SAE de 2 pouces avec cet attelage à sellette Reese.
3. Environ 15 % à 25 % du poids de la remorque doit s'exercer sur l'attelage (poids au pivot). Voir la Fig. 2

Fig. 2

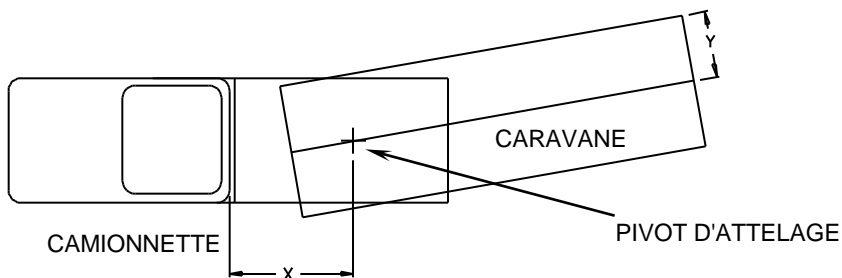


POIDS BRUT DE LA CARAVANE

4. Les camionnettes sont fabriquées selon des configurations variées. Les attelages Reese sont conçus pour des camionnettes légères, telles que les modèles Ford F-Series, Chevy Silverado et Dodge Ram. Reese recommande cet attelage pour une utilisation avec des camionnettes légères à plate-forme longue (8 pi) afin d'obtenir le meilleur dégagement camionnette-caravane dans les braquages.

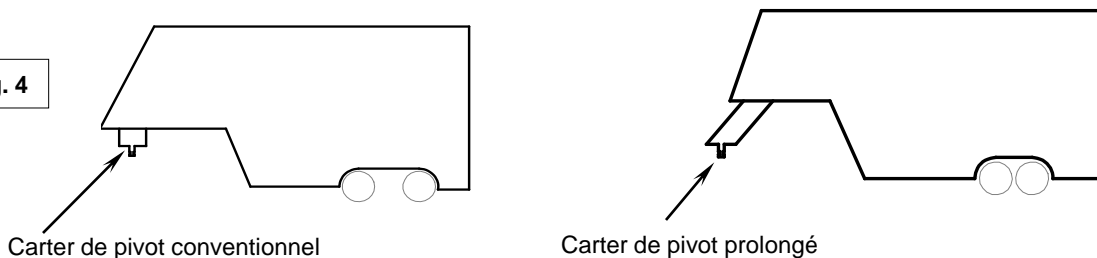
Méthode empirique : La distance entre l'arrière de la cabine de la camionnette et le centre de l'essieu arrière du camionnette ("X" à la Fig. 3), doit être supérieure d'environ 4 pouces à la demi-largeur de la caravane ("Y" à la Fig.3).

Fig. 3



5. Si une camionnette à plate-forme courte (inférieure à 8 pi mais supérieure à 6 pi) doit être utilisée pour le remorquage, Reese recommande d'équiper la caravane d'un carter de pivot avancé afin d'augmenter le dégagement camionnette-caravane nécessaire dans les braquages (voir le fabricant de la caravane pour les options) (voir Fig. 4). L'ajout d'un dispositif Reese Kwik-Slide (**pièce no 30048**) peut s'avérer utile pour augmenter le dégagement de braquage dans les manoeuvres à basse vitesse hors des voies rapides.

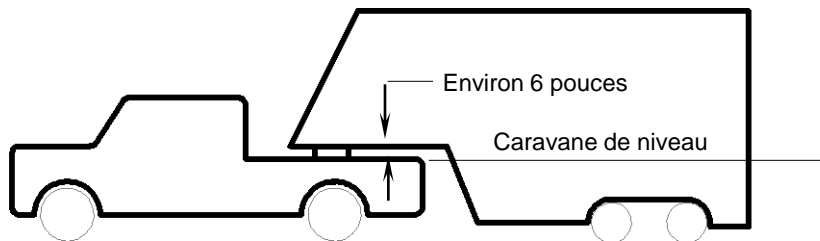
Fig. 4



⚠ AVERTISSEMENT :
NE PAS installer cet attelage à sellette (ni tenter de remorquer avec celle-ci) sur une camionnette à plate-forme courte de moins de 6 pieds !

6. La hauteur de l'attelage et du carter de pivot doit être ajustée de façon que la caravane soit à peu près de niveau lors du remorquage. Laisser environ 6 pouces de dégagement entre le dessus des parois de la camionnette et le dessous de l'avant de la caravane pour tenir compte de la pente et du roulis de la caravane. (Voir la Fig. 5) Laisser encore plus de dégagement entre les parois de la camionnette et de la caravane dans le cas d'utilisations hors route.

Fig. 5



⚠ AVERTISSEMENT :

NE PAS utiliser cet attelage pour remorquer une caravane dont le carter de pivot peut toucher ou gêner le verrou de la manivelle d'attelage lors d'un virage ! (Voir la Fig. 6) La caravane risque de se détacher si le carter de pivot touche à la manivelle de l'attelage ou à son verrou lors d'un virage.

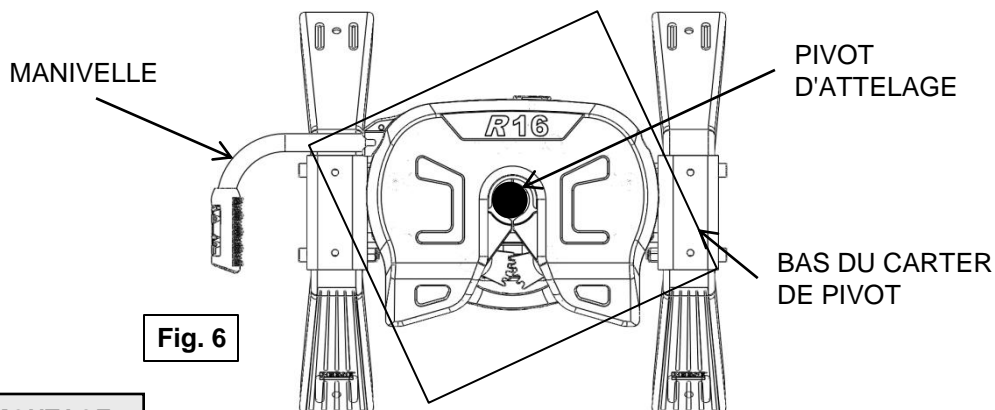


Fig. 6

INSTRUCTIONS DE MONTAGE

⚠ AVERTISSEMENT :

- Les connexions pour le câblage de remorque doivent se trouver sur le côté de la plate-forme de la camionnette entre le siège du conducteur et le passage de roue à l'essieu arrière.
- La réalisation de connexions à l'arrière du passage de roue peut obliger l'utilisateur à se placer entre la camionnette et la caravane. **LORSQUE POSSIBLE, ÉVITER DE PLACER LE CORPS SOUS LA CARAVANE OU ENTRE CELLE-CI ET LA CAMIONNETTE!**
- Si l'on doit placer une partie quelconque du corps sous la caravane ou entre celle-ci et la camionnette :
 - toutes les roues de caravane **DOIVENT** être bloquées à l'avant et l'arrière de chaque pneu, **ET** ;
 - la béquille de caravane **DOIT** reposer sur un sol ferme, **ET** ;
 - la camionnette **DOIT** être immobile à la position de stationnement, frein à main actionné !

1. Se reporter à la Fig. 20 de la dernière page. Les numéros entre parenthèses correspondent aux pièces de la Fig. 20.
2. La sellette R16 est emballée dans deux boîtes. Les déballer et se familiariser avec les pièces énumérées sur la liste. Les traverses, les supports et la visserie sont livrés dans des ensembles séparés (no pièces 30035, ou 30095 ou 30153), avec des instructions d'installation séparées pour le nécessaire de montage des traverses de sellette.
3. Placer deux traverses de montage en travers de la plateforme de la camionnette (voir Fig. 7). Sélectionner un support latéral et placer les languettes dans la fente rectangulaire médiane des traverses. Glisser les chevilles longues dans les trous des traverses, depuis l'intérieur vers l'extérieur comme illustré, de façon que les goupilles fendues se trouvent sur l'extérieur des traverses. Répéter pour l'autre support latéral. Verrouiller les chevilles à l'aide des goupilles de retenue à ressort.

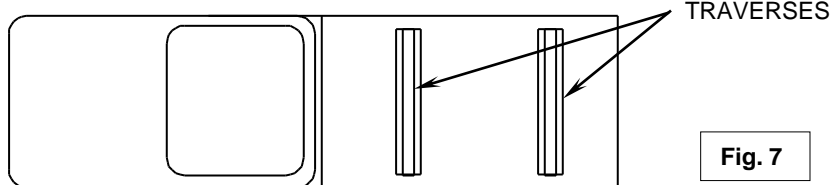


Fig. 7

4. Sélectionnez Croix membre (6) et installer sur la jambe alignant pour attelage de hauteur désirée. (Position la plus basse 14 « 18 plus élevé »). Installer quatre ½-13x4.5 "tête de Socket boulons (8), avec la tête vers l'extérieur, comme le montre et ECROUS (9).
5. Serrer tous les écrous ½ po au couple de 75 lb-pi.
6. Poser les traverses et les supports de montage tel que décrit dans les « Instructions d'installation pour nécessaire de montage de traverse de sellette ».

⚠ AVERTISSEMENT

Les traverses doivent être boulonnées à travers le plancher de la camionnette sur les supports qui se fixent au cadre de la camionnette. NE PAS FIXER UNIQUEMENT AU PLANCHER. Le plancher seul n'est pas assez robuste pour supporter les charges exercées par la caravane.

AVANT CHAQUE DÉPLACEMENT :

1. Lubrifier la plaque de protection de l'attelage (voir l'illustration sur la couverture du manuel) à l'aide d'une graisse pour châssis de véhicule ou appliquer une plaque lubrifiante en plastique.
2. Les plaques lubrifiantes (Reese no 83002) permettent d'éviter les souillures de graisse. L'épaisseur de la plaque lubrifiante ne doit pas excéder 3/16 de pouce pour assurer le bon fonctionnement de l'attelage. Le diamètre de la plaque lubrifiante doit être égal ou supérieur à 10 pouces afin de répartir correctement le poids du pivot d'attelage.
3. Avant chaque déplacement ou manoeuvre, actionner la manivelle et vérifier que les mâchoires s'ouvrent et se ferment librement.
4. Veiller à ce que toutes les chevilles d'attelage (no 11 de la Fig. 20) soient en place et que les goupilles de retenue à ressort (no 10 de la Fig. 20) soient posées.

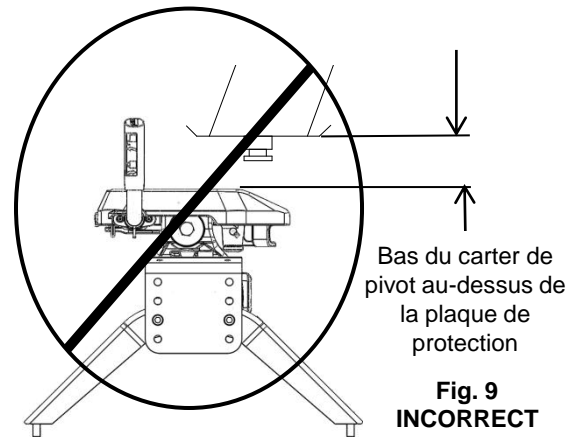
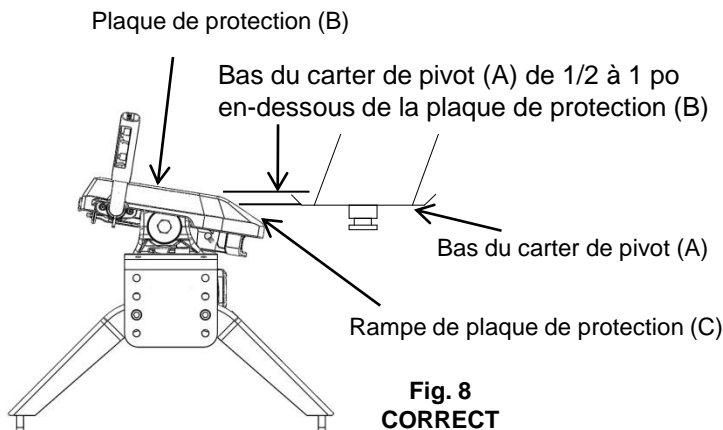
PROCÉDURE D'ATTELAGE :

IMPORTANT : VOUS ÊTES RESPONSABLE DE LA SÉCURITÉ DES MANOEUVRES D'ATTELAGE ET DE DÉTELAGE. NE VOUS FIEZ PAS AUX AUTRES POUR VOUS ACQUITTER DE VOTRE OBLIGATION. VOUS DEVEZ PERSONNELLEMENT VOUS ASSURER QUE LES ÉTAPES SUIVANTES SONT EFFECTUÉES DANS L'ORDRE INDIQUÉ !

⚠ AVERTISSEMENT :

L'OMISSION D'OBSERVER CES INSTRUCTIONS PEUT CAUSER DES BLESSURES SÉVÈRES, VOIRE LA MORT.

1. Placer les cales (parfois nommées "blocs") fermement contre l'avant et l'arrière de chaque roue de la caravane afin de prévenir tout mouvement avant ou arrière. ATTENDRE QUE CHACUNE DES ÉTAPES SUIVANTES ET LE TEST DE TRACTION SOIENT TERMINÉS AVANT DE RETIRER LES CALES. Abaisser le hayon si nécessaire.
2. À l'aide des vérins de caravane, ajuster la hauteur de la caravane (en suivant les directives dans le manuel de la caravane) de façon que le bas du carter de pivot ("A" de la Fig. 8) se situe de 1/2 à 1 pouce sous la plaque de protection (voir "B" de la Fig. 8). Durant la manoeuvre d'attelage, le bas du carter de pivot doit toucher la rampe de la plaque de protection ("C" de la Fig. 8).



⚠ AVERTISSEMENT :

L'omission de suivre cette instruction peut entraîner la hauteur excessive du pivot d'attelage et son appui sur le dessus des mâchoires en position fermée ou son insertion insuffisante à l'intérieur des mâchoires. (Voir la Fig. 9). La caravane risque alors de se détacher de l'attelage. Le dételage de la caravane peut causer des blessures sérieuses, voire la mort, si une personne se trouve sous la caravane ou entre celle-ci et la camionnette au même moment.

3. Tourner la manivelle d'attelage de la position verrouillée (voir la Fig. 10a) vers le haut à la position déverrouillée (Voir la Fig. 10b). Cette manoeuvre déverrouillera les mâchoires. REMARQUE : La manivelle doit pointer vers le haut, sinon les mâchoires ne s'ouvriront pas et l'attelage approprié ne pourra avoir lieu.

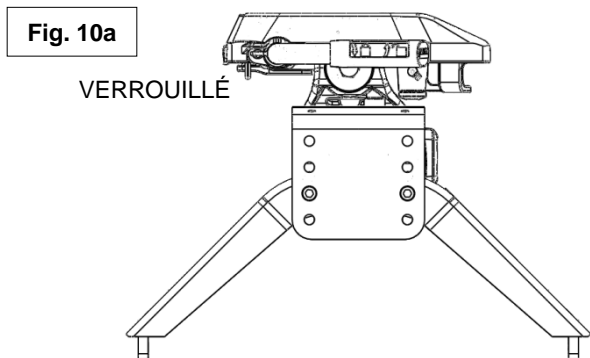


Fig. 10b

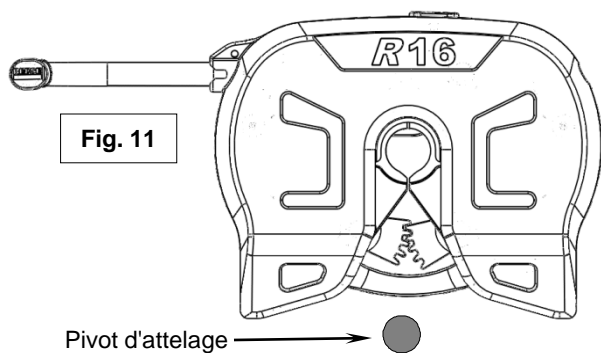
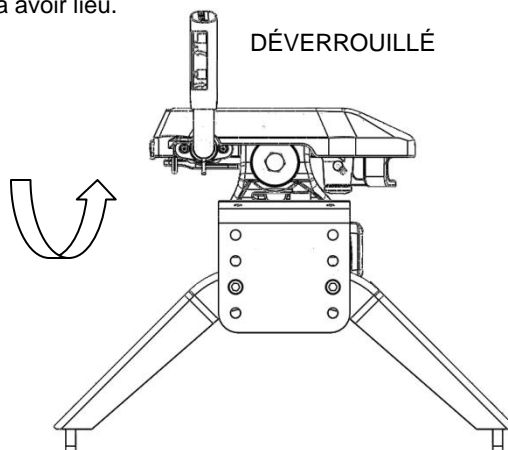


Fig. 11

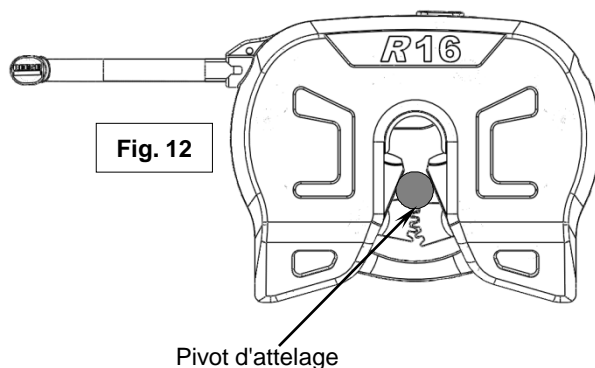


Fig. 12

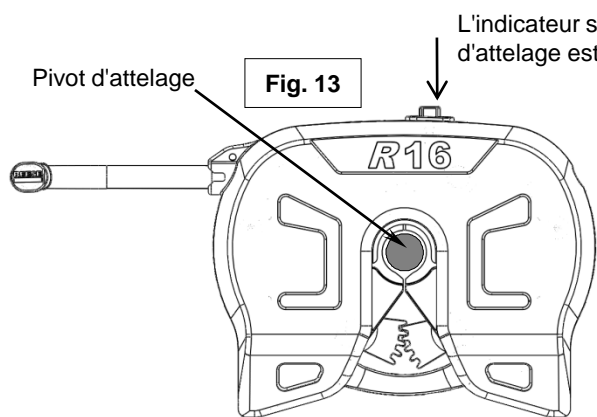
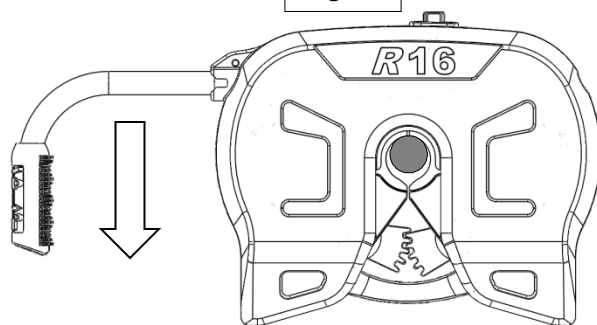


Fig. 13

Fig. 14



4. Avec la manivelle en position déverrouillée (voir la Fig. 11), reculer la camionnette lentement vers la caravane. À mesure que le pivot d'attelage de la caravane pénètre dans l'attelage, il ouvre les mâchoires et allonge la manivelle (voir la Fig. 12). Lorsque le pivot d'attelage est engagé à fond dans la tête, les mâchoires se ferment autour du pivot, retournent à la position fermée, et l'indicateur du pivot dépasse de la tête (voir la Fig. 13).

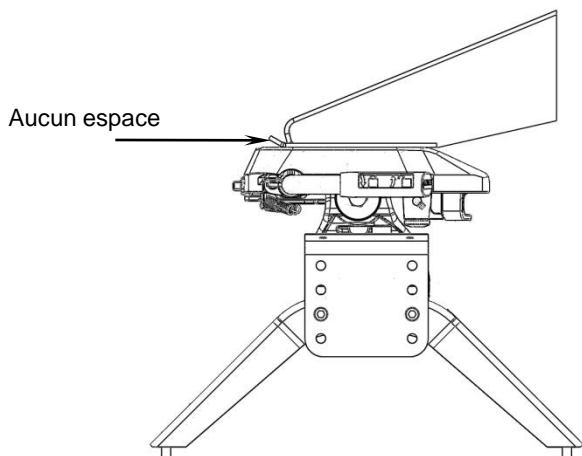
5. Une fois le pivot d'attelage engagé, tourner la manivelle vers le bas pour que les mâchoires se verrouillent autour du pivot (voir la Fig. 14).

UTILISER UNIQUEMENT LA MÉTHODE DÉCRITE CI-DESSUS POUR EFFECTUER L'ATELAGE.

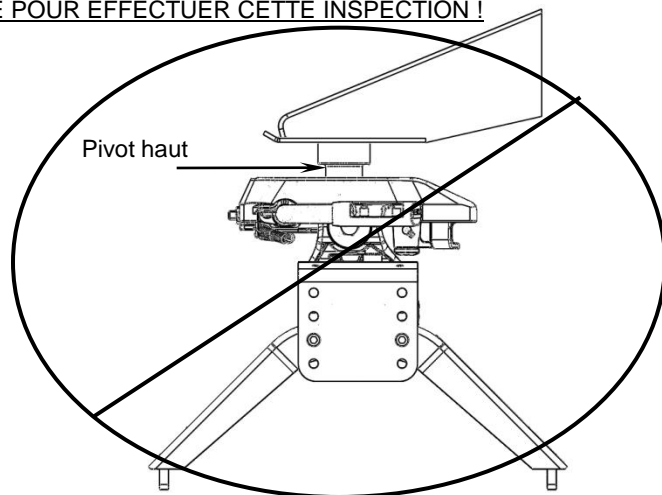
⚠ AVERTISSEMENT :

Ne pas tenter d'effectuer l'attelage en utilisant les vérins de la caravane pour abaisser celle-ci et le pivot d'attelage. Le pivot d'attelage risquerait de s'appuyer sur le dessus de la plaque de protection plutôt que dans l'ouverture de l'attelage où les mâchoires sont situées. Le pivot pourrait glisser hors de l'attelage et faire tomber la caravane, d'où un risque de blessures ou de décès.

7. En s'assurant que toutes les mesures de sécurité sont toujours appliquées (roues de la caravane solidement bloquées, béquille reposant sur une surface solide capable de supporter le poids de la caravane, camionnette stationnée avec freins d'urgence appliqués), vérifier visuellement que le bas du carter de pivot s'appuie sur le dessus de l'attelage. **AUCUN ESPACE NE DOIT APPARAÎTRE ENTRE CES SURFACES** (voir Fig. 15). La présence d'un espace (voir Fig. 16) indique que la caravane n'a pas été attelée correctement. **NE PAS REMORQUER !** À la place, répéter les étapes ci-dessus jusqu'à l'attelage adéquat de la caravane. **NE PAS PLACER LE CORPS SOUS LA CARAVANE POUR EFFECTUER CETTE INSPECTION !**

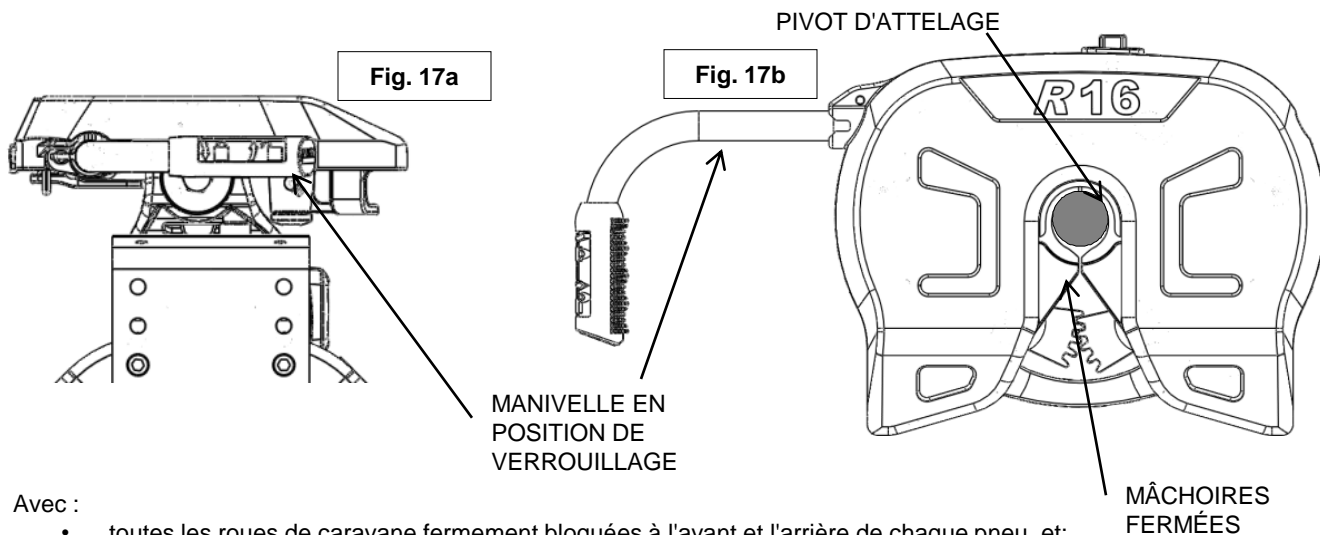


**Fig. 15
CORRECT**



**Fig. 16
INCORRECT**

8. Pour s'assurer que les mâchoires sont verrouillées et fermées, la poignée doit tourner sur la position vers le bas (voir fig. 17 a). **SI LA MANIVELLE NE TOURNE PAS VERS LE BAS, LA CARAVANE N'A PAS ÉTÉ CORRECTEMENT ATTELÉE. NE PAS REMORQUER !** Répéter les étapes ci-dessus jusqu'à réaliser l'attelage adéquat de la caravane. (Voir la Fig. 17b)



9. Avec :
- toutes les roues de caravane fermement bloquées à l'avant et l'arrière de chaque pneu, et;
 - la camionnette en position de stationnement avec frein à main actionné, et;
 - les béquilles de caravane appuyées solidement contre le sol et supportant le poids de la caravane, et ;
 - la camionnette en position de stationnement avec frein à main actionné :
10. Connecter le câble électrique entre la camionnette et la caravane, connecter le câble de l'interrupteur de dérivation depuis le carter de pivot jusqu'à une partie permanente du camion, puis relever le hayon de la camionnette.

⚠ AVERTISSEMENT

• LORSQUE POSSIBLE, ÉVITER DE PLACER LE CORPS SOUS LA CARAVANE OU ENTRE CELLE-CI ET LA CAMIONNETTE.

- Si l'on doit placer une partie quelconque du corps sous la caravane ou entre celle-ci et la camionnette :
 - toutes les roues de caravane **DOIVENT** être bloquées à l'avant et l'arrière de chaque pneu, **ET** ;
 - la béquille de caravane **DOIT** reposer sur un sol ferme, **ET** ;
 - la camionnette **DOIT** être immobile à la position de stationnement, frein à main actionné !

⚠ AVERTISSEMENT :

L'omission d'effectuer cet essai peut causer des blessures sévères, voire la mort !

1. Avec :
 - toutes les roues de la caravane fermement bloquées, et;
 - les béquilles de caravane appuyées solidement contre le sol et supportant le poids de la caravane, et ;
 - la camionnette en position de stationnement avec frein à main actionné ;
 - Retourner dans la cabine de la camionnette et relâcher les freins d'urgence de la camionnette. Appliquer les freins de la caravane. En étant certain que personne ne se trouve entre la camionnette et la caravane, tenter de tirer lentement la caravane vers l'avant avec la camionnette. Si la caravane est correctement attelée, les roues vont se bloquer et les freins de la caravane vont empêcher la camionnette d'avancer.

REMARQUE : Si la caravane n'est pas adéquatement attelée, elle va se séparer de l'attelage et la camionnette avancera en laissant la caravane derrière. Si la béquille de la caravane repose encore solidement sur le sol pour supporter le poids de la caravane et que les roues sont bloquées, la caravane ne risque pas de tomber.

⚠ AVERTISSEMENT :

L'omission de garder les roues bloquées et la béquille abaissée peut entraîner un déplacement ou une chute subite de la caravane. Cela peut causer des blessures sévères, voire la mort !

2. Une fois les étapes ci-dessus réussies, remonter totalement la béquille de la caravane (voir le manuel de la caravane).
3. Inspecter les circuits électriques pour assurer leur bon fonctionnement (feux de gabarit, de direction, d'arrêt, etc.).
4. Retirer et ranger toutes les cales de blocage des roues de la caravane.

PROCÉDURE DE DÉTELAGE :**EFFECTUER LES ÉTAPES SUIVANTES DANS CET ORDRE :**

1. Placer les cales fermement contre l'avant et l'arrière de chaque roue de la caravane afin de prévenir tout mouvement avant ou arrière.
2. À l'aide des vérins de caravane, abaisser la béquille (suivre les instructions du manuel de la caravane) jusqu'à ce qu'elle repose solidement contre un sol ferme.
3. S'assurer que la camionnette est en position de stationnement avec frein à main actionné.

⚠ AVERTISSEMENT :

Les caravanes qui ne sont pas stables ou correctement attelées peuvent tomber et vous tuer ! Pour prévenir les blessures sévères ou la mort :

- toutes les roues de caravane DOIVENT être bloquées à l'avant et l'arrière de chaque pneu, **ET** ;
- la béquille de caravane DOIT reposer sur un sol ferme, **ET** ;
- la camionnette DOIT être immobile à la position de stationnement, frein à main actionné !

4. Abaisser le hayon de la camionnette.
5. Débrancher le câble d'alimentation électrique et celui de l'interrupteur de dérive entre la camionnette et la caravane.
6. Tourner la manivelle d'attelage vers le haut en position de déverrouillage (voir la Fig. 18) et tirer la manivelle vers soi de façon que le pivot d'attelage ne soit plus fermement agrippé par les mâchoires d'attelage (voir la Fig. 19). La caravane est maintenant libérée de l'attelage et de la camionnette. Si la manivelle ne sort pas, une pression s'exerce probablement sur les mâchoires. Pour relâcher cette pression, reculer la camionnette légèrement. Appliquer à nouveau le frein à main de la camionnette. Puis tirer sur la manivelle pour la sortir entièrement.

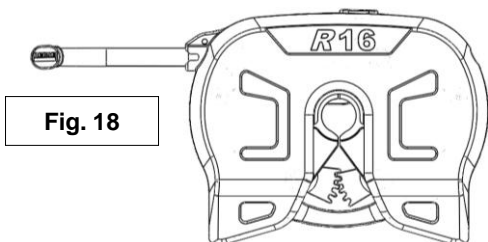


Fig. 18

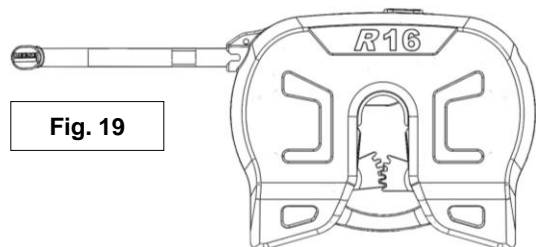


Fig. 19

- VÉRIFICATION FAITE QUE PERSONNE NE SE TROUVE À L'AVANT DE LA CAMIONNETTE, OU ENTRE CELLE-CI ET LA CARAVANE, conduire lentement pour l'éloigner la caravane.

AVERTISSEMENT

Lorsque c'est possible, éviter de placer le corps sous la caravane ou entre celle-ci et la camionnette. Si l'on doit placer une partie quelconque du corps sous la caravane ou entre celle-ci et la camionnette :

- toutes les roues de caravane DOIVENT être bloquées à l'avant et l'arrière de chaque pneu, **ET** ;
- la béquille de caravane DOIT reposer sur un sol ferme, **ET** ;
- la camionnette DOIT être immobile à la position de stationnement, frein à main actionné !

- Fermer les mâchoires d'attelage en poussant la manivelle vers l'avant puis en la tournant vers le bas.
- GARDER LES CALES DE ROUES EN PLACE. On préviendra ainsi tout déplacement imprévu de la caravane.

ENTRETIEN :

- Revérifier le serrage de toute la visserie à tous les 1000 milles (1610 km) d'utilisation.
- Voir la section "Avant chaque déplacement" dans ce manuel.

GARANTIE LIMITÉE DE CINQ ANS

REESE garantit ses attelages à sellette contre les vices de matériaux et de fabrication dans le cadre d'un usage et d'un entretien normaux, usure normale exceptée, et ce pendant une période de trois (5) ans à compter de la date d'achat du consommateur d'origine, et à condition qu'un nécessaire de montage de REESE soit utilisé.

Les produits utilisés par les transporteurs professionnels sont couverts par la garantie limitée de (1) an de REESE PRODUCTS.

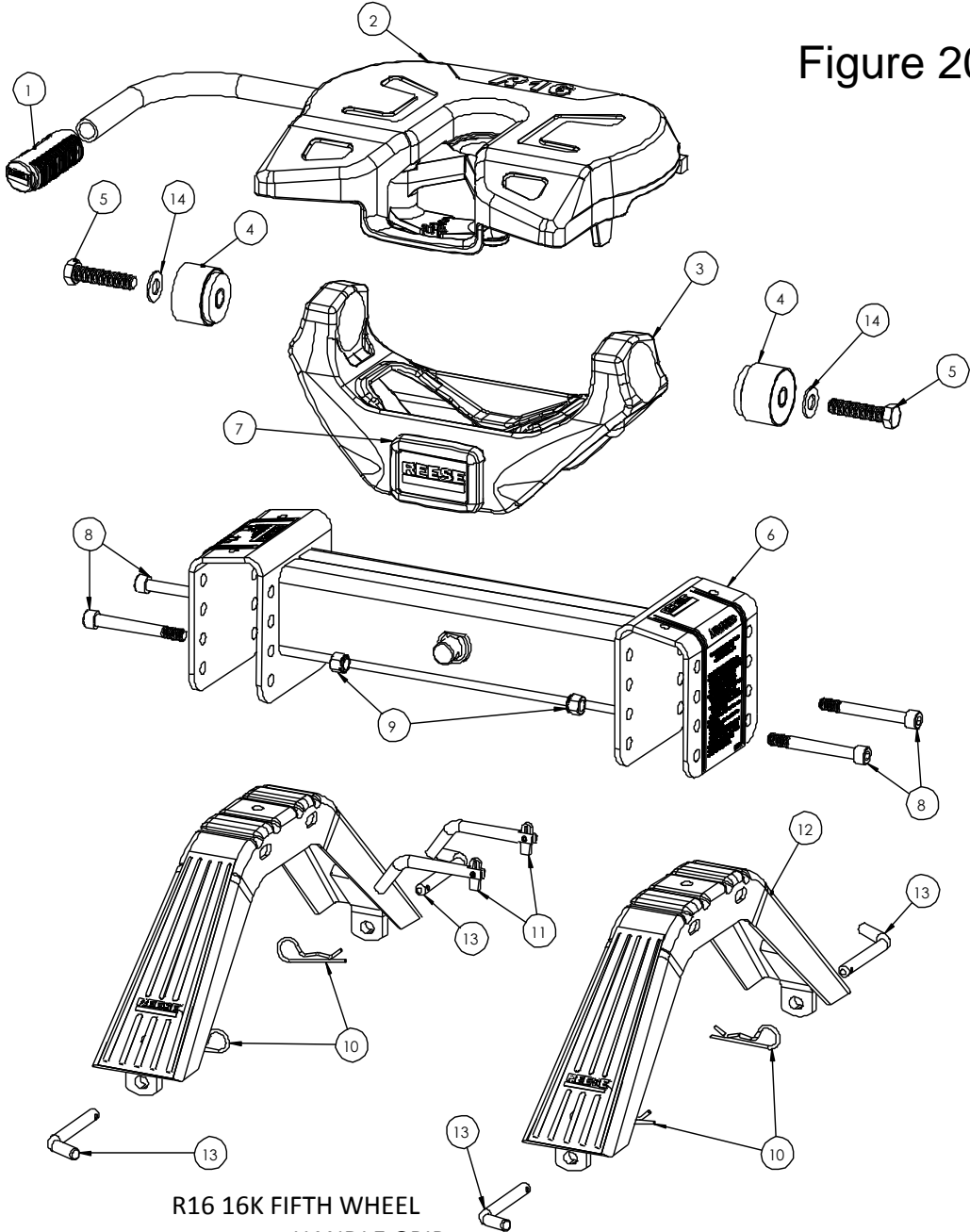
REESE remplacera SANS FRAIS toute pièce comportant un vice de matière ou de fabrication lorsque présentée à n'importe quel concessionnaire REESE (consulter le bottin téléphonique local) ou entrepôt REESE; ou encore lorsque retournée à l'usine, FRAIS DE TRANSPORT PRÉPAYÉ, à l'adresse ci-dessous. CETTE GARANTIE SE LIMITE AU REMPLACEMENT DES PIÈCES DÉFECTUEUSES SEULEMENT. ELLE NE COUVRE NI LES FRAIS DE MAIN-D'ŒUVRE, NI LES DOMMAGES SUBIS LORS DE L'INSTALLATION OU DU REMPLACEMENT, Y COMPRIS LES DOMMAGES ACCESSOIRES OU INDIRECTS.

Certains États ou provinces ne permettant pas d'exclure ou de restreindre les dommages accessoires ou indirects, il se peut que la restriction ou l'exclusion ci-dessus ne vous concerne pas.

Tout dommage à un attelage à sellette attribuable à une mauvaise utilisation, un usage abusif, la négligence, un accident, une installation inadéquate, ou à toute utilisation contraire aux instructions fournies par nous, ANNULERA LA GARANTIE.

Certains droits particuliers vous sont dévolus en vertu de la présente garantie et peuvent s'accompagner d'autres droits qui varient selon votre lieu de résidence. Dans l'éventualité d'un problème avec le service de la garantie ou le rendement du produit, il se peut que vous puissiez recourir à la cour des petites créances ou une autre cour de niveau provincial ou fédéral.

Figure 20



R16 16K FIFTH WHEEL

1	HANDLE GRIP	(1)
2	HEAD PAN ASSY.	(1)
3	PIVOT BEAM	(1)
4	ISOLATORS	(2)
5	5/8"-11 X 2.5 HEX BOLT	(2)
6	CROSS MEMBER	(1)
7	LOGO PLATE	(1)
8	1/2" - 13 X 4.5 SOCKET HEAD BOLT	(4)
9	1/2" LOCK NUT	(4)
10	SPRING CLIP	(6)
11	PULL PIN	(2)
12	SIDE BRACKETS	(2)
13	PULL PIN	(4)
14	5/8" FLAT WASHER	(2)

REESE

Puede llevarse consigo.

MANUAL DE INSTRUCCIONES R16 - Enganche de quinta rueda

N° de producto

30866

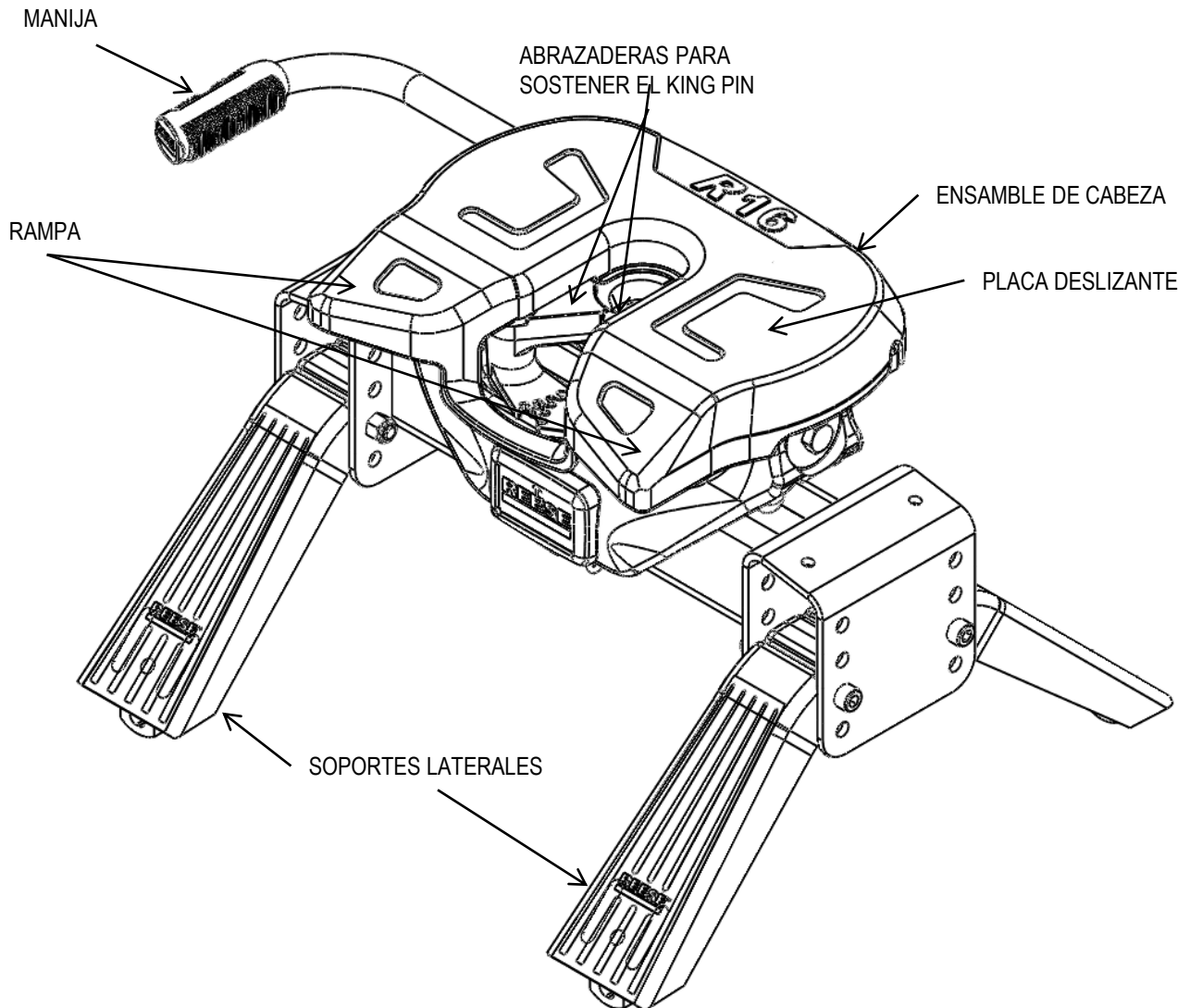
Plymouth MI

DISTRIBUIDOR / INSTALADOR:

- (1) Entregue este manual al usuario final.
- (2) Demuestre físicamente los procedimientos de enganche y desenganche en este manual al usuario final.
- (3) Pida al usuario final que le demuestre que él/ella entiende los procedimientos.

USUARIO FINAL:

- (1) Lea y siga este manual cada vez que utilice el enganche.
- (2) Guarde este manual para referencia futura.
- (3) Pase copias del manual a cualquier otro usuario o propietario del enganche.



⚠️ ADVERTENCIA:

¡No seguir estas instrucciones puede resultar en muerte o lesiones graves!

ÍNDICE

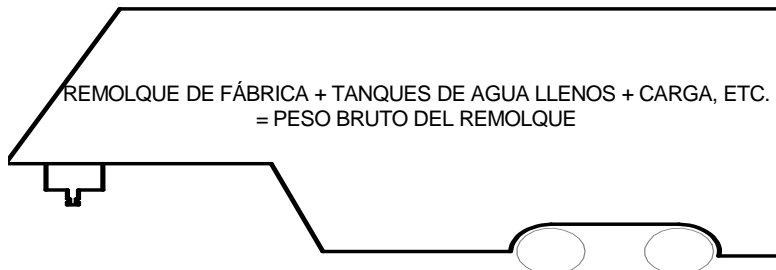
1. PAUTAS PARA AJUSTAR EL VEHÍCULO DE REMOLQUE Y EL REMOLQUE	P. 2
2. INSTRUCCIONES DE ENSAMBLE	P. 4
3. ANTES DE CADA VIAJE:	P. 5
4. PROCEDIMIENTO DE ENGANCHE	P. 5
5. PRUEBA DE HALAR	P. 8
6. PROCEDIMIENTO DE DESENGANCHE	P. 8
7. MANTENIMIENTO	P. 9
8. GARANTÍA LIMITADA DE CINCO AÑOS DE REESE	P. 9

PAUTAS PARA AJUSTAR EL VEHÍCULO DE ENGANCHE Y EL REMOLQUE

⚠️ ADVERTENCIA:

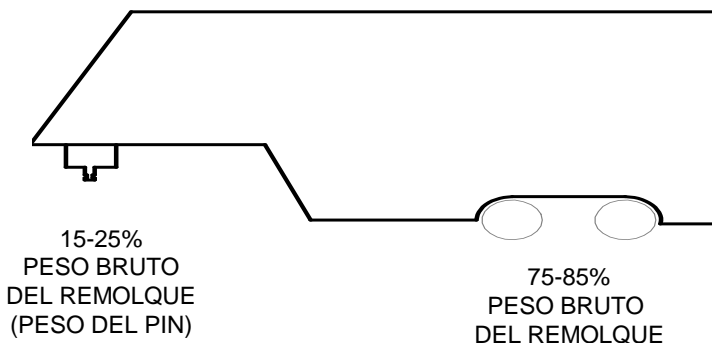
- El remolque y su contenido combinados no deben exceder las calificaciones del vehículo, enganche y/o remolque.
- El vehículo de remolque debe tener una capacidad de remolque establecida por el fabricante que sea igual o superior al peso bruto del remolque (peso seco del remolque más la carga útil del remolque). (Ver Fig. 1)
- El peso bruto del remolque no debe superar 16,000 libras.
- El peso del king pin no debe exceder 4.000 libras (Ver Fig. 2). Si tiene dudas haga que un técnico calificado pese el king pin.

Fig. 1



1. Los enganches Reese están diseñados para uso con remolques de recreación de quinta rueda únicamente. Las aplicaciones de enganche diferentes a los remolques de recreación con quinta rueda deben ser aprobadas por escrito por el departamento de Ingeniería de Reese.
2. Use únicamente un king pin SAE de 2 pulgadas con su Enganche de Quinta Rueda Reese.
3. Aproximadamente 15%-25% del peso del remolque debe estar en el enganche (peso del Pin). Ver Figura 2

Fig. 2

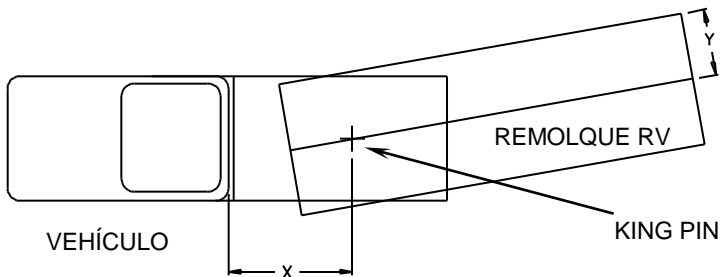


PESO BRUTO DEL REMOLQUE

4. Los vehículos vienen en muchas configuraciones diferentes. Los enganches Reese están diseñados para uso en vehículos livianos como la serie Ford F- el Chevy Silverado y el Dodge Ram. Reese recomienda el uso de vehículos ligeros con base larga (8 pies) para la mejor combinación para el despeje de giro de vehículo - remolque.

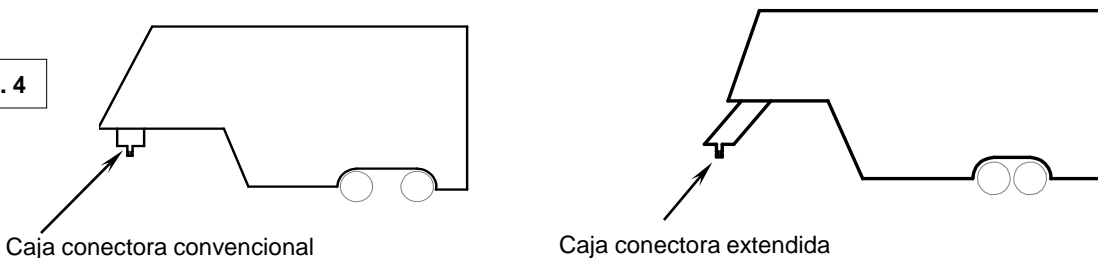
Regla de oro: La distancia desde la parte posterior de la cabina del vehículo hasta el centro del eje posterior del vehículo ("X" en la Figura 3), debería ser aproximadamente 4 pulgadas mayor que la mitad del ancho del remolque ("Y" en la Figura 3)

Fig. 3



5. Si se va a usar una camioneta de plataforma corta (menos de 8 pies pero más de 6 pies) para remolque, Reese recomienda que el remolque se equipe con una caja conectora extendida para obtener un despeje de giro adicional entre vehículo y remolque (Consulte con el fabricante del remolque para las opciones) (ver Fig. 4.). También puede ser útil agregar un deslizador Reese-Kwik (**Parte No. 30048**) para mayor despeje de giros para maniobras de baja velocidad fuera de la carretera.

Fig. 4



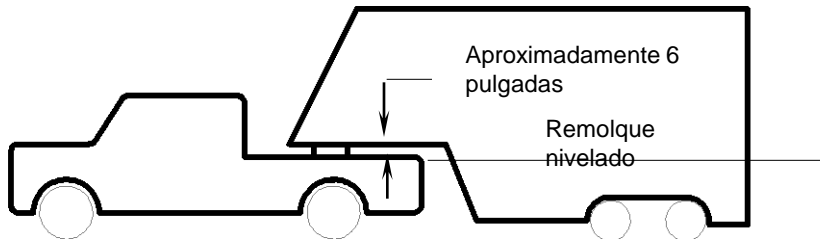
⚠ ADVERTENCIA:

¡No instale este enganche de quinta rueda ni intente remolcar con un vehículo pickup base corta que tenga una base inferior a 6'!

6. La altura del enganche y de la caja conectora se debe ajustar de manera que el remolque esté nivelado aproximadamente a medida que se remolca. Permita aproximadamente 6 pulgadas de despeje entre la parte superior de las paredes de la camioneta pickup y la parte inferior del frente del remolque para el cabeceo y rollido del remolque. (Ver

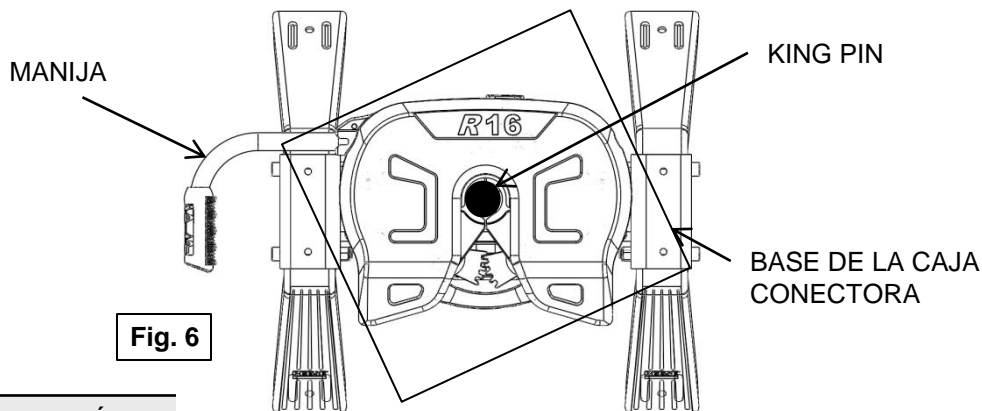
Fig. 5) Permita más despeje entre las paredes de la camioneta pickup y el remolque para uso fuera de la carretera.

Fig. 5



⚠ ADVERTENCIA:

¡NO use este enganche para remolcar un remolque con una caja conectora que podría hacer contacto o interferir con el pasador de la manija del enganche cuando esté girando! (Ver Fig. 6) Si la caja conectora hace contacto con la manija del enganche o su pasador cuando se está girando, el remolque podría desengancharse.

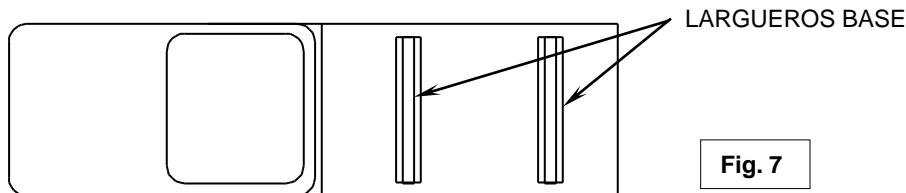


INSTRUCCIONES DE INSTALACIÓN:

⚠ ADVERTENCIA:

- La conexión del cableado del remolque debe ser en el costado de la plataforma del vehículo entre el asiento del conductor y el receptáculo de la rueda para el eje posterior del vehículo
- La instalación de la conexión detrás del receptáculo de la rueda podría resultar en que el usuario coloque el cuerpo entre el vehículo y el remolque. **¡CUANDO ESTO SEA POSIBLE, EVITE COLOCARSE DEBAJO DEL REMOLQUE O ENTRE EL CAMIÓN Y EL REMOLQUE!**
- Si necesita colocar alguna parte de su cuerpo debajo del remolque o entre el vehículo y el remolque:
 - Todas las ruedas del remolque **DEBEN** estar bloqueadas por el frente y por detrás de cada llanta **Y**
 - El equipo de aterrizaje del remolque **DEBE** estar descansando en tierra firme **Y**
 - El vehículo **DEBE** estar inmóvil en posición de estacionamiento con el freno de emergencia activado

1. Remítase a la figura. 20 en la última página. El número entre paréntesis se refiere a partes de la figura 20.
2. R16 Quinta Rueda está contenido en dos cajas. Desempaque y familiarícese con las partes en la lista de partes. El larguero base, los soportes y las piezas vienen en kits por separado (Parte No. 30035, ó 30095 ó 30153), con instrucciones de instalación separadas para el kit de montaje de largueros de Quinta Rueda.
3. Coloque dos largueros base a través de la base del vehículo (ver figura 7). Seleccione una pata y coloque las lengüetas a través de la ranura central rectangular en los largueros base. Deslice los pasadores de halar largos a través de agujeros en los largueros base desde el interior hacia afuera como se muestra para que los pasadores de bisagra estén en el exterior de los largueros base. Repita para la otra pata. Asegure los pasadores de halar con los pasadores retenedores de resorte.



4. Seleccionar miembros Cruz (6) e instalar en pierna alinear agujeros para enganche altura deseada. (Posición inferior 14 "mayor 18"). Instalar cuatro ½-13x4.5 "pernos de cabeza (8), con las cabezas hacia el exterior, como se muestra y tuercas (9).
5. Apriete las tuercas de ½" a torsión a 75 lb.-pies
6. Instale largueros base y soportes de montaje como se describe en "Instrucciones de instalación para el kit de montaje de largueros de 5ta rueda".

⚠ ADVERTENCIA

Los largueros base se deben atornillar a través del piso de la camioneta a los soportes que se unen al bastidor del vehículo. **NO INSTALE SUJETANDO AL PISO DE LA CAJA DEL VEHÍCULO ÚNICAMENTE.** El piso no es suficiente para soportar la carga impuesta por el remolque.

ANTES DE CADA VIAJE:

1. Lubrique la placa de deslizamiento del enganche (ver figura en la portada del manual) con grasa de chasis para automóviles o use una placa plástica de lubricación para proporcionar una superficie lubricada.
2. Se pueden usar placas plásticas de lubricación (Reese No. 83002) para evitar el derrame de grasa. La placa plástica de lubricación no debe exceder 3 / 16 de pulgada de espesor para asegurar enganche funcionará correctamente. Las placas de lubricación deben tener 10 pulgadas de diámetro o más para distribuir correctamente el peso del king pin.
3. Antes de cada viaje o maniobra, opere la manija y revise que las mordazas se abran y cierren libremente.
4. Verifique que todos los pasadores del enganche (# 11 en Fig. 20) estén en su lugar y que los pasadores retenedores de resorte (#10 en Fig. 20) estén instalados.

PROCEDIMIENTOS PARA EL ENGANCHE:

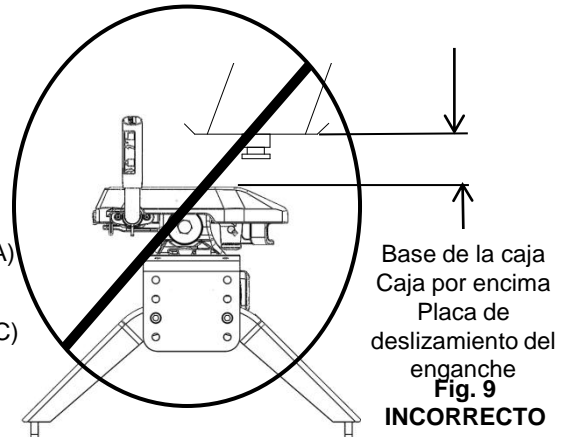
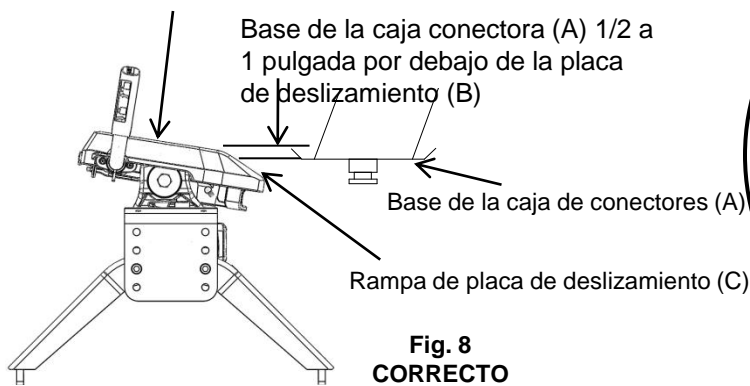
IMPORTANTE: USTED ES RESPONSABLE POR LA OPERACIÓN SEGURA DE ENGANCHE Y DESENGANCHE. NO DEPENDA DE OTROS PARA REALIZAR SUS TAREAS. USTED PERSONALMENTE DEBE ASEGURARSE DE COMPLETAR LOS SIGUIENTES PASOS EN EL SIGUIENTE ORDEN!

ADVERTENCIA:

¡NO SEGUIR ESTAS INSTRUCCIONES PUEDE RESULTAR EN LA MUERTE O EN LESIONES DE GRAVEDAD!

1. Coloque bloques firmemente contra el frente y parte posterior de cada rueda del remolque para evitar cualquier posible movimiento hacia adelante o hacia atrás. **NO quite los bloques hasta que se hayan completado cada uno de los siguientes pasos y la prueba de halar.** Baje la puerta trasera si es necesario.
2. Usando los gatos del remolque, ajuste la altura del remolque siguiendo las instrucciones en el manual del remolque de forma que el fondo del pasador del remolque ("A" en la Fig. 8) esté ½ a 1 pulgada por debajo de la placa de deslizamiento (Vea "B" en la Fig. 8). Durante la maniobra de enganche, la parte inferior de la caja conectora del remolque debe entrar en contacto con la rampa de placa de deslizamiento ("C" en la Fig. 8).

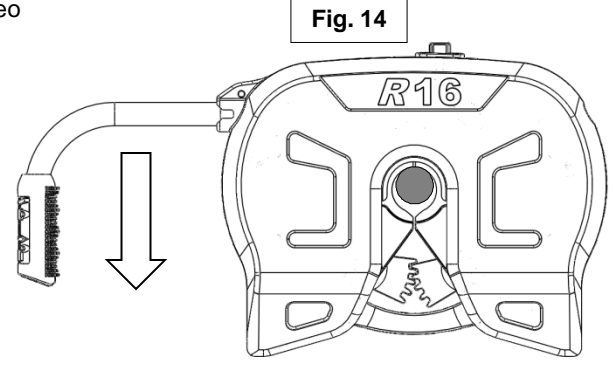
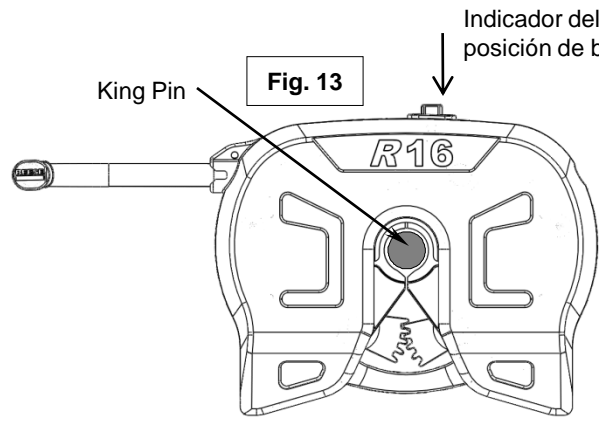
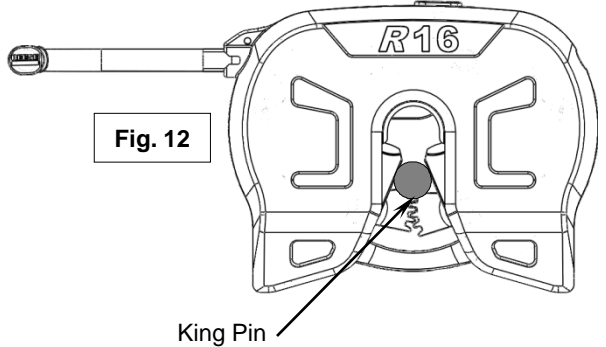
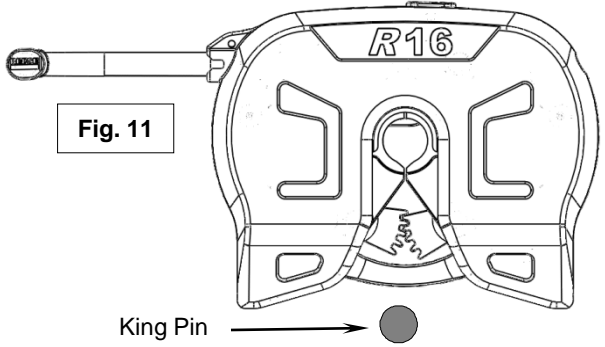
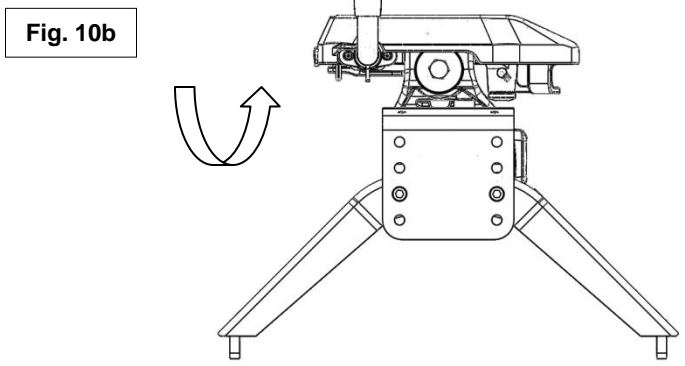
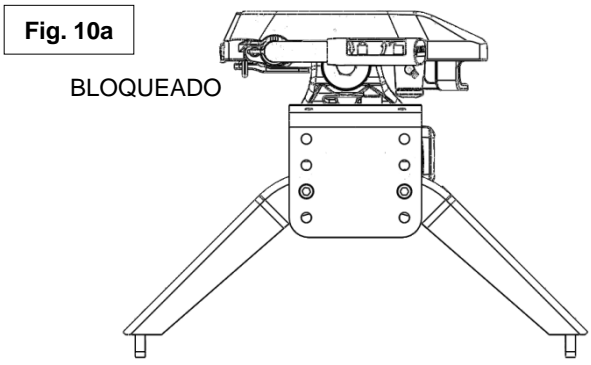
Placa de deslizamiento del enganche (B)



ADVERTENCIA:

No seguir esta instrucción puede resultar en que el king pin quede muy alto y descansa sobre las mordazas cerradas o no quede completamente al interior de las mordazas (Ver Fig. 9) Esto podría resultar en la separación del enganche del remolque. La separación del remolque podría resultar en muerte o lesión personal si alguien está debajo del remolque o entre el vehículo y el remolque cuando ocurra la separación.

3. Gire la manija de enganche de la posición de bloqueo (ver Fig. 10a) hasta la posición de desbloqueo (ver Fig. 10b). Esto desbloqueará el sistema de abrazadera. **NOTA:** Las abrazaderas del enganche no se abrirán y no puede ocurrir un enganche correcto si la manija no se apunta hacia arriba.

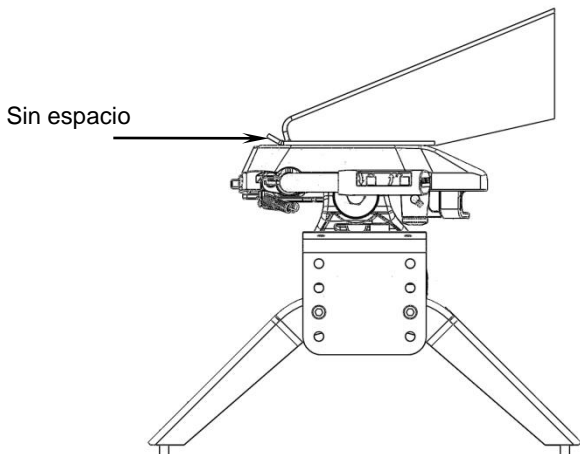


4. Con la manija en la posición abierta (ver Fig. 11), retroceda el vehículo lentamente hacia el remolque. A medida que el king pin entra al enganche, empujará las mordazas del enganche abiertas y extenderá la manija (Ver Fig. 12). A medida que el king pin entra completamente en la cabeza, las mordazas se cerrarán alrededor del king pin y regresarán a la posición de cierre y el indicador del king pin se extenderá desde el ensamble de cabeza (ver Fig. 13).
5. Después de bloquear el king pin, rote la manija hacia abajo para asegurar que las mordazas estén bloqueadas alrededor del king pin (ver fig. 14).
6. **Utilice únicamente el método descrito anteriormente para enganchar.**

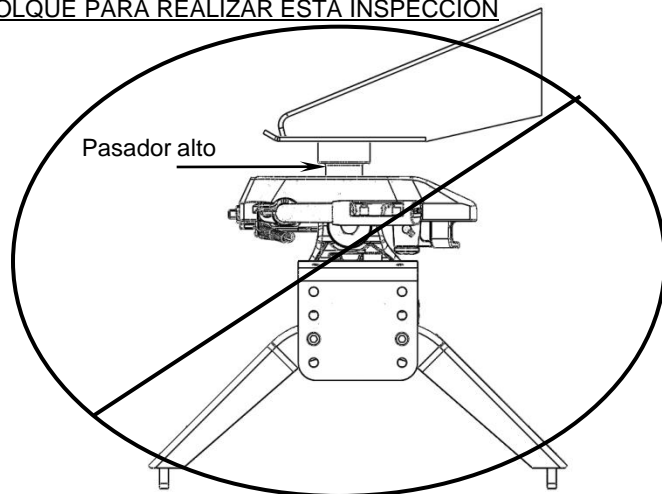
⚠ ADVERTENCIA:

No intente enganchar usando los gatos del remolque para bajar el remolque y el king pin. Esto podría resultar en que el king pin quede sobre la placa de deslizamiento en vez de quedar dentro de la abertura del enganche donde se encuentran las mordazas. El king pin podría deslizarse fuera del enganche causar la caída del remolque, lo que podría resulta en la muerte o lesiones graves.

7. Con todas las ruedas de remolque todavía firmemente bloqueadas, el tren delantero todavía apoyado en tierra firme y soportando el peso del remolque, y el vehículo estacionario y en posición de parqueo con el freno de emergencia: revise visualmente que la base de la caja conectora esté apoyada sobre la parte superior del enganche. **NO DEBE HABER ESPACIO ENTRE ESTAS SUPERFICIES** (Ver Fig. 15). Si queda espacio, (Ver Fig. 16) el remolque no se ha enganchado correctamente. **¡NO REMOLQUE!** En vez, repita los pasos anteriores hasta que el enganche esté correctamente enganchado. **NO COLOQUE EL CUERPO DEBAJO DEL REMOLQUE PARA REALIZAR ESTA INSPECCIÓN**



**Fig. 15
CORRECTO**



**Fig. 16
INCORRECTO**

8. Para garantizar que las mandíbulas están bloqueadas y cerradas, el controlador debe girarse en la posición abajo (véase Fig 17a). SI EL CONTROLADOR NO ROTAR HACIA ABAJO, EL TRAILER HA NO CORRECTAMENTE CONECTADO CON ENGANCHE. NO REMOLCAR! Repetir sobre pasos hasta trailer se enganchaba correctamente. (Véase Fig 17b)

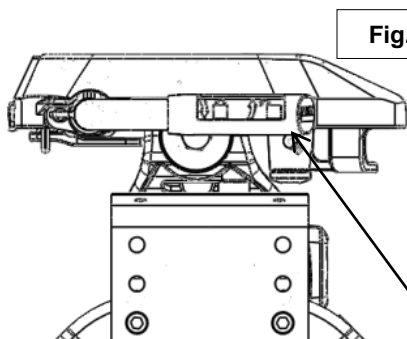


Fig. 17a

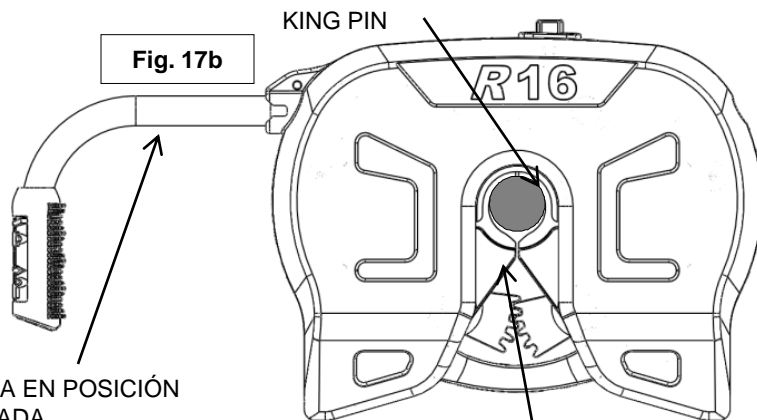


Fig. 17b

MANIJA EN POSICIÓN CERRADA

MORDAZAS CERRADAS

9. Con:
- Todas las ruedas del remolque todavía firmemente bloqueadas por el frente y por detrás de cada llanta y
 - Vehículo estacionado con el freno de emergencia, y
 - El tren delantero del remolque todavía apoyado en tierra firme y soportando el peso del remolque, y
 - El vehículo estacionado con el freno de emergencia:

10. Conecte el cable eléctrico entre el vehículo y el remolque, conecte el cable del interruptor de rompimiento de la caja de conectores a una parte permanente del vehículo y levante la puerta trasera del vehículo.

⚠ ADVERTENCIA

•¡CUANDO ESTO SEA POSIBLE, EVITE COLOCARSE DEBAJO DEL REMOLQUE O ENTRE EL VEHÍCULO Y EL REMOLQUE!

•Si necesita colocar alguna parte de su cuerpo debajo del remolque o entre el camión y el remolque:

- Todas las ruedas del remolque **DEBEN** estar bloqueadas por el frente y por detrás de cada llanta **Y**
- el equipo de aterrizaje del remolque **DEBE** estar descansando en tierra firme **Y**
- El vehículo **DEBE** estar inmóvil, en posición de estacionamiento, con el freno de emergencia activado!



ADVERTENCIA:

¡No realizar esta prueba puede resultar en la muerte o en lesiones serias!

1. Con:
- Todas las ruedas del remolque todavía firmemente bloqueadas, y
 - El tren delantero del remolque todavía apoyado en tierra firme y soportando el peso del remolque, y
 - El vehículo estacionado con el freno de emergencia:
 - Regrese a la cabina del vehículo y libere el freno de emergencia del vehículo. Aplique los frenos del remolque. Después de verificar que no haya nadie entre el vehículo y el remolque, intente halar el remolque lentamente hacia adelante con el vehículo. Si el remolque está correctamente enganchado, los bloques de la ruedas y los frenos del remolque deben evitar que el vehículo se mueva hacia el frente.

NOTA: Si el remolque no está correctamente enganchado, el remolque se separará del enganche y el vehículo se moverá hacia adelante y dejará el remolque atrás. Si el tren delantero del remolque todavía descansa en tierra firme apoyando el peso del remolque y rueda bloqueada, el remolque no podrá caerse.



ADVERTENCIA:

No mantener las ruedas bloqueadas y el tren delantero abajo podría resultar en movimiento o caída repentinos del remolque. ¡Esto podría resultar en muerte o lesiones graves!

2. Después de realizar con éxito los pasos anteriores, levante completamente el tren delantero del remolque (ver el manual del remolque).
3. Revise e inspeccione todos los circuitos eléctricos para una operación correcta. (Luces de despeje, direccionales, luces de freno, etc.).
4. Retire y guarde todos los bloques de rueda del remolque.

PROCEDIMIENTO DE DESENGANCHE:

SIGA LOS SIGUIENTES PASOS EN ESTE ORDEN:

1. Coloque los bloques firmemente contra el frente y parte posterior de cada rueda del remolque para evitar cualquier posible movimiento hacia atrás o hacia adelante.
2. Con los gatos del remolque, baje el tren delantero del remolque siguiendo las instrucciones en el Manual del remolque hasta que las patas del tren delantero estén apoyadas firmemente en el piso.
3. Verifique que el vehículo esté estacionado con el freno de emergencia activado.



ADVERTENCIA:

¡Los remolques que no están estables o correctamente enganchados puede caer y causarle la muerte! Para evitar la muerte o una lesión seria:

- Todas las ruedas del remolque DEBEN estar bloqueadas por el frente y por detrás de cada llanta Y
- el tren delantero del remolque DEBE estar descansando en tierra firme Y
- ¡El vehículo DEBE estar inmóvil, en posición de estacionamiento, con el freno de emergencia activado!

4. Baje la puerta trasera del vehículo.
5. Desconecte el cable eléctrico y el cable del interruptor de rompimiento entre el vehículo y el remolque.
6. Gire la manija del enganche hacia arriba a la posición de desbloqueo (ver Fig. 18) y tire de la palanca en dirección suya para que el king pin ya no esté firmemente agarrado por las mordazas del enganche (Ver Fig. 19). El remolque está ahora libre del enganche y del vehículo. Si la manija no sale hacia afuera, probablemente haya presión contra las mordazas. Para aliviar esta presión, retroceda el vehículo un poco. Vuelva a activar el freno de emergencia del vehículo. Luego hale la manija del enganche hacia afuera completamente.

Fig. 18

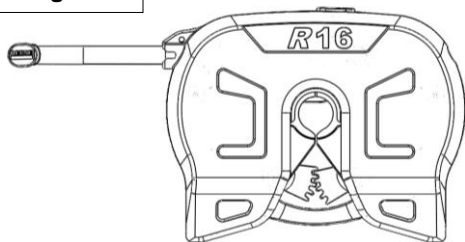
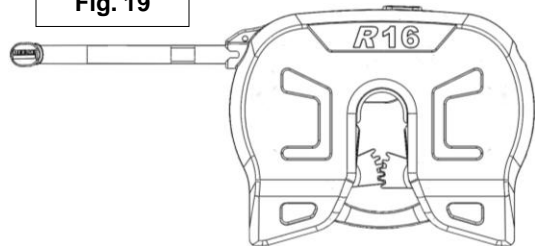


Fig. 19



7. DESPUES DE VERIFICAR QUE NADIE ESTÉ PARADO ENTRE EL VEHÍCULO Y EL REMOLQUE O AL FRENTE DEL VEHÍCULO, conduzca el vehículo lentamente alejándolo del remolque.

ADVERTENCIA

Cuando sea posible, evite colocarse debajo del remolque o entre el camión y el remolque. Si necesita colocar alguna parte de su cuerpo debajo del remolque o entre el vehículo y el remolque:

- Todas las ruedas del remolque **DEBEN** estar bloqueadas por el frente y por detrás de cada llanta **Y**
- el equipo de aterrizaje del remolque **DEBE** estar descansando en tierra firme **Y**
- ¡El vehículo **DEBE** estar inmóvil, en posición de estacionamiento, con el freno de emergencia activado!

8. Cierre las mordazas del enganche empujando la manija hacia el frente y rotándola hacia abajo.
9. **MANTENGA LOS BLOQUES DE LAS RUEDAS EN SU LUGAR.** Esto impedirá que el remolque se mueva inesperadamente.

Mantenimiento:

1. Vuelva a revisar la firmeza de todas las piezas cada 1000 millas de uso.
2. Vea la sección “Antes de cada viaje” de este manual.

GARANTÍA LIMITADA DE CINCO AÑOS

REESE garantiza la Quinta Rueda desde la fecha de compra contra defectos en los materiales y mano de obra bajo condiciones normales de uso y servicio, excepto por el desgaste normal, por 5 años de propiedad al comprador consumidor original cuando se use un kit de montaje REESE.

Los productos usados por remolcadores profesionales están sujetos a una garantía limitada de un (1) año de REESE PRODUCTS.

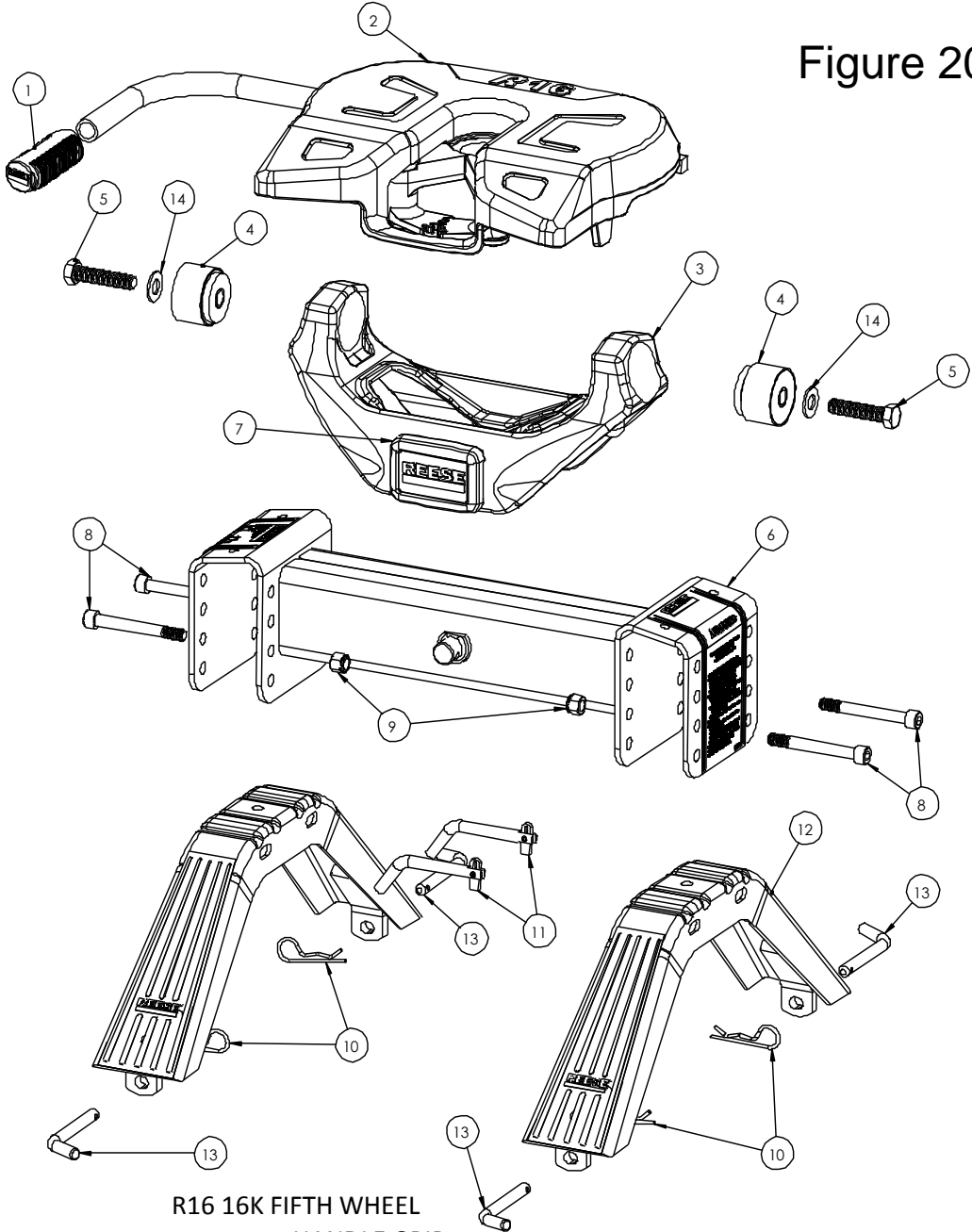
REESE reemplazará SIN CARGO cualquier parte que resulte defectuosa en materiales o mano de obra cuando se presente a cualquier concesionario REESE, (consulte un directorio telefónico local), bodega de REESE, o se devuelva a la fábrica, CON LOS GASTOS DE TRANSPORTE PREPAGADOS, a la siguiente dirección. ESTA GARANTÍA ESTÁ LIMITADA A LA REPOSICIÓN DE PARTES DEFECTUOSAS ÚNICAMENTE. SE EXCLUYEN LOS CARGOS DE MANO DE OBRA Y/O DAÑOS INCURRIDOS EN LA INSTALACIÓN O REEMPLAZO ASÍ COMO LOS DAÑOS CONSECUENCIALES O INCIDENTALES RELACIONADOS.

Algunos estados no permiten la exclusión o limitación de los daños incidentales o consecuenciales, por lo que la exclusión o limitación anterior podría no corresponderle.

Cualquier daño al enganche de quinta rueda como resultado del mal uso, abuso, negligencia, accidente, instalación incorrecta, o cualquier uso en contra de las instrucciones entregadas por nosotros INVALIDARÁ LA GARANTÍA.

Esta garantía le otorga derechos legales. Usted también podría tener otros derechos que varían de estado a estado. En el evento de un problema con el servicio de garantía o desempeño, usted puede acudir a una corte de demandas menores, una corte estatal, o una corte federal del distrito.

Figure 20



R16 16K FIFTH WHEEL

1	HANDLE GRIP	(1)
2	HEAD PAN ASSY.	(1)
3	PIVOT BEAM	(1)
4	ISOLATORS	(2)
5	5/8"-11 X 2.5 HEX BOLT	(2)
6	CROSS MEMBER	(1)
7	LOGO PLATE	(1)
8	1/2" - 13 X 4.5 SOCKET HEAD BOLT	(4)
9	1/2" LOCK NUT	(4)
10	SPRING CLIP	(6)
11	PULL PIN	(2)
12	SIDE BRACKETS	(2)
13	PULL PIN	(4)
14	5/8" FLAT WASHER	(2)