

**REESE**



**LIVE. WORK. PLAY.**

**2021**

---

**TOWING & TRAILERING**



Horizon Global is the #1 designer, manufacturer and distributor of a wide variety of high-quality, custom engineered towing, trailering, cargo management and other related accessory products in North America, Australia and Europe.

## REESE®

REESE brand has become a household name in the **heavy-duty towing** industry. From heavy duty fifth wheels and pin boxes to weight distribution systems to control sway, REESE's proven designs exceed industry standards, making it the brand of choice when performance is the expectation.

## DRAW-TITE®

Draw-Tite was born out of a passion for outstanding performance and has come to represent **one of the best custom-fit vehicle products** available today. Each hitch designed must pass rigorous tests to become Tested Tough™. Draw-Tite is the brand of choice for years of dependable service.

## FULTON®

Fulton performs best when the weather is at its worst. When innovative design is combined with quality and value, the result is a brand that is the obvious choice for recreational and marine applications everywhere. The Fulton line of trailer jacks, winches, and couplers has become the **industry standard for light and medium-duty trailering**.

## BULLDOG®

The BULLDOG line is characterized by unmatched strength, reliability, safety and value; count on BULLDOG to be Tough and Tested™. Gooseneck hitches, gooseneck couplers, jacks, trailer couplers and Wedge-Latch™ elements feature a high-strength, heavy-duty design that makes them the **toughest trailer components** available today.

## TEKONSHA®

Tekonsha has evolved to become a **trusted name in towing safety**. The core product line consists of brake controllers, electrical wiring, trailer brakes, ModuLite® Modules and T-One® T-Connectors. Smooth, predictable stopping at all speeds has made the Tekonsha Prodigy®, Primus® and Voyager® trailer brake controls the best in class and most popular on the market.

LIVE.  
WORK.  
PLAY.

# TABLE OF CONTENTS | 2021

## RECEIVER HITCHES.....A

Class I and II Receivers.....	A-4
Class III and IV Receivers.....	A-5
Class V Receivers.....	A-5 - A-7
Front Mounted Receivers.....	A-11 - A-13
Application Guide.....	A-15 - A-146

## HITCH ACCESSORIES .....B

Hitch Balls.....	B-3 - B-5
Ball Mounts.....	B-6 - B-14
Adapters and Extensions.....	B-15 - B-16
Pintle Hooks.....	B-17 - B-19
Accessories.....	B-20 - B-24

## ELECTRICAL WIRING.....C

T-One® Connectors.....	C-5
7-Way Complete Kits.....	C-6
ModuLite® Power Modules.....	C-7 - C-11
Breakaway Systems.....	C-13 - C-16
Wire Harnesses.....	C-17 - C-31
Accessories.....	C-32 - C-39

## BRAKE CONTROLS.....D

Proportional Brake Controls.....	D-2 - D-4
Timed Brake Controls.....	D-5 - D-6
Wiring Harness Application Guide.....	D-9 - D-12

## WEIGHT DISTRIBUTION .....E

Weight Distributing Systems.....	E-2 - E-5
Sway Controls.....	E-6
Weight Distribution Accessories.....	E-7 - E-8

## FIFTH WHEEL HITCHES.....F

M5 Series.....	F-3 - F-4
Standard Series.....	F-5 - F-6
Mounting Adapters.....	F-6
Fifth Wheel Accessories.....	F-7 - F-8
Rail Kit Applications.....	F-9 - F-13

## GOOSENECK HITCHES.....G

Gooseneck Coupler For RVs.....	G-3
Elite™ Series Gooseneck System.....	G-4 - G-5
Draw-Tite® Gooseneck Systems.....	G-6 - G-8
Above-Bed Gooseneck.....	G-9

## PIN BOXES.....H

Pin Boxes.....	H-2 - H-5
Gooseneck Coupler For RVs.....	H-4
Custom Wedges.....	H-6

## CARGO MANAGEMENT .....I

Cargo Carriers.....	I-2
Cargo Bags.....	I-3
Bike Carriers.....	I-4 - I-5
Cargo Securing.....	I-6

## TRAILER JACKS.....J

Powered Jacks.....	J-3 - J-7
Marine and Utility Jacks.....	J-7 - J-10
Round Jacks.....	J-11 - J-14
Square Jacks.....	J-15 - J-24
Specialty Jacks.....	J-25 - J-29

## TRAILER COUPLERS .....K

Gooseneck Couplers.....	K-2 - K-7
Heavy Duty Couplers.....	K-8 - K-10
Standard Couplers.....	K-10 - K-12
Fold-Away Hinge Kits.....	K-11

## TRAILER WINCHES .....L

Single Speed Winches.....	L-2 - L-6
Two-Speed Winches.....	L-7
Brake Winches.....	L-8 - L-9
Electric Winches.....	L-10

## TRAILER LIGHTING .....M

Tail Lights.....	M-3 - M-22
Clearance / Side Marker Lights.....	M-23 - M-36
Light Bars.....	M-38 - M-39
Auxiliary Lights.....	M-39 - M-44
Agricultural Lights.....	M-45 - M-49

## TRAILER ACCESSORIES.....N

Breakaway Systems.....	N-3 - N-6
Trailer Brake Parts.....	N-7 - N-12
Wheel Protection.....	N-12 - N-12
Safety Chains.....	N-15 - N-16

## MERCHANDISING .....O

Product Displays.....	O-2 - O-4
Signs and Banners.....	O-5 - O-6
Counter Mats.....	O-6

## WARRANTIES .....P

Dealer Installation Program.....	P-2
Warranties.....	P-3

## INDEX.....P

Application.....	P-4 - P-43
Numerical.....	P-44 - P-64

# FEATURED PRODUCTS | 2021



## REESE® SIDEWINDER™

The “ultimate short bed towing solution!” REESE Sidewinder is the premium pin box designed specifically for today’s short bed pickups. With it’s patent pending design, it automatically eliminates turning and clearance headaches. Now you can make 90 degree turns without ever exiting the truck.

- New fifth wheel wedge kits

 See page H-3 for complete information

## TEKONSHA®

### PRODIGY® P2



The Prodigy P2 electric brake controller supplies power to your tow vehicle’s brakes proportionally. This means that your trailer brakes at the same time and with the same strength as your vehicle - even in reverse gear. If you have to slam on your truck’s brakes, the trailer’s brakes respond instantly, too - there’s no delay. Suitable for use on any trailer with up to 4 braking axles.

- Now with auto dim feature for better viewing, day or night

 See page D-3 for complete information

## DRAW-TITE®

### DRAW-TITE® EURO HITCH



Introducing the latest innovation from the industry leader in towing! Unlike the typical towing receiver, The Draw-Tite Euro Hitch provides the ability to quickly and easily remove the receiver box when not in use, returning the vehicle to it’s original “fresh from factory” look.

- New 2020 vehicle applications

 See page A-2 for complete information

## FULTON

### XLT™ MARINE JACKS



This time-tested, and application proven Fulton trailer jack is designed for use with marine and utility trailers. The bolt-thru swivel mount uses 3-D formed, heavy-gauge steel stampings and a proprietary bushing material for a mount with minimal deflection and maximum support. Patent pending TruTurn™ 360 system delivers best in class castering performance.

- Now available with new glossy black finish

 See page J-7 for complete information

LIVE. WORK. PLAY.

# NEW PRODUCTS | 2021



## PRODIGY® ID



Take complete control with the Prodigy ID, the latest in brake control technology. The in-dash rotary knob seamlessly integrates into your vehicle and features a digital diagnostic readout so you can adjust settings at your fingertips. The Tekonsha EDGE™ mobile app provides even more customization, letting you store settings for multiple trailers and drivers switch between proportional or timed braking, receive real-time diagnostics and alerts and more!

- Suitable for any trailer with up to 4 braking axles

**i** See page D-2 for complete information



## PRODIGY® RF

The perfect shared-trailer solution. Utilize for rental businesses, fleet ownerships or multiple tow vehicles. Wireless communication between the remote handheld unit and trailer mounted power module eliminates the need to under dash wiring. No leveling required. Suitable for use on any trailer with up to 3 braking axles.

- Now with Bluetooth wireless communication

**i** See page D-2 for complete information



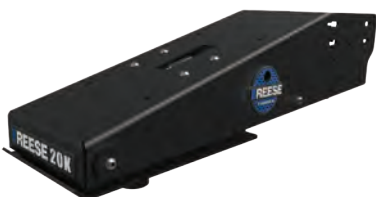
## REESE®

### M5 32K FIFTH WHEEL HITCH

Experience the quietest and smoothest tow possible thanks to a wider stance, tighter tolerances, and industry leading shock dampening system. By combining the latest in technology, rugged endurance, and sleek design, the M5 continues the REESE legacy of Pioneering Performance.

- Industry leading 32,000 lbs. capacity

**i** See page F-4 for complete information



### 5TH AIRBORNE™

Make your next getaway a breeze with the REESE 5th Airborne pin box. With it's air-ride technology, this pin box works to reduce chucking and dampen road shock to provide the smoothest towing experience possible. Enjoy the journey as much as the destination.

- 20,000 lbs. capacity

**i** See page H-2 for complete information



# RECEIVER HITCHES

The most trusted name in trailer hitches, Draw-Tite® has been at the forefront of trailer hitch design and engineering since their first products were delivered in 1946. Every one of Draw-Tite's wide range of designs benefit from a long legacy of research and manufacturing that is unmatched in the industry.

Draw-Tite's innovative low profile designs compliment the rear contours and aerodynamic styling of today's vehicles. Custom designed hitches are specific to vehicle type and model year for simple installation and superior fit with a minimum of bumper cutting or drilling. Removable drawbars and ball mounts enhance the appearance of the vehicle when not in use. All Draw-Tite's hitches meet or exceed V5 CSA and SAE J684 standards and are backed by Draw-Tite's nationwide, limited lifetime warranty.

## RECEIVER HITCHES

Hitch Selection Chart.....	A-3
Drawbar Program.....	A-4
Class I and II.....	A-4
Class III and IV.....	A-5
Class V Ultra Frame™.....	A-5 - A-6
Class V Heavy Duty.....	A-6
Class V 3000 Heavy Duty.....	A-7
Class V 4000 Heavy Duty.....	A-7
Motorhome.....	A-8
Step Bumper.....	A-8
Front Mounted.....	A-11

## RECEIVER HITCH ACCESSORIES

Combo Bars.....	A-9
Drill Bits and Hole Saws.....	A-9
Installation Tools.....	A-9 - A-10

## FRONT MOUNTED HITCH ACCESSORIES

License Plate Holder.....	A-10
Spare Tire Carrier.....	A-10
Work Step.....	A-10
Skid Plate.....	A-10
Winch Mounting Plate.....	A-10

## APPLICATION GUIDES

Front Mounted Receiver Hitches.....	A-11 - A-13
All-In-One Hitch and Electrical.....	A-15 - A-145
Electrical Positions.....	A-146

# FEATURED

## DRAW-TITE® EURO HITCH - A HITCH ONLY WHEN YOU NEED IT!

Introducing the latest innovation from the industry leader in towing! Unlike the typical towing receiver, the Draw-Tite Euro Hitch provides the ability to quickly and easily remove the receiver box when not in use, returning the vehicle to it's original "fresh from factory" look. When you're ready to tow or attach an accessory such as a bike rack, you can easily insert the receiver in less than 5 seconds!



- 2 in. square receiver tube opening
- Detachable, easy to insert/remove receiver box
- Anti-theft lockable receiver
- European engineered for years of trouble-free use
- Anti-rattle hitch pin for premium performance
- Solid steel construction for maximum strength and safety
- Custom design to each vehicle specific make and model



Euro Hitch installed with receiver box inserted



Removable receiver box



Euro Hitch installed with receiver box removed



Includes receiver box carrying case

Make/Model	Style	Years	Receiver Type	Receiver Size	Part Number	No Drill	Weight Carrying (lbs.)
<b>ACURA</b>							
RDX	All Styles	10 - 20	Square 3	2	76902	Ø	350/3,500
<b>AUDI</b>							
Q5	All Styles	18 - 20	Square 3	2	76911	Ø	350/3,500
<b>BMW</b>							
X3	All Styles	11 - 20	Square 3	2	76906	Ø	350/3,500
X5	Except M Sport Package	07 - 18	Square 3	2	76903	Ø	350/3,500
X5	Except M Sport Package	19 - 20	Square 3	2	76908	Ø	350/3,500
<b>FORD</b>							
Explorer	All Styles	20	Square 3	2	76910	Ø	350/3,500
<b>JEEP</b>							
Grand Cherokee	All Styles	11 - 20	Square 3	2	76913	Ø	350/3,500
<b>INFINITY</b>							
QX60	All Styles	14 - 20	Square 3	2	76904	Ø	350/3,500
<b>LEXUS</b>							
RX350	All Styles	16 - 20	Square 3	2	76905	Ø	350/3,500
<b>NISSAN</b>							
Pathfinder	All Styles	13-20	Square 3	2	76904	Ø	350/3,500
<b>SUBARU</b>							
Outback	Wagon, Except Sport	10 - 19	Square 3	2	76907	Ø	350/3,500
<b>TOYOTA</b>							
Rav4	All Styles	19 - 20	Square 3	2	76912	Ø	350/3,500

NOTE: Not designed for weight distribution. New applications are engineering and released throughout the year

LIVE. WORK. PLAY.



CUSTOM BUILT

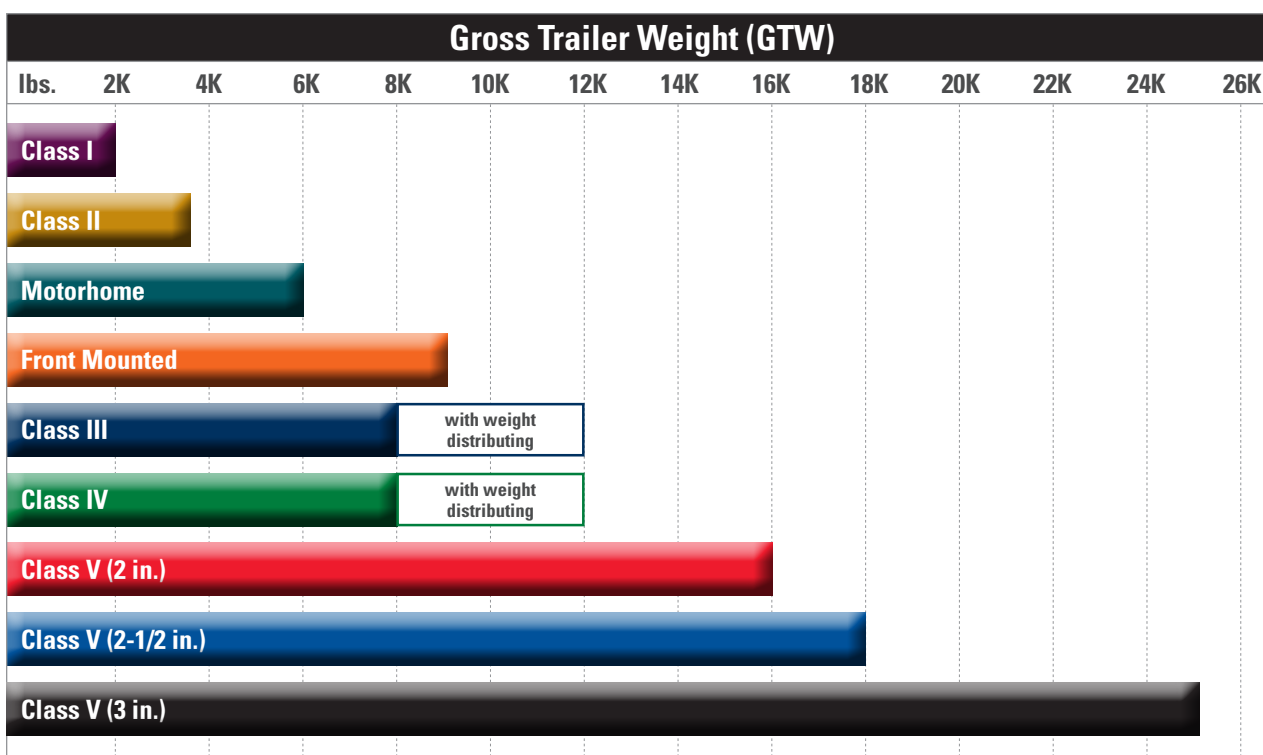


### CUSTOM BUILT RECEIVER HITCHES

- Top quality in every hitch and receiver we make
- Solid all-welded construction for maximum strength and safety
- Custom built according to manufacturer vehicle weight specifications and model year to ensure perfect fit and top towing performance
- All Draw-Tite hitches meet and exceed V-5 and SAE J684 standards and are inspected for quality and workmanship
- Computer-aided design and fatigue stress testing ensure a strong design that will withstand road abuse within specified capacities
- Finish is black powder coat over E-coat (industry leading corrosion resistance)
- Backed by a nationwide Lifetime Limited Warranty

### SELECTING THE RIGHT HITCH

- Determine the Gross Trailer Weight and Gross Tongue Weight of the trailer that you would like to tow. Check with the trailer manufacturer or if you are not sure, have it towed to a government inspection scale. Remember that the GTW should reflect a fully loaded trailer
- Consult your vehicle’s owner’s manual to determine if your vehicle is rated to safely tow your trailer
- Use the chart below to figure out the minimum Class of hitch that is required



### QUICK DEFINITIONS

- GTW = Gross Trailer Weight ... Weight of the trailer fully loaded
- TW = Tongue Weight ... Weight exerted by the trailer coupler on the hitch ball
- WC = Weight Carrying ... Tow rating capacity of a hitch without a weight distributing system
- WD = Weight Distributing ... Tow rating capacity of a hitch when using a weight distributing system



24 Series and 25 Series  
1-1/4 in. Square Receiver Tube Opening



**CLASS I SPORTFRAME™**

- 1-1/4 in. square receiver tube opening
- Economical Class I receiver style hitch
- Removable drawbar, pin and clip sold separately
- Attaches to vehicle frame and/or bumper
- Black powder coat finish over E-coat



Part Number	Description	Gross Trailer Weight (lbs.)	Tongue Weight (lbs.)	Packaging	Master Carton
24 Series 25 Series	Weight Carrying	Up to 2,000	Up to 200	Boxed	1

36 Series and 37 Series  
1-1/4 in. Square Receiver Tube Opening



**CLASS II FRAME HITCH™**

- 1-1/4 in. square receiver tube opening
- Receiver style hitch and receiver tube opening
- Removable drawbar, pin and clip sold separately
- Neat appearance and all frame attachments
- Black powder coat finish over E-coat



Part Number	Description	Gross Trailer Weight (lbs.)	Tongue Weight (lbs.)	Packaging	Master Carton
36 Series 37 Series	Weight Carrying	Up to 3,500	Up to 350	Boxed	1

285 Series  
1-1/4 in. Square Receiver Tube Opening



**CLASS I/II INVISI-HITCH™**

- 1-1/4 in. square receiver tube opening
- One piece construction for a stronger hitch and easier installation
- Attachment allows hitch to be affixed well under vehicle for minimum visibility when drawbar is removed
- Includes mounting hardware
- Removable drawbar, pin and clip sold separately
- Black powder coat finish over E-coat



Part Number	Description	Gross Trailer Weight (lbs.)	Tongue Weight (lbs.)	Packaging	Master Carton
285 Series	Weight Carrying	Up to 3,500	Up to 350	Boxed	1

See application guide on page A-15 for vehicle specific applications

**DRAWBAR PROGRAM FROM DRAW-TITE**

- Draw-Tite is proud to present the **Drawbar Program**. Over the years, customers have requested the option of purchasing the Class I and Class II hitch and drawbar separately. Now you can. Like the Receiver Plus Program, the **Drawbar Program offers specially priced drawbars with each Class I or Class II hitch sold**. Please NOTE: Discounted pricing is only available on one drawbar kit per hitch, and only when the two are purchased together.
- How to take part:
  1. Choose the correct Class I or Class II hitch part number for the vehicle application.
  2. Determine if you need a drawbar (Yes/No)

**IF YES**, order as follows:

Hitch (24824) + Drawbar (3594) = 248240 part number. Adding a zero to the end of the number will show that the two parts are being ordered together. If no drawbar is needed, order the standard part number (24824).



CLASS III AND IV

75 Series and 76 Series  
2 in. Square Receiver Tube Opening



CLASS III/IV MAX-FRAME™

- 2 in. square receiver tube opening
- Max-Frame receivers are designed for customers with trucks, vans and sport utility vehicles
- All frame attachments
- Black powder coat finish over E-coat
- J-Pin™ ready
- Available as square or round
- 75xxx ball mounts #23 and #53 are available (Max-Frame Program)



Part Number	Description	Gross Trailer Weight (lbs.)	Tongue Weight (lbs.)	Packaging	Master Carton
75 Series 76 Series	Weight Carrying	Up to 8,000	Up to 1,200	Boxed	1
75 Series 76 Series	Weight Distributing	Up to 12,000	Up to 1,200	Boxed	1

41 Series  
2 in. Square Receiver Tube Opening



CLASS III/IV MAX-E-LOADER™

- 2 in. square receiver tube opening
- Max-E-Loader's long side bracket distributes the towing load over a greater portion of the vehicle frame
- All frame attachments
- J-Pin™ ready
- Black powder coat finish over E-coat



Part Number	Description	Gross Trailer Weight (lbs.)	Tongue Weight (lbs.)	Packaging	Master Carton
41 Series	Weight Carrying	Up to 8,000	Up to 1,200	Boxed	1
41 Series	Weight Distributing	Up to 12,000	Up to 1,200	Boxed	1

419 Series  
2 in. Square Receiver Tube Opening



CLASS V ULTRA FRAME™

- 2 in. square receiver tube opening
- Designed for full-size trucks, vans and utility vehicles with full frames and heavy-duty suspensions
- Ideal for high tongue weight applications (Example: Toy Hauler)
- Strong, secure heavy-duty side bracket design
- All frame attachments
- J-Pin™ ready
- Black powder coat finish over E-coat
- Redesign of Ultra Frame™ receivers to include Cast Center Section
- Rugged appearance, cast steel material, bigger chain loops, tighter ball mount fit and reinforced pin hole



Part Number	Description	Gross Trailer Weight (lbs.)	Tongue Weight (lbs.)	Packaging	Master Carton
419 Series	Weight Carrying	Up to 15,000	Up to 1,500	Boxed	1
419 Series	Weight Distributing	Up to 16,000	Up to 1,600	Boxed	1
419 Series	Weight Carrying with Cast Center	Up to 16,000	Up to 2,400	Boxed	1
419 Series	Weight Distributing with Cast Center	Up to 16,000	Up to 1,600	Boxed	1

NOTE: Contact Customer Service for availability of new Cast Center Section part numbers

See application guide on page A-15 for vehicle specific applications



41990



41990-07



41990-16

### CLASS V ULTRA FRAME™

- 2 in. square receiver tube opening
- Manufactured for service body and flat bed stake trucks
- Mix and match center section and side brackets
- Versatile for various makes and models
- Fabrication kit requires welding
- 41991 satisfies DOT SEC. 393 .86 (b) (1)t



Part Number	Description	Gross Trailer Weight (lbs.)	Tongue Weight (lbs.)	Packaging	Master Carton
4916	Ultra Frame, Long 16 Side Bracket	—	—	Boxed	1
4907	Ultra Frame, Short 7 Side Bracket Kit Only	—	—	Boxed	1
41990	Ultra Frame, 44 Crosstube Only	16,000	1,600	Boxed	1
41990-07	Ultra Frame, includes: 41990 (44) and 4907	16,000	1,600	Boxed	1
41990-16	Ultra Frame, includes: 41990 (44) and 4916	16,000	1,600	Boxed	1
41991	Ultra Frame, 62 Crosstube Only	16,000	1,600	Boxed	1
41991-07	Ultra Frame, includes: 41991 (62) and 4907	16,000	1,600	Boxed	1
41991-16	Ultra Frame, Includes: 41991 (62) and 4916	16,000	1,600	Boxed	1

455 Series  
2-1/2 in. Square Receiver Tube Opening



### CLASS V HEAVY DUTY

- 2-1/2 in. square receiver tube opening
- Designed for full-size long wheelbase trucks, vans and utility vehicles with full frames and heavy-duty suspensions
- Ideal for high tongue weight applications (Toy Hauler and Commercial)
- Strong, secure heavy-duty side bracket design
- Pin, clip and receiver tube cover included
- Black powder coat finish over E-coat
- Welded electrical bracket included



Part Number	Description	Gross Trailer Weight (lbs.)	Tongue Weight (lbs.)	Packaging	Master Carton
455 Series	Weight Carrying	Up to 18,000	Up to 2,000	Boxed	1
455 Series	Weight Distributing	Up to 18,000	Up to 2,500	Boxed	1

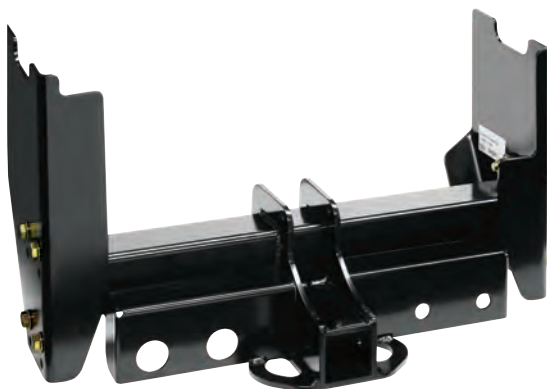
See application guide on page A-15 for vehicle specific applications

CLASS V HEAVY DUTY

38023 - Class V Heavy Duty 3000  
3 in. Square Receiver Tube Opening



38211 - Class V Heavy Duty 3000  
3 in. Square Receiver Tube Opening



38208 - Class V Heavy Duty 4000  
3 in. Square Receiver Tube Opening



CLASS V HEAVY DUTY 3000

- 3 in. square receiver opening
- 20,000 lbs. weight carrying capacity; 3,000 lbs. tongue weight
- Adjustable cross tube for proper height
- Two electrical plug and air brake hook up mounting locations for easy trailer attachments
- Air brake hook up locations
- Dual ball mount with 2 in. and 2-5/16 in. balls included
- Pin and clip included
- For frame widths from 33-1/2 in. to 34-1/2 in.
- Welds to frame of vehicle



Part Number	Description	Gross Trailer Weight (lbs.)	Tongue Weight (lbs.)	Packaging	Master Carton
38023	Weight Carrying, Dual Ball Mount	Up to 20,000	Up to 3,000	Boxed	1
38211	Weight Carrying, Dual Ball Mount	Up to 20,000	Up to 3,000	Boxed	1

NOTE: 38023 is 10 in. from bottom of frame to bottom of receiver tube  
NOTE: 38211 is 14-1/2 in. from bottom of frame to bottom of receiver tube

CLASS V HEAVY DUTY 4000

- 3 in. square receiver opening
- 25,000 lbs. weight carry capacity; 4,000 lbs. tongue weight
- Dual stacked receivers for proper height adjustment
- Two electrical plug and air brake hook up mounting locations for easy trailer attachments
- For frame widths from 34 in. to 34-1/2 in.
- Air brake fittings for easy trailer hookups
- Dual ball mount with 2 in. and 2-5/16 in. balls included
- Pin and clip included



Part Number	Description	Gross Trailer Weight (lbs.)	Tongue Weight (lbs.)	Packaging	Master Carton
38124	Weight Carrying, Dual Ball Mount	Up to 25,000	Up to 4,000	Boxed	1
38208	Weight Carrying, Dual Ball Mount	Up to 25,000	Up to 4,000	Boxed	1

NOTE: 38124 is 14-1/2 in. from bottom of frame to bottom of dual stacked receiver tube  
NOTE: 38208 is 10-1/2 in. from bottom of frame to bottom of dual stacked receiver tube

5350 - Multi-Fit Motorhome  
2 in. Square Receiver Tube Opening



### MULTI-FIT MOTORHOME HITCH

- **2 in.** receiver tube accepts all standard utility ball mounts, providing ball height adjustment for level towing
- Simple three-piece construction makes assembly and installation fast and easy
- Fits frames 24 in. to 36 in. wide
- Attachment hardware included
- Black powder coat finish over E-coat



Part Number	Description	Gross Trailer Weight (lbs.)	Tongue Weight (lbs.)	Packaging	Master Carton
5350	Motorhome Hitch, Adjusts 24 - 36 Wide	5,000 - 6,000	500 - 750	Boxed	1

82201 - Universal Motorhome  
2 in. Square Receiver Tube Opening



### UNIVERSAL MOTORHOME HITCH

- **2 in.** receiver tube accepts all standard utility ball mounts, providing ball height adjustment for level towing
- Frame brackets are adjustable
- Fits frames 47 in. to 71 in. wide
- Attachment hardware included
- Black powder coat finish over E-coat



Part Number	Description	Gross Trailer Weight (lbs.)	Tongue Weight (lbs.)	Packaging	Master Carton
82201	Motorhome Hitch, Adjusts 47 - 71 Wide	3,500	300	Boxed	1

81378 - Step Bumper  
2 in. Square Receiver Tube Opening



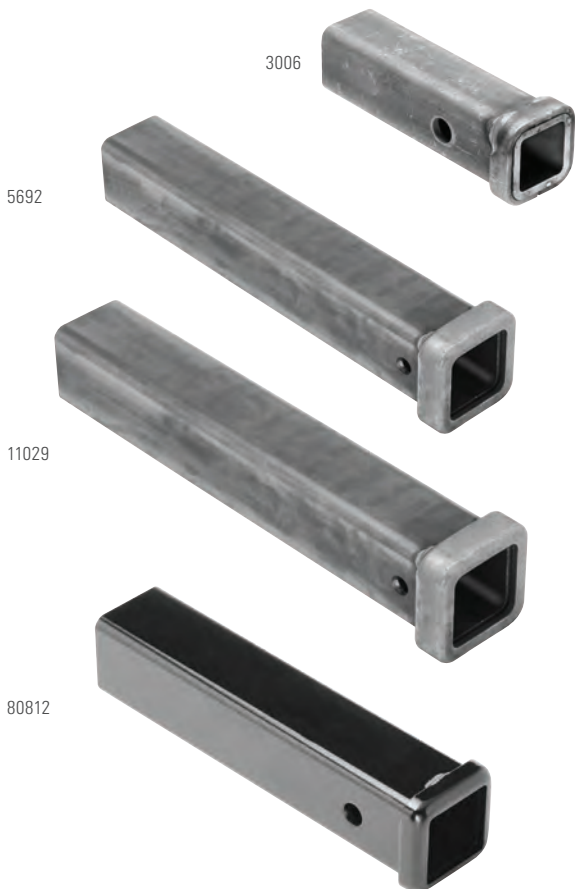
### STEP BUMPER HITCH

- **2 in.** receiver tube accepts all standard utility ball mounts, providing ball height adjustment for level towing
- Do not exceed maximum GTW of bumper or hitch
- Not to be used with weight distributing systems
- May require modification or additional spacers for installation on late model pick-up
- Hardware included



Part Number	Description	Gross Trailer Weight (lbs.)	Tongue Weight (lbs.)	Packaging	Master Carton
81378	Step Bumper Hitch	3,500	350	Boxed	1

COMBO BARS AND INSTALLATION TOOLS



COMBO BARS

- Designed for use in fabricating undercar receiver hitches
- Made of cold formed structural tubing
- Sized and punched to fit all common weight distributing hitch ball mounts or utility ball mounts

Part Number	Description	Length (in.)	Diameter (in.)	Ring	Packaging	Master Carton
<b>Unpainted</b>						
2850	Combo Bar	6	2 x 2	Standard	Boxed	1
11081	Combo Bar	8	2 x 2	Standard	Boxed	1
2851	Combo Bar	12	2 x 2	Standard	Boxed	1
2898	Combo Bar	18	2 x 2	Standard	Boxed	1
2852	Combo Bar	24	2 x 2	Standard	Boxed	1
2853	Combo Bar	36	2 x 2	Standard	Boxed	1
2854	Combo Bar	48	2 x 2	Standard	Boxed	1
3006	Combo Bar	6	1-1/4 x 1-1/4	Standard	Boxed	1
5691	Combo Bar	12	2 x 2	Cast	Boxed	1
5692	Combo Bar	18	2 x 2	Cast	Boxed	1
11029	Combo Bar	18	2-1/2 x 2-1/2	Cast	Boxed	1
<b>Painted</b>						
80806	Combo Bar	6	2 x 2	Standard	Boxed	1
80812	Combo Bar	12	2 x 2	Standard	Boxed	1

DRILL BITS AND HOLE SAWS

- Drill bits and hole saws are especially selected to best suit trailer hitch installations where drilling is required
- With 135° split points for easy starts on flat surfaces
- Made of high carbon, M-2 steel for maximum durability and minimum brittleness



40109 / 40110 / 6810 / 6811



01932-003 / 1935 / 1937

Part Number	Description	Overall Length (in.)	Flute Length (in.)	Packaging	Master Carton
01932-003	3/8 in. Drill Bits, (3 Pack)	5	3-5/8	Poly Bag	1
01933-003	7/16 in. Drill Bits, (3 Pack)	5-1/2	4-1/16	Poly Bag	1
01934-003	1/2 in. Drill Bits, (3 Pack)	6	4-1/2	Poly Bag	1
01938-003	1/4 in. Pilot Drill Bits, (3 Pack)	-	-	Poly Bag	1
1935	3/8 in., 7/16 in. and 1/2 in. Drill Bits	-	-	Poly Bag	1
1937	Hole Saw Arbor with Pilot Drill (1936)	-	-	Poly Bag	1
58381	3-1/2 in. Hole Saw	-	-	Boxed	25
1124	Hole Saw Arbor with Pilot Drill (58381)	-	-	Poly Bag	1
4655	9/16 in. Drill Bit with 1/2 in. Shank	6-1/8	3	Poly Bag	50
40109	3/8 in. Rotabroach Hole Cutting Tool with Pilot	-	-	Poly Bag	1
40110	7/16 in. Rotabroach Hole Cutting Tool with Pilot	-	-	Poly Bag	1
6810	1/2 in. Rotabroach Hole Cutting Tool with Pilot	-	-	Poly Bag	1
6811	9/16 in. Rotabroach Hole Cutting Tool with Pilot	-	-	Poly Bag	1



5481 / 5482 / 55392 / 55393

### INSTALLATION TOOLS

Part Number	Description	Packaging	Master Carton
5481	7/16 in. Wire Forms, (20 Pack)	Bulk	25
5482	1/2 in. Wire Forms, (20 Pack)	Bulk	25
55392	1/2 in. Wire Forms for Fishwiring Bolts in Frames	Bulk	1
55393	3/8 in. Wire Forms	Bulk	1
74342	Hitch Ball Wrench, Boxed End 1-1/8 in. and 1-1/2 in.	Display Label	5
49803	Fastener Assortment (Carriage Bolts, Blocks, etc.)	Boxed	1
58530	Replacement Part, Rubber Bolt Cap for 75662, 87530 and 44603	Poly Bag	25

### LICENSE PLATE HOLDERS

- Some states and provinces require a front license plate
- Offers a simple solution where the front hitch interferes with the plate

Part Number	Description	Packaging	Master Carton
5443	License Plate Adapter	Boxed	1
49802	Fold Down License Plate Holder	Boxed	1

### SPARE TIRE CARRIER

- Ideal for relocating spare tires to the front of the vehicle using a front mounted receiver
- Universal bolt pattern for mounting a variety of tire sizes

Part Number	Description	Packaging	Master Carton
6715	Spare Tire Carrier, Universal Bolt Pattern	Boxed	1



5443

6715

### WORK STEP

- Useful for gaining access to engine compartment, particularly with 4 x 4 pick-ups
- Can also be used on rear Class III/IV hitches

Part Number	Description	Packaging	Master Carton
6758	Work Step	Boxed	1



6758

### RECEIVER TUBE SKID PLATE

- Recommended for use with hitches that are mounted below the bumper

Part Number	Description	Packaging	Master Carton
6771	Receiver Tube Skid Plate	Boxed	1



6771

### WINCH MOUNTING PLATE

- Rated for 9,000 lbs. line pull
- Ideal for use with BULLDOG™ winches
- Accepts most models of Superwinch, Ramsey and Warn
- Will not fit with S4500 Superwinch

Part Number	Description	Packaging	Master Carton
6495	Winch Mounting Plate	Boxed	1



6495

## FRONT MOUNTED HITCHES

65 Series  
2 in. Square Receiver Tube Opening



See fit guide below for vehicle specific applications

## FRONT MOUNTED HITCHES

- 2 in. square receiver tube opening
- Front mounted receivers offer a secure and useful attachment point
- All frame attachments
- J-Pin™ ready
- Ideal for use with winches and snow plows
- Black powder coat finish over E-coat



Part Number	Description	Gross Trailer Weight (lbs.)	Tongue Weight (lbs.)	Packaging	Master Carton
65 Series	Weight Carrying	Up to 9,000	Up to 500	Boxed	1

Make/Model	Years	PC	Part No.	Footnotes	Vert Load	Line Pull	In
<b>CHEVROLET</b>							
Avalanche Except Z71	07-13	30	65052	Ø,GP,X	500	9,000	25
Blazer Full Size	92-94	21	65005	JU,JV	500	9,000	40
Blazer Downsize	95-05	24	65004	JW,JX,X	300	9,000	30
Blazer Trailblazer	99-01	24	65004	JW,JX,X	300	9,000	30
C1500 2 Dr. Regular & Extended Cabs	88-99	21	65005	JU,JV,KC	500	9,000	40
		46	65021†	JV,KD,KE	500	9,000	30
C1500 4 Dr. Crew Cab	92-99	46	65021†	JV,KD,KE	500	9,000	30
C2500 2 Dr. Regular & Extended Cabs	88-99	21	65005	JU,JV,KC	500	9,000	40
		46	65021†	JV,KD,KE	500	9,000	30
C2500 4 Dr. Crew Cab	92-00	46	65021†	JV,KD,KE	500	9,000	30
C3500 2 Dr. Regular & Extended Cabs	88-00	21	65005	JU,JV,KC	500	9,000	40
		46	65021†	JV,KD,KE	500	9,000	30
C3500 4 Dr. Crew Cab	92-00	46	65021†	JV,KD,KE	500	9,000	30
Colorado	15-21	23	65071	Ø,X	500	9,000	30
Express 1500 Inc. RV Cutaway	96-03	24	65016	X	500	9,000	35
Express 2500 Inc. RV Cutaway	96-03	24	65016	X	500	9,000	35
Express 3500 Inc. RV Cutaway	96-03	24	65016	X	500	9,000	35
K1500 2 Dr. Regular & Extended Cabs	88-99	21	65005	JU,JV,KC	500	9,000	40
K2500 2 Dr. Regular & Extended Cabs	88-99	21	65005	JU,JV,KC	500	9,000	40
K2500 4 Dr. Crew Cab	92-00	21	65005	JU,JV,KC	500	9,000	40
K3500 2 Dr. Regular & Extended Cabs	88-00	21	65005	JU,JV,KC	500	9,000	40
K3500 4 Dr. Crew Cab	92-00	21	65005	JU,JV,KC	500	9,000	40
S10	94-04	24	65004	JW,JX,X	300	9,000	30
Silverado 1500	99-07	47	65023		500	9,000	20
Silverado 1500	07-13	30	65052	Ø,GP,X	500	9,000	25
Silverado 1500 LD (Old Body Style)	14-19	30	65064	Ø,GP,X,FE	500	9,000	25
Silverado 1500	19-20	30	65082	Ø,GP,X	500	9,000	25
Silverado 1500 HD	01-03	24	65028	HB	500	9,000	20
Silverado 1500 HD	05-07	24	65028	HB	500	9,000	20
Silverado 2500	99-04	24	65028	HB	500	9,000	20
Silverado 2500 HD	01-07	24	65028	HB	500	9,000	20
Silverado 2500 HD	07-10	22	65050	Ø,EP,GP,RZ	500	9,000	40
Silverado 2500 HD	11-14	24	65078	Ø,GP,EP	500	9,000	45
Silverado 2500 HD	15-19	24	65078	Ø,GP,EP	500	9,000	35
Silverado 2500 HD	20	25	65083	Ø,X	500	9,000	30
Silverado 3500	01-07	24	65028	HB	500	9,000	20
Silverado 3500 HD	07-10	22	65050	Ø,EP,GP,RZ	500	9,000	40

Make/Model	Years	PC	Part No.	Footnotes	Vert Load	Line Pull	In
<b>CHEVROLET (continued)</b>							
Silverado 3500 HD	11-14	24	65078	Ø,GP,EP	500	9,000	45
Silverado 3500 HD	15-19	24	65078	Ø,GP,EP	500	9,000	35
Silverado 3500 HD	20	25	65083	Ø,X	500	9,000	30
Suburban	15-20	30	65064	Ø,GP,X	500	9,000	25
Suburban 1500	00-06	47	65023		500	9,000	20
Suburban 1500 Except Z71	07-14	30	65052	Ø,GP,X	500	9,000	25
Suburban 2500	00-06	24	65028	HB	500	9,000	20
Suburban C1500	92-99	21	65005	JU,JV,KC	500	9,000	40
		46	65021†	JV,KD	500	9,000	30
Suburban C2500	92-99	21	65005	JU,JV,KC	500	9,000	40
		46	65021†	JV,KD	500	9,000	30
Suburban K1500	92-99	21	65005	JU,JV,KC	500	9,000	40
		46	65021†	JV,KD	500	9,000	30
Suburban K2500	92-99	21	65005	JU,JV,KC	500	9,000	40
		46	65021†	JV,KD	500	9,000	30
Tahoe	95-00	21	65005	JU,JV	500	9,000	40
Tahoe 1500 Series	00-06	47	65023		500	9,000	20
Tahoe Except Z71	07-14	30	65052	Ø,GP,X	500	9,000	25
Tahoe	15-20	30	65064	Ø,GP,X	500	9,000	25
<b>DODGE</b>							
Dakota 4 WD	00-04	42	65029†	Ø,JW	300	9,000	25
Durango 4 WD	00-03	42	65029†	Ø,JW	300	9,000	25
Ram 1500	94-01	37	65003	Ø,JV	500	9,000	30
Ram 1500	02-05	49	65033	Ø,GP	500	9,000	25
Ram 1500	09-10	32	65062	EP,GP	500	9,000	35
Ram 2500	94-02	37	65003	Ø,JV	500	9,000	30
Ram 2500	03-09	34	65046		500	9,000	40
Ram 2500	10	33	65063	Ø,GP,TY	500	9,000	30
Ram 2500 4 WD	10	35	65057	Ø,EP,GP,JW	500	9,000	40
Ram 3500	94-02	37	65003	Ø,JV	500	9,000	30
Ram 3500	03-09	34	65046		500	9,000	40
Ram 3500	10	38	65060	EP,GP	500	9,000	30
		33	65063	Ø,GP,TY	500	9,000	30
Ram 4500 Cab & Chassis	10	33	65063	Ø,GP,TY	500	9,000	30
Ram 5500 Cab & Chassis	10	33	65063	Ø,GP,TY	500	9,000	30
<b>FORD</b>							
E-150 Econoline	91-07	28	65001		500	9,000	20
E-150 Econoline	08-14	19	65053	EP,GP,JV	500	9,000	40
E-250 Econoline	91-07	28	65001		500	9,000	20
E-250 Econoline	08-14	19	65053	EP,GP,JV	500	9,000	40



Make/Model	Years	PC	Part No.	Footnotes	Vert Load	Line Pull	In
<b>FORD (continued)</b>							
E-350 Econoline Inc. RV Cutaway	91-07	28	65001		500	9,000	20
E-350 Econoline Super Duty	08-14	19	65053	AI,EP,GP,JV	500	9,000	50
E-350 Econoline Super Duty RV Cutaway	08-17	19	65053	AI,EP,GP,JV	500	9,000	50
E-450 Econoline Super Duty RV Cutaway	03-07	28	65001		500	9,000	20
E-450 Econoline Super Duty RV Cutaway	08-17	19	65053	AI,EP,GP,JV	500	9,000	50
E-450 Econoline Super Duty Stripped RV Cutaway	00-02	28	65001		500	9,000	20
Excursion	00-05	34	65022	AA,KI	500	9,000	40
Expedition	97-02	35	65025	Ø	500	9,000	20
Explorer	91-94	52	65017	Ø	300	9,000	35
Explorer 2 Dr. Sport	01-03	29	65030†	Ø	300	9,000	25
Explorer 4 Dr.	02-05	32	65032†		500	9,000	30
Explorer Sport Trac	01-05	29	65030†	Ø	300	9,000	25
F-150	97-03	35	65025	Ø	500	9,000	20
F-150	04-08	22	65043	Ø	500	9,000	20
F-150	09-14	34	65061	Ø,GP,JV,HB	500	9,000	30
F-150	15-20	31	65067	Ø,GP,JV	500	9,000	30
F-150 Heritage	04	35	65025	Ø	500	9,000	20
F-250	92-97	30	65015	Ø,JW	500	9,000	25
F-250 Styleside	92-97	32	65014	Ø,JT,KB	500	9,000	25
F-250 Styleside	97-98	35	65025	Ø,JW	500	9,000	20
F-250 Styleside	99	35	65025	Ø	500	9,000	20
F-250 Super Duty	99-07	34	65022	AA,KI	500	9,000	40
F-250 Super Duty	08-16	30	65049	Ø,GP,X	500	9,000	20
F-250 Super Duty	17-21	29	65076	Ø,JV	500	9,000	30
F-350	92-97	30	65015	Ø,JW	500	9,000	25
F-350 Styleside	92-97	32	65014	Ø,JT,KB	500	9,000	25
F-350 Super Duty	99-07	34	65022	AA,KI	500	9,000	40
F-350 Super Duty Cab & Chassis, with 34 Wide Frames	99-07	34	65022	AA,KI	500	9,000	40
F-350 Super Duty	08-16	30	65049	Ø,GP,X	500	9,000	20
F-350 Super Duty Cab & Chassis	08-20	30	65049	Ø,GP,X	500	9,000	20
F-350 Super Duty	17-21	29	65076	Ø,JV	500	9,000	30
F-450 Super Duty Cab & Chassis, with 34 Wide Frames	99-07	34	65022	AA,KI	500	9,000	40
F-450 Super Duty	08-16	30	65049	Ø,GP,X	500	9,000	20
F-450 Super Duty Cab & Chassis	08-20	30	65049	Ø,GP,X	500	9,000	20
F-450 Super Duty	17-21	29	65076	Ø,JV	500	9,000	30
F-550 Super Duty Cab & Chassis, with 34 Wide Frames	99-07	34	65022	AA,KI	500	9,000	40
F-550 Super Duty Cab & Chassis	08-20	30	65049	Ø,GP,X	500	9,000	20
Ranger	89-97	52	65017	Ø,JY	300	9,000	35
Ranger	01-05	31	65024		500	9,000	35
<b>GMC</b>							
C1500 2 Dr. Regular & Extended Cabs	88-99	21 46	65005 65021†	JU,JV,KC JV,KD,KE	500 500	9,000 9,000	40 30
C1500 4 Dr. Crew Cab	92-99	46	65021†	JV,KD,KE	500	9,000	30

Make/Model	Years	PC	Part No.	Footnotes	Vert Load	Line Pull	In
<b>GMC (continued)</b>							
K3500 4 Dr. Crew Cab	92-00	21	65005	JU,JV,KC	500	9,000	40
C2500 2 Dr. Regular & Extended Cabs	88-00	21 46	65005 65021†	JU,JV,KC JV,KD,KE	500 500	9,000 9,000	40 30
C2500 4 Dr. Crew Cab	92-00	46	65021†	JV,KD,KE	500	9,000	30
C3500 2 Dr. Regular & Extended Cabs	88-00	21 46	65005 65021†	JU,JV,KC JV,KD,KE	500 500	9,000 9,000	40 30
C3500 4 Dr. Crew Cab	92-00	46	65021†	JV,KD,KE	500	9,000	30
Canyon	15-20	23	65071	Ø,X	500	9,000	30
Jimmy Downsize	95-05	24	65004	JW,JX,X	300	9,000	30
K1500 2 Dr. Regular & Extended Cabs	88-99	21	65005	JU,JV,KC	500	9,000	40
K1500 4 Dr. Crew Cab	92-99	21	65005	JU,JV,KC	500	9,000	40
K2500 4 Dr. Crew Cab	92-00	21	65005	JU,JV,KC	500	9,000	40
Savana 1500 Inc. RV Cutaway	96-03	24	65016	X	500	9,000	35
Savana 2500 Inc. RV Cutaway	96-03	24	65016	X	500	9,000	35
Savana 3500 Inc. RV Cutaway	96-03	24	65016	X	500	9,000	35
Sierra 1500 Except Denali (Classic)	99-07	47	65023		500	9,000	20
Sierra 1500	07-13	30	65052	Ø,GP,X	500	9,000	25
Sierra 1500 LD (Old Body Style)	14-19	30	65064	Ø,GP,X	500	9,000	25
Sierra 1500 HD	01-07	24	65028	HB	500	9,000	20
Sierra 2500	99-04	24	65028	HB	500	9,000	20
Sierra 2500 HD	01-07	24	65028	HB	500	9,000	20
Sierra 2500 HD	07-10	22	65050	Ø,EP,GP,RZ	500	9,000	40
Sierra 2500 HD Except Denali	11-14	24	65078	Ø,GP,EP	500	9,000	45
Sierra 2500 HD Except Denali	15-19	24	65078	Ø,GP,EP	500	9,000	35
Sierra 2500 HD	20-21	25	65083	Ø,X	500	9,000	30
Sierra 3500	01-07	24	65028	HB	500	9,000	20
Sierra 3500 HD	07-10	22	65050	Ø,EP,GP,RZ	500	9,000	40
Sierra 3500 HD Except Denali	11-14	24	65078	Ø,GP,EP	500	9,000	45
Sierra 3500 HD Except Denali	15-19	24	65078	Ø,GP,EP	500	9,000	35
Sierra 3500 HD	20-21	25	65083	Ø,X	500	9,000	30
Sonoma	94-04	24	65004	JW,JX,X	300	9,000	30
Suburban C1500	92-99	21 46	65005 65021†	JU,JV,KC JV,KD	500 500	9,000 9,000	40 30
Suburban C2500	92-99	21 46	65005 65021†	JU,JV,KC JV,KD	500 500	9,000 9,000	40 30
Suburban K1500	92-99	21 46	65005 65021†	JU,JV,KC JV,KD	500 500	9,000 9,000	40 30
Suburban K2500	92-99	21 46	65005 65021†	JU,JV,KC JV,KD	500 500	9,000 9,000	40 30
Yukon	92-00	21	65005	JU,JV	500	9,000	40
Yukon 1500	00-06	47	65023		500	9,000	20
Yukon	07-14	30	65052	Ø,GP,X	500	9,000	25
Yukon	15-20	30	65064	Ø,GP,X	500	9,000	25
Yukon Denali 1500	01-06	47	65023		500	9,000	30
Yukon XL	15-20	30	65064	Ø,GP,X	500	9,000	25
Yukon XL 1500	00-06	47	65023		500	9,000	20
Yukon XL 1500	07-14	30	65052	Ø,GP,X	500	9,000	25
Yukon XL 1500 Denali	01-06	47	65023		500	9,000	30
Yukon XL 2500	00-06	24	65028	HB	500	9,000	20

## FRONT MOUNTED HITCH APPLICATIONS

Make/Model	Years	PC	Part No.	Footnotes	Vert Load	Line Pull	In
<b>HONDA</b>							
Ridgeline	17-20	27	65073	HM,X,SV	500	9,000	35
<b>ISUZU</b>							
Hombre	96-00	24	65004	JW,JX,X	300	9,000	30
<b>JEEP</b>							
Cherokee Downsize	84-01	23	65009	JV	300	9,000	30
Comanche	86-92	23	65009	JV	300	9,000	30
Gladiator	20-21	19	65079	Ø,DU,FE,GP,SV	500	9,000	35
Grand Cherokee	93-98	53	65008	JV	300	9,000	25
Grand Wagoneer	93	53	65008	Ø,JV	300	9,000	25
TJ (Canada Only)	97-06	23	65048	Ø,X	300	9,000	25
Wagoneer	84-90	23	65009	JV	300	9,000	30
Wrangler	87-95	23	65048	Ø,X	300	9,000	25
Wrangler	97-06	23	65048	Ø,X	300	9,000	25
Wrangler	07-17	19	65069	Ø,EP,GP	500	9,000	40
Wrangler JL (New Body Style)	18-21	19	65079	Ø,DU,FE,GP,SV	500	9,000	35
Wrangler JK	18	19	65069	Ø,EP,GP	500	9,000	40
YJ (Canada Only)	87-95	23	65048	Ø,X	300	9,000	25
<b>LINCOLN</b>							
Mark LT	06-08	22	65043	Ø	500	9,000	20
Mark LT (Mexico Only)	10-13	34	65061	Ø,GP,JV	500	9,000	30
Navigator	98-02	35	65025	Ø	500	9,000	20
<b>MAZDA</b>							
B2300	94-97	52	65017	Ø,JY	300	9,000	35
B2300	02-05	31	65024		500	9,000	35
B2500	01	31	65024		500	9,000	35
B3000	94-97	52	65017	Ø,JY	300	9,000	35
B3000	01-05	31	65024		500	9,000	35
B4000	94-97	52	65017	Ø,JY	300	9,000	35
B4000	01-05	31	65024		500	9,000	35
Navajo	91-94	52	65017	Ø,JY	300	9,000	35
<b>MERCURY</b>							
Mountaineer	02-05	32	65032†		500	9,000	30
<b>NISSAN</b>							
Frontier	05-20	24	65075	Ø	500	9,000	35
Pathfinder	05-12	24	65075	Ø	500	9,000	35
Titan 4 WD Only	09-15	44	65065	RB,HM,KG,JW,AL	500	9,000	45
Titan Except Titan XD & 4 WD Models	17-20	30	65077	Ø,SV,GP,X	500	9,000	60
Titan XD	16-21	30	65072	Ø,EP	500	9,000	25
<b>OLDSMOBILE</b>							
Bravada	96-01	24	65004	JW,JX,X	300	9,000	30
<b>RAM</b>							
1500	11-18	32	65062	EP,GP	500	9,000	35
1500 (Classic)	19	32	65062	EP,GP	500	9,000	35
1500 (New Body Style), Except with Factory Tow Hooks	19-21	32	65081	Ø,JV,GP	500	9,000	50
2500 (with Factory Tow Hooks)	11-18	33	65063	Ø,GPTY	500	9,000	30
2500 4 WD	11-12	35	65057	EP,GP,JW	500	9,000	40
2500	19-21	33	65084		500	9,000	

Make/Model	Years	PC	Part No.	Footnotes	Vert Load	Line Pull	In
<b>RAM (continued)</b>							
3500	11-12	38	65060	EP,GP	500	9,000	30
3500 (with Factory Tow Hooks)	11-18	33	65063	Ø,GPTY	500	9,000	30
3500	19-21	33	65084		500	9,000	
4500 Cab & Chassis, (with Factory Tow Hooks)	11-18	33	65063	Ø,GPTY	500	9,000	30
4500	19-21	33	65084		500	9,000	
5500 Cab & Chassis, (with Factory Tow Hooks)	11-18	33	65063	Ø,GPTY	500	9,000	30
5500	19-21	33	65084		500	9,000	
<b>SUZUKI</b>							
Equator Sport & RMZ-4 Models	09-12	24	65075	Ø	500	9,000	35
<b>TOYOTA</b>							
4Runner Except Limited	14-20	34	65074	Ø,HM	500	9,000	20
Sequoia	01-07	30	65031		500	9,000	40
Sequoia	07-20	16	65080	Ø,HM,KG	500	9,000	20
Tacoma	01-04	31	65041		500	9,000	30
Tacoma	05-21	52	65070	Ø,HM,KG	500	9,000	35
Tundra	00-06	30	65031		500	9,000	40
Tundra	07-21	16	65080	Ø,HM,KG	500	9,000	20

### FOOTNOTES

†	Available while supplies last.
AA	Requires temporary removal of bumper during installation.
AI	Additional installation time may be required. Additional installation time required for vehicles equipped with load leveling compressor.
DU	Fascia removal required.
EP	Fascia trimming may be required.
FE	Fascia trimming may be required. Allow additional installation time.
GP	Hitch crosstube concealed behind bumper.
HB	Slight fascia deformation may occur on some models.
HM	Hitch crosstube is visible beneath bumper.
JT	2WD models only.
JU	License plate relocation required to install hitch see 5443. (Sold separately)
JV	Rubber air deflector/fascia must be removed or trimmed to install hitch.
JW	4WD models only.
JX	Requires factory tow hooks for installation on 2WD models.
JY	Extensive fascia cutting required on models with fog lamp option.
KB	Diesel engine models only.
KC	Does not fit 2500/3500 2WD (C-Series) models with 8 lug wheels.
KD	Fits 2500/3500 2WD (C-Series) models with 8 lug wheels only.
KE	Does not fit 1988-91 4 Dr. Crew Cab models.
KG	Skid shield must be removed or modified if present.
KI	Optional OEM Fog Lights must be removed for receiver installation.
Ø	Uses all existing holes. No drilling required.
RB	Hitch installation can be made easier with a cutter type drill bit.
RZ	License plate holder relocation and/or modification required to install hitch (see #49802 or #5443 Sold separately).
SV	Trimming or removal of under body appearance panel may be required.
TY	Requires factory tow hooks for installation.
X	Minor fascia trimming required.

## RECEIVER HITCH APPLICATION GUIDE

Draw-Tite® hitch application guide enables you to find the right towing system components each and every time. These pages have been developed to simplify the look-up of the proper hitch and drawbar, for your customer's vehicle by make, model and year.

MODEL / STYLE	YEAR	PC	REC TYPE	REC SIZE	PART NO.	NO DRILL	FOOTNOTES	TRAILER HITCHES			
								OPTIONAL DRAWBAR	WC (LBS.)	WD (LBS.)	IN
<b>ACURA</b>											
CL 3.2	01-03	18	SQ1	1-1/4	24791	0	JR,HM	3592	200/2,000		15
CSX (Canada Only)	06-11	27	SQ1	1-1/4	24861	0	HM, JR, KH, SV	3593	200/2,000		30
EL (Canada Only)	97-01	29	SQ1	1-1/4	24677	0	HM	3593	200/2,000		15
ILX Except Hybrid	13-20	27	SQ1	1-1/4	24861	0	HM, JR, KH, SV	3593	200/2,000		35
Integra	94-01	22	SQ1	1-1/4	24589	0	HM	3593	200/2,000		40
MDX Except w/Full Size Spare Tire	01-06	31	SQ3	2	75599	0	GP, JR		350/3,500	500/5,000	30
MDX Except w/Full Size Spare Tire or w/Rear Sport Bumper Option	07-12	47	RT3	2	75614	0	CR, JR		400/4,000	500/5,000	35
MDX Except w/Full Size Spare Tire	13-20	37	SQ4	2	75225	0	TA, GP		900/6,000	900/8,000	20
MDX Except w/Full Size Spare Tire or w/Rear Sport Bumper Option	13	47	RT3	2	75614	0	CR, JR		400/4,000	500/5,000	35
RDX	07-09	21	SQ2	1-1/4	364271	0	GP	36061	300/3,500		15
		33	SQ3	2	75563	0	GP		400/4,000		30
RDX	10-12	19	SQ3	2	75784	0	GP		400/4,000		30
RDX	10-20	7690 2	SQ3	2	76902	0	J, JR		525/3,500		30
RDX	13-18	19	SQ3	2	75784	0	GP		400/4,000		30
RDX With +12V Power Provision	19-20	17	SQ2	1-1/4	36114	0	J, JR	36051	300/3,500		30
		19	RT3	2	76268	0	J, R, J		350/3,500		25
RDX Without +12V Power Provision	19-20	17	SQ2	1-1/4	36114	0	J, R, J		300/3,500		25
		19	RT3	2	76268	0	J, R, J		350/3,500		25
RDX With +12V Power Provision	21	17	SQ2	1-1/4	36114	0	J, JR	36051	300/3,500		30
		19	RT3	2	76268	0	J, R, J		350/3,500		25
RDX Without +12V Power Provision	21	17	SQ2	1-1/4	36114	0	J, R, J		300/3,500		25
		19	RT3	2	76268	0	J, R, J		350/3,500		25

### 1). VEHICLE MODEL/STYLE & YEAR RANGE

Applications are separated first by make, and subsequently by model and yearly divisions.

### 2). HITCH FOOTNOTES

Footnotes reference additional information pertinent to the installation and availability of a particular hitch. Common footnotes such as GP (hitch crosstube concealed behind bumper) are listed at the bottom of each I

### 3). DRAW-TITE® HITCH PART NUMBERS

Class I, II, III, IV and V receiver hitches are specific for each individual vehicle. This listing indicates the correct hitch by application.

### 4). DRAWBAR PART NUMBERS

Class I and Class II drawbars are specific for each individual vehicle. This listing indicates the correct drawbar (sold separately) by application.

### 5). PRICE CODES

Price codes reference specific prices found on Hitch and Accessory Price List.

### 6). RECEIVER TYPE

Receiver Type codes are referenced in a Receiver Type footnote box at the bottom of each right hand page.

### 7). NO DRILL

Ø - No drilling

### 8). RECEIVER WEIGHT RATINGS

WC or Weight Carrying, refers to the total load the hitch is capable of pulling, without the use of a weight distributing system. WD or Weight Distributing, is the total load capacity of the hitch when a weight distribution system is properly utilized.

### 9). RECEIVER SIZE

Receiver sizes range from . to 3 in.

### 10). INSTALLATION TIME

Average installation times (IN) are listed in minutes and are published for all hitches and T-One® wiring connectors. Times are based on common mechanical practices and should be used as an estimate as actual installation times may vary in each individual situation.

### 11). ELECTRICAL TYPE

Referenced in the footnotes at the bottom of each right hand page, electrical type codes assist in determining the proper electrical wiring products for the towing vehicle.

### 12). ELECTRICAL POSITIONS

Determining the location of tow vehicle's wiring is becoming increasingly difficult on today's modern vehicles.

NOTE: See Electrical Reference Guide.

## ELECTRICAL APPLICATION GUIDE

Tekonsha® electrical application guide enables you to find the right towing system components each and every time. These pages have been developed to simplify the look-up of the proper electrical connectors and wiring locations for your customer's vehicle by make, model and year

		T-ONE					TOW HARNESS					4-FLAT WIRING				REQ. 4 FLAT WIRING		7-WAY	BRAKE CONTROL		
PC	T-ONE	FN	IN	AMP	CP	PC	TOW HARN	FN	IN	AMP	CP	TYPE	ELEC	POS	CHOICE 1	CHOICE 2	6-WAY ADAPTER	7-WAY ADAPTER	HARDWARE	HARNESS	IN
<b>ACURA</b>																					
E5	118336	HG	5	2.1,5									B	PC3	119130	119178					
													B.E	PC3,4	119191	119148					
													B	PC3	119130	119178					
E18	118627	CH	45	2.1,5.6	X								B.E	PC1,2	119191	119148					
E5	118336	HG	5	2.1,5									B	PC3	119130	119178					
E5	118336	HG	5	2.1,5									B	SUV3	119130	119178	20320	20321	20224		
E11	118424	CH	20	2.1,4.2	X								B.E	SUV1,2	119191	119148	20320	20321	20224		
E11	118628	BN,CH	20	4.2,7.5	X	E23	118289	BN,CH	30	4.2,12	X	7-Way	B.E	SUV3,4	119191	119148	20320	20321	20224	3028-P	5
E11	118424	CH	20	2.1,4.2	X								B.E	SUV1,2	119191	119148	20320	20321	20224	3028-P	5
E11	118500	CH	15	2.1,5.6	X								B.E	SUV1,2	119191	119148	20320	20321	20224		
E11	118500	CH	15	2.1,5.6	X								B.E	SUV1,2	119191	119148	20320	20321	20224		
		CH											B.E	SUV1,2	119191	119148	20320	20321	20224		
E14	118569	CH	15	4.2,7.5	X								B.E	SUV1,2	119191	119148	20320	20321	20224		
E12	118800	CH	25	5.7,5	X								B.E	SUV3	119191	119148	20320	20321	20224		
E13	118804	CH	45	5.7,5	X								B.E	SUV3	119191	119148	20320	20321	20224		
													B.E	SUV3	119191	119148	20320	20321	20224		

### 13). T-ONE® PART NUMBERS

T-One® part numbers are for vehicle specific applications.

### 14). TOW HARNESS PART NUMBERS

OEM replacement harness part numbers are for vehicle specific applications with factory tow packages.

### 15). ELECTRICAL FOOTNOTES

Footnotes reference additional information pertinent to the installation and availability of a particular electrical harness. Footnotes are listed at the bottom of each right hand page.

### 16). AMPERAGE RATING

Amp Rating references the maximum number of amps the Electrical Product will hold for the tow vehicle.

- Stop-Turn Lights - 2 Amps Each
- Tail Lights - 1 Amp Each
- Clearance and Marker Lights - 1/4 to 1/2 Amp Each

### 17). CIRCUIT PROTECTION

Tekonsha recommends circuit protection on vehicles with 3 wire systems for extra safety.

### 18). OEM CONNECTOR TYPE

Tow Harness Connector type references the type of connector. Example: 4-Flat.

### 19). HARDWIRE CHOICE 1

The ModuLite® with short circuit protector, adds integrated short circuit protection that safeguards itself and the tow vehicle against harmful electrical shorts and mis-wire situations.

### 20). HARDWIRE CHOICE 2

Easy do-it-yourself tow vehicle wiring kits.

### 21). 6-WAY ADAPTERS

Used to convert any trailer wiring component, T-One® or tail light converter with a 4-Flat car end connector to a 6-Way round connector.

### 22). 7-WAY ADAPTERS

Used to convert any trailer wiring component, T-One® or tail light converter with a 4-Flat car end connector to a 7-Way round connector.

### 23). 7-WAY HARDWARE

Easy do-it-yourself tow vehicle 7-Way connector wiring kit.

### 24). BRAKE CONTROL HARNESSES

Brake control harnesses are vehicle specific and designed for quick, easy installation.

# RECEIVER HITCH APPLICATIONS

RECEIVER HITCHES

A - ACURA

MODEL / STYLE	YEAR	TRAILER HITCHES									
		PC	REC TYPE	REC SIZE	PART NO.	NO DRILL	FOOTNOTES	OPTIONAL DRAWBAR	WC (LBS.)	WD (LBS.)	IN
<i>For vehicles prior to 2001,</i>											
<b>ACURA</b>											
CL 3.2	01-03	18	SQ1	1-1/4	24791	0	JR, HM	3592	200/2,000		15
CSX (Canada Only)	06-11	27	SQ1	1-1/4	24861	0	HM, JR, KH, SV	3593	200/2,000		30
EL (Canada Only)	97-01	29	SQ1	1-1/4	24677	0	HM	3593	200/2,000		15
ILX Except Hybrid	13-20	27	SQ1	1-1/4	24861	0	HM, JR, KH, SV	3593	200/2,000		35
Integra	94-01	22	SQ1	1-1/4	24589	0	HM	3593	200/2,000		40
MDX Except w/Full Size Spare Tire	01-06	31	SQ3	2	75599	0	GP, JR		350/3,500	500/5,000	30
MDX Except w/Full Size Spare Tire or w/Rear Sport Bumper Option	07-12	47	RT3	2	75614	0	CR, JR		400/4,000	500/5,000	35
MDX Except w/Full Size Spare Tire	13-20	37	SQ4	2	75225	0	TA, GP		900/6,000	900/8,000	20
MDX Except w/Full Size Spare Tire or w/Rear Sport Bumper Option	13	47	RT3	2	75614	0	CR, JR		400/4,000	500/5,000	35
RDX	07-09	21	SQ2	1-1/4	36427†	0	GP	36061	300/3,500		15
		33	SQ3	2	75563	0	GP		400/4,000		30
RDX	10-12	19	SQ3	2	75784	0	GP		400/4,000		30
RDX	10-20	76902	SQ3	2	76902	0	J, JR		525/3,500		30
RDX	13-18	19	SQ3	2	75784	0	GP		400/4,000		30
RDX With +12V Power Provision	19-20	17	SQ2	1-1/4	36114	0	J, JR	36051	300/3,500		30
		19	RT3	2	76268	0	JR, J		350/3,500		25
RDX Without +12V Power Provision	19-20	17	SQ2	1-1/4	36114	0	JR, J		300/3,500		25
		19	RT3	2	76268	0	JR, J		350/3,500		25
RDX With +12V Power Provision	21	17	SQ2	1-1/4	36114	0	J, JR	36051	300/3,500		30
		19	RT3	2	76268	0	JR, J		350/3,500		25
RDX Without +12V Power Provision	21	17	SQ2	1-1/4	36114	0	JR, J		300/3,500		25
		19	RT3	2	76268	0	JR, J		350/3,500		25
RL 3.5	96-01	41	SQ2	1-1/4	36226†		†, GP	36061	300/3,500		30
RL 3.5	02-04	41	SQ2	1-1/4	36226†		†, GP	36061	300/3,500		30
RLX	14-17	46	SQ2	1-1/4	36541†	0	DU, EP, GP, SV, TA	36071	300/3,500		60
RLX	18-20	46	SQ2	1-1/4	36541†	0	DU, EP, GP, SV, TA	36071	300/3,500		60
RSX	02-06	20	SQ1	1-1/4	24719		TA, GP	3593	200/2,000		30
SLX	96-99	41	SQ3	2	75043†		†, HM		500/5,000	750/7,500	40
TL 3.2	99-03	18	SQ1	1-1/4	24791	0	JR, HM	3592	200/2,000		15
TL	04-08	18	SQ1	1-1/4	24755		TA, GP	3594	200/2,000		35
TL	09-14	19	SQ1	1-1/4	24899	0	HM, JR, KH, SV	3593	200/2,000		45
TLX	15-19	29	SQ1	1-1/4	24942	0	DU, EP, GP, TA	3593	200/2,000		60
TSX 4 Dr. Sedan	06-08	25	SQ1	1-1/4	24768†	0	†, HM, JR	3593	200/2,000		40
TSX 4 Dr. Sedan	09-14	19	SQ1	1-1/4	24899	0	HM, JR, KH, SV	3593	200/2,000		45
ZDX	10-13	25	SQ1	1-1/4	24854†	0	†, GP, I	3590	200/2,000		25
<b>ALFA ROMEO</b>											
Stelvio Except Quadrifoglio	18-20	47	SQ3	2	76199	0	GP, DU, X, TA, TZ, TW		600/4,000		80
<b>AUDI</b>											
A3 Except Sportback e-tron	15-20	27	SQ1	1-1/4	24930	0	GP	3594	200/2,000		20
A4 4 Dr. Sedan	09-20	23	SQ1	1-1/4	24950	0	X, GP, SV	3593	200/2,000		25
A6 4 Dr. Sedan	05-11	25	SQ1	1-1/4	24836	0	HM, JR	3593	200/2,000		25
A6 Quattro Avant Wagon	06-10	25	SQ1	1-1/4	24836	0	HM, JR	3593	200/2,000		25
Q3	13-18	40	SQ3	2	75218	0	DU, EP, GP		450/4,500		50
Q5	11-12	34	SQ3	2	75940	0	DU, EP, GP, TA		750/5,000		60
Q5	13-17	34	SQ3	2	75940	0	DU, EP, GP, TA		750/5,000		60
Q5	18	34	SQ3	2	76183	0	GP, DU, X, TA, TZ, TW		750/5,000		90
Q5	18-20	76911	SQ3	2	76911	0	DU, GP, TA, TW, TZ, X, 0				90
Q5	19-20	34	SQ3	2	76183	0	GP, DU, X, TA, TZ, TW		750/5,000		90
Q7	07-16	45	SQ4	2	75950	0	AI, GP, X		750/7,500		70

GP	Hitch cross tube concealed behind bumper.
0	Hitch cross tube is visible beneath bumper.
TA	Hitch is positioned further rearward to accommodate spare tire.
TW	Under vehicle spare tire stowage is retained.
TZ	Exhaust must be temporarily lowered for installation.
X	Minor heat shield modification may be required.
†	Available while supply lasts.
AI	Additional installation time may be required.
CR	Fits with mini spare tire stowed under vehicle. Will not fit with full size spare.
DU	Fascia removal required.
EP	Fascia trimming may be required.
GP	Hitch cross tube concealed behind bumper.
HM	Hitch cross tube is visible beneath bumper.
I	Hitch is positioned further rearward to accommodate spare tire.
J	Under vehicle spare tire stowage is retained.
JR	Exhaust must be temporarily lowered for installation.
KH	Minor heat shield modification may be required.
SV	Trimming or removal of under body appearance panel may be required.
TA	Trunk access required for hitch installation.
TW	Receiver hitch may limit hands-free liftgate sensor range
TZ	Requires replacement of the impact structure with hitch.
X	Minor fascia trimming required.

T-ONE						TOW HARNESS					4-FLAT WIRING				REQ. 4 FLAT WIRING		7-WAY HARDWIRE	BRAKE CONTROL HARNESS	IN		
PC	T-ONE	FN	IN	AMP	CP	PC	TOW HARN	FN	IN	AMP	CP	TYPE	ELEC	POS	CHOICE 1	CHOICE 2				6-WAY ADAPTER	7-WAY ADAPTER
<b>ACURA</b>																					
E5	118336	HG	5	2.1,5									B	PC3	119130	119178					
													B,E	PC3,4	119191	119148					
													B	PC3	119130	119178					
E18	118627	CH	45	2.1,5.6	X								B,E	PC1,2	119191	119148					
E5	118336	HG	5	2.1,5									B	PC3	119130	119178					
E5	118336	HG	5	2.1,5									B	SUV3	119130	119178	20320	20321	20224		
E11	118424	CH	20	2.1,4.2	X								B,E	SUV1,2	119191	119148	20320	20321	20224		
E11	118628	BN,CH	20	4.2,7.5	X	E23	118289	BN,CH	30	4.2,12	X	7-Way	B,E	SUV3,4	119191	119148	20320	20321	20224	3028-P	5
E11	118424	CH	20	2.1,4.2	X								B,E	SUV1,2	119191	119148	20320	20321	20224	3028-P	5
E11	118500	CH	15	2.1,5.6	X								B,E	SUV1,2	119191	119148	20320	20321	20224		
E11	118500	CH	15	2.1,5.6	X								B,E	SUV1,2	119191	119148	20320	20321	20224		
		CH											B,E	SUV1,2	119191	119148	20320	20321	20224		
E14	118569	CH	15	4.2,7.5	X								B,E	SUV1,2	119191	119148	20320	20321	20224		
E12	118800	CH	25	5.7,5	X								B,E	SUV3	119191	119148	20320	20321	20224		
E13	118804	CH	45	5.7,5	X								B,E	SUV3	119191	119148	20320	20321	20224		
													B,E	SUV3	119191	119148	20320	20321	20224		
													B,E	SUV3	119191	119148	20320	20321	20224		
E5	118336	HG	5	2.1,5									B	PC3	119130	119178					
													B	PC3	119130	119178					
E16	118626	CH	45	2.1,5.6	X								B,E	PC3,4	119191	119148	20320	20321	20224		
													B,E	PC3,4	119191	119148					
													B	PC3	119130	119178					
E7	118339	BN,HG	5	2.1,5									B	SUV5	119130	119178	20320	20321	20224		
E5	118336	HG	5	2.1,5									B	PC3	119130	119178					
E11	118489	HG	10	2.1,7.5									B,E	PC3,4	119191	119148					
E19	118537	CH	45	2.1,5.6	X								B,E	PC3,4	119191	119148					
E18	118697	CH	45	5.7,5	X								B,E	PC1,2	119191	119148					
E11	118302	HG	10	2.1,4.2									B	PC3	119130	119178					
E14	118420	CG	15	2.1,5	X								B,E	PC3,4	119191	119148					
E13	118503	CH	30	2.1,5.6	X								B,E	SUV9	119191	119148					
<b>ALFA ROMEO</b>																					
E27	118777	CH	45	5.7,5	X								A,E	SUV1,2							
<b>AUDI</b>																					
													C,E	PC3,4	119191	119148					
													BTT	PC1,2	119192	119191					
													BT	PC1,2	119251	119191					
													BM	PC1,2	119251	119191					
													BT	SUV9	119251	119191					
													BT	SUV1,2	119251	119191	20320	20321	20224		
													A,E	SUV1,2	119191	119148	20320	20321	20224		
													A,E	SUV3	119191	119148	20320	20321	20224	3072-P	5
													A,E,NZ	SUV1	119191	119148	20320	20321	20224	3072-P	5
													A,E,NZ	SUV3	119191	119148	20320	20321	20224	3072-P	5
													B,E	SUV1,2	119191	119148	20320	20321	20224	3072-P	5

- A** 2 wire system.
- B** 3 wire system. Converter required.
- BM** Multiplexed wiring system. ModuLite® HD Plus or Ultra required.
- BN** Exterior mounted plug on some or all models. May require an aftermarket electrical mounting box or bracket. (Sold separately)
- BT** Shared Brake/Tail multiplexed wiring system. ModuLite® HD Plus or Ultra required.
- BTT** Shared Brake/Tail/Turn multiplexed wiring system. ModuLite® HD Plus or Ultra required.
- C** 2 or 3 wire system determine at installation.
- CG** T-One incorporates circuit protected taillight converter.
- CH** T-One is equipped with circuit protected ModuLite® module.
- E** ModuLite® required.
- HG** T-One incorporates taillight converter.
- NZ** DO NOT use ZCI with this application. Please use other approved kit or contact dealer.

- RT3** Round Tube Class III 2"
- SQ1** Square Tube Class I
- SQ2** Square Tube Class II
- SQ3** Square Tube Class III
- SQ4** Square Tube Class IV

**RECEIVER HITCH APPLICATIONS**

MODEL / STYLE	YEAR	TRAILER HITCHES									
		PC	REC TYPE	REC SIZE	PART NO.	NO DRILL	FOOTNOTES	OPTIONAL DRAWBAR	WC (LBS.)	WD (LBS.)	IN
<i>For vehicles prior to 2001,</i>											
<b>AUDI (Continued)</b>											
SQ5	18-20	34	SQ3	2	76183	0	GP,DU,X,TA,TZ,TW		750/5,000		90
<b>BMW</b>											
320i	12-14	24	SQ1	1-1/4	24945	0	DU,GP,SV,KH	3593	200/2,000		50
320i	15	24	SQ1	1-1/4	24945	0	DU,GP,SV,KH	3593	200/2,000		50
320i	16-17	24	SQ1	1-1/4	24945	0	DU,GP,SV,KH	3593	200/2,000		50
320i	18										
320i xDrive	12-14	24	SQ1	1-1/4	24945	0	DU,GP,SV,KH	3593	200/2,000		50
320i xDrive	15	24	SQ1	1-1/4	24945	0	DU,GP,SV,KH	3593	200/2,000		50
320i xDrive	16-17	24	SQ1	1-1/4	24945	0	DU,GP,SV,KH	3593	200/2,000		50
328d	12-14	24	SQ1	1-1/4	24945	0	DU,GP,SV,KH	3593	200/2,000		50
328d	15	24	SQ1	1-1/4	24945	0	DU,GP,SV,KH	3593	200/2,000		50
328d	16	24	SQ1	1-1/4	24945	0	DU,GP,SV,KH	3593	200/2,000		50
328d xDrive Sedan	12-14	24	SQ1	1-1/4	24945	0	DU,GP,SV,KH	3593	200/2,000		50
328d xDrive Sports Wagon	12-16	24	SQ1	1-1/4	24945	0	DU,GP,SV,KH	3593	200/2,000		50
328d xDrive Sedan	15	24	SQ1	1-1/4	24945	0	DU,GP,SV,KH	3593	200/2,000		50
328d xDrive Sedan	16	24	SQ1	1-1/4	24945	0	DU,GP,SV,KH	3593	200/2,000		50
328i Sedan	07-11	43	SQ1	1-1/4	24857	0	GP,SV	3593	200/2,000		45
328i Sedan	12-14	24	SQ1	1-1/4	24945	0	DU,GP,SV,KH	3593	200/2,000		50
328i Sedan	15	24	SQ1	1-1/4	24945	0	DU,GP,SV,KH	3593	200/2,000		50
328i Sedan	16	24	SQ1	1-1/4	24945	0	DU,GP,SV,KH	3593	200/2,000		50
328i GT xDrive	16										
328i xDrive Sedan	07-11	43	SQ1	1-1/4	24857	0	GP,SV	3593	200/2,000		45
328i xDrive	16										
328xi Sedan	07-08	43	SQ1	1-1/4	24857	0	GP,SV	3593	200/2,000		45
330e	16										
330i	16-20										
335i xDrive Sedan	12-14	24	SQ1	1-1/4	24945	0	DU,GP,SV,KH	3593	200/2,000		50
340i	16-20										
340i xDrive	16-20										
528i	15-16	32	SQ1	1-1/4	24936	0	GP,SV,TA,AA	3593	200/2,000		50
528i xDrive	15-16	32	SQ1	1-1/4	24936	0	GP,SV,TA,AA	3593	200/2,000		50
535d	15-16	32	SQ1	1-1/4	24936	0	GP,SV,TA,AA	3593	200/2,000		50
535d xDrive	15-16	32	SQ1	1-1/4	24936	0	GP,SV,TA,AA	3593	200/2,000		50
535i	15-16	32	SQ1	1-1/4	24936	0	GP,SV,TA,AA	3593	200/2,000		50
535i GT	15-17	32	SQ1	1-1/4	24936	0	GP,SV,TA,AA	3593	200/2,000		50
535i GT xDrive	15-17	32	SQ1	1-1/4	24936	0	GP,SV,TA,AA	3593	200/2,000		50
535i xDrive	15-16	32	SQ1	1-1/4	24936	0	GP,SV,TA,AA	3593	200/2,000		50
550i	15-16	32	SQ1	1-1/4	24936	0	GP,SV,TA,AA	3593	200/2,000		50
550i GT	15	32	SQ1	1-1/4	24936	0	GP,SV,TA,AA	3593	200/2,000		50
550i GT xDrive	15-17	32	SQ1	1-1/4	24936	0	GP,SV,TA,AA	3593	200/2,000		50
550i xDrive	15-16	32	SQ1	1-1/4	24936	0	GP,SV,TA,AA	3593	200/2,000		50
X1 w/Panoramic Moonroof	13-14	33	SQ3	2	75761	0	GP,JR		400/3,500	400/4,000	60
X1 w/Panoramic Moonroof	15	33	SQ3	2	75761	0	GP,JR		400/3,500	400/4,000	60
X1	16-17	25	SQ3	2	76018		GP,JR,DU,KH		675/4,500	675/4,500	40
X1	18-19	25	SQ3	2	76018		GP,JR,DU,KH		675/4,500	675/4,500	40
X2	18-20	35	SQ3	2	76200	0	GP,AA,TA		525/3,500		80
X3	04-10	25	SQ3	2	75371		AA,EP		350/3,500	400/4,000	100
X3	11-17	7690	SQ3	2	76906	0	GP,SV		450/4,500		90
		6	SQ3	2	76226	0	DU,AA,GP,SV,TA		750/5,000		75
X3	18-20	7690	SQ3	2	76906	0	GP,SV		450/4,500		90
X3	18-21	36	SQ3	2	76226	0	DU,AA,GP,SV,TA		750/5,000		75

- |   |   |
|---|---|
| <b>AA</b> Requires temporary removal of bumper during installation. | <b>SV</b> Trimming or removal of under body appearance panel may be required. |
| <b>DU</b> Fascia removal required.                                  | <b>TA</b> Trunk access required for hitch installation.                       |
| <b>EP</b> Fascia trimming may be required.                          | <b>TW</b> Receiver hitch may limit hands-free liftgate sensor range           |
| <b>GP</b> Hitch crosstube concealed behind bumper.                  | <b>TZ</b> Requires replacement of the impact structure with hitch.            |
| <b>JR</b> Exhaust must be temporarily lowered for installation.     | <b>X</b> Minor fascia trimming required.                                      |
| <b>KH</b> Minor heat shield modification may be required.           |   |

T-ONE						TOW HARNESS					4-FLAT WIRING				REQ. 4 FLAT WIRING		7-WAY HARDWARE	BRAKE CONTROL HARNESS	IN		
PC	T-ONE	FN	IN	AMP	CP	PC	TOW HARN	FN	IN	AMP	CP	TYPE	ELEC	POS	CHOICE 1	CHOICE 2				6-WAY ADAPTER	7-WAY ADAPTER
AUDI (Continued)																					
													A,E	SUV3	119191	119148	20320	20321	20224	3072-P	5
BMW																					
													B,M	PC3,4	119251	119191					
													B,E	PC3,4	119191	119148					
E23	118713	CH,BN	45	4,2,7,5	X								B,E	PC3,4	119191	119148					
E23	118713	CH,BN	45	4,2,7,5	X								B,E	PC3,4							
													BM	PC3,4	119251	119191					
													B,E	PC3,4	119191	119148					
E23	118713	CH,BN	45	4,2,7,5	X								B,E	PC3,4	119191	119148					
													BM	PC3,4	119251	119191					
													B,E	PC3,4	119191	119148					
E23	118713	CH,BN	45	4,2,7,5	X								B,E	PC3,4	119191	119148					
													BM	PC3,4	119251	119191					
													B,E	PC3,4	119191	119148					
E23	118713	CH,BN	45	4,2,7,5	X								B,E	PC3,4	119191	119148					
E23	118713	CH,BN	45	4,2,7,5	X								B,E	PC3,4	119191	119148					
													BM	PC3,4	119251	119191					
													B,E	PC3,4	119191	119148					
E23	118713	CH,BN	45	4,2,7,5	X								B,E	PC3,4	119191	119148					
E23	118713	CH,BN	45	4,2,7,5	X								B,E	PC3,4	119191	119148					
													BM	PC3,4	119251	119191					
													B,E	PC3,4	119191	119148					
													BTT	PC1,2	119251	119191					
													BTT	PC1,2	119251	119191					
													BTT	PC1,2	119251	119191					
													BTT	PC1,2	119251	119191					
													BTT	PC1,2	119251	119191					
													BTT	PC1,2	119251	119191					
													BTT	PC1,2	119251	119191					
													BTT	PC1,2	119251	119191					
													BTT	PC1,2	119251	119191					
													BTT	PC1,2	119251	119191					
													BTT	PC1,2	119251	119191					
													BTT	PC1,2	119251	119191					
													BTT	PC1,2	119251	119191					
													BTT	PC1,2	119251	119191					
													BTT	PC1,2	119251	119191					
													BTT	PC1,2	119251	119191					
													BTT	PC1,2	119251	119191					
													BTT	PC1,2	119251	119191					
													BTT	PC1,2	119251	119191					
													BTT	PC1,2	119251	119191					
													BTT	PC1,2	119251	119191					
													BTT	PC1,2	119251	119191					
													BTT	PC1,2	119251	119191					
													BTT	PC1,2	119251	119191					
													BTT	PC1,2	119251	119191					
													BTT	PC1,2	119251	119191					
													BTT	PC1,2	119251	119191					
													BTT	PC1,2	119251	119191					
													BTT	PC1,2	119251	119191					
													BTT	PC1,2	119251	119191					
													BTT	PC1,2	119251	119191					
													BTT	PC1,2	119251	119191					
													BTT	PC1,2	119251	119191					
													BTT	PC1,2	119251	119191					
													BTT	PC1,2	119251	119191					
													BTT	PC1,2	119251	119191					
													BTT	PC1,2	119251	119191					
													BTT	PC1,2	119251	119191					
													BTT	PC1,2	119251	119191					
													BTT	PC1,2	119251	119191					
													BTT	PC1,2	119251	119191					
													BTT	PC1,2	119251	119191					
													BTT	PC1,2	119251	119191					
													BTT	PC1,2	119251	119191					
													BTT	PC1,2	119251	119191					
													BTT	PC1,2	119251	119191					
													BTT	PC1,2	119251	119191					
													BTT	PC1,2	119251	119191					
													BTT	PC1,2	119251	119191					
													BTT	PC1,2	119251	119191					
													BTT	PC1,2	119251	119191					
													BTT	PC1,2	119251	119191					
													BTT	PC1,2	119251	119191					
													BTT	PC1,2	119251	119191					
													BTT	PC1,2	119251	119191					
													BTT	PC1,2	119251	119191					
													BTT	PC1,2	119251	119191					
													BTT	PC1,2	119251	119191					
													BTT	PC1,2	119251	119191					
													BTT	PC1,2	119251	119191					
													BTT	PC1,2	119251	119191					
													BTT	PC1,2	119251	119191					
													BTT	PC1,2	119251	119191					
													BTT	PC1,2	119251	119191					



# RECEIVER HITCH APPLICATIONS

RECEIVER HITCHES

MODEL / STYLE	YEAR	TRAILER HITCHES									
		PC	REC TYPE	REC SIZE	PART NO.	NO DRILL	FOOTNOTES	OPTIONAL DRAWBAR	WC (LBS.)	WD (LBS.)	IN
<i>For vehicles prior to 2001,</i>											
<b>BMW (Continued)</b>											
X5 Except M Sport Package	07-18	76903	SQ3	2	76903	0	AA,EP,GP				90
		51	SQ4	2	75600	0	AA,EP,GP		600/6,000	600/6,000	75
X5 Except M Sport Package	19-20	76908	SQ3	2	76908	0	AA,EU,EP,GP,JP,TA,0				90
		51	SQ3	2	76288	0	GP,JP,AA,EP,DU,TA		720/7,200	720/7,200	90
<b>BUICK</b>											
Allure (Canada Only)	05-09	37	SQ2	1-1/4	36374		GP,JP	36061	300/3,500		30
Cascada	16-19	28	SQ1	1-1/4	24955†	0	HM	3593	200/2,000		15
Century Sedan	97-05	24	SQ1	1-1/4	24659		TA,GP	3592	200/2,000		30
		37	SQ2	1-1/4	36374		GP,JP	36061	300/3,500		30
Enclave	08-12	19	RT3	2	75528	0	GP,JP,TN		750/5,000	750/7,500	25
Enclave w/Factory 7-Way	08-12										
Enclave	13-17	19	RT3	2	75528	0	GP,JP,TN		750/5,000	750/7,500	25
Enclave	18-20	30	SQ3	2	76184	0	DU,JP		750/5,000	750/5,000	75
Enclave	21	30	SQ3	2	76184	0	DU,JP		750/5,000	750/5,000	75
Encore	13-16	25	RT2	1-1/4	36554	0	HM,JP	36061	300/3,500		40
Encore Except Encore GX	17-21	25	RT2	1-1/4	36554	0	HM,JP	36061	300/3,500		40
Envision	16-18	24	SQ3	2	76080	0	AA,DU,GP,TA		675/4,500		45
Envision	19										
Envision		24	SQ3	2	76300	0	AA,DU,GP,TA		675/4,500		25
LaCrosse Except Super	05-09	37	SQ2	1-1/4	36374		GP,JP	36061	300/3,500		30
LaCrosse	10-13	46	SQ2	1-1/4	36522†		†,HM	36061	300/3,500		25
LaCrosse	10-16	42	SQ2	1-1/4	36538	0	HM	36061	300/3,500		35
LaCrosse AWD	10-12	58	SQ2	1-1/4	36519†		†,HM	36061	300/3,500		25
LaCrosse FWD	10-12	58	SQ2	1-1/4	36519†	0	†,HM	36061	300/3,500		20
LaCrosse	14	47	SQ2	1-1/4	36546†	0	†,HM	36061	300/3,500		30
LaCrosse	17-20	23	SQ2	1-1/4	36594†	0	†,GP,JP,AA,DU,X,TA	36071	300/3,500		80
		20	SQ2	1-1/4	36652	0	GP,JP,AA,DU,X,TA	36071	350/3,500		80
LeSabre	00-05	39	SQ2	1-1/4	36309		HM,JP	36063	300/3,500		30
Lucerne Except Super & Special Edition	06-09	39	SQ2	1-1/4	36309		HM,JP,KH	36063	300/3,500		30
Lucerne Super & Special Edition	08-09	25	SQ2	1-1/4	36502	0	HM,JP	36063	300/3,500		25
Lucerne	10-11	25	SQ2	1-1/4	36502	0	HM,JP	36063	300/3,500		25
Park Avenue	97-04	47	SQ2	1-1/4	36245†		JP,GP	36061	300/3,500		40
Rainier w/Factory 7-Way	04-07										
Regal (App. starts with 97-1/2)	97-04	27	SQ1	1-1/4	24660	0	TA,GP	3594	200/2,000		20
		51	SQ2	1-1/4	36241		JP,GP	36065	300/3,500		35
Regal	11-13	42	SQ2	1-1/4	36538	0	HM	36061	300/3,500		35
Regal Except GS	11-13	58	SQ2	1-1/4	36519†	0	†,HM	36061	300/3,500		20
		46	SQ2	1-1/4	36522†	0	†,HM	36061	300/3,500		20
Regal	14-17	42	SQ2	1-1/4	36538	0	HM	36061	300/3,500		35
Regal Sportback	18-20	20	SQ2	1-1/4	36652	0	GP,JP,AA,DU,X,TA	36071	350/3,500		80
Regal TourX	18-20	41	SQ2	1-1/4	36661	0	EP,GP,JP,KH	36071	350/3,500		30
Rendezvous	02-07	34	SQ2	1-1/4	36425		HM	36071	300/3,500		40
		32	SQ3	2	75138	0			350/3,500		55
		28	SQ3	2	75430		HM		350/3,500		40
Terraza	05-07	27	SQ2	1-1/4	36361		AL,GP,JP	36061	300/3,500		40
		22	SQ3	2	75278		AL,GP,JP		350/3,500	500/5,000	40

EP	DU	Fascia removal required.
EU	EP	Fascia trimming may be required.
GP	GP	Hitch cross-tube concealed behind bumper.
JP	HM	Hitch cross-tube is visible beneath bumper.
0	JP	Exhaust must be temporarily lowered for installation.
TA	KH	Minor heat shield modification may be required.
†	QW	Will not fit vehicles with dual exhaust.
AA	TA	Trunk access required for hitch installation.
AL	TN	Hitches produced before 07/09/12 are rated at 500/5000 WC & 500/5000 WD.
AW	X	Minor fascia trimming required.

T-ONE						TOW HARNESS						4-FLAT WIRING				REQ. 4 FLAT WIRING		7-WAY HARDWIRE	BRAKE CONTROL HARNESS	IN		
PC	T-ONE	FN	IN	AMP	CP	PC	TOW HARN	FN	IN	AMP	CP	TYPE	ELEC	POS	CHOICE 1	CHOICE 2	6-WAY ADAPTER				7-WAY ADAPTER	
<b>BMW (Continued)</b>																						
													E	SUV3	119191	119148	20320	20321	20224	3037-P	90	
													B,E	SUV3	119191	119251						
<b>BUICK</b>																						
													A	PC3,4	119148	20252						
													B,E	PC1,2								
													A	PC3,4	119148	20252						
E7	118450	BN	10	7.5		E8	118384	BN,RD	5	7.5		4-Flat	N	SUV1,2		119251	20320	20321		3026-P	5	
							8551511	RD				7-Way	A	SUV6							3026-P	5
							85219	RD	5			7-Way										
						E12	22111	BN	25			7-Way										
E10	118270	BN	20	7.5		E16	118271	BN	20			7-Way	B,E	SUV1,2	119191	119148	20320	20321	20224	3026-P	5	
E4	118761	BN,CH	15	7.5	X	E9	118287	BN	15			7-Way	A	SUV5								
E4	118761	BN,CH	15	7.5	X								A	SUV5								
E16	118588	CH	45	4.2,7.5	X								B,E	SUV3,4	119191	119148	20320	20321				
E16	118745	CH	45	4.2,7.5	X								B,E	SUV3,4								
E5	118725	BN	15	7.5	X								A	SUV5	119148	20252						
E5	118725	BN	15	7.5	X								A	SUV5	119148	20252						
E9	118479		10	7.5									A	PC3,4	119148	20252						
E18	118497	CH	45	2.1,5.6	X								B,E	PC1,2	119191	119148						
E18	118497	C,H	45	2.1,5.6	X								B,E	PC3,4	119191	119148						
E18	118497	CH	45	2.1,5.6	X								B,E	PC1,2	119191	119148						
E18	118497	CH	45	2.1,5.6	X								B,E	PC1,2	119191	119148						
E18	118497	CH	45	2.1,5.6	X								B,E	PC1,2	119191	119148						
E15	118733	CH	45	5.7,5	X								A,E	PC3,4	119191	119148						
													A,E	PC3,4	119191	119148						
E5	118419		10	7.5									A	PC3,4	119148	20252						
E5	118419		10	7.5									A	PC3,4	119148	20252						
E5	118419		10	7.5									A	PC3,4	119148	20252						
													A	PC3,4	119148	20252						
													B	PC3,4	119130	119178						
						E8	118384	BN,RD	5	7.5		4-Flat	H	SUV6	119148	20252						
							74682	RD	10			Both										
							8551511	RD				7-Way										
							85219	RD	5			7-Way										
													A	PC3,4	119148	20252						
E18	118504	CH	45	2.1,5.6	X								A,E	PC3,4	119191	119148						
E18	118504	CH	45	2.1,5.6	X								A,E	PC1,2	119191	119148						
E18	118639	CH	45	2.1,5.6	X								B,E	PC3,4	119191	119148						
E16	118783	CH,BN	45	5.7,5	X								A,E	PC3,4								
E16	118783	CH,BN	45	5.7,5	X								A,E	PC3,4								
E10	118383	BN	20	7.5									A	SUV1,2	119148	20252	20320	20321	20224			
E10	118396	BN	15	7.5									A	SUV1,2	119148	20252	20320	20321	20224			

**A** 2 wire system.  
**B** 3 wire system. Converter required.  
**BN** Exterior mounted plug on some or all models. May require an aftermarket electrical mounting box or bracket. (Sold separately)  
**C** 2 or 3 wire system determine at installation.  
**CH** T-One is equipped with circuit protected ModuLite® module.

**E** ModuLite® required.  
**H** 3 wire system with OEM standard 2 wire harness.  
**N** DO NOT cut or splice vehicle wiring. Only use approved T-One or see auto dealer for trailer tow wiring kit.  
**RD** For vehicles equipped with factory tow package may require additional components or may be used as a replacement harness.

**RT2** Round Tube Class II 1-1/4"  
**RT3** Round Tube Class III 2"  
**SQ1** Square Tube Class I  
**SQ2** Square Tube Class II  
**SQ3** Square Tube Class III  
**SQ4** Square Tube Class IV

# RECEIVER HITCH APPLICATIONS

RECEIVER HITCHES

C - CADILLAC

MODEL / STYLE	YEAR	TRAILER HITCHES									
		PC	REC TYPE	REC SIZE	PART NO.	NO DRILL	FOOTNOTES	OPTIONAL DRAWBAR	WC (LBS.)	WD (LBS.)	IN
<b>CADILLAC</b>											
ATS Except ATS-V	13-20	29	SQ1	1-1/4	24924	0	GP	3594	200/2,000		30
CTS	03-07	33	SQ1	1-1/4	24767		JR,TA,HM	3594	200/2,000		45
CTS 4 Dr. Sedan	08-13	33	SQ1	1-1/4	24767		JR,TA,HM	3594	200/2,000		45
CTS 4 Dr. Sedan	14-15	30	SQ1	1-1/4	24927†		GP,JR,KH,TA	3593	200/2,000		60
CTS 4 Dr. Sedan, Except CTS-V	16-20	30	SQ1	1-1/4	24927†		GP,JR,KH,TA	3593	200/2,000		60
CTS V	04-07	33	SQ1	1-1/4	24767		JR,TA,HM	3594	200/2,000		45
CTS V 4 Dr. Sedan	09-13	33	SQ1	1-1/4	24767		JR,TA,HM	3594	200/2,000		45
DeVille	97-99	50	SQ2	1-1/4	36267†		†,JR,GP	36063	300/3,500		20
DeVille	00-05	33	SQ2	1-1/4	36287	0	GP	36071	300/3,500		20
DTS	06-11	33	SQ2	1-1/4	36287	0	GP	36071	300/3,500		20
Escalade	99-00	35	SQ3	2	75037		HM		500/5,000	750/7,500	30
		41	SQ4	2	41511		HM		600/6,000	1,000/10,000	30
Escalade	02	29	RT4	2	75725	0	CN,HM		900/6,000	1,000/10,000	15
Escalade w/Factory 7-Way	02-11										
Escalade	03-06	32	SQ4	2	75172†	0	CN		600/6,000	750/7,500	30
Escalade	07-14										
Escalade	15-20										
Escalade	17-20										
Escalade ESV	03-06	32	SQ4	2	75172†	0	CN		600/6,000	750/7,500	30
Escalade ESV w/Factory 7-Way	03-11										
Escalade ESV w/Factory 7-Way	07-11										
Escalade EXT	02	29	RT4	2	75725	0	CN,HM		900/6,000	1,000/10,000	15
Escalade EXT w/Factory 7-Way	02-11										
Escalade EXT	03-06	32	SQ4	2	75172†	0	CN		600/6,000	750/7,500	30
Seville	98-04	36	SQ2	1-1/4	36243†	0	EP,GP,JR	36051	300/3,500		35
SRX Except w/Sport Package Fascia	04-09	58	RT3	2	75174	0	JR,KH		350/3,500	500/5,000	60
SRX	10-16	28	RT3	2	75682	0			400/4,000	500/5,000	15
STS	05-11	33	SQ1	1-1/4	24767		JR,TA,HM	3594	200/2,000		45
XT4	19-21	22	SQ3	2	76266	0	GP,JR,DU		675/4,500		80
XT5 Except Platinum	17-20	23	SQ3	2	76022	0	GP		675/4,500	675/4,500	20
XT5 Except Platinum	21	23	SQ3	2	76022	0	GP		675/4,500	675/4,500	20
XT6	20-21										
XTS	13-19	42	SQ2	1-1/4	36538		HM	36061	300/3,500		35
<b>CHEVROLET</b>											
Astro Extended Body	90-05	33	SQ2	1-1/4	36197†	0	CS,HM	36051	300/3,500		30
		34	SQ2	1-1/4	36198†	0	CS,GP	36053	300/3,500		30
		33	SQ3	2	75122	0	CS,GP		300/3,500	600/6,000	30
		50	SQ3	2	37136		AF		500/5,000	600/6,000	65
Avalanche 1500	02-06	29	RT4	2	75725	0	CN,HM		900/6,000	1,000/10,000	15
Avalanche 1500 w/Factory 7-Way	02-11										
Avalanche 1500 w/Factory 7-Way	07-11										
Avalanche 2500	02	29	RT4	2	75725	0	CN,HM		900/6,000	1,000/10,000	15
Avalanche 2500 w/Factory 7-Way	02-11										

- † Available while supply lasts.
- AF Hitch is ONLY rated for Weight Carrying at 3500 lbs. GTW / 350 lbs. TW and DO NOT use Weight Distribution Spring Bars for this Specific Vehicle. Except for long bed pickups.
- CN Requires OEM factory bumper for hitch installation.
- CS Will fit with full-size spare tire stowed under vehicle.
- DU Fascia removal required.
- EP Fascia trimming may be required.

- GP Hitch cross-tube concealed behind bumper.
- HM Hitch cross-tube is visible beneath bumper.
- JR Exhaust must be temporarily lowered for installation.
- KH Minor heat shield modification may be required.
- TA Trunk access required for hitch installation.

T-ONE						TOW HARNESS					4-FLAT WIRING				REQ. 4 FLAT WIRING		7-WAY HARDWIRE	BRAKE CONTROL HARNESS	IN			
PC	T-ONE	FN	IN	AMP	CP	PC	TOW HARN	FN	IN	AMP	CP	TYPE	ELEC	POS	CHOICE 1	CHOICE 2				6-WAY ADAPTER	7-WAY ADAPTER	
<b>CADILLAC</b>																						
E15	118580	CH	25	2.1,5.6	X								B,E	PC3,4	119191	119148						
E15	118440	CH	45	2.1,4.2	X								B,E	PC3,4	119191	119148						
E15	118466	CH	15	2.1,5.6	X								A,E	PC3,4	119191	119148						
E15	118645	CH	45	2.1,5.6	X								A,E	PC3,4	119191	119148						
E15	118645	CH	45	2.1,5.6	X								A,E	PC3,4	119191	119148						
E15	118440	CH	45	2.1,4.2	X								B,E	PC3,4	119191	119148						
													A,E	PC3,4	119191	119148						
													E	PC3,4	119191	119148						
													E	PC3,4	119191	119148						
E16	118535	CH	45	2.1,5.6	X								B,E	PC3,4	119191	119148						
E4	118319	BN	5	7.5									A	SUV7	119148	20252	20320	20321	20224			
						E8	118384	BN,RD	5	7.5		4-Flat	A	SUV6	119148	20252	20320	20321	20224	3025-P	5	
							74682	RD	10			Both	H	SUV6	119148	20252						
							8551511	RD				7-Way										
							85219	RD	5			7-Way										
						E8	118384	BN,RD	5	7.5		4-Flat	A	SUV6	119148	20252	20320	20321	20224	3015-P	5	
						E8	118384	BN,RD	5	7.5		4-Flat	H	SUV6	119148	20252						
						E8	118384	BN,RD	5	7.5		4-Flat	H	SUV6	119148	20252					3016-P	5
																					3016-P	5
						E8	118384	BN,RD	5	7.5		4-Flat	A	SUV6	119148	20252	20320	20321	20224	3015-P	5	
							74682	RD	10			Both	H	SUV6	119148	20252						
							8551511	RD				7-Way										
							85219	RD	5			7-Way										
						E8	118384	BN,RD	5	7.5		4-Flat	H	SUV6	119148	20252	20320	20321	20224	3025-P	5	
							74682	RD	10			Both	H	SUV6	119148	20252						
							8551511	RD				7-Way										
							85219	RD	5			7-Way										
						E8	118384	BN,RD	5	7.5		4-Flat	A	SUV6	119148	20252	20320	20321	20224	3015-P	5	
													B,E	PC3,4	119191	119148						
													E	SUV3,4	119191	119148	20320	20321	20224			
						E3	118259	BN	5	7.5		4-Flat	E	SUV3,4	119191	119148	20320	20321	20224			
													E	PC3,4	119191	119148						
E3	118795	BN	15	5.7,5	X								A	SUV6								
E3	118720	BN	10	7.5		E9	118276	BN	10			7-Way	A	SUV6	119148	20252						
E3	118720	BN	10	7.5									A	SUV6	119148	20252						
E3	118720		10	7.5									A,E	PC3,4	119191	119148						
<b>CHEVROLET</b>																						
													A	SUV4	119148	20252	20320	20321	20224			
						E8	118384	BN,RD	5	7.5		4-Flat	A	SUV6	119148	20252	20320	20321	20224	3015-P	5	
							74682	RD	10			Both	H	SUV6	119148	20252						
							8551511	RD				7-Way										
							85219	RD	5			7-Way										
						E8	118384	BN,RD	5	7.5		4-Flat	H	SUV6	119148	20252						
						E8	118384	BN,RD	5	7.5		4-Flat	A	SUV6	119148	20252	20320	20321	20224	3025-P	5	
							74682	RD	10			Both	H	SUV6	119148	20252						
							8551511	RD				7-Way										
							85219	RD	5			7-Way										

**A** 2 wire system.  
**B** 3 wire system. Converter required.  
**BN** Exterior mounted plug on some or all models. May require an aftermarket electrical mounting box or bracket. (Sold separately)  
**CH** T-One is equipped with circuit protected ModuLite® module.

**E** ModuLite® required.  
**H** 3 wire system with OEM standard 2 wire harness.  
**RD** For vehicles equipped with factory tow package may require additional components or may be used as a replacement harness.

**RT3** Round Tube Class III 2"  
**RT4** Round Tube Class IV 2"  
**SQ1** Square Tube Class I  
**SQ2** Square Tube Class II  
**SQ3** Square Tube Class III  
**SQ4** Square Tube Class IV

# RECEIVER HITCH APPLICATIONS

RECEIVER HITCHES

C - CHEVROLET

MODEL / STYLE	YEAR	TRAILER HITCHES									
		PC	REC TYPE	REC SIZE	PART NO.	NO DRILL	FOOTNOTES	OPTIONAL DRAWBAR	WC (LBS.)	WD (LBS.)	IN
<i>For vehicles prior to 2001,</i>											
<b>CHEVROLET (Continued)</b>											
Avalanche 2500 w/Factory 7-Way	07-11										
Aveo 4 Dr. Sedan	04-05										
Aveo 5 Dr. Hatchback	04-11	20	SQ1	1-1/4	24741		GP	3593	200/2,000		30
Aveo 4 Dr. Sedan	06	23	SQ1	1-1/4	24810	0	HM,TA	3593	200/2,000		20
Aveo 4 Dr. Sedan	07-11	23	SQ1	1-1/4	24810	0	HM,TA	3593	200/2,000		20
Blazer Downsize	95-98	21	RT3	2	75079	0	FP,KK,SD		400/4,000	600/6,000	15
Blazer Downsize	99-01	21	RT3	2	75079	0	FP,KK,SD		400/4,000	600/6,000	15
Blazer Downsize, w/Factory 7-Way	99-01										
Blazer Downsize	02-05	21	RT3	2	75079	0	FP,KK,SD		400/4,000	600/6,000	15
Blazer	19-20	24	SQ3	2	76023	0	GP,JR,AA,DU,SV,TA		675/4,500	675/4,500	90
Blazer	21	24	SQ3	2	76023	0	GP,JR,AA,DU,SV,TA		675/4,500	675/4,500	90
Blazer Trailblazer	99-01	21	RT3	2	75079	0	FP,KK,SD		400/4,000	600/6,000	15
Blazer Trailblazer w/Factory 7-Way	99-01										
Bolt EV	17-19	20	SQ1	1-1/4	24956	0	GP,X	3593	200/2,000		20
C1500	88-99	49	RT3	2	37133				500/5,000	750/7,500	40
		35	SQ3	2	75033	0	HM,J		500/5,000	800/8,000	20
		25	SQ3	2	75099	0	GP		500/5,000	800/8,000	20
		37	SQ4	2	40050		HC		600/6,000	1,000/10,000	40
		44	SQ4	2	41524	0	GP		600/6,000	1,000/10,000	20
		54	RT4	2	37130				700/7,000	1,200/12,000	40
		45	SQ5	2	41901		@,DB,GP,SN		1,000/10,000	1,300/13,000	30
C1500 w/10" Deep Drop Bumper	88-99	49	SQ4	2	41528	0	FS,J		600/6,000	1,000/10,000	20
C1500 w/Aftermarket Roll Pan	88-99	37	SQ3	2	41522		CO,HK		500/5,000	550/5,500	40
C2500 Regular & Extended Cabs	88-99	49	RT3	2	37133				500/5,000	750/7,500	40
		35	SQ3	2	75033	0	HM,J		500/5,000	800/8,000	20
		25	SQ3	2	75099	0	GP		500/5,000	800/8,000	20
		37	SQ4	2	40050		HC		600/6,000	1,000/10,000	40
		44	SQ4	2	41524	0	GP		600/6,000	1,000/10,000	20
		54	RT4	2	37130				700/7,000	1,200/12,000	40
		59	SQ5	2-1/2	45506		#		1,200/12,000	1,700/14,000	45
C2500 Regular & Extended Cabs	88-00	45	SQ5	2	41901		@,DB,GP,SN		1,000/10,000	1,300/13,000	30
C2500 Regular & Extended Cabs, w/10" Deep Drop Bumper	88-99	49	SQ4	2	41528	0	FS,J		600/6,000	1,000/10,000	20
C2500 w/Aftermarket Roll Pan	88-99	37	SQ3	2	41522		CO,HK		500/5,000	550/5,500	40
C2500 Crew Cab	92-00	49	RT3	2	37133	0			500/5,000	750/7,500	40
		35	SQ3	2	75033	0	HM,J		500/5,000	800/8,000	20
		25	SQ3	2	75099	0	GP		500/5,000	800/8,000	20
		37	SQ4	2	40050		FS		600/6,000	1,000/10,000	40
		44	SQ4	2	41524	0	GP		600/6,000	1,000/10,000	20
		54	RT4	2	37130				700/7,000	1,200/12,000	40
		45	SQ5	2	41901		@,DB,GP,SN		1,000/10,000	1,300/13,000	30
		59	SQ5	2-1/2	45506		#		1,200/12,000	1,700/14,000	45
C2500 Crew Cab w/10" Deep Drop Bumper	92-00	49	SQ4	2	41528	0	FS,J		600/6,000	1,000/10,000	20

- # Titan hitches require use of a 2-1/2" shank Titan ball mount.
- @ Ultra Frame ball mount must be used to achieve maximum weight carrying rating.
- AA Requires temporary removal of bumper during installation.
- CO Will not fit 8 ft. 2500/3500 Series with heavy-duty suspension or four door Crew Cab.
- DB Will not fit 6 ft. bed pickups.
- DU Fascia removal required.
- FP Spare tire repositioning and/or modification of spare tire carrier may be required.
- FS Includes 2 & 4 WD models with heavy duty suspension.
- GP Hitch cross tube concealed behind bumper.
- HC Will not fit with mini or full size tire stowed under vehicle.
- HK Under vehicle spare tire storage may be retained with installation of an aftermarket spare tire repositioner. Cutting of rollpan in license plate area required for receiver tube access. Does not fit with bumper.
- HM Hitch cross tube is visible beneath bumper.
- J Under vehicle spare tire storage is retained.
- JR Exhaust must be temporarily lowered for installation.
- KK When installing on a vehicle originally equipped with an OEM hitch, OEM bumper brackets must be purchased and installed prior to new hitch installation.
- SD Hitches produced before 07/21/06 are rated at 350/3500 WC.
- SN Hitches produced before 04/28/08 are rated at 1000/10000 WC & 1200/12000 WD.
- SV Trimming or removal of under body appearance panel may be required.
- TA Trunk access required for hitch installation.

T-ONE						TOW HARNESS					4-FLAT WIRING				REQ. 4 FLAT WIRING		7-WAY HARDWARE	BRAKE CONTROL HARNESS	IN
PC	T-ONE	FN	IN	AMP	CP	PC	TOW HARN	FN	IN	AMP	CP	TYPE	ELEC	POS	CHOICE 1	CHOICE 2			
<b>CHEVROLET (Continued)</b>																			
E13	118485	CG	15	2.1,7.5	X	E8	118384	BN,RD	5	7.5		4-Flat	H	SUV6	119148	20252			
E13	118485	CG	15	2.1,7.5	X								B	PC3,4	119130	119178			
E13	118485	CG	15	2.1,7.5	X								B	PC3,4	119130	119178			
E12	118514		25	2.1,5	X								B	PC3,4	119130	119178			
													A	SUV7	119148	20252	20320	20321	20224
						E8	118384	BN,RD	5	7.5		4-Flat	A	SUV7	119148	20252	20320	20321	20224
							74682	RD	10			Both	A	SUV7	119148	20252			
							85219	RD	5			7-Way							
							8551511	RD				7-Way							
E3	118720	BN	10	7.5		E9	118276	BN	10			7-Way	A	SUV6	119148	20252			
E3	118720	BN	10	7.5									A	SUV6	119148	20252			
						E8	118384	BN,RD	5	7.5		4-Flat	A	SUV7	119148	20252	20320	20321	20224
							74682	RD	10			Both	A	SUV7	119148	20252			
							85219	RD	5			7-Way							
							8551511	RD				7-Way							
E4	118315	BN	5	7.5									B,E		119191	119148			
													A	PU3	119148	20252	20320	20321	20224
E4	118315	BN	5	7.5									A	PU3	119148	20252	20320	20321	20224
E4	118315	BN	5	7.5									A	PU3	119148	20252	20320	20321	20224
E4	118315	BN	5	7.5									A	PU3	119148	20252	20320	20321	20224
E4	118315	BN	5	7.5									A	PU3	119148	20252	20320	20321	20224
E4	118315	BN	5	7.5									A	PU3	119148	20252	20320	20321	20224
E4	118315	BN	5	7.5									A	PU3	119148	20252	20320	20321	20224

**A** 2 wire system.  
**B** 3 wire system. Converter required.  
**BN** Exterior mounted plug on some or all models. May require an aftermarket electrical mounting box or bracket. (Sold separately)  
**CG** T-One incorporates circuit protected taillight converter.  
**E** ModuLite® required.  
**H** 3 wire system with OEM standard 2 wire harness.  
**RD** For vehicles equipped with factory tow package may require additional components or may be used as a replacement harness.

**RT3** Round Tube Class III 2"  
**RT4** Round Tube Class IV 2"  
**SQ1** Square Tube Class I  
**SQ3** Square Tube Class III  
**SQ4** Square Tube Class IV  
**SQ5** Square Tube Class V

# RECEIVER HITCH APPLICATIONS

RECEIVER HITCHES

C - CHEVROLET

MODEL / STYLE	YEAR	TRAILER HITCHES									
		PC	REC TYPE	REC SIZE	PART NO.	NO DRILL	FOOTNOTES	OPTIONAL DRAWBAR	WC (LBS.)	WD (LBS.)	IN
<i>For vehicles prior to 2001,</i>											
<b>CHEVROLET (Continued)</b>											
<b>C3500 Regular &amp; Extended Cabs</b>	<b>88-00</b>	49	RT3	2	<b>37133</b>				500/5,000	750/7,500	40
		35	SQ3	2	<b>75033</b>	0	HM,J		500/5,000	800/8,000	20
		25	SQ3	2	<b>75099</b>	0	GP		500/5,000	800/8,000	20
		37	SQ4	2	<b>40050</b>		HC		600/6,000	1,000/10,000	40
		44	SQ4	2	<b>41524</b>	0	GP		600/6,000	1,000/10,000	20
		54	RT4	2	<b>37130</b>				700/7,000	1,200/12,000	40
		45	SQ5	2	<b>41901</b>		@,DB,GP,SN		1,000/10,000	1,300/13,000	30
		59	SQ5	2-1/2	<b>45506</b>		#	1,200/12,000	1,700/14,000	45	
<b>C3500 Regular &amp; Extended Cabs, w/10" Deep Drop Bumper</b>	<b>88-00</b>	49	SQ4	2	<b>41528</b>	0	FS,J		600/6,000	1,000/10,000	20
<b>C3500 w/Aftermarket Roll Pan</b>	<b>88-00</b>	37	SQ3	2	<b>41522</b>		CO,HK		500/5,000	550/5,500	40
<b>C3500 Crew Cab</b>	<b>92-00</b>	49	RT3	2	<b>37133</b>	0			500/5,000	750/7,500	40
		35	SQ3	2	<b>75033</b>	0	HM,J		500/5,000	800/8,000	20
		25	SQ3	2	<b>75099</b>	0	GP		500/5,000	800/8,000	20
		44	SQ4	2	<b>41524</b>	0	GP		600/6,000	1,000/10,000	20
		54	RT4	2	<b>37130</b>				700/7,000	1,200/12,000	40
		45	SQ5	2	<b>41901</b>		@,DB,GP,SN		1,000/10,000	1,300/13,000	30
		59	SQ5	2-1/2	<b>45506</b>		#		1,200/12,000	1,700/14,000	45
<b>C3500 Crew Cab w/10" Deep Drop Bumper</b>	<b>92-00</b>	49	SQ4	2	<b>41528</b>	0	FS,J		600/6,000	1,000/10,000	20
<b>Camaro Except Convertible &amp; w/Dealer Installed Ground Effects</b>	<b>10-11</b>	30	SQ1	1-1/4	<b>24850</b>	0	GP		<b>3594</b>	200/2,000	15
<b>Camaro Except Convertible &amp; w/Dealer Installed Ground Effects</b>	<b>12-15</b>	30	SQ1	1-1/4	<b>24850</b>	0	GP		<b>3594</b>	200/2,000	15
<b>Camaro</b>	<b>16-18</b>	23	SQ1	1-1/4	<b>24938</b>	0	GP		<b>3593</b>	200/2,000	50
<b>Camaro</b>	<b>19-21</b>	23	SQ1	1-1/4	<b>24938</b>	0	GP		<b>3593</b>	200/2,000	50
<b>Captiva Sport</b>	<b>12-15</b>	30	SQ3	2	<b>75556</b>	0	GP		400/4,000	400/4,000	15
<b>Cavalier Except Z-24</b>	<b>95-99</b>	31	SQ1	1-1/4	<b>24733</b>		GP,JR		<b>3592</b>	200/2,000	40
<b>Cavalier</b>	<b>00-01</b>	31	SQ1	1-1/4	<b>24733</b>		GP,JR		<b>3592</b>	200/2,000	40
<b>Cavalier Except Z-24</b>	<b>02</b>	31	SQ1	1-1/4	<b>24733</b>		GP,JR		<b>3592</b>	200/2,000	40
<b>Cavalier Except LS Sport</b>	<b>03-05</b>	31	SQ1	1-1/4	<b>24733</b>		GP,JR		<b>3592</b>	200/2,000	40
<b>Cavalier LS Sport</b>	<b>03-05</b>	36	SQ1	1-1/4	<b>24613†</b>		†,JR,KH,GP		<b>3592</b>	200/2,000	40
<b>Cavalier Z-24</b>	<b>95-99</b>	36	SQ1	1-1/4	<b>24613†</b>		†,JR,KH,GP		<b>3592</b>	200/2,000	40
<b>Cavalier Z-24</b>	<b>02</b>	36	SQ1	1-1/4	<b>24613†</b>		†,JR,KH,GP		<b>3592</b>	200/2,000	40
<b>Cavalier Z-24 (Canada Only)</b>	<b>03-05</b>	36	SQ1	1-1/4	<b>24613†</b>		†,JR,KH,GP		<b>3592</b>	200/2,000	40
<b>City Express</b>	<b>15-20</b>	31	RT3	2	<b>75898</b>	0	HM,JR,X		525/3,500		30
<b>Cobalt 2 Dr., Except SS</b>	<b>05-10</b>	20	SQ1	1-1/4	<b>24745</b>		JR,HM		<b>3593</b>	200/2,000	40
<b>Cobalt 4 Dr., Except SS</b>	<b>05-10</b>	20	SQ1	1-1/4	<b>24745</b>		JR,HM		<b>3593</b>	200/2,000	40
<b>Cobalt Sport 2 Dr.</b>	<b>08</b>	30	SQ1	1-1/4	<b>24756</b>		HM,JR		<b>3594</b>	200/2,000	25
<b>Cobalt Sport 4 Dr.</b>	<b>08</b>	30	SQ1	1-1/4	<b>24756</b>		HM,JR		<b>3594</b>	200/2,000	25
<b>Cobalt SS 2 Dr.</b>	<b>05-10</b>	30	SQ1	1-1/4	<b>24756</b>		HM,JR		<b>3594</b>	200/2,000	25
<b>Cobalt SS 4 Dr.</b>	<b>05-10</b>	30	SQ1	1-1/4	<b>24756</b>		HM,JR		<b>3594</b>	200/2,000	25
<b>Colorado</b>	<b>04-12</b>	23	SQ4	2	<b>75607</b>	0	CP,GP		600/6,000	750/7,500	25
<b>Colorado w/Factory 7-Way</b>	<b>04-12</b>										
<b>Colorado</b>	<b>15-21</b>	34	RT4	2	<b>75948</b>	0	HM,AA,V,SO,TZ		800/6,000	800/8,000	35
		30	SQ4	2	<b>76004</b>	0	HM,AA,V,SO,TZ		800/8,000	1,000/10,000	35
<b>Cruze</b>	<b>11-15</b>	18	SQ1	1-1/4	<b>24882</b>	0	GP		<b>3593</b>	200/2,000	15
<b>Cruze (New Body Style)</b>	<b>16-19</b>	18	SQ1	1-1/4	<b>24943</b>	0	GP,X,DU,TA		<b>3593</b>	200/2,000	80
<b>Cruze Limited Only (Old Body Style)</b>	<b>16-18</b>	18	SQ1	1-1/4	<b>24882</b>	0	GP		<b>3593</b>	200/2,000	15
<b>Cruze Hatchback</b>	<b>17-19</b>	18	SQ1	1-1/4	<b>24951</b>	0	GP,X,DU		<b>3594</b>	200/2,000	60
<b>Equinox</b>	<b>05-06</b>	18	SQ2	1-1/4	<b>36408</b>	0	HM		<b>36051</b>	300/3,500	25
		14	RT3	2	<b>76028</b>	0	HM			675/4,500	675/4,500

- |  |  |
|--|--|
| # Titan hitches require use of a 2-1/2" shank Titan ball mount.                          | HK Under vehicle spare tire stowage may be retained with installation of an aftermarket spare tire repositioner. Cutting of rollpan in license plate area required for receiver tube access. Does not fit with bumper. |
| @ Ultra Frame ball mount must be used to achieve maximum weight carrying rating.         | HM Hitch cross tube is visible beneath bumper.   |
| † Available while supply lasts.  | J Under vehicle spare tire stowage is retained.  |
| AA Requires temporary removal of bumper during installation.                             | JR Exhaust must be temporarily lowered for installation.   |
| CO Will not fit 8 ft. 2500/3500 Series with heavy-duty suspension or four door Crew Cab. | KH Minor heat shield modification may be required.   |
| CP Fits all models without factory installed receiver.                                   | SN Hitches produced before 04/28/08 are rated at 1000/10000 WC & 1200/12000 WD.  |
| DB Will not fit 6 ft. bed pickups.   | SO With this hitch installed the step bumper is no longer able to be used as a towing point.   |
| DU Fascia removal required.  | TA Trunk access required for hitch installation.   |
| FS Includes 2 & 4 WD models with heavy duty suspension.                                  | TZ Requires replacement of the impact structure with hitch.  |
| GP Hitch cross tube concealed behind bumper.   | V For vehicles with factory installed step bumpers only.   |
| HC Will not fit with mini or full size tire stowed under vehicle.                        |  |

T-ONE						TOW HARNESS					4-FLAT WIRING				REQ. 4 FLAT WIRING		7-WAY HARDWARE	BRAKE CONTROL HARNESS	IN	
PC	T-ONE	FN	IN	AMP	CP	PC	TOW HARN	FN	IN	AMP	CP	TYPE	ELEC	POS	CHOICE 1	CHOICE 2				6-WAY ADAPTER
<b>CHEVROLET (Continued)</b>																				
E4	118315	BN	5	7.5									A	PU3	119148	20252	20320	20321	20224	
E4	118315	BN	5	7.5									A	PU3	119148	20252	20320	20321	20224	
E4	118315	BN	5	7.5									A	PU3	119148	20252	20320	20321	20224	
E4	118315	BN	5	7.5									A	PU3	119148	20252	20320	20321	20224	
E17	118486	CH	15	2.1,5.6	X								A,E	PC1,2	119191	119148				
E16	118556	CH	25	2.1,5.6	X								A,E	PC1,2	119191	119148				
E17	118690	CH	45	4.2,7.5	X								A,E	PC1,2	119191	119148				
E19	118443	CH	45	2.1,4.2	X								B,E	SUV3,4	119191	119148	20320	20321	20224	
													A	PC3,4	119148	20252				
													A	PC3,4	119148	20252				
													A	PC3,4	119148	20252				
													A	PC3,4	119148	20252				
													A	PC3,4	119148	20252				
													A	PC3,4	119148	20252				
													A	PC3,4	119148	20252				
E17	118597	CH	45	4.2,7.5	X								B,E	SUV3,4	119191	119148	20320	20321		
E5	118407	BN	15	7.5									A	PC1,2	119148	20252				
E8	118398	BN	10	7.5									A	PC1,2	119148	20252				
E5	118407	BN	15	7.5									A	PC1,2	119148	20252				
E8	118398	BN	10	7.5									A	PC1,2	119148	20252				
E5	118407	BN	15	7.5									A	PC1,2	119148	20252				
E8	118398	BN	10	7.5									A	PC1,2	119148	20252				
E10	118301	BN,CG	10	2.1,5	X	E8	118384	BN,RD	5	7.5		4-Flat	B	PU3	119130	119178	20320	20321	20224	
							74682	RD	10			Both	H	PU3	119148	20252				
							8551511	RD				7-Way								
							85219	RD	5			7-Way								
													A	PU3	119148	20252	20320	20321	20224	
E19	118508	CH	45	2.1,5.6	X								B,E	PC3,4	119191	119148				
E14	118696	CH	45		X								A,E	PC3,4	119191	119148				
E19	118508	CH	45	2.1,5.6	X								B,E	PC3,4	119191	119148				
E23	118734	CH	45	5.7,5	X															
E8	118391	CG	10	2.1,5	X								B	SUV3	119130	119178	20320	20321	20224	

- A** 2 wire system.
- B** 3 wire system. Converter required.
- BN** Exterior mounted plug on some or all models. May require an aftermarket electrical mounting box or bracket. (Sold separately)
- CG** T-One incorporates circuit protected taillight converter.
- CH** T-One is equipped with circuit protected ModuLite® module.
- E** ModuLite® required.
- H** 3 wire system with OEM standard 2 wire harness.
- RD** For vehicles equipped with factory tow package may require additional components or may be used as a replacement harness.

- RT3** Round Tube Class III 2"
- RT4** Round Tube Class IV 2"
- SQ1** Square Tube Class I
- SQ2** Square Tube Class II
- SQ3** Square Tube Class III
- SQ4** Square Tube Class IV
- SQ5** Square Tube Class V



**RECEIVER HITCH APPLICATIONS**

MODEL / STYLE	YEAR	TRAILER HITCHES									
		PC	REC TYPE	REC SIZE	PART NO.	NO DRILL	FOOTNOTES	OPTIONAL DRAWBAR	WC (LBS.)	WD (LBS.)	IN
<i>For vehicles prior to 2001,</i>											
<b>CHEVROLET (Continued)</b>											
Equinox	07-09	18	SQ2	1-1/4	36408	0	HM	36051	300/3,500		25
		14	RT3	2	76028	0	HM		675/4,500	675/4,500	30
Equinox	10-17	18	SQ2	1-1/4	36408	0	HM	36051	300/3,500		25
		14	RT3	2	76028	0	HM		675/4,500	675/4,500	30
Equinox Diesel	18-19	28	SQ3	2	76217	0	AI,DU,JR,TZ,X		675/4,500	675/4,500	70
Equinox Except Premier or Models w/1.6L Diesel	18-21	22	SQ2	1-1/4	36642	0	JR,GP	36051	350/3,500		35
		23	SQ3	2	76419	0	JR		675/4,500	675/4,500	35
Equinox Premier, Except Models w/1.6L Diesel	18-20	22	SQ2	1-1/4	36642	0	JR,GP	36051	350/3,500		35
		23	SQ3	2	76419	0	JR		675/4,500	675/4,500	35
Equinox w/ Tow Prep Package	18-20										
Equinox Premier, Except Models w/1.6L Diesel	21	22	SQ2	1-1/4	36642	0	JR,GP	36051	350/3,500		35
		23	SQ3	2	76419	0	JR		675/4,500	675/4,500	35
Express 1500	96-99	31	SQ2	1-1/4	36206	0	HM	36053	300/3,500		15
		50	SQ3	2	37136	0	HM		500/5,000	600/6,000	30
		20	SQ3	2	75189	0	HM		500/5,000	750/7,500	15
		33	SQ4	2	41521	0	HM		600/6,000	1,000/10,000	15
		42	SQ5	2	41946	0	@,HM		1,500/10,000	1,300/13,000	35
Express 1500	00-02	31	SQ2	1-1/4	36206	0	HM	36053	300/3,500		15
		50	SQ3	2	37136	0	HM		500/5,000	600/6,000	30
		20	SQ3	2	75189	0	HM		500/5,000	750/7,500	15
		33	SQ4	2	41521	0	HM		600/6,000	1,000/10,000	15
		42	SQ5	2	41946	0	@,HM		1,500/10,000	1,300/13,000	35
Express 1500	03	31	SQ2	1-1/4	36206	0	HM	36053	300/3,500		15
		50	SQ3	2	37136	0	HM		500/5,000	600/6,000	30
		20	SQ3	2	75189	0	HM		500/5,000	750/7,500	15
		33	SQ4	2	41521	0	HM		600/6,000	1,000/10,000	15
		42	SQ5	2	41946	0	@,HM		1,500/10,000	1,300/13,000	35
Express 1500	04-14	31	SQ2	1-1/4	36206	0	HM	36053	300/3,500		15
		50	SQ3	2	37136	0	HM		500/5,000	600/6,000	30
		20	SQ3	2	75189	0	HM		500/5,000	750/7,500	15
		33	SQ4	2	41521	0	HM		600/6,000	1,000/10,000	15
		42	SQ5	2	41946	0	@,HM		1,500/10,000	1,300/13,000	35
Express 2500	96-99	31	SQ2	1-1/4	36206	0	HM	36053	300/3,500		15
		50	SQ3	2	37136	0	HM		500/5,000	600/6,000	30
		20	SQ3	2	75189	0	HM		500/5,000	750/7,500	15
		33	SQ4	2	41521	0	HM		600/6,000	1,000/10,000	15
		42	SQ5	2	41946	0	@,HM		1,500/10,000	1,300/13,000	35
Express 2500	00-02	52	SQ5	2-1/2	45507	0	#,HM	36053	1,200/12,000	1,700/14,000	45
		31	SQ2	1-1/4	36206	0	HM		300/3,500		15
		50	SQ3	2	37136	0	HM		500/5,000	600/6,000	30
		20	SQ3	2	75189	0	HM		500/5,000	750/7,500	15
		33	SQ4	2	41521	0	HM		600/6,000	1,000/10,000	15
Express 2500	03	42	SQ5	2	41946	0	@,HM	36053	1,500/10,000	1,300/13,000	35
		52	SQ5	2-1/2	45507	0	#,HM		1,200/12,000	1,700/14,000	45
		31	SQ2	1-1/4	36206	0	HM		300/3,500		15
		50	SQ3	2	37136	0	HM		500/5,000	600/6,000	30
		20	SQ3	2	75189	0	HM		500/5,000	750/7,500	15
Express 2500	03	33	SQ4	2	41521	0	HM	36053	600/6,000	1,000/10,000	15
		42	SQ5	2	41946	0	@,HM		1,500/10,000	1,300/13,000	35
		52	SQ5	2-1/2	45507	0	#,HM		1,200/12,000	1,700/14,000	45
		31	SQ2	1-1/4	36206	0	HM		300/3,500		15
		50	SQ3	2	37136	0	HM		500/5,000	600/6,000	30

# Titan hitches require use of a 2-1/2" shank Titan ball mount.	HM Hitch cross tube is visible beneath bumper.
@ Ultra Frame ball mount must be used to achieve maximum weight carrying rating.	JR Exhaust must be temporarily lowered for installation.
AI Additional installation time may be required.	TZ Requires replacement of the impact structure with hitch.
DU Fascia removal required.	X Minor fascia trimming required.
GP Hitch cross tube concealed behind bumper.	

T-ONE						TOW HARNESS						4-FLAT WIRING				REQ. 4 FLAT WIRING		7-WAY HARDWARE	BRAKE CONTROL HARNESS	IN
PC	T-ONE	FN	IN	AMP	CP	PC	TOW HARN	FN	IN	AMP	CP	TYPE	ELEC	POS	CHOICE 1	CHOICE 2	6-WAY ADAPTER			
<b>CHEVROLET (Continued)</b>																				
E7	118432	CE	10	7.5									B	SUV1,2	119130	119178	20320	20321	20224	
E16	118494	CH	45	2.1,5.6	X	E1	118264	RD	15	7.5		4-Flat	N	SUV1,2		119251	20320	20321		
E17	118750	CH,BN	45	4.2,7.5	X								BTT	SUV1,2						
E17	118750	CH,BN	45	4.2,7.5	X								BTT	SUV1,2						
E15	118759	CH,BN	45	5.7,5	X								A,E	SUV1,2						
						E6	118285	BN,CH	15	7.5		4-Flat	A	SUV5						
													A,E	SUV1,2						
E10	118335	HG	10	2.1,5		E1	118240	RD	5	7.5		4-Flat	B	SUV3,4	119130	119178	20320	20321	20224	
E10	118377	HG	10	2.1,5		E1	118240	RD	5	7.5		4-Flat	B	SUV3,4	119130	119178	20320	20321	20224	
E5	118392		20	7.5		E1	118240	RD	5	7.5		4-Flat	A	SUV3,4	119148	20252	20320	20321	20224	
E5	118392		20	7.5									A	SUV3,4	119148	20252	20320	20321	20224	
E10	118335	HG	10	2.1,5		E1	118240	RD	5	7.5		4-Flat	B	SUV3,4	119130	119178	20320	20321	20224	
E10	118377	HG	10	2.1,5		E1	118240	RD	5	7.5		4-Flat	B	SUV3,4	119130	119178	20320	20321	20224	
E5	118392		20	7.5		E1	118240	RD	5	7.5		4-Flat	A	SUV3,4	119148	20252	20320	20321	20224	

**A** 2 wire system.  
**B** 3 wire system. Converter required.  
**BN** Exterior mounted plug on some or all models. May require an aftermarket electrical mounting box or bracket. (Sold separately)  
**BTT** Shared Brake/Tail/Turn multiplexed wiring system. ModuLite® HD Plus or Ultra required.  
**CE** T-One includes fuse(s) & relay(s). Converter not required. Standard 2 wire system at factory tow plug.

**CH** T-One is equipped with circuit protected ModuLite® module.  
**E** ModuLite® required.  
**HG** T-One incorporates taillight converter.  
**N** DO NOT cut or splice vehicle wiring. Only use approved T-One or see auto dealer for trailer tow wiring kit.  
**RD** For vehicles equipped with factory tow package may require additional components or may be used as a replacement harness.

**RT3** Round Tube Class III 2"  
**SQ2** Square Tube Class II  
**SQ3** Square Tube Class III  
**SQ4** Square Tube Class IV  
**SQ5** Square Tube Class V

**RECEIVER HITCH APPLICATIONS**

MODEL / STYLE	YEAR	TRAILER HITCHES									
		PC	REC TYPE	REC SIZE	PART NO.	NO DRILL	FOOTNOTES	OPTIONAL DRAWBAR	WC (LBS.)	WD (LBS.)	IN
<i>For vehicles prior to 2001,</i>											
<b>CHEVROLET (Continued)</b>											
Express 2500	04-18	31	SQ2	1-1/4	36206	0	HM	36053	300/3,500		15
		50	SQ3	2	37136		HM		500/5,000	600/6,000	30
		20	SQ3	2	75189	0	HM		500/5,000	750/7,500	15
		33	SQ4	2	41521	0	HM		600/6,000	1,000/10,000	15
		42	SQ5	2	41946		@,HM		1,500/10,000	1,300/13,000	35
		52	SQ5	2-1/2	45507	0	#,HM		1,200/12,000	1,700/14,000	45
Express 2500	19-20	52	SQ5	2-1/2	45507	0	#,HM		1,200/12,000	1,700/14,000	45
Express 2500	19-21	31	SQ2	1-1/4	36206	0	HM	36053	300/3,500		15
		50	SQ3	2	37136		HM		500/5,000	600/6,000	30
		20	SQ3	2	75189	0	HM		500/5,000	750/7,500	15
		33	SQ4	2	41521	0	HM		600/6,000	1,000/10,000	15
		42	SQ5	2	41946		@,HM		1,500/10,000	1,300/13,000	35
		52	SQ5	2-1/2	45507	0	#,HM		1,200/12,000	1,700/14,000	45
Express 3500	96-99	31	SQ2	1-1/4	36206	0	HM	36053	300/3,500		15
		50	SQ3	2	37136		HM		500/5,000	600/6,000	30
		20	SQ3	2	75189	0	HM		500/5,000	750/7,500	15
		33	SQ4	2	41521	0	HM		600/6,000	1,000/10,000	15
		42	SQ5	2	41946		@,HM		1,500/10,000	1,300/13,000	35
		52	SQ5	2-1/2	45507	0	#,HM		1,200/12,000	1,700/14,000	45
Express 3500	00-02	31	SQ2	1-1/4	36206	0	HM	36053	300/3,500		15
		50	SQ3	2	37136		HM		500/5,000	600/6,000	30
		20	SQ3	2	75189	0	HM		500/5,000	750/7,500	15
		33	SQ4	2	41521	0	HM		600/6,000	1,000/10,000	15
		42	SQ5	2	41946		@,HM		1,500/10,000	1,300/13,000	35
		52	SQ5	2-1/2	45507	0	#,HM		1,200/12,000	1,700/14,000	45
Express 3500	03	31	SQ2	1-1/4	36206	0	HM	36053	300/3,500		15
		50	SQ3	2	37136		HM		500/5,000	600/6,000	30
		20	SQ3	2	75189	0	HM		500/5,000	750/7,500	15
		33	SQ4	2	41521	0	HM		600/6,000	1,000/10,000	15
		42	SQ5	2	41946		@,HM		1,500/10,000	1,300/13,000	35
		52	SQ5	2-1/2	45507	0	#,HM		1,200/12,000	1,700/14,000	45
Express 3500	04-18	31	SQ2	1-1/4	36206	0	HM	36053	300/3,500		15
		50	SQ3	2	37136		HM		500/5,000	600/6,000	30
		20	SQ3	2	75189	0	HM		500/5,000	750/7,500	15
		33	SQ4	2	41521	0	HM		600/6,000	1,000/10,000	15
		42	SQ5	2	41946		@,HM		1,500/10,000	1,300/13,000	35
		52	SQ5	2-1/2	45507	0	#,HM		1,200/12,000	1,700/14,000	45
Express 3500	18										
Express 3500	19-20	52	SQ5	2-1/2	45507	0	#,HM		1,200/12,000	1,700/14,000	45
Express 3500	19-21	31	SQ2	1-1/4	36206	0	HM	36053	300/3,500		15
		50	SQ3	2	37136		HM		500/5,000	600/6,000	30
		20	SQ3	2	75189	0	HM		500/5,000	750/7,500	15
		33	SQ4	2	41521	0	HM		600/6,000	1,000/10,000	15
		42	SQ5	2	41946		@,HM		1,500/10,000	1,300/13,000	35
		52	SQ5	2-1/2	45507	0	#,HM		1,200/12,000	1,700/14,000	45
HHR	06-11	30	SQ1	1-1/4	24756		HM,JR	3594	200/2,000		25
HHR SS	08-10	30	SQ1	1-1/4	24756		EP,HM,JR	3594	200/2,000		35
Impala	00-05	25	SQ1	1-1/4	24681		GP	3590	200/2,000		20
		35	SQ2	1-1/4	36407	0	GP,JR	36061	300/3,500		30
Impala	06-13	35	SQ2	1-1/4	36407	0	GP,JR	36061	300/3,500		30
Impala Eco, Except Impala Limited	14	48	SQ2	1-1/4	36543†	0	HM,X	36061	300/3,500		30
Impala Except Impala Limited	14-20	42	SQ2	1-1/4	36538		HM,FE	36061	300/3,500		35
Impala LS Except Impala Limited	14	48	SQ2	1-1/4	36543†	0	HM,X	36061	300/3,500		30
Impala LT Except Impala Limited	14	48	SQ2	1-1/4	36543†	0	HM,X	36061	300/3,500		30
Impala LTZ Except Impala Limited	14	48	SQ2	1-1/4	36543†	0	HM,X	36061	300/3,500		30

#	Titan hitches require use of a 2-1/2" shank Titan ball mount.	GP	Hitch cross tube concealed behind bumper.
@	Ultra Frame ball mount must be used to achieve maximum weight carrying rating.	HM	Hitch cross tube is visible beneath bumper.
EP	Fascia trimming may be required.	JR	Exhaust must be temporarily lowered for installation.
FE	Fascia trimming may be required. Allow additional installation time.	X	Minor fascia trimming required.

T-ONE					TOW HARNESS					4-FLAT WIRING				REQ. 4 FLAT WIRING		7-WAY HARDWARE	BRAKE CONTROL HARNESS	IN		
PC	T-ONE	FN	IN	AMP	CP	PC	TOW HARN	FN	IN	AMP	CP	TYPE	ELEC	POS	CHOICE 1				CHOICE 2	6-WAY ADAPTER
<b>CHEVROLET (Continued)</b>																				
E5	118392		20	7.5									A	SUV3,4	119148	20252	20320	20321	20224	
													A	SUV3,4	119148	20252	20320	20321	20224	
													A	SUV3,4	119148	20252	20320	20321	20224	
E10	118335	HG	10	2.1,5		E1	118240	RD	5	7.5		4-Flat	B	SUV3,4	119130	119178	20320	20321	20224	
E10	118377	HG	10	2.1,5		E1	118240	RD	5	7.5		4-Flat	B	SUV3,4	119130	119178	20320	20321	20224	
E5	118392		20	7.5		E1	118240	RD	5	7.5		4-Flat	A	SUV3,4	119148	20252	20320	20321	20224	
E5	118392		20	7.5									A	SUV3,4	119148	20252	20320	20321	20224	
E5	118392		20	7.5									A	SUV3,4	119148	20252	20320	20321	20224	
													A	SUV3,4	119148	20252	20320	20321	20224	
													A	SUV3,4	119148	20252	20320	20321	20224	
E5	118407	BN	15	7.5									A	SUV3,4	119148	20252	20320	20321		
E5	118407	BN	15	7.5									A	SUV3,4	119148	20252	20320	20321		
E5	118512		25	7.5									A	PC3,4	119148	20252				
E5	118417	BN	10	7.5									A	PC2	119148	20252				
E14	118590		45	2.1,5,6	X								A,E	PC3,4	119191	119148				
E14	118590		45	2.1,5,6	X								A,E	PC3,4	119191	119148				
E14	118590		45	2.1,5,6	X								A,E	PC3,4	119191	119148				
E14	118590		45	2.1,5,6	X								A,E	PC3,4	119191	119148				
E14	118590		45	2.1,5,6	X								A,E	PC3,4	119191	119148				

**A** 2 wire system.  
**B** 3 wire system. Converter required.  
**BN** Exterior mounted plug on some or all models. May require an aftermarket electrical mounting box or bracket. (Sold separately)

**E** ModuLite® required.  
**HG** T-One incorporates taillight converter.  
**RD** For vehicles equipped with factory tow package may require additional components or may be used as a replacement harness.

**SQ1** Square Tube Class I  
**SQ2** Square Tube Class II  
**SQ3** Square Tube Class III  
**SQ4** Square Tube Class IV  
**SQ5** Square Tube Class V

# RECEIVER HITCH APPLICATIONS

RECEIVER HITCHES

C - CHEVROLET

MODEL / STYLE		YEAR	TRAILER HITCHES									
			PC	REC TYPE	REC SIZE	PART NO.	NO DRILL	FOOTNOTES	OPTIONAL DRAWBAR	WC (LBS.)	WD (LBS.)	IN
<i>For vehicles prior to 2001,</i>												
<b>CHEVROLET (Continued)</b>												
K1500	88-99	49	RT3	2	37133					500/5,000	750/7,500	40
		35	SQ3	2	75033	0	HM,J			500/5,000	800/8,000	20
		25	SQ3	2	75099	0	GP			500/5,000	800/8,000	20
		44	SQ4	2	41524	0	GP			600/6,000	1,000/10,000	20
		54	RT4	2	37130					700/7,000	1,200/12,000	40
		45	SQ5	2	41901		@,DB,GP,SN			1,000/10,000	1,300/13,000	30
K1500 w/10" Deep Drop Bumper	88-99	49	SQ4	2	41528	0	FS,J			600/6,000	1,000/10,000	20
K1500 w/Aftermarket Roll Pan	88-99	37	SQ3	2	41522		CO,HK			500/5,000	550/5,500	40
K2500 Regular & Extended Cabs	88-99	49	RT3	2	37133					500/5,000	750/7,500	40
		35	SQ3	2	75033	0	HM,J			500/5,000	800/8,000	20
		25	SQ3	2	75099	0	GP			500/5,000	800/8,000	20
		44	SQ4	2	41524	0	GP			600/6,000	1,000/10,000	20
		54	RT4	2	37130					700/7,000	1,200/12,000	40
		59	SQ5	2-1/2	45506		#			1,200/12,000	1,700/14,000	45
K2500 Regular & Extended Cabs	88-00	45	SQ5	2	41901		@,DB,GP,SN			1,000/10,000	1,300/13,000	30
K2500 Regular & Extended Cabs, w/10" Deep Drop Bumper	88-99	49	SQ4	2	41528	0	FS,J			600/6,000	1,000/10,000	20
K2500 w/Aftermarket Roll Pan	88-99	37	SQ3	2	41522		CO,HK			500/5,000	550/5,500	40
K2500 Crew Cab	92-00	49	RT3	2	37133	0				500/5,000	750/7,500	40
		35	SQ3	2	75033	0	HM,J			500/5,000	800/8,000	20
		25	SQ3	2	75099	0	GP			500/5,000	800/8,000	20
		44	SQ4	2	41524	0	GP			600/6,000	1,000/10,000	20
		54	RT4	2	37130					700/7,000	1,200/12,000	40
		45	SQ5	2	41901		@,DB,GP,SN			1,000/10,000	1,300/13,000	30
		59	SQ5	2-1/2	45506		#			1,200/12,000	1,700/14,000	45
K2500 Crew Cab w/10" Deep Drop Bumper	92-00	49	SQ4	2	41528	0	FS,J			600/6,000	1,000/10,000	20
K3500 Regular & Extended Cabs	88-00	49	RT3	2	37133					500/5,000	750/7,500	40
		35	SQ3	2	75033	0	HM,J			500/5,000	800/8,000	20
		44	SQ4	2	41524	0	GP			600/6,000	1,000/10,000	20
		54	RT4	2	37130					700/7,000	1,200/12,000	40
		45	SQ5	2	41901		@,DB,GP,SN			1,000/10,000	1,300/13,000	30
		59	SQ5	2-1/2	45506		#			1,200/12,000	1,700/14,000	45
K3500 Regular & Extended Cabs, w/10" Deep Drop Bumper	88-00	49	SQ4	2	41528	0	FS,J			600/6,000	1,000/10,000	20
K3500 w/Aftermarket Roll Pan	88-00	37	SQ3	2	41522		CO,HK			500/5,000	550/5,500	40
K3500 Crew Cab	92-00	49	RT3	2	37133	0				500/5,000	750/7,500	40
		35	SQ3	2	75033	0	HM,J			500/5,000	800/8,000	20
		25	SQ3	2	75099	0	GP			500/5,000	800/8,000	20
		44	SQ4	2	41524	0	GP			600/6,000	1,000/10,000	20
		54	RT4	2	37130					700/7,000	1,200/12,000	40
		45	SQ5	2	41901		@,DB,GP,SN			1,000/10,000	1,300/13,000	30
		59	SQ5	2-1/2	45506		#			1,200/12,000	1,700/14,000	45
K3500 Crew Cab w/10" Deep Drop Bumper	92-00	49	SQ4	2	41528	0	FS,J			600/6,000	1,000/10,000	20
Kodiak C4500 Cab & Chassis, w/34" Wide Frames	03-09	55	SQ5	2	41947		@			1,600/15,000	1,600/16,000	35
Kodiak C5500 Cab & Chassis, w/34" Wide Frames	03-09	55	SQ5	2	41947		@			1,600/15,000	1,600/16,000	35
Kodiak C6500 Cab & Chassis, w/34" Wide Frames	99-09	55	SQ5	2	41947		@			1,600/15,000	1,600/16,000	35
Kodiak C7500 Cab & Chassis, w/34" Wide Frames	99-09	55	SQ5	2	41947		@			1,600/15,000	1,600/16,000	35
Kodiak C8500 Cab & Chassis, w/34" Wide Frames	99-09	55	SQ5	2	41947		@			1,600/15,000	1,600/16,000	35
Lumina	95-00	23	SQ1	1-1/4	24628		AI,GP		3592	200/2,000		30
		48	SQ2	1-1/4	36193†	0	†,JR,GP		36061	300/3,500		60
Malibu 4 Dr.	97-05	34	SQ1	1-1/4	24656		GP		3592	200/2,000		15
		41	SQ2	1-1/4	36233		GP		36061	300/3,500		20
Malibu 4 Dr.	04-07	42	SQ2	1-1/4	36317		JR,HM		36071	300/3,500		40
Malibu Except LTZ	08-12	24	SQ2	1-1/4	36479		GP,JR,RB		36065	300/3,500		45
Malibu (Canada Only)	13	46	SQ2	1-1/4	36522†	0	†,HM		36061	300/3,500		20

- # Titan hitches require use of a 2-1/2" shank Titan ball mount.
- @ Ultra Frame ball mount must be used to achieve maximum weight carrying rating.
- † Available while supply lasts.
- AI Additional installation time may be required.
- CO Will not fit 8 ft. 2500/3500 Series with heavy-duty suspension or four door Crew Cab.
- DB Will not fit 6 ft. bed pickups.
- FS Includes 2 & 4 WD models with heavy duty suspension.
- GP Hitch cross tube concealed behind bumper.
- HK Under vehicle spare tire stowage may be retained with installation of an aftermarket spare tire repositioner. Cutting of rollpan in license plate area required for receiver tube access. Does not fit with bumper.
- HM Hitch cross tube is visible beneath bumper.
- J Under vehicle spare tire stowage is retained.
- JR Exhaust must be temporarily lowered for installation.
- RB Hitch installation can be made easier with a cutter type drill bit.
- SN Hitches produced before 04/28/08 are rated at 1000/10000 WC & 1200/12000 WD.



# RECEIVER HITCH APPLICATIONS

RECEIVER HITCHES

MODEL / STYLE		YEAR	TRAILER HITCHES									
			PC	REC TYPE	REC SIZE	PART NO.	NO DRILL	FOOTNOTES	OPTIONAL DRAWBAR	WC (LBS.)	WD (LBS.)	IN
<i>For vehicles prior to 2001,</i>												
<b>CHEVROLET (Continued)</b>												
Malibu Except LTZ & Canada Models	13	46	SQ2	1-1/4	36522†	0	†,HM	36061	300/3,500		20	
Malibu Except LTZ & Canada Models	13-15	42	SQ2	1-1/4	36538	0	HM	36061	300/3,500		35	
Malibu Except Premier (New Body Style)	16-21	20	SQ2	1-1/4	36652	0	GP, JR, AA, DU, X, TA	36071	350/3,500		80	
Malibu Limited LTZ, Except Canada Models (Old Body Style)	16-19	42	SQ2	1-1/4	36538	0	HM	36061	300/3,500		35	
Malibu Limited, Except LTZ & Canada Models (Old Body Style)	16-19	42	SQ2	1-1/4	36538	0	HM	36061	300/3,500		35	
Malibu Premier (New Body Style)	16-20	20	SQ2	1-1/4	36652	0	GP, JR, AA, DU, X, TA	36071	350/3,500		80	
Malibu Premier (New Body Style)	21	20	SQ2	1-1/4	36652	0	GP, JR, AA, DU, X, TA	36071	350/3,500		80	
Malibu Classic LS	08	42	SQ2	1-1/4	36317		JR, HM	36071	300/3,500		40	
Malibu Classic LT	08	42	SQ2	1-1/4	36317		JR, HM	36071	300/3,500		40	
Malibu LTZ	08-12	24	SQ2	1-1/4	36479		GP, JR, RB	36065	300/3,500		45	
Malibu LTZ Except Canada Models	13	46	SQ2	1-1/4	36522†	0	†, HM	36061	300/3,500		20	
Malibu LTZ Except Canada Models	14-15	42	SQ2	1-1/4	36538	0	HM	36061	300/3,500		35	
Malibu Maxx LS	04-07	34	SQ2	1-1/4	36379†		HM	36071	300/3,500		25	
Malibu Maxx LT	04-07	34	SQ2	1-1/4	36379†		HM	36071	300/3,500		25	
Malibu SS 4 Dr.	06-07	42	SQ2	1-1/4	36317		JR, X, HM	36071	300/3,500		50	
Monte Carlo	95-99	23	SQ1	1-1/4	24628		AI, GP	3592	200/2,000		30	
		48	SQ2	1-1/4	36193†	0	†, JR, GP	36061	300/3,500		60	
Monte Carlo Except SS Sport Appearance Pkg.	00-05	45	SQ2	1-1/4	36292	0	JR, GP	36061	300/3,500		30	
Monte Carlo Except SS Sport Appearance Pkg.	06-07	45	SQ2	1-1/4	36292	0	JR, GP	36061	300/3,500		30	
Orlando (Canada Only)	12-13	27	SQ1	1-1/4	24881	0	HM, JR, KH	3593	200/2,000		35	
Prizm	98-02	25	SQ1	1-1/4	24579		GP	3593	200/2,000		30	
S10 w/Standard Bed & Step Bumper	85-97	34	SQ2	1-1/4	36248	0	GU, HM, RH	36071	300/3,500		35	
		34	SQ3	2	75051	0	GP, GU		350/3,500	750/6,000	40	
		50	SQ3	2	37136		CN, GU, SB		500/5,000	600/6,000	30	
S10 w/Sportside Bed & Non-Towing Bumper	96-97	30	SQ3	2	75085	0	GP		350/3,500	750/6,000	40	
S10	98-04	34	SQ2	1-1/4	36248	0	GU, RH, GP	36071	300/3,500		35	
		30	SQ3	2	75085	0	GP		350/3,500	750/6,000	40	
		50	SQ3	2	37136		AF, CN, GU, ST		500/5,000	600/6,000	30	
S10	13	51	SQ3	2	75810†	0	†, GP		600/4,000	771/7,710	30	
Silverado 1500	99-02	49	RT3	2	37133	0	RO		500/5,000	750/7,500	25	
		39	SQ4	2	41534	0	RO		600/6,000	1,200/12,000	20	
		54	RT4	2	37130	0	RO		700/7,000	1,200/12,000	25	
		30	RT4	2	75362	0	JL, RO		900/6,000	900/8,000	15	
		22	RT4	2	75521	0	JL, RO, SZ		900/6,000	1,050/10,500	15	
		50	SQ5	2	41932	0	@, HM, JL, RO		1,200/12,000	1,400/14,000	20	
Silverado 1500 w/Factory 7-Way	99-13											
Silverado 1500 (Classic)	03-06	49	RT3	2	37133	0			500/5,000	750/7,500	25	
		54	RT4	2	37130	0			700/7,000	1,200/12,000	25	
Silverado 1500 (Classic)	03-07	39	SQ4	2	41534	0			600/6,000	1,200/12,000	20	
		30	RT4	2	75362	0	JL		900/6,000	900/8,000	15	
		22	RT4	2	75521	0	JL, SZ		900/6,000	1,050/10,500	15	
		50	SQ5	2	41932	0	@, HM, JL		1,200/12,000	1,400/14,000	20	
Silverado 1500	07-13	30	RT4	2	75362	0	JL		900/6,000	900/8,000	15	
		22	RT4	2	75521	0	JL, SZ		900/6,000	1,050/10,500	15	
Silverado 1500 LD (Old Body Style)	14-18	33	RT4	2	75866	0	HM, JL		900/6,000	1,200/12,000	20	
		25	SQ4	2	76016	0	GP, JL		900/6,000	1,000/10,000	25	
Silverado 1500	19-21	34	SQ3	2	76326	0	CP		900/6,000	1,000/10,000	60	
Silverado 1500 (New Body Style)	19-21											
Silverado 1500 HD	01-02	39	SQ4	2	41534	0			600/6,000	1,200/12,000	20	

- @ Ultra Frame ball mount must be used to achieve maximum weight carrying rating.
- † Available while supply lasts.
- AA Requires temporary removal of bumper during installation.
- AF Hitch is ONLY rated for Weight Carrying at 3500 lbs. GTW / 350 lbs. TW and DO NOT use Weight Distribution Spring Bars for this Specific Vehicle. Except for long bed pickups.
- AI Additional installation time may be required.
- CN Requires OEM factory bumper for hitch installation.
- CP Fits all models without factory installed receiver.
- DU Fascia removal required.
- GP Hitch cross tube concealed behind bumper.
- GU Will not fit vehicles with factory or aftermarket lower Fascia/Rollpan or Tube Bumper.
- HM Hitch cross tube is visible beneath bumper.
- JL Installation requires OEM bumper and brackets.
- JR Exhaust must be temporarily lowered for installation.
- KH Minor heat shield modification may be required.
- RB Hitch installation can be made easier with a cutter type drill bit.
- RH Optional drawbar #36051 required (Sold separately) except for models with ZR2 & Highrider package.
- RO Will not fit Silverado SS.
- SB Will not fit models with short bed.
- ST Will not fit 2WD models with short bed.
- SZ Hitches produced before 03/10/11 are rated at 600/6000 WC.
- TA Trunk access required for hitch installation.
- X Minor fascia trimming required.

T-ONE						TOW HARNESS						4-FLAT WIRING				REQ. 4 FLAT WIRING		7-WAY HARDWIRE	BRAKE CONTROL HARNESS	IN	
PC	T-ONE	FN	IN	AMP	CP	PC	TOW HARN	FN	IN	AMP	CP	TYPE	ELEC	POS	CHOICE 1	CHOICE 2	6-WAY ADAPTER				7-WAY ADAPTER
<b>CHEVROLET (Continued)</b>																					
E16	118576	CH	45	2,1,5,6	X								B,E	PC3,4	119191	119148					
E18	118604	CH	45	4,2,7,5	X								B,E	PC3,4	119191	119148					
E17	118689	CH	45	4,2,7,5	X								BIT	PC3,4	119251	119191					
E17	118602	CH	45	2,1,5,6	X								B,E	PC3,4	119191	119148					
E18	118604	CH	45	4,2,7,5	X								B,E	PC3,4	119191	119148					
E15	118740	CH	45	5,7,5	X								A,E	PC3,4	119251	119191					
													A,E	PC3,4	119251	119191					
E7	118439	BN	15	7,5									A	PC3,4	119148	20252					
E7	118439	BN	15	7,5									A	PC3,4	119148	20252					
													A,E	PC1,2	119191	119148					
E17	118602	CH	45	2,1,5,6	X								B,E	PC3,4	119191	119148					
E17	118602	CH	45	2,1,5,6	X								B,E	PC3,4	119191	119148					
E7	118439	BN	15	7,5									A	PC3,4	119148	20252					
E7	118439	BN	15	7,5									A	PC3,4	119148	20252					
E7	118439	BN	15	7,5									A	PC3,4	119148	20252					
													A	PC3,4	119148	20252					
													B	PC4	119130	119178					
													A	PC3,4	119148	20252					
E16	118565	CH	45	2,1,5,6	X								B,E	SUV3,4	119191	119148	20320	20321			
													B	PC3,4	119130	119178					
E3	118312	BN	5	7,5									A	PU3	119148	20252	20320	20321	20224		
E3	118312	BN	5	7,5									A	PU3	119148	20252	20320	20321	20224		
E4	118359	BN	5	7,5									A	PU3	119148	20252	20320	20321	20224		
													B,E	PU1,2	119191	119148	20320	20321			
						E8	118384	BN,RD	5	7,5		4-Flat	A	PU3	119148	20252	20320	20321	20224	3025-P	5
							74682 8551511 85219	RD RD RD	10 5			Both 7-Way 7-Way	H	PU3	119148	20252					
						E8	118384	BN,RD	5	7,5		4-Flat	A	PU3	119148	20252	20320	20321	20224	3015-P	5
						E8	118384	BN,RD	5	7,5		4-Flat	A	PU3	119148	20252	20320	20321	20224	3015-P	5
E8	118384	BN	5	7,5									A	PU3	119148	20252	20320	20321	20224		
E8	118384		5	7,5									A	PU3	119148	20252	20320	20321	20224	3016-P	5
													A	PU3	119148	20252	20320	20321	20224	3064-P	10
													A	PU3	119148	20252	20320	20321	20224	3064-P	10
						E8	118384	BN,RD	5	7,5		4-Flat	A	PU3	119148	20252	20320	20321	20224	3025-P	5

**A** 2 wire system.  
**B** 3 wire system. Converter required.  
**BN** Exterior mounted plug on some or all models. May require an aftermarket electrical mounting box or bracket. (Sold separately)  
**BIT** Shared Brake/Tail/Turn multiplexed wiring system. ModuLite® HD Plus or Ultra required.

**CH** T-One is equipped with circuit protected ModuLite® module.  
**E** ModuLite® required.  
**H** 3 wire system with OEM standard 2 wire harness.  
**RD** For vehicles equipped with factory tow package may require additional components or may be used as a replacement harness.

**RT3** Round Tube Class III 2"  
**RT4** Round Tube Class IV 2"  
**SQ1** Square Tube Class I  
**SQ2** Square Tube Class II  
**SQ3** Square Tube Class III  
**SQ4** Square Tube Class IV  
**SQ5** Square Tube Class V



**RECEIVER HITCH APPLICATIONS**

MODEL / STYLE	YEAR	TRAILER HITCHES									
		PC	REC TYPE	REC SIZE	PART NO.	NO DRILL	FOOTNOTES	OPTIONAL DRAWBAR	WC (LBS.)	WD (LBS.)	IN
<i>For vehicles prior to 2001,</i>											
<b>CHEVROLET (Continued)</b>											
Silverado 1500 HD	01-03	49	RT3	2	37133	0			500/5,000	750/7,500	25
		54	RT4	2	37130	0			700/7,000	1,200/12,000	25
		30	RT4	2	75362	0	JL		900/6,000	900/8,000	15
		22	RT4	2	75521	0	JL,SZ		900/6,000	1,050/10,500	15
		50	SQ5	2	41932	0	@,HM,JL		1,200/12,000	1,400/14,000	20
Silverado 1500 HD w/Factory 7-Way	01-07										
Silverado 1500 HD (Classic)	03	39	SQ4	2	41534	0			600/6,000	1,200/12,000	20
Silverado 1500 HD (Classic)	05-07	49	RT3	2	37133	0			500/5,000	750/7,500	25
		39	SQ4	2	41534	0			600/6,000	1,200/12,000	20
		54	RT4	2	37130	0			700/7,000	1,200/12,000	25
		30	RT4	2	75362	0	JL		900/6,000	900/8,000	15
		22	RT4	2	75521	0	JL,SZ		900/6,000	1,050/10,500	15
		50	SQ5	2	41932	0	@,HM,JL		1,200/12,000	1,400/14,000	20
Silverado 2500	99-02	49	RT3	2	37133	0			500/5,000	750/7,500	25
		39	SQ4	2	41534	0			600/6,000	1,200/12,000	20
		54	RT4	2	37130	0			700/7,000	1,200/12,000	25
		30	RT4	2	75362	0	JL		900/6,000	900/8,000	15
		22	RT4	2	75521	0	JL,SZ		900/6,000	1,050/10,500	15
		50	SQ5	2	41932	0	@,HM,JL		1,200/12,000	1,400/14,000	20
		58	SQ5	2-1/2	45512†	0	†		1,200/12,000	1,700/14,000	20
Silverado 2500 w/Factory 7-Way	99-02										
Silverado 2500	03-04	49	RT3	2	37133	0			500/5,000	750/7,500	25
		39	SQ4	2	41534	0			600/6,000	1,200/12,000	20
		54	RT4	2	37130	0			700/7,000	1,200/12,000	25
		30	RT4	2	75362	0	JL		900/6,000	900/8,000	15
		22	RT4	2	75521	0	JL,SZ		900/6,000	1,050/10,500	15
		50	SQ5	2	41932	0	@,HM,JL		1,200/12,000	1,400/14,000	20
		58	SQ5	2-1/2	45512†	0	†		1,200/12,000	1,700/14,000	20
Silverado 2500 w/Factory 7-Way	03-04										
Silverado 2500 HD	01-02	46	SQ4	2	41544	0	HM,SA		600/6,000	1,200/12,000	20
		34	RT4	2	75550	0	CS,FS,JL,LT		600/6,000	1,100/11,000	20
		37	SQ5	2	41944	0	@,CS,FS,HM,LT		1,950/13,000	1,600/16,000	25
		58	SQ5	2-1/2	45517	0	#,CS,FS,LT		1,300/13,000	1,700/17,000	25
		60	SQ5	2-1/2	45519	0	#,CS,FS,LT		2,000/18,000	2,500/18,000	25
Silverado 2500 HD 8 ft. Bed	01-02	60	SQ5	2-1/2	45519	0	#,CS,FS,LT		2,000/18,000	2,500/18,000	25
Silverado 2500 HD w/Factory 7-Way	01-02										
Silverado 2500 HD w/Factory 7-Way (Classic)	02-07										
Silverado 2500 HD (Classic)	03-07	46	SQ4	2	41544	0	HM,SA		600/6,000	1,200/12,000	20
		34	RT4	2	75550	0	CS,FS,JL,LT		600/6,000	1,100/11,000	20
		37	SQ5	2	41944	0	@,CS,FS,HM,LT		1,950/13,000	1,600/16,000	25
		58	SQ5	2-1/2	45517	0	#,CS,FS,LT		1,300/13,000	1,700/17,000	25
		60	SQ5	2-1/2	45519	0	#,CS,FS,LT		2,000/18,000	2,500/18,000	25
Silverado 2500 HD 8 ft. Bed (Classic)	03-07	60	SQ5	2-1/2	45519	0	#,CS,FS,LT		2,000/18,000	2,500/18,000	25
Silverado 2500 HD w/Factory 7-Way (Classic)	03-07										

# Titan hitches require use of a 2-1/2" shank Titan ball mount.	HM Hitch cross-tube is visible beneath bumper.
@ Ultra Frame ball mount must be used to achieve maximum weight carrying rating.	JL Installation requires OEM bumper and brackets.
† Available while supply lasts.	LT Requires removal of factory hitch if equipped.
CS Will fit with full-size spare tire stowed under vehicle.	SA Requires drilling on 6 ft. bed models.
FS Includes 2 & 4 WD models with heavy duty suspension.	SZ Hitches produced before 03/10/11 are rated at 600/6000 WC.

T-ONE					TOW HARNESS					4-FLAT WIRING				REQ. 4 FLAT WIRING		7-WAY HARDWIRE	BRAKE CONTROL HARNESS	IN			
PC	T-ONE	FN	IN	AMP	CP	PC	TOW HARN	FN	IN	AMP	CP	TYPE	ELEC	POS	CHOICE 1				CHOICE 2	6-WAY ADAPTER	7-WAY ADAPTER
<b>CHEVROLET (Continued)</b>																					
						E8	118384	BN,RD	5	7.5		4-Flat	A	PU3	119148	20252	20320	20321	20224	3025-P	5
							8551511 85219 74682	RD RD RD	5 10			7-Way 7-Way Both	H	PU3	119148	20252					
						E8	118384	BN,RD	5	7.5		4-Flat	A	PU3	119148	20252	20320	20321	20224	3015-P	5
						E8	118384	BN,RD	5	7.5		4-Flat	A	PU3	119148	20252	20320	20321	20224	3015-P	5
						E8	118384	BN,RD	5	7.5		4-Flat	A	PU3	119148	20252	20320	20321	20224	3025-P	5
							74682 8551511 85219	RD RD RD	10 5			Both 7-Way 7-Way	H	PU3	119148	20252				3025-p	5
						E8	118384	BN,RD	5	7.5		4-Flat	A	PU3	119148	20252	20320	20321	20224	3015-P	5
							74682 8551511 85219	RD RD RD	10 5			Both 7-Way 7-Way	H	PU3	119148	20252				3015-P	5
						E8	118384	BN,RD	5	7.5		4-Flat	A	PU3	119148	20252	20320	20321	20224	3025-P	5
						E8	118384	BN,RD	5	7.5		4-Flat	A	PU3	119148	20252	20320	20321	20224	3025-P	5
							74682 8551511 85219	RD RD RD	10 5			Both 7-Way 7-Way	H	PU3	119148	20252				3025-P	5
							8551511	RD				7-Way	H	PU3	119148	20252				3015-P	5
						E8	118384	BN,RD	5	7.5		4-Flat	A	PU3	119148	20252	20320	20321	20224	3015-P	5
						E8	118384	BN,RD	5	7.5		4-Flat	A	PU3	119148	20252	20320	20321	20224	3015-P	5
							74682 85219	RD RD	10 5			Both 7-Way	H	PU3	119148	20252				3015-P	5

**A** 2 wire system.  
**BN** Exterior mounted plug on some or all models. May require an aftermarket electrical mounting box or bracket. (Sold separately)  
**H** 3 wire system with OEM standard 2 wire harness.  
**RD** For vehicles equipped with factory tow package may require additional components or may be used as a replacement harness.

**RT3** Round Tube Class III 2"  
**RT4** Round Tube Class IV 2"  
**SQ4** Square Tube Class IV  
**SQ5** Square Tube Class V

# RECEIVER HITCH APPLICATIONS

RECEIVER HITCHES

C - CHEVROLET

MODEL / STYLE	YEAR	TRAILER HITCHES									
		PC	REC TYPE	REC SIZE	PART NO.	NO DRILL	FOOTNOTES	OPTIONAL DRAWBAR	WC (LBS.)	WD (LBS.)	IN
<i>For vehicles prior to 2001,</i>											
<b>CHEVROLET (Continued)</b>											
Silverado 2500 HD	07-10	34	RT4	2	75550	0	CS,FS,JL,LT		600/6,000	1,100/11,000	20
		37	SQ5	2	41944	0	@,CS,FS,HM,LT		1,950/13,000	1,600/16,000	25
		58	SQ5	2-1/2	45517	0	#,CS,FS,LT		1,300/13,000	1,700/17,000	25
Silverado 2500 HD 8 ft. Bed	07-10	60	SQ5	2-1/2	45519	0	#,CS,FS,LT		2,000/18,000	2,500/18,000	25
Silverado 2500 HD w/Factory 7-Way	07-14										
Silverado 2500 HD	11-14	43	SQ4	2	75707	0	CS,FS,GP,JL,LT		800/8,000	1,200/12,000	20
		50	SQ5	2	41942	0	@,CS,FS,GP,JL,KH,LT		1,500/15,000	1,600/16,000	20
		67	SQ5	2-1/2	45510		#,CS,FS,HM,JL,KH,LT		2,000/18,000	2,500/18,000	60
Silverado 2500 HD	15-19	42	SQ4	2	75906	0	HM,JL		1,200/8,000	1,200/12,000	30
		53	SQ5	2	41950	0	@,CS,FS,GP,JL,KH,LT		1,700/15,000	1,700/17,000	60
		57	SQ5	2-1/2	45511		#,HM		2,700/20,000	2,700/20,000	60
Silverado 2500 HD w/Factory 7-Way	15-19										
Silverado 2500 HD	20-21										
Silverado 2500 HD w/Factory 7-Way	20-21										
Silverado 3500	01-02	46	SQ4	2	41544	0	HM,SA		600/6,000	1,200/12,000	20
		34	RT4	2	75550	0	CS,FS,JL,LT		600/6,000	1,100/11,000	20
		37	SQ5	2	41944	0	@,CS,FS,HM,LT		1,950/13,000	1,600/16,000	25
		58	SQ5	2-1/2	45517	0	#,CS,FS,LT		1,300/13,000	1,700/17,000	25
		60	SQ5	2-1/2	45519	0	#,CS,FS,LT		2,000/18,000	2,500/18,000	25
Silverado 3500 Cab & Chassis, w/34" Wide Frames (Classic)	01-07	29	SQ5	2	41936		@		1,200/12,000		30
		50	SQ5	2	41938		@,CC		1,200/12,000	1,500/15,000	40
		55	SQ5	2	41947		@		1,600/15,000	1,600/16,000	35
Silverado 3500 w/Factory 7-Way	01-07										
Silverado 3500 (Classic)	03-06	58	SQ5	2-1/2	45517	0	#,CS,FS,LT		1,300/13,000	1,700/17,000	25
		60	SQ5	2-1/2	45519	0	#,CS,FS,LT		2,000/18,000	2,500/18,000	25
Silverado 3500 (Classic)	03-07	46	SQ4	2	41544	0	HM,SA		600/6,000	1,200/12,000	20
		34	RT4	2	75550	0	CS,FS,JL,LT		600/6,000	1,100/11,000	20
		37	SQ5	2	41944	0	@,CS,FS,HM,LT		1,950/13,000	1,600/16,000	25
Silverado 3500 HD	07-10	34	RT4	2	75550	0	CS,FS,JL,LT		600/6,000	1,100/11,000	20
		37	SQ5	2	41944	0	@,CS,FS,HM,LT		1,950/13,000	1,600/16,000	25
		58	SQ5	2-1/2	45517	0	#,CS,FS,LT		1,300/13,000	1,700/17,000	25
		60	SQ5	2-1/2	45519	0	#,CS,FS,LT		2,000/18,000	2,500/18,000	25
Silverado 3500 HD Cab & Chassis, w/34" Wide Frames	07-20	29	SQ5	2	41936		@		1,200/12,000		30
		50	SQ5	2	41938		@,CC		1,200/12,000	1,500/15,000	40
		55	SQ5	2	41947		@		1,600/15,000	1,600/16,000	35
Silverado 3500 HD w/Factory 7-Way	07-19										
Silverado 3500 HD	11-14	43	SQ4	2	75707	0	CS,FS,GP,JL,LT		800/8,000	1,200/12,000	20
		50	SQ5	2	41942	0	@,CS,FS,GP,JL,KH,LT		1,500/15,000	1,600/16,000	20
		67	SQ5	2-1/2	45510		#,CS,FS,HM,JL,KH,LT		2,000/18,000	2,500/18,000	60
Silverado 3500 HD	15-19	42	SQ4	2	75906	0	HM,JL		1,200/8,000	1,200/12,000	30
		53	SQ5	2	41950	0	@,CS,FS,GP,JL,KH,LT		1,700/15,000	1,700/17,000	60
		57	SQ5	2-1/2	45511		#,HM		2,700/20,000	2,700/20,000	60
Silverado 3500 HD	20										

- |  |  |
|--|--|
| # Titan hitches require use of a 2-1/2" shank Titan ball mount.                  | HM Hitch crosstube is visible beneath bumper.      |
| @ Ultra Frame ball mount must be used to achieve maximum weight carrying rating. | JL Installation requires OEM bumper and brackets.  |
| CC Requires minimum of 19 in. from end of frame rail to spring shackle bracket.  | KH Minor heat shield modification may be required. |
| CS Will fit with full-size spare tire stowed under vehicle.                      | LT Requires removal of factory hitch if equipped.  |
| FS Includes 2 & 4 WD models with heavy duty suspension.                          | SA Requires drilling on 6 ft. bed models.          |
| GP Hitch crosstube concealed behind bumper.                                      |  |

T-ONE						TOW HARNESS						4-FLAT WIRING				REQ. 4 FLAT WIRING		7-WAY HARDWIRE	BRAKE CONTROL HARNESS	IN	
PC	T-ONE	FN	IN	AMP	CP	PC	TOW HARN	FN	IN	AMP	CP	TYPE	ELEC	POS	CHOICE 1	CHOICE 2	6-WAY ADAPTER				7-WAY ADAPTER
<b>CHEVROLET (Continued)</b>																					
E8	118384	BN	5	7.5									A	PU3	119148	20252	20320	20321	20224		
E8	118384	BN	5	7.5									A	PU3	119148	20252	20320	20321	20224		
							85219 74682 8551511	RD RD RD	5 10			7-Way Both 7-Way	H	PU3	119148	20252					
E8	118384	BN	5	7.5									A	PU3	119148	20252	20320	20321	20224		
E8	118384	BN	5	7.5									A	PU3	119148	20252	20320	20321	20224	3016-P	5
							74682 8551511 85219	RD RD RD	10 5			Both 7-Way 7-Way	H	PU3	119148	20252				3016-P	5
E8	118384	BN,RD	5	7.5									H	PU3	119148	20252				3064-P	10
							8551511 85219 74682	RD RD RD	5 10			7-Way 7-Way Both	H	PU3	119148	20252				3064-P	10
						E8	118384	BN,RD	5	7.5		4-Flat	A	PU3	119148	20252	20320	20321	20224	3025-P	5
													C	PU1,2	119191	119148	20320	20321	20224		
							74682 85219 8551511	RD RD RD	10 5			Both 7-Way 7-Way	H	PU3	119148	20252					
						E8	118384	BN,RD	5	7.5		4-Flat	A	PU3	119148	20252	20320	20321	20224	3015-P	5
						E8	118384	BN,RD	5	7.5		4-Flat	A	PU3	119148	20252	20320	20321	20224	3015-P	5
E8	118384	BN	5	7.5									A	PU3	119148	20252	20320	20321	20224		
													C	PU1,2	119191	119148	20320	20321	20224		
							74682 8551511 85219	RD RD RD	10 5			Both 7-Way 7-Way	A	PU3	119148	20252				3016-P	5
E8	118384	BN	5	7.5									A	PU3	119148	20252	20320	20321	20224		
E8	118384	BN	5	7.5									A	PU3	119148	20252	20320	20321	20224	3016-P	5
E8	118384	BN,RD	5	7.5									H	PU3	119148	20252				3064-P	10

**A** 2 wire system.

**BN** Exterior mounted plug on some or all models. May require an aftermarket electrical mounting box or bracket. (Sold separately)

**C** 2 or 3 wire system determine at installation.

**H** 3 wire system with OEM standard 2 wire harness.

**RD** For vehicles equipped with factory tow package may require additional components or may be used as a replacement harness.

**RT4** Round Tube Class IV 2"

**SQ4** Square Tube Class IV

**SQ5** Square Tube Class V

# RECEIVER HITCH APPLICATIONS

RECEIVER HITCHES

C - CHEVROLET

MODEL / STYLE	YEAR	TRAILER HITCHES									
		PC	REC TYPE	REC SIZE	PART NO.	NO DRILL	FOOTNOTES	OPTIONAL DRAWBAR	WC (LBS.)	WD (LBS.)	IN
<i>For vehicles prior to 2001,</i>											
<b>CHEVROLET (Continued)</b>											
Silverado 3500 HD w/Factory 7-Way	20										
Sonic 4 Dr. Sedan	12-16	20	SQ1	1-1/4	24876	0	GP	3590	200/2,000		20
Sonic 5 Dr. Hatchback	12-16	25	SQ1	1-1/4	24878	0	HB,HM,JR	3590	200/2,000		20
Sonic 4 Dr. Sedan	17-18	20	SQ1	1-1/4	24876	0	GP	3590	200/2,000		20
Sonic 5 Dr. Hatchback	17-19	25	SQ1	1-1/4	24878	0	HB,HM,JR	3590	200/2,000		20
Spark Except w/Ground Effects	13-15	24	SQ1	1-1/4	24893†		GP,JR	3594	200/2,000		25
Spark	16	18	SQ1	1-1/4	24941	0	DU,GP,X	3593	200/2,000		45
Spark	17-21	18	SQ1	1-1/4	24941	0	DU,GP,X	3593	200/2,000		45
Spark LT w/Ground Effects	13-15	24	SQ1	1-1/4	24894		GP,JR	3594	200/2,000		25
Suburban w/Factory 7-Way	00-11										
Suburban	07-11										
Suburban	15-20										
Suburban 1500 w/Amber Turn Signals	00-02	50	SQ3	2	37136				500/5,000	600/6,000	30
		29	RT4	2	75725	0	CN,HM		900/6,000	1,000/10,000	15
		30	SQ5	2	41930		@,CN,HM		1,000/10,000	1,200/12,000	35
Suburban 1500 w/Amber Turn Signals	03-06	50	SQ3	2	37136				500/5,000	600/6,000	30
		29	RT4	2	75725	0	CN,HM		900/6,000	1,000/10,000	15
		30	SQ5	2	41930		@,CN,HM		1,000/10,000	1,200/12,000	35
Suburban 2500 w/Amber Turn Signals	00-02	50	SQ3	2	37136				500/5,000	600/6,000	30
		29	RT4	2	75725	0	CN,HM		900/6,000	1,000/10,000	15
		30	SQ5	2	41930		@,CN,HM		1,000/10,000	1,200/12,000	35
Suburban 2500 w/Amber Turn Signals	00-06	53	SQ5	2-1/2	45515		#		1,200/12,000	1,700/14,000	50
Suburban 2500 w/Amber Turn Signals	03-06	50	SQ3	2	37136				500/5,000	600/6,000	30
		29	RT4	2	75725	0	CN,HM		900/6,000	1,000/10,000	15
		30	SQ5	2	41930		@,CN,HM		1,000/10,000	1,200/12,000	35
Suburban C1500	92-99	50	SQ3	2	37136				500/5,000	600/6,000	30
		35	SQ3	2	75037		HM		500/5,000	750/7,500	30
		41	SQ4	2	41511		HM		600/6,000	1,000/10,000	30
Suburban C2500	92-99	50	SQ3	2	37136				500/5,000	600/6,000	30
		35	SQ3	2	75037		HM		500/5,000	750/7,500	30
		41	SQ4	2	41511		HM		600/6,000	1,000/10,000	30
Suburban K1500	92-99	50	SQ3	2	37136				500/5,000	600/6,000	30
		35	SQ3	2	75037		HM		500/5,000	750/7,500	30
		41	SQ4	2	41511		HM		600/6,000	1,000/10,000	30
Suburban K2500	92-99	50	SQ3	2	37136				500/5,000	600/6,000	30
		35	SQ3	2	75037		HM		500/5,000	750/7,500	30
		41	SQ4	2	41511		HM		600/6,000	1,000/10,000	30
Tahoe	95-00	50	SQ3	2	37136				500/5,000	600/6,000	30
		35	SQ3	2	75037		HM		500/5,000	750/7,500	30
		41	SQ4	2	41511		HM		600/6,000	1,000/10,000	30
Tahoe w/Amber Turn Signals	00-02	50	SQ3	2	37136				500/5,000	600/6,000	30
		29	RT4	2	75725	0	CN,HM		900/6,000	1,000/10,000	15
Tahoe w/Factory 7-Way	00-11										
Tahoe w/Amber Turn Signals	03-06	50	SQ3	2	37136				500/5,000	600/6,000	30
		29	RT4	2	75725	0	CN,HM		900/6,000	1,000/10,000	15
Tahoe	07-11										
Tahoe	15-20										

- |  |  |
|--|--|
| # Titan hitches require use of a 2-1/2" shank Titan ball mount.                  | HB Slight fascia deformation may occur on some models.   |
| @ Ultra Frame ball mount must be used to achieve maximum weight carrying rating. | HM Hitch cross-tube is visible beneath bumper.           |
| CN Requires OEM factory bumper for hitch installation.                           | JR Exhaust must be temporarily lowered for installation. |
| DU Fascia removal required.  | X Minor fascia trimming required.                        |
| GP Hitch cross-tube concealed behind bumper.                                     |  |

T-ONE						TOW HARNESS						4-FLAT WIRING				REQ. 4 FLAT WIRING		7-WAY HARDWIRE	BRAKE CONTROL HARNESS	IN		
PC	T-ONE	FN	IN	AMP	CP	PC	TOW HARN	FN	IN	AMP	CP	TYPE	ELEC	POS	CHOICE 1	CHOICE 2	6-WAY ADAPTER				7-WAY ADAPTER	
<b>CHEVROLET (Continued)</b>																						
							8551511 85219 74682	RD RD RD	5 10			7-Way 7-Way Both	A	PU3	119148	20252				3064-P	10	
E19	118640	CH	45	4.2,7.5	X								BT	PC3,4	119251	119191						
E19	118640	CH	45	4.2,7.5	X								BT	PC3,4	119251	119191						
E17	118755	CH	45	5.7,5	X								BT	PC3,4	119251	119191						
E17	118755	CH	45	5.7,5	X								BT	PC3,4	119251	119191						
E19	118575	CH	45	2.1,5.6	X								BM	PC3,4	119251	119191						
E18	118694	CH	45	4.2,7.5	X								BT	PC3,4	119251	119191						
													BT	PC3,4	119251	119191						
E19	118575	CH	45	2.1,5.6	X								BM	PC3,4	119251	119191						
							74682 8551511 85219	RD RD RD	10 5			Both 7-Way 7-Way	H	SUV6	119148	20252						
						E8	118384	BN,RD	5	7.5		4-Flat	H	SUV6	119148	20252						
																					3016-P	5
E8	118384	BN	5	7.5									A	SUV6	119148	20252	20320	20321	20224	3025-P	5	
E8	118384	BN	5	7.5									A	SUV6	119148	20252	20320	20321	20224	3015-P	5	
E8	118384	BN	5	7.5									A	SUV6	119148	20252	20320	20321	20224	3025-P	5	
E8	118384	BN	5	7.5									A	SUV6	119148	20252	20320	20321	20224	3025-P	5	
E8	118384	BN	5	7.5									A	SUV6	119148	20252	20320	20321	20224	3015-P	5	
E4	118319	BN	5	7.5									A	SUV6	119148	20252	20320	20321	20224			
E4	118319	BN	5	7.5									A	SUV6	119148	20252	20320	20321	20224			
E4	118319	BN	5	7.5									A	SUV6	119148	20252	20320	20321	20224			
E4	118319	BN	5	7.5									A	SUV6	119148	20252	20320	20321	20224			
E4	118319	BN	5	7.5									A	SUV6	119148	20252	20320	20321	20224			
E8	118384	BN	5	7.5									A	SUV6	119148	20252	20320	20321	20224	3025-P	5	
							74682 8551511 85219	RD RD RD	10 5			Both 7-Way 7-Way	H	SUV6	119148	20252						
E8	118384	BN	5	7.5									A	SUV6	119148	20252	20320	20321	20224	3015-P	5	
						E8	118384	BN,RD	5	7.5		4-Flat	H	SUV6	119148	20252						
																					3016-P	5

**A** 2 wire system.

**BM** Multiplexed wiring system. ModuLite® HD Plus or Ultra required.

**BN** Exterior mounted plug on some or all models. May require an aftermarket electrical mounting box or bracket. (Sold separately)

**BT** Shared Brake/Tail multiplexed wiring system. ModuLite® HD Plus or Ultra required.

**CH** T-One is equipped with circuit protected ModuLite® module.

**H** 3 wire system with OEM standard 2 wire harness.

**RD** For vehicles equipped with factory tow package may require additional components or may be used as a replacement harness.

**RT4** Round Tube Class IV 2"

**SQ1** Square Tube Class I

**SQ3** Square Tube Class III

**SQ4** Square Tube Class IV

**SQ5** Square Tube Class V

**RECEIVER HITCH APPLICATIONS**

MODEL / STYLE	YEAR	TRAILER HITCHES										
		PC	REC TYPE	REC SIZE	PART NO.	NO DRILL	FOOTNOTES	OPTIONAL DRAWBAR	WC (LBS.)	WD (LBS.)	IN	
<i>For vehicles prior to 2001,</i>												
<b>CHEVROLET (Continued)</b>												
Tracker	98	24	SQ1	1-1/4	24622	0	HM	3593	200/2,000		20	
Tracker	99-04	29	SQ1	1-1/4	24673	0	HM	3591	200/2,000		15	
		29	SQ3	2	41537	0	HM			350/3,500	15	
TrailBlazer w/Factory 7-Way	02-09											
Trailblazer	21	25	SQ2	1-1/4	37134	0	X,GP,AA		350/3,500		60	
Traverse	09-12	19	RT3	2	75528	0	GP,JR,TN		750/5,000	750/7,500	25	
Traverse w/Factory 7-Way	09-12											
Traverse	13-17	19	RT3	2	75528	0	GP,JR,TN		750/5,000	750/7,500	25	
Traverse	18-20	30	SQ3	2	76184	0	DU,JR		750/5,000	750/5,000	75	
Trax	13-16	25	RT2	1-1/4	36554	0	HM,JR	36061	300/3,500		40	
Trax Except LS	17-20	25	RT2	1-1/4	36554	0	HM,JR	36061	300/3,500		40	
Trax LS	17-21	25	RT2	1-1/4	36554	0	HM,JR	36061	300/3,500		40	
Trax Except LS	21	25	RT2	1-1/4	36554	0	HM,JR	36061	300/3,500		40	
Uplander	05-08	27	SQ2	1-1/4	36361		AL,GP,JR	36061	300/3,500		40	
		22	SQ3	2	75278		AL,GP,JR			350/3,500	500/5,000	40
Uplander (Canada Only)	09	27	SQ2	1-1/4	36361		AL,GP,JR	36061	300/3,500		40	
		22	SQ3	2	75278		AL,GP,JR			350/3,500	500/5,000	40
Venture	97-05	27	SQ1	1-1/4	24721†		†,AL,GP,JR	3592	200/2,000		30	
		27	SQ2	1-1/4	36361		AL,GP,JR			36061	300/3,500	40
		22	SQ3	2	75278		AL,GP,JR			350/3,500	500/5,000	40
Volt	16-19	16	SQ1		24947	0	GP,DU,SV,JR	3593	200/2,000		60	
<b>CHRYSLER</b>												
200 4 Dr. Sedan	11	28	SQ1	1-1/4	24871	0	GP,JR	3594	200/2,000		15	
200 Convertible	11	28	SQ1	1-1/4	24871	0	GP,JR	3594	200/2,000		15	
200 4 Dr. Sedan	12-14	28	SQ1	1-1/4	24871	0	GP,JR	3594	200/2,000		15	
200 Convertible	12-14	28	SQ1	1-1/4	24871	0	GP,JR	3594	200/2,000		15	
200 4 Dr. Sedan	15-18	27	SQ1	1-1/4	24919	0	GP,SV	3593	200/2,000		20	
300	05-07	25	SQ2	1-1/4	36548	0	HM	36061	300/3,500		30	
		23	SQ3	2	76145	0	HM			675/4,500	30	
300	08-10	25	SQ2	1-1/4	36548	0	HM	36061	300/3,500		30	
		23	SQ3	2	76145	0	HM			675/4,500	30	
300	11-14	25	SQ2	1-1/4	36548	0	HM	36061	300/3,500		40	
		23	SQ3	2	76145	0	HM			675/4,500	40	
300	15-20	25	SQ2	1-1/4	36548	0	HM	36061	300/3,500		30	
		23	SQ3	2	76145	0	HM			675/4,500	30	
300 C	05-07											
300 C	11-14											
300M	99-01	35	SQ2	1-1/4	36275†		†,HM,JR	36071	300/3,500		30	
300M Except Special	02-04	35	SQ2	1-1/4	36275†		†,HM,JR	36071	300/3,500		30	
Aspen	07-08	18	SQ4	2	75162		AI		600/6,000	900/9,000	50	
Aspen w/Factory 7-Way	07-08											
Aspen w/Factory 7-Way	07-09											
Aspen	09	18	SQ4	2	75162		AI		600/6,000	900/9,000	50	
Cirrus	95-00	40	SQ2	1-1/4	36301		JR,HM	36061	300/3,500		60	
Concorde	93-97	43	SQ2	1-1/4	36170†		†,JR,TA,HM	36061	300/3,500		40	
Concorde	98-01	42	SQ2	1-1/4	36270†		†,HM	36071	300/3,500		35	
Intrepid (Canada Only)	93-97	43	SQ2	1-1/4	36170†		†,JR,TA,HM	36061	300/3,500		40	

† Available while supply lasts.	HM Hitch cross-tube is visible beneath bumper.
AA Requires temporary removal of bumper during installation.	JR Exhaust must be temporarily lowered for installation.
AI Additional installation time may be required.	SV Trimming or removal of under body appearance panel may be required.
AL Additional installation time required for vehicles equipped with load leveling compressor.	TA Trunk access required for hitch installation.
DU Fascia removal required.	TN Hitches produced before 07/09/12 are rated at 500/5000 WC & 500/5000 WD.
GP Hitch cross-tube concealed behind bumper.	X Minor fascia trimming required.

T-ONE						TOW HARNESS						4-FLAT WIRING				REQ. 4 FLAT WIRING		7-WAY HARDWARE	BRAKE CONTROL HARNESS	IN
PC	T-ONE	FN	IN	AMP	CP	PC	TOW HARN	FN	IN	AMP	CP	TYPE	ELEC	POS	CHOICE 1	CHOICE 2	6-WAY ADAPTER			
<b>CHEVROLET (Continued)</b>																				
E5	118372	HG	5	2.1,5									B	SUV1,2	119130	119178				
E5	118372	HG	5	2.1,5									B	SUV3	119130	119178	20320	20321	20224	
						E8	118384 74682 8551511 85219	BN,RD RD RD RD	5 10 5	7.5		4-Flat Both 7-Way 7-Way	H	SUV6	119148	20252				
E26	118825	CH	45	5,7,5	X								BT	SUV3,4						
E7	118450	BN	10	7.5		E8	118384	BN,RD	5	7.5		4-Flat	N	SUV1,2		119251	20320	20321		3026-P
							8551511 85219 74682	RD RD RD	5 10			7-Way 7-Way Both	N	SUV6		119251				3026-P
E10	118270	BN	20	7.5		E16	118271	BN	20			7-Way	B,E	SUV1,2	119191	119148	20320	20321	20224	3026-P
E4	118761	BN,CH	15	7.5	X	E9	118287	BN	15			7-Way	A	SUV5						
E16	118659	CH	45	4,2,7,5	X								B,E	SUV3,4	119191	119148	20320	20321		
E16	118751	CH	45	4,2,7,5	X								B,E	SUV3,4	119191	119148	20320	20321		
E16	118659	CH	45	4,2,7,5	X								B,E	SUV3,4	119191	119148	20320	20321		
													B,E	SUV3,4	119191	119148	20320	20321		
E10	118396	BN	15	7.5									A	SUV1,2	119148	20252	20320	20321	20224	
E10	118396	BN	15	7.5									A	SUV1,2	119148	20252	20320	20321	20224	
E10	118355	HG	10	2.1,5									B	SUV3	119130	119178	20320	20321	20224	
E17	118726	CH,BN	45	5,7,5	X								B,E	PC1,2	119191	119148				
<b>CHRYSLER</b>																				
E18	118550	BN,CH	45	2,1,5,6	X								B,E	PC1,2	119191	119148				
E18	118550	BN,CH	45	2,1,5,6	X								B,E	PC1,2	119191	119148				
E17	118577	CH	45	2,1,5,6	X								N	PC1,2		119251				
E17	118577	CH	45	2,1,5,6	X								N	PC1,2		119251				
E15	118638	CH	45	2,1,5,6	X								A,E	PC3,4	119191	119148				
E7	118404		10	7.5									A	PC3,4	119148	20252				
E14	118406	CH	15	2,1,5,6	X								B,E	PC3,4	119191	119148				
E16	118600	CH	25	2,1,5,6	X								N	PC3,4		119251				
E15	118658	CH	45	4,2,7,5	X								A,E	PC3,4	119191	119148				
E14	118406	CH	15	2,1,5,6	X								B,E	PC3,4	119191	119148				
E16	118600	CH	25	2,1,5,6	X								N	PC3,4						
E12	118364	BN,HG	15	2.1,5									B	PC1,2	119130	119178				
E12	118364	BN,HG	15	2.1,5									B	PC1,2	119130	119178				
E15	118390	BN,CH	45	2,1,5,6	X	E3	118381	BN,RD	5	7.5		4-Flat	B,E	SUV1,2	119191	119148	20320	20321	20224	3020-P
							20135	RD	10			Both	H	SUV6	119148	20252				
							74682	RD	10			Both	H	SUV6	119148	20252				3020-P
							85219	RD	5			7-Way								
E15	118390	BN,CH	45	2,1,5,6	X	E8	118384	BN,RD	5	7.5		4-Flat	B,E	SUV1,2	119191	119148	20320	20321	20224	3020-P
													B	PC3,4	119130	119178				
													B	PC3,4	119130	119178				
E12	118364	BN,HG	15	2.1,5									B	PC1,2	119130	119178				
													B	PC3,4	119130	119178				

**A** 2 wire system.  
**B** 3 wire system. Converter required.  
**BN** Exterior mounted plug on some or all models. May require an aftermarket electrical mounting box or bracket. (Sold separately)  
**BT** Shared Brake/Tail multiplexed wiring system. ModuLite® HD Plus or Ultra required.  
**CH** T-One is equipped with circuit protected ModuLite® module.

**E** ModuLite® required.  
**H** 3 wire system with OEM standard 2 wire harness.  
**HG** T-One incorporates taillight converter.  
**N** DO NOT cut or splice vehicle wiring. Only use approved T-One or see auto dealer for trailer tow wiring kit.  
**RD** For vehicles equipped with factory tow package may require additional components or may be used as a replacement harness.

**RT2** Round Tube Class II 1-1/4"  
**RT3** Round Tube Class III 2"  
**SQ1** Square Tube Class I  
**SQ2** Square Tube Class II  
**SQ3** Square Tube Class III  
**SQ4** Square Tube Class IV



# RECEIVER HITCH APPLICATIONS

RECEIVER HITCHES

MODEL / STYLE	YEAR	TRAILER HITCHES									
		PC	REC TYPE	REC SIZE	PART NO.	NO DRILL	FOOTNOTES	OPTIONAL DRAWBAR	WC (LBS.)	WD (LBS.)	IN
<i>For vehicles prior to 2001,</i>											
<b>CHRYSLER (Continued)</b>											
LHS	94-97	43	SQ2	1-1/4	36170†	0	†,JR,TA,HM	36063	300/3,500		40
Pacifica	04-08	37	RT3	2	75522	0	JR		350/3,500	500/5,000	45
Pacifica w/Factory 7-Way	04-08										
Pacifica Hybrid (Needs Conversion Kit: 76046SK)	17-20	26	RT2	1-1/4	36798	0	GP, JR, SV, KH, TW	36071	300/3,500		45
		28	RT3	2	76046	0	GP, JR, SV, KH, TW		675/4,500	675/5,000	45
Pacifica Limited	17-20	26	RT2	1-1/4	36798	0	GP, JR, SV, KH, TW	36071	300/3,500		45
		28	RT3	2	76046	0	GP, JR, SV, KH, TW		675/4,500	675/5,000	45
Pacifica LX	17-20	26	RT2	1-1/4	36798	0	GP, JR, SV, KH, TW	36071	300/3,500		45
		28	RT3	2	76046	0	GP, JR, SV, KH, TW		675/4,500	675/5,000	45
Pacifica Touring	17-20	26	RT2	1-1/4	36798	0	GP, JR, SV, KH, TW	36071	300/3,500		45
		28	RT3	2	76046	0	GP, JR, SV, KH, TW		675/4,500	675/5,000	45
Pacifica Touring L	17-20	26	RT2	1-1/4	36798	0	GP, JR, SV, KH, TW	36071	300/3,500		45
		28	RT3	2	76046	0	GP, JR, SV, KH, TW		675/4,500	675/5,000	45
Pacifica Touring L Plus	17-20	26	RT2	1-1/4	36798	0	GP, JR, SV, KH, TW	36071	300/3,500		45
		28	RT3	2	76046	0	GP, JR, SV, KH, TW		675/4,500	675/5,000	45
Pacifica Touring Plus	17-20	26	RT2	1-1/4	36798	0	GP, JR, SV, KH, TW	36071	300/3,500		45
		28	RT3	2	76046	0	GP, JR, SV, KH, TW		675/4,500	675/5,000	45
PT Cruiser	01-04	31	SQ1	1-1/4	24759		JR, GP	3593	200/2,000		30
PT Cruiser	05-10	31	SQ1	1-1/4	24759		JR, GP	3593	200/2,000		30
PT Cruiser Convertible	05-09	31	SQ1	1-1/4	24759		JR, GP	3593	200/2,000		30
Sebring 4 Dr.	01-06	40	SQ2	1-1/4	36301		JR, HM	36061	300/3,500		60
Sebring Convertible	01-06	28	SQ1	1-1/4	24711		GP	3592	200/2,000		15
Sebring Convertible	07-10	28	SQ1	1-1/4	24871	0	GP, JR	3594	200/2,000		15
Sebring Except Convertible	07-10	28	SQ1	1-1/4	24871	0	GP, JR	3594	200/2,000		15
		30	SQ2	1-1/4	36448		GP, JR	36065	300/3,500		30
Town & Country	96-00	23	SQ2	1-1/4	36296	0	GP	36071	300/3,500		30
		30	RT3	2	75119				350/3,500	500/5,000	30
		50	SQ3	2	37136				500/5,000	600/6,000	40
Town & Country	01-03	23	SQ2	1-1/4	36296	0	GP	36071	300/3,500		30
		30	RT3	2	75119	0			350/3,500	500/5,000	30
		50	SQ3	2	37136				500/5,000	600/6,000	40
Town & Country Except w/Stow & Go Seats	04-07	23	SQ2	1-1/4	36296	0	GP	36071	300/3,500		30
		30	RT3	2	75119	0			350/3,500	500/5,000	30
		50	SQ3	2	37136				500/5,000	600/6,000	40
Town & Country w/Stow & Go Seats	05-07	45	SQ2	1-1/4	36320	0	HM	36071	300/3,500		25
		54	SQ3	2	75305	0			350/3,500	400/4,000	25
Town & Country	08-10	24	SQ2	1-1/4	36455	0	GP, JR	36061	300/3,500		20
		19	SQ3	2	75579	0	GP, JR		400/4,000	500/5,000	20
Town & Country	11-16	24	SQ2	1-1/4	36455	0	GP, JR	36061	300/3,500		20
		19	SQ3	2	75579	0	GP, JR		400/4,000	500/5,000	20
Voyager	01-03	23	SQ2	1-1/4	36296	0	GP	36071	300/3,500		30
		30	RT3	2	75119	0			350/3,500	500/5,000	30
		50	SQ3	2	37136				500/5,000	600/6,000	40
<b>DODGE</b>											
Avenger	08-10	28	SQ1	1-1/4	24871	0	GP, JR	3594	200/2,000		15
		30	SQ2	1-1/4	36448		GP, JR	36065	300/3,500		30
Avenger	11	28	SQ1	1-1/4	24871	0	GP, JR	3594	200/2,000		15
Avenger	12-14	28	SQ1	1-1/4	24871	0	GP, JR	3594	200/2,000		15
Caliber	07	23	SQ1	1-1/4	24769	0	GP	3591	200/2,000		15
Caliber Except SRT-4	08-12	23	SQ1	1-1/4	24769	0	GP	3591	200/2,000		15
Caravan	96-00	23	SQ2	1-1/4	36296	0	GP	36071	300/3,500		30
		30	RT3	2	75119				350/3,500	500/5,000	30
		50	SQ3	2	37136				500/5,000	600/6,000	40

† Available while supply lasts.  
 GP Hitch crosstube concealed behind bumper.  
 HM Hitch crosstube is visible beneath bumper.  
 JR Exhaust must be temporarily lowered for installation.

KH Minor heat shield modification may be required.  
 SV Trimming or removal of under body appearance panel may be required.  
 TA Trunk access required for hitch installation.  
 TW Receiver hitch may limit hands-free liftgate sensor range

T-ONE						TOW HARNESS					4-FLAT WIRING				REQ. 4 FLAT WIRING		7-WAY HARDWIRE	BRAKE CONTROL HARNESS	IN	
PC	T-ONE	FN	IN	AMP	CP	PC	TOW HARN	FN	IN	AMP	CP	TYPE	ELEC	POS	CHOICE 1	CHOICE 2				6-WAY ADAPTER
<b>CHRYSLER (Continued)</b>																				
E17	118303	BN,CH	25	2.1,5.6	X	E3	118381	BN,RD	5	7.5		4-Flat	B	PC3,4	119130	119178				
							20135	RD	10			Both	B,E	SUV1,2	119191	119148	20320	20321	20224	
													H	SUV6	119148	20252				
																			3045-P	5
E15	118712	CH,BN	45	4.2,7.5	X								A,E	SUV1,2	119191	119148				
E18	118723	CH,BN	45		X								A,E	SUV1,2	119191	119148				
E18	118723	CH,BN	45		X								A,E	SUV1,2	119191	119148				
E15	118712	CH,BN	45	4.2,7.5	X								A,E	SUV1,2	119191	119148				
E15	118712	CH,BN	45	4.2,7.5	X								A,E	SUV1,2	119191	119148				
E15	118712	CH,BN	45	4.2,7.5	X								A,E	SUV1,2	119191	119148				
E19	118462	BN,CH	45	2.1,4.2	X								B	SUV1,2	119130	119178				
E19	118462	BN,CH	45	2.1,4.2	X								B,E	SUV1,2	119191	119148	20320	20321		
													B,E	SUV1,2	119191	119148				
													B	PC3,4	119130	119178				
													B	PC3,4	119130	119178				
E19	118444	BN,CH	45	2.1,4.2	X								B,E	PC3,4	119191	119148				
E19	118444	BN,CH	45	2.1,4.2	X								B,E	PC3,4	119191	119148				
E12	118334	HG	20	2.1,5									B	SUV1,2	119130	119178	20320	20321	20224	
E8	118376	HG	15	2.1,5									B	SUV1,2	119130	119178	20320	20321	20224	
E7	118300		20	7.5									A	SUV1,2	119148	20252	20320	20321	20224	
E7	118300		20	7.5									A	SUV1,2	119148	20252	20320	20321	20224	
E18	118552	CH	45	4.2,7.5	X								A,E	SUV1,2	119191	119148	20320	20321	20224	
E18	118534	BN,CH	45	4.2,7.5	X								C,E	SUV1,2	119191	119148	20320	20321	20224	
E8	118376	HG	15	2.1,5									B	SUV1,2	119130	119178	20320	20321	20224	
<b>DODGE</b>																				
E19	118445	BN,CH	45	2.1,4.2	X								A,E	PC1,2	119191	119148				
E18	118550	BN,CH	45	2.1,5.6	X								B,E	PC1,2	119191	119148				
E17	118577	CH	45	2.1,5.6	X								N	PC1,2		119251				
E18	118428	BN,CH	45	2.1,4.2	X								B,E	PC1,2	119191	119148				
E18	118552	CH	45	4.2,7.5	X								A,E	PC1,2	119191	119148	20320	20321	20224	
E12	118334	HG	20	2.1,5									B	SUV1,2	119130	119178	20320	20321	20224	

**A** 2 wire system.  
**B** 3 wire system. Converter required.  
**BN** Exterior mounted plug on some or all models. May require an aftermarket electrical mounting box or bracket. (Sold separately)  
**C** 2 or 3 wire system determine at installation.  
**CH** T-One is equipped with circuit protected ModuLite® module.

**E** ModuLite® required.  
**H** 3 wire system with OEM standard 2 wire harness.  
**HG** T-One incorporates taillight converter.  
**N** DO NOT cut or splice vehicle wiring. Only use approved T-One or see auto dealer for trailer tow wiring kit.  
**RD** For vehicles equipped with factory tow package may require additional components or may be used as a replacement harness.

**RT2** Round Tube Class II 1-1/4"  
**RT3** Round Tube Class III 2"  
**SQ1** Square Tube Class I  
**SQ2** Square Tube Class II  
**SQ3** Square Tube Class III

# RECEIVER HITCH APPLICATIONS

RECEIVER HITCHES

D - DODGE

MODEL / STYLE	YEAR	TRAILER HITCHES									
		PC	REC TYPE	REC SIZE	PART NO.	NO DRILL	FOOTNOTES	OPTIONAL DRAWBAR	WC (LBS.)	WD (LBS.)	IN
<i>For vehicles prior to 2001,</i>											
<b>DODGE (Continued)</b>											
Caravan	01-03	23	SQ2	1-1/4	36296	0	GP	36071	300/3,500		30
		30	RT3	2	75119	0			350/3,500	500/5,000	30
		50	SQ3	2	37136				500/5,000	600/6,000	40
Caravan Except w/Stow & Go Seats	04-07	23	SQ2	1-1/4	36296	0	GP	36071	300/3,500		30
		30	RT3	2	75119	0			350/3,500	500/5,000	30
		50	SQ3	2	37136				500/5,000	600/6,000	40
Challenger Except Models w/Quad Tip Exhaust	08-14	25	SQ2	1-1/4	36548	0	HM	36061	300/3,500		30
		23	SQ3	2	76145	0	HM		675/4,500		30
Challenger Except Models w/Quad Tip Exhaust	15-20	25	SQ2	1-1/4	36548	0	HM	36061	300/3,500		30
		23	SQ3	2	76145	0	HM		675/4,500		30
Charger	06-10	25	SQ2	1-1/4	36548	0	HM	36061	300/3,500		30
		23	SQ3	2	76145	0	HM		675/4,500		30
Charger	11-14	25	SQ2	1-1/4	36548	0	HM	36061	300/3,500		30
		23	SQ3	2	76145	0	HM		675/4,500		30
Charger	15-20	25	SQ2	1-1/4	36548	0	HM	36061	300/3,500		30
		23	SQ3	2	76145	0	HM		675/4,500		30
Dakota	97-99	50	SQ3	2	37136		CT, GU		500/5,000	600/6,000	35
		34	SQ3	2	75038		GU, GP		500/5,000	800/8,000	30
		31	SQ3	2	75073	0	GU, GP		500/5,000	750/7,500	15
Dakota	00-01	50	SQ3	2	37136		CT, GU		500/5,000	600/6,000	35
		34	SQ3	2	75038		GU, GP		500/5,000	800/8,000	30
		31	SQ3	2	75073	0	GU, GP		500/5,000	750/7,500	15
Dakota w/Factory 7-Way	00-09										
Dakota	02-03	34	SQ3	2	75038		GU, GP		500/5,000	800/8,000	30
		31	SQ3	2	75073	0	GU, GP		500/5,000	750/7,500	15
Dakota Except Quad Cab	02-03	50	SQ3	2	37136		CT, GU		500/5,000	600/6,000	35
Dakota	04	34	SQ3	2	75038		GU, GP		500/5,000	800/8,000	30
		31	SQ3	2	75073	0	GU, GP		500/5,000	750/7,500	15
Dakota Except Quad Cab	04	50	SQ3	2	37136		CT, GU		500/5,000	600/6,000	35
Dakota	05-09	27	SQ3	2	75251	0	HM		500/5,000	800/8,000	20
Dakota	10	27	SQ3	2	75251	0	HM		500/5,000	800/8,000	20
Dart	13-16	30	SQ1	1-1/4	24890	0	HM	3592	200/2,000		20
Durango	98-99	34	SQ3	2	75081	0	GP		500/5,000	750/7,500	15
Durango	00-03	34	SQ3	2	75081	0	GP		500/5,000	750/7,500	15
Durango w/Factory 7-Way	00-08										
Durango	04-06	18	SQ4	2	75162		AI		600/6,000	900/9,000	50
		39	RT4	2	75292	0			600/6,000	900/9,000	20
Durango	07-08	18	SQ4	2	75162		AI		600/6,000	900/9,000	50
Durango	09	18	SQ4	2	75162		AI		600/6,000	900/9,000	50
Durango w/Factory 7-Way	09										
Durango	11-13	25	RT4	2	75713	0	CS, HM		900/6,000	900/7,500	20
		31	SQ4	2	76196	0	DU, GP, JR, TZ		900/6,000	900/7,500	90
Durango	14-20	25	RT4	2	75713	0	CS, HM		900/6,000	900/7,500	20
		31	SQ4	2	76196	0	DU, GP, JR, TZ		900/6,000	900/7,500	90
Durango	21	25	RT4	2	75713	0	CS, HM		900/6,000	900/7,500	20
		31	SQ4	2	76196	0	DU, GP, JR, TZ		900/6,000	900/7,500	90
Grand Caravan	96-00	23	SQ2	1-1/4	36296	0	GP	36071	300/3,500		30
		30	RT3	2	75119				350/3,500	500/5,000	30
		50	SQ3	2	37136				500/5,000	600/6,000	40
Grand Caravan	01-03	23	SQ2	1-1/4	36296	0	GP	36071	300/3,500		30
		30	RT3	2	75119	0			350/3,500	500/5,000	30
		50	SQ3	2	37136				500/5,000	600/6,000	40

- |  |  |
|--|--|
| <b>AI</b> Additional installation time may be required.            | <b>GU</b> Will not fit vehicles with factory or aftermarket lower Fascia/Rollpan or Tube Bumper. |
| <b>CS</b> Will fit with full-size spare tire stowed under vehicle. | <b>HM</b> Hitch cross tube is visible beneath bumper.  |
| <b>CT</b> Will not fit long bed models after 1999.                 | <b>JR</b> Exhaust must be temporarily lowered for installation.                                  |
| <b>DU</b> Fascia removal required.                                 | <b>TZ</b> Requires replacement of the impact structure with hitch.                               |
| <b>GP</b> Hitch cross tube concealed behind bumper.                |  |

T-ONE						TOW HARNESS						4-FLAT WIRING				REQ. 4 FLAT WIRING		7-WAY HARDWIRE	BRAKE CONTROL HARNESS	IN	
PC	T-ONE	FN	IN	AMP	CP	PC	TOW HARN	FN	IN	AMP	CP	TYPE	ELEC	POS	CHOICE 1	CHOICE 2	6-WAY ADAPTER				7-WAY ADAPTER
<b>DODGE (Continued)</b>																					
E8	118376	HG	15	2.1,5									B	SUV1,2	119130	119178	20320	20321	20224		
E7	118300		20	7.5									A	SUV1,2	119148	20252	20320	20321	20224		
E7	118404		10	7.5									A	PC3,4	119148	20252					
E16	118656	CH	45	4,2,7,5	X								A,E	PC3,4	119191	119148					
E7	118404		10	7.5									A	PC3,4	119148	20252					
E19	118560	CH	25	4,2,7,5	X								N	PC3,4		119251					
E15	118655	CH	45	4,2,7,5	X								A,E	PC3,4	119191	119148					
E7	118329	BN,HJ	5	7.5									A	PU3,4	119148	20252	20320	20321	20224	3020-P	5
E7	118329	BN,HJ	5	7.5		E3	118381	BN,RD	5	7.5		4-Flat	A	PU3,4	119148	20252	20320	20321	20224	3020-P	5
							20135	RD	10			Both	A	PU3	119148	20252					
E7	118329	BN,HJ	5	7.5		E3	118381	BN,RD	5	7.5		4-Flat	A	PU3,4	119148	20252	20320	20321	20224	3020-P	5
E7	118329	BN,HJ	5	7.5		E3	118381	BN,RD	5	7.5		4-Flat	A	PU3,4	119148	20252	20320	20321	20224	3020-P	5
E8	118323	BN,HJ	10	7.5		E3	118381	BN,RD	5	7.5		4-Flat	A	PU1,2	119148	20252	20320	20321	20224	3020-P	5
E8	118323	BN,HJ	10	7.5		E3	118381	BN,RD	5	7.5		4-Flat	A	PU1,2	119148	20252	20320	20321	20224	3020-P	5
E8	118323	BN,HJ	10	7.5									A	PU1,2	119148	20252	20320	20321	20224	3020-P	5
E16	118568		25	4,2,7,5	X								A,E	PC3,4	119191	119148					
E12	118334	BN,HG	20	2.1,5									B	SUV1,2	119130	119178	20320	20321	20224	3020-P	5
E12	118334	BN,HG	20	2.1,5		E3	118381	BN,RD	5	7.5		4-Flat	B	SUV1,2	119130	119178	20320	20321	20224	3020-P	5
							20135	RD	10			Both	H	SUV6	119148	20252					
E15	118390	BN,CH	45	2.1,5,6	X	E3	118381	BN,RD	5	7.5		4-Flat	B,E	SUV1,2	119191	119148	20320	20321	20224	3020-P	5
E15	118390	BN,CH	45	2.1,5,6	X	E3	118381	BN,RD	5	7.5		4-Flat	B,E	SUV1,2	119191	119148	20320	20321	20224	3020-P	5
E15	118390	BN,CH	45	2.1,5,6	X	E8	118384	BN,RD	5	7.5		4-Flat	B,E	SUV1,2	119191	119148	20320	20321	20224	3020-P	5
							74682	RD	10			Both	H	SUV6	119148	20252					
E18	118552	CH	45	4,2,7,5	X								A,E	SUV1,2	119191	119148	20320	20321	20224	3045-P	5
E16	118617	CH,BN	45	4,2,7,5	X								A,E	SUV1,2	119191	119148	20320	20321	20224	3045-P	5
E16	118617	CH,BN	45	4,2,7,5	X								A,E	SUV1,2	119191	119148	20320	20321	20224		
E12	118334	HG	20	2.1,5									B	SUV1,2	119130	119178	20320	20321	20224		
E8	118376	HG	15	2.1,5									B	SUV1,2	119130	119178	20320	20321	20224		

- A** 2 wire system.
- B** 3 wire system. Converter required.
- BN** Exterior mounted plug on some or all models. May require an aftermarket electrical mounting box or bracket. (Sold separately)
- CH** T-One is equipped with circuit protected ModuLite® module.
- E** ModuLite® required.
- H** 3 wire system with OEM standard 2 wire harness.
- HG** T-One incorporates taillight converter.
- HJ** Per Dodge owner's manual: If trailer is equipped with more than standard lighting (1 taillight per side) use of ModuLite® or dealer supplied harness is required.
- N** DO NOT cut or splice vehicle wiring. Only use approved T-One or see auto dealer for trailer tow wiring kit.
- RD** For vehicles equipped with factory tow package may require additional components or may be used as a replacement harness.

- RT3** Round Tube Class III 2"
- RT4** Round Tube Class IV 2"
- SQ1** Square Tube Class I
- SQ2** Square Tube Class II
- SQ3** Square Tube Class III
- SQ4** Square Tube Class IV

# RECEIVER HITCH APPLICATIONS

MODEL / STYLE	YEAR	TRAILER HITCHES									
		PC	REC TYPE	REC SIZE	PART NO.	NO DRILL	FOOTNOTES	OPTIONAL DRAWBAR	WC (LBS.)	WD (LBS.)	IN
<i>For vehicles prior to 2001,</i>											
<b>DODGE (Continued)</b>											
Grand Caravan Except w/Stow & Go Seats	04-07	23	SQ2	1-1/4	36296	0	GP	36071	300/3,500		30
		30	RT3	2	75119	0			350/3,500	500/5,000	30
		50	SQ3	2	37136				500/5,000	600/6,000	40
Grand Caravan w/Stow & Go Seats	05-07	45	SQ2	1-1/4	36320	0	HM	36071	300/3,500		25
		54	SQ3	2	75305	0			350/3,500	400/4,000	25
Grand Caravan	08-10	24	SQ2	1-1/4	36455	0	GP, JR	36061	300/3,500		20
		19	SQ3	2	75579	0	GP, JR		400/4,000	500/5,000	20
Grand Caravan	11-20	24	SQ2	1-1/4	36455	0	GP, JR	36061	300/3,500		20
		19	SQ3	2	75579	0	GP, JR		400/4,000	500/5,000	20
Intrepid	93-97	43	SQ2	1-1/4	36170†		†, JR, TA, HM	36061	300/3,500		40
Journey	09	29	RT3	2	75648	0	HM, JR		400/4,000	400/4,000	25
		33	SQ3	2	76225	0	DU, FE, GP, JR, TZ		525/3,500		90
Journey	10	29	RT3	2	75648	0	HM, JR		400/4,000	400/4,000	25
		33	SQ3	2	76225	0	DU, FE, GP, JR, TZ		525/3,500		90
Journey w/LED Taillights	11-20	29	RT3	2	75648	0	HM, JR		400/4,000	400/4,000	25
		33	SQ3	2	76225	0	DU, FE, GP, JR, TZ		525/3,500		90
Journey Except w/LED Taillights	12-20	29	RT3	2	75648	0	HM, JR		400/4,000	400/4,000	25
		33	SQ3	2	76225	0	DU, FE, GP, JR, TZ		525/3,500		90
Magnum	05-08	25	SQ2	1-1/4	36548	0	HM	36061	300/3,500		30
		23	SQ3	2	76145	0	HM		675/4,500		30
Neon	00-05	42	SQ1	1-1/4	24701†		†, GP, JR	3593	200/2,000		20
Nitro	07	29	SQ3	2	75517	0	GP		500/5,000	600/6,000	20
Nitro	08-11	29	SQ3	2	75517	0	GP		500/5,000	600/6,000	20
Ram w/Factory 7-Way	00-01										
Ram 1500	95-01	49	RT3	2	37133		GU		500/5,000	750/7,500	40
		23	SQ3	2	75101	0			500/5,000	800/8,000	15
		37	SQ4	2	40050		CQ, GO, GX		600/6,000	1,000/10,000	40
		53	SQ4	2	41536	0			600/6,000	1,000/10,000	15
		54	RT4	2	37130		GU		700/7,000	1,200/12,000	40
		45	SQ5	2	41923	0	@, GP		1,200/12,000	1,400/14,000	35
Ram 1500 w/Deep Drop Bumper	95-01	34	SQ3	2	41504		CQ		500/5,000	1,000/10,000	40
Ram 1500 (Built Before 11/2002)	02-03	14	SQ3	2	75135	0	CP, DS, GU		500/5,000	1,000/10,000	15
Ram 1500 (Built Before 11/2002), w/Factory 7-Way	02-03										
Ram 1500 (Built After 11/2002)	03	11	SQ3	2	75151	0	CP, DS, GU		500/5,000	800/8,000	20
		46	SQ4	2	75420	0	CP, DY		600/6,000	1,000/10,000	25
		11	SQ4	2	75662	0	CP, DS		600/6,000	1,000/10,000	20
		37	SQ5	2	41929		@, DY, GP, KL, SG		1,200/12,000	1,500/15,000	35
		63	SQ5	2-1/2	45518		#, DY, KL, SB		1,200/12,000	1,700/14,000	35
Ram 1500 (Built After 11/2002) w/Factory 7-Way	03										
Ram 1500 Except Daytona/Hemi Sport Quad Cab/Ram Rumble Bee/SRT-10	04-05	11	SQ3	2	75151	0	CP, GU		500/5,000	800/8,000	20
		46	SQ4	2	75420	0	CP		600/6,000	1,000/10,000	25
		11	SQ4	2	75662	0	CP		600/6,000	1,000/10,000	20
		37	SQ5	2	41929		@, GP, KL, SG		1,200/12,000	1,500/15,000	35
		63	SQ5	2-1/2	45518		#, KL, SB		1,200/12,000	1,700/14,000	35
Ram 1500 Except Daytona/Hemi Sport Quad Cab/Ram Rumble Bee/SRT-10, w/Factory 7-Way	04-05										
Ram 1500	06-08	11	SQ3	2	75151	0	CP, GU		500/5,000	800/8,000	20
		46	SQ4	2	75420	0	CP		600/6,000	1,000/10,000	25
		11	SQ4	2	75662	0	CP		600/6,000	1,000/10,000	20
		37	SQ5	2	41929		@, GP, KL, SG		1,200/12,000	1,500/15,000	35
		63	SQ5	2-1/2	45518		#, KL, SB		1,200/12,000	1,700/14,000	35
Ram 1500 Except Mega Cab/SRT-10, w/Factory 7-Way	06-08										
Ram 1500	09	11	SQ4	2	75662	0	CP		600/6,000	1,000/10,000	20

- |    |  |    |   |
|----|--|----|---|
| #  | Titan hitches require use of a 2-1/2" shank Titan ball mount.  | GP | Hitch cross-tube concealed behind bumper.   |
| @  | Ultra Frame ball mount must be used to achieve maximum weight carrying rating.                       | GU | Will not fit vehicles with factory or aftermarket lower Fascia/Rollpan or Tube Bumper.      |
| †  | Available while supply lasts.  | GX | Requires fabrication of L-bracket to reposition exhaust on 1995 and later 6 ft. box models. |
| CP | Fits all models without factory installed receiver.  | HM | Hitch cross-tube is visible beneath bumper.   |
| CQ | Will not fit with heavy duty suspension.   | JR | Exhaust must be temporarily lowered for installation.                                       |
| DS | Use DT #75151 On 1500 Models Built After 11/1/02. Use DT #75135 On 1500 Models Built Before 11/1/02. | KL | Hitch is designed to attach beneath the OEM hitch.  |
| DU | Fascia removal required.   | SB | Will not fit models with short bed.   |
| DY | Use On 1500 Models Built After 11/1/02.  | SG | Hitches produced before 09/10/07 are rated at 1000/10000 WC & 1200/12000 WD.                |
| FE | Fascia trimming may be required. Allow additional installation time.                                 | TA | Trunk access required for hitch installation.   |
| GO | Requires hitch with packaging date code 2/15/94 or later.  | TZ | Requires replacement of the impact structure with hitch.                                    |

T-ONE						TOW HARNESS					4-FLAT WIRING				REQ. 4 FLAT WIRING		7-WAY HARDWARE	BRAKE CONTROL HARNESS	IN		
PC	T-ONE	FN	IN	AMP	CP	PC	TOW HARN	FN	IN	AMP	CP	TYPE	ELEC	POS	CHOICE 1	CHOICE 2				6-WAY ADAPTER	7-WAY ADAPTER
<b>DODGE (Continued)</b>																					
E7	118300		20	7.5									A	SUV1,2	119148	20252	20320	20321	20224		
E7	118300		20	7.5									A	SUV1,2	119148	20252	20320	20321	20224		
E18	118552	CH	45	4.2,7.5	X								A,E	SUV1,2	119191	119148	20320	20321	20224		
E18	118534	BN,CH	45	4.2,7.5	X								C,E	SUV1,2	119191	119148	20320	20321	20224		
													B	PC3,4	119130	119178					
E18	118474	CH	45	2.1,5.6	X								B,E	SUV1,2	119191	119148	20320	20321	20224		
E8	118495		10	7.5									A	SUV1,2	119148	20252	20320	20321	20224		
E17	118536	CH	45	4.2,7.5	X								BM	SUV1,2	119251	119191	20320	20321	20224		
E14	118567	CH	45	2.1,5.6	X								A,E	SUV1,2	119191	119148	20320	20321	20224		
E19	118402	BN,CH	45	2.1,5.6	X								B,E	PC1,2	119191	119148					
													A	PC3,4	119148	20252					
E19	118554	BN,CH	45	4.2,7.5	X								B	SUV1,2	119130	119178	20320	20321	20224		
E19	118554	BN,CH	45	4.2,7.5	X								B,E	SUV1,2	119191	119148	20320	20321	20224		
							20135	RD	10			Both	H	PU3	119148	20252					
E7	118329	BN,HJ	5	7.5									A	PU3,4	119148	20252	20320	20321	20224	3020-P	5
E7	118329	BN,HJ	5	7.5									A	PU3,4	119148	20252	20320	20321	20224	3020-P	5
						E3	118381	BN,RD	5	7.5		4-Flat	A	PU3	119148	20252	20320	20321	20224	3020-P	5
							20135	RD	10			Both	H	PU3	119148	20252					
						E3	118381	BN,RD	5	7.5		4-Flat	A	PU3	119148	20252	20320	20321	20224	3020-P	5
							20135	RD	10			Both	H	PU3	119148	20252					
						E3	118381	BN,RD	5	7.5		4-Flat	A	PU3	119148	20252	20320	20321	20224	3020-P	5
							20135	RD	10			Both	H	PU3	119148	20252					
						E3	118381	BN,RD	5	7.5		4-Flat	A	PU3	119148	20252	20320	20321	20224	3020-P	5
							20135	RD	10			Both	H	PU3	119148	20252					
						E8	118384	BN,RD	5	7.5		4-Flat	A	PU3	119148	20252	20320	20321	20224	3020-P	5

**A** 2 wire system.  
**B** 3 wire system. Converter required.  
**BM** Multiplexed wiring system. ModuLite® HD Plus or Ultra required.  
**BN** Exterior mounted plug on some or all models. May require an aftermarket electrical mounting box or bracket. (Sold separately)  
**C** 2 or 3 wire system determine at installation.

**CH** T-One is equipped with circuit protected ModuLite® module.  
**E** ModuLite® required.  
**H** 3 wire system with OEM standard 2 wire harness.  
**HJ** Per Dodge owner's manual: If trailer is equipped with more than standard lighting (1 taillight per side) use of ModuLite® or dealer supplied harness is required.  
**RD** For vehicles equipped with factory tow package may require additional components or may be used as a replacement harness.

**RT3** Round Tube Class III 2"  
**RT4** Round Tube Class IV 2"  
**SQ1** Square Tube Class I  
**SQ2** Square Tube Class II  
**SQ3** Square Tube Class III  
**SQ4** Square Tube Class IV  
**SQ5** Square Tube Class V

# RECEIVER HITCH APPLICATIONS

MODEL / STYLE	YEAR	TRAILER HITCHES									
		PC	REC TYPE	REC SIZE	PART NO.	NO DRILL	FOOTNOTES	OPTIONAL DRAWBAR	WC (LBS.)	WD (LBS.)	IN
<i>For vehicles prior to 2001,</i>											
<b>DODGE (Continued)</b>											
Ram 1500 w/Factory 7-Way	09-10										
Ram 1500	10	11	SQ4	2	75662	0	CP		600/6,000	1,000/10,000	20
Ram 2500	95-98	47	SQ5	2-1/2	45505		#,HX		1,200/12,000	1,700/14,000	45
Ram 2500	95-02	49	RT3	2	37133		GU		500/5,000	750/7,500	40
		23	SQ3	2	75101	0			500/5,000	800/8,000	15
		37	SQ4	2	40050		CQ,GO,GX		600/6,000	1,000/10,000	40
		53	SQ4	2	41536	0			600/6,000	1,000/10,000	15
		54	RT4	2	37130		GU		700/7,000	1,200/12,000	40
		45	SQ5	2	41923	0	@,GP		1,200/12,000	1,400/14,000	35
Ram 2500 w/Deep Drop Bumper	95-02	34	SQ3	2	41504		CQ		500/5,000	1,000/10,000	40
Ram 2500	99-02	54	SQ5	2-1/2	45513		#		1,200/12,000	1,700/14,000	30
Ram 2500 w/Factory 7-Way	02-09										
Ram 2500	03-05	11	SQ3	2	75151	0	CP,GU		500/5,000	800/8,000	20
		46	SQ4	2	75420	0	CP,DY		600/6,000	1,000/10,000	25
		11	SQ4	2	75662	0	CP		600/6,000	1,000/10,000	20
		37	SQ5	2	41929		@,GP,KL,SG		1,200/12,000	1,500/15,000	35
		63	SQ5	2-1/2	45518		#,KL,SB		1,200/12,000	1,700/14,000	35
		66	SQ5	2-1/2	45509		#,AA,GH,HM,LT,SO,TO		2,000/18,000	2,500/18,000	95
Ram 2500	06-09	11	SQ3	2	75151	0	CP,GU		500/5,000	800/8,000	20
		46	SQ4	2	75420	0	CP		600/6,000	1,000/10,000	25
		11	SQ4	2	75662	0	CP		600/6,000	1,000/10,000	20
		37	SQ5	2	41929		@,GP,KL,SG		1,200/12,000	1,500/15,000	35
		66	SQ5	2-1/2	45509		#,AA,GH,HM,LT,SO,TO		2,000/18,000	2,500/18,000	95
		63	SQ5	2-1/2	45518		#,KL,SB		1,200/12,000	1,700/14,000	35
Ram 2500 Except Mega Cab	06-09	63	SQ5	2-1/2	45518		#,KL,SB		1,200/12,000	1,700/14,000	35
Ram 2500	10	37	SQ5	2	41929		@,GP,KL,SG		1,200/12,000	1,500/15,000	35
		66	SQ5	2-1/2	45509		#,AA,GH,HM,LT,SO,TO		2,000/18,000	2,500/18,000	95
Ram 2500 Except Mega Cab	10	63	SQ5	2-1/2	45518		#,KL,SB		1,200/12,000	1,700/14,000	35
Ram 2500 w/Factory 7-Way	10										
Ram 3500	95-98	47	SQ5	2-1/2	45505		#,HX		1,200/12,000	1,700/14,000	45
Ram 3500	95-02	49	RT3	2	37133		GU		500/5,000	750/7,500	40
		23	SQ3	2	75101	0			500/5,000	800/8,000	15
		37	SQ4	2	40050		CQ,GO,GX		600/6,000	1,000/10,000	40
		53	SQ4	2	41536	0			600/6,000	1,000/10,000	15
		54	RT4	2	37130		GU		700/7,000	1,200/12,000	40
		45	SQ5	2	41923	0	@,GP		1,200/12,000	1,400/14,000	35
Ram 3500 w/Deep Drop Bumper	95-02	34	SQ3	2	41504		CQ		500/5,000	1,000/10,000	40
Ram 3500	99-02	54	SQ5	2-1/2	45513		#		1,200/12,000	1,700/14,000	30
Ram 3500 w/Factory 7-Way	02-09										
Ram 3500	03-05	11	SQ3	2	75151	0	CP,GU		500/5,000	800/8,000	20
		46	SQ4	2	75420	0	CP,DY		600/6,000	1,000/10,000	25
		11	SQ4	2	75662	0	CP		600/6,000	1,000/10,000	20
		37	SQ5	2	41929		@,GP,KL,SG		1,200/12,000	1,500/15,000	35
		63	SQ5	2-1/2	45518		#,KL,SB		1,200/12,000	1,700/14,000	35
		66	SQ5	2-1/2	45509		#,AA,GH,HM,LT,SO,TO		2,000/18,000	2,500/18,000	95
Ram 3500	06-09	11	SQ3	2	75151	0	CP,GU		500/5,000	800/8,000	20
		46	SQ4	2	75420	0	CP		600/6,000	1,000/10,000	25
		11	SQ4	2	75662	0	CP		600/6,000	1,000/10,000	20
		37	SQ5	2	41929		@,GP,KL,SG		1,200/12,000	1,500/15,000	35
		66	SQ5	2-1/2	45509		#,AA,GH,HM,LT,SO,TO		2,000/18,000	2,500/18,000	95
		63	SQ5	2-1/2	45518		#,KL,SB		1,200/12,000	1,700/14,000	35
Ram 3500 Except Mega Cab	06-09	63	SQ5	2-1/2	45518		#,KL,SB		1,200/12,000	1,700/14,000	35

- |    |  |    |   |
|----|--|----|---|
| #  | Titan hitches require use of a 2-1/2" shank Titan ball mount.                          | GX | Requires fabrication of L-bracket to reposition exhaust on 1995 and later 6 ft. box models. |
| @  | Ultra Frame ball mount must be used to achieve maximum weight carrying rating.         | HM | Hitch cross tube is visible beneath bumper.   |
| AA | Requires temporary removal of bumper during installation.                              | HX | Minor exhaust modification may be required.   |
| CP | Fits all models without factory installed receiver.                                    | KL | Hitch is designed to attach beneath the OEM hitch.  |
| CQ | Will not fit with heavy duty suspension.   | LT | Requires removal of factory hitch if equipped.  |
| DY | Use On 1500 Models Built After 11/1/02.  | SB | Will not fit models with short bed.   |
| GH | Will not fit models with 34 in. wide frames.   | SG | Hitches produced before 09/10/07 are rated at 1000/10000 WC & 1200/12000 WD.                |
| GO | Requires hitch with packaging date code 2/15/94 or later.                              | SO | With this hitch installed the step bumper is no longer able to be used as a towing point.   |
| GP | Hitch cross tube concealed behind bumper.  | TO | Will not fit models equipped Chassis Cab spring mount.                                      |
| GU | Will not fit vehicles with factory or aftermarket lower Fascia/Rollpan or Tube Bumper. |    |   |

T-ONE						TOW HARNESS					4-FLAT WIRING				REQ. 4 FLAT WIRING		7-WAY HARDWARE	BRAKE CONTROL HARNESS	IN			
PC	T-ONE	FN	IN	AMP	CP	PC	TOW HARN	FN	IN	AMP	CP	TYPE	ELEC	POS	CHOICE 1	CHOICE 2				6-WAY ADAPTER	7-WAY ADAPTER	
<b>DODGE (Continued)</b>																						
							74682 85219	RD RD	10 5			Both 7-Way	A	PU3	119148	20252						
						E8	118384	BN,RD	5	7.5		4-Flat	A	PU3	119148	20252	20320	20321	20224	3021-P	5	
E7	118329	BN,HJ	5	7.5									A	PU3,4	119148	20252	20320	20321	20224	3020-P	5	
E7	118329	BN,HJ	5	7.5									A	PU3,4	119148	20252	20320	20321	20224	3020-P	5	
E7	118329	BN,HJ	5	7.5									A	PU3,4	119148	20252	20320	20321	20224	3020-P	5	
E7	118329	BN,HJ	5	7.5									A	PU3,4	119148	20252	20320	20321	20224	3020-P	5	
							20135	RD	10			Both	H	PU3	119148	20252					3020-P	5
						E3	118381	BN,RD	5	7.5		4-Flat	A	PU3	119148	20252	20320	20321	20224	3020-P	5	
						E3	118381	BN,RD	5	7.5		4-Flat	A	PU3	119148	20252	20320	20321	20224	3020-P	5	
						E3	118381	BN,RD	5	7.5		4-Flat	A	PU3	119148	20252	20320	20321	20224	3020-P	5	
						E8	118384	BN,RD	5	7.5		4-Flat	A	PU3	119148	20252	20320	20321	20224	3021-P	5	
						E8	118384	BN,RD	5	7.5		4-Flat	A	PU3	119148	20252	20320	20321	20224	3021-P	5	
							74682 85219	RD RD	10 5			Both 7-Way	A	PU3	119148	20252						
E7	118329	BN,HJ	5	7.5									A	PU3,4	119148	20252	20320	20321	20224	3020-P	5	
E7	118329	BN,HJ	5	7.5									A	PU3,4	119148	20252	20320	20321	20224	3020-P	5	
E7	118329	BN,HJ	5	7.5									A	PU3,4	119148	20252	20320	20321	20224	3020-P	5	
E7	118329	BN,HJ	5	7.5									A	PU3,4	119148	20252	20320	20321	20224	3020-P	5	
							20135	RD	10			Both	H	PU3	119148	20252					3020-P	5
						E3	118381	BN,RD	5	7.5		4-Flat	A	PU3	119148	20252	20320	20321	20224	3020-P	5	
						E3	118381	BN,RD	5	7.5		4-Flat	A	PU3	119148	20252	20320	20321	20224	3020-P	5	
						E3	118381	BN,RD	5	7.5		4-Flat	A	PU3	119148	20252	20320	20321	20224	3020-P	5	

**A** 2 wire system.

**BN** Exterior mounted plug on some or all models. May require an aftermarket electrical mounting box or bracket. (Sold separately)

**H** 3 wire system with OEM standard 2 wire harness.

**HJ** Per Dodge owner's manual: If trailer is equipped with more than standard lighting (1 taillight per side) use of ModuLite® or dealer supplied harness is required.

**RD** For vehicles equipped with factory tow package may require additional components or may be used as a replacement harness.

**RT3** Round Tube Class III 2"

**RT4** Round Tube Class IV 2"

**SQ3** Square Tube Class III

**SQ4** Square Tube Class IV

**SQ5** Square Tube Class V



# RECEIVER HITCH APPLICATIONS

MODEL / STYLE	YEAR	TRAILER HITCHES									
		PC	REC TYPE	REC SIZE	PART NO.	NO DRILL	FOOTNOTES	OPTIONAL DRAWBAR	WC (LBS.)	WD (LBS.)	IN
<i>For vehicles prior to 2001,</i>											
<b>DODGE (Continued)</b>											
Ram 3500 Cab & Chassis, w/34" Wide Frames	07-10	29	SQ5	2	41936		@		1,200/12,000		30
		55	SQ5	2	41947		@		1,600/15,000	1,600/16,000	35
Ram 3500	10	37	SQ5	2	41929		@,GP,KL,SG		1,200/12,000	1,500/15,000	35
		66	SQ5	2-1/2	45509		#,AA,GH,HM,LT,SO,TO		2,000/18,000	2,500/18,000	95
Ram 3500 Except Mega Cab	10	63	SQ5	2-1/2	45518		#,KL,SB		1,200/12,000	1,700/14,000	35
Ram 3500 w/Factory 7-Way	10										
Ram 4500 Cab & Chassis, w/34" Wide Frames	08-10	29	SQ5	2	41936		@		1,200/12,000		30
		55	SQ5	2	41947		@		1,600/15,000	1,600/16,000	35
Ram 5500 Cab & Chassis, w/34" Wide Frames	08-10	29	SQ5	2	41936		@		1,200/12,000		30
		55	SQ5	2	41947		@		1,600/15,000	1,600/16,000	35
Sprinter 2500 w/41" Wide Frames, Except 118" Wheelbase & Factory Metal Step Platform	03-06	48	SQ3	2	75210	0	HM		500/5,000	750/7,500	20
Sprinter 2500 w/41" Wide Frames, Except 118" Wheelbase & Factory Metal Step Platform, w/Factory 7-Way	03-06										
Sprinter 2500 144" & 170" Wheelbase, Except w/Factory Step Bumper	07-09	53	SQ4	2	75549	0	HM,UL		600/6,000	750/7,500	20
Sprinter 2500 144" & 170" Wheelbase, Except w/Factory Step Bumper, w/Factory 7-Way	07-09										
Sprinter 2500 w/Factory Step Bumper Excluding Models w/30-3/8" Frame Width	07-09	52	SQ3	2	75601	0	HM		500/5,000	750/7,500	30
Sprinter 2500 w/Factory Step Bumper, w/Factory 7-Way	07-09										
Sprinter 3500 w/41" Wide Frames, Except 118" Wheelbase & Factory Metal Step Platform	03-06	48	SQ3	2	75210	0	HM		500/5,000	750/7,500	20
Sprinter 3500 w/41" Wide Frames, Except 118" Wheelbase & Factory Metal Step Platform, w/Factory 7-Way	03-06										
Sprinter 3500 144" & 170" Wheelbase, Except w/Factory Step Bumper	07-09	53	SQ4	2	75549	0	HM,UL		600/6,000	750/7,500	20
Sprinter 3500 144" & 170" Wheelbase, Except w/Factory Step Bumper, w/Factory 7-Way	07-09										
Sprinter 3500 w/Factory Step Bumper Excluding Models w/30-3/8" Frame Width	07-09	52	SQ3	2	75601	0	HM		500/5,000	750/7,500	30
Sprinter 3500 w/Factory Step Bumper, w/Factory 7-Way	07-09										
Stratus 4 Dr.	95-06	40	SQ2	1-1/4	36301		JR,HM	36061	300/3,500		60
Van, B1500	95-97	30	SQ3	2	75140	0	DH		500/5,000	1,000/10,000	30
Van, B1500 Except w/Factory Step Bumper	95-97	41	SQ3	2	75090	0	DH		500/5,000	750/7,500	20
		35	SQ4	2	41533	0	DH		600/6,000	1,000/10,000	20
Van, B1500	98	30	SQ3	2	75140	0			500/5,000	1,000/10,000	30
Van, B1500 Except w/Factory Step Bumper	98	41	SQ3	2	75090	0	BF		500/5,000	750/7,500	20
		35	SQ4	2	41533	0	BF		600/6,000	1,000/10,000	20
Van, B2500	95-97	30	SQ3	2	75140	0	DH		500/5,000	1,000/10,000	30
Van, B2500 Except w/Factory Step Bumper	95-97	41	SQ3	2	75090	0	DH		500/5,000	750/7,500	20
		35	SQ4	2	41533	0	DH		600/6,000	1,000/10,000	20
Van, B2500	98	30	SQ3	2	75140	0			500/5,000	1,000/10,000	30
Van, B2500 Except w/Factory Step Bumper	98	41	SQ3	2	75090	0	BF		500/5,000	750/7,500	20
		35	SQ4	2	41533	0	BF		600/6,000	1,000/10,000	20
Van, B3500	95-97	30	SQ3	2	75140	0	DH		500/5,000	1,000/10,000	30
Van, B3500 Except w/Factory Step Bumper	95-97	41	SQ3	2	75090	0	DH		500/5,000	750/7,500	20
		35	SQ4	2	41533	0	DH		600/6,000	1,000/10,000	20
Van, B3500	98	30	SQ3	2	75140	0			500/5,000	1,000/10,000	30
Van, B3500 Except w/Factory Step Bumper	98	41	SQ3	2	75090	0	BF		500/5,000	750/7,500	20
		35	SQ4	2	41533	0	BF		600/6,000	1,000/10,000	20
Van, Ram 1500	99-00	30	SQ3	2	75140	0			500/5,000	1,000/10,000	30

- |    |  |    |  |
|----|--|----|--|
| #  | Titan hitches require use of a 2-1/2" shank Titan ball mount.  | JR | Exhaust must be temporarily lowered for installation.  |
| @  | Ultra Frame ball mount must be used to achieve maximum weight carrying rating.   | KL | Hitch is designed to attach beneath the OEM hitch.   |
| AA | Requires temporary removal of bumper during installation.  | LT | Requires removal of factory hitch if equipped.   |
| BF | Requires standard bumper. Will not fit with step bumper.   | SB | Will not fit models with short bed.  |
| DH | Cannot be installed on 1987-97 vehicles with factory step bumpers unless step bumper and its mounting brackets are permanently removed and standard factory bumper is installed. | SG | Hitches produced before 09/10/07 are rated at 1000/10000 WC & 1200/12000 WD.   |
| GH | Will not fit models with 34 in. wide frames.   | SO | With this hitch installed the step bumper is no longer able to be used as a towing point.  |
| GP | Hitch crosstube concealed behind bumper.   | TO | Will not fit models equipped Chassis Cab spring mount.   |
| HM | Hitch crosstube is visible beneath bumper.   | UL | This hitch will not fit a Sprinter single or dual rear-wheel vehicle with a 30-3/8 in. wide frame measured outside of frame to outside of frame. |

T-ONE						TOW HARNESS						4-FLAT WIRING				REQ. 4 FLAT WIRING		7-WAY HARDWIRE	BRAKE CONTROL HARNESS	IN		
PC	T-ONE	FN	IN	AMP	CP	PC	TOW HARN	FN	IN	AMP	CP	TYPE	ELEC	POS	CHOICE 1	CHOICE 2	6-WAY ADAPTER				7-WAY ADAPTER	
<b>DODGE (Continued)</b>																						
													C	PU1,2	119191	119148	20320	20321	20224	3020-P	5	
						E8	118384	BN,RD	5	7.5		4-Flat	A	PU3	119148	20252	20320	20321	20224	3021-P	5	
						E8	118384	BN,RD	5	7.5		4-Flat	A	PU3	119148	20252	20320	20321	20224	3021-P	5	
							74682 85219	RD RD	10 5			Both 7-Way	A	PU3	119148	20252						
													C	PU1,2	119191	119148	20320	20321	20224	3020-P	5	
													C	PU1,2	119191	119148	20320	20321	20224	3020-P	5	
						E3	118381	BN,RD	5	7.5		4-Flat	B,E	SUV3,4	119191	119148	20320	20321	20224			
							20135	RD	10			Both	H	SUV6								
E17	118650	CH	45	5,7.5	X	E3	118381	BN,RD	5	7.5		4-Flat	B,E	SUV1,2	119191	119148	20320	20321	20224	3063-P	10	
							20135	RD	10			Both	H	SUV6	119148	20252					3063-P	10
E17	118650	CH	45	5,7.5	X	E3	118381	BN,RD	5	7.5		4-Flat	B,E	SUV1,2	119191	119148	20320	20321	20224	3063-P	10	
							20135	RD	10			Both	H	SUV6	119148	20252					3063-P	10
						E3	118381	BN,RD	5	7.5		4-Flat	B,E	SUV3,4	119191	119148	20320	20321	20224			
							20135	RD	10			Both	H	SUV6	119148	20252						
E17	118650	CH	45	5,7.5	X	E3	118381	BN,RD	5	7.5		4-Flat	B,E	SUV1,2	119191	119148	20320	20321	20224	3063-P	10	
							20135	RD	10			Both	H	SUV6	119148	20252					3063-P	10
E17	118650	CH	45	5,7.5	X	E3	118381	BN,RD	5	7.5		4-Flat	B,E	SUV1,2	119191	119148	20320	20321	20224	3063-P	10	
							20135	RD	10			Both	H	SUV6	119148	20252					3063-P	10
													B	PC3,4	119130	119178						
E1	118328	BN	5	7.5									A	SUV7	119148	20252	20320	20321	20224			
E1	118328	BN	5	7.5									A	SUV7	119148	20252	20320	20321	20224			
E1	118328	BN	5	7.5									A	SUV7	119148	20252	20320	20321	20224			
E1	118328	BN	5	7.5									A	SUV7	119148	20252	20320	20321	20224			
E1	118328	BN	5	7.5									A	SUV7	119148	20252	20320	20321	20224			
E1	118328	BN	5	7.5									A	SUV7	119148	20252	20320	20321	20224			
E1	118328	BN	5	7.5									A	SUV7	119148	20252	20320	20321	20224			
E1	118328	BN	5	7.5									A	SUV7	119148	20252	20320	20321	20224			
E1	118328	BN	5	7.5									A	SUV7	119148	20252	20320	20321	20224			
E1	118328	BN	5	7.5									A	SUV7	119148	20252	20320	20321	20224			
E1	118328	BN	5	7.5									A	SUV7	119148	20252	20320	20321	20224			
E1	118368	BN	5	7.5									A	SUV5	119148	20252	20320	20321	20224			

**A** 2 wire system.  
**B** 3 wire system. Converter required.  
**BN** Exterior mounted plug on some or all models. May require an aftermarket electrical mounting box or bracket. (Sold separately)  
**C** 2 or 3 wire system determine at installation.

**CH** T-One is equipped with circuit protected ModuLite® module.  
**E** ModuLite® required.  
**H** 3 wire system with OEM standard 2 wire harness.  
**RD** For vehicles equipped with factory tow package may require additional components or may be used as a replacement harness.

**SQ2** Square Tube Class II  
**SQ3** Square Tube Class III  
**SQ4** Square Tube Class IV  
**SQ5** Square Tube Class V

# RECEIVER HITCH APPLICATIONS

RECEIVER HITCHES

D - DODGE

MODEL / STYLE	YEAR	TRAILER HITCHES									
		PC	REC TYPE	REC SIZE	PART NO.	NO DRILL	FOOTNOTES	OPTIONAL DRAWBAR	WC (LBS.)	WD (LBS.)	IN
<i>For vehicles prior to 2001,</i>											
<b>DODGE (Continued)</b>											
Van, Ram 1500 Except w/Factory Step Bumper	99-00	41	SQ3	2	75090	0	BF		500/5,000	750/7,500	20
		35	SQ4	2	41533	0	BF		600/6,000	1,000/10,000	20
Van, Ram 1500	01-03	30	SQ3	2	75140	0			500/5,000	1,000/10,000	30
Van, Ram 1500 Except w/Factory Step Bumper	01-03	41	SQ3	2	75090	0	BF		500/5,000	750/7,500	20
		35	SQ4	2	41533	0	BF		600/6,000	1,000/10,000	20
Van, Ram 1500 w/Factory 7-Way	01-03										
Van, Ram 2500	99-00	30	SQ3	2	75140	0			500/5,000	1,000/10,000	30
Van, Ram 2500 Except w/Factory Step Bumper	99-00	41	SQ3	2	75090	0	BF		500/5,000	750/7,500	20
		35	SQ4	2	41533	0	BF		600/6,000	1,000/10,000	20
Van, Ram 2500	01-03	30	SQ3	2	75140	0			500/5,000	1,000/10,000	30
Van, Ram 2500 Except w/Factory Step Bumper	01-03	41	SQ3	2	75090	0	BF		500/5,000	750/7,500	20
		35	SQ4	2	41533	0	BF		600/6,000	1,000/10,000	20
Van, Ram 2500 w/Factory 7-Way	01-03										
Van, Ram 3500	99-00	30	SQ3	2	75140	0			500/5,000	1,000/10,000	30
Van, Ram 3500 Except w/Factory Step Bumper	99-00	41	SQ3	2	75090	0	BF		500/5,000	750/7,500	20
		35	SQ4	2	41533	0	BF		600/6,000	1,000/10,000	20
Van, Ram 3500	01-03	30	SQ3	2	75140	0			500/5,000	1,000/10,000	30
Van, Ram 3500 Except w/Factory Step Bumper	01-03	41	SQ3	2	75090	0	BF		500/5,000	750/7,500	20
		35	SQ4	2	41533	0	BF		600/6,000	1,000/10,000	20
Van, Ram 3500 w/Factory 7-Way	01-03										
<b>EAGLE</b>											
Vision	93-97	43	SQ2	1-1/4	36170†		†,JR,TA,HM	36061	300/3,500		40
<b>FIAT</b>											
500 Except Abarth	12-19	28	SQ1	1-1/4	24873	0	GP,JR	3593	200/2,000		30
500L	14-17	28	SQ1	1-1/4	24969†		EP,SV	3593	200/2,000		45
500L	18-20	28	SQ1	1-1/4	24969†		EP,SV	3593	200/2,000		45
500X	16-20	26	RT3	2	76019		HM		675/4,500		30
<b>FORD</b>											
Aerostar Extended Body	97	50	SQ3	2	37136				500/5,000	600/6,000	40
Aerostar Standard Body	97										40
C-MAX	13-18	29	SQ1	1-1/4	24896		GP,JR,KH	3593	200/2,000		25
Crown Victoria	92-97	39	SQ2	1-1/4	36116		CA,GP	36063	300/3,500		30
		38	SQ3	2	41116		CA,GP		350/3,500	750/6,000	30
Crown Victoria	98-09	39	SQ2	1-1/4	36116		CA,GP	36063	300/3,500		30
		38	SQ3	2	41116		CA,GP		350/3,500	750/6,000	30
E-150 Econoline	95-02	19	RT4	2	75703		CS,HM		600/6,000	1,000/10,000	20
		37	SQ5	2	41906		@,HM,HY		1,000/10,000	1,200/12,000	30
E-150 Econoline w/Factory 7-Way	97-02										
E-150 Econoline	00-02	35	SQ5	2	41926	0	@,HM		1,000/10,000	1,200/12,000	30
		41	SQ5	2	41945	0	@,HM		1,500/10,000	1,200/12,000	30
E-150 Econoline	03-07	19	RT4	2	75703		CS,HM		600/6,000	1,000/10,000	20
		37	SQ5	2	41906		@,HM,HY		1,000/10,000	1,200/12,000	30
		35	SQ5	2	41926	0	@,HM		1,000/10,000	1,200/12,000	30
		41	SQ5	2	41945	0	@,HM		1,500/10,000	1,200/12,000	30
E-150 Econoline w/Factory 7-Way	04-09										
E-150 Econoline	08	19	RT4	2	75703		CS,HM		600/6,000	1,000/10,000	20
		37	SQ5	2	41906		@,HM,HY		1,000/10,000	1,200/12,000	30
		35	SQ5	2	41926	0	@,HM		1,000/10,000	1,200/12,000	30
		41	SQ5	2	41945	0	@,HM		1,500/10,000	1,200/12,000	30

- @ Ultra Frame ball mount must be used to achieve maximum weight carrying rating.
- † Available while supply lasts.
- BF Requires standard bumper. Will not fit with step bumper.
- CA Models with dual exhaust require exhaust modification.
- CS Will fit with full-size spare tire stowed under vehicle.
- EP Fascia trimming may be required.
- GP Hitch cross-tube concealed behind bumper.

- HM Hitch cross-tube is visible beneath bumper.
- HY Ultra Frame ball mount DT #4283/HH #80125 cannot be used in rise position on vehicles with step bumpers.
- JR Exhaust must be temporarily lowered for installation.
- KH Minor heat shield modification may be required.
- SV Trimming or removal of under body appearance panel may be required.
- TA Trunk access required for hitch installation.

T-ONE						TOW HARNESS					4-FLAT WIRING				REQ. 4 FLAT WIRING		7-WAY HARDWARE	BRAKE CONTROL HARNESS	IN		
PC	T-ONE	FN	IN	AMP	CP	PC	TOW HARN	FN	IN	AMP	CP	TYPE	ELEC	POS	CHOICE 1	CHOICE 2				6-WAY ADAPTER	7-WAY ADAPTER
<b>DODGE (Continued)</b>																					
E1	118368	BN	5	7.5									A	SUV5	119148	20252	20320	20321	20224		
E3	118381	BN	5	7.5									A	SUV5	119148	20252	20320	20321	20224		
E3	118381	BN	5	7.5									A	SUV5	119148	20252	20320	20321	20224		
						20135	RD	10				Both	A	SUV5	119148	20252					
E1	118368	BN	5	7.5									A	SUV5	119148	20252	20320	20321	20224		
E1	118368	BN	5	7.5									A	SUV5	119148	20252	20320	20321	20224		
E3	118381	BN	5	7.5									A	SUV5	119148	20252	20320	20321	20224		
E3	118381	BN	5	7.5									A	SUV5	119148	20252	20320	20321	20224		
						20135	RD	10				Both	A	SUV5	119148	20252					
E1	118368	BN	5	7.5									A	SUV5	119148	20252	20320	20321	20224		
E1	118368	BN	5	7.5									A	SUV5	119148	20252	20320	20321	20224		
E3	118381	BN	5	7.5									A	SUV5	119148	20252	20320	20321	20224		
E3	118381	BN	5	7.5									A	SUV5	119148	20252	20320	20321	20224		
						20135	RD	10				Both	A	SUV5	119148	20252					
<b>EAGLE</b>																					
													B	PC3,4	119130	119178					
<b>FIAT</b>																					
E20	118546	CH	45	4.2,7.5	X								B,E	PC1,2	119191	119148					
E17	118772	CH	45	5.7,5	X								B,E	PC3,4	119191	119148					
													B,E	PC3,4	119191	119148					
E24	118693	CH	45	4.2,7.5	X								BT	SUV1,2	119251	119191					
<b>FORD</b>																					
E5	118344	BN	10	7.5									A	SUV1,2	119148	20252	20320	20321	20224		
E5	118344	BN	10	7.5									A	SUV1,2	119148	20252	20320	20321	20224		
													BM	PC1,2	119251	119191					
E9	118326		20	7.5									A,E	PC3,4	119191	119148	20320	20321	20224		
													B,E	PC3,4	119191	119148	20320	20321	20224		
E5	118344	BN	10	7.5									A	SUV1,2	119148	20252	20320	20321	20224	3035-P	5
						74682	RD	10				Both	A	SUV6	119148	20252					
						85219	RD	5				7-Way	A	SUV6	119148	20252					
E5	118344	BN	10	7.5									A	SUV1,2	119148	20252	20320	20321	20224	3035-P	5
													A	SUV1,2	119148	20252	20320	20321	20224	3035-P	5
						85219	RD	5				7-Way	A	SUV6	119148	20252					
						74682	RD	10				Both	A	SUV6	119148	20252					
E17	118551	CH	45	4.2,7.5	X								A,E	SUV1,2	119191	119148	20320	20321	20224	3035-P	5

**A** 2 wire system.  
**B** 3 wire system. Converter required.  
**BM** Multiplexed wiring system. ModuLite® HD Plus or Ultra required.  
**BN** Exterior mounted plug on some or all models. May require an aftermarket electrical mounting box or bracket. (Sold separately)  
**BT** Shared Brake/Tail multiplexed wiring system. ModuLite® HD Plus or Ultra required.  
**CH** T-One is equipped with circuit protected ModuLite® module.  
**E** ModuLite® required.  
**RD** For vehicles equipped with factory tow package may require additional components or may be used as a replacement harness.

**RT3** Round Tube Class III 2"  
**RT4** Round Tube Class IV 2"  
**SQ1** Square Tube Class I  
**SQ2** Square Tube Class II  
**SQ3** Square Tube Class III  
**SQ4** Square Tube Class IV  
**SQ5** Square Tube Class V

# RECEIVER HITCH APPLICATIONS

RECEIVER HITCHES

F - FORD

MODEL / STYLE	YEAR	TRAILER HITCHES									
		PC	REC TYPE	REC SIZE	PART NO.	NO DRILL	FOOTNOTES	OPTIONAL DRAWBAR	WC (LBS.)	WD (LBS.)	IN
<i>For vehicles prior to 2001,</i>											
<b>FORD (Continued)</b>											
E-150 Econoline	09-14	19	RT4	2	75703	0	CS, HM		600/6,000	1,000/10,000	20
		37	SQ5	2	41906		@, HM, HY		1,000/10,000	1,200/12,000	30
		35	SQ5	2	41926	0	@, HM		1,000/10,000	1,200/12,000	30
		41	SQ5	2	41945	0	@, HM		1,500/10,000	1,200/12,000	30
E-150 Econoline w/Factory 4-Flat (Prepped Class I Towing Package)	09-12										
E-150 Econoline w/Factory 7-Way (Prepped Class II Towing Package)	09-12										
E-250 Econoline	95-02	19	RT4	2	75703		CS, HM		600/6,000	1,000/10,000	20
		37	SQ5	2	41906		@, HM, HY		1,000/10,000	1,200/12,000	30
E-250 Econoline w/Factory 7-Way	97-09										
E-250 Econoline	00-02	35	SQ5	2	41926	0	@, HM		1,000/10,000	1,200/12,000	30
		41	SQ5	2	41945	0	@, HM		1,500/10,000	1,200/12,000	30
E-250 Econoline	03-07	19	RT4	2	75703		CS, HM		600/6,000	1,000/10,000	20
		37	SQ5	2	41906		@, HM, HY		1,000/10,000	1,200/12,000	30
		35	SQ5	2	41926	0	@, HM		1,000/10,000	1,200/12,000	30
		41	SQ5	2	41945	0	@, HM		1,500/10,000	1,200/12,000	30
E-250 Econoline	08	19	RT4	2	75703		CS, HM		600/6,000	1,000/10,000	20
		37	SQ5	2	41906		@, HM, HY		1,000/10,000	1,200/12,000	30
		35	SQ5	2	41926	0	@, HM		1,000/10,000	1,200/12,000	30
		41	SQ5	2	41945	0	@, HM		1,500/10,000	1,200/12,000	30
E-250 Econoline	09-14	19	RT4	2	75703		CS, HM		600/6,000	1,000/10,000	20
		37	SQ5	2	41906		@, HM, HY		1,000/10,000	1,200/12,000	30
		35	SQ5	2	41926	0	@, HM		1,000/10,000	1,200/12,000	30
		41	SQ5	2	41945	0	@, HM		1,500/10,000	1,200/12,000	30
E-250 Econoline w/Factory 4-Flat (Prepped Class I Towing Package)	09-12										
E-250 Econoline w/Factory 7-Way (Prepped Class II Towing Package)	09-12										
E-350 Econoline	95-02	19	RT4	2	75703		CS, HM		600/6,000	1,000/10,000	20
		37	SQ5	2	41906		@, HM, HY		1,000/10,000	1,200/12,000	30
E-350 Econoline w/Factory 7-Way	97-02										
E-350 Econoline	00-02	35	SQ5	2	41926	0	@, HM		1,000/10,000	1,200/12,000	30
		41	SQ5	2	41945	0	@, HM		1,500/10,000	1,200/12,000	30
E-350 Econoline Super Duty	03-07	19	RT4	2	75703		CS, HM		600/6,000	1,000/10,000	20
		37	SQ5	2	41906		@, HM, HY		1,000/10,000	1,200/12,000	30
		35	SQ5	2	41926	0	@, HM		1,000/10,000	1,200/12,000	30
		41	SQ5	2	41945	0	@, HM		1,500/10,000	1,200/12,000	30
E-350 Econoline Super Duty w/Factory 7-Way	03-09										
E-350 Econoline Super Duty	08	19	RT4	2	75703		CS, HM		600/6,000	1,000/10,000	20
		37	SQ5	2	41906		@, HM, HY		1,000/10,000	1,200/12,000	30
		35	SQ5	2	41926	0	@, HM		1,000/10,000	1,200/12,000	30
		41	SQ5	2	41945	0	@, HM		1,500/10,000	1,200/12,000	30
E-350 Econoline Super Duty	09-14	19	RT4	2	75703		CS, HM		600/6,000	1,000/10,000	20
		37	SQ5	2	41906		@, HM, HY		1,000/10,000	1,200/12,000	30
		35	SQ5	2	41926	0	@, HM		1,000/10,000	1,200/12,000	30
		41	SQ5	2	41945	0	@, HM		1,500/10,000	1,200/12,000	30
E-350 Econoline Super Duty w/Factory 7-Way (Prepped Class II Towing Package)	09-12										

@ Ultra Frame ball mount must be used to achieve maximum weight carrying rating.  
 CS Will fit with full-size spare tire stowed under vehicle.

HM Hitch cross-tube is visible beneath bumper.  
 HY Ultra Frame ball mount DT #4283/HH #80125 cannot be used in rise position on vehicles with step bumpers.

T-ONE						TOW HARNESS						4-FLAT WIRING				REQ. 4 FLAT WIRING		7-WAY HARDWARE	BRAKE CONTROL HARNESS	IN	
PC	T-ONE	FN	IN	AMP	CP	PC	TOW HARN	FN	IN	AMP	CP	TYPE	ELEC	POS	CHOICE 1	CHOICE 2	6-WAY ADAPTER				7-WAY ADAPTER
<b>FORD (Continued)</b>																					
E17	118551	CH	45	4.2,7.5	X								A,E	SUV1,2	119191	119148	20320	20321	20224	3034-P	20
						E3	118260	BN	10	7.5		4-Flat	A	SUV6	119148	20252					
						E14	118261	BN	10			7-Way	A	SUV6	119148	20252					
E5	118344	BN	10	7.5									A	SUV1,2	119148	20252	20320	20321	20224	3035-P	5
							74682 85219	RD RD	10 5			Both 7-Way	A	SUV6	119148	20252					
E5	118344	BN	10	7.5									A	SUV1,2	119148	20252	20320	20321	20224	3035-P	5
													A	SUV1,2	119148	20252	20320	20321	20224	3035-P	5
E17	118551	CH	45	4.2,7.5	X								A,E	SUV1,2	119191	119148	20320	20321	20224	3035-P	5
E17	118551	CH	45	4.2,7.5	X								A,E	SUV1,2	119191	119148	20320	20321	20224	3034-P	20
						E3	118260	BN	10	7.5		4-Flat	A	SUV6	119148	20252					
						E14	118261	BN	10			7-Way	A	SUV6	119148	20252					
E5	118344	BN	10	7.5									A	SUV1,2	119148	20252	20320	20321	20224	3035-P	5
							74682 85219	RD RD	10 5			Both 7-Way	A	SUV6	119148	20252					
E5	118344	BN	10	7.5									A	SUV1,2	119148	20252	20320	20321	20224	3035-P	5
													A	SUV1,2	119148	20252	20320	20321	20224	3035-P	5
							74682 85219	RD RD	10 5			Both 7-Way	A	SUV6	119148	20252					
E17	118551	CH	45	4.2,7.5	X								A,E	SUV1,2	119191	119148	20320	20321	20224	3035-P	5
E17	118551	CH	45	4.2,7.5	X								A,E	SUV1,2	119191	119148	20320	20321	20224	3034-P	20
						E3	118260	BN	10	7.5		4-Flat	A	SUV6	119148	20252					
						E14	118261	BN	10			7-Way	A	SUV6	119148	20252					

**A** 2 wire system.

**BN** Exterior mounted plug on some or all models. May require an aftermarket electrical mounting box or bracket. (Sold separately)

**CH** T-One is equipped with circuit protected ModuLite® module.

**E** ModuLite® required.

**RD** For vehicles equipped with factory tow package may require additional components or may be used as a replacement harness.

**RT4** Round Tube Class IV 2"

**SQ5** Square Tube Class V

**RECEIVER HITCH APPLICATIONS**

MODEL / STYLE	YEAR	TRAILER HITCHES									
		PC	REC TYPE	REC SIZE	PART NO.	NO DRILL	FOOTNOTES	OPTIONAL DRAWBAR	WC (LBS.)	WD (LBS.)	IN
<i>For vehicles prior to 2001,</i>											
<b>FORD (Continued)</b>											
E-150 Econoline	09-14	19	RT4	2	75703	0	CS, HM		600/6,000	1,000/10,000	20
		37	SQ5	2	41906		@, HM, HY		1,000/10,000	1,200/12,000	30
		35	SQ5	2	41926	0	@, HM		1,000/10,000	1,200/12,000	30
		41	SQ5	2	41945	0	@, HM		1,500/10,000	1,200/12,000	30
E-150 Econoline w/Factory 4-Flat (Prepped Class I Towing Package)	09-12										
E-150 Econoline w/Factory 7-Way (Prepped Class II Towing Package)	09-12										
E-250 Econoline	95-02	19	RT4	2	75703		CS, HM		600/6,000	1,000/10,000	20
		37	SQ5	2	41906		@, HM, HY		1,000/10,000	1,200/12,000	30
E-250 Econoline w/Factory 7-Way	97-09										
E-250 Econoline	00-02	35	SQ5	2	41926	0	@, HM		1,000/10,000	1,200/12,000	30
		41	SQ5	2	41945	0	@, HM		1,500/10,000	1,200/12,000	30
E-250 Econoline	03-07	19	RT4	2	75703		CS, HM		600/6,000	1,000/10,000	20
		37	SQ5	2	41906		@, HM, HY		1,000/10,000	1,200/12,000	30
		35	SQ5	2	41926	0	@, HM		1,000/10,000	1,200/12,000	30
		41	SQ5	2	41945	0	@, HM		1,500/10,000	1,200/12,000	30
E-250 Econoline	08	19	RT4	2	75703		CS, HM		600/6,000	1,000/10,000	20
		37	SQ5	2	41906		@, HM, HY		1,000/10,000	1,200/12,000	30
		35	SQ5	2	41926	0	@, HM		1,000/10,000	1,200/12,000	30
		41	SQ5	2	41945	0	@, HM		1,500/10,000	1,200/12,000	30
E-250 Econoline	09-14	19	RT4	2	75703		CS, HM		600/6,000	1,000/10,000	20
		37	SQ5	2	41906		@, HM, HY		1,000/10,000	1,200/12,000	30
		35	SQ5	2	41926	0	@, HM		1,000/10,000	1,200/12,000	30
		41	SQ5	2	41945	0	@, HM		1,500/10,000	1,200/12,000	30
E-250 Econoline w/Factory 4-Flat (Prepped Class I Towing Package)	09-12										
E-250 Econoline w/Factory 7-Way (Prepped Class II Towing Package)	09-12										
E-350 Econoline	95-02	19	RT4	2	75703		CS, HM		600/6,000	1,000/10,000	20
		37	SQ5	2	41906		@, HM, HY		1,000/10,000	1,200/12,000	30
E-350 Econoline w/Factory 7-Way	97-02										
E-350 Econoline	00-02	35	SQ5	2	41926	0	@, HM		1,000/10,000	1,200/12,000	30
		41	SQ5	2	41945	0	@, HM		1,500/10,000	1,200/12,000	30
E-350 Econoline Super Duty	03-07	19	RT4	2	75703		CS, HM		600/6,000	1,000/10,000	20
		37	SQ5	2	41906		@, HM, HY		1,000/10,000	1,200/12,000	30
		35	SQ5	2	41926	0	@, HM		1,000/10,000	1,200/12,000	30
		41	SQ5	2	41945	0	@, HM		1,500/10,000	1,200/12,000	30
E-350 Econoline Super Duty w/Factory 7-Way	03-09										
E-350 Econoline Super Duty	08	19	RT4	2	75703		CS, HM		600/6,000	1,000/10,000	20
		37	SQ5	2	41906		@, HM, HY		1,000/10,000	1,200/12,000	30
		35	SQ5	2	41926	0	@, HM		1,000/10,000	1,200/12,000	30
		41	SQ5	2	41945	0	@, HM		1,500/10,000	1,200/12,000	30
E-350 Econoline Super Duty	09-14	19	RT4	2	75703		CS, HM		600/6,000	1,000/10,000	20
		37	SQ5	2	41906		@, HM, HY		1,000/10,000	1,200/12,000	30
		35	SQ5	2	41926	0	@, HM		1,000/10,000	1,200/12,000	30
		41	SQ5	2	41945	0	@, HM		1,500/10,000	1,200/12,000	30
E-350 Econoline Super Duty w/Factory 7-Way (Prepped Class II Towing Package)	09-12										

@ Ultra Frame ball mount must be used to achieve maximum weight carrying rating.  
 CS Will fit with full-size spare tire stowed under vehicle.

HM Hitch cross-tube is visible beneath bumper.  
 HY Ultra Frame ball mount DT #4283/HH #80125 cannot be used in rise position on vehicles with step bumpers.

T-ONE						TOW HARNESS						4-FLAT WIRING				REQ. 4 FLAT WIRING		7-WAY HARDWARE	BRAKE CONTROL HARNESS	IN	
PC	T-ONE	FN	IN	AMP	CP	PC	TOW HARN	FN	IN	AMP	CP	TYPE	ELEC	POS	CHOICE 1	CHOICE 2	6-WAY ADAPTER				7-WAY ADAPTER
<b>FORD (Continued)</b>																					
E17	118551	CH	45	4.2,7.5	X								A,E	SUV1,2	119191	119148	20320	20321	20224	3034-P	20
						E3	118260	BN	10	7.5		4-Flat	A	SUV6	119148	20252					
						E14	118261	BN	10			7-Way	A	SUV6	119148	20252					
E5	118344	BN	10	7.5									A	SUV1,2	119148	20252	20320	20321	20224	3035-P	5
							74682 85219	RD RD	10 5			Both 7-Way	A	SUV6	119148	20252					
E5	118344	BN	10	7.5									A	SUV1,2	119148	20252	20320	20321	20224	3035-P	5
													A	SUV1,2	119148	20252	20320	20321	20224	3035-P	5
E17	118551	CH	45	4.2,7.5	X								A,E	SUV1,2	119191	119148	20320	20321	20224	3035-P	5
E17	118551	CH	45	4.2,7.5	X								A,E	SUV1,2	119191	119148	20320	20321	20224	3034-P	20
						E3	118260	BN	10	7.5		4-Flat	A	SUV6	119148	20252					
						E14	118261	BN	10			7-Way	A	SUV6	119148	20252					
E5	118344	BN	10	7.5									A	SUV1,2	119148	20252	20320	20321	20224	3035-P	5
							74682 85219	RD RD	10 5			Both 7-Way	A	SUV6	119148	20252					
E5	118344	BN	10	7.5									A	SUV1,2	119148	20252	20320	20321	20224	3035-P	5
													A	SUV1,2	119148	20252	20320	20321	20224	3035-P	5
							74682 85219	RD RD	10 5			Both 7-Way	A	SUV6	119148	20252					
E17	118551	CH	45	4.2,7.5	X								A,E	SUV1,2	119191	119148	20320	20321	20224	3035-P	5
E17	118551	CH	45	4.2,7.5	X								A,E	SUV1,2	119191	119148	20320	20321	20224	3034-P	20
						E3	118260	BN	10	7.5		4-Flat	A	SUV6	119148	20252					
						E14	118261	BN	10			7-Way	A	SUV6	119148	20252					

**A** 2 wire system.

**BN** Exterior mounted plug on some or all models. May require an aftermarket electrical mounting box or bracket. (Sold separately)

**CH** T-One is equipped with circuit protected ModuLite® module.

**E** ModuLite® required.

**RD** For vehicles equipped with factory tow package may require additional components or may be used as a replacement harness.

**RT4** Round Tube Class IV 2"

**SQ5** Square Tube Class V



# RECEIVER HITCH APPLICATIONS

RECEIVER HITCHES

F - FORD

MODEL / STYLE	YEAR	TRAILER HITCHES									
		PC	REC TYPE	REC SIZE	PART NO.	NO DRILL	FOOTNOTES	OPTIONAL DRAWBAR	WC (LBS.)	WD (LBS.)	IN
<i>For vehicles prior to 2001,</i>											
<b>FORD (Continued)</b>											
E-450 Econoline Super Duty RV Cutaway, w/Factory Tow Prep Plug	03-08										
E-450 Econoline Super Duty RV Cutaway, w/Factory Tow Prep Plug	09-11										
E-450 Econoline Super Duty Stripped RV Cutaway, w/Factory Tow Prep Plug	00-02										
EcoSport	18-20	27	SQ2	1-1/4	36660	0	JR,GP,SV	36071	350/3,500		45
Edge Except Sport	07-10	33	SQ2	1-1/4	36447	0	GP,JR,KH	36051	300/3,500		45
		20	SQ3	2	75992		GP,KH,JR		400/4,000	400/4,000	55
Edge Sport	09-10	37	SQ3	2	75686	0	GP,JR,KH		350/3,500		45
Edge Except Sport	11-14	20	SQ3	2	75992		GP,KH,JR		400/4,000	400/4,000	55
Edge Sport	11-14	35	SQ3	2	75728	0	GP,JR,KH		525/3,500	525/4,000	45
Edge Except Sport & Titanium Models	15-20	28	RT3	2	75214	0	JR,HM,SV,TW		600/4,000	600/4,000	30
		35	SQ3	2	75234	0	GP,TA,SV,JR,TW		675/4,500	675/4,500	45
Edge Titanium and Sport Models Only	15-20	35	SQ3	2	75234	0	GP,TA,SV,JR,TW		675/4,500	675/4,500	45
Edge Titanium Model Only	15	28	RT3	2	75214	0	JR,HM,SV,TW		600/4,000	600/4,000	30
Edge Except Titanium Models	19-20	28	RT3	2	75214	0	JR,HM,SV,TW		600/4,000	600/4,000	30
		35	SQ3	2	75234	0	JR,HM,SV,TW		675/4,500	675/4,500	30
Edge Titanium Model Only	19-20										
Edge Except Titanium Models	20					0	JR,HM,SV,TW				30
Escape	01-03	36	RT3	2	75118	0	HM,KH		350/3,500	500/5,000	35
		50	SQ3	2	37136		KH		500/5,000	600/6,000	60
Escape	04	36	RT3	2	75118	0	HM		350/3,500	500/5,000	35
		50	SQ3	2	37136				500/5,000	600/6,000	60
Escape	05-07	22	SQ2	1-1/4	36501		HM	36051	300/3,500		20
		34	RT3	2	75751	0	HM		675/4,500	675/5,250	25
Escape	08-12	22	SQ2	1-1/4	36501		HM	36051	300/3,500		20
		34	RT3	2	75751	0	HM		675/4,500	675/5,250	25
Escape	13-16	38	SQ2	1-1/4	36524	0	HM	36071	300/3,500		15
		38	SQ2	1-1/4	36529	0	GP,JR,KH		36071	300/3,500	
		43	SQ3	2	75782	0	GP,JR,KH			525/3,500	525/5,000
		40	RT3	2	75758	0	HM		675/4,500	675/5,000	15
Escape	17-18	38	SQ2	1-1/4	36524	0	HM	36071	300/3,500		15
		38	SQ2	1-1/4	36529	0	GP,JR,KH		36071	300/3,500	
		43	SQ3	2	75782	0	GP,JR,KH			525/3,500	525/5,000
		40	RT3	2	75758	0	HM		675/4,500	675/5,000	15
Escape	19	38	SQ2	1-1/4	36524	0	HM	36071	300/3,500		15
		38	SQ2	1-1/4	36529	0	GP,JR,KH		36071	300/3,500	
		43	SQ3	2	75782	0	GP,JR,KH			525/3,500	525/5,000
		40	RT3	2	75758	0	HM		675/4,500	675/5,000	15
Escape	20	42	SQ3	2	76424	0			675/4,500		50
Escape Except Hybrid	20	38	SQ2	1-1/4	36110	0	HM,JR	36051	350/3,500		30
		40	RT3	2	76327		HM,JR		675/4,500	675/5,000	30
Excursion	00-03										
Excursion w/Factory 7-Way	00-05										
Expedition	97-02	42	SQ3	2	75071	0	GP		500/5,000	800/8,000	15
		41	SQ4	2	41527	0	GP		600/6,000	1,000/10,000	15
Expedition w/Factory 7-Way	97-11										
Expedition	03										
Expedition	13-14										
Expedition	15-17										

**GP** Hitch crosstube concealed behind bumper.  
**HM** Hitch crosstube is visible beneath bumper.  
**JR** Exhaust must be temporarily lowered for installation.  
**KH** Minor heat shield modification may be required.

**SV** Trimming or removal of under body appearance panel may be required.  
**TA** Trunk access required for hitch installation.  
**TW** Receiver hitch may limit hands-free liftgate sensor range

T-ONE						TOW HARNESS						4-FLAT WIRING				REQ. 4 FLAT WIRING		7-WAY HARDWIRE	BRAKE CONTROL HARNESS	IN		
PC	T-ONE	FN	IN	AMP	CP	PC	TOW HARN	FN	IN	AMP	CP	TYPE	ELEC	POS	CHOICE 1	CHOICE 2	6-WAY ADAPTER				7-WAY ADAPTER	
FORD (Continued)																						
																				3035-P	5	
																					3034-P	20
																					3035-P	5
E17	118551	CH	45	4.2,7.5	X								B,E	SUV1,2	119191	119148						
													N	SUV1,2		119251	20320	20321				
E17	118551	CH	45	4.2,7.5	X								N	SUV1,2		119251	20320	20321				
E21	118515	CH	45	4.2,7.5	X								N	SUV1,2		119251	20320	20321				
E21	118515	CH	45	4.2,7.5	X								N	SUV1,2		119251	20320	20321				
E16	118669	CH,BN	45	4.2,7.5	X								A,E	PC1,2	119191	119148						
		CH,BN																				
E16	118677	CH,BN	45	4.2,7.5	X								B,E	SUV1,2	119191	119148						
E20	118805	CH,BN	45	5.7.5	X								B,E	SUV1,2								
E19	118806	CH,BN	45	5.7.5	X								B,E	SUV1,2								
E20	118805	CH,BN	45	5.7.5	X								B,E	SUV1,2								
E12	118343	HG,RW	10	2.1.5									B	SUV1,2	119130	119178	20320	20321	20224			
													B,E	SUV1,2	119191	119148	20320	20321	20224			
E17	118426	BN,CH	45	2.1,4.2	X								B,E	SUV1,2	119191	119148	20320	20321	20224			
E17	118551	CH	45	4.2,7.5	X	E2	118251	BN,QP,RD	5	7.5		4-Flat	A	SUV1,2	119148	20252	20320	20321	20224			
E18	118566	BN,CH	45	4.2,7.5	X								B,E	SUV1,2	119191	119148	20320	20321	20224			
E17	118715	CH	45	4.2,7.5	X								B,E	SUV1,2	119191	119148						
E17	118802	CH,BN	45	5.7.5	X								A,E	SUV1,2	119191	119148						
E18	118816	CH	45	5.7.5	X								B,E	SUV3,4								
E18	118816	CH	45	5.7.5	X								B,E	SUV3,4								
E5	118344	BN	10	7.5									A	SUV1,2	119148	20252					3035-P	5
							85219	RD	5			7-Way	A	SUV6	119148	20252					3035-P	5
							74682	RD	10			Both										
E5	118344	BN	10	7.5									A	SUV1,2	119148	20252	20320	20321	20224	3035-P	5	
							74682	RD	10			Both	A	SUV6	119148	20252						
							85219	RD	5			7-Way										
						E5	118344	BN	10	7.5		4-Flat	A	SUV1,2	119148	20252						
													A	PU5						20224	3034-P	20
													A	PU5							3036-P	20

- A** 2 wire system.
- B** 3 wire system. Converter required.
- BN** Exterior mounted plug on some or all models. May require an aftermarket electrical mounting box or bracket. (Sold separately)
- CH** T-One is equipped with circuit protected ModuLite® module.
- E** ModuLite® required.
- HG** T-One incorporates taillight converter.
- N** DO NOT cut or splice vehicle wiring. Only use approved T-One or see auto dealer for trailer tow wiring kit.
- QP** Will not fit vehicles with backup sensors built into rear bumper.
- RD** For vehicles equipped with factory tow package may require additional components or may be used as a replacement harness.
- RW** On some models it may require an upgraded flasher or ModuLite®.

- RT3** Round Tube Class III 2"
- SQ2** Square Tube Class II
- SQ3** Square Tube Class III
- SQ4** Square Tube Class IV

# RECEIVER HITCH APPLICATIONS

RECEIVER HITCHES

F - FORD

MODEL / STYLE	YEAR	TRAILER HITCHES									
		PC	REC TYPE	REC SIZE	PART NO.	NO DRILL	FOOTNOTES	OPTIONAL DRAWBAR	WC (LBS.)	WD (LBS.)	IN
<i>For vehicles prior to 2001,</i>											
<b>FORD (Continued)</b>											
Expedition	18-20										
Explorer	95-00	32	SQ2	1-1/4	36246	0	HM	36051	300/3,500		15
		34	RT3	2	75083	0	JF, HM		500/5,000	600/6,000	15
		31	SQ3	2	75096	0	HM		500/5,000	750/7,500	15
Explorer w/Factory 7-Way	00-05										
Explorer 2 Dr. Sport	01-03	32	SQ2	1-1/4	36246	0	HM	36051	300/3,500		15
		34	RT3	2	75083	0	JF, HM		500/5,000	600/6,000	15
		31	SQ3	2	75096	0	HM		500/5,000	750/7,500	15
Explorer 4 Dr.	01	32	SQ2	1-1/4	36246	0	HM	36051	300/3,500		15
		34	RT3	2	75083	0	JF, HM		500/5,000	600/6,000	15
		31	SQ3	2	75096	0	HM		500/5,000	750/7,500	15
Explorer 4 Dr.	02-03	47	RT3	2	75132	0	HM, KL		500/5,000	800/8,000	20
Explorer 4 Dr.	04-05	47	RT3	2	75132	0	HM, KL		500/5,000	800/8,000	20
Explorer w/1-1/4" Receivers	06-10	39	RT3	2	75437	0	HM, KL		500/5,000	800/8,000	25
Explorer w/Factory 7-Way	06-14										
Explorer	11-19	19	SQ3	2	76034	0	HM, JR, L, TW		675/4,500	500/5,000	45
Explorer	20	22	SQ2	1-1/4	36787	0	JR, KH, GP, X, SV	36051	300/3,500		
		76910	SQ3	2	76910	0	JR, KH, GP, X, SV		350/3,500		
		28	SQ3	2	76320	0	JR, KH, GP, X, SV		900/6,000		40
Explorer	21	22	SQ2	1-1/4	36787	0	JR, KH, GP, X, SV	36051	300/3,500		
		28	SQ3	2	76320	0	JR, KH, GP, X, SV		900/6,000		40
Explorer Sport Trac	01	32	RT3	2	75112	0	CS		500/5,000	600/6,000	15
Explorer Sport Trac	02-03	32	RT3	2	75112	0	CS		500/5,000	600/6,000	15
Explorer Sport Trac	04-05	32	RT3	2	75112	0	CS		500/5,000	600/6,000	15
Explorer Sport Trac w/Factory 7-Way	07-10										
F Super Duty Cab & Chassis, w/34" Wide Frames & 161" Wheelbase	89-97	37	SQ4	2	40050				600/6,000	1,000/10,000	40
F Super Duty Cab & Chassis, w/34" Wide Frames & 161" Wheelbase & w/Deep Drop Bumper	89-97	34	SQ3	2	41504		FP, K, M		500/5,000	1,000/10,000	40
F-150 Flareside	97-03	49	RT3	2	37133	0			500/5,000	750/7,500	25
		28	SQ3	2	75065	0	GP		500/5,000	800/8,000	30
		54	RT4	2	37130	0			700/7,000	1,200/12,000	25
		27	RT4	2	75740	0	FP, HM		900/6,000	1,000/10,000	20
		45	SQ5	2	41920	0	@, GP, SU		1,000/10,000	1,300/13,000	30
F-150 Styleside	97-03	49	RT3	2	37133	0			500/5,000	750/7,500	25
		28	SQ3	2	75065	0	GP		500/5,000	800/8,000	30
		54	RT4	2	37130	0			700/7,000	1,200/12,000	25
		27	RT4	2	75740	0	FP, HM		900/6,000	1,000/10,000	20
		45	SQ5	2	41920	0	@, GP, SU		1,000/10,000	1,300/13,000	30
F-150 w/Factory 7-Way	97-08										
F-150 SuperCrew	00-03	49	RT3	2	37133	0			500/5,000	750/7,500	25
		28	SQ3	2	75065	0	GP		500/5,000	800/8,000	30
		54	RT4	2	37130	0			700/7,000	1,200/12,000	25
		27	RT4	2	75740	0	FP, HM		900/6,000	1,000/10,000	20
		45	SQ5	2	41920	0	@, GP, SU		1,000/10,000	1,300/13,000	30
F-150 SuperCrew, w/Factory 7-Way	00-03										
F-150	04	49	RT3	2	37133		VB		500/5,000	750/7,500	45
		54	RT4	2	41549	0	HM, VB, KM		600/6,000	1,000/10,000	30

- |  |  |
|--|--|
| <p><b>@</b> Ultra Frame ball mount must be used to achieve maximum weight carrying rating.</p> <p><b>CS</b> Will fit with full-size spare tire stowed under vehicle.</p> <p><b>FP</b> Spare tire repositioning and/or modification of spare tire carrier may be required.</p> <p><b>GP</b> Hitch cross-tube concealed behind bumper.</p> <p><b>HM</b> Hitch cross-tube is visible beneath bumper.</p> <p><b>JF</b> Will not fit with 16 in. spare tire.</p> <p><b>JR</b> Exhaust must be temporarily lowered for installation.</p> <p><b>K</b> Adapter kit (#1685) required with DT #41504/HH #87480/RS #37081 &amp; RS #44143 for 1980 and later F-Series pickups.</p> <p><b>KH</b> Minor heat shield modification may be required.</p> | <p><b>KL</b> Hitch is designed to attach beneath the OEM hitch.</p> <p><b>KM</b> Does not work with models originally equipped with OEM hitch.</p> <p><b>L</b> Exhaust repositioning required.</p> <p><b>M</b> Will fit with heavy-duty suspension.</p> <p><b>SU</b> Hitches produced before 03/11/08 are rated at 1000/10000 WC &amp; 1200/12000 WD.</p> <p><b>SV</b> Trimming or removal of under body appearance panel may be required.</p> <p><b>TW</b> Receiver hitch may limit hands-free liftgate sensor range</p> <p><b>VB</b> Will not fit vehicles with vibration damper installed at rear of frame on drivers side.</p> <p><b>X</b> Minor fascia trimming required.</p> |
|--|--|

T-ONE						TOW HARNESS						4-FLAT WIRING				REQ. 4 FLAT WIRING		7-WAY HARDWARE	BRAKE CONTROL HARNESS	IN		
PC	T-ONE	FN	IN	AMP	CP	PC	TOW HARN	FN	IN	AMP	CP	TYPE	ELEC	POS	CHOICE 1	CHOICE 2	6-WAY ADAPTER				7-WAY ADAPTER	
FORD (Continued)																						
E16	118345	BN,CH	45	2.1,4,2		E3	118241	BN,RD	5	7.5		4-Flat	B,E	SUV1,2	119191	119148	20320	20321	20224	3077-P	10	
							74682 85219	RD RD	10 5			Both 7-Way	A	SUV6	119148	20252						
E5	118344	BN	10	7.5									A	SUV1,2	119148	20252	20320	20321	20224			
E16	118345	BN,CH	45	2.1,4,2		E3	118241	BN,RD	5	7.5		4-Flat	B,E	SUV1,2	119191	119148	20320	20321	20224			
E5	118344	BN	10	7.5									A	SUV1,2	119148	20252	20320	20321	20224	3035-P	5	
													A	SUV1,2	119148	20252	20320	20321	20224	3035-P	5	
													B	SUV1,2	119130	119178	20320	20321	20224	3035-P	5	
							74682 85219	RD RD	10 5			Both 7-Way	A	SUV6	119148	20252						
E11	118540	BN	5	7.5		E15	118272			20			B,E	SUV3,4	119191	119148	20320	20321	20224	3035-P	5	
E15	118599	CH	45	2.1,5,6	X								B,E	SUV3,4	119191	119148	20320	20321	20224	3035-P	5	
E15	118599	CH	45	2.1,5,6	X								B,E	SUV3,4	119191	119148	20320	20321	20224			
													A	SUV1,2	119148	20252	20320	20321	20224			
E5	118344	BN	10	7.5									A	SUV1,2	119148	20252	20320	20321	20224			
							74682 85219	RD RD	10 5			Both 7-Way	A	SUV6	119148	20252					3035-P	5
													A	PU1,2	119148	20252	20320	20321	20224			
													A	PU1,2	119148	20252	20320	20321	20224			
E5	118344	BN	10	7.5		E19	118242	BN,RD	5			7-Way	A	PU1,2	119148	20252	20320	20321	20224	3035-P	5	
						E19	118242	BN,RD	5			7-Way	A	PU1,2	119148	20252	20320	20321	20224	3035-P	5	
						E15	118283	RD	5			7-Way	A	PU3	119148	20252					3035-P	5
E5	118344	BN	10	7.5		E19	118242	BN,RD	5			7-Way	A	PU1,2	119148	20252	20320	20321	20224	3035-P	5	
							74682 85219	RD RD	10 5			Both 7-Way	A	PU3	119148	20252						
						E19	118247	BN,RD	5			7-Way	A	PU3	119148	20252	20320	20321	20224	3035-P	5	

**A** 2 wire system.  
**B** 3 wire system. Converter required.  
**BN** Exterior mounted plug on some or all models. May require an aftermarket electrical mounting box or bracket. (Sold separately)

**CH** T-One is equipped with circuit protected ModuLite® module.  
**E** ModuLite® required.  
**RD** For vehicles equipped with factory tow package may require additional components or may be used as a replacement harness.

**RT3** Round Tube Class III 2"  
**RT4** Round Tube Class IV 2"  
**SQ2** Square Tube Class II  
**SQ3** Square Tube Class III  
**SQ4** Square Tube Class IV  
**SQ5** Square Tube Class V

**RECEIVER HITCH APPLICATIONS**

MODEL / STYLE	YEAR	TRAILER HITCHES									
		PC	REC TYPE	REC SIZE	PART NO.	NO DRILL	FOOTNOTES	OPTIONAL DRAWBAR	WC (LBS.)	WD (LBS.)	IN
<i>For vehicles prior to 2001,</i>											
<b>FORD (Continued)</b>											
<b>F-150 SuperCrew, 5.5 ft. Bed, w/Factory 7-Way</b>	<b>04-05</b>										
<b>F-150</b>	<b>05</b>	49	RT3	2	<b>37133</b>		VB		500/5,000	750/7,500	45
		54	RT4	2	<b>41549</b>	0	HM,VB,KM		600/6,000	1,000/10,000	30
		50	RT4	2	<b>75156</b>	0	HM,VB,KM		600/6,000	800/8,000	30
<b>F-150</b>	<b>06-08</b>	25	SQ4	2	<b>75506</b>	0	CP,HM		600/6,000	1,000/10,000	20
		40	SQ5	2	<b>41933</b>	0	@,CP,HM		1,200/12,000	1,400/14,000	20
<b>F-150 SuperCrew, 5.5 &amp; 6.5 ft. Beds, w/Factory 7-Way</b>	<b>06-20</b>										
<b>F-150</b>	<b>09-14</b>	19	SQ4	2	<b>75691</b>	0	CP,GP		600/6,000	1,200/12,000	20
<b>F-150 w/Factory 7-Way</b>	<b>09-20</b>										
<b>F-150</b>	<b>15-20</b>	45	RT4	2	<b>75216</b>	0	HM,JL		900/6,000	1,200/12,000	30
		27	RT4	2	<b>75938</b>	0	HM,JL		900/6,000	800/8,000	30
		29	SQ4	2	<b>76136</b>	0	GP,FP		900/6,000	1,000/10,000	30
<b>F-150 Heritage Flareside</b>	<b>04</b>	49	RT3	2	<b>37133</b>	0			500/5,000	750/7,500	25
		28	SQ3	2	<b>75065</b>	0	GP		500/5,000	800/8,000	30
		54	RT4	2	<b>37130</b>	0			700/7,000	1,200/12,000	25
		27	RT4	2	<b>75740</b>	0	FP,HM		900/6,000	1,000/10,000	20
		45	SQ5	2	<b>41920</b>	0	@,GP,SU		1,000/10,000	1,300/13,000	30
<b>F-150 Heritage Styleside</b>	<b>04</b>	49	RT3	2	<b>37133</b>	0			500/5,000	750/7,500	25
		28	SQ3	2	<b>75065</b>	0	GP		500/5,000	800/8,000	30
		54	RT4	2	<b>37130</b>	0			700/7,000	1,200/12,000	25
		27	RT4	2	<b>75740</b>	0	FP,HM		900/6,000	1,000/10,000	20
		45	SQ5	2	<b>41920</b>	0	@,GP,SU		1,000/10,000	1,300/13,000	30
<b>F-150 Heritage w/Factory 7-Way</b>	<b>04</b>										
<b>F-250 Heavy Duty</b>	<b>97</b>	49	RT3	2	<b>37133</b>		GU		500/5,000	750/7,500	35
		34	SQ3	2	<b>75038</b>		GP		500/5,000	800/8,000	30
		37	SQ4	2	<b>40050</b>				600/6,000	1,000/10,000	40
		25	SQ4	2	<b>41004</b>		GP		600/6,000	1,000/10,000	30
		54	RT4	2	<b>37130</b>		GU		700/7,000	1,200/12,000	35
		42	SQ5	2	<b>41904</b>		@,GP,HD		1,000/10,000	1,200/12,000	30
		51	SQ5	2-1/2	<b>45502</b>		#,GU		1,200/12,000	1,700/14,000	45
<b>F-250 Heavy Duty, w/Deep Drop Bumper</b>	<b>97</b>	34	SQ3	2	<b>41504</b>		FP,K,M		500/5,000	1,000/10,000	40
<b>F-250 Styleside</b>	<b>97-99</b>	49	RT3	2	<b>37133</b>	0			500/5,000	750/7,500	25
		28	SQ3	2	<b>75065</b>	0	GP		500/5,000	800/8,000	30
		54	RT4	2	<b>37130</b>	0			700/7,000	1,200/12,000	25
		27	RT4	2	<b>75740</b>	0	FP,HM		900/6,000	1,000/10,000	20
		45	SQ5	2	<b>41920</b>	0	@,GP,SU		1,000/10,000	1,300/13,000	30
<b>F-250 Styleside, w/Factory 7-Way</b>	<b>97-99</b>										
<b>F-250 Super Duty Except Cab &amp; Chassis</b>	<b>99-01</b>	49	RT3	2	<b>37133</b>				500/5,000	750/7,500	30
		54	RT4	2	<b>37130</b>				700/7,000	1,200/12,000	30
		27	RT4	2	<b>75740</b>	0	FP,HM		900/6,000	1,000/10,000	20
		51	SQ5	2	<b>41922</b>	0	@,GP		1,000/10,000	1,200/12,000	15
		55	SQ5	2	<b>41931</b>	0	@,HM,SH		1,200/12,000	1,500/15,000	30
		60	SQ5	2-1/2	<b>45508</b>	0	#,CS,EF,HM,LT,M		2,000/18,000	2,500/18,000	50
<b>F-250 Super Duty Except Cab &amp; Chassis, w/Factory 7-Way</b>	<b>99-04</b>										
<b>F-250 Super Duty Except Cab &amp; Chassis, w/Factory 7-Way</b>	<b>99-16</b>										
<b>F-250 Super Duty w/Deep Drop Bumper</b>	<b>99-01</b>	70	SQ5	2-1/2	<b>45514†</b>	0	#		1,200/12,000	1,700/14,000	20
<b>F-250 Super Duty w/Deep Drop Bumper, w/Factory 7-Way</b>	<b>99-04</b>										

- |   |  |
|---|--|
| <p><b>#</b> Titan hitches require use of a 2-1/2" shank Titan ball mount.</p> <p><b>@</b> Ultra Frame ball mount must be used to achieve maximum weight carrying rating.</p> <p><b>CP</b> Fits all models without factory installed receiver.</p> <p><b>CS</b> Will fit with full-size spare tire stowed under vehicle.</p> <p><b>EF</b> Fits all models with standard bumpers.</p> <p><b>FP</b> Spare tire repositioning and/or modification of spare tire carrier may be required.</p> <p><b>GP</b> Hitch cross-tube concealed behind bumper.</p> <p><b>GU</b> Will not fit vehicles with factory or aftermarket lower Fascia/Rollpan or Tube Bumper.</p> <p><b>HD</b> Will not fit 6 ft. bed pickups except 6 ft. Super Cab.</p> | <p><b>HM</b> Hitch cross-tube is visible beneath bumper.</p> <p><b>JL</b> Installation requires OEM bumper and brackets.</p> <p><b>K</b> Adapter kit (#1685) required with DT #41504/HH #87480/RS #37081 &amp; RS #44143 for 1980 and later F-Series pickups.</p> <p><b>KM</b> Does not work with models originally equipped with OEM hitch.</p> <p><b>LT</b> Requires removal of factory hitch if equipped.</p> <p><b>M</b> Will fit with heavy-duty suspension.</p> <p><b>SH</b> Hitches produced before 09/27/07 are rated at 1200/12000 WC &amp; 1400/14000 WD.</p> <p><b>SU</b> Hitches produced before 03/11/08 are rated at 1000/10000 WC &amp; 1200/12000 WD.</p> <p><b>VB</b> Will not fit vehicles with vibration damper installed at rear of frame on drivers side.</p> |
|---|--|

T-ONE						TOW HARNESS						4-FLAT WIRING				REQ. 4 FLAT WIRING		7-WAY HARDWIRE	BRAKE CONTROL HARNESS	IN		
PC	T-ONE	FN	IN	AMP	CP	PC	TOW HARN	FN	IN	AMP	CP	TYPE	ELEC	POS	CHOICE 1	CHOICE 2	6-WAY ADAPTER				7-WAY ADAPTER	
<b>FORD (Continued)</b>																						
							85219 74682	RD RD	5 10			7-Way Both	A	PU3	119148	20252						
													A	PU3	119148	20252	20320	20321	20224	3035-P	5	
													A	PU3	119148	20252	20320	20321	20224	3035-P	5	
							74682	RD	10			Both	A	PU3	119148	20252						
													A	PU3	119148	20252	20320	20321	20224	3036-P	20	
							74682	RD	10			Both	A	PU3	119148	20252					3036-P	20
						E15	118283	BN	5			7-Way	A	PU3	119148	20252	20320	20321	20224	3036-P	20	
E5	118344	BN	10	7.5		E19	118242	BN,RD	5			7-Way	A	PU1,2	119148	20252	20320	20321	20224	3035-P	5	
						E19	118242	BN,RD	5			7-Way	A	PU1,2	119148	20252	20320	20321	20224	3035-P	5	
							74682 85219	RD RD	10 5			Both 7-Way	A	PU3	119148	20252						
E5	118316	BN	5	7.5									A	PU3	119148	20252	20320	20321	20224	3035-P	5	
E5	118316	BN	5	7.5									A	PU3	119148	20252	20320	20321	20224	3035-P	5	
						E19	118242	BN,RD	5			7-Way	A	PU1,2	119148	20252	20320	20321	20224	3035-P	5	
							74682 85219	RD RD	10 5			Both 7-Way	A	PU3	119148	20252						
						E15	118243	BN,RD	5			7-Way	A	PU1,2	119148	20252	20320	20321	20224	3035-P	5	
							85219	RD	5			7-Way	A	PU3	119148	20252					3035-P	5
							74682 85219	RD RD	10 5			Both 7-Way	A	PU3	119148	20252						
						E15	118243	BN,RD	5			7-Way	A	PU1,2	119148	20252	20320	20321	20224	3035-P	5	
							74682 85219	RD RD	10 5			Both 7-Way	A	PU3	119148	20252						

**A** 2 wire system.  
**BN** Exterior mounted plug on some or all models. May require an aftermarket electrical mounting box or bracket. (Sold separately)  
**RD** For vehicles equipped with factory tow package may require additional components or may be used as a replacement harness.

**RT3** Round Tube Class III 2"  
**RT4** Round Tube Class IV 2"  
**SQ3** Square Tube Class III  
**SQ4** Square Tube Class IV  
**SQ5** Square Tube Class V

# RECEIVER HITCH APPLICATIONS

RECEIVER HITCHES

F - FORD

MODEL / STYLE	YEAR	TRAILER HITCHES									
		PC	REC TYPE	REC SIZE	PART NO.	NO DRILL	FOOTNOTES	OPTIONAL DRAWBAR	WC (LBS.)	WD (LBS.)	IN
<i>For vehicles prior to 2001,</i>											
<b>FORD (Continued)</b>											
F-250 Super Duty Except Cab & Chassis	02-04	49	RT3	2	37133				500/5,000	750/7,500	30
		54	RT4	2	37130				700/7,000	1,200/12,000	30
		27	RT4	2	75740	0	FP, HM		900/6,000	1,000/10,000	20
		51	SQ5	2	41922	0	@, GP		1,000/10,000	1,200/12,000	15
		55	SQ5	2	41931	0	@, HM, SH		1,200/12,000	1,500/15,000	30
		60	SQ5	2-1/2	45508	0	#, CS, EF, HM, LT, M		2,000/18,000	2,500/18,000	50
F-250 Super Duty w/Deep Drop Bumper	02-04	70	SQ5	2-1/2	45514†	0	#		1,200/12,000	1,700/14,000	20
F-250 Super Duty Except Cab & Chassis	05-07	27	RT4	2	75740	0	FP, HM		900/6,000	1,000/10,000	20
		55	SQ5	2	41931	0	@, EB, HM, SH		1,200/12,000	1,500/15,000	30
		60	SQ5	2-1/2	45508	0	#, CS, EF, HM, LT, M		2,000/18,000	2,500/18,000	50
F-250 Super Duty Except Cab & Chassis, w/Factory 7-Way	05-07										
F-250 Super Duty Except Cab & Chassis	08-20	55	SQ5	2	41931	0	@, EB, HM, SH		1,200/12,000	1,500/15,000	30
		60	SQ5	2-1/2	45508	0	#, CS, EF, HM, LT, M		2,000/18,000	2,500/18,000	50
F-250 Super Duty Except Cab & Chassis, w/Factory 7-Way	08-16										
F-250 Super Duty Except Cab & Chassis, w/Factory 7-Way	17-20										
F-250 Super Duty Except Cab & Chassis, w/Factory 7-Way	20										
F-250 Super Duty Except Cab & Chassis	21	55	SQ5	2	41931	0	@, EB, HM, SH		1,200/12,000	1,500/15,000	30
		60	SQ5	2-1/2	45508	0	#, CS, EF, HM, LT, M		2,000/18,000	2,500/18,000	50
F-350 Heavy Duty	97	49	RT3	2	37133		GU		500/5,000	750/7,500	35
		34	SQ3	2	75038		GP		500/5,000	800/8,000	30
		37	SQ4	2	40050				600/6,000	1,000/10,000	40
		25	SQ4	2	41004		GP		600/6,000	1,000/10,000	30
		54	RT4	2	37130		GU		700/7,000	1,200/12,000	35
		42	SQ5	2	41904		@, GP, HD		1,000/10,000	1,200/12,000	30
		51	SQ5	2-1/2	45502		#, GU		1,200/12,000	1,700/14,000	45
F-350 Heavy Duty, w/Deep Drop Bumper	97	34	SQ3	2	41504		FP, K, M		500/5,000	1,000/10,000	40
F-350 Super Duty Cab & Chassis, w/34" Wide Frames	99-00	37	SQ4	2	40050				600/6,000	1,000/10,000	40
		34	SQ4	2	41001		FP		600/6,000	1,000/10,000	40
		30	SQ4	2	41547				750/7,500	1,200/12,000	60
		50	SQ5	2	41938		@, CC		1,200/12,000	1,500/15,000	40
		55	SQ5	2	41947		@		1,600/15,000	1,600/16,000	35
		70	SQ5	2	41943		@		2,400/16,000	1,600/16,000	40
		65	SQ5	2-1/2	45516		#		1,200/12,000	1,700/14,000	60
F-350 Super Duty Cab & Chassis, w/34" Wide Frames & w/Deep Drop Bumper	99-00	34	SQ3	2	41504		FP, M		500/5,000	1,000/10,000	40
F-350 Super Duty Except Cab & Chassis	99-01	49	RT3	2	37133				500/5,000	750/7,500	30
		54	RT4	2	37130				700/7,000	1,200/12,000	30
		27	RT4	2	75740	0	FP, HM		900/6,000	1,000/10,000	20
		51	SQ5	2	41922	0	@, GP		1,000/10,000	1,200/12,000	15
		55	SQ5	2	41931	0	@, HM, SH		1,200/12,000	1,500/15,000	30
		60	SQ5	2-1/2	45508	0	#, CS, EF, HM, LT, M		2,000/18,000	2,500/18,000	50
F-350 Super Duty Except Cab & Chassis, w/Factory 7-Way	99-16										
F-350 Super Duty w/Deep Drop Bumper	99-01	70	SQ5	2-1/2	45514†	0	#		1,200/12,000	1,700/14,000	20
F-350 Super Duty w/Deep Drop Bumper, w/Factory 7-Way	99-04										
F-350 Super Duty Cab & Chassis, w/34" Wide Frames	01-04	55	SQ5	2	41947		@		1,600/15,000	1,600/16,000	35
		70	SQ5	2	41943		@		2,400/16,000	1,600/16,000	40

- |   |  |
|---|--|
| # Titan hitches require use of a 2-1/2" shank Titan ball mount.   | GU Will not fit vehicles with factory or aftermarket lower Fascia/Rollpan or Tube Bumper.                          |
| @ Ultra Frame ball mount must be used to achieve maximum weight carrying rating.                            | HD Will not fit 6 ft. bed pickups except 6 ft. Super Cab.  |
| CC Requires minimum of 19 in. from end of frame rail to spring shackle bracket.                             | HM Hitch cross-tube is visible beneath bumper.   |
| CS Will fit with full-size spare tire stowed under vehicle.   | K Adapter kit (#1685) required with DT #41504/HH #87480/RS #37081 & RS #44143 for 1980 and later F-Series pickups. |
| EB Factory electrical bracket will NOT fit with this hitch. Must use aftermarket electrical box or bracket. | LT Requires removal of factory hitch if equipped.  |
| EF Fits all models with standard bumpers.   | M Will fit with heavy-duty suspension.   |
| FP Spare tire repositioning and/or modification of spare tire carrier may be required.                      | SH Hitches produced before 09/27/07 are rated at 1200/12000 WC & 1400/14000 WD.                                    |
| GP Hitch cross-tube concealed behind bumper.  |  |

T-ONE						TOW HARNESS						4-FLAT WIRING				REQ. 4 FLAT WIRING		7-WAY HARDWARE	BRAKE CONTROL HARNESS	IN	
PC	T-ONE	FN	IN	AMP	CP	PC	TOW HARN	FN	IN	AMP	CP	TYPE	ELEC	POS	CHOICE 1	CHOICE 2	6-WAY ADAPTER				7-WAY ADAPTER
<b>FORD (Continued)</b>																					
													A	PU1,2	119148	20252	20320	20321	20224	3035-P	5
													A	PU1,2	119148	20252	20320	20321	20224	3035-P	5
													A	PU1,2	119148	20252	20320	20321	20224	3065-P	5
							85219	RD	5			7-Way	A	PU3	119148	20252				3067-P	
													A	PU1,2	119148	20252	20320	20321	20224	3034-P	20
							85219	RD	5			7-Way	A	PU3	119148	20252				3034-P	20
							74682	RD	10			Both	A	PU3	119148	20252				3036-P	20
																				3036-P	20
													A	PU1,2	119148	20252	20320	20321	20224		
E5	118316	BN	5	7.5									A	PU3	119148	20252	20320	20321	20224	3035-P	5
E5	118316	BN	5	7.5									A	PU3	119148	20252	20320	20321	20224	3035-P	5
													A	PU1,2	119148	20252	20320	20321	20224	3035-P	5
						E15	118243	BN,RD	5			7-Way	A	PU1,2	119148	20252	20320	20321	20224	3035-P	5
							74682	RD	10			Both	A	PU3	119148	20252					
							85219	RD	5			7-Way									
						E15	118243	BN,RD	5			7-Way	A	PU1,2	119148	20252	20320	20321	20224	3035-P	5
							74682	RD	10			Both	A	PU3	119148	20252					
							85219	RD	5			7-Way									
													A	PU1,2	119148	20252	20320	20321	20224	3035-P	5

**A** 2 wire system.  
**BN** Exterior mounted plug on some or all models. May require an aftermarket electrical mounting box or bracket. (Sold separately)  
**RD** For vehicles equipped with factory tow package may require additional components or may be used as a replacement harness.

**RT3** Round Tube Class III 2"  
**RT4** Round Tube Class IV 2"  
**SQ3** Square Tube Class III  
**SQ4** Square Tube Class IV  
**SQ5** Square Tube Class V



# RECEIVER HITCH APPLICATIONS

RECEIVER HITCHES

MODEL / STYLE	YEAR	TRAILER HITCHES									
		PC	REC TYPE	REC SIZE	PART NO.	NO DRILL	FOOTNOTES	OPTIONAL DRAWBAR	WC (LBS.)	WD (LBS.)	IN
<i>For vehicles prior to 2001,</i>											
<b>FORD (Continued)</b>											
F-350 Super Duty Except Cab & Chassis	02-04	49	RT3	2	37133				500/5,000	750/7,500	30
		54	RT4	2	37130				700/7,000	1,200/12,000	30
		27	RT4	2	75740	0	FP, HM		900/6,000	1,000/10,000	20
		51	SQ5	2	41922	0	@, GP		1,000/10,000	1,200/12,000	15
		55	SQ5	2	41931	0	@, HM, SH		1,200/12,000	1,500/15,000	30
		60	SQ5	2-1/2	45508	0	#, CS, EF, HM, LT, M		2,000/18,000	2,500/18,000	50
F-350 Super Duty w/Deep Drop Bumper	02-04	70	SQ5	2-1/2	45514†	0	#		1,200/12,000	1,700/14,000	20
F-350 Super Duty Cab & Chassis, w/34" Wide Frames	05-07	55	SQ5	2	41947		@		1,600/15,000	1,600/16,000	35
		70	SQ5	2	41943		@		2,400/16,000	1,600/16,000	40
F-350 Super Duty Except Cab & Chassis	05-07	27	RT4	2	75740	0	FP, HM		900/6,000	1,000/10,000	20
		55	SQ5	2	41931	0	@, EB, HM, SH		1,200/12,000	1,500/15,000	30
		60	SQ5	2-1/2	45508	0	#, CS, EF, HM, LT, M		2,000/18,000	2,500/18,000	50
F-350 Super Duty Cab & Chassis, w/34" Wide Frames	08-16	55	SQ5	2	41947		@		1,600/15,000	1,600/16,000	35
		70	SQ5	2	41943		@		2,400/16,000	1,600/16,000	40
F-350 Super Duty Except Cab & Chassis	08-20	55	SQ5	2	41931	0	@, EB, HM, SH		1,200/12,000	1,500/15,000	30
		60	SQ5	2-1/2	45508	0	#, CS, EF, HM, LT, M		2,000/18,000	2,500/18,000	50
F-350 Super Duty Cab & Chassis, w/34" Wide Frames	17-19	70	SQ5	2	41943		@		2,400/16,000	1,600/16,000	40
F-350 Super Duty Cab & Chassis, w/34" Wide Frames	17-20	55	SQ5	2	41947		@		1,600/15,000	1,600/16,000	35
F-350 Super Duty Except Cab & Chassis, w/Factory 7-Way	17-20										
F-350 Super Duty Except Cab & Chassis, w/Factory 7-Way	20										
F-350 Super Duty Except Cab & Chassis	21	55	SQ5	2	41931	0	@, EB, HM, SH		1,200/12,000	1,500/15,000	30
		60	SQ5	2-1/2	45508	0	#, CS, EF, HM, LT, M		2,000/18,000	2,500/18,000	50
F-450 Super Duty Cab & Chassis, w/34" Wide Frames	99-04	30	SQ4	2	41547				750/7,500	1,200/12,000	60
		55	SQ5	2	41947		@		1,600/15,000	1,600/16,000	35
		70	SQ5	2	41943		@		2,400/16,000	1,600/16,000	40
		65	SQ5	2-1/2	45516		#		1,200/12,000	1,700/14,000	60
F-450 Super Duty Cab & Chassis, w/34" Wide Frames	05-07	30	SQ4	2	41547				750/7,500	1,200/12,000	60
		55	SQ5	2	41947		@		1,600/15,000	1,600/16,000	35
		70	SQ5	2	41943		@		2,400/16,000	1,600/16,000	40
		65	SQ5	2-1/2	45516		#		1,200/12,000	1,700/14,000	60
F-450 Super Duty Cab & Chassis, w/34" Wide Frames	08-16	30	SQ4	2	41547				750/7,500	1,200/12,000	60
		55	SQ5	2	41947		@		1,600/15,000	1,600/16,000	35
		70	SQ5	2	41943		@		2,400/16,000	1,600/16,000	40
		65	SQ5	2-1/2	45516		#		1,200/12,000	1,700/14,000	60
F-450 Super Duty Except Cab & Chassis	08-10	60	SQ5	2-1/2	45508	0	#, CS, EF, HM, LT, M		2,000/18,000	2,500/18,000	50
F-450 Super Duty Except Cab & Chassis, w/Factory 7-Way	08-16										
F-450 Super Duty Except Cab & Chassis	11-20	60	SQ5	2-1/2	45508	0	#, CS, EF, HM, LT, M		2,000/18,000	2,500/18,000	50
F-450 Super Duty Cab & Chassis, w/34" Wide Frames	17-19	55	SQ5	2	41947		@		1,600/15,000	1,600/16,000	35
		70	SQ5	2	41943		@		2,400/16,000	1,600/16,000	40
F-450 Super Duty Cab & Chassis, w/34" Wide Frames	17-20	30	SQ4	2	41547				750/7,500	1,200/12,000	60
		65	SQ5	2-1/2	45516		#		1,200/12,000	1,700/14,000	60
F-450 Super Duty Except Cab & Chassis, w/Factory 7-Way	17-19										
F-450 Super Duty Except Cab & Chassis	21	60	SQ5	2-1/2	45508	0	#, CS, EF, HM, LT, M		2,000/18,000	2,500/18,000	50
F-550 Super Duty Cab & Chassis, w/34" Wide Frames	99-04	30	SQ4	2	41547				750/7,500	1,200/12,000	60
		55	SQ5	2	41947		@		1,600/15,000	1,600/16,000	35
		70	SQ5	2	41943		@		2,400/16,000	1,600/16,000	40
		65	SQ5	2-1/2	45516		#		1,200/12,000	1,700/14,000	60

- |   |   |
|---|---|
| # Titan hitches require use of a 2-1/2" shank Titan ball mount.   | GP Hitch cross tube concealed behind bumper.                                    |
| @ Ultra Frame ball mount must be used to achieve maximum weight carrying rating.                            | HM Hitch cross tube is visible beneath bumper.                                  |
| CS Will fit with full-size spare tire stowed under vehicle.   | LT Requires removal of factory hitch if equipped.                               |
| EB Factory electrical bracket will NOT fit with this hitch. Must use aftermarket electrical box or bracket. | M Will fit with heavy-duty suspension.  |
| EF Fits all models with standard bumpers.   | SH Hitches produced before 09/27/07 are rated at 1200/12000 WC & 1400/14000 WD. |
| FP Spare tire repositioning and/or modification of spare tire carrier may be required.                      |   |

T-ONE						TOW HARNESS						4-FLAT WIRING				REQ. 4 FLAT WIRING		7-WAY HARDWIRE	BRAKE CONTROL HARNESS	IN	
PC	T-ONE	FN	IN	AMP	CP	PC	TOW HARN	FN	IN	AMP	CP	TYPE	ELEC	POS	CHOICE 1	CHOICE 2	6-WAY ADAPTER				7-WAY ADAPTER
FORD (Continued)																					
													A	PU1,2	119148	20252	20320	20321	20224	3035-P	5
													A	PU1,2	119148	20252	20320	20321	20224	3035-P	5
													A	PU1,2	119148	20252	20320	20321	20224	3065-P	5
													A	PU1,2	119148	20252	20320	20321	20224	3065-P	5
													A	PU1,2	119148	20252	20320	20321	20224	3034-P	20
													A	PU1,2	119148	20252	20320	20321	20224	3034-P	20
													A	PU1,2	119148	20252	20320	20321	20224	3036-P	20
													A	PU1,2	119148	20252	20320	20321	20224	3036-P	20
							74682 85219	RD RD	10 5			Both 7-Way	A	PU3	119148	20252				3036-P	20
													A	PU1,2	119148	20252	20320	20321	20224		20
													A	PU1,2	119148	20252	20320	20321	20224	3035-P	5
													A	PU1,2	119148	20252	20320	20321	20224	3065-P	5
													A	PU1,2	119148	20252	20320	20321	20224	3034-P	20
													A	PU1,2	119148	20252	20320	20321	20224	3034-P	20
							74682 85219	RD RD	10 5			Both 7-Way	A	PU3	119148	20252					20
													A	PU1,2	119148	20252	20320	20321	20224	3034-P	20
													A	PU1,2	119148	20252	20320	20321	20224	3036-P	20
													A	PU1,2	119148	20252	20320	20321	20224	3036-P	20
							74682 85219	RD RD	10 5			Both 7-Way	A	PU3	119148	20252				3036-P	20
													A	PU1,2	119148	20252	20320	20321	20224		20
													A	PU1,2	119148	20252	20320	20321	20224	3035-P	5

**A** 2 wire system.

**RD** For vehicles equipped with factory tow package may require additional components or may be used as a replacement harness.

**RT3** Round Tube Class III 2"

**RT4** Round Tube Class IV 2"

**SQ4** Square Tube Class IV

**SQ5** Square Tube Class V

# RECEIVER HITCH APPLICATIONS

RECEIVER HITCHES

F - FORD

MODEL / STYLE	YEAR	TRAILER HITCHES									
		PC	REC TYPE	REC SIZE	PART NO.	NO DRILL	FOOTNOTES	OPTIONAL DRAWBAR	WC (LBS.)	WD (LBS.)	IN
<i>For vehicles prior to 2001,</i>											
<b>FORD (Continued)</b>											
F-550 Super Duty Cab & Chassis, w/34" Wide Frames	05-07	30	SQ4	2	41547				750/7,500	1,200/12,000	60
		55	SQ5	2	41947		@		1,600/15,000	1,600/16,000	35
		70	SQ5	2	41943		@		2,400/16,000	1,600/16,000	40
		65	SQ5	2-1/2	45516		#		1,200/12,000	1,700/14,000	60
F-550 Super Duty Cab & Chassis, w/34" Wide Frames	08-16	30	SQ4	2	41547				750/7,500	1,200/12,000	60
		55	SQ5	2	41947		@		1,600/15,000	1,600/16,000	35
		70	SQ5	2	41943		@		2,400/16,000	1,600/16,000	40
		65	SQ5	2-1/2	45516		#		1,200/12,000	1,700/14,000	60
F-550 Super Duty Cab & Chassis, w/34" Wide Frames	17-19	55	SQ5	2	41947		@		1,600/15,000	1,600/16,000	35
		70	SQ5	2	41943		@		2,400/16,000	1,600/16,000	40
F-550 Super Duty Cab & Chassis, w/34" Wide Frames	17-20	30	SQ4	2	41547				750/7,500	1,200/12,000	60
		65	SQ5	2-1/2	45516		#		1,200/12,000	1,700/14,000	60
F-550 Super Duty Cab & Chassis, w/34" Wide Frames	20-21	55	SQ5	2	41947		@		1,600/15,000	1,600/16,000	40
F-550 Super Duty Cab & Chassis, w/34" Wide Frames	21	30	SQ4	2	41547				750/7,500	1,200/12,000	60
		65	SQ5	2-1/2	45516		#		1,200/12,000	1,700/14,000	60
Fiesta 4 Dr. Sedan	11-13	37	SQ1	1-1/4	24856	0	HM	3593	200/2,000		15
Fiesta 5 Dr. Hatchback	11-13	25	SQ1	1-1/4	24855	0	HM,JR,KH	3593	200/2,000		30
		19	SQ1	1-1/4	24961	0	HM,JR,KH	3594	200/2,000		30
Fiesta 4 Dr. Sedan	14-19	31	SQ1	1-1/4	24910	0	HM	3593	200/2,000		15
Fiesta 5 Dr. Hatchback	14-19	25	SQ1	1-1/4	24855	0	HM,JR,KH	3593	200/2,000		30
		19	SQ1	1-1/4	24961	0	HM,JR,KH	3594	200/2,000		30
Five Hundred	05-07	33	SQ2	1-1/4	36360	0	GP,JR	36071	300/3,500		30
		42	SQ3	2	75299	0	JR		350/3,500	400/4,000	30
Flex	09-11	45	RT3	2	75679	0	HM,JR		400/4,000	400/4,000	30
Flex w/Factory 7-Way	09-12										
Flex	12-20	45	RT3	2	75679	0	HM,JR		400/4,000	400/4,000	30
Focus Sedan	00	24	SQ1	1-1/4	24692	0	HM	3593	200/2,000		20
Focus Wagon (Built Before 11/2002)	00-02	33	SQ1	1-1/4	24682	0	JR,GP	3592	200/2,000		20
Focus Sedan	01-04	24	SQ1	1-1/4	24692	0	HM	3593	200/2,000		20
Focus Wagon (Built After 11/2002)	03-07	33	SQ1	1-1/4	24682	0	JR,GP	3592	200/2,000		20
Focus Sedan, Except w/Street Appearance Pkg.	05-07	24	SQ1	1-1/4	24692	0	HM	3593	200/2,000		20
Focus	08-11	33	SQ1	1-1/4	24805	0	HM,JR,KH	3593	200/2,000		30
Focus 5 Dr. Hatchback, Except ST w/Center Exhaust	12-14	18	SQ1	1-1/4	24872	0	GP,JR,KH	3593	200/2,000		25
Focus Sedan	12-18	18	SQ1	1-1/4	24872	0	GP,JR,KH	3593	200/2,000		25
Focus 5 Dr. Hatchback, Except ST w/Center Exhaust Models & RS	15-18	18	SQ1	1-1/4	24872	0	GP,JR,KH	3593	200/2,000		25
Focus RS	16-19	33	SQ1	1-1/4	24977	0	DU,GP,TAX	3593	200/2,000		60
Focus ZX3 3 Dr. Hatchback, Except SVT & w/Street Appearance Pkg.	00-06	24	SQ1	1-1/4	24692		HM	3593	200/2,000		20
Focus ZX5 5 Dr. Hatchback, Except SVT & w/Street Appearance Pkg.	02-06	24	SQ1	1-1/4	24692		HM	3593	200/2,000		20
Freestar	04-07	41	SQ2	1-1/4	36318†	0	GP,JR	36071	300/3,500		25
		45	SQ3	2	75158		GP,JR		350/3,500	500/5,000	30
Freestyle	05-07	33	SQ2	1-1/4	36360	0	GP,JR	36071	300/3,500		30
		42	SQ3	2	75299	0	JR		350/3,500	400/4,000	30
Fusion	06-09	35	SQ1	1-1/4	24775		GP,JR,TA	3592	200/2,000		45
Fusion	10-12	25	SQ1	1-1/4	24865	0	GP,JR	3594	200/2,000		20
Fusion Except Sport	13-20	19	SQ1	1-1/4	24897	0	HM,SV	3594	200/2,000		20
Mustang	94-98	29	SQ1	1-1/4	24687		RB,GP	3592	200/2,000		20
Mustang Except Cobra SVT	99-04	29	SQ1	1-1/4	24687		RB,GP	3592	200/2,000		20
Mustang Except GT/CS (California Special)/Shelby GT/GT500	05-09	22	SQ1	1-1/4	24747		GP,JR	3592	200/2,000		45
Mustang Except GT/CS (California Special)/Shelby GT/GT500	10	23	SQ1	1-1/4	24840†		†,GP,JR,X	3592	200/2,000		45

- # Titan hitches require use of a 2-1/2" shank Titan ball mount.
- @ Ultra Frame ball mount must be used to achieve maximum weight carrying rating.
- † Available while supply lasts.
- DU Fascia removal required.
- GP Hitch cross-tube concealed behind bumper.
- HM Hitch cross-tube is visible beneath bumper.

- JR Exhaust must be temporarily lowered for installation.
- KH Minor heat shield modification may be required.
- RB Hitch installation can be made easier with a cutter type drill bit.
- SV Trimming or removal of under body appearance panel may be required.
- TA Trunk access required for hitch installation.
- X Minor fascia trimming required.

T-ONE						TOW HARNESS						4-FLAT WIRING				REQ. 4 FLAT WIRING		7-WAY HARDWIRE	BRAKE CONTROL HARNESS	IN	
PC	T-ONE	FN	IN	AMP	CP	PC	TOW HARN	FN	IN	AMP	CP	TYPE	ELEC	POS	CHOICE 1	CHOICE 2	6-WAY ADAPTER				7-WAY ADAPTER
FORD (Continued)																					
													A	PU1,2	119148	20252	20320	20321	20224	3065-P	5
													A	PU1,2	119148	20252	20320	20321	20224	3034-P	20
													A	PU1,2	119148	20252	20320	20321	20224	3036-P	20
													A	PU1,2	119148	20252	20320	20321	20224	3036-P	20
													A	PU1,2	119148	20252	20320	20321	20224		
E14	118422	CH	30	2.1,4.2	X								A,E	PC3,4	119191	119148					
E18	118471	CH	45	2.1,5.6	X								B,E	PC3,4	119191	119148					
E14	118766	CH	45	4.2,7.5	X								A,E	PC3,4	119191	119148					
E15	118641	CH	45	2.1,5.6	X								B,E	PC3,4	119191	119148					
E5	118395		10	7.5									A	PC3,4	119148	20252	20320	20321	20224		
E8	118472		15	7.5									A	SUV1,2	119148	20252	20320	20321	20224	3035-P	5
						74682		RD	10			Both	A	SUV6	119148	20252					
						85219		RD	5			7-Way	A								
E8	118472		15	7.5									A	SUV1,2	119148	20252	20320	20321	20224	3036-P	20
													B	PC3,4	119130	119178					
E5	118344	FW	10	7.5									A	PC1,2	119148	20252					
													C	PC3,4	119191	119148					
													A	PC1,2	119148	20252					
													A	PC3,4	119148	20252					
E5	118457	BN	15	7.5									A	PC1,2	119148	20252					
E18	118549	CH	45	2.1,5.6	X								B,E	PC1,2	119191	119148					
E16	118548	CH	45	2.1,5.6	X								B,E	PC1,2	119191	119148					
E18	118674	CH	45	4.2,7.5	X								B,E	PC1,2	119191	119148					
E16	118548	CH	45	2.1,5.6	X								B,E	PC3,4	119191	119148					
													A	PC1,2	119148	20252					
													A	PC1,2	119148	20252					
E17	118385	CH	45	2.1,5.6	X								N	SUV1,2		119251	20320	20321			
E5	118395		10	7.5									A	SUV3,4	119148	20252	20320	20321	20224		
E14	118422	CH	30	2.1,4.2	X								A,E	PC3,4	119191	119148					
E14	118422	CH	30	2.1,4.2	X								A,E	PC3,4	119191	119148					
E16	118574	CH	45	2.1,5.6	X								A,E	PC1,2	119191	119148					
E9	118326		20	7.5									A	PC3,4	119148	20252					
E9	118326		20	7.5									A	PC3,4	119148	20252					
E16	118487	CH	45	2.1,5.6	X								A,E	PC3,4	119191	119148					

- A** 2 wire system.
- B** 3 wire system. Converter required.
- BN** Exterior mounted plug on some or all models. May require an aftermarket electrical mounting box or bracket. (Sold separately)
- C** 2 or 3 wire system determine at installation.
- CH** T-One is equipped with circuit protected ModuLite® module.
- E** ModuLite® required.
- FW** 2003 Models w/Build date before 11/1/02.
- N** DO NOT cut or splice vehicle wiring. Only use approved T-One or see auto dealer for trailer tow wiring kit.
- RD** For vehicles equipped with factory tow package may require additional components or may be used as a replacement harness.

- RT3** Round Tube Class III 2"
- SQ1** Square Tube Class I
- SQ2** Square Tube Class II
- SQ3** Square Tube Class III
- SQ4** Square Tube Class IV
- SQ5** Square Tube Class V

# RECEIVER HITCH APPLICATIONS

RECEIVER HITCHES

F - FORD

MODEL / STYLE		YEAR	TRAILER HITCHES									
			PC	REC TYPE	REC SIZE	PART NO.	NO DRILL	FOOTNOTES	OPTIONAL DRAWBAR	WC (LBS.)	WD (LBS.)	IN
<i>For vehicles prior to 2001,</i>												
<b>FORD (Continued)</b>												
Mustang V6 Models	11-14	24	SQ1	1-1/4	24863	0	HM, JR	3594	200/2,000		40	
Mustang V8 Models	11-14	24	SQ1	1-1/4	24863	0	GP, HB, JR	3594	200/2,000		40	
Mustang	15-17	43	SQ1	1-1/4	24928	0	HM, JR, AI	3594	200/2,000		30	
Mustang	18-20	43	SQ1	1-1/4	24928	0	HM, JR, AI	3594	200/2,000		30	
Ranger	93-97	24	SQ3	2	75082		EG, SD, V, GP		400/4,000	750/6,000	20	
Ranger Except w/Rear Fascia	93-97	50	SQ3	2	37136	0			500/5,000	600/6,000	40	
Ranger	98	24	SQ3	2	75082		SD, V, GP		400/4,000	750/6,000	20	
Ranger Except Flareside or w/Rear Fascia	98-99	50	SQ3	2	37136	0			500/5,000	600/6,000	40	
Ranger	99	24	SQ3	2	75082		SD, V, GP		400/4,000	750/6,000	20	
Ranger	00-03	24	SQ3	2	75082		SD, V, GP		400/4,000	750/6,000	20	
Ranger Except Flareside or w/Rear Fascia	00-03	50	SQ3	2	37136	0			500/5,000	600/6,000	40	
Ranger w/Factory 7-Way	00-11											
Ranger	04-11	24	SQ3	2	75082		SD, V, GP		400/4,000	750/6,000	20	
Ranger Except Flareside or w/Rear Fascia	04-11	50	SQ3	2	37136	0			500/5,000	600/6,000	40	
Ranger	13-16	54	RT3	2	75790	0	HM, CS		600/4,000	600/6,000	30	
Ranger	19-20	18	SQ3	2	76275	0	CP, J		1,125/7,500	1,200/8,000	20	
Taurus 4 Dr. Sedan, Except SHO	96-99	35	SQ1	1-1/4	24699	0	GP, JR	3593	200/2,000		20	
		35	SQ2	1-1/4	36252	0	GP, JR	36063	300/3,500		20	
Taurus SHO	96-99	35	SQ2	1-1/4	36252	0	GP, JR	36063	300/3,500		20	
Taurus Wagon	96-99	35	SQ1	1-1/4	24699	0	GP, JR	3593	200/2,000		20	
		35	SQ2	1-1/4	36252	0	GP, JR	36063	300/3,500		20	
Taurus 4 Dr. Sedan	00-03	35	SQ1	1-1/4	24699	0	GP, JR	3592	200/2,000		20	
		35	SQ2	1-1/4	36252	0	GP, JR	36063	300/3,500		20	
		47	SQ2	1-1/4	36313	0	GP, JR	36061	300/3,500		40	
Taurus Wagon	00-03	35	SQ1	1-1/4	24699	0	GP, JR	3592	200/2,000		20	
		35	SQ2	1-1/4	36252	0	GP, JR	36063	300/3,500		20	
		47	SQ2	1-1/4	36313	0	GP, JR	36061	300/3,500		40	
Taurus 4 Dr. Sedan	04-06	47	SQ2	1-1/4	36313	0	GP, JR	36061	300/3,500		40	
Taurus Wagon	04-06	47	SQ2	1-1/4	36313	0	GP, JR	36061	300/3,500		40	
Taurus 4 Dr. Sedan	08-09	33	SQ2	1-1/4	36360	0	GP, JR	36071	300/3,500		30	
		42	SQ3	2	75299	0	JR		350/3,500	400/4,000	30	
Taurus 4 Dr. Sedan	10-19	36	SQ2	1-1/4	36492		GP, JR	36071	300/3,500		30	
		45	SQ3	2	75670		GP, JR		400/4,000	400/4,000	30	
Taurus X	08-09	33	SQ2	1-1/4	36360	0	GP, JR	36071	300/3,500		30	
		42	SQ3	2	75299	0	JR		350/3,500	400/4,000	30	
Thunderbird	96-97	41	SQ2	1-1/4	36179	0	GP	36063	300/3,500		40	
Transit Connect	10-13	33	RT3	2	75678	0			350/3,500	400/4,000	20	
Transit Connect	14-21	32	RT3	2	75852	0	HM		400/3,500	400/4,000	15	
Transit-150 Except Cab & Chassis and the Cutaway	15-20	27	RT3	2	75912	0	HM		750/5,000	800/8,000	25	
Transit-250 Except Cab & Chassis and the Cutaway	15-20	27	RT3	2	75912	0	HM		750/5,000	800/8,000	25	
Transit-350 Except Single Rear Wheel w/148" Wheelbase or Cab & Chassis and the Cutaway	15-20	27	RT3	2	75912	0	HM		750/5,000	800/8,000	25	
Transit-350 Single Rear Wheel w/148" Wheelbase, Except Cab & Chassis and the Cutaway	15-20	27	RT3	2	75912	0	HM		750/5,000	800/8,000	25	
Windstar	95-98	30	SQ2	1-1/4	36189		GP	36061	300/3,500		30	
		43	SQ3	2	75055		GP		350/3,500	500/5,000	40	
Windstar (Built Before 11/2002)	99-03	30	SQ2	1-1/4	36189		GP	36061	300/3,500		30	
		43	SQ3	2	75055		GP		350/3,500	500/5,000	40	
		50	SQ3	2	37136	0	AF		500/5,000	600/6,000	40	
Windstar (Built After 11/2002)	03	30	SQ2	1-1/4	36189		GP	36061	300/3,500		30	
		43	SQ3	2	75055		GP		350/3,500	500/5,000	40	
		50	SQ3	2	37136	0	AF		500/5,000	600/6,000	40	

**AF** Hitch is ONLY rated for Weight Carrying at 3500 lbs. GTW / 350 lbs. TW and DO NOT use Weight Distribution Spring Bars for this Specific Vehicle. Except for long bed pickups.

**AI** Additional installation time may be required.

**CP** Fits all models without factory installed receiver.

**CS** Will fit with full-size spare tire stowed under vehicle.

**EG** Relocation of spare tire bracket is not required. NOTE: 19mm open end style wrench must be purchased to allow removal of spare tire after hitch installation.

**GP** Hitch crosstube concealed behind bumper.

**HB** Slight fascia deformation may occur on some models.

**HM** Hitch crosstube is visible beneath bumper.

**J** Under vehicle spare tire stowage is retained.

**JR** Exhaust must be temporarily lowered for installation.

**SD** Hitches produced before 07/21/06 are rated at 350/3500 WC.

**V** For vehicles with factory installed step bumpers only.

T-ONE						TOW HARNESS					4-FLAT WIRING				REQ. 4 FLAT WIRING		7-WAY HARDWIRE	BRAKE CONTROL HARNESS	IN	
PC	T-ONE	FN	IN	AMP	CP	PC	TOW HARN	FN	IN	AMP	CP	TYPE	ELEC	POS	CHOICE 1	CHOICE 2				6-WAY ADAPTER
FORD (Continued)																				
E16	118487	CH	45	2.1,5,6	X								A,E	PC3,4	119191	119148				
E16	118487	CH	45	2.1,5,6	X								A,E	PC3,4	119191	119148				
E16	118487	CH	45	2.1,5,6	X								A,E	PC3,4	119191	119148				
E13	118325	BN,HG	5	2.1,5									B	PU3	119130	119178	20320	20321	20224	
E13	118325	BN,HG	5	2.1,5									B	PU3	119130	119178	20320	20321	20224	
E13	118325	BN,HG	5	2.1,5		E3	118241	BN,RD	5	7.5		4-Flat	B	PU3	119130	119178	20320	20321	20224	
E13	118325	BN,HG	5	2.1,5		E3	118241	BN,RD	5	7.5		4-Flat	B	PU3	119130	119178	20320	20321	20224	
E13	118325	BN,HG	5	2.1,5		E3	118241	BN,RD	5	7.5		4-Flat	B	PU3	119130	119178	20320	20321	20224	
E5	118344	BN	10	7.5									A	PU1,2	119148	20252	20320	20321	20224	
E5	118344	BN	10	7.5									A	PU1,2	119148	20252	20320	20321	20224	
							74682 85219	RD RD	10 5			Both 7-Way	A	PU5	119148	20252			20224	
													A	PU1,2	119148	20252	20320	20321	20224	
													A	PU1,2	119148	20252	20320	20321	20224	
E16	118654	CH,BN	45	4.2,7,5	X								B,E	PU3,4	119191	119148	20320	20321		
						E20	22124		45			7-Way	A	PU3						7865
E9	118333	HG	10	2.1,5									B	PC3,4	119130	119178				
E9	118333	HG	10	2.1,5									B	PC3,4	119130	119178				
													B	PC3,4	119130	119178				
E4	118375		10	7.5									A	PC3,4	119148	20252				
													C	PC3,4	119191	119148				
													A	PC3,4	119148	20252				
													A	PC3,4	119148	20252				
E7	118447		10	7.5									A	PC3,4	119148	20252	20320	20321	20224	
E15	118599	CH	45	2.1,5,6	X								B,E	PC3,4	119191	119148	20320	20321	20224	
E7	118448		15	7.5									A	SUV3,4	119148	20252	20320	20321	20224	
													A,E	PC3,4	119191	119148				
E26	118585	BN,CH	45	4.2,7,5	X								B,E	SUV1,2	119191	119148	20320	20321	20224	
E14	118613	BN,CH	45	4.2,7,5	X								B,E	SUV3,4	119191	119148	20320	20321	20224	
E16	118643	CH	45	4.2,7,5	X		22114		60			7-Way	A,E	SUV1,2	119191	119148	20320	20321	20224	
E16	118643	CH	45	4.2,7,5	X		22114		60			7-Way	A,E	SUV1,2	119191	119148	20320	20321	20224	
E18	118722	BN,CH	45	5,7,5	X		22116		90			7-Way	A,E	SUV1,2	119191	119148	20320	20321	20224	
E16	118643	BN,CH	45	4.2,7,5	X		22114		60			7-Way	A,E	SUV1,2	119191	119148	20320	20321	20224	
		HG											B	SUV1,2	119130	119178	20320	20321	20224	3035-P 5
E19	118366	FW,LS	45	2.1,4,2									G	SUV1,2		119251	20320	20321		3035-P 5
E19	118305	FV,LS	45	2.1,4,2									G	SUV1,2		119251	20320	20321		3035-P 5

- A** 2 wire system.
- B** 3 wire system. Converter required.
- BN** Exterior mounted plug on some or all models. May require an aftermarket electrical mounting box or bracket. (Sold separately)
- C** 2 or 3 wire system determine at installation.
- CH** T-One is equipped with circuit protected ModuLite® module.
- E** ModuLite® required.
- FV** 2003 Models w/Build date after 11/1/02.
- FW** 2003 Models w/Build date before 11/1/02.
- G** Low-side switching system.
- HG** T-One incorporates taillight converter.
- LS** T-One incorporates low-side switching taillight converter. Additional installation time required.
- RD** For vehicles equipped with factory tow package may require additional components or may be used as a replacement harness.

- RT3** Round Tube Class III 2"
- SQ1** Square Tube Class I
- SQ2** Square Tube Class II
- SQ3** Square Tube Class III

# RECEIVER HITCH APPLICATIONS

RECEIVER HITCHES

F - FREIGHTLINER

MODEL / STYLE	YEAR	TRAILER HITCHES											
		PC	REC TYPE	REC SIZE	PART NO.	NO DRILL	FOOTNOTES	OPTIONAL DRAWBAR	WC (LBS.)	WD (LBS.)	IN		
<i>For vehicles prior to 2001,</i>													
<b>FREIGHTLINER</b>													
SL	04-20												
Sprinter 2500 w/41" Wide Frames, Except 118" Wheelbase & Factory Metal Step Platform	03-06	48	SQ3	2	75210	0	HM		500/5,000	750/7,500	20		
Sprinter 2500 w/41" Wide Frames, Except 118" Wheelbase & Factory Metal Step Platform, w/Factory 7-Way	03-06												
Sprinter 2500 144" & 170" Wheelbase, Except w/Factory Step Bumper	07-09	53	SQ4	2	75549	0	HM,UL		600/6,000	750/7,500	20		
Sprinter 2500 144" & 170" Wheelbase, Except w/Factory Step Bumper, w/Factory 7-Way	07-09												
Sprinter 2500 w/Factory Step Bumper Excluding Models w/30-3/8" Frame Width	07-09	52	SQ3	2	75601	0	HM		500/5,000	750/7,500	30		
Sprinter 2500 w/Factory Step Bumper, w/Factory 7-Way	07-09												
Sprinter 2500 144" & 170" Wheelbase, Except w/Factory Step Bumper	10-12	53	SQ4	2	75549	0	HM,UL		600/6,000	750/7,500	20		
Sprinter 2500 w/Factory Step Bumper Excluding Models w/30-3/8" Frame Width	10-12	52	SQ3	2	75601	0	HM		500/5,000	750/7,500	30		
Sprinter 2500 144" & 170" Wheelbase, Except w/Factory Step Bumper	13	53	SQ4	2	75549	0	HM,UL		600/6,000	750/7,500	20		
Sprinter 2500 w/Factory Step Bumper Excluding Models w/30-3/8" Frame Width	13	52	SQ3	2	75601	0	HM		500/5,000	750/7,500	30		
Sprinter 2500	14-20												
Sprinter 3500 w/41" Wide Frames, Except 118" Wheelbase & Factory Metal Step Platform	03-06	48	SQ3	2	75210	0	HM		500/5,000	750/7,500	20		
Sprinter 3500 w/41" Wide Frames, Except 118" Wheelbase & Factory Metal Step Platform, w/Factory 7-Way	03-06												
Sprinter 3500 144" & 170" Wheelbase, Except w/Factory Step Bumper	07-09	53	SQ4	2	75549	0	HM,UL		600/6,000	750/7,500	20		
Sprinter 3500 w/Factory Step Bumper Excluding Models w/30-3/8" Frame Width	07-09	52	SQ3	2	75601	0	HM		500/5,000	750/7,500	30		
Sprinter 3500 w/Factory Step Bumper, w/Factory 7-Way	07-09												
Sprinter 3500 144" & 170" Wheelbase, Except w/Factory Step Bumper	10-12	53	SQ4	2	75549	0	HM,UL		600/6,000	750/7,500	20		
Sprinter 3500 w/Factory Step Bumper Excluding Models w/30-3/8" Frame Width	10-12	52	SQ3	2	75601	0	HM		500/5,000	750/7,500	30		
Sprinter 3500 144" & 170" Wheelbase, Except w/Factory Step Bumper	13	53	SQ4	2	75549	0	HM,UL		600/6,000	750/7,500	20		
Sprinter 3500 w/Factory Step Bumper Excluding Models w/30-3/8" Frame Width	13	52	SQ3	2	75601	0	HM		500/5,000	750/7,500	30		
Sprinter 3500	14-20												
XC	04-20												
<b>GENESIS</b>													
G80	17-20												
<b>GEO</b>													
Prizm	93-97	25	SQ1	1-1/4	24579		GP	3593	200/2,000		30		
Tracker	96-97	24	SQ1	1-1/4	24622	0	HM	3593	200/2,000		20		
<b>GMC</b>													
Acadia	07-12	19	RT3	2	75528	0	GP,JR,TN		750/5,000	750/7,500	25		
Acadia w/Factory 7-Way	07-18												
Acadia	13-16	19	RT3	2	75528	0	GP,JR,TN		750/5,000	750/7,500	25		
Acadia	17	24	SQ3	2	76023	0	GP,JR,AA,DU,SV,TA		675/4,500	675/4,500	90		
Acadia	18-20	24	SQ3	2	76023	0	GP,JR,AA,DU,SV,TA		675/4,500	675/4,500	90		
<table border="0" style="width: 100%;"> <tr> <td style="width: 50%; vertical-align: top;"> <b>AA</b> Requires temporary removal of bumper during installation.  <b>DU</b> Fascia removal required.  <b>GP</b> Hitch cross-tube concealed behind bumper.  <b>HM</b> Hitch cross-tube is visible beneath bumper.  <b>JR</b> Exhaust must be temporarily lowered for installation.                 </td> <td style="width: 50%; vertical-align: top;"> <b>SV</b> Trimming or removal of under body appearance panel may be required.  <b>TA</b> Trunk access required for hitch installation.  <b>TN</b> Hitches produced before 07/09/12 are rated at 500/5000 WC &amp; 500/5000 WD.  <b>UL</b> This hitch will not fit a Sprinter single or dual rear-wheel vehicle with a 30-3/8 in. wide frame measured outside of frame to outside of frame.                 </td> </tr> </table>												<b>AA</b> Requires temporary removal of bumper during installation. <b>DU</b> Fascia removal required. <b>GP</b> Hitch cross-tube concealed behind bumper. <b>HM</b> Hitch cross-tube is visible beneath bumper. <b>JR</b> Exhaust must be temporarily lowered for installation.	<b>SV</b> Trimming or removal of under body appearance panel may be required. <b>TA</b> Trunk access required for hitch installation. <b>TN</b> Hitches produced before 07/09/12 are rated at 500/5000 WC & 500/5000 WD. <b>UL</b> This hitch will not fit a Sprinter single or dual rear-wheel vehicle with a 30-3/8 in. wide frame measured outside of frame to outside of frame.
<b>AA</b> Requires temporary removal of bumper during installation. <b>DU</b> Fascia removal required. <b>GP</b> Hitch cross-tube concealed behind bumper. <b>HM</b> Hitch cross-tube is visible beneath bumper. <b>JR</b> Exhaust must be temporarily lowered for installation.	<b>SV</b> Trimming or removal of under body appearance panel may be required. <b>TA</b> Trunk access required for hitch installation. <b>TN</b> Hitches produced before 07/09/12 are rated at 500/5000 WC & 500/5000 WD. <b>UL</b> This hitch will not fit a Sprinter single or dual rear-wheel vehicle with a 30-3/8 in. wide frame measured outside of frame to outside of frame.												

T-ONE						TOW HARNESS						4-FLAT WIRING				REQ. 4 FLAT WIRING		7-WAY HARDWIRE	BRAKE CONTROL HARNESS	IN			
PC	T-ONE	FN	IN	AMP	CP	PC	TOW HARN	FN	IN	AMP	CP	TYPE	ELEC	POS	CHOICE 1	CHOICE 2	6-WAY ADAPTER				7-WAY ADAPTER		
<b>FREIGHTLINER</b>																							
						E3	118381	BN,RD	5	7.5		4-Flat	B,E	SUV3,4	119148	20252	20320	20321	20224	3027-P 3063-P	5 10		
							20135	RD	10			Both	H	SUV6	119148	20252							
E17	118650	CH	45	5,7.5	X	E3	118381	BN,RD	5	7.5		4-Flat	B,E	SUV1,2	119191	119148	20320	20321	20224	3063-P	10		
							20135	RD	10			Both	H	SUV6	119148	20252					3063-P	10	
E17	118650	CH	45	5,7.5	X	E3	118381	BN,RD	5	7.5		4-Flat	B,E	SUV1,2	119191	119148	20320	20321	20224	3063-P	10		
							20135	RD	10			Both	H	SUV6	119148	20252					3063-P	10	
E17	118650	CH	45	5,7.5	X								B,E	SUV1,2	119191	119148	20320	20321	20224				
E17	118650	CH	45	5,7.5	X								B,E	SUV3,4	119192	119191	20320	20321	20224				
E17	118650	CH	45	5,7.5	X								B,E	SUV3,4	119192	119191	20320	20321	20224				
E19	118649	CH	45	5,7.5	X		22115		90			7-Way	BT	SUV3,4	119251	119191					3063-P	10	
						E3	118381	BN,RD	5	7.5		4-Flat	B,E	SUV3,4	119191	119148	20320	20321	20224				
							20135	RD	10			Both	H	SUV6	119148	20252							
E17	118650	CH	45	5,7.5	X	E3	118381	BN,RD	5	7.5		4-Flat	B,E	SUV1,2	119191	119148	20320	20321	20224	3063-P	10		
E17	118650	CH	45	5,7.5	X	E3	118381	BN,RD	5	7.5		4-Flat	B,E	SUV1,2	119191	119148	20320	20321	20224	3063-P	10		
							20135	RD	10			Both	H	SUV6	119148	20252					3063-P	10	
E17	118650	CH	45	5,7.5	X								B,E	SUV1,2	119191	119148	20320	20321	20224				
E17	118650	CH	45	5,7.5	X								B,E	SUV1,2	119191	119148	20320	20321	20224				
E17	118650	CH	45	5,7.5	X								B,E	SUV3,4	119251	119191	20320	20321	20224				
E17	118650	CH	45	5,7.5	X								B,E	SUV3,4	119251	119191	20320	20321	20224				
E19	118649	CH	45	5,7.5	X		22115		90			7-Way	BT	SUV3,4	119251	119191					3063-P 3027-P	10 5	
<b>GENESIS</b>																							
E13	118738	CH	45	5,7.5	X								B,E	PC3,4	119191	119148							
<b>GEO</b>																							
													B	PC3,4	119130	119178							
E5	118372	HG	5	2.15									B	SUV1,2	119130	119178							
<b>GMC</b>																							
E11	118451	BN	15	7.5		E8	118384	BN,RD	5	7.5		4-Flat	N	SUV1,2		119251	20320	20321			3026-P	5	
							8551511	RD				7-Way	N	SUV6		119251						3026-P	5
							74682	RD	10			Both											
							85219	RD	5			7-Way											
E10	118270	BN	20	7.5		E16	118271	BN	20			7-Way	A,E	SUV1,2	119191	119148	20320	20321	20224	3026-P	5		
E3	118720	BN	10	7.5		E9	118276	BN	10			7-Way	A	SUV6	119148	20252					3026-P	5	
E3	118720	BN	10	7.5		E9	118276	BN	10			7-Way	A	SUV6	119148	20252							

- A** 2 wire system.
- B** 3 wire system. Converter required.
- BN** Exterior mounted plug on some or all models. May require an aftermarket electrical mounting box or bracket. (Sold separately)
- BT** Shared Brake/Tail multiplexed wiring system. ModuLite® HD Plus or Ultra required.
- CH** T-One is equipped with circuit protected ModuLite® module.
- E** ModuLite® required.
- H** 3 wire system with OEM standard 2 wire harness.
- HG** T-One incorporates taillight converter.
- N** DO NOT cut or splice vehicle wiring. Only use approved T-One or see auto dealer for trailer tow wiring kit.
- RD** For vehicles equipped with factory tow package may require additional components or may be used as a replacement harness.

- RT3** Round Tube Class III 2"
- SQ1** Square Tube Class I
- SQ3** Square Tube Class III
- SQ4** Square Tube Class IV



# RECEIVER HITCH APPLICATIONS

RECEIVER HITCHES

MODEL / STYLE	YEAR	TRAILER HITCHES									
		PC	REC TYPE	REC SIZE	PART NO.	NO DRILL	FOOTNOTES	OPTIONAL DRAWBAR	WC (LBS.)	WD (LBS.)	IN
<i>For vehicles prior to 2001,</i>											
<b>GMC (Continued)</b>											
Acadia	21	24	SQ3	2	76023	0	GP, JR, AA, DU, SV, TA		675/4,500	675/4,500	90
Acadia Limited	17	19	RT3	2	75528	0	GP, JR, TN		750/5,000	750/7,500	25
C1500 w/34" Wide Frames	85-99	50	SQ5	2	41938		@, CC		1,200/12,000	1,500/15,000	40
		55	SQ5	2	41947		@		1,600/15,000	1,600/16,000	35
C1500	88-99	49	RT3	2	37133				500/5,000	750/7,500	40
		35	SQ3	2	75033	0	HM, J		500/5,000	800/8,000	20
		25	SQ3	2	75099	0	GP		500/5,000	800/8,000	20
		37	SQ4	2	40050		HC		600/6,000	1,000/10,000	40
		44	SQ4	2	41524	0	GP		600/6,000	1,000/10,000	20
		54	RT4	2	37130				700/7,000	1,200/12,000	40
		45	SQ5	2	41901		@, DB, GP, SN		1,000/10,000	1,300/13,000	30
C1500 w/10" Deep Drop Bumper	88-99	49	SQ4	2	41528	0	FS, J		600/6,000	1,000/10,000	20
C1500 w/Aftermarket Roll Pan	88-99	37	SQ3	2	41522		CO, HK		500/5,000	550/5,500	40
C2500 w/34" Wide Frames	85-00	50	SQ5	2	41938		@, CC		1,200/12,000	1,500/15,000	40
		55	SQ5	2	41947		@		1,600/15,000	1,600/16,000	35
C2500	88-00	49	RT3	2	37133				500/5,000	750/7,500	40
		35	SQ3	2	75033	0	HM, J		500/5,000	800/8,000	20
		25	SQ3	2	75099	0	GP		500/5,000	800/8,000	20
		37	SQ4	2	40050		HC		600/6,000	1,000/10,000	40
		44	SQ4	2	41524	0	GP		600/6,000	1,000/10,000	20
		54	RT4	2	37130				700/7,000	1,200/12,000	40
		45	SQ5	2	41901		@, DB, GP, SN		1,000/10,000	1,300/13,000	30
		59	SQ5	2-1/2	45506		#		1,200/12,000	1,700/14,000	45
C2500 w/10" Deep Drop Bumper	88-00	49	SQ4	2	41528	0	FS, J		600/6,000	1,000/10,000	20
C2500 w/Aftermarket Roll Pan	88-00	37	SQ3	2	41522		CO, HK		500/5,000	550/5,500	40
C3500 w/34" Wide Frames	85-00	50	SQ5	2	41938		@, CC		1,200/12,000	1,500/15,000	40
		55	SQ5	2	41947		@		1,600/15,000	1,600/16,000	35
C3500	88-00	49	RT3	2	37133				500/5,000	750/7,500	40
		35	SQ3	2	75033	0	HM, J		500/5,000	800/8,000	20
		25	SQ3	2	75099	0	GP		500/5,000	800/8,000	20
		37	SQ4	2	40050		HC		600/6,000	1,000/10,000	40
		44	SQ4	2	41524	0	GP		600/6,000	1,000/10,000	20
		54	RT4	2	37130				700/7,000	1,200/12,000	40
		45	SQ5	2	41901		@, DB, GP, SN		1,000/10,000	1,300/13,000	30
		59	SQ5	2-1/2	45506		#		1,200/12,000	1,700/14,000	45
C3500 w/10" Deep Drop Bumper	88-00	49	SQ4	2	41528	0	FS, J		600/6,000	1,000/10,000	20
C3500 w/Aftermarket Roll Pan	88-00	37	SQ3	2	41522		CO, HK		500/5,000	550/5,500	40
C4500 Topkick Cab & Chassis, w/34" Wide Frames	03-09	55	SQ5	2	41947		@		1,600/15,000	1,600/16,000	35
C5500 Topkick Cab & Chassis, w/34" Wide Frames	03-09	55	SQ5	2	41947		@		1,600/15,000	1,600/16,000	35
C6500 Topkick Cab & Chassis, w/34" Wide Frames	99-09	55	SQ5	2	41947		@		1,600/15,000	1,600/16,000	35
C7500 Topkick Cab & Chassis, w/34" Wide Frames	99-09	55	SQ5	2	41947		@		1,600/15,000	1,600/16,000	35
Canyon	04-12	23	SQ4	2	75607	0	CP, GP		600/6,000	750/7,500	25
Canyon w/Factory 7-Way	04-12										
Canyon	15-20	34	RT4	2	75948	0	HM, AA, V, SO, TZ		800/6,000	800/8,000	35
		30	SQ4	2	76004	0	HM, AA, V, SO, TZ		800/8,000	1,000/10,000	35
Envoy w/Factory 7-Way	02-09										
Jimmy Downsize	95-98	21	RT3	2	75079	0	FP, KK, SD		400/4,000	600/6,000	15
Jimmy Downsize	99-01	21	RT3	2	75079	0	FP, KK, SD		400/4,000	600/6,000	15

- # Titan hitches require use of a 2-1/2" shank Titan ball mount.
- @ Ultra Frame ball mount must be used to achieve maximum weight carrying rating.
- AA Requires temporary removal of bumper during installation.
- CC Requires minimum of 19 in. from end of frame rail to spring shackle bracket.
- CO Will not fit 8 ft. 2500/3500 Series with heavy-duty suspension or four door Crew Cab.
- CP Fits all models without factory installed receiver.
- DB Will not fit 6 ft. bed pickups.
- DU Fascia removal required.
- FP Spare tire repositioning and/or modification of spare tire carrier may be required.
- FS Includes 2 & 4 WD models with heavy duty suspension.
- GP Hitch cross-tube concealed behind bumper.
- HC Will not fit with mini or full size tire stowed under vehicle.
- HM Hitch cross-tube is visible beneath bumper.
- J Under vehicle spare tire stowage is retained.
- JR Exhaust must be temporarily lowered for installation.
- KK When installing on a vehicle originally equipped with an OEM hitch, OEM bumper brackets must be purchased and installed prior to new hitch installation.
- SD Hitches produced before 07/21/06 are rated at 350/3500 WC.
- SN Hitches produced before 04/28/08 are rated at 1000/10000 WC & 1200/12000 WD.
- SO With this hitch installed the step bumper is no longer able to be used as a towing point.
- SV Trimming or removal of under body appearance panel may be required.
- TA Trunk access required for hitch installation.
- TN Hitches produced before 07/09/12 are rated at 500/5000 WC & 500/5000 WD.
- TZ Requires replacement of the impact structure with hitch.

T-ONE						TOW HARNESS					4-FLAT WIRING				REQ. 4 FLAT WIRING		7-WAY HARDWIRE	BRAKE CONTROL HARNESS	IN		
PC	T-ONE	FN	IN	AMP	CP	PC	TOW HARN	FN	IN	AMP	CP	TYPE	ELEC	POS	CHOICE 1	CHOICE 2				6-WAY ADAPTER	7-WAY ADAPTER
GMC (Continued)																					
E3	118720	BN	10	7.5									A	SUV6	119148	20252					
E10	118270	BN	20	7.5		E16	118271	BN	20			7-Way	A,E	SUV1,2	119191	119148	20320	20321	20224	3026-P	5
													A	PU1,2	119148	20252	20320	20321	20224		
E4	118315	BN	5	7.5									A	PU3	119148	20252	20320	20321	20224		
E4	118315	BN	5	7.5									A	PU3	119148	20252	20320	20321	20224		
E4	118315	BN	5	7.5									A	PU3	119148	20252	20320	20321	20224		
E4	118315	BN	5	7.5									A	PU3	119148	20252	20320	20321	20224		
E4	118315	BN	5	7.5									A	PU3	119148	20252	20320	20321	20224		
E4	118315	BN	5	7.5									A	PU3	119148	20252	20320	20321	20224		
E4	118315	BN	5	7.5									A	PU3	119148	20252	20320	20321	20224		
E4	118315	BN	5	7.5									A	PU1,2	119148	20252	20320	20321	20224		
E4	118315	BN	5	7.5									A	PU3	119148	20252	20320	20321	20224		
E4	118315	BN	5	7.5									A	PU3	119148	20252	20320	20321	20224		
E4	118315	BN	5	7.5									A	PU3	119148	20252	20320	20321	20224		
E4	118315	BN	5	7.5									A	PU3	119148	20252	20320	20321	20224		
E4	118315	BN	5	7.5									A	PU1,2	119148	20252	20320	20321	20224		
E4	118315	BN	5	7.5									A	PU3	119148	20252	20320	20321	20224		
E4	118315	BN	5	7.5									A	PU3	119148	20252	20320	20321	20224		
E10	118301	BN,CG	10	2.1,5	X	E8	118384	BN,RD	5	7.5		4-Flat	B	PU3	119130	119178	20320	20321	20224		
							74682	RD	10			Both	H	PU3	119148	20252					
							8551511	RD				7-Way									
							85219	RD	5			7-Way									
													A	PU3	119148	20252	20320	20321	20224		
							E8	118384	BN,RD	5	7.5		4-Flat	H	SUV6	119148	20252				
							74682	RD	10			Both									
							8551511	RD				7-Way									
							85219	RD	5			7-Way									
													A	SUV7	119148	20252	20320	20321	20224		
							E8	118384	BN,RD	5	7.5		4-Flat	A	SUV7	119148	20252	20320	20321	20224	

**A** 2 wire system.  
**B** 3 wire system. Converter required.  
**BN** Exterior mounted plug on some or all models. May require an aftermarket electrical mounting box or bracket. (Sold separately)  
**CG** T-One incorporates circuit protected taillight converter.

**E** ModuLite® required.  
**H** 3 wire system with OEM standard 2 wire harness.  
**RD** For vehicles equipped with factory tow package may require additional components or may be used as a replacement harness.

**RT3** Round Tube Class III 2"  
**RT4** Round Tube Class IV 2"  
**SQ3** Square Tube Class III  
**SQ4** Square Tube Class IV  
**SQ5** Square Tube Class V

**RECEIVER HITCH APPLICATIONS**

MODEL / STYLE	YEAR	TRAILER HITCHES									
		PC	REC TYPE	REC SIZE	PART NO.	NO DRILL	FOOTNOTES	OPTIONAL DRAWBAR	WC (LBS.)	WD (LBS.)	IN
<i>For vehicles prior to 2001,</i>											
<b>GMC (Continued)</b>											
Jimmy Downsize, w/Factory 7-Way	99-01										
Jimmy Downsize	02-05	21	RT3	2	75079	0	FP, KK, SD		400/4,000	600/6,000	15
K1500	88-99	49	RT3	2	37133				500/5,000	750/7,500	40
		35	SQ3	2	75033	0	HM, J		500/5,000	800/8,000	20
		25	SQ3	2	75099	0	GP		500/5,000	800/8,000	20
		44	SQ4	2	41524	0	GP		600/6,000	1,000/10,000	20
		54	RT4	2	37130				700/7,000	1,200/12,000	40
		45	SQ5	2	41901		@, DB, GP, SN		1,000/10,000	1,300/13,000	30
K1500 w/10" Deep Drop Bumper	88-99	49	SQ4	2	41528	0	FS, J		600/6,000	1,000/10,000	20
K1500 w/34" Wide Frames	88-99	50	SQ5	2	41938		@, CC		1,200/12,000	1,500/15,000	40
		55	SQ5	2	41947		@		1,600/15,000	1,600/16,000	35
K1500 w/Aftermarket Roll Pan	88-99	37	SQ3	2	41522		CO, HK		500/5,000	550/5,500	40
K2500	88-00	49	RT3	2	37133				500/5,000	750/7,500	40
		35	SQ3	2	75033	0	HM, J		500/5,000	800/8,000	20
		25	SQ3	2	75099	0	GP		500/5,000	800/8,000	20
		44	SQ4	2	41524	0	GP		600/6,000	1,000/10,000	20
		54	RT4	2	37130				700/7,000	1,200/12,000	40
		45	SQ5	2	41901		@, DB, GP, SN		1,000/10,000	1,300/13,000	30
		59	SQ5	2-1/2	45506		#		1,200/12,000	1,700/14,000	45
K2500 w/10" Deep Drop Bumper	88-00	49	SQ4	2	41528	0	FS, J		600/6,000	1,000/10,000	20
K2500 w/34" Wide Frames	88-00	50	SQ5	2	41938		@, CC		1,200/12,000	1,500/15,000	40
		55	SQ5	2	41947		@		1,600/15,000	1,600/16,000	35
K2500 w/Aftermarket Roll Pan	88-00	37	SQ3	2	41522		CO, HK		500/5,000	550/5,500	40
K3500	88-00	49	RT3	2	37133				500/5,000	750/7,500	40
		35	SQ3	2	75033	0	HM, J		500/5,000	800/8,000	20
		25	SQ3	2	75099	0	GP		500/5,000	800/8,000	20
		44	SQ4	2	41524	0	GP		600/6,000	1,000/10,000	20
		54	RT4	2	37130				700/7,000	1,200/12,000	40
		45	SQ5	2	41901		@, DB, GP, SN		1,000/10,000	1,300/13,000	30
		59	SQ5	2-1/2	45506		#		1,200/12,000	1,700/14,000	45
K3500 w/10" Deep Drop Bumper	88-00	49	SQ4	2	41528	0	FS, J		600/6,000	1,000/10,000	20
K3500 w/34" Wide Frames	88-00	50	SQ5	2	41938		@, CC		1,200/12,000	1,500/15,000	40
		55	SQ5	2	41947		@		1,600/15,000	1,600/16,000	35
K3500 w/Aftermarket Roll Pan	88-00	37	SQ3	2	41522		CO, HK		500/5,000	550/5,500	40
Safari Extended Body	90-05	33	SQ2	1-1/4	361971	0	CS, HM	36051	300/3,500		30
		34	SQ2	1-1/4	361981	0	CS, GP	36053	300/3,500		30
		33	SQ3	2	75122	0	CS, GP		300/3,500	600/6,000	30
		50	SQ3	2	37136		AF		500/5,000	600/6,000	65
Savana 1500	96-99	31	SQ2	1-1/4	36206	0	HM	36053	300/3,500		15
		50	SQ3	2	37136		HM		500/5,000	600/6,000	30
		20	SQ3	2	75189	0	HM		500/5,000	750/7,500	15
		33	SQ4	2	41521	0	HM		600/6,000	1,000/10,000	15
		42	SQ5	2	41946		@, HM		1,500/10,000	1,300/13,000	35
Savana 1500	00-02	31	SQ2	1-1/4	36206	0	HM	36053	300/3,500		15
		50	SQ3	2	37136		HM		500/5,000	600/6,000	30
		20	SQ3	2	75189	0	HM		500/5,000	750/7,500	15
		33	SQ4	2	41521	0	HM		600/6,000	1,000/10,000	15
		42	SQ5	2	41946		@, HM		1,500/10,000	1,300/13,000	35

- |  |  |
|--|--|
| # Titan hitches require use of a 2-1/2" shank Titan ball mount.  | FS Includes 2 & 4 WD models with heavy duty suspension.  |
| @ Ultra Frame ball mount must be used to achieve maximum weight carrying rating.   | GP Hitch crosstube concealed behind bumper.  |
| AF Hitch is ONLY rated for Weight Carrying at 3500 lbs. GTW / 350 lbs. TW and DO NOT use Weight Distribution Spring Bars for this Specific Vehicle. Except for long bed pickups. | HK Under vehicle spare tire stowage may be retained with installation of an aftermarket spare tire repositioner. Cutting of rollpan in license plate area required for receiver tube access. Does not fit with bumper. |
| CC Requires minimum of 19 in. from end of frame rail to spring shackle bracket.  | HM Hitch crosstube is visible beneath bumper.  |
| CO Will not fit 8 ft. 2500/3500 Series with heavy-duty suspension or four door Crew Cab.   | J Under vehicle spare tire stowage is retained.  |
| CS Will fit with full-size spare tire stowed under vehicle.  | KK When installing on a vehicle originally equipped with an OEM hitch. OEM bumper brackets must be purchased and installed prior to new hitch installation.  |
| DB Will not fit 6 ft. bed pickups.   | SD Hitches produced before 07/21/06 are rated at 350/3500 WC.  |
| FP Spare tire repositioning and/or modification of spare tire carrier may be required.   | SN Hitches produced before 04/28/08 are rated at 1000/10000 WC & 1200/12000 WD.  |

T-ONE						TOW HARNESS						4-FLAT WIRING				REQ. 4 FLAT WIRING		7-WAY HARDWIRE	BRAKE CONTROL HARNESS	IN
PC	T-ONE	FN	IN	AMP	CP	PC	TOW HARN	FN	IN	AMP	CP	TYPE	ELEC	POS	CHOICE 1	CHOICE 2	6-WAY ADAPTER			
GMC (Continued)																				
							74682 85219 8551511	RD RD RD	10 5			Both 7-Way 7-Way	A	SUV6	119148	20252				
E4	118315	BN	5	7.5									A	SUV7	119148	20252	20320	20321	20224	
													A	PU3	119148	20252	20320	20321	20224	
E4	118315	BN	5	7.5									A	PU3	119148	20252	20320	20321	20224	
													A	PU1,2	119148	20252	20320	20321	20224	
E4	118315	BN	5	7.5									A	PU3	119148	20252	20320	20321	20224	
E4	118315	BN	5	7.5									A	PU3	119148	20252	20320	20321	20224	
E4	118315	BN	5	7.5									A	PU3	119148	20252	20320	20321	20224	
													A	PU1,2	119148	20252	20320	20321	20224	
E4	118315	BN	5	7.5									A	PU3	119148	20252	20320	20321	20224	
E4	118315	BN	5	7.5									A	PU3	119148	20252	20320	20321	20224	
E4	118315	BN	5	7.5									A	PU3	119148	20252	20320	20321	20224	
													A	SUV4	119148	20252	20320	20321	20224	
E10	118335	HG	10	2.1,5		E1	118240	RD	5	7.5		4-Flat	B	SUV3,4	119130	119178	20320	20321	20224	
E10	118377	HG	10	2.1,5		E1	118240	RD	5	7.5		4-Flat	B	SUV3,4	119130	119178	20320	20321	20224	

**A** 2 wire system.  
**B** 3 wire system. Converter required.  
**BN** Exterior mounted plug on some or all models. May require an aftermarket electrical mounting box or bracket. (Sold separately)

**HG** T-One incorporates taillight converter.  
**RD** For vehicles equipped with factory tow package may require additional components or may be used as a replacement harness.

**RT3** Round Tube Class III 2"  
**RT4** Round Tube Class IV 2"  
**SQ2** Square Tube Class II  
**SQ3** Square Tube Class III  
**SQ4** Square Tube Class IV  
**SQ5** Square Tube Class V

**RECEIVER HITCH APPLICATIONS**

MODEL / STYLE		YEAR	TRAILER HITCHES									
			PC	REC TYPE	REC SIZE	PART NO.	NO DRILL	FOOTNOTES	OPTIONAL DRAWBAR	WC (LBS.)	WD (LBS.)	IN
<i>For vehicles prior to 2001,</i>												
<b>GMC (Continued)</b>												
Savana 1500	03	31	SQ2	1-1/4	36206	0	HM	36053	300/3,500		15	
		50	SQ3	2	37136		HM		500/5,000	600/6,000	30	
		20	SQ3	2	75189	0	HM		500/5,000	750/7,500	15	
		33	SQ4	2	41521	0	HM		600/6,000	1,000/10,000	15	
		42	SQ5	2	41946		@,HM		1,500/10,000	1,300/13,000	35	
Savana 1500	04-14	31	SQ2	1-1/4	36206	0	HM	36053	300/3,500		15	
		50	SQ3	2	37136		HM		500/5,000	600/6,000	30	
		20	SQ3	2	75189	0	HM		500/5,000	750/7,500	15	
		33	SQ4	2	41521	0	HM		600/6,000	1,000/10,000	15	
		42	SQ5	2	41946		@,HM		1,500/10,000	1,300/13,000	35	
Savana 2500	96-99	31	SQ2	1-1/4	36206	0	HM	36053	300/3,500		15	
		50	SQ3	2	37136		HM		500/5,000	600/6,000	30	
		20	SQ3	2	75189	0	HM		500/5,000	750/7,500	15	
		33	SQ4	2	41521	0	HM		600/6,000	1,000/10,000	15	
		42	SQ5	2	41946		@,HM		1,500/10,000	1,300/13,000	35	
		52	SQ5	2-1/2	45507	0	#,HM		1,200/12,000	1,700/14,000	45	
Savana 2500	00-02	31	SQ2	1-1/4	36206	0	HM	36053	300/3,500		15	
		50	SQ3	2	37136		HM		500/5,000	600/6,000	30	
		20	SQ3	2	75189	0	HM		500/5,000	750/7,500	15	
		33	SQ4	2	41521	0	HM		600/6,000	1,000/10,000	15	
		42	SQ5	2	41946		@,HM		1,500/10,000	1,300/13,000	35	
		52	SQ5	2-1/2	45507	0	#,HM		1,200/12,000	1,700/14,000	45	
Savana 2500	03	31	SQ2	1-1/4	36206	0	HM	36053	300/3,500		15	
		50	SQ3	2	37136		HM		500/5,000	600/6,000	30	
		20	SQ3	2	75189	0	HM		500/5,000	750/7,500	15	
		33	SQ4	2	41521	0	HM		600/6,000	1,000/10,000	15	
		42	SQ5	2	41946		@,HM		1,500/10,000	1,300/13,000	35	
		52	SQ5	2-1/2	45507	0	#,HM		1,200/12,000	1,700/14,000	45	
Savana 2500	04-20	31	SQ2	1-1/4	36206	0	HM	36053	300/3,500		15	
		50	SQ3	2	37136		HM		500/5,000	600/6,000	30	
		20	SQ3	2	75189	0	HM		500/5,000	750/7,500	15	
		33	SQ4	2	41521	0	HM		600/6,000	1,000/10,000	15	
		42	SQ5	2	41946		@,HM		1,500/10,000	1,300/13,000	35	
		52	SQ5	2-1/2	45507	0	#,HM		1,200/12,000	1,700/14,000	45	
Savana 2500	18-20					HM						
Savana 2500	21	31	SQ2	1-1/4	36206	0	HM	36053	300/3,500		15	
		50	SQ3	2	37136		HM		500/5,000	600/6,000	30	
		20	SQ3	2	75189	0	HM		500/5,000	750/7,500	15	
		33	SQ4	2	41521	0	HM		600/6,000	1,000/10,000	15	
		42	SQ5	2	41946		@,HM		1,500/10,000	1,300/13,000	35	
Savana 3500	96-99	31	SQ2	1-1/4	36206	0	HM	36053	300/3,500		15	
		50	SQ3	2	37136		HM		500/5,000	600/6,000	30	
		20	SQ3	2	75189	0	HM		500/5,000	750/7,500	15	
		33	SQ4	2	41521	0	HM		600/6,000	1,000/10,000	15	
		42	SQ5	2	41946		@,HM		1,500/10,000	1,300/13,000	35	
		52	SQ5	2-1/2	45507	0	#,HM		1,200/12,000	1,700/14,000	45	
Savana 3500	00-02	31	SQ2	1-1/4	36206	0	HM	36053	300/3,500		15	
		50	SQ3	2	37136		HM		500/5,000	600/6,000	30	
		20	SQ3	2	75189	0	HM		500/5,000	750/7,500	15	
		33	SQ4	2	41521	0	HM		600/6,000	1,000/10,000	15	
		42	SQ5	2	41946		@,HM		1,500/10,000	1,300/13,000	35	
		52	SQ5	2-1/2	45507	0	#,HM		1,200/12,000	1,700/14,000	45	

# Titan hitches require use of a 2-1/2" shank Titan ball mount.  
 @ Ultra Frame ball mount must be used to achieve maximum weight carrying rating.

HM Hitch cross tube is visible beneath bumper.

T-ONE						TOW HARNESS						4-FLAT WIRING				REQ. 4 FLAT WIRING		7-WAY HARDWARE	BRAKE CONTROL HARNESS	
PC	T-ONE	FN	IN	AMP	CP	PC	TOW HARN	FN	IN	AMP	CP	TYPE	ELEC	POS	CHOICE 1	CHOICE 2	6-WAY ADAPTER		7-WAY ADAPTER	IN
<b>GMC (Continued)</b>																				
E5	118392		20	7.5		E1	118240	RD	5	7.5		4-Flat	A	SUV3,4	119148	20252	20320	20321	20224	
E5	118392		20	7.5									A	SUV3,4	119148	20252	20320	20321	20224	
E10	118335	HG	10	2.15		E1	118240	RD	5	7.5		4-Flat	B	SUV3,4	119130	119178	20320	20321	20224	
E10	118377	HG	10	2.15		E1	118240	RD	5	7.5		4-Flat	B	SUV3,4	119130	119178	20320	20321	20224	
E5	118392		20	7.5		E1	118240	RD	5	7.5		4-Flat	A	SUV3,4	119148	20252	20320	20321	20224	
E5	118392		20	7.5									A	SUV3,4	119148	20252	20320	20321	20224	
E5	118392		20	7.5									A	SUV3,4	119148	20252	20320	20321	20224	
													A	SUV3,4	119148	20252	20320	20321	20224	
E10	118335	HG	10	2.15		E1	118240	RD	5	7.5		4-Flat	B	SUV3,4	119130	119178	20320	20321	20224	
E10	118377	HG	10	2.15		E1	118240	RD	5	7.5		4-Flat	B	SUV3,4	119130	119178	20320	20321	20224	

**A** 2 wire system.  
**B** 3 wire system. Converter required.

**HG** T-One incorporates taillight converter.  
**RD** For vehicles equipped with factory tow package may require additional components or may be used as a replacement harness.

**SQ2** Square Tube Class II  
**SQ3** Square Tube Class III  
**SQ4** Square Tube Class IV  
**SQ5** Square Tube Class V

# RECEIVER HITCH APPLICATIONS

RECEIVER HITCHES

MODEL / STYLE	YEAR	TRAILER HITCHES									
		PC	REC TYPE	REC SIZE	PART NO.	NO DRILL	FOOTNOTES	OPTIONAL DRAWBAR	WC (LBS.)	WD (LBS.)	IN
<i>For vehicles prior to 2001,</i>											
<b>GMC (Continued)</b>											
Savana 3500	03	31	SQ2	1-1/4	36206	0	HM	36053	300/3,500		15
		50	SQ3	2	37136		HM		500/5,000	600/6,000	30
		20	SQ3	2	75189	0	HM		500/5,000	750/7,500	15
		33	SQ4	2	41521	0	HM		600/6,000	1,000/10,000	15
		42	SQ5	2	41946		@,HM		1,500/10,000	1,300/13,000	35
		52	SQ5	2-1/2	45507	0	#,HM		1,200/12,000	1,700/14,000	45
Savana 3500	04-20	31	SQ2	1-1/4	36206	0	HM	36053	300/3,500		15
		50	SQ3	2	37136		HM		500/5,000	600/6,000	30
		20	SQ3	2	75189	0	HM		500/5,000	750/7,500	15
		33	SQ4	2	41521	0	HM		600/6,000	1,000/10,000	15
		42	SQ5	2	41946		@,HM		1,500/10,000	1,300/13,000	35
		52	SQ5	2-1/2	45507	0	#,HM		1,200/12,000	1,700/14,000	45
Savana 3500	18-20										
Savana 3500	21	31	SQ2	1-1/4	36206	0	HM	36053	300/3,500		15
		50	SQ3	2	37136		HM		500/5,000	600/6,000	30
		20	SQ3	2	75189	0	HM		500/5,000	750/7,500	15
		33	SQ4	2	41521	0	HM		600/6,000	1,000/10,000	15
		42	SQ5	2	41946		@,HM		1,500/10,000	1,300/13,000	35
Sierra Denali HD 6.6 ft. Bed, w/Factory 7-Way	11-13										
Sierra 1500	99-02	49	RT3	2	37133	0			500/5,000	750/7,500	25
		39	SQ4	2	41534	0			600/6,000	1,200/12,000	20
		54	RT4	2	37130	0			700/7,000	1,200/12,000	25
		30	RT4	2	75362	0	JL		900/6,000	900/8,000	15
		22	RT4	2	75521	0	JL,SZ		900/6,000	1,050/10,500	15
		50	SQ5	2	41932	0	@,HM,JL		1,200/12,000	1,400/14,000	20
Sierra 1500 w/Factory 7-Way	99-12										
Sierra 1500 (Classic)	03-07	49	RT3	2	37133	0			500/5,000	750/7,500	25
		39	SQ4	2	41534	0			600/6,000	1,200/12,000	20
		54	RT4	2	37130	0			700/7,000	1,200/12,000	25
		30	RT4	2	75362	0	JL		900/6,000	900/8,000	15
		22	RT4	2	75521	0	JL,SZ		900/6,000	1,050/10,500	15
		50	SQ5	2	41932	0	@,HM,JL		1,200/12,000	1,400/14,000	20
Sierra 1500	07-13	30	RT4	2	75362	0	JL		900/6,000	900/8,000	15
		22	RT4	2	75521	0	JL,SZ		900/6,000	1,050/10,500	15
Sierra 1500 LD (Old Body Style)	14-19	33	RT4	2	75866	0	HM,JL		900/6,000	1,200/12,000	20
		25	SQ4	2	76016	0	GP,JL		900/6,000	1,000/10,000	25
Sierra 1500	19-20					0	CP				60
		34	SQ3	2	76326	0	CP		900/6,000	1,000/10,000	60
Sierra 1500	21	34	SQ3	2	76326	0	CP		900/6,000	1,000/10,000	60
Sierra 1500 HD	01-02	49	RT3	2	37133	0			500/5,000	750/7,500	25
		39	SQ4	2	41534	0			600/6,000	1,200/12,000	20
		54	RT4	2	37130	0			700/7,000	1,200/12,000	25
		30	RT4	2	75362	0	JL		900/6,000	900/8,000	15
		22	RT4	2	75521	0	JL,SZ		900/6,000	1,050/10,500	15
		50	SQ5	2	41932	0	@,HM,JL		1,200/12,000	1,400/14,000	20
Sierra 1500 HD w/Factory 7-Way	01-07										

- # Titan hitches require use of a 2-1/2" shank Titan ball mount.
- @ Ultra Frame ball mount must be used to achieve maximum weight carrying rating.
- CP Fits all models without factory installed receiver.
- GP Hitch crosstube concealed behind bumper.

- HM Hitch crosstube is visible beneath bumper.
- JL Installation requires OEM bumper and brackets.
- SZ Hitches produced before 03/10/11 are rated at 600/6000 WC.

T-ONE						TOW HARNESS						4-FLAT WIRING				REQ. 4 FLAT WIRING		7-WAY HARDWIRE	BRAKE CONTROL HARNESS	IN	
PC	T-ONE	FN	IN	AMP	CP	PC	TOW HARN	FN	IN	AMP	CP	TYPE	ELEC	POS	CHOICE 1	CHOICE 2	6-WAY ADAPTER				7-WAY ADAPTER
<b>GMC (Continued)</b>																					
E5	118392		20	7.5		E1	118240	RD	5	7.5		4-Flat	A	SUV3,4	119148	20252	20320	20321	20224		
E5	118392		20	7.5									A	SUV3,4	119148	20252	20320	20321	20224		
E5	118392		20	7.5									A	SUV3,4	119148	20252	20320	20321	20224		
													A	SUV3,4	119148	20252	20320	20321	20224		
							74682 8551511 85219	RD RD RD	10 5			Both 7-Way 7-Way	A	PU3	119148	20252					
						E8	118384	BN,RD	5	7.5		4-Flat	A	PU3	119148	20252	20320	20321	20224	3025-P	5
							8551511 85219 74682	RD RD RD	5 10			7-Way 7-Way Both	H	PU3	119148	20252					
						E8	118384	BN,RD	5	7.5		4-Flat	A	PU3	119148	20252	20320	20321	20224	3015-P	5
E8	118384	BN	5	7.5									A	PU3	119148	20252	20320	20321	20224		
E8	118384		5	7.5									A	PU3	119148	20252	20320	20321	20224	3016-P	5
													A	PU3	119148	20252	20320	20321	20224	3064-P	10
													A	PU3	119148	20252	20320	20321	20224		
						E8	118384	BN,RD	5	7.5		4-Flat	A	PU3	119148	20252	20320	20321	20224	3025-P	5
							74682 8551511 85219	RD RD RD	10 5			Both 7-Way 7-Way	H	PU3	119148	20252					

**A** 2 wire system.  
**BN** Exterior mounted plug on some or all models. May require an aftermarket electrical mounting box or bracket. (Sold separately)  
**H** 3 wire system with OEM standard 2 wire harness.  
**RD** For vehicles equipped with factory tow package may require additional components or may be used as a replacement harness.

**RT3** Round Tube Class III 2"  
**RT4** Round Tube Class IV 2"  
**SQ2** Square Tube Class II  
**SQ3** Square Tube Class III  
**SQ4** Square Tube Class IV  
**SQ5** Square Tube Class V



**RECEIVER HITCH APPLICATIONS**

MODEL / STYLE		YEAR	TRAILER HITCHES									
			PC	REC TYPE	REC SIZE	PART NO.	NO DRILL	FOOTNOTES	OPTIONAL DRAWBAR	WC (LBS.)	WD (LBS.)	IN
<i>For vehicles prior to 2001,</i>												
<b>GMC (Continued)</b>												
Sierra 1500 HD	03	49	RT3	2	37133	0			500/5,000	750/7,500	25	
		39	SQ4	2	41534	0			600/6,000	1,200/12,000	20	
		54	RT4	2	37130	0			700/7,000	1,200/12,000	25	
		30	RT4	2	75362	0	JL		900/6,000	900/8,000	15	
		22	RT4	2	75521	0	JL,SZ		900/6,000	1,050/10,500	15	
		50	SQ5	2	41932	0	@,HM,JL		1,200/12,000	1,400/14,000	20	
Sierra 1500 HD (Classic)	05-07	49	RT3	2	37133	0			500/5,000	750/7,500	25	
		39	SQ4	2	41534	0			600/6,000	1,200/12,000	20	
		54	RT4	2	37130	0			700/7,000	1,200/12,000	25	
		30	RT4	2	75362	0	JL		900/6,000	900/8,000	15	
		22	RT4	2	75521	0	JL,SZ		900/6,000	1,050/10,500	15	
		50	SQ5	2	41932	0	@,HM,JL		1,200/12,000	1,400/14,000	20	
Sierra 2500	99-02	49	RT3	2	37133	0			500/5,000	750/7,500	25	
		39	SQ4	2	41534	0			600/6,000	1,200/12,000	20	
		54	RT4	2	37130	0			700/7,000	1,200/12,000	25	
		30	RT4	2	75362	0	JL		900/6,000	900/8,000	15	
		22	RT4	2	75521	0	JL,SZ		900/6,000	1,050/10,500	15	
		50	SQ5	2	41932	0	@,HM,JL		1,200/12,000	1,400/14,000	20	
Sierra 2500 w/Factory 7-Way	99-04	58	SQ5	2-1/2	45512†	0	†		1,200/12,000	1,700/14,000	20	
Sierra 2500	03-04	49	RT3	2	37133	0			500/5,000	750/7,500	25	
		39	SQ4	2	41534	0			600/6,000	1,200/12,000	20	
		54	RT4	2	37130	0			700/7,000	1,200/12,000	25	
		30	RT4	2	75362	0	JL		900/6,000	900/8,000	15	
		22	RT4	2	75521	0	JL,SZ		900/6,000	1,050/10,500	15	
		50	SQ5	2	41932	0	@,HM,JL		1,200/12,000	1,400/14,000	20	
Sierra 2500 HD	01-02	46	SQ4	2	41544	0	HM,SA		600/6,000	1,200/12,000	20	
		34	RT4	2	75550	0	CS,FS,JL,LT		600/6,000	1,100/11,000	20	
		37	SQ5	2	41944	0	@,CS,FS,HM,LT		1,950/13,000	1,600/16,000	25	
		58	SQ5	2-1/2	45517	0	#,CS,FS,LT		1,300/13,000	1,700/17,000	25	
Sierra 2500 HD 8 ft. Bed	01-02	60	SQ5	2-1/2	45519	0	#,CS,FS,LT		2,000/18,000	2,500/18,000	25	
Sierra 2500 HD w/Factory 7-Way	01-19											
Sierra 2500 HD (Classic)	03-07	46	SQ4	2	41544	0	HM,SA		600/6,000	1,200/12,000	20	
		34	RT4	2	75550	0	CS,FS,JL,LT		600/6,000	1,100/11,000	20	
		37	SQ5	2	41944	0	@,CS,FS,HM,LT		1,950/13,000	1,600/16,000	25	
		58	SQ5	2-1/2	45517	0	#,CS,FS,LT		1,300/13,000	1,700/17,000	25	
Sierra 2500 HD 8 ft. Bed	03-06	60	SQ5	2-1/2	45519	0	#,CS,FS,LT		2,000/18,000	2,500/18,000	25	
Sierra 2500 HD	07-10	34	RT4	2	75550	0	CS,FS,JL,LT		600/6,000	1,100/11,000	20	
		37	SQ5	2	41944	0	@,CS,FS,HM,LT		1,950/13,000	1,600/16,000	25	
		58	SQ5	2-1/2	45517	0	#,CS,FS,LT		1,300/13,000	1,700/17,000	25	
Sierra 2500 HD 8 ft. Bed	07-10	60	SQ5	2-1/2	45519	0	#,CS,FS,LT		2,000/18,000	2,500/18,000	25	
Sierra 2500 HD 8 ft. Bed (Classic)	07	60	SQ5	2-1/2	45519	0	#,CS,FS,LT		2,000/18,000	2,500/18,000	25	
Sierra 2500 HD	11-14	43	SQ4	2	75707	0	CS,FS,GP,JL,LT		800/8,000	1,200/12,000	20	
		50	SQ5	2	41942	0	@,CS,FS,GP,JL,KH,LT		1,500/15,000	1,600/16,000	20	
		67	SQ5	2-1/2	45510	0	#,CS,FS,HM,JL,KH,LT		2,000/18,000	2,500/18,000	60	
Sierra 2500 HD	15-19	42	SQ4	2	75906	0	HM,JL		1,200/8,000	1,200/12,000	30	
		53	SQ5	2	41950	0	@,CS,FS,GP,JL,KH,LT		1,700/15,000	1,700/17,000	60	
		57	SQ5	2-1/2	45511	0	#,HM		2,700/20,000	2,700/20,000	60	

#	Titan hitches require use of a 2-1/2" shank Titan ball mount.	HM	Hitch crosstube is visible beneath bumper.
@	Ultra Frame ball mount must be used to achieve maximum weight carrying rating.	JL	Installation requires OEM bumper and brackets.
†	Available while supply lasts.	KH	Minor heat shield modification may be required.
CS	Will fit with full-size spare tire stowed under vehicle.	LT	Requires removal of factory hitch if equipped.
FS	Includes 2 & 4 WD models with heavy duty suspension.	SA	Requires drilling on 6 ft. bed models.
GP	Hitch crosstube concealed behind bumper.	SZ	Hitches produced before 03/10/11 are rated at 600/6000 WC.

T-ONE					TOW HARNESS					4-FLAT WIRING				REQ. 4 FLAT WIRING		7-WAY HARDWIRE	BRAKE CONTROL HARNESS	IN			
PC	T-ONE	FN	IN	AMP	CP	PC	TOW HARN	FN	IN	AMP	CP	TYPE	ELEC	POS	CHOICE 1				CHOICE 2	6-WAY ADAPTER	7-WAY ADAPTER
<b>GMC (Continued)</b>																					
						E8	118384	BN,RD	5	7.5		4-Flat	A	PU3	119148	20252	20320	20321	20224	3015-P	5
						E8	118384	BN,RD	5	7.5		4-Flat	A	PU3	119148	20252	20320	20321	20224	3015-P	5
						E8	118384	BN,RD	5	7.5		4-Flat	A	PU3	119148	20252	20320	20321	20224	3025-P	5
							85219 8551511 74682	RD RD RD	5 10			7-Way 7-Way Both	H	PU3	119148	20252					
						E8	118384	BN,RD	5	7.5		4-Flat	A	PU3	119148	20252	20320	20321	20224	3015-P	5
						E8	118384	BN,RD	5	7.5		4-Flat	A	PU3	119148	20252	20320	20321	20224	3025-P	5
						E8	118384	BN,RD	5	7.5		4-Flat	A	PU3	119148	20252	20320	20321	20224	3025-P	5
							74682 8551511 85219	RD RD RD	10 5			Both 7-Way 7-Way	H	PU3	119148	20252				3016-P	5
						E8	118384	BN,RD	5	7.5		4-Flat	A	PU3	119148	20252	20320	20321	20224	3015-P	5
						E8	118384	BN,RD	5	7.5		4-Flat	A	PU3	119148	20252	20320	20321	20224	3015-P	5
E8	118384	BN	5	7.5									A	PU3	119148	20252	20320	20321	20224		
E8	118384	BN	5	7.5									A	PU3	119148	20252	20320	20321	20224		
E8	118384	BN	5	7.5		E8	118384	BN,RD	5	7.5		4-Flat	A	PU3	119148	20252	20320	20321	20224	3015-P	5
E8	118384	BN	5	7.5									A	PU3	119148	20252	20320	20321	20224		
													A	PU3	119148	20252	20320	20321	20224	3016-P	5

**A** 2 wire system.  
**BN** Exterior mounted plug on some or all models. May require an aftermarket electrical mounting box or bracket. (Sold separately)  
**H** 3 wire system with OEM standard 2 wire harness.  
**RD** For vehicles equipped with factory tow package may require additional components or may be used as a replacement harness.

**RT3** Round Tube Class III 2"  
**RT4** Round Tube Class IV 2"  
**SQ4** Square Tube Class IV  
**SQ5** Square Tube Class V

**RECEIVER HITCH APPLICATIONS**

MODEL / STYLE	YEAR	TRAILER HITCHES									
		PC	REC TYPE	REC SIZE	PART NO.	NO DRILL	FOOTNOTES	OPTIONAL DRAWBAR	WC (LBS.)	WD (LBS.)	IN
<i>For vehicles prior to 2001,</i>											
<b>GMC (Continued)</b>											
Sierra 2500 HD	20										
Sierra 2500 HD w/Factory 7-Way	20										
Sierra 3500	01-02	46	SQ4	2	41544	0	HM,SA		600/6,000	1,200/12,000	20
		34	RT4	2	75550	0	CS,FS,JL,LT		600/6,000	1,100/11,000	20
		37	SQ5	2	41944	0	@,CS,FS,HM,LT		1,950/13,000	1,600/16,000	25
		58	SQ5	2-1/2	45517	0	#,CS,FS,LT		1,300/13,000	1,700/17,000	25
		60	SQ5	2-1/2	45519	0	#,CS,FS,LT		2,000/18,000	2,500/18,000	25
Sierra 3500 Cab & Chassis, w/34" Wide Frames (Classic)	01-07	29	SQ5	2	41936		@		1,200/12,000		30
		50	SQ5	2	41938		@,CC		1,200/12,000	1,500/15,000	40
		55	SQ5	2	41947		@		1,600/15,000	1,600/16,000	35
Sierra 3500 w/Factory 7-Way	01-07										
Sierra 3500 (Classic)	03-07	34	RT4	2	75550	0	CS,FS,JL,LT		600/6,000	1,100/11,000	20
Sierra 3500 (Classic)	03-07	46	SQ4	2	41544	0	HM,SA		600/6,000	1,200/12,000	20
		37	SQ5	2	41944	0	@,CS,FS,HM,LT		1,950/13,000	1,600/16,000	25
		58	SQ5	2-1/2	45517	0	#,CS,FS,LT		1,300/13,000	1,700/17,000	25
		60	SQ5	2-1/2	45519	0	#,CS,FS,LT		2,000/18,000	2,500/18,000	25
Sierra 3500 HD	07-10	34	RT4	2	75550	0	CS,FS,JL,LT		600/6,000	1,100/11,000	20
		37	SQ5	2	41944	0	@,CS,FS,HM,LT		1,950/13,000	1,600/16,000	25
		58	SQ5	2-1/2	45517	0	#,CS,FS,LT		1,300/13,000	1,700/17,000	25
		60	SQ5	2-1/2	45519	0	#,CS,FS,LT		2,000/18,000	2,500/18,000	25
Sierra 3500 HD	07-19										
Sierra 3500 HD Cab & Chassis, w/34" Wide Frames	07-20	29	SQ5	2	41936		@		1,200/12,000		30
		50	SQ5	2	41938		@,CC		1,200/12,000	1,500/15,000	40
		55	SQ5	2	41947		@		1,600/15,000	1,600/16,000	35
Sierra 3500 HD	11-14	43	SQ4	2	75707	0	CS,FS,GP,JL,LT		800/8,000	1,200/12,000	20
		50	SQ5	2	41942	0	@,CS,FS,GP,JL,KH,LT		1,500/15,000	1,600/16,000	20
		67	SQ5	2-1/2	45510	0	#,CS,FS,HM,JL,KH,LT		2,000/18,000	2,500/18,000	60
Sierra 3500 HD	15-19	42	SQ4	2	75906	0	HM,JL		1,200/8,000	1,200/12,000	30
		53	SQ5	2	41950	0	@,CS,FS,GP,JL,KH,LT		1,700/15,000	1,700/17,000	60
		57	SQ5	2-1/2	45511	0	#,HM		2,700/20,000	2,700/20,000	60
Sierra 3500 HD	20										
Sonoma w/Sportside Bed & Non-Towing Bumper	96-97	30	SQ3	2	75085	0	GP		350/3,500	750/6,000	40
Sonoma	98-04	34	SQ2	1-1/4	36248	0	GU,RH,GP	36071	300/3,500		35
		30	SQ3	2	75085	0	GP		350/3,500	750/6,000	40
		50	SQ3	2	37136	0	AF,CN,GU,ST		500/5,000	600/6,000	40
Suburban C1500	92-99	50	SQ3	2	37136				500/5,000	600/6,000	30
		35	SQ3	2	75037		HM		500/5,000	750/7,500	30
		41	SQ4	2	41511		HM		600/6,000	1,000/10,000	30
Suburban C2500	92-99	50	SQ3	2	37136				500/5,000	600/6,000	30
		35	SQ3	2	75037		HM		500/5,000	750/7,500	30
		41	SQ4	2	41511		HM		600/6,000	1,000/10,000	30
Suburban K1500	92-99	50	SQ3	2	37136				500/5,000	600/6,000	30
		35	SQ3	2	75037		HM		500/5,000	750/7,500	30
		41	SQ4	2	41511		HM		600/6,000	1,000/10,000	30

- |    |   |    |  |
|----|---|----|--|
| #  | Titan hitches require use of a 2-1/2" shank Titan ball mount.   | GU | Will not fit vehicles with factory or aftermarket lower Fascia/Rollpan or Tube Bumper.             |
| @  | Ultra Frame ball mount must be used to achieve maximum weight carrying rating.  | HM | Hitch cross-tube is visible beneath bumper.  |
| AF | Hitch is ONLY rated for Weight Carrying at 3500 lbs. GTW / 350 lbs. TW and DO NOT use Weight Distribution Spring Bars for this Specific Vehicle. Except for long bed pickups. | JL | Installation requires OEM bumper and brackets.   |
| CC | Requires minimum of 19 in. from end of frame rail to spring shackle bracket.  | KH | Minor heat shield modification may be required.  |
| CN | Requires OEM factory bumper for hitch installation.   | LT | Requires removal of factory hitch if equipped.   |
| CS | Will fit with full-size spare tire stowed under vehicle.  | RH | Optional drawbar #36051 required (Sold separately) except for models with ZR2 & Highrider package. |
| FS | Includes 2 & 4 WD models with heavy duty suspension.  | SA | Requires drilling on 6 ft. bed models.   |
| GP | Hitch cross-tube concealed behind bumper.   | ST | Will not fit 2WD models with short bed.  |

T-ONE						TOW HARNESS						4-FLAT WIRING				REQ. 4 FLAT WIRING		7-WAY HARDWIRE	BRAKE CONTROL HARNESS	IN
PC	T-ONE	FN	IN	AMP	CP	PC	TOW HARN	FN	IN	AMP	CP	TYPE	ELEC	POS	CHOICE 1	CHOICE 2	6-WAY ADAPTER			
<b>GMC (Continued)</b>																				
E8	118384	BN,RD	5	7.5									H	PU3	119148	20252				
							85219	RD	5			7-Way	H	PU3	119148	20252				3064-P
							74682	RD	10			Both								3064-P
							8551511	RD				7-Way								
						E8	118384	BN,RD	5	7.5		4-Flat	A	PU3	119148	20252	20320	20321	20224	3025-P
													C	PU1,2	119191	119148	20320	20321	20224	
							85219	RD	5			7-Way	H	PU3	119148	20252				
							8551511	RD				7-Way								
							74682	RD	10			Both								
						E8	118384	BN,RD	5	7.5		4-Flat	A	PU3	119148	20252	20320	20321	20224	3015-P
						E8	118384	BN,RD	5	7.5		4-Flat	A	PU3	119148	20252	20320	20321	20224	3015-P
E8	118384	BN	5	7.5									A	PU3	119148	20252	20320	20321	20224	
E8	118384	BN,RD	5	7.5			74682	RD	10			Both	A	PU3	119148	20252				3016-P
							8551511	RD				7-Way								
							85219	RD	5			7-Way								
								RD				Both								
								RD	5				C	PU1,2	20250	119148	20320	20321	20224	
E8	118384	BN	5	7.5									A	PU3	119148	20252	20320	20321	20224	
E8	118384	BN	5	7.5									A	PU3	119148	20252	20320	20321	20224	3016-P
E8	118384	BN,RD	5	7.5			85219	RD	5			7-Way	A	PU3	119148	20252				3064-P
							8551511	RD				7-Way								
							74682	RD	10			Both								
E3	118312	BN	5	7.5									A	PU3	119148	20252	20320	20321	20224	
E4	118359	BN	5	7.5									A	PU3	119148	20252	20320	20321	20224	
E4	118319	BN	5	7.5									A	SUV6	119148	20252	20320	20321	20224	
E4	118319	BN	5	7.5									A	SUV6	119148	20252	20320	20321	20224	
E4	118319	BN	5	7.5									A	SUV6	119148	20252	20320	20321	20224	

**A** 2 wire system.

**BN** Exterior mounted plug on some or all models. May require an aftermarket electrical mounting box or bracket. (Sold separately)

**C** 2 or 3 wire system determine at installation.

**H** 3 wire system with OEM standard 2 wire harness.

**RD** For vehicles equipped with factory tow package may require additional components or may be used as a replacement harness.

**RT4** Round Tube Class IV 2"

**SQ2** Square Tube Class II

**SQ3** Square Tube Class III

**SQ4** Square Tube Class IV

**SQ5** Square Tube Class V

**RECEIVER HITCH APPLICATIONS**

MODEL / STYLE	YEAR	TRAILER HITCHES										
		PC	REC TYPE	REC SIZE	PART NO.	NO DRILL	FOOTNOTES	OPTIONAL DRAWBAR	WC (LBS.)	WD (LBS.)	IN	
<i>For vehicles prior to 2001,</i>												
<b>GMC (Continued)</b>												
Suburban K2500	92-99	50	SQ3	2	37136				500/5,000	600/6,000	30	
		35	SQ3	2	75037		HM		500/5,000	750/7,500	30	
		41	SQ4	2	41511		HM		600/6,000	1,000/10,000	30	
Terrain	10-17	18	SQ2	1-1/4	36408	0	HM	36051	300/3,500		25	
		14	RT3	2	76028	0	HM		675/4,500	675/4,500	30	
Terrain	18-17	18	SQ2	1-1/4	36408	0	HM	36051	300/3,500		25	
		14	RT3	2	76028	0	HM		675/4,500	675/4,500	30	
Terrain Diesel	18-20	28	SQ3	2	76217	0	AI,DU,JR,TZ,X		675/4,500	675/4,500	70	
Terrain Except Diesel	18-20	22	SQ2	1-1/4	36642	0	JR,GP	36051	350/3,500		35	
		23	SQ3	2	76419	0	JR		675/4,500	675/4,500	35	
Terrain Except Diesel	21	22	SQ2	1-1/4	36642	0	JR,GP	36051	350/3,500		35	
		23	SQ3	2	76419	0	JR		675/4,500	675/4,500	35	
Yukon	92-00	50	SQ3	2	37136				500/5,000	600/6,000	30	
		35	SQ3	2	75037		HM		500/5,000	750/7,500	30	
		41	SQ4	2	41511		HM		600/6,000	1,000/10,000	30	
Yukon w/Amber Turn Signals	00-02	50	SQ3	2	37136				500/5,000	600/6,000	30	
		29	RT4	2	75725	0	CN,HM		900/6,000	1,000/10,000	15	
Yukon w/Factory 7-Way	00-11											
Yukon w/Amber Turn Signals	03-06	50	SQ3	2	37136				500/5,000	600/6,000	30	
		29	RT4	2	75725	0	CN,HM		900/6,000	1,000/10,000	15	
Yukon	07-11											
Yukon	15-16											
Yukon Denali	99-00	50	SQ3	2	37136				500/5,000	600/6,000	30	
		35	SQ3	2	75037		HM		500/5,000	750/7,500	30	
		41	SQ4	2	41511		HM		600/6,000	1,000/10,000	30	
Yukon Denali w/Amber Turn Signals	01-02	50	SQ3	2	37136				500/5,000	600/6,000	30	
		29	RT4	2	75725	0	CN,HM		900/6,000	1,000/10,000	15	
Yukon Denali w/Factory 7-Way	01-11											
Yukon Denali	03-06											
Yukon XL w/Factory 7-Way	00-11											
Yukon XL	07-11											
Yukon XL 1500	00-02	50	SQ3	2	37136				500/5,000	600/6,000	30	
		29	RT4	2	75725	0	CN,HM		900/6,000	1,000/10,000	15	
		30	SQ5	2	41930		@,CN,HM		1,000/10,000	1,200/12,000	35	
Yukon XL 1500	03-06	50	SQ3	2	37136				500/5,000	600/6,000	30	
		29	RT4	2	75725	0	CN,HM		900/6,000	1,000/10,000	15	
		30	SQ5	2	41930		@,CN,HM		1,000/10,000	1,200/12,000	35	
Yukon XL 1500 Denali	01-02	50	SQ3	2	37136				500/5,000	600/6,000	30	
		29	RT4	2	75725	0	CN,HM		900/6,000	1,000/10,000	15	
		30	SQ5	2	41930		@,CN,HM		1,000/10,000	1,200/12,000	35	
Yukon XL 1500 Denali w/Factory 7-Way	01-11											
Yukon XL 1500 Denali	07-11											

<p>@ Ultra Frame ball mount must be used to achieve maximum weight carrying rating.</p> <p>AI Additional installation time may be required.</p> <p>CN Requires OEM factory bumper for hitch installation.</p> <p>DU Fascia removal required.</p> <p>GP Hitch crosstube concealed behind bumper.</p>	<p>HM Hitch crosstube is visible beneath bumper.</p> <p>JR Exhaust must be temporarily lowered for installation.</p> <p>TZ Requires replacement of the impact structure with hitch.</p> <p>X Minor fascia trimming required.</p>
---	--

T-ONE						TOW HARNESS						4-FLAT WIRING				REQ. 4 FLAT WIRING		7-WAY HARDWARE	BRAKE CONTROL HARNESS	IN		
PC	T-ONE	FN	IN	AMP	CP	PC	TOW HARN	FN	IN	AMP	CP	TYPE	ELEC	POS	CHOICE 1	CHOICE 2	6-WAY ADAPTER				7-WAY ADAPTER	
<b>GMC (Continued)</b>																						
E4	118319	BN	5	7.5									A	SUV6	119148	20252	20320	20321	20224			
E16	118494	CH	45	2.1,5.6	X	E1	118264	RD	15	7.5		4-Flat	N	SUV1,2		119251	20320	20321				
		CH						RD					N	SUV1,2								
E17	118764	BN,CH	45	5.7,5	X	E6	118285	BN,CH	15	7.5		4-Flat	BT	SUV1,2								
E17	118764	BN,CH	45	5.7,5	X	E6	118285	BN,CH	15	7.5		4-Flat	BTT	SUV1,2								
E17	118764	BN,CH	45	5.7,5	X								BTT	SUV1,2								
E4	118319	BN	5	7.5									A	SUV6	119148	20252	20320	20321	20224			
E8	118384	BN	5	7.5									A	SUV6	119148	20252	20320	20321	20224	3025-P	5	
							74682 8551511 85219	RD RD RD	10 5			Both 7-Way 7-Way	H	SUV6	119148	20252						
E8	118384	BN	5	7.5									A	SUV6	119148	20252	20320	20321	20224	3015-P	5	
						E8	118384	BN,RD	5	7.5		4-Flat	H	SUV6	119148	20252						
E8	118384	BN	5	7.5																3016-P	5	
E4	118319	BN	5	7.5									A	SUV6	119148	20252	20320	20321	20224			
E8	118384	BN	5	7.5									A	SUV6	119148	20252	20320	20321	20224	3025-P	5	
							74682 8551511 85219	RD RD RD	10 5			Both 7-Way 7-Way	H	SUV6	119148	20252						
						E8	118384	BN,RD	5	7.5		4-Flat	H	SUV6	119148	20252					3015-P	5
							74682 8551511 85219	RD RD RD	10 5			Both 7-Way 7-Way	H	SUV6	119148	20252						
						E8	118384	BN,RD	5	7.5		4-Flat	H	SUV6	119148	20252						
E8	118384	BN	5	7.5									A	SUV6	119148	20252	20320	20321	20224	3025-P	5	
E8	118384	BN	5	7.5									A	SUV6	119148	20252	20320	20321	20224	3015-P	5	
E8	118384	BN	5	7.5									A	SUV6	119148	20252	20320	20321	20224	3025-P	5	
							74682 8551511 85219	RD RD RD	10 5			Both 7-Way 7-Way	H	SUV6	119148	20252						
						E8	118384	BN,RD	5	7.5		4-Flat	H	SUV6	119148	20252						

**A** 2 wire system.

**BN** Exterior mounted plug on some or all models. May require an aftermarket electrical mounting box or bracket. (Sold separately)

**BTT** Shared Brake/Tail/Turn multiplexed wiring system. ModuLite® HD Plus or Ultra required.

**CH** T-One is equipped with circuit protected ModuLite® module.

**H** 3 wire system with OEM standard 2 wire harness.

**N** DO NOT cut or splice vehicle wiring. Only use approved T-One or see auto dealer for trailer tow wiring kit.

**RD** For vehicles equipped with factory tow package may require additional components or may be used as a replacement harness.

**RT3** Round Tube Class III 2"

**RT4** Round Tube Class IV 2"

**SQ2** Square Tube Class II

**SQ3** Square Tube Class III

**SQ4** Square Tube Class IV

**SQ5** Square Tube Class V

**RECEIVER HITCH APPLICATIONS**

MODEL / STYLE	YEAR	TRAILER HITCHES									
		PC	REC TYPE	REC SIZE	PART NO.	NO DRILL	FOOTNOTES	OPTIONAL DRAWBAR	WC (LBS.)	WD (LBS.)	IN
<i>For vehicles prior to 2001,</i>											
<b>GMC (Continued)</b>											
Yukon XL 2500	00-02	50	SQ3	2	37136	0	CN, HM		500/5,000	600/6,000	30
		29	RT4	2	75725	0	@, CN, HM		900/6,000	1,000/10,000	15
		30	SQ5	2	41930		#		1,000/10,000	1,200/12,000	35
		53	SQ5	2-1/2	45515		#		1,200/12,000	1,700/14,000	50
Yukon XL 2500	03-06	50	SQ3	2	37136	0	CN, HM		500/5,000	600/6,000	30
		29	RT4	2	75725	0	@, CN, HM		900/6,000	1,000/10,000	15
		30	SQ5	2	41930		#		1,000/10,000	1,200/12,000	35
		53	SQ5	2-1/2	45515		#		1,200/12,000	1,700/14,000	50
<b>HONDA</b>											
Accord	94-97	45	SQ1	1-1/4	24616	0	HM	3593	200/2,000		30
Accord Sedan	98-02	18	SQ1	1-1/4	24791	0	JR, HM	3592	200/2,000		15
Accord Coupe	03-05	31	SQ1	1-1/4	24787	0	HR, JR, HM	3592	200/2,000		25
Accord Sedan	03-05	31	SQ1	1-1/4	24787	0	HR, JR, HM	3592	200/2,000		25
Accord Coupe	06-07	31	SQ1	1-1/4	24787	0	HR, JR, HM	3592	200/2,000		25
Accord Sedan	06-07	31	SQ1	1-1/4	24787	0	HR, JR, HM	3592	200/2,000		25
Accord Coupe	08-12	19	SQ1	1-1/4	24899	0	HM, JR, KH	3593	200/2,000		30
Accord Sedan	08-12	19	SQ1	1-1/4	24899	0	HM, JR, KH	3593	200/2,000		30
Accord Coupe, Except w/LED Taillights	13-17	19	SQ1	1-1/4	24899	0	HM, JR, KH	3593	200/2,000		30
Accord Coupe, w/LED Taillights	13-15	19	SQ1	1-1/4	24899	0	HM, JR, KH, SV	3593	200/2,000		45
Accord Sedan, Except w/LED Taillights	13-15	19	SQ1	1-1/4	24899	0	HM, JR, KH, SV	3593	200/2,000		45
Accord Sedan, w/LED Taillights	13-15	19	SQ1	1-1/4	24899	0	HM, JR, KH, SV	3593	200/2,000		45
Accord Coupe	16-17	19	SQ1	1-1/4	24899	0	HM, JR, KH	3593	200/2,000		45
Accord Sedan	16-17	19	SQ1	1-1/4	24899	0	HM, JR, KH, SV	3593	200/2,000		30
Accord	18-20	19	SQ1	1-1/4	24972	0	GP, AA, DU, TA	3593	200/2,000		60
Accord Crosstour	10-11	31	SQ1	1-1/4	24852	0	HM, JR, KH	3590	200/2,000		40
Civic	92-98	29	SQ1	1-1/4	24677	0	EP, HM	3593	200/2,000		15
Civic 3 Dr. Hatchback	96-00	11	SQ1	1-1/4	24822		X, GP	3590	200/2,000		20
Civic	99-00	29	SQ1	1-1/4	24677	0	HM	3593	200/2,000		15
Civic	01-05	31	SQ1	1-1/4	24706		HM	3593	200/2,000		15
Civic Si	02-05	20	SQ1	1-1/4	24719		TA, GP	3593	200/2,000		30
Civic 2 Dr. Coupe, Except Si	06-15	27	SQ1	1-1/4	24763	0	HM, JR	3593	200/2,000		30
Civic 4 Dr. Sedan, Except Hybrid & Si	06-15	27	SQ1	1-1/4	24763	0	HM, JR	3593	200/2,000		30
Civic Hybrid	06-11	27	SQ1	1-1/4	24763	0	HM, JR	3593	200/2,000		30
Civic Si, 2 Dr. Coupe	06-11	27	SQ1	1-1/4	24763	0	HM, JR	3593	200/2,000		30
Civic Si, 4 Dr. Sedan	06-11	27	SQ1	1-1/4	24763	0	HM, JR	3593	200/2,000		30
Civic Hybrid	12-15	27	SQ1	1-1/4	24763		HM, JR, KH, SV	3593	200/2,000		35
Civic Coupe	16	24	SQ1		24946†		†, EP, GP, AA, DU	3593	200/2,000		65
Civic Coupe, Except Models w/Center Exhaust	16	24	SQ1	1-1/4	24954		DU, X, GP, TA	3593	200/2,000		65
Civic Hatchback, Except Models w/Center Exhaust	16-20	24	SQ1	1-1/4	24954		DU, X, GP, TA	3593	200/2,000		65
Civic Sedan	16	24	SQ1		24946†		†, EP, GP, AA, DU	3593	200/2,000		65
		24	SQ1	1-1/4	24937†	0	†, EP, GP, AA, DU	3593	200/2,000		65
Civic Sedan, Except Models w/Center Exhaust	16-20	24	SQ1	1-1/4	24954		DU, X, GP, TA	3593	200/2,000		65
Civic Coupe, Except Models w/Center Exhaust	17-20	24	SQ1	1-1/4	24954		DU, X, GP, TA	3593	200/2,000		65
Crosstour	12	31	SQ1	1-1/4	24852	0	HM, JR, KH	3590	200/2,000		40
Crosstour	13-15	31	SQ1	1-1/4	24852	0	HM, JR, KH	3590	200/2,000		40
CR-V	97-01	18	SQ1	1-1/4	24790	0	RC, GP	3591	200/2,000		20
CR-V	02-06	27	SQ1	1-1/4	24772	0	BY, JR, HM	3593	200/2,000		20
		33	SQ3	2	75690	0	BY, HM, JR		350/3,500		30
CR-V	07-11	12	SQ1	1-1/4	24792	0	JR, HM	3592	200/2,000		20
		34	RT3	2	75547	0	HM, JR, TJ		675/4,500		25
CR-V	12-16	16	RT2	1-1/4	36520	0	HM, JR, SV	36051	300/3,500		40
		16	RT3	2	75742	0	HM, JR, SV		675/4,500		40

# Titan hitches require use of a 2-1/2" shank Titan ball mount.  
 @ Ultra Frame ball mount must be used to achieve maximum weight carrying rating.  
 † Available while supply lasts.  
 AA Requires temporary removal of bumper during installation.  
 BY Minor repositioning of muffler required.  
 CN Requires OEM factory bumper for hitch installation.  
 DU Fascia removal required.  
 EP Fascia trimming may be required.  
 GP Hitch crosstube concealed behind bumper.

HM Hitch crosstube is visible beneath bumper.  
 HR Requires drilling of heat shields on V6 models.  
 JR Exhaust must be temporarily lowered for installation.  
 KH Minor heat shield modification may be required.  
 RC Will not fit with rear sport bars.  
 SV Trimming or removal of under body appearance panel may be required.  
 TA Trunk access required for hitch installation.  
 TJ Hitches produced before 07/13/11 are rated at 350/3500 WC.  
 X Minor fascia trimming required.

T-ONE						TOW HARNESS					4-FLAT WIRING				REQ. 4 FLAT WIRING		7-WAY HARDWIRE	BRAKE CONTROL HARNESS	IN		
PC	T-ONE	FN	IN	AMP	CP	PC	TOW HARN	FN	IN	AMP	CP	TYPE	ELEC	POS	CHOICE 1	CHOICE 2				6-WAY ADAPTER	7-WAY ADAPTER
<b>GMC (Continued)</b>																					
E8	118384	BN	5	7.5									A	SUV6	119148	20252	20320	20321	20224	3025-P	5
E8	118384	BN	5	7.5									A	SUV6	119148	20252	20320	20321	20224	3015-P	5
<b>HONDA</b>																					
E5	118336	HG	5	2.1,5									B,E	PC3	119191	119148					
E5	118336	HG	5	2.1,5									B	PC3	119130	119178					
E11	118441	CG	10	2.1,5	X								B	PC3	119130	119178					
E11	118302	HG	10	2.1,4,2									B	PC3	119130	119178					
E10	118436	HG	10	2.1,4,2									N	PC3		119251					
E11	118302	HG	10	2.1,4,2									B,E	PC3	119191	119148					
E14	118420	CG	15	2.1,5	X								B	PC3,4	119130	119178					
E14	118420	CG	15	2.1,5	X								B,E	PC3,4	119191	119148					
E16	118596	CH	45	2.1,5,6	X								B,E	PC3,4	119191	119148					
E15	118586	CH	45	2.1,5,6	X								B,E	PC3,4	119191	119148					
E16	118596	CH	45	2.1,5,6	X								B,E	PC3,4	119191	119148					
E15	118586	CH	45	2.1,5,6	X								B,E	PC3,4	119191	119148					
E17	118695	CH	45	4,2,7,5	X								B,E	PC3,4	119191	119148					
E16	118684	CH	45	4,2,7,5	X								B,E	PC3,4	119191	119148					
E15	118776	CH	45	5,7,5	X								B,E	PC1,2	119191	119148					
E11	118500	CH	15	2.1,5,6	X								B,E	SUV3	119191	119148	20320	20321			
													B,E	PC3,4	119191	119148					
													B	PC3,4	119130	119178					
													B,E	PC3,4	119191	119148					
													B,E	PC3,4	119191	119148					
													B	PC3,4	119130	119178					
E12	118437	CG	10	2.1,5	X								B	PC3,4	119130	119178					
E14	118420	CG	15	2.1,5	X								B	PC3,4	119130	119178					
													B	PC3,4	119130	119178					
													B	PC3,4	119130	119178					
													B,E	PC3,4	119191	119148					
E19	118724	CH	45	5,7,5	X								B,E	PC3,4	119191	119148					
E19	118724	CH	45	5,7,5	X								B,E	PC3,4	119191	119148					
													B,E	PC1,2	119191	119148					
E19	118686	CH	45	5,7,5	X								B,E	PC3,4	119191	119148					
E19	118686	CH	45	5,7,5	X								B,E	PC1,2	119191	119148					
													B,E	PC3,4	119191	119148					
E11	118500	CH	15	2.1,5,6	X								B,E	SUV3	119191	119148	20320	20321			
E11	118642	CH	15	2.1,5,6	X								B,E	SUV3	119191	119148	20320	20321			
E5	118336	HG	5	2.1,5									B	SUV3	119130	119178					
E5	118336	HG	5	2.1,5									B	SUV3	119130	119178	20320	20321	20224		
E8	118427	CG	45	2.1,5	X								B	SUV3	119130	119178	20320	20321	20224		
E17	118561	CH	45	2.1,5	X								B,E	SUV1,2	119191	119148	20320	20321	20224		

**A** 2 wire system.  
**B** 3 wire system. Converter required.  
**BN** Exterior mounted plug on some or all models. May require an aftermarket electrical mounting box or bracket. (Sold separately)  
**CG** T-One incorporates circuit protected taillight converter.

**CH** T-One is equipped with circuit protected ModuLite® module.  
**E** ModuLite® required.  
**HG** T-One incorporates taillight converter.  
**N** DO NOT cut or splice vehicle wiring. Only use approved T-One or see auto dealer for trailer tow wiring kit.

**RT2** Round Tube Class II 1-1/4"  
**RT3** Round Tube Class III 2"  
**RT4** Round Tube Class IV 2"  
**SQ1** Square Tube Class I  
**SQ3** Square Tube Class III  
**SQ5** Square Tube Class V



# RECEIVER HITCH APPLICATIONS

RECEIVER HITCHES

H - HONDA

MODEL / STYLE	YEAR	TRAILER HITCHES									
		PC	REC TYPE	REC SIZE	PART NO.	NO DRILL	FOOTNOTES	OPTIONAL DRAWBAR	WC (LBS.)	WD (LBS.)	IN
<i>For vehicles prior to 2001,</i>											
<b>HONDA (Continued)</b>											
CR-V Except Hybrid	17-20	16	RT2	1-1/4	36597	0	HM,JR,TW	36051	350/3,500		20
		16	RT3	2	76128	0	HM,JR,TW		675/4,500		20
CR-Z	11-12										
Element	03-04	19	SQ1	1-1/4	24720		GP	3592	200/2,000		25
		40	RT3	2	75659	0			350/3,500		30
Element Except SC	05-06	19	SQ1	1-1/4	24720		GP	3592	200/2,000		25
		40	RT3	2	75659	0			350/3,500		30
Element SC	05-06	40	RT3	2	75659	0	EP		350/3,500		35
Element Except SC	07-08	19	SQ1	1-1/4	24720		GP	3592	200/2,000		25
		40	RT3	2	75659	0			350/3,500		30
Element SC	07-10	40	RT3	2	75659	0	EP		350/3,500		35
Element Except SC	09-11	19	SQ1	1-1/4	24720		GP	3592	200/2,000		25
		40	RT3	2	75659	0			350/3,500		30
Fit	07-08	18	SQ1	1-1/4	24776	0	HM	3593	200/2,000		25
Fit	09-13	21	SQ1	1-1/4	24826	0	HM	3593	200/2,000		25
Fit	14						CH,BN				
Fit	15-20	16	RT1	1-1/4	24920	0	HM,JR	3593	200/2,000		25
HR-V	16-20	18	RT1	1-1/4	24932	0	GP,JR,SV	3593	200/2,000		35
Odyssey	95-98	35	SQ2	1-1/4	36204†		HM,JR	36051	300/3,500		30
Odyssey	99-04	32	SQ2	1-1/4	36417	0	HM,JR	36071	300/3,500		20
		21	RT3	2	75270	0	HM,JR		675/4,500	675/5,000	15
Odyssey	05-10	32	SQ2	1-1/4	36417	0	HM,JR	36071	300/3,500		20
		21	RT3	2	75270	0	HM,JR		675/4,500	675/5,000	15
Odyssey	11-17	32	SQ2	1-1/4	36417	0	HM,JR	36071	300/3,500		20
		31	SQ3	2	76025	0	GP,X,DU		525/3,500		80
		21	RT3	2	75270	0	HM,JR		675/4,500	675/5,000	15
Odyssey With Fuse Provisions	18-21	26	RT2	1-1/4	36633	0	GP,DU,X,TA,TW	36071	350/3,500		80
		32	SQ4	2	76170	0	GP,DU,X,TA,TW		525/3,500		80
		27	RT3	2	76171	0	GP,DU,X,TA,TW		675/4,500	675/5,000	25
Odyssey Without Fuse Provisions	18-21	26	RT2	1-1/4	36633	0	HM,JR,SV,TW	36071	350/3,500		25
		32	SQ4	2	76170	0	GP,DU,X,TA,TW		525/3,500		80
		27	RT3	2	76171	0	HM,JR,SV,TW		675/4,500	675/5,000	25
Passport	94-97	37	SQ3	2	75049	0	GP		500/5,000		40
Passport w/Door Mounted Spare	98-01	28	SQ2	1-1/4	36247†	0	†,GP	36053	300/3,500		15
		32	SQ3	2	75092	0			350/3,500	500/5,000	15
Passport w/Under Vehicle Spare	98-02	30	RT3	2	75093	0			350/3,500	500/5,000	15
Passport	19-20	41	SQ3	2	76290	0	GP		900/6,000	900/8,000	20
Passport	21	41	SQ3	2	76290	0	GP		900/6,000	900/8,000	20
Pilot	03-08	31	SQ3	2	75599	0	CS,GP,JR		350/3,500	500/5,000	30
Pilot	12-15										
Pilot	16-17	37	SQ4	2	75225	0	TA,GP		900/6,000	900/8,000	20
Pilot	18-20	37	SQ4	2	75225	0	TA,GP		900/6,000	900/8,000	20
Pilot	21	37	SQ4	2	75225	0	TA,GP		900/6,000	900/8,000	20
Ridgeline	06-14	40	RT3	2	75280	0	HM,JR,TK		750/5,000	750/7,500	20
Ridgeline	17-20										
<b>HUMMER</b>											
H2 w/Factory 7-Way	03-09										
H3	06-10	43	SQ3	2	75382	0			500/5,000	500/5,000	25

- † Available while supply lasts.
- BN Exterior mounted plug on some or all models. May require an aftermarket electrical mounting box or bracket. (Sold separately)
- CH T-One is equipped with circuit protected ModuLite® module.
- CS Will fit with full-size spare tire stowed under vehicle.
- DU Fascia removal required.
- EP Fascia trimming may be required.
- GP Hitch crosstube concealed behind bumper.

- HM Hitch crosstube is visible beneath bumper.
- JR Exhaust must be temporarily lowered for installation.
- SV Trimming or removal of under body appearance panel may be required.
- TA Trunk access required for hitch installation.
- TK Hitches produced before 09/09/11 are rated at 500/5000 WC & 600/6000 WD.
- TW Receiver hitch may limit hands-free liftgate sensor range
- X Minor fascia trimming required.

T-ONE						TOW HARNESS					4-FLAT WIRING				REQ. 4 FLAT WIRING		7-WAY HARDWIRE	BRAKE CONTROL HARNESS	IN				
PC	T-ONE	FN	IN	AMP	CP	PC	TOW HARN	FN	IN	AMP	CP	TYPE	ELEC	POS	CHOICE 1	CHOICE 2				6-WAY ADAPTER	7-WAY ADAPTER		
<b>HONDA (Continued)</b>																							
E11	118741	CH	30	5/7.5	X								B,E	SUV3	119191	119148	20320	20321	20224				
E17	118533	CH	45	2.1,5.6	X								B,E	PC3,4	119191	119148							
E5	118336	HG	5	2.1,5									B	SUV2	119130	119178	20320	20321	20224				
													B,E	SUV3,4	119191	119148	20320	20321	20224				
													B,E	SUV3,4	119191	119148	20320	20321	20224				
E14	118465	CH	45	2.1,5.6	X								B,E	SUV3,4	119191	119148	20320	20321	20224				
E14	118465	CH	45	2.1,5.6	X								B,E	SUV3,4	119191	119148	20320	20321	20224				
E14	118420	CG	15	2.1,5	X								B	PC3,4	119130	119178							
E14	118420	CG	15	2.1,5	X								B	PC3,4	119130	119178							
E23	118767		45	5,7.5	X								B,E	PC3,4	119130	119178							
E23	118767	CH,BN	45	5,7.5	X								B,E	PC3,4	119130	119178							
E14	118673	CH	45	4.2,7.5	X								B,E	SUV3,4	119191	119148							
E5	118336	HG	5	2.1,5									B	SUV3	119130	119178							
E5	118336	HG	5	2.1,5									B	SUV3	119130	119178	20320	20321	20224				
E12	118438	CH	20	2.1,4.2	X								B	SUV3,4	119130	119178	20320	20321	20224				
E17	118521	CH	30	4.2,7.5	X								B,E	SUV1,2	119191	119148	20320	20321	20224				
E11	118781	CH	45	5,7.5	X								B,E	SUV3	119191	119148	20320	20321	20224				
E13	118753	CH	45	5,7.5	X								B,E	SUV3	119191	119148	20320	20321	20224				
E7	118331	BN,HG	5	2.1,5									B	SUV1,2	119130	119178	20320	20321	20224				
E17	118360	BN,HG	15	2.1,5									B	SUV1,2	119130	119178	20320	20321	20224				
E17	118360	BN,HG	15	2.1,5									B	SUV1,2	119130	119178	20320	20321	20224				
E14	118809	CH	45	5,7.5	X	E25	118291	CH,BN	25	4.2,12	X	7-Way	B,E	SUV3									
E14	118809	CH	45	5,7.5	X								B,E	SUV3									
E5	118336	HG	5	2.1,5									B	SUV3	119130	119178	20320	20321	20224				
E25	118558	BN,CH	30	4.2,7.5	X	E30	118265	BN,CH	30	4.2,7.5	X	7-Way	B,E	SUV3,5	119191	119148					3070-P	5	
E17	118760	BN,CH	45	5,7.5	X	E19	118274	BN,CH	30	4.2,7.5	X	7-Way	B	SUV3	119130	119178	20320	20321	20224		3070-P	5	
E17	118760	BN,CH	45	5,7.5	X	E21	118286	BN,CH	30	4.2,12		7-Way	B	SUV3	119130	119178	20320	20321	20224		3070-P	5	
													B	SUV3	119130	119178	20320	20321	20224				
E15	118400	BN,CG	10	2.1,5	X								B	PU1,2	119130	119178	20320	20321	20224		3070-P	5	
E10	118778	BN,CH	20	4.2,7.5	X	E14	118288	BN,CH	20	4.2,7.5	X	7-Way	B,E	PU1,2								3070-P	5
<b>HUMMER</b>																							
						E8	118384 74682 8551511 85219	BN,RD RD RD RD	5 10 5	7.5		4-Flat Both 7-Way 7-Way	H	SUV6	119148	20252						3015-P	5
						E8	118384	BN,RD	5	7.5		4-Flat	A	SUV6	119148	20252	20320	20321	20224				

**A** 2 wire system.  
**B** 3 wire system. Converter required.  
**BN** Exterior mounted plug on some or all models. May require an aftermarket electrical mounting box or bracket. (Sold separately)  
**CG** T-One incorporates circuit protected taillight converter.  
**CH** T-One is equipped with circuit protected ModuLite® module.  
**E** ModuLite® required.  
**H** 3 wire system with OEM standard 2 wire harness.  
**HG** T-One incorporates taillight converter.  
**RD** For vehicles equipped with factory tow package may require additional components or may be used as a replacement harness.

**RT1** Round Tube Class I 1-1/4"  
**RT2** Round Tube Class II 1-1/4"  
**RT3** Round Tube Class III 2"  
**SQ1** Square Tube Class I  
**SQ2** Square Tube Class II  
**SQ3** Square Tube Class III  
**SQ4** Square Tube Class IV

**RECEIVER HITCH APPLICATIONS**

MODEL / STYLE	YEAR	TRAILER HITCHES									
		PC	REC TYPE	REC SIZE	PART NO.	NO DRILL	FOOTNOTES	OPTIONAL DRAWBAR	WC (LBS.)	WD (LBS.)	IN
<i>For vehicles prior to 2001,</i>											
<b>HUMMER (Continued)</b>											
H3 w/Factory 7-Way	06-10										
H3T w/Factory 7-Way	09-10										
<b>HYUNDAI</b>											
Accent	00-05	32	SQ1	1-1/4	24736†	0	†,GP	3593	200/2,000		20
Accent 4 Dr. Sedan	06-11	32	SQ1	1-1/4	24760	0	GP	3590	200/2,000		20
Accent 3 Dr. Hatchback	07-11	28	SQ1	1-1/4	24795	0	JR,GP	3594	200/2,000		25
Accent 4 Dr. Sedan	12-17	30	SQ1	1-1/4	24884	0	HM	3592	200/2,000		15
Accent 5 Dr. Hatchback	12	30	SQ1	1-1/4	24884	0	HM	3592	200/2,000		15
Accent 5 Dr. Hatchback	13-17	30	SQ1	1-1/4	24884	0	HM	3592	200/2,000		15
Accent 4 Dr. Sedan	18-20	30	SQ1	1-1/4	24884	0	HM	3592	200/2,000		15
Azera	12-17	28	RT2	1-1/4	36544†		HM,JR	36061	300/3,500		20
Elantra	96-00	27	SQ1	1-1/4	24646†		†,TA,GP	3593	200/2,000		30
Elantra	01-06	33	SQ1	1-1/4	24703	0	HM	3593	200/2,000		15
Elantra 4 Dr. Sedan	07-10	28	SQ1	1-1/4	24795	0	JR,X,GP	3594	200/2,000		25
Elantra Touring, 5 Dr.	09-12	14	SQ1	1-1/4	24844	0	GP,JR	3594	200/2,000		25
Elantra 4 Dr. Sedan	11-12	17	SQ1	1-1/4	24902		HM	3594	200/2,000		25
Elantra 2 Dr. Coupe	13-14	17	SQ1	1-1/4	24902		HM,SV	3594	200/2,000		25
Elantra 4 Dr. Sedan	13-16	17	SQ1	1-1/4	24902		HM,SV	3594	200/2,000		25
Elantra 4 Dr. Except Limited & Sport Models	17-20	15	SQ1	1-1/4	24939		EP,JR,GP,KH	3593	200/2,000		50
Elantra 4 Dr. Limited Models Except Sport	17-20	15	SQ1	1-1/4	24939		EP,JR,GP,KH	3593	200/2,000		50
Elantra Except GT & Sport	18-20	23	SQ1	1-1/4	24964	0	EP,JR,GP,KH	3593	200/2,000		40
Elantra GT Except for Korean Manufactured Vehicles	13-20	25	SQ1	1-1/4	24905	0	HM	3594	200/2,000		25
Elantra GT Except Sport	18	25	SQ1	1-1/4	24970	0	DU,GP,X,SV,JR	3594	200/2,000		45
Entourage	07-09	45	RT3		75421	0	HM,JR		350/3,500	400/4,000	20
Genesis 4 Dr. Sedan	09-11	30	SQ2	1-1/4	36486		HM,JR,KH	36065	300/3,500		60
Genesis 2 Dr. Coupe	10-12										
Genesis 4 Dr. Sedan	12-14	30	SQ2	1-1/4	36486		HM,JR,KH	36065	300/3,500		60
Genesis Sedan	15-16										
Ioniq Hybrid	17-20	23	SQ1	1-1/4	24963	0	JR,GP,SV	3593	200/2,000		30
Kona	18-21	41	SQ1	1-1/4	24976	0	GP,JR	3593	200/2,000		35
Palisade	20-21	38	SQ3	2	76420	0	JR,X		500/5,000	750/6,000	30
Santa Fe	01-06	25	RT3	2	41543	0	GP,JR		315/3,500		35
Santa Fe	07-09	37	SQ3	2	75471	0	TG		525/3,500		20
Santa Fe	10-12	29	SQ2	1-1/4	36511	0	HM	36051	300/3,500		15
		25	SQ3	2	75684	0	HM		350/3,500	500/5,000	15
Santa Fe (6/7 Passenger)	13-18	33	RT3	2	75776	0	FP,GP,J		750/5,000	750/7,500	30
Santa Fe Sport (5 Passenger)	13-18	27	RT2	1-1/4	36536	0	HM,JR,SV	36051	300/3,500		30
		28	RT3	2	75772	0	HM,JR,SV		525/3,500	525/5,250	30
Santa Fe Sport (5 Passenger), w/Factory Tow Package	13-18										
Santa Fe	19-20	36	RT3	2	75908	0	HM,TA,JR		500/5,000		40
Santa Fe	20	36	RT3	2	75908	0	HM,TA,JR		500/5,000		40
Sonata	02-05	31	SQ1	1-1/4	24713†	0	†,HM	3593	200/2,000		15
Sonata	06-09	24	SQ1	1-1/4	24757	0	HM	3592	200/2,000		20
Sonata	10	24	SQ1	1-1/4	24757	0	HM	3592	200/2,000		20
Sonata Except Hybrid	11-14	22	SQ1	1-1/4	24965	0	HM,JR,KH,SV	3593	200/2,000		40
Sonata Hybrid	11-14	22	SQ1	1-1/4	24965	0	HM,JR,KH,SV	3593	200/2,000		40
Sonata Except Hybrid	15-17	22	SQ1	1-1/4	24965	0	HM,JR,KH,SV	3593	200/2,000		40

† Available while supply lasts.	JR Exhaust must be temporarily lowered for installation.
DU Fascia removal required.	KH Minor heat shield modification may be required.
EP Fascia trimming may be required.	SV Trimming or removal of under body appearance panel may be required.
FP Spare tire repositioning and/or modification of spare tire carrier may be required.	TA Trunk access required for hitch installation.
GP Hitch crosstube concealed behind bumper.	TG Hitches produced before 05/13/11 are rated at 350/3500 WC.
HM Hitch crosstube is visible beneath bumper.	X Minor fascia trimming required.
J Under vehicle spare tire stowage is retained.	

T-ONE						TOW HARNESS					4-FLAT WIRING				REQ. 4 FLAT WIRING		7-WAY HARDWARE	BRAKE CONTROL HARNESS	IN	
PC	T-ONE	FN	IN	AMP	CP	PC	TOW HARN	FN	IN	AMP	CP	TYPE	ELEC	POS	CHOICE 1	CHOICE 2				6-WAY ADAPTER
<b>HUMMER (Continued)</b>																				
E8	118384	BN,RD	5	7.5			74682 8551511 85219	RD RD RD	10 5			Both 7-Way 7-Way	A	SUV6	119148	20252				
E8	118384	BN,RD	5	7.5		E8	118384 74682 8551511 85219	BN,RD RD RD RD	5 10 5	7.5		4-Flat Both 7-Way 7-Way	A	SUV6	119148	20252				
<b>HYUNDAI</b>																				
													B	PC3,4	119130	119178				
													B	PC1,2	119130	119178				
													B	PC1,2	119130	119178				
E16	118559	CH	45	2.1,5.6	X								B,E	PC3,4	119191	119148				
													B,E	PC3,4	119191	119148				
E15	118771	CH	45	5.7,5	X								B,E	PC3,4	119191	119148				
		CH											B,E	PC3,4	119191	119148				
E15	118595	CH	45	2.1,5.6	X								B,E	PC3,4	119191	119148				
													B	PC3,4	119130	119178				
													B	PC3,4	119130	119178				
E12	118433	CG	10	2.1,5	X								B	PC3,4	119130	119178				
E11	118473	CG	15	2.1,7,5	X								B	PC3,4	119130	119178				
E16	118532	CH	45	2.1,5.6	X								B,E	PC3,4	119191	119148				
E16	118532	CH	45	2.1,5.6	X								B,E	PC3,4	119191	119148				
E16	118532	CH	45	2.1,5.6	X								B,E	PC3,4	119191	119148				
E15	118692	CH	45	4.2,7,5	X								B,E	PC3,4	119191	119148				
E15	118711	CH	45	4.2,7,5	X								B,E	PC3,4	119191	119148				
E15	118692	CH	45	4.2,7,5	X								B,E	PC3,4	119191	119148				
E15	118692	CH	45	4.2,7,5	X								B,E	PC3,4	119191	119148				
													B,E	PC3,4	119191	119148				
E19	118410	BN,CH	45	2.1,5.6	X								B,E	SUV1,2	119191	119148	20320	20321	20224	
E15	118476	CH	15	2.1,5.6	X								B,E	PC3,4	119191	119148				
E16	118522	CH	45	2.1,5.6	X								B,E	PC3,4	119191	119148				
													B,E	PC3,4	119191	119148				
E13	118738	CH	45	5.7,5	X								B,E	PC3,4	119191	119148				
E14	118758	CH	45	5.7,5	X								A,E	PC3,4						
													B,E	SUV5,7	119191	119148,1 19251				
E11	118784	BN,CH	15	5.7,5	X								B,E	SUV5	119191	119148				
E11	118473	CG	15	2.1,7,5	X								B	SUV3,4	119130	119178	20320	20321	20224	
E12	118415	CG	20	2.1,5	X	E14	118258	CH	25	2.1,5.6	X	4-Flat	B	SUV3,4	119130	119178	20320	20321	20224	
E12	118415	CG	20	2.1,5	X	E14	118258	CH	25	2.1,5.6	X	4-Flat	B,E	SUV5	119191	119148	20320	20321	20224	
E13	118269		20	4.2,7,5	X		22122	BN,CH	90	4.2,12		7-Way	B,E	SUV1,2	119191	119148	20320	20321	20224	
E18	118571	BN,CH	45	4.2,7,5	X	E13	118269	BN,CH	20	4.2,7,5	X	4-Flat	B,E	SUV1,2	119191	119148	20320	20321	20224	
E13	118269	BN,CH	20	4.2,7,5	X		22122	BN,CH	90	4.2,12		7-Way	B,E	SUV5	119191	119148				
E11	118784	BN,CH	15	5.7,5	X															
													B	PC3,4	119130	119178				
E12	118433	CG	10	2.1,5	X								B	PC3,4	119130	119178				
E16	118557	CH	45	4.2,7,5	X								B,E	PC3,4	119191	119148				
E16	118557	CH	45	4.2,7,5	X								B,E	PC3,4	119191	119148				
E14	118663		45	4.2,7,5	X								B,E	PC3,4	119191	119148				
E15	118644	CH	45	2.1,5.6	X								B,E	PC3,4	119191	119148				

**A** 2 wire system.  
**B** 3 wire system. Converter required.  
**BN** Exterior mounted plug on some or all models. May require an aftermarket electrical mounting box or bracket. (Sold separately)  
**CG** T-One incorporates circuit protected taillight converter.

**CH** T-One is equipped with circuit protected ModuLite® module.  
**E** ModuLite® required.  
**RD** For vehicles equipped with factory tow package may require additional components or may be used as a replacement harness.

**RT2** Round Tube Class II 1-1/4"  
**RT3** Round Tube Class III 2"  
**SQ1** Square Tube Class I  
**SQ2** Square Tube Class II  
**SQ3** Square Tube Class III

# RECEIVER HITCH APPLICATIONS

RECEIVER HITCHES

H - HYUNDAI

MODEL / STYLE	YEAR	TRAILER HITCHES									
		PC	REC TYPE	REC SIZE	PART NO.	NO DRILL	FOOTNOTES	OPTIONAL DRAWBAR	WC (LBS.)	WD (LBS.)	IN
<i>For vehicles prior to 2001,</i>											
<b>HYUNDAI (Continued)</b>											
Sonata Except Hybrid	18-19	22	SQ1	1-1/4	24965	0	HM, JR, KH, SV	3593	200/2,000		40
Sonata	20	28	SQ1	1-1/4	24993	0	HM, JR	3593	200/2,000		30
Tiburon	03-08	25	SQ1	1-1/4	24726†		†, TA, HM	3592	200/2,000		45
Tucson	05-09	32	SQ2	1-1/4	36363	0	GP, JR	36051	300/3,500		25
		30	SQ3	2	75561	0	GP, JR		350/3,500		25
Tucson	10-15	21	SQ2	1-1/4	36510	0	GP, JR	36051	300/3,500		20
		23	SQ3	2	75717	0	GP, JR		525/3,500	525/5,250	20
Tucson	16-18	26	RT2	1-1/4	36572	0	GP, JR	36051	300/3,500		30
		28	SQ3	2	75836	0	GP, JR		525/3,500		30
Tucson	19-21	26	RT2	1-1/4	36572			36051	300/3,500		
		28	SQ3	2	75836				525/3,500		
Venue	20	34	SQ1	1-1/4	24992	0	HM, JR, KH, EP, X	3593	200/2,000		30
Venue	21										
Veracruz	07-12	53	SQ3	2	75532	0	HM, JR		500/5,000	500/5,000	30
<b>INFINITI</b>											
FX35	09-12	38	RT3	2	75778	0			400/4,000		40
FX37	13	38	RT3	2	75778		HM		400/4,000		40
FX50	09-13	38	RT3	2	75778		HM		400/4,000		40
G35 4 Dr. Sedan	07-08	11	SQ1	1-1/4	24831		EP, GP	3593	200/2,000		45
G37 4 Dr. Sedan	09-13	11	SQ1	1-1/4	24831		EP, GP	3593	200/2,000		45
I30	96-99	34	SQ1	1-1/4	24686		TA, GP	3593	200/2,000		30
I30	00-01	34	SQ1	1-1/4	24686		TA, GP	3592	200/2,000		30
I35	02-04	34	SQ1	1-1/4	24686		TA, GP	3592	200/2,000		30
JX35	13	25	SQ4	2	76031	0	HM		900/6,000	900/6,000	25
Q50	14-20	27	SQ1	1-1/4	24931		GP, JR	3592	200/2,000		40
Q50	18-20										
QX30 Except Sport Model	17-20	36	SQ3	2	75223	0	GP, JR, TA, KH		350/3,500		90
QX4	97-03	39	SQ2	1-1/4	36222†	0	†, HM	36071	300/3,500		20
		34	RT3	2	75077	0			500/5,000	550/5,500	20
QX50	19-20	35	SQ3	2	76240	0			400/4,000		20
QX56	04-10	38	RT4	2	75741	0	HM		600/6,000	1,000/10,000	15
QX56 w/Factory 7-Way	04-13										
QX60	14-15	25	SQ4	2	76031	0	HM		900/6,000	900/6,000	25
QX60	14-20	76904	SQ3	2	76904				450/4,500		
QX60	16-17	25	SQ4	2	76031	0	HM		900/6,000	900/6,000	25
QX60	18-20	25	SQ4	2	76031	0	HM		900/6,000	900/6,000	25
QX60	21	25	SQ4	2	76031	0	HM		900/6,000	900/6,000	25
QX70	14-20	38	RT3	2	75778		HM		400/4,000		40
QX80	14-20										
<b>ISUZU</b>											
Amigo w/Door Mounted Spare	98-00	28	SQ2	1-1/4	36247†	0	†, GP	36053	300/3,500		15
Ascender w/Factory 7-Way	03-08										
Axiom w/Under Vehicle Spare	02-03	30	RT3	2	75093				350/3,500	500/5,000	20
D-Max	13	51	SQ3	2	75792	0	GP		600/4,000	600/6,000	20
Hombre w/Step Bumper	96-97	34	SQ2	1-1/4	36248	0	GU, HM, RH	36071	300/3,500		35
		34	SQ3	2	75051	0	GP, GU		350/3,500	750/6,000	40
Hombre w/Step Bumper	98-00	34	SQ2	1-1/4	36248	0	GU, RH, GP	36071	300/3,500		35
		30	SQ3	2	75085	0	GP		350/3,500	750/6,000	40

- † Available while supply lasts.
- AF Hitch is ONLY rated for Weight Carrying at 3500 lbs. GTW / 350 lbs. TW and DO NOT use Weight Distribution Spring Bars for this Specific Vehicle. Except for long bed pickups.
- CN Requires OEM factory bumper for hitch installation.
- EP Fascia trimming may be required.
- GP Hitch crosstube concealed behind bumper.
- GU Will not fit vehicles with factory or aftermarket lower Fascia/Rollpan or Tube Bumper.
- HM Hitch crosstube is visible beneath bumper.
- JR Exhaust must be temporarily lowered for installation.
- KH Minor heat shield modification may be required.
- RH Optional drawbar #36051 required (Sold separately) except for models with ZR2 & Highrider package.
- ST Will not fit 2WD models with short bed.
- SV Trimming or removal of under body appearance panel may be required.
- TA Trunk access required for hitch installation.
- X Minor fascia trimming required.

T-ONE						TOW HARNESS					4-FLAT WIRING				REQ. 4 FLAT WIRING		7-WAY HARDWARE	BRAKE CONTROL HARNESS	IN				
PC	T-ONE	FN	IN	AMP	CP	PC	TOW HARN	FN	IN	AMP	CP	TYPE	ELEC	POS	CHOICE 1	CHOICE 2				6-WAY ADAPTER	7-WAY ADAPTER		
<b>HYUNDAI (Continued)</b>																							
E15	118762	CH	45	5.75	X								B,E	PC3,4	119191	119148							
E17	118819	CH	45	5.75	X								A,E	PC3,4	119191	119148							
													B	PC3,4	119130	119178							
E16	118397	CG	30	2.15	X								B	SUV1,2	119130	119178	20320	20321	20224				
E18	118501	CH	30	2.15,6	X								B,E	SUV1,2	119191	119148	20320	20321	20224				
E18	118501	CH	30	2.15,6	X								B,E	SUV1,2	119191	119148							
E21	118812	CH	45	5.75	X								B,E	SUV1,2	119191	119148	20320	20321	20224				
E22	118818	CH	45	5.75	X								B,E	SUV3,4	119191	119148							
E22	118818	CH	45	5.75	X								B,E	SUV3,4	119191	119148							
E13	118269	BN,CH	20	4.2,7.5	X		22122	BN,CH	90	4.2,12		7-Way	B,E	SUV7	119191	119148	20320	20321	20224				
<b>INFINITI</b>																							
E16	118593	CH	45	4.2,7.5	X								B,E	SUV3,4	119191	119148	20320	20321	20224				
E16	118593	CH	45	4.2,7.5	X								B,E	SUV3,4	119191	119148	20320	20321	20224				
E16	118593	CH	45	4.2,7.5	X								B,E	SUV3,4	119191	119148	20320	20321	20224				
E15	118480	CH	45	2.1,5.6	X								B,E	PC3,4	119191	119148							
E15	118480	CH	45	2.1,5.6	X								B,E	PC3,4	119191	119148							
													E	PC3,4	119191	119148							
													B	PC3,4	119130	119178							
													B	PC3,4	119130	119178							
													B,E	SUV1,2	119191	119148							
E15	118672	CH	45	4.2,7.5	X								B,E	PC3,4	119191	119148							
E15	118672	CH	45	4.2,7.5	X								B,E	PC3,4	119191	119148							
E15	118736	CH	45	4.2,7.5	X								A,E	SUV3,4	119191	119148							
E10	118361	HG	20	2.1,5									B	SUV1,2	119130	119178	20320	20321	20224				
E18	118796	BN,CH	45	5.7,5	X								B,E	SUV1,2	119191	119148							
							E8	118384	BN,RD	5	7.5		4-Flat	A	SUV6	119148	20252	20320	20321	20224	3050-P	5	
								74682	RD	10			Both	H	SUV6	119148	20252					3050-P	5
								85219	RD	5			7-Way										
E20	118670	BN	30	7.5			E23	118273	BN,RD	20	10		7-Way	B,E	SUV1,2	119191	119148	20320	20321	20224			
		BN						E9	118267	BN,RD	30			B,E	SUV3	119130	119178					3050-P	5
E20	118670	BN	30	7.5									B,E	SUV1,2	119191	119148	20320	20321	20224	3050-P	5		
E20	118670	BN	30	7.5			E23	118273	BN	20	10		7-Way	B,E	SUV1,2	119191	119148	20320	20321	20224	3050-P	5	
E20	118670	BN	30	7.5									B,E	SUV1,2	119191	119148	20320	20321	20224				
		CH											B,E	SUV3,4	119191	119148	20320	20321	20224		3050-P	5	
														PC3,4	119191	119148							
<b>ISUZU</b>																							
E17	118360	BN,HG	15	2.1,5									B	SUV1,2	119130	119178							
							E8	118384	BN,RD	5	7.5		4-Flat	H	SUV6	119148	20252						
								74682	RD	10			Both										
								8551511	RD				7-Way										
								85219	RD	5			7-Way										
													B	SUV1,2	119130	119178	20320	20321	20224				
E3	118312	BN	5	7.5									B,E	PU1,2	119191	119148	20320	20321	20224				
E4	118359	BN	5	7.5									A	PU3	119148	20252	20320	20321	20224				

**A** 2 wire system.  
**B** 3 wire system. Converter required.  
**BN** Exterior mounted plug on some or all models. May require an aftermarket electrical mounting box or bracket. (Sold separately)  
**CG** T-One incorporates circuit protected taillight converter.  
**CH** T-One is equipped with circuit protected ModuLite® module.

**E** ModuLite® required.  
**H** 3 wire system with OEM standard 2 wire harness.  
**HG** T-One incorporates taillight converter.  
**RD** For vehicles equipped with factory tow package may require additional components or may be used as a replacement harness.

**RT2** Round Tube Class II 1-1/4"  
**RT3** Round Tube Class III 2"  
**RT4** Round Tube Class IV 2"  
**SQ1** Square Tube Class I  
**SQ2** Square Tube Class II  
**SQ3** Square Tube Class III  
**SQ4** Square Tube Class IV

# RECEIVER HITCH APPLICATIONS

MODEL / STYLE	YEAR	TRAILER HITCHES									
		PC	REC TYPE	REC SIZE	PART NO.	NO DRILL	FOOTNOTES	OPTIONAL DRAWBAR	WC (LBS.)	WD (LBS.)	IN
<i>For vehicles prior to 2001,</i>											
<b>ISUZU (Continued)</b>											
i-280	06	23	SQ4	2	75607	0	GP		600/6,000	750/7,500	25
i-290	07-08	23	SQ4	2	75607	0	GP		600/6,000	750/7,500	25
i-350	06	23	SQ4	2	75607	0	GP		600/6,000	750/7,500	25
i-370	07-08	23	SQ4	2	75607	0	GP		600/6,000	750/7,500	25
MU-X	13-20	35	SQ4	2	75220†	0	†,DU,EP		600/6,000	600/6,000	45
Oasis	96-99	35	SQ2	1-1/4	36204†		HM,JR	36051	300/3,500		30
Rodeo	92-97	37	SQ3	2	75049	0	GP		500/5,000		40
Rodeo w/Door Mounted Spare	98-01	28	SQ2	1-1/4	36247†	0	†,GP	36053	300/3,500		15
		32	SQ3	2	75092	0			350/3,500	500/5,000	15
Rodeo w/Under Vehicle Spare, Except w/3.5L	98-04	30	RT3	2	75093	0			350/3,500	500/5,000	15
Rodeo Sport 2 Dr., w/Door Mounted Spare	01-03	28	SQ2	1-1/4	36247†	0	†,GP	36053	300/3,500		15
Trooper	92-02	41	SQ3	2	75043†		†,HM		500/5,000	750/7,500	40
<b>JAGUAR</b>											
E-Pace	18-20	33	SQ3	2	76330	0	GP,DU,EP		350/3,500		90
F-Pace	17-20	37	SQ4	2	76026	0	GP,AA,DU,SV,TA,TZ		900/6,000		90
<b>JEEP</b>											
Cherokee	97-01	34	SQ2	1-1/4	36260†	0	GP	36071	300/3,500		30
		30	SQ3	2	75054		GP		350/3,500	550/5,500	40
		50	SQ3	2	37136				500/5,000	600/6,000	45
Cherokee	14-18	30	SQ3	2	75998	0	EP,GP		500/5,000	500/5,000	60
Cherokee Trailhawk	14-18	35	RT3	2	75838	0	HM		600/5,000	600/6,000	30
Cherokee	19-20	30	SQ3	2	75998	0	EP,GP		500/5,000	500/5,000	60
Cherokee	21	30	SQ3	2	75998	0	EP,GP		500/5,000	500/5,000	60
Commander	06-10	16	SQ2	1-1/4	36362	0	GP	36051	300/3,500		20
		19	SQ3	2	75338	0	TL		750/5,000	750/7,500	20
Commander w/Factory 7-Way	06-10										
Compass	07-10	22	SQ2	1-1/4	36423	0	GP	36061	300/3,500		15
		23	SQ3	2	75712	0	GP,TU		525/3,500		15
Compass Rallye Edition	07-10	22	SQ2	1-1/4	36423	0	EP,GP	36061	300/3,500		30
		23	SQ3	2	75712	0	EP,GP,TU		525/3,500		30
Compass (Old Body Style)	11-17	22	SQ2	1-1/4	36423	0	EP,GP	36061	300/3,500		30
		23	SQ3	2	75712	0	EP,GP,TU		525/3,500		30
Compass (New Body Style)	17-21	25	RT2	1-1/4	36598	0	HM,JR,KH	36061	350/3,500		40
		26	RT3	2	76144	0	HM,JR,KH		675/4,500		40
Gladiator Except Rubicon	20-21	38	RT3	2	76310	0	HM		1,125/7,500	1,200/8,000	30
Gladiator Rubicon	20-21					0					20
Grand Cherokee	94-98	50	SQ3	2	37136				500/5,000	600/6,000	35
		30	SQ3	2	75041	0	GP		500/5,000	750/7,500	40
Grand Cherokee	99	33	SQ2	1-1/4	36276	0	HM	36051	300/3,500		15
		31	SQ3	2	75139	0			500/5,000	750/7,500	15
Grand Cherokee	00-04	33	SQ2	1-1/4	36276	0	HM	36051	300/3,500		15
		31	SQ3	2	75139	0			500/5,000	750/7,500	15
Grand Cherokee w/Factory 7-Way	00-04										
Grand Cherokee Except SRT-8	05-06	16	SQ2	1-1/4	36362	0	AI,GP	36051	300/3,500		90
		19	SQ3	2	75338	0	AI,TL		750/5,000	750/7,500	90
Grand Cherokee Except SRT-8 & w/OEM Tow Hook, w/Factory 7-Way	05-10										
Grand Cherokee w/OEM Tow Hook, w/Factory 7-Way	05-10										
Grand Cherokee Except SRT-8	07-10	16	SQ2	1-1/4	36362	0	AI,GP	36051	300/3,500		90
		19	SQ3	2	75338	0	AI,TL		750/5,000	750/7,500	90
Grand Cherokee	11-13	<sup>7691</sup> <sub>3</sub>	SQ3	2	76913	0	0, GP, TW		350/3,500		20

- |           |           |  |
|-----------|-----------|--|
| <b>GP</b> | <b>JR</b> | Exhaust must be temporarily lowered for installation.                    |
| <b>TW</b> | <b>KH</b> | Minor heat shield modification may be required.                          |
| <b>†</b>  | <b>0</b>  | Uses all existing holes. No drilling required.                           |
| <b>AA</b> | <b>SV</b> | Trimming or removal of under body appearance panel may be required.      |
| <b>AI</b> | <b>TA</b> | Trunk access required for hitch installation.                            |
| <b>DU</b> | <b>TL</b> | Hitches produced before 10/31/11 are rated at 500/5000 WC & 750/7500 WD. |
| <b>EP</b> | <b>TU</b> | Hitches produced before 07/24/12 are rated at 350/3500 WC.               |
| <b>GP</b> | <b>TZ</b> | Requires replacement of the impact structure with hitch.                 |
| <b>HM</b> |           |  |

T-ONE						TOW HARNESS					4-FLAT WIRING				REQ. 4 FLAT WIRING		7-WAY HARDWIRE	BRAKE CONTROL HARNESS	IN				
PC	T-ONE	FN	IN	AMP	CP	PC	TOW HARN	FN	IN	AMP	CP	TYPE	ELEC	POS	CHOICE 1	CHOICE 2				6-WAY ADAPTER	7-WAY ADAPTER		
<b>ISUZU (Continued)</b>																							
E10	118301	BN,CG	10	2.1,5	X								B	PU3	119130	119178	20320	20321	20224				
E10	118301	BN,CG	10	2.1,5	X								B	PU3	119130	119178	20320	20321	20224				
E10	118301	BN,CG	10	2.1,5	X								B	PU3	119130	119178	20320	20321	20224				
E10	118301	BN,CG	10	2.1,5	X								B	PU3	119130	119178	20320	20321	20224				
													B,E	SUV1,2	119191	119148							
E5	118336	HG	5	2.1,5									B	SUV3	119130	119178							
E7	118331	BN,HG	5	2.1,5									B	SUV1,2	119130	119178	20320	20321	20224				
E17	118360	BN,HG	15	2.1,5									B	SUV1,2	119130	119178	20320	20321	20224				
E17	118360	BN,HG	15	2.1,5									B	SUV1,2	119130	119178	20320	20321	20224				
E17	118360	BN,HG	15	2.1,5									B	SUV1,2	119130	119178	20320	20321	20224				
E7	118339	BN,HG	5	2.1,5									B	SUV5	119130	119178	20320	20321	20224				
<b>JAGUAR</b>																							
E17	118788	BN,CH	45	5.7,5	X								A,E	SUV1,2	119191	119148							
E16	118785	CH,BN	45	5.7,5	X								A,E	SUV1,2	119191	119148							
<b>JEEP</b>																							
E8	118354	HG	20	2.1,5									B	SUV3	119130	119178	20320	20321	20224				
E18	118605	CH,BN	45	4.2,7.5	X								A,E	SUV1,2	119191	119148	20320	20321	20224	3014-P	5		
E18	118605	CH,BN	45	4.2,7.5	X								A,E	SUV1,2	119191	119148	20320	20321	20224	3014-P	5		
E17	118779	CH,BN	45	5.7,5	X								N	SUV1,2							3014-P	5	
E17	118779	CH,BN	45	5.7,5	X								N	SUV1,2									
E16	118408	BN,CG	15	2.1,5	X	E3	118381	BN,RD	5	7.5		4-Flat	B	SUV1,2	119130	119178	20320	20321	20224				
							20135	RD	10			Both	H	SUV6	119148	20252							
E18	118428	BN,CH	45	2.1,4.2	X								B,E	SUV1,2	119191	119148	20320	20321	20224				
E18	118428	BN,CH	45	2.1,4.2	X								B,E	SUV1,2	119191	119148	20320	20321	20224				
E20	118539	BN,CH	45	4.2,7.5	X								B,E	SUV1,2	119191	119148	20320	20321	20224				
E20	118752	BN,CH	45	5.7,5	X								A,E	SUV1,2									
E21	118786	BN,CH	45	5.7,5	X								A,E	PU1,2							3073-P	10	
E21	118786	BN,CH	45	5.7,5	X								A,E	PU1,2								3073-P	10
E16	118349	CH,JM	45	2.1,4.2									B,E	SUV3,4	119191	119148	20320	20321	20224				
E10	118369	CH	10	2.1,4.2									B,E	SUV3,4	119191	119148	20320	20321	20224				
E10	118369	CH	10	2.1,4.2		E3	118381	BN,RD	5	7.5		4-Flat	B,E	SUV3,4	119191	119148	20320	20321	20224				
							20135	RD	10			Both	H	SUV6	119148	20252							
E17	118394	BN,CG	20	2.1,5	X	E3	118381	BN,RD	5	7.5		4-Flat	B	SUV1,2	119130	119178	20320	20321	20224				
							20135	RD	10			Both	H	SUV6	119148	20252							
							20135	RD	10			Both	H	SUV6	119148	20252							
E7	118425	BN	20	7.5		E3	118381	BN,RD	5	7.5		4-Flat	A	SUV1,2	119148	20252	20320	20321	20224				
													A	SUV1,2	119191	119148	20320	20321	20224	3045-P	5		

- A** 2 wire system.
- B** 3 wire system. Converter required.
- BN** Exterior mounted plug on some or all models. May require an aftermarket electrical mounting box or bracket. (Sold separately)
- CG** T-One incorporates circuit protected taillight converter.
- CH** T-One is equipped with circuit protected ModuLite® module.
- E** ModuLite® required.
- H** 3 wire system with OEM standard 2 wire harness.
- HG** T-One incorporates taillight converter.
- JM** Some early production 1994 models may require #118348.
- N** DO NOT cut or splice vehicle wiring. Only use approved T-One or see auto dealer for trailer tow wiring kit.
- RD** For vehicles equipped with factory tow package may require additional components or may be used as a replacement harness.

- RT2** Round Tube Class II 1-1/4"
- RT3** Round Tube Class III 2"
- SQ2** Square Tube Class II
- SQ3** Square Tube Class III
- SQ4** Square Tube Class IV



# RECEIVER HITCH APPLICATIONS

RECEIVER HITCHES

MODEL / STYLE	YEAR	TRAILER HITCHES									
		PC	REC TYPE	REC SIZE	PART NO.	NO DRILL	FOOTNOTES	OPTIONAL DRAWBAR	WC (LBS.)	WD (LBS.)	IN
<i>For vehicles prior to 2001,</i>											
<b>JEEP (Continued)</b>											
Grand Cherokee w/Factory 7-Way	11-12										
Grand Cherokee w/OEM Tow Hook	11-13	21	SQ3	2	75699	0	AI,GP		500/5,000	750/7,500	40
Grand Cherokee	14-20	76913	SQ3	2	76913	0	0, GP, TW		350/3,500		20
Grand Cherokee EcoDiesel	14-20	25	RT4	2	75713	0	CS, HM		900/6,000	900/7,500	20
Grand Cherokee Except w/OEM Tow Hook or ECODiesel Engine	14-20	21	SQ3	2	75699	0	GP		500/5,000	750/7,500	20
Grand Cherokee w/OEM Tow Hook, Except w/ECODiesel Engine	14-20	21	SQ3	2	75699	0	AI,GP		500/5,000	750/7,500	40
Grand Cherokee Except w/OEM Tow Hook or ECODiesel Engine	21	21	SQ3	2	75699	0	GP		500/5,000	750/7,500	20
Grand Cherokee w/OEM Tow Hook, Except w/ECODiesel Engine	21	21	SQ3	2	75699	0	AI,GP		500/5,000	750/7,500	40
Liberty	02-04	33	SQ2	1-1/4	36303†	0	†,GP	36071	300/3,500		15
		50	SQ3	2	37136				500/5,000	600/6,000	35
		23	SQ3	2	75128	0	GP, TM		750/5,000	750/7,500	15
Liberty	05-07	33	SQ2	1-1/4	36303†	0	†,GP	36071	300/3,500		15
		50	SQ3	2	37136				500/5,000	600/6,000	35
		23	SQ3	2	75128	0	GP, TM		750/5,000	750/7,500	15
Liberty w/Factory 7-Way	05-08										
Liberty	08	31	SQ2	1-1/4	36451	0	HM	36071	300/3,500		15
		36	RT3	2	75578	0	HM		500/5,000	750/7,500	20
Liberty	09-12	31	SQ2	1-1/4	36451	0	HM	36071	300/3,500		15
		36	RT3	2	75578	0	HM		500/5,000	750/7,500	20
Liberty w/Factory 7-Way	09-12										
Patriot	07	22	SQ2	1-1/4	36423	0	GP	36061	300/3,500		15
		23	SQ3	2	75712	0	GP, TU		525/3,500		15
Patriot	08-17	22	SQ2	1-1/4	36423	0	EP, GP	36061	300/3,500		30
		23	SQ3	2	75712	0	EP, GP, TU		525/3,500		30
Renegade	15-20	27	RT2	1-1/4	36587		HM	36071	300/3,500		30
		26	RT3	2	76021		HM, JR		675/4,500		40
TJ (Canada Only)	97	27	SQ1	1-1/4	24631	0	DA, HM	3590	200/2,000		15
		29	SQ2	1-1/4	36238	0	HM	36071	300/3,500		15
		31	SQ3	2	41531	0	HM		300/3,500		15
		28	RT3	2	75193	0	HM, TD		400/4,000		15
TJ (Canada Only)	98-06	27	SQ1	1-1/4	24631	0	DA, HM	3590	200/2,000		15
		29	SQ2	1-1/4	36238	0	HM	36071	300/3,500		15
		31	SQ3	2	41531	0	HM		300/3,500		15
		28	RT3	2	75193	0	HM, TD		400/4,000		15
Wrangler	97	27	SQ1	1-1/4	24631	0	DA, HM	3590	200/2,000		15
		29	SQ2	1-1/4	36238	0	HM	36071	300/3,500		15
		31	SQ3	2	41531	0	HM		300/3,500		15
		28	RT3	2	75193	0	HM, TD		400/4,000		15
Wrangler	98-06	27	SQ1	1-1/4	24631	0	DA, HM	3590	200/2,000		15
		29	SQ2	1-1/4	36238	0	HM	36071	300/3,500		15
		31	SQ3	2	41531	0	HM		300/3,500		15
		28	RT3	2	75193	0	HM, TD		400/4,000		15
Wrangler Except w/Right Hand Drive	07-17	11	SQ3	2	76104	0			675/4,500	675/4,500	20
Wrangler Except w/Right Hand Drive, Hard Rock Edition, 75th Anniversary Edition & vehicles with Mopar Off Road Bumper #82213654	07-17	22	SQ2	1-1/4	36424†	0	†,GP	36071	300/3,500		20
Wrangler Right Hand Drive	07-17	11	SQ3	2	76104	0			675/4,500	675/4,500	20
Wrangler Right Hand Drive, Except Hard Rock Edition, 75th Anniversary Edition & vehicles with Mopar Off Road Bumper #82213654	07-17	22	SQ2	1-1/4	36424†	0	†,GP	36071	300/3,500		20

- |   |   |
|---|---|
| <p><b>GP</b> Hitch cross tube concealed behind bumper.</p> <p><b>TW</b> Hitch cross tube is visible beneath bumper.</p> <p>† Available while supply lasts.</p> <p><b>AI</b> Additional installation time may be required.</p> <p><b>CS</b> Will fit with full-size spare tire stowed under vehicle.</p> <p><b>DA</b> Will not fit with tube style bumper.</p> <p><b>EP</b> Fascia trimming may be required.</p> | <p><b>GP</b> Hitch cross tube concealed behind bumper.</p> <p><b>HM</b> Hitch cross tube is visible beneath bumper.</p> <p><b>JR</b> Exhaust must be temporarily lowered for installation.</p> <p><b>0</b> Uses all existing holes. No drilling required.</p> <p><b>TD</b> Hitches without electrical bracket are rated at 350/3500 WC &amp; No WD. Hitch with electrical bracket rated at 400/4000 WC &amp; No WD.</p> <p><b>TM</b> Hitches produced before 01/04/12 are rated at 500/5000 WC &amp; 750/7500 WD.</p> <p><b>TU</b> Hitches produced before 07/24/12 are rated at 350/3500 WC.</p> |
|---|---|

T-ONE						TOW HARNESS					4-FLAT WIRING				REQ. 4 FLAT WIRING		7-WAY HARDWARE	BRAKE CONTROL HARNESS	IN		
PC	T-ONE	FN	IN	AMP	CP	PC	TOW HARN	FN	IN	AMP	CP	TYPE	ELEC	POS	CHOICE 1	CHOICE 2				6-WAY ADAPTER	7-WAY ADAPTER
<b>JEEP (Continued)</b>																					
							<b>74682</b> <b>85219</b>	RD RD	10 5			Both 7-Way 4-Flat	H	SUV6	<b>119148</b>	<b>20252</b>					
E7	<b>118425</b>	BN	20	7.5		E8	<b>118384</b>	BN,RD	5	7.5			A	SUV1,2	<b>119148</b>	<b>20252</b>	<b>20320</b>	<b>20321</b>	<b>20224</b>	<b>3045-P</b>	5
													A,E	SUV3,4	<b>119191</b>	<b>119148</b>	<b>20320</b>	<b>20321</b>	<b>20224</b>	<b>3045-P</b>	5
E18	<b>118727</b>	BN,CH	45	5.7,5	X								A,E	SUV1,2	<b>119191</b>	<b>119148</b>	<b>20320</b>	<b>20321</b>	<b>20224</b>	<b>3045-P</b>	5
E18	<b>118727</b>	BN,CH	45	5.7,5	X								A,E	SUV3,4	<b>119191</b>	<b>119148</b>	<b>20320</b>	<b>20321</b>	<b>20224</b>	<b>3045-P</b>	5
E18	<b>118727</b>	BN,CH	45	5.7,5	X								A,E	SUV3,4	<b>119191</b>	<b>119148</b>	<b>20320</b>	<b>20321</b>	<b>20224</b>	<b>3045-P</b>	5
E18	<b>118727</b>	BN,CH	45	5.7,5	X								A,E	SUV3,4	<b>119191</b>	<b>119148</b>	<b>20320</b>	<b>20321</b>	<b>20224</b>		
E18	<b>118727</b>	BN,CH	45	5.7,5	X								A,E	SUV3,4	<b>119191</b>	<b>119148</b>	<b>20320</b>	<b>20321</b>	<b>20224</b>		
E20	<b>118524</b>	HG	45	4.2,7.5	X								B	SUV1,2	<b>119130</b>	<b>119178</b>	<b>20320</b>	<b>20321</b>	<b>20224</b>		
E20	<b>118524</b>	HG	45	4.2,7.5	X	E3	<b>118381</b>	BN,RD	5	7.5		4-Flat	B	SUV1,2	<b>119130</b>	<b>119178</b>	<b>20320</b>	<b>20321</b>	<b>20224</b>		
							<b>20135</b>	RD	10			Both	H	SUV6	<b>119148</b>	<b>20252</b>					
E19	<b>118554</b>	BN,CH	45	4.2,7.5	X	E3	<b>118381</b>	BN,RD	5	7.5		4-Flat	B,E	SUV1,2	<b>119191</b>	<b>119148</b>	<b>20320</b>	<b>20321</b>	<b>20224</b>		
E19	<b>118554</b>	BN,CH	45	4.2,7.5	X	E8	<b>118384</b>	BN,RD	5	7.5		4-Flat	B,E	SUV1,2	<b>119191</b>	<b>119148</b>	<b>20320</b>	<b>20321</b>	<b>20224</b>		
							<b>74682</b> <b>85219</b>	RD RD	10 5			Both 7-Way	H	SUV6	<b>119148</b>	<b>20252</b>					
E18	<b>118428</b>	BN,CH	45	2.1,4.2	X								B,E	SUV1,2	<b>119191</b>	<b>119148</b>	<b>20320</b>	<b>20321</b>	<b>20224</b>		
E18	<b>118552</b>	CH	45	4.2,7.5	X								A,E	SUV1,2	<b>119191</b>	<b>119148</b>	<b>20320</b>	<b>20321</b>	<b>20224</b>		
E26	<b>118651</b>	CH	45	4.2,7.5	X								BT	SUV3,4	<b>119251</b>	<b>119191</b>	<b>20320</b>	<b>20321</b>			
E7	<b>118356</b>	BN	10	7.5									A	SUV5,7	<b>119148</b>	<b>20252</b>	<b>20320</b>	<b>20321</b>	<b>20224</b>		
E7	<b>118409</b>	BN	15	7.5									A	SUV5,7	<b>119148</b>	<b>20252</b>	<b>20320</b>	<b>20321</b>	<b>20224</b>		
E7	<b>118356</b>	BN	10	7.5									A	SUV5,7	<b>119148</b>	<b>20252</b>	<b>20320</b>	<b>20321</b>	<b>20224</b>		
E7	<b>118409</b>	BN	15	7.5									A	SUV5,7	<b>119148</b>	<b>20252</b>	<b>20320</b>	<b>20321</b>	<b>20224</b>		
E5	<b>118416</b>	BN	10	7.5									A	SUV1	<b>119148</b>	<b>20252</b>	<b>20320</b>	<b>20321</b>	<b>20224</b>		
E5	<b>118416</b>	BN	10	7.5									A	SUV1	<b>119148</b>	<b>20252</b>	<b>20320</b>	<b>20321</b>	<b>20224</b>		
													A	SUV1	<b>119148</b>	<b>20252</b>	<b>20320</b>	<b>20321</b>	<b>20224</b>		
													A	SUV1,2	<b>119148</b>	<b>20252</b>	<b>20320</b>	<b>20321</b>	<b>20224</b>		

- A** 2 wire system.
- B** 3 wire system. Converter required.
- BN** Exterior mounted plug on some or all models. May require an aftermarket electrical mounting box or bracket. (Sold separately)
- BT** Shared Brake/Tail/Turn multiplexed wiring system. ModuLite® HD Plus or Ultra required.
- CH** T-One is equipped with circuit protected ModuLite® module.
- E** ModuLite® required.
- H** 3 wire system with OEM standard 2 wire harness.
- HG** T-One incorporates taillight converter.
- RD** For vehicles equipped with factory tow package may require additional components or may be used as a replacement harness.

- RT2** Round Tube Class II 1-1/4"
- RT3** Round Tube Class III 2"
- RT4** Round Tube Class IV 2"
- SQ1** Square Tube Class I
- SQ2** Square Tube Class II
- SQ3** Square Tube Class III

# RECEIVER HITCH APPLICATIONS

RECEIVER HITCHES

MODEL / STYLE	YEAR	TRAILER HITCHES									
		PC	REC TYPE	REC SIZE	PART NO.	NO DRILL	FOOTNOTES	OPTIONAL DRAWBAR	WC (LBS.)	WD (LBS.)	IN
<i>For vehicles prior to 2001,</i>											
<b>JEEP (Continued)</b>											
Wrangler JL (New Body Style), Except Diesel	18-21	22	SQ2	1-1/4	36424†	0	†,GP	36071	300/3,500	675/4,500	20
		11	SQ3	2	76104	0			675/4,500	675/4,500	20
Wrangler JK Except w/Right Hand Drive	18	11	SQ3	2	76104	0			675/4,500	675/4,500	20
Wrangler JK Except w/Right Hand Drive, Hard Rock Edition, 75th Anniversary Edition & vehicles with Mopar Off Road Bumper #82213654	18	22	SQ2	1-1/4	36424†	0	†,GP	36071	300/3,500		20
Wrangler JK Right Hand Drive	18	11	SQ3	2	76104	0			675/4,500	675/4,500	20
Wrangler JK Right Hand Drive, Except Hard Rock Edition, 75th Anniversary Edition & vehicles with Mopar Off Road Bumper #82213654	18	22	SQ2	1-1/4	36424†	0	†,GP	36071	300/3,500		20
<b>KIA</b>											
Amanti	07-09										
Borrego w/Factory 7-Way	09-11										
Cadenza	14	28	RT2	1-1/4	36544†		HM,JR	36061	300/3,500		20
Forte 4 Dr. Sedan	10-13	27	SQ1	1-1/4	24846	0	HM,JR	3594	200/2,000		20
Forte 4 Dr. Sedan	14-18	23	SQ1	1-1/4	24903	0	HM	3594	200/2,000		20
Forte Sedan	19-21	23	SQ1	1-1/4	24990	0	DU,EP	3593	200/2,000		40
Magentis (Canada Only)	01-04	44	SQ1	1-1/4	24709†	0	†,GP	3593	200/2,000		15
Magentis (Canada Only)	06-10	29	SQ1	1-1/4	24778	0	HM,JR	3594	200/2,000		20
Niro Except Plug-In-Hybrid	17-20	28	SQ2	1-1/4	36600	0	GP,JR,EP,SV	36071	350/3,500		40
Optima	01-06	44	SQ1	1-1/4	24709†	0	†,GP	3593	200/2,000		15
Optima (App. starts with 2006-1/2)	06-08	29	SQ1	1-1/4	24778	0	HM,JR	3594	200/2,000		20
Optima	09-10	29	SQ1	1-1/4	24778	0	HM,JR	3594	200/2,000		20
Optima	11-20	22	SQ1	1-1/4	24965	0	HM,JR,KH,SV	3593	200/2,000		40
Rio	02-05	33	SQ1	1-1/4	24727†		†,TA,GP	3594	200/2,000		20
Rio 4 Dr. Sedan	06-11	32	SQ1	1-1/4	24760	0	GP	3590	200/2,000		20
Rio 4 Dr. Sedan, Except S	12-17	30	SQ1	1-1/4	24884	0	HM	3592	200/2,000		15
Rio 5 Dr. Hatchback	12-17	28	SQ1	1-1/4	24883	0	GP,JR,SV	3593	200/2,000		30
Rio Sedan	18-20	23	SQ1	1-1/4	24964	0	EP,JR,GP,KH	3593	200/2,000		40
Rio5 5 Dr. Hatchback	06-11	28	SQ1	1-1/4	24795	0	JR,X,GP	3594	200/2,000		25
Rondo	07-10	27	SQ1	1-1/4	24797	0	GP,JR	3594	200/2,000		30
Rondo (Canada Only)	11-12	27	SQ1	1-1/4	24797	0	GP,JR	3594	200/2,000		30
Rondo (Canada Only)	14-20	28	SQ2	1-1/4	36525	0	GP,JR,SV	36061	300/3,500		25
Sedona	02-05	41	SQ2	1-1/4	36305†		†,HM	36071	300/3,500		20
		41	RT3	2	75131		HM		500/5,000	550/5,500	30
Sedona 118.9" Long Wheelbase	06-12	45	RT3	2	75421	0	HM,JR		350/3,500	400/4,000	20
Sedona 113.8" Short Wheelbase	07-10	45	RT3	2	75551		HM,JR		350/3,500	400/4,000	25
Sedona 118.9" Long Wheelbase	14	45	RT3	2	75421	0	HM,JR		350/3,500	400/4,000	20
Sedona	15-21	40	RT3	2	75894	0	HM,JR,SV		400/4,000	400/4,000	20
Sorento	03-06	29	RT3	2	75516	0	HM		500/5,000	500/5,000	15
Sorento	07-09	29	RT3	2	75516	0	HM		500/5,000	500/5,000	15
Sorento Base I4	11-13	25	SQ3	2	75684	0	HM		350/3,500	500/5,000	15
Sorento EX I4	11-13	25	SQ3	2	75684	0	HM		350/3,500	500/5,000	15
Sorento EX V6, Except w/Factory Tow Package	11-13	25	SQ3	2	75684	0	HM		350/3,500	500/5,000	15
Sorento EX V6, w/Factory Tow Package	11-13	29	SQ2	1-1/4	36511	0	HM	36051	300/3,500		15
		25	SQ3	2	75684	0	HM		350/3,500	500/5,000	15
Sorento Except SX V6 & EX V6 w/Factory Tow Package	11-13	29	SQ2	1-1/4	36511	0	HM	36051	300/3,500		15
Sorento LX I4	11-13	25	SQ3	2	75684	0	HM		350/3,500	500/5,000	15
Sorento LX V6	11-13	25	SQ3	2	75684	0	HM		350/3,500	500/5,000	15
Sorento SX V6	11-13	29	SQ2	1-1/4	36511	0	HM	36051	300/3,500		15
		25	SQ3	2	75684	0	HM		350/3,500	500/5,000	15

- † Available while supply lasts.
- DU Fascia removal required.
- EP Fascia trimming may be required.
- GP Hitch cross tube concealed behind bumper.
- HM Hitch cross tube is visible beneath bumper.

- JR Exhaust must be temporarily lowered for installation.
- KH Minor heat shield modification may be required.
- SV Trimming or removal of under body appearance panel may be required.
- TA Trunk access required for hitch installation.
- X Minor fascia trimming required.



**RECEIVER HITCH APPLICATIONS**

MODEL / STYLE	YEAR	TRAILER HITCHES									
		PC	REC TYPE	REC SIZE	PART NO.	NO DRILL	FOOTNOTES	OPTIONAL DRAWBAR	WC (LBS.)	WD (LBS.)	IN
<i>For vehicles prior to 2001,</i>											
<b>KIA (Continued)</b>											
Sorento w/ I4 Engine	14-15	27	RT2	1-1/4	36536	0	HM,J,JR,SV	36051	300/3,500		30
		28	RT3	2	75772	0	HM,J,JR,SV		525/3,500	525/5,250	30
Sorento w/ V6 Engine	14-15	27	RT2	1-1/4	36536	0	HM,J,JR,SV	36051	300/3,500		30
		28	RT3	2	75772	0	HM,J,JR,SV		525/3,500	525/5,250	30
Sorento w/ I4 Engine	16-20	32	RT2	2	37132	0	JR,HM,TA	36071	350/3,500		40
		36	RT3	2	75908	0	HM,TA,JR		500/5,000		40
Sorento w/ V6 Engine	16-20	32	RT2	2	37132	0	HM,TA,JR	36071	350/3,500		40
		36	RT3	2	75908	0	HM,TA,JR		500/5,000		40
Soul Except w/LED Taillights	10-13	13	SQ1	1-1/4	24839	0	GP,JR	3593	200/2,000		40
Soul w/LED Taillights	10-13	13	SQ1	1-1/4	24839	0	GP,JR	3593	200/2,000		40
Soul Except w/LED Taillights	14-19	19	SQ1	1-1/4	24915	0	GP,JR	3593	200/2,000		40
Soul w/LED Taillights	14-19	19	SQ1	1-1/4	24915	0	GP,JR	3593	200/2,000		40
Soul Except GT Turbo & EV	20-21	22	SQ1	1-1/4	24985	0	JR,X	3592	200/2,000		30
Sportage	95-97	33	SQ2	1-1/4	36266†		†,HM	36051	300/3,500		20
Sportage	98-02	33	SQ2	1-1/4	36266†		†,HM	36051	300/3,500		20
Sportage 4 Cyl.	05-10	32	SQ2	1-1/4	36363	0	GP,JR	36051	300/3,500		25
		30	SQ3	2	75561	0	GP,JR		350/3,500		25
Sportage 6 Cyl.	05-10	32	SQ2	1-1/4	36363	0	GP,JR	36051	300/3,500		25
		30	SQ3	2	75561	0	GP,JR		350/3,500		25
Sportage	11-16	21	SQ2	1-1/4	36510	0	GP,JR	36051	300/3,500		20
		23	SQ3	2	75717	0	GP,JR		525/3,500	525/5,250	20
Sportage Except SX & SX Turbo	17-19	29	RT2	1-1/4	36593	0	GP,SV,JR,X	36071	300/3,500		30
Sportage Except SX & SX Turbo	17-21	29	SQ3	2	76074	0	GP,SV,JR		675/4,500	675/4,500	25
Sportage SX & SX Turbo	20-21					0	GP,SV,JR				25
Stinger	18-20	41	SQ1	1-1/4	24974	0	DU,FE,JR,KH	3593	200/2,000		90
Telluride	20-21	38	SQ3	2	76420	0	JR,X		500/5,000	750/6,000	30
<b>LAND ROVER</b>											
Discovery Sport	15-19										
LR2	08-14	23	RT3	2	75688	0	HM		400/4,000	400/4,000	20
Range Rover	05-14										
Range Rover	15										
Range Rover Evoque Excluding Autobiography	12-14	25	SQ3	2	75227	0	EP,GP,X,KH		675/4,500		45
Range Rover Evoque Excluding Autobiography	15-19	25	SQ3	2	75227	0	EP,GP,X,KH		675/4,500		45
Range Rover Sport	14										
Range Rover Sport	15-18	41	SQ4	2	75229	0	GP,SV		800/8,000		45
Range Rover Sport	20					0	GP,SV				45
Range Rover Velar	18-20	42	SQ3	2	76260	0	JR,TZ		900/6,000		80
<b>LEXUS</b>											
ES300 4 Dr.	97-01	33	SQ1	1-1/4	24563†	0	†,JR,HM	3593	200/2,000		30
		23	SQ2	1-1/4	36336		HM	36061	300/3,500		15
ES300 4 Dr.	02-03	23	SQ2	1-1/4	36336		HM	36061	300/3,500		15
ES330 4 Dr.	04-06	23	SQ2	1-1/4	36336		HM	36061	300/3,500		15
ES350	07-12	20	SQ2	1-1/4	36416		GP,JR,TA	36071	300/3,500		45
ES350 Except Hybrid	13-18	29	SQ2	1-1/4	36530		HM,JR	36071	300/3,500		40
GS350	13	32	SQ2	1-1/4	36535†	0	†,GP,EP,FE	36071	300/3,500		60
GS450h	13										
GX460	10-14	21	SQ3	2	75685	0			500/5,000	500/5,000	15
GX460 w/Factory 7-Way	10-11										
GX460	15	21	SQ3	2	75685	0			500/5,000	500/5,000	15
GX460	16-20	21	SQ3	2	75685	0			500/5,000	500/5,000	15
GX470	03-06	47	RT4	2	75155	0	LT,SI		600/6,000	730/7,300	35

- |   |   |
|---|---|
| † Available while supply lasts.   | KH Minor heat shield modification may be required.                          |
| DU Fascia removal required.   | LT Requires removal of factory hitch if equipped.                           |
| EP Fascia trimming may be required.                                     | SI Hitches produced before 07/31/07 are rated at 350/3500 WC & 500/5000 WD. |
| FE Fascia trimming may be required. Allow additional installation time. | SV Trimming or removal of under body appearance panel may be required.      |
| GP Hitch crosstube concealed behind bumper.                             | TA Trunk access required for hitch installation.                            |
| HM Hitch crosstube is visible beneath bumper.                           | TZ Requires replacement of the impact structure with hitch.                 |
| J Under vehicle spare tire stowage is retained.                         | X Minor fascia trimming required.   |
| JR Exhaust must be temporarily lowered for installation.                |   |

T-ONE						TOW HARNESS					4-FLAT WIRING				REQ. 4 FLAT WIRING		7-WAY HARDWIRE	BRAKE CONTROL HARNESS	IN	
PC	T-ONE	FN	IN	AMP	CP	PC	TOW HARN	FN	IN	AMP	CP	TYPE	ELEC	POS	CHOICE 1	CHOICE 2				6-WAY ADAPTER
<b>KIA (Continued)</b>																				
E16	118583	BN,CH	45	4,2,7,5	X								B,E	SUV1,2	119191	119148	20320	20321	20224	
E13	118269	BN,CH	20	4,2,7,5	X		22122	BN,CH	90	4,2,12		7-Way	B,E	SUV1,2	119191	119148	20320	20321	20224	
E16	118583	BN,CH	45	4,2,7,5	X								B,E	SUV5	119191	119148	20320	20321		
E13	118269	BN,CH	20	4,2,7,5	X		22122	BN,CH	90	4,2,12		7-Way	B,E	SUV5	119191	119148	20320	20321		
E14	118431	BN,CG	15	2,1,5	X								B	SUV1,2	119130	119178	20320	20321		
E17	118637	CH	45	2,1,5,6	X								B,E	SUV1,2	119191	119148	20320	20321		
E14	118431	BN,CG	15	2,1,5	X								B	SUV1,2	119130	119178	20320	20321		
E17	118637	CH	45	2,1,5,6	X								B,E	SUV1,2	119191	119148	20320	20321		
E19	118813		45	5,7,5	X								B,E	SUV1,2	119191	119148				
													B,E	SUV3,4	119191	119148				
		HG											B,E	SUV3,4	119191	119148				
													B	SUV1,2	119130	119178	20320	20321	20224	
E8	118401	BN,CG	5	2,1,5	X								B	SUV5	119130	119178	20320	20321	20224	
E25	118526	CH	45	4,2,7,5	X								B,E	SUV1,5	119191	119148	20320	20321	20224	
E17	118698	CH,BN	45	4,2,7,5	X								B,E	SUV1,5	119191	119148				
E17	118698	CH,BN	45	4,2,7,5	X								B,E	SUV1,5	119191	119148				
E17	118698	CH,BN	45	4,2,7,5	X								B,E	SUV1,5	119191	119148				
E18	118780	CH	45	5,7,5	X								B,E	PC3,4	119191	119148				
E11	118784	BN,CH	15	5,7,5	X								B,E	SUV5	119191	119148				
<b>LAND ROVER</b>																				
E16	118687	CH,BN	45	4,2,7,5	X								B,E	SUV1,2	119191	119148				
													B,E	SUV1,2	119191	119148	20320	20321	20224	
													A	SUV6	119148	20252				3035-P
E1	118681	BN	10	4,2,7,5	X	E8	118275	BN	20			7-Way	A	SUV6	119148	20252				3035-P
E1	118624	BN	10	7,5									A	SUV5	119148	20252				3035-P
													A	SUV5	119148	20252				3035-P
E1	118681		10	4,2,7,5	X								A	SUV6	119148	20252				
E1	118681		10	4,2,7,5	X	E8	118275	BN	20			7-Way	A	SUV6	119148	20252				
E1	118681		10	4,2,7,5	X	E8	118275	BN	20			7-Way	A	SUV6	119148	20252				3035-P
E16	118785	CH,BN	45	5,7,5	X								A,E	SUV1,2						
<b>LEXUS</b>																				
													E	PC3,4	119191	119148				
													E	PC3,4	119191	119148				
													E	PC3,4	119191	119148				
E16	118488	CH	45	2,1,5,6	X								B,E	PC3,4	119191	119148				
E17	118592	CH	45	2,1,5,6	X								B,E	PC3,4	119191	119148				
E17	118598	CH	45	2,1,5,6	X								B,E	PC3,4	119191	119148				
E17	118598	CH	45	2,1,5,6	X								B,E	PC3,4	119191	119148				
						E12	118262	BN,RD	10			Both	A	SUV5	119148	20252	20320			3040-P
E8	118384	BN,RD	5	7,5			74682	RD	10			Both	A	SUV5	119148	20252				
							85219	RD	5			7-Way								
													A	SUV5	119148	20252	20320			3040-P
													A	SUV5	119148	20252	20320			3040-P
													E	SUV1,2	119191	119148	20320	20321	20224	3040-P

**A** 2 wire system.  
**B** 3 wire system. Converter required.  
**BN** Exterior mounted plug on some or all models. May require an aftermarket electrical mounting box or bracket. (Sold separately)  
**CG** T-One incorporates circuit protected taillight converter.

**CH** T-One is equipped with circuit protected ModuLite® module.  
**E** ModuLite® required.  
**HG** T-One incorporates taillight converter.  
**RD** For vehicles equipped with factory tow package may require additional components or may be used as a replacement harness.

**RT2** Round Tube Class II 1-1/4"  
**RT3** Round Tube Class III 2"  
**RT4** Round Tube Class IV 2"  
**SQ1** Square Tube Class I  
**SQ2** Square Tube Class II  
**SQ3** Square Tube Class III  
**SQ4** Square Tube Class IV

# RECEIVER HITCH APPLICATIONS

RECEIVER HITCHES

MODEL / STYLE	YEAR	TRAILER HITCHES									
		PC	REC TYPE	REC SIZE	PART NO.	NO DRILL	FOOTNOTES	OPTIONAL DRAWBAR	WC (LBS.)	WD (LBS.)	IN
<i>For vehicles prior to 2001,</i>											
<b>LEXUS (Continued)</b>											
GX470 w/Factory 7-Way	03-06										
GX470	07-09	47	RT4	2	75155	0	LT,SI		600/6,000	730/7,300	35
HS250h Hybrid	10-12	23	SQ1	1-1/4	24860†	0	†,HM,JR,KH	3594	200/2,000		25
IS250	09-13										
IS250 Except Convertible	14-15	25	RT1	1-1/4	24923	0	KH,AE,HM	3594	200/2,000		35
IS350	09-13										
IS350	14	25	RT1	1-1/4	24923	0	KH,AE,HM	3594	200/2,000		35
IS350	15-20	25	RT1	1-1/4	24923	0	KH,AE,HM	3594	200/2,000		35
LX450	96-97	54	SQ3	2	41015	0	HM		500/5,000	750/6,000	30
LX470	98-99	45	SQ3	2	75095	0	GP		500/5,000	750/6,000	20
LX470	00	45	SQ3	2	75095	0	GP		500/5,000	750/6,000	20
LX470	01-02	45	SQ3	2	75095	0	GP		500/5,000	750/6,000	20
LX470	03-07	45	SQ3	2	75095	0	GP		500/5,000	750/6,000	20
NX200t	15-20	29	RT3	2	75956	0	JR,HM		350/3,500	400/4,000	35
NX300h	15-20										
RX300	99-00	39	SQ2	1-1/4	36271	0	HM	36051	300/3,500		15
		35	SQ3	2	41541	0	HM		300/3,500		15
RX300	01-03	39	SQ2	1-1/4	36271	0	HM	36051	300/3,500		15
		35	SQ3	2	41541	0	HM		300/3,500		15
RX330	04-06	32	RT3	2	75153	0	HM		350/3,500		20
RX350	07-09	32	RT3	2	75153	0	HM		350/3,500		20
RX350 Except F Sport	10-12	29	SQ3	2	75676	0	GP,JR,JV		400/4,000	500/5,000	30
RX350 Except F Sport	13-15	29	SQ3	2	75676	0	GP,JR,JV		400/4,000	500/5,000	30
RX350	16-19	26	SQ3	2	75540	0	GP,SV		675/4,500	675/4,500	20
RX350	16-20	76905	SQ3	2	76905	0	GP,SV,Ø		450/4,500		20
RX350L	18-20	42	SQ3	2	76156	0	HM,SV		500/5,000		30
		42	SQ3	2	76336	0	EP,JR,X		500/5,000		45
		36	RT4	2	75896	0	HM,SV		900/6,000	900/8,000	30
RX400h Hybrid	06-08	32	RT3	2	75153	0	HM		350/3,500		20
RX450h Hybrid	10-15	29	SQ3	2	75676	0	GP,JR,JV		400/4,000	500/5,000	30
RX450h	16-19	26	SQ3	2	75540	0	GP,SV		675/4,500	675/4,500	40
<b>LINCOLN</b>											
Aviator	03-04	47	RT3	2	75132	0	HM,KL		500/5,000	800/8,000	20
Aviator w/Factory 7-Way	03-05										
Aviator	05	47	RT3	2	75132	0	HM,KL		500/5,000	800/8,000	20
Aviator	20										
Continental	88-02	35	SQ1	1-1/4	24699	0	GP,JR	3592	200/2,000		20
		35	SQ2	1-1/4	36252	0	GP,JR	36063	300/3,500		20
Continental	17-20	27	SQ2	1-1/4	36596†	0	GP,JR,KH,SV	36071	300/3,500		50
Mark LT (Built After 8/2005)	06-08	25	SQ4	2	75506	0	CP,HM		600/6,000	1,000/10,000	20
		40	SQ5	2	41933	0	@,CP,HM		1,200/12,000	1,400/14,000	20
Mark LT (Built Before 8/2005)	06	54	RT4	2	41549	0	HM,KM		600/6,000	1,000/10,000	30
		50	RT4	2	75156	0	HM,KM		600/6,000	800/8,000	30
Mark LT w/Factory 7-Way	06-08										
Mark VIII	93-98	41	SQ2	1-1/4	36179	0	GP,JR	36061	300/3,500		40
MKC	15-17	37	SQ2	1-1/4	36586	0	GP,JR	36061	300/3,500		45
		34	SQ3	2	75943	0	GP,JR		525/3,500		45
MKC	18-19	37	SQ2	1-1/4	36586	0	GP,JR	36061	300/3,500		45
		34	SQ3	2	75943	0	GP,JR		525/3,500		45
MKS	09-12	30	SQ2	1-1/4	36477	0	GP,JR	36051	300/3,500		30

- Ø Exhaust must be temporarily lowered for installation.
- SV Rubber air deflector/fascia must be removed or trimmed to install hitch.
- @ Ultra Frame ball mount must be used to achieve maximum weight carrying rating.
- † Available while supply lasts.
- AE Requires temporary removal of muffler during installation.
- CP Fits all models without factory installed receiver.
- EP Fascia trimming may be required.
- GP Hitch crosstube concealed behind bumper.
- HM Hitch crosstube is visible beneath bumper.
- JR Exhaust must be temporarily lowered for installation.
- JV Rubber air deflector/fascia must be removed or trimmed to install hitch.
- KH Minor heat shield modification may be required.
- KL Hitch is designed to attach beneath the OEM hitch.
- KM Does not work with models originally equipped with OEM hitch.
- LT Requires removal of factory hitch if equipped.
- SI Hitches produced before 07/31/07 are rated at 350/3500 WC & 500/5000 WD.
- SV Trimming or removal of under body appearance panel may be required.
- X Minor fascia trimming required.

T-ONE						TOW HARNESS					4-FLAT WIRING				REQ. 4 FLAT WIRING		7-WAY HARDWARE	BRAKE CONTROL HARNESS	IN		
PC	T-ONE	FN	IN	AMP	CP	PC	TOW HARN	FN	IN	AMP	CP	TYPE	ELEC	POS	CHOICE 1	CHOICE 2				6-WAY ADAPTER	7-WAY ADAPTER
<b>LEXUS (Continued)</b>																					
								RD					E	SUV1,2	119148	20252					
													E	SUV1,2	119191	119148	20320	20321	20224	3040-P	5
E17	118510	CH	20	2.1,5.6	X								B,E	PC3,4	119191	119148					
E16	118609	CH	45	2.1,5.6	X								B,E	PC3,4	119191	119148					
													B,E	PC3,4	119191	119148					
E16	118609	CH	45	2.1,5.6	X								B,E	PC3,4	119191	119148					
E16	118609	CH	45	2.1,5.6	X								B,E	PC3,4	119191	119148					
													B,E	PC3,4	119191	119148					
E7	118357	BN,HG	5	2.1,5									B	SUV5	119130	119178	20320	20321	20224		
E7	118365	BN,HG	5	2.1,5									B	SUV6	119130	119178	20320	20321	20224		
													B	SUV6	119130	119178	20320	20321	20224		
						E3	118245	BN,RD	10	7.5		4-Flat	B	SUV6	119130	119178	20320	20321	20224		
						E3	118245	BN,RD	10	7.5		4-Flat	B	SUV6	119130	119178	20320	20321	20224	3040-P	5
E17	118652	CH	45	4.2,7.5	X								B,E	SUV3,4	119191	119148					
E17	118652	CH	45	4.2,7.5	X								B,E	SUV3,4	119191	119148					
													E,Z	SUV1,2	119191	119148	20320	20321	20224		
						E3	118245	BN,RD	10	7.5		4-Flat	E,Z	SUV1,2	119191	119148	20320	20321	20224		
E17	118478	CH	45	2.1,5.6	X								B,E	SUV1,2	119191	119148	20320	20321	20224		
E17	118478	CH	45	2.1,5.6	X								B,E	SUV1,2	119191	119148	20320	20321	20224		
E17	118478	CH	45	2.1,5.6	X	E3	118252	BN,RD	5	7.5		4-Flat	B,E	SUV3,4	119191	119148	20320	20321	20224		
E13	118255	CH,BN	20	2.1,5.6	X	E3	118252	BN,RD	5	7.5		4-Flat	B,E	SUV3,4	119191	119148	20320	20321	20224		
E13	118255	CH,BN	20	2.1,5.6	X	E3	118252	BN,RD	5	7.5		4-Flat	B,E	SUV3,4	119191	119148					
						E3	118252	BN,RD	5	7.5		4-Flat	B,E	SUV3	119191	119148					
		BN,CH				E3	118252	BN,RD	5	7.5		4-Flat									
													B,E	SUV1,2	119191	119148	20320	20321	20224		
E13	118255	BN,CH	20	2.1,5.6	X	E3	118252	BN,RD	5	7.5		4-Flat	B,E	SUV3,4	119191	119148	20320	20321	20224		
E13	118255	BN,CH	20	2.1,5.6	X	E3	118252	BN,RD	5	7.5		4-Flat	B,E	SUV3,4	119191	119148					
<b>LINCOLN</b>																					
E5	118344	BN	10	7.5									A	SUV1,2	119148	20252	20320	20321	20224		
							74682 85219	RD RD	10 5			Both 7-Way	A	SUV6	119148	20252				3035-P	5
													A	SUV1,2	119148	20252	20320	20321	20224		
E18	118817	BN,CH	45	5.7,5	X								B,E	SUV3,4							
													A,E	PC3,4	119191	119148					
E18	118682	CH	45	4.2,7.5	X								A,E	PC3,4							
													A	PU3	119148	20252	20320	20321	20224	3035-P	5
													A	PU3	119148	20252	20320	20321	20224	3035-P	5
							74682 85219	RD RD	10 5			Both 7-Way	A	PU3	119148	20252				3035-P	5
													E	PC3,4	119191	119148					
E14	118284	CH	45	5.7,5									B,E	SUV1,2	119191	119148	20320	20321	20224		
													B,E	SUV1,2	119191	119148	20320	20321	20224		
E18	118471	CH	45	2.1,5.6	X								B,E	PC3,4	119191	119148					

**A** 2 wire system.  
**B** 3 wire system. Converter required.  
**BN** Exterior mounted plug on some or all models. May require an aftermarket electrical mounting box or bracket. (Sold separately)  
**CH** T-One is equipped with circuit protected ModuLite® module.

**E** ModuLite® required.  
**HG** T-One incorporates taillight converter.  
**RD** For vehicles equipped with factory tow package may require additional components or may be used as a replacement harness.  
**Z** May be equipped with Factory Tow Prep Plug. Determine at time of installation.

**RT1** Round Tube Class I 1-1/4"  
**RT3** Round Tube Class III 2"  
**RT4** Round Tube Class IV 2"  
**SQ1** Square Tube Class I  
**SQ2** Square Tube Class II  
**SQ3** Square Tube Class III  
**SQ4** Square Tube Class IV  
**SQ5** Square Tube Class V



# RECEIVER HITCH APPLICATIONS

RECEIVER HITCHES

MODEL / STYLE	YEAR	TRAILER HITCHES									
		PC	REC TYPE	REC SIZE	PART NO.	NO DRILL	FOOTNOTES	OPTIONAL DRAWBAR	WC (LBS.)	WD (LBS.)	IN
<i>For vehicles prior to 2001,</i>											
<b>LINCOLN (Continued)</b>											
MKT	10-11	45	RT3	2	75679	0	HM,JR		400/4,000	400/4,000	30
MKT w/Factory 7-Way	10-12										
MKT	12-14	45	RT3	2	75679	0	HM,JR		400/4,000	400/4,000	30
MKT	15-20	45	RT3	2	75679	0	HM,JR		400/4,000	400/4,000	30
MKX	07-10	33	SQ2	1-1/4	36447	0	GP,JR,KH	36051	300/3,500		45
		20	SQ3	2	75992		GP,KH,JR		400/4,000	400/4,000	55
MKX	11-15	20	SQ3	2	75992		GP,KH,JR		400/4,000	400/4,000	55
MKX	16-18	35	SQ3	2	75234	0	GP,TA,SV,JR,TW		675/4,500	675/4,500	45
MKZ	07-09	35	SQ1	1-1/4	24775		GP,JR,TA	3592	200/2,000		45
MKZ	10-12	25	SQ1	1-1/4	24865	0	GP,JR	3594	200/2,000		20
MKZ Except 3.0 Liter Engine	13-19	19	SQ1	1-1/4	24897	0	HM,SV	3594	200/2,000		20
Nautilus	19	35	SQ3	2	75234	0	GP,TA,SV,JR,TW		675/4,500	675/4,500	45
Nautilus	20	35	SQ3	2	75234	0	GP,TA,SV,JR,TW		675/4,500	675/4,500	45
Navigator	98-02	42	SQ3	2	75071	0	GP		500/5,000	800/8,000	15
		41	SQ4	2	41527	0	GP		600/6,000	1,000/10,000	15
Navigator w/Factory 7-Way	98-12										
Navigator	03										
Navigator w/Factory 7-Way	13-14										
Navigator w/Factory 7-Way	15-20										
Town Car	81-11	39	SQ2	1-1/4	36116		CA,GP,HA	36063	300/3,500		30
Town Car	90-11	38	SQ3	2	41116		AB,CA,EO,GP,HA		350/3,500	750/6,000	30
Zephyr	06	35	SQ1	1-1/4	24775		GP,JR,TA	3592	200/2,000		45
<b>MAZDA</b>											
2	11-14	28	SQ1	1-1/4	24869	0	GP,JR	3593	200/2,000		30
3 4 Dr. Sedan, Except w/Grand Touring LED Taillights	04-09	27	SQ1	1-1/4	24816		GP	3592	200/2,000		35
3 5 Dr. Hatchback, Except w/Grand Touring LED Taillights	04-09	27	SQ1	1-1/4	24816		GP	3592	200/2,000		35
3 4 Dr. Sedan, w/Grand Touring LED Taillights	06-09	27	SQ1	1-1/4	24816		GP	3592	200/2,000		35
3 5 Dr. Hatchback, w/Grand Touring LED Taillights	06-09	27	SQ1	1-1/4	24816		GP	3592	200/2,000		35
3 4 Dr. Sedan, Except w/Grand Touring LED Taillights	10-13	25	SQ1	1-1/4	24842	0	GP	3594	200/2,000		20
3 4 Dr. Sedan, w/Grand Touring LED Taillights	10-13	25	SQ1	1-1/4	24842	0	GP	3594	200/2,000		20
3 5 Dr. Hatchback, Except w/Grand Touring LED Taillights	10-13	20	SQ1	1-1/4	24843	0	GP	3594	200/2,000		15
3 5 Dr. Hatchback, w/Grand Touring LED Taillights	10-13	20	SQ1	1-1/4	24843	0	GP	3594	200/2,000		15
3 4 Dr. Sedan	14-18	25	RT1	1-1/4	24912	0	HM,JR	3593	200/2,000		15
3 5 Dr. Hatchback	14-18	24	SQ1	1-1/4	24914	0	HM,JR	3593	200/2,000		30
3 Hatchback	19-20						GP,SV				
		17	SQ1	1-1/4	24984†		GP,JR,KH,SV	3593	200/2,000		40
3 Sedan	19-20	24	SQ1	1-1/4	24982	0	GP,SV	3593	200/2,000		40
5	06-10	20	SQ1	1-1/4	24773		GP	3593	200/2,000		25
5	12-20	24	SQ1	1-1/4	24874		GP	3592	200/2,000		25
6 4 Dr. Sedan	03-08	35	SQ1	1-1/4	24775		GP,JR,TA	3594	200/2,000		45
6 5 Dr. Hatchback	04-08	35	SQ1	1-1/4	24775		GP,JR,TA	3594	200/2,000		45
6 Sport Wagon	04-07	16	SQ1	1-1/4	24785†	0	†,TA,GP	3593	200/2,000		25
6 4 Dr. Sedan	09-13	25	SQ1	1-1/4	24832		GP,JR	3592	200/2,000		30
6 4 Dr. Sedan	14-20	25	SQ1	1-1/4	24908	0	HM	3594	200/2,000		30
B2300	94-97	24	SQ3	2	75082		EG,SD,GP		400/4,000	750/6,000	20
		50	SQ3	2	37136	0			500/5,000	600/6,000	40
B2300	02-09	24	SQ3	2	75082		SD,V,GP		400/4,000	750/6,000	20
		50	SQ3	2	37136	0			500/5,000	600/6,000	40

- † Available while supply lasts.
- AB Requires four (4) 3/8 in. spacer blocks (#01077011) for installation. (Sold separately)
- CA Models with dual exhaust require exhaust modification.
- EG Relocation of spare tire bracket is not required. NOTE: 19mm open end style wrench must be purchased to allow removal of spare tire after hitch installation.
- EO Requires longer ball mount.
- GP Hitch crosstube concealed behind bumper.
- HA External dress panel beneath 95-97 and 03-05 vehicles must be removed for hitch installation.
- HM Hitch crosstube is visible beneath bumper.

- JR Exhaust must be temporarily lowered for installation.
- KH Minor heat shield modification may be required.
- SD Hitches produced before 07/21/06 are rated at 350/3500 WC.
- SV Trimming or removal of under body appearance panel may be required.
- TA Trunk access required for hitch installation.
- TW Receiver hitch may limit hands-free liftgate sensor range
- V For vehicles with factory installed step bumpers only.

RECEIVER HITCHES

T-ONE						TOW HARNESS						4-FLAT WIRING				REQ. 4 FLAT WIRING		7-WAY	BRAKE CONTROL HARNESS	IN		
PC	T-ONE	FN	IN	AMP	CP	PC	TOW HARN	FN	IN	AMP	CP	TYPE	ELEC	POS	CHOICE 1	CHOICE 2	6-WAY ADAPTER	7-WAY ADAPTER	HARDWIRE			
<b>LINCOLN (Continued)</b>																						
E18	118507	CH	45	2.1,5.6	X								A,E	SUV3,4	119191	119148	20320	20321	20224	3035-P	5	
							74682 85219	RD RD	10 5			Both 7-Way	A	SUV6	119148	20252						
E18	118507	CH	45	2.1,5.6	X								A,E	SUV3,4	119191	119148	20320	20321	20224	3036-P	20	
													A,E	SUV3,4	119191	119148	20320	20321	20224	3036-P	20	
E17	118551	CH	45	4.2,7.5	X								N	SUV1,2		119251	20320	20321				
E23	118519	CH	45	4.2,7.5	X								N	SUV1,2		119251	20320	20321				
E18	118682	CH	45	4.2,7.5	X								A,E	SUV1,2	119191	119148						
E17	118502	CH	45	2.1,5.6	X								B,E	PC3,4	119191	119148						
E21	118543	CH,TR	45	2.1,5.6	X								B,E	PC3,4	119191	119148						
E17	118591	CH	45	2.1,5.6	X								A,E	PC1,2	119191	119148						
E23	118803	CH,BN	45	5.7,5	X								B,E	SUV1,2	119191	119148						
													B,E	SUV1,2	119191	119148						
E5	118344	BN	10	7.5									A	SUV1,2	119148	20252	20320	20321	20224	3035-P	5	
							74682 85219	RD RD	10 5			Both 7-Way	A	SUV6	119148	20252					3035-P	5
						E5	118344	BN	10	7.5		4-Flat	A	SUV1,2	119148	20252						
							74682 85219	RD RD	10 5			Both 7-Way	A	SUV6	119148	20252					3034-P	20
							74682 85219	RD RD	10 5			Both 7-Way	A	SUV6	119148	20252					3036-P	20
													A,E	PC3,4	119191	119148	20320	20321	20224			
													A,E	PC3,4	119191	119148	20320	20321	20224			
E17	118502	CH	45	2.1,5.6	X								B,E	PC3,4	119191	119148						
<b>MAZDA</b>																						
E17	118520	CH	45	2.1,5.6	X								B,E	PC3,4	119191	119148						
E14	118420	CG	15	2.1,5	X								B	PC3,4	119130	119178						
E14	118420	CG	15	2.1,5	X								B	PC3,4	119130	119178						
													B,E	PC3,4	119191	119148						
													B,E	PC3,4	119191	119148						
E14	118420	CG	15	2.1,5	X								B	PC3,4	119130	119178						
													B,E	PC3,4	119191	119148						
E14	118420	CG	15	2.1,5	X								B	PC3,4	119130	119178						
													B,E	PC3,4	119191	119148						
E16	118405	CH	45	2.1,5.6	X								B,E	PC3,4	119191	119148						
E16	118405	CH	45	2.1,5.6	X								B,E	PC3,4	119191	119148						
E16	118808	CH	45	5.7,5	X								B,E	PC3,4	119191	119148						
E16	118808	CH	45	5.7,5	X								B,E	PC3,4	119191	119148						
E17	118520	CH	45	2.1,5.6	X								B,E	PC3,4	119191	119148		20321				
E17	118520	CH	45	2.1,5.6	X								B,E	PC3,4	119191	119148		20321				
E16	118405	CH	45	2.1,5.6	X								B,E	PC3,4	119191	119148						
E16	118405	CH	45	2.1,5.6	X								B,E	PC3,4	119191	119148						
													B,E	PC3,4	119191	119148						
E19	118483	CH	45	2.1,5.6	X								B,E	PC3,4	119191	119148						
E17	118587	CH	45	2.1,5.6	X								B,E	PC3,4	119191	119148						
E13	118325	BN,HG	5	2.1,5									B	PU3	119130	119178	20320	20321	20224			
E13	118325	BN,HG	5	2.1,5									B	PU3	119130	119178	20320	20321	20224			

- A** 2 wire system.
- B** 3 wire system. Converter required.
- BN** Exterior mounted plug on some or all models. May require an aftermarket electrical mounting box or bracket. (Sold separately)
- CG** T-One incorporates circuit protected taillight converter.
- CH** T-One is equipped with circuit protected ModuLite® module.
- E** ModuLite® required.
- HG** T-One incorporates taillight converter.
- N** DO NOT cut or splice vehicle wiring. Only use approved T-One or see auto dealer for trailer tow wiring kit.
- RD** For vehicles equipped with factory tow package may require additional components or may be used as a replacement harness.
- TR** Trimming or Modification of the vehicle connector may be required.

- RT1** Round Tube Class I 1-1/4"
- RT3** Round Tube Class III 2"
- SQ1** Square Tube Class I
- SQ2** Square Tube Class II
- SQ3** Square Tube Class III
- SQ4** Square Tube Class IV

RECEIVER HITCH APPLICATIONS

MODEL / STYLE	YEAR	TRAILER HITCHES									
		PC	REC TYPE	REC SIZE	PART NO.	NO DRILL	FOOTNOTES	OPTIONAL DRAWBAR	WC (LBS.)	WD (LBS.)	IN
<i>For vehicles prior to 2001,</i>											
<b>MAZDA (Continued)</b>											
B2500	98-01	24	SQ3	2	75082	0	SD,V,GP		400/4,000	750/6,000	20
		50	SQ3	2	37136	0			500/5,000	600/6,000	40
B3000	94-97	24	SQ3	2	75082		EG,SD,GP		400/4,000	750/6,000	20
		50	SQ3	2	37136	0			500/5,000	600/6,000	40
B3000	98-01	24	SQ3	2	75082		SD,V,GP		400/4,000	750/6,000	20
		50	SQ3	2	37136	0			500/5,000	600/6,000	40
B3000	02-08	24	SQ3	2	75082		SD,V,GP		400/4,000	750/6,000	20
		50	SQ3	2	37136	0			500/5,000	600/6,000	40
B4000	94-97	24	SQ3	2	75082		EG,SD,GP		400/4,000	750/6,000	20
		50	SQ3	2	37136	0			500/5,000	600/6,000	40
B4000	98-01	24	SQ3	2	75082		SD,V,GP		400/4,000	750/6,000	20
		50	SQ3	2	37136	0			500/5,000	600/6,000	40
B4000	02-09	24	SQ3	2	75082		SD,V,GP		400/4,000	750/6,000	20
		50	SQ3	2	37136	0			500/5,000	600/6,000	40
CX-3	16-20	33	SQ1	1-1/4	24933	0	JR,GP	3593	200/2,000		25
CX-30	20	30	SQ1	1-1/4	24995		GP,JR,KH	3593	200/2,000		45
CX-5	13-15	35	SQ3	2	75748†	0	†,GP,JR		525/3,500		40
CX-5	13-16	23	SQ2	1-1/4	36602†	0	†,GP,JR	36061	300/3,500		30
		23	SQ2	1-1/4	36601	0	GP,JR	36051	350/3,500		30
		24	SQ3	2	76138	0	GP,JR		675/4,500		20
CX-5 Except Diesel	17-19	23	SQ2	1-1/4	36601	0	GP,JR	36051	350/3,500		20
CX-5 Except Diesel	17-20	24	SQ3	2	76138	0	GP,JR		675/4,500		20
CX-5 Diesel	19-20	50	SQ3	2	76322	0	HM,JR,DU,SV		350/3,500		30
CX-7	07-12	34	SQ2	1-1/4	36419	0	GP,JR	36061	300/3,500		40
		29	SQ3	2	75512	0	GP,JR		350/3,500		40
CX-9	07-15	37	RT3	2	75531	0	HM		400/4,000	400/4,000	15
CX-9	16-17	24	SQ2	1-1/4	36772	0	SV,JR,GP	36071	300/3,500		30
		24	SQ3	2	76020	0	SV,JR,GP		675/4,500	675/4,500	30
CX-9	18-20	24	SQ2	1-1/4	36772	0	SV,JR,GP	36071	300/3,500		30
		24	SQ3	2	76020	0	SV,JR,GP		675/4,500	675/4,500	30
MPV Except w/Ground Effects	00-03	45	SQ3	2	75108	0			350/3,500	500/5,000	15
MPV w/Ground Effects	00-03	46	RT3	2	75507	0	HM,JR		350/3,500	500/5,000	20
MPV	04-06	46	RT3	2	75507	0	HM,JR		350/3,500	500/5,000	20
Protege5	02-03	36	SQ1	1-1/4	24714†	0	†,JR,GP	3593	200/2,000		15
Tribute	01-03	36	RT3	2	75118	0	HM,KH		350/3,500	500/5,000	35
		50	SQ3	2	37136		KH		500/5,000	600/6,000	60
Tribute	04	36	RT3	2	75118	0	HM		350/3,500	500/5,000	35
		50	SQ3	2	37136				500/5,000	600/6,000	60
Tribute	05-06	22	SQ2	1-1/4	36501		HM	36051	300/3,500		20
		34	RT3	2	75751	0	HM		675/4,500	675/5,250	25
Tribute	08-11	22	SQ2	1-1/4	36501		HM	36051	300/3,500		20
		34	RT3	2	75751	0	HM		675/4,500	675/5,250	25
<b>MERCEDES-BENZ</b>											
C300 Sedan, Except Models w/Sport Package	15-20	27	SQ1	1-1/4	24953	0	DU,GP,SV	3593	200/2,000		75
GLA250	15-20	36	SQ3	2	75223	0	GP,JR,TA,KH,FE		350/3,500		90
GLC250	17-20										
GLC300 SUV, Except P03 Premium Package	16-20	27	SQ3	2	76082	0	JR,GP,KH,TA,AA,DU,T W		675/4,500		65
GLC300 SUV, with P03 Premium Package	16-20	27	SQ3	2	76082	0	JR,GP,KH,TA,AA,DU,T W		675/4,500		65
GLC350e	18-20										
GLC43 AMG	17-20										
GLC63 AMG	18-20										

† Available while supply lasts.  
 AA Requires temporary removal of bumper during installation.  
 DU Fascia removal required.  
 EG Relocation of spare tire bracket is not required. NOTE: 19mm open end style wrench must be purchased to allow removal of spare tire after hitch installation.  
 FE Fascia trimming may be required. Allow additional installation time.  
 GP Hitch crosstube concealed behind bumper.  
 HM Hitch crosstube is visible beneath bumper.

JR Exhaust must be temporarily lowered for installation.  
 KH Minor heat shield modification may be required.  
 SD Hitches produced before 07/21/06 are rated at 350/3500 WC.  
 SV Trimming or removal of under body appearance panel may be required.  
 TA Trunk access required for hitch installation.  
 TW Receiver hitch may limit hands-free liftgate sensor range  
 V For vehicles with factory installed step bumpers only.

T-ONE					TOW HARNESS					4-FLAT WIRING				REQ. 4 FLAT WIRING		7-WAY HARDWIRE	BRAKE CONTROL HARNESS	IN	
PC	T-ONE	FN	IN	AMP	CP	PC	TOW HARN	FN	IN	AMP	CP	TYPE	ELEC	POS	CHOICE 1				CHOICE 2
<b>MAZDA (Continued)</b>																			
E13	118325	BN,HG	5	2.1,5		E3	118241	BN,RD	5	7.5		4-Flat	B	PU3	119130	119178	20320	20321	20224
E13	118325	BN,HG	5	2.1,5									B	PU3	119130	119178	20320	20321	20224
E13	118325	BN,HG	5	2.1,5		E3	118241	BN,RD	5	7.5		4-Flat	B	PU3	119130	119178	20320	20321	20224
E13	118325	BN,HG	5	2.1,5									B	PU3	119130	119178	20320	20321	20224
E13	118325	BN,HG	5	2.1,5									B	PU3	119130	119178	20320	20321	20224
E13	118325	BN,HG	5	2.1,5		E3	118241	BN,RD	5	7.5		4-Flat	B	PU3	119130	119178	20320	20321	20224
E13	118325	BN,HG	5	2.1,5									B	PU3	119130	119178	20320	20321	20224
E14	118718	CH	45	5,7,5	X								B,E	SUV3,4	119191	119148			
													B,E	SUV3,4	119191	119148			
E19	118563	CH	45	4,2,7,5	X								B,E	SUV3,4	119191	119148	20320	20321	20224
E19	118563	CH	45	4,2,7,5	X								B,E	SUV3,4	119191	119148			
E15	118746	CH	45	5,7,5	X										119191	119148			
E15	118746	CH	45	5,7,5	X										119191	119148	20320	20321	20224
E15	118746	CH	45	5,7,5	X								B,E	SUV3,4	119191	119148	20320	20321	20224
E16	118405	CH	45	2.1,5,6	X	E12	118249	RD	5	2.1,4,2	X	4-Flat	B,E	SUV3,4	119191	119148	20320	20321	20224
E17	118520	CH	45	2.1,5,6	X								B,E	SUV3,4	119191	119148	20320	20321	20224
						E9	118278	CH	25			4-Flat	B,E	SUV3,4	119191	119148			
													B	SUV1,2	119130	119178	20320	20321	20224
													B	SUV1,2	119130	119178	20320	20321	20224
													B	SUV1,2	119130	119178	20320	20321	20224
													B	PC1,2	119130	119178			
E12	118343	HG,RW	10	2.1,5									B	SUV1,2	119130	119178	20320	20321	20224
													B,E	SUV1,2	119191	119148	20320	20321	20224
E17	118426	BN,CH	45	2.1,4,2	X								B,E	SUV1,2	119191	119148	20320	20321	20224
E17	118551	CH	45	4,2,7,5	X	E2	118251	BN,QP,RD	5	7.5		4-Flat	A	SUV1,2	119148	20252	20320	20321	20224
<b>MERCEDES-BENZ</b>																			
													A,E	PC3,4					
													B,E	SUV1,2	119191	119148			
E16	118747	CH	45	5,7,5	X								B,E	SUV1,2	119191	119148			
E16	118747	CH	45	5,7,5	X								A,E,NZ	SUV1,2	119191	119148			
													A,E,NZ	SUV1,2	119191	119148			
E16	118747	CH	45	5,7,5	X								B,E	SUV1,2	119191	119148			
E16	118747	CH	45	5,7,5	X								B,E	SUV1,2	119191	119148			
E16	118747	CH	45	5,7,5	X								B,E	SUV1,2	119191	119148			

- A** 2 wire system.
- B** 3 wire system. Converter required.
- BN** Exterior mounted plug on some or all models. May require an aftermarket electrical mounting box or bracket. (Sold separately)
- CH** T-One is equipped with circuit protected Modulite® module.
- E** Modulite® required.
- HG** T-One incorporates taillight converter.
- NZ** DO NOT use ZCI with this application. Please use other approved kit or contact dealer.
- QP** Will not fit vehicles with backup sensors built into rear bumper.
- RD** For vehicles equipped with factory tow package may require additional components or may be used as a replacement harness.
- RW** On some models it may require an upgraded flasher or Modulite®.

- RT3** Round Tube Class III 2"
- SQ1** Square Tube Class I
- SQ2** Square Tube Class II
- SQ3** Square Tube Class III
- SQ4** Square Tube Class IV

# RECEIVER HITCH APPLICATIONS

RECEIVER HITCHES

M - MERCEDES-BENZ

MODEL / STYLE	YEAR	TRAILER HITCHES									
		PC	REC TYPE	REC SIZE	PART NO.	NO DRILL	FOOTNOTES	OPTIONAL DRAWBAR	WC (LBS.)	WD (LBS.)	IN
<i>For vehicles prior to 2001,</i>											
<b>MERCEDES-BENZ (Continued)</b>											
GLK350	10-12	56	RT3	2	75774	0	HM		600/4,000		20
GLK350	13-15	56	RT3	2	75774	0	HM		600/4,000		20
Metris	16-20	32	RT3	2	76015	0	HM		750/5,000	750/6,000	20
ML320	98-02	34	SQ3	2	75087	0			500/5,000	500/5,000	30
ML320 CDI Except w/Adaptive Variable Suspension	07-08	50	SQ3	2	75376		MB,TA		350/3,500	400/4,000	50
ML350	03-05	34	SQ3	2	75087	0			500/5,000	500/5,000	30
ML350 Except w/Adaptive Variable Suspension	06-09	50	SQ3	2	75376		MB,TA		350/3,500	400/4,000	50
ML350 Except BlueTEC or w/Adaptive Variable Suspension	10-11	50	SQ3	2	75376		MB,TA		350/3,500	400/4,000	50
ML350 Except BlueTEC & w/Active Curve System	12-20	54	SQ3	2	75874†	0	†,GP,JP,KA,MB		525/3,500	525/4,000	30
ML350 Except w/Active Curve System	12-20	52	SQ4	2	76141	0	GP,JP,SV,KH		700/7,000	700/7,000	40
ML430	99-01	34	SQ3	2	75087	0			500/5,000	500/5,000	30
ML450 Hybrid, Except w/Adaptive Variable Suspension	10-11	50	SQ3	2	75376		MB,TA		350/3,500	400/4,000	50
ML500	02-05	34	SQ3	2	75087	0			500/5,000	500/5,000	30
ML500 Except w/Adaptive Variable Suspension	06-07	50	SQ3	2	75376		MB,TA		350/3,500	400/4,000	50
ML500 Except w/Adaptive Variable Suspension	08-11	50	SQ3	2	75376		MB,TA		350/3,500	400/4,000	50
R320 BlueTEC	09	43	SQ3	2	75470	0	SC		350/3,500		25
R320 BlueTEC w/Panoramic Roof Package	09	43	SQ3	2	75470		SC		350/3,500		50
R320 CDI	07-08	43	SQ3	2	75470	0	SC		350/3,500		25
R320 CDI w/Panoramic Roof Package	07-08	43	SQ3	2	75470		SC		350/3,500		50
R350	06-12	43	SQ3	2	75470	0	SC		350/3,500		25
R350 w/Panoramic Roof Package	06-12	43	SQ3	2	75470		SC		350/3,500		50
R500	06-07	43	SQ3	2	75470	0	SC		350/3,500		25
R500 w/Panoramic Roof Package	06-07	43	SQ3	2	75470		SC		350/3,500		50
Sprinter 144" & 170" Wheelbase, Except w/Factory Step Bumper	07-11	53	SQ4	2	75549	0	HM,UL		600/6,000	750/7,500	20
Sprinter w/Factory Step Bumper Excluding Models w/30-3/8" Frame Width	07-11	52	SQ3	2	75601	0	HM		500/5,000	750/7,500	30
Sprinter 144" & 170" Wheelbase, Except w/Factory Step Bumper	12-13	53	SQ4	2	75549	0	HM,UL		600/6,000	750/7,500	20
Sprinter w/Factory Step Bumper Excluding Models w/30-3/8" Frame Width	12-13	52	SQ3	2	75601	0	HM		500/5,000	750/7,500	30
Sprinter 144" & 170" Wheelbase, Except w/Factory Step Bumper	14-18	53	SQ4	2	75549	0	HM,UL		600/6,000	750/7,500	20
Sprinter w/Factory Step Bumper Excluding Models w/30-3/8" Frame Width	14-18	52	SQ3	2	75601	0	HM		500/5,000	750/7,500	30
Sprinter	18										
Sprinter 2500	07-09										
Sprinter 2500 144" & 170" Wheelbase, Except w/Factory Step Bumper	10-11	53	SQ4	2	75549	0	HM,UL		600/6,000	750/7,500	20
Sprinter 2500 w/Factory Step Bumper Excluding Models w/30-3/8" Frame Width	10-11	52	SQ3	2	75601	0	HM		500/5,000	750/7,500	30
Sprinter 2500 144" & 170" Wheelbase, Except w/Factory Step Bumper	12-13	53	SQ4	2	75549	0	HM,UL		600/6,000	750/7,500	20
Sprinter 2500 144" & 170" Wheelbase, Except w/Factory Step Bumper	12-20	53	SQ4	2	75549	0	HM,UL		600/6,000	750/7,500	20
Sprinter 2500 w/Factory Step Bumper Excluding Models w/30-3/8" Frame Width	12-13	52	SQ3	2	75601	0	HM		500/5,000	750/7,500	30
Sprinter 2500 w/Factory Step Bumper Excluding Models w/30-3/8" Frame Width	12-20	52	SQ3	2	75601	0	HM		500/5,000	750/7,500	30
Sprinter 3500	07-09										
Sprinter 3500 144" & 170" Wheelbase, Except w/Factory Step Bumper	10-11	53	SQ4	2	75549	0	HM,UL		600/6,000	750/7,500	20
Sprinter 3500 w/Factory Step Bumper Excluding Models w/30-3/8" Frame Width	10-11	52	SQ3	2	75601	0	HM		500/5,000	750/7,500	30

† Available while supply lasts.

GP Hitch cross-tube concealed behind bumper.

HM Hitch cross-tube is visible beneath bumper.

JR Exhaust must be temporarily lowered for installation.

KA Gasoline engine models only.

KH Minor heat shield modification may be required.

MB Will not fit models equipped with air suspension package.

SC Minor trimming of plastic trunk pan required.

SV Trimming or removal of under body appearance panel may be required.

TA Trunk access required for hitch installation.

UL This hitch will not fit a Sprinter single or dual rear-wheel vehicle with a 30-3/8 in. wide frame measured outside of frame to outside of frame.

T-ONE						TOW HARNESS						4-FLAT WIRING				REQ. 4 FLAT WIRING		7-WAY HARDWIRE	BRAKE CONTROL HARNESS	IN		
PC	T-ONE	FN	IN	AMP	CP	PC	TOW HARN	FN	IN	AMP	CP	TYPE	ELEC	POS	CHOICE 1	CHOICE 2	6-WAY ADAPTER				7-WAY ADAPTER	
<b>MERCEDES-BENZ (Continued)</b>																						
													BT	SUV3,4	119251	119191	20320	20321	20224			
													BM	SUV3,4	119251	119191	20320	20321	20224			
													BTT	SUV1,2	119251	119191						
													E	SUV3	119191	119148	20320	20321	20224			
													BM	SUV3,4	119251	119191	20320	20321				
													E	SUV3	119191	119148	20320	20321	20224			
													BM	SUV3,4	119251	119191	20320	20321				
													BM	SUV3,4	119251	119191	20320	20321	20224			
													A,E	SUV3,4	119191	119148	20320	20321	20224	3066-P	5	
													A,E	SUV3,4	119191	119148	20320	20321	20224	3066-P	5	
													E	SUV3	119191	119148	20320	20321	20224			
													BM	SUV3,4	119251	119191	20320	20321	20224			
													E	SUV3	119191	119148	20320	20321	20224			
													BT	SUV3,4	119251	119191	20320	20321				
													BM	SUV3,4	119251	119191	20320	20321				
													BM	SUV3,4	119251	119191	20320	20321				
													BM	SUV3,4	119251	119191	20320	20321				
													BM	SUV3,4	119251	119191	20320	20321				
													BT	SUV3,4	119251	119191	20320	20321				
													BT	SUV3,4	119251	119191	20320	20321				
													BT	SUV3,4	119251	119191	20320	20321				
													BT	SUV3,4	119251	119191	20320	20321				
													BT	SUV3,4	119251	119191	20320	20321				
E17	118650	CH	45	5,7.5	X								B,E	SUV1,2	119191	119148	20320	20321	20224	3063-P	10	
E17	118650	CH	45	5,7.5	X								B,E	SUV1,2	119191	119148	20320	20321	20224	3063-P	10	
E17	118650	CH	45	5,7.5	X								B,E	SUV1,2	119191	119148	20320	20321	20224	3030-P	10	
E17	118650	CH	45	5,7.5	X								B,E	SUV1,2	119191	119148	20320	20321	20224	3030-P	10	
E19	118649	CH	45	5,7.5	X		22115		90			7-Way	BT	SUV3,4	119251	119191	20320	20321	20224	3030-P	10	
E19	118649	CH	45	5,7.5	X		22115		90			7-Way	BT	SUV3,4	119251	119191	20320	20321	20224	3030-P	10	
																					3030-P	10
																					3063-P	10
E17	118650	CH	45	5,7.5	X								B,E	SUV3,4	119192	119191	20320	20321	20224	3063-P	10	
E17	118650	CH	45	5,7.5	X								B,E	SUV3,4	119192	119191	20320	20321	20224	3063-P	10	
E17	118650	CH	45	5,7.5	X								B,E	SUV3,4	119192	119191	20320	20321	20224	3030-P	10	
E19	118649	CH	45	5,7.5	X		22115		90			7-Way	BT	SUV3,4	119251	119191	20320	20321	20224	3063-P	10	
E17	118650	CH	45	5,7.5	X								B,E	SUV3,4	119192	119191	20320	20321	20224	3030-P	10	
E19	118649	CH	45	5,7.5	X		22115		90			7-Way	BT	SUV3,4	119251	119191	20320	20321	20224	3063-P	10	
																					3063-P	10
E17	118650	CH	45	5,7.5	X								B,E	SUV3,4	119192	119191	20320	20321	20224	3063-P	10	
E17	118650	CH	45	5,7.5	X								B,E	SUV3,4	119192	119191	20320	20321	20224	3063-P	10	

**A** 2 wire system.  
**B** 3 wire system. Converter required.  
**BM** Multiplexed wiring system. ModuLite® HD Plus or Ultra required.  
**BT** Shared Brake/Tail multiplexed wiring system. ModuLite® HD Plus or Ultra required.  
**BTT** Shared Brake/Tail/Turn multiplexed wiring system. ModuLite® HD Plus or Ultra required.  
**CH** T-One is equipped with circuit protected ModuLite® module.  
**E** ModuLite® required.

**RT3** Round Tube Class III 2"  
**SQ3** Square Tube Class III  
**SQ4** Square Tube Class IV

# RECEIVER HITCH APPLICATIONS

RECEIVER HITCHES

M - MERCEDES-BENZ

MODEL / STYLE	YEAR	TRAILER HITCHES									
		PC	REC TYPE	REC SIZE	PART NO.	NO DRILL	FOOTNOTES	OPTIONAL DRAWBAR	WC (LBS.)	WD (LBS.)	IN
<i>For vehicles prior to 2001,</i>											
<b>MERCEDES-BENZ (Continued)</b>											
Sprinter 3500 144" & 170" Wheelbase, Except w/Factory Step Bumper	12-13	53	SQ4	2	75549	0	HM,UL		600/6,000	750/7,500	20
Sprinter 3500 144" & 170" Wheelbase, Except w/Factory Step Bumper	12-20	53	SQ4	2	75549	0	HM,UL		600/6,000	750/7,500	20
Sprinter 3500 w/Factory Step Bumper Excluding Models w/30-3/8" Frame Width	12-13	52	SQ3	2	75601	0	HM		500/5,000	750/7,500	30
Sprinter 3500 w/Factory Step Bumper Excluding Models w/30-3/8" Frame Width	12-20	52	SQ3	2	75601	0	HM		500/5,000	750/7,500	30
<b>MERCURY</b>											
Cougar	96-97	41	SQ2	1-1/4	36179	0	GP	36063	300/3,500		40
Grand Marquis	92-97	39	SQ2	1-1/4	36116		CA,GP	36063	300/3,500		30
		38	SQ3	2	41116		CA,GP		350/3,500	750/6,000	30
Grand Marquis	98-11	39	SQ2	1-1/4	36116		CA,GP	36063	300/3,500		30
		38	SQ3	2	41116		CA,GP		350/3,500	750/6,000	30
Marauder	03-04	39	SQ2	1-1/4	36116		CA,GP	36063	300/3,500		30
		38	SQ3	2	41116		CA,GP		350/3,500	750/6,000	30
Mariner	05-07	22	SQ2	1-1/4	36501		HM	36051	300/3,500		20
		34	RT3	2	75751	0	HM		675/4,500	675/5,250	25
Mariner	08-11	22	SQ2	1-1/4	36501		HM	36051	300/3,500		20
		34	RT3	2	75751	0	HM		675/4,500	675/5,250	25
Milan	06-09	35	SQ1	1-1/4	24775		GP,JR,TA	3592	200/2,000		45
Milan	10-11	25	SQ1	1-1/4	24865	0	GP,JR	3594	200/2,000		20
Montego	05-07	33	SQ2	1-1/4	36360	0	GP,JR	36071	300/3,500		30
		42	SQ3	2	75299	0	JR		350/3,500	400/4,000	30
Monterey	04-07	41	SQ2	1-1/4	36318†	0	GP,JR	36071	300/3,500		25
		45	SQ3	2	75158	0	GP,JR		350/3,500	500/5,000	30
Mountaineer	97-01	32	SQ2	1-1/4	36246	0	HM	36051	300/3,500		15
		34	RT3	2	75083	0	JF,HM		500/5,000	600/6,000	15
		31	SQ3	2	75096	0	HM		500/5,000	750/7,500	15
Mountaineer w/Factory 7-Way	00-10										
Mountaineer	02-03	47	RT3	2	75132	0	HM,KL		500/5,000	800/8,000	20
Mountaineer w/Factory 7-Way	02-10										
Mountaineer	04-05	47	RT3	2	75132	0	HM,KL		500/5,000	800/8,000	20
Mountaineer w/1-1/4" Receivers	06-07	39	RT3	2	75437	0	HM,KL		500/5,000	800/8,000	25
Mountaineer w/1-1/4" Receivers	08-10	39	RT3	2	75437	0	HM,KL		500/5,000	800/8,000	25
Sable Sedan	96-99	35	SQ1	1-1/4	24699	0	GP,JR	3593	200/2,000		20
		35	SQ2	1-1/4	36252	0	GP,JR	36063	300/3,500		20
Sable Wagon	96-99	35	SQ1	1-1/4	24699	0	GP,JR	3593	200/2,000		20
		35	SQ2	1-1/4	36252	0	GP,JR	36063	300/3,500		20
Sable Sedan	00-03	35	SQ1	1-1/4	24699	0	GP,JR	3592	200/2,000		20
		35	SQ2	1-1/4	36252	0	GP,JR	36063	300/3,500		20
		47	SQ2	1-1/4	36313	0	GP,JR	36061	300/3,500		40
Sable Wagon	00-03	35	SQ1	1-1/4	24699	0	GP,JR	3592	200/2,000		20
		35	SQ2	1-1/4	36252	0	GP,JR	36063	300/3,500		20
		47	SQ2	1-1/4	36313	0	GP,JR	36061	300/3,500		40
Sable Sedan	04-05	47	SQ2	1-1/4	36313	0	GP,JR	36061	300/3,500		40
Sable Wagon	04-05	47	SQ2	1-1/4	36313	0	GP,JR	36061	300/3,500		40
Sable Sedan	08-09	33	SQ2	1-1/4	36360	0	GP,JR	36071	300/3,500		30
		42	SQ3	2	75299	0	JR		350/3,500	400/4,000	30
Villager	93-97	41	SQ2	1-1/4	36261†	0	†,JR,GP	36061	300/3,500		15
		42	SQ3	2	75089	0	JR		350/3,500	500/5,000	15
Villager	98	41	SQ2	1-1/4	36261†	0	†,JR,GP	36061	300/3,500		15
		42	SQ3	2	75089	0	JR		350/3,500	500/5,000	15

† Available while supply lasts.

CA Models with dual exhaust require exhaust modification.

GP Hitch crosstube concealed behind bumper.

HM Hitch crosstube is visible beneath bumper.

JF Will not fit with 16 in. spare tire.

JR Exhaust must be temporarily lowered for installation.

KL Hitch is designed to attach beneath the OEM hitch.

TA Trunk access required for hitch installation.

UL This hitch will not fit a Sprinter single or dual rear-wheel vehicle with a 30-3/8 in. wide frame measured outside of frame to outside of frame.

T-ONE						TOW HARNESS						4-FLAT WIRING				REQ. 4 FLAT WIRING		7-WAY HARDWIRE	BRAKE CONTROL HARNESS	IN		
PC	T-ONE	FN	IN	AMP	CP	PC	TOW HARN	FN	IN	AMP	CP	TYPE	ELEC	POS	CHOICE 1	CHOICE 2	6-WAY ADAPTER				7-WAY ADAPTER	
<b>MERCEDES-BENZ (Continued)</b>																						
E17	118650	CH	45	5.7.5	X								B,E	SUV3,4	119192	119191	20320	20321	20224	3030-P	10	
E19	118649	CH	45	5.7.5	X		22115		90			7-Way	BT	SUV3,4	119251	119191	20320	20321	20224	3063-P	10	
E17	118650	CH	45	5.7.5	X								B,E	SUV3,4	119192	119191	20320	20321	20224	3030-P	10	
E19	118649	CH	45	5.7.5	X		22115		90			7-Way	BT	SUV3,4	119251	119191	20320	20321	20224	3063-P	10	
<b>MERCURY</b>																						
E9	118326		20	7.5									A,E	PC3,4	119191	119148	20320	20321	20224			
													A,E	PC3,4	119191	119148	20320	20321	20224			
													A,E	PC3,4	119191	119148	20320	20321	20224			
E17	118551	CH	45	4.2,7.5	X								A,E	SUV1,2	119191	119148	20320	20321	20224			
E17	118551	CH	45	4.2,7.5	X	E2	118251	BN,QP,RD	5	7.5		4-Flat	A	SUV1,2	119148	20252	20320	20321	20224			
E17	118502	CH	45	2.1,5.6	X								B,E	PC3,4	119191	119148						
E17	118502	CH	45	2.1,5.6	X								B,E	PC3,4	119191	119148						
													B,E	PC3,4	119191	119148	20320	20321	20224			
E17	118385	CH	45	2.1,5.6	X								N	SUV1,2		119251	20320	20321				
E16	118345	BN,CH	45	2.1,4.2		E3	118241	BN,RD	5	7.5		4-Flat	B,E	SUV1,2	119191	119148	20320	20321	20224			
							85219	RD	5			7-Way	A	SUV6	119148	20252						
E5	118344	BN	10	7.5									A	SUV1,2	119148	20252	20320	20321	20224	3035-P	5	
							74682	RD	10			Both	A	SUV6	119148	20252					3035-P	5
													A	SUV1,2	119148	20252	20320	20321	20224	3035-P	5	
													A	SUV1,2	119148	20252	20320	20321	20224	3035-P	5	
													B	SUV1,2	119130	119178	20320	20321	20224	3035-P	5	
E9	118333	HG	10	2.1,5									B	PC3,4	119130	119178						
													B	PC3,4	119130	119178						
E4	118375		10	7.5									A	PC3,4	119148	20252						
													A	PC3,4	119148	20252						
													B	PC3,4	119130	119178						
													A	PC3,4	119148	20252						
E7	118447		10	7.5									A	PC3,4	119148	20252	20320	20321	20224			
													B	SUV1,2	119130	119178	20320	20321	20224			
E11	118362	BN,HG	5	2.1,5									B	SUV1,2	119130	119178	20320	20321	20224			

**A** 2 wire system.  
**B** 3 wire system. Converter required.  
**BN** Exterior mounted plug on some or all models. May require an aftermarket electrical mounting box or bracket. (Sold separately)  
**BT** Shared Brake/Tail multiplexed wiring system. ModuLite® HD Plus or Ultra required.  
**CH** T-One is equipped with circuit protected ModuLite® module.

**E** ModuLite® required.  
**HG** T-One incorporates taillight converter.  
**N** DO NOT cut or splice vehicle wiring. Only use approved T-One or see auto dealer for trailer tow wiring kit.  
**QP** Will not fit vehicles with backup sensors built into rear bumper.  
**RD** For vehicles equipped with factory tow package may require additional components or may be used as a replacement harness.

**RT3** Round Tube Class III 2"  
**SQ1** Square Tube Class I  
**SQ2** Square Tube Class II  
**SQ3** Square Tube Class III  
**SQ4** Square Tube Class IV



# RECEIVER HITCH APPLICATIONS

RECEIVER HITCHES

M - MERCURY

MODEL / STYLE	YEAR	TRAILER HITCHES									
		PC	REC TYPE	REC SIZE	PART NO.	NO DRILL	FOOTNOTES	OPTIONAL DRAWBAR	WC (LBS.)	WD (LBS.)	IN
<i>For vehicles prior to 2001,</i>											
<b>MERCURY (Continued)</b>											
Villager	99-02	34 41	SQ2 SQ3	1-1/4 2	36277† 75102†	0 0	†,JR,GP †,JR	36061	300/3,500 350/3,500	500/5,000	15 15
<b>MINI</b>											
Cooper Countryman Except John Cooper Works Model	11-16	37	SQ1	1-1/4	24934	0	DU,GP,X	3593	200/2,000		70
<b>MITSUBISHI</b>											
Eclipse	06-12	24	SQ1	1-1/4	24754		TA,GP	3592	200/2,000		30
Eclipse Cross	18-20	40	RT3	2	76244	0			675/4,500		20
Endeavor	04-05	37	RT3	2	75163	0	JR		350/3,500	500/5,000	20
Endeavor	06-08	41	SQ3	2	75519	0	JR		350/3,500		25
Endeavor	10-11										
Galant	07-12	19	SQ1	1-1/4	24835	0	JR,KH,HM	3593	200/2,000		30
L200 w/Factory Step Bumper	15-20	33	SQ4	2	76114	0	AA		750/7,500	750/7,500	45
Lancer 4 Dr. Sedan, Except Evolution, Ralliart & w/Dual Exhaust	08-11	27	SQ1	1-1/4	24885	0	GP,JR	3593	200/2,000		25
Lancer 5 Dr. Hatchback, Except Ralliart & w/Dual Exhaust	10-14	27	SQ1	1-1/4	24885	0	GP,JR	3593	200/2,000		25
Lancer 4 Dr. Sedan, Except Evolution, Ralliart & w/Dual Exhaust	12-17	27	SQ1	1-1/4	24885	0	GP,JR	3593	200/2,000		25
Lancer 4 Dr. Sedan, Except Evolution, Ralliart & w/Dual Exhaust	17										
Mirage	14-15	27	SQ1	1-1/4	24916	0	HM,JR	3593	200/2,000		20
Mirage Except Mirage G4	17-20	27	SQ1	1-1/4	24916	0	HM,JR	3593	200/2,000		20
Mirage Except Mirage G4	18-19										
Mirage G4	17-20										
Montero Except Montero Sport	01-06	46	SQ3	2	75116	0	KH		500/5,000	550/5,500	20
Montero Sport	97-04	35	SQ3	2	75075	0	GP		500/5,000	550/5,500	20
Outlander	03-06	30	SQ1	1-1/4	24732	0	KH,GP	3591	200/2,000		40
Outlander	07-10	44	SQ3	2	75555	0	HM,JR		400/4,000	400/4,000	25
Outlander Except Outlander Sport or PHEV	11-13	44	SQ3	2	75555	0	HM,JR		400/4,000	400/4,000	25
Outlander Except Outlander Sport or PHEV	14-20	36	RT3	2	75888	0	HM,JR		600/4,000	600/4,000	30
Outlander Except Outlander Sport or PHEV	16-20	36	RT3	2	75888	0	HM,JR		600/4,000	600/4,000	30
Outlander Sport Except PHEV	11-20	25 25	RT2 RT3	1-1/4 2	36509 76098	0 0	HM	36051	300/3,500 675/4,500		30 20
Raider	06-09	27	SQ3	2	75251	0	HM		500/5,000	800/8,000	20
Raider w/Factory 7-Way	06-09										
RVR (Canada Only)	11-14	25	RT2	1-1/4	36509	0	HM	36051	300/3,500		30
RVR (Canada Only)	11-20	25	RT3	2	76098	0			675/4,500		30
Triton w/Factory Step Bumper	15-20	33	SQ4	2	76114	0	AA		750/7,500	750/7,500	45
<b>NISSAN</b>											
Altima	93-97	39	SQ1	1-1/4	24690	0	HM,JR	3593	200/2,000		20
Altima	98-01	39	SQ1	1-1/4	24690	0	HM,JR	3593	200/2,000		20
Altima	02-06	30	SQ1	1-1/4	24788	0	JR,TA,GP	3592	200/2,000		30
Altima Sedan	07-15	15	SQ1	1-1/4	24796		AE,HM,TA	3594	200/2,000		45
Altima Sedan	16-20	15	SQ1	1-1/4	24796		AE,HM,TA	3594	200/2,000		45
Armada	05-07	38	RT4	2	75741	0	HM		600/6,000	1,000/10,000	15
Armada w/Factory 7-Way	05-20										
Armada	08-14	35	RT4	2	75644	0	HM		600/6,000	1,000/10,000	15
Cube	09-13	20	SQ1	1-1/4	24845		HM,JR	3593	200/2,000		45
Frontier	98-04	41 50	SQ3 SQ3	2 2	75186 37136		GP		400/4,000 500/5,000	550/5,500 600/6,000	30 35
Frontier	05-20	20	SQ3	2	75282	0	GP,TE		750/5,000	800/8,000	30
Frontier w/Factory Tow Package	05-20										

† Available while supply lasts.

AA Requires temporary removal of bumper during installation.

AE Requires temporary removal of muffler during installation.

DU Fascia removal required.

GP Hitch crosstube concealed behind bumper.

HM Hitch crosstube is visible beneath bumper.

JR Exhaust must be temporarily lowered for installation.

KH Minor heat shield modification may be required.

TA Trunk access required for hitch installation.

TE Hitches produced before 04/20/11 are rated at 500/5000 WC.

X Minor fascia trimming required.

RECEIVER HITCHES

T-ONE						TOW HARNESS					4-FLAT WIRING				REQ. 4 FLAT WIRING		7-WAY HARDWIRE	BRAKE CONTROL HARNESS	IN	
PC	T-ONE	FN	IN	AMP	CP	PC	TOW HARN	FN	IN	AMP	CP	TYPE	ELEC	POS	CHOICE 1	CHOICE 2				6-WAY ADAPTER
<b>MERCURY (Continued)</b>																				
													B	SUV1,2	119130	119178	20320	20321	20224	
<b>MINI</b>																				
													B,E	SUV3,4	119191	119148				
<b>MINI</b>																				
													E	PC3,4	119191	119148				
													B,E	SUV3						
E12	118516		30	2.1,5.6	X								B,E	SUV1,2	119191	119148	20320	20321	20224	
E12	118516		30	2.1,5.6	X								B,E	SUV1,2	119191	119148	20320	20321	20224	
E12	118516	CH	30	2.1,5.6	X								B,E	SUV3	119191	119148				
E14	118420	CG	15	2.1,5	X								B	PC3,4	119130	119178				
														PU3						
													B,E	PC3,4	119191	119148				
E16	118538		45	2.1,5.6	X								B,E	PC1,2	119191	119148				
E16	118538		45	2.1,5.6	X								B,E	PC3,4	119191	119148				
E16	118538		45	2.1,5.6	X								B,E	PC3,4	119191	119148				
E15	118769	CH	45	5.7,5	X								B,E	PC3,4	119191	119148				
E15	118769	CH	45	5.7,5	X								B,E	PC3,4	119191	119148				
E15	118769	CH	45	5.7,5	X								B,E	PC3,4	119191	119148				
E15	118769	CH	45	5.7,5	X								B,E	PC3,4	119191	119148				
E13	118380	BN,HG	20	2.1,5									B	SUV1,2	119130	119178	20320	20321	20224	
													B	SUV1,2	119130	119178	20320	20321	20224	
E10	118306		25	2.1,5									B,E	SUV3,4	119191	119148				
E18	118518	CH	45	4.2,7.5	X								B,E	SUV3,4	119191	119148	20320	20321	20224	
E18	118518	CH	45	4.2,7.5	X								B,E	SUV3,4	119191	119148	20320	20321	20224	
E17	118482	CH	45	2.1,5.6	X								B,E	SUV3,4	119191	119148	20320	20321	20224	
E17	118482	CH	45	2.1,5.6	X	E12	118277	CH,BN	45	4.2,7.5	X	4-Flat	B,E	SUV3,4	119191	119148	20320	20321	20224	
E16	118538	CH	45	2.1,5.6	X								B,E	SUV1,2	119191	119148				
E8	118323	BN,HJ	10	7.5		E3	118381	BN,RD	5	7.5		4-Flat	A	PU1,2	119148	20252	20320	20321	20224	
							20135	RD	10			Both	A	PU3	119148	20252				
E16	118538	CH	45	2.1,5.6	X								B,E	SUV1,2	119191	119148	20320	20321		
E16	118538	CH	45	2.1,5.6	X								B,E	SUV1,2	119191	119148	20320	20321		
														PU3						
<b>NISSAN</b>																				
E10	118361	HG	20	2.1,5									B	PC3,4	119130	119178				
													B	PC3,4	119130	119178				
													B,E	PC3,4	119191	119148				
E17	118470	CH	45	2.1,5.6	X								B,E	PC3,4	119191	119148				
E15	118731	CH	45	5.7,5	X								B,E	PC3,4	119191	119148				
						E8	118384	BN,RD	5	7.5		4-Flat	A	SUV6	119148	20252	20320	20321	20224	3050-P 5
							74682	RD	10			Both	H	SUV6	119148	20252				3050-P 5
							85219	RD	5			7-Way								
						E8	118384	BN,RD	5	7.5		4-Flat	A	SUV6	119148	20252	20320	20321	20224	3050-P 5
E15	118492	CG	45	2.1,7.5	X								B	SUV1,2	119130	119178	20320	20321		
E11	118362	BN,HG	5	2.1,5									B	PU4	119130	119178	20320	20321	20224	
						E21	118266	BN,RD	30			7-Way	H	PU3	119148	20252				3050-P 5
						E9	118267	BN,RD,Z	30			7-Way	B,E	PU3	119191	119148				3050-P 5

- A** 2 wire system.

**B** 3 wire system. Converter required.

**BN** Exterior mounted plug on some or all models. May require an aftermarket electrical mounting box or bracket. (Sold separately)

**CG** T-One incorporates circuit protected taillight converter.

**CH** T-One is equipped with circuit protected ModuLite® module.

**E** ModuLite® required.

**H** 3 wire system with OEM standard 2 wire harness.

**HG** T-One incorporates taillight converter.

**HJ** Per Dodge owner's manual: If trailer is equipped with more than standard lighting (1 taillight per side) use of ModuLite® or dealer supplied harness is required.

**RD** For vehicles equipped with factory tow package may require additional components or may be used as a replacement harness.

**Z** May be equipped with Factory Tow Prep Plug. Determine at time of installation.

**RT2** Round Tube Class II 1-1/4"

**RT3** Round Tube Class III 2"

**RT4** Round Tube Class IV 2"

**SQ1** Square Tube Class I

**SQ2** Square Tube Class II

**SQ3** Square Tube Class III

**SQ4** Square Tube Class IV

# RECEIVER HITCH APPLICATIONS

RECEIVER HITCHES

N - NISSAN

MODEL / STYLE		YEAR	TRAILER HITCHES									
			PC	REC TYPE	REC SIZE	PART NO.	NO DRILL	FOOTNOTES	OPTIONAL DRAWBAR	WC (LBS.)	WD (LBS.)	IN
<i>For vehicles prior to 2001,</i>												
<b>NISSAN (Continued)</b>												
Frontier	21	20	SQ3	2	75282	0	GP,TE		750/5,000	800/8,000	30	
JUKE AWD, Except Nismo & Nismo RS	11-17	27	SQ1	1-1/4	24867	0	HM,JR	3593	200/2,000		40	
JUKE FWD, Except Nismo & Nismo RS	11-17	30	SQ1	1-1/4	24892		HM,JR	3593	200/2,000		25	
Kicks	18-20	29	SQ1	1-1/4	24980		GP,JR,KH	3593	200/2,000		45	
Kicks	19-20	29	SQ1	1-1/4	24980		GP,JR,KH	3593	200/2,000		45	
Leaf	11-14											
Maxima Sedan	95-99	34	SQ1	1-1/4	24686		TA,GP	3593	200/2,000		30	
Maxima Sedan	00-02	34	SQ1	1-1/4	24686		TA,GP	3592	200/2,000		30	
Maxima Sedan	03	34	SQ1	1-1/4	24686		TA,GP	3592	200/2,000		30	
Maxima	04-08	30	SQ1	1-1/4	24788	0	JR,TA,GP	3592	200/2,000		30	
Maxima	09-14	15	SQ1	1-1/4	24796		AE,HM,TA	3594	200/2,000		45	
Maxima	16-21	15	SQ1	1-1/4	24796		AE,HM,TA	3594	200/2,000		45	
Murano	03-05	34	SQ3	2	75148	0	JR		350/3,500		30	
Murano	06-07	34	SQ3	2	75148	0	JR		350/3,500		30	
Murano Except w/Aero Kit & CrossCabriolet	09-14	30	SQ3	2	75647	0	GP,JR		400/4,000		35	
Murano	15-20	28	RT3	2	75952	0	HM		600/4,000	600/4,000	15	
NP300 Navara International Only	16-20	38	SQ4	2	76078	0	HM		800/8,000	800/8,000	30	
NV1500	13-20	28	SQ4	2	75715	0	HM		1,125/7,500	1,000/10,000	20	
NV200	13-20	31	RT3	2	75898	0	HM,JR,X		525/3,500		30	
NV2500	12-20	28	SQ4	2	75715	0	HM		1,125/7,500	1,000/10,000	20	
NV3500	12-20	28	SQ4	2	75715	0	HM		1,125/7,500	1,000/10,000	20	
Pathfinder	96-04	39	SQ2	1-1/4	36222†	0	†,HM	36071	300/3,500		20	
Pathfinder		34	RT3	2	75077	0			500/5,000	550/5,500	20	
Pathfinder	05-12											
Pathfinder	05-20											
Pathfinder	13-17	25	SQ4	2	76031	0	HM		900/6,000	900/6,000	25	
Pathfinder	13-20	76904	SQ3	2	76904				450/4,500			
Pathfinder	18-20	25	SQ4	2	76031	0	HM		900/6,000	900/6,000	25	
Pathfinder Armada	04	38	RT4	2	75741	0	HM		600/6,000	1,000/10,000	15	
Pathfinder Armada w/Factory 7-Way	04											
Pickup	95-97	41	SQ3	2	75186		GP		400/4,000	550/5,500	30	
		50	SQ3	2	37136				500/5,000	600/6,000	30	
Qashqai	17-20	26	SQ3	2	76177	0	GP,JR		525/3,500		45	
Quest	93-97	41	SQ2	1-1/4	36261†	0	†,JR,GP	36061	300/3,500		15	
		42	SQ3	2	75089	0	JR		350/3,500	500/5,000	15	
Quest	98	41	SQ2	1-1/4	36261†	0	†,JR,GP	36061	300/3,500		15	
		42	SQ3	2	75089	0	JR		350/3,500	500/5,000	15	
Quest	99-02	34	SQ2	1-1/4	36277†	0	†,JR,GP	36061	300/3,500		15	
		41	SQ3	2	75102†	0	†,JR		350/3,500	500/5,000	15	
Quest	04-09	50	SQ3	2	75159	0	JR		350/3,500	500/5,000	20	
Quest	11-16	51	RT3	2	75714	0	HM,JR		525/3,500		35	
Quest	17											
Rogue Except Krom	08-13	18	SQ2	1-1/4	36542	0	GP,TW	36053	300/3,500		15	
		23	SQ3	2	75902	0	GP,TW		350/3,500		15	
Rogue Except Sport	14-20	18	SQ2	1-1/4	36542	0	GP,TW	36053	300/3,500		15	
		23	SQ3	2	75902	0	GP,TW		350/3,500		15	
Rogue Select	14	18	SQ2	1-1/4	36542	0	GP,TW	36053	300/3,500		15	
		23	SQ3	2	75902	0	GP,TW		350/3,500		15	
Rogue Sport	17-19	26	SQ3	2	76177	0	GP,JR		525/3,500		45	
Rogue Sport	20	26	SQ3	2	76177	0	GP,JR		525/3,500		45	
Sentra	00-02	31	SQ1	1-1/4	24750	0	TA,HM	3593	200/2,000		20	
Sentra	03-06	31	SQ1	1-1/4	24750	0	TA,HM	3593	200/2,000		20	

† Available while supply lasts.

AE Requires temporary removal of muffler during installation.

GP Hitch crosstube concealed behind bumper.

HM Hitch crosstube is visible beneath bumper.

JR Exhaust must be temporarily lowered for installation.

KH Minor heat shield modification may be required.

TA Trunk access required for hitch installation.

TE Hitches produced before 04/20/11 are rated at 500/5000 WC.

TW Receiver hitch may limit hands-free liftgate sensor range

X Minor fascia trimming required.

T-ONE						TOW HARNESS						4-FLAT WIRING				REQ. 4 FLAT WIRING		7-WAY HARDWIRE	BRAKE CONTROL HARNESS	IN	
PC	T-ONE	FN	IN	AMP	CP	PC	TOW HARN	FN	IN	AMP	CP	TYPE	ELEC	POS	CHOICE 1	CHOICE 2	6-WAY ADAPTER				7-WAY ADAPTER
NISSAN (Continued)																					
E14	118525	BN	30	7.5									B,E	PU1,2	119191	119148	20320	20321	20224		
E17	118528	CH	45	2.1,5.6	X								B,E	SUV3,4	119191	119148	20320	20321			
E17	118528	CH	45	2.1,5.6	X								B,E	SUV3,4	119191	119148	20320	20321			
E19	118794	CH,BN	45	5.7,5	X								B,E	SUV1,2	119191	119148					3050-P 5
E16	118625	CH	45	2.1,5.6	X								B,E	PC3,4	119191	119148					3050-P 5
													B	PC3,4	119130	119178					
													B,E	PC3,4	119130	119178					
													B,E	PC3,4	119191	119148					
E17	118470	CH	45	2.1,5.6	X								B,E	PC3,4	119191	119148					
E17	118470	CH	45	2.1,5.6	X								B,E	PC3,4	119191	119148					
E15	118676	CH	45	4.2,7.5	X								B,E	PC3,4	119191	119148					
													D			119251	20320	20321			
E17	118775	CH	45	5.7,5	X								N	SUV1,2		119251	20320	20321			
E15	118653	CH	45	4.2,7.5	X								B,E	SUV3,4	119191	119148	20320	20321	20224		
E15	118660	CH	45	4.2,7.5	X								B,E	SUV3,4	119191	119148	20320	20321	20224		
E17	118553	CH	45	4.2,7.5	X								B,E	SUV3,4	119191	119148	20320	20321	20224	3050-P	5
E17	118597	CH	45	4.2,7.5	X								B,E	SUV3,4	119191	119148	20320	20321	20224		
E17	118553	CH	45	4.2,7.5	X								B,E	SUV3,4	119191	119148	20320	20321	20224	3050-P	5
E17	118553	CH	45	4.2,7.5	X								B,E	SUV3,4	119191	119148	20320	20321	20224	3050-P	5
E10	118361	HG	20	2.1,5									B	SUV1,2	119130	119178	20320	20321	20224		
E14	118525	BN	30	7.5		E21	118266	BN,RD	30			7-Way	H	SUV5	119148	20252					3050-P 5
E3	118263	BN	5	7.5		E9	118267	BN,RD	30			7-Way	B	SUV5	119130	119178					3050-P 5
E20	118670	BN	30	7.5		E23	118273	BN,RD	20	10		7-Way	B,E	SUV1,2	119191	119148					3050-P 5
		BN				E9	118267	BN,RD	30			7-Way	B,E	SUV3	119130	119178					3050-P 5
E20	118670	BN	30	7.5		E23	118273	BN,RD	20	10		7-Way	B,E	SUV1,2	119191	119148					
						E8	118384	BN,RD	5	7.5		4-Flat	A	SUV6	119148	20252	20320	20321	20224	3050-P	5
						85219	RD	5				7-Way	H	SUV6	119148	20252					3050-P 5
E10	118353	BN,HG	10	2.1,5									B	PU1,2	119130	119178	20320	20321	20224		
													B	SUV1,2	119130	119178	20320	20321	20224		
E11	118362	BN,HG	5	2.1,5									B	SUV1,2	119130	119178	20320	20321	20224		
													B	SUV1,2	119130	119178	20320	20321	20224		
E16	118469	CH	45	2.1,5.6	X								B,E	SUV1,2	119191	119148	20320	20321	20224		
E19	118547	BN,CH	45	4.2,7.5	X								B,E	SUV1,2	119191	119148	20320	20321	20224		
E19	118547	BN,CH	45	4.2,7.5	X								B,E	SUV1,2	119191	119148	20320	20321	20224		
E15	118480	CH	45	2.1,5.6	X								B,E	SUV3,4	119191	119148	20320	20321	20224		
E15	118480	CH	45	2.1,5.6	X								B,E	SUV3,4	119191	119148	20320	20321	20224		
E15	118480	CH	45	2.1,5.6	X								B,E	SUV3,4	119191	119148	20320	20321	20224		
E15	118480	CH	45	2.1,5.6	X								B,E	SUV3,4	119191	119148	20320	20321	20224		
E15	118757	CH	45	5.7,5	X								B,E	SUV1,2	119191	119148	20320	20321	20224		
		CH											B,E	SUV1,2	119191	119148	20320	20321	20224		
													B	PC3,4	119130	119178					
													B,E	PC3,4	119191	119148					

<p><b>A</b> 2 wire system.</p> <p><b>B</b> 3 wire system. Converter required.</p> <p><b>BN</b> Exterior mounted plug on some or all models. May require an aftermarket electrical mounting box or bracket. (Sold separately)</p> <p><b>CH</b> T-One is equipped with circuit protected ModuLite® module.</p> <p><b>D</b> See auto dealer for trailer tow wiring kit.</p>	<p><b>E</b> ModuLite® required.</p> <p><b>H</b> 3 wire system with OEM standard 2 wire harness.</p> <p><b>HG</b> T-One incorporates taillight converter.</p> <p><b>N</b> DO NOT cut or splice vehicle wiring. Only use approved T-One or see auto dealer for trailer tow wiring kit.</p> <p><b>RD</b> For vehicles equipped with factory tow package may require additional components or may be used as a replacement harness.</p>
--	---

<p><b>RT3</b> Round Tube Class III 2"</p> <p><b>RT4</b> Round Tube Class IV 2"</p> <p><b>SQ1</b> Square Tube Class I</p> <p><b>SQ2</b> Square Tube Class II</p> <p><b>SQ3</b> Square Tube Class III</p> <p><b>SQ4</b> Square Tube Class IV</p>
--

# RECEIVER HITCH APPLICATIONS

RECEIVER HITCHES

N - NISSAN

MODEL / STYLE	YEAR	TRAILER HITCHES									
		PC	REC TYPE	REC SIZE	PART NO.	NO DRILL	FOOTNOTES	OPTIONAL DRAWBAR	WC (LBS.)	WD (LBS.)	IN
<i>For vehicles prior to 2001,</i>											
<b>NISSAN (Continued)</b>											
Sentra Except SR	13-20	28	SQ1	1-1/4	24907		HM	3593	200/2,000		35
Titan	04-15	38	RT4	2	41551	0			600/6,000	1,000/10,000	15
Titan w/Factory 7-Way	04-20										
Titan Except Titan XD or Models w/ Factory 7-Way Wiring	17-20	40	RT4	2	76154	0	HM		800/8,000	1,200/12,000	30
Titan w/ Factory 7-Way Wiring Except Titan XD	17-20	40	RT4	2	76154	0	HM		800/8,000	1,200/12,000	30
Titan Except Titan XD or Models w/ Factory 7-Way Wiring	21	40	RT4	2	76154	0	HM		800/8,000	1,200/12,000	30
Titan w/ Factory 7-Way Wiring Except Titan XD	21	40	RT4	2	76154	0	HM		800/8,000	1,200/12,000	30
Versa 4 Dr. Sedan	07-11	35	SQ1	1-1/4	24798		HM	3593	200/2,000		25
Versa 5 Dr. Hatchback	07-12	35	SQ1	1-1/4	24798		HM	3593	200/2,000		25
Versa 4 Dr. Sedan	12-20	29	SQ1	1-1/4	24887		HM,JR,KH	3592	200/2,000		30
Versa 4 Dr. Sedan	18-20										
Versa Note	14-20	15	SQ1	1-1/4	24909		HM,JR,KH	3592	200/2,000		30
Xterra	00-04	41	RT3	2	75107	0			350/3,500	550/5,500	15
Xterra	05-15										
Xterra w/Factory Tow Package	05-15	36	RT3	2	75291	0			350/3,500	550/5,500	30
X-Trail (Canada Only)	05-06	35	SQ1	1-1/4	24740	0	EP,GP	3593	200/2,000		45
<b>OLDSMOBILE</b>											
88	96-99	50	SQ2	1-1/4	36211†		†,GP,KH	36061	300/3,500		30
Alero	99-04	41	SQ2	1-1/4	36288		GP	36071	300/3,500		20
Aurora	01-03	39	SQ2	1-1/4	36309		HM,JR	36063	300/3,500		30
Bravada	96-97	21	RT3	2	75079	0	SD		400/4,000	600/6,000	15
Bravada	98-01	21	RT3	2	75079	0	FP,KK,SD		400/4,000	600/6,000	15
Bravada w/Factory 7-Way	99-04										
Bravada w/Factory 7-Way	02-04										
Cutlass 4 Dr., FWD	97-99	34	SQ1	1-1/4	24656	0	GP	3592	200/2,000		15
		41	SQ2	1-1/4	36233		GP	36061	300/3,500		20
Cutlass Supreme 4 Dr. FWD	92-97	43	SQ2	1-1/4	36124†		†,AI,JR,TA,HM	36053	300/3,500		60
Intrigue	98-02	24	SQ1	1-1/4	24659		TA,GP	3592	200/2,000		30
		37	SQ2	1-1/4	36374		GP,JR	36061	300/3,500		30
LSS	96-99	50	SQ2	1-1/4	36211†		†,GP,KH	36061	300/3,500		30
Regency	97-98	50	SQ2	1-1/4	36211†		†,GP,KH	36061	300/3,500		30
Silhouette	97-04	27	SQ1	1-1/4	24721†		†,AL,GP,JR	3592	200/2,000		30
		27	SQ2	1-1/4	36361		AL,GP,JR	36061	300/3,500		40
		22	SQ3	2	75278		AL,GP,JR		350/3,500	500/5,000	40
<b>PLYMOUTH</b>											
Breeze	96-00	40	SQ2	1-1/4	36301		JR,HM	36061	300/3,500		60
Grand Voyager	96-00	23	SQ2	1-1/4	36296	0	GP	36071	300/3,500		30
		30	RT3	2	75119				350/3,500	500/5,000	30
		50	SQ3	2	37136				500/5,000	600/6,000	40
Neon	00-01	42	SQ1	1-1/4	24701†		†,GP,JR	3593	200/2,000		20
Voyager	96-00	23	SQ2	1-1/4	36296	0	GP	36071	300/3,500		30
		30	RT3	2	75119				350/3,500	500/5,000	30
		50	SQ3	2	37136				500/5,000	600/6,000	40
<b>PONTIAC</b>											
Aztek	01-05	34	SQ2	1-1/4	36425		HM	36071	300/3,500		40
		32	SQ3	2	75138	0			350/3,500		55
		28	SQ3	2	75430		HM		350/3,500		40
Bonneville Except SLE/SSE/SSEi	96-99	50	SQ2	1-1/4	36211†		†,GP,KH	36063	300/3,500		30
Bonneville	00-05	39	SQ2	1-1/4	36309		HM,JR	36063	300/3,500		30

- † Available while supply lasts.
- AI Additional installation time may be required.
- AL Additional installation time required for vehicles equipped with load leveling compressor.
- EP Fascia trimming may be required.
- FP Spare tire repositioning and/or modification of spare tire carrier may be required.
- GP Hitch cross tube concealed behind bumper.
- HM Hitch cross tube is visible beneath bumper.
- JR Exhaust must be temporarily lowered for installation.
- KH Minor heat shield modification may be required.
- KK When installing on a vehicle originally equipped with an OEM hitch, OEM bumper brackets must be purchased and installed prior to new hitch installation.
- SD Hitches produced before 07/21/06 are rated at 350/3500 WC.
- TA Trunk access required for hitch installation.

T-ONE						TOW HARNESS					4-FLAT WIRING				REQ. 4 FLAT WIRING		7-WAY HARDWARE	BRAKE CONTROL HARNESS	IN		
PC	T-ONE	FN	IN	AMP	CP	PC	TOW HARN	FN	IN	AMP	CP	TYPE	ELEC	POS	CHOICE 1	CHOICE 2				6-WAY ADAPTER	7-WAY ADAPTER
<b>NISSAN (Continued)</b>																					
E16	118582	CH	45	2.1,5,6	X								B,E	PC3,4	119191	119148					
						E8	118384	BN,RD	5	7.5		4-Flat	A	PU3	119148	20252	20320	20321	20224	3050-P	5
							74682	RD	10			Both	H	PU3	119148	20252				3050-P	5
							85219	RD	5			7-Way									
													A	PU3	119148	20252	20320	20321	20224	3050-P	5
													H	PU3						3050-P	5
													A	PU3	119148	20252	20320	20321	20224		
													H	PU3							
E17	118545	CH	45	2.1,5,6	X								B,E	PC3,4	119191	119148					
													B,E	PC3,4	119191	119148					
													B,E	PC3,4	119191	119148					
E16	118582	CH	45	2.1,5,6	X								B,E	PC3,4	119191	119148					
						E1	118244	BN,RD	5	7.5		4-Flat	B	SUV7	119130	119178	20320	20321	20224		
						E21	118266	BN,RD	30			7-Way	H	SUV5	119148	20252				3050-P	5
						E9	118267	BN,RD,Z	30			7-Way	B,E	SUV5	119191	119148				3050-P	5
													B	SUV1,2	119130	119178					
<b>OLDSMOBILE</b>																					
													A	PC3,4	119148	20252					
													B	PC3,4	119130	119178					
													B,E	PC3,4	119191	119148					
													A	SUV7	119148	20252	20320	20321	20224		
E8	118384	BN,RD	5	7.5		E8	118384	BN,RD	5	7.5		4-Flat	A	SUV7	119148	20252	20320	20321	20224		
							74682	RD	10			Both	A	SUV6	119148	20252					
							85219	RD	5			7-Way									
							8551511	RD				7-Way									
						E8	118384	BN,RD	5	7.5		4-Flat	H	SUV6	119148	20252					
													B	PC3,4	119130	119178					
													A	PC3,4	119148	20252					
													B	PC3,4	119130	119178					
													A	PC3,4	119148	20252					
													A	PC3,4	119148	20252					
E10	118355	HG	10	2.1,5									B	SUV3	119130	119178	20320	20321	20224		
<b>PLYMOUTH</b>																					
													B	PC3,4	119130	119178					
E12	118334	HG	20	2.1,5									B	SUV1,2	119130	119178	20320	20321	20224		
													A	PC3,4	119148	20252					
E12	118334	HG	20	2.1,5									B	SUV1,2	119130	119178	20320	20321	20224		
<b>PONTIAC</b>																					
E10	118383	BN	20	7.5									A	SUV1,2	119148	20252	20320	20321	20224		
													E	PC3,4	119191	119148					
													B,E	PC3,4	119191	119148					

**A** 2 wire system.  
**B** 3 wire system. Converter required.  
**BN** Exterior mounted plug on some or all models. May require an aftermarket electrical mounting box or bracket. (Sold separately)  
**CH** T-One is equipped with circuit protected Modulite® module.  
**E** Modulite® required.  
**H** 3 wire system with OEM standard 2 wire harness.  
**HG** T-One incorporates taillight converter.  
**RD** For vehicles equipped with factory tow package may require additional components or may be used as a replacement harness.  
**Z** May be equipped with Factory Tow Prep Plug. Determine at time of installation.

**RT3** Round Tube Class III 2"  
**RT4** Round Tube Class IV 2"  
**SQ1** Square Tube Class I  
**SQ2** Square Tube Class II  
**SQ3** Square Tube Class III

# RECEIVER HITCH APPLICATIONS

RECEIVER HITCHES

P - PONTIAC

MODEL / STYLE	YEAR	TRAILER HITCHES									
		PC	REC TYPE	REC SIZE	PART NO.	NO DRILL	FOOTNOTES	OPTIONAL DRAWBAR	WC (LBS.)	WD (LBS.)	IN
<i>For vehicles prior to 2001,</i>											
<b>PONTIAC (Continued)</b>											
G3 5 Dr.	09	20	SQ1	1-1/4	24741		GP	3593	200/2,000		30
G3 Wave 5 Dr. (Canada Only)	09	20	SQ1	1-1/4	24741		GP	3593	200/2,000		30
G5 Except GT	07-09	20	SQ1	1-1/4	24745		JR, HM	3593	200/2,000		40
G5 GT	07-09	30	SQ1	1-1/4	24756		HM, JR	3594	200/2,000		25
G6	05-09	36	SQ2	1-1/4	36426		GP	36065	300/3,500		30
G8	08-09	31	SQ1	1-1/4	24821†	0	†, JR, KH, HM	3594	200/2,000		45
Grand Am	99-05	41	SQ2	1-1/4	36288		GP	36071	300/3,500		20
Grand Prix	97-08	27	SQ1	1-1/4	24660	0	TA, GP	3594	200/2,000		20
		51	SQ2	1-1/4	36241		JR, GP	36065	300/3,500		35
Grand Prix SE Sedan	97-03	24	SQ1	1-1/4	24659		TA, GP	3592	200/2,000		30
Montana	99-05	27	SQ1	1-1/4	24721†		†, AL, GP, JR	3592	200/2,000		30
		27	SQ2	1-1/4	36361		AL, GP, JR	36061	300/3,500		40
		22	SQ3	2	75278		AL, GP, JR		350/3,500	500/5,000	40
Montana SV6	05-06	27	SQ2	1-1/4	36361		AL, GP, JR	36061	300/3,500		40
		22	SQ3	2	75278		AL, GP, JR		350/3,500	500/5,000	40
Montana SV6 (Canada Only)	07-09	27	SQ2	1-1/4	36361		AL, GP, JR	36061	300/3,500		40
		22	SQ3	2	75278		AL, GP, JR		350/3,500	500/5,000	40
Pursuit 2 Dr. (Canada Only)	05-06	20	SQ1	1-1/4	24745		JR, HM	3593	200/2,000		40
Pursuit 4 Dr. (Canada Only)	05-06	20	SQ1	1-1/4	24745		JR, HM	3593	200/2,000		40
Solstice	06-08	21	SQ1	1-1/4	24833	0	HM, JR	3594	200/2,000		35
Solstice GXP	07-08	21	SQ1	1-1/4	24833	0	HM, JR, X	3594	200/2,000		35
Solstice	09	21	SQ1	1-1/4	24833		HM, JR	3594	200/2,000		40
Solstice GXP	09	21	SQ1	1-1/4	24833		HM, JR, X	3594	200/2,000		40
Sunfire Except GT	95-99	31	SQ1	1-1/4	24733		GP, JR	3592	200/2,000		40
Sunfire	00-02	36	SQ1	1-1/4	24613†		†, JR, KH, GP	3592	200/2,000		40
Sunfire	03-05	31	SQ1	1-1/4	24733		GP, JR	3592	200/2,000		40
Sunfire GT	95-99	36	SQ1	1-1/4	24613†		†, JR, KH, GP	3592	200/2,000		40
Torrent	06	18	SQ2	1-1/4	36408	0	HM	36051	300/3,500		25
		14	RT3	2	76028	0	HM		675/4,500	675/4,500	30
Torrent	07-09	18	SQ2	1-1/4	36408	0	HM	36051	300/3,500		25
		14	RT3	2	76028	0	HM		675/4,500	675/4,500	30
Trans Sport	97-98	27	SQ1	1-1/4	24721†		†, AL, GP, JR	3592	200/2,000		30
		27	SQ2	1-1/4	36361		AL, GP, JR	36061	300/3,500		40
		22	SQ3	2	75278		AL, GP, JR		350/3,500	500/5,000	40
Vibe	03-08	15	SQ1	1-1/4	24812	0	HM	3593	200/2,000		15
Vibe Except GT	09-10	15	SQ1	1-1/4	24812	0	HM	3593	200/2,000		15
Wave 5 Dr. (Canada Only)	05-07	20	SQ1	1-1/4	24741		GP	3593	200/2,000		30
Wave5 (Canada Only)	05-07	20	SQ1	1-1/4	24741		GP	3593	200/2,000		30
<b>PORSCHE</b>											
Cayenne	04-20										
Cayenne	11-18	45	SQ4	2	75950	0	GP, EP, TA		750/7,500		70
Cayenne	19-20										
Cayenne Coupe	20	45	SQ3	2	76338	0	GP, TZ, X		600/6,000		75
Macan	15-20	34	SQ3	2	75940	0	DU, EP, GP, TA		750/5,000		60
<b>RAM</b>											
1500	11-12	11	SQ4	2	75662		CP		600/6,000	1,000/10,000	20
		39	RT5	2	75232	0	CP		1,000/10,000	1,200/12,000	40
		39	SQ5	2	41948	0	@, HM, CP		1,500/12,000	1,500/15,000	30
1500 w/Factory 7-Way	11-18										
1500	13-14	11	SQ4	2	75662		CP		600/6,000	1,000/10,000	20
		39	RT5	2	75232	0	CP		1,000/10,000	1,200/12,000	40
		39	SQ5	2	41948	0	@, HM, CP		1,500/12,000	1,500/15,000	30

- @ Ultra Frame ball mount must be used to achieve maximum weight carrying rating.
- † Available while supply lasts.
- AL Additional installation time required for vehicles equipped with load leveling compressor.
- CP Fits all models without factory installed receiver.
- DU Fascia removal required.
- EP Fascia trimming may be required.
- GP Hitch crosstube concealed behind bumper.

- HM Hitch crosstube is visible beneath bumper.
- JR Exhaust must be temporarily lowered for installation.
- KH Minor heat shield modification may be required.
- TA Trunk access required for hitch installation.
- TZ Requires replacement of the impact structure with hitch.
- X Minor fascia trimming required.

T-ONE						TOW HARNESS						4-FLAT WIRING				REQ. 4 FLAT WIRING		7-WAY HARDWIRE	BRAKE CONTROL HARNESS	IN
PC	T-ONE	FN	IN	AMP	CP	PC	TOW HARN	FN	IN	AMP	CP	TYPE	ELEC	POS	CHOICE 1	CHOICE 2	6-WAY ADAPTER			
<b>PONTIAC (Continued)</b>																				
E13	118485	CG	15	2.1,7.5	X								B	PC3,4	119130	119178				
													B	PC3,4	119130	119178				
E5	118407	BN	15	7.5									A	PC1,2	119148	20252				
E5	118407	BN	15	7.5									A	PC1,2	119148	20252				
E7	118439	BN	15	7.5									A	PC3,4	119148	20252				
													B	PC3,4	119130	119178				
													B	PC3,4	119130	119178				
													A	PC3,4	119148	20252				
E10	118355	HG	10	2.1,5									A	PC3,4	119148	20252				
													B	SUV3	119130	119178	20320	20321	20224	
E10	118396	BN	15	7.5									A	SUV1,2	119148	20252	20320	20321	20224	
E10	118396	BN	15	7.5									A	SUV1,2	119148	20252	20320	20321	20224	
E5	118407	BN	15	7.5									A	PC1,2	119148	20252				
E8	118398	BN	10	7.5									A	PC1,2	119148	20252				
													A	PC1,2	119148	20252				
													A	PC1,2	119148	20252				
													A	PC1,2	119148	20252				
													A	PC1,2	119148	20252				
													A	PC3,4	119148	20252				
													A	PC3,4	119148	20252				
													A	PC3,4	119148	20252				
E8	118391	CG	10	2.1,5	X								B	SUV3	119130	119178	20320	20321	20224	
E7	118432	CE	10	7.5									B	SUV1,2	119130	119178	20320	20321	20224	
E10	118355	HG	10	2.1,5									B	SUV3	119130	119178	20320	20321	20224	
E11	118458	CG	15	2.1,5	X								B	SUV3,4	119130	119178				
E16	118460	CH	45	2.1,4.2	X								B,E	SUV3,4	119191	119148	20320	20321		
													B	PC3,4	119130	119178				
													B	PC3,4	119130	119178				
<b>PORSCHE</b>																				
													B,E	SUV1,2	119191	119148	20320	20321	20224	3072-P
													B,E	SUV1,2	119191	119148	20320	20321	20224	3072-P
													B,E	SUV1,2	119191	119148	20320	20321	20224	3072-P
													BT	SUV1,2	119251	119191	20320	20321	20224	
<b>RAM</b>																				
						E8	118384	BN,RD	5	7.5		4-Flat	A	PU3	119148	20252	20320	20321	20224	3021-P
E8	118384	BN,RD	5	7.5			74682 85219	RD RD	10 5			Both 7-Way	A	PU3	119148	20252				
						E8	118384	BN,RD	5	7.5		4-Flat	A	PU3	119148	20252	20320	20321	20224	3023-P

- A** 2 wire system.
- B** 3 wire system. Converter required.
- BN** Exterior mounted plug on some or all models. May require an aftermarket electrical mounting box or bracket. (Sold separately)
- BT** Shared Brake/Tail multiplexed wiring system. ModuLite® HD Plus or Ultra required.
- CE** T-One includes fuse(s) & relay(s). Converter not required. Standard 2 wire system at factory tow plug.
- CG** T-One incorporates circuit protected taillight converter.
- CH** T-One is equipped with circuit protected ModuLite® module.
- E** ModuLite® required.
- HG** T-One incorporates taillight converter.
- RD** For vehicles equipped with factory tow package may require additional components or may be used as a replacement harness.

- RT3** Round Tube Class III 2"
- RT5** Round Tube Class V 2"
- SQ1** Square Tube Class I
- SQ2** Square Tube Class II
- SQ3** Square Tube Class III
- SQ4** Square Tube Class IV
- SQ5** Square Tube Class V



# RECEIVER HITCH APPLICATIONS

MODEL / STYLE	YEAR	TRAILER HITCHES									
		PC	REC TYPE	REC SIZE	PART NO.	NO DRILL	FOOTNOTES	OPTIONAL DRAWBAR	WC (LBS.)	WD (LBS.)	IN
<i>For vehicles prior to 2001,</i>											
RAM (Continued)											
1500 (Classic)	13-20					0	HM,CP				30
1500	15-18	11	SQ4	2	75662		CP		600/6,000	1,000/10,000	20
		39	RT5	2	75232	0	CP		1,000/10,000	1,200/12,000	40
		39	SQ5	2	41948	0	@,HM,CP		1,500/12,000	1,500/15,000	30
1500 (Classic)	15-20					0	HM,CP				30
1500	19-20	11	SQ3	2	76328		CP		600/6,000		15
1500 (Classic)	19	11	SQ4	2	75662		CP		600/6,000	1,000/10,000	20
		39	RT5	2	75232	0	CP		1,000/10,000	1,200/12,000	40
		39	SQ5	2	41948	0	@,HM,CP		1,500/12,000	1,500/15,000	30
1500 (New Body Style)	19-20	59	SQ5	2	41913	0	@,AA,EF,J,LT		1,700/15,000	1,700/17,000	60
1500	21	11	SQ3	2	76328		CP		600/6,000		15
1500 (New Body Style)	21	59	SQ5	2	41913	0	@,AA,EF,J,LT		1,700/15,000	1,700/17,000	60
2500	11-12	37	SQ5	2	41929		@,GP,KL,SG		1,200/12,000	1,500/15,000	35
		66	SQ5	2-1/2	45509		#,AA,GH,HM,LT,SO,TO		2,000/18,000	2,500/18,000	95
2500 Except Mega Cab	11-12	63	SQ5	2-1/2	45518		#,KL,SB		1,200/12,000	1,700/14,000	35
2500 w/Factory 7-Way	11-17										
2500	13-14	37	SQ5	2	41929		@,GP,KL,SG		1,200/12,000	1,500/15,000	35
		66	SQ5	2-1/2	45509		#,AA,GH,HM,LT,SO,TO		2,000/18,000	2,500/18,000	95
2500	13-21										
2500 Except Mega Cab	13-14	63	SQ5	2-1/2	45518		#,KL,SB		1,200/12,000	1,700/14,000	35
2500	15-21	37	SQ5	2	41929		@,GP,KL,SG		1,200/12,000	1,500/15,000	35
		66	SQ5	2-1/2	45509		#,AA,GH,HM,LT,SO,TO		2,000/18,000	2,500/18,000	95
2500 Except Mega Cab	15-20	63	SQ5	2-1/2	45518		#,KL,SB		1,200/12,000	1,700/14,000	35
2500 w/Factory 7-Way	15-21										
3500	11-12	37	SQ5	2	41929		@,GP,KL,SG		1,200/12,000	1,500/15,000	35
		66	SQ5	2-1/2	45509		#,AA,GH,HM,LT,SO,TO		2,000/18,000	2,500/18,000	95
3500 Cab & Chassis, w/34" Wide Frames	11-12	29	SQ5	2	41936		@		1,200/12,000		30
		55	SQ5	2	41947		@		1,600/15,000	1,600/16,000	35
3500 Except Mega Cab	11-12	63	SQ5	2-1/2	45518		#,KL,SB		1,200/12,000	1,700/14,000	35
3500 w/Factory 7-Way	11-17										
3500	13-14	37	SQ5	2	41929		@,GP,KL,SG		1,200/12,000	1,500/15,000	35
		66	SQ5	2-1/2	45509		#,AA,GH,HM,LT,SO,TO		2,000/18,000	2,500/18,000	95
3500 Except Mega Cab	13-14	63	SQ5	2-1/2	45518		#,KL,SB		1,200/12,000	1,700/14,000	35
3500 w/Factory 7-Way	13-21										
3500	15-21	37	SQ5	2	41929		@,GP,KL,SG		1,200/12,000	1,500/15,000	35
		66	SQ5	2-1/2	45509		#,AA,GH,HM,LT,SO,TO		2,000/18,000	2,500/18,000	95
3500 Except Mega Cab	15-20	63	SQ5	2-1/2	45518		#,KL,SB		1,200/12,000	1,700/14,000	35
3500	19-18										
4500 Cab & Chassis, w/34" Wide Frames	11-12	29	SQ5	2	41936		@		1,200/12,000		30
		55	SQ5	2	41947		@		1,600/15,000	1,600/16,000	35
4500 Cab & Chassis, w/34" Wide Frames	13-18	38	SQ5	2	41952		@		1,500/15,000	1,600/16,000	45
5500 Cab & Chassis, w/34" Wide Frames	11-12	29	SQ5	2	41936		@		1,200/12,000		30
		55	SQ5	2	41947		@		1,600/15,000	1,600/16,000	35
5500 Cab & Chassis, w/34" Wide Frames	13-18	38	SQ5	2	41952		@		1,500/15,000	1,600/16,000	45
C/V Tradesman	12-15	24	SQ2	1-1/4	36455	0	GP,JR	36061	300/3,500		20
		19	SQ3	2	75579	0	GP,JR		400/4,000	500/5,000	20
Dakota	11	27	SQ3	2	75251		HM		500/5,000	800/8,000	20
ProMaster 1500 All Models	14-21	25	SQ3	2	76050	0	AA,DU,GP		500/5,000		45
ProMaster 1500 Except w/Extended Body	14-20	56	RT4	2	75882		HM		750/6,000	750/7,500	45
ProMaster 2500 All Models	14-21	25	SQ3	2	76050	0	AA,DU,GP		500/5,000		45
ProMaster 2500 Except w/Extended Body	14-20	56	RT4	2	75882		HM		750/6,000	750/7,500	45
ProMaster 3500 All Models	14-21	25	SQ3	2	76050	0	AA,DU,GP		500/5,000		45
ProMaster 3500 Except w/Extended Body	14-20	56	RT4	2	75882		HM		750/6,000	750/7,500	45

#	Titan hitches require use of a 2-1/2" shank Titan ball mount.	J	Under vehicle spare tire storage is retained.
@	Ultra Frame ball mount must be used to achieve maximum weight carrying rating.	JR	Exhaust must be temporarily lowered for installation.
AA	Requires temporary removal of bumper during installation.	KL	Hitch is designed to attach beneath the OEM hitch.
CP	Fits all models without factory installed receiver.	LT	Requires removal of factory hitch if equipped.
DU	Fascia removal required.	SB	Will not fit models with short bed.
EF	Fits all models with standard bumpers.	SG	Hitches produced before 09/10/07 are rated at 1000/10000 WC & 1200/12000 WD.
GH	Will not fit models with 34 in. wide frames.	SO	With this hitch installed the step bumper is no longer able to be used as a towing point.
GP	Hitch crosstube concealed behind bumper.	TO	Will not fit models equipped Chassis Cab spring mount.
HM	Hitch crosstube is visible beneath bumper.		

T-ONE						TOW HARNESS						4-FLAT WIRING				REQ. 4 FLAT WIRING		7-WAY HARDWIRE	BRAKE CONTROL HARNESS	IN	
PC	T-ONE	FN	IN	AMP	CP	PC	TOW HARN	FN	IN	AMP	CP	TYPE	ELEC	POS	CHOICE 1	CHOICE 2	6-WAY ADAPTER				7-WAY ADAPTER
<b>RAM (Continued)</b>																					
						E8	118384	BN,RD	5	7.5		4-Flat	A	PU3	119148	20252	20320	20321	20224	30235-P	30
						E8	118384	BN,RD	5	7.5		4-Flat	A	PU3	119148	20252	20320	20321	20224	3024-P	5
						E8	118384	BN,RD	5	7.5		4-Flat	A	PU3	119148	20252	20320	20321	20224	3024-P	5
						E8	118384	BN,RD	5	7.5		4-Flat	A	PU3	119148	20252	20320	20321	20224	3024-P	5
													A	PU3						3024-P	5
													A	PU3	119148	20252	20320	20321	20224		
													A	PU3							
						E8	118384	BN,RD	5	7.5		4-Flat	A	PU3	119148	20252	20320	20321	20224	3021-P	5
						E8	118384	BN,RD	5	7.5		4-Flat	A	PU3	119148	20252	20320	20321	20224	3021-P	5
E8	118384	BN,RD	5	7.5			85219	RD	5			7-Way	A	PU3	119148	20252					
						E8	118384	BN,RD	5	7.5		4-Flat	A	PU3	119148	20252	20320	20321	20224	3023-P	10
																				30235-P	30
						E8	118384	BN,RD	5	7.5		4-Flat	A	PU3	119148	20252	20320	20321	20224	3023-P	10
						E8	118384	BN,RD	5	7.5		4-Flat	A	PU3	119148	20252	20320	20321	20224	3024-P	5
E8	118384	BN,RD	5	7.5			74682	RD	10			Both	A	PU3	119148	20252				3024-P	5
						E8	118384	BN,RD	5	7.5		4-Flat	A	PU3	119148	20252	20320	20321	20224	3021-P	5
													C	PU1,2	119191	119148	20320	20321	20224		
						E8	118384	BN,RD	5	7.5		4-Flat	A	PU3	119148	20252	20320	20321	20224	3021-P	5
E8	118384	BN,RD	5	7.5			85219	RD	5			7-Way	A	PU3	119148	20252					
						E8	118384	BN,RD	5	7.5		4-Flat	A	PU3	119148	20252	20320	20321	20224	3023-P	10
						E8	118384	BN,RD	5	7.5		4-Flat	A	PU3	119148	20252	20320	20321	20224	3023-P	10
E8	118384	BN,RD	5	7.5			74682	RD	10			Both	A	PU3	119148	20252				30235-P	30
						E8	118384	BN,RD	5	7.5		4-Flat	A	PU3	119148	20252	20320	20321	20224	3024-P	5
						E8	118384	BN,RD	5	7.5		4-Flat	A	PU3	119148	20252	20320	20321	20224	3024-P	5
													A	PU3	119191	119148	20320	20321	20224		
													A	PU3	119191	119148	20320	20321	20224		
													A	PU3	119191	119148	20320	20321	20224		
E18	118534	BN,CH	45	4.2,7.5	X		22121		90			7-Way	C,E	SUV1,2	119191	119148	20320	20321	20224		
E8	118323	BN,HJ	10	7.5									A	PU1,2	119148	20252	20320	20321	20224	3020-P	5
E18	118618	CH	45	4.2,7.5	X		22112	BN	60			7-Way	B,E	SUV3,4	119191	119148	20320	20321	20224		
E18	118618	CH	45	4.2,7.5	X		22112	BN	60			7-Way	B,E	SUV3,4	119191	119148	20320	20321	20224		
E18	118618	CH	45	4.2,7.5	X		22112	BN	60			7-Way	B,E	SUV3,4	119191	119148	20320	20321	20224		
E18	118618	CH	45	4.2,7.5	X		22112	BN	60			7-Way	B,E	SUV3,4	119191	119148	20320	20321	20224		
E18	118618	CH	45	4.2,7.5	X		22112	BN	60			7-Way	B,E	SUV3,4	119191	119148	20320	20321	20224		

- A** 2 wire system.
- B** 3 wire system. Converter required.
- BN** Exterior mounted plug on some or all models. May require an aftermarket electrical mounting box or bracket. (Sold separately)
- C** 2 or 3 wire system determine at installation.

- CH** T-One is equipped with circuit protected ModuLite® module.
- E** ModuLite® required.
- HJ** Per Dodge owner's manual: If trailer is equipped with more than standard lighting (1 taillight per side) use of ModuLite® or dealer supplied harness is required.
- RD** For vehicles equipped with factory tow package may require additional components or may be used as a replacement harness.

- RT4** Round Tube Class IV 2"
- RT5** Round Tube Class V 2"
- SQ2** Square Tube Class II
- SQ3** Square Tube Class III
- SQ4** Square Tube Class IV
- SQ5** Square Tube Class V

# RECEIVER HITCH APPLICATIONS

RECEIVER HITCHES

R - RAM

MODEL / STYLE	YEAR	TRAILER HITCHES									
		PC	REC TYPE	REC SIZE	PART NO.	NO DRILL	FOOTNOTES	OPTIONAL DRAWBAR	WC (LBS.)	WD (LBS.)	IN
<i>For vehicles prior to 2001,</i>											
<b>RAM (Continued)</b>											
ProMaster City	15-20	37	SQ3	2	75219	0	GP		350/3,500		60
ProMaster City	18-20										
<b>SAAB</b>											
9-3	99-02	34	SQ2	1-1/4	36280†		JR,GP	36053	300/3,500		30
9-3 Convertible	03	34	SQ2	1-1/4	36280†		JR,GP	36053	300/3,500		30
9-5	99-05	41	SQ2	1-1/4	36286†	0	TA,HM	36051	300/3,500		30
9-7X w/Factory 7-Way	05-09										
<b>SATURN</b>											
Astra Hatchback	08-09	34	SQ1	1-1/4	24809†	0	†,GP,JR	3594	200/2,000		25
Aura	07-09	24	SQ2	1-1/4	36479		GP,JR,RB	36065	300/3,500		45
Ion Except Redline & w/2.4 Liter Engine	03-07	31	SQ1	1-1/4	24734		JR,GP	3593	200/2,000		35
Ion 3 w/2.4 Liter Engine	05-07	30	SQ1	1-1/4	24756		HM,JR	3594	200/2,000		25
Ion Red Line	04-06	30	SQ1	1-1/4	24756		HM,JR	3594	200/2,000		25
L100	01-02	14	SQ1	1-1/4	24685†		†,TA,GP	3590	200/2,000		35
L200	01-02	14	SQ1	1-1/4	24685†		†,TA,GP	3590	200/2,000		35
L300	01-02	14	SQ1	1-1/4	24685†		†,TA,GP	3590	200/2,000		35
LS	00	14	SQ1	1-1/4	24685†		†,TA,GP	3590	200/2,000		35
LS1	00	14	SQ1	1-1/4	24685†		†,TA,GP	3590	200/2,000		35
LS2	00	14	SQ1	1-1/4	24685†		†,TA,GP	3590	200/2,000		35
LW200 Wagon	03	14	SQ1	1-1/4	24685†		†,TA,GP	3590	200/2,000		35
LW300 Wagon	03	14	SQ1	1-1/4	24685†		†,TA,GP	3590	200/2,000		35
Outlook	07-09	19	RT3	2	75528	0	GP,JR,TN		750/5,000	750/7,500	25
Outlook w/Factory 7-Way	07-09										
Relay	05-07	27	SQ2	1-1/4	36361		AL,GP,JR	36061	300/3,500		40
		22	SQ3	2	75278		AL,GP,JR		350/3,500	500/5,000	40
SC1 2 Dr. Coupe	96-02	33	SQ1	1-1/4	24620		HM,JR,KH,TA	3592	200/2,000		40
SC2 2 Dr. Coupe	96-02	33	SQ1	1-1/4	24620		HM,JR,KH,TA	3592	200/2,000		40
Sky	07-09	21	SQ1	1-1/4	24833	0	HM,JR	3594	200/2,000		35
SL 4 Dr. Sedan	91-02	33	SQ1	1-1/4	24620		HM,JR,KH,TA	3592	200/2,000		40
SL1 4 Dr. Sedan	91-02	33	SQ1	1-1/4	24620		HM,JR,KH,TA	3592	200/2,000		40
SL2 4 Dr. Sedan	91-02	33	SQ1	1-1/4	24620		HM,JR,KH,TA	3592	200/2,000		40
SW1 Wagon	93-99	33	SQ1	1-1/4	24620		HM,JR,KH,TA	3592	200/2,000		40
SW2 Wagon	93-01	33	SQ1	1-1/4	24620		HM,JR,KH,TA	3592	200/2,000		40
Vue Except Redline	02-07	18	SQ2	1-1/4	36408	0	HM	36051	300/3,500		25
		14	RT3	2	76028		HM		675/4,500	675/4,500	30
Vue	08-09	25	SQ2	1-1/4	36450	0	GP	36061	300/3,500		15
		30	SQ3	2	75556	0	GP		400/4,000	400/4,000	15
<b>SCION</b>											
FR-S	13-16	30	SQ1	1-1/4	24935	0	GP	3593	200/2,000		75
iA	16	32	RT1	1-1/4	24948	0	HM	3593	200/2,000		30
iM	16	20	SQ1	1-1/4	24952	0	GP,JR,SV	3593	200/2,000		40
tC	05-06	11	SQ1	1-1/4	24827		GP	3593	200/2,000		30
tC	07-10	11	SQ1	1-1/4	24827		GP	3593	200/2,000		30
tC Except Release Series	11-13	13	SQ1	1-1/4	24815	0	GP	3593	200/2,000		15
tC Except Dual Exhaust	14-16	13	SQ1	1-1/4	24921	0	GP	3592	200/2,000		15
xB	04-06	22	SQ1	1-1/4	28501	0	JR,GP	28451	200/2,000		25
xB Except Release Series	08-10	13	SQ1	1-1/4	24815	0	GP	3593	200/2,000		15
xB Except Release Series	11-13	13	SQ1	1-1/4	24815	0	GP	3593	200/2,000		15

- † Available while supply lasts.
- AL Additional installation time required for vehicles equipped with load leveling compressor.
- GP Hitch crosstube concealed behind bumper.
- HM Hitch crosstube is visible beneath bumper.
- JR Exhaust must be temporarily lowered for installation.
- KH Minor heat shield modification may be required.
- RB Hitch installation can be made easier with a cutter type drill bit.
- SV Trimming or removal of under body appearance panel may be required.
- TA Trunk access required for hitch installation.
- TN Hitches produced before 07/09/12 are rated at 500/5000 WC & 500/5000 WD.

T-ONE						TOW HARNESS					4-FLAT WIRING				REQ. 4 FLAT WIRING		7-WAY HARDWARE	BRAKE CONTROL HARNESS	IN		
PC	T-ONE	FN	IN	AMP	CP	PC	TOW HARN	FN	IN	AMP	CP	TYPE	ELEC	POS	CHOICE 1	CHOICE 2				6-WAY ADAPTER	7-WAY ADAPTER
<b>RAM (Continued)</b>																					
E18	118719	CH, BN	45	4.2, 7.5	X								BT	SUV1,2	119192	119191					
E18	118719	CH, BN	45	4.2, 7.5	X								BT	SUV1,2	119192	119191					
<b>SAAB</b>																					
													B,E	PC1,2	119191	119148					
													B,E	PC1,2	119191	119148					
													B,E	PC1,2	119191	119148					
						E8	118384 74682 8551511 85219	BN, RD RD RD	5 10 5	7.5			4-Flat Both 7-Way 7-Way	H	SUV6	119148	20252				
<b>SATURN</b>																					
E12	118423	BN, HG	15	2.1, 4.2									A,E	PC1,2	119191	119148					
													B,E	PC1,2	119191	119148					
													B	PC3,4	119130	119178					
													B	PC3,4	119130	119178					
													B	PC3,4	119130	119178					
													B	PC3,4	119130	119178					
													B	PC3,4	119130	119178					
													B	PC3,4	119130	119178					
													B	PC3,4	119130	119178					
													B	PC3,4	119130	119178					
													B	PC3,4	119130	119178					
E10	118434	BN	15	7.5		E8	118384 74682 8551511 85219	BN, RD RD RD	5 10 5	7.5		4-Flat Both 7-Way 7-Way	N	SUV1,2 SUV6	119251	119251	20320	20321		3026-P	5
E10	118396	BN	15	7.5									A	SUV1,2	119148	20252	20320	20321	20224		
													B	PC3,4	119130	119178					
													B	PC3,4	119130	119178					
													A	PC1,2	119148	20252					
													B	PC3,4	119130	119178					
													B	PC3,4	119130	119178					
													B	PC3,4	119130	119178					
													B	PC3,4	119130	119178					
E16	118418	BN, CG	20	2.1, 5	X								B	SUV1,2	119130	119178	20320	20321	20224		
E19	118443	CH	45	2.1, 4.2	X								B,E	SUV3,4	119191	119148	20320	20321	20224		
<b>SCION</b>																					
E16	118629	CH	45	2.1, 5.6	X								B,E	PC3,4	119191	119148					
E15	118728	CH, BN	45	5.7, 5	X								B,E	PC1,2	119191	119148					
E16	118729	BN, CH	45	5.7, 5	X								B,E	PC3,4							
													B	PC1,2	119130	119178					
E13	118484	CG	15	2.1, 5	X								B	PC1,2	119130	119178					
													B	PC1,2	119130	119178					
E18	118615	CH	45	2.1, 5.6	X								B,E	PC3,4	119191	119148					
E12	118414	CG	20	2.1, 5	X								B	SUV3,4	119130	119178					
E18	118468	CH	45	2.1, 5.6	X								B,E	SUV3,4	119191	119148	20320	20321			
E16	118460	CH	45	2.1, 4.2	X								B,E	SUV3,4	119191	119148	20320	20321			

**A** 2 wire system.  
**B** 3 wire system. Converter required.  
**BN** Exterior mounted plug on some or all models. May require an aftermarket electrical mounting box or bracket. (Sold separately)  
**BT** Shared Brake/Tail multiplexed wiring system. ModuLite® HD Plus or Ultra required.  
**CG** T-One incorporates circuit protected taillight converter.  
**CH** T-One is equipped with circuit protected ModuLite® module.  
**E** ModuLite® required.  
**H** 3 wire system with OEM standard 2 wire harness.  
**HG** T-One incorporates taillight converter.  
**N** DO NOT cut or splice vehicle wiring. Only use approved T-One or see auto dealer for trailer tow wiring kit.  
**RD** For vehicles equipped with factory tow package may require additional components or may be used as a replacement harness.

**RT1** Round Tube Class I 1-1/4"  
**RT3** Round Tube Class III 2"  
**SQ1** Square Tube Class I  
**SQ2** Square Tube Class II  
**SQ3** Square Tube Class III

# RECEIVER HITCH APPLICATIONS

RECEIVER HITCHES

S - SCION

MODEL / STYLE	YEAR	TRAILER HITCHES									
		PC	REC TYPE	REC SIZE	PART NO.	NO DRILL	FOOTNOTES	OPTIONAL DRAWBAR	WC (LBS.)	WD (LBS.)	IN
<i>For vehicles prior to 2001,</i>											
<b>SCION (Continued)</b>											
xD	08-10	14	SQ1	1-1/4	24828	0	GP, JR	3593	200/2,000		20
<b>STERLING TRUCK</b>											
Bullet 45 w/34" Wide Frames	08-09	29	SQ5	2	41936		@		1,200/12,000		30
		55	SQ5	2	41947		@		1,600/15,000	1,600/16,000	35
Bullet 55 w/34" Wide Frames	08-09	29	SQ5	2	41936		@		1,200/12,000		30
		55	SQ5	2	41947		@		1,600/15,000	1,600/16,000	35
<b>SUBARU</b>											
Ascent	19-20	35	SQ3	2	76253	0	DU, J, TZ		750/5,000		60
Ascent	21	35	SQ3	2	76253	0	DU, J, TZ		750/5,000		60
B9 Tribeca	06-07	33	SQ3	2	75401	0	GP, JR		350/3,500	400/4,000	35
Baja	03-06	39	SQ1	1-1/4	24735†	0	†, HM	3590	200/2,000		20
BRZ	13-20	30	SQ1	1-1/4	24935	0	GP	3593	200/2,000		75
Crosstrek Except Hybrid	16-17	24	RT3	2	76084	0	HM, JR, KH		525/3,500		20
Crosstrek Hybrid	16-17	24	RT3	2	76084	0	HM, JR, KH		525/3,500		20
Crosstrek Except Hybrid	18-21	22	RT2	1-1/4	36644	0	JR, HM	36051	350/3,500		60
		26	RT3	2	76209	0	JR, HM		675/4,500		60
Crosstrek Hybrid	18-21	22	RT2	1-1/4	36644	0	JR, HM	36051	350/3,500		60
		26	RT3	2	76209	0	JR, HM		675/4,500		60
		26	RT3	2	76209	0	JR, HM		675/4,500		60
Forester	98-08	20	SQ2	1-1/4	36311	0	GP, JR	36051	300/3,500		30
Forester	09-13	28	SQ1	1-1/4	24807		HM, JR	3594	200/2,000		35
		27	RT2	1-1/4	36521		HM, JR	36061	300/3,500		35
		27	SQ3	2	75650		HM, JR, TQ		600/4,000		35
Forester	14-18	21	SQ2	1-1/4	36523		HM, JR, KH	36053	300/3,500		30
		21	RT3	2	75876	0	HM, JR, KH		525/3,500	525/4,000	25
		34	SQ3	2	76182	0	DU, FE, GP, JR		525/3,500		60
Forester	19-21	21	SQ2	1-1/4	36671	0		36071	350/3,500		30
		21	RT3	2	76271	0	JR, KH		525/3,500	525/3,500	30
Impreza	93-01	25	SQ1	1-1/4	24710	0	JR, GP	3593	200/2,000		30
Impreza Except WRX STi	02-07	25	SQ1	1-1/4	24710	0	JR, GP	3593	200/2,000		30
Impreza 4 Dr. Sedan	08-11	28	SQ1	1-1/4	24807		HM, JR	3594	200/2,000		35
Impreza 5 Dr. Wagon, Except WRX STi & w/Quad Exhaust Outlets	08-11	19	RT1	1-1/4	24959		HM, JR	3593	200/2,000		45
Impreza 4 Dr. Sedan, Except WRX & WRX STi	12-16	25	SQ1	1-1/4	24888†		†, HM, JR	3594	200/2,000		30
		25	SQ1	1-1/4	24960	0	HM, JR, KH	3594	200/2,000		40
Impreza 5 Dr. Wagon, Except WRX STi & w/Quad Exhaust Outlets	12-16	19	RT1	1-1/4	24959		HM, JR	3593	200/2,000		20
Impreza 4 Dr. Sedan, Except WRX & WRX STi	17-20	25	SQ1	1-1/4	24960	0	HM, JR, KH	3594	200/2,000		40
Impreza 5 Dr. Wagon, Except WRX STi & w/Quad Exhaust Outlets	17-20	19	RT1	1-1/4	24959		HM, JR	3593	200/2,000		20
Impreza 5 Dr. Wagon, Except WRX STi & w/Quad Exhaust Outlets	18-20	22	RT2	1-1/4	36644		HM, JR	36051	350/3,500		60
		26	RT3	2	76209	0	HM, JR		675/4,500		60
Legacy Coupe & Sedan	90-99	48	SQ2	1-1/4	36234†		KH, HM	36071	300/3,500		25
Legacy Wagon, Except Outback	96-99	48	SQ2	1-1/4	36234†		KH, HM	36061	300/3,500		20
Legacy Wagon, Outback	96-99	48	SQ2	1-1/4	36234†		KH, HM	36061	300/3,500		20
Legacy Sedan, Except Outback	00-04	46	SQ2	1-1/4	36284	0	HM	36061	300/3,500		20
Legacy Wagon, Except Outback	00-04	46	SQ2	1-1/4	36284	0	HM	36061	300/3,500		20
Legacy Sedan, Except Outback	05-07	35	SQ2	1-1/4	36334	0	JR, HM	36071	300/3,500		25
		40	SQ3	2	75560	0	JR		400/4,000		25
Legacy Wagon, Except Outback	05-07	35	SQ2	1-1/4	36334	0	JR, HM	36053	300/3,500		25
		40	SQ3	2	75560	0	JR		400/4,000		25
Legacy Sedan	08-09	35	SQ2	1-1/4	36334	0	JR, HM	36071	300/3,500		25
		40	SQ3	2	75560	0	JR		400/4,000		25
Legacy Sedan	10-14	25	SQ2	1-1/4	36493		HM, JR, KH	36071	300/3,500		45
		30	SQ3	2	75673		HM, JR, KH, TI		600/4,000		45
Legacy Sedan	15-19	25	SQ2	1-1/4	36493		HM, JR, KH	36071	300/3,500		45
		30	SQ3	2	75673		HM, JR, KH, TI		600/4,000		45

- @ Ultra Frame ball mount must be used to achieve maximum weight carrying rating.
- † Available while supply lasts.
- DU Fascia removal required.
- FE Fascia trimming may be required. Allow additional installation time.
- GP Hitch cross-tube concealed behind bumper.
- HM Hitch cross-tube is visible beneath bumper.

- J Under vehicle spare tire stowage is retained.
- JR Exhaust must be temporarily lowered for installation.
- KH Minor heat shield modification may be required.
- TI Hitches produced before 06/06/11 are rated at 400/4000 WC.
- TQ Hitches produced before 07/30/12 are rated at 350/3500 WC.
- TZ Requires replacement of the impact structure with hitch.

T-ONE					TOW HARNESS					4-FLAT WIRING				REQ. 4 FLAT WIRING		7-WAY HARDWARE	BRAKE CONTROL HARNESS	IN			
PC	T-ONE	FN	IN	AMP	CP	PC	TOW HARN	FN	IN	AMP	CP	TYPE	ELEC	POS	CHOICE 1				CHOICE 2	6-WAY ADAPTER	7-WAY ADAPTER
SCION (Continued)																					
													B	PC3,4	119130	119178					
STERLING TRUCK																					
													C	PU1,2	119191	119148	20320	20321	20224		
													C	PU1,2	119191	119148	20320	20321	20224		
SUBARU																					
E10	118790	CH		5,7.5		E30	118290	CH,BN	45	4,2,12	X	7-Way	B,E	SUV3						3062-P	10
E10	118790	CH		5,7.5									B,E	SUV3							
E12	118461	CH	10	2,1,4,2	X								B,E	SUV8	119191	119148	20320	20321	20224		
													B,E	SUV1,2	119191	119148					
E16	118629	CH	45	2,1,5,6	X								B,E	PC3,4	119191	119148					
E11	118467	CH	15	2,1,5,6	X								B,E	SUV1,2	119191	119148	20320	20321			
													B,E	SUV1,2	119191	119148	20320	20321			
													B,E	SUV1,2	119191	119148	20320	20321			
E12	118461	CH	10	2,1,4,2	X								B,E	SUV4	119191	119148					
E11	118467	CH	15	2,1,5,6	X								B,E	SUV8	119191	119148	20320	20321	20224		
													B,E	SUV8	119191	119148	20320	20321	20224		
E11	118467	CH	15	2,1,5,6	X								B,E	SUV8	119191	119148	20320	20321	20224		
													B,E	PC1,2	119191	119148					
													B,E	PC1,2	119191	119148					
E17	118464	CH	45	2,1,5,6	X								B,E	PC3,4	119191	119148					
													B,E	PC3,4	119191	119148					
E15	118581	CH	45	2,1,5,6	X								B,E	PC3,4	119191	119148					
E19	118573	CH	45	2,1,5,6	X								B,E	PC3,4	119191	119148					
E16	118629	CH	45	2,1,5,6	X								B,E	PC3,4	119191	119148					
E17	118744	CH,BN	45	5,7,5	X								B,E	PC3,4	119191	119148					
E17	118744	CH,BN	45	5,7,5	X								B,E	PC1,2	119191	119148					
													B,E	PC3,4	119191	119148					
													B,E	PC3,4	119191	119148					
E12	118461	CH	10	2,1,4,2	X								B,E	PC3,4	119191	119148					
													B,E	PC3,4	119191	119148					
													B,E	PC3,4	119191	119148					
													B,E	PC3,4	119191	119148	20320	20321	20224		
E12	118461	CH	10	2,1,4,2	X								B,E	PC3,4	119191	119148	20320	20321	20224		
													B,E	PC3,4	119191	119148	20320	20321	20224		
E14	118511	CH	45	2,1,5,6	X								B,E	PC3,4	119191	119148	20320	20321	20224		
E15	118671	CH	45	4,2,7,5	X								B,E	PC3,4	119191	119148	20320	20321	20224		

**B** 3 wire system. Converter required.

**BN** Exterior mounted plug on some or all models. May require an aftermarket electrical mounting box or bracket. (Sold separately)

**C** 2 or 3 wire system determine at installation.

**CH** T-One is equipped with circuit protected ModuLite® module.

**E** ModuLite® required.

**RT1** Round Tube Class I 1-1/4"

**RT2** Round Tube Class II 1-1/4"

**RT3** Round Tube Class III 2"

**SQ1** Square Tube Class I

**SQ2** Square Tube Class II

**SQ3** Square Tube Class III

**SQ5** Square Tube Class V

# RECEIVER HITCH APPLICATIONS

RECEIVER HITCHES

S - SUBARU

MODEL / STYLE	YEAR	TRAILER HITCHES									
		PC	REC TYPE	REC SIZE	PART NO.	NO DRILL	FOOTNOTES	OPTIONAL DRAWBAR	WC (LBS.)	WD (LBS.)	IN
<i>For vehicles prior to 2001,</i>											
<b>SUBARU (Continued)</b>											
Legacy Sedan	20	30	RT3	2	76332	0	HM,JR,KH		675/4,500		40
Outback Sedan, Except Sport	00-04	46	SQ2	1-1/4	36284	0	HM	36053	300/3,500		20
Outback Wagon, Except Sport	00-04	46	SQ2	1-1/4	36284	0	HM	36053	300/3,500		20
Outback Sedan, Except Sport	05-07	35	SQ2	1-1/4	36334	0	JR,HM	36071	300/3,500		25
		40	SQ3	2	75560	0	JR		400/4,000		25
Outback Wagon, Except Sport	05-09	35	SQ2	1-1/4	36334	0	JR,HM	36053	300/3,500		25
		40	SQ3	2	75560	0	JR		400/4,000		25
Outback Wagon, Except Sport	10-19	25	SQ2	1-1/4	36493		HM,JR,KH	36051	300/3,500		45
		7690	SQ3	2	76907	0	AA,AL,DU,FE,X		400/4,000		45
		30	SQ3	2	75673		HM,JR,KH,TI		600/4,000		45
		35	SQ3	2	76227	0	AA,AL,DU,FE,X		600/4,000		45
Outback Wagon	20	35	SQ3	2	76333	0	HM,JR,KH		525/3,500		40
		30	RT3	2	76332	0	HM,JR,KH		675/4,500		40
Tribeca	08-10	33	SQ3	2	75401	0	GP,JP		350/3,500	400/4,000	35
Tribeca	11-14	35	SQ3	2	75716	0	GP		525/3,500	525/5,250	30
WRX	18-20										
WRX STI	15-20	20	SQ1	1-1/4	24968	0	JR,KH	3593	200/2,000		60
XV Crosstrek Except Hybrid	13-15	19	RT1	1-1/4	24959		HM,JR	3593	200/2,000		30
		24	RT3	2	76084	0	HM,JR,KH,SY		525/3,500		20
XV Crosstrek Hybrid	13-15	19	RT1	1-1/4	24959		HM,JR	3593	200/2,000		30
<b>SUZUKI</b>											
Equator	09-12	20	SQ3	2	75282	0	GP,TE		750/5,000	800/8,000	30
Equator w/Factory Tow Package	09-12										
Grand Vitara	99-05	29	SQ1	1-1/4	24673	0	HM	3591	200/2,000		15
		29	SQ3	2	41537	0	HM		350/3,500		15
Grand Vitara Except 3 Dr Hatchback	06-13	24	SQ1	1-1/4	24764†	0	†,EP,HM	3591	200/2,000		20
		30	SQ3	2	75448	0	EP		350/3,500	400/4,000	20
Sidekick Except Sport Model	96-98	24	SQ1	1-1/4	24622	0	HM	3593	200/2,000		20
Swift+ 5 Dr. (Canada Only)	04-09	20	SQ1	1-1/4	24741		GP	3593	200/2,000		30
SX4 Crossover	07-11	18	SQ1	1-1/4	24817		HM,JR	3594	200/2,000		40
Vitara	99-04	29	SQ1	1-1/4	24673	0	HM	3591	200/2,000		15
		29	SQ3	2	41537	0	HM		350/3,500		15
X-90	96-98	24	SQ1	1-1/4	24622	0	HM,HP	3593	200/2,000		20
XL-7	02-06	29	SQ1	1-1/4	24673	0	HM	3591	200/2,000		15
		29	SQ3	2	41537	0	HM		350/3,500		15
XL-7	07-09	29	SQ3	2	75529	0	HM		400/4,000	400/4,000	30
<b>TESLA</b>											
S	12-20	37	SQ1	1-1/4	24958	0	GP,AA,EP,DU,SV,TA	3593	200/2,000		150
X	16-20	40	SQ3	2	76143	0	GP,DU,SV,TZ,X		750/5,000		75
<b>TOYOTA</b>											
4Runner	96-00	42	RT3	2	75091	0			500/5,000	550/5,500	30
4Runner	01-02	42	RT3	2	75091	0			500/5,000	550/5,500	30
4Runner	03-06	47	RT4	2	75155	0	FELT,SI		600/6,000	730/7,300	35
4Runner w/Factory 7-Way	03-13										
4Runner	07-09	47	RT4	2	75155	0	FELT,SI		600/6,000	730/7,300	35
4Runner	10-11										
4Runner w/Factory 7-Way	10-11										
4Runner	14-21										
86	17-20	30	SQ1	1-1/4	24935	0	GP	3593	200/2,000		75

- |  |   |
|--|---|
| † Available while supply lasts.  | <b>KH</b> Minor heat shield modification may be required.   |
| <b>AA</b> Requires temporary removal of bumper during installation.  | <b>LT</b> Requires removal of factory hitch if equipped.  |
| <b>AI</b> Additional installation time may be required.  | <b>SI</b> Hitches produced before 07/31/07 are rated at 350/3500 WC & 500/5000 WD.                              |
| <b>DU</b> Fascia removal required.   | <b>SV</b> Trimming or removal of under body appearance panel may be required.                                   |
| <b>EP</b> Fascia trimming may be required.   | <b>SY</b> Hitch cross-tube is visible beneath bumper with a more than normal gap between fascia and cross-tube. |
| <b>FE</b> Fascia trimming may be required. Allow additional installation time.                                     | <b>TA</b> Trunk access required for hitch installation.   |
| <b>GP</b> Hitch cross-tube concealed behind bumper.  | <b>TE</b> Hitches produced before 04/20/11 are rated at 500/5000 WC.  |
| <b>HM</b> Hitch cross-tube is visible beneath bumper.  | <b>TI</b> Hitches produced before 06/06/11 are rated at 400/4000 WC.  |
| <b>HP</b> Requires four (4) 7/16 in. x 1 in. x 2 in. spacer blocks (#01080012) for installation. (Sold separately) | <b>TZ</b> Requires replacement of the impact structure with hitch.  |
| <b>JR</b> Exhaust must be temporarily lowered for installation.  | <b>X</b> Minor fascia trimming required.  |

T-ONE						TOW HARNESS						4-FLAT WIRING				REQ. 4 FLAT WIRING		7-WAY HARDWIRE	BRAKE CONTROL HARNESS	IN	
PC	T-ONE	FN	IN	AMP	CP	PC	TOW HARN	FN	IN	AMP	CP	TYPE	ELEC	POS	CHOICE 1	CHOICE 2	6-WAY ADAPTER				7-WAY ADAPTER
<b>SUBARU (Continued)</b>																					
													B,E	PC3	119191	119148	20320	20321	20224		
E12	118461	CH	10	2.1,4.2	X								B,E	PC3,4	119191	119148					
													B,E	PC3,4	119191	119148					
E12	118461	CH	10	2.1,4.2	X								B,E	PC3,4	119191	119148	20320	20321	20224		
E11	118467	CH	15	2.1,5.6	X								B,E	PC3	119191	119148	20320	20321	20224		
E11	118467	CH	15	2.1,5.6	X								B,E	PC3	119191	119148	20320	20321	20224		
E12	118461	CH	10	2.1,4.2	X								B,E	SUV8	119191	119148	20320	20321	20224		
E12	118461	CH	10	2.1,4.2	X								B,E	SUV8	119191	119148	20320	20321	20224		
E15	118768	CH	45	4.2,7.5	X								B,E	PC3,4							
													B,E	PC3,4	119191	119148					
E11	118467	CH	15	2.1,5.6	X								B,E	SUV1,2	119191	119148					
E11	118467	CH	15	2.1,5.6	X								B,E	SUV1,2	119191	119148					
<b>SUZUKI</b>																					
E14	118525		30	7.5		E21	118266	BN,RD	30			7-Way	H	PU3	119148	20252				3050-P	5
						E9	118267	BN,RD,Z	30			7-Way	B,E	PU3	119191	119148					
E5	118372	HG	5	2.1,5									B	SUV3	119130	119178	20320	20321	20224		
E12	118456	CG	20	2.1,5	X								B	SUV3,4	119130	119178	20320	20321	20224		
E5	118372	HG	5	2.1,5									B	SUV1,2	119130	119178					
													B	PC3,4	119130	119178					
E12	118456	CG	20	2.1,5	X								B	SUV1,2	119130	119178	20320	20321			
E5	118372	HG	5	2.1,5									B	SUV3	119130	119178	20320	20321	20224		
													B	SUV1,2	119130	119178					
E5	118372	HG	5	2.1,5									B	SUV3	119130	119178	20320	20321	20224		
						E7	118432	CE,RD	10	7.5		4-Flat	B	SUV1,2	119130	119178	20320	20321	20224		
<b>TESLA</b>																					
													BT	PC3,4	119251						
													B,E	SUV3,4							
<b>TOYOTA</b>																					
E12	118341	HG	20	2.1,5									B,E	SUV3,4	119191	119148	20320	20321	20224		
E12	118341	HG	20	2.1,5		E3	118245	BN,RD	10	7.5		4-Flat	B,E	SUV3,4	119191	119148	20320	20321	20224		
								RD					B	SUV1,2	118180	20252				3040-P	5
													B,E	SUV1,2	119191	119148	20320	20321	20224	3040-P	5
E8	118384	BN,RD	5	7.5		E12	118262	BN,RD	10			Both	A	SUV5	119148	20252				3040-P	5
E8	118384	BN,RD	5	7.5		E8	118384	BN,RD	5	7.5		4-Flat	A	SUV5	119148	20252				3040-P	5
							74682	RD	10			Both									
							85219	RD	5			7-Way									
													B,E	PC3,4	119191	119148				3041-P	10

- A** 2 wire system.
- B** 3 wire system. Converter required.
- BN** Exterior mounted plug on some or all models. May require an aftermarket electrical mounting box or bracket. (Sold separately)
- BT** Shared Brake/Tail/Turn multiplexed wiring system. ModuLite® HD Plus or Ultra required.
- CE** T-One includes fuse(s) & relay(s). Converter not required. Standard 2 wire system at factory tow plug.
- CG** T-One incorporates circuit protected taillight converter.
- CH** T-One is equipped with circuit protected ModuLite® module.
- E** ModuLite® required.
- H** 3 wire system with OEM standard 2 wire harness.
- HG** T-One incorporates taillight converter.
- RD** For vehicles equipped with factory tow package may require additional components or may be used as a replacement harness.
- Z** May be equipped with Factory Tow Prep Plug. Determine at time of installation.

- RT1** Round Tube Class I 1-1/4"
- RT3** Round Tube Class III 2"
- RT4** Round Tube Class IV 2"
- SQ1** Square Tube Class I
- SQ2** Square Tube Class II
- SQ3** Square Tube Class III



# RECEIVER HITCH APPLICATIONS

RECEIVER HITCHES

T - TOYOTA

MODEL / STYLE		YEAR	TRAILER HITCHES									
			PC	REC TYPE	REC SIZE	PART NO.	NO DRILL	FOOTNOTES	OPTIONAL DRAWBAR	WC (LBS.)	WD (LBS.)	IN
<i>For vehicles prior to 2001,</i>												
<b>TOYOTA (Continued)</b>												
Avalon	00-04	41	SQ2	1-1/4	36293		GP	36051	300/3,500		20	
Avalon	05-10	50	SQ1	1-1/4	24870	0	HM,JR	3593	200/2,000		40	
Avalon	11-12	50	SQ1	1-1/4	24870	0	HM,JR	3593	200/2,000		40	
Avalon	13-18	23	SQ2	1-1/4	36540		HM,JR,KH,SV	36071	300/3,500		40	
Avalon	19	22	SQ2	1-1/4	36643		HM,JR,KH,SV	36071	350/3,500		40	
Avalon	20-21	22	SQ2	1-1/4	36643		HM,JR,KH,SV	36071	350/3,500		40	
Camry 4 Dr. Sedan	97-01	34	SQ1	1-1/4	24715	0	HM,JR	3593	200/2,000		15	
		23	SQ2	1-1/4	36336		HM	36061	300/3,500		15	
Camry 4 Dr. Sedan	02-04	34	SQ1	1-1/4	24715	0	HM,JR	3593	200/2,000		15	
		23	SQ2	1-1/4	36336		HM	36061	300/3,500		15	
Camry 4 Dr. Sedan	05-06	23	SQ2	1-1/4	36336		HM	36061	300/3,500		15	
Camry 4 Dr. Sedan, Except Hybrid	07-09	20	SQ2	1-1/4	36416		GP,JR,TA	36071	300/3,500		45	
Camry 4 Dr. Sedan, Except Hybrid	10-11	20	SQ2	1-1/4	36416		GP,JR,TA	36071	300/3,500		45	
Camry Except Hybrid	12-17	23	SQ2	1-1/4	36540		HM,JR,KH,SV	36071	300/3,500		40	
Camry Except Hybrid	18-19	23	SQ2	1-1/4	36540		HM,JR,KH,SV	36071	300/3,500		40	
Camry Including Hybrid	18-20	22	SQ2	1-1/4	36643		HM,JR,KH,SV	36071	350/3,500		40	
Camry Hybrid 4 Dr. Sedan	07-11	20	SQ2	1-1/4	36416		GP,JR,TA	36071	300/3,500		45	
Corolla Sedan	93-02	25	SQ1	1-1/4	24579		GP	3592	200/2,000		30	
Corolla	03	23	RT1	1-1/4	24913	0	HM	3593	200/2,000		20	
Corolla	04-07	23	RT1	1-1/4	24913	0	HM	3593	200/2,000		20	
Corolla	08	23	RT1	1-1/4	24913	0	HM	3593	200/2,000		20	
Corolla	09-13	23	RT1	1-1/4	24913	0	HM	3593	200/2,000		20	
Corolla Except Hatchback	14-19	23	RT1	1-1/4	24913	0	HM	3593	200/2,000		20	
Corolla Hatchback	19											
Corolla Hatchback	19-20	26	SQ1	1-1/4	24991	0	JR,X	3593	200/2,000		30	
Corolla Sedan	20	23	SQ1	1-1/4	24983	0		3593	200/2,000		40	
Corolla iM	17-18	20	SQ1	1-1/4	24952	0	GP,JR,SV	3593	200/2,000		40	
Corolla iM	18											
Echo Except Hatchback	00-02	33	SQ1	1-1/4	24813	0	X,GP	3590	200/2,000		15	
Echo Except Hatchback	03-05	33	SQ1	1-1/4	24813	0	X,GP	3590	200/2,000		15	
FJ Cruiser	07-14	34	SQ3	2	75461	0	GP		500/5,000	600/6,000	30	
Highlander	01-03	39	SQ2	1-1/4	36271	0	HM	36051	300/3,500		15	
		35	SQ3	2	41541	0	HM		300/3,500		15	
Highlander	04-07	32	RT3	2	75153	0	HM		350/3,500		20	
Highlander Except Hybrid	04-07											
Highlander	08-13	45	RT3	2	75726	0	HM,SV		750/5,000	750/5,000	40	
Highlander Except w/Full Size 19" Spare Tire	08-13	35	SQ3	2	75586	0	HM		500/5,000	500/5,000	25	
Highlander	14-19	42	SQ3	2	76156	0	GP,SV		500/5,000		45	
		42	SQ3	2	76336	0	EP,JR,X		500/5,000		45	
		36	RT4	2	75896	0	HM,SV		900/6,000	900/8,000	30	
Highlander	20	42	SQ3	2	76336	0	EP,JR,X		500/5,000		45	
Highlander With Tow Package	20											
Hilux	08-12	53	SQ4	2	75730	0	AA,GP		900/6,000	900/9,000	60	
Hilux	13-14	53	SQ4	2	75730	0	AA,GP		900/6,000	900/9,000	60	
Hilux	16-20	38	SQ4	2	75791	0	HM		800/8,000	800/8,000	45	
Hilux SW4	14	38	SQ3	2	75914	0	HM		525/3,500		15	
Land Cruiser	96-97	54	SQ3	2	41015	0	HM		500/5,000	750/6,000	30	
Land Cruiser	98-99	45	SQ3	2	75095	0	GP		500/5,000	750/6,000	20	
Land Cruiser	00	45	SQ3	2	75095	0	GP		500/5,000	750/6,000	20	
Land Cruiser	01-02	45	SQ3	2	75095	0	GP		500/5,000	750/6,000	20	
Land Cruiser	03-07	45	SQ3	2	75095	0	GP		500/5,000	750/6,000	20	
Land Cruiser	03-11										5	
Land Cruiser	13-21										5	

- AA Requires temporary removal of bumper during installation.
- EP Fascia trimming may be required.
- GP Hitch crosstube concealed behind bumper.
- HM Hitch crosstube is visible beneath bumper.
- JR Exhaust must be temporarily lowered for installation.

- KH Minor heat shield modification may be required.
- SV Trimming or removal of under body appearance panel may be required.
- TA Trunk access required for hitch installation.
- X Minor fascia trimming required.

T-ONE					TOW HARNESS					4-FLAT WIRING				REQ. 4 FLAT WIRING		7-WAY HARDWIRE	BRAKE CONTROL HARNESS	IN		
PC	T-ONE	FN	IN	AMP	CP	PC	TOW HARN	FN	IN	AMP	CP	TYPE	ELEC	POS	CHOICE 1				CHOICE 2	6-WAY ADAPTER
<b>TOYOTA (Continued)</b>																				
													B,E	PC3,4	119191	119148				
													B	PC3,4	119130	119178				
E17	118482	CH	45	2.1,5.6	X								B,E	PC3,4	119191	119148				
E16	118578	CH	45	4.2,7.5	X								B,E	PC3,4	119191	119148				
E16	118798	CH	45	5.7,5	X								B,E	PC3,4	119191	119148				
		CH											B,E	PC3,4	119191	119148				
E10	118358	HG	5	2.1,5									B	PC3,4	119130	119178				
E11	118308		5	2.1,5									B	PC3,4	119130	119178				
													B	PC3,4	119130	119178				
E16	118405	CH	45	2.1,5.6	X								B,E	PC3,4	119191	119148				
E17	118482	CH	45	2.1,5.6	X								B,E	PC3,4	119191	119148				
E16	118405	CH	45	2.1,5.6	X								B,E	PC3,4	119191	119148				
E15	118763	CH	45	5.7,5	X								B,E	PC3,4	119191	119148				
E15	118763	CH	45	5.7,5	X								B,E	PC3,4	119191	119148				
E17	118482	CH	45	2.1,5.6	X								B,E	PC3,4	119191	119148				
													B	PC3,4	119130	119178				
E13	118387	CG	15	2.1,5	X								B	PC3,4	119130	119178				
													B	PC3,4	119130	119178				
													B,E	PC3,4	119191	119148				
E16	118459	CH	45	2.1,4.2	X								B,E	PC3,4	119191	119148				
E16	118405	CH	45	2.1,5.6	X								B,E	PC3,4	119191	119148				
E16	118729	CH, BN	45	5.7,5	X								B,E	PC3,4	119191	119148				
													B,E	PC3,4	119191	119148				
E17	118810	CH	45	5.7,5	X								B,E	PC3,4	119191	119148				
E16	118729	BN, CH	45	5.7,5	X								B,E	PC3,4						
E16	118729	BN, CH	45	5.7,5	X								B,E	PC3,4						
E12	118386	CG	20	2.1,5	X								B	PC3,4	119130	119178				
													B	PC3,4	119130	119178				
E16	118405	CH	45	2.1,5.6	X								B	SUV3,4	119130	119178	20320	20321	20224	
E10	118413	HG	20	2.1,4.2		E3	118245	BN, RD	10	7.5		4-Flat	B, Z	SUV3,4	119178	119130	20320	20321	20224	
E10	118248	CH	20	2.1,4.2	X	E10	118248	RD	20	2.1,4.2	X	4-Flat	B	SUV3	119130	119178	20320	20321	20224	
E10	118413	HG	20	2.1,4.2									B	SUV3,4	119130	118178				
E13	118449	CH	20	2.1,4.2	X								B,E	SUV3,4	119191	119148	20320	20321	20224	
E13	118449	CH	20	2.1,4.2	X								B,E	SUV3,4	119191	119148	20320	20321	20224	
E13	118449	CH	20	2.1,4.2	X		22119	BN	60			7-Way	B,E	SUV3,4	119191	119148	20320	20321	20224	7865
E15	118827	CH	30	5.7,5	X		22119	BN	60			7-Way	B,E	SUV3,4	119191	119148	20320	20321	20224	7865
E3	118292		10	7.5									B,E	SUV1,2	119148	20252				7865
E13	118496	HG	10	2.1,7.5									B	PU3,4	119130	119178	20320	20321	20224	
													B	PU3,4	119130	119178	20320	20321	20224	
													B,E	PU3,4	119191	119148				
													B,E	PU3,4	119191	119148	20320	20321		
E7	118357	BN, HG	5	2.1,5									B	SUV6	119130	119178	20320	20321	20224	
E7	118365	BN, HG	5	2.1,5									B	SUV6	119130	119178	20320	20321	20224	
													B	SUV6	119130	119178	20320	20321	20224	
													B	SUV6	119130	119178	20320	20321	20224	
						E3	118245	BN, RD	10	7.5		4-Flat	B	SUV6	119130	119178	20320	20321	20224	
													B	SUV6	119130	119178	20320	20321	20224	3040-P
														BP3						3040-P
														BP3						3040-P

<b>B</b> 3 wire system. Converter required. <b>BN</b> Exterior mounted plug on some or all models. May require an aftermarket electrical mounting box or bracket. (Sold separately) <b>CG</b> T-One incorporates circuit protected taillight converter. <b>CH</b> T-One is equipped with circuit protected ModuLite® module.	<b>E</b> ModuLite® required. <b>HG</b> T-One incorporates taillight converter. <b>RD</b> For vehicles equipped with factory tow package may require additional components or may be used as a replacement harness. <b>Z</b> May be equipped with Factory Tow Prep Plug. Determine at time of installation.	<b>RT1</b> Round Tube Class I 1-1/4" <b>RT3</b> Round Tube Class III 2" <b>RT4</b> Round Tube Class IV 2" <b>SQ1</b> Square Tube Class I <b>SQ2</b> Square Tube Class II <b>SQ3</b> Square Tube Class III <b>SQ4</b> Square Tube Class IV
---	---	---

# RECEIVER HITCH APPLICATIONS

RECEIVER HITCHES

T - TOYOTA

MODEL / STYLE		YEAR	TRAILER HITCHES								
			PC	REC TYPE	REC SIZE	PART NO.	NO DRILL	FOOTNOTES	OPTIONAL DRAWBAR	WC (LBS.)	WD (LBS.)
<i>For vehicles prior to 2001,</i>											
<b>TOYOTA (Continued)</b>											
Matrix	03-08	15	SQ1	1-1/4	24812	0	HM,UD	3593	200/2,000		15
Matrix	09-13	15	SQ1	1-1/4	24812	0	HM	3593	200/2,000		15
Matrix (Canada Only)	14	15	SQ1	1-1/4	24812	0	HM	3593	200/2,000		15
Prado	14	38	SQ4	2	75904	0	GP		825/5,500	825/5,500	15
Prius	04-09	24	SQ1	1-1/4	24808	0	HM,SC	3593	200/2,000		30
Prius Except w/Plug-In Model	10-20	18	SQ1	1-1/4	24847	0	HM,JR	3593	200/2,000		25
		21	SQ1	1-1/4	24967	0	GP,SV	3593	200/2,000		40
Prius	16-19	16	SQ1	1-1/4	24966	0	DU,GP,SV	3592	200/2,000		45
Prius	20	16	SQ1	1-1/4	24966	0	DU,GP,SV	3592	200/2,000		45
Prius C	12-20	23	SQ1	1-1/4	24889	0	GP	3593	200/2,000		20
		24	SQ1	1-1/4	24971	0	GP	3593	200/2,000		20
Prius Plug-In	12-15	21	SQ1	1-1/4	24967	0	GP,SV	3593	200/2,000		40
Prius Prime	17-20	16	SQ1	1-1/4	24966	0	DU,GP,SV	3592	200/2,000		45
Prius V	12-20	18	SQ1	1-1/4	24847	0	HM,JR	3593	200/2,000		25
		21	SQ1	1-1/4	24967	0	GP,SV	3593	200/2,000		40
RAV4	96-00	31	SQ1	1-1/4	24704	0	HM	3593	200/2,000		15
		31	SQ3	2	75125	0	RA		350/3,500		15
RAV4	01-05	31	SQ1	1-1/4	24704	0	HM	3593	200/2,000		15
		31	SQ3	2	75125	0			350/3,500		15
RAV4	06-12	24	RT2	1-1/4	36588	0	HM,JR,SV	36051	300/3,500		20
		20	RT3	2	75235	0	HM,JR,SV		675/4,500	675/4,500	20
RAV4	13-15	24	RT2	1-1/4	36588	0	HM,JR,SV	36051	300/3,500		20
		26	RT3	2	76134	0	JR,GP,TA,HX,DU,SV		350/3,500		20
		20	RT3	2	75235	0	HM,JR,SV		675/4,500	675/4,500	20
RAV4	16-18	24	RT2	1-1/4	36588	0	HM,JR,SV,TW	36051	300/3,500		20
		26	RT3	2	76134	0	JR,GP,TA,HX,SV,TW		350/3,500		45
		20	RT3	2	75235	0	HM,JR,SV,TW		675/4,500	675/4,500	20
RAV4	19-20	76912	SQ3	2	76912	0	BN, CH, Ø				90
RAV4	19-21	24	SQ2	1-1/4	36675	0	CH,BN	36071	350/3,500		35
		29	SQ3	2	76201	0	CH,BN		675/4,500	675/4,500	35
Sequoia Except Models w/OEM Hitch	01-02	57	SQ3	2	75126	0	CP		500/5,000	650/6,500	20
Sequoia Except Models w/OEM Hitch	03-07	57	SQ3	2	75126	0	CP		500/5,000	650/6,500	20
Sequoia w/Factory 7-Way	03-04										
Sequoia	08-10	19	SQ4	2	75649†	0	AI		600/6,000	1,000/10,000	40
Sequoia	11-20										
		19	SQ4	2	75649†	0	AI		600/6,000	1,000/10,000	40
Sienna	98-03	34	SQ2	1-1/4	36298	0	GP	36053	300/3,500		15
		34	SQ3	2	75120	0			350/3,500	500/5,000	30
Sienna	04-10	27	RT2	1-1/4	36513	0	HM,JR	36051	300/3,500		20
		23	RT3	2	75237	0	HM,SV,JR,SY		675/4,500	675/5,000	30
Sienna	11-14	27	RT2	1-1/4	36513	0	HM,JR,SV,SY	36051	300/3,500		20
		32	SQ4	2	76112	0	SV,JR,GP,TA,DU		525/3,500	525/3,500	60
		23	RT3	2	75237	0	HM,SV,JR,SY		675/4,500	675/5,000	30
Sienna Except SE	15-20	27	RT2	1-1/4	36513	0	HM,JR,SV,SY	36051	300/3,500		20
		32	SQ4	2	76112	0	SV,JR,GP,TA,DU		525/3,500	525/3,500	60
		23	RT3	2	75237	0	HM,SV,JR,SY		675/4,500	675/5,000	30
Sienna SE	15-20	27	RT2	1-1/4	36513	0	HM,JR,SV,SY	36051	300/3,500		20
		32	SQ4	2	76112	0	SV,JR,GP,TA,DU		525/3,500	525/3,500	60
		23	RT3	2	75237	0	HM,SV,JR,SY		675/4,500	675/5,000	30
Sienna	21										
Solara	99-03	34	SQ1	1-1/4	24715	0	HM,JR	3593	200/2,000		15
		23	SQ2	1-1/4	36336	0	HM	36061	300/3,500		15

- |           |   |           |   |
|-----------|---|-----------|---|
| <b>CH</b> |   | <b>HX</b> | Minor exhaust modification may be required.   |
| <b>Ø</b>  |   | <b>JR</b> | Exhaust must be temporarily lowered for installation.   |
| <b>AI</b> | Additional installation time may be required.   | <b>RA</b> | Do not install on early 1996 models equipped with M10 fasteners.                                    |
| <b>BN</b> | Exterior mounted plug on some or all models. May require an aftermarket electrical mounting box or bracket. (Sold separately) | <b>SC</b> | Minor trimming of plastic trunk pan required.   |
| <b>CH</b> | T-One is equipped with circuit protected ModuLite® module.  | <b>SV</b> | Trimming or removal of under body appearance panel may be required.                                 |
| <b>CP</b> | Fits all models without factory installed receiver.   | <b>SY</b> | Hitch crosstube is visible beneath bumper with a more than normal gap between fascia and crosstube. |
| <b>DU</b> | Fascia removal required.  | <b>TA</b> | Trunk access required for hitch installation.   |
| <b>GP</b> | Hitch crosstube concealed behind bumper.  | <b>TW</b> | Receiver hitch may limit hands-free liftgate sensor range   |
| <b>HM</b> | Hitch crosstube is visible beneath bumper.  | <b>UD</b> | Fascia removal required on XR & XRS models.   |

T-ONE						TOW HARNESS					4-FLAT WIRING				REQ. 4 FLAT WIRING		7-WAY HARDWARE	BRAKE CONTROL HARNESS	IN		
PC	T-ONE	FN	IN	AMP	CP	PC	TOW HARN	FN	IN	AMP	CP	TYPE	ELEC	POS	CHOICE 1	CHOICE 2				6-WAY ADAPTER	7-WAY ADAPTER
<b>TOYOTA (Continued)</b>																					
E12	118386	CG	20	2.1,5	X								B	SUV3,4	119130	119178					
E16	118460	CH	45	2.1,4,2	X								B,E	SUV3,4	119191	119148	20320	20321			
													B,E	SUV3,4	119191	119148	20320	20321			
													B,E	SUV3,4	119191	119148	20320	20321			
E16	118505	CH	25	2.1,5,6	X								B,E	PC3,4	119191	119148					
E16	118505	CH	25	2.1,5,6	X								B,E	PC3,4	119191	119148					
E17	118701	CH	45	4,2,7,5	X								B,E	PC3,4	119191	119148					
		CH											B,E	PC3,4	119191	119148					
E13	118680	CH	25	4,2,7,5	X								B,E	PC3,4	119191	119148					
E16	118505	CH	25	2.1,5,6	X								B,E	PC3,4	119191	119148					
															119191	119148					
E13	118610	CH	45	2.1,5,6	X								B,E	PC3,4	119191	119148					
E12	118388	CG	20	2.1,5	X								B	SUV3,4	119130	119178	20320	20321	20224		
E12	118389	CG	20	2.1,5	X								B	SUV3,4	119130	119178	20320	20321	20224		
E16	118412	CH	45	2.1,4,2	X								B,E	SUV3,4	119191	119148	20320	20321	20224		
E16	118578	CH	45	4,2,7,5	X								B,E	SUV3,4	119191	119148	20320	20321	20224		
E16	118578	CH	45	4,2,7,5	X								B,E	SUV3,4	119191	119148	20320	20321	20224		
													B,E	SUV1	119191	119148					
E16	118801		45	5,7,5	X								B,E	SUV3,4	119191	119148					
						E1	118246	BN,RD	5	7.5		4-Flat	B	SUV7	119130	119178	20320	20321	20224		
													D			119251	20320	20321		3040-P	5
								RD					RD	SUV6		119251					
E16	118412	CH	45	2.1,4,2	X								N	SUV3,4		119251	20320	20321		3040-P	5
													D			119251	20320	20321		3040-P	5
													B	SUV3,4	119130	119178	20320	20321	20224		
E11	118304		20	2.1,4,2									B	SUV1,2	119130	119178	20320	20321	20224		
E18	118498	CH	45	2.1,5,6	X								B,E	SUV1,2	119191	119148	20320	20321	20224		
E16	118648	CH	45	4,2,7,5	X								B,E	SUV1,2	119191	119148	20320	20321	20224		
E18	118498	CH	45	2.1,5,6	X								B,E	SUV1,2	119191	119148	20320	20321	20224		
E16	118824	CH	30	5,7,5	X								B,E	SUV3	119191	119148	20320	20321	20224		
													B	PC3,4	119130	119178					

**B** 3 wire system. Converter required.  
**BN** Exterior mounted plug on some or all models. May require an aftermarket electrical mounting box or bracket. (Sold separately)  
**CG** T-One incorporates circuit protected taillight converter.  
**CH** T-One is equipped with circuit protected ModuLite® module.  
**D** See auto dealer for trailer tow wiring kit.  
**E** ModuLite® required.  
**N** DO NOT cut or splice vehicle wiring. Only use approved T-One or see auto dealer for trailer tow wiring kit.  
**RD** For vehicles equipped with factory tow package may require additional components or may be used as a replacement harness.

**RT2** Round Tube Class II 1-1/4"  
**RT3** Round Tube Class III 2"  
**SQ1** Square Tube Class I  
**SQ2** Square Tube Class II  
**SQ3** Square Tube Class III  
**SQ4** Square Tube Class IV

RECEIVER HITCH APPLICATIONS

MODEL / STYLE	YEAR	TRAILER HITCHES									
		PC	REC TYPE	REC SIZE	PART NO.	NO DRILL	FOOTNOTES	OPTIONAL DRAWBAR	WC (LBS.)	WD (LBS.)	IN
<i>For vehicles prior to 2001,</i>											
<b>TOYOTA (Continued)</b>											
Solara	07-08	39	SQ2	1-1/4	36378	0	JR,HM	36061	300/3,500		15
T100	93-98	59	SQ3	2	75144	0	CN		500/5,000	700/7,000	45
Tacoma (App. starts with 95-1/2)	95-04	32	SQ3	2	75078	0	GP		500/5,000	550/5,500	40
Tacoma Except X-Runner	05-08	15	SQ3	2	75236	0	GP		500/5,000	550/5,500	30
Tacoma Except X-Runner	09-15	15	SQ3	2	75236	0	GP		500/5,000	550/5,500	30
Tacoma w/Factory 7-Way	09-12										
Tacoma	16-20					0	GP				
		20	SQ4	2	75238	0	GP		1,050/7,000	1,200/8,000	20
Tacoma	21	20	SQ4	2	75238	0	GP		1,050/7,000	1,200/8,000	20
Tercel Sedan	91-98	31	SQ1	1-1/4	24606†	0	†,HM	3593	200/2,000		30
Tundra	00	49	RT3	2	37133				500/5,000	750/7,500	35
		30	SQ3	2	75105	0	GP		500/5,000	750/7,500	15
		54	RT4	2	37130				700/7,000	1,200/12,000	30
Tundra	01-02	49	RT3	2	37133				500/5,000	750/7,500	35
		30	SQ3	2	75105	0	GP		500/5,000	750/7,500	15
		54	RT4	2	37130				700/7,000	1,200/12,000	30
Tundra	03-06	49	RT3	2	37133				500/5,000	750/7,500	35
		30	SQ3	2	75105	0	GP		500/5,000	750/7,500	15
		54	RT4	2	37130				700/7,000	1,200/12,000	30
Tundra (See Footnote CP)	03-14					0	CP,HM				
Tundra w/Factory 7-Way	03-06										
Tundra (See Footnote CP)	07-09	25	RT4	2	75527	0	CP,HM		600/6,000	800/8,000	20
		67	SQ5	2	41935	0	@,CP,HM		1,200/12,000	1,400/14,000	30
Tundra (See Footnote CP)	10-14	25	RT4	2	75527	0	CP,HM		600/6,000	800/8,000	20
		67	SQ5	2	41935	0	@,CP,HM		1,200/12,000	1,400/14,000	30
Tundra w/Factory 7-Way	10-13										
Tundra (See Footnote CP)	15-17					0	CP,HM				
		25	RT4	2	75527	0	CP,HM		600/6,000	800/8,000	20
		67	SQ5	2	41935	0	@,CP,HM		1,200/12,000	1,400/14,000	30
Tundra (See Footnote CP)	18-21	25	RT4	2	75527	0	CP,HM		600/6,000	800/8,000	20
		67	SQ5	2	41935	0	@,CP,HM		1,200/12,000	1,400/14,000	30
Venza	09-16	29	RT2	1-1/4	36512	0	HM,JR	36061	300/3,500		20
		38	RT3	2	75663	0	HM,JR		350/3,500	400/4,000	20
Yaris 3 Dr. Liftback	07-11	11	SQ1	1-1/4	24819	0	GP	3593	200/2,000		20
Yaris 3 Dr. Liftback	07-14	14	SQ1	1-1/4	24911	0	GP	3593	200/2,000		20
Yaris 4 Dr. Sedan	07-11	11	SQ1	1-1/4	24819	0	GP	3593	200/2,000		20
Yaris 5 Dr. Liftback, Except SE	07-14	14	SQ1	1-1/4	24911	0	GP	3593	200/2,000		20
Yaris 5 Dr. Liftback	09-11	11	SQ1	1-1/4	24819	0	GP	3593	200/2,000		20
Yaris Except SE	15-19	16	SQ1	1-1/4	24929	0	GP,EP	3593	200/2,000		25
Yaris Sedan	20	16	SQ1	1-1/4	24929	0	GP,EP	3593	200/2,000		25
Yaris iA	17-18	32	RT1	1-1/4	24948	0	HM	3593	200/2,000		30
<b>VOLKSWAGEN</b>											
Amarok (International Only)	13	59	SQ3	2	75808†	0	†,HM		600/4,000	800/8,000	30
Arteon	19-20	28	SQ1	1-1/4	24989	0	DU,EP	3593	200/2,000		50
Atlas Except Cross Sport	18-20	30	SQ2	1-1/4	36635	0	GP	36051	350/3,500		25
		31	SQ4	2	76176		GP		900/6,000	900/6,000	25
Atlas Except Cross Sport	21	30	SQ2	1-1/4	36635	0	GP	36051	350/3,500		25
		31	SQ4	2	76176		GP		900/6,000	900/6,000	25
Beetle	98-01	39	SQ1	1-1/4	24679		TA,GP	3593	200/2,000		30
Beetle Except Turbo S	02-10	39	SQ1	1-1/4	24679		TA,GP	3593	200/2,000		30
Beetle Except Convertible & Gas Turbo	12-13	27	SQ1	1-1/4	24877†	0	†,HM,JR	3594	200/2,000		20

@ Ultra Frame ball mount must be used to achieve maximum weight carrying rating.  
 † Available while supply lasts.  
 CN Requires OEM factory bumper for hitch installation.  
 CP Fits all models without factory installed receiver.  
 DU Fascia removal required.

EP Fascia trimming may be required.  
 GP Hitch crosstube concealed behind bumper.  
 HM Hitch crosstube is visible beneath bumper.  
 JR Exhaust must be temporarily lowered for installation.  
 TA Trunk access required for hitch installation.

T-ONE						TOW HARNESS					4-FLAT WIRING				REQ. 4 FLAT WIRING		7-WAY HARDWIRE	BRAKE CONTROL HARNESS	IN			
PC	T-ONE	FN	IN	AMP	CP	PC	TOW HARN	FN	IN	AMP	CP	TYPE	ELEC	POS	CHOICE 1	CHOICE 2				6-WAY ADAPTER	7-WAY ADAPTER	
<b>TOYOTA (Continued)</b>																						
E13	118496	HG	10	2.1,7.5									B,E	PC3,4	119191	119148						
E16	118379	BN,HG	10	2.1,5									B	PU3,4	119130	119178	20320	20321	20224			
E13	118496	HG	10	2.1,7.5									B	PU1,2	119130	119178	20320	20321	20224	3040-P	5	
E13	118496	HG	10	2.1,7.5		E8	118384	BN,RD	5	7.5		4-Flat	B,E	PU1,2	119191	119148	20320	20321	20224	3040-P	5	
							74682 85219	RD RD	10 5			Both 7-Way	H	PU3	119148	20252						
E21	118685	BN,CH	45	5,7.5	X		22117		60			7-Way	B,E	PU1,2	119191	119148				3031-P	5	
E21	118685	BN,CH	45	5,7.5	X								B,E	PU1,2	119191	119148						
													B	PC3,4	119130	119178						
E15	118367	BN,CH	10	7.5									B,E	PU3	119191	119148	20320	20321	20224			
E17	118378	BN,CH	10	7.5									B,E	PU3	119191	119148	20320	20321	20224			
													B,E	PU3,4	119191	119148	20320	20321	20224	3040-P	5	
						E8	118384	BN,RD	5	7.5		4-Flat	A	PU3	119148	20252	20320	20321	20224	3040-P	5	
							20137	RD	10			Both	B,E	PU3,4	119191	119148						
													A	PU3	119148	20252	20320	20321	20224	3040-P	5	
						E8	118384	BN,RD	5	7.5		4-Flat	A	PU3	119148	20252	20320	20321	20224	3040-P	5	
							74682 85219	RD RD	10 5			Both 7-Way	H	PU3	119148	20252						
						E8	118384	BN,RD	5	7.5		4-Flat	A	PU3	119148	20252	20320	20321	20224	3031-P	5	
													A	PU3								
E17	118482	CH	45	2.1,5,6	X								B,E	SUV3,4	119191	119148	20320	20321	20224			
													B	PC3,4	119130	119178						
													B	PC3,4	119130	119178						
E18	118517	CH	45	2.1,5,6	X								B	PC3,4	119130	119178						
													B	PC3,4	119130	119178						
													B	PC3,4	119130	119178						
E16	118661	CH	45	4.2,7.5	X								B,E	PC3,4	119191	119148						
E16	118661	CH	45	4.2,7.5	X								B,E	PC3,4	119191	119148						
E15	118728	CH,BN	45	5,7.5	X								B,E	PC1,2	119191	119148						
<b>VOLKSWAGEN</b>																						
													BM	PU3	119251	119191	20320	20321				
E18	118815	CH	45	5,7.5	X								A,E	PC1,2	119251	119148						
E19	118754	CH	45	5,7.5	X	E8	118384	BN,RD	5	7.5		4-Flat	BT	SUV3,4							3072-P	5
E19	118754	CH	45	5,7.5	X								BT	SUV3,4								
													B	PC1,2	119130	119178						
													B	PC1,2	119130	119178						
E17	118688	CH	45	4.2,7.5	X								B,E	PC3,4	119251	119191						

**A** 2 wire system.  
**B** 3 wire system. Converter required.  
**BM** Multiplexed wiring system. ModuLite® HD Plus or Ultra required.  
**BN** Exterior mounted plug on some or all models. May require an aftermarket electrical mounting box or bracket. (Sold separately)  
**BT** Shared Brake/Tail multiplexed wiring system. ModuLite® HD Plus or Ultra required.

**CH** T-One is equipped with circuit protected ModuLite® module.  
**E** ModuLite® required.  
**H** 3 wire system with OEM standard 2 wire harness.  
**HG** T-One incorporates taillight converter.  
**RD** For vehicles equipped with factory tow package may require additional components or may be used as a replacement harness.

**RT1** Round Tube Class I 1-1/4"  
**RT2** Round Tube Class II 1-1/4"  
**RT3** Round Tube Class III 2"  
**RT4** Round Tube Class IV 2"  
**SQ1** Square Tube Class I  
**SQ2** Square Tube Class II  
**SQ3** Square Tube Class III  
**SQ4** Square Tube Class IV  
**SQ5** Square Tube Class V

# RECEIVER HITCH APPLICATIONS

RECEIVER HITCHES

MODEL / STYLE	YEAR	TRAILER HITCHES									
		PC	REC TYPE	REC SIZE	PART NO.	NO DRILL	FOOTNOTES	OPTIONAL DRAWBAR	WC (LBS.)	WD (LBS.)	IN
<i>For vehicles prior to 2001,</i>											
<b>VOLKSWAGEN (Continued)</b>											
Beetle Gas Turbo, Except Convertible	12-13	29	SQ1	1-1/4	24879†		GP, JR	3594	200/2,000		30
Beetle Except R-Line & GSR	14-20	28	SQ1	1-1/4	24922	0	HM	3593	200/2,000		20
Beetle	18-19										
CC Except 4 Motion	09-12	22	SQ1	1-1/4	24848		HM, JR, X	3594	200/2,000		35
CC Except 4 Motion	13-18	22	SQ1	1-1/4	24848		HM, JR, X	3594	200/2,000		35
Eos	07-13	25	SQ1	1-1/4	24824	0	GP, JR	3594	200/2,000		40
Golf	99-06	39	SQ1	1-1/4	24679		TA, GP	3594	200/2,000		30
Golf 2 Dr. Hatchback, Except R	10-13	19	SQ1	1-1/4	24825	0	HM	3594	200/2,000		15
Golf 4 Dr. Hatchback, Except R	10-14	19	SQ1	1-1/4	24825	0	HM	3594	200/2,000		15
Golf Hatchback (Canada Only), Except R	10-13	19	SQ1	1-1/4	24825	0	HM	3594	200/2,000		15
Golf Wagon (Canada Only)	10-14	23	SQ1	1-1/4	24866	0	HM, JR, TA	3594	200/2,000		40
Golf Except Sportwagen Models	15-20	25	SQ1	1-1/4	24925	0	TA, FE, GP	3593	200/2,000		60
Golf Except Sportwagen Models	18-20										
Golf Alltrack	17-20	19	SQ1	1-1/4	24949	0	EP, GP, DU, AA	3590	200/2,000		60
Golf Alltrack	18-20	19	SQ1	1-1/4	24949	0	EP, GP, DU, AA	3590	200/2,000		60
Golf City (Canada Only)	07-10	39	SQ1	1-1/4	24679		TA, GP	3594	200/2,000		30
Golf R	15-20	30	SQ1	1-1/4	24975	0	DU, GP, TA, X	3593	200/2,000		75
Golf SportWagen	15	19	SQ1	1-1/4	24949	0	EP, GP, DU, AA	3590	200/2,000		60
Golf SportWagen	16-20	19	SQ1	1-1/4	24949	0	EP, GP, DU, AA	3590	200/2,000		60
GTI 2 Dr. Hatchback	06-09	19	SQ1	1-1/4	24825	0	HM	3594	200/2,000		15
GTI 4 Dr. Hatchback	07-09	19	SQ1	1-1/4	24825	0	HM	3594	200/2,000		15
GTI Hatchback	10-14	28	SQ1	1-1/4	24904	0	JR, KH, GP	3594	200/2,000		40
GTI Hatchback (Canada Only)	10-12	28	SQ1	1-1/4	24904	0	JR, KH, GP	3594	200/2,000		40
GTI	16-20	25	SQ1	1-1/4	24925	0	TA, FE, GP	3593	200/2,000		60
GTI	18-20	30	SQ1	1-1/4	24979	0	GP, AA, SV, TA	3593	200/2,000		80
Jetta Jetta III	94-98	35	SQ1	1-1/4	24594†		†, GP	3592	200/2,000		30
Jetta Sedan, Except Gas Turbo & Wagon	99-04	29	SQ1	1-1/4	24748		TA, HM	3593	200/2,000		30
Jetta 4 Dr. Sedan	05-10	23	SQ1	1-1/4	24866	0	HM, JR, TA	3594	200/2,000		40
Jetta Sedan, Except Gas Turbo & Wagon	05	29	SQ1	1-1/4	24748		TA, HM	3593	200/2,000		30
Jetta SportWagon	09-14	23	SQ1	1-1/4	24866	0	HM, JR, TA	3594	200/2,000		40
Jetta 4 Dr. Sedan	11-14	23	SQ1	1-1/4	24866	0	HM, JR, TA	3594	200/2,000		40
Jetta 4 Dr. Sedan, Except Hybrid & TDI	15-18	33	RT1	1-1/4	24926	0	JR, HM, TA, SV	3593	200/2,000		40
Jetta	19-20	37	SQ1	1-1/4	24978	0	GP, AA, X, TA	3593	200/2,000		80
Jetta City Sedan (Canada Only)	07-09	29	SQ1	1-1/4	24748		TA, HM	3593	200/2,000		30
Passat 4 Dr. Sedan, Except 4 Motion & W8 Engine	99-05	20	SQ1	1-1/4	24698		RB, TA, HM	3593	200/2,000		40
Passat Wagon, Except 4 Motion & W8 Engine	99-05	20	SQ1	1-1/4	24698		RB, TA, HM	3593	200/2,000		40
Passat 4 Dr. Sedan, Except 4 Motion	06-10	22	SQ1	1-1/4	24848		HM, JR, X	3594	200/2,000		35
Passat Wagon, Except 4 Motion	07-10	22	SQ1	1-1/4	24848		HM, JR, X	3594	200/2,000		35
Passat 4 Dr. Sedan	12-19	34	SQ1	1-1/4	24880	0	EP, GP, JR, SV, TA	3590	200/2,000		30
Passat Except SE & SEL	16-20	34	SQ1	1-1/4	24880	0	EP, GP, JR, SV, TA, TW	3590	200/2,000		30
Passat SE & SEL Only	16-19	34	SQ1	1-1/4	24880	0	EP, GP, JR, SV, TA, TW	3590	200/2,000		30
Passat	17-19	34	SQ1	1-1/4	24880	0	EP, GP, JR, SV, TA, TW	3590	200/2,000		30
Passat 2.0T S	20	34	SQ1	1-1/4	24994		DU, EP, GP	3593	200/2,000		40
Rabbit	06-09	19	SQ1	1-1/4	24825	0	HM	3594	200/2,000		15
Routan	09-12	24	SQ2	1-1/4	36455	0	GP, JR	36061	300/3,500		20
		19	SQ3	2	75579	0	GP, JR		400/4,000	500/5,000	20
Routan (Canada Only)	13-14	24	SQ2	1-1/4	36455	0	GP, JR	36061	300/3,500		20
		19	SQ3	2	75579	0	GP, JR		400/4,000	500/5,000	20
Tiguan	09-11	10	SQ2	1-1/4	36474	0	EP, HM	36051	300/3,500		20
		10	SQ3	2	75658	0	EP		350/3,500		20
Tiguan	12-17	10	SQ2	1-1/4	36474	0	EP, HM	36051	300/3,500		20
		10	SQ3	2	75658	0	EP		350/3,500		20

- † Available while supply lasts.
- AA Requires temporary removal of bumper during installation.
- DU Fascia removal required.
- EP Fascia trimming may be required.
- FE Fascia trimming may be required. Allow additional installation time.
- GP Hitch cross-tube concealed behind bumper.
- HM Hitch cross-tube is visible beneath bumper.

- JR Exhaust must be temporarily lowered for installation.
- KH Minor heat shield modification may be required.
- RB Hitch installation can be made easier with a cutter type drill bit.
- SV Trimming or removal of under body appearance panel may be required.
- TA Trunk access required for hitch installation.
- TW Receiver hitch may limit hands-free liftgate sensor range.
- X Minor fascia trimming required.

T-ONE						TOW HARNESS						4-FLAT WIRING				REQ. 4 FLAT WIRING		7-WAY HARDWIRE	BRAKE CONTROL HARNESS	IN	
PC	T-ONE	FN	IN	AMP	CP	PC	TOW HARN	FN	IN	AMP	CP	TYPE	ELEC	POS	CHOICE 1	CHOICE 2	6-WAY ADAPTER				7-WAY ADAPTER
<b>VOLKSWAGEN (Continued)</b>																					
E17	118688	CH	45	4.2,7.5	X								B,E	PC3,4	119251	119191					
E17	118688	CH	45	4.2,7.5	X								B,E	PC3,4	119251	119191					
E17	118688	CH	45	4.2,7.5	X								B,E	PC3,4	119251	119191					
E16	118714	CH	45	4.2,7.5	X								BT	PC1,2	119251	119191					
													A,E	PC3,4	119251	119148					
													BM	PC3,4	119251	119191					
													B	PC1,2	119130	119178					
													BT	PC1,2	119251	119191					
													BT	PC1,2	119251	119191					
E20	118646	CH	45	4.2,7.5	X								BM	PC3,4	119251	119191					
													BTT	PC3,4	119251	119191					
E17	118730	CH	45	5.7,5	X								B,E	PC3,4							
													B,E	PC3,4							
													B	PC1,2	119130	119178					
E19	118787	CH	45	5.7,5	X								A,E	PC3,4	119191	119148					
E17	118730	CH	45	5.7,5	X								A,E	PC3,4	119191	119148					
													BTT	PC1,2	119192	119191					
													BTT	PC1,2	119251	119191					
													BM	PC3,4	119251	119191					
													BM	PC3,4	119251	119191					
													BTT	PC3,4	119251	119191					
													BTT	PC3,4	119251	119191					
													B	PC3,4	119130	119178					
													B	PC3,4	119130	119178					
													BTT	PC3,4	119251	119191					
E22	118667	CH	45	4.2,7.5	X								B	PC3,4	119130	119178					
													B,E	PC3,4	119191	119148					
E27	118572	CH	45	4.2,7.5	X								B,E	PC3,4	119191	119148					
E27	118572	CH	45	4.2,7.5	X								B,E	PC3,4	119191	119148					
E22	118791	CH,NZ	45	5.7,5	X								B,E	PC3,4	119191	119148					
													B	PC3,4	119130	119178					
													B	PC3,4	119130	119178					
E25	118562	CH	45	4.2,7.5	X								B	PC3,4	119130	119178					
													B	PC3,4	119130	119178					
													BM	PC1,2	119251	119191					
E22	118530	CH	45	4.2,7.5	X								BM	PC1,2	119251	119191					
E20	118646		45	4.2,7.5	X								BTT	PC3,4	119251	119191					
E20	118721	CH	45		X								BTT	PC3,4	119251	119191					
E20	118742	CH	45	5.7,5	X								A,E	PC3,4							
E20	118721	CH	45		X								BTT	PC3,4	119251	119191					
													B,E	PC3,4							
E7	118490		20	7.5									BT	PC1,2	119251	119191					
													A	SUV1,2	119148	20252	20320	20321	20224		
													A	SUV1,2	119148	20252	20320	20321	20224		
E20	118675	CH,BN	45	4.2,7.5	X								BT	SUV1,2	119251	119191	20320	20321	20224		
													BTT	SUV1,2	119251	119191	20320	20321	20224		

**A** 2 wire system.  
**B** 3 wire system. Converter required.  
**BM** Multiplexed wiring system. ModuLite® HD Plus or Ultra required.  
**BN** Exterior mounted plug on some or all models. May require an aftermarket electrical mounting box or bracket. (Sold separately)  
**BT** Shared Brake/Tail multiplexed wiring system. ModuLite® HD Plus or Ultra required.  
**BTT** Shared Brake/Tail/Turn multiplexed wiring system. ModuLite® HD Plus or Ultra required.  
**CH** T-One is equipped with circuit protected ModuLite® module.  
**E** ModuLite® required.  
**NZ** DO NOT use ZCI with this application. Please use other approved kit or contact dealer.

**RT1** Round Tube Class I 1-1/4"  
**SQ1** Square Tube Class I  
**SQ2** Square Tube Class II  
**SQ3** Square Tube Class III



**RECEIVER HITCH APPLICATIONS**

MODEL / STYLE	YEAR	TRAILER HITCHES									
		PC	REC TYPE	REC SIZE	PART NO.	NO DRILL	FOOTNOTES	OPTIONAL DRAWBAR	WC (LBS.)	WD (LBS.)	IN
<i>For vehicles prior to 2001,</i>											
<b>VOLKSWAGEN (Continued)</b>											
Tiguan 4 Motion	18-20	25	SQ2	1-1/4	36650	0	GP, JR	36051	350/3,500		20
		26	SQ3	2	76192	0	EP, GP, JR		675/4,500	675/4,500	40
Tiguan Except 4 Motion	18-20	25	SQ2	1-1/4	36650	0	GP, JR	36051	350/3,500		20
		26	SQ3	2	76192	0	EP, GP, JR		675/4,500	675/4,500	40
Tiguan 4 Motion	19-20					0					
Tiguan Limited	18										
Touareg	04-10	47	SQ4	2	75363		AA, RB		600/6,000	600/6,000	90
Touareg	04-20										
Touareg	11-17	45	SQ4	2	75950	0	GP, EP, TA		750/7,500		70
Transporter	93-03										
<b>VOLVO</b>											
850 Sedan	93-97	29	SQ2	1-1/4	36262		GP, JR	36061	300/3,500		20
850 Wagon	94-97	29	SQ2	1-1/4	36262	0	GP	36061	300/3,500		20
C30	08-10	28	SQ1	1-1/4	24811†		†, HM, JR, KH	3593	200/2,000		45
C70 Convertible	98-04	29	SQ2	1-1/4	36262		GP, JR	36061	300/3,500		20
C70 Coupe	98-02	29	SQ2	1-1/4	36262		GP, JR	36061	300/3,500		20
S40 Sedan (App. starts with 2004-1/2)	04-11	27	SQ1	1-1/4	24781	0	GP, JR	3594	200/2,000		25
S60 Sedan	01-09	37	SQ2	1-1/4	36297	0	HM, JR	36061	300/3,500		15
S60 Sedan	11-13	27	SQ3	2	75916	0	DU, EP, GP		400/4,000		70
S60 Sedan	14-18	27	SQ3	2	75916	0	DU, EP, GP		400/4,000		70
S70 Sedan	98-00	29	SQ2	1-1/4	36262		GP, JR	36061	300/3,500		20
S90	17-21										
V50 Wagon, Except T5 R-Design	05-10	27	SQ1	1-1/4	24781	0	GP, JR	3594	200/2,000		25
V60 (App. starts with 2015-1/2)	15-17	27	SQ3	2	75916	0	DU, EP, GP		400/4,000		70
V70 Wagon	98-00	29	SQ2	1-1/4	36262	0	GP	36061	300/3,500		20
V70 Wagon	01-02	37	SQ2	1-1/4	36297	0	HM, JR	36061	300/3,500		15
V70 Wagon	03-07	37	SQ2	1-1/4	36297	0	HM, JR	36061	300/3,500		15
V70 Wagon	08-10	27	SQ3	2	75916	0	DU, EP, GP		400/4,000		70
XC40	19-20	28	SQ3	2	76245	0	DU, AA, GP, TA		600/4,000		70
XC60	10-17	33	SQ3	2	75671	0	GP, JR, KH, SR		400/4,000	450/4,500	45
XC60	14	25	SQ3	2	76116	0	JR, AG, KH		400/4,000	450/4,500	30
XC60	15-17	25	SQ3	2	76116	0	JR, AG, KH		400/4,000	450/4,500	30
XC60	18-20	30	SQ4	2	76194	0	AA, DU, EP, GP, KH		900/6,000		65
XC70 Wagon, AWD	03-07	37	SQ2	1-1/4	36297	0	HM, JR	36061	300/3,500		15
XC70	08-16	27	SQ3	2	75916	0	DU, EP, GP		400/4,000		70
XC90	03-04	36	SQ3	2	75152	0	JR		500/5,000	500/5,000	25
XC90	05-14	36	SQ3	2	75152	0	JR		500/5,000	500/5,000	25
XC90	16-21	30	SQ4	2	76194	0	AA, DU, EP, GP, KH		900/6,000		65

- † Available while supply lasts.
- AA Requires temporary removal of bumper during installation.
- AG Drawbar Kit & Accessory Adapter sold separately.
- DU Fascia removal required.
- EP Fascia trimming may be required.
- GP Hitch cross tube concealed behind bumper.
- HM Hitch cross tube is visible beneath bumper.
- JR Exhaust must be temporarily lowered for installation.
- KH Minor heat shield modification may be required.
- RB Hitch installation can be made easier with a cutter type drill bit.
- SR Only use ball mounts with 8-1/2 in. length : 3/4 in. rise : 2 in. drop for this vehicle.
- TA Trunk access required for hitch installation.

T-ONE					TOW HARNESS					4-FLAT WIRING				REQ. 4 FLAT WIRING		7-WAY HARDWARE	BRAKE CONTROL HARNESS	IN		
PC	T-ONE	FN	IN	AMP	CP	PC	TOW HARN	FN	IN	AMP	CP	TYPE	ELEC	POS	CHOICE 1				CHOICE 2	6-WAY ADAPTER
<b>VOLKSWAGEN (Continued)</b>																				
E17	118811		45	5.75	X								BTT	SUV1,2		119251				
E17	118811		45	5.75	X								N	SUV1,2		119251				
E17	118811		45	5.75	X								BTT	SUV3,4		119251				
E20	118675	CH,BN	45	4.2,7.5	X								BTT	SUV1,2	119251	119191	20320	20321	20224	
E24	118509	CH	45	4.2,7.5	X								B,E	SUV3,4	119191	119148	20320	20321	20224	3072-P
E18	118668	CH	45	4.2,7.5	X								BTT	SUV1,2	119192	119191	20320	20321	20224	3072-P
<b>VOLVO</b>																				
													E	PC3,4	119191	119148				
													E	PC3,4	119191	119148				
													B,E	PC3,4	119191	119148				
													E	PC3,4	119191	119148				
													E	PC3,4	119191	119148				
													B,E	PC3,4	119191	119148				
													E	PC3,4	119191	119148				
E15	118770	CH	45	5.75	X								B,E	PC3,4	119191	119148	20320	20321		
E14	118683	CH	20	4.2,7.5	X								E	PC3,4	119191	119148				
E16	118647	CH	45	4.2,7.5	X								B,E	SUV3,4						
													E	PC3,4	119191	119148				
													B,E	PC3,4	119191	119148				
													E	PC1,2	119191	119148				
													E	PC1,2	119191	119148				
													B,E	PC1,2	119191	119148				
E15	118463	CH	45	2.1,5.6	X								B,E	SUV3,4	119191	119148	20320	20321	20224	
E15	118792	CH	45	5.75	X								B,E	SUV1,2	119191	119148				
E20	118523	CH	45	4.2,7.5	X								B,E	SUV3,4	119191	119148	20320	20321	20224	
E20	118523	CH	45	4.2,7.5	X								B,E	SUV3,4	119191	119148	20320	20321	20224	
													B,E	SUV3,4	119191	119148	20320	20321	20224	
E16	118773	CH	45	5.75	X								B,E	SUV3,4	119191	119148				
													B,E	PC1,2	119191	119148				
E17	118774	CH	45	5.75	X								B,E	SUV3,4	119191	119148	20320	20321	20224	
													B,E	SUV3,4	119191	119148	20320	20321	20224	
E18	118411	CH	20	2.1,5.6	X								B,E	SUV3,4	119191	119148	20320	20321	20224	
E14	118683	CH	20	4.2,7.5	X								B,E	SUV3,4	119191	119148	20320	20321	20224	

**B** 3 wire system. Converter required.

**BN** Exterior mounted plug on some or all models. May require an aftermarket electrical mounting box or bracket. (Sold separately)

**BTT** Shared Brake/Tail/Turn multiplexed wiring system. ModuLite® HD Plus or Ultra required.

**CH** T-One is equipped with circuit protected ModuLite® module.

**E** ModuLite® required.

**N** DO NOT cut or splice vehicle wiring. Only use approved T-One or see auto dealer for trailer tow wiring kit.

**SQ1** Square Tube Class I

**SQ2** Square Tube Class II

**SQ3** Square Tube Class III

**SQ4** Square Tube Class IV

## RECEIVER HITCH APPLICATIONS

RECEIVER HITCH APPLICATION FOOTNOTES	
#	Titan hitches require use of a 2-1/2 in. shank Titan ball mount.
@	Ultra Frame ball mount must be used to achieve maximum weight carrying rating.
†	Available while supply lasts.
AA	Requires temporary removal of bumper during installation.
AB	Requires four (4) 3/8 in. spacer blocks (#01077011) for installation. (Sold separately)
AE	Requires temporary removal of muffler during installation.
AF	Hitch is ONLY rated for Weight Carrying at 3500 lbs. GTW / 350 lbs. TW and DO NOT use Weight Distribution Spring Bars for this Specific Vehicle. Except for long bed pickups.
AG	Drawbar Kit and Accessory Adapter sold separately.
AI	Additional installation time may be required.
AL	Additional installation time required for vehicles equipped with load leveling compressor.
AW	Will not fit Turbo models.
BF	Requires standard bumper. Will not fit with step bumper.
BN	Exterior mounted plug on some or all models. May require an aftermarket electrical mounting box or bracket. (Sold separately)
BY	Minor repositioning of muffler required.
CA	Models with dual exhaust require exhaust modification.
CC	Requires minimum of 19 in. from end of frame rail to spring shackle bracket.
CH	T-One is equipped with circuit protected ModuLite module.
CN	Requires OEM factory bumper for hitch installation.
CO	Will not fit 8 ft. 2500/3500 Series with heavy-duty suspension or four door Crew Cab.
CP	Fits all models without factory installed receiver.
CQ	Will not fit with heavy duty suspension.
CR	Fits with mini spare tire stowed under vehicle. Will not fit with full size spare.
CS	Will fit with full-size spare tire stowed under vehicle.
CT	Will not fit long bed models after 1999.
DA	Will not fit with tube style bumper.
DB	Will not fit 6 ft. bed pickups.
DH	Cannot be installed on 1987-97 vehicles with factory step bumpers unless step bumper and its mounting brackets are permanently removed and standard factory bumper is installed.
DS	Use DT #75151 On 1500 Models Built After 11/1/02. Use DT #75135 On 1500 Models Built Before 11/1/02.
DU	Fascia removal required.
DY	Use On 1500 Models Built After 11/1/02.
EB	Factory electrical bracket will NOT fit with this hitch. Must use aftermarket electrical box or bracket.
EF	Fits all models with standard bumpers.
EG	Relocation of spare tire bracket is not required. NOTE: 19mm open end style wrench must be purchased to allow removal of spare tire after hitch installation.
EO	Requires longer ball mount.
EP	Fascia trimming may be required.
FE	Fascia trimming may be required. Allow additional installation time.
FP	Spare tire repositioning and/or modification of spare tire carrier may be required.
FS	Includes 2 and 4 WD models with heavy duty suspension.
GH	Will not fit models with 34 in. wide frames.
GO	Requires hitch with packaging date code 2/15/94 or later.
GP	Hitch crosstube concealed behind bumper.
GU	Will not fit vehicles with factory or aftermarket lower Fascia/Rollpan or Tube Bumper.
GX	Requires fabrication of L-bracket to reposition exhaust on 1995 and later 6 ft. box models.
HA	External dress panel beneath 95-97 and 03-05 vehicles must be removed for hitch installation.
HB	Slight fascia deformation may occur on some models.
HC	Will not fit with mini or full size tire stowed under vehicle.
HD	Will not fit 6 ft. bed pickups except 6 ft. Super Cab.
HK	Under vehicle spare tire stowage may be retained with installation of an aftermarket spare tire repositioner. Cutting of rollpan in license plate area required for receiver tube access. Does not fit with bumper.
HM	Hitch crosstube is visible beneath bumper.
HP	Requires four (4) 7/16 in. x 1 in. x 2 in. spacer blocks (#01080012) for installation. (Sold separately)
HR	Requires drilling of heat shields on V6 models.

**RECEIVER HITCH APPLICATION FOOTNOTES**

HX	Minor exhaust modification may be required.
HY	Ultra Frame ball mount DT #4283/HH #80125 cannot be used in rise position on vehicles with step bumpers.
I	Hitch is positioned further rearward to accommodate spare tire.
J	Under vehicle spare tire stowage is retained.
JF	Will not fit with 16 in. spare tire.
JL	Installation requires OEM bumper and brackets.
JR	Exhaust must be temporarily lowered for installation.
JV	Rubber air deflector/fascia must be removed or trimmed to install hitch.
K	Adapter kit (#1685) required with DT #41504/HH #87480/RS #37081 & RS #44143 for 1980 and later F-Series pickups.
KA	Gasoline engine models only.
KH	Minor heat shield modification may be required.
KK	When installing on a vehicle originally equipped with an OEM hitch. OEM bumper brackets must be purchased and installed prior to new hitch installation.
KL	Hitch is designed to attach beneath the OEM hitch.
KM	Does not work with models originally equipped with OEM hitch.
L	Exhaust repositioning required.
LT	Requires removal of factory hitch if equipped.
M	Will fit with heavy-duty suspension.
MB	Will not fit models equipped with air suspension package.
Ø	Uses all existing holes. No drilling required.
QW	Will not fit vehicles with dual exhaust.
RA	Do not install on early 1996 models equipped with M10 fasteners.
RB	Hitch installation can be made easier with a cutter type drill bit.
RC	Will not fit with rear sport bars.
RH	Optional drawbar #36051 required (Sold separately) except for models with ZR2 & Highrider package.
RO	Will not fit Silverado SS.
RA	Requires drilling on 6 ft. bed models.
SB	Will not fit models with short bed.
SC	Minor trimming of plastic trunk pan required.
SD	Hitches produced before 07/21/06 are rated at 350/3500 WC.
SG	Hitches produced before 09/10/07 are rated at 1000/10000 WC & 1200/12000 WD.
SH	Hitches produced before 09/27/07 are rated at 1200/12000 WC & 1400/14000 WD.
SI	Hitches produced before 07/31/07 are rated at 350/3500 WC & 500/5000 WD.
SN	Hitches produced before 04/28/08 are rated at 1000/10000 WC & 1200/12000 WD.
SO	With this hitch installed the step bumper is no longer able to be used as a towing point.
SR	Only use ball mounts with 8-1/2 in. length: 3/4 in. rise: 2 in. drop for this vehicle.
ST	Will not fit 2WD models with short bed.
SU	Hitches produced before 03/11/08 are rated at 1000/10000 WC & 1200/12000 WD.
SV	Trimming or removal of under body appearance panel may be required.
SY	Hitch crosstube is visible beneath bumper with a more than normal gap between fascia and crosstube.
SZ	Hitches produced before 03/10/11 are rated at 600/6000 WC.
TA	Trunk access required for hitch installation.
TD	Hitches without electrical bracket are rated at 350/3500 WC & No WD. Hitch with electrical bracket rated at 400/4000 WC & No WD.
TE	Hitches produced before 04/20/11 are rated at 500/5000 WC.
TG	Hitches produced before 05/13/11 are rated at 350/3500 WC.
TI	Hitches produced before 06/06/11 are rated at 400/4000 WC.
TJ	Hitches produced before 07/13/11 are rated at 350/3500 WC.
TK	Hitches produced before 09/09/11 are rated at 500/5000 WC & 600/6000 WD.
TL	Hitches produced before 10/31/11 are rated at 500/5000 WC & 750/7500 WD.
TM	Hitches produced before 01/04/12 are rated at 500/5000 WC & 750/7500 WD.
TN	Hitches produced before 07/09/12 are rated at 500/5000 WC & 500/5000 WD.
TO	Will not fit models equipped Chassis Cab spring mount.
TQ	Hitches produced before 07/30/12 are rated at 350/3500 WC.

## RECEIVER HITCH APPLICATIONS

## RECEIVER HITCH APPLICATION FOOTNOTES

TU	Hitches produced before 07/24/12 are rated at 350/3500 WC.
TW	Receiver hitch may limit hands-free liftgate sensor range
TZ	Requires replacement of the impact structure with hitch.
UD	Fascia removal required on XR & XRS models.
UL	This hitch will not fit a Sprinter single or dual rear-wheel vehicle with a 30-3/8 in. wide frame measured outside of frame to outside of frame.
V	For vehicles with factory installed step bumpers only.
VB	Will not fit vehicles with vibration damper installed at rear of frame on drivers side.
X	Minor fascia trimming required.

## ELECTRICAL APPLICATION FOOTNOTES

A	2 wire system.
B	3 wire system. Converter required.
BM	Multiplexed wiring system. ModuLite HD Plus or Ultra required.
BN	Exterior mounted plug on some or all models. May require an aftermarket electrical mounting box or bracket. (Sold separately)
BT	Shared Brake/Tail multiplexed wiring system. ModuLite HD Plus or Ultra required.
BTT	Shared Brake/Tail/Turn multiplexed wiring system. ModuLite HD Plus or Ultra required.
C	2 or 3 wire system determine at installation.
CE	T-One includes fuse(s) & relay(s). Converter not required. Standard 2 wire system at factory tow plug.
CG	T-One incorporates circuit protected taillight converter.
CH	T-One is equipped with circuit protected ModuLite® module.
D	See auto dealer for trailer tow wiring kit.
E	ModuLite required.
FV	2003 Models w/Build date after 11/1/02.
FW	2003 Models w/Build date before 11/1/02.
G	Low-side switching system.
H	3 wire system with OEM standard 2 wire harness.
HG	T-One incorporates taillight converter.
HJ	Per Dodge owner's manual: If trailer is equipped with more than standard lighting (1 taillight per side) use of ModuLite or dealer supplied harness is required.
JM	Some early production 1994 models may require #118348.
LS	T-One incorporates low-side switching taillight converter. Additional installation time required.
M	Will fit with heavy-duty suspension.
N	DO NOT cut or splice vehicle wiring. Only use approved T-One or see auto dealer for trailer tow wiring kit.
NZ	DO NOT use ZCI with this application. Please use other approved kit or contact dealer.
QP	Will not fit vehicles with backup sensors built into rear bumper.
RD	For vehicles equipped with factory tow package may require additional components or may be used as a replacement harness.
RW	On some models it may require an upgraded flasher or ModuLite.
TR	Trimming or Modification of the vehicle connector may be required.
Z	May be equipped with Factory Tow Prep Plug. Determine at time of installation.

## PASSENGER CARS (PC)

Passenger car wiring positions are referenced by the letters PC and a number. Use the illustration to identify the wiring location for all passenger cars.

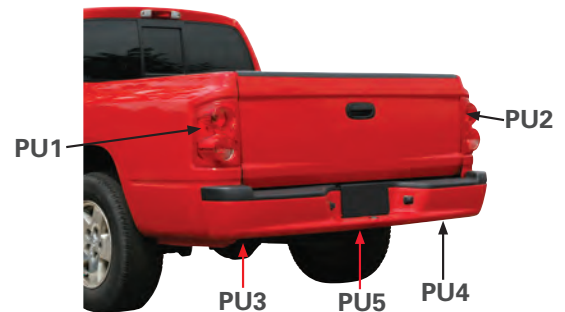
- PC1** - Behind driver side tail light - externally
- PC2** - Behind passenger side tail light - externally
- PC3** - Inside trunk behind driver side tail light - internally
- PC4** - Inside trunk behind passenger side tail light - internally
- PC5** - Under vehicle, driver side
- PC6** - Under vehicle, center
- PC7** - Under vehicle, passenger side



## PICKUP TRUCKS, FULL & MID-SIZE (PU)

Pickup truck wiring positions are referenced by the letters PU and a number. Use the illustration to identify the wiring location for all trucks.

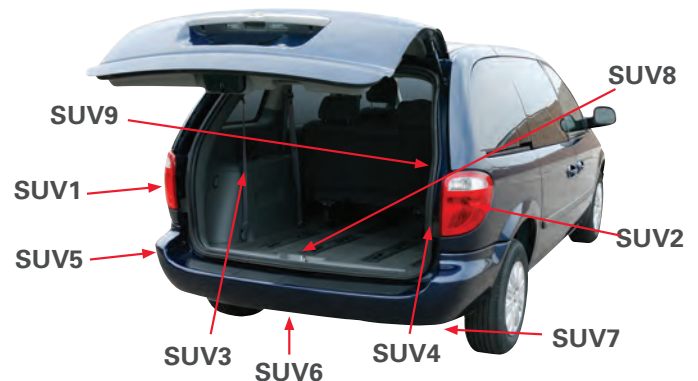
- PU1** - Behind driver side tail light
- PU2** - Behind passenger side tail light
- PU3** - Under vehicle, driver side
- PU4** - Under vehicle, passenger side
- PU5** - Under vehicle, center



## SPORT UTILITY, VAN & MINI-VANS (SUV)

Sport utility, vans & mini-van wiring positions are referenced by the letters SUV and a number. Use the illustration to identify the wiring location for all sport utility vehicles, vans and mini-vans.

- SUV1** - Behind driver side tail light
- SUV2** - Behind passenger side tail light
- SUV3** - Behind driver side trim panel
- SUV4** - Behind passenger side trim panel
- SUV5** - Under vehicle, driver side
- SUV6** - Under vehicle, center
- SUV7** - Under vehicle, passenger side
- SUV8** - Inside vehicle, center
- SUV9** - Inside vehicle, passenger side, behind panel near rear seat





# HITCH ACCESSORIES

**Draw-Tite®** has been designing and manufacturing the world's finest trailering products since 1946. That's why it makes sense to use genuine **Draw-Tite® Ball Mounts and Hitch Balls** to ensure the integrity of your tow vehicle's rig. **Draw-Tite®** components are designed and manufactured to work best with other **Draw-Tite®** products, and all are engineered to the same exacting standards for years of worry-free performance under the most demanding conditions.

## HITCH BALLS

Hitch Ball Selection .....	B-3
1-7/8 in. Hitch Balls .....	B-3
2 in. Hitch Balls .....	B-4
2-5/16 in. Hitch Balls .....	B-4
Interchangeable Hitch Balls .....	B-5
50mm Hitch Balls .....	B-5
Marine Hitch Balls .....	B-5

## BALL MOUNTS

Ball Mount Selection .....	B-6
Class I and II Drawbars .....	B-7
Class III and IV Ball Mounts .....	B-8 - B-10
Marine Ball Mounts .....	B-9
Towing Starter Kits .....	B-9
Aluminum Ball Mounts .....	B-9 - B-10
Class V Ball Mounts .....	B-11
Dual and Tri Ball Mounts .....	B-11 - B-13
Adjustable Ball Mounts .....	B-13 - B-14

## PINTLE HOOKS

Pintle Hook Mounts .....	B-17
Adjustable Pintle Mounts .....	B-17
Pintle Hooks .....	B-18
Pintle Hook Combinations .....	B-18
Lunette Rings .....	B-18
Receiver Mount Pintle Hooks .....	B-19
Receiver Mount Tow Hooks and Rings .....	B-19
Clevis Mounts .....	B-20

## HITCH ACCESSORIES

Reducer Sleeves and Adapters .....	B-15
Receiver Extensions .....	B-16
Pins and Clips .....	B-20
Anti-Rattle Systems .....	B-21
Locks .....	B-22 - B-23
Hitch Ball Accessories .....	B-24
Receiver Tube Covers .....	B-24

<b>DISCONTINUED PRODUCTS</b> .....	B-25 - B-30
------------------------------------	-------------

# FEATURED

## FULTON® MARINE ACCESSORIES

Designed for marine use, Fulton® brand products are time-tested and application-proven. Durable stainless steel finish for corrosion prevention and lasting good looks. Engineered to meet all safety requirements of SAE J684.

- Hitch ball, see page B-5 for additional information
- Ball mounts, see page B-9 for additional information
- Receiver lock, see page B-23 for additional information



## ADJUSTABLE BALL MOUNTS

The adjustable mount takes only a pull of the pin and a turn to get ready for towing with the most common hitch ball sizes. Just like you, it's always ready to get the job done.

- Height adjusts easily and securely with pins included
- Fits 2 in. receivers, rated up to 14,000 lbs. GTW
- Adjust height up to 10-1/2 in.
- Adjustable cast shank
- Knurled bolt pin with secure lanyard
- See page B-13 for additional information



## ADJUSTABLE PINTLE MOUNT

Tackle rough terrain with the toughest mounts in the industry. Adjustable for trailers of various heights and couplers. Converts quickly for a day of hassle-free towing.

- Fits 2 in. receivers, rated up to 14,000 lbs. GTW
- Adjust height up to 10-1/2 in.
- Adjustable cast shank, knurled bolt pin
- See page B-14 for additional information



## CLASS V 3 IN. BALL MOUNTS

Draw-Tite's heaviest duty ball mounts. Built tough for unparalleled strength and capacity. Metalshield™ finish fights rust and corrosion for years of protection from the elements.

- Fits 3 in. square receiver tube opening
- 21,000 lbs. towing capacity
- Solid forged steel
- See page B-11 for additional information





## HITCH BALLS

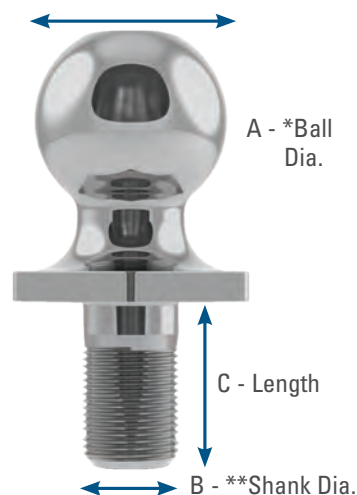
### SELECTING THE RIGHT HITCH BALL:

1. Always use the properly-rated hitch ball for your towing system
2. Your towing system's maximum weight rating is always equal to the lowest rated item in the system
3. Your hitching system cannot be upgraded to a rating higher than the maximum rating of your hitch

For example, a 3,500 lbs. ball on a 2,000 lbs. max trailer weight-rated hitch does not increase your towing capacity to 3,500 lbs. Your hitching system is still rated at 2,000 lbs.

- Conversely, a 2,000 lbs. ball on a 3,500 lbs. max trailer weight-rated hitch decreases your maximum towing capacity to 2,000 lbs
- The hitch ball diameter (A) must be the same diameter as the trailer coupler (1-7/8, 2 or 2-5/16 in.)
- The shank diameter (B) of the hitch ball should be the same as the hole diameter in the ball mount
- The shank length (C) should be long enough to allow at least two threads to be visible when the hitch ball is installed and the nut completely tightened

\*The ball diameter required is stamped into the coupler handle or body  
 \*\*During hitch ball installation, torque all 3/4 in. shank diameter balls to 160 ft. lbs., and 1 in. shank diameter balls to 250 ft. lbs., and 1-1/4 in. shank diameter balls to 450 ft. lbs.



Chrome



Stainless Steel

### 1-7/8 IN. STANDARD HITCH BALLS

- Solid steel hitch balls engineered to meet all safety requirements of SAE J684
- Forged for superior strength
- Chrome or stainless steel finish for corrosion prevention and lasting good looks
- When installing hitch balls, torque all 3/4 in. shank diameter balls to 160 ft. lbs.  
 all 1 in. shank diameter balls to 250 ft. lbs.  
 all 1-1/4 in. shank diameter balls to 450 ft. lbs.



Part Number	Finish	Capacity (lbs.)	A Ball Diameter (in.)	B Shank Diameter (in.)	C Shank Length (in.)	Drawbar Thickness (in.)	Packaging	Master Carton
63810	Chrome	2,000	1-7/8	3/4	1-1/2	3/8 - 5/8	Litho Box	12
63880	Chrome	2,000	1-7/8	3/4	1-1/2	3/8 - 5/8	Plastic Shroud	3
63812	Chrome	2,000	1-7/8	3/4	2-3/8	3/8 - 1-3/8	Litho Box	12
63882	Chrome	2,000	1-7/8	3/4	2-3/8	3/8 - 1-3/8	Plastic Shroud	3
63814	Chrome	2,000	1-7/8	3/4	3-3/8	3/8 - 2-1/8	Bulk	12
63816	Chrome	2,000	1-7/8	1	2-1/8	3/8 - 3/4	Bulk	12
63884	Chrome	2,000	1-7/8	1	2-1/8	3/8 - 3/4	Plastic Shroud	3
63851	Stainless Steel	2,000	1-7/8	1	2-1/8	3/8 - 3/4	Plastic Shroud	3



Chrome



Stainless Steel

## 2 IN. STANDARD HITCH BALLS

- Solid steel hitch balls engineered to meet all safety requirements of SAE J684
- Forged for superior strength
- Chrome or stainless steel finish for corrosion prevention and lasting good looks
- When installing hitch balls, torque  
all 3/4 in. shank diameter balls to 160 ft. lbs.  
all 1 in. shank diameter balls to 250 ft. lbs.  
all 1-1/4 in. shank diameter balls to 450 ft. lbs.



Part Number	Finish	Capacity (lbs.)	A Ball Diameter (in.)	B Shank Diameter (in.)	C Shank Length (in.)	Drawbar Thickness (in.)	Packaging	Master Carton
63820	Chrome	3,500	2	3/4	1-1/2	3/8 - 5/8	Bulk	12
63887	Chrome	3,500	2	3/4	1-1/2	3/8 - 5/8	Plastic Shroud	3
63822	Chrome	3,500	2	3/4	2-3/8	3/8 - 1-3/8	Bulk	12
63889	Chrome	3,500	2	3/4	2-3/8	3/8 - 1-3/8	Plastic Shroud	3
63824	Chrome	3,500	2	3/4	3-3/8	3/8 - 2-1/8	Bulk	12
63852	Stainless Steel	6,000	2	1	2-1/8	3/8 - 3/4	Plastic Shroud	3
63845	Chrome	7,500	2	1	2-1/8	3/8 - 3/4	Bulk	12
63909	Chrome	7,500	2	1	2-1/8	3/8 - 3/4	Plastic Shroud	3
63849	Chrome	7,500	2	1	3-1/4	3/8 - 2-1/8	Bulk	12
63830	Chrome	8,000	2	1-1/4	2-3/4	3/8 - 1	Bulk	12
63899	Chrome	8,000	2	1-1/4	2-3/4	3/8 - 1	Plastic Shroud	3



Chrome



Stainless Steel

## 2-5/16 IN. STANDARD HITCH BALLS

- Solid steel hitch balls engineered to meet all safety requirements of SAE J684
- Forged for superior strength
- Chrome or stainless steel finish for corrosion prevention and lasting good looks
- When installing hitch balls, torque  
all 3/4 in. shank diameter balls to 160 ft. lbs.  
all 1 in. shank diameter balls to 250 ft. lbs.  
all 1-1/4 in. shank diameter balls to 450 ft. lbs.



Part Number	Finish	Capacity (lbs.)	A Ball Diameter (in.)	B Shank Diameter (in.)	C Shank Length (in.)	Drawbar Thickness (in.)	Packaging	Master Carton
63853	Stainless Steel	6,000	2-5/16	1	2-1/8	3/8 - 3/4	Plastic Shroud	3
63908	Chrome	7,500	2-5/16	1	2-1/8	3/8 - 3/4	Plastic Shroud	3
63847	Chrome	7,500	2-5/16	1	2-1/8	3/8 - 3/4	Bulk	6
63834	Chrome	12,000	2-5/16	1-1/4	2-3/4	3/8 - 1	Bulk	6
63896	Chrome	12,000	2-5/16	1-1/4	2-3/4	3/8 - 1	Plastic Shroud	3
63836#	Chrome	14,000	2-5/16	1-1/4	2-3/4	3/8 - 1	Bulk	6
63840#	Chrome	20,000	2-5/16	1-1/4	2-3/4	3/8 - 1	Bulk	6
63864	Chrome	25,000	2-5/16	1-1/4	2-1/2	-	Display Label	6

# Hitch ball requires use with like rated receiver and ball mount. Consult tow vehicle owners manual for maximum towing capacities.

HITCH BALLS



**50MM (1,600KG) HITCH BALL**

- Solid steel hitch balls engineered to meet all safety requirements of SAE J684
- Forged for superior strength
- Castle nut and cotter pin included
- Torque to 160 ft. lbs.
- Chrome finish for corrosion prevention and lasting good looks



Part Number	Finish	Capacity (lbs.)	Ball Diameter (in.)	Shank Diameter (in.)	Shank Length (in.)	Drawbar Thickness (in.)	Packaging	Master Carton
63912	Chrome	3,500	50mm	3/4	1-1/2	3/8 - 5/8	Display Label	12



**INTERCHANGEABLE HITCH BALL SYSTEM**

Designed to accommodate towing multiple trailers with ease, the Interchangeable Hitch Ball System allows you to change hitch ball sizes in seconds without any tools. Available in 2- and 3-ball sets, these kits feature a quick-release, positive-latch design. Innovative quick release changes balls in seconds.

- Rated capacities up to 8,000 lbs.
- Durable heat-treated shank
- Positive latch design
- No special tools required
- Chrome finish for corrosion prevention and lasting good looks



Part Number	Finish	Capacity (lbs.)	Shank Diameter (in.)	Hitch Ball Diameters (in.)	Packaging	Master Carton
63802	Chrome	8,000	1	1-7/8 and 2	Litho Box	2
63803	Chrome	8,000	1	1-7/8, 2 and 2-5/16	Litho Box	2



**FULTON® MARINE HITCH BALL**

Designed for marine use, Fulton® brand hitch balls are time-tested and application-proven. A durable stainless steel finish keeps your hitch ball corrosion free. Ships complete with lock washer and nut. Solid steel hitch balls engineered to meet all safety requirements of SAE J684.

- Stainless steel finish for corrosion prevention and lasting good looks



Part Number	Finish	Capacity (lbs.)	Ball Diameter (in.)	Shank Diameter (in.)	Shank Length (in.)	Drawbar Thickness (in.)	Packaging	Master Carton
6385288	Stainless	6,000	2	1	2-1/8	3/8 - 3/4	Plastic Shroud	3

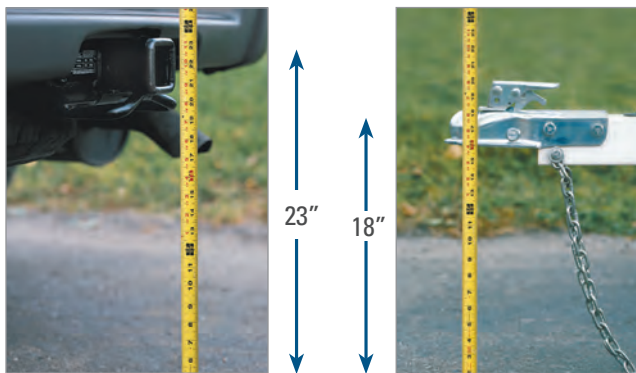
## BALL MOUNTS

There is a Draw-Tite ball mount for just about every application; from lightweight Class I hitches to heavy-duty Class V workhorse products. In addition, Draw-Tite® manufactures a number of specialty ball mounts for unique applications like leveling your trailer and converting a ball mount to a pintle hook. A wide range of accessories are also available to enable you to custom-equip your rig to your unique needs.

Choose from Class I- Class V conventional ball mounts with rise or drop styles and multiple lengths to meet your hitching needs. Draw-Tite's Towing Starter Kit contains everything you need to get underway with your trailer. A wide range of specialty hitches enable a quick conversion to other ball sizes and other hitching options. A range of accessories makes your trailering experience easier and more convenient. Make Draw-Tite® ball mounts your first and only choice in meeting your towing needs.

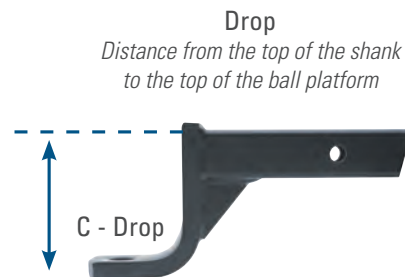
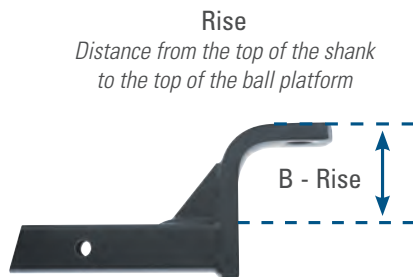
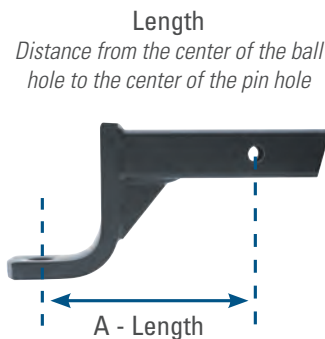
### SELECTING THE RIGHT BALL MOUNT:

1. Measure from the ground to the top of the hitch
2. Measure from the ground to the (inside) top of the trailer coupler (when level)
3. Subtract the height of the hitch ball from coupler measurement, (most are 2-1/2 in. - 3 in. high)
4. A 5 in. drop is needed to make their trailer level



(Example: 23 in. - 18 in. = 5 in. drop)

The difference in the two measurements is the amount of ball mount (A) - in.rise in. or (B) - in.drop in. required.



### BALL MOUNT STYLES:

We offer ball mounts in three separate styles; straight cut, angle cut and drop cut. Refer to the styles below to select the mount that best suits your needs.

Style 1 - Straight Cut



Style 2 - Angle Cut



Style 3 - Drop Cut





3590



3594

### CLASS I DRAWBAR KITS

- Boxed includes drawbar, pin and clip
- Fits 1-1/4 in. square receiver tube opening
- Black powder coat finish over E-coat

Part Number	Rating GTW/TW (lbs.)	Ball Hole Size (in.)	A Length (in.)	B Rise (in.)	C Drop (in.)	Style	Packaging	Master Carton
3590	2,000/200	3/4	6-5/8	5/8	-	1	Display Label	1
3591	2,000/200	3/4	9-3/4	5/8	-	1	Display Label	1
3592	2,000/200	3/4	9-3/4	2-1/8	2-3/4	3	Display Label	1
3593	2,000/200	3/4	6-5/8	2-1/8	2-3/4	3	Display Label	1
3594	2,000/200	3/4	10	4	-	2	Display Label	1

NOTE: Class I drawbar applications are specific. The correct replacement drawbar part number is listed on each Class I hitch installation instruction sheet.



36063



36071

### CLASS II DRAWBAR KITS

- Boxed includes drawbar, pin and clip
- Fits 1-1/4 in. square receiver tube opening
- Black powder coat finish over E-coat

Part Number	Rating GTW/TW (lbs.)	Ball Hole Size (in.)	A Length (in.)	B Rise (in.)	C Drop (in.)	Style	Packaging	Master Carton
36051	3,500/300	3/4	7	5/8	1-1/4	1	Display Label	1
36053	3,500/300	3/4	9-3/4	5/8	1-1/4	1	Display Label	1
36061	3,500/300	3/4	9-3/4	3-1/8	-	2	Display Label	1
36063	3,500/300	3/4	11-3/4	3-1/8	-	2	Display Label	1
36065	3,500/300	3/4	10	5	-	2	Display Label	1
36071	3,500/300	3/4	7-3/16	2-5/8	3-1/4	3	Display Label	1
36078*	3,500/300	3/4	7-3/8	-	4-3/4	3	Display Label	1

\* Fits 1-1/4 in. OEM Ford Explorer, Lincoln Aviator and Mercury Mountaineer hitch

NOTE: Class II drawbar applications are specific. The correct replacement drawbar part number is listed on each Class II hitch installation instruction sheet.



28451

### INVISI-HITCH™ DRAWBAR KIT

- Boxed includes drawbar, pin and clip
- Fits 1-1/4 in. square receiver tube opening
- Black powder coat finish over E-coat

Part Number	Rating GTW/TW (lbs.)	Ball Hole Size (in.)	A Length (in.)	B Rise (in.)	C Drop (in.)	Style	Packaging	Master Carton
28451	2,000/200	3/4	10-5/8	3-1/2	-	2	Display Label	1



2953

### CLASS III/IV MAX FRAME MOUNT KITS

- Includes pin and clip
- Fits 2 in. square receiver tube opening
- Black powder coat finish over E-coat

Part Number	Rating GTW/TW (lbs.)	Ball Hole Size (in.)	A Length (in.)	B Rise (in.)	C Drop (in.)	Style	Packaging	Master Carton
2923	7,500/750	1	8-1/2	3/4	2	2	Display Label	1
2953	7,500/750	1	9	2-3/4	4	3	Display Label	1



40342

### EASY LOAD BALL MOUNTS

- Featuring a revolutionary tapered shank design
- Easy-load ball mounts provide an easy connection to the receiver
- Fits 2 in. square receiver tube opening
- Black powder coat finish over E-coat

Part Number	Rating GTW/TW (lbs.)	Ball Hole Size (in.)	A Length (in.)	B Rise (in.)	C Drop (in.)	Style	Packaging	Master Carton
40342	7,500/750	1	8-1/2	3/4	2	2	Display Label	6
40343	6,000/600	1	10-1/2	3/4	2	2	Display Label	6
40344	7,500/750	1	9	2-3/4	4	2	Display Label	6
40345	6,000/600	1	11	2-3/4	4	2	Display Label	6
40346	7,500/750	1	9-1/2	4-3/4	6	2	Display Label	2



40344



2706

### UTILITY BALL MOUNTS

- Pin and clip sold separately
- Fits 2 in. square receiver tube opening
- Black powder coat finish over E-coat

Part Number	Rating GTW/TW (lbs.)	Ball Hole Size (in.)	A Length (in.)	B Rise (in.)	C Drop (in.)	Style	Packaging	Master Carton
2736	5,000/500	1	12	3/4	2	1	Display Label	6
2793	5,000/500	1	10	6-3/4	8	3	Display Label	2
2706	5,000/500 3,500/350	1	9	-	11	3	Display Label	2

STARTER KITS



40238-002



PDQ Tray

STANDARD TOWING STARTER KITS

- Point of purchase retail display
- Includes pin and clip
- Fits 2 in. square receiver tube opening
- Black powder coat finish over E-coat (except 40584-002 with chrome ball mount)

Part Number	Rating GTW/TW (lbs.)	Ball Hole Size (in.)	A Length (in.)	B Drop (in.)	Ball Size (in.)	Style	Packaging	Master Carton
83407-002	2,000/200	1	8-1/2	2	1-7/8	2	Display Label (2 Pack)	1
40058-002	7,500/750	1	8-1/2	2	2-5/16	2	PDQ Tray (2 Pack)	1
40238-002	7,500/750	1	9	4	2-5/16	2	PDQ Tray (2 Pack)	1
40583-002	7,500/750	1	8-1/2	2	2	2	PDQ Tray (2 Pack)	1
40644-002	7,500/750	1	9	4	2	2	PDQ Tray (2 Pack)	1



40565

INTERLOCK® TOWING STARTER KIT

- Includes 2 in. hitch ball
- Includes receiver lock
- Fits 2 in. square receiver tube opening
- Black powder coat finish over E-coat

Part Number	Rating GTW/TW (lbs.)	Ball Hole Size (in.)	A Length (in.)	B Rise (in.)	C Drop (in.)	Style	Packaging	Master Carton
40565	6,000/600	1	8-1/2	3/4	2	2	Plastic Case	2



4038288

FULTON® MARINE BALL MOUNTS

- Solid one-piece forged construction resists rust and corrosion
- 1 in. thick x 3 in. wide ball platforms
- Fits 2 in. square receiver tube opening
- Aluminum finish

Part Number	Rating GTW/TW (lbs.)	Length (in.)	Rise (in.)	Drop (in.)	Packaging	Master Carton
4038188	8,000/800	9-7/8	1	2	Display Label	2
4038288	8,000/800	10-5/8	3	4	Display Label	2
4038388	8,000/800	11-7/8	5	6	Display Label	2



### SOLID FORGED BALL MOUNTS

- Solid one-piece forged construction
- 1 in. thick x 3 in. wide ball platforms
- Angled, easy-load design
- Fits 2 in. square receiver tube opening
- Black powder coat finish over E-coat

Part Number	Rating GTW/TW (lbs.)	Ball Hole Size (in.)	A Length (in.)	B Rise (in.)	C Drop (in.)	Style	Packaging	Master Carton
40330	16,000/2,400	1-1/4	8-1/2	1	2	-	Display Label	2
40331	16,000/2,400	1-1/4	9-1/4	3	4	-	Display Label	2
40332	16,000/2,400	1-1/4	10-1/4	5	6	-	Display Label	2



### ALUMINUM SOLID FORGED BALL MOUNTS

- Solid one-piece forged construction
- 1 in. thick x 3 in. wide ball platforms
- Fits 2 in. square receiver tube opening
- Aluminum finish

Part Number	Rating GTW/TW (lbs.)	Ball Hole Size (in.)	A Length (in.)	B Rise (in.)	C Drop (in.)	Style	Packaging	Master Carton
40381	8,000/800	1	9-7/8	1	2	-	Display Label	2
40382	8,000/800	1	10-5/8	3	4	-	Display Label	2
40383	8,000/800	1	11-7/8	5	6	-	Display Label	2
40384	6,000/600	1	10-7/8	7	8	-	Display Label	2



### HOLLOW SHANK BALL MOUNTS

- Fits 2 in. square receiver tube opening
- Black powder coat finish over E-coat

Part Number	Rating GTW/TW (lbs.)	Ball Hole Size (in.)	A Length (in.)	B Rise (in.)	C Drop (in.)	Style	Packaging	Master Carton
40200	10,000/1,000	1-1/4	8-1/2	3/4	2	1	Display Label	2
40201	10,000/1,000	1-1/4	9	2-3/4	4	3	Display Label	2
40202	10,000/1,000	1-1/4	11-1/4	2-3/4	4	3	Display Label	2
40205	10,000/1,000	1-1/4	9	-	6	3	Display Label	2
40206	10,000/1,000	1-1/4	9	-	8	3	Display Label	2



### SOLID SHANK BALL MOUNTS

- Fits 2 in. square receiver tube opening
- Durable zinc coated finish

Part Number	Rating GTW/TW (lbs.)	Ball Hole Size (in.)	A Length (in.)	B Rise (in.)	C Drop (in.)	Style	Packaging	Master Carton
4280	12,000/1,200	1-1/4	8-1/2	1	2	1	Display Label	1
4284	12,000/1,200	1-1/4	12	1	2	1	Display Label	1
4281	12,000/1,200	1-1/4	8-1/2	3	4	3	Display Label	1
4285	12,000/1,200	1-1/4	12	3	4	3	Display Label	1
4282	12,000/1,200	1-1/4	9-1/2	5	6	3	Display Label	1
4283	12,000/1,200	1-1/4	9-1/2	7	8	3	Display Label	1



CLASS V BALL MOUNTS



45322

CLASS V 2-1/2 IN. BALL MOUNTS

- Fits 2-1/2 in. square receiver tube opening
- Black powder coat finish over E-coat

Part Number	Rating GTW/TW (lbs.)	Ball Hole Size (in.)	A Length (in.)	B Rise (in.)	C Drop (in.)	Style	Packaging	Master Carton
45122	14,000/1,400	1-1/4	9-3/4	1-1/2	3	3	Display Label	1
45123	13,000/1,300	1-1/4	10	3-1/2	5	3	Display Label	1
45291	13,000/1,300	1-1/4	10-1/2	-	7-3/4	3	Display Label	1
45322	18,000/2,000	1-1/4	10	1-1/2	3	3	Display Label	1
45323	18,000/2,000	1-1/4	10	3-1/2	5	3	Display Label	1



40701

CLASS V 3 IN. BALL MOUNTS

- Fits 3 in. square receiver tube opening
- Metalshield™ finish

Part Number	Rating GTW/TW (lbs.)	Ball Hole Size (in.)	A Length (in.)	B Rise (in.)	C Drop (in.)	Style	Packaging	Master Carton
40700	21,000/2,100	1-1/4	10-1/2	2	4	3	Display Label	1
40701	21,000/2,100	1-1/4	10-1/2	4	6	3	Display Label	1
40702	21,000/2,100	1-1/4	11-1/2	6	8	3	Display Label	1
40703	21,000/2,100	1-1/4	11-1/2	8	10	3	Display Label	1



38180

CLASS V DUAL-BALL MOUNT

- Fits 3 in. square receiver tube opening
- Black powder coat finish over E-coat

Part Number	Description	Rating GTW/TW (lbs.)	Length (in.)	Ball Size (in.)	Shank Hole Dia. (in.)	Packaging	Master Carton
38180	Dual-Ball Mount	17,000/1,700 25,000/2,500	9	2 2-5/16	3/4	Display Label	1



45325

CLASS V TRI-BALL HOLLOW SHANK

- Fits 2-1/2 in. square receiver tube opening
- Black powder coat finish over E-coat

Part Number	Description	Rating GTW/TW (lbs.)	Length (in.)	Ball Size (in.)	Packaging	Master Carton
45325	Tri-Ball Hollow Shank	2,000/200 10,000/1,000 14,000/1,400	8-3/4	1-7/8 2 2-5/16	Display Label	1



80796

### DUAL-BALL SOLID SHANKS

- Fits 2 in. square receiver tube opening
- Black powder coat finish over E-coat

Part Number	Description	Rating GTW/TW (lbs.)	Length (in.)	Ball Size (in.)	Packaging	Master Carton
80796	Dual-Ball Mount, Black Balls, Black Solid Shank	10,000/1,000	8	2	Boxed	2
		16,000/1,600	8	2-5/16		
80798	Dual-Ball Mount, Chrome Balls, Black Solid Shank	10,000/1,000 16,000/1,600	8 8	2 2-5/16	Boxed	2



80799

### TRI-BALL SOLID SHANKS

- Fits 2 in. square receiver tube opening
- Black powder coat finish over E-coat

Part Number	Description	Rating GTW/TW (lbs.)	Length (in.)	Ball Size (in.)	Packaging	Master Carton
80791	Tri-Ball Mount, Black Balls, Black Solid Shank	2,000/200	8	1-7/8	Display Label	2
		10,000/1,000 16,000/1,600	8 6-3/4	2 2-5/16		
80799	Tri-Ball Mount, Chrome Balls, Black Solid Shank	2,000/200 10,000/1,000 16,000/1,600	8 8 6-3/4	1-7/8 2 2-5/16	Display Label	2



80406

### DUAL-BALL HOLLOW SHANK

- Fits 2 in. square receiver tube opening
- Black powder coat finish over E-coat

Part Number	Description	Rating GTW/TW (lbs.)	Ball Size (in.)	Position	Packaging	Master Carton
80406	Dual-Ball Mount, Black Hollow Shank	6,000/600 6,000/600	2 2-5/16	Drop Rise	Boxed	1



80426

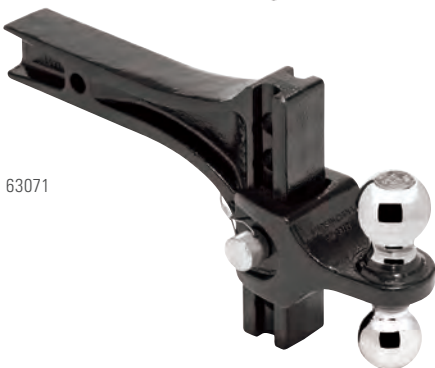
### TRI-BALL HOLLOW SHANKS

- Fits 2 in. square receiver tube opening
- Black powder coat finish over E-coat

Part Number	Description	Rating GTW/TW (lbs.)	Length (in.)	Ball Size (in.)	Packaging	Master Carton
80425	Tri-Ball Mount, Black Balls, Black Hollow Shank	2,000/200	8	1-7/8	Display Label	2
		6,000/600 10,000/1,000	8 6-3/4	2 2-5/16		
80426	Dual-Ball Mount, Chrome Balls, Black Hollow Shank	2,000/200 6,000/600 10,000/1,000	8 8 6-3/4	1-7/8 2 2-5/16	Display Label	2



63070



63071

### ADJUSTABLE BALL MOUNTS

The adjustable mount takes only a pull of the pin and a turn to get ready for towing with the most common hitch ball sizes. Just like you, it's always ready to get the job done.

- Height adjusts easily and securely with pins included
- Fits 2 in. receivers, rated up to 14,000 lbs. GTW
- Adjust height up to 10-1/2 in.
- Adjustable cast shank, knurled bolt pin with secure lanyard
- Black powder coat finish over E-coat

Part Number	Description	GTW (lbs.)	Length (in.)	Max Rise (in.)	Max Drop (in.)	Packaging	Master Carton
63070	Tri-Ball Ball Mount						
	1-7/8 in. Ball	2,000	11-9/16	5-11/16	4-3/4	Litho Box	1
	2 in. Ball	10,000					
2-5/16 in. Ball	14,000						
63071	Dual-Ball Mount						
	2 in. Ball	10,000	12	4-5/8	5-7/8	Litho Box	2
	2-5/16 in. Ball	14,000					
<b>Accessory</b>							
63069	Combo Lock Set for Adjustable Ball Mounts					Litho Box	6
<b>Replacement Part</b>							
63911	Replacement Cast Shank					Litho Box	1



63075

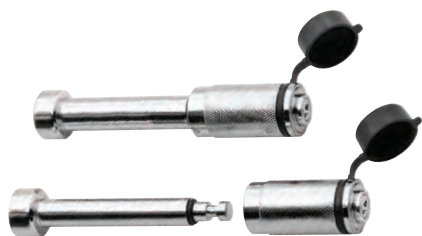


63076

### ADJUSTABLE BALL MOUNT HEAD UNITS

- Adjustable dual-ball mount system head unit only
- Adjustable height - perfect for towing multiple trailers of varying heights and couplers
- Knurled bolt pins
- Black powder coat finish over E-coat

Part Number	Description	GTW (lbs.)	Packaging	Master Carton
63075	Tri-Ball Ball Mount Head Unit			
	1-7/8 in. Ball	2,000	Litho Box	1
	2 in. Ball	10,000		
2-5/16 in. Ball	14,000			
63076	Dual-Ball Mount Head Unit			
	2 in. Ball	10,000	Litho Box	1
	2-5/16 in. Ball	14,000		



63069

### COMBINATION LOCK SET

- Replace knurled pins on adjustable ball mount heads with locks for added security
- 5/8 in. lock for 2 in. square receivers
- 3/4 in. lock for adjustable ball mount head unit
- Keyed alike

Part Number	Description	Packaging	Master Carton
63069	Combo Lock Set, 5/8 in. for 2 in. Square Receivers and 3/4 in. for Accessory (Keyed Alike)	Litho Box	6



21141

### ADJUSTABLE HOLLOW SHANK BALL MOUNT

- Fits 2 in. square receiver tube opening
- Quick release pin and clip for maximum adjustability
- Black powder coat finish over E-coat

Part Number	Description	Rating GTW/TW (lbs.)	Length (in.)	Max Rise (in.)	Max Drop (in.)	Packaging	Master Carton
21141	Complete Shank and Head Assembly with Quick Release Pin and Clip	5,000/500	13-1/2	6-1/4	7-1/2	Litho Box	1



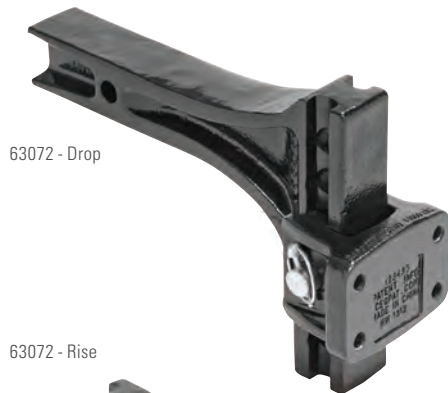
7390

### HOLLOW SHANK BALL MOUNT WITH SWAY CONTROL TAB

- Fits 2 in. square receiver tube opening
- Platform mounts for left or right hand sway control
- Black powder coat finish over E-coat

Part Number	Description	Rating GTW/TW (lbs.)	Length (in.)	Max Rise (in.)	Max Drop (in.)	Packaging	Master Carton
7390	Complete Shank and Head Assembly	6,000/600	12	3-3/4	5-1/4	Display Label	1

NOTE: Hitch ball, pin (55010) and clip (55515) sold separately. Not interchangeable with weight distribution replacement parts.



63072 - Drop

63072 - Rise

### ADJUSTABLE PINTLE MOUNT

Tackle rough terrain with the toughest mounts in the industry. Adjustable for trailers of various heights and couplers. Converts quickly for a day of hassle-free towing.

- Fits 2 in. receivers, rated up to 14,000 lbs. GTW
- Adjust height up to 10-1/2 in.
- Adjustable cast shank, knurled bolt pin
- Black powder coat finish over E-coat

Part Number	Description	Length (in.)	Max Rise (in.)	Max Drop (in.)	Packaging	Master Carton
63072	Adjustable Pintle Mount, 14,000 lbs. GTW	9-5/8	4-1/4	6-1/4	Litho Box	1
<b>Replacement Part</b>						
63911	Replacement Cast Shank Only				Litho Box	1





58431

58102

### 2-1/2 IN. to 2 IN. REDUCER SLEEVES

- Ball mount reducer bushing
- 5/8 in. pin hole
- Allows for 2 in. hitch mounted accessories
- Black powder coat finish over E-coat

Part Number	Description	Sleeve Reduction (in.)	Packaging	Master Carton
58431	Reducer Sleeve with Collar	2-1/2 to 2	Display Label	1
58102	Reducer Sleeve	2-1/2 to 2	Display Label	1



38735

### 3 IN. to 2 IN. REDUCER SLEEVES

- Ball mount reducer bushing
- 3/4 in. and 5/8 in. pin holes
- Allows for 2 in. hitch mounted accessories on Titan® Receivers
- Black powder coat finish over E-coat

Part Number	Description	Sleeve Reduction (in.)	Packaging	Master Carton
38735	Reducer Sleeve	3 to 2	Display Label	1



58552

58550

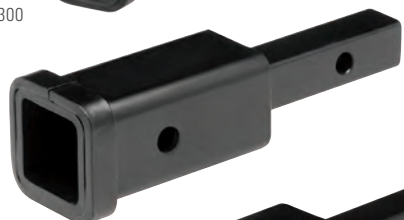
### 3 IN. to 2-1/2 IN. REDUCER SLEEVES

- Ball mount reducer sleeve
- 3/4 in. and 5/8 in. pin holes
- Allows for 2-1/2 in. hitch mounted accessories
- Can be used with weight distribution
- Metalshield™ finish

Part Number	Description	Sleeve Reduction (in.)	Packaging	Master Carton
58552	Reducer Sleeve	3 to 2-1/2	Display Label	2
58550	Reducer Sleeve with Collar	3 to 2-1/2	Display Label	2



80300



80303

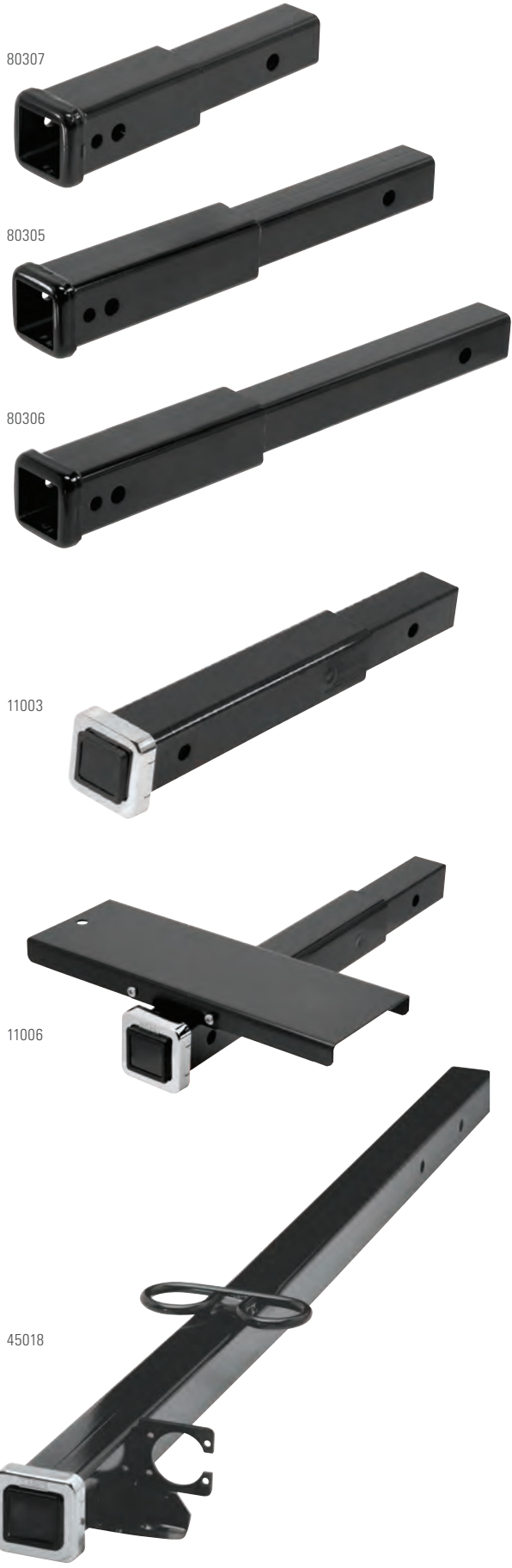


80304

### RECEIVER ADAPTERS

- Designed to extend the receiver opening from 6 in. to 14 in.
- Ideal for cargo carriers and bike carriers
- Use of this adapter reduces hitches' tow rating by 50%, with a maximum rating of 3,500 lbs. towing capacity
- Black powder coat finish over E-coat

Part Number	Description	Adapter Size (in.)	Capacity (lbs.)	Length (in.)	Packaging	Master Carton
80300	Receiver Adapter	2 to 1-1/4	3,500	7	Display Label	40
80301	Receiver Adapter	2 to 1-1/4	3,500	14	Display Label	100
80303	Receiver Adapter, Class II Only	1-1/4 to 2	3,500	6	Display Label	120
80304	Receiver Adapter, Class II Only	1-1/4 to 2	3,500	10	Display Label	72
Accessory						
58388	Class V Hitch Pin and Clip for 3 Square Receivers, 3/4 in.				Display Label	1



## RECEIVER EXTENSIONS

- Ideal for slide-out campers with extended overhangs
- Designed to extend the receiver up to 18 in.
- 2 in. square tube opening for use with ball mounts and hitch-mounted accessories
- 3,500 lbs. weight carrying capacity

Part Number	Description	Weight Carrying (lbs.)	Weight Distribution (lbs.)	Length (in.)	Packaging	Master Carton
80307	Receiver Extension	3,500	-	8	Display Label	1
80305	Receiver Extension	3,500	-	14	Display Label	50
80306	Receiver Extension	3,500	-	18	Display Label	1

## HEAVY DUTY RECEIVER EXTENSIONS

- Ideal for slide-out campers with extended overhangs
- Designed to extend the receiver up to 18 in.
- 2 in. square tube opening for use with ball mounts and hitch-mounted accessories
- 4,000 lbs. weight carrying capacity
- 6,500 lbs. weight distribution capacity

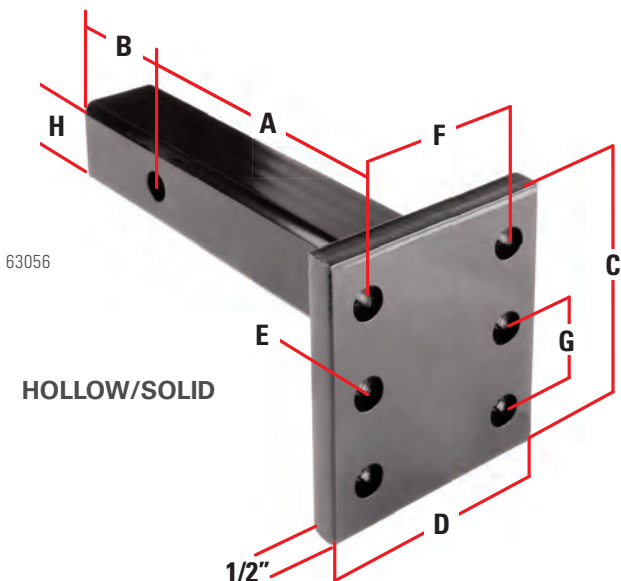
Part Number	Description	Weight Carrying (lbs.)	Weight Distribution (lbs.)	Length (in.)	Packaging	Master Carton
11003	HD Receiver Extension	4,000	6,500	14	Display Label	1
11004	HD Receiver Extension	4,000	6,500	18	Display Label	1
11006	HD Receiver Extension with Step	4,000	6,500	18	Display Label	1

## 2-1/2 IN. RECEIVER EXTENSIONS

- Ideal for slide-out campers with extended overhangs
- Designed to extend the receiver up to 48 in.
- 2 in. square tube opening for use with ball mounts and hitch-mounted accessories
- For 2-1/2 in. receivers
- Integrated electrical bracket attached
- Up to 6,000 lbs. weight carrying capacity
- Up to 7,500 lbs. weight distribution capacity

Part Number	Description	Weight Carrying (lbs.)	Weight Distribution (lbs.)	Length (in.)	Packaging	Master Carton
45292	2-1/2 in. Receiver Extension	6,000 4,500	8,000 6,000	24 34	Display Label	1
45018	2-1/2 in. Receiver Extension	5,000 4,000	7,500 6,000	41 48	Display Label	1

## PINTLE MOUNTS



63056

HOLLOW/SOLID



45294

FORGED

## PINTLE HOOK MOUNTS

- Converts receivers for use with pintle-type trailers, quickly and easily
- Provides mounting for both ball and pintle and rigid type pintle hooks
- Pin and clip must be ordered separately

Part Number	Shank	Rating GTW/TW (lbs.)	A Shank Length (in.)	B Length (in.)	H Shank (in.)	Shank Hole Diameter (in.)	C Height (in.)	D Width (in.)	E Mounting Hole (in.)	F Width (in.)	G Height (in.)	Hole Sets	Packaging	Master Carton
63056	Hollow	6,000/600	7-5/8	3	2	5/8	5-1/2	5	17/32	3-3/8	1-3/4	3	Litho Box	2
63057	Solid	12,000/1,200	7-5/8	3-1/4	2	5/8	7-1/2	5	17/32	3-3/8	1-3/4	4	Litho Box	2
63058	Solid	8,000/800	11-3/8	3-1/4	2	5/8	12-1/2	5	17/32	3-3/8	1-3/4	7	Litho Box	2
63059	Solid	12,000/1,200	11-3/8	3-1/4	2	5/8	7-1/2	5	17/32	3-3/8	1-3/4	4	Litho Box	2
45156	Hollow	12,000/1,200	7-3/4	3-1/4	2-1/2	5/8	6	5	17/32	3-3/8	1-3/4	3	Display Label	2
45294	Forged	18,000/2,000	8-1/2	4	2-1/2	5/8	7-1/4	5	17/32	3-3/8	1-3/4	4	Litho Box	1
38186	Forged	25,000/4,000	9	5	3	3/4	9	5	17/32	3-3/8	1-3/4	5	Display Label	1



63072 - Drop

63072 - Rise

## ADJUSTABLE PINTLE MOUNT

Tackle rough terrain with the toughest mounts in the industry. Adjustable for trailers of various heights and couplers. Converts quickly for a day of hassle-free towing.

- Fits 2 in. receivers, rated up to 14,000 lbs. GTW
- Adjust height up to 10-1/2 in.
- Adjustable cast shank, knurled bolt pin
- Black powder coat finish over E-coat

Part Number	Description	Length (in.)	Max Rise (in.)	Max Drop (in.)	Packaging	Master Carton
63072	Adjustable Pintle Mount, 14,000 lbs. GTW	9-5/8	4-1/4	6-1/4	Litho Box	2
<b>Replacement Part</b>						
63911	Replacement Cast Shank Only				Litho Box	1



63014



63016



63011



63012

### PINTLE HOOKS

- Heavy duty pintle hook
- Safety pin and lanyard included
- Includes Grade 8 hardware
- Black powder coat finish over E-coat

Part Number	Description	GTW with Mounting Hardware (lbs.)	Max Vertical Load (lbs.)	Packaging	Master Carton
63013	5 Ton Pintle Hook	10,000	2,000	Litho Box	4
63014	10 Ton Pintle Hook	20,000	4,000	Litho Box	4
63015	15 Ton Pintle Hook	30,000	6,000	Litho Box	4
63016	30 Ton Pintle Hook	60,000	14,000	Litho Box	4
Replacement Parts					
63020	Replacement Snapper Pin, 1/4 in.			Litho Box	20
63032	Replacement Hardware Mounting Kit, Plate Mounted Pintle Hooks/Combination Hitches			Litho Box	14

### 8 TON BALL AND PINTLE HOOK

- Heavy duty pintle hook combo
- Safety pin and lanyard included
- Includes Grade 8 hardware
- Black powder coat finish over E-coat

Part Number	Ball Size (in.)	Ball Rating (lbs.)	GTW with Mounting Hardware (lbs.)	Max Vertical Load (lbs.)	Packaging	Master Carton
6301020	1-7/8	6,000	16,000	3,000	Litho Box	4
6301120	2	10,000	16,000	3,000	Litho Box	4
6301220	2-5/16	14,000	16,000	3,000	Litho Box	4
63010†	1-7/8	6,000	16,000	3,000	Litho Box	4
63011†	2	10,000	16,000	3,000	Litho Box	4
63012†	2-5/16	14,000	16,000	3,000	Litho Box	4
Replacement Parts						
63050	1-7/8 in. Replacement Ball, 6,000 lbs., 1-1/8 in. Diameter				Litho Box	6
63051	2 in. Replacement Ball, 10,000 lbs., 1-1/8 in. Diameter				Litho Box	6
63052	2-5/16 in. Replacement Ball, 14,000 lbs., 1-1/8 in. Diameter				Litho Box	6
63017	1-7/8 in. Replacement Ball, 6,000 lbs., 1-1/4 Diameter				Litho Box	6
63018	2 in. Replacement Ball, 10,000 lbs., 1-1/4 in. Diameter				Litho Box	6
63019	2-5/16 in. Replacement Ball, 14,000 lbs., 1-1/4 in. Diameter				Litho Box	6
63020	Replacement Snapper Pin, 1/4 in.				Litho Box	20
63032	Replacement Hardware Mounting Kit, Plate Mounted Pintle Hooks/Combination Hitches				Litho Box	14

NOTE: 6301020, 6301120 and 6301220 are replacing 63010, 63011 and 63012.  
 † = Available while supplies last.





63043



63041



63045



63044



63046

### ONE PIECE PINTLE COMBINATION

- Fits 2 in. square receiver tube opening
- Solid shank
- Black powder coat finish over E-coat

Part Number	Description	Max GTW (lbs.)	Ball GTW (lbs.)	Max Vertical Load (lbs.)	Packaging	Master Carton
63043	5 Ton Receiver Mount Pintle Hook	10,000	-	2,000	Litho Box	2
63040	1-7/8 in. Receiver Mount Pintle Ball Combination	12,000	2,000	2,400	Litho Box	2
63041	2 in. Receiver Mount Pintle Ball Combination	12,000	7,000	2,400	Litho Box	2
63042	2-5/16 in. Receiver Mount Pintle Ball Combination	12,000	12,000	2,400	Litho Box	2

### TOW EYELET

- Fits 2 in. square receiver tube opening
- 2-1/2 in. eyelet opening
- Solid shank
- Black powder coat finish over E-coat

Part Number	Description	Max GTW (lbs.)	Length (in.)	Packaging	Master Carton
63045	Tow Eyelet, Forged	10,000	7-3/8	Litho Box	4

### TOW HOOK

- Fits 2 in. square receiver tube opening
- Solid shank
- Black powder coat finish over E-coat

Part Number	Description	Max GTW (lbs.)	Length (in.)	Packaging	Master Carton
63044	Tow Hook, Forged	10,000	7-3/4	Litho Box	4

### TOW RING

- Fits 2 in. square receiver tube opening
- Solid shank
- Black powder coat finish over E-coat

Part Number	Description	Max GTW (lbs.)	Length (in.)	Packaging	Master Carton
63046	Tow Ring	8,000	7-3/8	Litho Box	4



63089

### BALL MOUNT STORAGE

- Mountable in horizontal or vertical position
- Fits 2 in. ball mounts

Part Number	Description	Packaging	Master Carton
63089	2 in. Ball Mount Storage, (3 Pack)	Litho Box	3



63240



55010



63242



63258

### PINS AND CLIPS

- Pins and clips are included with all Class I and Class II hitches

Part Number	Description	Packaging	Master Carton
63241	Class I/II Pin and Clip, 1/2 in., Groove Style	Litho Box	6
63240	Class III/IV Pin and Clip, 5/8 in., Groove Style	Litho Box	6
63242	Class III/IV Pin and Clip, 5/8 in., Hole Style	Litho Box	6
63243	Class V Pin and Clip, 5/8 in., Groove Style	Litho Box	6
06237	Class I/II Pin, 1/2 in., Groove Style	Display Label	1
55010	Class III/IV Pin, 5/8 in., Groove Style	Display Label	1
58388	Class V Hitch Pin and Clip for 3 in. Square Receiver, 3/4 in. Diameter, 4 in. Span	Display Label	1
63258	Class V Hitch Pin and Clip for 3 in. Square Receiver, 3/4 in. and 5/8 in. Diameter, 4 in. Span	Litho Box	3



63205



63203

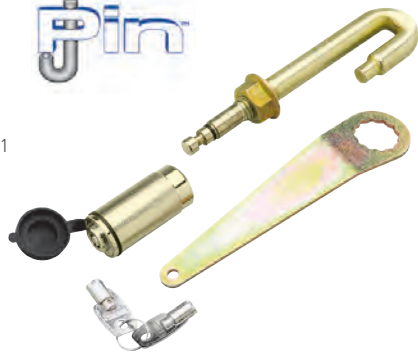
### SWIVEL LATCH PINS

Part Number	Description	Packaging	Master Carton
63203	5/8 in. Integral Pin and Clip, Stainless Steel	Litho Box	12
63204	1/2 in. Integral Pin and Clip, Zinc	Litho Box	12
63205	5/8 in. Integral Pin and Clip, Zinc	Litho Box	12

ANTI-RATTLE ACCESSORIES



63201



**J-PIN® STABILIZING PIN WITH LOCK**

- More than just a hitch pin, J-Pin quickly and confidently secures ball mounts and other hitch-mounted accessories, eliminating the sway and rattle caused by part clearance issues
- Ideal for bike racks and hitch-mounted cargo carriers
- Attachment wrench included
- Requires hitch with additional 17/32 in. hole in receiver tube
- Convenient 1/4 in. turn key for ease of use

Part Number	Description	Packaging	Master Carton
63201	J-Pin Anti-Rattle Pin with Barrel Lockset	Litho Box	12

**QSP™ HITCH SILENCING SYSTEM**

- Designed to work with most Draw-Tite, Class III 2 in. receivers (will not fit Ultra Frame models)
- Helps to tighten fit connection between receiver and accessory
- Reduces amount of sway in attached bike racks and cargo carriers
- High strength, aluminum construction collar and cam arm
- Magnetic, poly cover helps protect receiver from weather and debris
- Easy to install

63080



Part Number	Description	Packaging	Master Carton
63080	QSP Hitch Silencing System, Draw-Tite	Litho Box	50
63082	QSP Hitch Silencing System, Hidden Hitch	Litho Box	50

**LOCK-TITE™ ANTI-RATTLE PIN**

- Anti-Rattle device for cargo accessories, ball mounts, and more
- Handy insertion tool included
- Fits 2 in. receivers
- Keyed lock and wrench included
- Patent Pending

63100



Part Number	Description	Packaging	Master Carton
63100	Lock-Tite Anti-Rattle Pin with Lock and Wrench, 5/8 in.	Litho Box	6

**ANTI-RATTLE DEVICE**

- Used to significantly reduce rattling noise and movement of accessories that are inserted into a receiver style hitch (e.g. ball mounts, bike racks, ski racks, cargo racks, etc.)
- Steel constructed
- Hitch pin not included
- Black powder coat finish over E-coat

63091



Part Number	Description	Packaging	Master Carton
63090	Anti-Rattle Device for 1-1/4 in. Square Receivers (Class I and II Receivers)	Litho Box	24
63091	Anti-Rattle Device for 2 in. Square Receivers (Class III and IV Receivers)	Litho Box	24

580400



580401



580403



### LIFELONG® LOCKS

- Delivers triple security
- Stronger break resistance
- Dual self-locking design
- High security square key design
- Includes dust cap

Part Number	Description	Packaging	Master Carton
580400	Chrome Bent Shank Lock for Class III and IV, 5/8 in. Diameter	Plastic Shroud	3
580401	Chrome Dogbone Lock for Class III and IV, 5/8 in. Diameter	Plastic Shroud	3
580402	Stainless Steel Dogbone lock for Class III and IV, 5/8 in. Diameter	Plastic Shroud	3
580403	Chrome Coupler Lock	Plastic Shroud	3
580404	Chrome Combo Lock Set, 5/8 in. Dogbone Receiver and Coupler for Class III and IV	Plastic Shroud	3

580405



580407



580408



### LOCKS

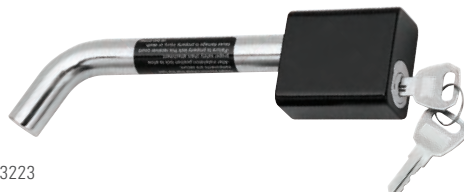
- Includes dust cap
- Easy access models feature side key entry and sliding dust cap
- Lock housing rotates 360°

Part Number	Description	Packaging	Master Carton
580405	Stainless Steel Dogbone Lock with Sleeve for 1-1/4 in. and 2 in. Square Receivers	Plastic Shroud	3
580406	Stainless Steel Combo Lock Set, 5/8 in. Dogbone Lock with Sleeve for 1-1/4 in. and 2 in. Square Receivers and Coupler	Plastic Shroud	3
580407	Easy Access Lock with Sleeve for 1-1/4 in. and 2 in. Square Receivers	Plastic Shroud	3
580408	Stainless Steel Coupler Lock	Plastic Shroud	6
580409	Easy Access Long Coupler Lock	Plastic Shroud	3
580410	Easy Access Adjustable Coupler Lock	Plastic Shroud	3

63248



63223



### RECEIVER LOCKS

Part Number	Description	Packaging	Master Carton
63248	Bent Pin Lock with Extra Pin for 1-1/4 in. and 2 in. Square Receivers, 5/8 in. and 1/2 in. Diameters	Litho Box	3
63224	Bent Pin Lock for 1-1/4 in. Square Receivers, Perfect for Fifth Wheel Base Rails, 1/2 in. Diameter	Litho Box	6
63223	Bent Pin Lock for 2 in. and 2-1/2 in. Square Receivers, 5/8 in. Diameter	Litho Box	3
63252	Dogbone Lock for 2-1/2 in. Square Receivers, 3-1/2 in. Span, Class V, 5/8 in. Diameter	Litho Box	6
63253	Bent Pin Lock for 2-1/2 in. Square Receivers, 3-1/2 in. Span, Class V, 5/8 in. Diameter	Litho Box	6

**LOCKS**



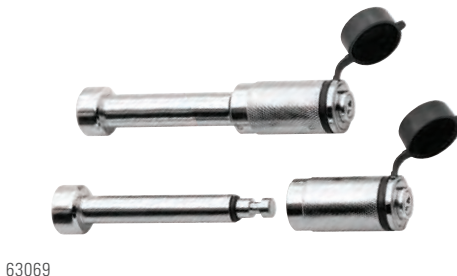
**RECEIVER LOCKS**

Part Number	Description	Packaging	Master Carton
580412	Receiver Lock, Dogbone Style, 5/8 in. for 2-1/2 in. Square Receivers, Class V	Plastic Shroud	6
63259	Receiver Lock, Dogbone Style, 5/8 in. for 3 in. Square Receivers, Sleeved to 3/4 in., Class V	Litho Box	3
63260	Receiver Lock, 5/8 in. for 3 in. Square Receivers, Sleeved to 3/4 in., Ball Bearing Pick Proof Design, Class V	Litho Box	3
7006100	Combo Lock Set, Bent Pin Receiver Lock, 1/2 in. and 5/8 in. and Coupler Lock Set	Plastic Shroud	3



**COUPLER LOCKS**

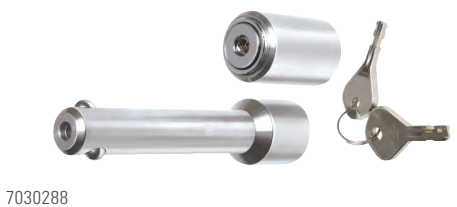
Part Number	Description	Packaging	Master Carton
63225	Coupler Lock, Fits Most Straight Tongue Couplers, 1/4 in. Pin Diameter, 3/4 in. Span	Litho Box	3
63227	Coupler Lock for 2-5/16 in. Ball	Litho Box	6
63228	Coupler Lock for 2 in. Ball	Litho Box	6
55003	Universal Coupler Lock, Fits 1-7/8 in., 2 in. and 2-5/16 in. Couplers, Yellow	Display Label	3
72783	Universal Coupler Lock, Fits 1-7/8 in., 2 in. and 2-5/16 in. Couplers, Yellow	Plastic Shroud	3
7005300	Adjustable Coupler Lock, Brass	Plastic Shroud	6



**COMBINATION LOCK SET**

- 5/8 in. lock for 2 in. square receivers
- 3/4 in. lock for adjustable ball mount head unit
- Keyed alike

Part Number	Description	Packaging	Master Carton
63069	Combo Lock Set, 5/8 in. for 2 in. Square Receivers and 3/4 in. for Accessory (Keyed Alike)	Litho Box	6



**FULTON® MARINE RECEIVER LOCK**

- Designed for marine use
- 5/8 in. lock for 2 in. square receivers
- Stainless steel finish protects against corrosion

Part Number	Description	Packaging	Master Carton
7030288	Fulton Marine Lock, 5/8 in. for 2 in. Square Receivers	Litho Box	6



**TOW & STORE™ LOCK SET**

- Guards against towed and parked trailer thefts
- Universal coupler lock: 1-7/8 in., 2 in., 2-5/16 in.
- Dual bent pin lock: 1/2 in., 5/8 in.
- Adjustable coupler lock: 5/8 in., 1 in.
- 3 interchangeable keys
- Carry case included

Part Number	Description	Packaging	Master Carton
63256	Tow & Store Lock Set, Universal Coupler Lock, Trailer Lock and Receiver Lock, Keyed Alike	Litho Box	2



CLK15 0100

### CABLE LOCKS

- Secures items to vehicle

Part Number	Description	Packaging	Master Carton
CLK15 0100	Cable Lock with Key, 3/16 in. x 15 ft. Length	Display Bag	6
63255	Cable Lock, 5/16 in. x 4 ft. Length	Litho Box	3

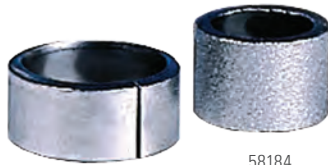


63300

### HITCH AND TRAILER ALIGNMENT TOOL

- Convenient one person hitch alignment system
- Magnetic base for fast and easy location
- Telescoping rods adjust up to 42 in.
- Easy to use the first time

Part Number	Description	Packaging	Master Carton
63300	Hitch and Trailer Alignment Tool	Litho Box	3



58109

58184

### HITCH BALL REDUCER BUSHINGS

Part Number	Description	Packaging	Master Carton
58109	Reducer Bushing, 1 in. Hitch Ball Shank Hole to 3/4 in.	Clamshell	6
58184	Reducer Bushing, 1-1/4 in. Hitch Ball Shank Hole to 1 in.	Clamshell	6



58117

### HITCH BALL LUBE

- Reduces friction
- Will not break down
- Non-toxic

Part Number	Description	Packaging	Master Carton
58117	Hitch Ball Lube, 4 oz. Jar	Jar	12



74342

### HITCH BALL WRENCH

- Allows one wrench to tighten hitch balls
- 1-1/8 in. and 1-1/2 in. - boxed on both ends

Part Number	Description	Packaging	Master Carton
74342	Hitch Ball Wrench, Boxed End 1-1/8 in. and 1-1/2 in.	Display Label	5



7010

### RECEIVER TUBE COVERS

Part Number	Description	Packaging	Master Carton
60037	Class I/II, Rubber 1-1/4 in. Square with Hidden Hitch Logo	Display Card	60
1202	Receiver Tube Cover, 2 in. Square, Black	Bulk	24
5363	Receiver Tube Cover, 2 in. Square, Black	Display Card	1
5362	Rubber Receiver Tube Cover, 1-1/4 in. Square with in.D in. Draw-Tite Logo	Display Card	1
2211	Rubber, 1-1/4 in. Square with in.D in. Draw-Tite Logo	Bulk	300
7050	Rubber, 2 in. Square with in.D in. Draw-Tite Logo	Display Card	1
7010	Rubber, 2 in. Square with in.D in. Draw-Tite Logo	Bulk	200

## DISCONTINUED PRODUCTS

### **LAST CHANCE** STANDARD HITCH BALLS

Part Number	Finish	Ball Diameter (in.)	Shank Diameter (in.)	Shank Length (in.)	Drawbar Thickness (in.)	Capacity (lbs.)	Packaging	Master Carton
63811†	Zinc	1-7/8	3/4	1-1/2	3/8 - 5/8	2,000	Litho Box	12
63813†	Zinc	1-7/8	3/4	2-3/8	3/8 - 1-3/8	2,000	Litho Box	12
63817†	Zinc	1-7/8	1	2-1/8	3/8 - 3/4	2,000	Bulk	12
63819†	Zinc	1-7/8	1	3-3/8	3/8 - 2-1/8	2,000	Bulk	12
63881†	Zinc	1-7/8	3/4	1-1/2	3/8 - 5/8	2,000	Plastic Shroud	3
63885†	Zinc	1-7/8	1	2-1/8	3/8 - 3/4	2,000	Plastic Shroud	3
63818†	Chrome	1-7/8	1	3-3/8	3/8 - 2-1/8	2,000	Bulk	12
63810-006†	Chrome	1-7/8	3/4	1-1/2	3/8 - 5/8	2,000	Litho Box (6 Pack)	6
63816-006†	Chrome	1-7/8	1	2-1/8	3/8 - 3/4	2,000	Bulk (6 Pack)	6
63821†	Zinc	2	3/4	1-1/2	3/8 - 5/8	3,500	Bulk	12
63823†	Zinc	2	3/4	2-3/8	3/8 - 1-3/8	3,500	Bulk	12
63848†	Zinc	2	1	2-1/8	3/8 - 3/4	7,500	Bulk	12
63850†	Zinc	2	1	3-1/4	3/8 - 2-1/8	7,500	Bulk	12
63831†	Zinc	2	1-1/4	2-3/4	3/8 - 1	8,000	Bulk	12
63888†	Zinc	2	3/4	1-1/2	3/8 - 5/8	3,500	Plastic Shroud	3
63910†	Zinc	2	1	2-1/8	3/8 - 3/4	7,500	Plastic Shroud	3
63845-006†	Chrome	2	1	2-1/8	3/8 - 3/4	7,500	Bulk (6 Pack)	-
028375†	Precision Machined	2	3/4	2-1/8	3/8 - 3/4	3,000	Bulk	-
028351†	Precision Machined	2	1	2-1/8	3/8 - 3/4	5,000	Bulk	-
028352†	Precision Machined	2	1	2-1/8	3/8 - 3/4	7,000	Bulk	1
63846†	Zinc	2-5/16	1	2-1/8	3/8 - 3/4	7,500	Bulk	6
63835†	Zinc	2-5/16	1-1/4	2-3/4	3/8 - 1	12,000	Bulk	6
63907†	Zinc	2-5/16	1	2-1/8	3/8 - 3/4	7,500	Plastic Shroud	3
63897†	Zinc	2-5/16	1-1/4	2-3/4	3/8 - 1	12,000	Plastic Shroud	3
63847-006†	Chrome	2-5/16	1	2-1/8	3/8 - 3/4	7,500	Bulk (6 Pack)	-
028400†	Precision Machined	2-5/16	1-1/4	2-3/4	3/8 - 1	12,500	Bulk	-

### **LAST CHANCE** INTERCHANGEABLE HITCH BALL SYSTEM



63801†

Part Number	Description	Substitute Part Number	Packaging	Master Carton
63801†	Interchangeable Hitch Ball, 3/4 in. Shank, 1-7/8 in. and 2 in. Balls, 5,000 lbs. Rating	63802	Litho Box	2
63804†	Interchangeable Hitch Ball, 1 in. Shank, 2 in. and 2-5/16 in. Balls, 8,000 lbs. Rating	63803	Litho Box	2
63805†	1-7/8 in. Interchangeable Hitch Ball Head	63802	Litho Box	25
63806†	2 in. Interchangeable Hitch Ball Head	63802	Litho Box	25
63807†	2-5/16 in. Interchangeable Hitch Ball Head	63803	Litho Box	25
63808†	3/4 in. Interchangeable Hitch Ball Shank	63802	Litho Box	10
63809†	1 in. Interchangeable Hitch Ball Shank	63803	Litho Box	10



80100†

### **LAST CHANCE** REDUCER BUSHINGS

Part Number	Description	Substitute Part Number	Packaging	Master Carton
80100†	Reducer Bushing 1 in. to 3/4 in.	58109	Clamshell	20
80106†	Reducer Bushing 1-1/4 in. to 1 in.	58184	Poly Bag	20

† = Available while supplies last



40342-006†



40344-006†



2736†



40584-002†



80472-002†



83058-002†

**LAST CHANCE**

**EASY LOAD BALL MOUNTS**

Part Number	Description	Substitute Part Number	Packaging	Master Carton
40342-006†	Easy Load Ball Mount, 7,500 lbs. Capacity, 1 in. Ball Hole Size, 8-1/2 in. Length, 3/4 in. Rise and 2 in. Drop, (6 Pack)	40342	Boxed	1
40343-006†	Easy Load Ball Mount, 6,000 lbs. Capacity, 1 in. Ball Hole Size, 10-1/2 in. Length, 3/4 in. Rise and 2 in. Drop, (6 Pack)	40343	Boxed	1
40344-006†	Easy Load Ball Mount, 7,500 lbs. Capacity, 1 in. Ball Hole Size, 9 in. Length, 2-3/4 in. Rise and 4 in. Drop, (6 Pack)	40344	Boxed	1
40345-006†	Easy Load Ball Mount, 6,000 lbs. Capacity, 1 in. Ball Hole Size, 11 in. Length, 2-3/4 in. Rise and 4 in. Drop, (6 Pack)	40345	Boxed	1
40346-002†	Easy Load Ball Mount, 7,500 lbs. Capacity, 1 in. Ball Hole Size, 9-1/2 in. Length, 4-3/4 in. Rise and 6 in. Drop, (6 Pack)	40346	Boxed	1

**LAST CHANCE**

**UTILITY BALL MOUNTS**

Part Number	Description	Substitute Part Number	Packaging	Master Carton
2736-006†	Utility Ball Mount, 5,000 lbs. Capacity, 1 in. Ball Hole Size, 12 in. Length, 3/4 in. Rise and 2 in. Drop, (6 Pack)	2736	Boxed	1
2793-002†	Utility Ball Mount, 5,000 lbs. Capacity, 1 in. Ball Hole Size, 10 in. Length, 6-3/4 in. Rise and 8 in. Drop, (2 Pack)	2793	Boxed	2

**LAST CHANCE**

**TOWING STARTER KITS**

Part Number	Description	Substitute Part Number	Packaging	Master Carton
40584-002†	Draw-Tite Starter Kit, 7,500 lbs. Capacity, 1 in. Ball Hole Size, 8-1/2 in. Length, 2 in. Rise and 2 in. Drop, (2 Pack)	40583-002	PDQ Tray	-
80058-002†	Hidden Hitch Starter Kit, 7,500 lbs. Capacity, 1 in. Ball Hole Size, 8-1/2 in. Length, 2 in. Rise and 2-5/16 in. Drop, (2 Pack)	40058-002	Display Label	-
80472-002†	Hidden Hitch Starter Kit, 7,500 lbs. Capacity, 1 in. Ball Hole Size, 9 in. Length, 4 in. Rise and 2-5/16 in. Drop, (2 Pack)	40238-002	Display Label	-
80583-002†	Hidden Hitch Starter Kit, 7,500 lbs. Capacity, 1 in. Ball Hole Size, 8-1/2 in. Length, 2 in. Rise and 2 in. Drop, (2 Pack)	40583	Display Label	-
80644-002†	Hidden Hitch Starter Kit, 7,500 lbs. Capacity, 1 in. Ball Hole Size, 9 in. Length, 4 in. Rise and 2 in. Drop, (2 Pack)	40644-002	Display Label	-
83058-002†	REESE Starter Kit, 7,500 lbs. Capacity, 1 in. Ball Hole Size, 8-1/2 in. Length, 2 in. Rise and 2-5/16 in. Drop, (2 Pack)	40058-002	Display Label	-
83238-002†	REESE Starter Kit, 7,500 lbs. Capacity, 1 in. Ball Hole Size, 9 in. Length, 4 in. Rise and 2-5/16 in. Drop, (2 Pack)	40238-002	Display Label	-
83583-002†	REESE Starter Kit, 7,500 lbs. Capacity, 1 in. Ball Hole Size, 8-1/2 in. Length, 2 in. Rise and 2 in. Drop, (2 Pack)	40583-002	Display Label	-
83644-002†	REESE Starter Kit, 7,500 lbs. Capacity, 1 in. Ball Hole Size, 9 in. Length, 4 in. Rise and 2 in. Drop, (2 Pack)	40644-002	Display Label	-

† = Available while supplies last



DISCONTINUED PRODUCTS



40331-002†



80795†



80404†



6580†



40446†

**LAST CHANCE** SOLID FORGED BALL MOUNT

Part Number	Description	Substitute Part Number	Packaging	Master Carton
40330-002†	Solid Forged Ball Mount, 16,000 lbs. Capacity, 1-1/4 in. Ball Hole Size, 8-1/2 in. Length, 1 in. Rise and 2 in. Drop, (2 Pack)	40330	Boxed	1
40331-002†	Solid Forged Ball Mount, 16,000 lbs. Capacity, 1-1/4 in. Ball Hole Size, 9-1/4 in. Length, 3 in. Rise and 4 in. Drop, (2 Pack)	40331	Display Label	1
40332-002†	Solid Forged Ball Mount, 16,000 lbs. Capacity, 1-1/4 in. Ball Hole Size, 10-1/4 in. Length, 5 in. Rise and 6 in. Drop, (2 Pack)	40332	Boxed	1

**LAST CHANCE** DUAL-BALL SOLID SHANKS

Part Number	Description	Substitute Part Number	Packaging	Master Carton
80795†	Dual Ball Mount with Black Balls, 8 in. Length, 1-7/8 in. Ball - 2,000 lbs. Capacity, 2 in. Ball - 10,000 lbs. Capacity	80796	Boxed	2
80797†	Dual Ball Mount with Chrome Balls, 8 in. Length, 1-7/8 in. Ball - 2,000 lbs. Capacity, 2 in. Ball - 10,000 lbs. Capacity	80798	Boxed	2

**LAST CHANCE** DUAL-BALL HALLOW SHANK

Part Number	Description	Substitute Part Number	Packaging	Master Carton
80404†	Dual Ball Mount with Hollow Shank, Rise - 1-7/8 in. Ball, 2,000 lbs. Capacity Drop - 2 in. Ball - 6,000 lbs. Capacity	80406	Boxed	-

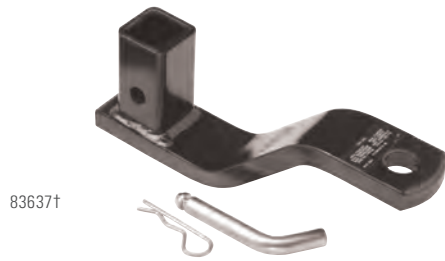
**LAST CHANCE** ADJUSTABLE HOLLOW SHANK BALL MOUNT

Part Number	Description	Substitute Part Number	Packaging	Master Carton
6580†	Complete Shank and Head Assembly with Quick Release Pin and Clip, 6,000 lbs. Capacity, 12 in. Length, 6-1/8 Max Rise, and 7-3/8 in. Max Drop	21141	Boxed	1

**LAST CHANCE** PACKAGED ANGLE CUT BALL MOUNTS

Part Number	Description	Substitute Part Number	Packaging	Master Carton
40443†	Angle Cut Ball Mount, 6,000 lbs. Capacity, 1 in. Ball Hole Size, 10-1/2 in. Length, 3/4 in. Rise and 2 in. Drop	40343	Boxed	-
40446†	Angle Cut Ball Mount, 6,000 lbs. Capacity, 1 in. Ball Hole Size, 9-1/2 in. Length, 4-3/4 in. Rise and 6 in. Drop	40346	Boxed	-

† = Available while supplies last



83637†

**LAST CHANCE****OEM DRAWBAR KIT**

Part Number	Description	Substitute Part Number	Packaging	Master Carton
83637†	OEM Drawbar Kit, 2,000 lbs. Capacity, 3/4 in. Ball Hole Size	-	Display Label	-



6201†

**LAST CHANCE****CLEVIS MOUNTS**

Part Number	Description	Substitute Part Number	Packaging	Master Carton
80410†	Clevis Mount, 1 in. Hole, - Ball Mount has 1-1/4 in. Drop, - Clevis Mount has 3 in. Drop, 6,000 lbs. Capacity, 11 in. Length	5762	Plastic Shroud	1
5762†	Clevis Mount, 1 in. Hole, - 6,000 lbs. Capacity, 9-3/4 in. Length	-	Boxed	1
6201†	Clevis Mount, 1 in. Hole, - 10,000 lbs. Capacity, 8-7/8 in. Length	-	Litho Box	1



63047†

**LAST CHANCE****RECEIVER MOUNT TOW HOOK**

Part Number	Description	Substitute Part Number	Packaging	Master Carton
63047†	Tow Hook, 8,000 lbs. Capacity, 7 in. Length	63044	Litho Box	4



63100-0025†

**LAST CHANCE****LOCK-TITE™ ANTI-RATTLE PIN**

Part Number	Description	Substitute Part Number	Packaging	Master Carton
63100-0025†	Lock-Tite Anti-Rattle Pin with Lock and Wrench, 5/8 in., (25 Pack)	63100	Litho Box	1



63202†

**LAST CHANCE****PINS AND CLIPS**

Part Number	Description	Substitute Part Number	Packaging	Master Carton
63202†	1/2 in. Integral Swivel Latch Pin and Clip, Stainless Steel	63204	Litho Box	12
5764†	Clevis Mount Pin, 1 in. Diameter, 8-7/8 in. Length	58388	Bulk	-
55515†	Pin Clip	55010	Boxed	50



63250†

**LAST CHANCE****COMBO LOCK SET**

Part Number	Description	Substitute Part Number	Packaging	Master Carton
63250†	Combo Lock Set, 5/8 in. for 3 in. Square Receivers, Sleeved to 3/4 in. (Keyed Alike)	63069	Litho Box	3



63233†

**LAST CHANCE****CABLE LOCK**

Part Number	Description	Substitute Part Number	Packaging	Master Carton
63233†	Cable Lock, 5/16 in. x 10 ft.	63255	Litho Box	12

† = Available while supplies last

**LIVE. WORK. PLAY.**

DISCONTINUED PRODUCTS



60037-024†



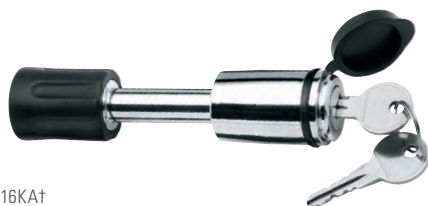
74547†



80980†



42250†



63216KA†

† = Available while supplies last

**LAST CHANCE**

RECEIVER TUBE COVERS

Part Number	Description	Substitute Part Number	Packaging	Master Carton
80037-012†	Class III Cover, Rubber 2 in. Square with Hidden Hitch Logo, (12 Pack)	7050	Display Card	12
05330-010†	in.Hitch Hider in. Rubber Receiver Tube Cover, 2 in. Square with Built-In 4-Way Flat Electrical Cover, (10 Pack)	5330	Display Card	15
5351†	Receiver Tube Cover, 1-1/4 in. Square, Chrome	2211	Display Card	-
5352†	Receiver Tube Cover, 2 in. Square, Chrome	7050	Display Card	24
07010-024†	Receiver Tube Cover, 2 in. Square with in.D in. Draw-Tite Logo, (24 Pack)	7010	Litho Box	24
58070†	Receiver Tube Cover, 1-1/4 in. Square, Black, Nylon, (24 Pack)	2211	Display Card	25
60037-024†	Class I/II, Rubber 1-1/4 in. Square with Hidden Hitch Logo, (24 Pack)	60037	Litho box	24
74547†	Receiver Tube Cover, 2 in. Square with REESE Logo	7050	Display Card	3
80037†	Class III Cover, Rubber 2 in. Square with Hidden Hitch Logo	7050	Display Card	-
74099†	Receiver Tube Cover, 2 in. Square with REESE Logo	7050	Display Card	2
80953†	Receiver Tube Cover, 2 in. Square, Plastic	7050	Display Card	-
5330†	in.Hitch Hider in. Rubber Receiver Tube Cover, 2 in. Square with Built-In 4-Way Flat Electrical Cover	5330	Clamshell	1

**LAST CHANCE**

BRAKE LIGHT COVER

Part Number	Description	Substitute Part Number	Packaging	Master Carton
80980†	Brake Light Cover, 2 in. Square	-	Display Card	-

**LAST CHANCE**

HITCH BALL COVERS

Part Number	Description	Substitute Part Number	Packaging	Master Carton
42250†	Hitch Ball Cover, 1-7/8 in. to 2 in.	-	Bulk	-
42250-012†	Hitch Ball Cover, 1-7/8 in. to 2 in., (12 Pack)	-	Bulk	12
42251†	Hitch Ball Cover, 2-5/16 in.	-	Bulk	-
42251-012†	Hitch Ball Cover, 2-5/16 in. (12 Pack)	-	Litho Box	12

**LAST CHANCE**

COUPLER/HITCH LOCKS

Part Number	Description	Substitute Part Number	Packaging	Master Carton
63216KA†	KEYED ALIKE 1/2 in. Receiver Lock for Class II Receiver Hitches	63069	Plastic Shroud	1
63218KA†	KEYED ALIKE Class II 1/2 in. Receiver Lock and 1/2 in. Span Style Coupler Lock	63069	Plastic Shroud	1
63219KA†	KEYED ALIKE Class III & IV 5/8 in. Receiver Lock and 1/2 in. Span Style Coupler Lock	63069	Plastic Shroud	3
63220KA†	KEYED ALIKE 1/2 in. Span Style Coupler Lock	63069	Plastic Shroud	3
63221KA†	KEYED ALIKE 2 in. Span Style Coupler Lock with 1/4 in. Pin	63069	Plastic Shroud	3
63222KA†	KEYED ALIKE 2-1/2 in. Span Style Coupler Lock with 1/4 in. Pin	63069	Plastic Shroud	3



# ELECTRICAL WIRING

The most trusted names in towing safety dating back to 1931, Tekonsha®, Wesbar® and Bargman® specialize in production, design and engineering of custom wire harnesses and cable assemblies. Our in-house overmolding and custom mold capabilities, design and engineering, and expertise in electronic cable assembly give us an unparalleled advantage in meeting our customer's needs. We specialize in assemblies with multiple connections, varying wire lengths and mixed technologies. We are known for design liaison expertise, quick response, building to AVL, customer service, and for consistently producing the best product, manufactured on time, to rigorous quality standards.

## T-ONE® CONNECTORS ..... C-5

### FACTORY TOW HARNESSSES

Tow Plugs.....	C-5
Wire Harnesses .....	C-5
7-Way U.S. Car Electrical Connectors .....	C-6
7-Way Vehicle Complete Kits .....	C-6

### MODULITE® POWER MODULES

ModuLite® ZCI™ .....	C-8
ModuLite® HD Plus .....	C-8
ModuLite® HD Protector .....	C-9
ModuLite® Ultra .....	C-10
ModuLite® Wiring Kits and Harnesses .....	C-10
Tail Light Converters.....	C-11

### BREAKAWAY SYSTEMS

Breakaway Systems.....	C-13 - C-15
Switches and Batteries.....	C-15 - C-16

## WIRE HARNESSSES

4-Way .....	C-17 - C-19
5-Way .....	C-20
6-Way .....	C-21
7-Way .....	C-23 - C-30
Agricultural Harnesses .....	C-30 - C-31

## ELECTRICAL ACCESSORIES

Vehicle and Trailer Adapters .....	C-32 - C-33
Mounting Brackets.....	C-34 - C-35
Junction Boxes .....	C-36
Battery Post Adapters and Isolators.....	C-37
Wiring and Hardware Components.....	C-38
Electrical and Circuit Testers .....	C-39

## DISCONTINUED PRODUCTS..... C-41

## TECHNICAL INFORMATION..... C-42 - C-50

# FEATURED

## MODULITE® ZCI™ - (ZERO CONTACT INTERFACE)

ZCI™ is the only product in the industry that has ZERO contact with the vehicle's electrical system. Using sensors that easily snap around wires for no direct contact, when electrical current is detected lights are engaged. Our ZCI™ sensors easily snap over wires to detect an electrical current and engage trailer lights -- crucial for high-end vehicles with complex wiring in which snipping, cutting, or splicing voids the vehicle's electrical system warranty. Have a leased vehicle? The ZCI™ is easy to remove without leaving any permanent damage. Take to your next vehicle with the same easy installation.

- Snap, Don't Snip™ – No cutting or splicing vehicle wiring!
- Isolates trailer light operation from the tow vehicle's electrical system
- See page C-8 for additional information



## T-ONE® CONNECTORS

With more than 470 products covering 8,700 vehicle applications, Tekonsha® is pleased to offer the widest coverage of T-One® Connectors in the industry.

- Benefits of our Tekonsha® T-Ones include:
  - "Factory" appearance
  - Quick and easy installation
  - Solid construction, built with our surface mount technology
  - Weatherproof connection when needed
  - No cutting, splicing or taping of vehicle wires
  - Includes ModuLite® or converter where needed
  - 16 gauge bonded wire with 4-Flat plug and integrated cap
- See page C-5 for additional information



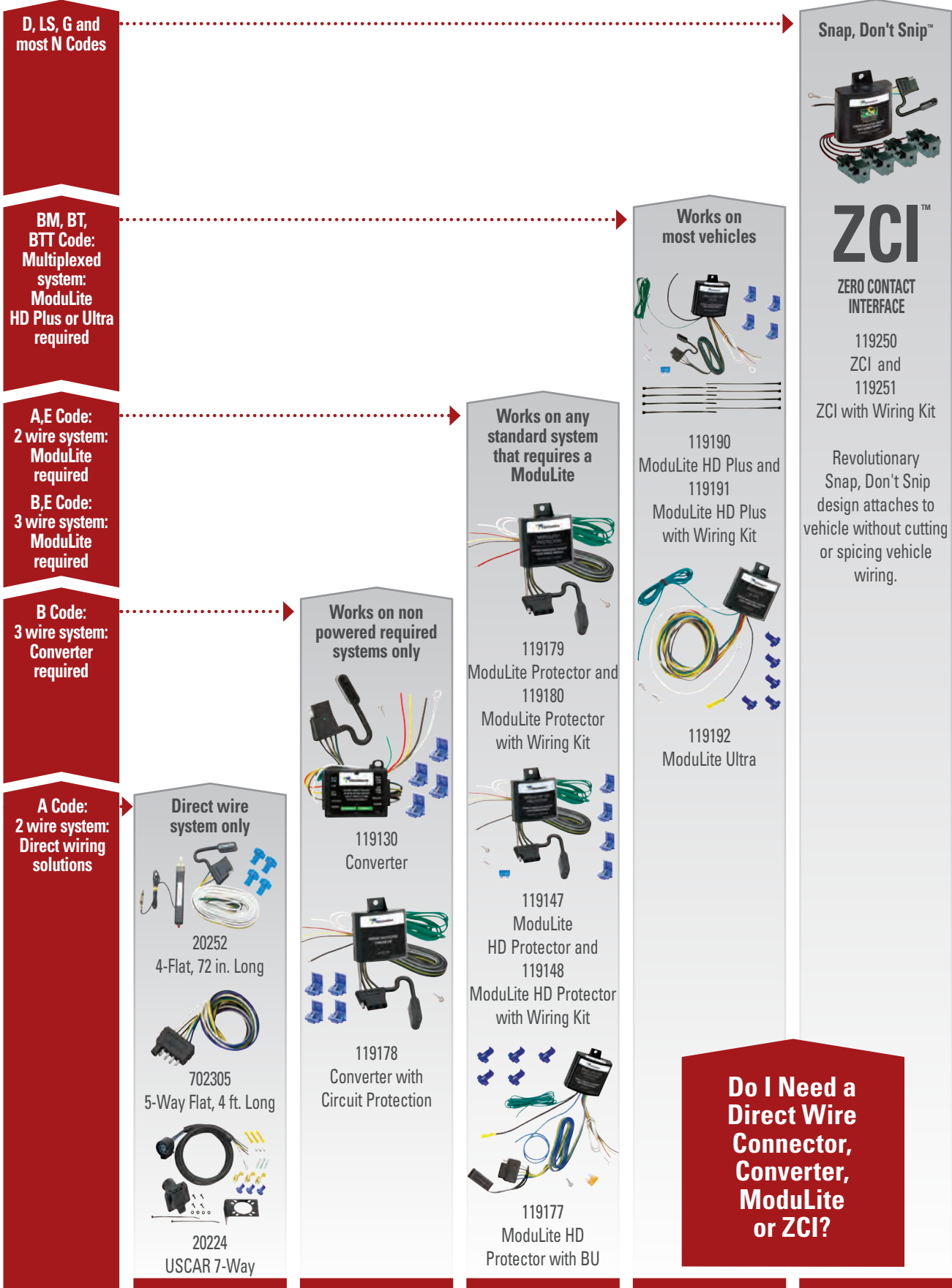
## 7-WAY VEHICLE COMPLETE KITS

No other product is designed to specifically deliver everything needed for a fully functional 7-Way, INCLUDING a brake control plug. No more piecing together products. These kits are custom made and will REDUCE the installation time of installing fully functional 7-Ways.

- The FIRST 7-Way kits that include:
  - Plug & Play connector for the brake control
  - Custom made body harnesses with protective tubing
  - Robust hardwire kit with longer and more cable ties
  - Overload and short circuit protection on Turn/Brake, Tail and Reverse
- See page C-6 for additional information including vehicle specific applications



SELECTING THE CORRECT ELECTRICAL PRODUCT



**Do I Need a Direct Wire Connector, Converter, ModuLite or ZCI?**

**A Code: 2-Wire system.**

Vehicles are listed as A when the vehicle's system matches the trailer's 2-Wire system. You will know it is a 2-Wire system if the vehicle's turn and brake functions are combined on one wire and the tail light function is on a separate wire. It is also important to make sure the vehicle's system is able to handle a normal load expected from one set of trailer lights. Directly wiring into the vehicle's system does not protect the vehicle from shorts or overloads. To ensure maximum vehicle protection and maximum trailer light brightness, a ModuLite® should be used.

**B Code: 3-Wire system. Converter required.**

Vehicles are listed as B when the vehicle's system is different than the trailer's 2-Wire system. This is when each function - turn, brake, and tail light - are on separate wires (3 wire system) and it has been determined that the vehicle's system is able to handle a normal load expected from one set of trailer lights. To ensure maximum vehicle protection and maximum trailer light brightness, a ModuLite® should be used.

**A,E Code: 2-Wire system. ModuLite® required.**

Vehicles are listed as A,E when the vehicle's system matches the trailer's 2-Wire system, meaning the vehicle's turn and brake functions are combined on one wire and the tail light function is on a separate wire. It has been determined that the vehicle's system is NOT able to handle a normal load expected from one set of trailer lights. When installing the ModuLite®, the brake input (red wire) will not be used.

**B,E Code: 3-Wire system. ModuLite® required.**

Vehicles are listed as B,E when the vehicle's system is different than the trailer's 2-Wire system, meaning the vehicle's functions are shared on one wire, the vehicle uses different voltages and frequencies to activate the rear combinations lamps, and the vehicle systems are NOT able to handle a normal load expected from one set of trailer lights. When installing the ModuLite® all input wires are used.

**BM Code: Multiplexed wiring system. ModuLite® HD Plus or Ultra required.**

Vehicles are listed as BM when the vehicle's system is different than the trailer's 2-Wire system, meaning the vehicle's functions are shared on one wire, the vehicle uses different voltages and frequencies to activate the rear combinations lamps, and the vehicle systems are NOT able to handle a normal load expected from one set of trailer lights. Either the ModuLite® HD Plus or Ultra is required.

At time of installation, determine the type of the vehicle's shared system. For vehicles that share a tail and brake circuit, the tail input (brown wire) is not used. For vehicles that share a tail, brake and turn circuit the tail input (brown wire) and brake input (red wire) are not used.

**BT Code: Brake/Tail multiplexed wiring system. ModuLite® HD Plus or Ultra required.**

Vehicles are listed as BT when the vehicle's system is different than the trailer's 2-Wire system. This means the vehicle's brake and tail functions are combined on one wire, the turn function is on a separate wire (known as multiplexed share brake and tail), and it has been determined that the vehicle's system is NOT able to handle a normal load expected from one set of trailer lights. When installing the ModuLite® HD Plus or Ultra, the tail input (brown wire) is not used.

**BTT Code: Brake/Tail/Turn multiplexed wiring system. ModuLite® HD Plus or Ultra required.**

Vehicles are listed as BTT when the vehicle's system is different than the trailer's 2-Wire system, meaning the vehicle's brake, tail, and turn functions are combined on one wire (known as multiplexed shared brake, tail, and turn), and it has been determined that the vehicle's system is NOT able to handle a normal load expected from one set of trailer lights. When installing the ModuLite® HD Plus or Ultra, the tail input (brown wire) and brake input (red wire) are not used.

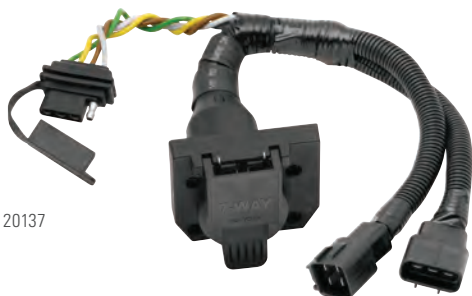
## T-ONE CONNECTORS

118384 -  
RAM 3500

## T-ONE® CONNECTORS

With more than 470 products covering 8,700 vehicle applications, Tekonsha® is pleased to offer the widest coverage of T-One® Connectors in the industry.

- Benefits of our Tekonsha® T-Ones include:
  - "Factory" appearance
  - Quick and easy installation
  - Solid construction, built with our surface mount technology
  - Weatherproof connection when needed
  - No cutting, splicing or taping of vehicle wires
  - Includes ModuLite® or converter where needed
  - 16 gauge bonded wire with 4-Flat plug and integrated cap
- See application guide on page A-15 for vehicle specific applications



20137

## MULTI-PLUG T-ONE® CONNECTORS

- Ability to tow trailers with different style trailer connectors
- Durable plastic shell
- Weather tight seal
- See application guide on page A-15 for vehicle specific applications

Part Number	Description	Packaging	Master Carton
20135	7-Way/4-Flat Multi-Plug T-One Connector	Clamshell	3
20137	7-Way/4-Flat Multi-Plug T-One Connector	Clamshell	3
74682	7-Way/4-Flat Multi-Plug T-One Connector	Clamshell	3

118242 -  
Ford F-150

## TOW PLUGS AND FACTORY TOW PACKAGE WIRING HARNESSES

- Vehicle to trailer harness, vehicle specific
- "Factory" Appearance
- Exact replacement for damaged factory wiring harnesses
- Quick and easy installation
- Available with 4-Flat or 7-Way connector
- See application guide on page A-15 for vehicle specific applications



1. Locate wiring position, see chart on page A-148



2. Unplug the tail light harness.



3. Route T-One® Connector to the tail light harness.



4. Plug the tail light into the T-One® connector.



5. Re-secure the tail light and you're ready to tow!



*NOTE: Some vehicles may require grounding and/or direct connection to the battery.*





85219

### 7-WAY U.S. CAR ELECTRICAL CONNECTORS

- Replacement for O.E.M. connectors
- Durable plastic shell
- Weather tight seal
- Use installation bracket 20212
- See application guide for vehicle specific applications

Part Number	Description	Packaging	Master Carton
85219	7-Way U.S. Car Connector, Car End	Clamshell	3
8551511	7-Way U.S. Car Connector, Car End	Clamshell	3



22551

### 7-WAY VEHICLE COMPLETE KITS

No other product is designed to specifically deliver everything needed for a fully functional 7-Way, INCLUDING a brake control plug.

No more piecing together products. These kits are custom made and will REDUCE the installation time of installing fully functional 7-Ways.

- The FIRST 7-Way kits that include:
  - Plug & Play connector for the brake control
  - Custom made body harnesses with protective tubing
  - Robust hardwire kit with longer and more cable ties
  - Overload and short circuit protection on Turn/Brake, Tail and Reverse
- See application guide for vehicle specific applications

Make/Model	Style	Years	Turn/Stop/Backup (AMP)	Tail Light (AMP)	Part Number	Packaging	Master Carton
Universal	Works with Multiplex Vehicles	-	4.2	12	22551	Boxed	3
<b>BUICK</b>							
Enclave	All Styles	08-12	4.2	7.5	22111	Bulk	4
<b>CHEVROLET</b>							
Traverse	All Styles	09-12	4.2	7.5	22111	Bulk	4
<b>CHRYSLER</b>							
Town & Country	All Styles	11-16	4.2	12	22121	Boxed	3
<b>DODGE</b>							
Durango	All Styles	14-19	4.2	7.5	22114	Boxed	3
Grand Caravan	All Styles	11-18	4.2	12	22121	Boxed	3
RAM C/V Tradesman	All Styles	12-15	4.2	12	22121	Boxed	3
RAM ProMaster	1500/2500/3500	14-19	4.2	7.5	22112	Boxed	3
<b>FORD</b>							
Transit	350	15-19	4.2	7.5	22116	Boxed	3
<b>HYUNDAI</b>							
Santa Fe	6/7 Passenger	13-20	4.2	12	22122	Boxed	3
Santa Fe	Sport with Factory Tow Package (5 Passenger)	13-20	4.2	12	22122	Boxed	3
Santa Fe XL	with Factory Tow Package	19-19	4.2	12	22122	Boxed	3
Veracruz	All Styles	07-12	4.2	12	22122	Boxed	3
<b>KIA</b>							
Sedona	All Styles	15-20	4.2	12	22122	Boxed	3
Sorento	with Factory Tow Package	07-09	4.2	12	22122	Boxed	3
Sorento	EX V6, with Factory Tow Package	11-13	4.2	12	22122	Boxed	3
Sorento	LX V6	11-13	4.2	12	22122	Boxed	3
Sorento	SX V6	11-13	4.2	12	22122	Boxed	3
Sorento	with V6 Engine	14-20	4.2	12	22122	Boxed	3
<b>MERCEDES-BENZ</b>							
Sprinter	2500/3500	14-18	4.2	12	22115	Boxed	3
<b>TOYOTA</b>							
Highlander	All Styles	14-19	4.2	12	22119	Boxed	3
Sienna	All Styles, Except SE	15-20	4.2	12	22118	Boxed	3
Tacoma	All Styles	16-19	4.2	12	22117	Boxed	3

## ModuLite® POWER MODULES - ULTIMATE VEHICLE PROTECTION

### TRAILER LIGHT POWER MODULES

- Virtually eliminates additional electrical draw on the vehicle's tail light circuits
- Ensures maximum trailer light brightness
- Powers the trailer's stop, turn, tail and running lights without overloading vehicle electrical systems
- Compatible with:
  - 2-Wire & 3-Wire systems
  - Multiplex
  - PWM
  - LED tail lights

### IDENTIFYING THE NEED FOR MODULITE®

- Today's vehicles have light gauge wire
- Computerized vehicle sensors monitor electrical current draw
- Without ModuLite® the sensors may give false readings
- Adding additional towing lights without ModuLite® may overload the system
- System problems and failure may occur without ModuLite®

### HOW IT WORKS

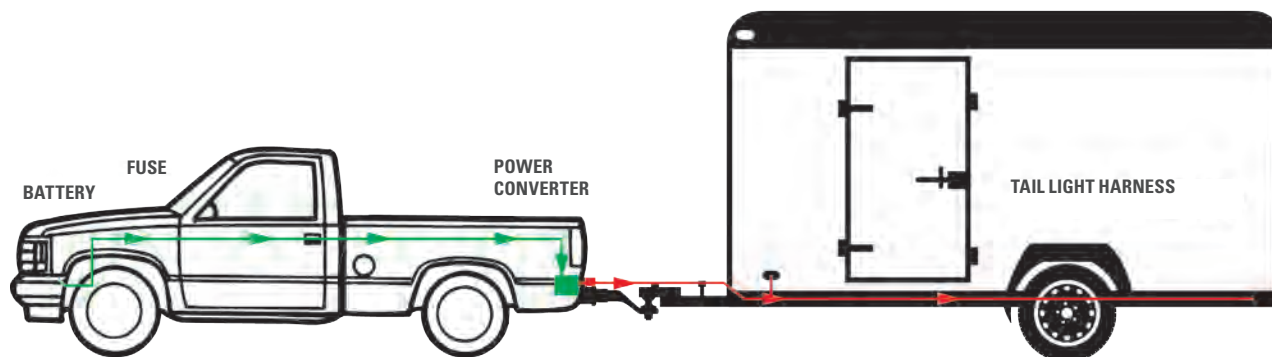
- ModuLite® connects directly to vehicle's battery and powers the towing lights
- ModuLite® provides from 2.1 to 16 amps of power per circuit to the trailer lights, depending on the unit

### INSTALLATION

ModuLite® power modules typically install in 30 to 45 minutes depending on the ease of routing the power supply wire from the battery to the rear of the vehicle.

**WITH A POWER MODULE** the additional power required to supply the trailer lights (represented by the red line) is supplied directly from the battery. Only a small amount of power is required from the fuse panel, turn signal switch, tail light harness and lamp out sensor, to signal when to illuminate the trailer lights.

**WITHOUT A POWER MODULE** all the additional power required to supply the trailer lights pass through the vehicle's electrical system.



### WHEN YOU NEED MODULITE®

- Trailer has more than one light assembly per side and is equipped with multiple clearance or running lights
- If the tow vehicle may tow a variety of different trailers
- Vehicle is equipped with lamp out sensors or other electronic devices that could be damaged by voltage fluctuations
- Owners manuals caution against adding additional loads to electrical circuits

### AMP REQUIREMENTS - INCANDESCENT

Bulb Type	Candle Power	Rated Amps	Watts
57 - 1895	2	0.27	3.780
2057	32	2.10	26.880
	2	0.48	6.720
MR16	-	-	35
921	21	1.40	17.920
922	15	0.98	12.544
1141	21	1.44	18.432
93	15	1.04	13.312
105	12	1.07	13.696
1156	32	2.10	26.880
1157	32	2.10	26.880
	3	0.59	8.260
168	3	0.35	4.900
194	2	0.27	3.780

### AMP REQUIREMENTS- LED

Stop / Turn	Tail Light / License	SM / CL
0.3	0.05	0.05



119250



119251

### MODULITE® ZCI™ - (ZERO CONTACT INTERFACE)

ZCI™ is the only product in the industry that has ZERO contact with the vehicle's electrical system. Using sensors that easily snap around wires for no direct contact, when electrical current is detected lights are engaged. Our ZCI™ sensors easily snap over wires to detect an electrical current and engage trailer lights -- crucial for high-end vehicles with complex wiring in which snipping, cutting, or splicing voids the vehicle's electrical system warranty. Have a leased vehicle? The ZCI™ is easy to remove without leaving any permanent damage. Take to your next vehicle with the same easy installation.

- Snap, Don't Snip™ – No cutting or splicing vehicle wiring!
- Isolates trailer light operation from the tow vehicle's electrical system
- Eliminates all interference and electrical draw on vehicle's lighting system
- Works with PWM, Multiplexed systems with 2-Wire or 3-Wire hookup and Low side switched vehicles
- Works with all known vehicle wiring systems including D, LS, G and most N codes **Define Codes??**
- Rated for 4.2 amps for turn/stop and 7.5 amps for tail light trailer circuits
- Robust design allows for interior or exterior mounting
- Don't take the chance of damaging your vehicle. Snipping, cutting, or splicing your wires can lead to:
  - Shorts, damaged wiring and corrosion
  - Blown fuses
  - Warning lights and diagnostic codes
  - Costly and time-consuming repairs
  - Expensive dealership code resets

Part Number	Description	Packaging	Master Carton
119250	ModuLite ZCI (Zero Contact Interface)	Clamshell	3
119251	ModuLite ZCI (Zero Contact Interface) with Installation Kit	Litho Box	3



119190



119191

### MODULITE® HD PLUS

- Rated for up to 5.0 amps for turns/stops circuits and 7.5 amps for the tail light circuit
- Works on all vehicle types including standard, PWM and/or Multiplex systems
- Integrated, re-settable short circuit and overload protection
- Safeguards itself and the tow vehicle from shorts and installation wiring mishaps
- Draws power directly from the vehicle battery
- Uses less than 5mA of the vehicle circuit for sensing to turn the trailer functions on and off
- Works with either LED or incandescent bulbs (vehicle and trailer)
- The trailer brakes will override the hazard lamps when the brake is activated
- Will not work with vehicles with low-side switch
- All solid-state components in a potted encapsulation

Part Number	Description	Packaging	Master Carton
119190	ModuLite HD Plus	Clamshell	6
119190-012	ModuLite HD Plus, (12 Pack)	Boxed	1
119190-050	ModuLite HD Plus, (50 Pack)	Boxed	1
119191	ModuLite HD Plus with Wiring Kit	Clamshell	6



119147



119148

## MODULITE® HD PROTECTOR

- Rated for up to 5.0 amps for turns/stops circuits and 7.5 amps for the tail light circuit
- Has integrated, re-settable short circuit and overload protection
- Safeguards itself and the tow vehicle from shorts and installation wiring mishaps
- The tail light circuit has been upgraded to work with vehicles that use a pulse width modulation (PWM), this ensures full brightness of the trailer lights during operation
- Draws power directly from the vehicle battery
- Uses less than 5mA of the vehicle circuit for sensing to turn the trailer functions on and off
- Works with either LED or incandescent bulbs (vehicle & trailer)
- The trailer brakes will override the hazard lamps when the brake is activated
- Will not work with vehicles with low-side switch or multiplex systems
- Can be used on a 2-Wire or 3-Wire system
- All solid-state components in a potted encapsulation
- Includes integrated protective cover

Part Number	Description	Packaging	Master Carton
119147	ModuLite HD Protector, (Replaces 119179)	Clamshell	12
119147-012	ModuLite HD Protector, (Replaces 119179-012), (12 Pack)	Boxed	1
119147-050	ModuLite HD Protector, (Replaces 119179-050), (50 pack)	Boxed	1
119148	ModuLite HD Protector with Wiring Kit, (Replaces 119180)	Clamshell	6



119177

## MODULITE® HD PROTECTOR WITH BACKUP

- Rated for up to 4.2 amps for turns/stops circuits and 7.5 amps for the tail light circuit and 4.2 amps for backup circuit
- Integrated 5-Flat electrical wiring connector. Fifth circuit added for surge brake lockout or backup light circuit on trailers
- Has integrated, re-settable short circuit and overload protection
- Safeguards itself and the tow vehicle from sorts and installation wiring mishaps
- The tail light circuit has been upgraded to work with vehicles that use a pulse width modulation (PWM), this ensures full brightness of the trailer lights during operation
- Draws power directly from the vehicle battery
- Uses less than 5mA of the vehicle circuit for sensing to turn the trailer functions on and off
- Will work with either LED or Incandescent bulbs (vehicle and trailer)
- The trailer brakes will override the hazard lamps when the brake is activated
- Will not work with vehicles with low-side switch or multiplex systems
- Can be used on a 2-Wire or 3-Wire system
- All solid-state components in potted encapsulation
- Includes protective cover

Part Number	Description	Packaging	Master Carton
119177	ModuLite HD Protector with Backup and 5-Flat Connector for Backup Light or Surge Brake Lockout Circuit	Clamshell	12

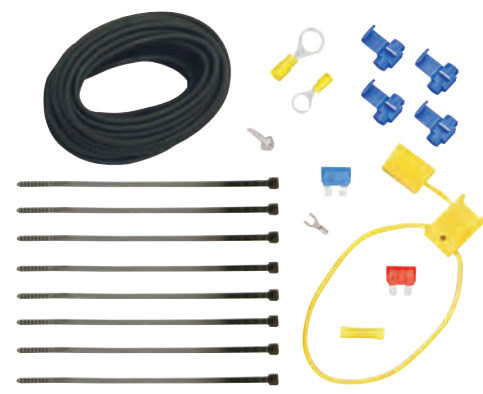


119192

### MODULITE® ULTRA

- Rated for up to 5.0 amps for turns/stops circuits and 16.0 amps for the tail light circuit
- Works on all vehicle types including standard, PWM and/or multiplex systems
- Has integrated, re-settable short circuit and overload protection
- Safeguards itself and the tow vehicle from shorts and installation wiring mishaps
- Draws power directly from the vehicle battery
- Uses less than 5mA of the vehicle circuit for sensing to turn the trailer functions on and off
- Works with either LED or incandescent bulbs (vehicle and trailer)
- The trailer brakes will override the hazard lamps when the brake is activated
- Will not work with vehicles with low-side switch
- All solid-state components in a potted encapsulation

Part Number	Description	Packaging	Master Carton
119192	ModuLite Ultra	Clamshell	12



118151

### MODULITE® WIRING KITS

- Upgraded wiring kit for installing all ModuLites
- Includes 20 ft. wire pre-wrapped in conventional tubing

Part Number	Description	Packaging	Master Carton
118150	Upgraded Wiring Kit for Installing all ModuLites, Includes: (1) 20 ft. Wire Pre-Wrapped in Conventional Tubing, (20) 8 in. Wire Ties, (1) 10 Amp Fuse, (1) 15 Amp Fuse and (1) Weather Sealed Fuse Holder	Clamshell	12
118151	Upgraded Wiring Kit for Installing all ModuLites, Includes: (1) 20 ft. Wire Pre-Wrapped in Conventional Tubing, (8) - 8 in. Wire Ties, (1) 10 Amp Fuse and (1) Weather Sealed Fuse Holder	Clamshell	6

### MULTI-FIT WIRING HARNESSSES

- Easy do-it-yourself tow vehicle wiring kits for applications without T-One® Connectors
- 16 gauge wire with 4-Flat dust cover



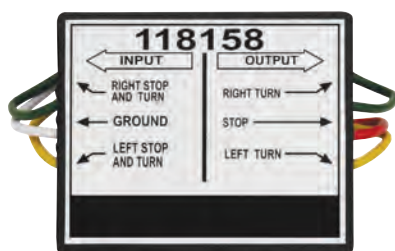
20252

Part Number	Description	Packaging	Master Carton
20250	Vehicles with Common Turn and Stop Lights and Factory O.E.M. Wiring Harness, 12 in. Length	Clamshell	12
20251	Vehicles with Separate Turn and Stop Lights and No Factory O.E.M. Wiring Harness. Converter Specification of 2.1 Amps per Stop/Turn Circuit and 4.2 Amps per Tail Circuit, Includes Circuit Tester and 60 in. Leads	Clamshell	12
20252	Vehicles with Common Turn and Stop Lights and No Factory O.E.M. Wiring Harness, Includes Circuit Tester, 72 in. Length	Clamshell	12

## TAIL LIGHT CONVERTERS



119178



118158



119130



118821

## TAIL LIGHT CONVERTER WITH CIRCUIT PROTECTION

- Rated for up to 2.1 amps for turns/stops circuits and 5.6 amps for tail light circuit
- Adapts import and domestic vehicles with separate turn/stop lights (3-Wire system) to standard trailer tail light wiring (2-Wire system)
- Has integrated, re-settable short circuit and overload protection
- Safeguards itself and the tow vehicle from shorts and installation wiring mishaps
- Will work with either LED or incandescent bulbs (vehicle and trailer)
- All solid-state components in potted encapsulation
- Will not work with vehicles with low-side switch or multiplex systems
- Includes integrated protective cover

Part Number	Description	Packaging	Master Carton
119178	Tail Light Converter with 60 in. 4-Flat Car End Connector	Clamshell	12
119178-012	Tail Light Converter with 60 in. 4-Flat Car End Connector, (12 Pack)	Boxed	1
119178-050	Tail Light Converter with 60 in. 4-Flat Car End Connector, (50 Pack)	Boxed	1

## 2-WAY to 3-WAY TAIL LIGHT CONVERTER

- Allows RV's and other vehicles with 2-Wire systems to tow vehicles and trailers with 3-Wire systems

Part Number	Description	Packaging	Master Carton
118158	Connects a Tow Vehicle with a 2-Wire System to a Towed Vehicle with a 3-Wire System	Clamshell	3

## TAIL LIGHT CONVERTER

- Rated for up to 2.1 amps for turns/stops circuits and 7.5 amps for tail light circuit
- Adapts vehicles with separate turn and stop lights (3-Wire system) to standard trailer tail light wiring (2-Wire system)
- Works with either LED or Incandescent bulbs (vehicle and trailer)
- Designed not to send feedback through the vehicle circuits
- All solid-state components
- Will not work with vehicles with low-side switch or multiplex systems
- Includes integrated protective cover

Part Number	Description	Packaging	Master Carton
119130	Tail Light Converter with 60 in. 4-Flat Car End Connector	Clamshell	12
119130-012	Tail Light Converter with 60 in. 4-Flat Car End Connector, (12 Pack)	Boxed	1
119130-050	Tail Light Converter with 60 in. 4-Flat Car End Connector, (50 Pack)	Boxed	1

## TAIL LIGHT ISOLATING DIODE SYSTEM

- Allows motorhome to power lights on towed vehicle without power feedback

Part Number	Description	Packaging	Master Carton
118821	Tail Light Isolating System with 4-Flat	Clamshell	3



50-85-325



5085115  
(Bracket Sold Separately)

**PUSH TO TEST BREAKAWAY SYSTEM**

- Push to Test: LED's indicate fully charged, charging or recharge
- Multi-Stage Integrated Charger provides a fast recharge up to 12.8 volts. Once battery is fully charged, the automatic float mode is designed to provide a continuous charge without overcharging
- Activates trailer brakes upon separation of trailer and tow vehicle
- For use on 1, 2 or 3 axle trailers equipped with electric brakes
- Weather/corrosion resistant, heavy-duty polymer case to protect battery and charger
- Tekonsha® Breakaway Switch with 48 in. lead wires or 7.5 in. lead wires
- 5 Amp-hr battery, battery box dimensions: 4.25 in. x 6.25 in. x 4.125 in.
- 2 or 3 mounting options
- Make sure battery is fully charged prior to towing

Part Number	Description	Packaging	Master Carton
50-85-313	Push to Test Breakaway System for 1 to 3 Axle Trailers with Electric Brakes, 2 Mounting Options, Includes Battery Box, 5 Amp Battery with Push to Test LED Test Meter, Integrated Multi-Stage Charger and 7.5 in. Breakaway Switch	Bulk	10
50-85-325	Push to Test Breakaway System for 1 to 3 Axle Trailers with Electric Brakes, 3 Mounting Options, Includes Battery Box, 5 Amp Battery with Push to Test LED Test Meter, Integrated Multi-Stage Charger and 48 in. Tekonsha Breakaway Switch	Bulk	10
<b>Accessory</b>			
5085115	Post Mount Bracket	Bulk	48

*NOTE: 3 and 4 axle trailers require minimum 5 Amp-hr battery. For optimal performance, replacement of breakaway electrical components is recommended every 3 to 5 years.*

**PUSH TO TEST BREAKAWAY SYSTEM**

- Push to Test: LED's indicate fully charged or recharge
- Built in battery charger charges battery when plugged into the tow vehicle
- Breakaway Switch with 7.5 in. or 48 in. lead wires
- 5 Amp-hr battery
- Activates trailer brakes upon separation of trailer and tow vehicle
- For use on 1, 2, or 3 axle trailers equipped with electric brakes
- 2 or 3 mounting options
- Make sure battery is fully charged prior to towing



50-85-320

Part Number	Description	Packaging	Master Carton
50-85-315	Push to Test Breakaway System for 1 to 3 Axle Trailers with Electric Brakes, 2 Mounting Options, Includes Battery Box, 5 Amp Battery with Push to Test LED Test Meter and 7.5 in. Breakaway Switch and Built-In Charger	Bulk	10
50-85-320	Push to Test Breakaway System with ABCD charger for 1 to 3 Axle Trailers with Electric Brakes, 3 Mounting Options, Includes Battery Box, 5 Amp Battery with Push to Test LED Test Meter, and 48 in. Breakaway Switch and Built-In Charger	Bulk	10
<b>Accessory</b>			
5085115	Post Mount Bracket	Bulk	48

*NOTE: 3 and 4 axle trailers require minimum 5 Amp-hr battery. For optimal performance, replacement of breakaway electrical components is recommended every 3 to 5 years.*

## BREAKAWAY SYSTEMS

- For use on 1, 2, 3 and 4 axle trailers equipped with electric brakes
- These complete systems incorporate the highest quality components in trailer breakaway systems
- Meet or exceed Department of Transportation (DOT) specifications regarding trailer breakaway and holding requirements
- If a breakaway occurs between your tow vehicle and your trailer, the breakaway systems will automatically apply consistent braking power to your trailer brakes
- Quick and easy to install, the systems comes with a weather/ corrosion resistant, heavy-duty polymer case to protect the battery and charger

1026



20010



1028



20015



Part Number	Description	Packaging	Master Carton
<b>For 1 and 2 Axle Trailers with Electric Brakes</b>			
1026	Includes 2018 Polymer Battery Case with A-Frame or Post Mounting Bracket, 2023 Rechargeable Sealed 12v 5 Amp-hr Lead Acid Battery and Terminals and 2005-P Breakaway Switch, Up to 3 Axles	Boxed	4
<b>For 1, 2, 3 and 4 Axle Trailers with Electric Brakes</b>			
2026	Includes 2018 Polymer Battery Case with A-Frame or Post Mounting Bracket, 2023 Rechargeable Sealed 12v 5 Amp-hr Lead Acid Battery and Terminals and 2010-P Breakaway Switch	Boxed	4
20005	Includes 2051 Lockable All Polymer Battery Case with Flat Surface Mounting, 2023 Rechargeable Sealed 12v 5 Amp-hr Lead Acid Battery and Terminals and 2010-P Breakaway Switch	Boxed	4
20010	Includes 20000 Lockable Polymer Battery Case with Weldable Flat Surface Mounting, 2023 Rechargeable Sealed 12v 5 Amp-hr Lead Acid Battery and Terminals and 2010-P Breakaway Switch	Boxed	4
<b>(With Charger)</b>			
<b>For 1 and 2 Axle Trailers with Electric Brakes</b>			
1028	Includes 2018 Polymer Battery Case with A-Frame or Post Mounting Bracket, 2023 Rechargeable Sealed 12v 5 Amp-hr Lead Acid Battery and Terminals, 2005-P Breakaway Switch and 1024 DC-tN-DC Accelerated Battery Charging Device (ABCD), Up to 3 Axles	Boxed	4
<b>(With Multi-Stage Integrated Charger)</b>			
<b>For 1, 2, 3 and 4 Axle Trailers with Electric Brakes</b>			
2028	Includes 2018 Polymer Battery Case with A-Frame or Post Mounting Bracket, 2023 Rechargeable Sealed 12v 5 Amp-hr Lead Acid Battery and Terminals, 2010-P Breakaway Switch and 2024-07 DC-tN-DC Heavy Duty Quick/Maintenance (Multi Stage) Battery Charger	Boxed	4
20015	Includes 2051 Lockable All Polymer Battery Case with Flat Surface Mounting, 2023 Rechargeable Sealed 12v 5 Amp-hr Lead Acid Battery and Terminals, 2010-P Breakaway Switch and 2024-07 DC-tN-DC Heavy Duty Quick/Maintenance (Multi Stage) Battery Charger	Boxed	4
20020	Includes 20000 Lockable Polymer Battery Case with Weldable Flat Surface Mounting, 2023 Rechargeable Sealed 12v 5 Amp-hr Lead Acid Battery and Terminals, 2010-P Breakaway Switch and 2024-07 DC-tN-DC Heavy Duty Quick/Maintenance (Multi Stage) Battery Charger	Boxed	4

NOTE: 3 and 4 axle trailers require minimum 5 Amp-hr battery. For optimal performance, replacement of breakaway electrical components is recommended every 3 to 5 years.





50-85-302

## BREAKAWAY SYSTEM

- Activates trailer brakes upon separation of trailer and tow vehicle
- For use on 1, 2 or 3 axle trailers equipped with electric brakes
- Weather/corrosion resistant, heavy-duty polymer case to protect battery and charger
- Breakaway Switch with 7.5 in. lead wires
- 5 Amp/hr Battery, battery box dimensions: 5 in. x 4.125 in. x 4 in.
- Flat surface mounting, optional post mount bracket available
- Make sure battery is fully charged prior to towing

Part Number	Description	Packaging	Master Carton
50-85-302	Breakaway System	Bulk	10
50-85-312	Breakaway System with Charger	Bulk	10
Accessory Part			
5085115	Post Mount Bracket	Bulk	48



50-85-007

## BREAKAWAY SWITCHES

- Completely sealed breakaway switches to automatically set trailer brakes in case of accidental trailer breakaway
- Required by law in some states
- Emergency use only, not to be used to lock brakes when parked or stored

Part Number	Description	Packaging	Master Carton
50-85-007	Breakaway Switch with 48 in. Wires with Cable and Nylon Pin Assembly	Bulk	50
54-85-007	Breakaway Switch with 48 in. Wires with Cable and Nylon Pin Assembly	Poly Bag	25
2010-B125	Breakaway Switch with 48 in. Wires with Cable and Nylon Pin Assembly	Clamshell	25
2010-P	Breakaway Switch with 48 in. Wires with Cable and Nylon Pin Assembly	Clamshell	20
2005-B120	Breakaway Switch with 48 in. Wires with Cable and Nylon Pin Assembly, for use with 1-3 Axle Trailers	Bulk	60
2005-P	Breakaway Switch with 48 in. Wires with Cable and Nylon Pin Assembly, for use with 1-3 Axle Trailers	Bulk	20
2009-B60	Breakaway Switch with 48 in. Wires with Cable and Brass Pin Assembly	Bulk	60
2009-P	Breakaway Switch with 48 in. Wires with Cable and Brass Pin Assembly	Bulk	20
Replacement Parts			
50-85-002	48 in. Replacement Cable and Nylon Pin Assembly, for 50-85-007 Switch	Bulk	100
54-85-002	48 in. Replacement Cable and Nylon Pin Assembly, for 50-85-007 Switch	Poly Bag	25
2010-A	48 in. Replacement Cable and Nylon Pin Assembly, for 2010 Switch	Clamshell	250
2010-A-P	48 in. Replacement Cable and Nylon Pin Assembly, for 2010 Switch	Clamshell	10
2005-A	48 in. Replacement Cable and Nylon Pin Assembly, for 2005 Switch	Bulk	200
2009-A	48 in. Replacement Cable and Brass Pin Assembly, for 2009 Switch	Bulk	250
2009-A-P	48 in. Replacement Cable and Brass Pin Assembly, for 2009 Switch	Bulk	10



2010-B125



2005-B120



2009-B60

NOTE: Most states require breakaway switch with separate power supply when towing a trailer

2023



### SEALED LEAD ACID BATTERY

- 12v, sealed lead acid battery for use with breakaway systems on single, tandem and tri-axle trailers equipped with electric brakes
- Battery requires periodic recharging to maintain optimum performance

Part Number	Description	Packaging	Master Carton
2023	5 Amp-Hr Sealed Battery	Bulk	9
2023-X	5 Amp-Hr Sealed Battery	Bulk	5

2018



### BATTERY CASES

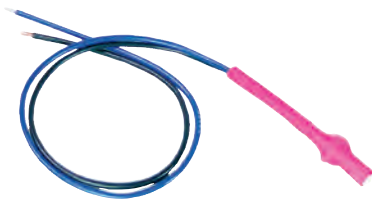
- Rust-proof heavy duty polymer cases protect battery and charger from elements and corrosion

Part Number	Description	Packaging	Master Carton
2018	Battery Case, One-Bolt Installation on Jackpost or A-Frame, Includes Mounting Bracket	Bulk	20
2051	Battery Case, Four-Bolt Installation on Flat Surface, Lockable	Bulk	20
20000	Battery Case, Two-Bolt or Weldable Installation on Flat Surface, Lockable	Boxed	20

20000



50-85-104



### BATTERY CHARGERS

- For all 12v battery systems with a 4 Amp-hr minimum output
- Temperature compensated design provides continuous recharge with automatic float mode feature to prevent overcharging
- Ideal for seasonal storage and maintenance of recreational vehicles, motorcycles, snowmobiles, lawn tractors, and more
- Patent pending

Part Number	Description	Packaging	Master Carton
50-85-104	DC-tN-DC Accelerated Battery Charging Device (ABCD), Returns Trailer Breakaway System Batteries to Max Potential	Bulk	10
1024	DC-tN-DC Accelerated Battery Charging Device (ABCD), Returns Trailer Breakaway System Batteries to Max Potential	Clamshell	10
2024-07	DC-tN-DC Heavy Duty Multi Stage/Maintenance Charger, Designed to Fit Securely in Breakaway Battery Cases	Bulk	10
2024-07-S	DC-tN-DC Heavy Duty Multi Stage/Maintenance Charger, Designed to Fit Securely in Breakaway Battery Cases	Bulk	20
2025-09	AC-tN-DC Multi Stage Maintenance Charger, Automatic Float Mode Prevents Overcharging	Clamshell	20

2024-07

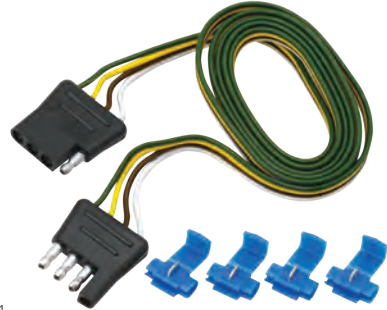


2025-09

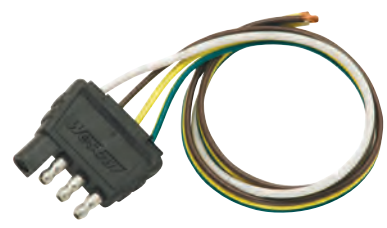




002301



1804401



707285



002230



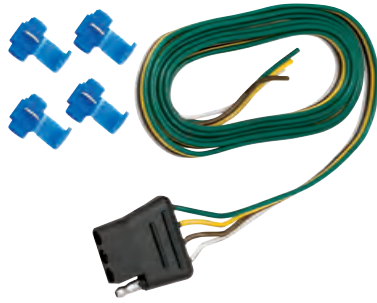
707254

## WESBAR® 4-FLAT WIRE HARNESSSES

- Color coded harnesses in various lengths available with car and trailer end connectors
- Trailer ends can be purchased in straight lengths, loops, wunside or wishbone harness styles

Part Number	Description	Packaging	Master Carton
<b>Car End Harnesses</b>			
002301	4-Flat 48 in. Car End, 18 in. Ground	Bulk	1
707275	4-Flat 48 in. Car End, 18 in. Ground	Clamshell	12
101469	4-Flat 60 in. Car End, 6 ft. Ground	Boxed	200
707272	4-Flat 60 in. Car End, 6 ft. Ground	Clamshell	12
<b>Trailer End Harness</b>			
18004001	4-Flat 12 in. Trailer End	Boxed	200
<b>Car End and Trailer End Harnesses - Loop Style</b>			
18185001	4-Flat 18 in. Loop with Wire Taps	Boxed	200
18044001	4-Flat 48 in. Loop with Wire Taps	Boxed	200
18045001	4-Flat 60 in. Loop with Wire Taps	Boxed	200
<b>Trailer End Harnesses - Wunside Style</b>			
002401	4-Flat 18 in. Trailer End, Wunside Harness, 18 in. Ground	Bulk	300
707285	4-Flat 18 in. Trailer End, Wunside Harness, 18 in. Ground	Clamshell	12
002120	4-Flat 20 ft. Trailer End, Wunside Harness, 3 ft. Ground	Bulk	1
002125	4-Flat 25 ft. Trailer End, Wunside Harness, 3 ft. Ground	Bulk	1
002130	4-Flat 30 ft. Trailer End, Wunside Harness, 3 ft. Ground	Bulk	1
<b>Trailer End Harnesses - Wishbone Style</b>			
002402	4-Flat 18 in. Trailer End, Wishbone Harness, 18 in. Ground	Bulk	500
707286	4-Flat 18 in. Trailer End, Wishbone Harness, 18 in. Ground	Clamshell	12
002215	4-Flat 15 ft. Trailer End, Wishbone Harness, 3 ft. Ground	Bulk	1
002220	4-Flat 20 ft. Trailer End, Wishbone Harness, 3 ft. Ground	Bulk	1
108820	4-Flat 20 ft. Trailer End, Wishbone Harness, 30 in. Ground	Boxed	50
108825	4-Flat 25 ft. Trailer End, Wishbone Harness, 3 ft. Ground	Boxed	50
707261	4-Flat 25 ft. Trailer End, Wishbone Harness, 3 ft. Ground	Clamshell	6
002230	4-Flat 30 ft. Trailer End, Wishbone Harness, 3 ft. Ground	Bulk	1
108830	4-Flat 30 ft. Trailer End, Wishbone Harness, 3 ft. Ground	Boxed	25
002235	4-Flat 35 ft. Trailer End, Wishbone Harness, 3 ft. Ground	Bulk	1
108835	4-Flat 35 ft. Trailer End, Wishbone Harness, 30 in. Ground	Boxed	25
002240	4-Flat 40 ft. Trailer End, Wishbone Harness, 3 ft. Ground	Bulk	1
108840	4-Flat 40 ft. Trailer End, Wishbone Harness, 3 ft. Ground	Boxed	25
<b>Trailer End Harnesses with Car Ends - Wishbone Style</b>			
707270	4-Flat 18 in. Trailer End, Wishbone Harness, 18 in. Ground with 48 in. Flat Car End, 18 in. Ground	Clamshell	12
707103	4-Flat 25 ft. Trailer End, Wishbone Harness Kit with Hardware, 36 in. Ground with 48 in. Flat Car End, 18 in. Ground	Clamshell	6
707104	4-Flat 30 ft. Trailer End, Wishbone Harness Kit with Hardware, 36 in. Ground with 48 in. Flat Car End, 18 in. Ground	Clamshell	6
<b>Double Ended Harness - Extension Style</b>			
707254	Double Ended 4-Flat 24 in. Cord, 4-Flat Car and Trailer Ends	Clamshell	12

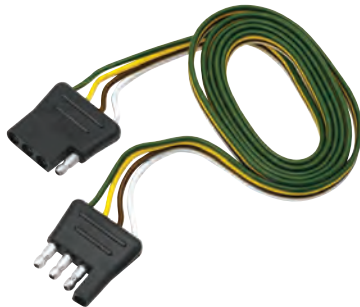
NOTE: Various length and combinations available. Contact your Horizon Global Representative for details. All Tekonsha and Wesbar 4-Way flat wire harnesses conform to SAE J1128 interface specifications



118001



118009



118044



118636

### 4-FLAT WIRE HARNESSSES

- All 4-Flat wiring conforms to SAE Spec. J1128 assuring you of consistent quality and reliability
- 4-Flat harnesses come in a variety of lengths and packages to fit your every need
- 18 gauge bonded wires
- Tail light, stop and turn functions printed on wire
- Ground wire runs full length of assembly

Part Number	Description	Packaging	Master Carton
<b>Car End Harnesses</b>			
118001	4-Flat 48 in. Car End, Includes (4) Wire Taps	Clamshell	12
118001-024	4-Flat 48 in. Car End, (24 Pack)	Boxed	1
118001-200	4-Flat 48 in. Car End, (200 Pack)	Boxed	1
118002	4-Flat 60 in. Car End, Includes (4) Wire Taps	Clamshell	12
118002-024	4-Flat 60 in. Car End, (24 Pack)	Boxed	10
118002-200	4-Flat 60 in. Car End, (200 Pack)	Boxed	1
118172-024	4-Flat 60 in. Car End, (24 Pack)	Boxed	1
118172-150	4-Flat 60 in. Car End, (150 Pack)	Boxed	1
<b>Trailer End Harness</b>			
118004	4-Flat 12 in. Trailer End	Clamshell	12
118004-012	4-Flat 12 in. Trailer End, (12 Pack)	Boxed	1
118009	4-Flat 21 ft. Trailer End	Clamshell	6
118033	4-Flat 48 in. Trailer End	Clamshell	12
118033-012	4-Flat 48 in. Trailer End, (12 Pack)	Boxed	25
118192	4-Flat 25 ft. Trailer End with Dual Tail Light (Brown) Wires	Clamshell	6
<b>Car End and Trailer End Harnesses</b>			
118044	4-Flat 48 in. Car and Trailer End Loop, Includes (4) Wire Taps	Clamshell	12
118044-010	4-Flat 48 in. Car and Trailer End Loop, (10 Pack)	Boxed	20
118044-175	4-Flat 48 in. Car and Trailer End Loop, (175 Pack)	Boxed	1
118045	4-Flat 60 in. Car and Trailer End Loop, Includes (4) Wire Taps	Clamshell	12
118045-010	4-Flat 60 in. Car and Trailer End Loop, (10 Pack)	Boxed	20
118045-175	4-Flat 60 in. Car and Trailer End Loop, (175 Pack)	Boxed	1
118636	4-Flat 24 ft. Car and Trailer End Loop	Clamshell	12
118185	4-Flat 18 in. Car and Trailer End Loop, Includes (4) Wire Taps	Clamshell	3
118185-025	4-Flat 18 in. Car and Trailer End Loop, (25 Pack)	Poly Bag	1

NOTE: Various length and combinations available. Contact your Horizon Global Representative for details. All Tekonsha and Wesbar 4-Way flat wire harnesses conform to SAE J1128 interface specifications



118077

### 4-WAY ROUND ELECTRICAL CONNECTORS

- Attractive chrome housing

Part Number	Description	Packaging	Master Carton
118077	4-Way Round Chrome Car End and Trailer End Plug Connectors	Clamshell	12
118101	4-Way Round Chrome Car End Connector	Clamshell	12
118102	4-Way Round Chrome Trailer End Connector	Clamshell	12

## 4-WAY HARNESSES



118043

## 4-FLAT CAR END CONNECTORS

- 7.5 amps max per circuit

Part Number	Description	Packaging	Master Carton
118043	30 in. Car End Knockout Socket Connector, 16 Gauge Wire (Un-Bonded), Requires 1-1/4 in. Hole	Clamshell	12
118603	60 in. Car End Knockout Socket Connector, 16 Gauge Wire (Un-Bonded), Requires 1-1/4 in. Hole	Clamshell	12

## 4-FLAT / 5-FLAT WIRE HARNESSES WITH COILED CABLE

- Coiled 14 gauge cable available with either 4-Way or 5-Flat trailer end connectors
- Cable extended length to 11 ft.



54000-026

Part Number	Description	Packaging	Master Carton
54000-026	4-Way Flat Trailer End with 11 ft. Coiled Cable	Boxed	25
54000-027	5-Way Flat Trailer End with 11 ft. Coiled Cable	Boxed	25

## 4-FLAT CONNECTORS WITH JACKETED CABLE

- Color coded sealed cable available with trailer end connector, jacketed cable and 4 ft. stripped wire leads
- No exposed wires and sealed for environmental protection



787264

Part Number	Description	Packaging	Master Carton
787264	4-Flat 48 in. Trailer End with Jacketed Cable	Boxed	50
787268	4-Flat 8 ft. Trailer End with Jacketed Cable	Boxed	25
787270	4-Flat 10 ft. Trailer End with Jacketed Cable	Boxed	20
787274	4-Flat 14 ft. Trailer End with Jacketed Cable	Boxed	20
787159	Double Ended 4-Way Flat 88 in. Cord, (4-Way Flat Trailer and 4-Square Car Ends)	Clamshell	10

## 2-FLAT WIRE HARNESS

- Color coded wires
- Molded construction
- Tin plated terminals



85208

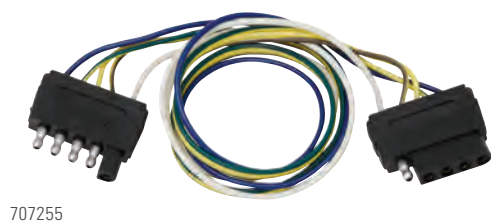
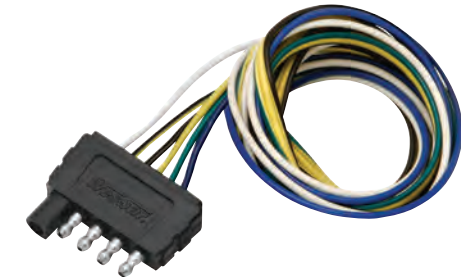
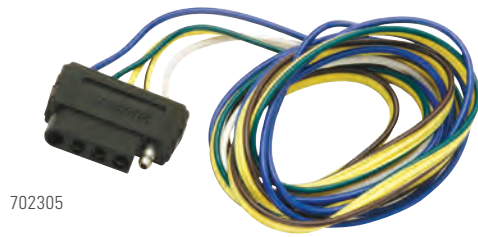
Part Number	Description	Packaging	Master Carton
85208	2-Flat Electrical Connector Loop, 12 in.	Clamshell	6

## 4-FLAT DUST COVERS



104393

Part Number	Description	Packaging	Master Carton
104393	4-Flat Dust Cover	Boxed	100
85218	4-Way Flat Dust Cover	Clamshell	6
20112-024	4-Way Flat Dust Cover, (24 Pack)	Boxed	1



### WESBAR® 5-FLAT WIRE HARNESSSES

- Color coded harnesses in various lengths available with car and trailer end connectors
- Trailer ends can be purchased in straight lengths, loops, wunside or wishbone harness styles

Part Number	Description	Packaging	Master Carton
<b>Car End Harnesses</b>			
702305	5-Flat 48 in. Car End , 18 in. Ground, 48 in. Auxiliary	Clamshell	12
002309	5-Flat 60 in. Car End, 60 in. Ground, 60 in. Auxiliary	Bulk	100
707273	5-Flat 60 in. Car End, 60 in. Ground, 60 in. Auxiliary	Clamshell	12
118016	5-Flat 72 in. Car End	Clamshell	12
118016-025	5-Flat 72 in. Car End, (25 Pack)	Boxed	4
<b>Trailer End Harness - Wunside Style</b>			
702405	5-Flat 18 in. Trailer End, Wunside Harness, 18 in. Ground, 18 in. Auxiliary	Clamshell	12
<b>Trailer End Harnesses - Wishbone Style</b>			
118017	5-Flat 48 in. Trailer End, Wishbone Harness	Clamshell	12
002409	5-Flat 48 in. Trailer End, Wishbone Harness, 48 in. Ground, 48 in. Auxiliary	Bulk	100
707283	5-Flat 48 in. Trailer End, Wishbone Harness, 48 in. Ground, 48 in. Auxiliary	Clamshell	12
002275	5-Flat 25 ft. Trailer End, Wishbone Harness, 48 in. Ground, 60 in. Auxiliary	Bulk	1
702275	5-Flat 25 ft. Trailer End, Wishbone Harness, 48 in. Ground, 60 in. Auxiliary	Clamshell	6
002280	5-Flat 30 ft. Trailer End, Wishbone Harness, 48 in. Ground, 60 in. Auxiliary	Bulk	1
002285	5-Flat 35 ft. Trailer End, Wishbone Harness, 48 in. Ground, 60 in. Auxiliary	Bulk	1
002290	5-Flat 40 ft. Trailer End, Wishbone Harness, 48 in. Ground, 60 in. Auxiliary	Bulk	1
<b>Trailer End Harnesses with Car End - Wishbone Style</b>			
707105	5-Flat 25 ft. Trailer End, Wishbone Harness Kit with Hardware, 48 in. Ground, 60 in. Auxiliary with 72 in. Car End, 72 in. Ground, 72 in. Auxiliary	Clamshell	6
<b>Double Ended Harnesses - Extension Style</b>			
707255	Double End 5-Way 24 in. Cord, 5-Flat Car and Trailer Ends	Clamshell	12
118215	Double End 5-Way 72 in. Cord, 5-Flat Car and Trailer Ends	Clamshell	12

NOTE: Various length and combinations available. Contact your Horizon Global Representative for details

### 5-FLAT DUST COVERS

Part Number	Description	Packaging	Master Carton
20118	5-Flat Dust Cover	Clamshell	6
20118-024	5-Flat Dust Cover, (24 Pack)	Boxed	1

## 6-WAY HARNESSSES



118036



118037

## 6-WAY METAL CONNECTORS

- Heavy duty die cast corrosion resistant housing, spring loaded car end cover, and coded terminals
- Interchangeable with other standard 6-Way connectors

Part Number	Description	Packaging	Master Carton
62	6-Way Metal Car End Only	Litho Box	50
63	6-Pin Metal Trailer End Only	Litho Box	50
118036	6-Pin Heavy Duty Metal Car End Socket Connector	Clamshell	6
118036-006	6-Pin Heavy Duty Metal Car End Socket Connector, (6 Pack)	Boxed	10
118036-050	6-Pin Heavy-Duty Metal Car End Socket Connectors, (50 Pack)	Boxed	2
118037	6-Pin Heavy-Duty Metal Trailer End Plug Connectors	Clamshell	12
118037-006	6-Pin Heavy-Duty Metal Trailer End Plug Connectors, (6 Pack)	Boxed	25
118037-050	6-Pin Heavy-Duty Metal Trailer End Plug Connectors, (50 Pack)	Boxed	3

## 6-SQUARE WIRE HARNESSSES

- Used on tent trailers



118104

Part Number	Description	Packaging	Master Carton
30105	6-Way Square Connector Set, Male and Female Ends, 12 in.	Clamshell	12
118104	6-Square to 4-Flat Adapter, 12 in. Loop	Poly Bag	10

## 6-WAY SUPER SEALED CAR END WITH CABLE

- Pre-Wired, 6-Way car end sealed with 2 ft., 4 ft. or 7 ft. of UL listed 6-Pin cable (white/blue/red - 10 ga.; yellow/brown/green 14 - ga.)
- Solid brass terminals and housing of industrial-strength, glass-filled thermoplastic, door with EPDM rubber gasket and heavy duty stainless steel spring
- Manufactured with UL listed PVC for flexibility and features molded construction to encapsulate terminals and wires



50-86-004

Part Number	Description	Packaging	Master Carton
50-86-004	6-Pin Super Sealed Car End with 4 ft. Cable	Boxed	10
50-86-007	6-Pin Super Sealed Car End with 7 ft. Cable	Boxed	10

## 6-PIN MOLDED TRAILER END CONNECTORS WITH CABLE

- 6-Pin heavy duty series molded connectors
- Can be purchased with 3-10 gauge and 3-14 gauge wires (primary wire gauges; yellow/brown/green - 14 ga.) or 6-14 gauge wires
- Both models feature encapsulated terminals and wires to form one weather resistant, non-corrosive assembly
- Can be used with thermoplastic or metal 6-Pin car end connectors



50-61-008

Part Number	Description	Packaging	Master Carton
50-61-008	6-Way Molded Trailer Cord with 8 ft. Cable, 3-10 Gauge, 3-14 Gauge	Boxed	10
50-61-104	6-Way Molded Trailer Cord with 4 ft. Cable, 6-14 Gauge	Boxed	10
50-61-106	6-Pin Molded Trailer Cord with 6 ft. Cable, 6-14 Gauge	Boxed	10
50-61-108	6-Pin Molded Trailer Cord with 8 ft. Cable, 6-14 Gauge	Boxed	10

NOTE: Various length and combinations available. Contact your Horizon Global Representative for details

## 7-WAY CONNECTORS



50-77-003



50-77-001

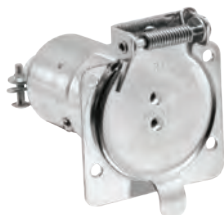
## 7-WAY THERMO-PLASTIC CONNECTORS

- 12-volt thermoplastic connector with brass contact to prevent corrosion
- Built-in cable clamp prevents wear on 7-Way cable
- Unique method of forming contact pins provides for easy connecting and disconnecting

Part Number	Description	Packaging	Master Carton
50-77-001	7-Way Plastic Car End Only	Bulk	50
54-77-001	7-Way Plastic Car End Only	Poly Bag	25
50-77-003	7-Way Plastic Trailer End Only	Bulk	50
54-77-003	7-Way Plastic Trailer End Only	Poly Bag	25



50-57-007



50-57-503

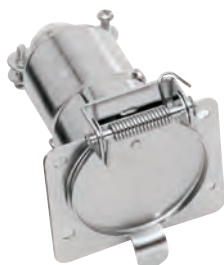
## 7-WAY METAL CONNECTORS

- 12-volt metal connector with plastic core
- Metal housing is 20 gauge steel, zinc plated to protect against corrosion
- Trigger grip for easy disconnection

Part Number	Description	Packaging	Master Carton
50-57-503	7-Way Metal Car End Only	Bulk	50
54-57-503	7-Way Metal Car End Only	Poly Bag	25
50-57-007	7-Way Metal Trailer End Only	Bulk	50
54-57-007	7-Way Metal Trailer End Only	Poly Bag	25



118021



118030

## 7-WAY STANDARD CONNECTORS

- Non-corroding brass terminals
- Built in strain relief keeps wire secured to terminals
- Designed for 12 volt systems
- Flat style contact pins mean easy, positive connecting and disconnecting
- Designed for RV trailers
- Available with metal or plastic shell

Part Number	Description	Packaging	Master Carton
118020-006	7-Way Plastic Car End Socket Connector, (6 Pack)	Boxed	12
118020-050	7-Way Plastic Car End Socket Connector, (50 Pack)	Boxed	3
118021	7-Way Plastic Trailer End Plug Connector	Clamshell	12
118021-006	7-Way Plastic Trailer End Plug Connector, (6 Pack)	Boxed	12
118021-050	7-Way Plastic Trailer End Plug Connector, (50 Pack)	Boxed	2
118030	7-Way Metal Car End Socket Connector	Clamshell	8
118031	7-Way Metal Trailer End Plug Connector	Clamshell	12





50-87-002

## 7-WAY SUPER SEALED CAR ENDS WITH CABLE

- Pre-Wired 7-Way car end sealed with 2 ft., 4 ft., 7 ft. or 9 ft. of UL listed 7-Way cable
- Solid brass terminals, housing of industrial-strength, glass-filled thermoplastic, door with EPDM rubber gasket and heavy duty stainless steel spring
- Manufactured with UL listed PVC for flexibility and features molded construction to encapsulate terminals and wires

Part Number	Description	Packaging	Master Carton
50-87-002	7-Way Super Sealed Car End with 2 ft. Cable	Bulk	10
51-87-002	7-Way Super Sealed Car End with 2 ft. Cable	Clam	10
50-87-004	7-Way Super Sealed Car End with 4 ft. Cable	Bulk	10
50-87-007	7-Way Super Sealed Car End with 7 ft. Cable	Bulk	10
50-87-009	7-Way Super Sealed Car End with 9 ft. Cable	Bulk	5



002478

## 7-WAY MOLDED CONNECTOR WITH CABLE TRAILER END

- 7-Way plastic trailer connector molded to heavy duty 7-Way insulated cable. Made with self-cleaning contacts and molded to encapsulate terminals and wires to form one weather resistant, non-corrosive assembly
- Primary wire gauges; black/white-10 ga., blue-12 ga., brown/red/green/yellow-14 ga.
- Molded connector can be used with thermoplastic or metal 7-Way car end connectors

Part Number	Description	Packaging	Master Carton
002478	7-Way Molded Trailer End with 8 ft. Cable	Bulk	10



50-67-410

## 7-WAY MOLDED TRAILER END WITH CABLE AND BREAKAWAY SWITCH

Part Number	Description	Packaging	Master Carton
50-67-410	7-Way Molded Trailer End with 10 ft. Cable and Breakaway Switch	Bulk	10



50-67-901

## 7-WAY DOUBLE ENDED MOLDED TRAILER END WITH CABLE

Part Number	Description	Packaging	Master Carton
50-67-901	Double Ended 7-Way Molded Trailer Cord with 6 ft. Cable	Bulk	10
50-67-210	Double Ended 7-Way Molded Trailer Cord with 8 ft. Cable	Bulk	10

NOTE: Various length and combinations available. Contact your Horizon Global Representative for details

## 7-WAY CONNECTORS



50-67-002

## 7-WAY MOLDED TRAILER END CONNECTORS WITH CABLE - RV CLOCKING

- 7-Way plastic trailer connector molded to heavy duty 7-Way insulated cable
- Made with self-cleaning contacts and molded to encapsulate terminals and wires to form one weather resistant, non-corrosive assembly
- Primary wire gauges within the insulated cable; black/white-10 ga., blue-12 ga., brown/red/green/yellow-14 ga.
- Molded connector can be used with thermoplastic or metal 7-Way car end connectors



8549100

Part Number	Description	Packaging	Master Carton
50-67-907	7-Way Molded Trailer Cord with 4 ft. Cable	Boxed	10
50-67-001	7-Way Molded Trailer Cord with 6 ft. Cable	Boxed	10
50-67-002	7-Way Molded Trailer Cord with 7 ft. Cable	Boxed	10
50-67-003	7-Way Molded Trailer Cord with 8 ft. Cable	Boxed	10
51-67-003	7-Way Molded Trailer Cord with 8 ft. Cable	Clamshell	10
50-67-004	7-Way Molded Trailer Cord with 9 ft. Cable	Boxed	10
50-67-005	7-Way Molded Trailer Cord with 10 ft. Cable	Boxed	10
50-67-007	7-Way Molded Trailer Cord with 12 ft. Cable	Boxed	10
50-67-103	7-Way Molded Trailer Cord with 15 ft. Cable	Bulk	5
50-67-106	7-Way Molded Trailer Cord with 18 ft. Cable	Bulk	5
8549100	7-Way Molded Trailer Cord with 6 ft. Cable, Blade Style	Display Card	3



54-67-525

## 7-WAY MOLDED TRAILER END CONNECTOR REPLACEMENT KIT - RV CLOCKING

- Easy to install, complete with instructions
- Features self cleaning contacts, one foot of cable, butt connectors and weather resistant shrink tubing

Part Number	Description	Packaging	Master Carton
54-67-525	7-Way Molded Trailer End Connector Replacement Kit with 12 in. Cable	Poly Bag	5

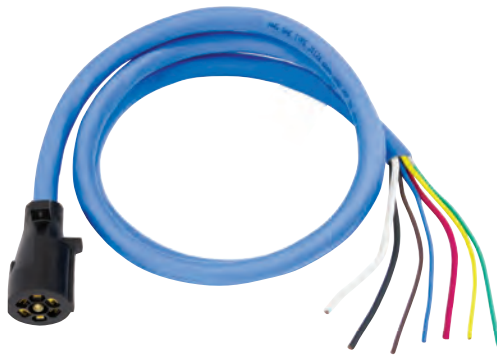
## 7-WAY CONNECTORS - RV CLOCKING

- Standard 7-Way cable
- Coiled application prevents sagging wires
- Easy termination



54006-049

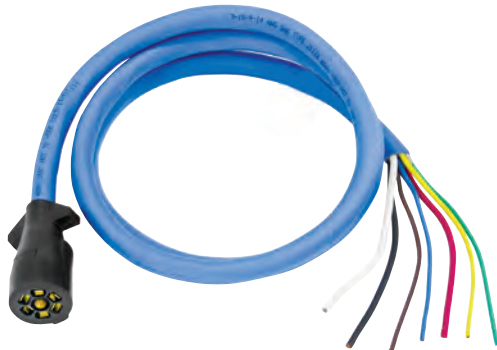
Part Number	Description	Packaging	Master Carton
54006-043	Coiled 7-Way Molded Trailer Connector, 6 ft.	Poly Bag	4
54006-049	Coiled 7-Way Molded Trailer Connector, 6 ft.	Boxed	3
54006-044	Coiled 7-Way Molded Trailer Connector, 8 ft.	Poly Bag	4
54006-050	Coiled 7-Way Molded Trailer Connector, 8 ft.	Boxed	3
54006-045	Coiled 7-Way Molded Trailer Connector, 10 ft.	Poly Bag	4
54006-051	Coiled 7-Way Molded Trailer Connector, 10 ft.	Boxed	3
54006-046	Coiled 7-Way Molded Trailer Connector, 12 ft.	Poly Bag	4
54006-052	Coiled 7-Way Molded Trailer Connector, 12 ft.	Boxed	3



54006-057

### 7-WAY HEAVY DUTY MOLDED TRAILER CONNECTORS WITH INSULATED CABLE

- 7-Way trailer connector molded to cold environment heavy duty blue silicon 7-Way insulated cable (rated to -55°C/-67°F)
- Made with self-cleaning contacts and molded to encapsulate terminals and wires to form one weather resistant, non-corrosive assembly
- Primary wire gauges within the insulated cable; black/white/red-10 ga., blue/brown/green/yellow-14 ga.
- Molded connector can be used with thermoplastic or metal 7-Way car end connectors



54006-016

Part Number	Description	Packaging	Master Carton
54006-057	7-Way Cold Weather Molded Trailer Cord with 6 ft. Cable, RV Clocking	Poly Bag	10
54006-058	7-Way Cold Weather Molded Trailer Cord with 8 ft. Cable, RV Clocking	Poly Bag	10
54006-059	7-Way Cold Weather Molded Trailer Cord with 10 ft. Cable, RV Clocking	Poly Bag	10
54006-009	7-Way Cold Weather Molded Trailer Cord with 6 ft. Cable	Poly Bag	10
54006-010	7-Way Cold Weather Molded Trailer Cord with 8 ft. Cable	Poly Bag	10
54006-015	7-Way Cold Weather Molded Trailer Cord with 10 ft. Cable	Poly Bag	10
54006-016	7-Way Cold Weather Molded Trailer Cord with 12 ft. Cable	Poly Bag	10

NOTE: Various length and combinations available. Contact your Horizon Global Representative for details. Reference wiring diagrams for pin locations



50-67-614

### 7-WAY MOLDED TRAILER CONNECTORS WITH CABLE - TRAILER CLOCKING

- 7-Way plastic connector molded to heavy duty 7-Way insulated cable using trailer clocking
- Provides 7-Way connector contact color coding more conducive to horse and livestock trailers versus RV trailers
- Made with self-cleaning contacts and molded to encapsulate terminals and wires to form one weather resistant, non-corrosive assembly
- Permits the trailer to have the clean appearance and environmental advantages of a sealed, molded 7-Way cord
- Primary wire gauges within the insulated cable; black/white-10 ga., blue-12 ga., brown/red/green/yellow-14 ga.

Part Number	Description	Packaging	Master Carton
50-67-614	7-Way Molded Trailer Cord with 4 ft. Cable	Boxed	20
50-67-616	7-Way Molded Trailer Cord with 6 ft. Cable	Boxed	15
50-67-618	7-Way Molded Trailer Cord with 8 ft. Cable	Boxed	10
50-67-620	7-Way Molded Trailer Cord with 10 ft. Cable	Boxed	10

NOTE: Various length and combinations available. Contact your Horizon Global Representative for details. Crimped junction box terminals can be added. Reference wiring diagrams for pin locations



118664

### 7-WAY / 6-PIN TRAILER EXTENSIONS

Part Number	Description	Packaging	Master Carton
118666	6-Pin Connector Extension Cable, 7 ft.	Poly Bag	25
118664	7-Way Connector Extension Cable, 7 ft.	Poly Bag	25

## 7-WAY CONNECTORS



20223

## USCAR 7-WAY PRE-WIRED CABLES

- For hook-up of fifth wheel and gooseneck trailers
- Allows remote wiring in pickup beds or other hard to access areas when towing a fifth wheel or gooseneck trailer, using an OEM USCAR connector
- Features durable plastic housing with weather tight seal

Part Number	Description	Packaging	Master Carton
20224	USCAR 7-Way Connector with 4 ft. Cable	Clamshell	12
20223	USCAR 7-Way Connector with 7 ft. Cable	Clamshell	12

NOTE: See application guide for vehicle specific applications



50-97-407

## 90° 7-WAY PRE-WIRED CABLES

- For hook-up of fifth wheel and gooseneck trailers
- 7-Way 90° connector molded to heavy duty 7-Way insulated cable for fifth wheel or gooseneck trailer applications
- Allows remote wiring in pickup beds or other hard to access areas
- 90° molded from flame retardant material
- Features a patented mounting bracket that allows for installation in virtually all pickup models and styles and includes self-tapping stainless steel mounting screws
- Manufactured with UL listed 10/2, 12/1 and 14/4 jacketed cable

Part Number	Description	Packaging	Master Carton
50-97-407	90° 7-Way Molded Trailer Cord with 7 ft. Cable	Boxed	10
54700-010	Screw Kit for Aluminum Beds, 4 Per Bag	Poly Bag	50



20129

## 6-WAY AND 7-WAY PRE-WIRED CABLES

- For hook-up of fifth wheel and gooseneck trailers
- Allows remote wiring in pickup beds or other hard to access areas when towing a fifth wheel or gooseneck trailer, upgrading from OEM wiring

Part Number	Description	Packaging	Master Carton
20128	4-Flat (OEM) to 6-Way Connector Kit with 7 ft. Cable	Clamshell	12
20129	4-Flat (OEM) to 6-Way Connector Kit with 7 ft. Cable	Clamshell	12
20131	4-Flat (OEM) to 7-Way Connector Kit with 7 ft. Cable	Clamshell	6
20140	Fifth Wheel Adapter Harness, 7-Way Flat Pin USCAR Connector Assembly with 7 ft. Cable with Pigtails for Choice of Hardwiring 6-Way or 7-Way Connector, GM, Ford, Dodge and Toyota	Clamshell	3

NOTE: See application guide for vehicle specific applications



20140

### USCAR VEHICLE SPECIFIC COMPLETE KITS



20110

Part Number	Description	Packaging	Master Carton
20110	USCAR 7-Way Complete Connector Kit with 7 ft. Cable, Dodge, Ford, GM, RAM and Toyota	Clamshell	3
20111	USCAR 7-Way Complete Connector Kit with 7 ft. Cable, Dodge RAM 1500/2500/3500 00-09	Clamshell	3
20113	USCAR 7-Way Complete Connector Kit with 7 ft. Cable, Toyota Tundra 07-09	Clamshell	3
20146	Fifth Wheel Adapter Harness, 7-Way Flat Pin U.S. Car Connector Assembly 9 ft., Dodge, Ford, GM, RAM and Toyota	Clamshell	6
20147	USCAR 7 Way Replacement Harness 18.25 in.	Clamshell	12

### 90° VEHICLE SPECIFIC COMPLETE KITS



54700-004

Part Number	Description	Packaging	Master Carton
50-97-410	90° 7-Way Complete Connector Kit with 9 ft. Cable	Poly Bag	10
50-97-411	90° 7-Way Complete Connector Kit with 9 ft. Cable	Poly Bag	10
50-97-412	90° 7-Way Complete Connector Kit with 9 ft. Cable	Poly Bag	10
54700-003	90° 7-Way Complete Connector Kit with 7 ft. Cable	Poly Bag	10
54700-004	90° 7-Way Complete Connector Kit with 7 ft. Cable	Poly Bag	10
54700-007	90° 7-Way Complete Connector Kit with 7 ft. Cable	Poly Bag	10
54700-009	90° 7-Way Complete Connector Kit with 9 ft. Cable	Poly Bag	10

NOTE: See application guide for vehicle specific applications

### 7-WAY 90° PRE-WIRED CABLE APPLICATION CHART

Make/Model	Style	Years	Position	7 ft. Clamshell	9 ft. Clamshell	90°/9 ft. Bulk	90°/7 ft. Bulk
<b>CHEVROLET/GMC</b>							
Silverado/Sierra 1500	with Factory 7-Way	99 - 19	PU3	20110	20146	50-97-410	54700-003
Silverado/Sierra 1500 HD	(Classic), with Factory 7-Way	01 - 07	PU3	20110	20146	50-97-410	54700-003
Silverado/Sierra 2500	with Factory 7-Way	99 - 04	PU3	20110	20146	50-97-410	54700-003
Silverado/Sierra 2500 HD	with Factory 7-Way	01 - 21	PU3	20110	20146	50-97-410	54700-003
Silverado/Sierra 3500	(Classic), with Factory 7-Way	01 - 07	PU3	20110	20146	50-97-410	54700-003
Silverado/Sierra 3500 HD	with Factory 7-Way	07 - 20	PU3	20110	20146	50-97-410	54700-003
<b>DODGE/RAM</b>							
Ram 1500	with Factory 7-Way	00 - 08	PU3	20111		50-97-411	
Ram 1500	with Factory 7-Way	09 - 19	PU3	20110	20146	50-97-410	54700-003
Ram 2500	with Factory 7-Way	00 - 09	PU3	20111		50-97-411	
Ram 2500	with Factory 7-Way	10 - 21	PU3	20110	20146	50-97-410	54700-003
Ram 3500	with Factory 7-Way	00 - 09	PU3	20111		50-97-411	
Ram 3500	with Factory 7-Way	10 - 19	PU3	20110	20146	50-97-410	54700-003
<b>FORD</b>							
F-150	with Factory 7-Way	97 - 20	PU3	20110	20146	50-97-410	54700-003
F-250	Styleside, with Factory 7-Way	97 - 99	PU3	20110	20146	50-97-410	54700-003
F-250/350 Super Duty	with Factory 7-Way	99 - 10	PU3	20110	20146	50-97-410	54700-003
F-250/350 Super Duty	with Factory 7-Way	11 - 20	PU3	20110	20146	54700-009	54700-007
F-450 Super Duty	with Factory 7-Way	99 - 10	PU3	20110	20146	50-97-410	54700-003
F-450 Super Duty	with Factory 7-Way	11 - 20	PU3	20110	20146	54700-009	54700-007
F-550 Super Duty	with Factory 7-Way	99 - 11	PU3	20110	20146	50-97-410	54700-003
<b>LINCOLN</b>							
Mark LT	with Factory 7-Way	06 - 08	PU3	20110	20146	50-97-410	54700-003
<b>NISSAN</b>							
Titan	with Factory 7-Way	04 - 14	PU3	20110	20146	50-97-410	54700-003
<b>TOYOTA</b>							
Tundra	with Factory 7-Way	07 - 09	PU3	20113		50-97-412	54700-004
Tundra	with Factory 7-Way	10 - 19	PU3	20110	20146	50-97-410	54700-003

LIVE. WORK. PLAY.

## BRAKE MATE™ 7-WAY PRE-WIRED ADAPTER KIT



118607

- Includes all necessary parts required to completely install all brake controls. No other parts are necessary
- Each Brake Mate™ Kit includes:
  - (1) Pre-Wired 7-Way round connector
  - (5) Scotch locks
  - (1) 4-Flat trailer end
  - (7) Ring connectors
  - (1) Heavy-duty flasher
  - (8) Self tapping screws
  - (2) Heavy-duty breakers
  - (6) Tie straps

Part Number	Description	Packaging	Master Carton
118607	7-Way Flat Pin Brake Mate Kit, with Brake Control Wiring Installation Kit	Clamshell	12



20320

## 7-WAY AND 6-PIN ELECTRICAL ADAPTERS

- Used to convert any trailer wiring component, T-One® Connector or tail light converter with a 4-Flat trailer end connector to a 6-Way or 7-Way round connector
- For simple mounting, choose 6-Way and 7-Way mounting box part numbers 118156, 118157 or 118159 (sold separately)

Part Number	Description	Packaging	Master Carton
20320	4-Flat To 6-Pin Connector, Metal	Clamshell	3
20320-012	4-Flat To 6-Pin Connector, Metal, (12 Pack)	Boxed	1
74184	4-Flat to 7-Way Connector, Plastic	Clamshell	3
20321-012	4-Flat To 7-Way Connector, Plastic (12 Pack)	Boxed	2
20322	4-Flat To 7-Way Flat Pin Connector, Metal	Clamshell	12
20125	4-Flat To 7-Way Flat Pin U.S. Car Connector, Plastic	Clamshell	12



20321-012

## 7-WAY PRE-WIRED ADAPTER

- Used to convert any trailer wiring component, T-One® Connector or tail light converter with a 4-Flat trailer end connector to a 7-Way round connector
- Each kit includes 20 ft. of wire
- For simple mounting, choose 7-Way mounting box part numbers 118156, 118157 or 118159 (sold separately)



118799

Part Number	Description	Packaging	Master Carton
118799	7-Way Connector with Pre-Wired Brake Wire	Clamshell	3



787305

### AG 7-PIN ROUND CONNECTORS

- A discrete round 7-Pin vehicle and implement connector for AG OEM and aftermarket use
- Vehicle side connector includes a mountable storage box
- Implement side connector includes a metal spring cable relief

Part Number	Description	Packaging	Master Carton
787305	AG 7-Pin Round Pin AG Vehicle Connector	Boxed	10
787303	AG 7-Pin Round Pin AG Vehicle Connector	Clamshell	6
787304	AG 7-Pin Round Pin AG Trailer Connector	Boxed	10
787302	AG 7-Way Round Pin AG Trailer Connector	Clamshell	6



787302

### AG 7-WAY MOLDED TRAILER CONNECTORS WITH CABLE - TRAILER CLOCKING

- 7-Way plastic connector molded to heavy duty 7-Way insulated cable using trailer clocking
- Provides 7-Way connector contact color coding more conducive to horse and livestock trailers versus RV trailers
- Made with self-cleaning contacts and molded to encapsulate terminals and wires to form one weather resistant, non-corrosive assembly
- Permits the trailer to have the clean appearance and environmental advantages of a sealed, molded 7-Way cord
- Primary wire gauges within the insulated cable; black/white-10 ga., blue-12 ga., brown/red/green/yellow-14 ga.



50-67-614

Part Number	Description	Packaging	Master Carton
50-67-614	AG 7-Way Molded Trailer Cord with 4 ft. Cable	Boxed	20
50-67-616	AG 7-Way Molded Trailer Cord with 6 ft. Cable	Boxed	15
50-67-618	AG 7-Way Molded Trailer Cord with 8 ft. Cable	Boxed	10
50-67-620	AG 7-Way Molded Trailer Cord with 10 ft. Cable	Boxed	10

NOTE: Various length and combinations available. Contact your Horizon Global Representative for details. Crimped junction box terminals can be added. Reference wiring diagrams for pin locations



002500

### AG TANDEM HAUL ADAPTERS

- Allows implements to be towed in tandem, providing versatility and economy

Part Number	Description	Packaging	Master Carton
002500	AG Tandem Haul Adapter	Poly Bag	1
002625	AG Tandem Haul Kit	Boxed	1



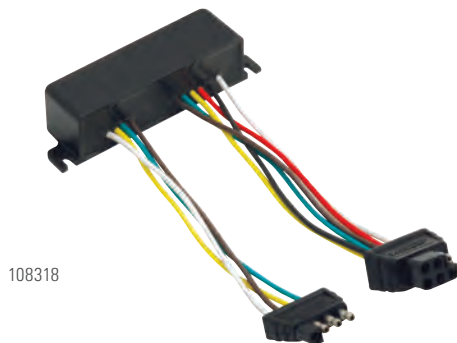
002625



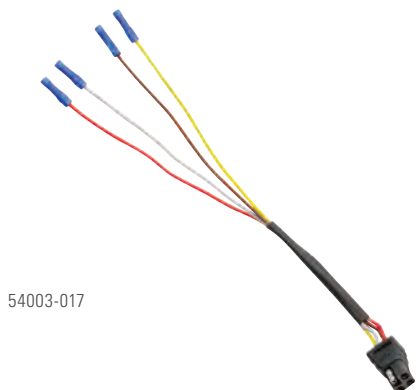
002415



002505



108318



54003-017



105728

## AG EXTENSION HARNESSES

- Install on towable field implements to bring power from the tractor to AG Lights
- Full length ground assures reliable and continuous operation
- Custom configurations and lengths available

Part Number	Description	Packaging	Master Carton
002510	AG 10 ft. Heavy-Duty Wishbone Harness	Boxed	25
002408	AG 5 ft. Economy Extension Harness	Bulk	1
002410	AG 10 ft. Economy Extension Harness	Bulk	50
002415	AG 15 ft. Straight Section Harness with 7-Pin AG Plug and Flat 4-Way	Bulk	15
002425	AG 25 ft. Straight Section Harness with 7-Pin AG Plug and Flat 4-Way	Bulk	5
002430	AG 30 ft. Straight Section Harness with 7-Pin AG Plug and Flat 4-Way	Bulk	5
002435	AG 35 ft. Extension Harness	Bulk	5
002504	AG 10 ft. Economy Rear Wishbone Harness	Boxed	50
002505	AG 15 ft. Economy Rear Wishbone Harness	Boxed	50
002515	AG 15 ft. Heavy-Duty Rear Wishbone Harness	Boxed	15

## AG LIGHT ENHANCED LIGHTING MODULE

- Install to meet the enhanced lighting standard and have a dramatic safety feature to better signal turns by tractors and implements

Part Number	Description	Packaging	Master Carton
108318	Module with Molded Plugs	Bulk	50

## AG REPAIR HARNESSES

Part Number	Description	Packaging	Master Carton
54003-017	AG Repair Harness, 4 Wire with 4-Way Square Connector	Boxed	5
54003-018	AG Repair Harness, 4 Wire with 4-Way Square Connector	Boxed	5

## AG 7-WAY PLUG HOLDER

Part Number	Description	Packaging	Master Carton
105728	Plug Holder for AG 7-Way Round Pin Trailer Connector Trailer End	Boxed	50





118700



118704-050



118703



20142



51-20036

## VEHICLE / TRAILER ADAPTERS

- Adapters for a quick switch from one style plug to another when towing multiple trailers

Part Number	Description	Packaging	Master Carton
20136	4-Flat To 5-Flat Adapter	Clamshell	12
118601	4-Flat Knockout Adapter	Clamshell	12
50-98-054	6-Pin Round Pin to 4-Way Flat	Boxed	200
707281	6-Pin Round Pin to 4-Way Flat	Clamshell	6
118700	6-Pin Round To 4-Flat Adapter	Clamshell	12
118700-050	6-Pin Round To 4-Flat Adapter, (50 Pack)	Boxed	1
50-98-050	7-Way Blade to 4-Way Flat	Boxed	150
54-98-050	7-Way Blade to 4-Way Flat	Poly Bag	25
707282	7-Way Blade to 4-Way Flat	Clamshell	6
50-98-052	7-Way Round Pin to 4-Way Flat	Boxed	125
54-98-052	7-Way Round Pin to 4-Way Flat	Poly Bag	25
767940	7-Way Blade to 5-Way Flat	Clamshell	6
007257	7-Way Blade to 5-Flat, 6 in. Wire	Clamshell	12
707250	7-Way Blade to 5-Flat, 18 in. Wire	Clamshell	6
50-98-051	7-Way Blade to 6-Pin Round Pin (Auxiliary in Center)	Boxed	150
54-98-051	7-Way Blade to 6-Pin Round Pin (Auxiliary in Center)	Poly Bag	25
74607	7-Way Flat Pin To 4-Flat Adapter	Clamshell	6
118702-050	7-Way Flat Pin To 4-Flat Adapter, (50 Pack)	Boxed	2
118709	7-Way Round Pin To 4-Flat Adapter	Clamshell	12
118710	7-Way European Style Round Pin to 4-Flat Adapter	Boxed	10
85216	7-Way To 6-Pin Adapter, Electric Brakes To Outer Pin (S)	Clamshell	3
118704-050	7-Way To 6-Pin Adapter, Electric Brakes To Outer Pin (S), (50 Pack)	Boxed	2
74645	7-Way To 6-Pin Adapter, Electric Brakes To Center Pin (A)	Clamshell	3
118708-050	7-Way To 6-Pin Adapter, Electric Brakes To Center Pin (A), (50 Pack)	Boxed	1
118703	7-Way To 5-Flat Adapter	Boxed	12

## LAMP OUT BY-PASS VEHICLE ADAPTERS

- Adapters with LED lamp out by-pass for European vehicles

Part Number	Description	Packaging	Master Carton
20141	7-Way Flat Pin to 5-Flat Adapter with LED Lamp Out By-Pass	Clamshell	12
20142	7-Way Flat Pin to 7-Flat Adapter with LED Lamp Out By-Pass	Clamshell	12

## STANDARD VEHICLE / TRAILER ADAPTER

- Step-up style

Part Number	Description	Packaging	Master Carton
51-20036	4-Flat to 5-Flat	Clamshell	12

## DUAL PART VEHICLE / TRAILER ADAPTER

- Step-up style

Part Number	Description	Packaging	Master Carton
85343	4-Flat to 4-Flat and 7-Way	Clamshell	3

## ELECTRICAL ADAPTERS



118019

## CIGARETTE LIGHTER ADAPTER

- Provides 12v power at rear of vehicle for travel accessories
- Ideal for power inverter hook-up
- Great for tailgating

Part Number	Description	Packaging	Master Carton
118019	7-Way to Cigarette Lighter Plug Adapter	Clamshell	12



78007

## RETRACTABLE WIRING ADAPTER

- Converts 7-Way round blade connector to standard 4-Way flat connector
- Adjust length up to 42 in., no wires dragging on the ground
- Retractable 4-Way flat car end plug connects with standard 4-Way flat trailer end plug
- Adapts to factory 7-Way blade receptacle
- Protects and stores when not in use

Part Number	Description	Packaging	Master Carton
78007	7-Way to 4-Way Flat	Display Card	2



78118

## ADAPTER WITH LED CIRCUIT TESTER

- Easily adapt OEM 7-Way blade connector to either 5-Flat or a 4-Flat connector
- Instantly checks electrical circuit for connectivity
- Displays connectivity using high visibility LEDs
- Attached dust cover included to keep terminals clean when not towing a trailer
- Patent pending

Part Number	Description	Packaging	Master Carton
78118	7-Way Blade to 4 or 5-Flat with LED Circuit Tester	Clamshell	3



78117

## ADAPTER WITH TOW-GLO

- Easily adapt OEM 7-Way blade connector to basic 4-Flat connector
- Glows RED when tail light circuit is activated assisting with seeing connection in low light
- Attached dust cover included to keep terminals clean when not towing a trailer

Part Number	Description	Packaging	Master Carton
78117	7-Way Blade to 4-Flat with Tow-Glo	Clamshell	3



787207

## VEHICLE / TRAILER COILED ADAPTERS

- Environmentally sealed 16 gauge coiled wire prevents tangling
- Attractive marine yellow, no fade color
- 7-Way mates with OE style 7-Way blade connectors
- 5-Way mates with either a 4-Way or 5-Way flat connector

Part Number	Description	Packaging	Master Carton
787206	5-Flat Coiled Jumper with 4 ft. Cable, 5-Way Flat Car and Trailer Ends	Clamshell	20
787207	7-Way Trailer to 5-Flat Car End Coiled Jumper with 4 ft. Cable	Clamshell	20
787208	7-Way Trailer to 5-Way Flat Car End Coiled Jumper with 8 ft. Cable	Clamshell	24

50-77-070



## CAR END MOUNTING BRACKETS

- Heavy duty plated steel brackets, featuring reinforcing beads or flanges for strength
- The black plated model can blend in with the black connector and black hitch for a clean consistent finish
- Combination brackets have a black, powder coat finish and are formed from 16 gauge steel for strength and durability
- Combination brackets are for use with Bargman® branded 4-Way and 5-Way flat connectors

50-77-071



## 7-WAY MOUNTING BRACKETS

- These brackets only fit the following car end connectors:
  - Bargman® 7-Way super sealed car ends with cable
  - Bargman® 7-Way thermoplastic or metal car end connectors
  - Bargman® 90° 7-Way pre-Wired cables

Part Number	Description	Packaging	Master Carton
50-77-070	7-Way Mounting Bracket for Car End, Silver	Boxed	100
50-77-071	7-Way Mounting Bracket for Car End, Black	Boxed	100
54-77-071	7-Way Mounting Bracket for Car End, Black	Poly Bag	25

54-20012



## 7-WAY UNIVERSAL MOUNTING BRACKET

- Universal mounting bracket with long clamp
- Includes screws and nuts

Part Number	Description	Packaging	Master Carton
54-20012	7-Way US Car Mounting Bracket with Universal Mounting Bracket and Long Clamp, Includes Screws and Nuts, Black	Poly Bag	25

118132



## 4-WAY AND 6-WAY MOUNTING BRACKET

- Universal for 4-Way and 6-Way connectors
- Holes pre-drilled for assorted connectors and easy installation
- Features hitch ball attachment hole

Part Number	Description	Packaging	Master Carton
118132	Mounting Bracket for 4-Way and 6-Way Round Connectors, Does Not Include Fasteners	Clamshell	3

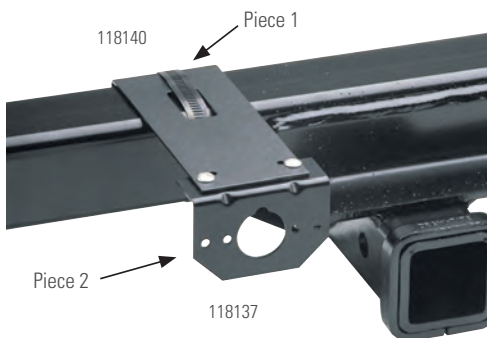
118149



## 4-FLAT UNIVERSAL MOUNTING BRACKET

Part Number	Description	Packaging	Master Carton
118149	4-Flat Universal Mounting Bracket	Clamshell	12
118149-010	4-Flat Universal Mounting Bracket, (10 Pack)	Clamshell	1

## MOUNTING BRACKETS



## 2-PIECE MOUNTING BRACKETS

- The Bargman® line of mounting brackets allows for installation of electrical wiring plugs on vehicles without damage to bumpers or fascia trim
- Attachment brackets are designed to attach above or below receiver cross tube with hose clamp

## ATTACHMENT BRACKETS - PIECE 1

- Attaches to cross tube of hitch

Part Number	Description	Packaging	Master Carton
118136	Attachment Bracket for 6-Way and 7-Way Round Connectors, Includes Clamp, Long Bracket	Clamshell	12
118140	Attachment Bracket for 4-Flat, 5-Flat, 4-Way and 5-Way Round Connectors, Includes Clamp, Short Bracket	Clamshell	12

## MOUNTING BRACKETS - PIECE 2

- Mounts electrical connector to attachment bracket
- Includes screws and nuts

Part Number	Description	Packaging	Master Carton
118137	Mounting Bracket for 4-Way, 5-Way and 6-Way Connectors, Includes Screws and Nuts	Clamshell	12
118137-010	Mounting Bracket for 4-Way, 5-Way and 6-Way Connectors, Includes Screws and Nuts, (10 Pack)	Poly Bag	12
118138	Mounting Bracket for 7-Way Flat Pin Connectors, Includes Screws and Nuts	Clamshell	12
118138-010	Mounting Bracket for 7-Way Flat Pin Connectors, Includes Screws and Nuts, (10 Pack)	Poly Bag	1
118144	Mounting Bracket for 4-Flat Connectors, Includes Screws and Nuts	Clamshell	12
118144-010	Mounting Bracket for 4-Flat Connectors, Includes Screws and Nuts, (10 Pack)	Poly Bag	1
20212	Mounting Bracket for 7-Way OEM Connectors, Includes Screws and Nuts	Clamshell	12
20212-010	Mounting Bracket for 7-Way OEM Connectors, Includes Screws and Nuts, (10 Pack)	Poly Bag	1
20046	Mounting Bracket for 5-Flat Connectors, Includes Screws and Nuts	Clamshell	6

NOTE: 118138, 118138-010 brackets only fit the following car end connectors:

- Bargman 7-Way Super Sealed Car Ends with Cable
- Bargman 7-Way Thermoplastic or Metal Car End Connectors
- Bargman 90° 7-Way Pre-Wired Cables

## 6-WAY AND 7-WAY PLUG HOLDER

- Designed to house your 6-Pin or 7-Way trailer end connector safely out-of-the-Way when disconnected from the tow vehicle
- Accommodates either die cast, steel, plastic or molded trailer ends
- Black molded plastic holder mounts on the jack post with provided cable-ties or the attached adhesive strip and can be mounted on any flat surface with provided screws

Part Number	Description	Packaging	Master Carton
50-98-003	6-Pin and 7-Way Plug Holder	Boxed	150



118136



118140



118137



118138



50-98-003



118156



118159

### 6-PIN AND 7-WAY CONNECTOR MOUNTING BOXES

- No need to disconnect existing wiring
- No drilling
- Mounts with hose clamp included
- Corrosion free
- High impact plastic
- Fits all standard and U.S. car 7-Way connectors

Part Number	Description	Packaging	Master Carton
118156	6-Pin and 7-Way Connector Mounting Box for 2-1/2 in. Cross tubes	Boxed	10
118156-010	6-Pin and 7-Way Connector Mounting Box for 2-1/2 in. Cross tubes, (10 Pack)	Boxed	3
118157	6-Pin and 7-Way Connector Mounting Box for 3 in. Cross tubes	Boxed	10
118157-010	6-Pin and 7-Way Connector Mounting Box, 3 in. Cross tubes, (10 Pack)	Boxed	1
118159	6-Pin and 7-Way Connector Mounting Box, Universal for Round and Square Cross tubes	Boxed	10
118159-010	6-Pin and 7-Way Connector Mounting Box, Universal for Round and Square Cross tubes, (10 Pack)	Boxed	1



74641

### 4-FLAT CONNECTOR STORAGE BOX

- Neatly stores 4-Flat and 5-Flat connectors
- Easily installs with included cable ties or screws
- Weatherproof construction

Part Number	Description	Packaging	Master Carton
74641	Electrical Connector Storage Box	Clamshell	3



14-715810

### 7-WAY JUNCTION BOXES

- Provides a fast, simplified way of connecting wires from the trailer connector to the trailer wiring
- Complete with 5-Wire enter/exit ports, includes hardware, rubber grommets, and features external mounting flanges
- Dimensions: 3-1/4 in. x 6-1/2 in. x 2-1/4 in.

Part Number	Description	Packaging	Master Carton
14-715810	7-Way Junction Box	Poly Bag	18
787535	7-Way Junction Box	Poly Bag	5

*NOTE: Most Bargman 7-Way cable products meet UL standards and are appropriately marked. If a non-UL listed cable will be used to connect tow vehicles to trailers capable of housing or transporting live occupants, Horizon Global recommends the use of a wiring Junction Box. This will provide a simplified method of connecting wire leads from the trailer connector to the UL listed trailer wiring.*

## BATTERY COMPONENTS

11755



## DIELECTRIC GREASE

- Using dielectric grease on electrical connectors helps prevent corrosion and increases reliability

Part Number	Description	Packaging	Master Carton
11755	Dielectric Grease, 2 oz. Tube	Poly Bag	12

3194-S



## BATTERY POST ADAPTER

- Battery post adapter for General Motors side post batteries
- Allows stud for attaching accessories wires

Part Number	Description	Packaging	Master Carton
3194-S	Battery Post Adapter, 2 Per Package	Clamshell	10

7000



## BATTERY ISOLATORS

- Cadmium plated isolator with terminal nuts and lock-washers
- 3 terminal isolator for metal frame ground systems, 4 terminal has insulated ground terminal for use with fiberglass or other non-conductive materials
- Isolates starting battery, provides secondary battery current for auxiliary power and full time charging of both batteries

7001



Part Number	Description	Packaging	Master Carton
7000	Battery Isolator, 3 Terminal	Boxed	50
7000-S	Battery Isolator, 3 Terminal	Litho Box	20
7001	Battery Isolator, 4 Terminal	Boxed	50
7001-S	Battery Isolator, 4 Terminal	Plastic Shroud	20
54-98-004	Battery Isolator, 4 Terminal	Clamshell	25
118665	Battery Isolation Solenoid, 3 Pole, 12 Volt, Chassis Ground	Clamshell	60

118665



38665-012



38666-010



38667-010



## TERMINAL RELAYS

- 12 volt
- Vehicle specific

Part Number	Description	Packaging	Master Carton
38665-012	4 Terminal Relay, 12 Volt, 2007-Up Chevrolet Equinox, Pontiac Torrent and Suzuki XL-7/2008-Up Ford Escape, Mazda Tribute and Mercury Mariner, (12 Pack)	Poly Bag	1
38666-010	4 Terminal Relay, Small, 12 Volt, 2004-Up Infiniti QX56, Nissan Armada & Titan/2005-Up Nissan Frontier, Pathfinder and Xterra/2009-Up Suzuki Equator, (10 Pack)	Poly Bag	12
38667-010	6 Terminal Relay, Large, 12 Volt, 2004-Up Infiniti QX56, Nissan Armada & Titan/2005-Up Nissan Frontier, Pathfinder and Xterra/2009-Up Suzuki Equator, (10 Pack)	Poly Bag	1

7011A



7013A



## CIRCUIT BREAKERS

- Used in 6V, 12V and 24V DC applications
- Automotive, RV, air conditioners, battery chargers, any application requiring over-current protection
- Non-corrosive molded cover eliminates grounding when operating against a fault line
- Includes mounting bracket and installed nuts and washers

Part Number	Description	Packaging	Master Carton
7010A	15 Amp Circuit Breaker	Poly Bag	50
7010A-S	15 Amp Circuit Breaker	Poly Bag	10
7011A	20 Amp Circuit Breaker	Poly Bag	50
7011A-S	20 Amp Circuit Breaker	Poly Bag	10
7012A	30 Amp Circuit Breaker	Poly Bag	50
7012A-S	30 Amp Circuit Breaker	Poly Bag	10
7013A	40 Amp Circuit Breaker	Poly Bag	50
7013A-S	40 Amp Circuit Breaker	Poly Bag	10
7022A	50 Amp Circuit Breaker	Poly Bag	50
7022A-S	50 Amp Circuit Breaker	Poly Bag	10

002806



20035-025



## HARDWARE COMPONENTS

- Assortment of hardware components designed specifically for the trailer industry

Part Number	Description	Packaging	Master Carton
104429	Clip, Plastic Wire, Adhesive Back	Boxed	1,000
002802	Clip, Metal Wire	Poly Bag	1,000
002805	Nut, Wire, Large, 14-16 Gauge	Poly Bag	1,000
002806	Tap, White Wire, Double Leads	Poly Bag	500
002807	Tap, Blue Wire, Single Leads	Poly Bag	500
20034-025	*Perm-A-Seal Butt Connectors, 14-16 Gauge, Blue, (25 Pack)	Poly Bag	12
20035-025	*Perm-A-Seal Butt Connectors, 10-12 Gauge, Yellow, (25 Pack)	Poly Bag	12

\*Perm-A-Seal® brand or comparable substitute

## CIRCUIT TESTERS



6562

## 7-WAY BLADE TESTERS

Used for the proper installation and set-up of a brake control when a trailer is not readily available. Brake control set-up is accomplished using a built-in load module that will simulate electric magnet brakes on a trailer.

- Will check electrical continuity of all circuits in the 7-Way blade style connector
- Electric brake and battery charge included
- One piece units with internal ground

Part Number	Description	Packaging	Master Carton
6562	7-Way Blade Tester and Trailer Emulator with LED Display	Clamshell	20



6565

## CURRENT MONITOR

Designed to assist in determining whether a tow vehicle's 7-Way blade car end connector has been wired properly.

- Excellent diagnostic tool for installation, setup and troubleshooting of electric trailer brake controls
- Used to level and pre-set brake control when trailer is not available

Part Number	Description	Packaging	Master Carton
6565	Current Monitor	Boxed	1



8010

## TRAILER TESTER

- Indicates approximate amount of current in each circuit
- Tests voltage of the external battery connected to the trailer charge circuit of electric trailer brake control

Part Number	Description	Packaging	Master Carton
8010	Trailer Tester, Includes Charger	Boxed	1



7585

## BRAKE CONTROL BENCH TESTER

- Checks brake control output, independent of vehicle wiring
- Simulates many fault conditions including open ground, short circuit, open load and more

Part Number	Description	Packaging	Master Carton
7585	Brake Control Bench Tester	Boxed	1



20145

## CIRCUIT TESTERS

Part Number	Description	Packaging	Master Carton
40376	Circuit Tester	Bulk	12
3808	Economy Circuit Tester	Clamshell	6
74633	4-Flat Circuit Tester	Clamshell	6
20115	5-Flat Circuit Tester	Clamshell	12
20116	6-Pin Circuit Tester	Clamshell	12
20117	7-Way Circuit Tester	Clamshell	12
20145	LED Circuit Tester	Clamshell	12
20145-010	LED Circuit Tester, (10 Pack)	Boxed	1





118704-050†



22550†



51-87-004†



20321†



54500-002†



54-6562†



7200†

† = Available while supplies last

**LAST CHANCE****VEHICLE / TRAILER ADAPTERS**

Part Number	Description	Substitute Part Number	Packaging	Master Carton
118702†	7-Way Flat Pin To 4-Flat Adapter	74607	Clamshell	12
118704†	7-Way To 6-Pin Adapter, Electric Brakes To Outer Pin (S)	85216	Clamshell	12
118708†	7-Way To 6-Pin Adapter, Electric Brakes To Center Pin (A)	74645	Clamshell	12
118020†	7-Way Plastic Car End Socket Connector	74126	Clamshell	8

**LAST CHANCE****7-WAY VEHICLE COMPLETE KIT**

Part Number	Description	Substitute Part Number	Packaging	Master Carton
22550†	Universal, Works with Multiplex Vehicles	22551	Boxed	3

**LAST CHANCE****7-WAY CAR ENDS WITH CABLE**

Part Number	Description	Substitute Part Number	Packaging	Master Carton
51-87-004†	7-Way Super Sealed Car End with 4 ft. Cable	50-87-004	Clamshell	10

**LAST CHANCE****7-WAY ELECTRICAL ADAPTER**

Part Number	Description	Substitute Part Number	Packaging	Master Carton
20321†	4-Flat To 7-Way Connector, Plastic	74184	Clamshell	3

**LAST CHANCE****AG REPAIR HARNESS**

Part Number	Description	Substitute Part Number	Packaging	Master Carton
54003-020†	AG Repair Harness, 4 Wire with 4-Way Weatherpack Connector	-	Bulk	5

**LAST CHANCE****AG LIGHTING MODULES**

Part Number	Description	Substitute Part Number	Packaging	Master Carton
54500-001†	Module with Wire Leads	108318	Boxed	4
54500-002†	Module with Brake Light Signal Function with Wire Leads	108318	Bulk	4

**LAST CHANCE****7-WAY BLADE TESTER**

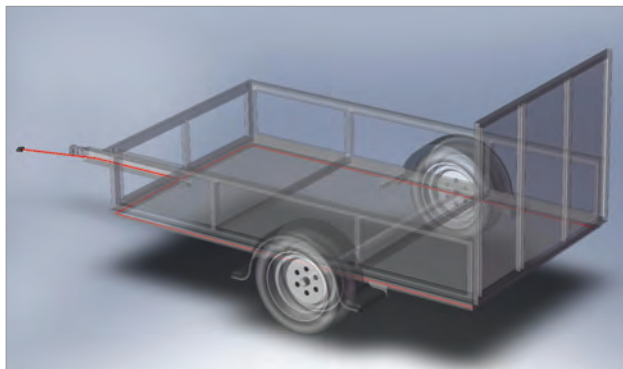
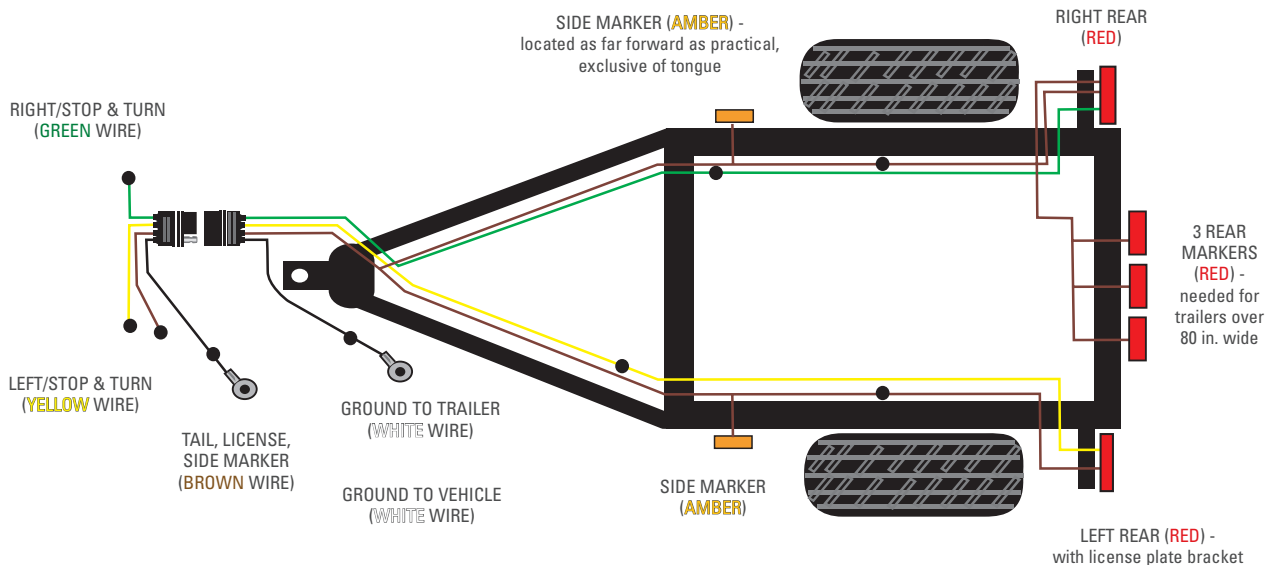
Part Number	Description	Substitute Part Number	Packaging	Master Carton
54-6562†	7-Way Blade Tester and Trailer Emulator with LED Display	6562	Clamshell	-
767943†	7-Way Blade Tester and Trailer Emulator with LED Display	6562	Clamshell	6

**LAST CHANCE****ELECTROTEK® COMPOUND**

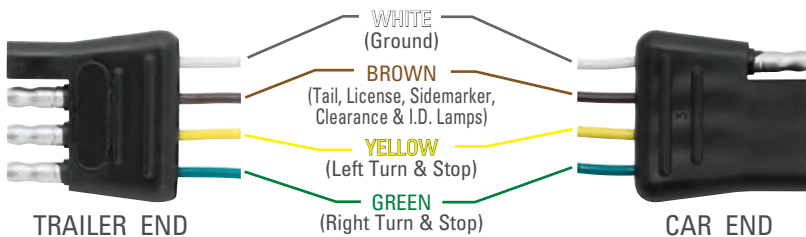
Part Number	Description	Substitute Part Number	Packaging	Master Carton
7200†	Electrotek, 3 oz. Tube	11755	Poly Bag	12
7200P†	Electrotek, 3 oz. Tube	11755	Clamshell	12

## WIRING DIAGRAM FOR TYPICAL 4-FLAT WISHBONE CONNECTOR

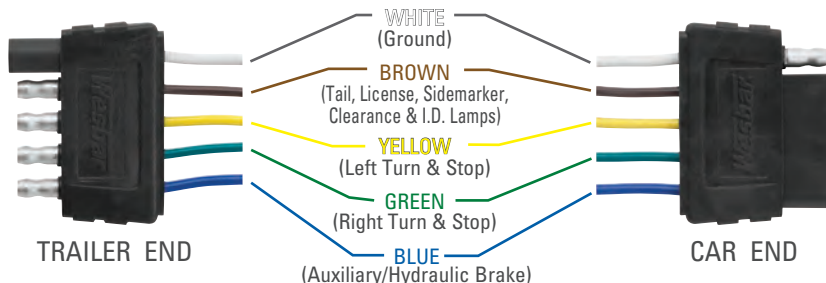
- 5-Way connector would include blue wire for auxiliary



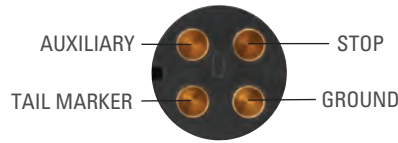
### 4-WAY FLAT CONNECTOR



### 5-WAY FLAT CONNECTOR



### 4-WAY ROUND PIN CONNECTOR



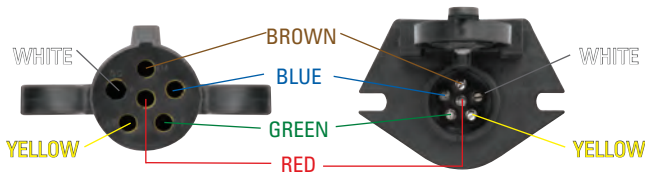
**TRAILER END**  
As viewed from core back side where wires are attached with screws.



**CAR END**  
As viewed from core back side where wires are attached with screws.

### 6-WAY ROUND PIN CONNECTOR

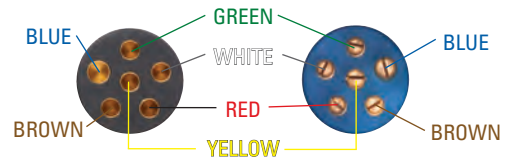
Molded Connector



**TRAILER END**  
As viewed from front face of 6-Way connector with molded on cable.

**CAR END**  
As viewed from front face of 6-Way connector with sealed cable.

Die-Cast Connector



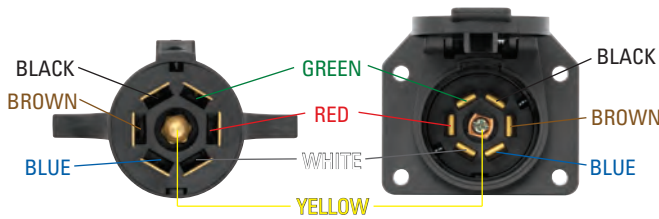
**TRAILER END**  
As viewed from core back side where wires are attached with screws.

**CAR END**  
As viewed from core back side where wires are attached with screws.

Wire Color	Gauge	Molded Connector Terminal	Die-Cast Connector Terminal
White	10/14	Common Ground	GD - Common Ground
Blue	10/14	Electric Brake	S - Electric Brake
Green	14	Right Stop and Turn	TM - Tail and License
Red	10/14	Auxiliary	LT - Left Stop and Turn
Brown	14	Tail and License	RT - Right Stop and Turn
Yellow	14	Left Stop and Turn	A - Auxiliary

### 7-WAY RV BLADE CONNECTOR

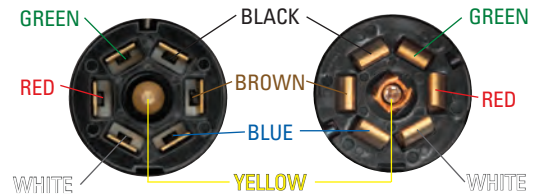
Molded Connector



**TRAILER END**  
As viewed from front face of 7-Way connector with molded on cable.

**CAR END**  
As viewed from front face of 7-Way connector with sealed cable.

Plastic/Metal Connector

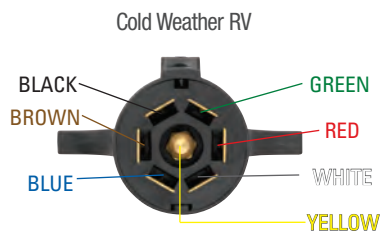


**TRAILER END**  
As viewed from core back side where wires are attached with crews.

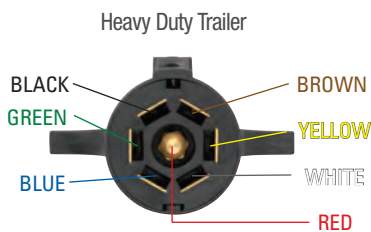
**CAR END**  
As viewed from core back side where wires are attached with crews.

Wire Color	Gauge	Molded Connector Terminal	Plastic/Metal Connector Terminal
White	10	Common Ground	#1 - Common Ground
Blue	12	Electric Brake	#2 - Electric Brake
Green	14	Tail and License	#3 - Tail and License
Black	10	Battery Charge	#4 - Battery Charge
Red	14	Left Stop and Turn	#5 - Left Turn and Stop
Brown	14	Right Stop and Turn	#6 - Right Turn and Stop
Yellow	14	Center Auxiliary	#7 - Center Auxiliary

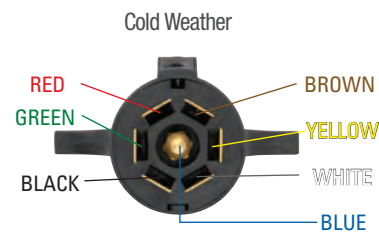
## 7-WAY PIN CLOCKING CONNECTORS



**TRAILER END**  
As viewed from front face of 7-Way connector with molded on cable.



**TRAILER END**  
As viewed from front face of 7-Way connector with molded on cable.

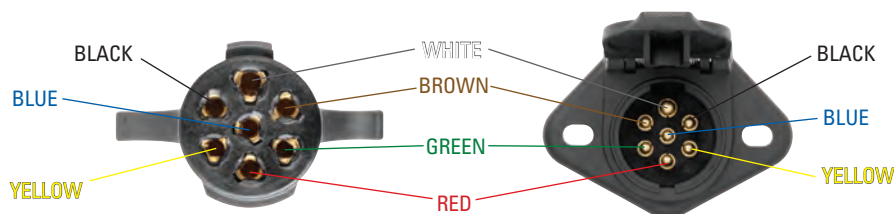


**TRAILER END**  
As viewed from front face of 7-Way connector with molded on cable.

Wire Color	Cold Weather RV Function and Gauge	Heavy Duty Trailer Function and Gauge	Cold Weather Function and Gauge
White	Common Ground / 10	Common Ground / 10	Common Ground / 10
Blue	Electric Brake / 12	Electric Brake / 12	Electric Brake / 14
Green	Tail and License / 14	Tail and License / 14	Tail and License / 14
Black	Battery Charge / 10	Battery Charge / 10	Battery Charge / 10
Red	Left Stop and Turn / 14	Left Stop and Turn / 14	Left Stop and Turn / 10
Brown	Right Stop and Turn / 14	Right Stop and Turn / 14	Right Stop and Turn / 14
Yellow	Center Auxiliary / 14	Center Auxiliary / 14	Center Auxiliary / 14

NOTE: 7-Way Heavy Duty and Cold Weather trailer wiring diagrams represent wire location and color but are NOT supplied to represent any wire or color functions. Please contact your trailer manufacturer for further details.

## AG 7-WAY ROUND PIN CONNECTOR



**TRAILER END**  
As viewed from frontface of 7-Way connector with molded on cable.

**CAR END**  
As viewed from front face of 7-Way connector with sealed cable.

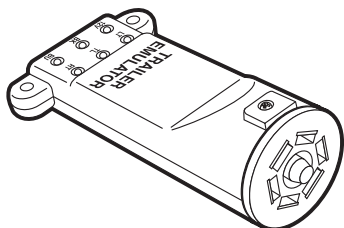
Wire Color	Molded Connector Terminal	Plastic/Metal Connector Terminal
White	Common Ground	Common Ground
Black	Works Lamps	Works Lamps
Yellow	Left Hand Flashing and Turn Indicators	Left Hand Flashing and Turn Indicators
Red	Short Lamps	Short Lamps
Green	Right Hand Flashing and Turn Indicators	Right Hand Flashing and Turn Indicators
Brown	Tail Lamps	Tail Lamps
Blue	Switched Power (12V)	Switched Power (12V)

## TRAILER EMULATOR REFERENCE GUIDE

### USER'S GUIDE

The Trailer Emulator requires the ground and 12 volt battery line to be properly connected in order to check the electric brake circuit.

- 12 volt light on the emulator will be lit as soon as the emulator is connected to the tow vehicle's plug.  
If this does not happen see Troubleshooting Chart.
- The RT, LT, TL and BU lights will light on the emulator as those functions are activated on the tow vehicle.  
If this does not happen see Troubleshooting Chart.
- The BK light on the emulator should be off until the brake control is activated. (May see a flicker but not on steady)  
NOTE: The trailer emulator is not an exact trailer load so the light displays on various brake controls will respond differently.



- LT – Left Turn Signal, **RED** Light
- TL – Tail/Running Lights, **RED** Light
- RT – Right Turn Signal, **RED** Light
- 12V – 12 Volt Battery Supply Line, **RED** Light
- BK – Electric Trailer Brakes, **RED** Light
- BU – Backup Lights, **RED** Light

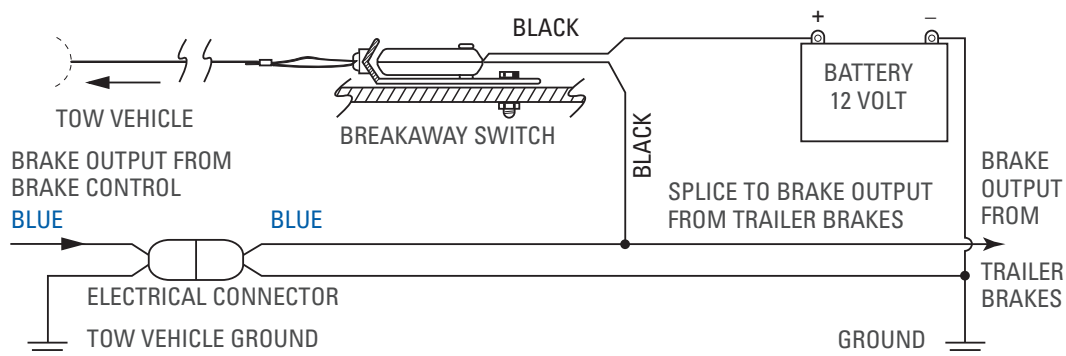
### TROUBLESHOOTING CHART

Condition	Probable Cause
<b>Trailer Emulator connected to tow vehicle:</b>	
- 12V LED is NOT lit on Trailer Emulator.	1) Bad ground or incorrect wiring in tow vehicle connector. 2) No 12 volt battery power supplied to connector.
- LT LED is NOT lit on Trailer Emulator NOTE: Applies for LT, RT, TL and BU LEDs.	1) Bad ground or incorrect wiring in tow vehicle connector. 2) Loose or poor connection in circuit under test.
- BK is NOT lit on Trailer Emulator when <u>manual slide / touch pad</u> is activated, but 12V LED is lit.	1) Bad ground or incorrect wiring in tow vehicle connector. 2) Poor ground on Brake Control. Brake Control goes into a limit mode. 3) Gain adjustment on Brake Control is set to minimum, adjust gain to maximum and retest using manual.
- BK is <u>NOT</u> lit on Trailer Emulator when <u>Brake Pedal</u> is depressed, but 12V LED is lit.	1) If using brake pedal, Tekonsha's inertia activated controls require vehicle movement to activate sensor. Apply the manual switch and see if BK LED lights. (SEE NOTE)

**NOTE:** The following two methods are available to test the Automatic response of the Tekonsha brake control with the Trailer Emulator.

1. Vehicle in Motion Method
  - Connect Trailer Emulator to vehicle.
  - Properly adjust the Level of the brake control.
  - Drive vehicle and apply brake pedal, the brake control's light should indicate a braking event.
2. Aggressive Level Method
  - Connect Trailer Emulator to vehicle.
  - Properly adjust the Level of the brake control.
  - Adjust Level setting toward Aggressive.
  - The brake control's light should indicate a braking event.
  - When finished with test remember to adjust the brake control's level back to desired tow setting.

## BREAKAWAY SWITCH INSTALLATION INSTRUCTIONS

**READ THIS FIRST:**

Read and follow all instructions carefully before installing or operating the breakaway Switch. Keep these instructions for future reference.

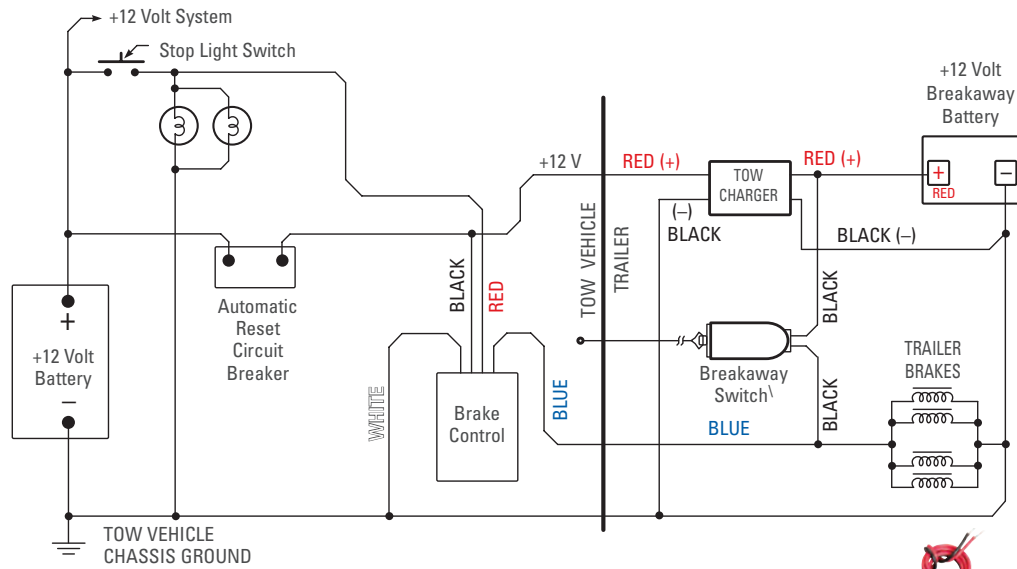
**IMPORTANT FACTS TO REMEMBER**

1. **ATTENTION INSTALLER:** Please give this sheet to consumer upon completion of installation.
2. **SAFETY ITEM:** Solder all wire connections.
3. Check condition of battery prior to each trip.
4. **▲ WARNING** Disconnect trailer plug before testing breakaway unit. Failure to do so will result in severe damage to electronic brake control.
5. **▲ WARNING** Check your breakaway system periodically to insure that wiring and connections are secure. A short or an open circuit can result in a no-brake condition.
6. For optimal performance, it is recommended that breakaway devices be replaced every 3-5 years.

**INSTALLATION GUIDE**

1. Mount Battery Case securely to frame, jack post or other suitable location on trailer with Breakaway Switch Cable towards tow vehicle.
2. **▲ WARNING** Switch location should be selected to ensure unobstructed line of pull in event of vehicle separation.
3. Bolt breakaway switch bracket to frame of trailer or battery case bracket using 1/4 in. bolt and lock nut or (2) 1/4 in. jam nuts. (Bolt and nuts not included in kit.)
4. **▲ WARNING** Do not over tighten bolt. Switch must be able to pivot.
5. Disconnect trailer from tow vehicle. Check and install battery.
6. Wire per schematic. Properly insulate all connections.
7. Attaching to tow vehicle: Attach Breakaway Switch Cable to tow vehicle frame being certain the cable does not drag on the ground and no strain or restriction is placed on the cable.
8. **▲ WARNING** Do not hook cable to safety chain loop or hitch ball.

# HEAVY DUTY MULTI-STAGE CHARGER



## BATTERY DATA CHART

- Maximum charge current must be limited to 1.2 amps
- 12 Volt • Length = 3.54 in. Width = 2.76 in. Height = 4.13 in. • Terminals: Fasten Tab .187 in. x .032 in.
- Service Life: Under normal operating conditions, 4-5 years in standby applications or 200-1000 charge/discharge cycles depending upon depth of discharge and rate of charge. Maintenance Charger. Tekonsha charger 2024-07 is recommended for proper charging.



## READ THIS FIRST:

Check condition of battery prior to installation and prior to each trip.

## IMPORTANT FACTS TO REMEMBER

1. Remove Charger and Battery from the battery case.
2. Mount battery case securely to frame, jack post or other suitable location on trailer.
3. Bolt Breakaway Switch\ to frame of trailer or battery case bracket.
4. Disconnect trailer from tow vehicle. Install battery and charger into the battery case. Feed wires out the back, then close the top.
5. Wire per schematic diagram. Properly insulate all connections.
6. For Technical Assistance and Warranty Information call
7. **▲ CAUTION** Improper installation of the breakaway battery will destroy the brake control. The **negative (-)** terminal must attach to ground and **positive (+)** terminal must attach to the breakaway switch.
8. **▲ WARNING** Check your Breakaway System\ periodically to insure that wiring and connections are secure. A short or an open circuit can result in a no-brake condition.
9. If excessive discharging of the breakaway battery occurs, check battery and recharge using a Heavy Duty Multi Stage/Maintenance Charger. Tekonsha charger 2024-07 is recommended for proper charging.
10. If the secondary battery needs charging, current will be drawn from the tow vehicle's battery at anytime the tow vehicle is connected to the trailer. Tekonsha charger 2024-07 is recommended for proper charging.
11. To only charge the breakaway battery when vehicle is running, a battery isolator may be installed in the 12 volt supply line (RED wire for tow charger). after six to nine months of storage, the battery should be recharged.

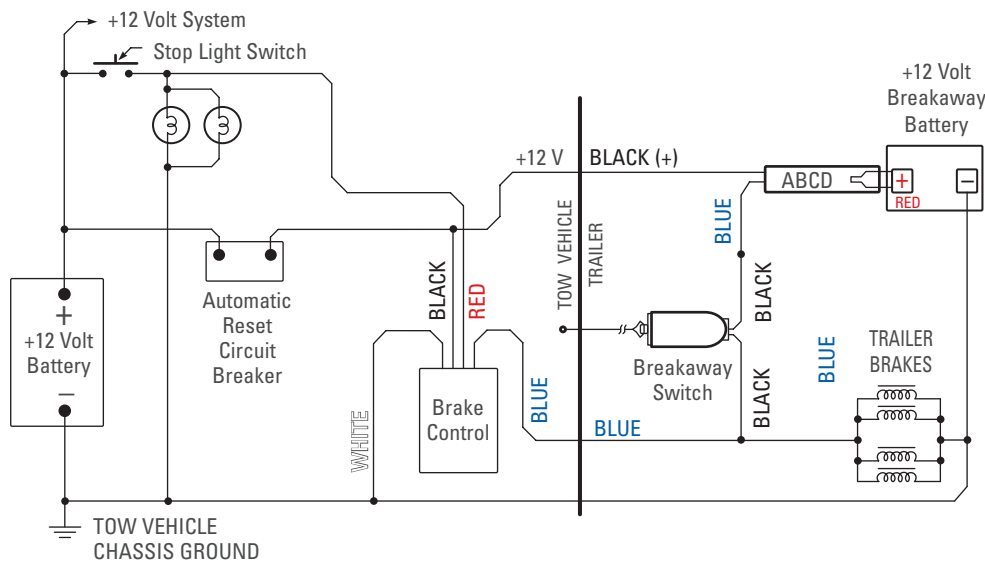
## 12 VOLT SEALED LEAD-ACID BATTERY

To maximize the life of the battery the following conditions should be met:

1. Avoid over or undercharge. This is the single worst enemy of lead-acid batteries.
2. Batteries should not be stored in a discharged state or at elevated ambient temperatures.
3. Avoid exposing batteries to heat! Service life is shortened considerably at ambient above 30°C (86°F).
4. Due to the characteristics of this battery, after six to nine months of storage, the battery should be recharged.
5. Charge the battery at the proper rate. Current should be limited to 1.2 amps or less.
6. Provide adequate air circulation when charging battery. Do not charge battery in any other container besides the supplied battery box.
7. **▲ CAUTION** Do not place batteries in close proximity to objects which can produce sparks or flames.
8. Do not expose battery case to organic solvents or adhesives.
9. **▲ CAUTION** Do not attempt to disassemble batteries. Contact with sulfuric acid may cause harm.
10. **▲ CAUTION** Fasten batteries tightly and make provisions for shock absorption if exposure to shock or vibration is likely.
11. **▲ WARNING** Do not throw batteries into fire; batteries so disposed may rupture or explode.

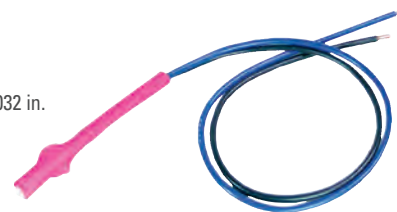
NOTE: Refer to Breakaway Switch Installation Instructions for complete operating instructions and cautionary statements.

# ABCD (ACCELERATED BATTERY CHARGING DEVICE)



## BATTERY DATA CHART

- Maximum charge current must be limited to 1.2 amps
- 12 Volt • Length = 3.54 in. Width = 2.76 in. Height = 4.13 in. • Terminals: Fasten Tab .187 in. x .032 in.
- Service Life: Under normal operating conditions, 4-5 years in standby applications or 200-1000 charge/discharge cycles depending upon depth of discharge and rate of charge. Maintenance Charger. Tekonsha charger 1024 is recommended for proper charging.



## READ THIS FIRST:

Check condition of battery prior to installation and prior to each trip.

## IMPORTANT FACTS TO REMEMBER

1. Remove Charger and Battery from the battery case.
2. Mount battery case securely to frame, jack post or other suitable location on trailer.
3. Bolt Breakaway Switch to frame of trailer or battery case bracket.
4. Disconnect trailer from tow vehicle. Install battery and charger into the battery case. Feed wires out the back, then close the top.
5. Wire per schematic diagram. Properly insulate all connections.
6. For Technical Assistance and Warranty Information call
7. **CAUTION** Improper installation of the breakaway battery will destroy the brake control. The **negative (-)** terminal must attach to ground and **positive (+)** terminal must attach to the breakaway switch.
8. **WARNING** Check your Breakaway System periodically to insure that wiring and connections are secure. A short or an open circuit can result in a no-brake condition.
9. If excessive discharging of the breakaway battery occurs, check battery and recharge using a Heavy Duty Multi Stage/Maintenance Charger. Tekonsha charger 2024-07 is recommended for proper charging.
10. If the secondary battery needs charging, current will be drawn from the tow vehicle's battery at anytime the tow vehicle is connected to the trailer. Tekonsha charger 2024-07 is recommended for proper charging.
11. To only charge the breakaway battery when vehicle is running, a battery isolator may be installed in the 12 volt supply line (RED wire for tow charger). after six to nine months of storage, the battery should be recharged.

## 12 VOLT SEALED LEAD-ACID BATTERY

To maximize the life of the battery the following conditions should be met:

1. Avoid over or undercharge. This is the single worst enemy of lead-acid batteries.
2. Batteries should not be stored in a discharged state or at elevated ambient temperatures.
3. Avoid exposing batteries to heat! Service life is shortened considerably at ambient above 30°C (86°F).
4. Due to the characteristics of this battery, after six to nine months of storage, the battery should be recharged.
5. Charge the battery at the proper rate. Current should be limited to 1.2 amps or less.
6. Provide adequate air circulation when charging battery. Do not charge battery in any other container besides the supplied battery box.
7. **CAUTION** Do not place batteries in close proximity to objects which can produce sparks or flames.
8. Do not expose battery case to organic solvents or adhesives.
9. **CAUTION** Do not attempt to disassemble batteries. Contact with sulfuric acid may cause harm.
10. **CAUTION** Fasten batteries tightly and make provisions for shock absorption if exposure to shock or vibration is likely.
11. **WARNING** Do not throw batteries into fire; batteries so disposed may rupture or explode.

NOTE: Refer to Breakaway Switch Installation Instructions for complete operating instructions and cautionary statements.



## BENCH TESTER INSTRUCTIONS

Many apparent brake control failures are the result of either faulty wiring or improper setup. The Tekonsha® Bench Tester is a test device designed to assist in determining if a brake control is working properly. This unit allows you to check a brake control for output, independent of vehicle wiring. The Bench Tester can simulate many fault conditions including open ground, short circuit, open load, and more.

### TO USE BENCH TESTER:

1. Turn off the power of the Bench Tester.
2. Disconnect the brake control from the tow vehicle.
3. Strip the insulation from the brake control's wires to about 1/4 inch and clip the matching color/function alligator clip of its corresponding stripped wire. **DO NOT REVERSE THE GROUND AND POWER WIRES AS YOU MAY PERMANENTLY DAMAGE THE BRAKE CONTROL**
4. Turn on the power of the Bench Tester.



### IF THE CONTROL BEING TESTED IS MANUFACTURED BY TEKONSHA:

1. The brake control's LED should glow green if it has a bi-colored LED. The display should show ac if it has a digital readout. If you have the P3 brake control, you will see the Tekonsha logo. These conditions indicate a normal load connection.
2. Now set the brake control's power setting to maximum and actuate the control's manual override lever. The output voltage on the Bench Tester's voltmeter should read about 12 volts and the brake control LED display should glow bright red or show either 12 or 13. Release the manual lever. Lay the control on a flat surface and follow the directions for leveling the sensor per manufacturer's instructions.
3. Depress and hold the Bench Tester's brake switch.
  - A. If you are testing a proportional control, tilt the brake control by moving the front of the control up to about 30-45 degrees to fully activate the accelerometer. The voltage on the tester's meter should again read approximately 12V.
  - B. If the control being tested is a time-actuated device, you will see the voltage progressively ramp-up to the control's maximum output.

*NOTE: If the brake control works normally on the Bench Tester then the problem is likely in the vehicle wiring or the control setup. If you check the vehicle/trailer wiring and it appears to be normal you can refer to our product catalog or visit our web site for control setup and / or additional troubleshooting assistance.*

**▲ CAUTION** Tekonsha controls are built to withstand many electrical fault conditions without damage to their ultimate performance. Please be aware that some competitive products may not be capable of surviving the same punishment so care should be exercised when testing these units.

## CURRENT MONITOR INSTRUCTIONS

The Current Monitor is a testing device designed to assist in determining whether a tow vehicle's trailer connector has been wired properly. This unit is also an excellent diagnostic tool for the installation, setup and troubleshooting of electric trailer brake controls and may be used to level and pre-set a brake control when a trailer is not available.

### TO USE CURRENT MONITOR:

1. Simply plug the tester into the vehicle's trailer connector.
2. Sitting in the driver's seat, position the switch (located between the amp meter & voltmeter gauges) to the "Trailer Brakes" position.
3. Then position the switch labeled "Number of Axles" to the appropriate position for the trailer that is expected to be towed.
4. Now, activate each function indicated by the four LED lights across the front of the test unit. Once it has been determined that all lighting connections are working properly, test the output of the vehicle's trailer brake control.
5. Depress the vehicle's brake pedal and/or engage the brake control's manual override.



*NOTE: Be sure the brake control has been properly leveled per manufacturer's instructions.*

Brake Voltage must register at least 10 Volts. Brake Control Current Output should register at least:

- 12 Amps for two (2) axle trailers, or 18 Amps for three (3) axle trailers.
- If you discover a performance or wiring problem, look for one or more of the following fault conditions:

1. Improper wiring of the brake control to the vehicle's power and/or battery ground. (As with any electronic device, Horizon Global Electrical Products recommends grounding all brake controls directly to the vehicle battery to ensure the proper performance of the control's advanced circuitry.)
2. Defective or improper wiring of the trailer connector.
3. Broken, dirty or corroded trailer connector pins.
4. Open brake magnets, or open, broken or shorted wiring.
5. Defective brake control. **▲ WARNING** This unit contains magnets, which may become hot if the unit is left connected to an energized brake control for more than a few minutes.

*NOTE: If the brake control will not generate 18 or more amps when used with three or more axle trailers BE SURE that you are using a brake control designed to deliver this performance.*

## TRAILER TESTER INSTRUCTIONS

The Trailer Tester (Part #8010) is designed to help you quickly identify problems in the wiring of the trailer such as opens, shorts, incorrect wiring, etc. This is done by testing the Left Turn, Right Turn, Tail/Marker, Brake and Back Up circuits on the trailer, by indicating the approximate amount of current used in each circuit. It will also test the voltage of the external battery connected to the trailer charge circuit (i.e. trailer battery).

### TO USE TRAILER TESTER:

1. Check to see that the mating surfaces of the trailer wiring connector matches the Trailer Tester connector. All connector surfaces should be clean and free of dirt. For proper operation, make sure the trailer tester battery is fully charged. Plug the trailer connector firmly into the Trailer Tester. Be sure that the connector is fully inserted.
2. Turn the tester ON by pressing the ON button. All LEDs will cycle in order from top to bottom and left to right and will flash once. The tester is ready for use.
3. Indicator LED lights – power row only (Measuring the internal battery of the tester – LED will remain lit after power has been turned on)
  - GREEN LEDs 2, 3 and 4 mean that the internal battery is OK to perform tests.
  - RED LED 1 flashing means that the internal battery needs to be charged (see Charging the Internal Battery instructions below) or may need to be replaced.
  - RED LED 5 indicates that the battery is faulty or overcharged. Battery may need to be replaced.
4. Charging the internal battery **▲ CAUTION** Only use the charger (part no. 8008) provided with the 8010 tester
  - When the charger is plugged into the charger socket, RED LED 5 on the Power Row flashes if the unit is ON.
  - If the unit is OFF, no LEDs will be lit, but the battery will still charge.
  - The LED on the charger is RED while charging.
  - The LED on the charger will turn GREEN when the battery is fully charged.



*NOTE: The trailer tester will not function while the internal battery is being charged.*

5. **MANUAL AND AUTO TEST** – LEFT/STOP, RIGHT/STOP, TAIL, BRAKE, BACKUP channels auto testing (measuring the amount of load on each channel):
  - Press the Auto Test button. When pressed, its indicator GREEN LED begins to flash.
  - Each channel will be tested from top to bottom
  - RED LED 5 will flash as its channel is tested
  - GREEN LED(s) will remain ON to indicate the amount of load. (See Step 6 for LED display load readouts)
  - See Step 7 for LED fault indication readouts. Manual Testing (visual test of trailer lighting)
  - Depressing any manual button will cause that same channel to flash 11 times. This will allow you to walk around the trailer and confirm that lights are functioning properly.
  - The Trailer Tester will automatically shut down after three minutes to conserve the battery.
  - See Step 7 for LED fault indication readouts.

*NOTE: To clear the display or turn off auto test, simply press the auto test button. Then you are ready to test again.*

6. How to read the LED display (for approximate load readouts)

#### LEFT/STOP, RIGHT/STOP AND BACKUP LOAD READOUTS:

- GREEN LED 1 represents .25 amps • GREEN LED 2 represents 2 amps • GREEN LED 3 represents 3 amps • GREEN LED 4 represents 4 amps

#### TAIL LOAD READOUT:

- GREEN LED 1 represents .25 amps • GREEN LED 2 represents 4 amps • GREEN LED 3 represents 6 amps • GREEN LED 4 represents 8 amps

#### BRAKE LOAD READOUT:

- GREEN LED 1 represents 1 axle • GREEN LED 2 represents 2 axles • GREEN LED 3 represents 3 axles • GREEN LED 4 represents 4 axles

*NOTE: All current measurements are standard to RV.*

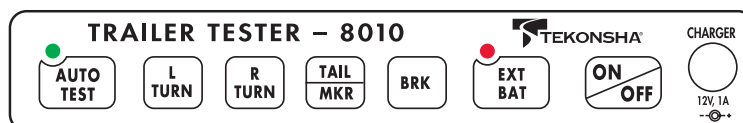
7. **FAULT INDICATION** (See graph below)

- RED LED(s) 5 flashing on the affected channel represents: INTERCHANNEL SHORT OR REVERSE WIRES
- RED LED 5 solid on the affected channel represents: NO LOAD/OPEN CIRCUIT
- GREEN LEDs 1-4 and RED LED 5 all solid on the affected channel represents: OVERLOAD
- GREEN LEDs 1-4 and RED LED 5 flashing on the affected channel represents: SHORT CIRCUIT TO GROUND

8. **EXTERNAL BATTERY** (Measures the trailer battery's (if present) open circuit voltage)

- Press the EXT BAT button. When pressed, its indicator RED LED will light.
- Voltage will be displayed by lit LEDs in the Power Row only.
- GREEN LEDs 2 and 3 mean that the external battery has normal voltage.
- RED LED 1 flashing means that the external battery needs to be charged or may need replacement.
- RED LED 5 indicates that the battery is faulty or overcharged. Battery may need replacement.

*NOTE: This test will automatically stop after a few seconds and the red light will go out. This test does not indicate the amount of charge left in the trailer battery. (Excludes breakaway battery)*





# BRAKE CONTROLS

Your one-stop source for electric brake controllers. Tekonsha® manufactures several electric brake controllers, one or more of which are designed to meet your unique requirements for operational control, weight class, hauling vehicle capabilities, or other factors.

Many styles of electric brake controllers are available that differ in how they look, and the number of brakes they can power, but all of them can be assigned to one of two main groups, Proportional brake controllers, or time delayed brake controllers. Their ease of operation and innovative design features make them the perfect choices for your towing needs.

Smooth, predictable stopping at all speeds has made the Tekonsha® brake controls the best in class and most popular on the market. No matter what you are towing, Tekonsha® will help you stop it.

## PROPORTIONAL BRAKE CONTROLS

Prodigy® ID .....	D-2
Prodigy® RF .....	D-2
P3® .....	D-3
Prodigy® P2 .....	D-3
Primus® IQ .....	D-3
Voyager® .....	D-4
I-Stop™ IQ .....	D-4
I-Command™ .....	D-4

## TIMED BRAKE CONTROLS

Activator® IV .....	D-5
Activator® .....	D-5
Brakeman® IV .....	D-5
Brakeman® Compact .....	D-6
POD™ and Pilot® .....	D-6

## BRAKE CONTROL ACCESSORIES

Brake Mate™ Kits .....	D-8
Pulse Preventer .....	D-8
Replacement Wiring Harnesses .....	D-8

## BRAKE CONTROL WIRING HARNESSES

Wiring Harnesses .....	D-8
Application Guide .....	D-9 - D-12
Electrical Positions .....	D-12

## TECHNICAL INFORMATION .....

D-13 - D-16
-------------

# NEW



90920

## PRODIGY® ID

Take complete control with the Prodigy® ID, the latest in brake control technology. The in-dash rotary knob seamlessly integrates into your vehicle and features a digital diagnostic readout so you can adjust settings at your fingertips.

- The Tekonsha® EDGE™ mobile app provides even more customization, letting you store settings for multiple trailers and drivers switch between proportional or timed braking, receive real-time diagnostics and alerts and more!
- Easy-to-read diagnostics and alerts
- Manual override using rotary knob
- Works proportional in reverse
- Suitable for any trailer with up to 4 braking axles



Part Number	Description	Packaging	Master Carton
90920	Prodigy ID	Litho Box	1

NOW WITH BLUETOOTH WIRELESS COMMUNICATION!



902502

## PRODIGY® RF

The perfect shared-trailer solution. If you take to the road with multiple vehicles, there's really only one solution: Prodigy® RF

### On the Trailer (Power Module Unit):

- Power module uses standard RV blade style 7-Way truck and trailer connectors
- Trailer power module is watertight and is powered through 7-Way cable from the tow vehicle
- Multiple mounting options on the tongue or front of the trailer
- Trailer mounted power module has a 15-year limited warranty (limited 1-year warranty on cord)
- For 1 to 3 axle trailers



### In the Tow Vehicle (Hand Held Unit):

- Wireless communication between the remote handheld unit and trailer mounted power module eliminates the need for under dash wiring
- Easy to see LED display for trailer brake voltage, power output and diagnostics
- Easy to use remote handheld control; includes the Prodigy® "Boost" system to allow for different levels of customized braking
- Unit provides continual diagnostic scanning with a visual warning display
- Handheld unit plugs into any standard 12-volt power accessory adapter
- Handheld unit has a limited 5-year warranty

90255



Part Number	Description	Packaging	Master Carton
902502	Prodigy RF Trailer Mount Brake Control with Handheld Unit with Bluetooth Wireless Communication	Litho Box	2
<b>Replacement Part</b>			
90255	Prodigy RF Bluetooth Remote Handheld Unit	Clamshell	3

**PROPORTIONAL**



90195

*NOTE: Plug & Play feature allows quick and easy connection. It adapts to all Tekonsha 2-Plug vehicle specific brake control wiring harnesses. See application guide on page D-9 for vehicle specific applications.*

**P3®**

- Five storable setting options for pulling different trailers or preferences of multiple drivers
- A distinct, easy-to-read LCD display with multiple screen color options
- “Up-Front” controls provide easy access to all P3® features
- Easy to understand diagnostics show output current, battery/brake/output voltage
- Select electric over hydraulic or electric trailer brake mode
- Screen information display in English, French or Spanish
- “The Original Boost” feature allows for customized braking
- For 1 to 4 axle trailers



Part Number	Description	Packaging	Master Carton
90195	P3 Proportional Electronic Trailer Brake Control	Litho Box	20
Replacement Parts			
5901TEK	Snap-In Dash Mounting Clip	Bulk	300
5904	T-Slot Mounting Bracket	Bulk	1,000
5906	T-Slot Mounting Bracket with Snap-In Dash Mounting Clip	Poly Bag	10
7894	3 ft. Pigtail Harness Kit	Clamshell	20



90885

*NOTE: For installation and wiring instructions, see pages D-13 - D-16*

**PRODIGY® P2**

- Auto dim feature allows for better viewing, day or night
- Reverse battery protection for both vehicle and breakaway
- Designed to work with electric over hydraulic brake systems
- Digital display depicts voltage delivery to trailer during braking
- No level adjustment necessary, adjusts itself to varying terrain
- Works proportionally in reverse with the ability to disable
- “The Original Boost” feature allows for customized braking
- For 1 to 4 axle trailers



Part Number	Description	Packaging	Master Carton
90885	Prodigy P2 Proportional Electronic Trailer Brake Control	Litho Box	20
Replacement Parts			
7686	Dash Mounting Pocket Kit	Boxed	20
7685	T-Slot Mounting Bracket	Clamshell	10
7894	3 ft. Pigtail Harness Kit	Clamshell	20



90160

**PRIMUS® IQ**

- Works proportionally in reverse
- No level adjustment necessary, adjusts to varying terrain
- Digital display shows voltage to trailer during braking
- Diagnostic features incorporated in LED display
- “The Original Boost” feature allows for customized braking
- For 1 to 3 axle trailers



Part Number	Description	Packaging	Master Carton
90160	Primus IQ Proportional Electronic Trailer Brake Control	Litho Box	20
Replacement Parts			
6927	Snap-In Dash Mounting Clip	Bulk	384
5280	T-Slot Mounting Bracket	Bulk	480
7894	3 ft. Pigtail Harness Kit	Clamshell	20



20191

NOTE: Plug & Play feature allows quick and easy connection. It adapts to all Tekonsha 2-Plug vehicle specific brake control wiring harnesses.

See application guide on page D-9 for vehicle specific applications.

### I-STOP™ IQ

- Self-diagnostics features will illuminate LED readout when issues occur
- Includes a “Boost” feature
- Works proportionally in reverse
- Integrated Plug & Play port for 2-Plug adapters
- Snap-in mounting clip allows user to remove and store the control when not in use
- For 1 to 3 axle trailers



Part Number	Description	Packaging	Master Carton
20191	I-Stop IQ Proportional Electronic Trailer Brake Control	Clamshell	20
<b>Replacement Parts</b>			
6927	Snap-In Dash Mounting Clip	Bulk	384
5280	T-Slot Mounting Bracket	Bulk	480
7894	3 ft. Pigtail Harness Kit	Clamshell	20



9030

NOTE: For installation and wiring instructions, see pages D-13 - D-16

### VOYAGER®

- Broad control range makes setting quick and easy
- As braking power is applied, the LED changes color gradually from green (completed circuit) to red, to indicate relative braking power
- Advanced electronics minimize false braking for smoother ride
- Plug & Play feature allows quick and easy connection
- Includes mounting bracket, hardware and 1 ft. pigtail harness
- For 1 to 4 axle trailers



Part Number	Description	Packaging	Master Carton
9030	Voyager Proportional Electronic Trailer Brake Control	Litho Box	20
<b>Replacement Parts</b>			
2178	T-Slot Mounting Bracket	Poly Bag	10



5535

### I-COMMAND™

- Proportional brake control
- Boost feature gives the ability to apply more initial trailer braking
- Reverse battery protection
- No level adjustment necessary
- Diagnostics features incorporated in LED display
- Plug & Play feature allows for quick and easy connection
- Includes mounting bracket, hardware and 1 ft. pigtail harness
- For 1 to 4 axle trailers



Part Number	Description	Packaging	Master Carton
5535	I-Command Proportional Electronic Trailer Brake Control	Clamshell	12
<b>Replacement Parts</b>			
20059	T-Slot Mounting Bracket	Poly Bag	20
20127	1 ft. Pigtail Harness	Clamshell	20



5504

NOTE: Plug & Play feature allows quick and easy connection. It adapts to all Tekonsha 2-Plug vehicle specific brake control wiring harnesses. See application guide on page D-9 for vehicle specific applications.

### ACTIVATOR® IV

- Digital output indicator
- Small, compact design
- Up-front push buttons for sync and output
- Diagnostics for overload, open ground
- Short circuit protected
- Mounts in any direction
- No leveling required
- Smooth and simple installation
- Plug & Play feature allows quick and easy connection
- Includes mounting bracket, hardware and 1 ft. pigtail harness
- For 1 to 4 axle trailers



Part Number	Description	Packaging	Master Carton
5504	Activator IV Timed Electronic Trailer Brake Control	Clamshell	12
Replacement Parts			
20059	T-Slot Mounting Bracket	Poly Bag	20
20127	1 ft. Pigtail Harness	Clamshell	20



5100

NOTE: For installation and wiring instructions, see pages D-13 - D-16

### ACTIVATOR®

- Illuminated LED output indicator
- Slide adjustment output control
- Plug & Play feature allows quick and easy connection
- Includes mounting bracket, hardware and 1 ft. pigtail harness
- For 1 to 2 axle trailers



Part Number	Description	Packaging	Master Carton
5100	Activator Timed Electronic Trailer Brake Control	Clamshell	12
Replacement Parts			
20060	T-Slot Mounting Bracket	Poly Bag	20
20127	1 ft. Pigtail Harness	Clamshell	20



83504

### BRAKEMAN® IV

- Digital output indicator
- Up-front push buttons for sync and output
- Diagnostics for overload, open ground
- Short circuit protected
- Mounts in any direction, no leveling required
- Smooth and simple installation
- Plug & Play feature allows quick and easy connection
- Includes mounting bracket, hardware and 1 ft. pigtail harness
- For 1 to 4 axle trailers



Part Number	Description	Packaging	Master Carton
83504	Brakeman IV Timed Electronic Trailer Brake Control	Clamshell	12
Replacement Parts			
20059	T-Slot Mounting Bracket	Poly Bag	20
20127	1 ft. Pigtail Harness	Clamshell	20



83501

### BRAKEMAN<sup>®</sup> COMPACT

- Illuminated LED output indicator
- Slide adjustment output control
- “Up-front” manual over-ride control
- Smooth and simple installation
- Plug & Play feature allows quick and easy connection
- Includes mounting bracket, hardware and 1 ft. pigtail harness
- For 1 to 2 axle trailers



Part Number	Description	Packaging	Master Carton
83501	Brakeman Compact Timed Electronic Trailer Brake Control	Clamshell	12
<b>Replacement Parts</b>			
20060	T-Slot Mounting Bracket	Poly Bag	20
20127	1 ft. Pigtail Harness	Clamshell	20

NOTE: Plug & Play feature allows quick and easy connection. It adapts to all Tekonsha 2-Plug vehicle specific brake control wiring harnesses.

See application guide on page D-9 for vehicle specific applications.



80500

### POD<sup>™</sup>

- The POD™ (Power on Demand) is your best choice for 1 or 2 axle trailers, especially when your installation options are limited
- “Up-front” manual over-ride control
- Power-on LED for a positive tow vehicle-to-trailer connection
- Rugged, easy mount chassis
- Solid state electronics
- Plug & Play feature allows quick and easy connection
- Includes mounting bracket, hardware and 1 ft. pigtail harness
- For 1 to 2 axle trailers



Part Number	Description	Packaging	Master Carton
80500	POD Timed Electronic Trailer Brake Control	Clamshell	20
<b>Replacement Parts</b>			
2178	T-Slot Mounting Bracket	Poly Bag	10
20127	1 ft. Pigtail Harness	Clamshell	20

NOTE: For installation and wiring instructions, see pages D-13 - D-16



80550

### PILOT<sup>®</sup>

- Large easy to read dual digital display
- Dark smoke lens ideal for direct light applications; performs better than red lens
- Microprocessor allows control to be mounted upside down and still have a readable display
- Protection against short circuit and loss of ground
- For use on any 12 volt negative ground system
- Plug & Play feature allows quick and easy connection
- Includes mounting bracket, hardware and 1 ft. pigtail harness
- For 1 to 3 axle trailers



Part Number	Description	Packaging	Master Carton
80550	Pilot Timed Electronic Trailer Brake Control	Clamshell	20
<b>Replacement Parts</b>			
5298	Dash Pivot Mounting Kit	Clamshell	35
5280	T-Slot Mounting Bracket	Bulk	480
20127	1 ft. Pigtail Harness	Clamshell	20



### BRAKE MATE™ KITS

Includes all necessary parts required to completely install all brake controls. Each Brake Mate™ Kit includes:

- (1) Pre-wired 7-Way connector
- (1) Heavy duty flasher
- (2) Heavy duty breakers
- (1) Integrated 4-Flat trailer end
- (8) Self tapping screws
- (6) Tie straps
- (5) Scotch locks
- (7) Ring connectors



118607

Part Number	Description	Packaging	Master Carton
118607	7-Way Brake Mate Kit, Flat Pin	Clamshell	12
20505	Wiring Kit for 1 - 2 Axles Brake Control Systems, Includes 25 ft. 12-2 Duplex Wire, 20 Amp Circuit Breaker and Attaching Terminals	Clamshell	12
20506	Wiring Kit for 3 - 4 Axles Brake Control Systems, Includes 25 ft. 10-2 Duplex Wire, 30 Amp Circuit Breaker and Attaching Terminals	Clamshell	12

### PULSE PREVENTER

- Immunizes against the effects of 4-way flashers on some brake controls
- For use with all electronic brake controls



20501

Part Number	Description	Packaging	Master Carton
20501	Pulse Preventer	Clamshell	20

### REPLACEMENT WIRING HARNESSES

- Fits all Tekonsha®, Draw-Tite® and REESE® brake controls



7865



7894

Part Number	Description	Packaging	Master Carton
7865	3 ft. Pigtail Harness with Diode	Clamshell	20
7894	3 ft. Pigtail Harness	Clamshell	20
20127	1 ft. Pigtail Harness	Clamshell	20
20127-012	1 ft. Pigtail Harness, (12 Pack)	Bulk	1
20160	5 ft. Pigtail Harness	Clamshell	12
20160-012	5 ft. Pigtail Harness, (12 Pack)	Bulk	1

## WIRING HARNESSES APPLICATIONS

## BRAKE CONTROL WIRING HARNESSES

- All vehicle specific brake control wiring harnesses are available in 1-Plug or 2-Plug styles
- 1-Plug units are designed for brake controls manufactured with electrical wiring mounted on the back of the unit, otherwise known as a pigtail. Wiring harnesses must be spliced into the existing pigtail to allow the vehicle specific plug to be installed.
- 2-Plug units are designed for brake controls that have a wiring port built into the back of the unit. Simply plug the brake control end of the wiring harness into the back of the brake control and the vehicle end into the automobile's port. Brake controls that utilize the 2-Plug style of wiring harness will be identified with the Plug & Play logo.
- See application guide for vehicle specific harnesses

Make/Model	Years	Pos.	1-Plug	2-Plug Clam	2-Plug Bulk
<b>ACURA</b>					
MDX	13-20	BP1		3028-P	3028
<b>AUDI</b>					
Q5	18-20	BP7		3072-P	
Q7	07-20	BP7		3072-P	
SQ5	14-20	BP7		3072-P	
<b>BMW</b>					
X5 with Factory 7-Way	07-20	BP11		3037-P	
<b>BUICK</b>					
Enclave with Factory 7-Way	08-17	BP1	3026-S	3026-P	3026
<b>CADILLAC</b>					
Escalade	02	BP1	3025-S	3025-P	3025
Escalade	03-06	BP1	3015-S	3015-P	3015
Escalade	15-20	BP2	3016-S	3016-P	3016
Escalade ESV	03-06	BP1	3015-S	3015-P	3015
Escalade EXT	02	BP1	3025-S	3025-P	3025
Escalade EXT	03-06	BP1	3015-S	3015-P	3015
<b>CHEVROLET</b>					
Avalanche 1500	02	BP1	3025-S	3025-P	3025
Avalanche 1500	03-06	BP1	3015-S	3015-P	3015
Avalanche 2500	02	BP1	3025-S	3025-P	3025
Avalanche 2500	03-06	BP1	3015-S	3015-P	3015
Silverado 1500	99-02	BP1	3025-S	3025-P	3025
Silverado 1500	03-06	BP1	3015-S	3015-P	3015
Silverado 1500	14-18	BP2	3016-S	3016-P	3016
Silverado 1500 (Classic)	07	BP1	3015-S	3015-P	3015
Silverado 1500 (New Body Style)	19-21	BP1		3064-P	3064
Silverado 1500 HD	01-02	BP1	3025-S	3025-P	3025
Silverado 1500 HD	03-06	BP1	3015-S	3015-P	3015
Silverado 1500 HD (Classic)	07	BP1	3015-S	3015-P	3015
Silverado 2500	99-02	BP1	3025-S	3025-P	3025
Silverado 2500	03-04	BP1	3015-S	3015-P	3015
Silverado 2500 HD	01-02	BP1	3025-S	3025-P	3025
Silverado 2500 HD	03-06	BP1	3015-S	3015-P	3015
Silverado 2500 HD	15-19	BP2	3016-S	3016-P	3016
Silverado 2500 HD	20-21	BP1		3064-P	3064
Silverado 2500 HD (Classic)	07	BP1	3015-S	3015-P	3015
Silverado 3500	01-02	BP1	3025-S	3025-P	3025
Silverado 3500	03-06	BP1	3015-S	3015-P	3015
Silverado 3500 (Classic)	07	BP1	3015-S	3015-P	3015
Silverado 3500 HD	15-19	BP2	3016-S	3016-P	3016
Silverado 3500 HD	20	BP1		3064-P	3064
Suburban	15-20	BP2	3016-S	3016-P	3016

Make/Model	Years	Pos.	1-Plug	2-Plug Clam	2-Plug Bulk
<b>CHEVROLET (continued)</b>					
Suburban 1500	03-06	BP1	3015-S	3015-P	3015
Suburban 1500 with Amber Turn Signals	00-02	BP1	3025-S	3025-P	3025
Suburban 2500	03-06	BP1	3015-S	3015-P	3015
Suburban 2500 with Amber Turn Signals	00-02	BP1	3025-S	3025-P	3025
Tahoe	03-06	BP1	3015-S	3015-P	3015
Tahoe	15-20	BP2	3016-S	3016-P	3016
Tahoe with Amber Turn Signals	00-02	BP1	3025-S	3025-P	3025
Traverse with Factory 7-Way	09-18	BP1	3026-S	3026-P	3026
<b>CHRYSLER</b>					
Aspen with Factory Tow Package	07-09	BP2	3020-S	3020-P	3020
Pacifica with Factory 7-Way	17-20	BP4	3045-S	3045-P	3045
<b>DODGE</b>					
Dakota with Factory Tow Package	97-10	BP2	3020-S	3020-P	3020
Durango with Factory Tow Package	98-09	BP2	3020-S	3020-P	3020
Durango with Factory Tow Package	11-20	BP2	3045-S	3045-P	3045
Ram 1500	95-09	BP2	3020-S	3020-P	3020
Ram 1500	10	BP1	3021-S	3021-P	3021
Ram 2500	95-09	BP2	3020-S	3020-P	3020
Ram 2500	10	BP1	3021-S	3021-P	3021
Ram 3500	95-09	BP2	3020-S	3020-P	3020
Ram 3500	10	BP1	3021-S	3021-P	3021
Sprinter 2500	07-09	BP10		3063-P	3063
Sprinter 3500	07-09	BP10		3063-P	3063
<b>FORD</b>					
Bronco	94-96	BP3	3035-S	3035-P	3035
E-150 Econoline	92-08	BP3	3035-S	3035-P	3035
E-150 Econoline	09-14	BP7	3034-S	3034-P	3034
E-250 Econoline	92-08	BP3	3035-S	3035-P	3035
E-250 Econoline	09-14	BP7	3034-S	3034-P	3034
E-350 Econoline	92-08	BP3	3035-S	3035-P	3035
E-350 Econoline RV Cutaway, with Factory Tow Prep Plug	92-08	BP3	3035-S	3035-P	3035
E-350 Econoline Super Duty RV Cutaway, with Factory Tow Prep Plug	09-11	BP7	3034-S	3034-P	3034
E-350 Econoline Super Duty	09-14	BP7	3034-S	3034-P	3034
E-450 Econoline Super Duty RV Cutaway, with Factory Tow Prep Plug	03-08	BP3	3035-S	3035-P	3035
E-450 Econoline Super Duty RV Cutaway, with Factory Tow Prep Plug	09-11	BP7	3034-S	3034-P	3034
E-450 Econoline Super Duty Stripped RV Cutaway, with Factory Tow Prep Plug	00-02	BP3	3035-S	3035-P	3035

Make/Model	Years	Pos.	1-Plug	2-Plug Clam	2-Plug Bulk
<b>FORD (continued)</b>					
Excursion	00-05	BP3	3035-S	3035-P	3035
Expedition	97-12	BP3	3035-S	3035-P	3035
Expedition	13-14	BP5	3034-S	3034-P	3034
Expedition	15-17	BP3	3036-S	3036-P	3036
Expedition	18-20	BP7		3077-P	3077
Explorer with Factory Tow Package	02-20	BP2	3035-S	3035-P	3035
Explorer Sport Trac with Factory Tow Package	07-10	BP2	3035-S	3035-P	3035
F-150	94-08	BP3	3035-S	3035-P	3035
F-150	09-20	BP3	3036-S	3036-P	3036
F-150 Heritage	04	BP3	3035-S	3035-P	3035
F-250	94-96	BP3	3035-S	3035-P	3035
F-250 Heavy Duty	97	BP3	3035-S	3035-P	3035
F-250 Styleside	97-99	BP3	3035-S	3035-P	3035
F-250 Super Duty	99-04	BP3	3035-S	3035-P	3035
F-250 Super Duty	05-07	BP5	3065-S	3065-P	3065
F-250 Super Duty	08-16	BP3	3034-S	3034-P	3034
F-250 Super Duty	17-20	BP3	3036-S	3036-P	3036
F-350	94-96	BP3	3035-S	3035-P	3035
F-350 Heavy Duty	97	BP3	3035-S	3035-P	3035
F-350 Super Duty	99-04	BP3	3035-S	3035-P	3035
F-350 Super Duty	05-07	BP5	3065-S	3065-P	3065
F-350 Super Duty	08-16	BP3	3034-S	3034-P	3034
F-350 Super Duty	17-20	BP3	3036-S	3036-P	3036
F-350 Super Duty Cab & Chassis	05-07	BP5	3065-S	3065-P	3065
F-350 Super Duty Cab & Chassis	08-16	BP3	3034-S	3034-P	3034
F-450 Super Duty	08-16	BP3	3034-S	3034-P	3034
F-450 Super Duty	17-20	BP3	3036-S	3036-P	3036
F-450 Super Duty Cab & Chassis	99-04	BP3	3035-S	3035-P	3035
F-450 Super Duty Cab & Chassis	05-07	BP5	3065-S	3065-P	3065
F-450 Super Duty Cab & Chassis	08-16	BP3	3034-S	3034-P	3034
F-550 Super Duty	17-20	BP3	3036-S	3036-P	3036
F-550 Super Duty Cab & Chassis	99-04	BP3	3035-S	3035-P	3035
F-550 Super Duty Cab & Chassis	05-07	BP5	3065-S	3065-P	3065
F-550 Super Duty Cab & Chassis	08-20	BP3	3034-S	3034-P	3034
Flex with Factory Tow Package	09-11	BP2	3035-S	3035-P	3035
Flex with Factory Tow Package	12-20	BP5	3036-S	3036-P	3036
Windstar with Factory Tow Package	95-03	BP3	3035-S	3035-P	3035
<b>FREIGHTLINER</b>					
SL	04-20			3027-P	3027
Sprinter 1500	12-20	BP10		3030-P	3030
Sprinter 2500	07-20	BP10		3063-P	3063
Sprinter 3500	07-20	BP10		3063-P	3063
XC	04-20			3027-P	3027
<b>GMC</b>					
Acadia with Factory 7-Way	07-18	BP1	3026-S	3026-P	3026
Acadia Limited with Factory 7-Way	17	BP1	3026-S	3026-P	3026
Sierra 1500	99-02	BP1	3025-S	3025-P	3025
Sierra 1500	03-06	BP1	3015-S	3015-P	3015
Sierra 1500 (Classic)	07	BP1	3015-S	3015-P	3015
Sierra 1500 (New Body Style)	19-20	BP1		3064-P	3064

Make/Model	Years	Pos.	1-Plug	2-Plug Clam	2-Plug Bulk
<b>GMC (continued)</b>					
Sierra 1500 LD (Old Body Style)	14-19	BP2	3016-S	3016-P	3016
Sierra 1500 HD	01-02	BP1	3025-S	3025-P	3025
Sierra 1500 HD	03-06	BP1	3015-S	3015-P	3015
Sierra 1500 HD (Classic)	07	BP1	3015-S	3015-P	3015
Sierra 2500	99-02	BP1	3025-S	3025-P	3025
Sierra 2500	03-04	BP1	3015-S	3015-P	3015
Sierra 2500 HD	01-02	BP1	3025-S	3025-P	3025
Sierra 2500 HD	03-06	BP1	3015-S	3015-P	3015
Sierra 2500 HD	15-19	BP2	3016-S	3016-P	3016
Sierra 2500 HD	20	BP1		3064-P	3064
Sierra 2500 HD (Classic)	07	BP1	3015-S	3015-P	3015
Sierra 3500	01-02	BP1	3025-S	3025-P	3025
Sierra 3500	03-06	BP1	3015-S	3015-P	3015
Sierra 3500 (Classic)	07	BP1	3015-S	3015-P	3015
Sierra 3500 HD	15-19	BP2	3016-S	3016-P	3016
Sierra 3500 HD	20	BP1		3064-P	3064
Yukon	03-06	BP1	3015-S	3015-P	3015
Yukon	15-20	BP2	3016-S	3016-P	3016
Yukon with Amber Turn Signals	00-02	BP1	3025-S	3025-P	3025
Yukon Denali	03-06	BP1	3015-S	3015-P	3015
Yukon Denali with Amber Turn Signals	01-02	BP1	3025-S	3025-P	3025
Yukon XL 1500	00-02	BP1	3025-S	3025-P	3025
Yukon XL 1500	03-06	BP1	3015-S	3015-P	3015
Yukon XL 1500 Denali	01-02	BP1	3025-S	3025-P	3025
Yukon XL 1500 Denali	03-06	BP1	3015-S	3015-P	3015
Yukon XL 2500	00-02	BP1	3025-S	3025-P	3025
Yukon XL 2500	03-06	BP1	3015-S	3015-P	3015
<b>HONDA</b>					
Pilot with Factory Tow Package	09-20	BP1	3070-S	3070-P	3070
Ridgeline with Factory Tow Package	06-14	BP1	3070-S	3070-P	3070
Ridgeline with Factory Tow Package	17-20	BP1	3070-S	3070-P	3070
<b>HUMMER</b>					
H2	03-07	BP1	3015-S	3015-P	3015
<b>INFINITI</b>					
QX56	04-13	BP1	3050-S	3050-P	3050
QX80	14-20	BP3		3050-P	3050
<b>JEEP</b>					
Cherokee	14-20	BP1	3014-S	3014-P	3014
Gladiator	20-21	BP4		3073-P	3073
Grand Cherokee with Factory Tow Package	11-20	BP2	3045-S	3045-P	3045
Wrangler JL (New Body Style)	18-21	BP4		3073-P	3073
<b>KIA</b>					
Borrego	09-11	BP4		3032-P	3032
<b>LAND ROVER</b>					
LR3	05-09	BP3	3035-S	3035-P	3035
LR4	10-20	BP3	3035-S	3035-P	3035
Range Rover	05-14	BP3	3035-S	3035-P	3035
Range Rover	15	BP3	3035-S	3035-P	3035
Range Rover Evoque	12-19	BP2	3035-S	3035-P	3035

## WIRING HARNESS APPLICATIONS

Make/Model	Years	Pos.	1-Plug	2-Plug Clam	2-Plug Bulk
<b>LAND ROVER (continued)</b>					
Range Rover Sport	20	BP3	3035-S	3035-P	3035
<b>LEXUS</b>					
GX460	10-20	BP4	3040-S	3040-P	3040
GX470	03-09	BP3	3040-S	3040-P	3040
LX470	03-07	BP3	3040-S	3040-P	3040
LX570	08-11	BP3	3040-S	3040-P	3040
LX570	13-20	BP4	3040-S	3040-P	3040
<b>LINCOLN</b>					
Aviator with Factory Tow Package	03-05	BP6	3035-S	3035-P	3035
Mark LT	06-08	BP3	3035-S	3035-P	3035
MKT with Factory Tow Package	10-11	BP1	3035-S	3035-P	3035
MKT with Factory Tow Package	12-20	BP1	3036-S	3036-P	3036
Navigator	98-12	BP3	3035-S	3035-P	3035
Navigator	13-14	BP3	3034-S	3034-P	3034
Navigator	15-20	BP1	3036-S	3036-P	3036
<b>MERCEDES-BENZ</b>					
GL350 with Factory Tow Package	12-20	BP2		3066-P	3066
GL450 with Factory Tow Package	12-20	BP2		3066-P	3066
GL550 with Factory Tow Package	12-20	BP2		3066-P	3066
GLE43 AMG with Factory Tow Package	17-20	BP2		3066-P	3066
GLE550 with Factory Tow Package	16-20	BP2		3066-P	3066
GLE63 AMG with Factory Tow Package	16-20	BP2		3066-P	3066
GLS450 with Factory Tow Package	17-20	BP2		3066-P	3066
GLS550 with Factory Tow Package	17-20	BP2		3066-P	3066
GLS63 AMG with Factory Tow Package	17-20	BP2		3066-P	3066
ML250 with Factory Tow Package	15-20	BP2		3066-P	3066
ML350 with Factory Tow Package	12-20	BP2		3066-P	3066
ML400 with Factory Tow Package	15-20	BP2		3066-P	3066
Sprinter	07-11	BP10		3063-P	3063
Sprinter (Except 2500 & 3500)	12-20	BP10		3030-P	3030
Sprinter 1500	19-20	BP10		3030-P	3030
Sprinter 2500	12-20	BP10		3063-P	3063
Sprinter 3500	12-20	BP10		3063-P	3063
<b>MERCURY</b>					
Mountaineer with Factory Tow Package	02-10	BP2	3035-S	3035-P	3035
<b>NISSAN</b>					
Armada	05-20	BP1	3050-S	3050-P	3050
Frontier	05-20	BP3	3050-S	3050-P	3050
NV1500	13-20	BP1	3050-S	3050-P	3050
NV2500	13-20	BP1	3050-S	3050-P	3050
NV3500	13-20	BP1	3050-S	3050-P	3050
Pathfinder	05-20	BP3	3050-S	3050-P	3050
Pathfinder Armada	04	BP1	3050-S	3050-P	3050
Titan Except Titan XD	04-20	BP1	3050-S	3050-P	3050
Xterra with Factory Tow Package	05-15	BP3	3050-S	3050-P	3050
<b>PORSCHE</b>					
Cayenne	04-20	BP3		3072-P	

Make/Model	Years	Pos.	1-Plug	2-Plug Clam	2-Plug Bulk
<b>RAM</b>					
1500	11-12	BP1	3021-S	3021-P	3021
1500	13-14	BP3 BP8	3023-S	3023-P 30234-P	3023
1500 (Classic)	13-20	BP9		30235-P	30235
1500 (Classic)	15-20	BP2		3024-P	3024
2500	11-12	BP1	3021-S	3021-P	3021
2500	13-14	BP3 BP8	3023-S	3023-P 30234-P	3023
2500	13-21	BP9		30235-P	30235
2500	15-21	BP2		3024-P	3024
3500	11-12	BP1	3021-S	3021-P	3021
3500	13-14	BP3 BP8	3023-S	3023-P 30234-P	3023
3500	13-21	BP9		30235-P	30235
3500	15-21	BP2		3024-P	3024
Dakota with Factory Tow Package	11	BP2	3020-S	3020-P	3020
3500	11-12	BP1	3021-S	3021-P	3021
3500	13-14	BP3 BP8	3023-S	3023-P 30234-P	3023
3500	13-20	BP9		30235-P	30235
3500	15-20	BP2		3024-P	3024
Dakota with Factory Tow Package	11	BP2	3020-S	3020-P	3020
<b>SATURN</b>					
Outlook with Factory 7-Way	07-09	BP1	3026-S	3026-P	3026
<b>SUBARU</b>					
Ascent	19-20	SUV3		3062-P	3062
<b>TOYOTA</b>					
4Runner	03-13	BP4	3040-S	3040-P	3040
4Runner	14-21	BP4		3041-P	3041
Land Cruiser	03-11	BP3	3040-S	3040-P	3040
Land Cruiser	13-21	BP3	3040-S	3040-P	3040
Sequoia	03-20	BP4	3040-S	3040-P	3040
Tacoma	07-15	BP4	3040-S	3040-P	3040
Tacoma	16-20	BP7	3031-S	3031-P	3031
Tundra	03-14	BP4	3040-S	3040-P	3040
Tundra	15-17	BP7	3031-S	3017-P	3017
<b>VOLKSWAGEN</b>					
Atlas	18-20	BP4		3072-P	
Touareg	04-20	BP1		3072-P	

## NOTES:

- 1-Plug units are designed for brake controls manufactured with electrical wiring mounted on the back of the unit, otherwise known as a pigtail. Wiring harnesses must be spliced into the existing pigtail to allow the vehicle specific plug to be installed.
- 2-Plug units are designed for brake controls that have a wiring port built into the back of the unit. Simply plug the brake control end of the wiring harness into the back of the brake control and the vehicle end into the automobile's port. Brake controls that utilize the 2-plug style of wiring harness will be identified with the Plug & Play logo.

## ELECTRICAL POSITIONS



**BP1** - Under or behind dash, to the left or right of the emergency brake pedal.

**BP2** - Under or behind dash to the left of the steering column and brake pedal.

**BP3** - Under or behind dash to the right of the steering column and brake pedal.

**BP4** - Kick panel area, on the driver's side.

**BP5** - Under or behind dash, behind the center console.

**BP6** - Under or behind dash on the passenger side, near glovebox.

**BP7** - Centered behind dash between the steering column and the radio.

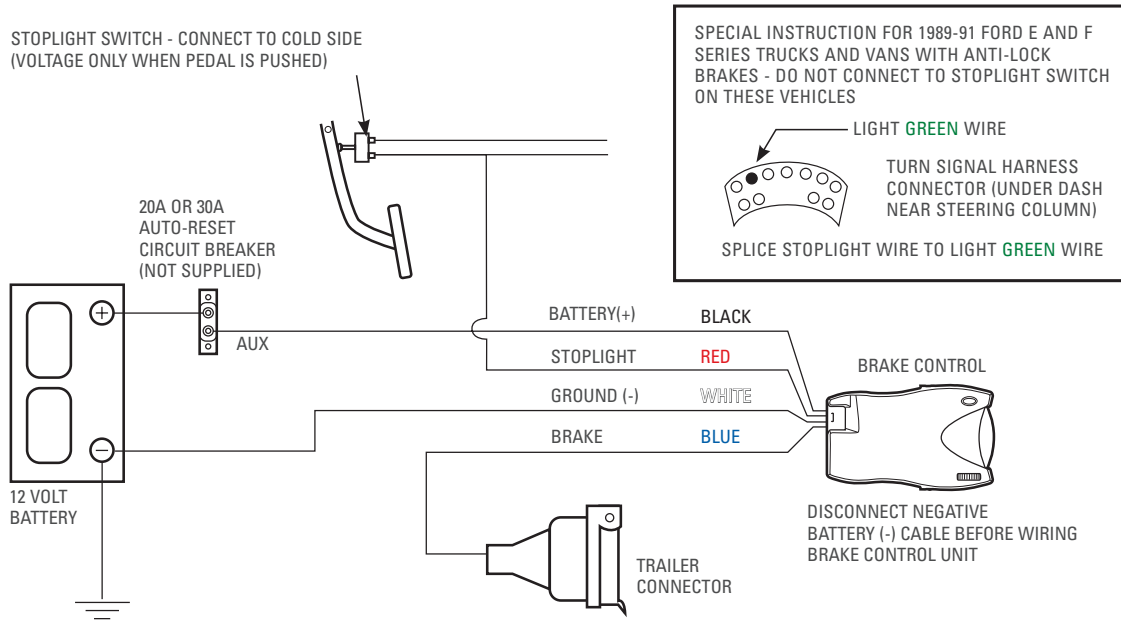
**BP8** - Under or behind dash to the right of the steering column and brake pedal. Also includes 7-Way adapter kit located at the rear center behind the bumper. This unit complies with all applicable California Regulations.

**BP9** - Includes 7-Way adapter kit located at the rear center behind the bumper. This unit complies with all applicable California Regulations.

**BP10** - Under drivers seat.

# WIRE INSTRUCTIONS FOR ELECTRONIC BRAKE CONTROLS

## GENERIC WIRING DIAGRAM



### READ THIS FIRST:

Read and follow all instructions carefully before wiring brake control. Keep these instructions with the brake control for future reference.

### IMPORTANT FACTS TO REMEMBER

1. The brake control must be installed with a 12 volt negative ground system. (To install with a positive ground system use Tekonsha® P/N 3191.)
2. **▲ WARNING** Reversing BLACK and WHITE wires or improper wiring will damage or destroy brake control.
3. **▲ WARNING** Be sure to solidly connect all four wires or brake control will not function properly.
4. Soldering is recommended or crimp-on butt connectors are a suitable substitution.
5. Route all wires as far from the radio antenna as possible to reduce AM interference.
6. **▲ CAUTION** Use of proper gauge wire when installing the brake control is CRITICAL; smaller gauge wire may result in less than efficient braking. Minimum wire gauges are as follows:
  - 1-2 axle applications – 14 GA.
  - 3-4 axle applications – 12 GA.
7. Collection of water inside the trailer connector mounted on the tow vehicle will reduce the life of the connector.

### WIRING LEGEND

BLACK Wire (Positive Battery)

WHITE Wire (Negative Battery)

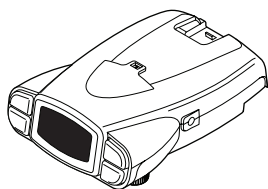
RED Wire (cold side of stoplight switch)

BLUE Wire (brake output to trailer)

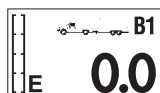
1. The WHITE (-) wire must be connected to a known ground.
2. **▲ CAUTION** Inadequate grounding may cause intermittent braking or lack of sufficient voltage to trailer brakes. The WHITE wire must be connected to a suitable ground location. The negative terminal of the battery is a suitable ground location in the absence of a Trailer Tow Package connection.
3. Connect BLACK (+) wire through an automatic reset circuit breaker (20 amp for 1-2 axles, 30 amp for 3-4 axles) to the POSITIVE (+) terminal of the battery. The BLACK wire is the power supply line to the brake control.
4. The RED (stoplight) wire must be connected to the cold side of the brake pedal stoplight switch. Splice down line from the switch; DO NOT disturb the position of the switch.
5. The BLUE (brake output) wire must be connected to the trailer connector's brake wire.

## BRAKE CONTROLS WITH LCD DISPLAY

90195 – P3®



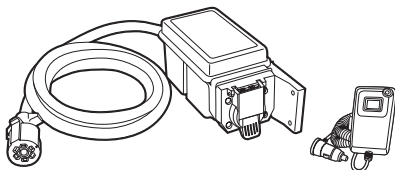
Brake Control's display should show:



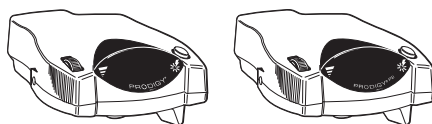
- With trailer emulator connected and no manual slide activation.
- Varying voltage displayed from D-13 as manual is activated with the power knob full on.

## BRAKE CONTROLS WITH DIGITAL DISPLAY

90250 – Prodigy RF®



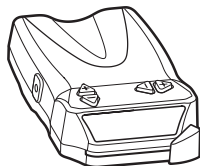
90185 – Prodigy® / 90885 – Prodigy® P2



90160 – Primus™ IQ



5535 – I-Command™



80550 – Pilot®

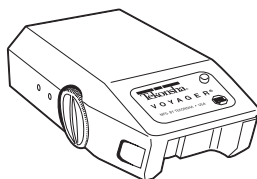


Brake Control's display should show:

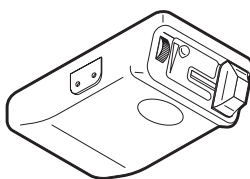
- .c - With trailer emulator connected and no manual slide activation ("c" indicates connection to the trailer).
- Varying voltage displayed from D-13 as manual is activated with the power knob full on.

## BRAKE CONTROLS WITH LED DISPLAY

9030 – Voyager®



80500 – POD™



Brake Control's display should show:

- **GREEN** - with trailer emulator connected with no manual slide activation.
- **GREEN** to varying colors of **RED** - trailer emulator connected and manual slide activated.

Technical information is current as of the printing of this catalog. Contact technical service for periodic updates.

## BRAKE CONTROL WIRING HARNESS CHART

**▲ WARNING** When using a wiring harness supplied by your vehicle's Manufacturer (OE Harness), **DO NOT MATCH COLORS.** Please follow wiring chart below.

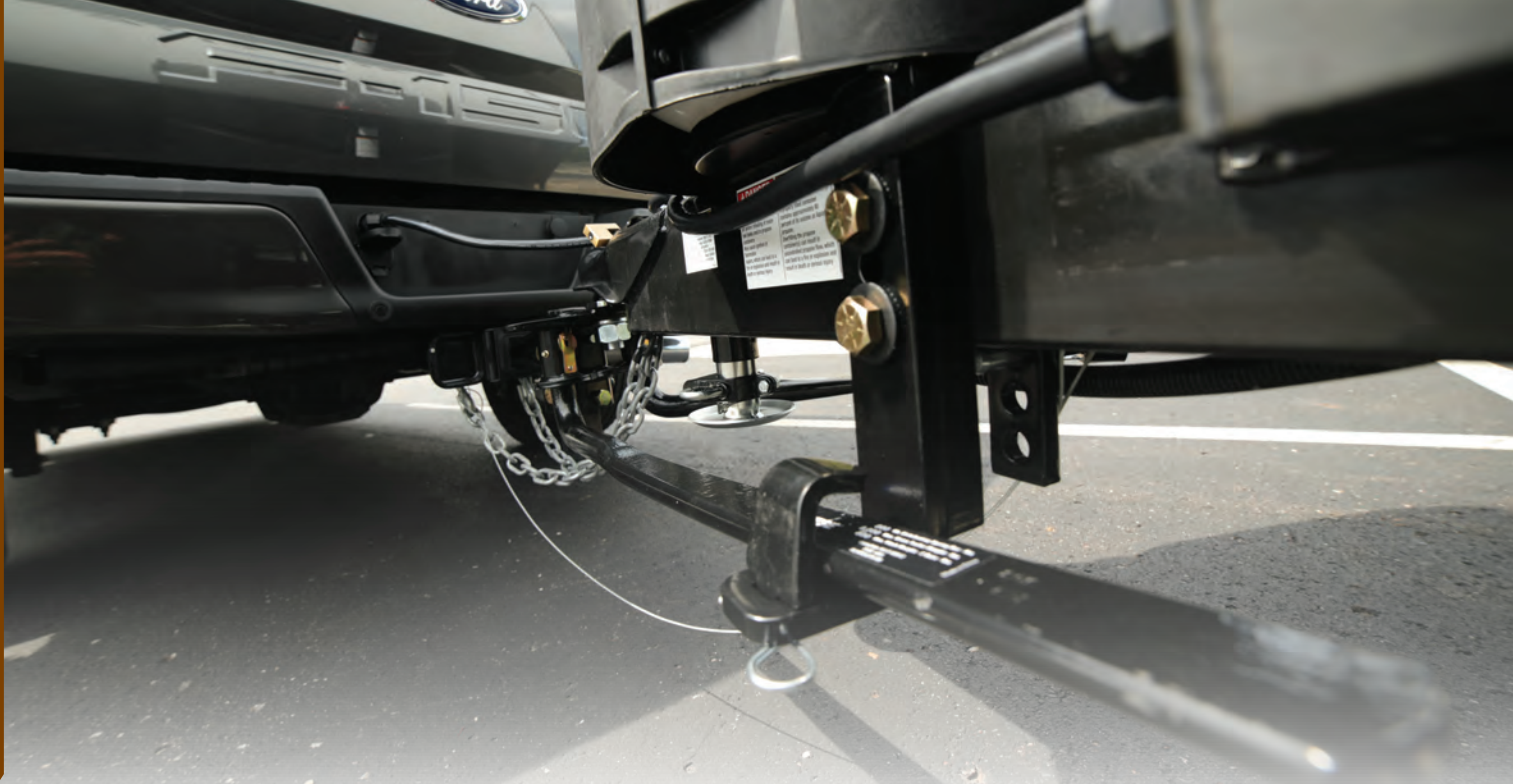
OE HARNESS	BRAKE CONTROL WIRE	FUNCTION
<b>CHEVROLET</b>		
RED	BLACK	12 VOLT
LIGHT BLUE	RED	STOPLIGHT
BLACK	WHITE	GROUND
DARK BLUE	BLUE	TRAILER BRAKES
BROWN	N/A	ILLUMINATION
<b>GM 2007 AND NEWER (NEW BODY STYLE)</b>		
RED / BLACK TRACER	BLACK	12 VOLT
LIGHT BLUE / WHITE TRACER	RED	STOPLIGHT
WHITE	WHITE	GROUND
DARK BLUE	BLUE	TRAILER BRAKES
ORANGE	N/A	STOPLIGHT
<b>DODGE (GREEN WIRE)</b>		
WHITE W/ RED TRACER	BLACK	12 VOLT
BLUE W/ WHITE TRACER	RED	STOPLIGHT
GREEN W/ BLACK TRACER	WHITE	GROUND
BLUE	BLUE	TRAILER BRAKES
<b>DODGE</b>		
RED W/ BLACK TRACER	BLACK	12 VOLT
WHITE W/ TAN TRACER	RED	STOPLIGHT
BLACK	WHITE	GROUND
BLUE	BLUE	TRAILER BRAKES
<b>2010 &amp; NEWER DODGE</b>		
YELLOW W/ GREEN TRACER	BLACK	12 VOLT
WHITE	RED	STOPLIGHT
BLACK W/ GREEN TRACER	WHITE	GROUND
GREEN	BLUE	TRAILER BRAKES
<b>2010 &amp; NEWER DODGE</b>		
YELLOW W/ RED TRACER	BLACK	12 VOLT
WHITE	RED	STOPLIGHT
BLACK W/ GREEN TRACER	WHITE	GROUND
GREEN	BLUE	TRAILER BRAKES
<b>FORD (PINK WIRE)</b>		
PINK	BLACK	12 VOLT
RED	RED	STOPLIGHT
WHITE	WHITE	GROUND
BLUE	BLUE	TRAILER BRAKES
BROWN	N/A	ILLUMINATION
<b>FORD</b>		
RED	BLACK	12 VOLT
LIGHT GREEN	RED	STOPLIGHT
WHITE	WHITE	GROUND
DARK BLUE	BLUE	TRAILER BRAKES
BROWN	N/A	ILLUMINATION
<b>FORD (PURPLE WIRE)</b>		
RED	BLACK	12 VOLT
PURPLE W/ WHITE TRACER	RED	STOPLIGHT
BLACK W/ WHITE TRACER	WHITE	GROUND
BLUE	BLUE	TRAILER BRAKES
BROWN	N/A	ILLUMINATION
<b>FORD 2008 SUPER DUTY</b>		
RED	BLACK	12 VOLT
YELLOW W/ GREEN TRACER	RED	STOPLIGHT
BLACK W/ GRAY TRACER	WHITE	GROUND
BLUE	BLUE	TRAILER BRAKES



## BRAKE CONTROL WIRING HARNESS CHART

**▲ WARNING** When using a wiring harness supplied by your vehicle's Manufacturer (OE Harness), DO NOT MATCH COLORS. Please follow wiring chart below.

OE HARNESS	BRAKE CONTROL WIRE	FUNCTION
<b>FORD</b>		
RED	BLACK	12 VOLT
GREEN	RED	STOPLIGHT
WHITE	WHITE	GROUND
BLUE	BLUE	TRAILER BRAKES
<b>FORD</b>		
BROWN W/ RED TRACER	BLACK	12 VOLT
BLUE W/ ORANGE TRACER	RED	STOPLIGHT
GRAY W/ BLACK TRACER	WHITE	GROUND
BLUE	BLUE	TRAILER BRAKES
<b>TOYOTA</b>		
BLACK W/ RED TRACER	BLACK	12 VOLT
GREEN	N/A	ILLUMINATION
GREEN W/ WHITE TRACER	RED	STOPLIGHT
BROWN	WHITE	GROUND
RED	BLUE	TRAILER BRAKES
<b>TOYOTA / LEXUS</b>		
BLACK	BLACK	12 VOLT
GREEN W/ YELLOW TRACER	RED	STOPLIGHT
WHITE W/ BLACK TRACER	WHITE	GROUND
YELLOW	BLUE	TRAILER BRAKES
GREEN	N/A	ILLUMINATION
<b>NISSAN / INFINITY</b>		
RED	BLACK	12 VOLT
RED W/ GREEN TRACER	RED	STOPLIGHT
BLACK	WHITE	GROUND
BROWN W/ WHITE TRACER	BLUE	TRAILER BRAKES
RED W/ BLUE TRACER	N/A	ILLUMINATION
<b>VOLKSWAGEN / PORSCHE</b>		
CAVITY #2 (RED W/ YELLOW TRACER)	BLACK	12 VOLT
CAVITY #3 (BLACK W/ RED TRACER)	RED	STOPLIGHT
CAVITY #1 (BROWN)	WHITE	GROUND
CAVITY #4 (BLUE)	BLUE	TRAILER BRAKES
<b>HONDA</b>		
BLUE	BLACK	12 VOLT
WHITE W/ BLACK TRACER	RED	STOPLIGHT
BLACK	WHITE	GROUND
BROWN W/ WHITE TRACER	BLUE	TRAILER BRAKES
BLUE	BLACK	12 VOLT
LIGHT BLUE	RED	STOPLIGHT
BLACK	WHITE	GROUND
BROWN W/ WHITE TRACER	BLUE	TRAILER BRAKES
RED	BLACK	12 VOLT
SMALL RED W/ WHITE TRACER	RED	STOPLIGHT
BLACK	WHITE	GROUND
LARGE RED W/ WHITE TRACER	BLUE	TRAILER BRAKES
BROWN	N/A	ILLUMINATION
RED W/ BLACK TRACER	BLACK	12 VOLT
WHITE	RED	STOPLIGHT
BLACK	WHITE	GROUND
BLUE	BLUE	TRAILER BRAKES
GREY	N/A	ILLUMINATION



# WEIGHT DISTRIBUTION

Founded in 1952, the REESE® brand has become a household name in the heavy-duty towing industry. With proven designs that exceed the industry standards, REESE® has become the brand of choice when performance is the expectation.

Evolving to meet the changing requirements of the towing market, our Weight Distributing Hitch Systems provide a softer ride and distribute load forces more evenly than ever before.

**SELECTING A SYSTEM** ..... E-3

**WEIGHT DISTRIBUTION SYSTEMS**

REESE® Pro Round Bar ..... E-2

STEADi-Flex® ..... E-4

Strait-Line® ..... E-5

**SWAY CONTROL**

Dual Cam HP ..... E-6

Friction Sway Control ..... E-6

Bolt-On Mounting Adapters ..... E-6

**WEIGHT DISTRIBUTION ACCESSORIES**

Hitch Bars ..... E-7

Pole Tongue Adapters ..... E-8

Adjustable Ball Mounts with Hitch Bars ..... E-8

Snap-Up Brackets ..... E-8

Chain Hangers ..... E-8

Tongue Weight Scale ..... E-8

**REPLACEMENT PARTS** ..... E-9 - E-10

**DISCONTINUED PRODUCTS** ..... E-11 - E-12

# FEATURED

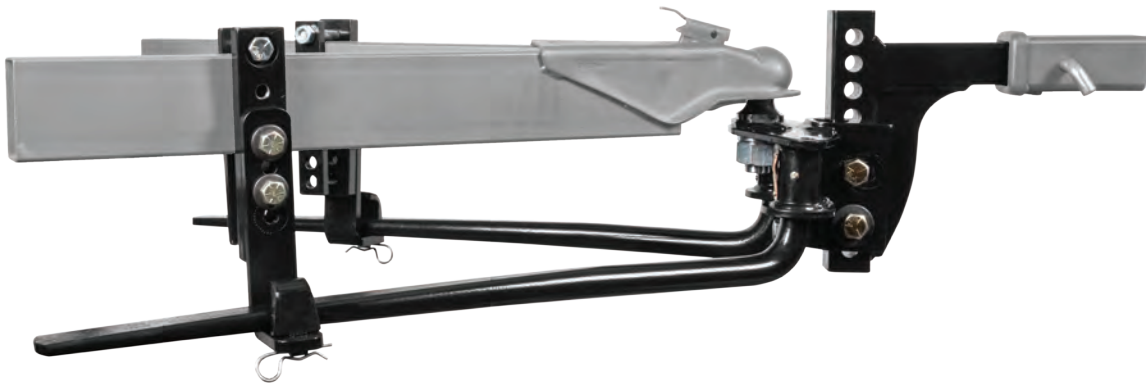
## REESE® PRO ROUND BAR SYSTEM

Engineered to provide more features and superior ride performance than other systems. Designed to evenly and effectively distribute weight, while reducing trailer sway.

- Designed to improve stability for added ride control and security
- 2-5/16 in. hitch ball - Pre-installed and torqued to proper specifications
- Includes 8-1/2 in. deep drop shank for today's taller trucks
- No-drill, clamp on brackets fit up to 7 in. trailer frames
- Durable, stainless steel clips
- High strength steel head and welded hitch bar
- Tapered spring bars provide constant weight distribution over the axles for superior ride comfort
- Fits bottom and top mount couplers
- Powder coat finish for durability and corrosion resistance
- System includes: Head with preinstalled ball, tapered spring bars, deep drop shank, control brackets, lift-assist bar and all hardware necessary for an easy install



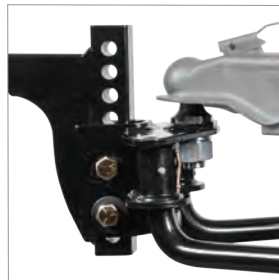
49912



Part Number	Description	Gross Trailer Weight (lbs.)	Tongue Weight (lbs.)	Packaging	Master Carton
49911	REESE Pro Round Bar System with Integrated Sway Control	6,000	600	Boxed	1
49912	REESE Pro Round Bar System with Integrated Sway Control	8,000	800	Boxed	1
49913	REESE Pro Round Bar System with Integrated Sway Control	11,500	1,150	Boxed	1



Includes deep drop shank



High strength steel head and welded hitch bar



No drill clamp on bracket installation



Integrated sway control

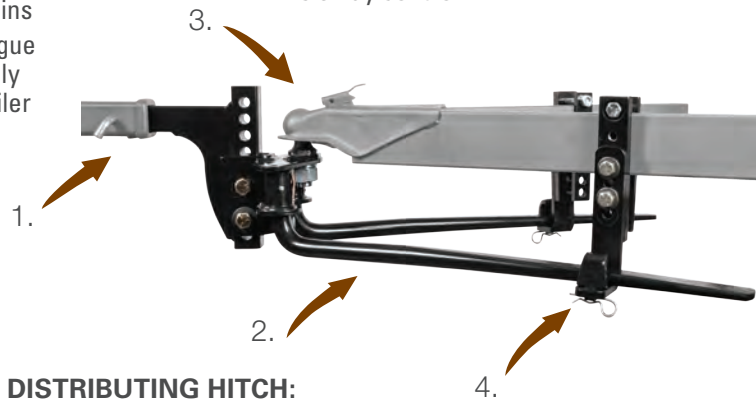
## SELECTING A SYSTEM

### WEIGHT DISTRIBUTING SYSTEMS

- Add a weight distributing system to provide a more level ride, greater steering and brake control
- The differences are in construction materials, welding, manufacturing processes and hook-up
- Adjustment is simple because of the easy-to-operate snap-up brackets that allow spring bar tension to be adjusted by changing links in the support chains
- Rather than merely supporting the trailer tongue weight (TW), weight-distributing hitches apply leverage between the towing vehicle and trailer causing the TW to be carried by all axles of the tow vehicle and trailer

- A Weight Distributing Hitch System is composed of \*four major elements:

1. The hitch receiver
2. The weight distribution kit
3. The hitch ball
4. The sway control



*\*They work in unison to provide complete towing system compatibility.*

#### TO DETERMINE THE CORRECT WEIGHT DISTRIBUTING HITCH:

1. Determine the tongue weight of your trailer
2. Estimate the vehicle cargo load
3. Match the sum of these weights to the proper Reese weight distributing hitch

#### HITCH WEIGHT = TONGUE WEIGHT + VEHICLE CARGO LOAD BEHIND REAR AXLE

- Tongue weight includes the trailer tongue weight with full gas, water and waste systems and everything packed inside the trailer. Vehicle cargo includes all materials carried in your tow vehicle, such as boat motors, gas cans, tools, etc.

TONGUE WEIGHT IN USE																
RATING	200	300	400	500	600	700	800	900	1000	1100	1200	1300	1400	1500	1600	1700
600																
800																
1000																
1200																
1400																
1500																
1700																

#### EXAMPLE:

Tongue Weight -                    500 lbs.  
 Vehicle Load Weight -            + 200 lbs.  


---

 Total Hitch Weight -                = 700 lbs.

\*Using the selector shown above, an 800 lbs. tongue weight distributing hitch is adequate.

#### 600 LBS. WEIGHT DISTRIBUTING HITCH

- Specially suited for use on medium boat trailers, light travel trailers, single horse trailers, heavy fold-down campers, heavy luggage or utility trailers, etc.

#### 800 LBS. WEIGHT DISTRIBUTING HITCH

- Ideal for medium travel trailers, heavy boat trailers, heavy horse trailers

#### 1,200 LBS. WEIGHT DISTRIBUTING HITCH

- Excellent with heavy travel trailers, marine and horse trailers

#### 1,500 LBS. WEIGHT DISTRIBUTING HITCHES

- Great for agricultural, marine and heavy recreational use

## STEADi-FLEX® SYSTEM

This weight distributing system is designed with tapered spring bars for a softer ride. Friction sway control material provides for a quiet ride. Wide spring bars, with a simple pin and clip assembly, reduce wear in the head and on the friction pads.



- No drill installation
- Hitch bar included
- Integrated sway control

### LIGHT DUTY SYSTEM

- Will fit 6 in. frames with bottom mount couplers (see coupler chart below)

### HEAVY DUTY SYSTEM

- Will fit 7 in. frames with bottom mount couplers (see coupler chart below)
- 2 in. deeper drop on drawbar



## STEADi-FLEX®

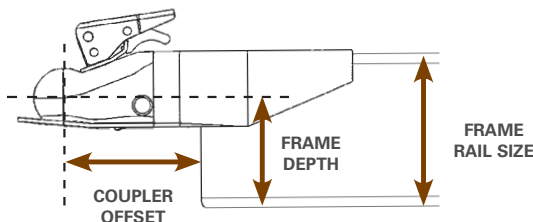


66558

Part Number	Description	Gross Trailer Weight (lbs.)	Tongue Weight (lbs.)	Packaging	Master Carton
66557	STEADi-FLEX Light Duty System, Includes Shank, Built-In Friction Sway Control and Hardware (Will Not Fit Trailer Frames that are 2 in. x 3 in. or 2 in. x 3.5 in.)	4,000	400	Boxed	1
66558	STEADi-FLEX Light Duty System, Includes Shank, Built-In Friction Sway Control and Hardware	8,000	600	Boxed	1
66559	STEADi-FLEX Heavy Duty System, Includes Shank, Built-In Friction Sway Control and Hardware	10,000	1,000	Boxed	1
66560	STEADi-FLEX Heavy Duty System, Includes Shank, Built-In Friction Sway Control and Hardware	12,000	1,200	Boxed	1
66561	STEADi-FLEX Heavy Duty System, Includes Shank, Built-In Friction Sway Control and Hardware	14,000	1,400	Boxed	1

*NOTES: This pertains to top mount couplers only. Any bottom mount coupler with a 4 in. to 7 in. frame will work without issue. These values are general guidelines for frame sizes and coupler heights assuming straight level installation. Chain loops and other brackets or accessories are included in the Coupler Offset dimension and must be clear of the Coupler Offset area or modified. For intermediate measurement conditions between green and red, ensure at least 3/4 in. clearance between ball mount and trailer frame rail/accessories. For frame rail depth over 5 in., this includes during steering on flat ground.*

Coupler Frame		Coupler Offset (in.)				
Rail Size (in.)	Depth (in.)	3.5	4	4.5	5	5.5
4	2	•	•	•	•	•
	3	•	•	•	•	•
	4	•	•	•	•	•
5	3	•	•	•	•	•
	4	•	•	•	•	•
6	5	•	•	•	•	•
	6		•	•	•	•
	7		•	•	•	•
7	5		•	•	•	•
	6					•
	7					•



## STRAIT-LINE SYSTEM

## STRAIT-LINE® SYSTEM

This is the ultimate hitch in detail and design. The Strait-Line® Hitch was given this name as its pro-active design literally forces the trailer to stay in a straight line behind the tow vehicle. Sway is controlled by the Dual Cam High-Performance System. The stronger the sway force, the more the Dual Cam System works to stop it. The Strait-Line® Hitch consists of our patented Dual Cam High-Performance Sway Control combined with our High-Performance Weight Distributing System in one easy-to-install package. The Strait-Line® Hitch literally forces the trailer to stay in a straight line behind the tow vehicle. Sway is controlled by the Dual Cam High-Performance System; The stronger the sway force, the more the Dual Cam System works to stop it.

- The Strait-Line® Hitch combines weight distributing with the best pro-active sway control system available in a newly-designed, easy-to-install kit
- Simple installation and adjustment
- Fully automatic and self-centering
- Reduced noise
- No U-bolts to interfere with bottle racks or other A-Frame mounted items
- Specific attachment reference points provided
- Easy adjustment of centerline
- No need to relocate items on top of A-Frame to install Dual Cam High-Performance Sway Control



66072

Part Number	Description	Style	Gross Trailer Weight (lbs.)	Tongue Weight (lbs.)	Weight Distributing Kit Included	Sway Control Included	Shank Included	Packaging	Master Carton
66072	Strait-Line 600 System	Trunnion Bar	6,000	600	66020	26002	-	Boxed	1
66082	Strait-Line 600 System	Trunnion Bar	6,000	600	66540	26002	54970	Boxed	1
66073	Strait-Line 800 System	Trunnion Bar	8,000	800	66021	26002	-	Boxed	1
66083	Strait-Line 800 System	Trunnion Bar	8,000	800	66541	26002	54970	Boxed	1
66074	Strait-Line 1,200 System	Trunnion Bar	12,000	1,200	66022	26002	-	Boxed	1
66084	Strait-Line 1,200 System	Trunnion Bar	12,000	1,200	66542	26002	54970	Boxed	1
66130	Strait-Line 1,500 System for Ultra Frame Receivers	Trunnion Bar	15,000	1,500	66131	26002	-	Boxed	1
66075	Strait-Line 1,700 System for 2-1/2 in. Receivers	Trunnion Bar	17,000	1,700	66006	26002	-	Boxed	1

## Dual Cam HP



26002

### DUAL CAM HIGH PERFORMANCE SWAY CONTROL

Patented technique for controlling trailer sway. Works when needed to control sway from the start rather than just resisting. The Dual Cam System is installed on the trailer and does not normally require adjustment every time the towing vehicle and trailer are hooked up.

- Integrated cams into the spring bars reduce noise
- No U-bolts to interfere with bottle racks or other A-Frame mounted items
- Specific attachment reference points provided
- Fits most applications



Part Number	Description	Packaging	Master Carton
26002	Dual Cam High Performance Sway Control	Boxed	1
58507	Dual Cam Accessory, (4) Rivet Nuts for Tube Frames	Boxed	48



83660

*NOTE: Weight distributing hitch not included; use of sway controls with surge brakes not recommended; this product is recommended to be used with weight distribution that has the integrated spring bars only*

### FRICITION SWAY CONTROL

Friction Sway Control uses friction to resist pivotal movement and thereby works against the effects of induced sway. It operates on the principle of "stiffening" the coupling between the tow vehicle and trailer. The degree of "stiffening" or friction is adjusted to suit various trailer weights and towing conditions. Its operation is simple and uncomplicated. It doesn't prevent the generation of sway; it simply works to resist the forces once they have started

- Installs and removes easily
- Removes with two spring locking pins
- Heavy construction for added reliability
- Friction brake keeps trailer and tow vehicle stable
- Quick attachment to trailer frame and ball mount
- Can be used on left and right side of trailer



Part Number	Description	Packaging	Master Carton
83660	Friction Sway Control	Litho Box	3
3442	Weld-On Sway Control Adapter	Bulk	1
<b>Replacement Parts</b>			
58060	Sway Control Ball, 1-1/4 in. x 5/8 in.	Display Bag	50
58062	Ball Plate Assembly	Boxed	1



26003 / 26005

### BOLT-ON MOUNTING ADAPTERS FOR SWAY CONTROL

- Easy bolt-on installation
- Black powder coat finish over E-coat

Part Number	Description	Packaging	Master Carton
26003	Sway Control Adapter Bracket for Class III and IV, 2 in. Ball Mounts	Poly Bag	1
26005	Sway Control Adapter Bracket for Class II, 1-1/4 in. Drawbars	Poly Bag	1

*NOTE: 26003 cannot be used with Class I or Class II Drawbars. 26005 cannot be used with Class I Drawbars. Ball platform does not prevent adapter from turning during tightening.*



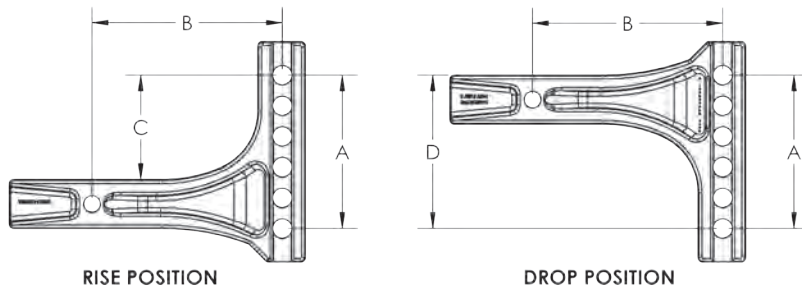
3357



63971

### WEIGHT DISTRIBUTION SHANKS

- Weight Distributing hitch bars offer a full range of style and adjustability
- Designed for use with all trunnion and round bar weight distributing kits
- Angled, extended, "T" and deep drop designs available
- Designed for use in the rise or drop position
- 2 in. shank
- Refer to the diagrams to assist in determining the correct length, rise and drop required for your weight distributing hitch



A= Height    C= Rise  
B= Length    D= Drop

Part Number	Shank Size (in.)	Gross Trailer Weight (lbs.)	Tongue Weight (lbs.)	(A) Height (in.)	(B) Length (in.)	(C) Rise (in.)	(D) Drop (in.)	Style	Packaging	Master Carton
63911	2	12,000	1,200	6-1/4	7-3/4	4-1/4	6-1/4	Cast	Litho Box	1
3357	2	12,000	1,200	8-3/4	8-3/4	-	8-3/4	Welded	Boxed	1
54970	2	15,000 10,000	1,500 1,000	6-1/4 6-1/4	9-1/4 10-1/4	4-1/4 4-1/4	6-1/4 6-1/4	Cast	Boxed	1
3214	2	14,000	1,400	6-1/4	11-3/4	4-1/4	6-1/4	Welded	Boxed	1
3215	2	14,000	1,400	6-1/4	8-3/4	8-3/4	10-3/4	Welded	Boxed	1
3344	2	14,000	1,400	5	8-3/4	-	13-1/4	Welded	Boxed	1
63971	2	15,000	1,500	7-1/2	9-3/4	-	10	Cast	Boxed	1
54998	2	16,000	1,600	7-1/2	9-1/4	4-7/8	6-7/8	Cast	Boxed	1

NOTE: Do not exceed tow vehicle, hitch or equipment rating



54980

### ADJUSTABLE HEAD WEIGHT DISTRIBUTION SHANKS

- Fits 2 in. receivers
- Rated up to 16,000 lbs. GTW and 1,600 lbs. TW
- Bolt-together head kit
- Includes shank

Part Number	Description	Packaging	Master Carton
54980	Adjustable Ball Mount with Hitch Bar 54790	Boxed	1
54994	Adjustable Ball Mount with Hitch Bar 54998	Boxed	1





6637

### SNAP-UP BRACKETS

- Rugged positive locking design
- Unit locks using safety pin (55180)
- Narrower, for increased frame clearance
- One-piece cast chain hook
- Black powder coat finish over E-coat

Part Number	Description	Packaging	Master Carton
6637	Snap-Up Bracket Assembly Kit with Handle (2 Piece)	Boxed	1
58162	Snap-Up Handle	Boxed	1
21501	Snap-Up Bracket with Set Screw and Safety Pin	Bulk	1
58392	Snap-Up Bracket with Set Screw and Safety Pin for use with Weight Distribution Systems with Tongue Weights 800 lbs. and Over	Boxed	1



58305

58306

### CHAIN HANGERS

For trailers with tongue interference (gas bottles, batteries, covered frames, etc,) where snap-up brackets (21501) won't install easily, we offer two easy-to-install options.

- Black powder coat finish over E-coat
- Includes hardware

Part Number	Description	Gross Trailer Weight (lbs.)	Tongue Weight (lbs.)	Packaging	Master Carton
58305	Chain Hanger, Bolt-On	14,000	1,400	Boxed	1
58306	Chain Hanger, Clamp-On	14,000	1,400	Boxed	1



3280

### POLE TONGUE ADAPTERS

A pole tongue adapter is used as a mounting platform for the lift brackets of a weight distributing hitch system when a trailer has a pole or straight tongue rather than an A-Frame tongue.

- Fits all lift units regardless of manufacturer
- Fits tongue widths from 1-5/8 in. to 5 in.
- Fits tongue heights from 3 in. to 6 in.

Part Number	Description	Gross Trailer Weight (lbs.)	Tongue Weight (lbs.)	Packaging	Master Carton
3280	Pole Tongue Adapter and Fastener Kit	7,500	750	Boxed	1
58393	Pole Tongue Adapter and Fastener Kit			Boxed	1
	-Mounted on Top Tongue	14,000	1,400		
	-Mounted Below Tongue	12,000	1,200		

NOTE: Not for use with light duty weight distributing hitch



5780

### SHERLINE TRAILER TONGUE WEIGHT SCALE

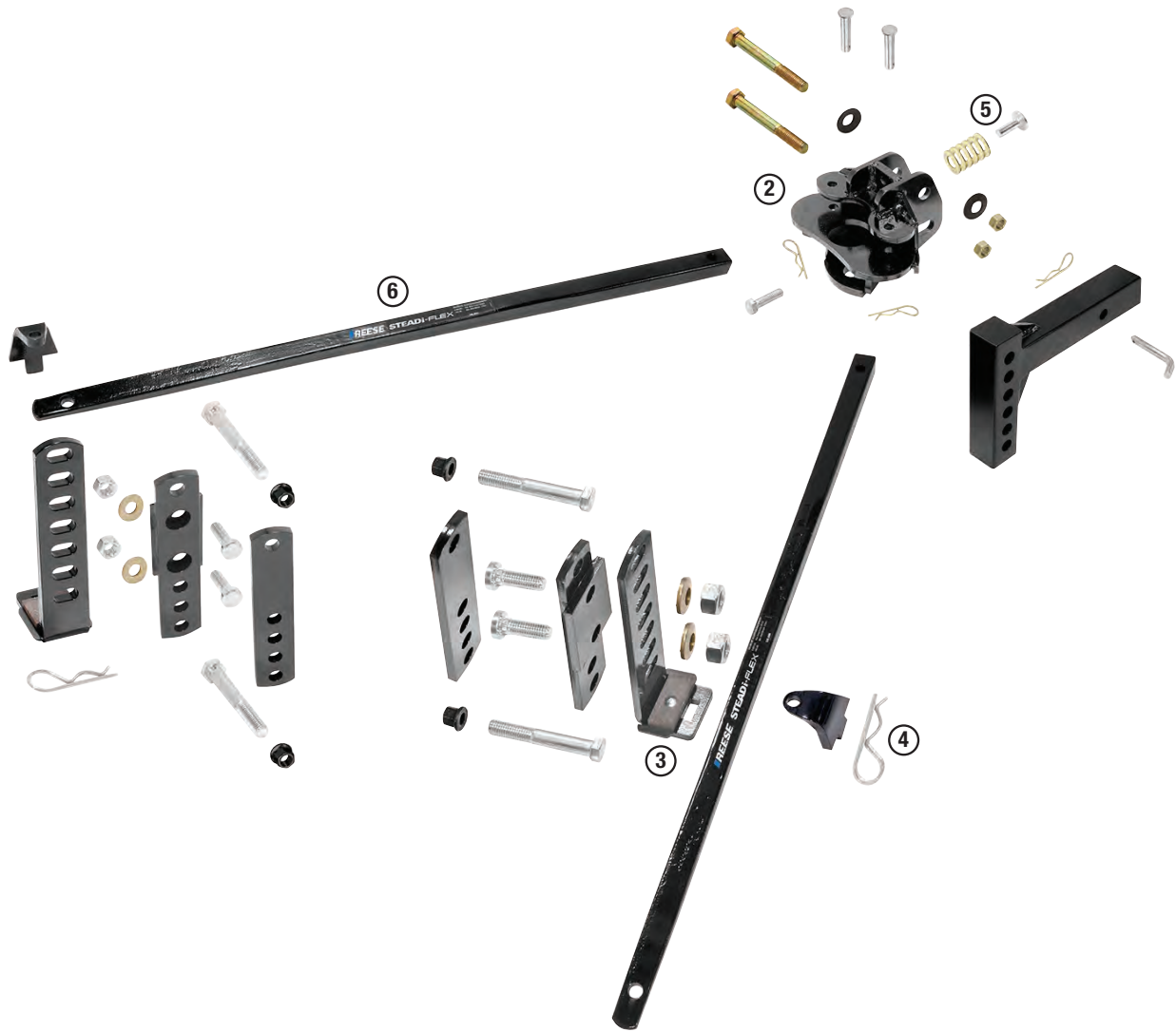
- Sherline is a hydraulic pressure gauge for measuring trailer tongue weights from 0 to 2,000 lbs.

Part Number	Description	Packaging	Master Carton
5780	Sherline Trailer Tongue Weight Scale	Litho Box	1

REPLACEMENT PARTS

STADI-FLEX® WEIGHT DISTRIBUTION REPLACEMENT PARTS

• Part Numbers: Light Duty Systems: 66557 and 66558 Heavy Duty Systems: 66559, 66560 and 66561

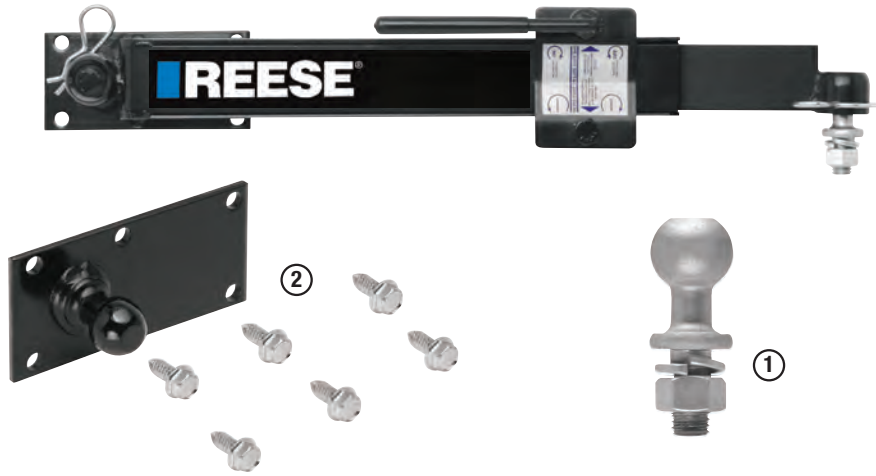


Part Number	Ref.	Qty.	Description
58513	2	1	Ball Mount with Hardware for Light Duty Systems
58497	4	2	Friction Pads with Hardware for Light Duty Systems
58498	4	1	Retention Bracket with Clip for Light Duty Systems
58499	5	1	Ball Mount Adjustment Washers and Pin for Light Duty Systems
58500	6	1	Spring Bar with Pin and Clip 400 lbs.
58501		1	Spring Bar with Pin and Clip 600 lbs.
58527		1	Friction Pad Kit for Heavy Duty Systems
58528		1	Ball Mount with Hardware for Heavy Duty Systems

## FRICTION SWAY CONTROL REPLACEMENT PARTS

• Part Number: 83660

③ (Spring Clip Only)



Part Number	Ref.	Qty.	Description
58060	1	1	Ball Assembly (Includes Ball, Washer, and Nut)
58062	2	1	Ball Plate and Mounting Screws
55515	3	2	Spring Clip

## DUAL CAM HP SWAY CONTROL REPLACEMENT PARTS

• Part Number: 26002



Part Number	Ref.	Qty.	Description
58435	1	2	Service Kit - Cam Arm with (2) 1-14 in. Adjustable Hex Nuts and Washers
58192	2	2	Chain Hanger Bracket
58437	3	8	1/2 in. - 13 Thread Forming Screw
58033	4	2	Service Kit - Snap-Up

**DISCONTINUED PRODUCTS**



66088†

**LAST CHANCE**

**STRAIT-LINE® SYSTEM**

Part Number	Description	GTW (lbs.)	TW (lbs.)	Substitute Part Number	Packaging	Master Carton
66086†	Includes Sway Control and Shank	6,000	600	66082	Boxed	1
66087†	Includes Sway Control and Shank	8,000	800	66083	Boxed	1
66088†	Includes Sway Control and Shank	12,000	1,200	66804	Boxed	1



61009†

**LAST CHANCE**

**HEAVY DUTY ROUND BAR**

Part Number	Description	GTW (lbs.)	TW (lbs.)	Substitute Part Number	Packaging	Master Carton
65509†	Includes Sway Control and Shank	10,000	600	66558	Boxed	1
67509†	Includes Sway Control and Shank	10,000	800	66559	Boxed	1
61009†	Includes Sway Control and Shank	12,000	1,200	66560	Boxed	1



49568†

**LAST CHANCE**

**RB2 AND RB3 ROUND BAR**

Part Number	Description	GTW (lbs.)	TW (lbs.)	Substitute Part Number	Packaging	Master Carton
49568†	RB2, Includes Shank	10,000	600	66558	Boxed	1
49569†	RB2, Includes Shank	10,000	800	66559	Boxed	1
49570†	RB2, Includes Shank	12,000	1,200	66560	Boxed	1
49581†	RB3, Includes Shank	10,000	550	66558	Boxed	1
49582†	RB3, Includes Shank	10,000	750	66558	Boxed	1
49583†	RB3, Includes Shank	10,000	1,000	66559	Boxed	1



65509†

**LAST CHANCE**

**COMPLETE ROUND BAR KIT**

Part Number	Description	GTW (lbs.)	TW (lbs.)	Substitute Part Number	Packaging	Master Carton
49901†	Includes Friction Sway Control and Shank	10,000	550	66558	Boxed	1
49902†	Includes Friction Sway Control and Shank	10,000	750	66559	Boxed	1
49903†	Includes Friction Sway Control and Shank	10,000	1,000	66560	Boxed	1
49904†	Includes Friction Sway Control and Shank	10,000	1,200	66560	Boxed	1
65509†	Includes Friction Sway Control and Shank	10,000	600	66558	Boxed	1
67509†	Includes Friction Sway Control and Shank	10,000	800	66559	Boxed	1
61009†	Includes Friction Sway Control and Shank	12,000	1,200	66560	Boxed	1

† = Available while supplies last



66540†

**LAST CHANCE**

## HIGH PERFORMANCE TRUNNION STYLE SYSTEM

Part Number	Description	GTW (lbs.)	TW (lbs.)	Substitute Part Number	Packaging	Master Carton
66020†	HP Trunnion System	10,000	600	49911	Boxed	1
66540†	HP Trunnion System, Includes Shank	10,000	600	49911	Boxed	1
66021†	HP Trunnion System	10,000	800	49912	Boxed	1
66541†	HP Trunnion System, Includes Shank	10,000	800	49912	Boxed	1
66022†	HP Trunnion System	12,000	1,200	49913	Boxed	1
66542†	HP Trunnion System, Includes Shank	12,000	1,200	49913	Boxed	1
66131†	HP Trunnion System, Ultra Frame Receivers	15,000	1,500	66561	Boxed	1
66006†	HP Trunnion System	17,000	1,700	66075	Boxed	1



54977†

**LAST CHANCE**

## WD SHANKS

Part Number	Description	Substitute Part Number	Packaging	Master Carton
54977†	Weight Distribution Shank, 1,700 lbs. Capacity, 2-1/2 in. Diameter, 11-1/2 in. Length, 7-3/4 in. Rise, and 10-1/4 in. Drop	3215	Boxed	1
54976†	Weight Distribution Shank, 1,700 lbs. Capacity, 2-1/2 in. Diameter, 11-1/2 in. Length, 1-1/4 in. Rise, and 5-1/4 in. Drop	54998	Boxed	1

† = Available while supplies last



# FIFTH WHEEL HITCHES

Founded in 1952, the REESE® brand has become a household name in the heavy-duty towing industry. With proven designs that exceed the industry standards, REESE® has become the brand of choice when performance is the expectation.

The core product line of REESE® is the heavy duty fifth wheels which provide safe towing for the weekend warriors and the seasoned campers.

## M5 SERIES

20K.....	F-3
27K.....	F-3
32K.....	F-3
Application Guide.....	F-4

## STANDARD SERIES

16K.....	F-5
20K.....	F-5
30K Low Profile.....	F-6

## MOUNTING RAILS AND BRACKETS

Ford.....	F-6
RAM.....	F-6
GM.....	F-6
Application Guide.....	F-6

## FIFTH WHEEL ACCESSORIES

Sliders.....	F-7
Lube Plates.....	F-8
Locks.....	F-8
Chain Bracket Kits.....	F-8

## GOOSENECK HITCHES

Hi-Rise® Conversion Hitch.....	F-7
Elite® Series Above-Bed.....	F-9
The Goose®.....	F-9
Standard Series.....	F-9
Elite® Series Under-Bed.....	F-10

## APPLICATION GUIDES

M5 Hitch Applications.....	F-4
Mounting Rail Applications.....	F-6
Elite® Series Under-Bed Gooseneck.....	F-10
Custom Install Brackets.....	F-11
Outboard Rails.....	F-12
Universal Rail Kits.....	F-13
Vertical Hitch Adjustment Chart.....	F-14

## REPLACEMENT PARTS..... F-15 - F-16

## DISCONTINUED PRODUCTS..... F-17 - F-18

# NEW

## M5 SERIES 32K FIFTH WHEEL HITCH

By combining the latest in technology, rugged endurance, and sleek design, the M5 continues the REESE® legacy of Pioneering Performance.

- New release for Ford, GM and RAM
- 32,000 lbs. capacity / 6,750 lbs. pin weight capacity
- Compatible with REESE® Elite™ Series fifth wheel rails
- Exclusive Talon™ Jaw - always ready-to-receive jaw grips the pin to eliminate lateral chucking, reducing sway and noise
- High-pin lock out prevents false indication of safe connection
- Exclusive independent pivot bushing technology decreases fore and aft movement for the quietest fifth wheel on the market
- Offset center section for additional clearance between cab and trailer
- Easy hook-up - clear Tow/No Tow indicator
- See page F-4 for additional information



## GM M5 SERIES FIFTH WHEEL HITCH

Experience the quietest and smoothest tow possible thanks to a wider stance, tighter tolerances, and industry leading shock dampening system.

- New release for 2020 GM OE puck system
- 20,000 lbs. capacity and 27,000 lbs. capacity models available
- Exclusive Talon™ Jaw - always ready-to-receive jaw grips the pin to eliminate lateral chucking, reducing sway and noise
- High-pin lock out prevents false indication of safe connection
- Exclusive independent pivot bushing technology decreases fore and aft movement for the quietest fifth wheel on the market
- Wide stance allows connection as close to the frame as possible for a solid, stable tow
- See page F-4 for additional information



## GM MOUNTING ADAPTER

REESE® heavy duty adapter kit. Allows for the attachment of any standard 5th wheel hitch to the factory GM/Chevy OE underbed rail kit system. Superior design and uncompromising strength allows for attachment of hitches rated up to 27,000 lbs. capacity.

- The robust REESE® adapter will not touch or scratch the truck bed
- Quick, easy installation and removal
- Fast and secure REESE® patented latching system
- SAE J2638 fatigue and static tested
- See page F-5 for additional information and vehicle specific applications



# 20K



30921

# 27K



30895

# 32K



30944



## M5 SERIES FIFTH WHEEL HITCH

Experience the quietest and smoothest tow possible thanks to a wider stance, tighter tolerances, and industry leading shock dampening system. By combining the latest in technology, rugged endurance, and sleek design, the M5 continues the REESE® legacy of Pioneering Performance.

- 20,000 lbs. capacity / 5,000 lbs. pin weight capacity
- 27,000 lbs. capacity / 6,750 lbs. pin weight capacity
- 32,000 lbs. capacity / 6,400 lbs. pin weight capacity
- Industry leading capacity
- New releases for Ford, GM and RAM
- Exclusive Talon™ Jaw - always ready-to-receive jaw grips the pin to improve towing feel, reducing sway and noise
- High-pin lock out prevents false indication of safe connection
- Exclusive independent pivot bushing technology decreases fore and aft movement for the quietest fifth wheel on the market
- Wide stance allows connection as close to the frame as possible for a solid, stable tow
- Offset center section for additional clearance between cab and trailer
- Ford models compatible with REESE® Elite™ Series fifth wheel mounting systems
- Easy hook-up - clear Tow/No Tow indicator
- SAE J2638 Compliant - the highest standard in the industry
- Backed by REESE's limited lifetime warranty



\*SEE APPLICATION GUIDE FOR VEHICLE SPECIFIC APPLICATIONS

### INDUSTRY STANDARD RAIL APPLICATIONS

Part Number	Application	Capacity (lbs.)	Vertical Adjustment (in.)	Packaging	Master Carton
<b>Complete Hitch System</b>					
30928	Industry Standard Rails	20,000	14 to 18	Boxed	2
30929	Industry Standard Rails	27,000	14 to 18	Boxed	2
<b>Center Section Only</b>					
30884	Industry Standard Rails for 20K Hitches			Boxed	1
30894	Industry Standard Rails for 27K Hitches			Boxed	1
<b>Hitch Head Only</b>					
30892	Industry Standard Rails, for 20K and 27K Hitches			Boxed	1
<b>Legs Only</b>					
30926	Industry Standard Rails, for 20K Hitches			Boxed	1
30927	Industry Standard Rails, for 27K Hitches			Boxed	1
<b>Accessories and Replacement Parts</b>					
58563	M5 Series Anti-Rattle Kit			Display Bag	2
58553	M5 Series Low Profile Handle Assembly			Display Bag	10

NOTE: Will not fit trucks with beds shorter than 6 ft. length unless trailer is equipped with a Sidewinder





## M5 SERIES FIFTH WHEEL HITCH APPLICATION GUIDE

Experience the quietest and smoothest tow possible thanks to a wider stance, tighter tolerances, and industry leading shock dampening system. Continuing the REESE® legacy of Pioneering Performance.

Make / Model	Style	Years	Capacity (lbs.)	Pin Weight Capacity (lbs.)	Complete Hitch	Center Section	Hitch Head	Legs
<b>CHEVROLET</b>								
Silverado 2500 HD	with OE Puck System	16-19	20,000	5,000	30890	30884	30892	30889
Silverado 2500 HD	with OE Puck System	20-21	20,000	5,000	30938	30884	30892	30937
Silverado 2500 HD	with OE Puck System	16-19	27,000	6,750	30895	30894	30892	30889
Silverado 2500 HD	with OE Puck System	20-21	27,000	6,750	30939	30894	30892	30937
Silverado 2500 HD	with OE Puck System	20-21	32,000	6,400	30944	30932	30892	30942
Silverado 3500 HD	with OE Puck System	16-19	20,000	5,000	30890	30884	30892	30889
Silverado 3500 HD	with OE Puck System	20-21	20,000	5,000	30938	30884	30892	30937
Silverado 3500 HD	with OE Puck System	16-19	27,000	6,750	30895	30894	30892	30889
Silverado 3500 HD	with OE Puck System	20-21	27,000	6,750	30939	30894	30892	30937
Silverado 3500 HD	with OE Puck System	20-21	32,000	6,400	30944	30932	30892	30942
<b>FORD</b>								
F-250 Super Duty	with OE Puck System or REESE Elite	11-21	20,000	5,000	30921	30884	30892	30923
F-250 Super Duty	with OE Puck System or REESE Elite	11-21	27,000	6,750	30922	30894	30892	30923
F-250 Super Duty	with OE Puck System or REESE Elite	20-21	32,000	6,400	30940	30932	30892	30931
F-350 Super Duty	with OE Puck System or REESE Elite	11-21	20,000	5,000	30921	30884	30892	30923
F-350 Super Duty	with OE Puck System or REESE Elite	11-21	27,000	6,750	30922	30894	30892	30923
F-350 Super Duty	with OE Puck System or REESE Elite	20-21	32,000	6,400	30940	30932	30892	30931
F-450 Super Duty	with OE Puck System or REESE Elite	11-21	20,000	5,000	30921	30884	30892	30923
F-450 Super Duty	with OE Puck System or REESE Elite	11-21	27,000	6,750	30922	30894	30892	30923
F-450 Super Duty	with OE Puck System or REESE Elite	20-21	32,000	6,400	30940	30932	30892	30931
<b>GMC</b>								
Sierra 2500 HD	with OE Puck System	16-19	20,000	5,000	30890	30884	30892	30889
Sierra 2500 HD	with OE Puck System	20-21	20,000	5,000	30938	30884	30892	30937
Sierra 2500 HD	with OE Puck System	16-19	27,000	6,750	30895	30894	30892	30889
Sierra 2500 HD	with OE Puck System	20-21	27,000	6,750	30939	30894	30892	30937
Sierra 2500 HD	with OE Puck System	20-21	32,000	6,400	30944	30932	30892	30942
Sierra 3500 HD	with OE Puck System	16-19	20,000	5,000	30890	30884	30892	30889
Sierra 3500 HD	with OE Puck System	20-21	20,000	5,000	30938	30884	30892	30937
Sierra 3500 HD	with OE Puck System	16-19	27,000	6,750	30895	30894	30892	30889
Sierra 3500 HD	with OE Puck System	20-21	27,000	6,750	30939	30894	30892	30937
Sierra 3500 HD	with OE Puck System	20-21	32,000	6,400	30944	30932	30892	30942
<b>RAM</b>								
RAM 2500 HD	with OE Puck System	14-21	20,000	5,000	30919	30884	30892	30917
RAM 2500 HD	with OE Puck System	14-21	27,000	6,750	30919	30894	30892	30917
RAM 2500 HD	with OE Puck System	19-21	32,000	6,400	30950	30932	30892	30949
RAM 3500 HD	with OE Puck System	14-21	20,000	5,000	30919	30884	30892	30917
RAM 3500 HD	with OE Puck System	14-21	27,000	6,750	30919	30894	30892	30917
RAM 3500 HD	with OE Puck System	19-21	32,000	6,400	30950	30932	30892	30949

NOTE: Will not fit trucks with beds shorter than 6 ft. length unless trailer is equipped with a Sidewinder. Do not exceed the lowest rating in your towing system. Maximum capacity is the lower of the towing vehicle manufacturer's rating, the trailer manufacturer's rating or the fifth wheel rating.

**FIFTH WHEEL HITCHES**

# 16K



30047

*NOTE: Will not fit trucks with beds shorter than 6 ft. length unless trailer is equipped with a Sidewinder. Will not fit trucks with flareside/stepsides*

## 16K FIFTH WHEEL HITCH

- 16,000 lbs. capacity / 4,000 lbs. pin weight capacity
- Two-jaw locking system featuring side-to-side pivot action to better accommodate hook-ups on uneven ground
- Lightweight, easy to install and remove
- Fore-and-aft and side-to-side 4° - 5° pivot
- Locking jaw handle
- Wide stance one-piece legs for improved stability
- Rails and installation kit sold separately (30035)



Part Number	Description	Capacity (lbs.)	Vertical Adjustment (in.)	Packaging	Master Carton
30047	16K Fifth Wheel	16,000	13-1/2 to 17	Boxed	1
30051	16K Fifth Wheel with Square Tube Slider	16,000	14-3/4 to 17	Boxed	1
30075	16K Fifth Wheel with Round Tube Slider	16,000	15-1/2 to 17-3/4	Boxed	1
Replacement Parts					
30047A	16K Head with Head Support and Hardware			Boxed	1
58146	16K Head Only, Service Kit			Boxed	1
58147	16K Cross Member, Head Support Only			Boxed	1
30727	16K Legs Only			Boxed	1
58521	16K Head Assembly Hardware			Display Bag	20
58484	16K Pivot Pin			Display Bag	20

# 20K



30119

*NOTE: Will not fit trucks with beds shorter than 6 ft. length unless trailer is equipped with a Sidewinder. Will not fit trucks with flareside/stepsides*

## 20K FIFTH WHEEL HITCH

- 20,000 lbs. capacity / 5,000 lbs. pin weight capacity
- Full floating head for improved hooking/unhooking, as well as ride performance
- Dual jaw system completely surrounds the king pin for significantly reduced wear
- Lubricated and clamped side joints for tight and efficient operation
- Lightweight, easy to install and remove
- Wide stance one-piece legs for improved stability
- Sidewinder™ compatible, preferred for short bed pickups
- Rails and installation kit sold separately (30035)



Part Number	Description	Capacity (lbs.)	Vertical Adjustment (in.)	Packaging	Master Carton
30118	20K Fifth Wheel Head and Support	20,000	-	Boxed	1
30119	20K Fifth Wheel Head, Support and Legs	20,000	13-1/2 to 17	Boxed	1
30132	20K Fifth Wheel Head, Support, Legs and Rails	20,000	14-1/2 to 17	Boxed	1
Replacement Parts					
58472	20K Cross Member			Boxed	1
58473	20K Handle Assembly			Display Bag	50
58474	20K Pivot Shaft, Shaft Nut and Pin			Boxed	1
58475	20K Hardware			Display Bag	25

# 30K

## 30K LOW PROFILE FIFTH WHEEL HITCH

- 30,000 lbs. capacity / 7,500 lbs. pin weight capacity
- Low profile design can be vertically adjusted 3 in. to permit level trailering
- Side-tilt design reduces vehicle frame stress, creating a smoother, more comfortable ride
- Designed and engineered for the serious tower, primarily on medium-duty conversion trucks
- Actuating handle is easily accessible, making hook-up quicker and more convenient
- Base rails are not used, fifth wheel hitch mounts directly to medium-duty truck



30054

NOTE: Will not fit trucks with beds shorter than 6 ft. length unless trailer is equipped with a Sidewinder. Will not fit trucks with flareside/stepside

Part Number	Description	Capacity (lbs.)	Vertical Adjustment (in.)	Packaging	Master Carton
30054	30K Fifth Wheel, Low Profile	30,000	9-1/2 to 12-1/2	Boxed	1
Replacement Parts					
58178	30K Stop Rod Assembly with (2) Spring Clips			Boxed	1
58170	30K Base Assembly			Boxed	1
58290	30K Head Assembly			Boxed	1
58055	30K Handle Kit			Boxed	1

## MOUNTING ADAPTERS

OE pattern adapters for attaching ISR fifth wheel hitches

- The robust REESE® adapter will not touch or scratch the truck bed
- Quick, easy installation and removal
- Fast and secure REESE® patented latching system
- SAE J2638 fatigue and static tested
- Requires OE factory prep kit



30899

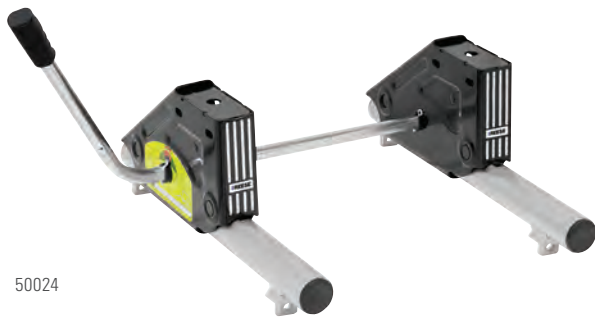


Part Number	Application	Capacity (lbs.)	Pin Capacity (lbs.)	Packaging	Master Carton
30156	2011-2021 Ford F-250/350 Super Duty	20,000	5,000	Boxed	1
30154	2013-2021 RAM 2500/3500 HD	25,000	6,500	Boxed	1
30899	2016-2021 GMC Sierra 2500/3500 HD	27,000	6,750	Boxed	1

## MOUNTING ADAPTER APPLICATION GUIDE

Make / Model	Style	Years	Capacity (lbs.)	Pin Weight Capacity (lbs.)	Part Number
GMC					
Sierra 2500 HD	with OE Prep Kit	16-21	27,000	6,750	30899
Sierra 3500 HD	with OE Prep Kit	16-21	27,000	6,750	30899
DODGE / RAM					
RAM 2500 HD	with OE Prep Kit	13-21	25,000	6,500	30154
RAM 3500 HD	with OE Prep Kit	13-21	25,000	6,500	30154
FORD					
F-250 Super Duty	with OE Prep Kit or REESE Elite	11-21	20,000	5,000	30156
F-350 Super Duty	with OE Prep Kit or REESE Elite	11-21	20,000	5,000	30156

**SLIDERS**



50024



*NOTE: Check clearance between king pin bed and tailgate before moving to maneuvering position*

**ROUND TUBE SLIDER**

- 20,000 lbs. capacity / 10 in. travel fore-and-aft
- Slider system re-engineered to be the best in the industry
- Slider systems expanded to give true ease and precision
- Contoured rollers float from side to side to accommodate mounting systems that may not be fully square
- Embossed roller supports for low friction and longer wear
- Forged mounting feet for wide consistent attachment to rails
- Updated pin mounting holes to better align with the industry standard rail kits and reduce play
- Plated rails hold up longer for extended wear
- New customized grip
- Rails and installation kit sold separately (30035)
- SAE J2638 Compliant



Part Number	Description	Capacity (lbs.)	Packaging	Master Carton
50024	Round Tube Slider	20,000	Boxed	1
Replacement Parts				
58493	Slider Handle, Grip, Roll Pin and Cotter Pins		Boxed	1
50048	Round Tube Slider, Detent Lock Pin and Lanyard		Boxed	1

**KWIK-SLIDE® SQUARE TUBE SLIDER**

- 20,000 lbs. capacity / 10 in. travel fore-and-aft
- Minimum 13 in. extended trailer pin box recommended
- 6 roller design
- Works with full size truck and compact trucks
- Fully adjustable with trailer attached
- Rails and installation kit sold separately (30035)



30048

*NOTE: Check clearance between king pin bed and tailgate before moving to maneuvering position*

Part Number	Description	Capacity (lbs.)	Packaging	Master Carton
30048	Kwik-Slide Square Tube Slider	20,000	Boxed	1
Replacement Parts				
58161	Square Tube Slider Handle Kit, Includes: (1) Latch Shaft, (1) Handle Grip, (1) Head Assembly, (2) Cotter Pins 5/32 in. x 1 in. and (1) Roll Pin 3/16 in. x 2 in.		Boxed	1



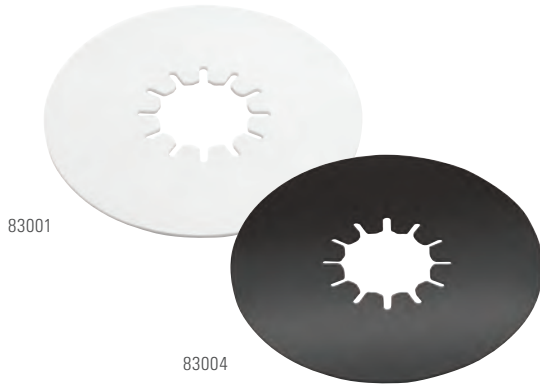
9480

*NOTE: Not rated for use with Sidewinder*

**HI-RISE™ CONVERSION HITCH**

- Converts a gooseneck hitch into a fifth wheel hitch
- 18,000 lbs. capacity / 4,500 lbs. pin weight capacity
- 4-way pivoting head with self latching jaw design
- 4 degree side-to-side pivot for better control
- Offset legs enhance performance while braking
- Adjustable stabilizer strips fit bed corrugation pattern
- Only works with B&W gooseneck hitch and REESE® (94xx) series heads utilizing (44xx) series rails

Part Number	Description	Capacity (lbs.)	Vertical Adjust. (in.)	Packaging	Master Carton
9480	Hi-Rise Conversion	18,000	14-1/4 to 18	Boxed	1
Replacement Parts					
58438	Stabilizer Strips			Boxed	1
117300	Elite Fifth Wheel Head Kit			Boxed	1



### LUBE PLATES

- Nylon lube plate protects fifth wheel plate from the wear of normal towing
- Eliminates the need for messy grease

Part Number	Description	Packaging	Master Carton
83001	Fifth Wheel Lube Plate, White, 12 in. Round, 3/16 in. Thick	Poly Bag	10
83002	Fifth Wheel Lube Plate, White, 10 in. Round, 3/16 in. Thick	Boxed	10
83004	Fifth Wheel Lube Plate, Black, 12 in. Round, 1/8 in. Thick	Display Bag	40



### FIFTH WHEEL ACCESSORY KIT

- Everything a new fifth wheel buyer needs to get started
- Grease, lube, plate, cover, king pin lock and lock links

Part Number	Description	Packaging	Master Carton
30053	Fifth Wheel Starter Kit, for REESE Only	Boxed	1
30055	Fifth Wheel Cover Only	Boxed	20



### CHAIN BRACKET KIT

- Fits REESE® industry standard fifth wheel rails and most popular brands
- Provides secure attachment for trailer safety chains

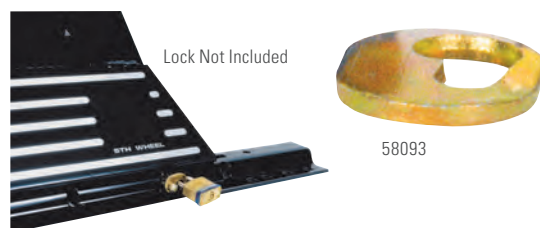
Part Number	Description	Packaging	Master Carton
50223	Chain Bracket Kit, 18,000 lbs. Each	Boxed	1



### FIFTH WHEEL LOCKS

- Includes 2 keys

Part Number	Description	Packaging	Master Carton
63251	King Pin Lock, T6 Tempered Aluminum Body	Litho Box	12
63254	Base Rails Lock, 1/2 in.	Litho Box	6



### PULL PIN LOCK PLATES

- Prevents theft of fifth wheel and unwanted removal of pull pins
- Add a standard padlock to make the locking plate a security device

Part Number	Description	Packaging	Master Carton
58093	Pin Lock Plates for 1/2 in. Pull Pins, (4 Pack)	Boxed	10

# 25K



30845

NOTE: Will not fit trucks with flareside/stepside

## ELITE™ SERIES GOOSENECK HITCH

- 25,000 lbs. capacity
- 2-5/16 in. high strength zinc plated ball
- Specifically designed for those who employs both fifth wheel and gooseneck trailers
- Mounts to all Elite™ Series Rail Kits
- Above-Bed Gooseneck can be easily removed for unobstructed use of the truck bed
- Weather resistant plastic covering provides protection from the elements and aesthetic appeal
- Built-in chain bracket to accommodate safety chain



Part Number	Description	Capacity (lbs.)	Pin Capacity (lbs.)	Packaging	Master Carton
30845	Elite Series Gooseneck	25,000	6,250	Boxed	1
Replacement Parts					
58419	Elite Series Gooseneck Service Kit when used on Elite Rail Kits and Ford OEM Under Bed			Boxed	1
58514	Shim Kit for Elite Series Center Sections			Boxed	1
19310	2-5/16 in. Hitch Ball			Boxed	1

# 25K



58079

## THE GOOSE® GOOSENECK HITCH

- In-truck platform rated for 25,000 lbs. gross vehicle towing weight and 6,250 lbs. vertical load
- Easy installation and removal allows for full access to truck bed
- Utilizes same base rails as our fifth wheel hitches
- 2-5/16 in. high strength zinc plated ball
- Rails and installation kit sold separately (30035)



Part Number	Description	Capacity (lbs.)	Pin Capacity (lbs.)	Packaging	Master Carton
58079	The Goose Gooseneck	25,000	6,250	Boxed	1
58208	Chevrolet Composite Bed Kit for Gooseneck			Boxed	1
Replacement Parts					
19310	2-5/16 in. Hitch Ball			Boxed	1

# 25K



49080

## ABOVE-BED GOOSENECK HITCH

- In-truck platform rated for 25,000 lbs. gross vehicle towing weight and 6,250 lbs. vertical load
- Easy installation and removal allows for full access to truck bed
- Utilizes same base rails as our fifth wheel hitches
- Ball is offset 2 in. to accommodate 6 ft. and 8 ft. truck beds
- 2-5/16 in. high strength zinc plated ball
- Rails and installation kit sold separately (30035)



Part Number	Description	Capacity (lbs.)	Pin Capacity (lbs.)	Packaging	Master Carton
49080	Above-Bed Gooseneck	25,000	6,250	Boxed	1
49080-024	Above-Bed Gooseneck (24 Pack)	25,000	6,250	Boxed	1
58208	Chevrolet Composite Bed Kit for Gooseneck			Boxed	1
Replacement Parts					
19310	2-5/16 in. Hitch Ball			Boxed	1

# 25K

## ELITE™ SERIES UNDER-BED GOOSENECK HITCH

- Fifth wheel ready using outer four holes to mount a fifth wheel hitch
- "Power Puck" mounting system provides uninhibited use of truck bed when gooseneck or fifth wheel hitch is dismantled
- Wide platform/mounting footprint for increased stability
- Easy under-bed bolt-in installation
- Custom-fit under-bed mounting system
- Rated for up to 35,000 lbs. gross weight capacity\*
- Pop-In™ Ball lever inside ball head activates ball bearing locking system, lift and turn lever to unlock and remove ball
- Two safety chain holders attach directly to rail system
- Hole cover keeps Pop-In™ Ball sleeve free of debris
- Includes storage bag
- Black powder coat finish
- Tested to meet or exceed SAE J2638
- Patented and patents pending



30138-26 - Ford Application



30158-68 - Chevrolet / GMC Application

# 35K



30180 - Ford Application



Part Number	Description	Capacity (lbs.)	Packaging	Master Carton
30138-26	Elite Gooseneck Complete Hitch (Includes #30126 Rail and Pop-in Ball Kit)	25,000	Boxed	1
30138	Elite Gooseneck Head with Pop-In 2-5/16 in. Ball (Use with #30126 Rail Kit)	25,000	Boxed	1
30158-68	Elite Gooseneck Complete Hitch (Includes #30868 Rail and Pop-in Ball Kit)	25,000	Boxed	1
30158	Elite Gooseneck Head with Pop-In 2-5/16 in. Ball (Use with #30852 or #30868 Rail Kit)	25,000	Boxed	1
30158-52	Elite Gooseneck Complete Hitch (Includes #30852 Rail and Pop-in Ball Kit)	25,000	Boxed	1
30158	Elite Gooseneck Head with Pop-In 2-5/16 in. Ball (Use with #30852 or #30868 Rail Kit)	25,000	Boxed	1
30180	Elite Gooseneck Head and Rail Kit (Use with #30182** Inner Frame Brackets)	35,000	Boxed	1

\*Your actual weight capacity is limited to the towing vehicle or gooseneck rail kit capacity

## ELITE™ SERIES APPLICATION GUIDE

Make / Model	Style	Years	Rail Part Number	Head Part Number	Combo Kit Part Number
<b>CHEVROLET</b>					
Silverado 2500/3500 HD	Except with OEM HD Towing Prep Package	11-19	30868	30158	30158-68
<b>DODGE / RAM</b>					
Ram 2500/3500	All Styles	10-12	30852	30158	30158-52
<b>GMC</b>					
Sierra 2500/3500 HD	Except with OEM HD Towing Prep Package	11-19	30868	30158	30158-68
<b>FORD</b>					
F-250/350/450 Super Duty	Except Cab and Chassis	11-16	30126	30138	30138-26
F-250/350/450 Super Duty	Except with Factory Prep Kit	17-21	30182**	-	30180

\*\*Inner frame brackets. 35,000 lbs. capacity with weld-on option (or with Ford OE). 27,500 lbs. capacity with bolt-on option.

## CUSTOM MOUNTING RAILS



Rails - 58058



Custom Brackets - 50064

## CUSTOM INDUSTRY STANDARD MOUNTING RAILS

- Mounting rails for full-size trucks
- Quick and easy installation with full truck bed access
- For use on all fifth wheel hitches except Elite™ Series



Part Number	Description	Packaging	Master Carton
58058	Mounting Rails, 10-Bolt Design	Boxed	1
<b>Replacement Parts</b>			
58314	Mounting Rail Brackets	Boxed	1
58503	Mounting Rail Corrugation Spacer Kit, 10-Bolt Design	Display Bag	1
58467	Mounting Rail Pins and Clips, Includes: (4) Hole Style Pins and (4) Clips	Display Bag	50
58430	Mounting Rail Installation Hardware, Includes: (10) Carriage Bolts 1/2 in. - 13 x 2 in. Grade 5, (10) Hex Nuts 1/2 in. - 13 Grade 5, (10) Plated Lockwashers 1/2 in., (10) Conical Washers 1/2 in. and (10) Blocks 5/16 in. x 1 in. x 2 in.	Display Bag	25

## CUSTOM INSTALL BRACKET APPLICATION GUIDE

Make/Model	Style	Years	Bracket	Rail	10 Bolt Kit	No Drill	Footnote
<b>CHEVROLET/GMC</b>							
Silverado/Sierra 1500	LD (Old Body Style) Does Not Fit MagneRide Magnetic Ride Suspension	99-19	50064	58058	50064-58	Ø	SW
Silverado/Sierra 1500 HD	(Classic)	01-07	50064	58058	50064-58	Ø	
Silverado/Sierra 2500		99-04	50064	58058	50064-58	Ø	
Silverado/Sierra 2500 HD		01-10	50064	58058	50064-58	Ø	
Silverado/Sierra 2500 HD	Except with OEM HD Towing Prep Package	11-19	50066	58058	50066-58	Ø	
Silverado/Sierra 3500	(Classic)	01-07	50064	58058	50064-58	Ø	
Silverado/Sierra 3500 HD		07-10	50064	58058	50064-58	Ø	
Silverado/Sierra 3500 HD	Except with OEM HD Towing Prep Package	11-19	50066	58058	50066-58	Ø	
<b>DODGE/RAM</b>							
Ram 1500	Except Mega Cab	02-08	50040	58058	50040-58	Ø	
Ram 1500	Mega Cab	06-08	50140	58058	50140-58	Ø	
Ram 1500	(Classic)	09-20	50142	58058	50142-58	Ø	SW
Ram 1500	Except w/Air Suspension or 5.7 ft. Bed (Classic)	14-20	50141	58058	50141-58	Ø	MB
Ram 2500		03-09	50140	58058	50140-58	Ø	
Ram 2500	Except Mega Cab & w/Overload Springs	03-12	50040	58058	50040-58		
Ram 2500	Except w/Gas Engines w/Overload Springs	10	50140	58058	50140-58	Ø	
Ram 2500	Except w/Gas Engines w/Overload Springs	10-12	50140	58058	50140-58		
Ram 2500		14-19	50054	58058	50054-58	Ø	
Ram 3500		03-09	50140	58058	50140-58	Ø	
Ram 3500	Except Mega Cab & w/Overload Springs	03-12	50040	58058	50040-58		
Ram 3500	Except w/Gas Engines w/Overload Springs	10-12	50140	58058	50140-58		
Ram 3500		13-20	50085	58058	50085-58	Ø	
Ram 3500		00-14	50085	58058	50085-58	Ø	
<b>FORD</b>							
F-150		04-14	50081	58058	50081-58	Ø	SW
F-150	Except Raptor	15-20	50087	58058	50087-58	Ø	SW
F-150 Heritage	Styleside	97-04	50042	58058	50042-58	Ø	
F-250	Styleside	97-99	50042	58058	50042-58	Ø	
F-250/350 Super Duty	Except Cab & Chassis	99-04	50043	58058	50043-58		
F-250/350 Super Duty	Except Cab & Chassis	99-10	50082	58058	50082-58	Ø	
F-250/350 Super Duty	Except Cab & Chassis	11-16	50026	58058	50026-58	Ø	
F-250/350 Super Duty	Except Dual Rear Wheel or Cab & Chassis	17-20	50074	58058	50074-58		
F-450 Super Duty	Except Cab & Chassis	08-10	50082	58058	50082-58	Ø	
F-450 Super Duty	Except Cab & Chassis	11-16	50026	58058	50026-58	Ø	
<b>TOYOTA</b>							
Tundra		07-21	50084	58058	50084-58	Ø	SW

MB = Will not fit models equipped with air suspension package

SW = Do not install on a truck with less than a 6' long bed unless the trailer is equipped with a Sidewinder pin box coupler #SW16K or #SW19K





Rails - 30153



Brackets - 56023

## OUTBOARD INDUSTRY STANDARD MOUNTING RAILS

- Rails are wider (48 in.) for faster install, because the mounting points are outside the truck frame, allowing the installer to avoid under-bed components
- Grade 8 hardware, meets all Canadian requirements
- SAE J2638 Compliant to 27K with M5 ISR fifth wheel hitch



Part Number	Description	Packaging	Master Carton
30153	Outboard Mounting Rails, 10-Bolt Design	Boxed	1
<b>Replacement Parts</b>			
58467	Outboard Mounting Rail Pins and Clips, Includes: (4) Hole Style Pins and (4) Clips	Display Bag	50
58503	Outboard Mounting Rail Corrugation Spacer Kit, 10-Bolt Design	Display Bag	1
58504	Outboard Mounting Rail Installation Hardware, Includes: (10) Carriage Bolts 1/2 in. - 13 x 2 in., Grade 8, (10) Hex Nuts 1/2 in. - 13 Grade 5 and (10) Blocks 5/16 in. x 1 in. x 2 in., 10-Bolt Design	Display Bag	1

*NOTE: Based on heavy duty, accelerated life cycle criteria developed by SAE for fifth wheels. SAE J2638 is a fatigue and static requirements of new European style test of 900,000 cycles*

## OUTBOARD CUSTOM INSTALL BRACKET APPLICATION GUIDE

Make/Model	Style	Years	Bracket	Rail	10 Bolt Kit	No Drill	Footnote
<b>CHEVROLET/GMC</b>							
Silverado/Sierra 1500	LD (Old Body Style) Does Not Fit MagneRide Magnetic Ride Suspension	99-19	56007	30153	56007-53	Ø	SW
Silverado/Sierra 1500	New Body Style	99-21	56015	30153	56007-53	Ø	SW
Silverado/Sierra 1500 HD	(Classic)	01-07	56007	30153	56007-53	Ø	
Silverado/Sierra 2500		99-04	56007	30153	56007-53	Ø	
Silverado/Sierra 2500 HD		01-10	56007	30153	56007-53	Ø	
Silverado/Sierra 2500 HD	6.6 ft. Bed	08-10	56014	30153	56004-53	Ø	
Silverado/Sierra 2500 HD	Except with OEM HD Towing Prep Package	11-19	56001	30153	56001-53	Ø	
Silverado 2500 HD		20-21	56023	30153	56023-53	Ø	
Sierra 2500 HD	Except with Carbon Pro Bed	20-21	56023	30153	56023-53	Ø	
Silverado/Sierra 3500	(Classic)	01-07	56007	30153	56007-53	Ø	
Silverado/Sierra 3500 HD		07-10	56007	30153	56007-53	Ø	
Silverado/Sierra 3500 HD	6.6 ft. Bed	08-10	56014	30153	56004-53	Ø	
Silverado/Sierra 3500 HD	Except with OEM HD Towing Prep Package	11-19	56001	30153	56001-53	Ø	
Silverado 3500 HD		20-21	56023	30153	56023-53	Ø	
Sierra 3500 HD	Except with Carbon Pro Bed	20-21	56023	30153	56023-53	Ø	
<b>DODGE/RAM</b>							
Ram 1500		19-20	56018	30153	56018-53	Ø	
Ram 2500		03-13	56011	30153	56011-53	Ø	
Ram 2500		14-21	56009	30153	56009-53	Ø	
Ram 3500		03-12	56011	30153	56011-53	Ø	
Ram 3500	Except w/RamBox Cargo Management System or Models w/Air Suspension	13-18	56010	30153	56010-53	Ø	
Ram 3500	Except w/RamBox Cargo Management System or Models w/Air Suspension	19-20	56021	30135	56021-53	Ø	
<b>FORD</b>							
F-150		04-14	56006	30153	56006-53	Ø	SW
F-150	Except Raptor	15-20	56034	30153	56034-53	Ø	SW
F-250/350 Super Duty	Except Cab & Chassis	99-10	56005	30153	56005-53	Ø	
F-250/350 Super Duty	Except Cab & Chassis	11-16	56016	30153	56016-53	Ø	
F-250/350 Super Duty	Except Cab & Chassis	17-21	56017	30153	56017-53	Ø	
F-450 Super Duty	Except Cab & Chassis	08-10	56005	30153	56005-53	Ø	
F-450 Super Duty	Except Cab & Chassis	11-16	56016	30153	56016-53	Ø	
F-450 Super Duty	Except Cab & Chassis	17-21	56017	30153	56017-53	Ø	

SW = Do not install on a truck with less than a 6' long bed unless the trailer is equipped with a Sidewinder pin box coupler #SW16K or #SW19K



Rails and Installation Kit - 30035

## UNIVERSAL INDUSTRY STANDARD RAIL INSTALLATION KITS



- Installation kits for full-size trucks
- Quick and easy installation with full truck bed access
- For use on all fifth wheel hitches except Elite™ Series
- May require additional kit - see application guide

Part Number	Description	Packaging	Master Carton
30035	Fifth Wheel Rails and Installation Kit, Includes Brackets and Hardware, 10-Bolt Design	Boxed	1
30035-040†	Fifth Wheel Rails and Installation Kit, Includes Brackets and Hardware, 10-Bolt Design	Boxed (40 Pack)	1

## UNIVERSAL INDUSTRY STANDARD RAIL KIT APPLICATION GUIDE

Make/Model	Style	Years	Rail	Required Adapter	Footnote
<b>CHEVROLET/GMC</b>					
C/K Series		73-00	30035		
Silverado/Sierra 1500	(Classic)	99-07	30035		
Silverado/Sierra 1500	LD (Old Body Style) Except High Desert Package	07-19	30035		
Silverado/Sierra 1500 HD	(Classic)	01-07	30035		
Silverado/Sierra 2500		99-04	30035		
Silverado/Sierra 2500 HD	Except with OEM HD Towing Prep Package	01-19	30035		
Silverado/Sierra 3500	(Classic)	01-07	30035		
Silverado/Sierra 3500 HD	Except with OEM HD Towing Prep Package	07-19	30035		
<b>DODGE/RAM</b>					
D Series		73-93	30035		
Dakota		94-04	30035		
Ram 1500		94-01	30035		
Ram 1500		02-08	30035	58023	
Ram 1500		09-12	30035	58386	SW
Ram 1500	Except w/Air Suspension or w/ECODiesel Engine (Classic)	13-20	30035	58386	MB, SW
Ram 1500	Except w/Air Suspension (Classic)	14-20	30035	58523	MB, SW
Ram 2500		94-02	30035		
Ram 2500	Except w/Overload Springs	03-13	30035	58023	
Ram 2500	w/Overload Springs	03-12	30035	58186	
Ram 2500		14-21	30035	58522	
Ram 3500		94-02	30035		
Ram 3500	Except w/Overload Springs	03-12	30035	58023	
Ram 3500	w/Overload Springs	03-12	30035	58186	
Ram 3500		13-20	30035	58520	
<b>FORD</b>					
F-100		75-83	30035		
F-150		75-96	30035		
F-150	Styleside, Except SuperCrew	97-03	30035		
F-150		04-14	30035	58426	
F-150	Except Raptor	15-20	30035	58531	
F-150 Heritage	Styleside	04-04	30035		
F-250/350		75-96	30035		
F-250/350	Heavy Duty	77-97	30035		
F-250/350	Styleside	97-99	30035		
F-250/350 Super Duty	Except Cab & Chassis	99-17	30035		
F-450 Super Duty	Except Cab & Chassis	08-16	30035		
<b>NISSAN</b>					
Titan		04-15	30035	58405	SW
<b>TOYOTA</b>					
Tundra	Regular Cab 8 ft. Bed	00-06	30035	58197	
Tundra		07-21	30035		SW

MB = Will not fit models equipped with air suspension package

SW = Do not install on a truck with less than a 6' long bed unless the trailer is equipped with a Sidewinder pin box coupler #SW16K or #SW19K

FIFTH WHEEL HITCH VERTICAL ADJUSTMENT

Part Number	Description	Minimum (in.)	Maximum (in.)
30047	16K	13-1/2	17
30093†	16K	12-1/2	16-1/2
30075	16K with Round Tube Slider	15-1/2	17-3/4
30051	16K with Square Tube Slider	14 3/4	17
30094†	16K with Square Tube Slider	14	16-3/4
30142†	18K Elite	14-1/2	18-1/4
30144†	18K Elite with Slider	16-1/2	19
30890	20K M5	14	18
30081†	20K	13-1/4	17
30119	20K	13-1/2	17

Part Number	Description	Minimum (in.)	Maximum (in.)
30083†	20K with Round Tube Slider	15-1/4	17 3/4
30084†	20K with Square Tube Slider	14-3/4	17-1/4
30121†	20K with Square Tube Slider	14-3/4	17-1/4
30160†	20K Ram Drop In	14-1/4	18
30033†	22K	13	17
30862†	25K	13-1/4	16-3/4
30143†	25K Elite	14-1/2	17
30871†	26.5K Elite	15	17-1/2
30054	30K Low Profile	9-1/2	12-1/2

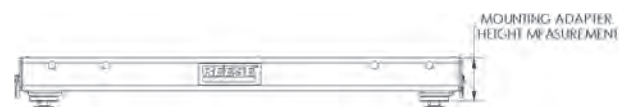


MOUNTING RAIL HEIGHT

Part Number	Description	Height (in.)
58058	10-Bolt Inboard Rail	1
30153	10-Bolt Outboard Rail	1-3/4
30126	Elite Rail Kit, Ford	0
30868	Elite Rail Kit, GM	0
30852	Elite Rail Kit, Dodge	0

RAIL KIT ADAPTER HEIGHT

Part Number	Description	Height (in.)
30156	Ford OE / Elite Rail Kit Adapter	3-1/4
30154	RAM OE Rail Kit Adapter	2-3/4

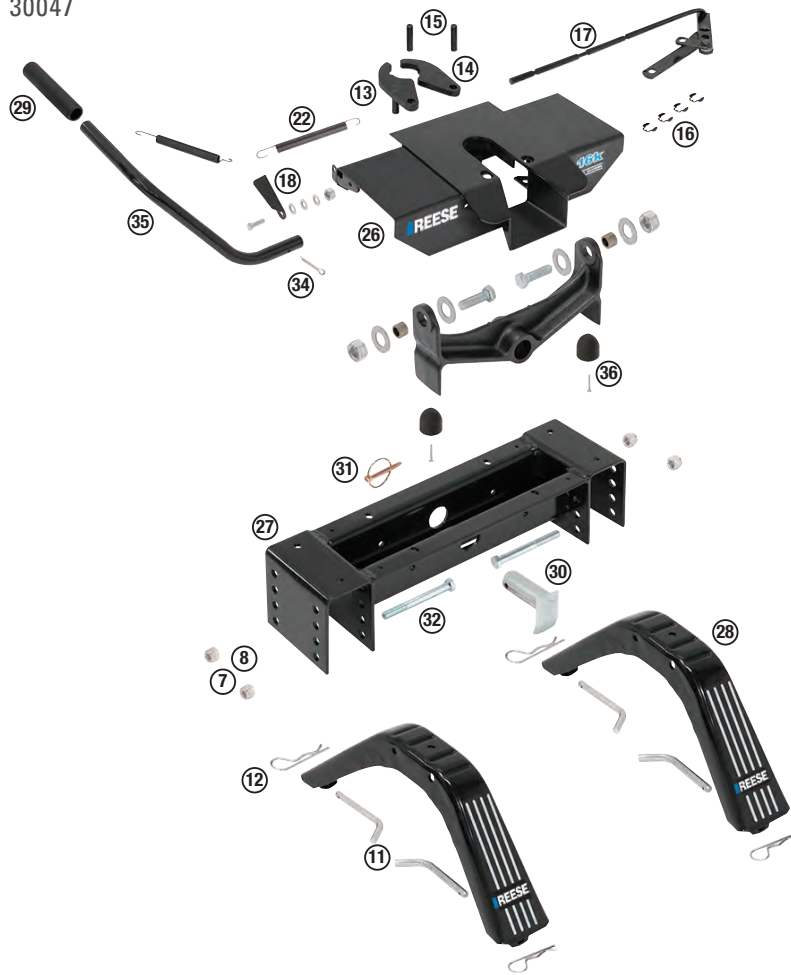


† = Available While Supplies Last

**REPLACEMENT PARTS**

**16K FIFTH WHEEL HITCH**

• Part Number: 30047

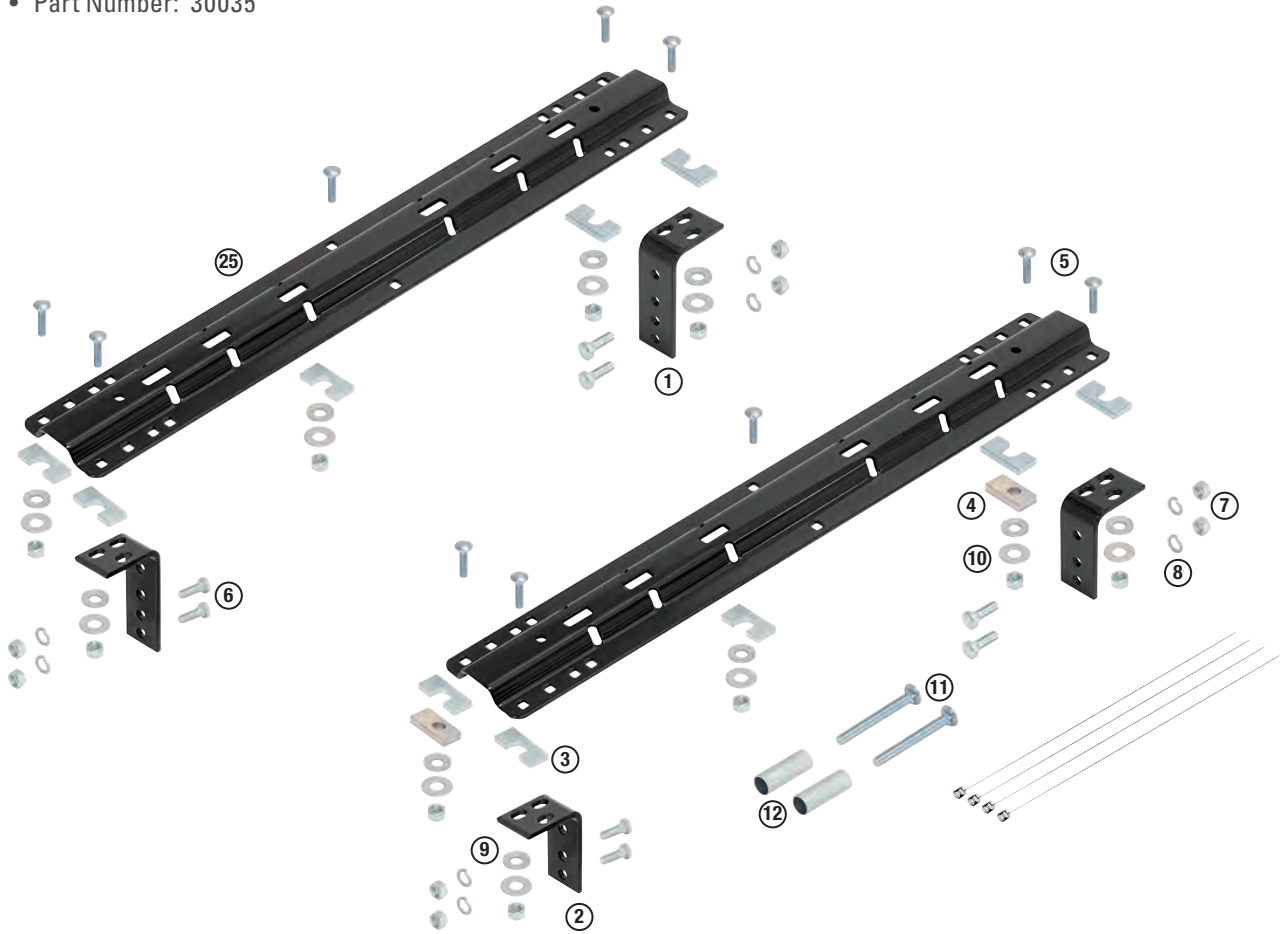


Part Number	Ref.	Qty.	Description
58146	26	1	16K Head Assembly
58147	27	1	16K Head Support
58053			Pull Pin Kit
	11	4	Pull Pins
	12	4	Spring Cotter Pins
58056			Jaw Kit
	13	1	Jaw LH (Weldment)
	14	1	Jaw RH (Weldment)
	15	2	Jaw Pivot Pins
	16	4	Klip Rings
58055			Handle Kit
	29	1	Cushion Grip
	34	1	Cotter Pin
	35	1	Handle Tube
58094	29	1	Cushion Grip
30579	17	1	Actuating Rod
58054			Klip Ring Kit
	16	10	Klip Rings

Part Number	Ref.	Qty.	Description
30776			Spring Kit
	22	1	Spring
58521			16K Head Assembly Hardware
	4		1/2 in. Nut
	34	1	Cotter Pin
	32	4	Hex Bolts, 1/2 in.-13 x4.5 in. HNCS
	2		Rubber Bumpers
	2		8-32 Nuts
	22	4	Spring Clips
	2		Machine Screws, 8-32 x 1
	4		Pull Pins
58484	30	1	Pivot Pin
55478†	31	1	Klik Pin
30416	18	1	Locking Latch
30727	28	2	Legs Only
58089	36		Bumper Kit
	2		8-32x1 Screws
	2		8-32 Nuts
	2		Bumpers

# MOUNTING RAILS

• Part Number: 30035



Part Number	Ref.	Qty.	Description
30439			Mounting Kit – Less Rails
	1	2	Brackets – Long
	2	2	Brackets – Short
	3	10	Spacer
	4	2	Spacers
	5	10	Carriage Bolts (1/2 in.-13 x 2 in.)
	6	8	Knurl Bolts (1/2 in.-13 x 1-1/2 in.)
	7	18	Hex Nut Heads (1/2 in.-13)
	8	18	Lock Washers (1/2 in.)
	9	6	Conical Washers (1/2 in.)
	10	4	Flat Washers (1/2 in.)
	11	2	Carriage Bolts (1/2 in.-13 x 4 in.)
	12	2	Bushings

Part Number	Ref.	Qty.	Description
58058	25		Base Rail Kit – Less Mounting Kit
		2	Base Rails
58166			Dodge Hardware Upgrade Kit (2002 Half-Ton Only)
	11	2	Carriage Bolts (1/2 in.-13 x 4 in.)
	12	2	Bushings
58164		1	Rail Kit Hardware (Minus Mounting Brackets)
58314		1	Mounting Brackets (Minus Hardware)
55055	6	1	Knurl Bolt (1/2 in.-13 x 1-1/2 in.)

**DISCONTINUED PRODUCTS**



30093t

**LAST CHANCE**

**16K FIFTH WHEEL HITCH**

Part Number	Description	Capacity (lbs.)	Substitute Part Number	Packaging	Master Carton
30099t	16K Fifth Wheel Head and Support	16,000	30047	Boxed	1
30093t	16K Fifth Wheel	16,000	30047	Boxed	1
30128t	16K Fifth Wheel Head, Support, Legs and Rails	16,000	30047	Boxed	1



30094t

**LAST CHANCE**

**16K FIFTH WHEEL HITCH WITH SQUARE TUBE SLIDER**

Part Number	Description	Capacity (lbs.)	Substitute Part Number	Packaging	Master Carton
30094t	16K Fifth Wheel Head, Support and Slider	16,000	30051	Boxed	1
30129t	16K Fifth Wheel Head, Support, Slider and Rails	16,000	30051	Boxed	1



30143t

**LAST CHANCE**

**ELITE™ SERIES FIFTH WHEEL HITCHES**

Part Number	Description	Capacity (lbs.)	Substitute Part Number	Packaging	Master Carton
30142t	18K Elite Series Fifth Wheel, Pre-Assembled	18,000	30928	Boxed	1
30144t	18K Elite Series Fifth Wheel with Slider, Pre-Assembled	18,000	30928	Boxed	1
30143t	25K Elite Series Fifth Wheel, Pre-Assembled	25,000	30929	Boxed	1
30871t	26.5K Elite Series Fifth Wheel, Pre-Assembled	26,500	30929	Boxed	1



30081t

**LAST CHANCE**

**20K FIFTH WHEEL HITCH WITH ELITE™ SERIES HEAD**

Part Number	Description	Capacity (lbs.)	Substitute Part Number	Packaging	Master Carton
30081t	20K Fifth Wheel	20,000	30928	Boxed	1
30083t	20K Fifth Wheel with Round Tube Slider	20,000	30928	Boxed	1
30084t	20K Fifth Wheel with Square Tube Slider	20,000	30928	Boxed	1



30121t

**LAST CHANCE**

**20K FIFTH WHEEL HITCH WITH SQUARE TUBE SLIDER**

Part Number	Description	Capacity (lbs.)	Substitute Part Number	Packaging	Master Carton
30121t	20K Fifth Wheel Head, Support and Slider	20,000	30928	Boxed	1
30133t	20K Fifth Wheel Head, Support, Slider and Rails	20,000	30928	Boxed	1



30033t

### ⌚ LAST CHANCE 22K FIFTH WHEEL HITCH

Part Number	Description	Capacity (lbs.)	Substitute Part Number	Packaging	Master Carton
30033t	22K Fifth Wheel	22,000	30929	Boxed	1



30862t

### ⌚ LAST CHANCE 25K FIFTH WHEEL HITCH

Part Number	Description	Capacity (lbs.)	Substitute Part Number	Packaging	Master Carton
30862t	25K Fifth Wheel	25,000	30929	Boxed	1



30160t

### ⌚ LAST CHANCE FIFTH WHEEL DROP-IN FOR RAM 2500/3500 HD

Part Number	Description	Capacity (lbs.)	Substitute Part Number	Packaging	Master Carton
30160t	Fifth Wheel Drop-In for 13-19 RAM 2500 HD and 3500 HD with Factory Installed OE Rail System	20,000	30918	Boxed	1
30863t	RAM Drop-In Center Section			Boxed	1
30864t	RAM Drop-In Base Arches			Boxed	1



30092t

### ⌚ LAST CHANCE SQUARE TUBE SLIDER

Part Number	Description	Capacity (lbs.)	Substitute Part Number	Packaging	Master Carton
30092t	Square Tube Slider	20,000	30048	Boxed	1



83003t

### ⌚ LAST CHANCE LUBE PLATE

Part Number	Description	Capacity (lbs.)	Substitute Part Number	Packaging	Master Carton
83003t	Lube Plate for Titan 16K Fifth Wheel Hitches	-	-	Boxed	1
6011t	Lube Plate for Select Series 16K and 22K and REESE Fifth Wheel Hitches	-	-	Litho Box	10

6011t

t = Available while supplies last



# GOOSENECK HITCHES

Gooseneck hitch systems conveniently allow unrestricted use of the pickup bed. In-truck platforms support 2-5/16 in. and 3 in. hitch balls. All framework for gooseneck trailer hitches reside under the bed of the truck with only the ball exposed above the bed of the truck. Stronger, and able to utilize the full suspension of the truck, gooseneck hitch systems are rated up to full towing capacity of the vehicle as determined by the manufacturer.

Draw-Tite® gooseneck hitches are offered in a few types of configurations. They are designed to be mounted above or below the pickup bed. Either design (above or below) allows for minimal obstruction when the ball is not in the towing position. This permits full use of the pick-up bed.

## GOOSENECK COUPLER FOR RVS

16K Goose Box™	G-3
20K Goose Box™	G-3
Goose Box™ Accessories	G-3

## ELITE™ SERIES GOOSENECK HITCH SYSTEMS

Complete Under-Bed System	G-4
Complete Under-Bed System Application Guide	G-4
Pop-In™ Ball Kit	G-5

## DRAW-TITE® GOOSENECK HITCH SYSTEMS

Hide-A-Goose™	G-6
Fold-Down	G-7
Remov-A-Ball®	G-7
Draw-Tite® Gooseneck Application Guide	G-8
Installation Tools	G-8

## ABOVE-BED GOOSENECK HITCH SYSTEMS

Hi-Rise™ Conversion Hitch	G-5
Elite™ Series	G-9
The Goose™	G-9
Standard Series	G-9

## TECHNICAL INFORMATION

G-10



# NEW

## HIDE-A-GOOSE™ GOOSENECK FOR RAM

- 2019 - 2021 RAM HD application
- Rated up to 35,000 lbs. gross trailer weight and 5,250 lbs. vertical load, tested to SAE J2638 Static and REESE® Dynamic Specs
- Allows full use of pick-up bed area when hauling cargo
- 2-5/16 in. high strength chrome plated ball standard, 3 in. ball optional
- No alteration of OE exhaust systems required
- Accomodates all standard vehicle suspensions
- Rubber cover protects ball when not in use
- "No Rail" system - ships complete in one box
- 60 minute installtion - fastest in the industry
- See page G-6 for additional information



# FEATURED

## ELITE™ SERIES GOOSENECK FOR FORD

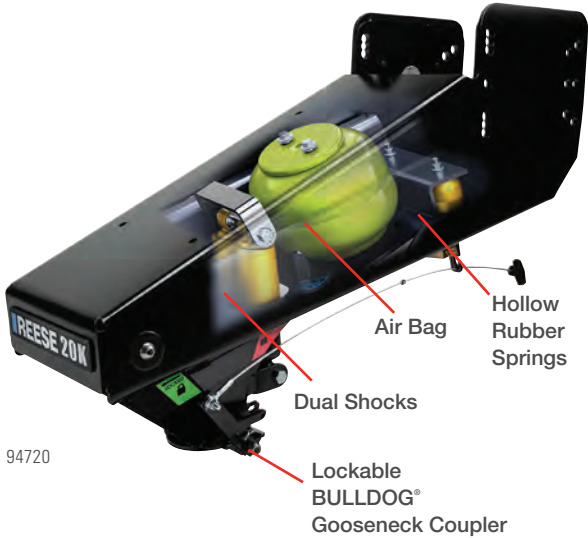
- 2017 - 2021 Ford Super Duty application
- "Power Puck" mounting system provides uninhibited use of truck bed when gooseneck or fifth wheel hitch is dismounted
- Wide platform/mounting footprint for increased stability
- Easy under-bed bolt-in installation
- Custom-fit under-bed mounting system
- Rated for up to 35,000 lbs. gross weight capacity\*
- Pop-In™ Ball lever inside ball head activates ball bearing locking system, lift and turn lever to unlock and remove ball
- Fifth wheel ready using outer four holes to mount a fifth wheel hitch
- Tested to meet or exceed SAE J2638
- Patented and patents pending
- See page G-4 for additional information



# 20K

## GOOSE BOX™ GOOSENECK COUPLER FOR RVs

Take the heavy equipment out of the truck bed!  
The Goose Box™ gooseneck coupler is specifically designed for RV trailer owners who wish to tow with their gooseneck hitch.



94720

- Replaces a traditional pin box so the RV works with a gooseneck hitch
- Step up to RV comfort and keep your gooseneck hitch
- Endorsed by Lippert Components, Inc. for their frame systems
- 5th Airborne™ technology for superior ride performance
- Lockable BULLDOG® gooseneck coupler
- Improved air bag, dual shocks and hollow rubber springs provide multi-directional shock absorption
- Increased height adjustment capability for today's taller truck beds
- Easy reach lanyard
- Onboard safety chain storage
- Air pressure relief valve prevents overfilling
- Rated for 16K and 20K lbs. capacity utilizing both CSA and SAE J2638 test standards
- Patented and patents pending
- Fits wing set make and model #'s:
  - Lippert #1621 - Lippert #1621 HD - Lippert #0719
  - Fabex PB-600 Series
- Spacer kit required for installation on:
  - Lippert #1716 - Lippert #1116 - Lippert #0115



# 16K



94716

Part Number	Description	Capacity (lbs.)	Packaging	Master Carton
94716	Goose Box For Lippert #1621 and #1716 Wing Sets	16,000	Boxed	1
94720	Goose Box For Lippert #1621 and #1716 Wing Sets	20,000	Boxed	1
<b>Accessory Parts</b>				
49150	Safety Chain Kit, Contains: (2) Grade 70, 5/16 in. x 44 in. with 5/16 in. Clevis Hook and Mounting Hardware	16,000	Plastic Shroud	1
49151	Safety Chain Kit, Contains: (2) Grade 70, 5/16 in. x 44 in. with 5/16 in. Clevis Hook and Mounting Hardware	20,000	Plastic Shroud	1
61301	Spacer Kit		Boxed	1
<b>Replacement Part</b>				
86007	Air System Service Kit		Boxed	1



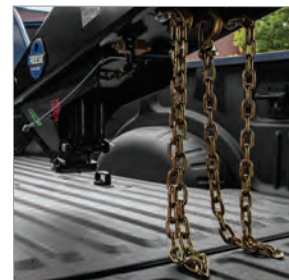
Automatically locks when coupling



Lockable BULLDOG® coupler for added security



Increased height adjustment for taller truck beds



Safety chains with clevis hook and storage on unit

# 25K

## ELITE™ SERIES UNDER-BED GOOSENECK HITCH

- "Power Puck" mounting system provides uninhibited use of truck bed when gooseneck or fifth wheel hitch is dismantled
- Wide platform/mounting footprint for increased stability
- Easy under-bed bolt-in installation
- Custom-fit under-bed mounting system
- Rated for up to 35,000 lbs. gross weight capacity\*
- Pop-In™ Ball lever inside ball head activates ball bearing locking system, lift and turn lever to unlock and remove ball
- Fifth wheel ready using outer four holes to mount a fifth wheel hitch
- Two safety chain holders attach directly to rail system
- Hole cover keeps Pop-In™ Ball sleeve free of debris
- Includes storage bag
- Black powder coat finish
- Tested to meet or exceed SAE J2638
- Patented and patents pending



30138-26 - Ford Application



30158-68 - Chevrolet / GMC Application

# 35K



30180 - Ford Application



Part Number	Description	Capacity (lbs.)	Packaging	Master Carton
30138-26	Elite Gooseneck Complete Hitch (Includes #30126 Rail and Pop-in Ball Kit)	25,000	Boxed	1
30138	Elite Gooseneck Head with Pop-In 2-5/16 in. Ball (Use with #30126 Rail Kit)	25,000	Boxed	1
30158-68	Elite Gooseneck Complete Hitch (Includes #30868 Rail and Pop-in Ball Kit)	25,000	Boxed	1
30158	Elite Gooseneck Head with Pop-In 2-5/16 in. Ball (Use with #30852 or #30868 Rail Kit)	25,000	Boxed	1
30158-52	Elite Gooseneck Complete Hitch (Includes #30852 Rail and Pop-in Ball Kit)	25,000	Boxed	1
30158	Elite Gooseneck Head with Pop-In 2-5/16 in. Ball (Use with #30852 or #30868 Rail Kit)	25,000	Boxed	1
30180	Elite Gooseneck Head and Rail Kit (Use with #30182** Inner Frame Brackets)	35,000	Boxed	1

\*Your actual weight capacity is limited to the towing vehicle or gooseneck rail kit capacity

## ELITE™ SERIES APPLICATION GUIDE

Make / Model	Style	Years	Rail Part Number	Head Part Number	Combo Kit Part Number
<b>CHEVROLET</b>					
Silverado 2500/3500 HD	Except with OEM HD Towing Prep Package	11-19	30868	30158	30158-68
<b>DODGE / RAM</b>					
Ram 2500/3500	All Styles	10-12	30852	30158	30158-52
<b>GMC</b>					
Sierra 2500/3500 HD	Except with OEM HD Towing Prep Package	11-19	30868	30158	30158-68
<b>FORD</b>					
F-250/350/450 Super Duty	Except Cab and Chassis	11-16	30126	30138	30138-26
F-250/350/450 Super Duty	Except with Factory Prep Kit	17-21	30182**	-	30180

\*\*Inner frame brackets. 35,000 lbs. capacity with weld-on option (or with Ford OE). 27,500 lbs. capacity with bolt-on option.

**UNDER-BED SYSTEMS**

# 30K

## ELITE™ SERIES POP-IN™ BALL KIT

- Ball rated for 30,000 lbs. capacity\*
- Pop-In™ Ball – lever inside ball head activates ball bearing locking system, lift and turn lever to unlock and remove ball
- Two safety chain holders



Part Number	Description	Packaging	Master Carton
30137	Elite Pop-In Ball Kit, Includes: (1) 2-5/16 in. Pop-In Ball #19311, (1) Storage Bag, (2) Safety Chain Attachments and (1) Hole Cover	Boxed	1
30140	Elite Series Under-Bed Gooseneck Accessories Kit, RAM OEM Kit Only - Includes: 2-5/16 in. Pop-In Ball #19311, Storage Bag, Safety Chain Attachments and Hole Cover	Boxed	1
30888	Elite Pop-In Ball Kit- RAM OEM Kit Only, Includes: (1) 2 5/16 in. Pop-In Ball #19311, (1) Storage Bag, (2) Safety Chain Attachments #30887 and (1) Hole Cover	Boxed	1
Replacement Parts			
30134	Safety Chain Attachment for Elite Under-Bed Gooseneck Hitch	Boxed	1
58468	Safety Chain Attachment for Elite Under-Bed Gooseneck Hitch	Boxed	1
30887	Safety Chain Attachment for Under-Bed Gooseneck, RAM OEM Kit Only	Boxed	1
30145	Safety Chain Attachment for Elite Under-Bed Bolt-On Gooseneck, RAM OEM Kit Only	Display Bag	20
30136	Hole Cover for Elite Under-Bed Gooseneck Hitch	Boxed	1
30135	Storage Bag for Elite Under-Bed Bolt-On Gooseneck 2-5/16 in. Pop-In Ball #19311	Display Bag	1
19315	1 in. High Rise, 2-5/16 in. Pop-In Ball for Elite Under-Bed Gooseneck Hitch (Not for use with GM factory installed rail systems)	Boxed	1
19311	2-5/16 in. Pop-In Ball for Elite Under-Bed Gooseneck Hitch	Boxed	1
19314	3 in. Pop-In Ball for Elite Under-Bed Gooseneck Hitch	Boxed	1

*\*Your actual weight capacity is limited to the towing vehicle or gooseneck rail kit capacity*

# 18K

## HI-RISE™ CONVERSION HITCH

- Converts a gooseneck hitch into a fifth wheel hitch
- 18,000 lbs. capacity / 4,500 lbs. pin weight capacity
- 4-way pivoting head with self latching jaw design
- 4 degree side-to-side pivot for better control
- 2 bolts for bed height adjustments
- Offset legs enhance performance while braking
- Adjustable stabilizer strips fit bed corrugation pattern
- Lockable, extended length handle
- Only works with B&W gooseneck hitch and REESE® (94xx) series heads utilizing (44xx) series rails



NOTE: Not rated for use with Sidewinder

Part Number	Description	Capacity (lbs.)	Vertical Adjust. (in.)	Packaging	Master Carton
9480	Hi-Rise Conversion	18,000	14-1/4 to 18	Boxed	1
Replacement Parts					
58438	Stabilizer Strips			Boxed	1
117300	Elite Fifth Wheel Head Kit			Boxed	1

## DRAW-TITE® GOOSENECK HITCH SYSTEMS

- Draw-Tite has designed a number of Gooseneck Hitch Systems to meet your gooseneck towing needs. The secret of the system is in the rail kit. We've designed rail kits to fit your specific truck that can attach to your choice of: Hide-A-Goose™, Fold-Down or Remov-A-Ball® heads.
- Easy install, reliable service
- Same rail kit - 3 methods of head attachment (use fit guide on page G-8 and select your vehicle)
  - Option #1 Hide-A-Goose™ – ball stores in truck bed
  - Option #2 Fold-Down – ball folds down in truck bed
  - Option #3 Remov-A-Ball® – ball removes and is stored separately



# 30K



9468-94

9485



9460



9465



9466



9468



### 30K HIDE-A-GOOSE™ GOOSENECK HITCH HEAD

- Rated up to 30,000 lbs. gross trailer weight and 7,500 lbs. vertical load, tested to SAE J2638 Static and REESE® Dynamic Specs
- Allows full use of pick-up bed area when hauling cargo
- No alteration of OE exhaust systems required
- Accommodates all standard vehicle suspensions
- 2-5/16 in. high strength chrome plated ball standard, 3 in. ball optional
- Magnetic cover protects ball hole when not in use
- Dynamic Specs for 30,000 lbs. gross vehicle weight rating
- Rail kits to match manufacturer's vehicle weight ratings
- Spring loaded safety chain loops included
- Requires installation rail kit (except #9485)



Part Number	Description	Capacity (lbs.)	Pin Capacity (lbs.)	Packaging	Master Carton
9460	Wide Hitch Head	30,000	7,500	Boxed	1
9465	Narrow Hitch Head	30,000	7,500	Boxed	1
9464	Wide Hitch Head	30,000	7,500	Boxed	1
9485	RAM Hitch Head, (Does Not Require Rail Kit)	20,000	5,000	Boxed	1
9466	RAM 3500 Hitch Head	30,000	7,500	Boxed	1
9467	RAM 2500 Hitch Head	20,000	5,000	Boxed	1
9468	Ford Super Duty Hitch Head	32,500	7,500	Boxed	1
Replacement Parts					
58389	Round Magnetic Ball Cover			Display Bag	10
58524	Round Ball Cover for RAM 2500/3500			Display Bag	50
58312	Gooseneck Head U-Bolt Kit			Boxed	1
58321	Gooseneck Head U-Bolt Kit for GM HD			Display Bag	25
19309	2-5/16 in. Hitch Ball			Boxed	1
19306	2-5/16 in. Hitch Ball with 1 in. Rise			Boxed	1
19308	2-5/16 in. Hitch Ball with 5 in. Offset			Boxed	1
19307	3 in. Hitch Ball			Boxed	1

# 25K

## 25K FOLD-DOWN GOOSENECK HITCH HEAD

- Access Fold-Down design allows unrestricted use of the truck bed when not towing
- Platform and ball rated for 25,000 lbs. gross vehicle towing weight and 6,250 lbs. vertical load
- Takes only seconds to raise or lower the ball into position
- 2-5/16 in. high strength chrome plated ball standard
- Includes mounting hardware and integrated drop down spring loaded safety chain loops
- Oversize pull ring allows user to raise or lower the ball while wearing gloves
- Integrated grease fitting is visible and easily accessible
- Rail kits to match manufacturer's vehicle weight ratings
- No alteration of factory exhaust systems required
- Requires installation rail kit



8339

Part Number	Description	Capacity (lbs.)	Pin Capacity (lbs.)	Packaging	Master Carton
8339	Fold-Down Gooseneck	25,000	6,250	Boxed	1
Replacement Parts					
6308	U-Bolt Safety Chain Kit			Litho Box	25

# 30K

## 30K REMOV-A-BALL® GOOSENECK HITCH HEAD

- Allows full use of pick-up bed area when hauling cargo
- In-truck platform is rated for 30,000 lbs. gross trailer weight and 7,500 lbs. vertical load and tested to V.E.S.C.-19 specs for 30,000 lbs. gross vehicle weight rating
- No alteration of OE exhaust systems required
- Accommodates all standard vehicle suspensions
- 2-5/16 in. high strength zinc plated ball standard
- Spring loaded chrome sliding pin ensures positive ball lock
- Lockable to prevent ball theft (lock not included)
- Magnetic cover protects ball hole and activating lever slot when not in use
- In-truck platform may be used with rail kits or installed directly to any vehicle with adequate securing structure
- Rail kits are rated to match manufacturer's vehicle weight ratings
- Spring loaded safety chain loops included
- Requires installation rail kit



6300

Part Number	Description	Capacity (lbs.)	Pin Capacity (lbs.)	Packaging	Master Carton
6300	Remov-A-Ball Gooseneck	30,000	7,550	Litho Box	1
Replacement Parts					
5983	Rectangular Magnetic Ball Cover			Boxed	1
6308	U-Bolt Safety Chain Kit			Litho Box	25
5973	2-5/16 in. Hitch Ball			Boxed	4

## DRAW-TITE® GOOSENECK HITCH SYSTEM APPLICATION GUIDE

Make/Model	Style	Years	Rail	FN	Head	Combo Kit	Fold-Down	Remov-A-Ball
<b>CHEVROLET/GMC</b>								
C/K Series	Except Crew Cab	88-00	4440	KE	9465	9465-40	8339	6300
Silverado/Sierra 1500	LD (Old Body Style) Does Not Fit MagneRide Magnetic Ride Suspension	99-19	4454	TV	9465	9465-54	8339	6300
Silverado/Sierra 1500 HD	(Classic)	01-07	4454		9465	9465-54	8339	6300
Silverado/Sierra 2500		99-04	4434		9465	9465-34	8339	6300
Silverado/Sierra 2500	6.6 ft. Bed	99-04	4454		9465	9465-54	8339	6300
Silverado/Sierra 2500 HD		01-10	4434		9465	9465-34	8339	6300
Silverado/Sierra 2500 HD	Except with OEM HD Towing Prep Package	11-19	4456	KH	9465	9465-56	8339	6300
Silverado/Sierra 3500	8 ft. Bed	01-02	4445		9465	9465-45	8339	6300
Silverado/Sierra 3500 HD		07-10	4434		9465	9465-34	8339	6300
Silverado/Sierra 3500 HD	Except with OEM HD Towing Prep Package	11-19	4456	KH	9465	9465-56	8339	6300
<b>DODGE/RAM</b>								
Ram 1500		94-01	4439		9460	9460-39	8339	6300
Ram 1500	Except Mega Cab	02-08	4438		9464	9464-38	8339	6300
Ram 1500	Mega Cab	06-08	4435	JR	9464	9464-35	8339	6300
Ram 1500		09-10	4446		9464	9464-46	8339	6300
Ram 1500	Except w/Air Suspension (Classic)	11-20	4446		9464	9464-46	8339	6300
Ram 2500		94-02	4439		9460	9460-39	8339	6300
Ram 2500		03-12	4435	JR	9464	9464-35	8339	6300
Ram 2500		10-13	4457	JR, TX	9464	9464-57	8339	6300
Ram 2500	Head Does Not Require Rail Kit	14-18	-		9467	-	-	-
Ram 3500		94-02	4439		9460	9460-39	8339	6300
Ram 3500		03-12	4435	JR, TX	9464	9464-35	8339	6300
Ram 3500		10-12	4457		9464	9464-57	8339	6300
Ram 3500	Head Does Not Require Rail Kit	13-18	-		9466	-	-	-
<b>FORD</b>								
F-150		04-14	4437		9465	9465-37	8339	6300
F-150	Except Raptor	15-20	4491		9465	9465-91	-	-
F-250/350 Super Duty	Except Cab & Chassis	99-16	4449		9460	9460-49	8339	6300
F-250/350 Super Duty	Except Cab & Chassis	17-20	4494	JR	9468	9468-94	8339	6300
F-450 Super Duty	Except Cab & Chassis	08-16	4449	JR	9460	9460-49	8339	6300
F-450 Super Duty	Except Cab & Chassis	17-20	4494	JR	9468	9468-94	8339	6300
<b>TOYOTA</b>								
Tundra		07-20	4436	JR, TV	9465	9465-36	-	-

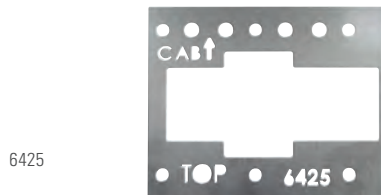
JR = Exhaust must be temporarily lowered for installation

KE = Does not fit 1988-91 4 Dr. Crew Cab models

KH = Minor heat shield modification may be required

TV = May require Offset Extension Ball #19308 on trucks with less than a 6 ft. long bed

TX = This product has a higher load capacity



6425



58381

### GOOSENECK INSTALLATION TOOLS

Part Number	Description	Packaging	Master Carton
6425	Fold-Down Gooseneck Installation Template for #8339, Stainless Steel	Bulk	25
58381	3-1/2 in. Hole Saw	Boxed	25

25K



30845

NOTE: Will not fit trucks with flareside/stepside

**ELITE™ SERIES GOOSENECK HITCH**

- 25,000 lbs. capacity
- 2-5/16 in. high strength zinc plated ball
- Specifically designed for those who employs both fifth wheel and gooseneck trailers
- Mounts to all Elite® Series Rail Kits
- Above-Bed Gooseneck can be easily removed for unobstructed use of the truck bed
- Weather resistant plastic covering provides protection from the elements and aesthetic appeal
- Built-in chain bracket to accommodate safety chain



Part Number	Description	Capacity (lbs.)	Pin Capacity (lbs.)	Packaging	Master Carton
30845	Elite Series Gooseneck	25,000	6,250	Boxed	1
<b>Replacement Parts</b>					
58419	Elite Series Gooseneck Service Kit when used on Elite Rail Kits and Ford OEM Under Bed			Boxed	1
58514	Shim Kit for Elite Series Center Sections			Boxed	1
19310	2-5/16 in. Hitch Ball			Boxed	1

25K



58079

**THE GOOSE® GOOSENECK HITCH**

- In-truck platform rated for 25,000 lbs. gross vehicle towing weight and 6,250 lbs. vertical load
- Easy installation and removal allows for full access to truck bed
- Utilizes same base rails as our fifth wheel hitches
- 2-5/16 in. high strength zinc plated ball
- Rails and installation kit sold separately (30035)



Part Number	Description	Capacity (lbs.)	Pin Capacity (lbs.)	Packaging	Master Carton
58079	The Goose Gooseneck	25,000	6,250	Boxed	1
58208	Chevrolet Composite Bed Kit for Gooseneck			Boxed	1
<b>Replacement Parts</b>					
19310	2-5/16 in. Hitch Ball			Boxed	1

25K



49080

**ABOVE-BED GOOSENECK HITCH**

- In-truck platform rated for 25,000 lbs. gross vehicle towing weight and 6,250 lbs. vertical load
- Easy installation and removal allows for full access to truck bed
- Utilizes same base rails as our fifth wheel hitches
- Ball is offset 2 in. to accommodate 6 ft. and 8 ft. truck beds
- 2-5/16 in. high strength zinc plated ball
- Rails and installation kit sold separately (30035)



Part Number	Description	Capacity (lbs.)	Pin Capacity (lbs.)	Packaging	Master Carton
49080	Above-Bed Gooseneck	25,000	6,250	Boxed	1
49080-024	Above-Bed Gooseneck (24 Pack)	25,000	6,250	Boxed	1
58208	Chevrolet Composite Bed Kit for Gooseneck			Boxed	1
<b>Replacement Parts</b>					
19310	2-5/16 in. Hitch Ball			Boxed	1



## GOOSENECK HITCH SYSTEMS

- Gooseneck Hitch Systems conveniently allow unrestricted use of the pickup bed. In-truck platforms support 2-5/16 in. and 3 in. hitch balls. All framework for Gooseneck Trailer Hitches reside under the bed of the truck with only the ball exposed above the bed of the truck. Stronger, and able to utilize the full suspension of the truck, Gooseneck Hitch Systems are rated up to full towing capacity of the vehicle as determined by the manufacturer. Draw-Tite Gooseneck Hitch Systems utilize a unique set of mounting rails, specific to each vehicle, that will accommodate any of the hitch heads.

## HOW LARGE OF A TRAILER CAN ITOW?

- Each truck has a published Gross Combined Weight Rating GCWR. This is the maximum allowable tow rating in terms of the combined vehicle and trailer weight. When the Gross Vehicle Weight GVW is subtracted, the maximum Gross Trailer Weight is revealed.
- In this example, the maximum allowable trailer towing weight is 12,800 lbs. GTW. The rail kit for this vehicle has been tested to meet maximum vehicle tow capacity.

## COMMON TERMINOLOGY

- **Base Curb Weight** - The nominal weight of a vehicle with standard equipment and a full tank of fuel. It does not include passengers, cargo or optional equipment.
- **Commercial Towing** - Any vehicle/trailer combination exceeding 26,000 lbs. Gross Combined Weight GCW.
- **Commercial Vehicle** - Any vehicle that exceeds 10,000 lbs. GVW.
- **Gross Vehicle Weight (GVW)** - The actual weight of the vehicle when fully loaded. It is the base curb weight plus the cargo weight.
- **Gross Vehicle Weight Rating (GVWR)** - The maximum allowable weight of the fully loaded vehicle.
- **Gross Combined Weight (GCW)** - The actual weight of the vehicle and trailer combined. This weight should always be obtained by weighing the vehicle and trailer together on a scale.
- **Gross Combined Weight Rating (GCWR)** - The maximum weight of the towing vehicle and the loaded trailer - including cargo and passengers.
- **Gross Axle Weight (GAW)** - The total weight supported by each axle (front or rear). To compute this weight for your vehicle and trailer combined, take the loaded vehicle and trailer to a scale. With the trailer attached, place the front wheels of the vehicle on the scale to obtain the front GAW. To obtain the rear GAW, weigh the towing vehicle with the trailer attached, but with just the four wheels of the vehicle on the scale. The rear GAW is determined by subtracting the front GAW from that amount.
- **Gross Axle Weight Rating (GAWR)** - The total weight each axle is capable of carrying. The total load on each axle must not exceed its GAWR.
- **Gross Trailer Weight (GTW)** - The weight of a trailer fully loaded.
- **Maximum Loaded Trailer Weight** - The maximum allowable fully loaded weight of the trailer. This weight is obtained by subtracting the towing vehicle's GVW from its GCWR.
- **Payload** - The combined maximum allowable weight of cargo, occupants and optional equipment that the vehicle is designed to carry. (Gross Vehicle Weight Rating minus the base curb weight.)
- **Rail Kit** - The components and hardware that mount the gooseneck hitch to the vehicle frame.

### GCWR - GVW = MAX. GTW

2001 GMC Heavy Duty 2500, 4 Wheel Drive Extended Cab

**Engine:** Duramax 6600

**Horsepower:** 300 hp @ 3100 rpm

**Torque:** 520 ft. lbs. @ 1800 rpm

**Transmission:** Allison 5-speed Automatic

**Axle Ratio:** 3.73 to 1

**GVW:** 9,200 lbs. **GCWR:** 22,000 lbs.

**22,000 lbs. GCWR - 9,200 lbs. GVW = 12,800 lbs. GTW**



Competitor's 25K gooseneck fails longitudinal test at 11,500 lbs.

## THE SAE INTERNATIONAL J2638 STANDARD FOR GOOSENECK & FIFTH WHEEL TRAILERS UNDER 30,000 LBS.

The Society of Automotive Engineers (SAE) is a non-profit educational and scientific organization dedicated to advancing mobility technology to better serve humanity. SAE has developed many standards, testing methods and procedures to measure the performance of vehicles and vehicle related products, including trailers. SAE J2638 addresses both gooseneck and 5th wheel trailers under 30,000 lbs. The testing methods for gooseneck are as follows:

- Static Testing is a one time maximum load requirement for the three test conditions. The test is to be maintained for 5 Seconds.
- **Vertical** - tests the goosenecks ability with upward & downward pressure
    - 85% of GVW Pull Out (25K lbs. Gooseneck = 21,250 lbs.)
    - 50% of GVW Down (25K lbs. Gooseneck = 12,500 lbs.)
  - **Longitudinal** - tests the goosenecks ability with front and back pressure
    - 75% of GVW Front and Back (25K lbs. Gooseneck = 18,750 lbs.)
  - **Transverse** - tests the goosenecks ability with side to side pressure
    - 30% of GVW Each Side (25K lbs. Gooseneck = 7,500 lbs)
- Dynamic Testing defines requirements for repetitive testing in the three test conditions.
- 300,000 Cycles in each test condition.
    - (Vertical, Longitudinal and Transverse)
  - The same unit is used for all three tests.
    - (900,000 Cycles all together)
  - The range of load requirements are based on GVW & Rated Coupler Load.

In order to assure safety and accountability for the products produced, SAE J2638 also requires:

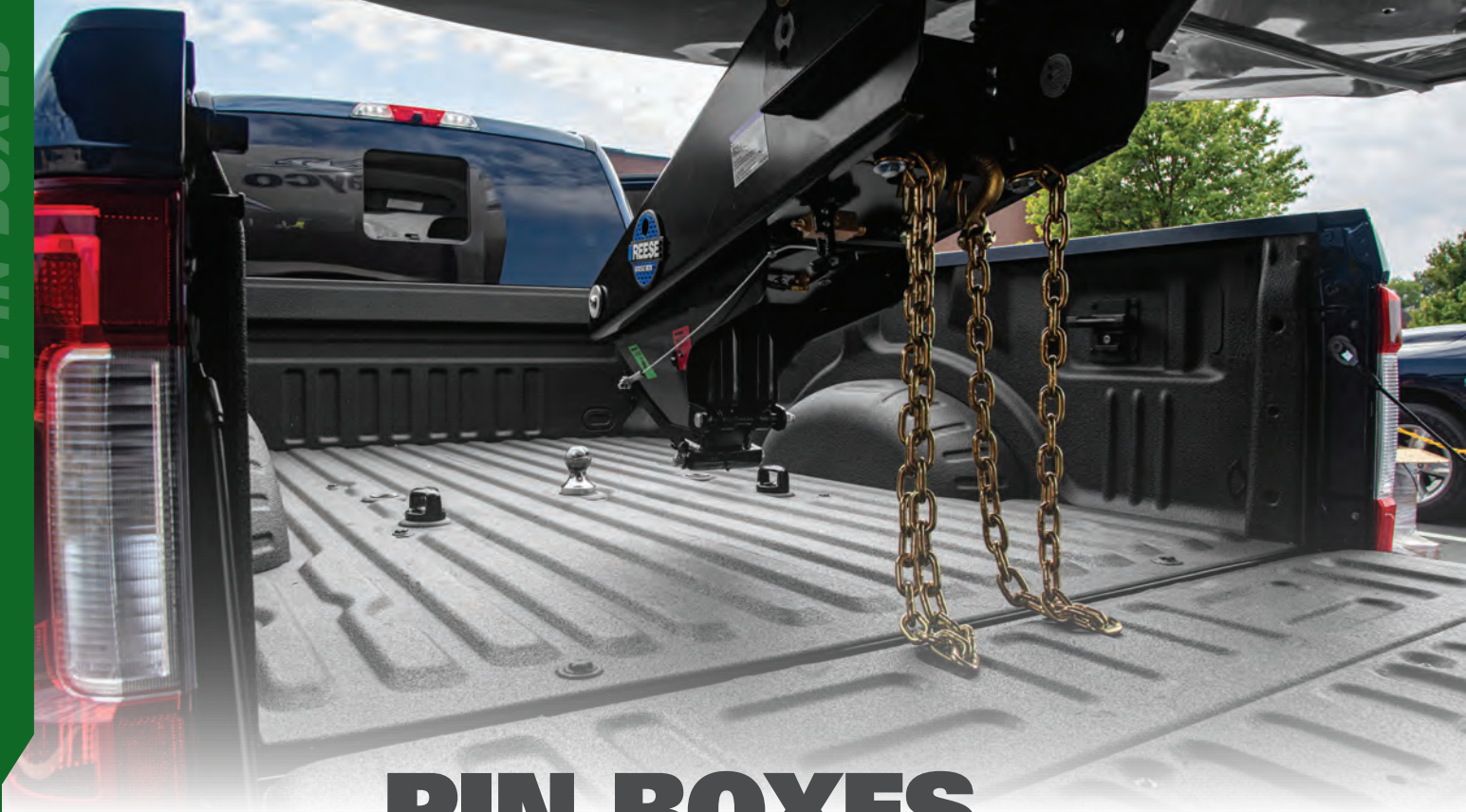
- **Product Identification**
  - Manufacturer's Name
  - Maximum Trailer GVW
  - Rated Vertical Coupler Load
  - Ball Size
- **Testing**
  - Products are to be fixtured at the maximum stress conditions
  - There should be no loss of attachment during testing
  - When testing is completed, the coupler will be capable of being uncoupled and coupled

## HORIZON GLOBAL COMMITMENT

Horizon Global understands the importance of the new SAE standard for Goosenecks and 5th Wheels. We are committed to providing products that meet or exceed these recommendations and our commitment is evident by our investment in people and facilities dedicated to testing our products.

In addition to being one of the only manufacturers with dedicated testing facilities, Horizon Global also has over 90 years of manufacturing experience to ensure our products are of the highest quality and reliability.

Because of the size of our organization we can provide the added benefits of high quality, unmatched reliability and proven strength, at a competitive price.



# PIN BOXES

Founded in 1952, REESE® has become a household name in the heavy-duty towing industry. With proven designs that exceed the industry standards, REESE® has become the brand of choice when performance is the expectation.

REESE® provides the smoothest air-ride pin boxes on the market. Products engineered and designed by the long-time leader in the towing industry that automatically eliminates turning and clearance headaches.

## **PIN BOXES**

20K Fifth Airborne™ .....	H-2
20K Sidewinder™ .....	H-3
Sidewinder™ Accessories.....	H-3
16K Fifth Airborne™/Sidewinder™ Combo .....	H-3

## **PIN BOX ACCESSORIES**

Custom Wedges .....	H-6
---------------------	-----

## **DISCONTINUED PRODUCTS .....**

## **GOOSENECK COUPLER FOR RVs**

16K Goose Box™.....	H-4
20K Goose Box™.....	H-4
Goose Box™ Accessories.....	H-4

NEW



94420



20K

#### Fits wing set make and model #'s:

- Lippert #1621
- Lippert #1621 HD
- Lippert #0719
- Fabex PB 600 Series
- Rhino Series
- Turning Point Series

## 5TH AIRBORNE™ EXTENDED AIR RIDE

Make your next getaway a breeze with the REESE® 5th Airborne™ pin box. With its air-ride technology, this pin box works to reduce chucking and dampen road shock to provide the smoothest towing experience possible. Enjoy the journey as much as the destination.

- 20,000 lbs. capacity
- Premium fifth wheel air-ride pin box delivering the smoothest possible ride
- Includes adjustable air bag (air spring) to optimize performance
- Protects your investments by relieving stress on your coach's frame, cabinets, mechanical, and supprt mechanisms
- 5th Airborne™ significantly reduces the negative impact of vertical shock and longitudinal chucking
- Acts as a buffer between the tow vehicle and the trailer, minimizing the challenges in the road
- 1-Piece design
- Air-ride technology - Air bag is located on the top of the pin box instead of the bottom, making it easier for the end user to make adjustments
- Significantly reduces chucking and vertical shock
- Innovative forward pivot design
- Airline comes standard for easy air fill and pressure relief valve prevents overfilling
- Passes SAE/CSA testing standards
- Backed by REESE's, limited lifetime warranty



Part Number	Description	Capacity (lbs.)	Packaging	Master Carton
94420	5th Airborne Extended Air Ride	20,000	Boxed	1

*NOTE: Do not exceed the lowest rating in your towing system. Maximum capacity is the lower of the towing vehicle manufacturer's rating, the trailer manufacturer's rating or the Pin Box rating.*



Innovation forward pivot



Sleek 1-piece design



Fits multiple wing sets

# 20K

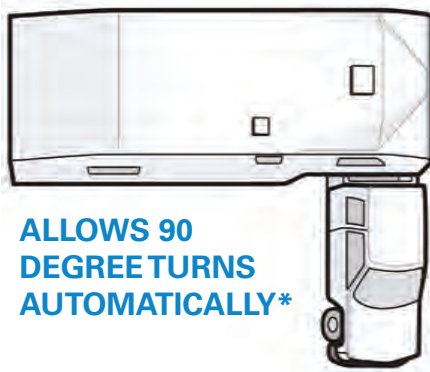
## SIDEWINDER™

*Automatic, worry-free turning.*

The "ultimate short bed towing solution!" REESE® Sidewinder is the premium pin box designed specifically for today's short bed pickups. With it's patent pending design, it automatically eliminates turning and clearance headaches. Now you can make 90 degree turns\* without ever exiting the truck.



68220



**ALLOWS 90 DEGREE TURNS AUTOMATICALLY\***

- Replaces existing RV pin box to allow for tighter turns and truck cab clearance
- Patent pending King pin locking system moves trailer pivot point 22 in. rearward, keeping trailer load centered over the axles
- Allows trailer to automatically track more closely with truck
- Pivoting pin box allows for trailer hook up at even extreme angles
- With towing position locked, you can make full use of the truck bed providing extra space for fuel tanks, toolbox systems and extra cargo
- Unique design allows for more strength than standard pin boxes. Allows for heavier loads with best in class, 20K capacity
- Adjustable wedge allows for secure, complete attachment between trailer and your fifth wheel hitch (additional wedge kits sold separately)
- Includes king pin wedge - Fits all REESE® fifth wheels
- Comes pre-assembled – Ready to attach
- Tested to exceed SAE/CSA industry standards for RVs
- Patent pending design
- Backed by REESE's, limited lifetime warranty



Part Number	Description	Capacity (lbs.)	Packaging	Master Carton
68220	Sidewinder Pin Box	20,000	Boxed	1
<b>Accessory Kits</b>				
68203	Custom Wedge Kit (for use with Curt E-Series, A-Series and Q-Series Fifth Wheel Systems)		Boxed	1
68204	Custom Wedge Kit (for use with Husky, Demco, B&W Patriot and B&W Companion Fifth Wheel Systems)		Boxed	1
68205	Custom Wedge Kit (for use with Pullrite and Camco Fifth Wheel Systems)		Boxed	1
68202	Replacement Wedge Kit for REESE Fifth Wheels		Boxed	1
68200	Spacer Kit (for Wide Wing Sets)		Boxed	1

**Fits wing set make and model #'s:**

- Lippert #1621
- Lippert #1621 HD
- Lippert #0719
- Fabex PB 600 Series

**Spacer kit required for installation on:**

- Lippert #1716
- Lippert #1116
- Lippert #0115

*NOTE: Do not exceed the lowest rating in your towing system. Maximum capacity is the lower of the towing vehicle manufacturer's rating, the trailer manufacturer's rating or the Pin Box rating.*

*\*Not all tow vehicle and trailer combinations will allow 90-degree turn*



Adjustable wedge



Sleek design

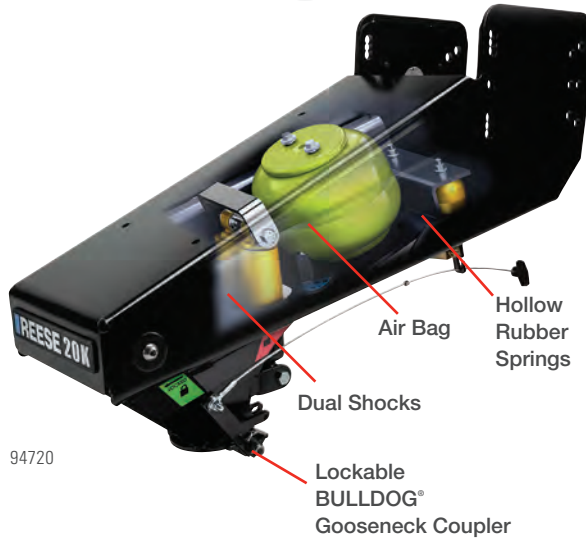


Fits multiple wing sets

# 20K

## GOOSE BOX™ GOOSENECK COUPLER FOR RVs

Take the heavy equipment out of the truck bed!  
The Goose Box™ gooseneck coupler is specifically designed for RV trailer owners who wish to tow with their gooseneck hitch.



94720

- Replaces a traditional pin box so the RV works with a gooseneck hitch
- Step up to RV comfort and keep your gooseneck hitch
- Endorsed by Lippert Components, Inc. for their frame systems
- 5th Airborne™ technology for superior ride performance
- Lockable BULLDOG® gooseneck coupler
- Improved air bag, dual shocks and hollow rubber springs provide multi-directional shock absorption
- Increased height adjustment capability for today's taller truck beds
- Easy reach lanyard
- Onboard safety chain storage
- Air pressure relief valve prevents overfilling
- Rated for 16K and 20K lbs. capacity utilizing both CSA and SAE J2638 test standards
- Patented and patents pending
- Fits wing set make and model #'s:
  - Lippert #1621 - Lippert #1621 HD - Lippert #0719
  - Fabex PB 600 Series
- Spacer kit required for installation on:
  - Lippert #1716 - Lippert #1116 - Lippert #0115



# 16K



94716

Part Number	Description	Capacity (lbs.)	Packaging	Master Carton
94716	Goose Box For Lippert #1621 and #1716 Wing Sets	16,000	Boxed	1
94720	Goose Box For Lippert #1621 and #1716 Wing Sets	20,000	Boxed	1
<b>Accessory Parts</b>				
49150	Safety Chain Kit, Contains: (2) Grade 70, 5/16 in. x 44 in. with 5/16 in. Clevis Hook and Mounting Hardware	16,000	Plastic Shroud	1
49151	Safety Chain Kit, Contains: (2) Grade 70, 5/16 in. x 44 in. with 5/16 in. Clevis Hook and Mounting Hardware	20,000	Plastic Shroud	1
61301	Spacer Kit		Boxed	1
<b>Replacement Part</b>				
86007	Air System Service Kit		Boxed	1



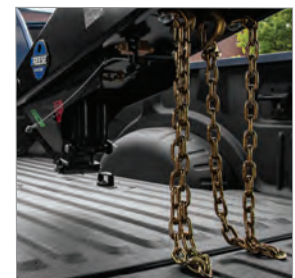
Automatically locks when coupling



Lockable BULLDOG® coupler for added security



Increased height adjustment for taller truck beds



Safety chains with clevis hook and storage on unit

# 16K

## AIRBORNE™ /SIDEWINDER™ COMBO

The best of both worlds. The REESE® Elite™ Airborne™ combined with the Sidewinder™ is the ultimate pin box. It provides the smoothest ride on the market and automatically eliminates turning and clearance headaches.

- Provides all the benefits of the REESE® 5th Airborne™ air-ride technology and the REESE® Sidewinder™ pin box
- Enhances maneuverability and comfort
- Takes the worry out of traveling with a fifth wheel trailer
- Durable, lasting design for years of trouble free use
- 90-plus degree\* turning with a short bed truck
- SAE/CSA rated 16K
- Backed by REESE's, limited lifetime warranty



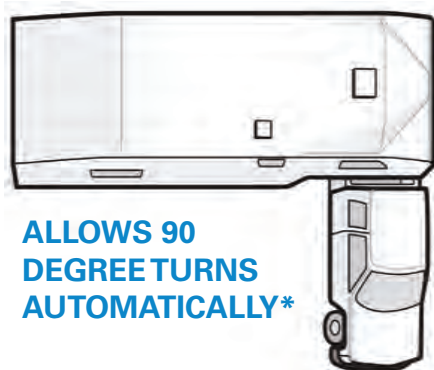
61412



61422



61452



**ALLOWS 90 DEGREE TURNS AUTOMATICALLY\***

NOTE: Do not exceed the lowest rating in your towing system. Maximum capacity is the lower of the towing vehicle manufacturer's rating, the trailer manufacturer's rating or the Pin Box rating.

Part Number	Description	Capacity (lbs.)	Packaging	Master Carton
<b>Complete Kit</b>				
61412	- Fabex 500 and 700 Series - Lippert 1116, 0115 and 1716 - RBW 7019 and 7028	16,000	Litho Box	1
61422	- Fabex 600 Series - Lippert 0719, 1621 and 1621 HD* - M&M 663 and 665	16,000	Litho Box	1
61452	- Venture CJ13515 and CJ13517 - Dexter 221-0033-00 and 221-0031-00	16,000	Litho Box	1
ST400-5AS16K	- Leland 7910, 7920 and 7921	16,000	Litho Box	1
<b>Turret</b>				
61300	- Fabex 500, 600 and 700 Series - Lippert 0719, 1116, 0115, 1716, 1621 and 1621 HD* - RBW 7019 and 7028 - M&M 663 and 665	16,000	Litho Box	1
61302	- Venture CJ13515 and CJ13517 - Dexter 221-0033-00 and 221-0031-00	16,000	Litho Box	1
ST400	- Leland 7910, 7920 and 7921	16,000	Boxed	1
<b>Spacer Kit</b>				
61301	- Fabex 500 and 700 Series - Lippert 1116, 0115 and 1716 - RBW 7019 and 7028	16,000	Litho Box	1
<b>Arm with King Pin</b>				
5AS16K	- Fabex 500, 600 and 700 Series - Lippert 0719, 1116, 0115, 1716, 1621 and 1621 HD* - RBW 7019 and 7028 - M&M 663 and 665 - Venture CJ13515 and CJ13517 - Dexter 221-0033-00 and 221-0031-00 - Leland 7910, 7920 and 7921	16,000	Litho Box	1
<b>Rebuild Kit</b>				
94316	- Fabex 500, 600 and 700 Series - Lippert 0719, 1116, 0115, 1716, 1621 and 1621 HD* - RBW 7019 and 7028 - M&M 663 and 665 - Venture CJ13515 and CJ13517 - Dexter 221-0033-00 and 221-0031-00 - Leland 7910, 7920 and 7921	16,000	Boxed	1

\*Not all tow vehicle and trailer combinations will allow 90-degree turn

## CUSTOM WEDGES

- Designed to work with the Elite™ Airborne™ / Sidewinder™ Combo, (not compatible with Sidewinder #68220)
- Replacement wedge that is designed for specific fifth wheel hitches

Part Number	Description	Packaging	Master Carton
SWW-01	Custom Wedge for REESE Elite Series and REESE 20K Fifth Wheel Hitches	Boxed	4
30850	Custom Wedge for Slide-Bar Style Fifth Wheel Hitches	Boxed	1
SWW-03	Custom Wedge for REESE 16K Fifth Wheel Hitches (Dual Jaw, Except Titan)	Boxed	1
30865	Custom Wedge for REESE Titan Fifth Wheel Hitches	Boxed	1
SWW-04	Custom Wedge for Original Husky Fifth Wheel Hitches	Boxed	1
SWW-05	Custom Wedge for Hi-Jacker Fifth Wheel Hitches	Boxed	1
SWW-06	Custom Wedge for B&W Fifth Wheel Hitches	Boxed	11
SWW-07	Custom Wedge for RBW and Newer Husky Fifth Wheel Hitches	Boxed	2
SWW-08	Custom Wedge for Colibert Fifth Wheel Hitches	Boxed	1
SWW-09	Custom Wedge for PullRite Fifth Wheel Hitches	Boxed	1
31016	Custom Wedge for Curt A16 Fifth Wheel Hitches	Boxed	1
30861	Custom Wedge for Curt E16 Fifth Wheel Hitches	Boxed	1





61410†



61420†



61411†



5AB-E1621-16K†

**LAST CHANCE**

**SIDEWINDER™**

Part Number	Description	Substitute Part Number	Packaging	Master Carton
<b>16K Complete Kit</b>				
61410†	Fabex 500/700 Series, Lippert 1116/0115/1716, and RBW 7019/7028	61412	Boxed	1
61420†	Fabex 600 Series, Lippert 0719/1621/1621 HD and M&M 663/665	61422	Boxed	1
61450†	Venture CJ13515/CJ13517, Dexter 221-0033-00 and 221-0031-00	61450	Boxed	1
ST400-SW16K†	Leland 7910/7920/7921	-	Boxed	1
<b>19K Complete Kit</b>				
61411†	Fabex 500/700 Series, Lippert 1116/0115/1716, and RBW 7019/7028	61412	Boxed	1
61421†	Fabex 600 Series, Lippert 0719/1621/1621 HD and M&M 663/665	61422	Boxed	1
ST400-SW19K†	Leland 7910/7920/7921	-	Boxed	1
<b>Spacer Kit for 16K and 19K</b>				
61301†	Fabex 500/700 Series, Lippert 1116/0115/1716, and RBW 7019/7028		Litho Box	1
<b>Arm with King Pin</b>				
SW16K†	Fabex 500/600/700 Series, Lippert 0719/1116/0115/1716/1621/1621 HD, RBW 7019/ 7028, M&M 663/665, Venture CJ13515/CJ13517, Dexter 221-0033-00 and 221-0031-00, and Leland 7910/7920/7921		Boxed	1
SW19K†	Fabex 500/600/700 Series, Lippert 0719/1116/0115/1716/1621/1621 HD, RBW 7019/7028, M&M 663/665, and Leland 7910/ 7920/7921		Boxed	1
<b>Rebuild Kit for SW16K and SW19K</b>				
86005†	Fabex 500/600/700 Series, Lippert 0719/1116/0115/1716/1621/1621 HD, RBW 7019/7028, M&M 663/665, and Leland 7910/ 7920/7921		Boxed	1

**LAST CHANCE**

**5TH AIRBORNE™**

Part Number	Description	Substitute Part Number	Packaging	Master Carton
<b>16K Capacity</b>				
5AB-E1621-16K†	Lippert 1621	94220	Litho Box	1
<b>21K Capacity</b>				
5AB-S500-700†	Fabex 500 Series STD, Lippert 1116/0115, and RBW 7019	94220	Litho Box	1
5AB-E510-710†	Fabex 500 Series EXT and 765, Lippert 1716 and RBW 7028	94220	Litho Box	1
5AB-E1621-610†	Fabex 665, M&M 665 and Lippert 1621/1621 HD	94220	Litho Box	1

† = Available while supplies last





# CARGO MANAGEMENT

Whether you're heading out on a road trip or visiting a neighborhood park, REESE® offers durable cargo management solutions to get you where you're going. As a leader in the industry we offer a range of products that help transport and organize your gear. Our goal is to increase your vehicles storage capacity by allowing you to carry cargo outside your vehicle, on the roof, using the hitch or mounted to a trunk.

Don't limit taking what you need, solely because there isn't enough room – consider a REESE® cargo product to safely get you and your gear to where you want to go.

## CARGO CARRIERS

Rambler™ Cargo Carriers .....	I-2
Cargo Trays .....	I-2
Rooftop Cargo Baskets .....	I-2

## CARGO CARRIER BAGS

Cargo Tray Bags .....	I-3
Rooftop Cargo Bags .....	I-3

## BIKE CARRIERS

Eclipse™ Series .....	I-4
Tilt-Away .....	I-4
TX™ Series .....	I-4
Q-Slot™ Series .....	I-5

## ALUMINUM RAMPS

Straight Ramps .....	I-5
Arched Ramps .....	I-5
Centerfold Ramps .....	I-5

## WATERCRAFT CARRIERS

J-Rac Kayak Carrier .....	I-6
---------------------------	-----

## CARGO SECURING

Truck Nets .....	I-6
Ratcheting Cargo Bar .....	I-6
Retractable Transom Ratchets .....	I-6

## DISCONTINUED PRODUCTS .....

I-7 - I-12
------------

*Photo courtesy of Elijah Aikens, Aaikens.photoart*



63153



### RAMBLER™ CARGO CARRIERS

- Great for carrying sports gear, lawn and garden supplies, and camping equipment
- Mounts to vehicle's receiver hitch
- 5-1/2 in. side rails
- Easy to access, load and unload
- Heavy-duty construction
- Black powder coat finish resists rust
- All hardware included

Part Number	Description	Receiver (in.)	Dimensions (in.)	Capacity (lbs.)	Packaging	Master Carton
63155	Rambler Cargo Carrier, Bolt-Together	1-1/4	48 x 20	300	Litho Box	1
63153	Rambler Cargo Carrier, Bolt-Together	2	60 x 24	500	Litho Box	1

### CARGO TRAYS

- Provides extra cargo capacity, using vehicle hitch
- Heavy-duty construction
- Rust resistant finish
- Tilts up for compact storage and easier installation
- Leave on the vehicle without worry of parking
- All hardware included



6502



Part Number	Description	Receiver (in.)	Dimensions (in.)	Capacity (lbs.)	Packaging	Master Carton
6502	Steel Cargo Tray	2	48 x 20	500	Litho Box	1
1041500	Steel Cargo Tray	1-1/4 and 2	60 x 20	500	Litho Box	1
1394500	Steel Cargo Tray	2	60 x 20	500	Litho Box	1
1395800	Aluminum Cargo Tray	2	60 x 20	500	Litho Box	1

### ROOFTOP CARGO BASKETS

- Provide extra cargo space
- Adjustable brackets fit most crossbar styles
- Rust-resistant finish
- Sleek, sporty styling
- Easy to assemble
- All hardware included



1391300

Part Number	Description	Dimensions (in.)	Capacity (lbs)	Packaging	Master Carton
1394400	Rooftop Cargo Basket, Low Profile	37.25 x 26.5	100	Litho Box	1
1391300	Rooftop Cargo Basket, 3-Piece with Custom Air Deflector	44 x 35	125	Litho Box	1
1040900	Rooftop Cargo Basket	44 x 33	125	Litho Box	1

CARGO BAGS



63604

CARGO TRAY BAG

- Perfect for hauling camping gear, sports equipment and tailgating supplies
- Extra storage for cargo trays
- Includes straps for secure attachment to most cargo trays
- Made with premium, quality materials
- Sonically welded construction
- Folds flat for easy storage

Part Number	Description	Dimensions (in.)	Capacity (cu ft.)	Packaging	Master Carton
63604	Cargo Tray Bag	59 x 18.5 x 24	15	Litho Box	2



1043000

CARGO TRAY BAG

- Perfect for hauling camping gear, sports equipment and tailgating supplies
- Made with premium, quality materials
- Sonically welded construction
- Folds flat for easy storage
- All installation straps included

Part Number	Description	Dimensions (in.)	Capacity (cu ft.)	Packaging	Master Carton
1043000	Cargo Tray Bag	54 x 20 x 21	13	Litho Box	2



1390100

ROOFTOP CARGO BAG

- Easily attaches to permanent roof racks
- Made of premium quality material with sonically welded seams
- All installation straps included
- Padded structure helps maintain shape
- Storm flap protects zippers

Part Number	Description	Dimensions (in.)	Capacity (cu ft.)	Packaging	Master Carton
1390100	Rooftop Cargo Bag	40 x 38 x 23	15	Litho Box	2



1041100

ROOFTOP CARGO BAGS

- Increase your storage area and free up space in your vehicle
- Easily attach to raised side rails, crossbars and/or rooftop baskets
- Easy to store when not in use
- Available in a variety of sizes and styles

Part Number	Description	Dimensions (in.)	Capacity (cu ft.)	Packaging	Master Carton
1041000	Rooftop Cargo Bag	37 x 30 x 15.5	10	Litho Box	2
1041100	Rooftop Cargo Bag	38 x 38 x 18	15	Litho Box	2



59401

### TX™ BIKE CARRIER

The ROLA® TX™ hitch mount bike carrier provides secure transportation of your bikes with the convenience of easy access to rear cargo space of your vehicle. When space is a concern, TX features foldable arms for compact storage. Securely holds up to 4 bikes.

- Versatile cradles fit most bike frames, styles and sizes
- Anti-sway rollers reduce bike movement
- Rack tilts providing access to rear of vehicle
- Integrated cable lock secures bikes
- Arms fold down when not in use
- Heavy-duty steel construction

Part Number	Description	Receiver (in.)	Capacity (lbs.)	Packaging	Master Carton
59401	TX 4 Bike Carrier	2	100	Litho Box	1



63120

63124

### ECLIPSE™ BIKE CARRIERS

Traditional, sport, mountain, racing, men’s and women’s; no matter the type of bike being transported, The Eclipse has everything you would expect from an industry leader.

- Carries up to 4 bikes with a max capacity of 120 lbs.
- Accommodates most bike styles and sizes
- Smart swing-arm design tilts forward allowing rear vehicle access without unloading bikes
- Padded cradles secure bikes without damage to the frame
- Hook and loop straps offer superior support and promote quick and easy loading and unloading
- Integrated rear reflector for nighttime visibility

Part Number	Description	Receiver (in.)	Capacity (lbs.)	Packaging	Master Carton
63120	Eclipse 2 Bike Carrier	1-1/4	66	Litho Box	1
63124	Eclipse 4 Bike Carrier	2	120	Litho Box	1
Replacement Parts					
63148	Eclipse Bike Carrier Cradle			Litho Box	1



1393100G

Arm and carrier fold down when not in use

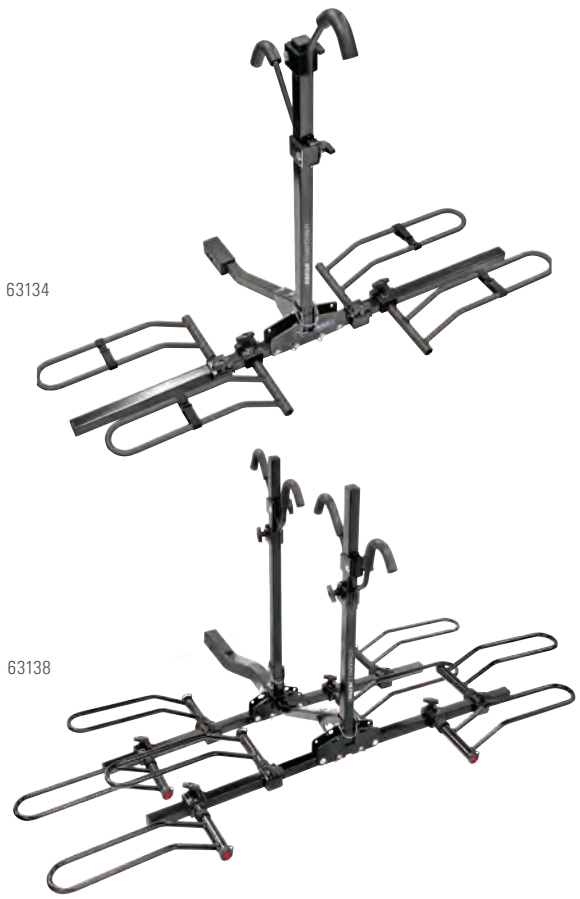
### TILT-AWAY BIKE CARRIER

The Tilt-Away steel hitch mount bike rack holds up to four bicycles. The tilt-away design allows for easy access to the rear of the vehicle. Bikes are held securely by the molded cradles with hook and loop straps.

- Steel frame has black powder coated, rust resistant finish
- Tilts away for easy trunk access
- Narrow arm design fits a variety of bike styles
- Supports bikes by the frame
- Arms fold down when not in use
- Injection molded cradles protect bike frames
- Anti-rattle hitch pin included
- Arms remove with quick release pin

Part Number	Description	Receiver (in.)	Capacity (lbs.)	Packaging	Master Carton
1393100G	Tilt-Away 4 Bike Carrier	1-1/4 and 2	120	Litho Box	1

BIKE CARRIERS

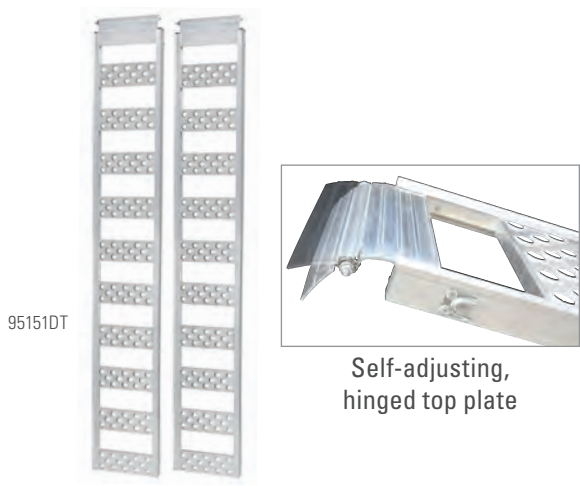


**Q-SLOT™ BIKE CARRIERS**

The Q-Slot™ steel hitch mount bike rack holds up to four bicycles. The platform design holds bikes in the upright position. The support tube with adjustable padded hooks support bikes by the frame. Rear wheels are secured with hook and loop straps. The rise shank provides greater ground clearance. The support tube folds down when not in use.

- Fully adjustable wheel slots
- Carries most bikes regardless of the frame style
- Padded contact points
- Bolt-on 2 in. shank adapter (2 bike carrier only)
- Folds for compact storage
- Center post tilt for easy bike loading and unloading
- Rear reflectors for nighttime visibility

Part Number	Description	Receiver (in.)	Capacity (lbs.)	Packaging	Master Carton
63134	Q-Slot 2 Bike Carrier	1-1/4 and 2	90	Litho Box	1
63138	Q-Slot 4 Bike Carrier	2	140	Litho Box	1
Replacement Parts					
63135	Q-Slot Bike Carrier Hook and Loop Strap, (4 Pack)			Litho Box	25



**ALUMINUM RAMPS**

- Patented self-adjusting top plate, hinged top plate creates smooth transitions on and off ramp
- Molded top caps protect tailgate and loading surfaces
- Adjustable attachment straps
- Welded aluminum construction
- Rust-resistant and corrosion resistant

Part Number	Description	Dimensions (in. x ft.)	Capacity Per Pair (lbs.)	Packaging	Master Carton
95151DT	Straight Aluminum Ramp Pair	13 x 84	1,250	Sleeved	1
74527DT	Arched Aluminum Ramp Pair	12 x 90	1,500	Sleeved	1
95150DT	Arched Centerfold Aluminum Ramp Pair	12 x 90	1,500	Sleeved	1



Straight



Arched



Arched Centerfold



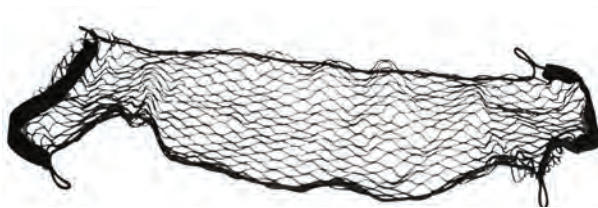
1394900

### J-RAC KAYAK CARRIER

The J-Rac kayak carrier attaches to most crossbars and secures the kayak in an upright position. Includes two J-Rac holders, securing straps and mounting hardware.

- Heavy-duty powder coated steel construction
- Foam pads cradle and protect kayak during transport
- Universal hardware fits most crossbars
- Premium straps and bow/stern tie-downs included

Part Number	Description	Capacity (lbs.)	Packaging	Master Carton
1394900	J-Rac Kayak Carrier	165	Litho Box	1



9424200

### HEAVY DUTY TRUCK NET

- Quick and easy to install with included hooks
- Holds up under extreme weather conditions
- End sections fold to fit shorter beds
- Only use for light loads

Part Number	Description	Dimensions (in.)	Packaging	Master Carton
9424200	Universal Heavy Duty Truck Bed Cargo Net	55 x 78	Litho Box	2



1390600

### RATCHETING CARGO BAR

- Easy to use ratchet bar provides maximum hold; stops cargo from shifting
- Adjustable design ratchets from 40 in. to 70 in.
- Cushioned pads for extra secure grip
- No tools required

Part Number	Description	Dimensions (in.)	Packaging	Master Carton
1390600	Ratcheting Cargo Bar	40 to 70	Litho Box	2



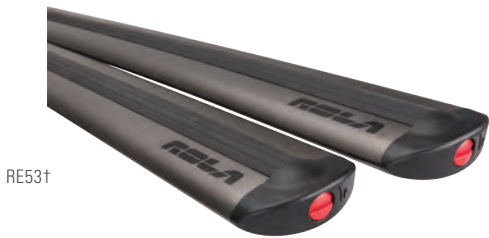
2060266

### RETRACTABLE TRANSOM RATCHETS

- Strap retracts for easy storage and no tangling
- Easy bolt on function (hardware included)
- Some models available with stainless steel housing
- Vinyl coated J-hooks protect boats finish
- Provides super strong holding power

Part Number	Description	Dimensions (in.)	Capacity (lbs.)	Packaging	Master Carton
2060266	Transom Retractable Tie Down, Stainless Steel, (2 Pack)	2 x 43	600	Plastic Shroud	3
2060366	Transom Retractable Tie Down, Zinc, (2 Pack)	2 x 43	833	Plastic Shroud	3
2061766	Transom Retractable Tie Down, Zinc	2 x 43	833	Display Bag	12

DISCONTINUED PRODUCTS



RE53t



59976t



59315t



R7001t



RBU43t



59799t

t = Available while supplies last

**LAST CHANCE**

**MODULAR ROOF RACKS**

Part Number	Description	Substitute Part Number	Packaging	Master Carton
<b>Crossbars</b>				
RE43t	Extreme Crossbar Kit, 43 in.	-	Litho Box	-
RE47t	Extreme Crossbar Kit, 47 in.	-	Litho Box	-
RE53t	Extreme Crossbar Kit, 53 in.	-	Litho Box	-
RE60t	Extreme Crossbar Kit, 60 in.	-	Litho Box	-
<b>End Supports</b>				
59970t	DFE End Support Kit, Door Frame Attachment	-	Litho Box	-
59972t	FPE End Support Kit, Fixed Point Attachment	-	Litho Box	-
59976t	RBU End Support Kit, Raised Side Rail Attachment (Universal)	-	Boxed	2
R4000-1t	RBE End Support Kit, Flush Side Rail Attachment	-	Litho Box	-
<b>Lock Kits</b>				
59315t	Lock Kit, (4 Pack)	-	Litho Box	4
59316t	Lock Kit, (8 Pack)	-	Litho Box	4

**LAST CHANCE**

**ROOF RACK FIT KITS**

Part Number	Description	Substitute Part Number	Packaging	Master Carton
<b>Direct Mount</b>				
R7001t	Direct Mount Kit for Sheet Metal	-	Litho Box	-
R7002t	Direct Mount Kit for Fiberglass	-	Litho Box	-
<b>Track Mount</b>				
R7003t	Mount Adapter	-	Litho Box	-
R7010t	Mount Kit for Sheet Metal 42 in.	-	Litho Box	-
R7011t	Mount Kit for Sheet Metal, 54 in.	-	Litho Box	-
R7012t	Mount Kit for Fiberglass, 60 in.	-	Litho Box	-

**LAST CHANCE**

**UNIVERSAL ROOF RACKS**

Part Number	Description	Substitute Part Number	Packaging	Master Carton
RBU43t	RBU Series Roof Rack, 43-3/8 in.	-	Litho Box	-
RBU47t	RBU Series Roof Rack, 47-1/4 in.	-	Litho Box	-
RBU53t	RBU Series Roof Rack, 53-1/8 in.	-	Litho Box	-
RBU60t	RBU Series Roof Rack, 61-5/8 in.	-	Litho Box	-

**LAST CHANCE**

**TRUCK BED RACKS**

Part Number	Description	Substitute Part Number	Packaging	Master Carton
59742t	Truck Bed Rack, 400 lbs. Capacity	-	Litho Box	1
59799t	T3 Truck Bed Rack, 800 lbs. Capacity	-	Litho Box	1
59794t	Truck Bed Rack Load Stop Kit, (4 Pack)	-	Boxed	1
59796t	Truck Bed Rack Eye Bolt Kit, (4 Pack)	-	Boxed	1

59623†

**LAST CHANCE****UNIVERSAL VAN RACKS**

Part Number	Description	Substitute Part Number	Packaging	Master Carton
59622†	V2 Universal Van Rack, Includes (2) Crossbars, 300 lbs. Capacity	-	Litho Box	-
59623†	V3 Universal Van Rack, Includes (3) Crossbars, 450 lbs. Capacity	-	Litho Box	-

59502†

**LAST CHANCE****VORTEX™ CARGO TRAYS**

Part Number	Description	Substitute Part Number	Packaging	Master Carton
59507†	Vortex Cargo Tray, Fits 1-1/4 in. Receivers, 300 lbs. Capacity	63155	Litho Box	1
59502†	Vortex Cargo Tray, Fits 2 in. Receivers, 600 lbs. Capacity	63153	Litho Box	1

59504†

**LAST CHANCE****V-TEX™ CARGO BASKETS**

Part Number	Description	Substitute Part Number	Packaging	Master Carton
59504†	V-Tex Rooftop Cargo Basket, 130 lbs. Capacity	1391300	Litho Box	1
59505†	V-Tex Rooftop Cargo Basket Extender, 130 lbs. Capacity	-	Litho Box	1

59043†

**LAST CHANCE****ATLAS™ CARGO BASKET**

Part Number	Description	Substitute Part Number	Packaging	Master Carton
59043†	Atlas Rooftop Cargo Basket, 160 lbs. Capacity	1391300	Litho Box	1

59550†

**LAST CHANCE****DART™ CARGO TRAY**

Part Number	Description	Substitute Part Number	Packaging	Master Carton
59550†	Dart Cargo Tray, Fits 2 in. Receivers, 450 lbs. Capacity	63153	Litho Box	1

59102†

**LAST CHANCE****WALLAROO™ CARGO BAG**

Part Number	Description	Substitute Part Number	Packaging	Master Carton
59102†	Wallaroo Cargo Bag, Expandable, 9.5-11.5 cu. ft. Capacity	63604	Litho Box	2

59119†

**LAST CHANCE****TUFFBAK™ CARGO BAG**

Part Number	Description	Substitute Part Number	Packaging	Master Carton
59119†	Tuffbak Cargo Bag, 20 cu. ft. Capacity	63604	Litho Box	2

† = Available while supplies last



DISCONTINUED PRODUCTS



1391800†



59110†



63123†



59400†

59308†



59904†



59516†

**LAST CHANCE** ROOFTOP CARGO BAG

Part Number	Description	Substitute Part Number	Packaging	Master Carton
1391800†	Expandable Rooftop Cargo Bag, 12-16 cu. ft. Capacity	1390100	Litho Box	2

**LAST CHANCE** ADVENTURE SYSTEM®

Part Number	Description	Substitute Part Number	Packaging	Master Carton
59108†	Fixed, Fits 1-1/4 in. Receiver	-	Boxed	1
59109†	Swing-Away, Fits 2 in. Receiver	-	Boxed	1
59110†	Fold-Up, Fits 2 in. Receiver	-	Boxed	1
59510†	Latch Kit for Adventure System	-	Display Bag	25

**LAST CHANCE** TX™ BIKE CARRIERS

Part Number	Description	Substitute Part Number	Packaging	Master Carton
59400†	TX 2 Bike Carrier, Fits 1-1/4 in. and 2 in. Receivers, 80 lbs. Capacity	63120	Boxed	-
59405†	TX Bike Carrier Strap, (2 Pack)	-	Display Bag	50
59406†	TX Bike Carrier Cradle	-	Display Bag	25
59407†	TX Bike Carrier Anti-Sway Cradle and Strap	-	Display Bag	25

**LAST CHANCE** ECLIPSE™ BIKE CARRIERS

Part Number	Description	Substitute Part Number	Packaging	Master Carton
63123†	Eclipse 3 Bike Carrier, Fits 1-1/4 in. or 2 in. Receiver, 100 lbs. Capacity	63124	Litho Box	1
63148†	Eclipse Bike Carrier Cradle	-	Litho Box	-

**LAST CHANCE** CONVOY™ BIKE CARRIER

Part Number	Description	Substitute Part Number	Packaging	Master Carton
59308†	Convoy Bike Carrier, Fits 2 in. Receivers, 80 lbs. Capacity	-	Litho Box	1
59307†	Convoy Bike Carrier, Fits 1-1/4 in. Receivers, 50 lbs. Capacity	-	Litho Box	1
59310†	Convoy Bike Carrier Add-On Unit, 75 lbs. Capacity	-	Litho Box	1

**LAST CHANCE** BIKE MOUNT ADAPTER

Part Number	Description	Substitute Part Number	Packaging	Master Carton
59904†	Bike Mount Adapter Kit, 40 lbs. Capacity	-	Litho Box	-

**LAST CHANCE** CARGO LIGHT KITS

Part Number	Description	Substitute Part Number	Packaging	Master Carton
20174†	Incandescent Light Kit	-	Boxed	1
59516†	LED Light Kit	-	Boxed	1

† = Available while supplies last



59000†



94241DT†



94623DT†

95451†



59913†



2060466†



2061366†

† = Available while supplies last

**LAST CHANCE**

**VEHICLE ORGANIZERS**

Part Number	Description	Substitute Part Number	Packaging	Master Carton
59000†	Small Interior Organizer	-	Litho Box	-
59001†	Large Interior Organizer	-	Litho Box	-

**LAST CHANCE**

**CARGO NETS**

Part Number	Description	Substitute Part Number	Packaging	Master Carton
13937DT†	Bungee Cargo Net, 36 in. x 48 in.	9424200	Boxed	3
94241DT†	Bungee Truck Cargo Net, 60 in. x 78 in.	9424200	Boxed	3
59200†	Fat Strap Cargo Net, 36 in. x 48 in.	9424200	Litho Box	1

**LAST CHANCE**

**TOW STRAPS**

Part Number	Description	Substitute Part Number	Packaging	Master Carton
94263DT†	Tow Strap with Hook Ends, 3,300 lbs. Load Capacity	-	Plastic Shroud	3
94264DT†	Tow Strap with Loop Ends, 5,660 lbs. Load Capacity	-	Plastic Shroud	3
95451DT†	Tow Strap with Loop Ends, 10,000 lbs. Load Capacity	-	Plastic Shroud	2
95167DT†	Tree Saver Strap with Loop Ends, 10,000 lbs. Load Capacity	-	Plastic Shroud	3
95235DT†	Anchor Shackle, 7/8 in.	-	Bulk	4
95236DT†	Anchor Shackle, 3/4 in.	-	Bulk	4

**LAST CHANCE**

**WATERCRAFT CARRIER**

Part Number	Description	Substitute Part Number	Packaging	Master Carton
59913†	Hull-Hauler Watercraft carrier	-	Boxed	-
59300†	Hull-Hauler Tie Down Kit	-	Boxed	25
59302†	Hull-Hauler Pivot Knob Assembly	-	Boxed	25
59303†	Hull-Hauler Bottom Mount Bracket	-	Boxed	-

**LAST CHANCE**

**TRANSOM CAMBUCKLES**

Part Number	Description	Substitute Part Number	Packaging	Master Carton
2060466†	Tansom Cambuckle Tie Down, Zinc, 833 lbs. Capacity, (2 Pack)	2060366	Plastic Shroud	4

**LAST CHANCE**

**GUNWALE RATCHETS**

Part Number	Description	Substitute Part Number	Packaging	Master Carton
2060866†	Gunwale Ratchet, Zinc, 10 ft., 333 lbs. Capacity	-	Plastic Shroud	3
2061366†	Gunwale Ratchet, Zinc, 13 ft., 833 lbs. Capacity	-	Plastic Shroud	3
2061566†	Gunwale Ratchet, Zinc, 20 ft., 833 lbs. Capacity	-	Plastic Shroud	3

**LAST CHANCE**

**RATCHET STRAPS**



94815DT†

94247DT†



95111DT†

94828DT†



94260DT†

94252DT†



95466DT†

94824DT†

Part Number	Description	Substitute Part Number	Packaging	Master Carton
94815DT†	Light Duty Ratchet, 10 ft., 300 lbs. Working Load	-	Bulk PDQ	10
95108DT†	Light Duty Ratchet, 10 ft., 300 lbs. Working Load, (4 Pack)	-	Plastic Shroud	3
94816DT†	Light Duty Cambuckle, 10 ft., 300 lbs. Working Load	-	Bulk PDQ	10
94247DT†	Light Duty Cambuckle, 10 ft., 300 lbs. Working Load, (4 Pack)	-	Plastic Shroud	3
95111DT†	Standard Duty Ratchet, 12 ft., 400 lbs. Working Load, (4 Pack)	-	Plastic Shroud	3
94828DT†	Standard Duty Ratchet with Grip Handle, 10 ft., 500 lbs. Working Load, (4 Pack)	-	Plastic Shroud	3
95463DT†	Standard Duty Ratchet, Endless, 12 ft., 500 lbs. Working Load	-	Bulk PDQ	8
94853DT†	Standard Duty Ratchet with Grip Handle, 10 ft., 500 lbs. Working Load	-	Bulk PDQ	4
94255DT†	Standard Duty Ratchet, Retractable, 6 ft., 500 lbs. Working Load, (2 Pack)	-	Plastic Shroud	3
94260DT†	Heavy Duty Ratchet with Comfort Handle, 14 ft., 1,000 lbs. Working Load, (2 Pack)	-	Plastic Shroud	4
94262DT†	Heavy Duty Ratchet with Comfort Handle, 14 ft., 1,000 lbs. Working Load, (4 Pack)	-	Plastic Shroud	3
95142DT†	Heavy Duty Ratchet with Comfort Handle, 14 ft., 1,000 lbs. Working Load	-	Bulk PDQ	4
94252DT†	Heavy Cambuckle, 14 ft., 1,000 lbs. Working Load, (4 Pack)	-	Plastic Shroud	3
94273DT†	Heavy Duty Ratchet with 2 in. Wide Webbing, Retractable, 10 ft., 1,000 lbs. Working Load	-	Bulk PDQ	4
95120DT†	Super Duty Ratchet with 1.5 in. Wide Webbing and Flat Hooks, 30 ft., 1,830 lbs. Working Load	-	Bulk PDQ	4
95466DT†	Super Duty Ratchet with Flat Hooks and Webbing Keeper, 30 ft., 3,300 lbs. Working Load	-	Bulk PDQ	6
94824DT†	Super Duty Ratchet with J-Hooks, 30 ft., 3,300 lbs. Working Load	-	Bulk PDQ	4
95118DT†	Super Duty Ratchet with Camo Webbing and J-Hooks, 30 ft., 3,300 lbs. Working Load	-	Bulk PDQ	4
95473DT†	Truck Bed Ratchet Strap, 9 ft., 400 lbs. Working Load	-	Boxed	1
94255DT†	Standard Duty Ratchet with 1 in. Wide Webbing, Retractable, 6 ft., 500 lbs. Working Load, (2 Pack)	-	Plastic Shroud	3
94273DT†	Heavy Duty Ratchet with 2 in. Wide Webbing, Retractable, 10 ft., 1,000 lbs. Working Load	-	PDQ Tray	4

† = Available while supplies last



# TRAILER JACKS

**BULLDOG® and Fulton® are the unquestionable leaders in design, manufacturing and distribution of screw jacks for OEMs and consumers in the world. Safety and quality are at the fore front of every design, for every industry and every application. BULLDOG® leverages a Tough & Trusted™ heritage of quality and a well-earned reputation of reliability into becoming the preferred brand of industrial and agricultural OEMs and has helped to set the ISO standard and benchmark for jacks. Combining a best-in-class product selection, warranty and cycle life testing. Fulton® is the #1 choice for boaters, anglers, and marine trailer manufacturers. Fulton® leads the way for marine-focused high-quality performing products with innovative designs.**

**POWERED JACKS**

4K Powered A-Frame Jacks ..... J-3  
 3.5K Powered A-Frame Jacks ..... J-4  
 2.5K Powered A-Frame Jack ..... J-5  
 Powered Fifth Wheel Landing Gear ..... J-5  
 Powered Marine Jacks ..... J-7  
 Velocity Series™ High Speed Jacks ..... J-21

**MARINE AND RECREATIONAL JACKS**

Powered Marine Jacks ..... J-7  
 XLT™ Series Marine Jacks ..... J-7  
 F2® Series Marine Jacks ..... J-8  
 Marine and Utility Jacks ..... J-9 - J-10

**ROUND JACKS**

Weld-On Round Jacks ..... J-11 - J-12  
 Bolt-On Round Jacks ..... J-13  
 A-Frame Round Jacks ..... J-14  
 Pro Series™ Round Jacks ..... J-27

**SQUARE JACKS**

5K Square Jacks ..... J-15  
 8K Square Jacks ..... J-16  
 10K Square Jacks ..... J-17  
 12K Heavy Duty Jacks ..... J-19 - J-20  
 2-Speed Jacks ..... J-22 - J-24  
 Pro Series™ Square Jacks ..... J-28

**SPECIALTY JACKS**

Landing Gear ..... J-5 / J-24  
 Farm and Ratchet Jacks ..... J-25  
 Rack and Gear Jacks ..... J-29

**ACCESSORIES**

Stabilizers and Drop Legs ..... J-30  
 Casters, Footplates, Pins and Mounts ..... J-31 - J-32

**DISCONTINUED PRODUCTS ..... J-33 - J-35**

**TECHNICAL INFORMATION ..... J-37 - J-42**

# FEATURED

## XL™ MARINE AND RECREATIONAL JACKS

This time-tested, and application proven Fulton trailer jack is designed for use with marine and utility trailers. The bolt-thru swivel mount uses 3-D formed, heavy-gauge steel stampings and a proprietary bushing material for a mount with minimal deflection and maximum support.

- Patent pending TruTurn™ 360 system delivers best in class castering performance
- Raises and lowers 35% faster than the competition
- Patented inner and outer tube bushings provide a tight fit and lessen tube drag
- 20% more screw travel than conventional jacks
- Stylized handles with soft touch grips
- Grease fittings in key locations for easy lubrication
- Now available in glossy black finish
- See page J-7 for additional information



## 5K SQUARE JACKS

Compared to round jacks of similar capacities, the BULLDOG® 5,000 lbs. support capacity square jack dramatically improves side load strength while maintaining the economical benefits of lower capacity jacks. The extra side load capacity you need without the costs of increasing overall capacity.

- 12 gauge square tube is 70% stronger than 12 gauge round tube for more side load and support strength with the same lift capacity
- 4.62 in. outer tube overlap at full extension for additional side load strength
- Weather-resistant materials and coatings. Painted outer tubes, clear zinc inner tubes
- Proven, reliable mechanical elements provide dependable strength and long-lasting, durable performance
- Mounts included in this series of jacks
- See page J-15 for additional information



## 2-SPEED TANDEM LANDING GEAR

- AAR and TTMA rated (all values per pair):
  - 45,000 lbs. lifting capacity (@ 100 ft. lbs. input torque)
  - 90,000 lbs. static capacity
- Competitive cranking ratios:
  - Low speed gear 27.3 turns per in.
  - High speed gear 4.5 turns per in.
- High efficiency, double lead screw
- Heavy duty, self-leveling sand shoe
- Cross shaft sold separately
- Standard TTMA mount, mounted to inside of frame (bolt-on model)
- Heavy duty ban for added strength
- Ideal for horse, livestock and heavy duty trailers
- See page J-24 for additional information



POWERED JACKS



500199

500200

**4K POWERED A-FRAME JACK**

Tough and Trusted BULLDOG® presents a powered jack with all the capacity and features you want.

- Heavy duty 4,000 lbs. lift capacity
- Positions quickly with up to 22 in. of total travel
- Drop leg with spring loaded pull pin
- Makes setting up easier with a handy built-in level right where you need it most
- Deploys and hooks up easily at night with on-board LED courtesy light
- Works in case of power loss with emergency manual override capability, easily accessible from the top
- Manual override crank included
- Lasts for years with industry-leading BULLDOG® performance, known worldwide for unmatched strength, durability, and side load capacity
- Retains like-new appearance with corrosion-resistant surfaces
- 5-year limited warranty



4K

Part Number	Description	Lift Capacity (lbs.)	Travel (in.)	Retracted (in.)	Extended (in.)	Clearance (in.)	Packaging	Master Carton
500199	Black Cover, Includes Drop Leg	4,000	22.00	9.75	31.75	21.00	Litho Box	2
500200	White Cover, Includes Drop Leg	4,000	22.00	9.75	31.75	21.00	Litho Box	2
Replacement Parts								
500190	Drop Leg and Pin Kit						Boxed	1
500193	Level Assembly and Screws						Display Bag	25
500194	Manual Override Cover Kit						Display Bag	25
500196	LED Light Assembly and Bulbs						Display Bag	25
500203	Manual Override Crank						Boxed	24
500360	Black Cover with Mounting Screws						Boxed	10
500361	White Cover with Mounting Screws						Boxed	10
500362	Light Switch for #500187, #500188, #500199 and #500200						Boxed	25
500363	Extend/Retract Switch for #500187, #500188, #500199 and #500200						Boxed	25



On-board LED lighting



Single axis level



Spring loaded drop leg pull pin



500187



500188

### 3.5K POWERED A-FRAME JACK

Tough and Trusted BULLDOG® presents a powered jack with all the capacity and features you want.

- Positions quickly with 14 in. of total travel
- 3,500 lbs. lift capacity
- Integrated gearbox and motor
- Drop leg
- Deploys and hooks up easily at night with on-board LED courtesy light, angled to illuminate coupler
- Works in case of power loss with emergency manual override capability, easily accessible from the top, crank included
- Manual override crank included
- Lasts for years with industry-leading BULLDOG® performance, known worldwide for unmatched strength, durability, and side load capacity
- Retains like-new appearance with corrosion-resistant surfaces
- 5-year limited warranty



# 3.5K

Part Number	Description	Lift Capacity (lbs.)	Travel (in.)	Retracted (in.)	Extended (in.)	Clearance (in.)	Packaging	Master Carton
500187	Black Cover, Includes Drop Leg	3,500	14.00	9.75	31.50	20.50	Litho Box	2
500188	White Cover, Includes Drop Leg	3,500	14.00	9.75	31.50	20.50	Litho Box	2
Replacement Parts								
500190	Drop Leg and Pin Kit						Boxed	1
500201	Manual Override Cover						Display Bag	25
500202	LED Light Assembly and Bulbs						Display Bag	25
500203	Manual Override Crank						Boxed	24
500305	Black Cover with Mounting Screws						Boxed	10
500306	White Cover with Mounting Screws						Boxed	10
500362	Light Switch						Poly Bag	25
500363	Extend/Retract Switch						Poly Bag	25



LED courtesy light



3,500 lbs. lift capacity



Emergency manual override



500708

### POWERED FIFTH WHEEL LANDING GEAR

- Includes: (2) RV landing legs with motors assembled, (1) control panel with two switches, (2) pull pin assemblies, (2) footplates with hardware, (4) mounting brackets with hardware and manual override socket adapter
- Improved motor stability and screw shaft
- Features the BULLDOG® power drive, geared for high torque applications without sacrificing the operational speed of 9 in. of travel per minute
- Allows for independent control of each landing gear leg to assist in leveling the RV
- 6 in. x 8 in. self leveling foot plate
- Please note the motor cannot be inverted, however, the motor can rotationally be positioned in (4) 90-degree increments
- Manual override
- Spring loaded pull pin



Part Number	Description	Support Capacity (lbs.)	Lift Capacity (lbs.)	Total Lift (in.)	Screw Travel (in.)	Packaging	Master Carton
500708	RV Landing Gear Assembly	8,000	8,000	36.00	18.00	Boxed	1
<b>Replacement Parts</b>							
500359	Dual Output Motor					Boxed	1
500367	Drop Leg and Foot Plate					Boxed	1
500368	Control Switch					Boxed	1
1011885-01	Inner Tube					Boxed	1



500162

### FIFTH WHEEL LANDING GEAR SYSTEM

- Traditional single drive system
- Heavy gauge 6 in. x 8 in. self-leveling foot plates with drain holes to prevent corrosion
- Spring loaded drop leg pin on 8,000 lbs. support capacity model
- Includes secondary gearbox
- 36 in. total travel
- Includes adjustable cross shaft
- Includes 4 mounting brackets and 4 sets of mounting hardware
- Motor, switch and harness must be obtained separately



Part Number	Description	Support Capacity (lbs.)	Lift Capacity (lbs.)	Total Lift (in.)	Screw Travel (in.)	Packaging	Master Carton
500162	RV Landing Gear Assembly (Motor, Switch and Harness Must Be Obtained Separately)	8,000	4,000	36.00	18.00	Boxed	1



500198

### PRO SERIES™ 2.5K POWERED A-FRAME JACK

- Integrated circuit breaker
- 18 in. total travel
- Works in case of power loss with supplied manual override crank handle
- Gloss black painted outer tube and motor assembly, clear zinc inner tube
- 1-year limited warranty

Part Number	Description	Lift Capacity (lbs.)	Travel (in.)	Retracted (in.)	Extended (in.)	Packaging	Master Carton
500198	Jack, without Footplate	2,500	18.00	8.50	26.50	Boxed	2
<b>Replacement Parts</b>							
500204	Drive Pin and Coupling					Display Bag	1





141401

### XLT™ POWERED MARINE JACK

- Patented spring-loaded drop leg pull pin positions quickly with 22 in. total travel
- Powered through 7-way or dedicated 12V DC battery
- Front and rear facing LED lights for low light conditions
- Corrosion resistant stainless steel internal ACME screw
- Easy to install - simply bolt to frame and hook up wiring
- Manual override using standard tools in case of power loss
- Includes mounting hardware for up to 5 in. high trailer tongues
- Premium Sharkskin™ finish:
  - Maximum corrosion resistance
  - Used in salt water environments and other demanding climate applications
- Pair with the Fulton® XLT™ powered marine winch (#500620 and #500621), see page L-2 for additional information



Part Number	Description	Lift Capacity (lbs.)	Travel (in.)	Retracted (in.)	Extended (in.)	Clearance (in.)	Packaging	Master Carton
141401	XLT Powered Jack	2,500	22.00	9.75	31.75	21.00	Litho Box	2



Front and rear LEDs



Fingertip Controls



Pair with Fulton XLT powered marine winch



141160

141133

### XLT™ MARINE JACKS

- Patent pending TruTurn™ 360 system delivers best in class casting performance
- Raises and lowers 35% faster than the competition
- Patented inner and outer tube bushings provide a tight fit and lessen tube drag
- 20% more screw travel than conventional jacks
- Stylized handles with soft touch grips
- Grease fittings in key locations for easy lubrication
- Premium Sharkskin™ finish:
  - Maximum corrosion resistance
  - Used in salt water environments and other demanding climate applications



Part Number	Description	Lift Capacity (lbs.)	Travel (in.)	Retracted (in.)	Extended (in.)	Clearance (in.)	Packaging	Master Carton
141133	Matte Silver Finish Bolt-On, Swing Away	1,500	12.00	15.00	27.00	15.50	Litho Box	2
141160	Matte Black Finish Bolt-On, Swing Away	1,500	12.00	15.00	27.00	15.50	Litho Box	2

Replacement Parts								
500365	Pull Pin						Boxed	25
500324	End Cap						-	-
500134	Handle/Crank Kit						Poly Bag	25
0933306S00	Service Kit, Includes: (2) Gears, (1) Pin, (1) Washer, (1) Spacer and (2) Flanged Bushings						Poly Bag	25



## F2® MARINE JACKS

The industry's only extruded aluminum, anodized finish marine jack; the ultimate corrosion resistant tubing.

- 35% faster lifting action than conventional jacks
- Maintenance free - designed to eliminate the need for lubrication
- Ergonomic design - crank, release pin and integrated wheel wedge are made of strong, engineered plastic for a comfortable touch
- Stylish design - compliment your boat and customize your trailer's styling
- One-piece enclosed gearbox for water and weather resistance
- Handle hold-up secures handle to jack tube when in stowed position
- Includes bolt-on mounting hardware for up to 5 in. frames
- Patented and protected
- Backed by Fulton's, limited lifetime warranty



1413020134



1413040134



1413230134



1413250334

Part Number	Description	Lift Capacity (lbs.)	Handle Style	Screw Travel (in.)	Mount Travel (in.)	Pull Pin Diameter (in.)	Packaging	Master Carton
1413020134	Twin Track	1,500	Sidewind	10.00	8.00	9/16	Litho Box	2
1413040134	Wide Track	1,600	Sidewind	10.00	8.00	9/16	Litho Box	2
1413140334	Wide Track (for 5 in. Frames)	1,600	Sidewind	10.00	8.00	9/16	Litho Box	1
1413230134	Swivel Footplate	2,000	Sidewind	10.00	13.00	9/16	Litho Box	2
1413250334*	A-Frame	2,000	Sidewind	9.00	-	-	Litho Box	1
Accessories								
500265	Removable Twin Track Wheel Assembly						Bulk	1
500266	Removable Wide Track Wheel Assembly						Bulk	25
500267	Removable Round Articulating Footplate						Bulk	1
44305F0317	F2 Coupler, 2-5/16 in. Ball, 10,000 lbs. Capacity						Bulk	1
Replacement Parts								
500130	Twin Track Wheel Replacement Kit						Poly Bag	25
500131	Wide Track Wheel Replacement Kit						Poly Bag	25
500132	Twin Track Wheel Wedge Kit						Poly Bag	25
500133	Wide Track Wheel Wedge Kit						Poly Bag	25
500138	Twin Track Replacement Wheel Only						Poly Bag	1
500134	Handle/Crank Kit, Includes Handle Grip, Groove Pin and Mounting Hardware						Poly Bag	25
500129	Handle Holdup						Poly Bag	25
500135	Gearbox Cover Kit, Includes Mounting Screws						Poly Bag	25
500136	Pull Pin Kit, Includes Spring and Retaining Ring						Poly Bag	50
500137	Bearing Replacement Kit						Poly Bag	25
500276	4 in. x 5 in. Mount with Hardware						Poly Bag	25
500277	3 in. x 4 in. Mount with Hardware						Poly Bag	25
500314	Gear Kit, Includes: (1) Shim Washer, (1) Straight Pin, (1) Groove Pin and (1) Washer						Poly Bag	100
500320	XP to F2 Adapter Kit						Clamshell	4
500268	Mounting Hardware for A-Frame Jack						Poly Bag	25
500324	End Cap						-	-

\*Use F2 Coupler #44305F0317 with F2 A-Frame Jack #1413250334

Twin Wheel US Patent D568,575 and Wide Wheel US Patent D570,072 and Handle US Patent D577,175



**MARINE AND UTILITY JACKS**

- Designed for use with marine and utility trailers, Fulton® brand tongue jacks are time- tested and application-proven
- The Fulton® brand patented bolt-thru swivel mounts use 3-D formed heavy-gauge steel stampings and a proprietary bushing material for a mount with minimal deflection and maximum support
- Strong proprietary bushing materials
- Stable formed heavy-gauge steel construction
- Dependable design
- Includes all necessary mounting hardware for up to 5 in. frames
- Handle and wheel included (unassembled)
- Bolt-thru swivel mount



• 600 hour salt spray rating per ASTM B117

Part Number	Description	Lift Capacity (lbs.)	Handle Style	Pull Pin (in.)	Travel (in.)	A Retracted (in.)	B Extended (in.)	C Clearance (in.)	Finish	Packaging	Master Carton
XP10 0101	6 in. Diameter Wheel	1,200	Sidewind	1/2	10.00	12.50	22.50	10.50	Z-Max 600 Silver	Litho Box	2
XP10 0126	6 in. Diameter Wheel	1,200	Sidewind	1/2	10.00	12.50	22.50	10.50	Glossy Black	Litho Box	2
XP15 0101	8 in. Diameter Spoked Wheel	1,500	Sidewind	1/2	10.00	13.00	23.00	12.40	Z-Max 600 Silver	Litho Box	2
XP15 0126	8 in. Diameter Wheel	1,500	Sidewind	1/2	10.00	13.00	23.00	12.40	Glossy Black	Litho Box	2
XP15L 0101	Additional 2 in. of Travel, 8 in. Diameter Spoked Wheel	1,500	Sidewind	1/2	12.00	13.00	25.00	14.40	Z-Max 600 Silver	Litho Box	2
XPD15L0101	Dual Wheel, Additional 2 in. of Travel, 6 in. Diameter Wheel	1,500	Sidewind	1/2	12.00	13.10	25.10	12.40	Z-Max 600 Silver	Litho Box	2
XPD15L0126	Dual Wheel, Additional 2 in. of Travel, 6 in. Diameter Wheel	1,500	Sidewind	1/2	12.00	13.10	25.10	12.40	Glossy Black	Litho Box	2
Replacement Parts											
500349	Bolt-On Mounting Kit									Poly Bag	25
0933325S00	Mounting Hardware and Bushing									Poly Bag	25
500320	XP to F2 Adapter Kit, for 4 in. frames									Clamshell	4
6811S00	6 in. Wheel Repair Service Kit									Poly Bag	25
0933323S00	8 in. Wheel Repair Service Kit									Poly Bag	25
500323	End Cap for XP10 Series									Display Bag	80
500324	End Cap for XP15 Series									Display Bag	80
0933301S00	Handle Kit for XP10 Series									Poly Bag	25
0933305S00	Handle Kit for XP15 Series									Poly Bag	1
0933302S00	Bevel Gear Kit for XP10 Series									Poly Bag	1
0933306S00	Bevel Gear Kit for XP15 Series									Poly Bag	25
0933307S00	Plunger Pin Kit									Poly Bag	1

1410050149

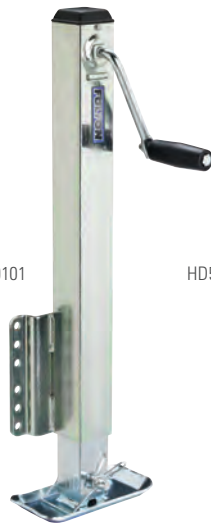


### LIGHT DUTY MARINE AND UTILITY JACKS

- Designed for use with light to medium duty marine, utility and recreational applications
- Widely regarded as "Best in Class"
- Time tested and application proven
- Satisfies the demand for both performance and style
- Strong proprietary bushing materials
- Stable formed heavy-gauge steel construction
- Dependable design
- 6 in. diameter wheel
- Includes all necessary mounting hardware for up to 5 in. frames
- Up to 1,200 lbs. lift capacity
- Retaining ring swivel mount

Part Number	Description	Lift Capacity (lbs.)	Handle Style	Pull Pin (in.)	Travel (in.)	A Retracted (in.)	B Extended (in.)	C Clearance (in.)	Packaging	Master Carton
1410050149	Trailer Stand, 6 in. Diameter Wheel	400	-	-	-	14.50	-	4.50	Litho Box	2
TJ12000101	6 in. Diameter Wheel	1,200	Sidewind	3/8	10.00	12.70	22.70	11.40	Litho Box	2
EJ10000101	Pro Series, 6 in. Diameter Wheel	1,000	Sidewind	3/8	10.00	13.00	23.00	11.00	Litho Box	-
Replacement Parts										
6811S00	6 in. Wheel Repair Service Kit								Poly Bag	25
500322	End Cap for TJ12000101 and EJ10000101								Display Bag	100

HD25000101



HD50000101



### SQUARE MARINE AND UTILITY JACKS

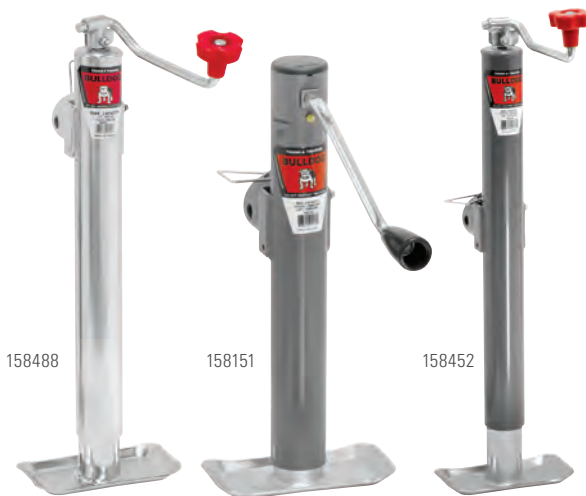
- Designed for use with marine and utility trailers, Fulton® brand tongue jacks are time- tested and application-proven
- Strong proprietary bushing materials
- Stable formed heavy-gauge steel construction
- Dependable design
- Includes all necessary mounting hardware for up to 6 in. frames
- Includes handle drop leg footplate
- Z-Max 600 industry leading corrosion protection (600 hour salt spray)
- Up to 5,000 lbs. lift capacity
- Bolt-on, fixed mount
- "Travel" includes drop leg



• 600 hour salt spray rating per ASTM B117

Part Number	Description	Lift Capacity (lbs.)	Handle Style	Pull Pin (in.)	Travel (in.)	A Retracted (in.)	B Extended (in.)	C Clearance (in.)	Finish	Packaging	Master Carton
HD25000101	3.8 in. x 7.5 in. Footplate, (Mounting Hardware Included)	2,500	Sidewind	-	28.00	7.00	35.50	19.25	Z-Max 600 Silver	Litho Box	2
HD50000101	6.0 in. x 8.0 in. Footplate, (Mounting Hardware Included)	5,000	Sidewind	-	28.00	6.50	35.00	18.50	Z-Max 600 Silver	Litho Box	1
Replacement Parts											
500286	Bolt-On Mounting Hardware									Poly Bag	25
0933305S00	Handle Kit									Poly Bag	1
0933306S00	Bevel Gear Kit									Poly Bag	25
500325	End Cap for HD25000101									Display Bag	50
500314	Gear Kit, Includes: (1) Shim Washer, (1) Straight Pin, (1) Groove Pin and (1) Washer									Poly Bag	100

# ROUND JACKS



## WELD-ON ROUND JACKS

- Recognized as the industry standard by leading agricultural, commercial, horse and livestock trailer manufacturers
- High-strength, heavy-duty design
- Unmatched strength, reliability, safety and value
- Dependable vertical and side load capacity
- Proven reliability for long term use at rated loads
- Precision fitted parts for extra stability
- Up to 7,000 lbs. lift capacity
- Weld-on tubular swivel mount and retaining ring swivel mount
- Gray painted outer tubes and zinc plated inner tubes, (unless otherwise stated)
- Includes footplate and mating mount (most models)



THE CHOICE WHEN APPLICATION REQUIRES COMPLIANCE WITH ASABE S485 STANDARDS



Part Number	Model Number	Description	Lift Capacity (lbs.)	Pin (in.)	Handle Style	Travel (in.)	A Retracted (in.)	B Extended (in.)	C Clearance (in.)	Packaging	Master Carton
<b>Tubular Swivel</b>											
158451 ◊	TWS 158 DTSF w/P&C	Includes Footplate and Male Mating Mount	2,000	9/16	Topwind	10.00	11.00	21.00	4.00	Bulk	1
158452 ◊	TWL 158 DTSF w/P&C	Includes Footplate and Male Mating Mount	2,000	9/16	Topwind	15.00	14.50	29.50	10.00	Bulk	1
150441	TWS 150 DTSFX w/P&C	Includes Footplate, Clear Zinc Finish	2,000	9/16	Topwind	10.00	11.00	21.00	4.00	Bulk	1
158488	TWL 150 DTSF w/P&C	Includes Footplate and Mating Mount, Clear Zinc Finish	2,000	9/16	Topwind	15.00	16.00	31.00	4.00	Bulk	1
158109	SWS 158 DTSF w/P&C	Includes Footplate and Male Mating Mount	2,000	9/16	Sidewind	10.00	10.80	20.80	6.40	Bulk	1
158151 ◊	SWL 158 DTSF w/P&C	Includes Footplate and Male Mating Mount	2,000	9/16	Sidewind	15.00	14.50	29.50	12.20	Bulk	1
1541150301	SWS 158 DTSF	No Foot or Mount	2,000	5/8	Sidewind	10.00	7.70	17.70	8.70	Bulk	1
1581510117	SWL 158 DTSP w/P&C	Includes Footplate and Male Mating Mount	2,000	9/16	Sidewind	15.00	14.50	29.50	12.20	Bulk	1
1581090301	-	Includes Footplate	2,000	5/8	Sidewind	10.00	10.80	20.80	6.30	Bulk	1
1501040301	TWL 150 DTSF w/P&C	Includes Footplate and Male Mating Mount, Clear Zinc Finish	3,000	5/8	Topwind	15.00	12.40	27.40	12.25	Bulk	1
178101 ◊	TWS 178 DTSF w/P&C	Includes Footplate and Male Mating Mount	5,000	9/16	Topwind	10.00	11.25	21.25	4.00	Bulk	1
178151	TWL 178 DTSF w/P&C	Includes Footplate and Male Mating Mount	5,000	9/16	Topwind	15.00	14.70	29.70	10.00	Bulk	1
178201 ◊	SWS 178 DTSF w/P&C	Includes Footplate and Male Mating Mount	5,000	5/8	Sidewind	10.00	10.40	20.40	6.40	Bulk	1
178203	SWL 178 DTSF w/P&C	Includes Footplate and Male Mating Mount	5,000	5/8	Sidewind	15.00	15.40	30.40	6.40	Bulk	1
198100	TWS 198 DTSM w/P&C	Includes Footplate and Female Mating Mount	7,000	5/8	Topwind	10.00	10.80	20.80	4.50	Bulk	1
198200	TWL 198 DTSM w/P&C	Includes Footplate and Female Mating Mount	7,000	5/8	Topwind	15.00	15.80	30.80	4.25	Bulk	1
198150 ◊	SWS 198 DTSM w/P&C	Includes Footplate and Female Mating Mount	7,000	5/8	Sidewind	10.00	11.00	21.00	6.40	Bulk	1
198250	SWL 198 DTSM w/P&C	Includes Footplate and Female Mating Mount	7,000	5/8	Sidewind	15.00	16.00	31.00	6.40	Bulk	1

◊ Denotes most popular

Weld-on round jacks continued on next page



Part Number	Model Number	Description	Lift Capacity (lbs.)	Pin (in.)	Handle Style	Travel (in.)	A Retracted (in.)	B Extended (in.)	C Clearance (in.)	Packaging	Master Carton
<b>Retaining Ring Swivel</b>											
151401 ◊	TWS 151 DS	L-Bend Swivel Bracket Assembled, Includes Footplate	2,000	1/2	Topwind	10.00	11.00	21.00	4.00	Bulk	1
151421	TWL 151 DS	L-Bend Swivel Bracket Assembled, Includes Footplate	2,000	1/2	Topwind	15.00	14.50	29.50	10.00	Bulk	1
151460	TWS 151 DS	Includes Footplate, Clear Zinc Finish, L-Bend Swivel Bracket Sold Separately	2,000	3/8	Topwind	10.00	11.00	21.00	4.00	Bulk	1
151464	TWL 151 DS	L-Bend Swivel Bracket Assembled, Includes Footplate	2,000	3/8	Topwind	15.00	16.00	31.00	4.00	Bulk	1
151101 ◊	SWS 151 DS	L-Bend Swivel Bracket Assembled, Includes Footplate	2,000	1/2	Sidewind	10.00	11.00	21.00	6.40	Bulk	1
151110	SWS 151 DSX	L-Bend Swivel Bracket Assembled, Includes Footplate	2,000	3/8	Sidewind	15.00	15.80	30.80	6.25	Bulk	1
151159	SWL 151 DS	L-Bend Swivel Bracket Assembled, Includes Footplate	2,000	1/2	Sidewind	15.00	14.50	29.50	12.20	Bulk	1
171401	TWS 171 DS	L-Bend Swivel Bracket Assembled, Includes Footplate	5,000	1/2	Topwind	10.00	11.25	21.25	4.00	Bulk	1
171412	TWL 171 DS	L-Bend Swivel Bracket Assembled, Includes Footplate	5,000	1/2	Topwind	15.00	14.50	29.50	10.00	Bulk	1
<b>Replacement Parts</b>											
500256	Sidewind Crank Assembly for 150 Series									Clamshell	12
500105	Sidewind Crank Assembly for 170 Series									Clamshell	12
500171	Sidewind Crank Assembly for 190 Series									Clamshell	6
500180	Topwind Crank Assembly									Clamshell	6
500326	End Cap, 2 in. Diameter									Display Bag	-
500106	Sidewind Gear Kit for 150 Series and 170 Series									Poly Bag	18
500156	Sidewind Gear Kit for 190 Series									Poly Bag	10
0152730300	Male Weld-On Tube Mount, 9/16 in. Pin, 2 in. Outer Diameter									Poly Bag	1
P9222-00	Weld-On Retaining Ring Swivel Mount									Bulk	50
0050240300	Female Weld-On Tubular Swivel Mount, 5/8 in. Hole									Bulk	25
500239	Male Weld-On Tubular Swivel Mount, 9/16 in. Hole									Clamshell	8
500242	Weld-On Swivel Bracket with L-Bend									Clamshell	10
500251	Bearing Kit for 150 Series									Clamshell	18
500223	Thrust Bearing for 170 Series									Clamshell	18
500224	Thrust Bearing Kit for 190 Series									Clamshell	18
500205	Sidewind Crank Gear Box Cover									Poly Bag	50

# ROUND JACKS



## BOLT-ON ROUND JACKS

- Recognized as the industry standard by leading agricultural, commercial, horse and livestock trailer manufacturers
- High-strength, heavy-duty design
- Unmatched strength, reliability, safety and value
- Dependable vertical and side load capacity
- Proven reliability for long term use at rated loads
- Precision fitted parts for extra stability
- Retaining ring swivel models;
  - Bracket assembled with mounting hardware
  - Fits tongues up to 3 in. x 4 in.



THE CHOICE WHEN APPLICATION REQUIRES COMPLIANCE WITH ASABE S485 STANDARDS



Part Number	Model Number	Description	Lift Capacity (lbs.)	Handle Style	Travel (in.)	A Retracted (in.)	B Extended (in.)	C Clearance (in.)	Packaging	Master Carton
<b>A-Frame</b>										
155022	TWL 155	Weld-On/Bolt-On Bracket	2,000	Topwind	15.00	8.80	23.80	12.20	Bulk	1
155028	TWL 155	Weld-On/Bolt-On Bracket, Clear Zinc Finish	2,000	Topwind	15.00	8.40	23.40	13.00	Bulk	1
155033	TWL 155X	Weld-On/Bolt-On Bracket	2,000	Topwind	15.00	5.40	20.40	16.00	Bulk	1
155100	-	7.5 in. Bracket to Ground Retracted, with Welded Disc Foot	2,000	Topwind	15.00	7.50	22.50	17.00	Bulk	1
155157	SWL 155X (RV)	External Gear Box, Handle to Front, Weld-On/Bolt-On Bracket	2,000	Sidewind	13.00	8.60	21.50	13.00	Bulk	1
1550100317	SWL 155 X	External Gear Box, Weld-On/Bolt-On Bracket	3,000	Sidewind	13.00	7.00	20.00	14.50	Bulk	1
1550101344	SWL 155 X	External Gear Box, Weld-On/Bolt-On Bracket, Clear Zinc Finish	3,000	Sidewind	13.00	7.00	20.00	14.50	Bulk	1
155032	TWL 155 HD	Weld-On/Bolt-On Bracket	5,000	Topwind	15.00	10.30	25.30	10.20	Bulk	1
1750290317	TWL 175	Weld-On/Bolt-On Bracket	5,000	Topwind	15.00	10.82	25.82	10.70	Bulk	1
1750290301	TWL 175	Weld-On/Bolt-On Bracket, Clear Zinc Finish	5,000	Topwind	15.00	10.82	25.82	10.70	Bulk	1
1700100317	SWL 175	Handle to Front, Weld-On/Bolt-On Bracket	5,000	Sidewind	15.00	8.60	23.60	12.75	Bulk	1
1700100301	SWL 175	Handle to Front, Weld-On/Bolt-On Bracket, Clear Zinc Finish	5,000	Sidewind	15.00	8.60	23.60	12.75	Bulk	1
<b>Retaining Ring Swivel</b>										
151443	TWS 159 SX	Bolt-On, Retaining Ring Swivel, 1/2 in. Diameter Plunger Pin, No Base	2,000	Topwind	10.00	11.00	21.00	4.00	Bulk	1
154102	SWS 154 DC	Centerbolt, Retaining Ring Swivel	2,000	Sidewind	10.00	10.80	20.80	6.26	Bulk	1
154107	TWS 154 DCX	Centerbolt, Retaining Ring Swivel, 1/2 in. Diameter Plunger Pin and Footplate	2,000	Topwind	10.00	11.00	21.00	4.00	Bulk	1
<b>Replacement Parts</b>										
500256	Sidewind Crank Assembly for 150 Series								Clamshell	12
500105	Sidewind Crank Assembly for 170 Series								Clamshell	12
500180	Topwind Crank Assembly								Clamshell	6
500251	Bearing Kit for 150 Series								Clamshell	18
500223	Thrust Bearing for 170 Series								Clamshell	18
500106	Sidewind Gear Kit for 150 Series and 170 Series								Poly Bag	18
500241	Swivel Retaining Ring								Clamshell	10
500205	Sidewind Crank Gear Box Cover								Poly Bag	50
0031350300	A-Frame Bottom Support Plate								Bulk	1



**NO MOUNT ROUND JACKS**

- Recognized as the industry standard by leading agricultural, commercial, horse and livestock trailer manufacturers
- High-strength, heavy-duty design
- Unmatched strength, reliability, safety and value
- Dependable vertical and side load capacity
- Proven reliability for long term use at rated loads
- Precision fitted parts for extra stability
- Gray painted outer tubes and zinc plated inner tubes
- No foot or mount



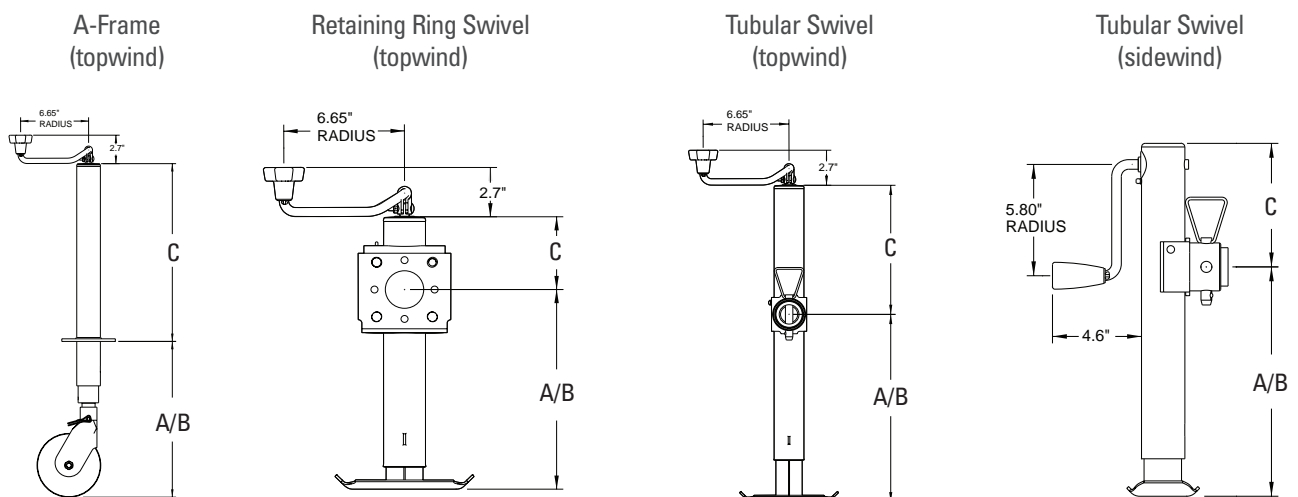
THE CHOICE WHEN APPLICATION REQUIRES COMPLIANCE WITH ASABE S485 STANDARDS



Part Number	Model Number	Description	Lift Capacity (lbs.)	Handle Style	Travel (in.)	A Retracted (in.)	B Extended (in.)	C Clearance (in.)	Packaging	Master Carton
150037	TWL 150 X	No Foot, No Mount	2,000	Topwind	10.00	20.40	35.40	-	Bulk	1
150152	SWL 150	No Foot, No Mount	2,000	Sidewind	15.00	26.60	41.60	-	Bulk	1
1500520317	SWL 150 X	No Foot, No Mount	2,000	Sidewind	15.00	23.60	38.60	-	Bulk	1
150000	TWL 150	No Foot, No Mount	2,000	Topwind	10.00	15.00	25.00	-	Bulk	1
1701480317	TWL 170	No Foot, No Mount	5,000	Topwind	15.00	21.00	36.00	-	Bulk	1
170205	SWL 170	No Foot, No Mount	5,000	Sidewind	15.00	19.20	34.20	-	Bulk	1
Replacement Parts										
500326	End Cap, 2 in. Diameter								Display Bag	-
500256	Sidewind Crank Assembly for 150 Series								Clamshell	12
500105	Sidewind Crank Assembly for 170 Series								Clamshell	12
500180	Topwind Crank Assembly								Clamshell	6
500251	Bearing Kit for 150 Series								Clamshell	18
500223	Thrust Bearing for 170 Series								Clamshell	18
500106	Sidewind Gear Kit for 150 Series and 170 Series								Poly Bag	18
500205	Sidewind Crank Gear Box Cover								Poly Bag	50

◊ Denotes most popular

Travel and Clearance Diagram  
A= Retracted B= Extended C= Clearance Height







5K

### 5K SQUARE JACKS

Compared to round jacks of similar capacities, the BULLDOG® 5,000 lbs. support capacity square jack dramatically improves side load strength while maintaining the economical benefits of lower capacity jacks. The extra side load capacity you need without the costs of increasing overall capacity.

- 12 gauge square tube is 70% stronger than 12 gauge round tube for more side load and support strength with the same lift capacity
- 4.62 in. outer tube overlap at full extension for additional side load strength
- Weather-resistant materials and coatings, Painted outer tubes, clear zinc inner tubes
- Proven, reliable mechanical elements provide dependable strength and long-lasting, durable performance
- Drop leg with base offers 13.50 in. of additional adjustment
- Tubular swivel models include mating mount, pin and chain



THE CHOICE WHEN APPLICATION REQUIRES COMPLIANCE WITH ASABE S485 STANDARDS



Part Number	Model Number	Description	Support Capacity (lbs.)	Lift Capacity (lbs.)	Handle Style	Travel (in.)	A Retracted (in.)	B Extended (in.)	C Clearance (in.)	Packaging	Master Carton
<b>Tubular Swivel</b>											
195306 ◊	TWL 195 DTSFQ	Round Tubular Swivel, Fixed Leg with Base	5,000	3,000	Topwind	15.00	15.20	30.20	7.00	Bulk	-
195356 ◊	SWL 195 DTSFQ w/P&C	Round Tubular Swivel, Fixed Leg with Base	5,000	3,000	Sidewind	15.00	15.10	30.10	9.25	Bulk	-
195312 ◊	TWL 195 DTSXFQ/P&C	Square Tubular Swivel, Fixed Leg with Base	5,000	3,000	Topwind	15.00	15.20	30.20	7.00	Bulk	-
195362	SWL 195 DTSXFQ/P&C	Square Tubular Swivel, Fixed Leg with Base	5,000	3,000	Sidewind	15.00	15.10	30.10	9.25	Bulk	-
<b>A-Frame</b>											
195318	TWL 195 DL-DFXQ	Drop Leg with Base, 13.50 in. Additional Adjustment	5,000	3,000	Topwind	15.00	7.90	36.50	14.70	Bulk	-
195321 ◊	TWL 195 FL-FXQ	Fixed Leg Less Base	5,000	3,000	Topwind	15.00	7.40	22.40	14.70	Bulk	1
<b>Direct Weld</b>											
195304 ◊	TWL 195 DL-DXQ	Drop Leg with Base, 13.50 in. Additional Adjustment	5,000	3,000	Topwind	15.00	22.60	51.20	-	Bulk	-
195320	TWL 195 FL-XQ	Fixed Leg Less Base	5,000	3,000	Topwind	15.00	22.10	37.10	-	Bulk	-
195351	SWL 195 DQ	Fixed Leg with Base	5,000	3,000	Sidewind	10.00	17.70	27.70	-	Bulk	-
195352	TWL 195 DQ	Fixed Leg with Base	5,000	3,000	Sidewind	15.00	24.40	39.40	-	Bulk	1
195354 ◊	SWL 195 DL-DXQ	Drop Leg with Base, 13.50 in. Additional Adjustment	5,000	3,000	Sidewind	15.00	25.50	54.10	-	Bulk	-
195368	SWL 195 FL-XQ	Fixed leg with Caster Base	5,000	3,000	Sidewind	15.00	24.40	39.40	-	Bulk	-
195369	SWL 195 FL-XQ	Fixed Leg Less Base	5,000	3,000	Sidewind	15.00	24.20	39.20	-	Bulk	-
<b>Replacement Parts</b>											
500106	Sidewind Gear Kit for 190 Series									Poly Bag	18
500171	Sidewind Crank Assembly for 190 Series									Clamshell	6
500180	Topwind Crank Assembly									Clamshell	6
500224	Thrust Bearing for 190 Series									Clamshell	18
500205	Sidewind Crank Gear Box Cover									Poly Bag	50
0031350300	A-Frame Bottom Support Plate									Bulk	1



## 8K SQUARE JACKS

The BULLDOG® 8,000 lbs. support capacity square jack serves the agricultural, industrial, construction, horse/livestock trailer, and utility/cargo trailer markets. The compact design of these jacks makes them ideal for tight-fitting applications where 3 in. and 4 in. square tube jacks are too large.

- Use the painted outer tube as the final finish or primer
- Zinc-plated inner tube and drop leg
- 4.7 in. outer / inner tube overlap - results in optimal side load performance
- 5/8 in. screw stem - provides insurance against screw stem twisting off
- Patented screw nut stop - prevents screw and/or nut damage when jack is fully extended
- Topwind models - bushing in top cap, eagle claw grip
- Sidewind models - 1/4 in. cross pin connects gear train to screw stem - guards against shearing jack pin
- Tubular swivel models include mating mount, pin and chain



THE CHOICE WHEN APPLICATION REQUIRES COMPLIANCE WITH ASABE S485 STANDARDS



# 8K

Part Number	Model Number	Description	Support Capacity (lbs.)	Lift Capacity (lbs.)	Handle Style	Travel (in.)	A Retracted (in.)	B Extended (in.)	C Clearance (in.)	Packaging	Master Carton
<b>Tubular Swivel</b>											
190705 ◊	TWS 190 FL-B TSMQ w/P&C	Fixed Leg with Heavy-Duty Base	8,000	5,000	Topwind	10.00	11.41	21.41	4.25	Bulk	1
190706	TWL 190 FL-B TSMQ w/P&C	Fixed Leg with Heavy-Duty Base	8,000	5,000	Topwind	15.00	12.16	27.16	10.25	Bulk	1
190708	TWL 190 DL-B TSMQ w/P&C	Drop Leg with Heavy-Duty Base, Drop Leg Offers 13.50 in. Additional Adjustment	8,000	5,000	Topwind	15.00	12.66	41.16	10.25	Bulk	1
190724	TWL 190 FL-DTS BQ	Fixed Leg with Heavy-Duty Base, without Mating Mount	8,000	5,000	Topwind	15.00	15.10	30.10	7.00	Bulk	1
190756 ◊	SWL 190 FL-B TSMQ w/P&C	Fixed Leg with Heavy-Duty Base	8,000	5,000	Sidewind	15.00	12.16	27.16	12.40	Bulk	1
190758	SWL 190 DL-B TSMQ w/P&C	Drop Leg with Heavy-Duty Base, Drop Leg Offers 13.50 in. Additional Adjustment	8,000	5,000	Sidewind	15.00	12.66	41.16	12.40	Bulk	1
<b>Direct Weld</b>											
190704 ◊	TWL 190 DL-BQ	Drop Leg, No Mount, 13.50 in. Additional Adjustment	8,000	5,000	Topwind	15.00	22.66	51.41	-	Bulk	1
190754 ◊	SWL 190 DL-BQ	Drop Leg, No Mount, 13.50 in. Additional Adjustment	8,000	5,000	Sidewind	15.00	25.06	53.56	-	Bulk	1
1907540176	SWL 190 DL-BQ	Drop Leg, No Mount, 13.50 in. Additional Adjustment	8,000	5,000	Sidewind	15.00	25.06	53.56	-	Bulk	1
<b>Replacement Parts</b>											
0031550300	Female Weld-On Tubular Mount, 3/4 in. Pin									Bulk	-
500171	Sidewind Crank Assembly for 190 Series									Clamshell	6
500180	Topwind Crank Assembly									Clamshell	6
500224	Thrust Bearing for 190 Series									Clamshell	18
500205	Sidewind Crank Gear Box Cover									Poly Bag	50
500156	Sidewind Gear Kit for 8,000 lbs. Capacity									Poly Bag	10

◊ Denotes most popular



### 10K SQUARE JACKS

The BULLDOG® 10,000 lbs. support capacity square jacks “fills the gap” between 8,000 lbs. and 12,000 lbs. square jack product offerings. If the existing 8,000 lbs. support capacity square jacks are too small or the 12,000 lbs. support capacity square jacks are too large, look no further – your application and pricing requirements have been met!

- Highest quality and best performing jack available today, a total balance between capacity, speed and effort
- Heavy-gauge 3 in. square tubing allows for direct weld mounting wherever the application allows – no burn through
- Heavy-duty base, with reinforcement ribs, zero water retention
- Precision manufactured for long term reliability and smooth, easy cranking
- Grease zerk for easy lubrication as needed
- Oil-impregnated bushing for improved bearing and gear life
- Direct weld to outer tube is standard
- Sidewind models - 1:1.86 gear ratio
- Drop leg with base offers 13.50 in. of additional adjustment



THE CHOICE WHEN APPLICATION REQUIRES COMPLIANCE WITH ASABE S485 STANDARDS

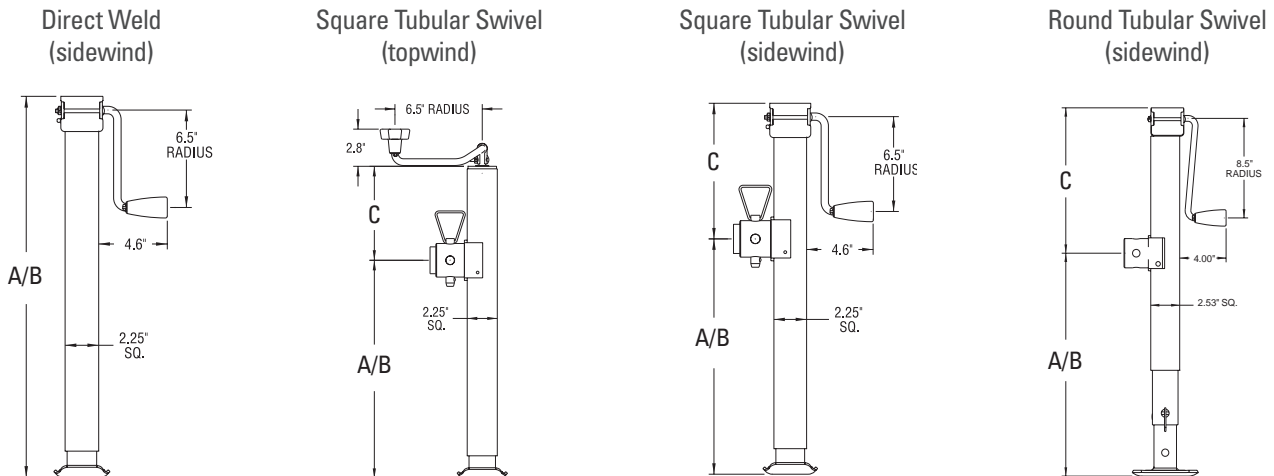


# 10K

Part Number	Model Number	Description	Support Capacity (lbs.)	Lift Capacity (lbs.)	Handle Style	Travel (in.)	A Retracted (in.)	B Extended (in.)	C Clearance (in.)	Packaging	Master Carton
<b>Tubular Swivel</b>											
180587	SWL 180 FT-BTSXQ	Fixed Leg with Base, Includes Mating Mount	10,000	7,200	Sidewind	15.00	12.00	27.00	12.80	Bulk	1
<b>Direct Weld</b>											
180304 ◊	TWS 180 DL-BQ	Drop Leg with Base	10,000	7,200	Topwind	10.00	18.18	38.31	-	Bulk	1
180354	TWL 180 DL-BQ	Drop Leg with Base	10,000	7,200	Topwind	15.00	22.93	51.43	-	Bulk	1
180405	SWS 180 DL-BQ	Drop Leg with Base	10,000	7,200	Sidewind	10.00	19.93	40.05	-	Bulk	1
180455 ◊	SWL 180DL-BQ	Drop Leg with Base	10,000	7,200	Sidewind	15.00	25.67	54.17	-	Bulk	1
<b>Replacement Parts</b>											
500180	Topwind Crank Assembly									Clamshell	6
015181	Sidewind Crank Assembly for 180 Series									Bulk	1
500344	Topwind Handle Only									Display Bag	25

◊ Denotes most popular

Travel and Clearance Diagram  
A= Retracted B= Extended C= Clearance Height





## 12K SQUARE JACKS

Strong, durable, and sturdy, the BULLDOG® 12,000 lbs. support capacity square jack is the BIG reason why BULLDOG® has carried the load in agricultural, construction, heavy-duty utility, and horse/livestock trailer industries since 1923. All BULLDOG® 4 in. square jacks are rated for 12,000 lbs. support capacity and 10,000 lbs. lift capacity. The strength of the product, plus the wide variety of styles, makes this jack the best choice in its product class.

- 4 in. square tubing, 7-gauge superior alloy steel
- Painted outer tube, inner tube, and drop leg
- Drop leg option with 5 positioning holes
- Easy-access gear box with grease fitting for routine maintenance
- Spring return drop leg or non-spring return drop leg
- 12.5 in. screw travel, 13.5 in. of additional adjustment with drop leg
- Front facing drop leg plunger pin or side facing drop leg plunger pin
- Painted (with or without labels) or powder paint optional
- Direct weld to outer tube is standard
- Sidewind models - 1:1.86 gear ratio



THE CHOICE WHEN APPLICATION REQUIRES COMPLIANCE WITH ASABE S485 STANDARDS



# 12K

Part Number	Model Number	Description	Support Capacity (lbs.)	Lift Capacity (lbs.)	Handle Style	Travel (in.)	A Retracted (in.)	B Extended (in.)	C Clearance (in.)	Packaging	Master Carton
<b>Direct Weld - Spring Return</b>											
182800 ◊	SWQ 180 DL-B-SR	Drop Leg Pull Pin to the SIDE, Crank Sold Separately	12,000	10,000	Sidewind	12.50	27.40	53.60	-	Bulk	1
182804	SWQ 180 DL-BC-SR	Drop Leg Pull Pin to the SIDE, Includes Crank	12,000	10,000	Sidewind	12.50	27.40	53.60	-	Bulk	1
182805	SWQ 180 DL-BX RH	Drop Leg Pull Pin to the SIDE, Crank Sold Separately Companion Jack to 182800, 182802, and 182804	12,000	10,000	Sidewind	12.50	27.40	53.50	-	Bulk	1
182815 ◊	SWQ 180 DL-BX	Drop Leg Pull Pin to the FRONT, Crank Sold Separately	12,000	10,000	Sidewind	12.50	28.60	54.60	-	Bulk	1
<b>Direct Weld - Non-Spring Return</b>											
182300	TWQ 180 DL-B	Crank Sold Separately	12,000	10,000	Topwind	12.50	23.40	49.40	-	Bulk	1
182304 ◊	TWQ 180 DL-BC	Crank Included	12,000	10,000	Topwind	12.50	23.40	49.40	-	Bulk	1
182400 ◊	SWQ 180 DL-B	Drop Leg Pull Pin to the SIDE, Crank Sold Separately	12,000	10,000	Sidewind	12.50	27.40	53.30	-	Bulk	1
182404	SWQ 180 DL-BC	Drop Leg Pull Pin to the SIDE, Crank Included	12,000	10,000	Sidewind	12.50	27.40	53.30	-	Bulk	1
182411	SWQ 180 DL-B	Drop Leg Pull Pin to the SIDE, Crank Sold Separately, Companion Jack to 182400 and 182404	12,000	10,000	Sidewind	12.50	27.40	53.50	-	Bulk	1
182415 ◊	SWQ 180 DL-BX	Drop Leg Pull Pin to the FRONT, Crank Sold Separately	12,000	10,000	Sidewind	12.50	28.60	54.60	-	Bulk	1
182500	SWQ 180 FL-B	Fixed Leg Jack with Standard Disc Foot, Crank Sold Separately	12,000	10,000	Sidewind	12.50	27.00	39.50	-	Bulk	1
<b>Tubular Swivel - Non-Spring Return</b>											
182524	SWQ 180 TS-FL-BCX	Fixed Leg Jack with Standard Disc Foot, Crank Included, Mating Mount not Included, (use #005122)	12,000	10,000	Sidewind	12.50	17.00	29.60	10.10	Bulk	1

◊ Denotes most popular



Part Number	Description	Packaging	Master Carton
<b>Replacement Parts</b>			
015181	Sidewind Crank Assembly with 13.5 in. Radius, Vertical Clevis, Mounting Hardware Included	Bulk	1
800102	Sidewind Crank Assembly with 13.5 in. Radius, Horizontal Clevis, Mounting Hardware Included	Boxed	1
800075	Topwind Crank Assembly with 9.5 in. Radius, Vertical Clevis, Mounting Hardware Included	Boxed	400
800090	Sidewind Crank Assembly with 13.5 in. Radius, Horizontal Clevis, Mounting Hardware Included	Boxed	25
800148	Sidewind Crank, 13.5 in. Radius with Soft Touch Handle Grip for 12,000 lbs. Jacks with 13/16 in. Hex Socket	Boxed	25
701466	Sidewind Crank with 13.5 in. Offset Radius, All Zinc-Plated Crank, Dual Handle Grips for Cranking and Shifting, For use with OEM Supplied Outboard Bushing or May be Attached Directly on Jack Gear Box, Needs 012378 adapter with traditional Gear Box	Boxed	10
CS730300	Cross Shaft Extension Tube 72.75 in. to Connect Jacks in Tandem Application	Boxed	25
500312	Handle Clip	Boxed	100
500285	Sun Gear and Stub Shaft Assembly and Bushings for Two-Speed Planetary Gear Box	Poly Bag	25
500212	Gear Kit, Including Pins and Bushings	Poly Bag	50
500217	Screw and Nut Assembly, Bearing, Support Washer and Retaining Pins for Sidewind	Poly Bag	20
500250	Screw and Nut Assembly, Bearing, Support Washer and Retaining Pins for Topwind	Clamshell	10



### POWERED DRIVE KITS

- Designed for use with BULLDOG® 12,000 lbs. and Twin Cam™ jacks
- Lifts 50% more than competition; lifts 3 in. per minute at typical working loads, can be manually cranked in the event of power loss
- State of the art 12VDC electric motor
  - Quiet operation - 50% quieter than competitive units
  - Efficient use of electrical power - 60% more efficient than competitive units
  - Permanently lubricated to provide years of maintenance free use
- Custom designed wiring harness and rocker switch enclosed in a weather proof box; utilizes a 25 amp circuit breaker with push button reset feature
- Can be used in both single and tandem jack applications, kit includes all necessary components for ease of installation

Part Number	Description	Lift Capacity (lbs.)	Packaging	Master Carton
1824200100	Electric Powered Kit, for Single-Speed Square Jacks	7,250	Litho Box	1
1824180100	Electric Powered Kit, for Two-Speed Square Jacks	7,250	Litho Box	1
<b>Replacement Parts</b>				
500370	Powered Single Speed Drive Motor for 1824200100 Only		Boxed	1



### VELOCITY SERIES™ HIGH SPEED JACKS

- Fast, Powerful, Easy to Install
- 12,000 lbs. lift capacity
- OEM and Aftermarket Industrial, Horse and Livestock, and RV Applications
- Mounts without welding and requires no hydraulic oil, hoses, or pumps
- Fully Powered, 12,000 lbs. capacity per leg with proprietary high-speed system
- 24 in. total travel
- Approximate travel speed and current draw
  - 31 in. per min. at no load, 15 amps
  - 30 in. per min. at 4,000 lbs., 40 amps
  - 26 in. per min. at 8,000 lbs., 65 amps
  - 21 in. per mi. at 12,000 lbs., 100 amps
- 185400 Includes wired remote
- Optional wireless controller available separately
- Resists corrosion with premium powder coat finish
- Manual override in case of power loss
- 5-year limited warranty



185400

Part Number	Description	Lift Capacity (lbs.)	Packaging	Master Carton
185400	Velocity Series High Speed Jack (Includes Single Remote)	12,000	Litho Box	1
185402	Velocity Series High Speed Jack (Remote Not Included)	12,000	Litho Box	1
<b>Accessories</b>				
500527	Wireless Remote, 3-Pin		Boxed	10
500372	Single Remote		Boxed	1
500386	Single Switch		Boxed	25
500379	Tandem Remote		Boxed	15
500380	3-Pin Connector		Poly Bag	50
500382	Channel Adapter Kit		Boxed	25
<b>Replacement Parts</b>				
500389	Adapter Kit		Boxed	1
500374	Footplate		Boxed	1
500375	Cover Kit		Boxed	6
500376	Contactork Kit		Boxed	25



Wireless remote



Single wired remote



Tandem wired remote



Single wired switch



## TWIN CAM™ DROP LEG JACK

*The industry's strongest drop leg jack.*

The BULLDOG® Twin Cam™ features a convenient, enclosed pin mechanism with “twin cam” action that will quickly make this heavy duty, drop leg jack the industry standard.

182700  
Non  
Spring  
Return



### DROP LEG MECHANISM:

- The BULLDOG® Twin Cam™ Drop Leg mechanism allows an increase in the vertical static capacity by using two 3/4 in. pins to transfer forces between the drop leg and inner tube of the jack
- The unique Twin Cam™ drop leg mechanism actuates the drop leg pins in both directions, giving the operator full control over engagement and disengagement of the drop leg pins
- Patent pending
- The enclosed Twin Cam™ drop leg mechanism keeps dirt and debris from interfering with the engagement of the drop leg pins
- The Twin Cam™ drop leg mechanism maintains tighter alignment between the drop leg tube and inner tube by having engagement on both sides of the drop leg tube

### TWO-SPEED MODEL (also includes):

- Convenient cranking ratios allow for fast operation under a wide range of loading conditions. Drop leg provides quick adjustment
- High speed cranking ratio of 9 turns per in. is convenient for loads up to 12,500 lbs.
- Low speed ratio of 29.5 turns per inch allows lifting loads up to 25,000 lbs.

183750  
Spring  
Return



### FEATURES:

- Easy access grease fittings allow for lubrication of internal jack gears, screw and nut
- Patented screw stop prevents screw and/or nut damage when the jack is fully extended, keeping the screw in good condition for maximum screw/nut cycle life
- Patented assembly design makes the gears, jack screw/nut, and other internal components easily serviceable 12.5 in. of screw travel
- Drop Leg features 5 positions with 13.5 in. of adjustment
- 10 in. x 10 in. heavy gauge steel foot plate
- Heavy duty 1 in. diameter steel input shaft
- Spring return and non-spring return drop legs available
- 10 in. x 10 in. heavy gauge steel foot plate
- Heavy duty 1 in. diameter steel input shaft
- Spring return and non-spring return drop legs available

### OPTIONAL ACCESSORY:

- Compatible with BULLDOG® Powered Drive electric motor system (reduces lift capacity to 7,500 lbs.)

Configurations	Part Number	Static Capacity (lbs.)	Lift Capacity (lbs.)
1 Single-Speed Jack	182700 or 182701	25,000	12,500
Pair of Single-Speed Jacks in Tandem	(2) 182700 or (2) 182701	50,000	12,500
1 Two-Speed Jack	183749 or 183750	25,000	25,000
Two-Speed and Single-Speed Jack in Tandem	182700 and 183749 or 182701 and 183750	50,000	45,000

Part Number	Description	Handle Style	Screw Travel (in.)	Drop Leg Travel (in.)	A Retracted (in.)	B Extended (in.)	Packaging	Master Carton
182700	Twin Cam Drop Leg, Non Spring Return, Crank Sold Separately	Sidewind	12.50	13.50	27.50	53.50	Bulk	1
182701	Twin Cam Drop Leg, Spring Return, Crank Sold Separately	Sidewind	12.50	13.50	28.50	54.50	Bulk	1
183749	Twin Cam Drop Leg, Non Spring Return, Crank Sold Separately	Sidewind Two-Speed	12.50	13.50	28.50	54.50	Bulk	1
183750	Twin Cam Drop Leg, Spring Return, Crank Sold Separately	Sidewind Two-Speed	12.50	13.50	29.50	55.50	Bulk	1

TWO-SPEED JACKS

2-SPEED SQUARE JACKS

The first 2-speed gearbox designed with a drop leg jack in mind. The BULLDOG® 2-speed 12,000 lbs. support capacity square jack makes cranking easier when fully loaded and faster when unloaded. In low gear, the ratio delivers full lifting power at a super-smooth, easy-lifting 27 turns per 1 in. (planetary) and 29 turns per 1 in. (traditional) of travel. In high gear, the cranking ratio is a speedy 9 turns per 1 in. of travel, the fastest in its weight class.

- State of the art 2-speed gearbox with power and speed for the most effective and efficient jack at all loads
- Designed for today's standard agricultural, construction and industrial trailer applications.
- User friendly design makes operation smooth and easy
- Engineered alloys for enhanced strength, stability and side load capability
- Planetary gearbox fits within the width profile of the jack's outer tube, eliminating the need for spacers
- Painted outer tube, inner tube, and drop leg
- Crank sold separately
- Drop leg with standard disc foot offers 13.50 in. of additional adjustment



THE CHOICE WHEN APPLICATION REQUIRES COMPLIANCE WITH ASABE S485 STANDARDS



12K

Part Number	Model Number	Support Capacity (lbs.)	Lift Capacity (lbs.)	Gearbox Style	Travel (in.)	A Retracted (in.)	B Extended (in.)	Pin Location	Companion	Packaging	Master Carton
<b>Non-Spring Return</b>											
183401	SWQ 183 DL-BX	12,000	10,000	Planetary	12.50	28.50	54.60	Side	182411	Bulk	1
183416	SWQ 183 DL-BX	12,000	10,000	Planetary	12.50	29.50	55.60	Front	182415	Bulk	1
183901	SWQ 180 DL-BX T	12,000	10,000	Traditional	12.50	29.50	55.60	Front	182415	Bulk	1
<b>Spring Return</b>											
183816	SWQ 183 DL-BX w/SR	12,000	10,000	Planetary	12.50	29.50	55.60	Front	182815	Bulk	1
183902	SWQ 180 DL-B w/SR T	12,000	10,000	Traditional	12.50	28.50	54.60	Side	182805	Bulk	1
183903	SWQ 180 DL-BX w/SR T	12,000	10,000	Traditional	12.50	29.50	55.60	Front	182815	Bulk	1
<b>Replacement Parts</b>											
500285	Planetary 2-Speed Sun Gear Kit									Poly Bag	25
500295	Traditional 2-Speed Gear Kit									Display Bag	10
500330	Planetary Gearbox Kit									Boxed	10





500153

### HEAVY DUTY 2-SPEED TANDEM LANDING GEAR

- AAR and TTMA rated (all values per pair):
  - 45,000 lbs. lifting capacity @ 100 ft. lbs. torque
  - 90,000 lbs. static capacity
- Competitive cranking ratios:
  - Low speed gear 27.3 turns per in.
  - High speed gear 4.5 turns per in.
- High efficiency, double lead screw
- Heavy duty, self-leveling sand shoe
- Cross shaft sold separately
- Black painted finish
- Standard TTMA mount, mounted to inside of frame (bolt-on model)
- Heavy duty ban for added strength
- Ideal for horse, livestock and heavy duty trailers



THE CHOICE WHEN APPLICATION REQUIRES COMPLIANCE WITH ASABE S485 STANDARDS

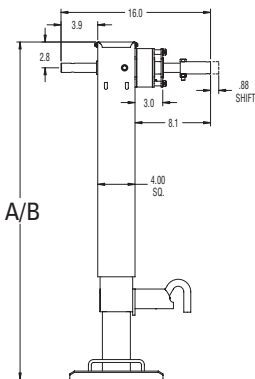


# 90K

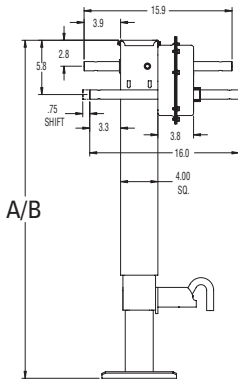
Part Number	Description	Tandem Capacity (lbs.)	Lift Capacity (lbs.)	Travel (in.)	A Retracted (in.)	B Extended (in.)	Packaging	Master Carton
500153	Tandem Non-Drop Leg Landing Gear - Set includes: Direct Weld 2-Speed and Single Speed Jacks and Crank, Cross Shaft Not Included	90,000	45,000	17.00	31.70	48.70	Bulk	1
1823050383	Single Speed Jack, Direct Weld, Crank Sold Separately	90,000	45,000	17.00	31.70	48.70	Bulk	1
Accessories								
8001090283	Crank, Mounting Hardware Included						Bulk	20
CS730300	72.75 in. Cross Shaft, Slotted Ends, Hardware Included						Boxed	25
500293	Tandem Landing Gear Jack 90K Gear Assembly, Includes: (1) Screw and Nut Assembly, (2) Retaining Pins, (1) Washer, (1) Bearing Bushing and (1) Thrust Bearing						Bulk	10
500294	Tandem Landing Gear Jack 90K Gear Assembly, Includes: (1) Grooved Pin, (1) Spring, (1) Chrome Steel Ball, (1) Spur Gear 32T, (1) Intermediate Spur Gear 32T/13T, (1) Input Spur Gear 32T/13T, (1) Woodruff Key and (1) 2-Speed Gearbox Gasket						Display Bag	1

Travel and Clearance Diagram  
 A= Retracted B= Extended C= Clearance Height

Non-Spring Return



Spring Return



### FARM JACKS

- Long handle for ease of use
- Removable handle and clamp
- Up to 8,000 lbs. capacity

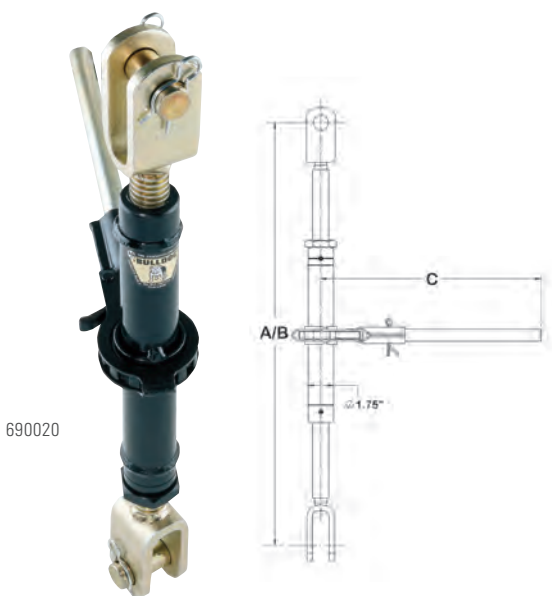


Part Number	Description	Capacity (lbs.)	Height (in.)	Travel (in.)	Finish	Packaging	Master Carton
7060900	Farm Jack with Handle Holder	8,000	54.00	48.00	Red/Black	Litho Box	1
7033400	Farm Jack	7,000	48.00	42.00	Red/Black	Litho Box	1
7064200	Farm Jack	7,000	36.00	30.00	Red/Black	Litho Box	3
Accessories							
7071300	ATV/UTV Universal Jack Mount Kit					Litho Box	1
7086500	Farm Jack Truck Box Mount Kit, Horizontal or Vertical Mount					Litho Box	4
7048400	Farm Jack Foot Plate, 10 in. x 10 in., 8,000 lbs. Capacity					Litho Box	2
7061520	Farm Jack Handle Holder, Durable PVC, Eliminates Rattle					Litho Box	3
7088900	Farm Jack Carry Handle					Litho Box	3
7064120	Farm Jack Maintenance Kit, Includes (2) Climbing Pins, (2) Climbing Pin Springs, (2) Cross Pins and (1) Handle Pin and Clip					Litho Box	6

### RATCHET JACKS

BULLDOG® ratchet jacks are versatile tools for load bearing and lifting, height adjustment, three point hitch elevation, implement leveling, and wheel extension and retraction.

- 3/8 in. U-brackets tested to the endurance limit by a major OEM
- Stainless steel flat ratchet spring tested to 20 times the competition's life
- Reinforced steel assembly housing with user-friendly pawl
- Corrosion-resistant surfaces
- 2 zerk fittings, hexagonal jam nut
- Yellow zinc dichromate-plated 12 in. handle and cotter pin
- 1-1/8 in. - 5 yellow zinc dichromate-plated Acme screws
- U-bracket clevis ends with 1 in. holes
- Pins and clips included



Travel and Clearance Diagram

A= Retracted B= Extended C= Clearance Height

Part Number	Description	Pull Capacity (lbs.)	Push Capacity (lbs.)	A Retracted (in.)	B Extended (in.)	C Clearance (in.)	Packaging	Master Carton
690020	Ratchet Mechanism Centered	16,000	10,000	20.00	28.00	15.10	Bulk	1
690071	Ratchet Mechanism Offset 3 in. to Right Side	16,000	10,000	20.00	28.00	15.10	Bulk	1

## PRO SERIES JACKS

RV20000103



1401030303

1400400303

## PRO SERIES™ ROUND JACKS

- Pro Series™ jacks are widely regarded as "Best in Class" for light to medium duty recreational and utility trailer applications
- Time tested and application proven
- Satisfies the demand for both performance and style
- Strong proprietary bushing materials
- Dependable design
- Bolt-on versions include all necessary mounting hardware
- Weld-on versions include mating mount and retaining ring
- A-frame models are designed for use with A-frame couplers and have black painted outer and inner tubes
- Retaining ring swivel and tubular swivel models have black painted outer tubes and zinc plated inner tubes
- Up to 5,000 lbs. lift capacity
- 1-year limited warranty

Part Number	Description	Lift Capacity (lbs.)	Handle Style	Travel (in.)	A Retracted (in.)	B Extended (in.)	C Clearance (in.)	Packaging	Master Carton
<b>A-Frame</b>									
RV20000103	Weld-On/Bolt-On Bracket	2,000	Sidewind	14.00	9.00	23.00	13.00	Litho Box	1
RV20000303	Weld-On/Bolt-On Bracket	2,000	Sidewind	14.00	9.00	23.00	13.00	Bulk	1
EA20000103	Weld-On/Bolt-On Bracket	2,000	Topwind	14.00	8.00	22.00	11.00	Litho Box	1
EA20000303	Weld-On/Bolt-On Bracket	2,000	Topwind	14.00	8.00	22.00	11.00	Bulk	1
EA20000340	Weld-On/Bolt-On Bracket, Clear Zinc Outer and Inner Tube	2,000	Topwind	14.00	8.00	22.00	11.00	Bulk	1
1401000303	Weld-On/Bolt-On Bracket	2,000	Topwind	15.00	5.50	20.50	16.00	Bulk	1
1400600303	Weld-On/Bolt-On Bracket	5,000	Topwind	15.00	10.80	25.80	14.55	Bulk	1
<b>Retaining Ring Swivel</b>									
1400300303	Bolt-On, Includes Mounting Hardware and Footplate	2,000	Topwind	10.00	11.00	21.00	4.00	Litho Box	1
1401140303	Weld-On, Includes Mating Mount and Footplate	2,000	Topwind	10.00	11.00	21.00	4.00	Bulk	1
1401040303	Weld-On, Includes Mating Mount and Footplate, Gray Painted Outer Tube and Zinc Plated Inner Tube	2,000	Topwind	15.00	14.50	29.50	10.00	Bulk	1
1401020303	Weld-On, Includes Mating Mount and Footplate	2,000	Sidewind	10.00	10.40	20.40	6.29	Bulk	1
1401030303	Weld-On, Includes Mating Mount and Footplate	2,000	Sidewind	15.00	14.40	29.40	12.25	Bulk	1
<b>Tubular Swivel</b>									
1401060303	Weld-On, Includes Mating Mount and Footplate	2,000	Sidewind	10.00	11.20	21.20	5.45	Bulk	1
1401080303	Weld-On, Includes Mating Mount and Footplate, Gray Painted Outer Tube and Zinc Plated Inner Tube	2,000	Sidewind	15.00	14.40	29.40	12.25	Bulk	1
1400400303	Weld-On, Includes Mating Mount and Footplate, Black Painted Outer and Inner Tube	2,000	Topwind	10.00	11.00	21.00	4.00	Bulk	1
1401200303	Weld-On, Includes Mating Mount and Footplate	2,000	Topwind	15.00	14.50	29.50	10.00	Bulk	1
1401420303	Weld-On, Includes Mating Mount and Footplate	5,000	Sidewind	10.00	10.50	20.50	6.25	Bulk	1
1401440303	Weld-On, Includes Mating Mount and Footplate	5,000	Sidewind	15.00	15.50	30.50	6.25	Bulk	1
1401460303	Weld-On, Includes Mating Mount and Footplate	5,000	Topwind	10.00	11.20	21.20	4.00	Bulk	1
1401480303	Weld-On, Includes Mating Mount and Footplate	5,000	Topwind	15.00	14.70	29.70	10.00	Bulk	1



### PRO SERIES™ SQUARE JACKS

- Pro Series™ jacks are widely regarded as "Best in Class" for light to medium duty recreational and utility trailer applications
- Square jack dramatically improves side load strength
- Direct weld to outer tube is standard
- Time tested and application proven
- Satisfies the demand for both performance and style
- Strong proprietary bushing materials
- Dependable design
- Drop leg and fixed leg models available
- Most models have black painted outer tubes and zinc plated inner tubes
- Up to 12,000 lbs. lift capacity
- 1-year limited warranty

Part Number	Description	Lift Capacity (lbs.)	Handle Style	Travel (in.)	A Retracted (in.)	B Extended (in.)	C Clearance (in.)	Packaging	Master Carton
<b>Tubular Swivel</b>									
1400860383	Weld-On, Fixed Leg, Includes Mating Mount and Footplate	8,000	Sidewind	10.00	17.10	27.10	7.30	Bulk	1
<b>Direct Weld</b>									
1401600383	Direct Weld, Drop Leg with Standard Disc Foot Offers 13.60 in. of Additional Adjustment	5,000	Sidewind	15.00	25.80	54.40	-	Bulk	1
1400800383	Direct Weld, Drop Leg with Standard Disc Foot Offers 13.60 in. of Additional Adjustment	8,000	Topwind	15.00	22.90	51.50	-	Bulk	1
1400850383	Direct Weld, Drop Leg with Standard Disc Foot Offers 13.60 in. of Additional Adjustment, Black Painted Outer and Inner Tubes	8,000	Sidewind	15.00	25.20	53.80	-	Bulk	1
<b>Spring Return</b>									
140094	Weld-On, Side Pin Location, Includes Crank Handle, Drop Leg with Heavy Duty Disc Foot Offers 13.50 in. of Additional Adjustment, Gray Painted Outer and Inner Tubes	12,000	Sidewind	12.50	27.25	53.25	-	Bulk	1
1400950376	Weld-On, Front Pin Location, Includes Crank Handle, Drop Leg with Heavy Duty Disc Foot Offers 13.50 in. of Additional Adjustment, Gray Painted Outer and Inner Tubes	12,000	Sidewind	12.50	28.25	54.25	-	Bulk	1
1400960376	Weld-On, Front Pin Location, No Crank, Drop Leg with Heavy Duty Disc Foot Offers 13.50 in. of Additional Adjustment, Black Painted Outer and Inner Tubes	12,000	No Crank	12.50	28.25	54.25	-	Bulk	1
<b>Non-Spring Return</b>									
1400980376	Weld-On, Front Pin Location, Includes Crank Handle, Drop Leg with Heavy Duty Disc Foot Offers 13.50 in. of Additional Adjustment, Gray Painted Outer and Inner Tubes	12,000	Sidewind	12.50	27.25	53.25	-	Bulk	1
1400990376	Weld-On, Front Pin Location, Includes Crank Handle, Drop Leg with Heavy Duty Disc Foot Offers 13.50 in. of Additional Adjustment, Gray Painted Outer and Inner Tubes	12,000	Sidewind	12.50	28.25	54.25	-	Bulk	1
1401010376	Weld-On, Side Pin Location, Includes Crank Handle, Drop Leg with Heavy Duty Disc Foot Offers 13.50 in. of Additional Adjustment, Gray Painted Outer and Inner Tubes	12,000	Sidewind	12.50	28.25	54.25	-	Bulk	1
<b>Replacement Parts</b>									
1400920383	Crank, Mounting Hardware and Clip, for 12,000 lbs. Capacity Square Jack, Black Painted Finish							Bulk	50



### A-FRAME GEAR JACK

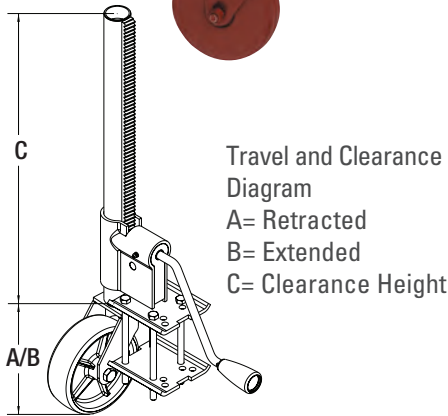
BULLDOG® experience and engineering know-how have produced a line of rack and gear jacks that are tough and trusted, the most preferred jacks used by trailer manufacturers in a variety of industries.

- 750 lbs. lift capacity
- Smooth-cranking 4 turns per in. of travel
- All-welded steel gear box with proven reliability for long term use at rated load
- Gray primer-painted steel wheel and gear box with weather-resistant clear zinc-plated rack post

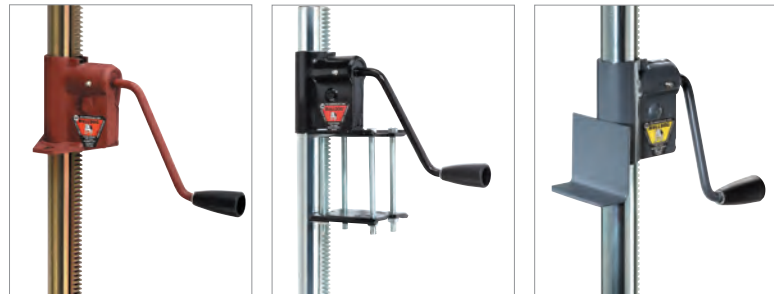
### HEAVY-DUTY GEAR JACK

These heavy-duty rack jacks exemplify the BULLDOG® reputation for strength, providing additional lift capacity. Specially designed and manufactured to BULLDOG® unparalleled standards, ideal for heavier trailers and greater tongue weights.

- 1,200 lbs. lift capacity
- Powerful heavy-duty gear box with special steel alloy helical gear for extra lift capacity
- Extra heavy-duty gauge post for maximum side load strength
- Specially designed gusseted caster bracket for increased stability
- Red oxide primer-painted steel wheel and gear box with weather-resistant yellow zinc-plated rack post



### MOUNTING OPTIONS

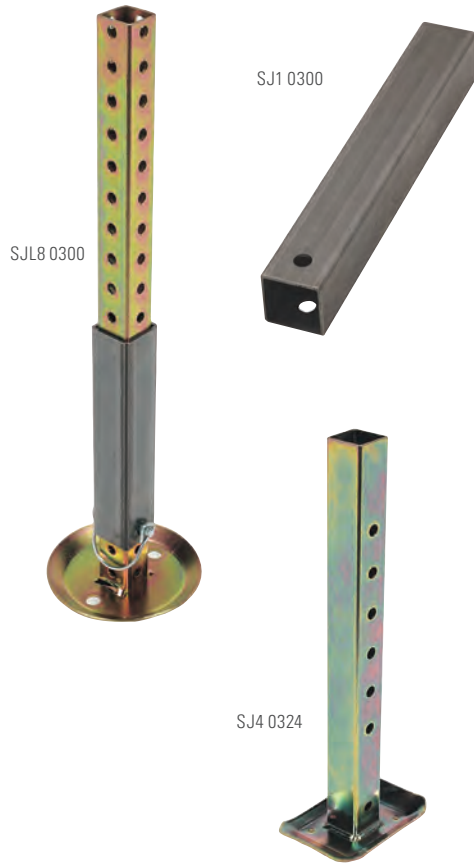


165 Series - A-Frame, Welds or Bolts to Top of A-Frame Coupler

169 Series - Bolt-On, Fits up to 3 in. x 5 in. Rectangular Tongue

161 Series - Weld-On L-Bend Bracket, Welds to Side and Bottom of Tongue

Part Number	Model Number	Description	Lift Capacity (lbs.)	Includes		Travel (in.)	A Retracted (in.)	B Extended (in.)	C Clearance (in.)	Packaging	Master Carton
				*Gear Box	*Rack Post						
165411	HD 165 W	A-Frame 165 Series, Heavy-Duty Weld-On/Bolt-On Bracket, with Heavy-Duty 21 in. Long 1,200 lbs. Rack and Post, with Steel Wheel	1,200	0191410310	0190600324	16.00	7.50	23.50	20.30	Bulk	1
169201	169 RB	Rectangular, 169 Series, Bolt-On, Fits up to 3 in. x 5 in. Tongue, with Mounting Kit and Polyolefin Wheel with Black Finish	750	0181910378	0183080301	16.00	7.50	23.50	20.30	Bulk	1
<b>Gear Boxes</b>											
0181550317	165 Gear Box, A-Frame, Weld-On/Bolt-On Bracket, Long Side Crank for 160 Series									Bulk	1
0191410310	165 Gear Box, A-Frame, Weld-On/Bolt-On Bracket, Heavy Duty Long Side Crank for 165 Series									Bulk	1
0181610317	161 Gear Box, Weld-On L-Bend Bracket, Tight 90 Degree Side Crank for 160 Series									Bulk	1
<b>Rack Posts</b>											
0180060301	21 in. Post, 18 in. Rack with Steel Wheel for 160 Series									Bulk	1
0185100301	23.5 in. Post, 18 in. Rack, No Wheel, No Foot for 160 Series									Bulk	1
0185200301	23.5 in. Post, 18 in. Rack with Disc Foot for 160 Series									Bulk	1



### STABILIZERS

Square tube stabilizers are fabricated from high strength, structural steel tubing, and are yellow zinc-plated for excellent corrosion-resistance. Common applications include cargo trailers, industrial implements, and equipment outriggers.

Part Number	Description	Static Capacity (lbs.)	A Range (in.)	Overall Length (in.)	Packaging	Master Carton
<b>Stabilizer Kit</b>						
SJL8 0300	Assembly Drop Leg and 1-1/2 in. Outer Tube, Includes Pin	2,000	8.00 to 27.00	20.00 Leg 8.00 Outer	Bulk	1
<b>Stabilizer Tube and Drop Legs</b>						
SJ1 0300	2 in. Square Outer Tube, Oil Finish, Pin Not Included	3,000	-	13.00	Bulk	1
SJ2 0324	Square Drop Leg with Adjustment Holes, Pin Not Included	3,000	25.00 to 37.00	28.75	Bulk	1
SJ4 0324	Square Drop Leg with Adjustment Holes, Pin Not Included	3,000	18.00 to 28.00	20.00	Bulk	1
<b>Replacement Part</b>						
LP516 0201	Service Kit, Pin 5/16 in. Diameter x 1-3/4 in. Long Lynch	-	-	-	Bulk	25



### DROP LEGS

Part Number	Description	Packaging	Master Carton
DF35000324	For Square Jack, 1.71 in. Square Tube, Pin Included, 3,000 - 5,000 lbs. Rated	Boxed	1
500190	For Most 2,000 lbs. BULLDOG Round Jacks and BULLDOG Powered A-Frame Jacks, Pin Included, 5,000 lbs. Rated, Will Not Work with Pro Series Round Jacks and BULLDOG Round Jacks with Heavy Wall Inner Tubes	Boxed	1
500270	For Square Jack, 2.0 in. Square Tube, Pin Included, 8,000 lbs. Rated	Poly Bag	1
500329	Drop Leg and Pin	Bulk	100
500340	Replacement Part, Drop Leg Pull Pin Assembly, 7/8 in. x 2.25 in.	Bulk	50
500377	Drop Leg and Pin	Boxed	4



CE555 0101

### CASTERS

Part Number	Description	Packaging	Master Carton
CE555 0101	6 in. Caster with 2 in. Inside Diameter Fitting for 2 in. Jack Tube, 1,200 lbs. Rated	Boxed	34
CA5550301	Caster Adapter Plate	Bulk	50
500245	6 in. Caster with Pin 2 in. Inside Diameter Fitting for 2 in. Jack Tube, 1,200 lbs. Rated	Clamshell	5
500282	Steel Wheel Kit	Boxed	1



0185640301



F20000201

### FOOTPLATES

Part Number	Description	Packaging	Master Carton
0185640301	Removable Footplate with Pin. 2.1 in. Tall, Fits 2 in. Inner Tube, 2,000 - 5,000 lbs. Rated	Bulk	25
0181730324	Removable Footplate 6.2 in.	Bulk	1
018098	Removable Footplate with Pin. 6.2 in. Tall, Fits 2 in. Inner Tube, 2,000 - 5,000 lbs. Rated	Bulk	50
FP20000201	Foot with Hardware (Bolt Goes Trough 2 in. Jack Tube Holes), 2,000 lbs. Rated	Boxed	50
500244	Removable Footplate with Pin, Fits Jacks with 2 in. Inner Tube, (2.1 in. Tall)	Clamshell	6
F2000 0301	Footpad for 2,000 - 5,000 lbs. Jacks	Boxed	1
1400700340	Removable Footplate, 2.10 in. Tall, Fits 2 in. Inner Tube, Includes Pull Pin Assembly, Clear Zinc Finish, 5,000 lbs. Capacity	Bulk	20
1400750340	Removable 6 in. Caster, Includes Pull Pin Assembly, Clear Zinc Finish, 1,200 lbs. Capacity	Bulk	8



500103



500177



500178



500337

### PINS

Part Number	Description	Packaging	Master Carton
<b>Pins</b>			
500103	3/8 in. Plunger Pin Assembly, BULLDOG Only	Clamshell	50
500310	3/4 in. Pull Pin (4.75 in. Long) with Chain without Drive Screw - 7,000 lbs.	Display Bag	25
500341	7/8 in. Pin and Chain without Drive Screw	Display Bag	50
<b>Pin Kits</b>			
500177	3/4 in. Drop Leg Plunger Pin Kit, 180 Series	Clamshell	12
500178	1/2 in. Plunger Pin Assembly Kit, 150 Series, 160 Series and 170 Series	Clamshell	12
500231	5/8 in. Pull Pin 3.5 in. Long with Chain and Drive Screw. 5,000 lbs. - Sidewind Only, Sidewind 170 Series, Crown 2,000/3,000/5,000 lbs.	Clamshell	12
500232	5/8 in. Pull Pin, 4.25 in. Long with Chain and Cotter Pin, 190 Series, Crown 7,000 lbs.	Clamshell	16
500243	9/16 in. Pull Pin 3.5 in. Long with Chain and Drive Screw, 5,000 lbs. - Topwind Only, 150 Series and Topwind 170 Series	Clamshell	12
<b>Drop Leg Pins</b>			
500337	Drop Leg Pull Pin Assembly, 3/4 in. x 3 in.	Display Bag	25
500338	Drop Leg Pull Pin Assembly, 9/16 in. x 2.75 in.	Display Bag	25
500340	Drop Leg Pull Pin Assembly, 7/8 in. x 2.25 in.	Bulk	50
0252010201	5/16 in. Snapper Pin, with Chain	Bulk	25
<b>Lynch Pin Kit</b>			
500219	Lynch Pin Kit, 0.563 in. Diameter	Poly Bag	6

## MOUNTS



Part Number	Description	Packaging	Master Carton
<b>Tube Mounts</b>			
500239	Male, Weld-On, For 9/16 in. Pin, 5,000 lbs. - Topwind Only, 150 Series, Topwind 170 Series	Clamshell	8
0050240300	Female, Weld-On, For 5/8 in. Pin, 3 in. O.D. for 190 Series	Bulk	1
0152790300	Male, Weld-On, For 5/8 in. Pin, 2 in. O.D for 170 Series	Bulk	1
0031550300	Female, Weld-On, 3/4 in. Pin for 190 Series	Bulk	1
0050050300	Male, Weld-On, 9/16 in. Pin	Poly Bag	1
0152710300	Female, Weld-On, 9/16 in. Pin, 2.5 in. O.D.	Poly Bag	1
0152730300	Male, Weld-On, 9/16 in. Pin for 150 Series and 170 Series	Poly Bag	1
7011800300	Male, Weld-On, 3/4 in. Pin for 190 Series	Bulk	10
005122	Female, Weld-On, 7/8 in. Pin for #182524 and #182374	Bulk	1
PQM19-00	Male, Weld-On, 5/8 in. Pin, 2.5 in. O.D.	Boxed	25
<b>Retaining Ring Mounting Brackets</b>			
P9222-00	Weld-On, Swivel Bracket, 1/2 in. Pin - 2,000 - 5,000 lbs. Rated	Bulk	50
P20520-00	Weld-On, Flat, Retaining Ring Swivel Plate for 3/8 in. Plunger Pin	Bulk	50
<b>Swivel Trailer Mounts</b>			
500339	Round Tube Male Weld-On U-Bracket for 5/8 in. Pull Pin	Poly Bag	50
500315	Weld-On, Swivel Trailer Mount, 5/8 in. Pin for 150 Series, 170 Series and 190 Series	Bulk	25

## CRANK KNOBS



Part Number	Description	Packaging	Master Carton
500248	Sidewind Black Knob, for 150 Series, 170 Series and 190 Series	Clamshell	12
500246	Topwind Red Knob, 150 Series, 170 Series and 190 Series	Clamshell	8





500701†

500704†

**LAST CHANCE**

**4K JACK WITH POWERED DRIVE**

Part Number	Description	Substitute Part Number	Packaging	Master Carton
500701†	Black Cover, Includes Drop Leg, 4,000 lbs. Capacity	500199	Litho Box	2
500702†	White Cover, Includes Drop Leg, 4,000 lbs. Capacity	500200	Litho Box	2

**LAST CHANCE**

**3.5K JACK WITH POWERED DRIVE**

Part Number	Description	Substitute Part Number	Packaging	Master Carton
500703†	Black Cover, Includes Drop Leg, 3,500 lbs. Capacity	500187	Litho Box	2
500704†	White Cover, Includes Drop Leg, 3,500 lbs. Capacity	500188	Litho Box	2



500161†

**LAST CHANCE**

**POWERED LANDING GEAR**

Part Number	Description	Substitute Part Number	Packaging	Master Carton
500161†	RV Landing Gear Assembly, (2 Motors and Switches), 10,000 lbs. Capacity	500708	Boxed	10



1823060383†

**LAST CHANCE**

**TANDEM LANDING GEAR**

Part Number	Description	Substitute Part Number	Packaging	Master Carton
500154†	Tandem Non-Drop Leg Landing Gear - Set includes: TTMA Bolt-On Mount 2-Speed and Single Speed Jacks and Crank, Cross Shaft not included, 90,000 lbs. Capacity	500153	Bulk	1
1839050383†	Heavy-Duty Tandem Landing Gear, Single Speed, Direct Weld Mount, 90,000 lbs. Tandem Capacity	500153	Bulk	1
1823060383†	Heavy-Duty Tandem Landing Gear, Single Speed, Bolt-On Mount, 90,000 lbs. Tandem Capacity	500153	Bulk	1
1839060383†	Heavy-Duty 2-Speed Jack, TTMA Bolt-On Mount, Crank Sold Separately, 90,000 lbs. Tandem Capacity	500153	Bulk	1



183900†

610322†

**LAST CHANCE**

**2-SPEED SQUARE JACK**

Part Number	Description	Substitute Part Number	Packaging	Master Carton
183900†	Heavy-Duty 2-Speed Square Jack, Painted Outer Tube, Inner Tube and Drop Leg, 12,000 lbs. Support Capacity	183901	Bulk	1

**LAST CHANCE**

**ROUND JACKS**

Part Number	Description	Substitute Part Number	Packaging	Master Carton
610322†	Tubular Swivel, Includes Footplate, 3,000 lbs. Lift Capacity	-	Litho Box	1

† = Available while supplies last

190789†



## LAST CHANCE SQUARE JACKS

Part Number	Description	Substitute Part Number	Packaging	Master Carton
1401500383†	Direct Weld Square Jack, Topwind, 5,000 lbs. Capacity	1401600383	Bulk	1
1401520383†	Weld-On, Tubular Swivel Square Jack, Topwind, 5,000 lbs. Capacity	1400860383	Bulk	1
1401610383†	Weld-On, Tubular Swivel Square Jack, Sidewind, 5,000 lbs. Capacity	1400860383	Bulk	1
1400830383†	Weld-On, Tubular Swivel Square Jack, Topwind, 8,000 lbs. Capacity	1400860383	Bulk	1
190789†	Tubular Swivel Square Jack with Fixed Leg, without Mating Mount, Sidewind, 8,000 lbs. Capacity, (Model SWL 190 FL-BQ)	190756	Bulk	1
1907040176†	Tubular Swivel Square Jack with Drop Leg, Sidewind, 8,000 lbs. Capacity, (Model SWL 190 DL-BQ)	190704	Bulk	1
195301†	Direct Weld Square Jack, Fixed Leg with Base, 5,000 lbs. Capacity	195351	Bulk	1
195319†	Direct Weld Square Jack, Fixed Leg with Caster Base, 5,000 lbs. Capacity	195368	Bulk	1

141320334†



## LAST CHANCE F2® TWIN TRACK JACK

Part Number	Description	Substitute Part Number	Packaging	Master Carton
141320334†	F2 Jack, Twin Track, Sidewind, 1,600 lbs. Capacity	1413020134	Bulk	-

0181620317†



## LAST CHANCE GEAR BOXES

Part Number	Description	Substitute Part Number	Packaging	Master Carton
0181910378†	169 Gear Box, Rectangular, Bolt-On Bracket for 169 Series	169201	Bulk	1
0181590317†	160 Gear Box, No Mounting Plate, 165 Series Crank	-	Bulk	1
0181620317†	162 Gear Box, Bolt-On L-Bend Bracket	-	Bulk	1
0181640317†	164 Gear Box, Stub Shaft, No Crank	-	Bulk	1
0181670317†	161S Gear Box, Weld-On L-Bend Retaining Ring Bracket Assembled for 160 Series	-	Bulk	1
0181710317†	160X Gear Box, No Bracket, Swivel Crank for 160 Series	-	Bulk	1
0181770317†	167 Gear Box, Weld-On Bracket for Round Tubing or Pipe, Long Side Crank for 160 Series	-	Bulk	1
0181890378†	169 Gear Box, Mounting Bracket Kit Included, Black	-	Bulk	1

165412†



## LAST CHANCE RACK/GEAR JACKS

Part Number	Description	Substitute Part Number	Packaging	Master Carton
165111†	A-Frame, Weld-On/Bolt-On Bracket with Disc Foot, 750 lbs. Capacity, (165 Series, Model 165 D)	165411	Bulk	1
165211†	A-Frame, Weld-On/Bolt-On Bracket, with Polyolefin Wheel, 750 lbs. Capacity, (165 Series, Model 165 R)	165411	Bulk	1
165311†	A-Frame, Weld-On/Bolt-On Bracket, with Steel Wheel, 750 lbs. Capacity, (165 Series, Model 165 W)	165411	Bulk	1
165412†	A-Frame, Heavy-Duty Weld-On/Bolt-On Bracket, with Heavy-Duty 21 in. Long 1,200 lbs. Rack and Post, with Steel Wheel, (165 Series, Model HD 165 WX)	165411	Bulk	1
162300†	L-Bend, Bolt-On with Steel Wheel, 750 lbs. Capacity, (162 Series, Model 162 W)	1623000117	Bulk	1
161300†	L-Bend, Weld-On with Steel Wheel, 750 lbs. Capacity, (161 Series, Model 162 W)	0180060301 0181610317	Bulk	1



0190600324†

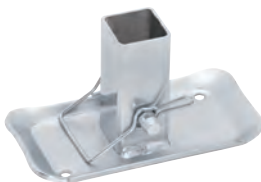


500148†



SJ3 0300†

SJW 0324†



F3500 0324†



017125†



SPAQ500300†

**LAST CHANCE** RACK POSTS

Part Number	Description	Substitute Part Number	Packaging	Master Carton
0180070301†	21 in. Post, 18 in. Rack with Poly Wheel for 160 Series	0180060301	Bulk	1
0190600324†	21 in. Post, 18 in. Rack, Heavy Duty, with Steel Wheel for 160 Series	0180060301	Bulk	1
0183080301†	21 in. Post, 18 in. Rack with Poly Wheel for 160 Series	0180060301	Bulk	1
0180340301†	34 in. Post, 30 in. Rack with Extra Long Steel Wheel for 160 Series	0180060301	Bulk	1
0185400301†	34 in. Post, 30 in. Rack, With Extra Long Disc Foot for 160 Series	0185200301	Bulk	1

**LAST CHANCE** TOPWIND CRANK

Part Number	Description	Substitute Part Number	Packaging	Master Carton
500148†	Topwind Crank, 9 in. Radius with Black "Tear Drop" Knob for 7,000 lbs. Jacks	-	Clamshell	6

**LAST CHANCE** STABILIZERS

Part Number	Description	Substitute Part Number	Packaging	Master Carton
SJW 0324†	Stabilizer, Yellow Zinc	SJ2 0324	Bulk	1
SJ3 0300†	1-1/2 in. Square Outer Tube, Sleeve	-	Bulk	1
SJ5 0324†	Square Drop Leg with Adjustment Holes, Pin Not Included	-	Bulk	1

**LAST CHANCE** REMOVEABLE FOOTPLATE

Part Number	Description	Substitute Part Number	Packaging	Master Carton
F3500 0324†	Removable Footplate with Pin, Fits Jacks with 2 in. Square Inner Tube, (4.0 in. Tall)	-	Boxed	25

**LAST CHANCE** STEEL CASTERS

Part Number	Description	Substitute Part Number	Packaging	Master Carton
018507†	Caster Assembly with 6 in. Steel Wheel for 155159 and 155300, 1,000 lbs. Rated	-	Bulk	1
017125†	Removable Steel Caster. Reduces Overall Jack Capacity to 1,000 lbs.	-	Bulk	1

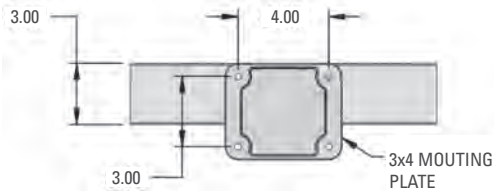
**LAST CHANCE** SUPPORT PLATES

Part Number	Description	Substitute Part Number	Packaging	Master Carton
SPAQ500300†	A-Frame Support Plate with 2.25 in. Square Hole	0031350300	Boxed	25
SPBQ500300†	Bottom Support Plate with 2.3 in. Square Hole	SPB50 0300	Bulk	25

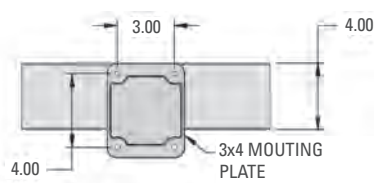
† = Available while supplies last

WELD-ON BRACKET MOUNTING POSITIONS FOR F2® JACKS

3x3 TUBE WITH 3x4 PLATE



3x4 TUBE WITH 3x4 PLATE

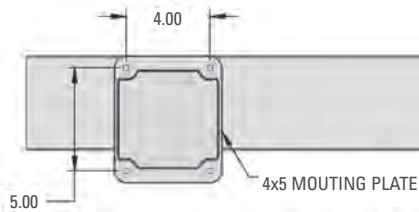


Part Number	Description
1413060334	F2 Twin Track Model 3 in.x 4 in. Pivot Housing. Includes Handle Hold-up Feature & Weld-on Mounting Bracket & Hardware
1413050334	F2 Wide Track Model 3 in.x 4 in. Pivot Housing. Includes Handle Hold-up Feature & Weld-on Mounting Bracket & Hardware
500277	Pivot Housing

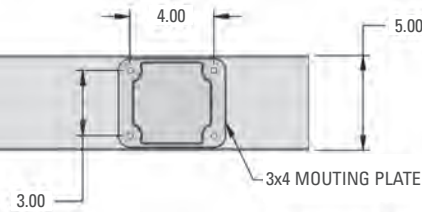
Part Number	Description
1413060334	F2 Twin Track Model 3 in.x 4 in. Pivot Housing. Includes Handle Hold-up Feature & Weld-on Mounting Bracket & Hardware
1413050334	F2 Wide Track Model 3 in.x 4 in. Pivot Housing. Includes Handle Hold-up Feature & Weld-on Mounting Bracket & Hardware
500277	Pivot Housing



3x5 TUBE WITH 4x5 PLATE



3x5 TUBE WITH 3x4 PLATE

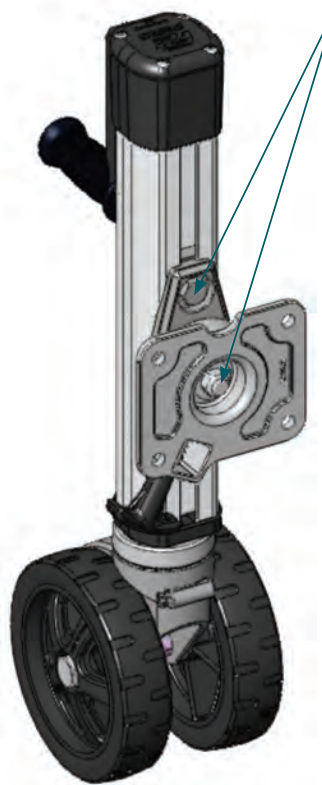


Part Number	Description
1413200334	Adjustable Swivel w/ Footplate Includes Handle Hold-up Feature & Weld-on Mounting Bracket & Hardware for up to 5 in. Frames
500276	Pivot Housing

Part Number	Description
1413060334	F2 Twin Track Model 3 in.x 4 in. Pivot Housing. Includes Handle Hold-up Feature & Weld-on Mounting Bracket & Hardware
1413050334	F2 Wide Track Model 3 in.x 4 in. Pivot Housing. Includes Handle Hold-up Feature & Weld-on Mounting Bracket & Hardware
500277	Pivot Housing



## ADJUSTING THE SWIVEL MOUNT HEIGHT FOR F2® JACKS



### ADJUSTING SWIVEL MOUNT HEIGHT (If Necessary):

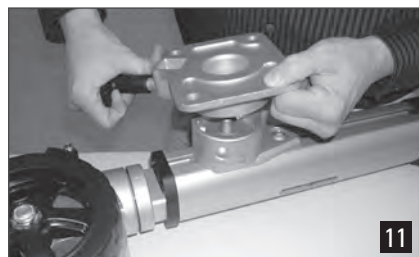
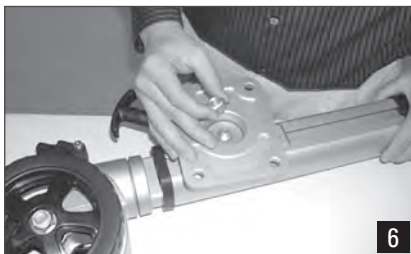
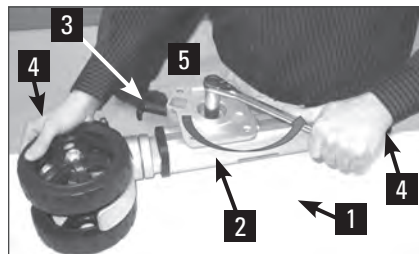
With jack removed from trailer, loosen the two swivel fasteners until the slide block moves freely along outer tube. To access the upper bolt be sure the swivel bracket is rotated in the horizontal (3 in. mounting) position as shown. Adjust swivel mount to desired location and re-torque to 60-70 ft-lbs. After adjustment, check for proper swivel and pin engagement.

### Loosening factory torqued nuts and bolts on your swivel mount:

1. Cover your work area with a piece of cardboard or a towel to protect the finish on your jack.
2. Position the jack firmly on a bench at waist level.
3. Turn mounting bracket so that the pull pin is toward the caster(s).
4. Brace the gearbox against your hip and firmly grip the caster.
5. Loosen the half inch nut inside the swivel mount by pulling toward your body.
6. Remove the nut from the back of the swivel mount.
7. Pull the pull pin and remove the swivel mount.
8. Loosen the standard hex bolt with the 5/16 hex wrench.
9. Adjust the mount height.
10. Re-torque the nut on the slide block to 60 ft-lbs.

### Final Steps:

11. Replace the swivel mount making sure that the washer is still in place.
12. Replace the nut on the back of the swivel mount.
13. Re-torque the nut on the back of the swivel mount to 60 ft-lbs.
14. You are now ready to enjoy your Fulton F2 Jack.



Required Tools:  
3/4 Socket, Ratchet Wrench, Torque wrench.



# JACK REPLACEMENT QUICK-REFERENCE GUIDE

This quick-reference guide is not intended to supplement your original jack instruction sheet. It is only intended to help identify your jack for purposes of service and part replacement.

While servicing your jack, make sure it is not under load.

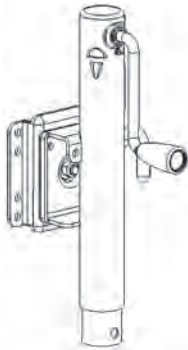
Replacement parts are intended for worn jack parts. If your jack has been damaged, replace it to prevent unsafe conditions.

## Help us help you!

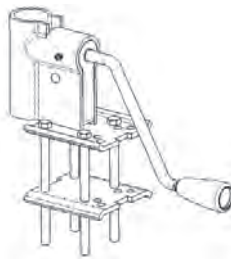
To ensure you receive the most accurate, prompt service possible, collect as much of the following information as possible before calling. If more than one item in a group seems to fit you jack, note all that apply and what about your jack that makes it fit that category. Some helpful pictures are shown below.



- TOPWIND
- EAGLE CLAW KNOB
- 1/2 IN. PLUNGER PIN
- SNAP-RING MOUNT
- FIXED REGULAR FOOT



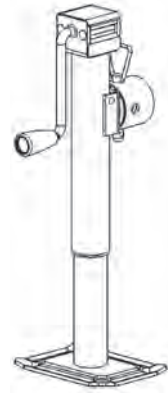
- SIDEWIND
- TEARDROP KNOB
- 1/2 IN. PLUNGER PIN
- BOLT-THRU 1 MOUNT
- NO FOOT



- SIDEWIND
- TEARDROP KNOB
- RACK JACK
- BOLT-ON MOUNT
- NO FOOT



- TOPWIND
- EAGLE CLAW KNOB
- NO PLUNGER PIN
- A-PLATE MOUNT
- REMOVABLE WHEEL



- SIDEWIND
- TEARDROP KNOB
- NO PLUNGER PIN
- TUBER MOUNT
- FIXED FOOT

## • JACK SERIES AND CAPACITY (available on product label or in stamped marking)



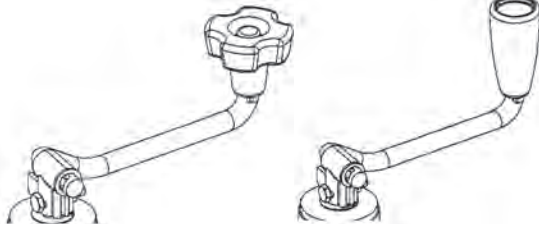
STAMPED MARKING SHOULD APPEAR ON YOKE

LABEL WOULD APPEAR NEAR HANDLE



• **HANDLE STYLE** (available by inspection)

**TOPWIND HANDLES**



EAGLE CLAW KNOB

TEARDROP KNOB

**SIDEWIND HANDLES**

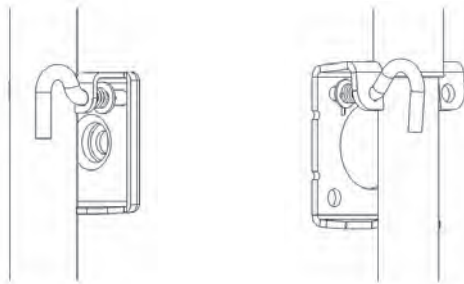


RACK JACK

COMFORT GRIP KNOB

TEARDROP KNOB

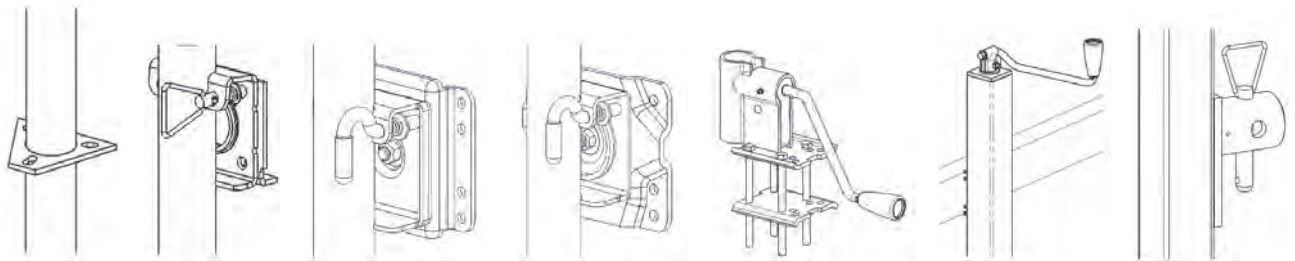
• **PLUNGER PIN SIZE** (available by inspection, not a feature on all jacks)



1/2 IN. PIN  
(RIGHT SIDE)

3/8 IN. PIN  
(LEFT SIDE)

• **MOUNT TYPE** (available by inspection. Note if your mount is welded or bolted to your trailer tongue)



A-PLATE

SNAP-RING

BOLT-THRU 1

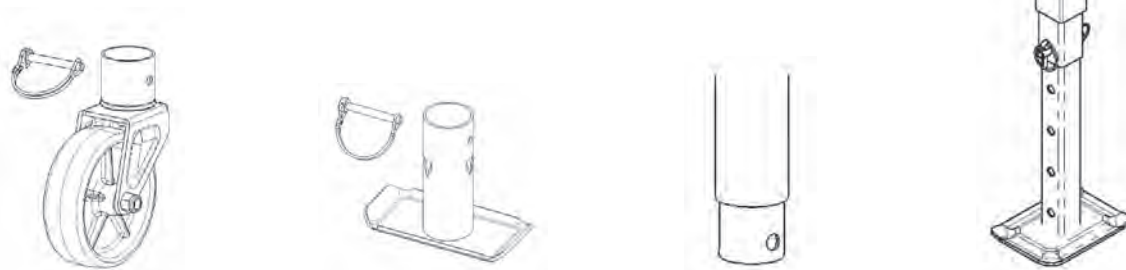
BOLT-THRU 2

BOLT-ON

DIRECT MOUNT

TUBE MOUNT

• **FOOT/WHEEL TYPE** (available by inspection)



REMOVABLE WHEEL  
(Wheels may also be fixed to the jack)

REMOVABLE FOOT  
(Feet may also be fixed to the jack)

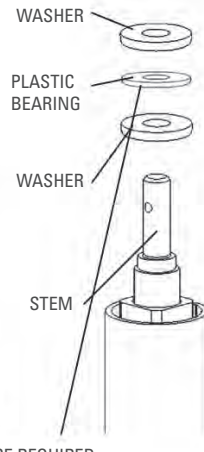
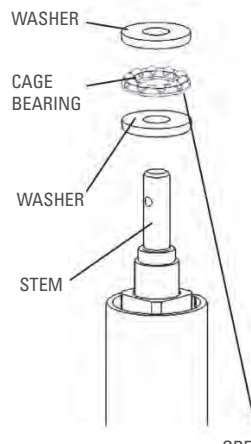
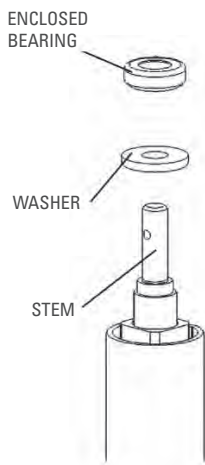
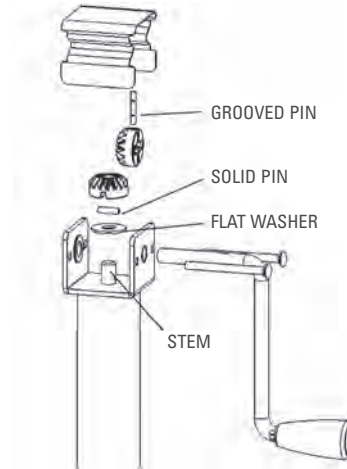
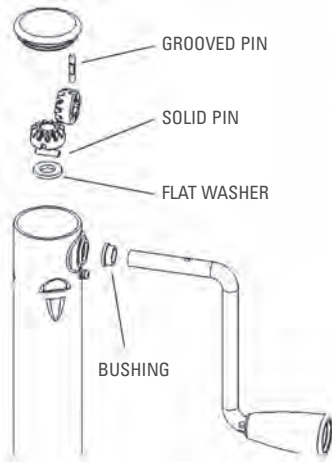
NO FOOT

DROP LEG

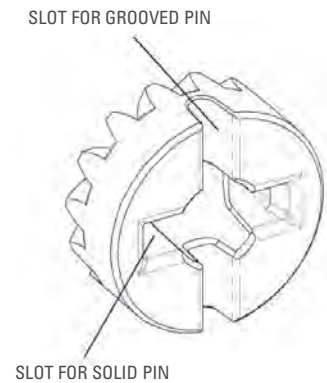
# JACK ASSEMBLY QUICK-REFERENCE GUIDE

## SIDEWIND ASSEMBLY:

1. Carefully remove all parts from the gearbox. The grooved pin is very secure in place and you may need to rotate the jack handle to reveal and remove it.
2. Place the flat washer over stem at the bottom of the gearbox.
3. Place the solid pin through the hole in the stem and place the gear over the solid pin so that the solid pin rests in the slot on the gear that does NOT go across the entire gear. The lower gear should be the larger of the two gears if the gears are a different size.
4. If you have an internal gearbox, install the bushing from inside the jack tube.
5. Insert the handle through the bushing and the second gear. Be sure the gear teeth are fully engaged and the handle is sticking out the far side of the jack after this step.
6. The grooved pin must now be inserted through the second gear and the handle. It may be necessary to rotate the handle 1/4 turn to expose the hole in the handle. The groove pin will fit very tightly and should be installed carefully to avoid damage to the jack body. Make sure the pin is entered in the handle to ensure smooth cranking.
7. Re-install the cap with even pressure, or with the bolts and nuts as it was removed.
8. Be sure the jack is assembled properly and functions as new before using it to support a load.



GREASE REQUIRED





**BOLT-THRU ASSEMBLY:**

1. Place the jack bracket into the recesses opening of the mount.
2. Place the small end of the bushing into the jack bracket and onto the bolt.
3. Tighten until there is no movement in the bushing.

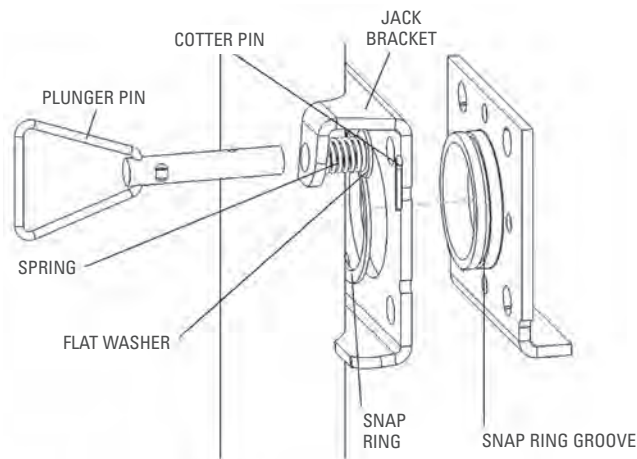
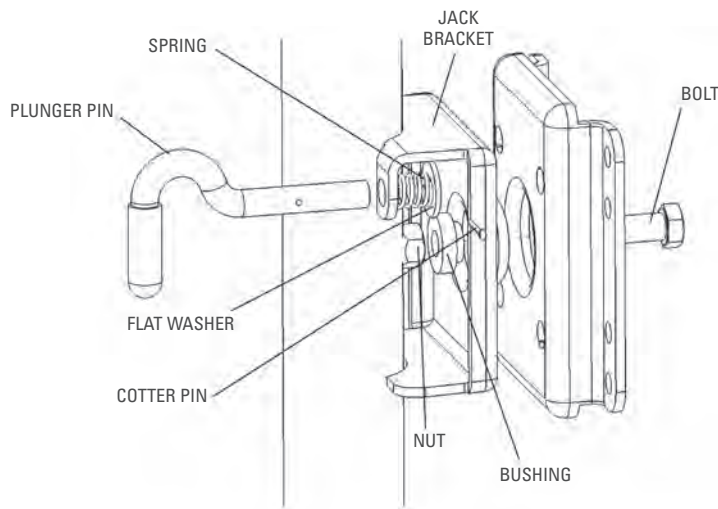


**SNAP RING ASSEMBLY:**

1. Place the jack bracket over the mount so that the snap ring groove is reachable on the inside of the jack bracket.
2. Insert the snap ring into the groove. Be sure the snap ring is fully seated in the groove.

**PLUNGER PIN ASSEMBLY:**

1. Select the appropriate hole for the plunger pin. When viewing the jack from the crank side, 3/8 in. pins fit into the left hole, 1/2 in. plunger pins fit into the right hole.
2. Check that the mating bracket has the correct size holes.
3. Start the plunger pin through the jack bracket and place the spring and washer on the plunger pin before fully inserting the plunger pin through the jack bracket.
4. The spring and washer must be compressed to allow the cotter pin to be properly inserted into the plunger pin.
5. Be sure the jack assembled properly and functions as new before bending the cotter pin to secure the plunger pin assembly and before using it to support a load.





# TRAILER COUPLERS

**BULLDOG® Collar Lok™** forged head couplers are the strongest in the industry and designed for the most rigorous and abusive application and user, "Tough and Trusted" since 1908. The design features of the **BULLDOG® Collar Lok™** coupler make it the only automatic and continuous tight ball fit in the industry and the distinctive and patented Collar Lok™ appearance. The hinged ball socket design for easier alignment and hook-up, plus a clear visual indication of proper closure.

Equally impressive is the **BULLDOG®** patented **Wedge-Latch®** cast coupler, which is offered in the heavy-duty A-frame design and in the adjustable coupler design. The adjustable coupler products can be adjusted up and down the channel to align best with the height of your tow vehicle. A level load helps the performance of both your tow vehicle and your trailer, making the most of your towing experience.

*NOTE: Failure to close coupler securely before towing or failure to use with specified ball size may result in serious injury or death.*

**GOOSENECK COUPLERS**

- BX1® Gooseneck Couplers . . . . . K-3 - K-4
- Round Gooseneck Couplers . . . . . K-5
- Square Gooseneck Couplers . . . . . K-6
- King Pin Gooseneck Couplers . . . . . K-7

**HEAVY DUTY TRAILER COUPLERS**

- Wedge-Latch™ Cast Couplers . . . . . K-8
- Collar-Lok™ Round . . . . . K-9
- Collar-Lok™ Square . . . . . K-9
- Collar-Lok™ Adjustable . . . . . K-10
- Collar-Lok™ A-Frame . . . . . K-10

**STAMPED COUPLERS**

- A-Frame Stamped . . . . . K-12
- Handwheel Stamped . . . . . K-12
- Yoke Stamped . . . . . K-12
- Fas-Lok® Straight Tongue Stamped . . . . . K-10
- Adjustable Height Stamped . . . . . K-12

**LUNETTE RINGS . . . . . K-7**

**FOLD-AWAY™ HINGE KITS . . . . . K-11**

# FEATURED

TRAILER COUPLERS

## BX1® GOOSENECK COUPLERS

The BULLDOG® BX1® coupler is the result of generations of design expertise and field experience. Incorporates innovative features that revolutionize the benefits available from a gooseneck coupler.

- Offers flexible mounting options with Next Generation locking plate coupler locking mechanism
- Easy hooking up, adjusting vertical height, and disconnecting
- Maintains smooth operation over time with grease fittings for every important operating part
- Continuous tight ball fit - ever-increasing cam tightening mechanism
- Protects against wear with enclosed locking pin mechanism
- Integrated feature to allow pad-locking the coupler to the ball (lock not included)
- Guides ball into socket more easily letting you miss by more than an inch with bottom locking plate 50% larger than competitors
- Lengthens life of locking mechanism with oil-impregnated bushings
- Fits ball better and reduces jarring through contour-formed edge on bottom locking plate
- Innovations that improve security, service life, and functionality
- New ball pocket design provides contact on both sides of the ball for substantially improved pull out strength - the only sliding-plate design that transfers part of the load to the top locking plate rather than only the bottom locking plate
- In compliance with SAE standard J2638 (outer tube must be installed and reinforced by the trailer manufacturer)
- See pages K-3 and K-4 for additional information



Allows shorter retracted length and less wasted length for trucks with high bed height via low-profile locking mechanism



Square

Round

## ADJUSTABLE CHANNEL MOUNT COUPLERS

- BULLDOG® couplers offer a wide variety of design, strength and function for all your adjustable coupler applications
- Channels sold separately



Collar Lok™  
See page K-9



Rigid Mount  
See page K-9



Cast Head  
See page K-8



Stamped  
See page K-12



**BX1® ROUND GOOSENECK COUPLERS**

The BULLDOG® BX1® coupler is the result of generations of design expertise and field experience. Incorporates innovative features that revolutionize the benefits available from a gooseneck coupler.



1289030300

1289070300

Patents Pending

- **Allows shorter retracted length and less wasted length for trucks with high bed height via low-profile locking mechanism**
- Offers flexible mounting options with Next Generation locking plate coupler locking mechanism
- Easy hooking up, adjusting vertical height, and disconnecting
- Maintains smooth operation over time with grease fittings for every important operating part
- Continuous tight ball fit - ever-increasing cam tightening mechanism
- Protects against wear with enclosed locking pin mechanism
- Integrated feature to allow pad-locking the coupler to the ball (lock not included)
- Guides ball into socket more easily letting you miss by more than an inch with bottom locking plate 50% larger than competitors
- Lengthens life of locking mechanism with oil-impregnated bushings
- Fits ball better and reduces jarring through contour-formed edge on bottom locking plate
- Innovations that improve security, service life, and functionality
- New ball pocket design provides contact on both sides of the ball for substantially improved pull out strength - the only sliding-plate design that transfers part of the load to the top locking plate rather than only the bottom locking plate
- In compliance with SAE standard J2638 (outer tube must be installed and reinforced by the trailer manufacturer)



Part Number	Description	Capacity (lbs.)	Retracted Height (in.)	Extended Height (in.)	Adjustment (in.)	Ball Size (in.)	Packaging	Master Carton
1289030300	BX1 Coupler, 4.5 in. Diameter x 20 in. Length Outer Tube, 4 in. Diameter x 27.2 in. Inner Tube, with BX1 Cast Coupler Head, 3/4 in. Load Bearing Pin, (2) Set Bolts, Raw, Labels Applied	20,000	27.50	35.50	8.00	2-5/16	Bulk	1
1289000300	BX1 Adjustable Gooseneck Coupler, 4.5 in. Diameter x 20 in. Length Outer Tube, 4 in. Diameter x 27.2 in. Inner Tube, with BX1 Cast Coupler Head, 3/4 in. Load Bearing Pin, (2) Set Bolts, Raw, Labels Applied	25,000	27.50	35.50	8.00	2-5/16	Bulk	1
<b>Short Configuration</b>								
1289070300	BX1 Coupler, 4.5 in. Diameter x 20 in. Length Outer Tube, 4 in. Diameter x 22.2 in. Inner Tube, with BX1 Cast Coupler Head, 3/4 in. Load Bearing Pin, (2) Set Bolts, Raw, Labels Loose	20,000	22.60	30.60	8.00	2-5/16	Bulk	1
1289080300	BX1 Coupler, 4.5 in. Diameter x 20.0 in. Length Outer Tube, 4 in. Diameter x 22.2 in. Inner Tube, with BX1 Cast Coupler Head, 3/4 in. Load Bearing Pin, (2) Set Bolts, Raw, Labels Loose	25,000	22.60	30.60	8.00	2-5/16	Bulk	1
1289040300	BX1 Coupler, 4.5 in. Diameter x 20.0 in. Length Outer Tube, 4 in. Diameter x 22.2 in. Inner Tube, with BX1 Cast Coupler Head, 3/4 in. Load Bearing Pin, (2) Set Bolts, Raw, Labels Loose	30,000	22.60	30.60	8.00	2-5/16	Bulk	1
<b>Inner Tube Only</b>								
1289170300†	BX1 Coupler, 4 in. Diameter x 27.2 in. Inner Tube Only, with BX1 Cast Coupler Head, Raw, Labels Loose	20,000	-	-	-	2-5/16	Bulk	1
1289020300	BX1 Coupler, 4 in. Diameter x 27.2 in. Inner Tube Only, with BX1 Cast Coupler Head, Raw, Labels Loose	25,000	-	-	-	2-5/16	Bulk	1
1289050300	BX1 Coupler, Short Configuration, 4 in. Diameter x 22.2 in. Inner Tube Only, with BX1 Cast Coupler Head, Raw, Labels Loose	30,000	-	-	-	2-5/16	Bulk	1
<b>Replacement Parts</b>								
500289	BX1 Gooseneck Coupler Handle Replacement Kit for 20K, 25K and 30K						Bulk	8
500356†	BX1 Gooseneck Coupler 5/16 in. Locking Pin						Bulk	50
0233100300	BX1 Gooseneck Coupler Outer Tube, 4.5 in. Diameter x 20 in. Length, Hole for 3/4 in. Load Bearing Pin, (2) Set Bolts						Bulk	10



1289130300

1289200300

### BX1® SQUARE GOOSENECK COUPLERS

The BULLDOG® BX1® coupler is the result of generations of design expertise and field experience. Incorporates innovative features that revolutionize the benefits available from a gooseneck coupler.

- **Allows shorter retracted length and less wasted length for trucks with high bed height via low-profile locking mechanism**
- Offers flexible mounting options with Next Generation locking plate coupler locking mechanism
- Easy hooking up, adjusting vertical height, and disconnecting
- Maintains smooth operation over time with grease fittings for every important operating part
- Continuous tight ball fit - ever-increasing cam tightening mechanism
- Protects against wear with enclosed locking pin mechanism
- Integrated feature to allow pad-locking the coupler to the ball (lock not included)
- Guides ball into socket more easily letting you miss by more than an inch with bottom locking plate 50% larger than competitors
- Lengthens life of locking mechanism with oil-impregnated bushings
- Fits ball better and reduces jarring through contour-formed edge on bottom locking plate
- Innovations that improve security, service life, and functionality
- New ball pocket design provides contact on both sides of the ball for substantially improved pull out strength - the only sliding-plate design that transfers part of the load to the top locking plate rather than only the bottom locking plate
- In compliance with SAE standard J2638 (outer tube must be installed and reinforced by the trailer manufacturer)



Part Number	Description	Capacity (lbs.)	Retracted Height (in.)	Extended Height (in.)	Adjustment (in.)	Ball Size (in.)	Packaging	Master Carton
1289130300	BX1 Coupler, 4.5 in. x 20 in. Square Outer Tube, 4 in. x 30.75 in. Square Inner Tube, with BX1 Cast Coupler Head, 3/4 in. Load Bearing Bolt, (2) Set Bolts, Raw, Labels Applied	25,000	30.80	38.80	8.00	2-5/16	Bulk	1
1289140300	BX1 Coupler, 4.5 in. x 20 in. Square Outer Tube, 4 in. x 30.75 in. Square Inner Tube, with BX1 Cast Coupler Head, 3/4 in. Load Bearing Bolt, (2) Set Bolts, Raw, Labels Applied	30,000	30.80	38.80	8.00	2-5/16	Bulk	1
1289200300	BX1 Coupler, 4.5 in. x 20 in. Square Outer Tube, 4 in. x 18.4 in. Square Inner Tube, with BX1 Cast Coupler Head, 3/4 in. Load Bearing Bolt, (4) Set Bolts, (2) Belly Bands, Raw, Labels Applied	40,000	22.00	24.60	2.60	3	Bulk	1
<b>Short Configuration - Inner Tube Only</b>								
1289210300	BX1 Coupler, 4 in. x 22.75 in. Square Inner Tube Only, with BX1 Cast Coupler Head, Raw, Labels Loose	25,000	-	-	8.00	2-2/16	Bulk	1
<b>Accessories</b>								
0233120300	Square Outer Tube, Weld On, 20 in. Length, 4-1/2 in. Tube, with Hex Head Bolt Hole, Dual Set Bolts and Labels, 20.6 lbs.						Bulk	1
<b>Replacement Parts</b>								
500289	BX1 Gooseneck Coupler Handle Replacement Kit for 20K, 25K and 30K						Bulk	8
500353	BX1 Gooseneck Coupler Repair Kit, Includes Handle Assembly, Locking Cam, Grease Fitting, Grooved Pin, Flanged Bushing and Torsion Spring						Display Bag	8

Patents Pending

t = Available while supplies last



0289500300

0287600300

## ROUND GOOSENECK COUPLERS

BULLDOG® gooseneck couplers are quick and easy to engage and strong and secure on the road. Our unique, patented, extruded locking plate design and high-strength steel components make BULLDOG® gooseneck couplers 65% stronger than similar products.

- Easy-grip locking handle is accessible from any position, even while wearing a glove
- Self-centering locking plate lets you miss the ball by more than an inch
- Tight ball fit reduces jarring when changing speeds or on rough roads
- Heavy-duty construction provides unmatched strength
- User-friendly design is simple to use
- Quick to hook up and disconnect
- Easy vertical adjustment
- In compliance with SAE standard J2638



(outer tube must be installed and reinforced by the trailer manufacturer)

Part Number	Description	Capacity (lbs.)	Retracted Height (in.)	Adjustment (in.)	Ball Size (in.)	Packaging	Master Carton
<b>Round Gooseneck Fixed Coupler</b>							
0287690300	Fixed Base Coupler	20,000	33.00	-	2-5/16	Bulk	1
<b>Round Gooseneck Adjustable Coupler</b>							
0287600300	Adjustable Gooseneck Coupler, 4.5 in. Diameter x 20 in. Length Outer Tube, 4 in. Diameter x 27.2 in. Inner Tube, with Cast Locking Plates, 3/4 in. Load Bearing Pin, (1) Set bolt, Raw, Labels Applied	20,000	29.20	8.00	2-5/16	Bulk	1
0287620300	Adjustable Gooseneck Coupler, 4.5 in. Diameter x 20 in. Length Outer Tube, 4 in. Diameter x 27.2 in. Inner Tube, with Cast Locking Plates, 3/4 in. Load Bearing Pin, (1) Set bolt, Raw, Labels Applied, with Outer Tube Cap	20,000	29.30	8.00	2-5/16	Bulk	1
0287760300	Adjustable Gooseneck Coupler, 4.5 in. Diameter x 20 in. Length Outer Tube, 4 in. Diameter x 27.2 in. Inner Tube, with GN24 Coupler Head, 3/4 in. Load Bearing Pin, (1) Set bolt, Raw, Labels Applied	20,000	29.50	8.00	2-5/16	Bulk	1
0289340317	Adjustable Gooseneck Coupler, 4.5 in. Diameter x 20 in. Length Outer Tube, 4 in. Diameter x 27.2 in. Inner Tube, with GN24 Coupler Head, 3/4 in. Load Bearing Pin, (1) Set bolt, Primer Gray, Labels Applied	25,000	28.10	8.00	2-5/16	Bulk	1
0289250300	Adjustable Gooseneck Coupler, 4.5 in. Diameter x 20 in. Length Outer Tube, 4 in. Diameter x 27.2 in. Inner Tube, with Cast Locking Plates, 3/4 in. Load Bearing Pin, (1) Set bolt, Raw, Labels Applied	25,000	29.30	8.00	2-5/16	Bulk	1
0289500300	Adjustable Gooseneck Coupler, 4.5 in. Diameter x 20 in. Length Outer Tube, 4 in. Diameter x 27.2 in. Inner Tube, with Cast Locking Plates, 3/4 in. Load Bearing Pin, (2) Set bolts, Raw, Labels Applied	30,000	29.30	8.00	2-5/16	Bulk	1
<b>Inner Tube Only</b>							
0287610300	Adjustable Gooseneck Coupler, 4 in. Diameter x 27.2 in. Inner Tube Only, with Cast Locking Plates, Labels Applied	20,000	-	-	2-5/16	Bulk	1
0287650300	Adjustable Gooseneck Coupler, 4 in. Diameter x 27.2 in. Inner Tube Only, with GN24 Coupler Head, Labels Loose	20,000	-	-	2-5/16	Bulk	1
<b>Outer Tube Only</b>							
0233010300	Outer Tube Only, 20 in. Length, 4.5 in. Round Tube, with Hole for 3/4 in. Load Bearing Pin, (1) Set Bolt					Bulk	1
0233100300	Outer Tube Only, 20 in. Length, 4.5 in. Round Tube, with Hole for 3/4 in. Load Bearing Pin, (2) Set Bolts					Bulk	1
<b>Gooseneck Coupler Head</b>							
GN24 0200	Cast Steel Gooseneck Coupler Head, Fits 3 in. or 4 in. Diameter Tubing, Quick and Easy Latching Action Eliminates Need to be in Tow Vehicle for Hook-Up	24,000	-	-	2-5/16	Bulk	8
1542S01	Repair Kit for GN24 0200, Kit Includes Torsion Spring, Coupler Locking Shaft, Curved Handle Assembly, 3/4 in. Shaft Retaining Ring, Centerlock Nut 1/2-13					Clamshell	25
<b>Replacement Parts</b>							
0287740300	Gooseneck Coupler Kit, Includes Coupler Assembly, Locking Pin Assembly, Locking Pin Cover, BULLDOG Label, and Warning Label, 2-5/16 in. Ball Size					Poly Bag	1
0233060301	Pin Kit, Includes Cotter Pin, 3/4 in. x 5-1/2 in. with Finger Loop					Bulk	10
500296	Gooseneck Couplers Bolt Kit, Includes (1) Jam Nut, (1) Set Screw and (1) Adjusting Nut					Display Bag	10



028900



0289600300

### SQUARE GOOSENECK COUPLERS

You won't find a coupler that's faster or easier to use than the square gooseneck from BULLDOG®. Its user-friendly design makes hookup and release swift and secure.

- Easy-grip locking handle is accessible from any position
- Self-centering locking plate lets you miss the ball by more than an inch
- Tight ball fit reduces jarring when changing speeds or on rough roads
- Heavy-duty high-strength fabricated steel components are as strong as heavy cast iron but lighter and less brittle
- User-friendly design enables quick, easy hookup and release
- Locking handle cover protects working parts
- Cam locking pin affords easy vertical adjustment
- Pinch bolt design
- In compliance with SAE standard J2638 (outer tube must be installed and reinforced by the trailer manufacturer)



Part Number	Description	Capacity (lbs.)	Retracted Height (in.)	Extended Height (in.)	Adjustment (in.)	Ball Size (in.)	Packaging	Master Carton
0289600300	Adjustable Gooseneck Coupler, 4.5 in. x 20 in. Length Square Outer Tube, 4 in. x 30.75 in. Square Inner Tube, with Cast Locking Plates, 3/4 in. Load Bearing Bolt, (1) Set bolt, Raw, Labels Applied	25,000	32.00	40.00	8.00	2-5/16	Bulk	1
028900	Adjustable Gooseneck Coupler, 4.5 in. x 20 in. Length Square Outer Tube, 4 in. x 30.75 in. Square Inner Tube, with Cast Locking Plates, 3/4 in. Load Bearing Bolt, (2) Set Bolts, Raw, Labels Applied	30,000	32.00	39.00	7.00	2-5/16	Bulk	1
0289800300	Topwind Crank Adjustable Gooseneck Coupler, 4.5 in. x 20 in. Length Square Outer Tube, 4 in. x 30.75 in. Square Inner Tube, with Cast Locking Plates, 3/4 in. Load Bearing Bolt, (1) Set Bolt, Raw, Labels Applied	30,000	32.00	40.00	8.00	2-5/16	Bulk	1
<b>Inner Tube Only</b>								
0288660300	Adjustable Gooseneck Coupler, 4.0 in. x 30.75 in. Square Inner Tube Only, with Cast Locking Plates, Raw, Labels Applied	25,000	-	-	-	2-5/16	Bulk	1



0287800300



0287820300

### PRO SERIES™ ROUND GOOSENECK COUPLERS

- Dual set of bolts and labels
- Handle hold-open feature
- User-friendly design is simple to use
- Quick to hook up and disconnect
- Easy vertical adjustment
- Raw finish



Handle Hold-Open



Load Bearing Pin

Part Number	Description	Capacity (lbs.)	Retracted Height (in.)	Extended Height (in.)	Adjustment (in.)	Ball Size (in.)	Packaging	Master Carton
0287790300	Adjustable Gooseneck Coupler, 4.5 in. Diameter x 19 in. Length Outer Tube, 4 in. Diameter x 25.5 in. Inner Tube, with Cast Locking Plates, (2) Set Bolts, Raw, Labels Loose	20,000	26.70	34.70	8.00	2-5/16	Bulk	1
0287800300	Adjustable Gooseneck Coupler, 4.5 in. Diameter x 19 in. Length Outer Tube, 4 in. Diameter x 25.5 in. Inner Tube, with Cast Locking Plates, (2) Set Bolts, Raw, Labels Loose	25,000	26.70	34.70	8.00	2-5/16	Bulk	1
0287820300	Adjustable Gooseneck Coupler, 4.5 in. Diameter x 19 in. Length Outer Tube, 4 in. Diameter x 27.2 in. Inner Tube, with Cast Locking Plates, 3/4 in. Load Bearing Pin, (1) Set Bolt, Raw, Labels Loose	25,000	26.70	34.70	8.00	2-5/16	Bulk	1



0289640300

0289590300

## KING PIN GOOSENECK COUPLERS

- Allows gooseneck trailer to be towed with vehicles equipped with a fifth wheel hitch
- Features dual set bolts
- Round model features exclusive load bearing pin
- Square model features exclusive load bearing pinch bolt
- Available with or without outer tube
- In compliance with SAE standard J2638 (outer tube must be installed and reinforced by the trailer manufacturer)



Part Number	Description	Capacity (lbs.)	Retracted Height (in.)	Extended Height (in.)	Adjustment (in.)	Packaging	Master Carton
0289580300	King Pin Adjustable Gooseneck Coupler, 4.5 in. Diameter x 20 in. Length Outer Tube, 4 in. Diameter x 22.2 in. Inner Tube, 3/4 in. Load Bearing Pin, (2) Set Bolts, Raw, Labels Loose	25,000	23.30	31.30	8.00	Bulk	1
0289590300	King Pin Adjustable Gooseneck Coupler, 4.5 in. x 20 in. Length Square Outer Tube, 4 in. x 22.75 in. Square Inner Tube, 3/4 in. Load Bearing Bolt, (2) Set Bolts, Raw, Labels Loose	30,000	23.30	31.30	8.00	Bulk	1
<b>Inner Tube Only</b>							
0289640300	King Pin Adjustable Gooseneck Coupler, 4 in. Diameter x 22.2 in. Inner Tube Only, Raw, Labels Loose	25,000	23.30	31.30	8.00	Bulk	1
0289650300	King Pin Adjustable Gooseneck Coupler, 4 in. x 22.75 in. Square Inner Tube Only, Raw, Labels Loose	30,000	23.30	31.30	8.00	Bulk	1
<b>Service Kit</b>							
0289SB0140	Adjustable Gooseneck Pinch Bolt Kit					Bulk	10



63023



63060



1291020340

## LUNETTE RINGS

- Designed with strength, durability and ease of use in mind
- Forged steel construction for high strength and wear resistance
- Simple bolt-on installation

Part Number	Description	Diameter (in.)	Capacity (lbs.)	Finish	Packaging	Master Carton
63023	4 Bolt Flange Lunette Ring	2-1/2	42,000	Black Paint	Litho Box	4
63022	1-1/2 in. Shank Lunette Ring	2-1/2	15,000	Black Paint	Litho Box	4
63036	Adjustable Lunette Ring with Hardware and Channel	3	24,000	Black Paint	Litho Box	4
63060	Adjustable Lunette Ring with Hardware	3	24,000	Black Paint	Litho Box	4
1291020383	Adjustable Lunette Ring	3	14,000	Black Paint	Bulk	1
1291020340	Adjustable Lunette Ring	3	14,000	Clear Zinc	Bulk	1
<b>Accessories</b>						
63033	Hardware Mounting Kit for 63023				Litho Box	14
AC300 0300	Mounting Channel, 4 Hole, 3 Position, 8 in. Height				Bulk	10
AC500 0300	Mounting Channel, 6 Hole, 5 Position, 11-3/4 in. Height				Bulk	5
024202	Adjustable Height Lunette Ring Hardware Kit				Display Bag	240





### HEAVY DUTY CAST COUPLERS

Designed for utility, horse/livestock, cargo, and construction trailer applications, BULLDOG® couplers are the strongest in the industry. The patented cast head in.Wedge-Latch® in. coupler design is offered in heavy-duty, A-frame, and convenient adjustable height models. Adjustable couplers assure level operation for trailers when pulled by a variety of vehicles. The replaceable latching hardware allows for longer service life.

- Quick and easy to engage
- Strong and secure on the road
- Patented Wedge-Latch® ball clamp design
- Quick to hook up and disconnect
- In compliance with SAE standard J684



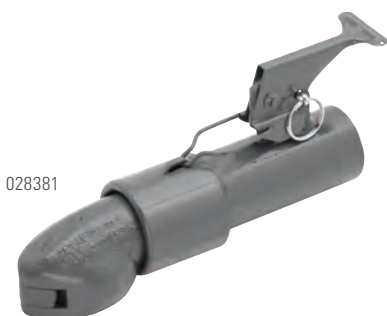
Part Number	Description	Capacity (lbs.)	Overall Length (in.)	Latch	Ball Size (in.)	SAE Class	Packaging	Master Carton
<b>Wedge-Latch Cast Head Couplers</b>								
43805W0317	Round Jack Mount, 50° A-Frame	8,000	18.00	Wedge-Latch	2	IV	Bulk	1
44125W0317	Round Jack Mount, 50° A-Frame	12,500	18.00	Wedge-Latch	2-5/16	IV	Bulk	1
44150W0317	Round Jack Mount, 50° A-Frame	15,000	18.00	Wedge-Latch	2-5/16	IV	Bulk	1
44150WQ317	Square Jack Mount, 50° A-Frame	15,000	18.00	Wedge-Latch	2-5/16	IV	Bulk	1
44150WH301	Round Jack Mount, 50° A-Frame, for Bolt-On Applications	15,000	18.00	Wedge-Latch	2-5/16	IV	Bulk	1
<b>Wedge-Latch Flat Mount Cast Head Couplers</b>								
4420000317	Cast Head, 4-1/2 in. Mount Pattern, Gray Primer Coat	20,000	-	Wedge-Latch	2-5/16	-	Bulk	1
4425000317	Cast Head, 4-1/2 in. Mount Pattern, Gray Primer Coat	25,000	-	Wedge-Latch	2-5/16	-	Bulk	1
<b>Accessory Part, Wedge-Latch Flat Mount Cast Head Coupler</b>								
PL4 0201	Coupler Pin with Lanyard 5/16 in. with 4 Link Chain and Tab	-	-	-	-	-	Bulk	25
<b>Wedge-Latch Adjustable Height Cast Head Couplers</b>								
A200C 0317	Cast Head Includes Mounting Hardware, Adjustable Height	8,000	8.50	Wedge-Latch	2	IV	Bulk	1
A2003C0317	Cast Head Includes Bolts and 3-Position Channel, Adjustable Height	8,000	9.25	Wedge-Latch	2	IV	Bulk	1
A2005C0317	Cast Head Includes Bolts and 5-Position Channel, Adjustable Height	8,000	9.25	Wedge-Latch	2	IV	Bulk	1
A256C 0317	Cast Head Includes Mounting Hardware, Adjustable Height	14,000	9.25	Wedge-Latch	2-5/16	IV	Bulk	1
A2563C0317	Cast Head Includes Bolts and 3-Position Channel, Adjustable Height	14,000	9.50	Wedge-Latch	2-5/16	IV	Bulk	1
A2565C0317	Cast Head Includes Bolts and 5-Position Channel, Adjustable Height	14,000	9.50	Wedge-Latch	2-5/16	IV	Bulk	1
<b>Accessories and Replacement Parts, Adjustable Height Channel Bracket</b>								
AC300 0300	4-Hole, 3-Position Bracket, with 4 in. of Vertical Adjustment, Adjustable Height	-	8.00	-	-	-	Bulk	1
AC500 0300	6-Hole, 5-Position Bracket, with 8 in. of Vertical Adjustment, Adjustable Height	-	11.75	-	-	-	Bulk	1
66 0801	2 in. Ball Size Wedge-Latch Repair Kit, Includes Latch Lever, Ball Clamp, and Replacement Hardware	-	-	-	2	-	Boxed	12
67 0801	2-5/16 in. Ball Size Wedge-Latch Repair Kit, Includes Latch Lever, Ball Clamp, and Replacement Hardware	-	-	-	2-5/16	-	Boxed	12

NOTE: Other custom-made designs are available upon request

## COLLAR-LOK COUPLERS

### HEAVY DUTY COLLAR-LOK™ COUPLERS

- Designed for utility, horse/livestock, cargo, and construction trailer applications, BULLDOG® Collar-Lok™ are the strongest in the industry
- The BULLDOG® design features the only automatic and continuously tight ball fit in the industry
- A variety of coupler styles, tongue mounts, and latches allow configurations to match virtually any trailer
- Adjustable couplers assure level operation for trailers when pulled by a variety of different vehicles
- Strong in both static and dynamic loading conditions
- Hinged ball socket for easy hook up
- Clear, visual indication of proper closure
- In compliance with SAE standard J684



028381



028442



028382



028243



028383

### ROUND TUBULAR MOUNT

- 2-1/4 in. outside diameter steel tubing
- 1-3/4 in. inside diameter steel tubing

Part Number	Model Number	Capacity (lbs.)	Overall Length (in.)	Latch	Ball Size (in.)	SAE Class	Packaging	Pallet Qty.
028381	2B2H	5,000	10.75	High Profile	2	III	Bulk	1
028242	2B2M	5,000	10.75	Pin Style	2	III	Bulk	1
028461	4B2H	12,500	12.75	High Profile	2-5/16	-	Bulk	1
028442	4B2M	12,500	12.75	Pin Style	2-5/16	-	Bulk	1
Replacement Parts								
024200	High Profile Coupler Repair Kit						Bulk	25
500354	Coupler Cap Spring						Bulk	25

### SQUARE RECTANGULAR MOUNT

- High strength steel for 3 in. square or rectangular trailer tongues

Part Number	Model Number	Capacity (lbs.)	Overall Length (in.)	Latch	Ball Size (in.)	SAE Class	Packaging	Pallet Qty.
028382 ◊	2B4H	5,000	16.25	High Profile	2	III	Bulk	1
028244	2B4M	5,000	16.25	Pin Style	2	III	Bulk	1
028387 ◊	3B4H	7,000	16.25	High Profile	2	IV	Bulk	1
028243	3B4M	7,000	16.25	Pin Style	2	IV	Bulk	1
028462 ◊	4B4H	12,500	16.50	High Profile	2-5/16	-	Bulk	1
028444	4B4M	12,500	16.50	Pin Style	2-5/16	-	Bulk	1
Replacement Parts								
024200	High Profile Coupler Repair Kit						Bulk	25
500354	Coupler Cap Spring						Bulk	25

◊ Denotes Most Popular

### ROUND STRAIGHT MOUNT

- High strength steel for 3-1/2 in. outside diameter round trailer tongues

Part Number	Model Number	Capacity (lbs.)	Overall Length (in.)	Latch	Ball Size (in.)	SAE Class	Packaging	Pallet Qty.
028383	2B5H	5,000	16.25	High Profile	2	III	Bulk	1
Replacement Parts								
024200	High Profile Coupler Repair Kit						Bulk	25
500354	Coupler Cap Spring						Bulk	25



028584

### RIGID MOUNT - ADJUSTABLE CHANNEL MOUNT

- Rigid anti-rattle design using 4 bolts
- Easy one tool installation
- Fits inside 3 in. wide channel

Part Number	Model Number	Capacity (lbs.)	Overall Length (in.)	Latch	Ball Size (in.)	SAE Class	Packaging	Pallet Qty.
028584	3B6M	7,000	9.5	Pin Style	2	IV	Bulk	1
028585	4B6M	12,500	10.00	Pin Style	2-5/16	-	Bulk	1



028657

### ADJUSTABLE CHANNEL MOUNT

- Fits inside 3 in. wide channel

Part Number	Model Number	Capacity (lbs.)	Overall Length (in.)	Latch	Ball Size (in.)	SAE Class	Packaging	Pallet Qty.
028390 ◊	3B6M	7,000	9.50	Pin Style	2	IV	PDQ Tray	1
028630 ◊	4B6M	12,500	10.00	Pin Style	2-5/16	-	Bulk	1
028657	5B6M	15,000	10.00	Pin Style	2-5/16	-	Bulk	1

◊ Denotes Most Popular



028288

### A-FRAME MOUNT

- High strength steel for 50-degree trailer tongues
- Tapped mounting holes optional



028386

Part Number	Model Number	Capacity (lbs.)	Overall Length (in.)	Latch	Ball Size (in.)	SAE Class	Packaging	Pallet Qty.
028384	2B8H	5,000	16.00	High Profile	2	III	Bulk	1
028288 ◊	2B8L	5,000	16.00	Low Profile	2	III	Bulk	1
028386	3B8H	7,000	16.00	High Profile	2	IV	Bulk	1
028287 ◊	3B8L	7,000	16.00	Low Profile	2	IV	Bulk	1
028463	4B8H	12,500	16.50	High Profile	2-5/16	-	Bulk	1
028499 ◊	4B8L	12,500	16.50	Low Profile	2-5/16	-	Bulk	1

#### Replacement Parts

024200	High Profile Coupler Repair Kit	Bulk	25
500354	Coupler Cap Spring	Bulk	25

◊ Denotes Most Popular



028656

### HEAVY DUTY A-FRAME MOUNT

- High strength steel for 50-degree trailer tongues
- Tapped mounting holes optional
- Black primed finish



028655

Part Number	Model Number	Capacity (lbs.)	Overall Length (in.)	Latch	Ball Size (in.)	SAE Class	Packaging	Pallet Qty.
028656	5B8H	15,000	16.50	High Profile	2-5/16	-	Bulk	1
028655	5B8L	15,000	16.50	Low Profile	2-5/16	-	Bulk	1

#### Replacement Parts

024200	High Profile Coupler Repair Kit	Bulk	25
500354	Coupler Cap Spring	Bulk	25

11200 0101



11250 0101



11300 0101



## STRAIGHT TONGUE STAMPED FAS-LOK® COUPLERS

- The most popular coupler mechanism ever developed, Fas-Lok® originated as a Fulton® brand and is offered in a full line of SAE Class I through IV rated straight tongue stamped couplers
- The Fas-Lok® latching mechanism allows quick and easy trailer hook-up, and is factory adjusted for convenience

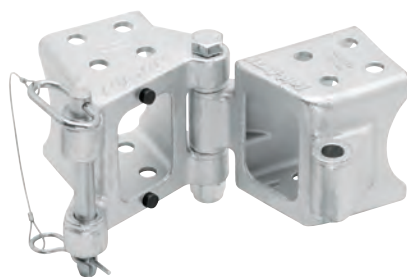


• 600 hour salt spray rating per ASTM B117

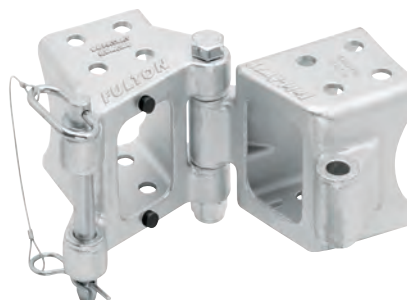
Part Number	Description	Capacity (lbs.)	Ball Size (in.)	SAE Class	Finish	Label	Packaging	Master Carton
11200 0101	2 in. Wide Channel	2,000	1-7/8	I	100 Hr.	Labeled	Boxed	6
11250 0101	2-1/2 in. Wide Channel	2,000	1-7/8	I	Zinc	Labeled	Boxed	6
11300 0101	3 in. Wide Channel	2,000	1-7/8	I	100 Hr.	Labeled	Boxed	6
22200 0101	2 in. Wide Channel	3,500	2	II	Z-Max 600	Labeled	Boxed	6
22300 0101	3 in. Wide Channel	3,500	2	II	Zinc	Labeled	Boxed	6
34300 0301	3 in. Wide Channel	5,000	2	III	Z-Max 600	No Label	Bulk	1
34300 0317	3 in. Wide Channel	5,000	2	III	Primed	No Label	Bulk	1
34600 0301	3 in. Wide Channel, Cast Ball Clamp	6,000	2	IV	Z-Max 600	No Label	Bulk	1

## FOLD-AWAY™ HINGE KITS

- Fulton® High Performance Series Fold-Away™ hinge kits are ideal for boat trailers that can be just a little too long to fit inside smaller garages. These high quality, precision engineered products provide options for solving this common problem
- Converts standard trailer tongues into fold-away configurations while preserving the existing coupler
- Delivers strength at the pivot point with precisely machined heavy duty hinges made from die cast steel
- Choose the Fold-Away™ product that fits your needs from among several varieties made to fit standard trailer tongue dimensions
- Features Z-Max™ 600 hour clear zinc finish
- Easy to install bolt-on application with complete instruction manual
- Includes all mounting hardware
- Only recommended for trailers with steel tongues



HDPB330101



HDPB350101

Part Number	Description	Capacity (lbs.)	Pivot Length (in.)	Finish	Packaging	Master Carton
<b>Bolt-On</b>						
HDPB230101	2 in. x 3 in. Trailer Tongues	Up to 5,000	Up to 48	Z-Max 600	Boxed	2
HDPB330101	3 in. x 3 in. Trailer Tongues	Up to 5,000	Up to 48	Z-Max 600	Boxed	2
HDPB340101	3 in. x 4 in. Trailer Tongues	Up to 7,500	Up to 48	Z-Max 600	Boxed	2
HDPB350101	3 in. x 5 in. Trailer Tongues	Up to 9,000	Up to 48	Z-Max 600	Boxed	2
<b>Replacement Parts</b>						
500705	Pivot Bumpers, (4)				Display Bag	100
500334	Pivot Pin, 5/8 in. x 4-1/2 in. with Cotter Pin and Lanyard for 3 in. x 3 in.				Display Bag	40
500335	Pivot Pin, 5/8 in. x 5-1/2 in. with Cotter Pin and Lanyard for 3 in. x 4 in.				Display Bag	40
500336	Pivot Pin, 5/8 in. x 6-1/2 in. with Cotter Pin and Lanyard for 3 in. x 5 in.				Display Bag	44

### A-FRAME STAMPED COUPLERS

- 50-degree A-frame

44305R0317



44314R0303



Part Number	Description	Capacity (lbs.)	Ball Size (lbs.)	SAE Class	Finish	Packaging	Master Carton
E333050303	Weld-On	5,000	2	III	Black E-Coat	Bulk	1
33305H0301	Bolt-On	5,000	2	III	Zinc	Bulk	1
E443050303	Weld-On, Low Profile Latch	10,000	2-5/16	IV	Black E-Coat	Bulk	1
44305R0317	Weld On, Wedge-Latch	10,000	2-5/16	IV	Gray Primer	Bulk	1
44305R0500	Weld On, Wedge-Latch	10,000	2-5/16	IV	Oily	Bulk	1
44311H0301	Bolt-On, Wedge-Latch	11,000	2-5/16	IV	Zinc	Bulk	1
44314R0303	Weld On, Wedge-Latch	14,000	2-5/16	IV	Black Paint	Bulk	1
<b>Accessories</b>							
CH 0701	Handi-Grip Coupler Handle					Bulk	1
<b>Replacement Parts</b>							
64 0801	Coupler Repair Kit for 44305R Series Couplers					Boxed	12

### HANDWHEEL STAMPED COUPLER

308 0217



Part Number	Description	Capacity (lbs.)	Ball Size (lbs.)	SAE Class	Finish	Packaging	Master Carton
308 0217	2-7/8 in. Channel, Handwheel Latch	5,000	2 to 2-1/8	III	Primed	Boxed	10
<b>Accessories</b>							
CH 0701	Handi-Grip Coupler Handle					Bulk	1
<b>Replacement Parts</b>							
52 0801	Coupler Repair Kit for Handwheel Couplers					Boxed	12

### YOKE STAMPED COUPLERS

- Round jack mount 50-degree A-frame
- Weld-on

E338050303



Part Number	Description	Capacity (lbs.)	Ball Size (lbs.)	SAE Class	Finish	Packaging	Master Carton
E338050303	Class III Coupler	5,000	2	-	Black Paint	Bulk	1
E438050303	Class IV Coupler	8,000	2	-	Black Paint	Bulk	1
<b>Accessories</b>							
CH 0701	Handi-Grip Coupler Handle					Clamshell	6

### ADJUSTABLE HEIGHT STAMPED COUPLERS

- Patented Wedge-Latch® ball clamp design
- Mounting hardware included (mounting bracket sold separately)

A200S 0303



Part Number	Description	Capacity (lbs.)	Ball Size (lbs.)	SAE Class	Finish	Packaging	Master Carton
A200S 0303	Adjustable Coupler	8,000	2	-	Black Paint	Bulk	1
A256S 0303	Adjustable Coupler	14,000	2-5/16	-	Black Paint	Bulk	1
<b>Mounting Brackets</b>							
AC300 0300	3 Position, Raw, Mounting Hardware Sold Separately, 8 in. Height					Bulk	10
AC500 0300	5 Position, Raw, Mounting Hardware Sold Separately, 11.75 in. Height					Bulk	5
024202	Mounting Hardware					Display Bag	240



# TRAILER WINCHES

Fulton® has produced the finest winches in the industry for over 50 years. The result of engineering innovation, superior materials, and rugged manufacturing, Fulton® Winches offer the greatest applications coverage for your unique needs. Ranging from the stylish and innovative F2® Winch to the wide variety of one-speed, two-speed winches and brake winches, Fulton® offers a style and capacity to meet virtually every need.

The Fulton® F2® Winch brings an innovative and attractive design that will update any marine trailer. Its clean, high-tech look is sleek and contemporary, and will complement the look of even high end boat and trailer combinations. Fulton® continues to evolve industry-changing improvements in both performance and style with the Fulton® F2® series of products.

## TRAILER WINCHES

- Powered Marine Winches ..... L-2
- Winch Selection ..... L-3
- F2® Series ..... L-4
- XLT™ Series ..... L-5
- Single Speed ..... L-4 - L-6
- Two Speed ..... L-7
- Brake Winches ..... L-8 - L-9
- Pro Series™ Brake Winches ..... L-9
- Brake Winch Specs ..... L-9

## ELECTRIC WINCHES

- Utility ..... L-10
- Accessories ..... L-10
- Utility Winch Specs ..... L-11 - L-12

## DISCONTINUED PRODUCTS ..... L-13 - L-14

## TECHNICAL INFORMATION ..... L-9 / L-11 - L-12

# FEATURED

TRAILER WINCHES

## XLT™ POWERED MARINE WINCHES

Put power where you need it most with the Fulton® XLT™ powered marine winch. Maximize your enjoyment of your boating experience by minimizing your efforts to load and unload your boat.

- Requires connection to a minimum of a 650 CCA 12V DC battery
- Convenient wireless remote included
- Rugged strap includes swiveling hook to prevent twisting
- Power in / Power out and free spool
- 3-position guide so strap comes out straight
- Manual override using standard tools in case of power loss
- Easy to access light and winch control switches
- LED lights on back and bottom to help at dusk and dawn
- Patented E.I.S. Easy Install System, drop in bolts, apply lock ring, adjust bolts and tighten
- Premium Sharkskin™ finish:
  - Maximum corrosion resistance
  - Used in salt water environments and other demanding climate applications
- Pair with the Fulton® XLT™ powered marine trailer jack (#141401), see page J-6 for additional information



500620

Includes Wireless Remote

Part Number	Description	Max Boat Weight (lbs.)	Max Boat Length (ft.)	Packaging	Master Carton
500620	7.0 XLT Powered Marine Winch and Wireless Remote	7,000	20	Litho Box	1
500621	10.0 XLT Powered Marine Winch and Wireless Remote	10,000	26	Litho Box	1



Easy install system



Hook swivels 360 degrees



LEDs on back and bottom and 3-position guide



Pair with Fulton XLT powered marine jack

## TRAILER WINCH SELECTION

### SELECTING A PULLING WINCH

To Select Winch Capacity:

1. Minimum Winch Capacity = Maximum Weight of Boat, Including Motor, Fuel, Gear ÷ 2

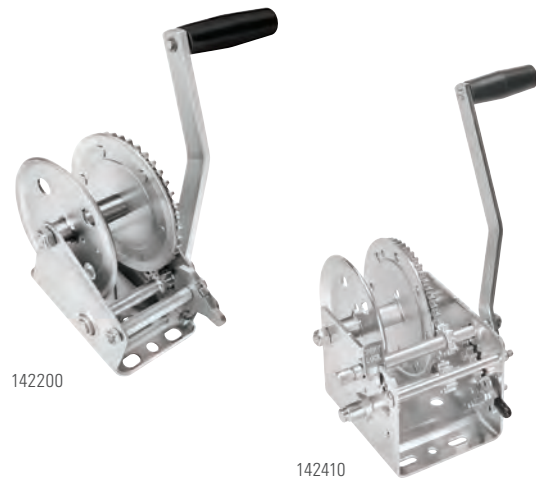
Example:

- Boat, Motor, Fuel, Gear Weight = 2,800 lbs.
- $2,800 \div 2 = 1,400$  lbs.
- **Select 142200 winch rated at 1,500 lbs.**

2. If shallow water or steep inclined launches are expected to be used ÷ Maximum Weight by 1.5

Example:

- Boat, Motor, Fuel, Gear Weight = 3,100 lbs.
- $3,100 \div 1.5 = 2,067$  lbs.
- **Select 142410 winch rated at 2,600 lbs.**



COMMON PULLING APPLICATION

### SELECTING A LIFTING WINCH

To Select Winch Capacity:

1. Minimum Winch Capacity = Maximum Line Load

Example:

- Maximum Line Load = 1,450 lbs.
- **Select 143100 winch, rated at 1,500 lbs.**



COMMON LIFTING APPLICATIONS

**NOTES:**

1. Fulton brand two-speed winches are designed for boat trailer and other pulling applications, which require the freewheeling feature of ratchet type winches. If moving loads requiring vertical lifting, or positive load control in both directions, choose a Fulton brake winch.
2. All Fulton brand winches are rated on the first layer of recommended rope, strap, or cable. The winch load capacity must be derated as additional layers are used. Derate the capacity 10% per additional layer of rope, strap, or cable.
3. Fulton brand winches are NOT designed to be human hoists and should never be operated when there are persons on, around, or under the load being moved.



## F2® SERIES TRAILER WINCHES

The F2® Winch addresses the need for attractive design in every element of a marine trailer. It complements the look of even high end boat and trailer combinations and continues the industry changing improvements in both performance and style of the Fulton® F2® series of products.

- Attractive design to compliment the F2® jack series for a custom look
- Enclosed frame design for a sleek, strong stylish look to compliment your boat and customize your trailer
- Features patented E.I.S. - "Easy Install System"
- Premium Sharkskin™ finish: Maximum corrosion resistance used in salt water environments and other demanding climate applications

# F2



## SHARKSKIN.

CE Compliant

### 1,600 LBS. SINGLE-SPEED WINCH MODEL:

- Handle switches from left to right hand drive configuration

### 2,000 LBS. SINGLE-SPEED WINCH MODEL:

- Handle switches from left to right hand drive configuration
- Center drive enclosed ratchet system
- User-friendly pull-turn knob to engage ratchet plunger pin

### 3,200 LBS. TWO-SPEED WINCH MODEL:

- Center drive enclosed ratchet system
- User-friendly pull-turn knob to engage ratchet plunger pin
- Self-engaging one-hand system shifts from high to low speed



Easy Install System



FW16000101

FW20000101

FW32000101

Part Number	Capacity (lbs.)	Adjustable Handle Lengths (in.)	Gear Ratio	Mounting Hardware Included	Strap (ft. x in.)	Finish	Strap Included	Packaging	Master Carton
FW16000101	1,600	6 to 7	4.1:1	Yes	20 x 2	Sharkskin	Yes	Boxed	4
FW20000101	2,000	6 to 9	5.1:1	Yes	20 x 2	Sharkskin	Yes	Boxed	4
FW32000101 (2-Speed)	3,200	6 to 9	5.1:1 3.16:1	Yes	20 x 2	Sharkskin	Yes	Boxed	4
Replacement Parts									
FW3200S01	2-Speed Sun Gear Kit							Display Bag	6
500350	Top Cover for F2 Winches							Display Bag	25
500351	Back Cover for FW2000 and FW3200							Display Bag	32
0133313S00	Winch Handle Kit for FW1600							Display Bag	10
1596S01	Ratchet Repair Kit for FW1600							Display Bag	25
0133310S00	Ratchet Repair Kit for FW2000 and FW3200							Display Bag	12
0133311S00	Winch Handle Kit for FW2000 and FW3200							Display Bag	5
0133312S00	2-Speed Planetary Drive System Repair Kit for FW3200							Display Bag	1
501135	Ratchet Pawl Spring for FW1600							Display Bag	25
501136	Mounting Hardware for F2 Winches							Display Bag	25
501137	6 in. to 7 in. Handle for F2 Winches							Display Bag	10
501138	6 in. to 9 in. Handle for F2 Winches							Display Bag	10

SINGLE SPEED WINCHES

**XLT™ SERIES SINGLE SPEED TRAILER WINCHES**

Our full line of Fulton® single speed winches are designed to meet your toughest pulling demands. XLT™ Series winches feature efficient gear ratios, full-length drum bearings, oil-impregnated shaft bushings, and our "Comfort Grip" handle for ease of cranking. Stamped carbon steel frames provide rigidity for gear alignment and longer cycle life.



- Features a 2-way ratchet with neutral pawl
- Stylized thermoplastic covers
- All gears are high-carbon steel for superb strength and long-term durability
- Strap and hook included

CE Compliant



142311

142314

142315

Part Number	Capacity (lbs.)	Handle Length (in.)	Max Mechanical Advance**	Rope (ft. x in.)	Strap (ft. x in.)	Recommended Strap Bolt Sizes (in.)	Strap Included	Cover	Packaging	Master Carton
142310	1,400	8.00	43:1	-	20 x 2	5/16 x 2-1/2 Grade 5	Yes	Black	Litho Box	4
142311	1,500	8.00	43:1	-	20 x 2	5/16 x 2-1/2 Grade 5	Yes	Black	Litho Box	4
142313	1,500	6.00	43:1	-	20 x 2	5/16 x 2-1/2 Grade 5	Yes	Black	Litho Box	4
142314	1,800	10.00	62:1	-	20 x 2	3/8 x 2-3/4 Grade 5	Yes	Black	Litho Box	3
142315	1,800	10.00	62:1	-	20 x 2	3/8 x 2-3/4 Grade 5	Yes	Black	Litho Box	3
142316	1,800	8.00	62:1	-	20 x 2	3/8 x 2-3/4 Grade 5	Yes	Black	Litho Box	3
<b>Accessories</b>										
501103	Winch Handle, 6 in. Offset								Poly Bag	6
501107	Winch Handle, 7 in. Offset								Poly Bag	6
501106	Winch Handle, 8 in. Offset								Poly Bag	6
501109	Winch Handle, 9 in. Offset								Poly Bag	40
501108	Winch Handle, 10 in. Offset								Poly Bag	6
501101	Winch Handle, 11 in. Offset								Poly Bag	6
501202	Nylon Web Winch Strap with Hook, 2 in. x 20 ft., 2,600 lbs, Maximum Working Load								Clamshell	6
501207	Nylon Web Winch Strap with Hook, 2 in. x 20 ft., 3,200 lbs, Maximum Working Load								Clamshell	4
WS20HD0600	Heavy Duty Nylon Web Winch Strap with Hook, 2 in. x 20 ft., 4,000 lbs, Maximum Working Load								Clamshell	4

\*\*Maximum Mechanical Advance - Based on first layer of recommended line on the drum. For maximum efficiency, use only the amount of line required.

## SINGLE SPEED TRAILER WINCHES

Our full line of Fulton® single speed winches are designed to meet your toughest pulling demands. Our winch's solid drum gear construction delivers smooth cranking and durability.

- The 900 lbs. to 1,800 lbs. capacity models feature a 2-way ratchet with neutral pawl
- Factory lubricated drive systems
- For end user convenience, models are available with the strap and hook included
- Features ZMAX™ 600 clear zinc or glossy black finish for superior corrosion resistance



• 600 hour salt spray rating per ASTM B117

CE Compliant



142226 (shown without strap & hook)



142305



142208

Part Number	Capacity (lbs.)	Handle Length (in.)	Max Mechanical Advance**	Rope (ft. x in.)	Strap (ft. x in.)	Recommended Strap Bolt Sizes (in.)	Strap Included	Finish	Packaging	Master Carton
142001	900	7.00	39:1	36 x 1/4	15 x 2	1/4 x 2-1/2 Grade 5	No	Clear Zinc	Litho Box	6
142006	900	7.00	39:1	36 x 1/4	15 x 2	1/4 x 2-1/2 Grade 5	Yes	Clear Zinc	Litho Box	6
142026	900	7.00	39:1	36 x 1/4	15 x 2	1/4 x 2-1/2 Grade 5	Yes	Glossy Black	Litho Box	6
142100	1,100	7.00	43:1	30 x 5/16	20 x 2	1/4 x 2-1/2 Grade 5	No	Clear Zinc	Litho Box	6
142102	1,100	7.00	43:1	30 x 5/16	20 x 2	1/4 x 2-1/2 Grade 5	Yes	Clear Zinc	Litho Box	6
142103	1,300	8.00	49:1	30 x 5/16	20 x 2	1/4 x 2-1/2 Grade 5	No	Clear Zinc	Litho Box	6
142200	1,500	8.00	49:1	20 x 5/16	20 x 2	1/4 x 2-1/2 Grade 5	No	Clear Zinc	Litho Box	6
142203	1,500	8.00	49:1	20 x 5/16	20 x 2	1/4 x 2-1/2 Grade 5	Yes	Clear Zinc	Litho Box	6
142208	1,500	8.00	49:1	20 x 5/16	20 x 2	1/4 x 2-1/2 Grade 5	Yes	Clear Zinc	Litho Box	6
142226	1,500	8.00	49:1	20 x 5/16	20 x 2	1/4 x 2-1/2 Grade 5	Yes	Glossy Black	Litho Box	6
142300	1,800	8.00	62:1	20 x 7/16	20 x 2	3/8 x 2-3/4 Grade 5	No	Clear Zinc	Litho Box	4
142305	1,800	8.00	62:1	20 x 7/16	20 x 2	3/8 x 2-3/4 Grade 5	Yes	Clear Zinc	Litho Box	4
142326	1,800	8.00	62:1	20 x 7/16	20 x 2	3/8 x 2-3/4 Grade 5	Yes	Glossy Black	Litho Box	4
<b>Accessories</b>										
501103	Winch Handle, 6 in. Offset								Poly Bag	6
501107	Winch Handle, 7 in. Offset								Poly Bag	6
501106	Winch Handle, 8 in. Offset								Poly Bag	6
501109	Winch Handle, 9 in. Offset								Poly Bag	40
501108	Winch Handle, 10 in. Offset								Poly Bag	6
501101	Winch Handle, 11 in. Offset								Poly Bag	6
501202	Nylon Web Winch Strap with Hook, 2 in. x 20 ft., 2,600 lbs, Maximum Working Load								Clamshell	6
501207	Nylon Web Winch Strap with Hook, 2 in. x 20 ft., 3,200 lbs, Maximum Working Load								Clamshell	4
WS20HD0600	Heavy Duty Nylon Web Winch Strap with Hook, 2 in. x 20 ft., 4,000 lbs, Maximum Working Load								Clamshell	4

\*\*Maximum Mechanical Advance - Based on first layer of recommended line on the drum. For maximum efficiency, use only the amount of line required.

## TWO SPEED WINCHES

### TWO SPEED TRAILER WINCHES

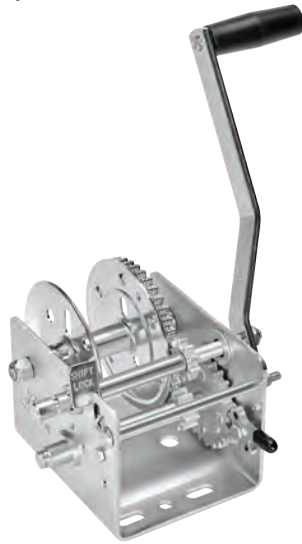
Make light work of heavy loads with Fulton® brand two-speed winches. One fast speed for quick pulling, a second low speed for increased mechanical advantage.

- Our shift lock design allows changing gears without moving the crank handle from shaft to shaft. Just lift the shift lock and slide the shaft into the desired gear position. Shift lock holds the shaft in gear.
- Neutral, free-wheel position allows quick line pay out without spinning the handle
- Optional handbrake kit (501210) purchased separately and available for all two-speed winches and can be installed after the winch is mounted
- Winch mounting hardware sold separately, refer to instruction sheet for recommended bolt size and grade



• 600 hour salt spray rating per ASTM B117

**CE Compliant**



142400



142410



142430

Part Number	Capacity (lbs.)	Handle Length (in.)	Max Mechanical Advance**	Cable (ft. x in.)	Strap (ft. x in.)	Recommended Strap Bolt Sizes (in.)	Hub Size (in.)	Hand Brake***	Strap Included	Cable Included	Packaging	Master Carton
142400	2,000	10.00	87:1	-	20 x 2	3/8 x 2-3/4 Grade 5	1.00	501210	No	-	Litho Box	3
142410	2,600	10.00	108:1	-	20 x 2	3/8 x 2-3/4 Grade 5	1.00	501210	No	-	Litho Box	3
142415	2,600	10.00	108:1	-	20 x 2	3/8 x 2-3/4 Grade 5	1.00	501210	Yes	-	Litho Box	3
142411	2,600	10.00	108:1	-	20 x 3	3/8 x 3-1/2 Grade 5	1.00	Included	No	-	Litho Box	3
142420	3,200	10.00	79:1	100 x 7/32	-	Cable Only	1.75	501210	-	No	Litho box	3
142430	3,700	10.00	102:1	140 x 7/32	-	Cable Only	1.75	Included	-	No	Litho Box	2
<b>Accessories</b>												
501108	Winch Handle, 10 in. Offset										Poly Bag	6
501110	Winch Handle, 10 in. Removable, for 3,700 lbs. Capacity Models										Poly Bag	6
501202	Nylon Web Winch Strap with Hook, 2 in. x 20 ft., 2,600 lbs. Maximum Working Load										Clamshell	6
501207	Nylon Web Winch Strap with Hook, 2 in. x 20 ft., 3,200 lbs. Maximum Working Load										Clamshell	6
WS20HD0600	Heavy Duty Winch Strap with Hook, 2 in. x 30 ft., 4,000 lbs. Maximum Working Load										Clamshell	4
WC325 0100	Galvanized Winch Cable and Hook, 3/16 in. x 25 ft., 4,200 lbs. Break Strength										Poly Bag	4
WC750 0100	Galvanized Winch Cable and Hook, 7/32 in. x 50 ft., 5,600 lbs. Break Strength										Poly Bag	6
<b>Replacement Parts</b>												
501132	Ratchet Repair Kit for 2,000 - 3,200 lbs. Capacity Models										Poly Bag	4
501134	Input Shaft Kit for 2,000 - 3,200 lbs. Capacity Models										Poly Bag	10
501210	Hand Brake Kit for all 2-Speed Models										Poly Bag	30
501133	Ratchet Repair Kit for 3,700 lbs. Capacity Models										Poly Bag	10
501135	Ratchet Spring for all 2-Speed Models										Poly Bag	100

\*\*Maximum Mechanical Advance - Based on first layer of recommended line on the drum. For maximum efficiency, use only the amount of line required.

\*\*\*Brake Kit 501210 available as option not furnished. Only winches that are shown to accommodate steel cable should be used with steel cable. Cable keeper kits are included with the winches specifying steel cable. Winches rated for steel cable have a larger drum hub to reduce or lessen chance of kinking or fraying.

## BRAKE WINCHES

- Fulton® self-activating automatic brake winches hold the load securely when the crank handle is released
- Drum hubs are 10 times the recommended cable size to maximize cable life
- Popular applications include construction light towers, grain augers, manual fork lifts, and boat lifts
- For especially demanding applications select models feature covered drums and gear trains, along with a dual ratchet system

 Compliant

5-YEAR LIMITED WARRANTY

5



**INDUSTRY LEADING CORROSION PROTECTION**

\* 600 hour salt spray rating per ASTM B117



143001

143100

143200

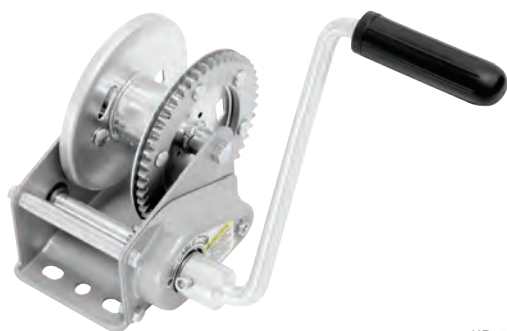
Part Number	Max Rated Line Pull		Max Cable Size Data (7 x 9 Galvanized Aircraft Cable)			Mechanical Data					Packaging	Master Carton
	1st Layer (lbs.)	Full Drum (lbs.)	Diameter (in.)	Drum Storage (ft.)	Test Strength (lbs.)	Gear Ratio	Handle Length (in.)	Drum Hub Diameter (in.)	Covered Gears	Cable Included		
143001	1,000 (454 kg)	500 (227 kg)	7/32 (5.5 mm)	50 (15 m)	5,600 (2540 kg)	4:1	11 (27.9 cm)	2-1/4 (57 mm)	No	No	Litho Box	6
143005	1,000 (454 kg)	500 (227 kg)	7/32 (5.5 mm)	50 (15 m)	5,600 (2540 kg)	4:1	11 (27.9 cm)	2-1/4 (57 mm)	Yes	No	Litho Box	6
143100	1,500 (680 kg)	700 (318 kg)	1/4 (6 mm)	70 (21 m)	7,000 (3175 kg)	5:1	11 (27.9 cm)	2-1/2 (63 mm)	No	No	Litho Box	4
143104	1,500 (680 kg)	700 (318 kg)	1/4 (6 mm)	70 (21 m)	7,000 (3175 kg)	5:1	11 (27.9 cm)	2-1/2 (63 mm)	Yes	No	Litho Box	4
143200	2,500 (1134 kg)	1,500 (680 kg)	5/16 (8 mm)	70 (21 m)	9,800 (4445 kg)	15.8:1	11 (27.9 cm)	3-1/8 (79 mm)	No	No	Litho Box	2
<b>Accessories</b>												
501101	Winch Handle, 11 in. Offset										Poly Bag	6
WC325 0100	Galvanized Cable and Hook, 3/16 in. x 25 ft., 4,200 lbs. Break Strength										Poly Bag	4
WC750 0100	Galvanized Cable and Hook, 7/32 in. x 50 ft., 5,600 lbs. Break Strength										Poly Bag	6
<b>Replacement Parts</b>												
501124	Gear Cover for 1,000 lbs. Capacity Models										Poly Bag	5
501130	Gear Cover for 1,500 lbs. Capacity Models										Poly Bag	5
501122	Friction Disc for 1,000 lbs. Capacity Models										Poly Bag	5
501115	Friction Disc for 1,500 lbs. Capacity Models										Poly Bag	5
501118	Pinion Shaft Kit for 1,500 lbs. Capacity Models										Poly Bag	5
501121	Pinion Shaft Kit for 2,500 lbs. Capacity Models										Poly Bag	5
501131	Intermediate Shaft Kit for 2,500 lbs. Capacity Models										Poly Bag	5
501125	Ratchet Repair Kit for 1,000 lbs. Capacity Models										Poly Bag	5
501117	Ratchet Repair Kit for 1,500 lbs. and 2,500 lbs. Capacity Models										Poly Bag	5
501001	Cable Keeper for all Models										Bulk	12

## BRAKE WINCHES

### PRO SERIES™ BRAKE WINCHES

- Self activating automatic brake
- Solid drum gear construction
- Covered braking system
- Enlarged drum size to extend cable life
- 8 in. handle length
- Passes all applicable SAE and ASAE standards

CE Compliant



KR10000301



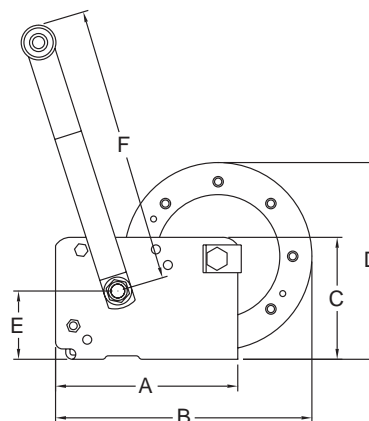
KR15000301

Part Number	Capacity (lbs.)	Handle Length (in.)	Gear Ratio	Cable Capacity (ft. x in.)	Covered Gears	Cable Included	Packaging	Master Carton
KR10000301	1,000	8.00	3:5:1	50 x 7/32	No	No	Boxed	6
KR15000301	1,500	8.00	5:1:1	50 x 7/32	No	No	Boxed	1
Accessories								
WC325 0100	Galvanized Cable and Hook, 3/16 in. x 25 ft., 4,200 lbs. Break Strength						Poly Bag	4
WC750 0100	Galvanized Cable and Hook, 7/32 in. x 50 ft., 5,600 lbs. Break Strength						Poly Bag	6
Replacement Parts								
500357	Handle Kit for Standard Economy Brake Winches						Bulk	30
500366	Cable Keeper for Standard Economy Brake Winches						Boxed	50

### BRAKE WINCH DIMENSIONS

- Dimensions not intended for Pro Series Brake Winches

Brake Winch Dimensions						
Capacity (lbs.)	A (in.)	B (in.)	C (in.)	D (in.)	E (in.)	F (in.)
1,000	5.25	7.46	3.69	5.89	1.90	11.00
1,500	6.56	9.23	4.39	7.08	2.46	11.00
2,500	8.63	11.13	5.60	7.13	2.08	11.00



NOTES:

1. Winch mounting hardware sold separately. Refer to instruction sheet for recommended bolt size and grade.
2. Fulton brand two-speed winches are designed for boat trailer and other pulling applications, which require the freewheeling feature of ratchet type winches. If moving loads requiring vertical lifting, or positive load control in both directions, choose a Fulton brake winch.
3. All Fulton brand winches are rated on the first layer of recommended rope, strap, or cable. The winch load capacity must be derated as additional layers are used. Derate the capacity 10% per additional layer of rope, strap, or cable.
4. Fulton brand winches are NOT designed to be human hoists and should never be operated when there are persons on, around, or under the load being moved.
5. Only winches that are shown to accommodate steel cable should be used with steel cable. Cable keeper kits are included with the winches specifying steel cable. Winches rated for steel cable have a larger drum hub to reduce or lessen chance of kinking or fraying.

## UTILITY WINCHES

BULLDOG™ Utility Duty Winches are compact, lightweight, and flexible, yet they're sturdy tools capable of handling a wide variety of applications with ease. They're always reliable and ready for action when you need to load a trailer, position cargo, or move a vehicle.

- Power in and power out for powerful retraction and rapid rope payout
- High-torque permanent magnet motor for a higher pull at a lower amp
- 3-stage planetary gearbox for reliable performance in tough conditions
- Lift or lower clutch lever for easy transition between gear engagement and free spooling
- Dual brakes include both automatic load-holding mechanical brake and slip-free motor dynamic brake for sure, confident control without slippage
- Integrated contactor assembly
- Circuit breakers automatically shut off the winch to prevent motor overheating



500400

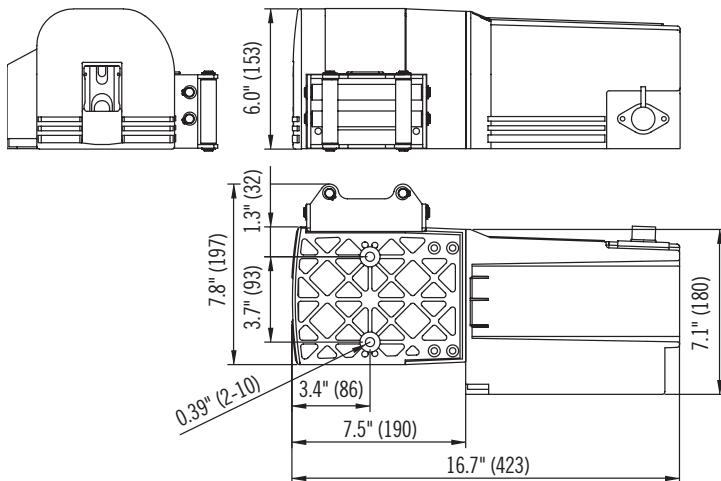
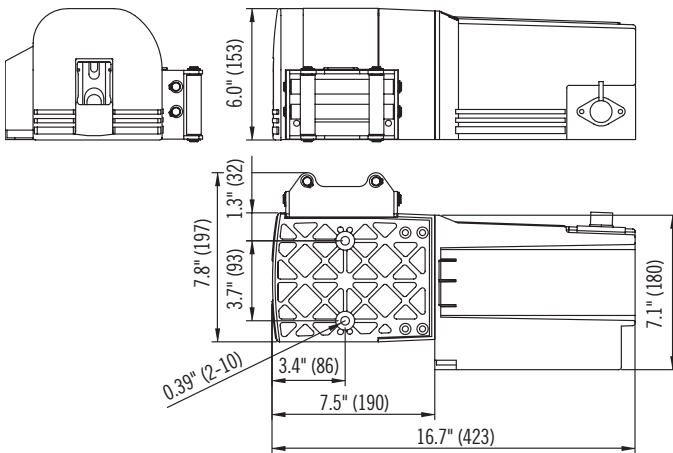
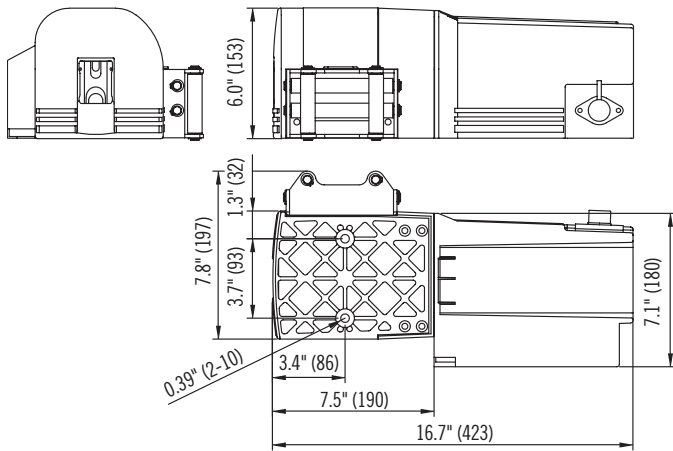


500600

Part Number	Motor	Rated Line Pull (lbs.)	Rope Diameter (in.)	Winch Weight (lbs.)	Gross Weight (lbs.)	Rope Length (ft.)	Rope Included	Remote Included	Packaging	Master Carton
500400	12V DC, 600 W, 0.8 HP	2,500 (1133 kg)	3/16 (4.8 mm)	27.44 (12.0 kg)	37.2 (16.0 kg)	50 (15.24 m)	Yes	Yes	Litho Box	1
500401	12V DC, 900 W, 1.2 HP	3,500 (1587 kg)	7/32 (5.5 mm)	27.44 (12.0 kg)	37.2 (16.0 kg)	50 (15.24 m)	Yes	Yes	Litho Box	1
500402	12V DC, 1200 W, 1.6 HP	4,500 (2041 kg)	1/4 (6.3 mm)	27.44 (12.0 kg)	37.2 (16.0 kg)	50 (15.24 m)	Yes	Yes	Litho Box	1
500600**	12V DC, 4.63 KW, 5.8 HP	9,000 (4082 kg)	21/64 (8.3 mm)	84.40 (38.3 kg)	88.85 (40.3 kg)	95 (28.96 m)	Yes	Yes	Litho Box	1
500601**	12V DC, 5.40 KW, 7.2 HP	12,000 (5443 kg)	13/32 (10.2 mm)	96.60 (43.8 kg)	101.00 (45.8 kg)	84 (25.60 m)	Yes	Yes	Litho Box	1
Accessories										
500527	3-Pin Wireless Remote								Boxed	10
500539	Roller Fairlead, 63mm								Boxed	24
500554	Tree Saver Kit, Includes: (1) Tree Saver Strap, (1) Pair Gloves, (1) Snatch Block and (1) Clevis, 9K								Boxed	5
500602	Snatch Block, 9K								Boxed	20
500607	Quick Disconnect, 175 amp								Boxed	50
6495	Winch Mounting Plate, 9K								Boxed	1

\*Limited lifetime warranty on mechanical parts. One year warranty on electrical components.

\*\*Limited 1 year warranty



### DC2500 PERFORMANCE DATA

• Utility winch 500400

Line Speed and Amp. Draw		
Line Pull (lbs. / kg)	Speed (fpm / mpm)	12V (amps)
No Load	16.4 / 5.0	30
1,000 / 454	11.0 / 3.5	80
2,000 / 907	7.5 / 2.3	150
2,500 / 1,134	4.2 / 1.3	200
Line Pull and Rope Capacity		
Layer of Rope	Pull by Layer (lbs. / kg)	Total Rope on Drum (ft. / m)
1st	2,500 / 1,134	10.2 / 3.1
2nd	2,149 / 975	22.0 / 6.7
3rd	1,885 / 885	35.5 / 10.8
4th	1,678 / 761	50.0 / 15.2

### DC3500 PERFORMANCE DATA

• Utility winch 500401

Line Speed and Amp. Draw		
Line Pull (lbs. / kg)	Speed (fpm / mpm)	12V (amps)
No Load	21.3 / 6.5	25
1,000 / 454	16.4 / 5.0	110
2,000 / 907	11.8 / 3.6	200
2,500 / 1,134	10.5 / 3.2	230
3,000 / 1,361	8.2 / 2.5	260
3,500 / 1,588	5.9 / 1.8	300
Line Pull and Rope Capacity		
Layer of Rope	Pull by Layer (lbs. / kg)	Total Rope on Drum (ft. / m)
1st	3,500 / 1,588	8.9 / 2.7
2nd	2,954 / 1,340	19.6 / 6.0
3rd	2,555 / 1,159	31.8 / 9.7
4th	2,251 / 1,021	45.7 / 13.9
5th	2,012 / 913	50.0 / 12.2

### DC4500 PERFORMANCE DATA

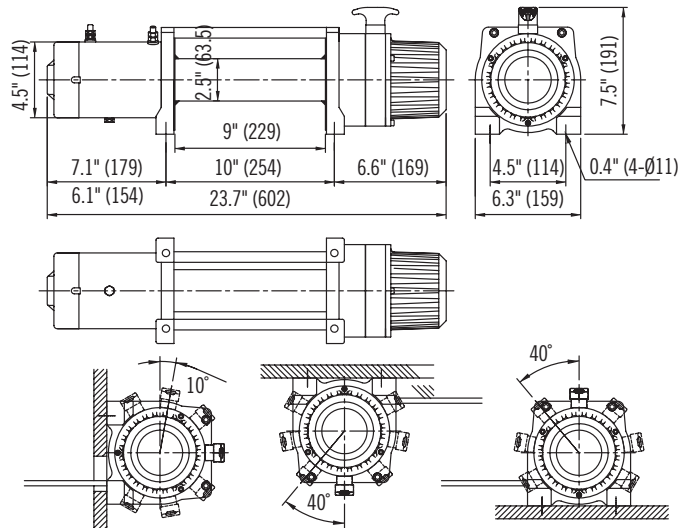
• Utility winch 500402

Line Speed and Amp. Draw		
Line Pull (lbs. / kg)	Speed (fpm / mpm)	12V (amps)
No Load	21.3 / 6.5	25
1,000 / 454	16.4 / 5.0	110
2,000 / 907	11.8 / 3.6	210
2,500 / 1,134	10.5 / 3.2	240
3,000 / 1,361	8.2 / 2.5	270
3,500 / 1,588	5.9 / 1.8	290
4,000 / 1,814	4.6 / 1.4	310
4,500 / 2,041	1.3 / 0.4	330
Line Pull and Rope Capacity		
Layer of Rope	Pull by Layer (lbs. / kg)	Total Rope on Drum (ft. / m)
1st	4,500 / 2,041	7.9 / 2.4
2nd	3,722 / 1,688	17.4 / 5.3
3rd	3,174 / 1,440	28.6 / 8.7
4th	2,766 / 1,255	41.4 / 12.6
5th	2,451 / 1,112	50.0 / 12.5



### DC9.0 PERFORMANCE DATA

• Utility winch 500600



#### Line Speed and Amp. Draw

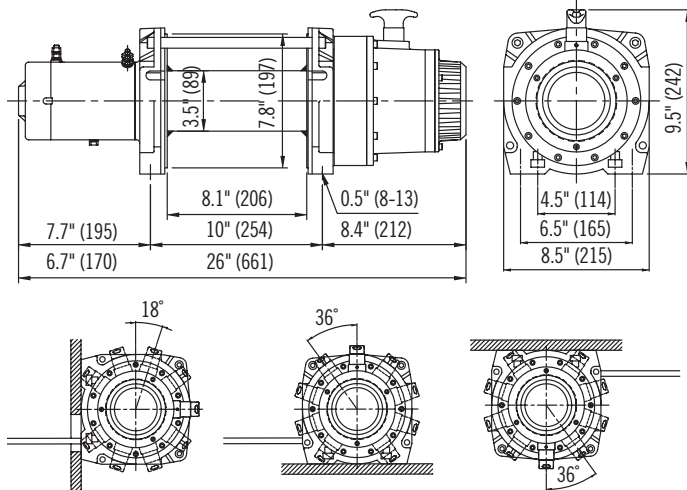
Line Pull (lbs. / kg)	Speed (fpm / mpm)	12V (amps)
No Load	44.0 / 13.4	55
2,000 / 907	15.0 / 4.6	110
4,000 / 1,814	11.0 / 3.4	200
6,000 / 2,722	9.0 / 2.7	230
9,000 / 4,082	6.4 / 2.0	350

#### Line Pull and Rope Capacity

Layer of Rope	Pull by Layer (lbs. / kg)	Total Rope on Drum (ft. / m)
1st	9,000 / 4,083	17.7 / 5.4
2nd	7,310 / 3,316	40.0 / 12.2
3rd	6,154 / 2,792	67.3 / 20.5
4th	5,314 / 2,410	82.0 / 25.0

### DC12.0 PERFORMANCE DATA

• Utility winch 500601



#### Line Speed and Amp. Draw

Line Pull (lbs. / kg)	Speed (fpm / mpm)	12V (amps)
No Load	27.0 / 8.3	60
4,000 / 1,814	8.6 / 2.6	200
8,000 / 3,629	5.8 / 1.7	310
10,000 / 4,536	4.4 / 1.4	370
12,000 / 5,443	4.0 / 1.2	440

#### Line Pull and Rope Capacity

Layer of Rope	Pull by Layer (lbs. / kg)	Total Rope on Drum (ft. / m)
1st	12,000 / 5,443	21.5 / 6.6
2nd	10,060 / 4,563	47.2 / 14.4
3rd	8,659 / 3,928	77.0 / 23.5
4th	7,601 / 3,448	110.9 / 33.8
5th	6,774 / 3,073	125.0 / 38.1

DISCONTINUED PRODUCTS



500630†



500403†



500424†

**LAST CHANCE**

**ELECTRIC WINCHES**

Part Number	Description	Substitute Part Number	Packaging	Master Carton
500630†	Utility Winch, 2,500 lbs. Line Pull Capacity, Includes Rope	500400	Litho Box	1
500631†	Utility Winch, 3,500 lbs. Line Pull Capacity, Includes Rope	500401	Litho Box	1
500632†	Utility Winch, 4,500 lbs. Line Pull Capacity, Includes Rope	5004002	Litho Box	1
500403†	Heavy Duty Winch, 6,000 lbs. Line Pull Capacity	500600	Litho Box	1
500423†	Heavy Duty Winch, 6,000 lbs. Line Pull Capacity, Includes Rope	500600	Litho Box	1
500404†	Heavy Duty Winch, 9,000 lbs. Line Pull Capacity	500600	Litho Box	1
500424†	Heavy Duty Winch, 9,000 lbs. Line Pull Capacity, Includes Rope	500600	Litho Box	1
500405†	Heavy Duty Winch, 12,000 lbs. Line Pull Capacity	500601	Litho Box	1
500406†	Heavy Duty Winch, 12,000 lbs. Line Pull Capacity	500601	Litho Box	1
500426†	Heavy Duty Winch, 12,000 lbs. Line Pull Capacity, Includes Rope	500601	Litho Box	1
500407†	Heavy Duty Winch, 15,000 lbs. Line Pull Capacity	-	Litho Box	1
500408†	Heavy Duty Winch, 18,000 lbs. Line Pull Capacity	-	Litho Box	1

**LAST CHANCE**

**HYDRAULIC WINCHES**

Part Number	Description	Substitute Part Number	Packaging	Master Carton
500413†	Hydraulic Winch, 8,000 lbs. Line Pull Capacity	-	Litho Box	1
500414†	Hydraulic Winch, 12,000 lbs. Line Pull Capacity	-	Litho Box	1
500415†	Hydraulic Winch, 15,000 lbs. Line Pull Capacity	-	Litho Box	1



500413†

**LAST CHANCE**

**ELECTRIC HOISTS**

Part Number	Description	Substitute Part Number	Packaging	Master Carton
500410†	Electric Hoist, 650 lbs. Line Pull Capacity	-	Litho Box	1
500411†	Electric Hoist, 800 lbs. Line Pull Capacity	-	Litho Box	1
500412†	Electric Hoist, 1,200 lbs. Line Pull Capacity	-	Litho Box	1



500411†

† = Available while supplies last

 **LAST CHANCE**

## ELECTRIC WINCH AND HOIST ACCESSORIES



500517†



500529†



500540†



500603†



500553†

Part Number	Description	Substitute Part Number	Packaging	Master Carton
500516†	Wire Rope, 5/16 in. x 70 ft.	-	Display Bag	4
500517†	Synthetic Rope, 8mm x 80 ft.	-	Boxed	4
500520†	Galvanized Aircraft Wire Rope, A7 x 19, 3/8 in. x 82 ft.	-	Display Bag	3
500526†	6-Pin Wireless Remote	-	Boxed	10
500528†	3-Pin Wired Remote	-	Boxed	10
500529†	Wired Remote	-	Boxed	10
500530†	6-Pin Wired Remote	-	Boxed	10
500522†	Galvanized Aircraft Wire Rope, A7 x 19, 3/8 in. x 125 ft.	-	Display Bag	3
500524†	Hawse Fairlead, 112mm	-	Boxed	26
500525†	Hawse Fairlead, 184mm	-	Boxed	29
500536†	Cable Tensioner	-	Display Bag	1
500540†	Roller Fairlead, 190mm	-	Boxed	6
500541†	Roller Fairlead, 210mm	-	Boxed	3
500542†	Roller Fairlead, 180mm	-	Boxed	3
500549†	Recovery Dampener	-	Boxed	20
500603†	Snatch Block, 15K	-	Boxed	10
500553†	Winch Mount, 9K	-	Boxed	1
500602†	Snatch Block, 9K	-	Boxed	20
500603†	Snatch Block, 15K	-	Boxed	10
500604†	Bow Clevis, 4.75 Ton	-	Boxed	25
500605†	"D" Clevis, 4.75 Ton	-	Boxed	25
500606†	Quick Disconnect, 50 amp	-	Boxed	100
500608†	Synthetic Rope, 10mm x 100 ft.	-	Boxed	6
500609†	Synthetic Rope, 6mm x 50 ft.	-	Boxed	25

† = Available while supplies last



# TRAILER LIGHTING

In 1934 the Wesbar® family of vehicle lighting and electrical products made its debut. Since that time, the brand has been a key ingredient to the success of some of the world’s most legendary agricultural and industrial manufacturers. With offerings of both incandescent and LED lighting for vehicles and trailers, plus an extensive line of 12 volt electrical connection products, Wesbar® has continued to provide an all-encompassing selection of options for agricultural, industrial, marine, recreation and utility manufacturers. Wesbar® products are made waterproof, sealed, submersible and shock-resistant; everything you would expect when working in extreme environments.

## LED TAIL LIGHTS

- LED Tail Light Module Kits . . . . . M-3
- LED Tail Lights . . . . . M-4 - M-12
- Waterproof LED Tail Lights . . . . . M-8 - M-12
- Submersible LED Tail Lights . . . . . M-11 - M-12

## INCANDESCENT TAIL LIGHTS

- Incandescent Tail Lights . . . . . M-13 - M-22
- Waterproof Tail Lights . . . . . M-19 - M-21
- Submersible Tail Lights . . . . . M-21 - M-22

## LED SIDE MARKER LIGHTS

- LED Waterproof Courtesy Lights . . . . . M-23
- Waterproof LED Side Marker Lights . . . . . M-23 - M-26
- LED Side Marker Lights . . . . . M-27 - M-29

## INCANDESCENT SIDE MARKER LIGHTS

- Waterproof Courtesy Lights . . . . . M-22 - M-23
- Waterproof Side Marker Lights . . . . . M-29 - M-32
- Side Marker Lights . . . . . M-33 - M-36

## ID LIGHT BARS

- Waterproof ID Light Bars . . . . . M-38 - M-39
- LED ID Light Bars . . . . . M-38

## AUXILIARY LIGHTS

- License Plate Lights . . . . . M-39 - M-41
- Reflectors . . . . . M-41 - M-42
- Utility Lights . . . . . M-42 - M-44
- Bulbs . . . . . M-44

## AGRICULTURAL LIGHTS

- LED Heavy Duty AG Lights . . . . . M-45
- LED Economy AG Lights . . . . . M-46
- Heavy Duty AG Light Kits . . . . . M-47
- Economy AG Light Kits . . . . . M-48

## DISCONTINUED PRODUCTS . . . . . M-51 - M-52

## TECHNICAL INFORMATION . . . . . M-53 - M-58

# FEATURED

## LED SURFACE MOUNT DOUBLE TAIL LIGHTS #84 / #85 SERIES

- These LED double lights are available for surface mounting in vertical or horizontal applications
- Stylish bases with radius corners come in either black or chrome plated finish
- All lenses meet FMVSS/CMVSS 108 requirements
- Reflex is included on backup lens
- Pre-wired (supply and ground) for easy installation
- See page M-5 for additional information



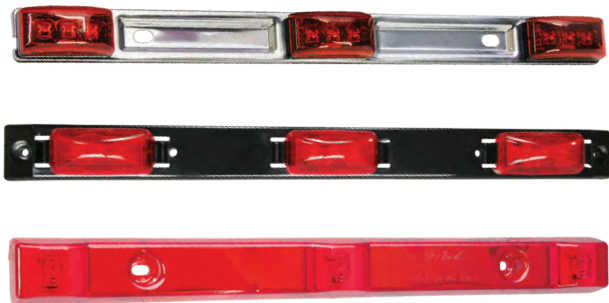
## WATERPROOF LED OVER 80 IN. WRAP-AROUND TAIL LIGHTS

- Waterproof surface mount tail lights
- Wrap-around design eliminates the need for rear side marker
- These lights meet FMVSS/CMVSS 108 requirements
- Plug-in 12 in. harness with 2-Way flat connector and ring terminal ground wire
- Stainless steel mounting hardware included
- See page M-8 for additional information



## WATERPROOF LED ID LIGHT BARS

- Three waterproof LED red lights
- Meets FMVSS/CMVSS 108 requirements for vehicles 80 in. wide or wider
- Pre-wired (supply and ring terminal ground) for easy installation
- Available with stainless steel and black poly-carbonate bases
- Stud mounting
- See page M-38 for additional information



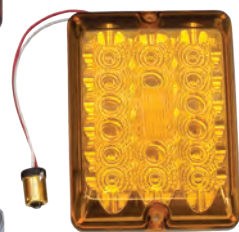
## LED HEAVY DUTY AG LIGHTS

- Available in single and dual units, these lights meet all ASABE S279.15 lighting requirements including 4cp to side on amber lens
- Dual lights designed for right hand and left hand horizontal mounting
- Rugged external housing and lens design
- Same mounting foot print hardware and electrical connections as incandescent equivalent
- Brake functions wired with SQ-4 plug
- See page M-45 for additional information





47-84-410



47-84-412



47-84-026

## LED MODULE KITS #84/85/86 SERIES TAIL LIGHTS

- LED module kit for existing #84 series tail lights
- Remove the bulb and lens, replace with new LED module and instantly have LED red stop/tail/turn lights, amber turn lights, clear backup lights or clear backup with reflex lights
- Installation can be completed in minutes with only a screwdriver required

Part Number	Description	Brand	Packaging	Master Carton
42-84-410	LED Stop/Tail/Turn Light Lens Module Red with Bulb Socket Plug	Bargman	Clamshell	6
47-84-410	LED Stop/Tail/Turn Light Lens Module Red with Bulb Socket Plug	Bargman	Display Bag	25
42-84-412	LED Turn Light Lens Module Amber with Bulb Socket Plug	Bargman	Clamshell	6
47-84-412	LED Turn Light Lens Module Amber with Bulb Socket Plug	Bargman	Display Bag	25
47-84-026	LED Backup Light Lens Module Clear with Bulb Socket Plug, Lens Mounted Vertical	Bargman	Bulk	50

## ENHANCED HEIGHT INCANDESCENT LENS #84/85/86 SERIES TAIL LIGHTS

- Enhanced height incandescent backup lens only for #84/85/86 series tail lights



47-84-711

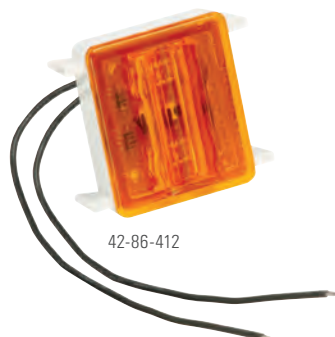


47-84-712

Part Number	Description	Brand	Packaging	Master Carton
47-84-711	Enhanced Height Incandescent Backup Lens Only, Red Reflex with Clear Center, Red Border	Bargman	Bulk	10
48-84-711	Enhanced Height Incandescent Backup Lens Only, Red Reflex with Clear Center, Red Border	Bargman	Display Bag	25
47-84-712	Enhanced Height Incandescent Lens Only, Red Reflex with Red Center, Red Border	Bargman	Bulk	10



42-86-410



42-86-412

## LED MODULE KIT #86 SERIES WRAP-AROUND CLEARANCE/SIDE MARKER LIGHTS

- LED module kit for existing #86 series wrap-around clearance/side marker lights
- Remove and discard only the wedge base socket and bulb, replace with a new LED module and instantly have LED clearance/side marker lights

Part Number	Description	Brand	Packaging	Master Carton
42-86-410	LED Wrap-Around Clearance Light Module, Red	Bargman	Clamshell	12
42-86-412	LED Wrap-Around Clearance Light Module, Amber	Bargman	Clamshell	12

*NOTE: Tail Lights, Clearance/Side Marker Lights and ID Light Bars approved for trailer accessory and towing application use. Contact your Horizon Global Representative for details.*



47-86-101



47-84-420

## LED SINGLE TAIL LIGHT #86 SERIES

- Meets FMVSS/CMVSS 108 requirements
- All include 16 gauge supply and ground wiring
- 5-13/16 in. x 4-3/8 in. x 2-7/8 in.

Part Number	Description	Brand	Packaging	Master Carton
47-86-101	LED Stop/Tail/Turn with Black Base	Bargman	Bulk	10
42-86-101	LED Stop/Tail/Turn with Black Base	Bargman	Clamshell	6
48-86-101	LED Stop/Tail/Turn with Black Base	Bargman	Display Bag	25
Replacement Parts				
47-84-420	LED Stop/Tail/Turn Light Lens Module Red with Wires	Bargman	Display Bag	25



47-54-001

## LED NARROW TAIL LIGHT #54 SERIES

- Designed for narrow rail surface mounting, 3 diodes
- Built-in reflex reflectors and mounting holes with stainless steel grommets
- Meets FMVSS/CMVSS 108 requirements
- Pre-wired (supply and ground) for easy installation
- 15.84 in. x 2.29 in. - mounting holes on 14.49 in. centers

Part Number	Description	Brand	Packaging	Master Carton
47-54-001	Red Stop/Tail/Turn	Bargman	Bulk	50



54200-015

## LED NARROW RED TAIL LAMP

- Meets FMVSS/ CMVSS 108 requirements
- 14.1 in. x 1 in.

Part Number	Description	Brand	Packaging	Master Carton
54200-015	Narrow Red LED Low and High Function Tail Light	Wesbar	Boxed	100
54200-016	Chrome Bezel for #54200-015	Wesbar	Boxed	144

### BARGMAN #84/85/86 LED LIGHTS

LED Tail Lights and Module Kit for the most popular RV Tail Light in the World! Purchase as fully-assembled complete tail lights for installation or purchase a LED Upgrade Module. The Module Kit will allow you to quickly and easily field upgrade your installed Bargman Model #84/85/86 Tail Lights or Model #86 Wrap-Around Marker/Clearance lights from Incandescent to LED.

#### MODULE KITS:

These kits are designed to allow RV and Trailer owners to upgrade their Bargman #84/ 85/86 Tail Lights or #86 Wrap-Around Marker/Clearance lights from Incandescent to LED - quickly and safely. Due to the many configurations of these Bargman light models, upgrade modules are sold to upgrade only one module at a time.

NOTE: For regulatory purposes, installation of any competitive LED Upgrade Module designed for the Bargman #84/85/86 Tail Lights will immediately void all warranty on the entire Bargman tail light.

### #84 SERIES TAIL LIGHTS LED UPGRADE MODULES

The end-user will simply count the number of red stop/tail/turn lights, amber turn lights or backup lights on the vehicle and order the appropriate number of the desired LED upgrade modules. Then simply remove the incandescent lens and bulb and plug the LED module (LED circuit board with connector and lens) into the existing bulb socket and mount, with the existing screws, to the holes in the existing light base.

### #86 SERIES MARKER LIGHT LED UPGRADE MODULE

The end-user will simply count the number of wrap-around clearance/side marker lights on the vehicle and order the appropriate number of the desired LED upgrade kits. Then simply remove the lens and bulb and plug the LED module (LED circuit board) into the existing bulb socket and re-install the existing lens.

WARNING: All Bargman #84/85/86 Tail Lights and #86 Wrap-Around Marker/Clearance lights meet FMVSS/CMVSS 108 requirements. WHEN UPGRADING EXISTING LIGHTS FROM INCANDESCENT TO LED, TO RETAIN FMVSS/ CMVSS 108 REQUIREMENTS, SPECIAL CARE MUST BE GIVEN TO REPLACE EXISTING LENS (OR TO ASSEMBLE MODULE) WITH A LED MODULE THAT WILL PERFORM THE EXACT SAME FUNCTION.



47-84-610



47-85-611

### LED SURFACE MOUNT DOUBLE TAIL LIGHTS #84/85 SERIES

- Available for surface mounting in vertical or horizontal applications
- Stylish bases with radius corners come in either black or chrome plated finish
- All lenses meet FMVSS/CMVSS 108 requirements
- Reflex is included on backup lens
- Pre-wired (supply and ground) for easy installation
- 10-1/4 in. x 7-1/4 in. x 1-7/8 in.

Part Number	Description	Brand	Packaging	Master Carton
47-84-610	LED Red Stop/Tail/Turn, LED Red Stop/Tail/Turn with Black Base	Bargman	Bulk	5
47-85-611	LED Red Stop/Tail/Turn, LED Red Stop/Tail/Turn with Chrome Base	Bargman	Bulk	5
Replacement Parts				
47-84-420	LED Stop/Tail/Turn Light Lens Module Red with Wires	Bargman	Display Bag	25

NOTE: Tail Lights, Clearance/Side Marker Lights and ID Light Bars approved for trailer accessory and towing application use. Contact your Horizon Global Representative for details.



47-84-103



47-84-104



47-84-420

### LED RECESSED TRIPLE LONG TAIL LIGHTS #84/85 SERIES

- Incorporates all of the features of the LED Recessed Triple Tail Light #84/85 series with a special lens placement that allows the light to be utilized for a narrow mounting
- Cutout: 16-1/8 in. x 3-5/8 in.
- Overall: 18 in. x 5-5/16 in. x 1-1/4 in. with 1 in. depth

Part Number	Description	Brand	Packaging	Master Carton
47-84-103	LED Red Stop/Tail/Turn, Incandescent Backup, LED Red Stop/Tail/Turn with Black Base	Bargman	Bulk	5
47-84-104	LED Red Stop/Tail/Turn, Incandescent Backup, LED Amber Turn with Black Base	Bargman	Bulk	5
Replacement Parts				
47-84-420	LED Stop/Tail/Turn Light Lens Module Red with Wires	Bargman	Display Bag	25
47-84-711	Enhanced Height Incandescent Backup Lens Only, Red Reflex with Clear Center, Red Border	Bargman	Bulk	10
48-84-711	Enhanced Height Incandescent Backup Lens Only, Red Reflex with Clear Center, Red Border	Bargman	Display Bag	25
47-84-712	Enhanced Height Incandescent Lens Only, Red Reflex with Red Center, Red Border	Bargman	Bulk	10

NOTE: Tail Lights, Clearance/Side Marker Lights and ID Light Bars approved for trailer accessory and towing application use. Contact your Horizon Global Representative for details.



## LED RECESSED DOUBLE TAIL LIGHTS #84/85 SERIES

- LED double lights for either vertical or horizontal mounting
- Radius corners
- Black, white and colonial white bases
- Clear LED or incandescent backup light lenses are surrounded by a Class "A" red reflex lens. Incandescent lens, red with red insert, is for clearance/side marker application only
- All lenses meet FMVSS/CMVSS 108 requirements
- Pre-wired (supply and ground) for easy installation
- Cutout: 8-7/16 in. x 5-1/2 in.
- Overall: 9-13/16 in. x 6-15/16 in. x 2-5/16 in. with 1 in. depth

47-84-527



47-84-001



47-84-540



47-84-008



47-84-529



47-84-808



Part Number	Description	Brand	Packaging	Master Carton
47-84-527	LED Red Stop/Tail/Turn, LED Red Stop/Tail/Turn with Black Base	Bargman	Bulk	5
48-84-527	LED Red Stop/Tail/Turn, LED Red Stop/Tail/Turn with Black Base	Bargman	Display Bag	5
47-84-001	LED Red Stop/Tail/Turn, Incandescent Backup with Colonial White Base	Bargman	Bulk	5
47-84-540	LED Red Stop/Tail/Turn, Incandescent Backup with White Base	Bargman	Bulk	5
47-84-008	LED Red Stop/Tail/Turn, Incandescent Backup with Black Base	Bargman	Bulk	5
48-84-008	LED Red Stop/Tail/Turn, Incandescent Backup with Black Base	Bargman	Display Bag	5
47-84-529	LED Red Stop/Tail/Turn, Incandescent Red with Red Insert (Clearance/Side Marker Application Only) with Black Base	Bargman	Bulk	5
47-84-808	LED Red Stop/Tail/Turn, Incandescent Backup with Black Base, 12 in. 4/Conductor Cord with 4-Way Square Connector	Bargman	Bulk	20
<b>Replacement Parts</b>				
47-84-420	LED Stop/Tail/Turn Light Lens Module Red with Wires	Bargman	Display Bag	25
47-84-711	Enhanced Height Incandescent Backup Lens Only, Red Reflex with Clear Center, Red Border	Bargman	Bulk	10
48-84-711	Enhanced Height Incandescent Backup Lens Only, Red Reflex with Clear Center, Red Border	Bargman	Display Bag	25
47-84-712	Enhanced Height Incandescent Lens Only, Red Reflex with Red Center, Red Border	Bargman	Bulk	10

NOTE: Tail Lights, Clearance/Side Marker Lights and ID Light Bars approved for trailer accessory and towing application use. Contact your Horizon Global Representative for details.



47-84-530



47-84-009



47-85-002



47-84-005



47-85-004

## LED RECESSED TRIPLE TAIL LIGHTS #84/85 SERIES

- LED triple lights for either vertical or horizontal mounting
- Radius corners
- Bases in black, white, colonial white and chrome plated finish
- Clear LED or incandescent backup light lenses surrounded by a Class "A" red reflex lens
- Incandescent lens, red with red insert, for clearance/side marker application only
- Lenses meet FMVSS/CMVSS 108 requirements
- Pre-wired (supply and ground) for easy installation
- Cutout: 12-11/16 in. x 5-1/2 in.
- Overall: 14-1/16 in. x 6-15/16 in. x 1-1/4 in. with 1 in. depth

Part Number	Description	Brand	Packaging	Master Carton
47-84-530	LED Red, LED Red Stop/Tail/Turn, Incandescent Backup with White Base	Bargman	Bulk	5
48-84-009	LED Red, LED Red Stop/Tail/Turn, Incandescent Backup with Black Base	Bargman	Display Bag	5
47-84-009	LED Red, LED Red Stop/Tail/Turn, Incandescent Backup with Black Base	Bargman	Bulk	5
47-85-002	LED Red, LED Red Stop/Tail/Turn, Incandescent Backup with Chrome Base	Bargman	Bulk	5
47-84-005	LED Red Stop/Tail/Turn, LED Amber Turn, Incandescent Backup with Black Base	Bargman	Bulk	5
47-85-004	LED Red Stop/Tail/Turn, LED Amber Turn, Incandescent Backup with Chrome Base	Bargman	Bulk	10
Replacement Parts				
47-84-420	LED Stop/Tail/Turn Light Lens Module Red with Wires	Bargman	Display Bag	25
47-84-711	Enhanced Height Incandescent Backup Lens Only, Red Reflex with Clear Center, Red Border	Bargman	Bulk	10
48-84-711	Enhanced Height Incandescent Backup Lens Only, Red Reflex with Clear Center, Red Border	Bargman	Display Bag	25
47-84-712	Enhanced Height Incandescent Lens Only, Red Reflex with Red Center, Red Border	Bargman	Bulk	10

NOTE: Tail Lights, Clearance/Side Marker Lights and ID Light Bars approved for trailer accessory and towing application use. Contact your Horizon Global Representative for details.



271574



271575



407540

## WATERPROOF LED OVER 80 IN. 3X8 LOW PROFILE TAIL LIGHTS

- Meets FMVSS/CMVSS 108 requirements for trailers over 80 in. wide when properly mounted
- Includes stainless steel mounting hardware
- Includes 3-Wire plug-in harness with 12 in. wire leads and 7 in. ring terminal ground
- Kit comes complete with two low profile tail lights, 25 ft. trailer wiring harness cable with molded 4-Way plug, 4 ft. 4-Wire car wiring harness cable with molded 4-Way plug and license plate bracket
- 8 in. x 3.5 in. x 3 in.

Part Number	Description	Brand	Packaging	Master Carton
271574	7-Function, Right/Curbside	Wesbar	Bulk	24
407530	7-Function, Right/Curbside	Wesbar	Bulk	12
271575	8-Function, Left/Roadside	Wesbar	Bulk	24
407535	8-Function, Left/Roadside	Wesbar	Bulk	12
31-407540	Trailer Light Kit	Bargman	Clamshell	6
407540	Trailer Light Kit	Wesbar	Clamshell	4

### Replacement Parts

40-00-004	3 Wire 90° Pigtail with 12 in. Wire Lead	Bargman	Bulk	100
719063	3 Wire 90° Pigtail with 12 in. Wire Lead	Wesbar	Display Bag	12
003201	License Plate Bracket	Wesbar	Bulk	200
003211	License Plate Bracket	Wesbar	Display Bag	24
54504-001	Protective Tail Light Bracket	Wesbar	Bulk	36
002301	4 ft. Wiring Harness with 4-Way Flat Car End	Wesbar	Bulk	1
707275	4 ft. Wiring Harness with 4-Way Flat Car End	Wesbar	Clamshell	12
108825	25 ft. Wiring Harness with 4-Way Flat Trailer End	Wesbar	Bulk	50
707261	25 ft. Wiring Harness with 4-Way Flat Trailer End	Wesbar	Clamshell	6



271594



271595

## WATERPROOF LED OVER 80 IN. WRAP-AROUND TAIL LIGHTS



- Waterproof surface mount tail lights
- Wrap-around design eliminates the need for rear side marker
- Meets FMVSS/CMVSS 108 requirements
- Plug-in 12 in. harness with 2-Way flat connector and ring terminal ground wire
- Stainless steel mounting hardware included
- 7.53 in. x 3.48 in. x 3.13 in.

Part Number	Description	Brand	Packaging	Master Carton
271594	7-Function, Right/Curbside	Wesbar	Bulk	12
281594	7-Function, Right/Curbside	Wesbar	Clamshell	6
271595	8-Function, Left/Roadside	Wesbar	Bulk	12
281595	8-Function, Left/Roadside	Wesbar	Clamshell	6
281500	Wrap-Around Trailer Light Kit with 25 ft. Wire Harness	Wesbar	Litho Box	2

### Replacement Parts

54504-001	Protective Tail Light Bracket	Wesbar	Bulk	36
-----------	-------------------------------	--------	------	----

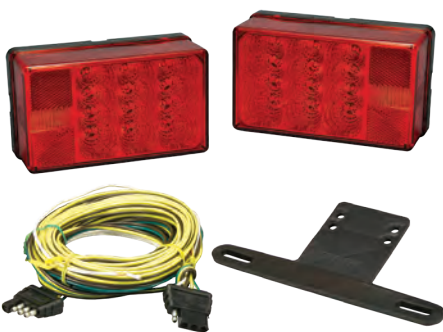
LED TAIL LILGHTS



271584



271585



407560



47-01-031



54200-012



54200-018

**WATERPROOF LED OVER 80 IN. 4X6 LOW PROFILE TAIL LIGHTS**



- Unique, compact size and shape allows these waterproof lights to fit where space is limited
- Meets FMVSS/CMVSS 108 requirements for trailers over 80 in. wide when properly mounted
- Includes stainless steel mounting hardware
- Kit comes complete with two low profile tail lights, 25 ft. trailer wiring harness cable with molded 4-flat plug, 4 ft. 4-Wire car wiring harness cable with molded 4-flat plug and license plate bracket
- 6 in. x 3-1/2 in. x 2-1/4 in.

Part Number	Description	Brand	Packaging	Master Carton
271584	7-Function, Right/Curbside	Wesbar	Bulk	12
271584-01	7-Function, Right/Curbside with 3 Wire Pigtail	Wesbar	Bulk	12
407550	7-Function, Right/Curbside with 3 Wire 90° Pigtail	Wesbar	Clamshell	6
271585	8-Function, Left/Roadside	Wesbar	Bulk	12
271585-01	8-Function, Left/Roadside with 3 Wire Pigtail	Wesbar	Bulk	12
407555	8-Function, Right/Curbside with 3 Wire 90° Pigtail	Wesbar	Clamshell	6
31-407560	Trailer Light Kit	Bargman	Clamshell	12
407560	Trailer Light Kit	Wesbar	Clamshell	6
Replacement Parts				
40-00-004	3 Wire 90° Pigtail with 12 in. Wire Lead	Bargman	Bulk	100
719063	3 Wire 90° Pigtail with 12 in. Wire Lead	Wesbar	Display Bag	12
003201	License Plate Bracket	Wesbar	Bulk	200
003211	License Plate Bracket	Wesbar	Display Bag	24
54504-001	Protective Tail Light Bracket	Wesbar	Boxed	36
002301	4 ft. Wiring Harness with 4-Way Flat Car End	Wesbar	Bulk	300
707275	4 ft. Wiring Harness with 4-Way Flat Car End	Wesbar	Clamshell	12
108825	25 ft. Wiring Harness with 4-Way Flat Trailer End	Wesbar	Bulk	50
707261	25 ft. Wiring Harness with 4-Way Flat Trailer End	Wesbar	Clamshell	6

**WATERPROOF LED 4 IN. ROUND TAIL LIGHTS**



- Meets FMVSS/CMVSS 108 requirements

Part Number	Description	Brand	Packaging	Master Carton
47-01-031	Red Stop/Tail/Turn Light with Grommet with Pigtail	Bargman	Display Bag	25
54200-012	Clear Lens LED Tail Lamp with Mounting Flange	Bargman	Bulk	100
54200-018	Amber Lens LED Turn Lamp	Wesbar	Bulk	10
Replacement Parts				
47-01-001	Stop/Tail/Turn Light 4 in. Round Red	Bargman	Bulk	10
40-00-006	Pigtail	Bargman	Bulk	100
40-01-020	4 in. Round Grommet	Bargman	Bulk	100

54004



## WATERPROOF LED 6 IN. OVAL SURFACE FLANGE MOUNT TAIL LIGHTS

- Featuring LED Technology
- Waterproof
- Meets FMVSS/CMVSS 108 requirements
- Surface mounting with pre-wired supply and ring terminal ground for easy installation
- 7.50 in. x 3.28 in. x 0.82 in.



50-767751



40-767758



Part Number	Description	Brand	Packaging	Master Carton
54004	Red Stop/Tail/Turn with Black Flange with Chrome Trim Snap Ring	Wesbar	Clamshell	6
50-767751	Red Stop/Tail/Turn with Black Flange	Bargman	Bulk	10
50-767752	Red Supplemental Center High Mount Stop Lamp with Black Flange	Bargman	Bulk	10
40-767758	Amber Turn with Black Flange	Wesbar	Bulk	10
Replacement Parts				
85-767010	Chrome Trim Snap Ring	Bargman	Clamshell	20

NOTE: Tail Lights, Clearance/Side Marker Lights and ID Light Bars approved for trailer accessory and towing application use. Contact your Horizon Global Representative for details.

47-06-034



## WATERPROOF LED 6 IN. OVAL GROMMET MOUNT TAIL LIGHTS

- Featuring LED Technology
- Waterproof
- Meets FMVSS/CMVSS 108 requirements
- Lights are mounting-orientation specific
- Mounting bracket of 11 gauge steel available separately
- 6-1/2 in. x 2-5/16 in. x 7/8 in.



47-06-004



401591



108119



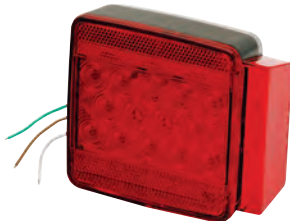
Part Number	Description	Brand	Packaging	Master Carton
47-06-034	Red Stop/Tail/Turn Light Horizontal Mount with Grommet with 90° Pigtail	Bargman	Display Bag	25
Replacement Parts				
47-06-004	Red Stop/Tail/Turn Light Horizontal Mount	Bargman	Bulk	25
47-06-404	Red Stop/Tail/Turn Light Horizontal Mount	Bargman	Display Bag	25
401584	Red Stop/Tail/Turn Light Horizontal Mount	Wesbar	Clamshell	3
40-00-003	3 Wire Pigtail with 12 in. Wire Lead	Bargman	Bulk	100
40-00-004	3 Wire 90° Pigtail with 12 in. Wire Lead	Bargman	Bulk	100
719063	3 Wire 90° Pigtail with 12 in. Wire Lead	Wesbar	Display Bag	12
40-06-020	6 in. Oval Grommet	Bargman	Bulk	25
416088	6 in. Oval Grommet	Wesbar	Display Bag	12
108119	6 in. Oval Mounting Bracket	Wesbar	Bulk	20
106873	6 in. Oval Mounting Bracket	Wesbar	Display Bag	12
401591	6 in. Oval Grommet and 3 Wire 90° Pigtail	Wesbar	Display Label	6



Wet Location Lighting Products



273006



273056



287512



54006



273561



273564



273565

## SUBMERSIBLE LED UNDER 80 IN. COMBINATION TAIL LIGHTS



- Ideal for boat and PWC trailers less than 80 in. wide
- Meets FMVSS/CMVSS 108 requirements
- Stud mounted using 2 in. O.C. industry standard stud configuration
- Pre-wired (supply and ground) for easy installation, 5.12 in. x 4.50 in. x 1.85 in. with 0.86 in. depth
- Kit comes complete with two low profile tail lights, 25 ft. trailer wiring harness cable with molded 4-flat plug, 4 ft. four wire car wiring harness cable with molded 4-Way plug and license plate bracket

Part Number	Description	Brand	Packaging	Master Carton
273006	7-Function, Left/Roadside	Wesbar	Bulk	6
283006	7-Function, Left/Roadside	Wesbar	Clamshell	6
273056	6-Function, Right/Curbside	Wesbar	Bulk	6
283056	6-Function, Right/Curbside	Wesbar	Clamshell	6
287512	Trailer Light Kit with 25 ft. Wire Harness	Wesbar	Clamshell	2
Replacement Parts				
54504-001	Protective Tail Light Bracket	Wesbar	Boxed	36

NOTE: Tail Lights, Clearance/Side Marker Lights and ID Light Bars approved for trailer accessory and towing application use. Contact your Horizon Global Representative for details.

## WATERPROOF LED 6 IN. OVAL GROMMET MOUNT TAIL LIGHTS



- Featuring LED Technology
- 10 diodes
- Waterproof
- Meets FMVSS/CMVSS 108 requirements
- Approved for vertical or horizontal mounting
- Grommet, 3 prong wiring pigtail and 11 gauge steel mounting bracket available separately, 6.42 in. x 2.28 in. x 1 in.

Part Number	Description	Brand	Packaging	Master Carton
54006	Red Stop/Tail/Turn Light with Grommet with 3 Wire 90° Pigtail	Wesbar	Clamshell	6
273561	Red Stop/Tail/Turn Light	Wesbar	Bulk	20
283561	Red Stop/Tail/Turn Light	Wesbar	Clamshell	6
273564	Amber Turn Light	Wesbar	Bulk	20
283564	Amber Turn Light	Wesbar	Clamshell	6
273565	White Backup Light	Wesbar	Clamshell	20
283565	White Backup Light	Wesbar	Clamshell	6
Replacement Parts				
40-00-003	3 Wire Pigtail with 12 in. Wire Lead	Bargman	Bulk	100
40-00-004	3 Wire 90° Pigtail with 12 in. Wire Lead	Bargman	Bulk	100
719063	3 Wire 90° Pigtail with 12 in. Wire Lead	Wesbar	Display Bag	12
40-06-020	6 in. Oval Grommet	Bargman	Bulk	25
416088	6 in. Oval Grommet	Wesbar	Display Bag	12
108119	6 in. Oval Mounting Bracket	Wesbar	Bulk	20
106873	6 in. Oval Mounting Bracket	Wesbar	Bulk	12
401591	6 in. Oval Grommet and 3 Wire 90° Pigtail	Wesbar	Display Label	6



## SUBMERSIBLE LED OVER 80 IN. COMBINATION TAIL LIGHTS

- Ideal for boat and PWC trailers
- Meets FMVSS/CMVSS 108 requirements for trailers over 80 in. wide when properly mounted
- Stud mounted using 2 in. O.C. industry standard stud configuration
- Pre-wired (supply and ground) for easy installation, 5.48 in. x 4.50 in. x 1.85 in. with 0.86 in. depth

273008



273058



Part Number	Description	Brand	Packaging	Master Carton
273008	8 Function Left/Roadside	Wesbar	Bulk	6
273058	7 Function Right/Curbside	Wesbar	Bulk	6
283008	8 Function Left/Roadside	Wesbar	Litho Box	2
283058	7 Function Right/Curbside	Wesbar	Litho Box	2
283500	Trailer Light Kit with 25 ft. Wire Harness	Wesbar	Litho Box	2
Replacement Parts				
54504-001	Protective Tail Light Bracket	Wesbar	Boxed	36

## LED WORK LIGHTS

- Perfect for exterior use in AG, horse, livestock, RV, industrial and racing applications
- Environmentally sealed design with aluminum housing and stainless steel mounting stud
- High power, true white 9-36V, 10W light emission
- Circular: 4.5 in. diameter x 1.50 in. depth
- Rectangular: 4 in. x 4 in. x 1.50 in. depth

54209-001



54209-002



Part Number	Description	Brand	Packaging	Master Carton
54209-001	Circular LED Light, 8 Diodes	Wesbar	Bulk	24
54209-002	Rectangular LED Light, 10 Diodes	Wesbar	Bulk	24

## LED WORK LIGHTS WITH COILED CORD AND MAGNETIC BASE

- Perfect for exterior use in AG, horse, livestock, RV, industrial and racing applications
- Environmentally sealed design with 19 ft. extended coiled cord
- Magnetic base, with protective film, secures in high vibration conditions in a vertical or horizontal position
- Power adapter for 12V outlet with separate on/off switch
- High power, true white 9-36V, 10W light emission
- Circular: 4.5 in. diameter x 1.875 in. depth
- Rectangular: 4 in. x 4 in. x 1.75 in. depth

54209-017



54209-018



Part Number	Description	Brand	Packaging	Master Carton
54209-017	Circular LED Light, with Cord, Magnetic Base, 8 Diodes	Wesbar	Bulk	2
54209-018	Rectangular LED Light, with Cord, Magnetic Base, 10 Diodes	Wesbar	Bulk	2

## INCANDESCENT TAIL LIGHTS

30-86-101



30-86-103



## SINGLE SERIES TAIL LIGHTS #86 SERIES

- Meets FMVSS/CMVSS 108 requirements
- Backup light has a clear lens surrounded by a Class "A" reflector
- Bases are available in either white or black
- All include J-slot bayonet sockets for dependable flicker-free operation and 16 gauge supply and ground wiring
- 5-13/16 in. x 4-3/8 in. x 2-7/8 in.
- Cutout: 5-7/8 in. x 5-1/2 in.

Part Number	Description	Brand	Packaging	Master Carton
30-86-101	Red Stop/Tail/Turn with Black Base	Bargman	Bulk	10
31-86-101	Red Stop/Tail/Turn with Black Base	Bargman	Clamshell	6
34-86-101	Red Stop/Tail/Turn with Black Base	Bargman	Display Bag	25
30-86-103	Backup Vertical Mount with Black Base	Bargman	Bulk	10
31-86-103	Backup Vertical Mount with Black Base	Bargman	Clamshell	6
Replacement Parts				
30-90-156	Bulb #1156, Single Filament	Bargman	Bulk	1,000
30-84-057	Bulb #2057, Double Filament	Bargman	Bulk	1,000
31-84-010	Lens Red	Bargman	Clamshell	6
34-84-010	Lens Red	Bargman	Display Bag	25
31-84-016	Lens Amber	Bargman	Clamshell	6
34-84-016	Lens Amber	Bargman	Display Bag	25
31-84-700	Lens Backup - Lens Mounted Vertical	Bargman	Clamshell	6
34-84-700	Lens Backup - Lens Mounted Vertical	Bargman	Display Bag	25
31-84-711	Lens Backup - Lens Mounted Horizontal	Bargman	Clamshell	6
34-84-711	Lens Backup - Lens Mounted Horizontal	Bargman	Display Bag	25
30-84-075	Tail Light Lens Screw	Bargman	Bulk	1

NOTE: Tail Lights, Clearance/Side Marker Lights and ID Light Bars approved for trailer accessory and towing application use. Contact your Horizon Global Representative for details.

34-86-202



34-86-203



## WRAP-AROUND CLEARANCE/SIDE MARKER LIGHTS #86 SERIES

- Meets lighting requirements for side markers and clearance lights and doubles as a Class "A" side-reflex reflector
- The light meets FMVSS/CMVSS 108 requirements
- Bases are available in either white or black
- The molded socket with two wires protects bulb from road shock and the molded grommet protects the wiring
- 5-3/4 in. x 4-3/8 in. x 2-3/16 in.

Part Number	Description	Brand	Packaging	Master Carton
34-86-202	Red with Black Base	Bargman	Display Bag	5
34-86-203	Amber with Black Base	Bargman	Display Bag	5
Replacement Parts				
34-86-711	Lens #86 Red Wrap Around	Bargman	Display Bag	25
34-86-712	Lens #86 Amber Wrap Around	Bargman	Display Bag	25
30-84-075	Tail Light Lens Screw	Bargman	-	-



## RECESSED DOUBLE TAIL LIGHTS #84 SERIES

- Available for vertical or horizontal mounting
- Comes in black, white and colonial white
- Clear backup light lenses are surrounded by a Class "A" red reflex lens
- All lenses meet FMVSS/CMVSS 108 requirements
- All include J-slot bayonet sockets for dependable flicker-free operation and 16 gauge supply and ground wiring
- Cutout: 8-7/16 in. x 5-1/2 in.
- Overall: 9-13/16 in. x 6-15/16 in. x 1-1/4 in. with 1 in. depth

30-84-540



30-84-008



30-84-508



30-84-547



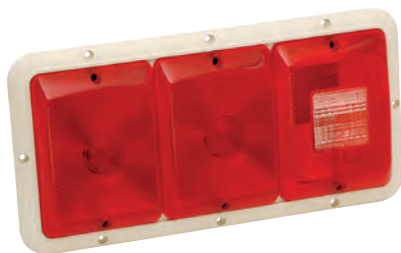
30-84-527



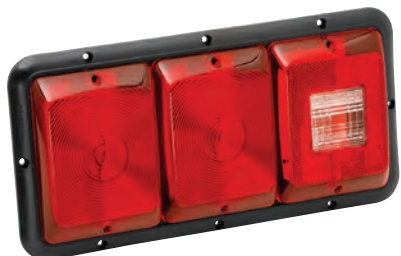
Part Number	Description	Brand	Packaging	Master Carton
30-84-540	Horizontal Mount with Red Stop/Tail/Turn, Backup Lens with White Base	Bargman	Bulk	5
30-84-008	Horizontal Mount with Red Stop/Tail/Turn, Backup Lens with Black Base	Bargman	Bulk	5
34-84-008	Horizontal Mount with Red Stop/Tail/Turn, Backup Lens with Black Base	Bargman	Bulk	5
30-84-508	Vertical Mount with Red Stop/Tail/Turn, Backup Lens with Black Base	Bargman	Bulk	20
30-84-547	Red/Red Stop/Tail/Turn with White Base	Bargman	Bulk	20
30-84-527	Red/Red Stop/Tail/Turn with Black Base	Bargman	Bulk	5
34-84-527	Red/Red Stop/Tail/Turn with Black Base	Bargman	Display Bag	5
30-84-529	Red Stop/Tail/Turn, with Red Insert (Clearance/Side Marker Application Only) with Black Base	Bargman	Bulk	20
Replacement Parts				
30-90-156	Bulb #1156, Single Filament	Bargman	Bulk	1,000
30-84-057	Bulb #2057, Double Filament	Bargman	Bulk	1,000
31-84-010	Lens Red	Bargman	Clamshell	6
34-84-010	Lens Red	Bargman	Display Bag	25
31-84-016	Lens Amber	Bargman	Clamshell	6
34-84-016	Lens Amber	Bargman	Display Bag	25
31-84-700	Lens Backup - Lens Mounted Vertical	Bargman	Clamshell	6
34-84-700	Lens Backup - Lens Mounted Vertical	Bargman	Display Bag	25
31-84-711	Lens Backup - Lens Mounted Horizontal	Bargman	Clamshell	6
34-84-711	Lens Backup - Lens Mounted Horizontal	Bargman	Display Bag	25
34-85-750	Lens Red with Red Insert (Clearance/Side Marker Application Only)	Bargman	Display Bag	25
30-84-075	Tail Light Lens Screw	Bargman	Bulk	1

NOTE: Tail Lights, Clearance/Side Marker Lights and ID Light Bars approved for trailer accessory and towing application use. Contact your Horizon Global Representative for details.

## INCANDESCENT TAIL LIGHTS



30-84-002



30-84-009



30-84-509



30-84-103



30-84-104

## RECESSED TRIPLE TAIL LIGHTS

## #84/85 SERIES

- Available for either vertical or horizontal mounting
- Clear backup light lenses are surrounded by a Class "A" red reflex lens
- All lenses meet FMVSS/CMVSS 108 requirements
- All include J-slot bayonet sockets for dependable flicker-free operation and 16 gauge supply and ground wiring
- Cutout: 12-11/16 in. x 5-1/2 in.
- Overall: 14-1/16 in. x 6-15/16 in. x 1-1/4 in. with 1 in. depth

Part Number	Description	Brand	Packaging	Master Carton
30-84-002	Horizontal Mount with Red, Red Stop/Tail/Turn, Backup with Colonial White Base	Bargman	Bulk	20
30-84-009	Horizontal Mount with Red, Red Stop/Tail/Turn, Backup with Black Base	Bargman	Bulk	20
34-84-009	Horizontal Mount with Red, Red Stop/Tail/Turn, Backup with Black Base	Bargman	Display Bag	5
30-85-002	Horizontal Mount with Red, Red Stop/Tail/Turn, Backup with Chrome Base	Bargman	Bulk	20
30-84-509	Vertical Mount with Red, Red Stop/Tail/Turn, Backup with Black Base	Bargman	Bulk	5

## RECESSED TRIPLE LONG TAIL LIGHTS

## #84/85 SERIES

- Incorporates all of the features of the Recessed Triple Tail Light #84 Series / #85 Series with a special lens placement that allows the light to be utilized for a narrow mounting
- Cutout: 16-1/8 in. x 3-5/8 in.
- Overall: 18 in. x 5-5/16 in. x 1-1/4 in. with 1 in. depth

Part Number	Description	Brand	Packaging	Master Carton
30-84-103	Horizontal Mount Red Stop/Tail/Turn, Backup, Red Stop/Tail/Turn with Black Base	Bargman	Bulk	20
30-84-104	Horizontal Mount Red Stop/Tail/Turn, Backup, Amber Turn with Black Base	Bargman	Bulk	5
30-84-554	Vertical Mount Red Stop/Tail/Turn, Backup, Amber Turn with Black Base	Bargman	Bulk	5

## Replacement Parts

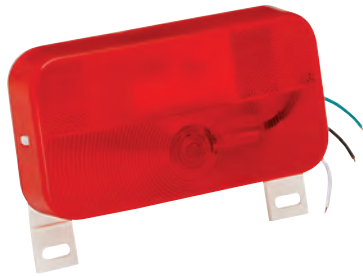
30-90-156	Bulb #1156, Single Filament	Bargman	Bulk	1,000
30-84-057	Bulb #2057, Double Filament	Bargman	Bulk	1,000
31-84-010	Lens Red	Bargman	Clamshell	6
34-84-010	Lens Red	Bargman	Display Bag	25
31-84-016	Lens Amber	Bargman	Clamshell	6
34-84-016	Lens Amber	Bargman	Display Bag	25
31-84-700	Lens Backup - Lens Mounted Vertical	Bargman	Clamshell	6
34-84-700	Lens Backup - Lens Mounted Vertical	Bargman	Display Bag	25
31-84-711	Lens Backup - Lens Mounted Horizontal	Bargman	Clamshell	6
34-84-711	Lens Backup - Lens Mounted Horizontal	Bargman	Display Bag	25
34-85-750	Lens Red with Red Insert (Clearance/Side Marker Application Only)	Bargman	Display Bag	25
30-84-075	Tail Light Lens Screw	Bargman	Bulk	1

## SURFACE MOUNT TAIL LIGHTS #92 SERIES

- Available with or without backup lens
- Maximum design and replacement flexibility
- White or black bases
- All include automotive corrosion resistant bulb sockets and 16 gauge supply and ground wiring
- These lights meet FMVSS/CMVSS 108 requirements
- Easy installation and long life
- Designed for horizontal, surface mounting only
- 8-9/16 in. x 4-9/16 in. x 2-1/8 in.



30-92-106



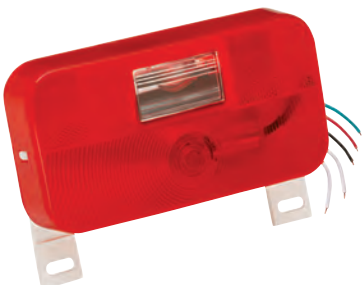
30-92-003



30-92-108



30-92-002



30-92-004



30-92-109

Part Number	Description	Brand	Packaging	Master Carton
30-92-001	Stop/Tail/Turn Light Surface Mount #92 with White Base	Bargman	Bulk	12
31-92-001	Stop/Tail/Turn Light Surface Mount #92 with White Base	Bargman	Clamshell	10
34-92-001	Stop/Tail/Turn Light Surface Mount #92 with White Base	Bargman	Display Bag	25
30-92-106	Stop/Tail/Turn Light Surface Mount #92 with Black Base	Bargman	Bulk	12
30-92-003	Stop/Tail/Turn Light Surface Mount #92 with License Light and Bracket with White Base	Bargman	Bulk	12
31-92-003	Stop/Tail/Turn Light Surface Mount #92 with License Light and Bracket with White Base	Bargman	Clamshell	10
34-92-003	Stop/Tail/Turn Light Surface Mount #92 with License Light and Bracket with White Base	Bargman	Display Bag	25
30-92-108	Stop/Tail/Turn Light Surface Mount #92 with License Light and Bracket with Black Base	Bargman	Bulk	12
30-92-002	Stop/Tail/Turn Light Surface Mount #92 with Backup with White Base	Bargman	Bulk	12
34-92-002	Stop/Tail/Turn Light Surface Mount #92 with Backup with White Base	Bargman	Display Bag	25
30-92-107	Stop/Tail/Turn Light Surface Mount #92 with Backup with Black Base	Bargman	Bulk	12
30-92-004	Stop/Tail/Turn Light Surface Mount #92 with Backup with License Light and Bracket with White Base	Bargman	Bulk	12
30-92-109	Stop/Tail/Turn Light Surface Mount #92 with Backup with License Light and Bracket with Black Base	Bargman	Bulk	12
30-92-044	Tail Light 15 Degree Wedge Base for #92 Series, White #7, 9 in. x 5 1/8 in. x 1 1/2 in.	Bargman	Bulk	25
Replacement Parts				
30-90-156	Bulb #1156, Single Filament	Bargman	Bulk	1,000
30-84-057	Bulb #2057, Double Filament	Bargman	Bulk	1,000
30-92-012	Lens for 30-92-001, 106	Bargman	Bulk	20
34-92-012	Lens for 30-92-001, 106	Bargman	Display Bag	25
30-92-704	Lens for 30-92-002, 107	Bargman	Bulk	20
34-92-704	Lens for 30-92-002, 107	Bargman	Display Bag	25
30-92-708	Lens for 30-92-003, 108	Bargman	Bulk	80
34-92-708	Lens for 30-92-003, 108	Bargman	Display Bag	25
30-92-713	Lens for 30-92-004, 109	Bargman	Bulk	20
34-92-713	Lens for 30-92-004, 109	Bargman	Display Bag	25

NOTE: Tail Lights, Clearance/Side Marker Lights and ID Light Bars approved for trailer accessory and towing application use. Contact your Horizon Global Representative for details.



2423293



2423294

## COMBINATION OVER 80 IN. TAIL LIGHTS #80 SERIES

- Universal 2 in. on center stud mounting
- Screw-on main and side marker lens allow for easy bulb replacement
- Meets FMVSS/CMVSS 108 requirements for trailers over 80 in. wide when properly mounted
- Wiring uses the quick connect and disconnect feature
- 6.09 in. x 4.59 in. x 2.87 in.

Part Number	Description	Brand	Packaging	Master Carton
2423293	8-Function, Left/Roadside	Wesbar	Clamshell	10
2823293	8-Function, Left/Roadside	Wesbar	Clamshell	6
2423294	7-Function, Right/Curbside	Wesbar	Clamshell	10
2823294	7-Function, Right/Curbside	Wesbar	Clamshell	6
Replacement Parts				
108891	Bulb #193	Wesbar	Bulk	40
30-90-157	Bulb #1157, Double Filament	Wesbar	Bulk	100
2423286	Lens, Tail Light	Wesbar	Bulk	100
2423287	Lens, Red, Clearance/Side Marker	Wesbar	Bulk	100
54504-001	Protective Tail Light Bracket	Wesbar	Boxed	36

NOTE: Tail Lights, Clearance/Side Marker Lights and ID Light Bars approved for trailer accessory and towing application use. Contact your Horizon Global Representative for details.



2423273



2423275

## PEDESTAL MOUNT TAIL LIGHTS

- Requires a 1/2 in. hole for stud mounting
- All mounting hardware included
- For easy installation the lights feature pre-wired supply wires and are self-grounding
- Red or amber snap-on acrylic lens and black acrylic cover
- Meets FMVSS/CMVSS 108 requirements and meets ASABE 4 Candle Power to the side amber light requirements
- 4.28 in. diameter x 2.16 in.

Part Number	Description	Brand	Packaging	Master Carton
2423273	Double Face, Amber Marker/Turn, Amber Marker/Turn	Wesbar	Clamshell	10
2423275	Single Face, Red Stop/Tail/Turn, Black	Wesbar	Bulk	10
Replacement Parts				
30-90-156	Bulb #1156, Single Filament	Wesbar	Bulk	1,000
30-90-157	Bulb #1157, Double Filament	Wesbar	-	-

NOTE: Tail Lights, Clearance/Side Marker Lights and ID Light Bars approved for trailer accessory and towing application use. Contact your Horizon Global Representative for details.



2423283



2823284



2823285

## COMBINATION UNDER 80 IN. TAIL LIGHTS #80 SERIES

- Universal 2 in. on center stud mounting
- Screw-on main and side marker lens allow for easy bulb replacement
- Designed for a variety of under 80 in. light-duty trailers
- Wiring uses the quick connect and disconnect feature
- Meets FMVSS/CMVSS 108 requirements
- 4-3/4 in. x 4-1/2 in. x 2-9/16 in.
- Complete kit with two tail lights, two amber clearance/side marker lights with reflex lens, 20 ft. or 25 ft. trailer wiring harness cable with molded 4-Way flat prong plug, 4 ft. car wiring harness cable with molded 4-Way flat prong plug plus license plate bracket

Part Number	Description	Brand	Packaging	Master Carton
2423283	7-Function, Left/Roadside	Wesbar	Clamshell	10
2823283	7-Function, Left/Roadside	Wesbar	Clamshell	6
2423284	6-Function, Right/Curbside	Wesbar	Clamshell	10
2823284	6-Function, Right/Curbside	Wesbar	Clamshell	6
31-2823285	Trailer Light Kit with 25 ft. Wire Harness, with Rectangular Side Marker Lights	Bargman	Clamshell	6
2823285	Trailer Light Kit with 25 ft. Wire Harness, with Rectangular Side Marker Lights	Wesbar	Clamshell	2
407500	Trailer Light Kit with 20 ft. Wire Harness, without Side Marker Lights	Wesbar	Bulk	4
Replacement Parts				
108891	Bulb #193	Wesbar	Bulk	40
30-90-157	Bulb #1157, Double Filament	Wesbar	Bulk	100
2423286	Lens, Tail Light	Wesbar	Bulk	100
2423297	Lens, Red, Clearance/Side Marker	Wesbar	Bulk	50
003201	License Plate Bracket	Wesbar	Bulk	200
003211	License Plate Bracket	Wesbar	Bulk	24
54504-001	Protective Tail Light Bracket	Wesbar	Boxed	36
002301	4 ft. Wiring Harness with 4-Way Flat Car End	Wesbar	Bulk	1
707275	4 ft. Wiring Harness with 4-Way Flat Car End	Wesbar	Clamshell	12
002220	20 ft. Wiring Harness with 4-Way Flat Trailer End	Wesbar	Bulk	1

NOTE: Tail Lights, Clearance/Side Marker Lights and ID Light Bars approved for trailer accessory and towing application use. Contact your Horizon Global Representative for details.



73864

## MAGNETIC TOW LIGHT KIT

- Easy attachment magnetic mounting base
- Use with RVs, cars, boats, tow trucks and trailers
- Features standard 4-Flat plug in connector
- Long 20 ft. cord reach
- Red Lenses
- Rugged durable construction
- Snap on lens
- Has replaceable 1157 bulbs

Part Number	Description	Brand	Packaging	Master Carton
73864	Magnetic Tow Light Kit	Wesbar	Clamshell	2



44-01-031



40-01-003

## WATERPROOF/SEALED RECESSED TAIL LIGHTS #01 SERIES



- Hermetically sealed lens prevents corrosion contributed by salt and rain
- Structurally immune to extreme heat and cold
- Lenses meet FMVSS/CMVSS 108 requirements
- Rubber grommet and three wire pigtail can be purchased separately or as a kit
- 4-1/4 in. diameter x 2-1/16 in. depth
- Cutout:
  - 1) 4-9/16 in. +/- 1/32 in. with grommet when using steel 16 gauge or thicker steel
  - 2) 4-1/2 in. +/- 1/32 in. with grommet when using fiberglass or 18 gauge or thinner steel

Part Number	Description	Brand	Packaging	Master Carton
44-01-031	Red Stop/Tail/Turn Light with Grommet with Standard Pigtail	Bargman	Display Bag	25
<b>Replacement Parts</b>				
40-01-001	Red Stop/Tail/Turn Light	Bargman	Bulk	3
40-01-003	Clear Backup Light	Bargman	Bulk	48
40-00-003	3 Wire Pigtail with 12 in. Wire Lead	Bargman	Bulk	100
40-00-004	3 Wire 90° Pigtail with 12 in. Wire Lead	Bargman	Bulk	100
719063	3 Wire 90° Pigtail with 12 in. Wire Lead	Bargman	Display Bag	12
40-01-020	4 in. Round Grommet	Bargman	Bulk	100

NOTE: Tail Lights, Clearance/Side Marker Lights and ID Light Bars approved for trailer accessory and towing application use. Contact your Horizon Global Representative for details.

## SUBMERSIBLE OVER 80 IN. TAIL LIGHTS



- Ideal for boat and PWC trailers over 80 in. wide
- Fully gasketed, screw on main and side marker lenses allow for easy bulb replacement
- Universal 2 in. on-center stud mount
- Meets FMVSS/CMVSS 108 requirements for trailers over 80 in. wide when properly mounted
- Pre-wired for easy installation
- 6.29 in. x 4.66 in. x 3.76 in. overall height



2423058



2423008

Part Number	Description	Brand	Packaging	Master Carton
2423058	7-Function, Right/Curbside	Wesbar	Clamshell	10
2523074	7-Function, Right/Curbside	Wesbar	Clamshell	2
2423008	8-Function, Left/Roadside	Wesbar	Clamshell	10
2523024	8-Function, Left/Roadside	Wesbar	Clamshell	2
2423500	Trailer Light Kit with 25 ft. Wire Harness	Wesbar	Litho Box	2
<b>Replacement Parts</b>				
108891	Bulb #193	Wesbar	Bulk	40
30-90-157	Bulb #2057, Double Filament	Wesbar	Bulk	100
2423286	Lens Red, Tail Light	Wesbar	Bulk	100
54001	Lens Red, Tail Light with Screws	Wesbar	Display Bag	24
2423287	Lens Red, Clearance/Side Marker	Wesbar	Bulk	100
54003	Lens Red, Clearance/Side Marker with Screws	Wesbar	Display Bag	24



## WATERPROOF OVER 80 IN. 3X8 LOW PROFILE TAIL LIGHTS

- Reliable waterproof design
- Bulb replaceable capsule protects the bulbs from corrosion and thermal shock, but still allows for easy access for bulb replacement
- Meets FMVSS/CMVSS 108 requirements for trailers over 80 in. wide when properly mounted
- 8.03 in. x 2.94 in. x 2.83 in.
- The kit comes complete with two tail lights, two sealed amber surface mount clearance/side marker lights with reflex lens, 25 ft. trailer wiring harness cable with molded four prong plug, 4 ft. four wire car wiring harness cable with molded 4-Flat plug plus license plate bracket



006554



006504



106411



106410



007509

Part Number	Description	Brand	Packaging	Master Carton
006554	7-Function, Right/Curbside, Two Supply Wires and Ring Terminal Ground	Wesbar	Boxed	12
403076	7-Function, Right/Curbside, Two Supply Wires and Ring Terminal Ground	Wesbar	Clamshell	6
006504	8-Function, Left/Roadside, Two Supply Wires and Ring Terminal Ground	Wesbar	Boxed	12
403026	8-Function, Left/Roadside, Two Supply Wires and Ring Terminal Ground	Wesbar	Clamshell	6
106411	7-Function, Right/Curbside, Trailer Ground Connection with Molded 2-Way Plug and Ring Terminal Ground	Wesbar	Bulk	12
106410	8-Function, Left/Roadside, Trailer Ground Connection with Molded 2-Way Plug and Ring Terminal Ground	Wesbar	Bulk	12
007539	Trailer Light Kit with 25 ft. Wire Harness	Wesbar	Boxed	12
007509	Trailer Light Kit with 25 ft. Wire Harness	Wesbar	Boxed	6
Replacement Parts				
108891	Bulb #193	Wesbar	Bulk	40
30-84-057	Bulb #2057, Double Filament	Wesbar	Bulk	1,000
90-03-336	Lens Set Red, (2) Tail Light and (2) Clearance/Side Marker with Screws	Wesbar	Display Bag	12
403336	Lens Set Red, (2) Tail Light and (2) Clearance/Side Marker with Screws	Wesbar	Clamshell	12
003101	Clearance Light Amber with Black Stud Mount Base	Wesbar	Bulk	100
203111	Clearance Light Amber with Black Stud Mount Base	Wesbar	Clamshell	12
003201	License Plate Bracket	Wesbar	Bulk	200
003211	License Plate Bracket	Wesbar	Display Bag	24
002301	4 ft. Wiring Harness with 4-Way Flat Car End	Wesbar	Bulk	1
707275	4 ft. Wiring Harness with 4-Way Flat Car End	Wesbar	Clamshell	12
108825	25 ft. Wiring Harness with 4-Way Flat Trailer End	Wesbar	Bulk	5
707261	25 ft. Wiring Harness with 4-Way Flat Trailer End	Wesbar	Clamshell	6

NOTE: Tail Lights, Clearance/Side Marker Lights and ID Light Bars approved for trailer accessory and towing application use. Contact your Horizon Global Representative for details.



Wet Location Lighting Products



413560



401591



2423056



2423006



2527511



## WATERPROOF/SEALED RECESSED TAIL LIGHTS #06 SERIES



- Oval design allows for installation in narrower channels
- Hermetically sealed lens prevents corrosion from salt and rain
- Structurally immune to extreme heat and cold
- Lenses meet FMVSS/CMVSS 108 requirements
- 6-1/2 in. x 2-1/4 in. x 2-3/8 in. depth
- Cutout: 6-3/4 in. x 2-1/2 in.

Part Number	Description	Brand	Packaging	Master Carton
413560	Red Stop/Tail/Turn Light with Grommet and Standard Pigtail	Wesbar	Display Bag	12
403080	Red Stop/Tail/Turn Light with Grommet and Standard Pigtail	Wesbar	Clamshell	6
44-06-031	Red Stop/Tail/Turn Light with Grommet and Standard Pigtail	Bargman	Display Bag	25
Replacement Parts				
40-06-001	Red Stop/Tail/Turn Light	Bargman	Bulk	25
44-06-001	Red Stop/Tail/Turn Light	Bargman	Display Bag	20
403085	Red Stop/Tail/Turn Light	Wesbar	Clamshell	6
40-00-003	3 Wire Pigtail with 12 in. Wire Lead	Bargman	Bulk	100
40-00-004	3 Wire 90° Pigtail with 12 in. Wire Lead	Bargman	Bulk	100
719063	3 Wire 90° Pigtail with 12 in. Wire Lead	Wesbar	Display Bag	12
40-06-020	6 in. Oval Grommet	Bargman	Bulk	25
416088	6 in. Oval Grommet	Wesbar	Display Bag	12
108119	6 in. Oval Mounting Bracket	Wesbar	Boxed	20
106873	6 in. Oval Mounting Bracket	Wesbar	Poly Bag	12
401591	6 in. Oval Grommet and 3 Wire 90° Pigtail	Wesbar	Display Label	6

## SUBMERSIBLE UNDER 80 IN. TAIL LIGHTS

- Ideal for boat and PWC trailers less than 80 in. wide
- Fully gasketed, screw on lens allow for easy bulb replacement
- Universal 2 in. on-center stud mount
- 5.25 in. x 4.66 in. x 3.76 in. overall height
- The kit comes with two tail lights, two sealed amber surface mount clearance/side marker lights with reflex lens, 25 ft. trailer wiring harness cable with molded four prong plug, 4 ft. four wire car wiring harness cable with molded 4-Way plug plus license plate bracket



Part Number	Description	Brand	Packaging	Master Carton
2423056	6-Function, Right/Curbside	Wesbar	Clamshell	10
2523073	6-Function, Right/Curbside	Wesbar	Clamshell	2
2423006	7-Function, Left/Roadside	Wesbar	Clamshell	10
2523023	7-Function, Left/Roadside	Wesbar	Clamshell	2
2527511	Trailer Light Kit with 25 ft. Wire Harness	Wesbar	Clamshell	2
Replacement Parts				
108891	Bulb #193	Wesbar	Bulk	40
30-90-157	Bulb #1157, Double Filament	Wesbar	Bulk	100
2423286	Lens, Tail Light	Wesbar	Bulk	100
2423287	Lens, Red, Clearance/Side Marker	Wesbar	Bulk	100
54001	Lens Red, Tail Light with Screws	Wesbar	Display Bag	24
54002	Lens Red, Clearance/Side Marker with Screws	Wesbar	Display Bag	24



## SUBMERSIBLE OVER 80 IN. 4X6 LOW PROFILE TAIL LIGHTS



423075



423025



- Unique, compact size and shape allows these lights to fit where space is limited
- The lens is sonically-sealed to the base providing a “bell jar,” making this lamp fully submersible with easily replaceable bulbs
- Meets FMVSS/CMVSS 108 requirements for trailers over 80 in. wide when properly mounted
- Pre-wired with 2-Way molded plugs and ring terminal ground for easy installation
- 6 in. x 3-1/2 in. x 2-1/4 in.
- The kit comes complete with two tail lights, two amber clearance/side marker lights with reflex lens, 20 ft. trailer wiring harness cable with molded four prong plug, 4 ft. four wire car wiring harness cable with molded 4-flat plug plus license plate bracket

417515



Part Number	Description	Brand	Packaging	Master Carton
423075	6-Function, Right/Curbside	Wesbar	Boxed	12
403075	6-Function, Right/Curbside	Wesbar	Clamshell	6
423025	7-Function, Left/Roadside	Wesbar	Boxed	25
403025	7-Function, Left/Roadside	Wesbar	Clamshell	6
417515	Trailer Light Kit with 20 ft. Wire Harness	Wesbar	Boxed	36
407515	Trailer Light Kit with 20 ft. Wire Harness	Wesbar	Clamshell	4
Replacement Parts				
108891	Bulb #193	Wesbar	Bulk	40
30-90-157	Bulb #2057, Double Filament	Wesbar	Bulk	100
223117	Clearance/Side Marker, Amber, Stud Mount with Reflex	Wesbar	Boxed	100
203117	Clearance/Side Marker, Amber, Stud Mount with Reflex	Wesbar	Clamshell	12
003328	Lens Amber, Clearance/Side Marker	Wesbar	Bulk	50
90-03-328	Lens Amber, Clearance/Side Marker with Screw	Bargman	Display Bag	12
003338	Lens Amber, Clearance/Side Marker with Screw	Wesbar	Display Bag	24
003201	License Plate Bracket	Wesbar	Display Bag	200
003211	License Plate Bracket	Wesbar	Display Bag	24
002301	4 ft. Wiring Harness with 4-Flat Car End	Wesbar	Bulk	1
707275	4 ft. Wiring Harness with 4-Flat Car End	Wesbar	Clamshell	12
002220	20 ft. Wiring Harness with 4-Flat Car End	Wesbar	Bulk	1

NOTE: Tail Lights, Clearance/Side Marker Lights and ID Light Bars approved for trailer accessory and towing application use. Contact your Horizon Global Representative for details.

## WATERPROOF COURTESY LIGHTS



003232



- Sealed lights with #193 bulbs
- Ideal for a variety of interior and exterior applications
- Lens and base are constructed of extra-tough polycarbonate to resist damage
- 2.15 in. x 1.125 in. x 1.035 in. with 0.70 in. depth

Part Number	Description	Brand	Packaging	Master Carton
003232	Courtesy Light with Self-Grounding Stud Mount, Single Wire with Molded Barrel	Wesbar	Bulk	100

LED SIDE MARKER LIGHTS



54005



273560



401591

**WATERPROOF LED 6 IN. OVAL GROMMET MOUNT COURTESY LIGHT**



- Waterproof 10 diode courtesy/utility light
- Horizontal and vertical mount applications
- LED provides longer life, brighter more focused illumination and less current draw than incandescent lamps
- Grommet and 3 prong wiring pigtail available separately
- 6.42 in. x 2.25 in. x 1.00 with 0.77 in. depth

Part Number	Description	Brand	Packaging	Master Carton
54005	LED Oval Courtesy Light Clear with Grommet with 3 Wire 90° Pigtail	Wesbar	Clamshell	6
273560	LED Oval Courtesy Light Clear	Wesbar	Clamshell	20
<b>Replacement Parts</b>				
40-00-003	3 Wire Pigtail with 12 in. Wire Lead	Bargman	Bulk	100
40-00-004	3 Wire 90° Pigtail with 12 in. Wire Lead	Bargman	Bulk	100
719063	3 Wire 90° Pigtail with 12 in. Wire Lead	Wesbar	Display Bag	12
40-06-020	6 in. Oval Grommet	Bargman	Bulk	25
416088	6 in. Oval Grommet	Wesbar	Display Bag	12
108119	6 in. Oval Mounting Bracket	Wesbar	Boxed	20
106873	6 in. Oval Mounting Bracket	Wesbar	Poly Bag	12
401591	6 in. Oval Grommet and 3 Wire 90° Pigtail	Wesbar	Display Label	6

NOTE: Tail Lights, Clearance/Side Marker Lights and ID Light Bars approved for trailer accessory and towing application use. Contact your Horizon Global Representative for details.

**WATERPROOF LED CLEARANCE/SIDE MARKER LIGHTS WITH REFLEX LENS**



- Waterproof "tongue" lights
- Excellent for boat trailer tongue lighting
- Snap-on lens with black or white bases
- Two wire construction with either notched wires or molded single bullet and barrel
- Tested to FMVSS/CMVSS 108 requirements, P2 rated
- 2.62 in. x 1.83 in. x 0.83 in.



47-222012



47-222014



47-222015

Part Number	Description	Brand	Packaging	Master Carton
47-222012	Clearance Light LED Amber with Reflex with Black Base, Bullet Supply, Barrel Ground	Wesbar	Bulk	50
47-222014	Clearance Light 1 Diode LED Red with Reflex with White Base, Notched Supply and Ground Wires	Wesbar	Bulk	50
47-222015	Clearance Light 1 Diode LED Amber with Reflex with White Base, Notched Supply and Ground Wires	Wesbar	Bulk	50
47-222017	Clearance Light LED Amber with Reflex with Black Base, Notched Supply and Ground Wires	Wesbar	Bulk	4
<b>Replacement Parts</b>				
222012	Lens, Amber (Will Increase the Dimension of Existing Unit by 1/4 in.)	Wesbar	Boxed	100



47-203667



47-203668

## WATERPROOF LED CLEARANCE/SIDE MARKER LIGHTS



- One piece, waterproof
- Designed for grommet mounting
- Two wire pigtail features 6 in. or 18 in. wire leads with supply wire and ring terminal ground
- Pigtail and grommet available separately
- P2 rated
- 2.61 in. x 1.22 in. x 0.79 in.

Part Number	Description	Brand	Packaging	Master Carton
47-203667	Clearance Light Module LED Amber	Wesbar	Bulk	100
47-203668	Clearance Light Module LED Red	Wesbar	Bulk	100
Replacement Parts				
221588	Grommet, Rectangular	Wesbar	Bulk	200
40-00-002	2 Wire Pigtail with 6 in. Wire Lead	Bargman	Bulk	100
44-00-002	2 Wire Pigtail with 6 in. Wire Lead	Bargman	Display Bag	25
108663	2 Wire Pigtail with 18 in. Wire Lead	Wesbar	Bulk	100
34-108663	2 Wire Pigtail with 18 in. Wire Lead	Bargman	Display Bag	25

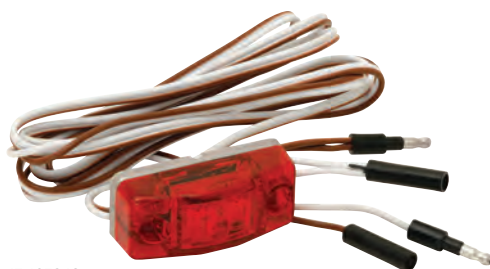
*NOTE: Tail Lights, Clearance/Side Marker Lights and ID Light Bars approved for trailer accessory and towing application use. Contact your Horizon Global Representative for details.*



47-106851



47-107043



47-107046

## WATERPROOF LED CLEARANCE/SIDE MARKER LIGHTS



- One piece design with thru-lens mounting holes
- Single stud on base, 1/4 in. hole required, provides self-ground
- Features wire harness with either one or two wire configurations that includes notched wires or molded single bullets and/or barrels
- P2/P3 rated
- 2.64 in. x 1.14 in. x 0.97 in. with 0.43 in. depth
- Mounting: (2) 0.25 in. diameter hole - 1.90 in. centers

Part Number	Description	Brand	Packaging	Master Carton
47-106851	Clearance Light LED Amber with Self-Ground Stud, 12 in. Brown Wire	Wesbar	Bulk	50
42-99-402	Clearance Light LED Amber with Self-Ground Stud, 12 in. Brown Wire	Bargman	Clamshell	12
47-99-402	Clearance Light LED Amber with Self-Ground Stud, 12 in. Brown Wire	Bargman	Bulk	25
47-107043	Clearance Light LED Red with Self-Ground Stud, 12 in. Brown Wire	Wesbar	Bulk	50
42-99-401	Clearance Light LED Red with Self-Ground Stud, 12 in. Brown Wire	Bargman	Clamshell	12
47-99-401	Clearance Light LED Red with Self-Ground Stud, 12 in. Brown Wire	Bargman	Bulk	25
47-106852	Clearance Light LED Amber with Self-Ground Stud, 16 in. Brown Bullet Pigtail	Wesbar	Bulk	50
47-106857	Clearance Light LED Amber with Self-Ground Stud, 16 in. Brown Bullet/White Barrel Pigtail	Wesbar	Bulk	50
47-107044	Clearance Light LED Red with Self-Ground Stud, 96 in. Brown Bullet/Brown Barrel Pigtail	Wesbar	Bulk	50
47-107046	Clearance Light LED Red with Self-Ground Stud, 96 in. Brown Bullet and Barrel/White Bullet and Barrel Pigtail	Wesbar	Bulk	50

LED SIDE MARKER LIGHTS



54201-006



54201-007

**WATERPROOF LED HI INTENSITY MICRO CLEARANCE/SIDE MARKER LIGHTS**



- Red and amber lights are FMVSS-108 PC rated
- The clear style is ideal for auxiliary and decorative lighting
- Self contained grommet and pre-wired with sealed 12 in. wire pigtail
- 0.75 in. light diameter x 0.50 in. height, 1 in. diameter with grommet
- Recommended hole size is 0.75 in. and the recommended material thickness is between 0.0625 in. and 0.125 in.

Part Number	Description	Brand	Packaging	Master Carton
54201-006	Hi Intensity Micro Clearance Light LED Amber	Bargman	Bulk	100
54201-007	Hi Intensity Micro Clearance Light LED Red	Bargman	Bulk	100
54201-008	Hi Intensity Micro Clearance Light LED Clear	Bargman	Bulk	100

NOTE: Tail Lights, Clearance/Side Marker Lights and ID Light Bars approved for trailer accessory and towing application use. Contact your Horizon Global Representative for details.

**LED FENDER CLEARANCE LIGHTS**

- Compact and waterproof
- Durable polycarbonate construction with rubber gasket
- European marketplace approved, P2 Rated
- 11.8 in. wire leads
- Dimensions: 1-1/2 in. tall x 5-1/4 in. long



54201-014

Part Number	Description	Brand	Packaging	Master Carton
54201-011	LED Fender Clearance Light Left Side	Bargman	Bulk	50
54201-013	LED Fender Clearance Light Right Side	Bargman	Bulk	50
54201-014	LED Fender Clearance Light Kit	Bargman	Bulk	40

NOTE: Tail Lights, Clearance/Side Marker Lights and ID Light Bars approved for trailer accessory and towing application use. Contact your Horizon Global Representative for details.

**WATERPROOF LED CLEARANCE/SIDE MARKER LIGHTS**



- FMVSS/CMVSS 108 compliant
- Waterproof with 2 diodes
- One piece design with thru-lens mounting holes
- 18 in. two wire construction
- P2/P3 rated
- 2.60 in. x 1.10 in. x 0.75 in. height
- Mounting: (2) 0.25 in. diameter hole - 1.90 in. centers



47-106853



47-107047



54201-001

Part Number	Description	Brand	Packaging	Master Carton
47-106853	Clearance Light LED Amber	Wesbar	Bulk	50
54201-001	Clearance Light LED Amber with Chrome Bezel	Wesbar	Clamshell	4
47-107047	Clearance Light LED Red	Wesbar	Bulk	50
54201-002	Clearance Light LED Red with Chrome Bezel	Wesbar	Clamshell	4
<b>Replacement Parts</b>				
47-106020	Chrome Bezel, 3.23 in. x 1.73 in. x 0.47 in. height	Wesbar	Bulk	100

## WATERPROOF LED CLEARANCE/SIDE MARKER LIGHTS #37 SERIES



- Easy installation, snap lock base mount
- Tested and certified to FMVSS/CMVSS 108 clearance/side marker light requirements, P2 rated
- Module Only: 2.60 in. x 1.20 in. x 1.03 in. overall height
- Module with Base: 2-7/8 in. x 1-1/2 in. x 1 in.



401581



401580



401566



401565

Part Number	Description	Brand	Packaging	Master Carton
47-37-031	Clearance Light LED #37 Red with Black Base	Bargman	Display Bag	25
401581	Clearance Light LED #37 Red with Black Base	Wesbar	Bulk	12
47-37-032	Clearance Light LED #37 Amber with Black Base	Bargman	Display Bag	25
401580	Clearance Light LED #37 Amber with Black Base	Wesbar	Bulk	12
47-37-005	Clearance Light Module LED #37 Red, PC Rated When Properly Mounted	Bargman	Bulk	400
47-37-006	Clearance Light Module LED #37 Amber, PC Rated When Properly Mounted	Bargman	Bulk	100
Replacement Parts				
47-37-001	Clearance Light Module LED #37 Red	Bargman	Bulk	50
42-37-401	Clearance Light Module LED #37 Red	Bargman	Clamshell	12
47-37-401	Clearance Light Module LED #37 Red	Bargman	Bulk	25
47-37-002	Clearance Light Module LED #37 Amber	Bargman	Bulk	50
42-37-402	Clearance Light Module LED #37 Amber	Bargman	Clamshell	12
47-37-402	Clearance Light Module LED #37 Amber	Bargman	Bulk	20
40-37-020	Black 2 in. Snap-Lock Base, Self-Grounding with Single Black Wire	Bargman	Bulk	100
106289	Black 2 in. Snap-Lock Base, Self-Grounding	Wesbar	Bulk	400
108297	Black 2 in. Snap-Lock Base, Open Back	Wesbar	Bulk	200
106293	Chrome 2 in. Snap-Lock Base, Self-Grounding	Wesbar	Bulk	400
221588	Grommet Rectangular	Wesbar	Bulk	200
40-00-002	2 Wire Pigtail with 6 in. Wire Lead	Bargman	Bulk	100
44-00-002	2 Wire Pigtail with 6 in. Wire Lead	Bargman	Display Bag	25
108663	2 Wire Pigtail with 18 in. Wire Lead	Wesbar	Bulk	100
34-108663	2 Wire Pigtail with 18 in. Wire Lead	Bargman	Bulk	100

## WATERPROOF LED CLEARANCE/SIDE MARKER LIGHTS #99 SERIES



- Single wire, 12 in. minimum
- Self-grounding stud mounting with 1/4 in. required hole
- Includes type 302 stainless steel hardware
- Meets FMVSS/CMVSS 108 requirements
- PC rated when properly mounted
- 2.16 in. x 1.16 in. x 1.03 in. with 0.72 in. depth

Part Number	Description	Brand	Packaging	Master Carton
47-99-005	Clearance Light LED #99 Red	Bargman	Bulk	100
401566	Clearance Light LED #99 Red	Wesbar	Clamshell	12
47-99-006	Clearance Light LED #99 Amber	Bargman	Bulk	100
401565	Clearance Light LED #99 Amber	Wesbar	Clamshell	12



42-38-033



42-38-034



47-38-004

## LED CLEARANCE/SIDE MARKER LIGHTS #38 SERIES

- Snap lock base mount
- Easy installation
- Fully tested and certified to FMVSS/CMVSS 108 side marker/clearance light requirements
- P2 rated
- Module Only: 3.93 in. x 1.22 in. x 1.02 in. overall height
- Fender mount module only: 3.95 in. x 1.24 in. x 1.038 in. overall height

Part Number	Description	Brand	Packaging	Master Carton
42-38-033	Clearance Light LED #38 Red with Black Base with Pigtail	Bargman	Clamshell	12
47-38-033	Clearance Light LED #38 Red with Black Base with Pigtail	Bargman	Display Bag	25
401583	Clearance Light LED #38 Red with Black Base with Pigtail	Wesbar	Clamshell	6
42-38-034	Clearance Light LED #38 Amber with Black Base with Pigtail	Bargman	Clamshell	12
47-38-034	Clearance Light LED #38 Amber with Black Base with Pigtail	Bargman	Display Bag	25
401582	Clearance Light LED #38 Amber with Black Base with Pigtail	Wesbar	Clamshell	6
47-38-004	Clearance Light LED #38 Red/Amber	Bargman	Bulk	50
Replacement Parts				
47-38-001	Clearance Light Module LED #38 Red	Bargman	Bulk	50
47-38-401	Clearance Light Module LED #38 Red	Bargman	Display Bag	25
47-38-002	Clearance Light Module LED #38 Amber	Bargman	Bulk	50
47-38-402	Clearance Light Module LED #38 Amber	Bargman	Display Bag	25
40-38-020	Black Base with Wire Assembly, Self-Grounding with Single Black Wire	Bargman	Bulk	100
40-38-025	Black Base with 2 Wires	Bargman	Bulk	100

NOTE: Tail Lights, Clearance/Side Marker Lights and ID Light Bars approved for trailer accessory and towing application use. Contact your Horizon Global Representative for details.



47-58-031



47-58-032

## LED CLEARANCE/SIDE MARKER LIGHT KITS #58 SERIES

- Snap lock base mount
- 4 in. x 2 in. x 1 in.

Part Number	Description	Brand	Packaging	Master Carton
47-58-031	Clearance Light LED #58 Red with Pigtail, with White Base	Bargman	Display Bag	25
47-58-032	Clearance Light LED #58 Amber with Pigtail, with White Base	Bargman	Display Bag	25
47-58-001	Clearance Light LED #58 Red with White Base	Bargman	Bulk	200
401586	Clearance Light LED #58 Red with White Base	Wesbar	Clamshell	6
47-58-002	Clearance Light LED #58 Amber with White Base	Bargman	Bulk	200
401585	Clearance Light LED #58 Amber with White Base	Wesbar	Clamshell	6
Replacement Parts				
40-00-005	Pigtail	Bargman	Bulk	100

54201-016



54201-017



## LED CLEARANCE/SIDE MARKER LIGHTS 2-1/2 IN. ROUND

- Surface mount design
- 2-Wire construction simplifies grounding
- These lights meet FMVSS-108 and CMVSS-108 requirements for P2 and PC side marker clearance functions when properly mounted

Part Number	Description	Brand	Packaging	Master Carton
54201-016	LED Red Clearance Light with Mounting Flange	Bargman	Clamshell	4
54201-017	LED Amber Clearance Light with Mounting Flange	Bargman	Bulk	50
54201-018	LED Amber Clearance Light with Mounting Flange	Bargman	Clamshell	4

42-59-401



42-59-402



## LED CLEARANCE/SIDE MARKER LIGHTS #59 SERIES WITH REFLEX LENS

- Rugged ABS base with LED light engine assembled directly into reflectorized acrylic lens
- LED light engine consists of 2 LED lights that are mounted into a circuit board that is then potted and sealed to protect against water and other elements
- 4 in. x 2 in. x 1-1/32 in. with 5/8 in. depth

Part Number	Description	Brand	Packaging	Master Carton
47-59-001	Clearance Light LED #59 Red with White Base with Pigtail	Bargman	Boxed	100
42-59-401	Clearance Light LED #59 Red with White Base with Pigtail	Bargman	Clamshell	12
47-59-401	Clearance Light LED #59 Red with White Base with Pigtail	Bargman	Display Bag	25
47-59-002	Clearance Light LED #59 Amber with White Base with Pigtail	Bargman	Boxed	100
42-59-402	Clearance Light LED #59 Amber with White Base with Pigtail	Bargman	Clamshell	12
47-59-402	Clearance Light LED #59 Amber with White Base with Pigtail	Bargman	Display Bag	25

42-59-410



42-59-412



## LED MODULE UPGRADE KITS #59 SERIES

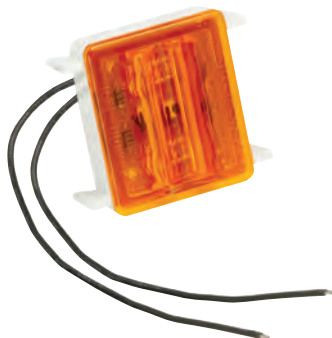
- Designed to convert Bargman #59 Incandescent Clearance/Side Marker Lights to LED WITHOUT having to remove the base
- Simply remove the lens and the incandescent bulb and plug-in in the LED light engine (lens and LED lights)

Part Number	Description	Brand	Packaging	Master Carton
47-59-010	Upgrade Kit, Lens Module LED #59 Red	Bargman	Boxed	100
42-59-410	Upgrade Kit, Lens Module LED #59 Red	Bargman	Clamshell	25
47-59-410	Upgrade Kit, Lens Module LED #59 Red	Bargman	Display Bag	25
47-59-012	Upgrade Kit, Lens Module LED #59 Amber	Bargman	Boxed	100
42-59-412	Upgrade Kit, Lens Module LED #59 Amber	Bargman	Clamshell	25
47-59-412	Upgrade Kit, Lens Module LED #59 Amber	Bargman	Display Bag	25

## LED SIDE MARKER LIGHTS



47-86-202



42-86-412



42-86-410



44-30-031



401589

### LED WRAP-AROUND CLEARANCE/SIDE MARKER LIGHTS #86 SERIES

- Meets lighting requirements for side markers and clearance lights and doubles as a Class "A" side-reflex reflector
- Meets FMVSS/CMVSS 108 requirements
- 5-3/4 in. x 4-3/8 in. x 2-3/16 in.

Part Number	Description	Brand	Packaging	Master Carton
47-86-202	LED Stop/Tail/Turn Light Lens Module Red with Bulb Socket Plug	Bargman	Display Bag	20
48-86-202	LED Stop/Tail/Turn Light Lens Module Red with Bulb Socket Plug	Bargman	Display Bag	5
Replacement Parts				
42-86-410	LED Wrap-Around Clearance Light Module Red	Bargman	Clamshell	12
42-86-412	LED Wrap-Around Clearance Light Module Amber	Bargman	Clamshell	12
30-86-711	Lens #86 Red Wrap-Around	Bargman	Bulk	5
34-86-711	Lens #86 Red Wrap-Around	Bargman	Display Bag	25
30-86-712	Lens #86 Amber Wrap-Around	Bargman	Bulk	5
34-86-712	Lens #86 Amber Wrap-Around	Bargman	Display Bag	25
30-84-075	Marker Light Lens Screw	Bargman	Bulk	1

### WATERPROOF/SEALED CLEARANCE/SIDE MARKER LIGHTS #30 SERIES



- Designed for quick and easy installation
- Rugged ABS base that has the acrylic lens sonic welded to the base
- Flush mount rubber grommet and two wire pigtail can be purchased separately or as a kit
- 2 in. diameter x 3/4 in., 2-3/4 in. diameter with grommet
- Cutout: 2-5/16 in. diameter

Part Number	Description	Brand	Packaging	Master Carton
44-30-031	Clearance Light #30 Red with Grommet with 6 in. Pigtail	Bargman	Display Bag	25
Replacement Parts				
40-30-001	Clearance Light Module #30 Red	Bargman	Bulk	50
41-30-001	Clearance Light Module #30 Red	Bargman	Clamshell	12
44-30-001	Clearance Light Module #30 Red	Bargman	Display bag	25
203381	Clearance Light Module #30 Red	Wesbar	Clamshell	12
40-30-002	Clearance Light Module #30 Amber	Bargman	Bulk	50
41-30-002	Clearance Light Module #30 Amber	Bargman	Clamshell	12
44-30-002	Clearance Light Module #30 Amber	Bargman	Display Bag	25
203380	Clearance Light Module #30 Amber	Wesbar	Clamshell	12
40-00-002	2 Wire Pigtail with 6 in. Wire Lead	Bargman	Bulk	100
44-00-002	2 Wire Pigtail with 6 in. Wire Lead	Bargman	Display Bag	25
108663	2 Wire Pigtail with 18 in. Wire Lead	Wesbar	Bulk	100
34-108663	2 Wire Pigtail with 18 in. Wire Lead	Bargman	Display Bag	25
40-30-020	2 in. Round Grommet	Bargman	Bulk	50
44-30-020	2 in. Round Grommet	Bargman	Display Bag	25
401589	2 in. Round Grommet and 2 Wire Pigtail with 6 in. Wire Lead	Wesbar	Display Bag	6



## WATERPROOF/SEALED CLEARANCE/SIDE MARKER LIGHTS #37 SERIES



- Compact rectangular light with the polycarbonate lens sonic welded to the base
- Offers easy installation with self grounding base on metallic surfaces
- Snap lock tabs on the lens housing secures light to base to complete the fast installation
- Complies with FMVSS/CMVSS 108 requirements for combination clearance/marker light when mounted properly
- 2-1/2 in. x 1-1/4 in.



44-37-031



44-37-032



203295



203294



40-37-020

Part Number	Description	Brand	Packaging	Master Carton
41-37-031	Clearance Lens #37 Red with Black Base with Wire	Bargman	Display Bag	12
44-37-031	Clearance Lens #37 Red with Black Base with Wire	Bargman	Display Bag	25
203293	Clearance Lens #37 Red with Black Base with Wire	Wesbar	Clamshell	12
41-37-032	Clearance Lens #37 Amber with Black Base with Wire	Bargman	Clamshell	12
44-37-032	Clearance Lens #37 Amber with Black Base with Wire	Bargman	Display Bag	25
203292	Clearance Lens #37 Amber with Black Base with Wire	Wesbar	Clamshell	12
203294	Clearance Lens #37 Amber with Chrome Base with Wire	Wesbar	Clamshell	12
203295	Clearance Lens #37 Red with Chrome Base with Wire	Wesbar	Clamshell	12
Replacement Parts				
40-37-001	Clearance Light Module #37 Red	Bargman	Bulk	50
203396	Clearance Light Module #37 Red	Wesbar	Clamshell	12
40-37-002	Clearance Light Module #37 Amber	Bargman	Bulk	50
203395	Clearance Light Module #37 Amber	Wesbar	Clamshell	12
40-37-020	Black 2 in. Snap-Lock Base, Self-Grounding with Single Black Wire	Bargman	Bulk	100
106289	Black 2 in. Snap-Lock Base, Self-Grounding	Wesbar	Bulk	400
108297	Black 2 in. Snap-Lock Base, Open Back	Wesbar	Bulk	100
106293	Chrome 2 in. Snap-Lock Base, Self-Grounding	Wesbar	Bulk	400
221588	Grommet Rectangular	Wesbar	Bulk	200
106334	Single Plug for Snap-Lock Base	Wesbar	Bulk	144
40-00-002	2 Wire Pigtail with 6 in. Wire Lead	Bargman	Bulk	100
44-00-002	2 Wire Pigtail with 6 in. Wire Lead	Bargman	Display Bag	25
108663	2 Wire Pigtail with 18 in. Wire Lead	Wesbar	Bulk	100
34-108663	2 Wire Pigtail with 18 in. Wire Lead	Bargman	Bulk	100

NOTE: Tail Lights, Clearance/Side Marker Lights and ID Light Bars approved for trailer accessory and towing application use. Contact your Horizon Global Representative for details.



Wet Location Lighting Products

## WATERPROOF/SEALED CLEARANCE/SIDE MARKER LIGHTS #38 SERIES



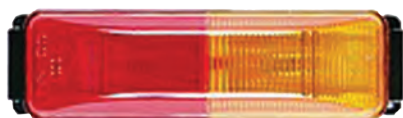
44-38-031



44-38-032



40-38-004



- Double bulb rectangular light with the polycarbonate lens sonic welded to the base
- Easy installation with self grounding base on metallic surfaces
- Snap-lock tabs on the lens housing secures light to base to complete the fast installation
- Complies with FMVSS/CMVSS 108 requirements for combination clearance/marker light when mounted properly
- P2 rated
- 3-13/16 in. x 1-1/4 in.

Part Number	Description	Brand	Packaging	Master Carton
41-38-031	Clearance Lens #38 Red with Black Base with Wire Assembly	Bargman	Clamshell	12
44-38-031	Clearance Lens #38 Red with Black Base with Wire Assembly	Bargman	Display Bag	25
41-38-032	Clearance Lens #38 Amber with Black Base with Wire Assembly	Bargman	Clamshell	12
44-38-032	Clearance Lens #38 Amber with Black Base with Wire Assembly	Bargman	Display Bag	25
40-38-004	Fender Mount Clearance Light Module #38 Red/Amber	Bargman	Bulk	50
<b>Accessory</b>				
40-40-120	Fender Mount Black Base for Two Lights	Bargman	Bulk	10
<b>Replacement Parts</b>				
40-38-001	Clearance Light Module #38 Red	Bargman	Bulk	100
40-38-002	Clearance Light Module #38 Amber	Bargman	Bulk	100
40-38-020	Black Base with Wire Assembly, Self-Grounding with Single Black Wire	Bargman	Bulk	100
40-38-025	Black Base with 2 Wires	Bargman	Bulk	100

## SONICALLY-SEALED WATERPROOF CLEARANCE/SIDE MARKER LIGHTS



003239



003231



003230



- Break-resistant polycarbonate lens
- Available in either stud-mount or ear-mount styling
- Features a pre-installed 15 in. pigtail
- Meets FMVSS/CMVSS 108 requirements for clearance/marker lights when properly mounted
- Stud: 2-1/8 in. x 1-1/8 in. x 1-1/16 in.
- Ear: 3-5/16 in. x 1-5/16 in. x 1 in.

Part Number	Description	Brand	Packaging	Master Carton
003273	Clearance Light Red, White Ear-Mount Base	Wesbar	Bulk	100
203286	Clearance Light Red, White Ear-Mount Base	Wesbar	Clamshell	12
003231	Clearance Light Red, White Stud-Mount Base	Wesbar	Bulk	100
203234	Clearance Light Red, White Stud-Mount Base	Wesbar	Clamshell	12
003239	Clearance Light Red, Black Stud-Mount Base	Wesbar	Bulk	100
003272	Clearance Light Amber, White Ear-Mount Base	Wesbar	Bulk	100
203285	Clearance Light Amber, White Ear-Mount Base	Wesbar	Clamshell	12
003230	Clearance Light Amber, White Stud-Mount Base	Wesbar	Bulk	100
203233	Clearance Light Amber, White Stud-Mount Base	Wesbar	Clamshell	12
003238	Clearance Light Amber, Black Stud-Mount Base	Wesbar	Bulk	100

### WRAP-AROUND CLEARANCE/SIDE MARKER LIGHTS #86 SERIES

- Meets lighting requirements for side markers and clearance lights and doubles as a Class "A" side-reflex reflector
- Meets FMVSS/CMVSS 108 requirements
- 5-3/4 in. x 4-3/8 in. x 2-3/16 in.

30-86-202



30-86-203



Part Number	Description	Brand	Packaging	Master Carton
30-86-202	Clearance Light #86 Red with Black Base	Bargman	Bulk	5
34-86-202	Clearance Light #86 Red with Black Base	Bargman	Display Bag	5
30-86-203	Clearance Light #86 Amber with Black Base	Bargman	Bulk	20
34-86-203	Clearance Light #86 Amber with Black Base	Bargman	Display Bag	5
Replacement Parts				
30-86-711	Lens #86 Red Wrap-Around	Bargman	Bulk	5
34-86-711	Lens #86 Red Wrap-Around	Bargman	Display Bag	25
30-86-712	Lens #86 Amber Wrap-Around	Bargman	Bulk	5
34-86-712	Lens #86 Amber Wrap-Around	Bargman	Display Bag	25
30-84-075	Marker Light Lens Screw	Bargman	Bulk	1

NOTE: Tail Lights, Clearance/Side Marker Lights and ID Light Bars approved for trailer accessory and towing application use. Contact your Horizon Global Representative for details.

### CLEARANCE/SIDE MARKER LIGHTS #59 SERIES WITH REFLEX LENS

- Rugged ABS base and acrylic snap-on reflex lens
- Molded socket protects bulb from road shock and has two wires to eliminate surface ground
- Molded grommet extends through the skin to protect the wiring
- 4 in. x 2 in. x 1-1/32 in. with 5/8 in. depth

30-59-001



30-59-002



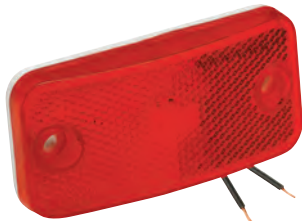
30-59-003



30-59-004



Part Number	Description	Brand	Packaging	Master Carton
30-59-001	Clearance Light #59 Red with White Base	Bargman	Bulk	100
31-59-001	Clearance Light #59 Red with White Base	Bargman	Clamshell	12
34-59-001	Clearance Light #59 Red with White Base	Bargman	Display Bag	25
30-59-003	Clearance Light #59 Red with Black Base	Bargman	Bulk	100
30-59-002	Clearance Light #59 Amber with White Base	Bargman	Bulk	100
31-59-002	Clearance Light #59 Amber with White Base	Bargman	Clamshell	12
34-59-002	Clearance Light #59 Amber with White Base	Bargman	Display Bag	25
30-59-004	Clearance Light #59 Amber with Black Base	Bargman	Bulk	100
Replacement Parts				
30-58-702	Wedge Base Socket with #194 Bulb	Bargman	Bulk	100
30-59-010	Lens #59 Red	Bargman	Bulk	100
31-59-010	Lens #59 Red	Bargman	Clamshell	12
34-59-010	Lens #59 Red	Bargman	Display Bag	25
30-59-012	Lens #59 Amber	Bargman	Bulk	100
31-59-012	Lens #59 Amber	Bargman	Clamshell	12
34-59-012	Lens #59 Amber	Bargman	Display Bag	25
30-58-024	White Base	Bargman	Bulk	100
30-59-054	Gasket, Foam	Bargman	Bulk	100



30-17-814



30-17-815

## CLEARANCE/SIDE MARKER LIGHTS #178 SERIES WEATHER-TIGHT WITH REFLEX LENS

- Low profile, one-piece construction
- Radius styling
- ABS base and acrylic reflex lens
- Two wire design eliminates surface ground
- 3-7/8 in. x 1-7/8 in. x 3/4 in. with 3/4 in. depth

Part Number	Description	Brand	Packaging	Master Carton
30-17-814	Clearance Light #178 Red with White Base with 14 in. Wires	Bargman	Bulk	100
34-17-808	Clearance Light #178 Red with White Base with 14 in. Wires	Bargman	Display Bag	25
30-17-815	Clearance Light #178 Amber with White Base with 14 in. Wires	Bargman	Bulk	100
34-17-809	Clearance Light #178 Amber with White Base with 14 in. Wires	Bargman	Display Bag	25
<b>Replacement Parts</b>				
30-58-702	Wedge Base Socket with #194 Bulb	Bargman	Bulk	100
30-17-034	Gasket-Foam	Bargman	Bulk	1,000
34-17-034	Gasket-Foam	Bargman	Display Bag	25

NOTE: Tail Lights, Clearance/Side Marker Lights and ID Light Bars approved for trailer accessory and towing application use. Contact your Horizon Global Representative for details.



30-58-001



30-58-002

## CLEARANCE/SIDE MARKER LIGHTS #58 SERIES

- Rugged ABS base and acrylic snap-on lens
- Molded socket protects bulb from road shock and has two wires to eliminate surface ground
- Molded grommet extends through the skin to protect the wiring
- 4 in. x 2 in. x 1-1/32 in. with 5/8 in. depth

Part Number	Description	Brand	Packaging	Master Carton
30-58-001	Clearance Light #58 Red with White Base	Bargman	Bulk	100
34-58-001	Clearance Light #58 Red with White Base	Bargman	Display Bag	25
30-58-002	Clearance Light #58 Amber with White Base	Bargman	Bulk	100
34-58-002	Clearance Light #58 Amber with White Base	Bargman	Display Bag	25
<b>Replacement Parts</b>				
30-58-702	Wedge Base Socket with #194 Bulb	Bargman	Bulk	100
30-58-010	Lens #58 Red	Bargman	Bulk	100
34-58-010	Lens #58 Red	Bargman	Display Bag	25
30-58-012	Lens #58 Amber	Bargman	Bulk	100
34-58-012	Lens #58 Amber	Bargman	Display Bag	25
30-58-024	White Base	Bargman	Bulk	100
30-59-054	Gasket, Foam	Bargman	Bulk	100

NOTE: Tail Lights, Clearance/Side Marker Lights and ID Light Bars approved for trailer accessory and towing application use. Contact your Horizon Global Representative for details.

## CLEARANCE/SIDE MARKER LIGHTS 2-3/4 IN. ROUND

- Surface mount design
- Two wire construction simplifies grounding
- Meets FMVSS-108 and CMVSS-108 requirements for P2 and PC side marker clearance functions when properly mounted

30-073833



30-073834



Part Number	Description	Brand	Packaging	Master Carton
30-073833	Clearance Light Red Round with Two Wire Construction	Bargman	Bulk	50
30-073834	Clearance Light Amber Round with Two Wire Construction	Bargman	Bulk	50
Replacement Parts				
108891	Bulb #193	Wesbar	Bulk	40

## DUAL BULB CLEARANCE/SIDE MARKER LIGHTS

- Specifically designed for both heavy-duty and industrial use
- Polycarbonate lens
- Pre-wired with a 6 in. supply lead and are self-grounding
- 4 in. x 2 in. x 1-1/8 in.

003441



003440



Part Number	Description	Brand	Packaging	Master Carton
003441	Clearance Light Red	Wesbar	Bulk	50
32-003441	Clearance Light Red	Bargman	Clamshell	12
003440	Clearance Light Amber	Wesbar	Bulk	50
32-003440	Clearance Light Amber	Bargman	Clamshell	12
Replacement Parts				
108891	Bulb #193	Wesbar	Bulk	40

## CLEARANCE/SIDE MARKER LIGHTS #99 SERIES WITH REFLEX LENS

- Acrylic snap-on reflex lens
- Ready for mounting on a flat surface with quick connect wiring installation for supply and ground wires
- 4-1/16 in. x 1-3/8 in. x 1 in.

31-99-001



31-99-002

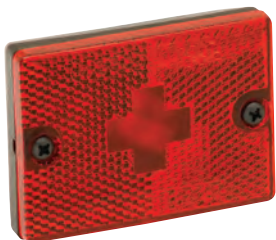


Part Number	Description	Brand	Packaging	Master Carton
30-99-001	Clearance Light #99 Red	Bargman	Bulk	100
31-99-001	Clearance Light #99 Red	Bargman	Clamshell	12
34-99-001	Clearance Light #99 Red	Bargman	Display Bag	25
30-99-002	Clearance Light #99 Amber	Bargman	Bulk	100
31-99-002	Clearance Light #99 Amber	Bargman	Clamshell	12
34-99-002	Clearance Light #99 Amber	Bargman	Display Bag	25
Accessory				
40-40-120	Two Light Fender Mount Bezel	Bargman	Bulk	10
Replacement Parts				
30-99-010	Lens #99 Red, Clearance Light	Bargman	Bulk	200
34-99-010	Lens #99 Red, Clearance Light	Bargman	Display Bag	25
30-99-012	Lens #99 Amber, Clearance Light	Bargman	Bulk	200
34-99-012	Lens #99 Amber, Clearance Light	Bargman	Display Bag	25

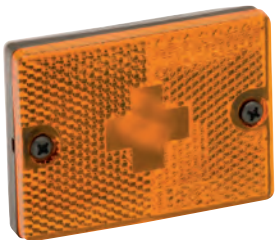
## CLEARANCE/SIDE MARKER LIGHTS WITH REFLEX LENS

- Stud mount
- Reflex lens and 18 in. wire lead
- Includes a tapered base for easy installation
- 2-3/4 in. x 2 in. x 1 in.

203116



223117



Part Number	Description	Brand	Packaging	Master Carton
203116	Clearance Light Red	Wesbar	Clamshell	12
223117	Clearance Light Amber	Wesbar	Boxed	100
203117	Clearance Light Amber	Wesbar	Clamshell	12
Replacement Parts				
108891	Bulb #193	Wesbar	Bulk	40
003327	Lens Red, Clearance Light	Wesbar	Bulk	200
90-03-327	Lens Red, Clearance Light with Screws	Bargman	Display Bag	12
003337	Lens Red, Clearance Light with Screws	Wesbar	Display Bag	24
003328	Lens Amber, Clearance Light	Wesbar	Bulk	50
90-03-328	Lens Amber, Clearance Light with Screws	Bargman	Display Bag	12
003338	Lens Amber, Clearance Light with Screws	Wesbar	Display Bag	24

NOTE: Tail Lights, Clearance/Side Marker Lights and ID Light Bars approved for trailer accessory and towing application use. Contact your Horizon Global Representative for details.

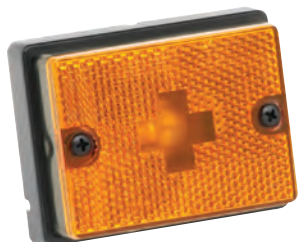
## CLEARANCE / SIDE MARKER LIGHTS WITH REFLEX LENS

- Featuring reflex lens and quick connect wiring installation
- Available with stud-mount or ear-mount styling
- 3-1/8 in. x 2-3/8 in. x 1 in.

003103



003101



003123

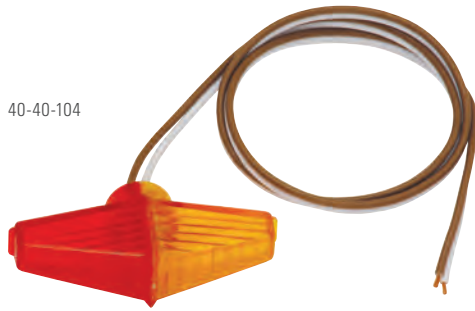


003121



Part Number	Description	Brand	Packaging	Master Carton
003103	Clearance Light Red with Black Stud-Mount Base	Wesbar	Bulk	100
203113	Clearance Light Red with Black Stud-Mount Base	Wesbar	Clamshell	12
003123	Clearance Light Red with Black Ear-Mount Base	Wesbar	Bulk	100
203133	Clearance Light Red with Black Ear-Mount Base	Wesbar	Clamshell	12
003101	Clearance Light Amber with Black Stud-Mount Base	Wesbar	Bulk	100
203111	Clearance Light Amber with Black Stud-Mount Base	Wesbar	Clamshell	12
003121	Clearance Light Amber with Black Ear-Mount Base	Wesbar	Bulk	100
203131	Clearance Light Amber with Black Ear-Mount Base	Wesbar	Clamshell	12
Replacement Parts				
003327	Lens Red, Clearance Light	Wesbar	Bulk	200
90-03-327	Lens Red, Clearance Light with Screws	Bargman	Display Bag	12
003337	Lens Red, Clearance Light with Screws	Wesbar	Display Bag	24
003328	Lens Amber, Clearance Light	Wesbar	Bulk	50
90-03-328	Lens Amber, Clearance Light with Screws	Bargman	Display Bag	12
003338	Lens Amber, Clearance Light with Screws	Wesbar	Display Bag	24

### CLEARANCE/SIDE MARKER LIGHTS FENDER MOUNT #40 SERIES



40-40-104

- Dual function red/amber light for use on fender mount applications
- Bulb is protected by the lens on all sides
- Two wire design (24 in. supply and ground) eliminates surface ground
- Light with black base, stainless steel mounting screws: 3.65 in. x 1.25 in. x 1.45 in. with 0.50 in. depth
- Light only: 2.75 in. x 1 in. x 0.85 in. with 0.50 in. depth
- Fender mount bezel only: 7.20 in. x 4.85 in. x 0.85 in.

Part Number	Description	Brand	Packaging	Master Carton
40-40-104	Fender Mount Clearance Light Red/Amber	Bargman	Bulk	100
<b>Replacement Parts</b>				
40-40-115	Fender Mount Bezel	Bargman	Bulk	20

### CLEARANCE/SIDE MARKER LIGHT



003225

003330

- Featuring quick connect wiring installation with stud mounting
- Meets FMVSS/CMVSS 108 requirements for clearance/marker lights when properly mounted, PC rated
- 2-1/4 in. x 2-1/4 in. x 1-1/4 in.

Part Number	Description	Brand	Packaging	Master Carton
003225	Clearance Light Amber	Wesbar	Bulk	100
203235	Clearance Light Amber	Wesbar	Clamshell	12
<b>Replacement Parts</b>				
003330	Lens Amber, Clearance Light	Wesbar	Bulk	720
003340	Lens Amber, Clearance Light	Wesbar	Display Bag	24

### LED 6 IN. OVAL MID-TURN LIGHT



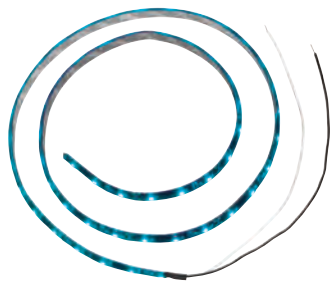
47-06-005

40-06-020

- Certified to SAE J914 for side turn signal
- Meets FMVSS/CMVSS 108 requirements for intermediate side marker and side reflex on vehicles over 30 ft. long
- Grommet and pigtail available separately
- 6.48 in. x 2.30 in. x 2.71 in. overall height
- 2 in. depth with pigtail, 1.35 in. height

Part Number	Description	Brand	Packaging	Master Carton
47-06-005	6 in. Oval Mid-Turn Amber Light	Bargman	Bulk	10
<b>Replacement Parts</b>				
40-00-003	3 Wire Pigtail with 12 in. Wire Lead	Bargman	Bulk	100
40-00-004	3 Wire 90° Pigtail with 12 in. Wire Lead	Bargman	Bulk	100
719063	3 Wire 90° Pigtail with 12 in. Wire Lead	Wesbar	Display Bag	12
40-06-020	6 in. Oval Grommet	Bargman	Bulk	25
416088	6 in. Oval Grommet	Wesbar	Display Bag	12
108119	6 in. Oval Mounting Bracket	Wesbar	Bulk	20
106873	6 in. Oval Mounting Bracket	Wesbar	Display Bag	12
401591	6 in. Oval Grommet and 3-Wire 90° Pigtail	Wesbar	Display Label	6

## STROBE LIGHTS



54205-011



54205-015



54205-020



54205-021



54205-024



54205-023

## LED LIGHT STRIPS

- Available in 5 different colors
- Cut to length and easy termination of wires
- Offered in 36 in. strips or reel of 16 ft.
- Weather resistant
- Backed with 3m adhesive
- Operates with 12v power supply
- Pre-wired with a 12 in. supply lead and are self-grounding

Part Number	Description	Brand	Packaging	Master Carton
<b>Strip - 36 in.</b>				
54205-010	LED Light Strip Red, 54 Diodes Per Strip	Wesbar	Blister Card	12
54205-011	LED Light Strip Blue, 54 Diodes Per Strip	Wesbar	Blister Card	12
54205-012	LED Light Strip Amber, 54 Diodes Per Strip	Wesbar	Blister Card	12
54205-013	LED Light Strip Green, 54 Diodes Per Strip	Wesbar	Blister Card	12
54205-014	LED Light Strip Clear, 54 Diodes Per Strip	Wesbar	Blister Card	12
<b>Reel - 16 ft.</b>				
54205-015	LED Light Strip Red, 16 ft. Per Reel	Wesbar	Reel	50
54205-016	LED Light Strip Blue, 16 ft. Per Reel	Wesbar	Reel	50
54205-017	LED Light Strip Amber, 16 ft. Per Reel	Wesbar	Reel	50
54205-018	LED Light Strip Green, 16 ft. Per Reel	Wesbar	Reel	50
54205-019	LED Light Strip Clear, 16 ft. Per Reel	Wesbar	Reel	50

## LED MULTI-FUNCTIONAL STROBE LIGHTS

- 7 optional flashing modes
- Available in amber or clear
- Dirt and moisture resistant
- Suitable for multiple OE wiring applications

Part Number	Description	Brand	Packaging	Master Carton
54205-020	LED Multi-Functional Strobe Light - Amber	Wesbar	Boxed	20
54205-021	LED Multi-Functional Strobe Light - Clear	Wesbar	Boxed	20

## LED STROBE LIGHTS WITH CORD AND MAGNETIC BASE

- Dirt and moisture resistant
- Single mode only
- Available in amber, clear or purple
- Magnetic base
- 13 ft. cord
- 12 volt power adapter included

Part Number	Description	Brand	Packaging	Master Carton
54205-022	LED Strobe Light - Amber	Wesbar	Boxed	10
54205-023	LED Strobe Light - Clear	Wesbar	Boxed	10
54205-024	LED Strobe Light - Purple	Wesbar	Boxed	10



### WATERPROOF LED ID LIGHT BARS



- Three waterproof red lights
- Stainless steel base with stud mounting
- 14-1/4 in. x 1-3/16 in. x 1-1/16 in.



47-99-004

Part Number	Description	Brand	Packaging	Master Carton
47-99-004	Light Bar LED with Red Lens	Bargman	Bulk	25
47-99-034	Light Bar LED with Red Lens	Bargman	Display Bag	25
401567	Light Bar LED with Red Lens	Wesbar	Clamshell	12
Replacement Parts				
47-99-005	Clearance Light LED #99 Red	Bargman	Bulk	100
401566	Clearance Light LED #99 Red	Wesbar	Clamshell	12

### WATERPROOF LED ID LIGHT BARS



- Waterproof LED low profile red light bar
- Meets FMVSS/CMVSS 108 requirements for vehicles 80 in. wide or wider
- Pre-wired, single bullet supply and ring terminal ground, with 60 in. harness for easy installation
- P2 rated
- 13.54 in. x 1.313 in. x .787 in.



47-106858

Part Number	Description	Brand	Packaging	Master Carton
47-106858	Light Bar LED with Red Lens	Wesbar	Bulk	100
42-106858	Light Bar LED with Red Lens	Wesbar	Blister Card	3

### WATERPROOF LED ID LIGHT BARS



- Submersible design with black poly-carbonate base incorporates LED #37 series clearance/marker modules
- Pre-wired (supply and ring terminal ground) for easy installation
- FMVSS/CMVSS 108 P2 compliant for use to meet over 80 in. rear clearance marking requirements
- 17 in. x 1.46 in. x 1.69 in.



42-99-215

Part Number	Description	Brand	Packaging	Master Carton
47-99-215	Light Bar LED with Red Lens	Bargman	Bulk	25
42-99-215	Light Bar LED with Red Lens	Bargman	Clamshell	12
Replacement Parts				
47-37-001	Clearance Light Module LED #37 Red	Bargman	Bulk	100
42-37-401	Clearance Light Module LED #37 Red	Bargman	Bulk	25
47-37-401	Clearance Light Module LED #37 Red	Bargman	Display Bag	25

### LED ID LIGHT BARS WITH REFLUX LENS

- Designed for narrow rail surface mounting
- Features include built-in reflex reflectors and stainless steel grommeted mounting holes
- Pre-wired supply and ground for easy installation
- 15.84 in. x 2.29 in.
- Mounting holes on 14.49 in. centers



47-54-002



47-54-003

Part Number	Description	Brand	Packaging	Master Carton
47-54-002	Light Bar LED with Red Lens	Bargman	Bulk	50
47-54-003	Light Bar LED with Amber Lens	Bargman	Bulk	50

LIGHT BARS



31-99-215

**WATERPROOF ID LIGHT BARS**



- Submersible design with black poly-carbonate base incorporates incandescent #37 series clearance/marker modules
- FMVSS/CMVSS 108 P2 compliant for use to meet over 80 in. rear clearance marking requirements
- 17 in. x 1.46 in. x 1.69 in.

Part Number	Description	Brand	Packaging	Master Carton
31-99-215	Red ID Bar Incandescent, Mounting Holes Outboard of Lights	Bargman	Clamshell	12
<b>Replacement Parts</b>				
40-37-001	Clearance Light Module #37 Red	Bargman	Bulk	50
203396	Clearance Light Module #37 Red	Wesbar	Clamshell	12



003305



003306

**WATERPROOF ID LIGHT BARS**



- Sonically-sealed, impact-resistant polycarbonate lens and housing ensure a waterproof module
- Meet or exceed all applicable state and federal regulations specified for vehicles 80 in. wide or wider
- Sealed polycarbonate lamps on 6 in. centers lead to a stainless steel base, completing the best line-up of waterproof light bars available today
- #003305 and #003306 are pre-wired with 60 in. leads and can be mounted in protected areas because of their low profile
- 14-1/2 in. x 1-1/8 in. x 1 in.

Part Number	Description	Brand	Packaging	Master Carton
003305	Light Bar with Red Waterproof Modules and White Bases	Wesbar	Boxed	50
203315	Light Bar with Red Waterproof Modules and White Bases	Wesbar	Display Bag	12
003306	Light Bar with Red Waterproof Modules and Black Bases	Wesbar	Boxed	50



223210



106310

**WATERPROOF LICENSE PLATE LIGHT**



- Waterproof, sealed license plate light with #193 bulb for a variety of mounting applications
- Pigtail available separately
- Meets FMVSS/CMVSS 108 requirements

Part Number	Description	Brand	Packaging	Master Carton
223210	License Light with Bracket White	Wesbar	Boxed	100
<b>Accessories</b>				
40-00-002	2 Wire Pigtail with 6 in. Wire Lead	Bargman	Bulk	100
44-00-002	2 Wire Pigtail with 6 in. Wire Lead	Bargman	Display Bag	25
108663	2 Wire Pigtail with 18 in. Wire Lead	Wesbar	Bulk	100
34-108663	2 Wire Pigtail with 18 in. Wire Lead	Bargman	Display Bag	25
<b>Replacement Parts</b>				
106310	License Light Module Clear	Wesbar	Bulk	200



30-62-103



34-62-002

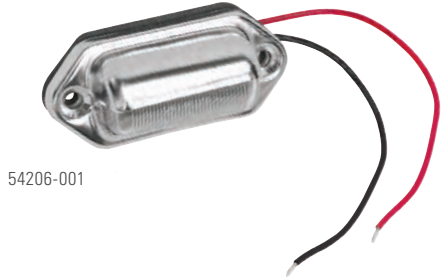
### LICENSE PLATE LIGHTS #62 SERIES

- ABS body construction
- Can be purchased with or without separate 18-gauge galvanized steel license bracket
- Molded socket protects bulb from road shock and has two wires to eliminate surface ground
- 4 in. x 1-1/2 in. x 2-5/8 in.

Part Number	Description	Brand	Packaging	Master Carton
30-62-003	License Light with Bracket White	Bargman	Bulk	25
34-62-003	License Light with Bracket White	Bargman	Display Bag	25
30-62-103	License Light Less Bracket White	Bargman	Bulk	50
34-62-103	License Light Less Bracket White	Bargman	Display Bag	25
30-62-002	License Light with Bracket Black	Bargman	Bulk	25
34-62-002	License Light with Bracket Black	Bargman	Display Bag	25
30-62-102	License Light Less Bracket Black	Bargman	Bulk	50
34-62-102	License Light Less Bracket Black	Bargman	Display Bag	25
Replacement Parts				
30-62-030	License Plate Bracket	Bargman	Bulk	50
34-62-030	License Plate Bracket	Bargman	Display Bag	25



30-62-000

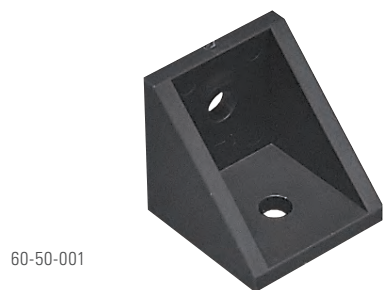


54206-001

### MINI COMPACT LICENSE PLATE LIGHTS

- Illuminators are dirt and moisture resistant
- Housing is chrome plated steel with half shaded white lens
- Mini compact lights feature two wire construction, mounting gasket and screw
- Bullet snap-in light with self-grounding single wire construction
- 2-5/8 in. x 1-1/4 in. x 1 in. - mini compact / LED mini compact
- 1 in. cutout - bullet snap-in

Part Number	Description	Brand	Packaging	Master Carton
30-62-000	Mini Compact Light	Bargman	Bulk	50
34-62-000	Mini Compact Light	Bargman	Display Bag	25
54206-001	LED Mini Compact Light	Bargman	Clamshell	24



60-50-001

### MOUNTING BRACKET

- Dark brown thermo-plastic corner bracket
- .20 in. diameter mounting holes accept up to #10 screws
- 1 in. x 1 in. x 1 in.
- 45° angled

Part Number	Description	Brand	Packaging	Master Carton
60-50-001	Support Mounting Bracket	Bargman	Litho Box	1,000

REFLECTORS



30-62-030



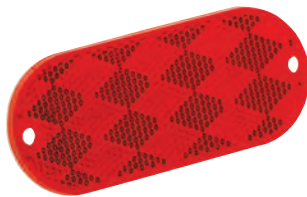
003201

LICENSE PLATE BRACKETS

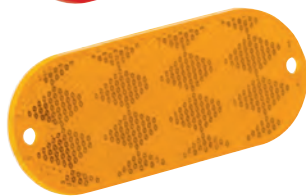
Part Number	Description	Brand	Packaging	Master Carton
30-62-030	License Plate Bracket 18 Gauge, Galvanized Steel	Bargman	Bulk	50
34-62-030	License Plate Bracket 18 Gauge, Galvanized Steel	Bargman	Display Bag	25
30-72-100	License Plate Bracket 16 Gauge, Zinc Plated	Bargman	Bulk	50
34-72-100	License Plate Bracket 16 Gauge, Zinc Plated	Bargman	Display Bag	25
003201	License Plate Bracket Plastic, Black	Wesbar	Bulk	200
003211	License Plate Bracket Plastic, Black	Wesbar	Display Bag	24
003202	License Plate Bracket Plastic, White	Wesbar	Bulk	100
003213	License Plate Bracket Plastic, White	Wesbar	Display Bag	24

OBLONG REFLECTORS

- Class "A" acrylic reflector, hermetically sealed
- Two mounting holes
- Optional adhesive fiber back
- 4-3/8 in. x 1-7/8 in.



70-78-010

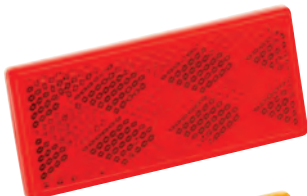


70-78-020

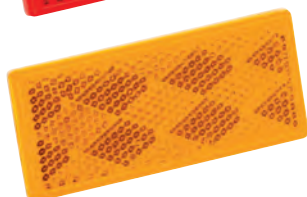
Part Number	Description	Brand	Packaging	Master Carton
70-78-010	Red with Mounting Holes and Adhesive Back	Bargman	Bulk	25
71-78-010	Red with Mounting Holes and Adhesive Back	Bargman	Clamshell	12
74-78-010	Red with Mounting Holes and Adhesive Back	Bargman	Poly Bag	25
70-78-050	Red with Mounting Holes Only	Bargman	Bulk	25
70-78-020	Amber with Mounting Holes and Adhesive Back	Bargman	Bulk	25
71-78-020	Amber with Mounting Holes and Adhesive Back	Bargman	Clamshell	12
74-78-020	Amber with Mounting Holes and Adhesive Back	Bargman	Poly Bag	25
70-78-060	Amber with Mounting Holes Only	Bargman	Bulk	25

RECTANGULAR REFLECTORS

- Class "A" acrylic reflector, hermetically sealed
- Adhesive fiber back for instant mounting
- 3-1/4 in. x 1-1/2 in.



70-71-180

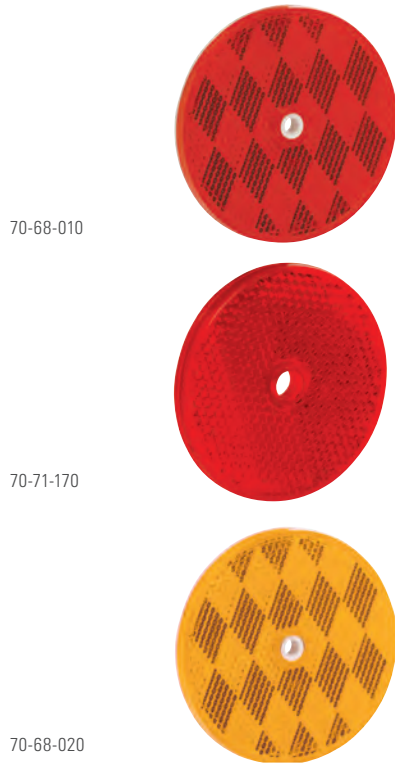


70-71-181

Part Number	Description	Brand	Packaging	Master Carton
70-71-180	Red with Adhesive Back	Bargman	Bulk	25
74-71-180	Red with Adhesive Back	Bargman	Poly Bag	25
003358	Red with Adhesive Back	Wesbar	Poly Bag	24
70-71-181	Amber with Adhesive Back	Bargman	Bulk	25
74-71-181	Amber with Adhesive Back	Bargman	Poly Bag	25
003357	Amber with Adhesive Back	Wesbar	Poly Bag	12

### ROUND REFLECTORS

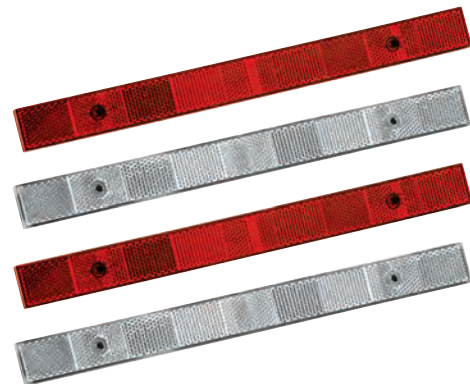
- Class "A" acrylic reflector, hermetically sealed
- Center mounting hole or adhesive fiber back
- 3-3/16 in. and 2-3/16 in.



Part Number	Description	Brand	Packaging	Master Carton
70-68-010	3-3/16 in. Red with Center Mounting Hole	Bargman	Bulk	144
74-68-010	3-3/16 in. Red with Center Mounting Hole	Bargman	Poly Bag	25
70-71-170	2-3/16 in. Red with Center Mounting Hole	Bargman	Bulk	144
74-71-170	2-3/16 in. Red with Center Mounting Hole	Bargman	Poly Bag	25
70-68-020	3-3/16 in. Amber with Center Mounting Hole	Bargman	Bulk	144
74-68-020	3-3/16 in. Amber with Center Mounting Hole	Bargman	Poly Bag	25
70-71-175	2-3/16 in. Amber with Center Mounting Hole	Bargman	Bulk	144
74-71-175	2-3/16 in. Amber with Center Mounting Hole	Bargman	Poly Bag	25
70-38-010	3-3/16 in. Red with Adhesive Back	Bargman	Bulk	144
74-38-010	3-3/16 in. Red with Adhesive Back	Bargman	Poly Bag	25
70-55-010	2-3/16 in. Red with Adhesive Back	Bargman	Bulk	144
74-55-010	2-3/16 in. Red with Adhesive Back	Bargman	Poly Bag	25
70-38-020	3-3/16 in. Amber with Adhesive Back	Bargman	Bulk	144
74-38-020	3-3/16 in. Amber with Adhesive Back	Bargman	Poly Bag	25
70-55-020	2-3/16 in. Amber with Adhesive Back	Bargman	Bulk	144
74-55-020	2-3/16 in. Amber with Adhesive Back	Bargman	Poly Bag	25

### CONSPICUITY REFLECTORS/TAPE

- Reflectors meet or exceed DOT-C and SAE J5941 for reflectivity marking on trucks and trailers
- Reflectors are comparable in light return to the 2 in. x 12 in. reflective tape and hermetically sealed
- 1.10 in. x 12 in.



Part Number	Description	Brand	Packaging	Master Carton
74-72-040	Clear and Red with Adhesive Back	Bargman	Poly Bag	144
70-72-020	Clear with Adhesive Back	Bargman	Bulk	144
003387	Clear with Adhesive Back	Wesbar	Poly Bag	12
70-72-030	Red with Adhesive Back	Bargman	Bulk	144
003388	Red with Adhesive Back	Wesbar	Poly Bag	12

### SECURITY/UTILITY LIGHTS

- 12 volt surface mounted light is designed to flood light in all directions
- Increased security features to any unit
- Features a 7 in. polycarbonate lens, two wire construction and stainless steel base to resist corrosion
- Designed for years of trouble-free service featuring a gasket between the lens and base, as well as a gasket for mounting
- 8-3/4 in. diameter



Part Number	Description	Brand	Packaging	Master Carton
40-60-001	Security/Utility Light	Bargman	Bulk	30
40-60-004	Security/Utility Light-White Painted Base	Bargman	Bulk	15
<b>Replacement Parts</b>				
30-90-156	Bulb #1156, Single Filament	Bargman	Bulk	1,000



31-78-515



30-78-600



30-78-524



34-78-518



30-78-525

### UTILITY LIGHTS #78 SERIES

- Compact design is surface mounted with either polypropylene or chrome plated ABS base and either a clear or amber snap-in lens
- A remote switch is required
- Two wire construction, supply and ground
- CSA approved
- 5-15/16 in. x 3-1/2 in. x 2 in.

Part Number	Description	Brand	Packaging	Master Carton
30-78-515	White with Clear Lens	Bargman	Bulk	50
31-78-531	White with Clear Lens	Bargman	Clamshell	6
34-78-515	White with Clear Lens	Bargman	Display Card	25
30-78-522	Black with Clear Lens	Bargman	Bulk	50
30-78-600	Chrome with Clear Lens	Bargman	Bulk	50
30-78-516	White with Amber Lens	Bargman	Bulk	50
30-78-523	Black with Amber Lens	Bargman	Bulk	50
30-78-517	White with Switch with Clear Lens	Bargman	Display Bag	25
34-78-517	White with Switch with Clear Lens	Bargman	Display Card	25
30-78-524	Black with Switch with Clear lens	Bargman	Bulk	50
30-78-518	White with Switch with Amber Lens	Bargman	Bulk	50
34-78-518	White with Switch with Amber Lens	Bargman	Display Card	25
30-78-525	Black with Switch with Amber Lens	Bargman	Bulk	50
<b>Replacement Parts</b>				
30-78-021	Lens #78 Clear	Bargman	Bulk	190
34-78-021	Lens #78 Clear	Bargman	Display Card	25
30-78-022	Lens #78 Amber	Bargman	Bulk	190
34-78-022	Lens #78 Amber	Bargman	Display Card	25

### INTERIOR LIGHTS #76 SERIES

- Single or double 12 volt interior light with diffused lens optics
- Double light is available with single or dual switch
- Two wire construction, supply and ground
- Features a polypropylene base
- CSA listed/ approved for ceiling mount and specific wall mounts
- Contact your Horizon Global Representative for the specific wall mount applications
- 7.28 in. x 4.33 in. x 1.78 in.
- 11.02 in. x 4.33 in. x 1.78 in.



34-76-123



34-76-223



34-76-243

Part Number	Description	Brand	Packaging	Master Carton
30-76-123	Single Light #76 with Switch	Bargman	Bulk	100
34-76-123	Single Light #76 with Switch	Bargman	Display Bag	25
30-76-223	Double Light #76 with Switch	Bargman	Bulk	100
34-76-223	Double Light #76 with Switch	Bargman	Display Bag	25
30-76-243	Double Light #76 with Dual Switch	Bargman	Bulk	50
34-76-243	Double Light #76 with Dual Switch	Bargman	Display Bag	25
<b>Replacement Parts</b>				
30-90-021	Bulb #921	Bargman	Bulk	1,000
30-76-028	Lens #76	Bargman	Bulk	100
34-76-028	Lens #76	Bargman	Display Bag	25

## BULB SPECIFICATION



30-90-156



30-90-157



108891



30-84-057



30-90-021

Part Number	Bulb Type	Mean Spherical	Rated Amps / Candle Power	Watts	Brand	Packaging	Master Carton
30-90-156	1156	32	2.10	26.880	Bargman	Bulk	1,000
30-90-157	1157	32/3	2.10/0.59	26.880/8.260	Bargman	Bulk	100
108891	193	2	0.33	4.620	Wesbar	Bulk	40
30-84-057	2057	32/2	2.10/0.48	26.880/6.720	Bargman	Bulk	1,000
30-90-021	921	21	1.40	17.920	Bargman	Bulk	1,000

## LIGHTING TERMINOLOGY

### "Over 80" Combination Tail Lights

These units meet seven or eight DOT-108 lighting requirements when properly mounted. Seven function units meet tail light, stop light, rear turn signal light, rear reflex reflector, rear side marker light, rear side reflex reflector and rear clearance light. The eighth function met is license plate light. Trailers over 80 inches wide require the addition of front Clearance Lights and Rear Identification (ID) Lights. Consult Title 49 – Code of Federal Regulations-Section 571.108 (USA) or Section 108 of the Motor Vehicle Safety Regulations (Canada) for additional compliance requirements.

### "Under 80" Combination Tail Lights

These units meet six or seven DOT-108 lighting requirements when properly mounted. Six function units meet tail light, stop light, rear turn signal light, rear reflex reflector, rear side marker light and rear side reflex reflector. The seventh function met is license plate light. Consult Title 49 – Code of Federal Regulations-Section 571.108 (USA) or Section 108 of the Motor Vehicle Safety Regulations (Canada) for additional compliance requirements.

### "PC" Rated Clearance/Side Marker Lights

A single unit meets DOT-108 lighting requirements and has been photometrically certified at a specific installation angle to provide both clearance light and side marker light. In most cases, the light will have to be mounted on a 45° angle, Consult Title 49 – Code of Federal Regulations-Section 571.108 (USA) or Section 108 of the Motor Vehicle Safety Regulations (Canada) for additional compliance requirements to meet both functions' requirements with just one unit.



54209-010



54209-015



54209-020



54209-021

### LED HEAVY DUTY AG LIGHTS

- Available in single and dual units, these lights meet all ASABE S279.15 lighting requirements including 4cp to side on amber lens
- Dual lights designed for right hand and left hand horizontal mounting
- Rugged external housing and lens design
- Same mounting foot print hardware and electrical connections as incandescent equivalent
- Brake functions wired with SQ-4 plug
- 6 in. x 5-1/2 in. x 3 in., 10-1/2 in. x 5-1/2 in. x 3 in.

Part Number	Description	Packaging	Master Carton
54209-009	Single LED AG Light with 2 Wire Leads - Lens: Rear-Red, Front-Blank	Bulk	6
54209-011	Single LED AG Light with 2 Wire Leads - Lens: Rear-Amber, Front-Amber	Bulk	6
54209-010	Single LED AG Light with 2-Way Plug - Lens: Rear-Red, Front-Blank	Bulk	6
54209-012	Single LED AG Light with 2-Way Plug - Lens: Rear-Amber, Front-Amber	Bulk	6
54209-013	Single LED AG Light with 3 Wire Leads - Lens: Rear-Red, Front-Blank	Bulk	6
54209-015	Single LED AG Light with 3 Wire Leads - Lens: Rear-Amber, Front-Amber	Bulk	6
54209-014	Single LED AG Light with 3-Way Plug - Lens: Rear-Red, Front-Blank	Bulk	6
54209-016	Single LED AG Light with 3-Way Plug - Lens: Rear-Amber, Front-Amber	Bulk	6
54209-019	Dual RH LED AG Light with 3 Wire Leads - Lens: Rear-Red/Amber, Front-Amber/Blank	Bulk	5
54209-005	Dual LH LED AG Light with 3 Wire Leads - Lens: Rear-Amber/Red, Front-Blank/Amber	Bulk	5
54209-020	Dual RH LED AG Light with 3-Way Plug - Lens: Rear-Red/Amber, Front-Amber/Blank	Bulk	5
54209-006	Dual LH LED AG Light with 3-Way Plug - Lens: Rear-Amber/Red, Front-Blank/Amber	Bulk	5
54209-021	Dual RH LED AG Light with 4 Wire Leads - Lens: Rear-Red/Amber, Front-Amber/Blank	Bulk	5
54209-007	Dual LH LED AG Light with 4 Wire Leads - Lens: Rear-Amber/Red, Front-Blank/Amber	Bulk	5
54209-022	Dual RH LED AG Light with 4-Way Square Plug - Lens: Rear-Red/Amber, Front-Amber/Blank	Bulk	5
54209-008	Dual LH LED AG Light with 4-Way Square Plug - Lens: Rear-Amber/Red, Front-Blank/Amber	Bulk	5

NOTE: Reference page M-49 for mounting options

NOTE: Custom AG lighting and wiring kits are available. Contact your Horizon Global Representative for requirements and minimum annual quantities.



2-Way Plug



3 Wire Leads



4-Way Square Plug



4 Wire Leads





54003-040

### LED ECONOMY AG LIGHT KIT

- Left hand and right hand dual light units
- Includes 35 ft. wishbone wire harness, 7-Pin AG plug and tri-plugs
- 5 ft. of convoluted tubing included for protection in critical areas

Part Number	Description	Packaging	Master Carton
54003-040	LED AG Light Kit	Boxed	1
Replacement Parts			
54209-006	Dual LH LED AG Light with 3-Way Plug - Lens: Rear-Amber/Red, Front-Amber/Blank	Bulk	5
54209-020	Dual RH LED AG Light with 3-Way Plug - Lens: Rear-Red/Amber, Front-Amber/Blank	Bulk	5

US Patent D347,903/5,335,155

NOTE: Reference page M-49 for mounting options



54003-041

### LED AG TRANSPORT LIGHT KIT

- Left and right hand dual light units with brake function
- Includes 46 ft. round wishbone cable, (4) 90 lbs. magnets and a 7-Pin round plug

Part Number	Description	Packaging	Master Carton
54003-041	Deluxe AG LED Transport Light Kit with Brake Light Function, 7-Pin	Boxed	1
Replacement Parts			
54209-008	Dual LH LED AG Light with 4-Way Square Plug - Lens: Rear-Amber/Red, Front-Amber/Blank	Bulk	5
54209-022	Dual RH LED AG Light with 4-Way Square Plug - Lens: Rear-Red/Amber, Front-Amber/Blank	Bulk	5
002590	Magnet Kit, 90 lbs. Pull	Poly Bag	12

US Patent D347,903/5,335,155

NOTE: Reference page M-49 for mounting options



54003-138

### LED PEDESTAL MOUNT AG LIGHTS

- Meets ASABE S279, FMVSS-108DOT, and EC requirements
- AMECA certified
- Amber lamps meet 4cp sidelight requirements in horizontal and vertical mounting options
- Custom connector options available
- Lamps are waterproof with 16 wire gage
- Diameter: 4-3/4 in. x Height: 5 in. x Cable Length: 12 in.



Part Number	Description	Packaging	Master Carton
54209-031	Pedestal Mount Single AG LED Light with Amber/Amber	Bulk	24
54209-032	Pedestal Mount Single AG LED Light with Red	Bulk	24
54209-047	Pedestal Mount AG LED Light with Amber	Bulk	12
54209-048	Pedestal Mount Single AG LED Light with Red	Bulk	12
54003-137	Economy AG LED Light Kit, 7-Pin, with Pedestal Mount Amber/Amber/Red, Tri-Mold with 35 ft. Wishbone Harness	Boxed	1
54003-138	Deluxe AG LED Transport Kit with Brake Light Function, 7-Pin, Amber/Amber/Red, with 46 ft. Wishbone Harness	Boxed	1



002670

**ECONOMY AG LIGHT KIT**

- Left hand and right hand dual light units
- Includes 35 ft. wishbone wire harness, 7-Pin AG plug and tri-plugs
- 5 ft. of convoluted tubing included for protection in critical areas

Part Number	Description	Packaging	Master Carton
002670	Standard AG Light Kit	Boxed	1
<b>Replacement Parts</b>			
8260001	Dual AG Light with Amber/Red	Bulk	24
8260101	Dual AG Light with Red/Amber	Bulk	24

US Patent D347,903/5,335,155

NOTE: Reference page M-49 for mounting options

NOTE: Custom AG lighting and wiring kits are available. Contact your Horizon Global Representative for requirements and minimum annual quantities.



8260501

8260601



8261605

**HEAVY DUTY AG LIGHT KITS**

- Left hand and right hand dual light units
- Includes 35 ft. wishbone wire harness, 7-Pin AG plug and tri-plugs
- 5 ft. of convoluted tubing included for protection in critical areas

Part Number	Description	Packaging	Master Carton
8260501	Single AG Light 2 Wire with 3-Way Plug - Lens: Rear-Red, Front-Blank	Bulk	24
8260601	Single AG Light 2 Wire with 3-Way Plug - Lens: Rear-Amber, Front-Amber	Bulk	24
8261001	Single AG Light 3 Wire with 3-Way Plug - Lens: Rear-Red, Front-Blank	Bulk	24
8260602	Single AG Light 2 Wire with 2-Way Weatherpack Plug - Lens: Rear-Amber, Front-Amber	Bulk	24
8261002	Single AG Light 3 Wire with 3-Way Weatherpack Plug - Lens: Rear-Red, Front-Blank	Bulk	24
8260001	Dual LH AG Light 3 Wire with 3-Way Plug - Lens: Rear-Amber/Red, Front-Blank/Amber	Bulk	24
8260101	Dual RH AG Light 3 Wire with 3-Way Plug - Lens: Rear-Red/Amber, Front-Amber/Blank	Bulk	24
8261501	Dual LH AG Light 4 Wire with 4-Way Square Plug - Lens: Rear-Amber/Red, Front-Blank/Amber	Bulk	24
8261601	Dual RH AG Light 4 Wire with 4-Way Square Plug - Lens: Rear-Red/Amber, Front-Amber/Blank	Bulk	24
8261605	Dual RH AG Light 4 Wire with 4-Way Weatherpack Plug - Lens: Rear-Red/Amber, Front-Amber/Blank	Bulk	24

<b>Replacement Parts</b>			
30-90-157	Bulb #1157, Double Filament	Bulk	100
802650	Lens Amber, AG Lamp	Bulk	100
802651	Lens Red, AG Lamp	Bulk	100
802652	Insert Black, AG Lamp	Bulk	100



2-Way Weatherpack Plug



4-Way Weatherpack Plug

### AG TRANSPORT LIGHT KIT

- Left and right hand dual light units with brake function
- Includes 46 ft. round wishbone cable, (4) 90 lbs. magnets and either a 7-Pin or 6-Pin round plug



002675

Part Number	Description	Packaging	Master Carton
002675	Deluxe AG Transport Kit with Brake Light Function, 6-Pin	Boxed	1
002676	Deluxe AG Transport Kit with Brake Light Function, 7-Pin	Boxed	1
Replacement Parts			
8261501	Dual AG Light with Amber/Red and Brake Light Function	Bulk	24
8261601	Dual AG Light with Red/Amber and Brake Light Function	Bulk	24
002590	Magnet Kit, 90 lbs. Pull	Poly Bag	12

US Patent D347,903/5,335,155

NOTE: Reference page M-49 for mounting options

### LED WORK LIGHTS

- Perfect for exterior use in AG, horse, livestock, RV, industrial and racing applications
- Environmentally sealed design with aluminum housing and stainless steel mounting stud
- High power, true white 9-36V, 10W light emission
- Circular: 4.5 in. diameter x 1.50 in. depth
- Rectangular: 4 in. x 4 in. x 1.50 in. depth



54209-001



54209-002

Part Number	Description	Packaging	Master Carton
54209-001	Circular LED Light, 8 Diodes	Bulk	24
54209-002	Rectangular LED Light, 10 Diodes	Bulk	24

### LED WORK LIGHTS WITH COILED CORD AND MAGNETIC BASE

- Perfect for exterior use in AG, horse, livestock, RV, industrial and racing applications
- Environmentally sealed design with 19 ft. extended coiled cord
- Magnetic base, with protective film, secures in high vibration conditions in a vertical or horizontal position
- Power adapter for 12V outlet with separate on/off switch
- High power, true white 9-36V, 10W light emission
- Circular: 4.5 in. diameter x 1.875 in. depth
- Rectangular: 4 in. x 4 in. x 1.75 in. depth



54209-017



54209-018

Part Number	Description	Packaging	Master Carton
54209-017	Circular LED Light, with Cord, Magnetic Base, 8 Diodes	Bulk	2
54209-018	Rectangular LED Light, with Cord, Magnetic Base, 10 Diodes	Boxed	2

## AGRICULTURAL LIGHTING

### AG LIGHTS

Meet lighting standards for agricultural field equipment and improve highway operating safety easily and cost effectively with AG Lights by Horizon Global. No other lighting package offers you the quality and dependability of AG Lights by Horizon Global. Designed specifically for the agricultural industry, AG Lights by Horizon Global withstand the most rigorous field and environmental conditions for long life and wear without repair. A variety of mounts enable easy and quick placement on all towable field equipment – harvesters, field cultivators, tillage equipment, forage boxes, and more.

### SAFETY IS KEY

Meet ASAE lighting recommendations for agricultural equipment and improve safety, while operating on highways easily and cost effectively, with AG Lights by Horizon Global. No other lighting package offers you the quality, durability, and reliability of AG Lights by Horizon Global. Designed specifically for the agricultural industry, these Heavy-Duty AG Lights, when combined with Horizon Global's AG Wiring, withstand the most rigorous field and environmental conditions for long life and wear.



### DURABLE, DEPENDABLE CONSTRUCTION

- High-impact, glass-filled thermoplastic housings deflect objects away from the lens area and prevent them from damaging or dislodging the lights assembly
- Acrylic lenses
- All fasteners provided are coated to resist rust
- Bulb replacement, if ever needed, is simple – uses readily available standard automotive #1157 bulbs

### USER-FRIENDLY DESIGN

- AG Harnesses are designed with a full-length ground circuit, from tractor to AG Lamp, assuring reliable and continuous operation
- Each light's wiring is routed through a center port area, helping facilitate a variety of light placement
- AG Lights by Horizon Global are available with a variety of connector options
- Choose from mounting screws, bolts, or heavy-duty magnets to meet your mounting needs
- All lighting units are designed for easy customer repairs... right in the field. Pry out lenses with flat screwdriver for easy access to, and replacement of, the #1157 bulb
- Five distinctly different light styles to meet your performance and styling requirements

### ELECTRONIC ENHANCED AG LIGHTING MODULE

Horizon Global, known for innovation and product reliability, presents an electronic module to deliver the ASAE recommended "enhanced turn signal lighting" with conventional AG lights and a standard wiring scheme. This unit may be hard-wired into the AG lighting harness or coupled-in by use of a variety of plug assemblies.

Use of Horizon Global's electronic enhanced AG lighting module helps to meet the new ASAE standard cost effectively. It eliminates the need for special wedge-based bulbs and non-standard wire schemes to deliver the enhanced turn signal lighting called for by this ASAE standard.

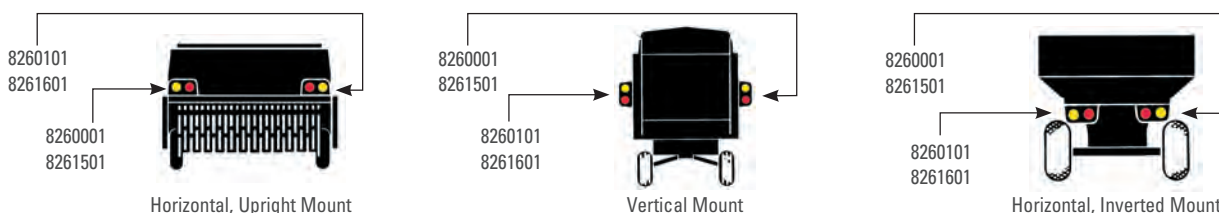
Refer to the Standard AG Implement Enhanced Lighting Guide.

### MULTIPLE MOUNTING OPTIONS

A variety of mounts enable suitable placement on tractors and all towable field equipment – harvesters, cultivators, tillage equipment, fertilizers, forage boxes, and more. Heavy-Duty AG Lights by Horizon Global have a patented design incorporating multiple mounting options and lighting combinations. Dual AG Light models provide amber flashing and turn indicators plus red tail light functions. Amber or red single lights provide maximum mount flexibility (vertically or horizontally) to meet applicable lighting requirements. All AG Lights by Horizon Global, except the grommeted series, are equipped with an exclusive molded weather-resistant low profile tri-plug. Custom plug configurations are also available.

Additionally, an optional brake light function is available for dual light or single red-lensed models. This optional function is also needed on lights used with enhanced turn light systems. The brake light option is recommended when implements are to be towed by non-farm vehicles or tractors with brakes (brake lights).

### AG SAFETY LIGHTING SYSTEMS



## LIGHTING TIPS AND FAQs

### **Do I have to use a light or can I use a reflector instead?**

Lighting and conspicuity requirements are governed by FMVSS and CMVSS 108. Their use is determined by safety and identification requirements.

### **What regulations apply to the lighting of a trailer or motor coach?**

In the USA, FMVSS 108  
In Canada, CMVSS

**Why use LED and not Incandescent?** The key difference is the way both technologies operate. While both technologies are an acceptable means for vehicle lighting, LED is the stronger technology in energy efficiency, light output, reliability, safety and life expectancy.

**Do LED lights have to be mounted differently than Incandescent?** No, the FMVSS/CMVSS 108 mounting requirements are the same.

**When retrofitting a Bargman 59 or 84/85/86 Series Incandescent light with LED can the old lenses be reused?** No, Bargman 59 and 84/85/86 Series LED module kits come with pre-assembled lenses and a simple "plug & play" replacement design.

**What does stop/tail/turn mean? How many lights do I need to use to achieve it? Are they the same as "Tail Lights"?** Stop/Tail/Turn is a combination rating, meaning a specific light or grouping of lights in an assembly meet the requirements for this named combination. This rating can be achieved using 1 light alone, as long as the light source meets the requirements for the specific application.

**Why does Horizon Global offer so many different types and styles of lights for a vehicle?** Horizon Global is never satisfied with the status quo and is continually striving to design lights that will meet the designated federal requirements and fit our customer's specific application needs.

**When using a Multi-Function Stop/Tail/Turn Light, is a Backup Light function required and does it matter where the Backup Light is located?** The requirement for and location of the Backup Light is determined by vehicle type and FMVSS/CMVSS 108 requirements.

**Why are some Turn Signal Lights Red and others Amber? Does it matter which color I use?** Yes, the color does matter. While both colors are acceptable for turn signals, the color use is primarily driven by the "Stop" Function. When using a multi-function Stop/Turn light, the color must be Red, as required by FMVSS/ CMVSS 108 requirements.

**What does "Over" or "Under" 80 refer to?** This is a reference to a vehicles width in inches. There are differing FMVSS/CMVSS 108 requirements covering this dimensional reference point.

### **What are "Over 80" Combination Tail Lights?**

These units meet seven or eight lighting requirements, as defined by FMVSS/CMVSS 108.

**What are "Under 80" Combination Tail Lights?** These units meet six or seven lighting requirements, as defined by FMVSS/CMVSS 108.

**What is the difference between Side Marker and Clearance Lights?** Side Marker Lights are mounted on the side of a vehicle and are used to define its length. Clearance Lights are mounted on the front and rear of a vehicle and are used to define its width.

### **What are "PC" Side Marker/Clearance Lights?**

These lights meet the FMVSS/CMVSS 108 requirements, for photometric certification as both Clearance and Side Marker Lights when properly mounted.



### **The symbol is for Wet Location Lights. What does it mean?**

Wet Location Lighting products in this catalog are either: "Waterproof/Sealed" or "Submersible" and both are safe to use on marine and other trailers that will be in and around the water or UL listed as suitable for wet location use.

**What are Submersible Lights?** Submersible lights purposely allow water to enter the light assembly, however a cushion of air forms when water enters the light and will protect the bulbs and electrical connectivity from damage. This natural phenomenon is known as the "Bell Jar Principle". These lights are ideal for boat trailers and utility trailers that will be submersed in water.

**What are Waterproof/Sealed Lights?** "Waterproof" and "Sealed" mean exactly the same - these lights are completely sealed and will not allow water to enter the inside of the light assembly. Many of our new LED Side/Marker and Tail Lights are completely sealed to prevent water from damaging the circuit board and components associated with LED Technology.

**Why are vehicle lights grounded?** Vehicle lights are grounded in order to complete the electrical circuit. There are differing ways to ground them to meet various applications.

**What is an ID Bar, and can one be used as a multi-function Stop/Tail/Turn as well?** An ID Bar is an identification Bar. It consists of 3 lights and is required in order to identify the rear center location on over 80 in. vehicles. They May Not be used as Multi-Function Lights.



47-85-711†

**LAST CHANCE**

## ENHANCED HEIGHT TAIL LIGHT LENS #84/85/86 SERIES

Part Number	Description	Substitute Part Number	Packaging	Master Carton
47-85-711†	Enhanced Height Incandescent Backup Lens Only, Red Reflex with Clear Center, Chrome Border	-	Bulk	20



54200-013†

**LAST CHANCE**

## WATERPROOF LED 4 IN. ROUND TAIL LIGHT

Part Number	Description	Substitute Part Number	Packaging	Master Carton
54200-013†	Enhanced Height Incandescent Backup Lens Only, Red Reflex with Clear Center, Chrome Border	54200-012	Clamshell	3



54209-025†

**LAST CHANCE**

## LED WORK LIGHT

Part Number	Description	Substitute Part Number	Packaging	Master Carton
54209-025†	Rectangular LED Light, 10 Diodes with Molded 2-Flat Plug	54200-002	Bulk	24

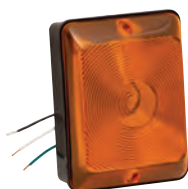


30-86-005†

**LAST CHANCE**

## WRAP-AROUND CLEARANCE/SIDE MARKER LIGHT #86 SERIES

Part Number	Description	Substitute Part Number	Packaging	Master Carton
30-86-005†	Red with Colonial White Base	34-86-202	Bulk	20



30-86-107†

**LAST CHANCE**

## SINGLE TAIL LIGHT #86 SERIES

Part Number	Description	Substitute Part Number	Packaging	Master Carton
30-86-107†	Amber Turn with Black Base	-	Bulk	40



30-84-001†

**LAST CHANCE**

## RECESSED DOUBLE TAIL LIGHT #84 SERIES

Part Number	Description	Substitute Part Number	Packaging	Master Carton
30-84-001†	Horizontal Mount with Red Stop/Tail/Turn, Backup Lens with Colonial White Base	30-84-540	Bulk	20



30-84-001†

**LAST CHANCE**

## RECESSED TRIPLE TAIL LIGHT #84/85 SERIES

Part Number	Description	Substitute Part Number	Packaging	Master Carton
30-84-523†	Vertical Mount with Red, Red Stop/Tail/Turn, Backup with White Base	30-84-002	Bulk	20

2423274†

**LAST CHANCE**

## PEDESTAL MOUNT TAIL LIGHT

Part Number	Description	Substitute Part Number	Packaging	Master Carton
2423274†	Double Face, Red Stop/Tail/Turn, Amber Marker/Turn	-	Bulk	25

47-106854†


**LAST CHANCE**

## WATERPROOF LED CLEARANCE/SIDE MARKER LIGHTS

Part Number	Description	Substitute Part Number	Packaging	Master Carton
47-106854†	Clearance Light LED Clear Lens with Amber Diodes	47-106853	Bulk	50
47-107048†	Clearance Light LED Clear Lens with Red Diodes	47-107047	Bulk	50

54201-015†


**LAST CHANCE**

## LED CLEARANCE/SIDE MARKER LIGHT 2-1/2 IN. ROUND

Part Number	Description	Substitute Part Number	Packaging	Master Carton
54201-015†	LED Red Clearance Light with Mounting Flange	54201-016	Bulk	100

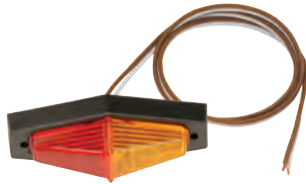
30-58-007†


**LAST CHANCE**

## CLEARANCE/SIDE MARKER LIGHTS #58 SERIES

Part Number	Description	Substitute Part Number	Packaging	Master Carton
30-58-007†	Utility Light #58 Clear with White Base	-	Bulk	100
54201-010†	Clearance Light #58 Amber with Black Base	30-58-002	Bulk	100

40-40-004†


**LAST CHANCE**

## CLEARANCE/SIDE MARKER LIGHTS #40 SERIES

Part Number	Description	Substitute Part Number	Packaging	Master Carton
40-40-004†	Fender Mount, Red/Amber with Black Base	40-40-104	Bulk	1
44-40-004†	Fender Mount, Red/Amber with Black Base	40-40-104	Display Bag	25

323356†


**LAST CHANCE**

## RECTANGULAR REFLECTORS

Part Number	Description	Substitute Part Number	Packaging	Master Carton
323357†	Amber with Adhesive Back, with Mounting Holes, 4-3/8 in. x 1-1/4 in.	003357	Bulk	100
323356†	Red with Adhesive Back, with Mounting Holes, 4-3/8 in. x 1-1/4 in.	003356	Bulk	100

30-60-005†


**LAST CHANCE**

## INTERIOR DOME LIGHTS 5 IN. ROUND WITH CHROME BASE

Part Number	Description	Substitute Part Number	Packaging	Master Carton
30-60-004†	Interior Dome Light 5 in. Round with Chrome Base	-	Blister Card	-
30-60-005†	Interior Dome Light 5 in. Round with Chrome Base with Switch	-	Blister Card	-

8260502†


**LAST CHANCE**

## HEAVY DUTY AG LIGHT KIT

Part Number	Description	Substitute Part Number	Packaging	Master Carton
8260502†	Single AG Light 2 Wire with 2-Way Weatherpack Plug - Lens: Rear-Red, Front-Blank	-	Bulk	24

† = Available while supplies last

# STANDARD AG IMPLEMENTED ENHANCED LIGHTING SCHEME

Under both the standard and enhanced lighting schemes, when traveling straight forward, the amber (outside) lights flash in unison with the tractor's amber lights on the high intensity at approximately 100 pulses per minute, and the low intensity of the red (inside) lights are on constantly.

With the standard wire harness in place, when a turn is being signaled, the amber light signaling the turn will increase flashing to approximately 120 pulses per minute with the amber light on the opposite side changing to a constant high intensity light. This mirrors the amber light on the tractor. Both red lights, however, remain on a constant low intensity.

To meet the enhanced lighting standard, introduce Electronic AG Light Enhanced Module to the implement's wire harness, and simply add red lights that have an active high intensity along with an additional RH and LH wire to these red lights. With this enhanced AG lighting system, during a turn the red light next to the amber turn side light will rapidly flash on the high intensity in unison with the amber light, and the red light on the opposite side will remain constant on the high intensity. This is a dramatic safety feature to better signal (to everyone) turns by tractors and implements.

## NORMAL DRIVING MODE

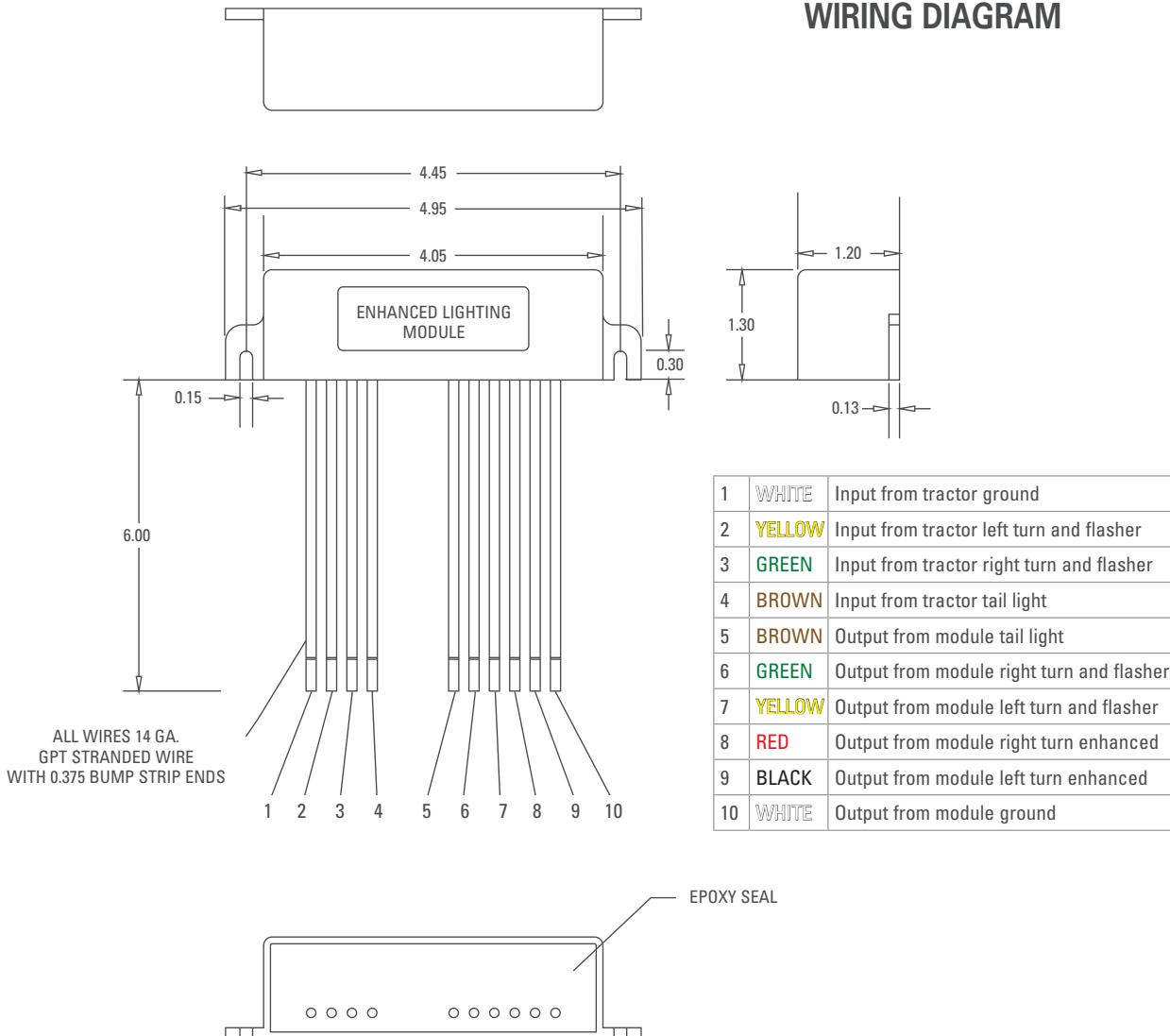
1. **RED** tail light (low filament) steady burn if turned on.
2. **AMBER** warning lights flashing in unison with tractor at 60 to 85 flasher per minute.

## TURNING MODE

1. **AMBER** flashing warning light and **RED** light opposite the direction of turn shall become steady burning. The **RED** light is on high filament.
2. **AMBER** flashing warning light in direction of turn shall increase in flashing a minimum of 20 flashed per minute. In addition, the **RED** light in the direction of turning shall change from steady burn to flash in unison with the **AMBER** turn light and will flash from high **RED** to low **RED** filament.

*NOTE: Electrical converter supplied with circuit protection on red and black leads.*

## WIRING DIAGRAM





## AG LIGHTING WIRING DIAGRAM WITH BRAKE

Under both the standard and enhanced lighting schemes, when traveling straight forward, the amber (outside) lights flash in unison with the tractor's amber lights on the high intensity at approximately 100 pulses per minute, and the low intensity of the red (inside) lights are on constantly.

With the standard wire harness in place, when a turn is being signaled, the amber light signaling the turn will increase flashing to approximately 120 pulses per minute with the amber light on the opposite side changing to a constant high intensity light. This mirrors the amber light on the tractor. Both red lights, however, remain on a constant low intensity.

To meet the enhanced lighting standard, introduce Electronic AG Light Enhanced Module to the implement's wire harness, and simply add red lights that have an active high intensity along with an additional RH and LH wire to these red lights. With this enhanced AG lighting system, during a turn the red light next to the amber turn side light will rapidly flash on the high intensity in unison with the amber light, and the red light on the opposite side will remain constant on the high intensity. This is a dramatic safety feature to better signal (to everyone) turns by tractors and implements.

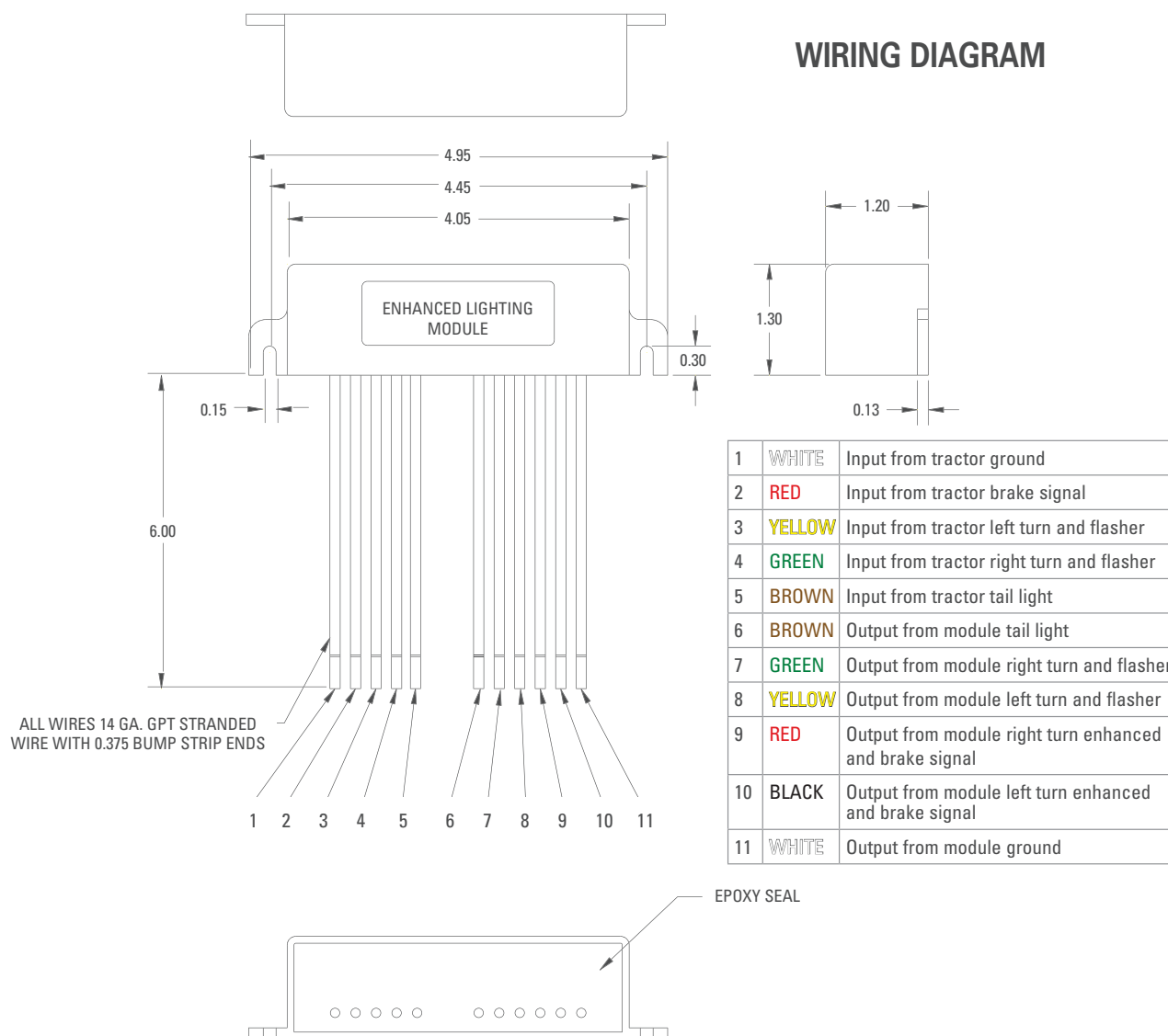
### NORMAL DRIVING MODE

1. **RED** tail light (low filament) steady burn if turned on.
2. **AMBER** warning lights flashing in unison with tractor at 60 to 85 flasher per minute, controlled by flasher in tractor.
3. **RED** stop lights (high filament) steady burn if the brake is applied.

### TURNING MODE

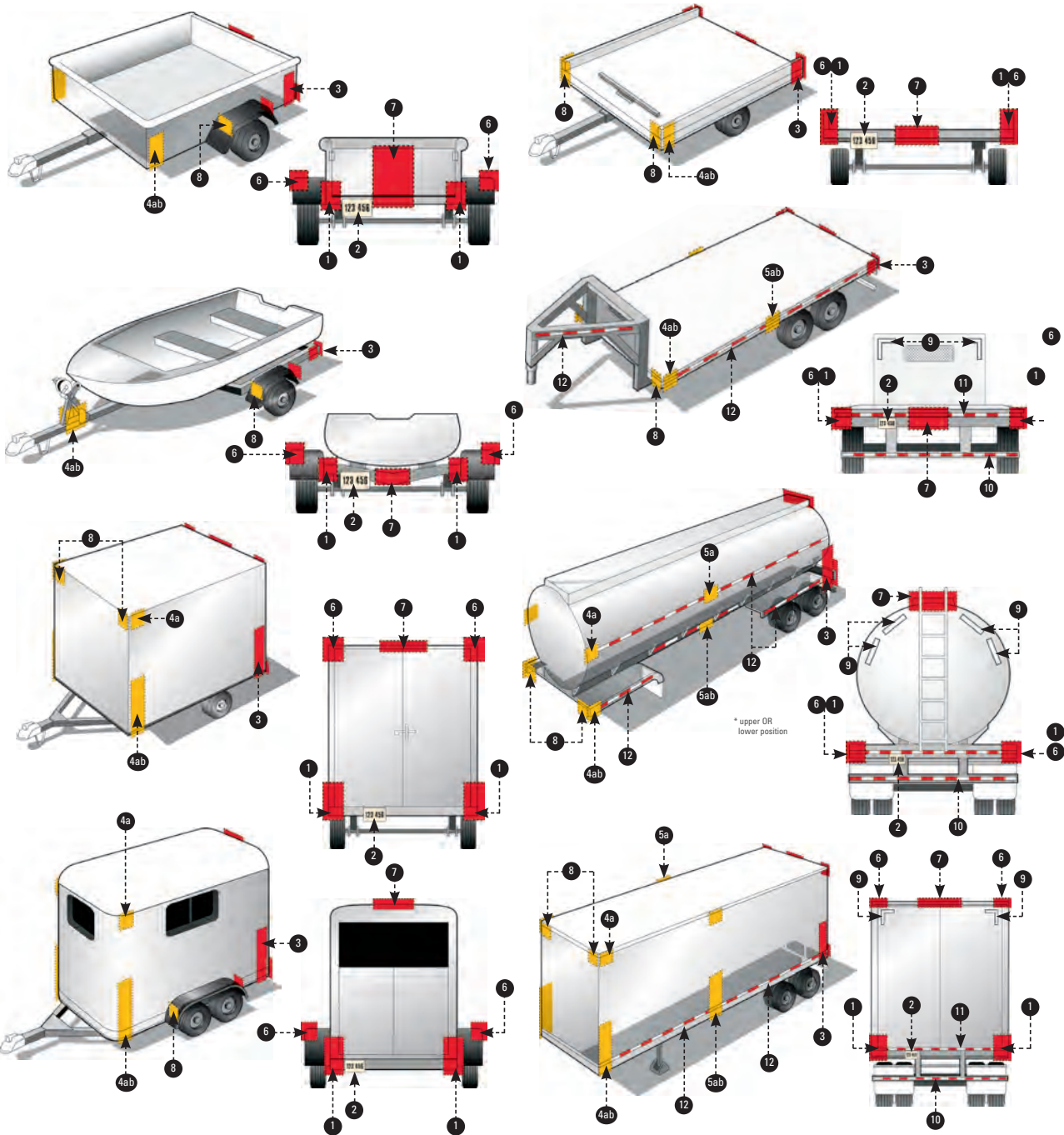
1. **AMBER** flashing warning light and **RED** light opposite the direction of turn shall become steady burning. The **RED** light is on high filament.
2. **AMBER** flashing warning light in direction of turn shall increase in flashing a minimum of 20 flashed per minute. In addition, the **RED** light in the direction of turning shall change from steady burn to flash in unison with the **AMBER** turn light and will flash from high **RED** to low **RED** filament.
3. If brake is applied during turning mode there will be no change in the state of the light; hence turning mode overrides brake signal.

*NOTE: Electrical converter supplied with circuit protection on red and black leads.*



# TRAILER FEDERAL LIGHTING EQUIPMENT LOCATION REQUIREMENTS

**IMPORTANT NOTE:** Every lamp, reflex reflector, and conspicuity treatment must be permanently attached in the location specified below and must comply with all applicable requirements prescribed for it by FMVSS/CMVSS 108. The face of any device on the front/rear and sides should be, respectively perpendicular and parallel to the vehicle's centerline, unless it is photometrically certified at installation angle. No part of the vehicle shall prevent any device from meeting its prescribed requirements unless an auxiliary device meeting all prescribed requirements is installed. In Canada: Manufacturers and importers of vehicles must have the proper certification test records demonstrating compliance of lighting components with all prescribed requirements.



This table summarizes lighting equipment requirements contained in Federal/Canada Motor Vehicle Safety Standard 108. While Horizon Global believes this to be an accurate summary of the latest printed information, the actual standard should be consulted for design or other such purposes. For complete compliance requirements consult Title 49 - Code of Federal Regulations-Section 571.108 (USA) or Section 108 of the Motor Vehicle Safety Regulations (Canada). State or Provincial regulations, where they may apply, have not been included.

# TRAILER FEDERAL LIGHTING EQUIPMENT LOCATION REQUIREMENTS

## BASIC EQUIPMENT REQUIRED ON ALL TRAILERS

DESCRIPTION				MANDATORY REQUIREMENTS			
Area	Equipment	SAE Lens Coding	Functional Purpose	Quantity	Color	Location	Height mm(in.) from the ground
1	Tail Lamps	(T)	Indicate vehicle's presence and width	Minimum 2	Red	On the rear - symmetrical as far apart as practicable	380-1830 (15-72)
	Stop Lamps	(S)	Indicate braking	Minimum 2	Red	On the rear - symmetrical as far apart as practicable	380-1830 (15-72)
	Rear Turn Signal Lamps	(I)	Indicate direction of turn	Minimum 2	Red or Yellow	On the rear - symmetrical as far apart as practicable	380-2110 (15-83)
	Rear Reflex Reflectors	(A)	Indicate vehicle's presence and width	Minimum 2	Red	On the rear - symmetrical as far apart as practicable facing rearward	380-1530 (15-60)
2	License Plate Lamp(s)	(L)	Illuminates license plate	Minimum 1	White	On the rear - above or at the sides of license plate	No requirement
3	Rear Side Marker Lamps <small>*photometrically certified at installation angle</small>	(P2, PC* or P3, PC2*)	Front and rear side marker lamps / side reflex reflectors indicate vehicle's presence and length	Minimum 2	Red	Each side at rear as far back as practicable	380-1530 (15-60) no max. for veh. under 2032mm (80") wide
	Rear Side Reflex Reflectors	(A)		Minimum 2	Red facing sideward	Each side at rear as far back as practicable	380-1530 (15-60)
4	a Front Side Marker Lamps <small>*photometrically certified at installation angle</small>	(P2, PC* or P3, PC2*)		Minimum 2	Yellow	Each side at front as far forward as practicable	380 (15) minimum
	b Front Side Reflex Reflectors	(A)		Minimum 2	Yellow	Each side at front as far forward as practicable facing sideward	380-1530 (15-60)

## ADDITIONAL EQUIPMENT FOR TRAILERS EXCEEDING THE FOLLOWING PARAMETERS

Length 9.1m (30 ft.) or longer

DESCRIPTION				MANDATORY REQUIREMENTS			
Area	Equipment	SAE Lens Coding	Functional Purpose	Quantity	Color	Location	Height mm(in.) from the ground
5	a Intermediate Side Marker Lamps	(P2 or P3)	Indicate presence of a long vehicle	Minimum 2	Yellow	Each side near center facing sideward	380 (15) minimum
	b Intermediate Side Reflex Reflectors	(A)	Indicate presence of a long vehicle	Minimum 2	Yellow	Each side near center facing sideward	380-1530 (15-60)

Width 2032mm (80 in.) or wider

DESCRIPTION			MANDATORY REQUIREMENTS				
Area	Equipment	SAE Lens Coding	Functional Purpose	Quantity	Color	Location	Height
6	Rear Clearance Lamps <small>*photometrically certified at installation angle with tail lamps</small>	(P2, PC* or P3, PC2*)	Show vehicle's width MAY NOT be combined	Minimum 2	Red facing rearward	At widest point - symmetrical on the rear or near the rear ID lamps are at the top	As high as practicable may be lower only if
7	Rear Identification (ID) Lamps	(P2 or P3)	Indicate presence of a wide vehicle	Exactly 3	Red	On the rear - center horizontally spaced 150mm (6 in.) to 300mm (12 in.) apart facing rearward	At the top - may be lower if door header narrower than 25mm
8	Front Clearance Lamps <small>*photometrically certified at installation angle</small>	(P2, PC* or P3, PC2*)	Show vehicle's width	Minimum 2	Yellow facing forward	At widest point - symmetrical on the front or near the front	As high as practicable

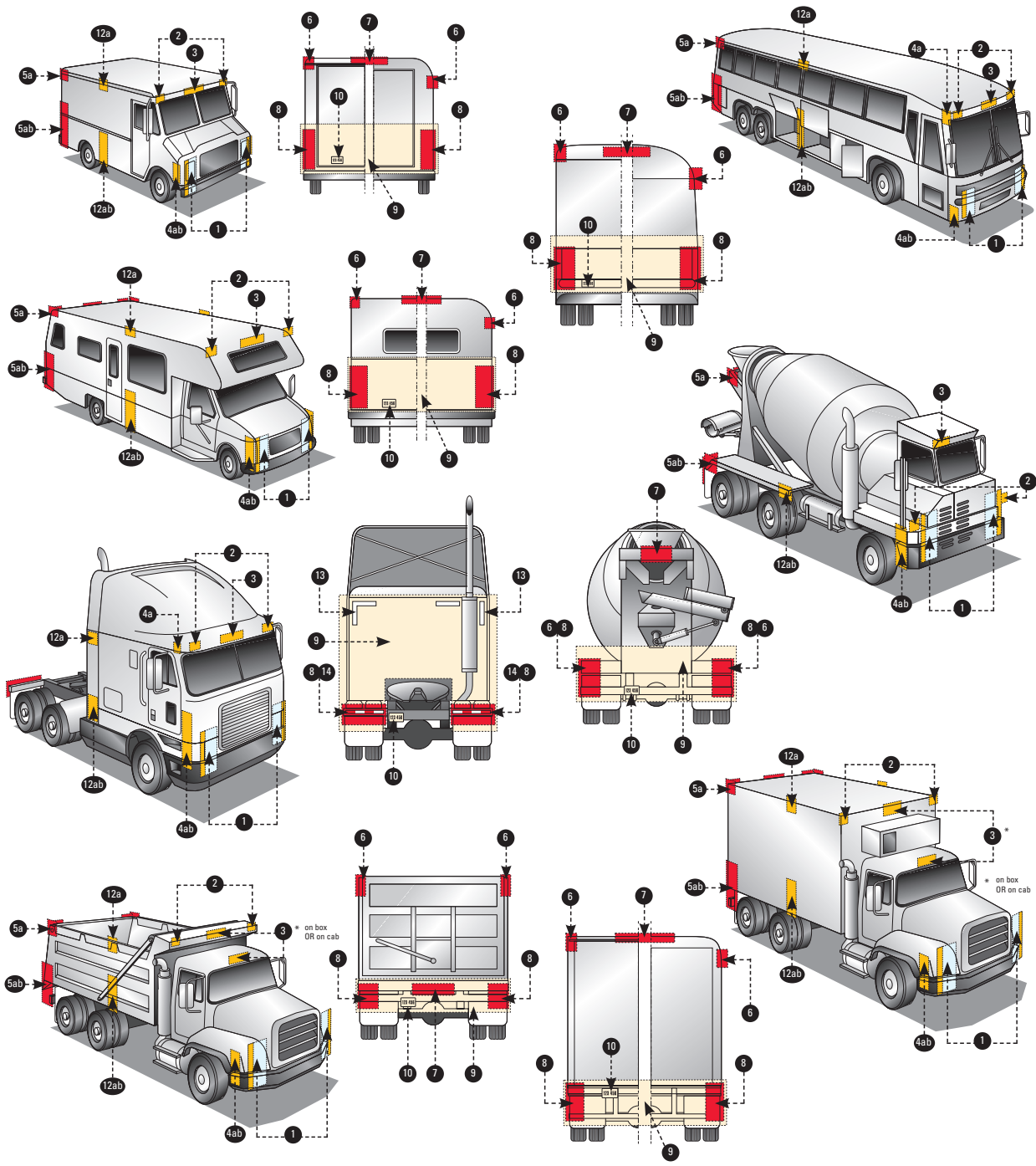
Width 2032mm (80 in.) or wider AND GVWR 4536 kg (10,000 lb.) or more

DESCRIPTION			MANDATORY REQUIREMENTS				
Area	Conspicuity Treatment	DOT Coding	Quantity	Color	Location	Height	Options
9	Rear Upper Body Markings		Exactly 2 pairs of 300mm long strips	White	On the rear upper corners facing rearward	At the top	
10	Bumper Bar Marking	DOT-C DOT-C2 DOT-C3 DOT-C4	Continuous	Red/White	On the rear bumper bar's horizontal element full width - facing rearward	No requirement	
11	Rear Lower Body Marking		Continuous	Red/White (see options)	On the rear full width of the vehicle facing rearward	As horizontal as practicable and as close as practicable to the range of 375 to 1525mm from the ground	
12	Side Marking		(see location)	Red/White (see options)	Each side - facing sideward continuous, or evenly spaced over minimum of 50% of length starts and ends as close to the front and rear of the vehicle as practicable	As horizontal as practicable and as close as practicable to the range of 375 to 1525mm from the ground	

NOTE: The edge of red conspicuity tape shall not be closer than 75 mm to the edge of any amber lamp and the edge of white conspicuity tape shall not be closer than 75 mm to the edge of any lamp

# TRUCK FEDERAL LIGHTING EQUIPMENT LOCATION REQUIREMENTS

**IMPORTANT NOTE:** Every lamp, reflex reflector, and conspicuity treatment must be permanently attached in the location specified below and must comply with all applicable requirements prescribed for it by FMVSS/CMVSS 108. The face of any device on the front/rear and sides should be, respectively perpendicular and parallel to the vehicle's centerline, unless it is photometrically certified at installation angle. No part of the vehicle shall prevent any device from meeting its prescribed requirements unless an auxiliary device meeting all prescribed requirements is installed. In Canada: Manufacturers and importers of vehicles must have the proper certification test records demonstrating compliance of lighting components with all prescribed requirements.



This table summarizes lighting equipment requirements contained in Federal/Canada Motor Vehicle Safety Standard 108. While Horizon Global believes this to be an accurate summary of the latest printed information, the actual standard should be consulted for design or other such purposes. For complete compliance requirements consult Title 49 - Code of Federal Regulations-Section 571.108 (USA) or Section 108 of the Motor Vehicle Safety Regulations (Canada). State or Provincial regulations, where they may apply, have not been included.

# TRUCK FEDERAL LIGHTING EQUIPMENT LOCATION REQUIREMENTS

## BASIC EQUIPMENT REQUIRED ON ALL TRUCKS, BUSES & MPVS

DESCRIPTION				MANDATORY REQUIREMENTS			
Area	Equipment	SAE Lens Coding	Functional Purpose	Quantity	Color	Location	Height mm(in.) from the ground
1	Headlamps - Lower Beam US requires "DOT" lettering on lens US&Canada - light source code required on lens	(H, HR)	Forward road illumination	Minimum 2 If 4 lamp system - outboard or above upper beams	White	On the front - symmetrical as far apart as practicable	560-1370 (22-54)
	Headlamps - Upper Beam US requires "DOT" lettering on lens US&Canada - light source code required on lens	(H, HR)	Forward road illumination	Minimum 2	White	On the front - symmetrical If 4 lamp system - inboard or below lower beams	560-1370 (22-54)
	Parking Lamps Vehicles less than 2032mm wide	(P)	Indicate parked vehicle	Minimum 2	White or Yellow	On the front - symmetrical as far apart as practicable	380-1830 (15-72)
	Daytime Running Lamps (DRL) Canada - required / US - option US requires "DRL" lettering on lens if not headlamp	(Y2)	Indicate in use vehicle	Minimum 2	White or Yellow	On the front - symmetrical as far apart as practicable on type of DRL	380 (15) min. Max. depends
Front Turn Signal/Hazard Warning Lamps		(I)	Indicate direction of turn/identify disabled vehicle	Minimum 2	Yellow	On the front - symmetrical as far apart as practicable	380-2110 (15-83)
2	Front Clearance Lamps Vehicles 2032mm wide or wider *photometrically certified at installation angle	(P2, PC* or P3, PC2*)	Show vehicle's width	Minimum 2	Yellow	At widest point - symmetrical on the front or near the front facing forward	As high as practicable
3	Front Identification Lamps (ID) Vehicles 2032mm wide or wider	(P2 or P3)	Indicate presence of a wide vehicle	Exactly 3	Yellow	On the front - center horizontally spaced 150 mm (6 in.) to 300 mm (12 in.) apart	As high as practicable or on top of the cab
4	a Front Side Marker Lamps *photometrically certified at installation angle	(P2, PC* P3, PC2*)	Front and rear side marker lamps / side reflex reflector indicate vehicle's presence and length	Minimum 2	Yellow	Each side at front as far forward as practicable	380 (15) minimum
	b Front Side Reflex Reflectors	(A)		Minimum 2	Yellow	Each side at front as far forward as practicable facing sideward	380-1530 (15-60)
5	a Rear Side Marker Lamps ** *photometrically certified at installation angle	(P2, PC* or P3, PC2*)	Rear side marker lamps / side reflex reflector indicate vehicle's presence and length	Minimum 2	Red	Each side at rear as far back as practicable	380 (15) minimum
	b Rear Side Reflex Reflectors ** **not required on Truck Tractors	(A)		Minimum 2	Red	Each side at rear as far back as practicable facing sideward	380-1530 (15-60)
6	Rear Clearance Lamps Vehicles 2032mm wide or wider Not required on Truck Tractors *photometrically certified at installation angle	(P2, PC* or P3, PC2*)	Show vehicle's width MAY NOT be combined with tail lamps	Minimum 2	Red	At widest point - symmetrical on the rear or near the rear facing rearward	As high as practicable may be lower only if rear ID lamps are at the top
7	Rear Identification (ID) Lamps Vehicles 2032mm wide or wider Not required on Truck Tractors	(P2 or P3)	Indicate presence of a wide vehicle	Exactly 3	Red	On the rear - center horizontally spaced 150mm (6 in.) to 300mm (12 in.) apart facing rearward	At the top may be lower if door narrower than 25mm
8	Tail Lamps	(T)	Indicate vehicle's presence and width	Minimum 2	Red	On the rear - symmetrical as far apart as practicable	380-1830 (15-72)
	Stop Lamps	(S)	Indicate braking	Minimum 2	Red	On the rear - symmetrical as far apart as practicable	380-1830 (15-72)
	Rear Turn Signal/Hazard Warning Lamps	(I)	Indicate direction of turn/identify disabled vehicle	Minimum 2	Red or yellow	On the rear - symmetrical as far apart as practicable	380-2110 (15-83)
	Rear Reflex Reflectors	(A)	Show vehicle's presence and width	Minimum 2	Red	On the rear - symmetrical as far apart as practicable	380-1530 (15-60)
9	Backup Lamp	(R)	Illuminates ground behind the vehicle and alert road users	Minimum 1	White	Rear	No requirement
10	License Plate Lamp(s)	(L)	Illuminates license plate	Minimum 1	White	On the rear - above or at the sides of license plate	No requirement
11	Center High Mounted Stop Lamp Vehicles less than 2032mm wide and 4536kg	(U3)	Indicates braking	1	Red	On the rear - centerline of the vehicle	860 (34) minimum

## ADDITIONAL EQUIPMENT FOR SPECIFIC VEHICLES VEHICLES 9.1m (30 ft.) LONG OR LONGER

DESCRIPTION				MANDATORY REQUIREMENTS			
Area	Equipment	SAE Lens Coding	Functional Purpose	Quantity	Color	Location	Height mm(in.) from the ground
12	a Intermediate Side Marker Lamps	(P2 or P3)	Indicate presence of a long vehicle	Minimum 2	Yellow	Each side near center	380 (15) minimum
	b Intermediate Side Reflex Reflectors	(A)	Indicate presence of a long vehicle	Minimum 2	Yellow	Each side near center facing sideward	380-1530 (15-60)

### Truck Tractors

DESCRIPTION		MANDATORY REQUIREMENTS					
Area	Conspicuity Treatment	DOT Coding	Quantity	Color	Location	Height	Options
13	Rear Upper Body Markings	DOT-C DOT-C2 DOT-C3 DOT-C4	Exactly 2 pairs of 300mm long strips	White	Rear upper corners of cab facing rearward	As high as practicable excluding fairings	
14	Rear Marking		Exactly 2 sections of min. 600mm each	Red/White	Rear - facing rearward - on fenders, on mud flap brackets, or within 300mm below the top of mud flaps	As horizontal as practicable and not higher than 1525mm from the ground	If mud flaps not used on the cab or frame mounted brackets

NOTE: The edge of red conspicuity tape shall not be closer than 75 mm to the edge of any amber lamp and the edge of white conspicuity tape shall not be closer than 75 mm to the edge of any lamp



# TRAILER ACCESSORIES

Draw-Tite® has been designing and manufacturing the world’s finest trailering products since 1946. That’s why it makes sense to use genuine Draw-Tite® products to ensure the integrity of your tow vehicle’s rig. Draw-Tite® components are designed and manufactured to work best with other Draw-Tite® products, and all are engineered to the same exacting standards for years of worry-free performance under the most demanding conditions.

Intelligent trailer braking is the key to the success of the Tekonsha® family of braking products. Established in 1964, Tekonsha® technology can be found in some of North America’s leading vehicle manufacturers ... a testimony to it’s superior performance history when it comes to stopping trailers. “No matter what you are towing, Tekonsha® can help you stop it”.

## BREAKAWAY SYSTEMS

Push To Test Systems .....	N-3
Standard Systems.....	N-4 - N-5
Switches.....	N-5
Batteries and Cases.....	N-6
Chargers.....	N-6

## TRAILER BRAKE PARTS

Electric Trailer Brake Assemblies .....	N-7
Replacement Parts.....	N-9 - N-12
Magnet Sets .....	N-10
Nuts and Bolts.....	N-11

## WHEEL PROTECTION

Bearing Kits and Protectors .....	N-11 - N-12
Grease Caps .....	N-12
Plastic Fenders .....	N-13

## TRAILER ACCESSORIES

Boat Guides .....	N-14
Marine Grade Carpeting .....	N-14
Outboard Motor Lock.....	N-14
Wheel Chocks.....	N-14
Adjustable Tow Bars .....	N-15
Safety Chains.....	N-15
D-Rings and Tow Hooks.....	N-16
Celvis Hooks and Quick Links.....	N-16
Spare Tire Carriers.....	N-17
Trailer Alignment Tool .....	N-18
Hazard Lights.....	N-18

## DISCONTINUED PRODUCTS..... N-19 - N-20

## TECHNICAL INFORMATION..... N-21 - N-26

# FEATURED

## PUSH TO TEST BREAKAWAY SYSTEM

- Push to Test: LED's indicate fully charged, charging or recharge
- Multi-stage integrated charger provides a fast recharge up to 12.8 volts. Once battery is fully charged, the automatic float mode is designed to provide a continuous charge without overcharging
- Activates trailer brakes upon separation of trailer and tow vehicle
- For use on 1, 2 or 3 axle trailers equipped with electric brakes
- Weather/corrosion resistant, heavy-duty polymer case to protect battery and charger
- See page N-3 for additional information



## BREAKAWAY SWITCHES

- Completely sealed breakaway switches to automatically set trailer brakes in case of accidental trailer breakaway
- Required by law in some states
- Emergency use only, not to be used to lock brakes when parked or stored
- Variety of switches and wire lengths available
- See page N-5 for additional information



## PLASTIC FENDERS

High density polyethylene (HDPE) fenders are injection molded and corrosion proof with impact resistant, 300 lbs. capacity. Fender's molded-in color are scratch proof and feature a built-in skirt and optional integral step pad.

- Handles temperature extremes
- Mounting slots
- Variety of styles and color options available
- See page N-13 for additional information



## SAFETY CHAINS

- Safety chains are required by law in most states
- Cross chains when towing for added safety
- Rated up to 26,400 lbs. capacity
- Available in clear zinc and yellow zinc finishes with a variety of chain lengths and chain end
- All chains conform to J684.6.3.4 SAE standards
- See page N-15 for additional information





50-85-313



5085115  
(Bracket Sold Separately)

### PUSH TO TEST BREAKAWAY SYSTEM

- Push to Test: LED's indicate fully charged, charging or recharge
- Multi-stage integrated charger provides a fast recharge up to 12.8 volts. Once battery is fully charged, the automatic float mode is designed to provide a continuous charge without overcharging
- Activates trailer brakes upon separation of trailer and tow vehicle
- For use on 1, 2 or 3 axle trailers equipped with electric brakes
- Weather/corrosion resistant, heavy-duty polymer case to protect battery and charger
- Tekonsha® breakaway switch with 48 in. lead wires or 7.5 in. lead wires
- 5 Amp-hr battery, battery box dimensions: 4.25 in. x 6.25 in. x 4.125 in.
- 2 or 3 mounting options
- Make sure battery is fully charged prior to towing

Part Number	Description	Packaging	Master Carton
50-85-313	Push to Test Breakaway System for 1 to 3 Axle Trailers with Electric Brakes, 2 Mounting Options, Includes Battery Box, 5 Amp Battery with Push to Test LED Test Meter, Integrated Multi-Stage Charger and 7.5 in. Breakaway Switch	Bulk	10
50-85-325	Push to Test Breakaway System for 1 to 3 Axle Trailers with Electric Brakes, 3 Mounting Options, Includes Battery Box, 5 Amp Battery with Push to Test LED Test Meter, Integrated Multi-Stage Charger and 48 in. Tekonsha Breakaway Switch	Bulk	10
<b>Accessory</b>			
5085115	Post Mount Bracket	Bulk	48

*NOTE: 3 and 4 axle trailers require minimum 5 Amp-hr battery. For optimal performance, replacement of breakaway electrical components is recommended every 3 to 5 years.*

### PUSH TO TEST BREAKAWAY SYSTEM

- Push to Test: LED's indicate fully charged or recharge
- Built in battery charger charges battery when plugged into the tow vehicle
- Breakaway switch with 7.5 in. or 48 in. lead wires
- 5 Amp-hr battery
- Activates trailer brakes upon separation of trailer and tow vehicle
- For use on 1, 2, or 3 axle trailers equipped with electric brakes
- 2 or 3 mounting options
- Make sure battery is fully charged prior to towing



50-85-320

Part Number	Description	Packaging	Master Carton
50-85-315	Push to Test Breakaway System for 1 to 3 Axle Trailers with Electric Brakes, 2 Mounting Options, Includes Battery Box, 5 Amp Battery with Push to Test LED Test Meter and 7.5 in. Breakaway Switch and Built-In Charger	Bulk	10
50-85-320	Push to Test Breakaway System with ABCD charger for 1 to 3 Axle Trailers with Electric Brakes, 3 Mounting Options, Includes Battery Box, 5 Amp Battery with Push to Test LED Test Meter, and 48 in. Breakaway Switch and Built-In Charger	Bulk	10
<b>Accessory</b>			
5085115	Post Mount Bracket	Bulk	48

*NOTE: 3 and 4 axle trailers require minimum 5 Amp-hr battery. For optimal performance, replacement of breakaway electrical components is recommended every 3 to 5 years.*





1026



20010



1028



20015

## BREAKAWAY SYSTEMS

- For use on 1, 2, 3 and 4 axle trailers equipped with electric brakes
- These complete systems incorporate the highest quality components in trailer breakaway systems
- Meet or exceed Department of Transportation (DOT) specifications regarding trailer breakaway and holding requirements
- If a breakaway occurs between your tow vehicle and your trailer, the breakaway systems will automatically apply consistent braking power to your trailer brakes
- Quick and easy to install, the systems comes with a weather/ corrosion resistant, heavy-duty polymer case to protect the battery and charger

Part Number	Description	Packaging	Master Carton
<b>For 1 and 2 Axle Trailers with Electric Brakes</b>			
1026	Includes 2018 Polymer Battery Case with A-Frame or Post Mounting Bracket, 2023 Rechargeable Sealed 12v 5 Amp-hr Lead Acid Battery and Terminals and 2005-P Breakaway Switch, Up to 3 Axles	Boxed	4
<b>For 1, 2, 3 and 4 Axle Trailers with Electric Brakes</b>			
2026	Includes 2018 Polymer Battery Case with A-Frame or Post Mounting Bracket, 2023 Rechargeable Sealed 12v 5 Amp-hr Lead Acid Battery and Terminals and 2010-P Breakaway Switch	Boxed	4
20005	Includes 2051 Lockable All Polymer Battery Case with Flat Surface Mounting, 2023 Rechargeable Sealed 12v 5 Amp-hr Lead Acid Battery and Terminals and 2010-P Breakaway Switch	Boxed	4
20010	Includes 20000 Lockable Polymer Battery Case with Weldable Flat Surface Mounting, 2023 Rechargeable Sealed 12v 5 Amp-hr Lead Acid Battery and Terminals and 2010-P Breakaway Switch	Boxed	4
<b>(With Charger)</b>			
<b>For 1 and 2 Axle Trailers with Electric Brakes</b>			
1028	Includes 2018 Polymer Battery Case with A-Frame or Post Mounting Bracket, 2023 Rechargeable Sealed 12v 5 Amp-hr Lead Acid Battery and Terminals, 2005-P Breakaway Switch and 1024 DC-tN-DC Accelerated Battery Charging Device (ABCD), Up to 3 Axles	Boxed	4
<b>(With Multi-Stage Integrated Charger)</b>			
<b>For 1, 2, 3 and 4 Axle Trailers with Electric Brakes</b>			
2028	Includes 2018 Polymer Battery Case with A-Frame or Post Mounting Bracket, 2023 Rechargeable Sealed 12v 5 Amp-hr Lead Acid Battery and Terminals, 2010-P Breakaway Switch and 2024-07 DC-tN-DC Heavy Duty Quick/Maintenance (Multi Stage) Battery Charger	Boxed	4
20015	Includes 2051 Lockable All Polymer Battery Case with Flat Surface Mounting, 2023 Rechargeable Sealed 12v 5 Amp-hr Lead Acid Battery and Terminals, 2010-P Breakaway Switch and 2024-07 DC-tN-DC Heavy Duty Quick/Maintenance (Multi Stage) Battery Charger	Boxed	4
20020	Includes 20000 Lockable Polymer Battery Case with Weldable Flat Surface Mounting, 2023 Rechargeable Sealed 12v 5 Amp-hr Lead Acid Battery and Terminals, 2010-P Breakaway Switch and 2024-07 DC-tN-DC Heavy Duty Quick/Maintenance (Multi Stage) Battery Charger	Boxed	4

NOTE: 3 and 4 axle trailers require minimum 5 Amp-hr battery. For optimal performance, replacement of breakaway electrical components is recommended every 3 to 5 years.



50-85-302

### BREAKAWAY SYSTEM

- Activates trailer brakes upon separation of trailer and tow vehicle
- For use on 1, 2 or 3 axle trailers equipped with electric brakes
- Weather/corrosion resistant, heavy-duty polymer case to protect battery and charger
- Breakaway switch with 7.5 in. lead wires
- 5 Amp/hr Battery, battery box dimensions: 5 in. x 4.125 in. x 4 in.
- Flat surface mounting, optional post mount bracket available
- Make sure battery is fully charged prior to towing

Part Number	Description	Packaging	Master Carton
50-85-302	Breakaway System	Bulk	10
50-85-312	Breakaway System with Charger	Bulk	10
Accessory Part			
5085115	Post Mount Bracket	Bulk	48



50-85-007

### BREAKAWAY SWITCHES

- Completely sealed breakaway switches to automatically set trailer brakes in case of accidental trailer breakaway
- Required by law in some states
- Emergency use only, not to be used to lock brakes when parked or stored

Part Number	Description	Packaging	Master Carton
50-85-007	Breakaway Switch with 48 in. Wires with Cable and Nylon Pin Assembly	Bulk	50
54-85-007	Breakaway Switch with 48 in. Wires with Cable and Nylon Pin Assembly	Poly Bag	25
2010-B125	Breakaway Switch with 48 in. Wires with Cable and Nylon Pin Assembly	Clamshell	25
2010-P	Breakaway Switch with 48 in. Wires with Cable and Nylon Pin Assembly	Clamshell	20
2005-B120	Breakaway Switch with 48 in. Wires with Cable and Nylon Pin Assembly, for use with 1-3 Axle Trailers	Bulk	60
2005-P	Breakaway Switch with 48 in. Wires with Cable and Nylon Pin Assembly, for use with 1-3 Axle Trailers	Bulk	20
2009-B60	Breakaway Switch with 48 in. Wires with Cable and Brass Pin Assembly	Bulk	60
2009-P	Breakaway Switch with 48 in. Wires with Cable and Brass Pin Assembly	Bulk	20
Replacement Parts			
50-85-002	48 in. Replacement Cable and Nylon Pin Assembly, for 50-85-007 Switch	Bulk	100
54-85-002	48 in. Replacement Cable and Nylon Pin Assembly, for 50-85-007 Switch	Poly Bag	25
2010-A	48 in. Replacement Cable and Nylon Pin Assembly, for 2010 Switch	Clamshell	250
2010-A-P	48 in. Replacement Cable and Nylon Pin Assembly, for 2010 Switch	Clamshell	10
2005-A	48 in. Replacement Cable and Nylon Pin Assembly, for 2005 Switch	Bulk	200
2009-A	48 in. Replacement Cable and Brass Pin Assembly, for 2009 Switch	Bulk	250
2009-A-P	48 in. Replacement Cable and Brass Pin Assembly, for 2009 Switch	Bulk	10



2010-B125



2005-B120



2009-B60

NOTE: Most states require breakaway switch with separate power supply when towing a trailer

2023



### SEALED LEAD ACID BATTERY

- 12v, sealed lead acid battery for use with breakaway systems on single, tandem and tri-axle trailers equipped with electric brakes
- Battery requires periodic recharging to maintain optimum performance

Part Number	Description	Packaging	Master Carton
2023	5 Amp-Hr Sealed Battery	Bulk	9
2023-X	5 Amp-Hr Sealed Battery	Bulk	5

2018



### BATTERY CASES

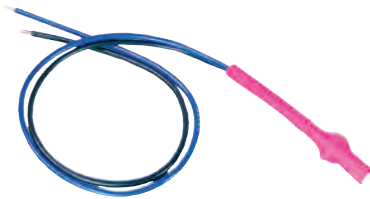
- Rust-proof heavy duty polymer cases protect battery and charger from elements and corrosion

Part Number	Description	Packaging	Master Carton
2018	Battery Case, One-Bolt Installation on Jackpost or A-Frame, Includes Mounting Bracket	Bulk	20
2051	Battery Case, Four-Bolt Installation on Flat Surface, Lockable	Bulk	20
20000	Battery Case, Two-Bolt or Weldable Installation on Flat Surface, Lockable	Boxed	20

20000



50-85-104



### BATTERY CHARGERS

- For all 12v battery systems with a 4 Amp-hr minimum output
- Temperature compensated design provides continuous recharge with automatic float mode feature to prevent overcharging
- Ideal for seasonal storage and maintenance of recreational vehicles, motorcycles, snowmobiles, lawn tractors, and more
- Patent pending

2024-07



Part Number	Description	Packaging	Master Carton
50-85-104	DC-tN-DC Accelerated Battery Charging Device (ABCD), Returns Trailer Breakaway System Batteries to Max Potential	Bulk	10
1024	DC-tN-DC Accelerated Battery Charging Device (ABCD), Returns Trailer Breakaway System Batteries to Max Potential	Clamshell	10
2024-07	DC-tN-DC Heavy Duty Multi Stage/Maintenance Charger, Designed to Fit Securely in Breakaway Battery Cases	Bulk	10
2024-07-S	DC-tN-DC Heavy Duty Multi Stage/Maintenance Charger, Designed to Fit Securely in Breakaway Battery Cases	Bulk	20
2025-09	AC-tN-DC Multi Stage Maintenance Charger, Automatic Float Mode Prevents Overcharging	Clamshell	20

2025-09





54801-005



54801-006



54801-003



54801-004

## SELF-ADJUSTING ELECTRIC TRAILER BRAKE ASSEMBLIES

- Replaces Dexter Electric Trailer Brake Assemblies
- Self-adjusting
- Units are assembled
- Replace in pairs
- Assemblies include: Backing Plate, Shoe and Linings, Magnets, Actuating Lever and Spring Hardware

Part Number	Description	Packaging	Master Carton
54801-005	10 x 2 1/4 Right Hand Brake Assembly - Self-Adjusting	Boxed	1
54801-006	10 x 2 1/4 Left Hand Brake Assembly - Self-Adjusting	Boxed	1
54801-007	12 x 2 Right Hand Brake Assembly - Self-Adjusting	Boxed	1
54801-008	12 x 2 Left Hand Brake Assembly - Self-Adjusting	Boxed	1

## ELECTRIC TRAILER BRAKE ASSEMBLIES

- Replaces Dexter Electric Trailer Brake Assemblies
- Units are assembled
- Assemblies include: Backing Plate, Shoe and Linings, Magnets, Actuating Lever, Adjusting Screw and Spring Hardware

Part Number	Description	Packaging	Master Carton
54801-001	10 x 2-1/4 Right Hand Brake Assembly	Boxed	1
54801-002	10 x 2-1/4 Left Hand Brake Assembly	Boxed	1
54801-003	12 x 2 Right Hand Brake Assembly	Boxed	1
54801-004	12 x 2 Left Hand Brake Assembly	Boxed	1
54801-023	10 x 2-1/4 Right Hand Brake Assembly	Boxed	1
54801-024	10 x 2-1/4 Left Hand Brake Assembly	Boxed	1
54801-025	12 x 2 Right Hand Brake Assembly	Boxed	1
54801-026	12 x 2 Left Hand Brake Assembly	Boxed	1

**ADJUSTING SCREW KIT  
(SPRING AND SCREW ASSEMBLY)**

Part Number	Description	Packaging	Master Carton
5404	10 x 2 1/4 AL-KO	Clamshell	10
	10 x 1 5/8 Hayes		
	10 x 1 1/2 Dexter		
	10 x 2 1/4 Hayes		
	10 x 2 1/4 Dexter		
	10 x 2 1/4 Fayette		
	10 x 2 1/4 Aimco		
	12 x 2 AL-KO		
	12 x 2 Hayes and		
	12 x 2 Hayes Centerline		
	12 x 2 Dexter and		
	12 x 2 Dexter 7K		
	12 x 2 Fayette		
	12 x 2 Aimco		
	12 x 2 Foreman		

**HOLD DOWN KIT (AXLE SET)**

Part Number	Description	Packaging	Master Carton
5353	10 x 2 1/4 AL-KO	Clamshell	10
	10 x 2 1/4 Hayes		
	10 x 2 1/4 Dexter		
	10 x 2 1/4 Fayette		
	10 x 2 1/4 Aimco		
	12 x 2 AL-KO		
	12 x 2 Hayes and		
	12 x 2 Hayes Centerline		
	12 x 2 Dexter and		
	12 x 2 Dexter 7K		
	12 x 2 Fayette		

**BEARING SET  
(14276 CUP, 14125A CONE)**

Part Number	Description	Packaging	Master Carton
5508	12 x 2 Dexter 6K and 7K 865 Hub (Out) 12 x 2 AL-KO 8 Hole 865 Hub (Out)	Clamshell	10

**BEARING SET  
(L44610 CUP, L44649 CONE)**

Part Number	Description	Packaging	Master Carton
5502	7 1/4 x 1 1/4 Hayes (In and Out)	Clamshell	10
	7 1/4 x 1 1/4 Foreman (In and Out)		
	7 x 1 1/4 Dexter BTL (In and Out)		
	7 x 1 1/4 Dexter BTR (In and Out)		
	7 1/4 x 1 1/4 Fayette (In and Out)		
	7 1/4 x 1 1/4 Foreman (In and Out)		
	10 x 1 5/8 Hayes (Out)		
	10 x 1 1/2 Dexter (Out)		
	10 x 2 1/4 AL-KO (Out)		
	10 x 2 1/4 Hayes (Out)		
	10 x 2 1/4 Dexter (Out)		
	10 x 2 1/4 Fayette (Out)		
	10 x 2 1/4 Foreman (Out)		

**RETURN SPRING SET (AXLE SET)**

Part Number	Description	Packaging	Master Carton
5305	10 x 2 1/4 Hayes (Dual Retractor - Prior to May 1977)	Clamshell	10
	10 x 2 1/4 Dexter		
	10 x 2 1/4 Aimco		
	10 x 2 1/4 Foreman		
	12 x 2 Aimco		
	12 x 2 Dexter (Dual Retractor) and 12 x 2 Dexter 7K		
5307	12 x 2 Foreman	Clamshell	10
	12 x 2 AL-KO		
	12 x 2 Hayes		
	12 x 2 Dexter (Single Retractor)		
	12 x 2 Fayette		

**SHOE AND LINING KITS  
(WHEEL SET)**

Part Number	Description	Packaging	Master Carton
5000-DX	12 x 2 Dexter 12 x 2 Fayette (Bonded Shoes) 12 x 2 Aimco 12 x 2 Foreman	Boxed	10
5003	10 x 2 1/4 Dexter	Boxed	10
5010	12 x 2 Dexter 7K	Boxed	10
6004	10 x 2 1/4 AL-KO 10 x 2 1/4 Hayes	Boxed	10
6005	12 x 2 AL-KO	Boxed	10

**BEARING SET  
(L68111 CUP, L68149 CONE)**

Part Number	Description	Packaging	Master Carton
5505	10 x 2 1/4 AL-KO (In) 10 x 2 1/4 Fayette (In) (After 1972) 10 x 2 1/4 Hayes (In) (After 1972) 10 x 2 1/4 Dexter (In) (After Dec. 1983) 12 x 2 Foreman (In) 12 x 2 AL-KO (In) 6 and 8 Hole	Clamshell	10

**BEARING SET  
(L44610 CUP, L44649 CONE)**

Part Number	Description	Packaging	Master Carton
5507	10 x 1 5/8 Hayes (In) 10 x 1 1/2 Dexter (In) 12 x 2 Hayes (Out) and 12 x 2 Hayes Centerline (Out) 12 x 2 Dexter (Out) 12 x 2 Fayette (Out) 12 x 2 Foreman (Out)	Clamshell	10

**BEARING SET  
(15245 CUP, 15123 CONE)**

Part Number	Description	Packaging	Master Carton
5509	12 x 2 Dexter 6K and 7K UTG Hub (Out) 12 x 2 AL-KO 6 and 8 Hole (865 Small)	Clamshell	10

## BEARING SET (25520 CUP, 25580 CONE)

Part Number	Description	Packaging	Master Carton
5503	12 x 2 AL-KO (In) 12 x 2 Hayes (In) and 12 x 2 Hayes Centerline (In) 12 x 2 Dexter (In) and 12 x 2 Dexter 7K (In) 12 x 2 Fayette (In) 12 x 2 Foreman (In) 12 x 2 AL-KO (In) 6 and 8 Hole	Clamshell	10

## GREASE CAP (AXLE SET)

Part Number	Description	Packaging	Master Carton
5651	7 x 1 1/4 Dexter 10 x 2 1/4 AL-KO 10 x 1 5/8 Hayes 10 x 1 1/2 Dexter 10 x 2 1/4 Hayes 10 x 2 1/4 Dexter 10 x 2 1/4 Fayette 10 x 2 1/4 Foreman	Clamshell	10
5652	12 x 2 AL-KO (Small Bore) 12 x 2 Hayes and 12 x 2 Hayes Centerline 12 x 2 Dexter and 12 x 2 Dexter 7K 12 x 2 Fayette 12 x 2 Foreman	Clamshell	10
6658	12 x 2 AL-KO (Large Bore)	Clamshell	10

## MAGNET RETAINING RING

Part Number	Description	Packaging	Master Carton
5120TEK	10 x 1 5/8 Hayes 10 x 2 1/4 Hayes (Old Style) 12 x 2 Hayes (Old Style)	Clamshell	10

## MAGNET SETS

Part Number	Description	Wire Color	Length (in.)	Width (in.)	Thickness (in.)	Packaging	Master Carton
5101-HA	Hayes 10 x 1 5/8 Hayes 10 x 2 1/4 Hayes 12 x 2 (All - Replaces in pairs) (All - After Late 1994)	Green	3-1/8	2	15/16	Boxed	20
5106	Dexter 10 x 2 1/4 Hayes 10 x 2 1/4 (After Mid 1987) Hayes 10 x 1 5/8 (After Mid 1987) Trailer Pac 102 Tow Craft 1103-100-017	Green	3-1/8	2-3/8	15/16	Boxed	20
5109	Dexter 12 x 2 Hayes 12 x 2 (After Late 1987) Trailer Pac 103 Tow Craft 1103-100-018	Green	3-1/8	2	15/16	Boxed	10
5113	Dexter 10 x 1 1/2 (Prior to Mid 1988) Dexter 7 x 1 1/4 (After April 1990)	White	2-1/16	1-15/16	3/4	Boxed	20
5114	Dexter 12 x 2, 7K Axles	Black	3-1/8	2	15/16	Boxed	20
6106	AL-KO Kober 10 x 2 1/4	Green	3-1/8	2-3/8	15/16	Boxed	20
6109	AL-KO Kober 12 x 2, 6K and 7K	Green	3-1/8	2	15/16	Boxed	20

## GREASE SEAL (AXLE SET)

Part Number	Description	Packaging	Master Carton
5602	7 1/4 x 1 1/4 Hayes	Clamshell	10
5603	7 x 1 1/4 Dexter (BTR)	Clamshell	10
5604	10 x 1 5/8 Hayes 10 x 2 1/4 AL-KO 10 x 2 1/4 Hayes 10 x 2 1/4 Dexter 10 x 2 1/4 Fayette	Clamshell	10
5605	12 x 2 Hayes and 12 x 2 Hayes Centerline 12 x 2 Fayette 12 x 2 AL-KO*	Clamshell	10
5606	12 x 2 Dexter (Prior 1997) and 12 x 2 Dexter 7K (Prior 1997)	Clamshell	10
5607	10 x 1 1/2 Dexter	Clamshell	10
5608	12 x 2 Dexter (After 1997 - A Series Only) and 12 x 2 Dexter 7K (After 1997 - A Series Only)	Clamshell	10
6604 / 5604	10 x 2 1/4 AL-KO	Clamshell	10
6605 / 5605	12 x 2 AL-KO*	Clamshell	10

## WIRE CLIP

Part Number	Description	Packaging	Master Carton
5122	10 x 1 1/2 Dexter 12 x 2 1/4 Dexter 12 x 2 Dexter	Clamshell	10

## MAGNET RETAINING CLIP

Part Number	Description	Packaging	Master Carton
5121TEK	10 x 2 1/4 Dexter 12 x 2 Dexter 12 x 2 Dexter 7K 10 x 2 1/4 Hayes (New Style) 12 x 2 Hayes (New Style)	Clamshell	10



WB100 0700

### WHEEL BEARING KITS

- Designed to fit most hubs used on boat, utility, snowmobile, and RV trailers
- Kit includes 2 bearing cones, 2 bearing cups, grease seal, and cotter pin

Part Number	Spindle Outer Diameter (in.)	Hub Diameter (in.)	Packaging	Master Carton
WB100 0700	1	1.980	Boxed	6
WB106 0700	1-1/16	1.980	Boxed	6
WB138T0700*	1-3/8 x 1-1/16	1.980	Boxed	6

\*Applies to tapered axle applications



### BEARING SETS

- Includes cup and cone

Part Number	Cup	Cone	Packaging	Master Carton
5508	14276	14125A	Clamshell	10
5509	15245	15123	Clamshell	10
5503	25520	25580	Clamshell	10
5502	L44610	L44649	Clamshell	10
5507	LM67010	LM67048	Clamshell	10
5505	L68111	L68149	Clamshell	10



### WHEEL NUTS AND BOLTS

- Secures wheel to brake drum
- Set of 5

Part Number	Description	Packaging	Master Carton
5780TEK	13/16 Wheel Nut, 1/2 - 20	Clamshell	10
5787	Wheel Bolt, 1/2 - 20	Clamshell	10



### BRAKE ASSEMBLY MOUNTING BOLTS

Part Number	Description	Packaging	Master Carton
5720	3/8 in. Brake Assembly Mounting Bolt, Used on 5 Bolt Mounting Patterns	Clamshell	10
5721	7/16 in. Brake Assembly Mounting Bolt, Used on 4 Bolt Mounting Patterns	Clamshell	10



### SPINDLE NUT KITS

- Secures brake hardware on spindle axles

Part Number	Description	Packaging	Master Carton
5774	Spindle Nut Kit, Standard Washer, 1 in. - 14 Spindle	Clamshell	10
5775	Spindle Nut Kit, D Type Washer, 1 in. - 14 Spindle	Clamshell	10



BPC1980604

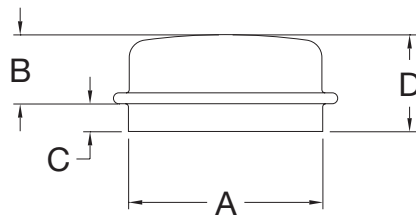
### BEARING PROTECTORS

- Protects wheel bearings from the elements during all trailer operations
- Automatically maintains the correct internal pressure – cannot damage seals
- Chrome-plated steel construction
- Sold in pairs and are available in bulk or full color display packages
- Some models include vinyl cover (see chart)

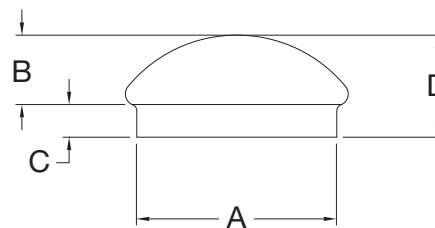
Part Number	Description	Hub Diameter (in.)	Packaging	Master Carton
BPC1980604	Bearing Protector with Covers	1.980	Clamshell	6
BP198S0304	Bearing Protector	1.980	Bulk	50
BP244S0304	Bearing Protector	2.441	Bulk	32
BP244S0604	Bearing Protector	2.4411	Clamshell	6
BB19800112	Bearing Protector Covers, (2 Pack)	1.980	Poly Bag	12

### GREASE CAPS

A = Flange Diameter (OD)    B = Crown Height    C = Flange Length    D = Overall Height



1500 Series



1600 Series

Part Number	Mat. Gauge	A Flange Diameter (in.)	B Crown Height (in.)	C Flange Length (in.)	D Overall Height (in.)	Packaging	Master Carton
<b>1500 Series</b>							
001501*	22	1.786	0.630	0.270	0.890	Boxed	500
-	22	1.786	0.880	0.280	1.160	Boxed	500
001503*	22	1.786	1.160	0.375	1.535	Boxed	500
001523	20	1.943	0.690	0.310	1.000	Boxed	500
001524	20	1.943	1.040	0.340	1.380	Boxed	500
001505*	22	1.968	0.780	0.375	1.156	Boxed	500
001521	20	1.988	0.750	0.220	1.030	Boxed	500
001520*	22	2.446	1.030	0.313	1.340	Boxed	300
001515*	20	2.567	1.080	0.281	1.360	Boxed	300
001526	20	2.722	1.130	0.312	1.440	Boxed	350
001531	16	3.155	1.430	0.370	1.800	Boxed	100
<b>1600 Series</b>							
100235*	16	2.333	0.840	0.370	1.210	Boxed	64
001601	16	2.333	0.910	0.370	1.281	Boxed	400
001604	16	2.446	0.880	0.280	1.160	Boxed	400
001605	16	2.722	1.030	0.310	1.340	Boxed	400
001609	16	3.125	1.010	0.296	1.310	Boxed	300
001607	16	3.155	1.160	0.218	1.375	Boxed	200
001602	16	3.255	0.610	0.530	1.145	Boxed	300

NOTE: All shown standards

\*Zinc-plated for corrosion resistance



## FENDERS

### PLASTIC FENDERS

High density polyethylene (HDPE) fenders are injection molded and corrosion proof with impact resistant, 300 lbs. capacity. Fender's molded-in color are scratch proof and feature a built-in skirt and optional integral step pad.

- Handles temperature extremes
- Mounting slots
- See diagrams below for specific fender measurements



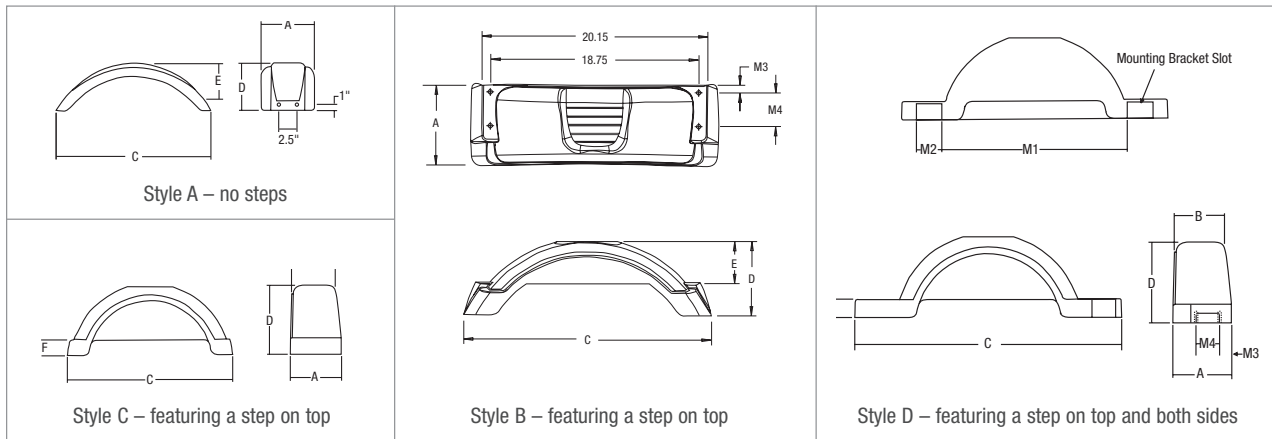
Style B - Top Step



Style C - Top Step



Style D - Top Step and Side Steps



Part Number White	Part Number Black	Part Number Silver	Tire Size (in)	Measurements (See Diagram)										Packaging	Master Carton
				A (in.)	B (in.)	C (in.)	D (in.)	E (in.)	F (in.)	M (1) (in.)	M (2) (in.)	M (3) (in.)	M (4) (in.)		
<b>Style A</b>															
008540	008550	-	8 - 12	7.000	-	20.25	6.250	4.620	-	-	-	2.250	2.500	Bulk	1
<b>Style B</b>															
008549	008559	-	8 - 12	7.350	-	22.30	6.500	3.750	2.180	-	-	0.075	3.000	Bulk	1
<b>Style C</b>															
008541	008551	008561	8 - 12	7.350	7.350	21.80	6.500	3.750	2.180	-	-	2.430	2.500	Bulk	1
008542	-	-	12	7.510	23.91	8.770	2.500	-	2.750	-	-	-	-	Bulk	1
008543	008553	008563	13	9.000	7.700	29.25	12.00	-	2.750	-	-	-	-	Bulk	1
-	008554	008564	14	9.700	8.000	31.30	12.75	-	3.000	-	-	-	-	Bulk	1
<b>Style D (US Patent D3)</b>															
008572	008582	008592	12	7.500	6.900	33.50	8.750	-	2.500	22.70	4.000	1.500	3.000	Bulk	1
008573	008583	008593	13	9.000	7.700	40.00	12.00	-	2.750	28.00	4.000	2.120	3.750	Bulk	1
508573	-	-	13	9.000	7.700	40.00	12.00	-	2.750	28.00	4.000	2.120	3.750	Bulk	1
008574	008584	008594	14	9.700	8.000	43.40	12.75	-	3.000	30.00	4.000	2.120	3.750	Bulk	1
508574	-	-	14	9.700	8.000	43.40	12.75	-	3.000	30.00	4.000	2.120	3.750	Bulk	1
-	008585	008595	15	10.25	6.700	45.00	14.85	-	3.000	34.00	4.000	2.120	3.750	Bulk	1



BGR20 0101

## BOAT GUIDES

- Boat guides help you visually guide your boat onto your trailer
- High-strength super gripper mounting brackets attach firmly above and below the trailer frame
- Easy bolt-on mounting fits trailer frames up to 3 in. x 5 in. high
- Adjustable to provide optimum fit to any hull design
- Sold in pairs

Part Number	Description	Upright Height (in.)	Packaging	Master Carton
GB44 0101	Non-Marring, Marine Grade PVC Tubing	44	Boxed	2
GB150 0100	Non-Marring, Marine Grade PVC Tubing	50	Boxed	2
BGR20 0101	Steel Construction with Non-Marring Cushioned Rollers	20	Boxed	2
Accessory Part				
500358	Cap for BGR20 0101		Poly Bag	50



CR8008

## MARINE GRADE CARPETING

- Marine grade carpeting allows the do-it-yourself-er to replace worn and dirty carpet on bunk trailers
- The carpet protects your boat investment by reducing scratching on the hull and keeps it in like-new condition
- Individual rolls are shrink-wrapped for shelf display

Part Number	Description	Packaging	Master Carton
CR8008	Bunk Carpeting, Black, 8 in. x 144 in.	Boxed	8
CR8012	Bunk Carpeting, Black, 12 in. x 144 in.	Boxed	8



OML 0127

## OUTBOARD MOTOR LOCK

- Heavy-duty barrel key lock mechanism for maximum security
- Foam filler insert reduces noise and vibration
- Mounts on most outboard motors

Part Number	Description	Packaging	Master Carton
OML 0127	Outboard Motor Lock	Boxed	6



7000100

## WHEEL CHOCKS

- Made from high impact polymer
- Reduces the risk of trailer roll
- Fits most trailer wheels

Part Number	Description	Packaging	Master Carton
7000100	Wheel Chocks	Litho Box	6

## TOW BARS AND SAFETY CHAINS

### ADJUSTABLE TOW BARS

- 5,000 lbs. capacity, gross vehicle weight; light weight, only 31 lbs.
- Arms adjust from 26 in. to 41 in. for universal fit
- Tow bar mounting brackets bolt securely to vehicle bumper (almost all applications will require a custom fabricated bracket due to bumper design)
- Heavy duty quick latch A-Frame coupler fits 2 in. ball
- Some states require the use of double safety chains



63180

63181



Part Number	Description	Packaging	Master Carton
63180	Adjustable Tow Bar, 5,000 lbs. GVW, Includes Mounting Brackets	Litho Box	2
63181	Adjustable Tow Bar, 5,000 lbs. GVW, Includes Mounting Brackets with Bolt Together 2-Piece Adjustment Arms	Litho Box	1
Accessories			
40604	Heavy Duty Safety Chain Kit for Tow Bars, Class III Chains Rated at 5,000 lbs. GTW	Litho Box	1
40602	Tow Bar Bumper Bracket Kit	Boxed	1
2471	1/2 in. Wire Lock Pin for Tow Bar Brackets	Litho Box	1

### SAFETY CHAINS

- Safety chains are required by law in most states
- Cross chains when towing for added safety
- All chains conform to J684.6.3.4 SAE standards



CHA0030140



CHA0070324



63035



63451

Part Number	Description	Grade	Size (in.)	Length (in.)	Chain End	Hook Size (in.)	Finish	Capacity (lbs.)	Packaging	Master Carton
CHA0010140	Proof Coil Chain	30	1/4	24	Safety Hook	7/16	Clear Zinc	5,000	Clamshell	4
CHA0010340	Proof Coil Chain	30	1/4	24	Safety Hook	7/16	Clear Zinc	5,000	Barrel	15
CHA0020324	Transport Chain	70	1/4	36	Clevis Hook	1/4	Yellow Zinc	12,600	Barrel	100
CHA0030140	Test Chain	43	1/4	24	Safety Hook	7/16	Clear Zinc	7,800	Clamshell	4
CHA0040324	Transport Chain	70	5/16	36	Clevis Hook	5/16	Yellow Zinc	18,800	Barrel	60
CHA0050324	Transport Chain	70	5/16	42	Clevis Hook	5/16	Yellow Zinc	18,800	Barrel	50
CHA0060324	Transport Chain	70	3/8	36	Clevis Hook	3/8	Yellow Zinc	26,400	Barrel	50
CHA0070324	Transport Chain	70	1/2	42	Clevis Hook	1/2	Yellow Zinc	45,200	Barrel	20
63034	Safety Chain	-	-	72	S-Hooks (Both Ends)	-	Clear Zinc	2,000	Litho Box	2
63035	Safety Chain	-	-	72	Quick Links (Both Ends)	-	Clear Zinc	5,000	Litho Box	2
5592	Proof Coil Chain	-	1/4	72	Straight Link	-	Clear Zinc	3,500	Plastic Shroud	1
2489	Machine Chain	-	-	30	Straight Link	-	Clear Zinc	5,000	Bulk	1
63451	Proof Coil Chain	30	1/2	35	Clevis Hook	3/8	Clear Zinc	26,400	Litho Box	4

44155



## CLEVIS HOOK

Part Number	Description	Packaging	Master Carton
44155	Grade 43, Clevis Slip with Latch, 5/16 in.	Bulk	10

74700



## QUICK LINK

Part Number	Description	Packaging	Master Carton
74700	7,000 lbs. 5/16 in. Safety Chain Quick Link	Bulk	-

JC1000300



## J-CLIP

Part Number	Description	Packaging	Master Carton
JC1000300	J-Clip for Safety Chain	Bulk	240

34141



## SAFETY CHAIN LOOPS

Part Number	Description	Packaging	Master Carton
4234	2,000 lbs. Class I Safety Chain Loop	Boxed	1
1962	5,000 lbs. Class II/III Safety Chain Loop	Boxed	1
34141	10,000 lbs. Class IV Safety Chain Loop	Boxed	10

63024



## D-RINGS

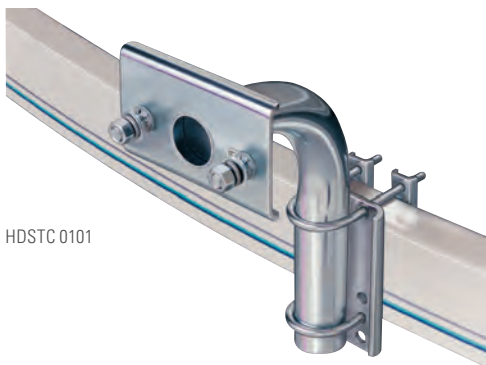
Part Number	Description	Work Load (lbs.)	Max Load (lbs.)	Packaging	Master Carton
63024	1/2 in. Forged D-Ring with Mounting Bracket, Yellow Zinc	4,000	12,000	Litho Box	40
63025	5/8 in. Forged D-Ring, with Weld-On Mounting Bracket, 3/8 in. Thick c1045 Material	6,000	18,000	Litho Box	25
63026	3/4 in. Forged D-Ring, with Weld-On Mounting Bracket, 3/8 in. Thick c1045 Material	8,833	26,500	Litho Box	20
63027	1 in. Forged D-Ring, with Weld-On Mounting Bracket, 3/8 in. Thick c1045 Material	15,587	46,760	Litho Box	15
63028	5/8 in. Forged D-Ring, with Weld-On Mounting Bracket, 1 in. x 5 in. x 6 in. Thick c1045 Material	15,587	46,760	Litho Box	10

63025



63027



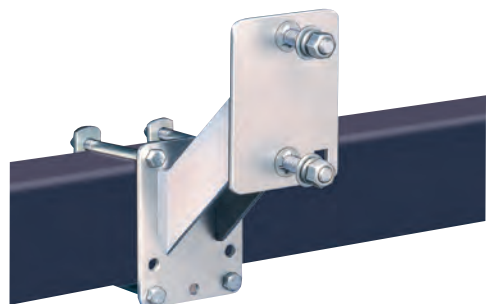


HDSTC 0101

### HEAVY DUTY SPARE TIRE CARRIER

- Fits most 4, 5 and 6 lug wheels - up to 16-1/2 in.
- Provides 4-3/4 in. lift and over 7 in. of offset to mount tire up and out of the way
- Zinc-plated to resist corrosion
- Easy bolt-on installation, no cutting or drilling required
- Fits trailer tongue up to 3 in. wide by 5 in. high
- All mounting hardware and instructions included

Part Number	Description	Packaging	Master Carton
HDSTC 0101	Heavy Duty Spare Tire Carrier	Boxed	4



STC1000301

### HI-MOUNT SPARE TIRE CARRIER

- Heavy-duty, welded and reinforced steel plate construction
- Zinc-plated to resist corrosion
- Adjustable bolt circle to fit both 4 and 5 lug wheels
- Fits all trailer tongues up to 3 in. wide by 4 in. high
- Includes zinc-plated mounting hardware and instructions
- Security locking hole to lock wheel and bracket to trailer using a security cable and lock (cable and lock sold separately)

Part Number	Description	Packaging	Master Carton
STC1000301	Hi-Mount Spare Tire Carrier	Bulk	1
STC1000101	Hi-Mount Spare Tire Carrier	Boxed	4

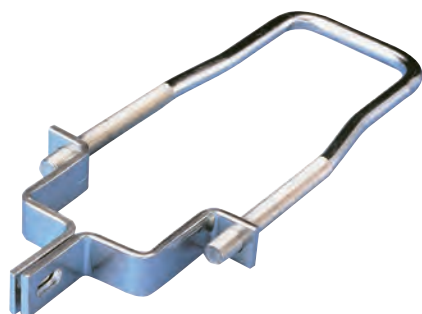


ETC 0101

### ECONOMY SPARE TIRE CARRIER

- Fits 8, 9, 12, 13, 14 and 15 in. wheels with 4 or 5 lug rims
- Easy to install
- Includes lug nuts to secure wheel to frame
- Heavy duty 1/2 in. diameter construction
- Zinc plated to resist corrosion

Part Number	Description	Packaging	Master Carton
ETC 0101	Economy Spare Tire Carrier	Boxed	6
ETCLB 0700	Economy Spare Tire Carrier with Locking Levers	Boxed	6
ETCHL 0700	Economy Spare Tire Carrier with Locking Levers and HLO Lock	Bulk	6



ETCLB 0700

### ECONOMY SPARE TIRE CARRIER WITH LOCK

- Theft-resistant locking cap
- Fits over wheel studs up to 9/16 in. diameter to deter spare tire theft
- Removable plug allows longer wheel studs to protrude through cap
- Locking tab provides positive locking feature to prevent lock from turning

Part Number	Description	Packaging	Master Carton
ETCSTL0701	Economy Spare Tire Carrier with STL Spare Tire Lock	Boxed	6
STL 0603	Spare Tire Lock	Boxed	6



ETCSTL0701



PD110200



PD110700

## POD HAZARD MULTI-USE LED ROADSIDE WARNING DEVICE

- Nine different illumination modes, including S.O.S safety mode to alert passing motorists
- Illuminate anything, anywhere with the 350 Lumens lamp and integrated red LED Warning lights
- Durable and weather resistant, easy grip plastic housing is compact (2 in. tall), easy to use and easy to store in the glove box
- Mounts to almost anything with its multiple mounting options including magnet, swivel hook, permanent base, or option for added hook and loop
- Use in the rain or snow
- Visible from 1/4 mile away in daylight conditions
- Use on a trailer, RV, vehicle or as an extra light source in a garage or workshop
- Requires 3 AAA Alkaline batteries per POD (not included)

Part Number	Description	Packaging	Master Carton
PD110200	POD HAZARD Multi-Use LED Roadside Warning Device, 2 Pack, Batteries Sold Separately	Clamshell	3
PD110700	POD HAZARD Counter Top Display, Includes (3) PD110200, Batteries Sold Separately	Litho Box	6



7000100

## WHEEL CHOCKS

- Made from high impact polymer
- Reduces the risk of trailer roll
- Fits most trailer wheels

Part Number	Description	Packaging	Master Carton
7000100	Wheel Chocks	Litho Box	6

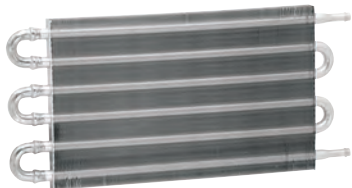


63300

## HITCH AND TRAILER ALIGNMENT TOOL

- Convenient one person hitch alignment system
- Magnetic base for fast and easy location
- Telescoping rods adjust up to 42 in.
- Easy to use the first time

Part Number	Description	Packaging	Master Carton
63300	Hitch and Trailer Alignment Tool	Litho Box	3



41013†



41310†



3132†



41412†



41410†



1000750†



PD110101†

**LAST CHANCE**

**TUBE AND FIN TRANSMISSION COOLERS**

Part Number	Description	Substitute Part Number	Packaging	Master Carton
41011†	Full-Size Cars, Mini-Vans and SUVs Towing up to 2,500 lbs.	-	Litho Box	-
41013†	SUVs, Vans and Pickup Trucks Towing up to 5,000 lbs.	-	Litho Box	-
41014†	Pickup Trucks and Motorhomes Towing Over 5,000 lbs.	-	Litho Box	-

**LAST CHANCE**

**PLATE AND FIN TRANSMISSION COOLERS**

Part Number	Description	Substitute Part Number	Packaging	Master Carton
41019†	Compact to Mid-Size Cars Towing Under 2,000 lbs.	-	Litho Box	-
41020†	Full-Size Cars, Mini-Vans and SUVs Towing 2,000 - 3,500 lbs.	-	Litho Box	-
41310†	SUVs, Vans and Pickup Trucks Towing 3,500 - 5,000 lbs.	-	Litho Box	1
41311†	Pickup Trucks and Motorhomes Towing Over 5,000 lbs.	-	Litho Box	-
41312†	Pickup Trucks Towing Fifth Wheels and Gooseneck Trailers	-	Litho Box	-

**LAST CHANCE**

**TRANSMISSION COOLER ACCESSORIES**

Part Number	Description	Substitute Part Number	Packaging	Master Carton
3132†	Transmission Oil Cooler Hose, 1-1/32 in. I.D., 25 ft. Long	-	Boxed	-
41103†	Metal Strap Mounting Kit	-	Litho Box	-
41405†	Nylon Tie Mount Kit (4 Per Bag)	-	Poly Bag	-

**LAST CHANCE**

**OEM CUSTOM FITTINGS**

Part Number	Description	Substitute Part Number	Packaging	Master Carton
41412†	1987 and Newer Jeep Adapter Kit for 5/8 in.-18, 45° S.A.E. Flare	-	-	1
41410†	1983 and Newer Ford, Lincoln and Mercury Cars Adapter Kit for Duckbill Style Line Fittings	-	Boxed	-

**LAST CHANCE**

**WATERWICK™**

Part Number	Description	Substitute Part Number	Packaging	Master Carton
1000750†	Waterwick	-	Boxed	18

NOTE: Contains Calcium Chloride (salt). Possible adverse effects in case of contact with eyes.

**LAST CHANCE**

**POD HAZARD**

Part Number	Description	Substitute Part Number	Packaging	Master Carton
PD110101†	POD HAZARD, Batteries Sold Separately	PD110200	Clamshell	6

† = Available while supplies last



44140†



49149†



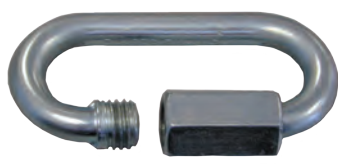
44157†



41412†



41410†



44133†



008575†

**LAST CHANCE**

**SAFETY CHAINS**

Part Number	Description	Substitute Part Number	Packaging	Master Carton
49137†	Class I GVWR 2,000 Lbs. 48 in., 3/16 in. Proof Coil Grade 30, S-Hook, Both Ends	63034	Barrel	100
44140†	Class III GVWR 5,000 Lbs. 48 in., 1/4 in. Proof Coil Grade 30, S-Hook, Both Ends	63035	Bulk	100
49148†	Class IV 32 in., 5/16 in. Proof Coil Grade 30 5/16 in. Clevis Slip Hook, One End (7,600 lbs. GTW)	CHA0040324	-	1
49149†	Class IV 36 in., 1/2 in. Proof Coil Grade 30 3/8 in. Clevis Slip Hook, One End (10,600 lbs. GTW)	CHA0020324	-	1
49147†	Class IV 35 in., 3/8 in. High Test 43 Clevis Slip and Latch Hook (16,200 lbs. GTW)	CHA0060324	-	1
49138†	Class II GVWR 3,500 Lbs. 24 in., 1/4 in. Proof Coil Grade 30, with S-Hook at One End	5592	Barrel	100
49141†	Class III GVWR 5,000 Lbs. 30 in., 1/4" Proof Coil Grade 30, with S-Hook at One End	2489	Barrel	100

**LAST CHANCE**

**CLEVIS SLIP HOOKS**

Part Number	Description	Substitute Part Number	Packaging	Master Carton
44154†	Grade 43, Clevis Slip with Latch, 1/4 in.	44155	Bulk	-
44156†	Grade 43, Clevis Slip with Latch, 3/8 in.	44155	Bulk	1
44157†	Grade 43, Clevis Slip with Latch, 1/2 in.	44155	Bulk	-
44163†	Grade 70, Clevis Hook with Latch, 1/4 in.	44155	Bulk	100
44159†	Grade 70, Clevis Hook with Latch, 5/16 in.	44155	Bulk	1
44164†	Grade 70, Clevis Hook with Latch, 3/8 in.	44155	Bulk	1

**LAST CHANCE**

**TOW HOOKS**

Part Number	Description	Substitute Part Number	Packaging	Master Carton
63029†	Tow Hook with Mounting Bolts, Chrome, 10,000 lbs. Capacity	-	Litho Box	6
63030†	Tow Hook with Mounting Bolts, Black, 10,000 lbs. Capacity	-	Litho Box	6

**LAST CHANCE**

**QUICK LINKS**

Part Number	Description	Substitute Part Number	Packaging	Master Carton
49132†	1/4 in. Quick Link, 3,500 lbs. Capacity	74700	Bulk	200
49131†	5/16 in. Quick Link, 3,500 lbs. Capacity	74700	Bulk	200
44133†	3/8 in. Quick Link, 3,500 lbs. Capacity	74700	Poly Bag	1
49134†	7/16 in. Quick Link, 5,000 lbs. Capacity	74700	-	200
49135†	1/2 in. Quick Link, 10,000 lbs. Capacity	74700	-	200

**LAST CHANCE**

**PLASTIC FENDER**

Part Number	Description	Substitute Part Number	Packaging	Master Carton
008575†	Plastic Fender, 15 in. Tire Size, White	-	Bulk	1

† = Available while supplies last

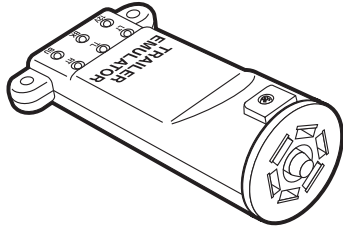


# TRAILER EMULATOR REFERENCE GUIDE

## USER'S GUIDE

The Trailer Emulator requires the ground and 12 volt battery line to be properly connected in order to check the electric brake circuit.

- 12 volt light on the emulator will be lit as soon as the emulator is connected to the tow vehicle's plug. If this does not happen see Troubleshooting Chart.
- The RT, LT, TL and BU lights will light on the emulator as those functions are activated on the tow vehicle. If this does not happen see Troubleshooting Chart.
- The BK light on the emulator should be off until the brake control is activated. (May see a flicker but not on steady)  
NOTE: The trailer emulator is not an exact trailer load so the light displays on various brake controls will respond differently.



- LT – Left Turn Signal, **RED** Light
- TL – Tail/Running Lights, **RED** Light
- RT – Right Turn Signal, **RED** Light
- 12V – 12 Volt Battery Supply Line, **RED** Light
- BK – Electric Trailer Brakes, **RED** Light
- BU – Backup Lights, **RED** Light

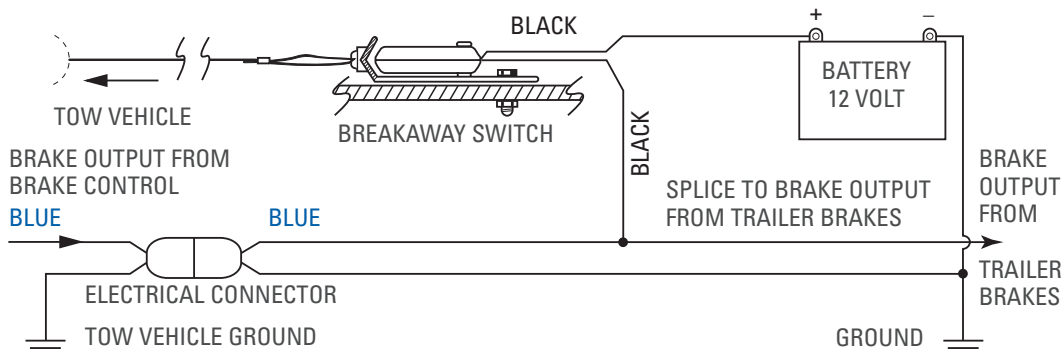
## TROUBLESHOOTING CHART

Condition	Probable Cause
<b>Trailer Emulator connected to tow vehicle:</b>	
- 12V LED is NOT lit on Trailer Emulator.	1) Bad ground or incorrect wiring in tow vehicle connector. 2) No 12 volt battery power supplied to connector.
- LT LED is NOT lit on Trailer Emulator NOTE: Applies for LT, RT, TL and BU LEDs.	1) Bad ground or incorrect wiring in tow vehicle connector. 2) Loose or poor connection in circuit under test.
- BK is NOT lit on Trailer Emulator when <u>manual slide / touch pad</u> is activated, but 12V LED is lit.	1) Bad ground or incorrect wiring in tow vehicle connector. 2) Poor ground on Brake Control. Brake Control goes into a limit mode. 3) Gain adjustment on Brake Control is set to minimum, adjust gain to maximum and retest using manual.
- BK is <u>NOT</u> lit on Trailer Emulator when <u>Brake Pedal</u> is depressed, but 12V LED is lit.	1) If using brake pedal, Tekonsha's inertia activated controls require vehicle movement to activate sensor. Apply the manual switch and see if BK LED lights. (SEE NOTE)

NOTE: The following two methods are available to test the Automatic response of the Tekonsha brake control with the Trailer Emulator.

1. Vehicle in Motion Method
  - Connect Trailer Emulator to vehicle.
  - Properly adjust the Level of the brake control.
  - Drive vehicle and apply brake pedal, the brake control's light should indicate a braking event.
2. Aggressive Level Method
  - Connect Trailer Emulator to vehicle.
  - Properly adjust the Level of the brake control.
  - Adjust Level setting toward Aggressive.
  - The brake control's light should indicate a braking event.
  - When finished with test remember to adjust the brake control's level back to desired tow setting.

# BREAKAWAY SWITCH INSTALLATION INSTRUCTIONS



## READ THIS FIRST:

Read and follow all instructions carefully before installing or operating the breakaway Switch. Keep these instructions for future reference.

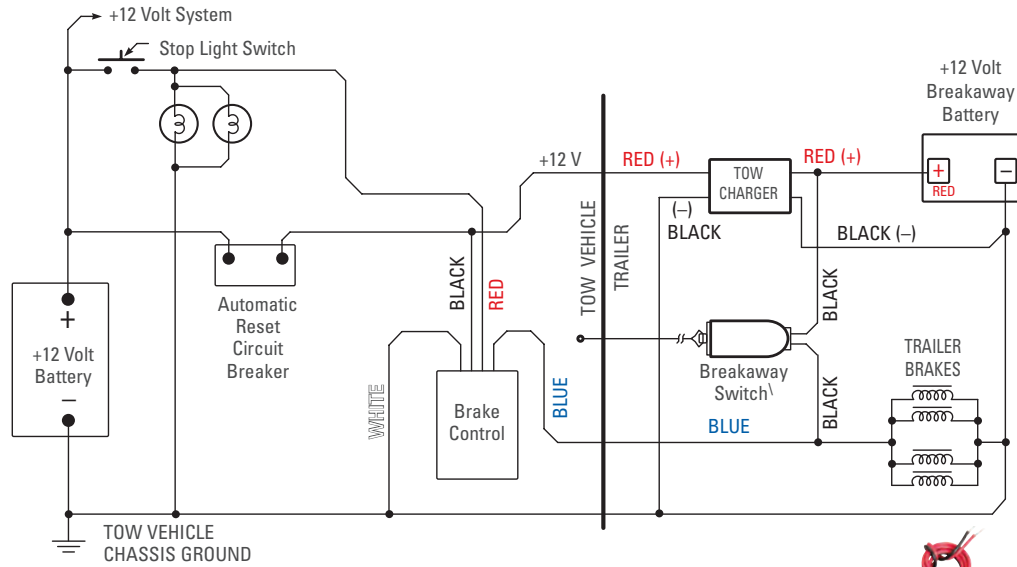
## IMPORTANT FACTS TO REMEMBER

1. **ATTENTION INSTALLER:** Please give this sheet to consumer upon completion of installation.
2. **SAFETY ITEM:** Solder all wire connections.
3. Check condition of battery prior to each trip.
4. **▲ WARNING** Disconnect trailer plug before testing breakaway unit. Failure to do so will result in severe damage to electronic brake control.
5. **▲ WARNING** Check your breakaway system periodically to insure that wiring and connections are secure. A short or an open circuit can result in a no-brake condition.
6. For optimal performance, it is recommended that breakaway devices be replaced every 3-5 years.

## INSTALLATION GUIDE

1. Mount Battery Case securely to frame, jack post or other suitable location on trailer with Breakaway Switch Cable towards tow vehicle.
2. **▲ WARNING** Switch location should be selected to ensure unobstructed line of pull in event of vehicle separation.
3. Bolt breakaway switch bracket to frame of trailer or battery case bracket using 1/4 in. bolt and lock nut or (2) 1/4 in. jam nuts. (Bolt and nuts not included in kit.)
4. **▲ WARNING** Do not over tighten bolt. Switch must be able to pivot.
5. Disconnect trailer from tow vehicle. Check and install battery.
6. Wire per schematic. Properly insulate all connections.
7. Attaching to tow vehicle: Attach Breakaway Switch Cable to tow vehicle frame being certain the cable does not drag on the ground and no strain or restriction is placed on the cable.
8. **▲ WARNING** Do not hook cable to safety chain loop or hitch ball.

# HEAVY DUTY MULTI-STAGE CHARGER



## BATTERY DATA CHART

- Maximum charge current must be limited to 1.2 amps
- 12 Volt • Length = 3.54 in. Width = 2.76 in. Height = 4.13 in. • Terminals: Fasten Tab .187 in. x .032 in.
- Service Life: Under normal operating conditions, 4-5 years in standby applications or 200-1000 charge/discharge cycles depending upon depth of discharge and rate of charge. Maintenance Charger. Tekonsha charger 2024-07 is recommended for proper charging.

## READ THIS FIRST:

Check condition of battery prior to installation and prior to each trip.



## IMPORTANT FACTS TO REMEMBER

1. Remove Charger and Battery from the battery case.
2. Mount battery case securely to frame, jack post or other suitable location on trailer.
3. Bolt Breakaway Switch\ to frame of trailer or battery case bracket.
4. Disconnect trailer from tow vehicle. Install battery and charger into the battery case. Feed wires out the back, then close the top.
5. Wire per schematic diagram. Properly insulate all connections.
6. For Technical Assistance and Warranty Information call
7. **▲ CAUTION** Improper installation of the breakaway battery will destroy the brake control. The **negative (-)** terminal must attach to ground and **positive (+)** terminal must attach to the breakaway switch.
8. **▲ WARNING** Check your Breakaway System\ periodically to insure that wiring and connections are secure. A short or an open circuit can result in a no-brake condition.
9. If excessive discharging of the breakaway battery occurs, check battery and recharge using a Heavy Duty Multi Stage/Maintenance Charger. Tekonsha charger 2024-07 is recommended for proper charging.
10. If the secondary battery needs charging, current will be drawn from the tow vehicle's battery at anytime the tow vehicle is connected to the trailer. Tekonsha charger 2024-07 is recommended for proper charging.
11. To only charge the breakaway battery when vehicle is running, a battery isolator may be installed in the 12 volt supply line (RED wire for tow charger). after six to nine months of storage, the battery should be recharged.

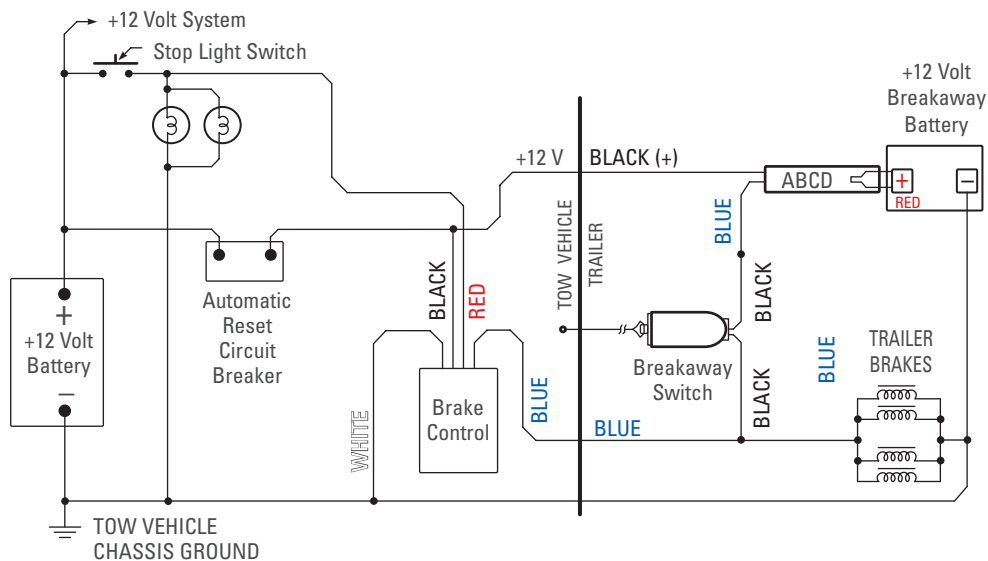
## 12 VOLT SEALED LEAD-ACID BATTERY

To maximize the life of the battery the following conditions should be met:

1. Avoid over or undercharge. This is the single worst enemy of lead-acid batteries.
2. Batteries should not be stored in a discharged state or at elevated ambient temperatures.
3. Avoid exposing batteries to heat! Service life is shortened considerably at ambient above 30°C (86°F).
4. Due to the characteristics of this battery, after six to nine months of storage, the battery should be recharged.
5. Charge the battery at the proper rate. Current should be limited to 1.2 amps or less.
6. Provide adequate air circulation when charging battery. Do not charge battery in any other container besides the supplied battery box.
7. **▲ CAUTION** Do not place batteries in close proximity to objects which can produce sparks or flames.
8. Do not expose battery case to organic solvents or adhesives.
9. **▲ CAUTION** Do not attempt to disassemble batteries. Contact with sulfuric acid may cause harm.
10. **▲ CAUTION** Fasten batteries tightly and make provisions for shock absorption if exposure to shock or vibration is likely.
11. **▲ WARNING** Do not throw batteries into fire; batteries so disposed may rupture or explode.

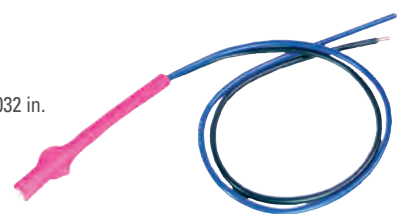
NOTE: Refer to Breakaway Switch Installation Instructions for complete operating instructions and cautionary statements.

# ABCD (ACCELERATED BATTERY CHARGING DEVICE)



## BATTERY DATA CHART

- Maximum charge current must be limited to 1.2 amps
- 12 Volt • Length = 3.54 in. Width = 2.76 in. Height = 4.13 in. • Terminals: Fasten Tab .187 in. x .032 in.
- Service Life: Under normal operating conditions, 4-5 years in standby applications or 200-1000 charge/discharge cycles depending upon depth of discharge and rate of charge. Maintenance Charger. Tekonsha charger 1024 is recommended for proper charging.



## READ THIS FIRST:

Check condition of battery prior to installation and prior to each trip.

## IMPORTANT FACTS TO REMEMBER

1. Remove Charger and Battery from the battery case.
2. Mount battery case securely to frame, jack post or other suitable location on trailer.
3. Bolt Breakaway Switch to frame of trailer or battery case bracket.
4. Disconnect trailer from tow vehicle. Install battery and charger into the battery case. Feed wires out the back, then close the top.
5. Wire per schematic diagram. Properly insulate all connections.
6. For Technical Assistance and Warranty Information call
7. **CAUTION** Improper installation of the breakaway battery will destroy the brake control. The **negative (-)** terminal must attach to ground and **positive (+)** terminal must attach to the breakaway switch.
8. **WARNING** Check your Breakaway System periodically to insure that wiring and connections are secure. A short or an open circuit can result in a no-brake condition.
9. If excessive discharging of the breakaway battery occurs, check battery and recharge using a Heavy Duty Multi Stage/Maintenance Charger. Tekonsha charger 2024-07 is recommended for proper charging.
10. If the secondary battery needs charging, current will be drawn from the tow vehicle's battery at anytime the tow vehicle is connected to the trailer. Tekonsha charger 2024-07 is recommended for proper charging.
11. To only charge the breakaway battery when vehicle is running, a battery isolator may be installed in the 12 volt supply line (**RED** wire for tow charger). after six to nine months of storage, the battery should be recharged.

## 12 VOLT SEALED LEAD-ACID BATTERY

To maximize the life of the battery the following conditions should be met:

1. Avoid over or undercharge. This is the single worst enemy of lead-acid batteries.
2. Batteries should not be stored in a discharged state or at elevated ambient temperatures.
3. Avoid exposing batteries to heat! Service life is shortened considerably at ambient above 30°C (86°F).
4. Due to the characteristics of this battery, after six to nine months of storage, the battery should be recharged.
5. Charge the battery at the proper rate. Current should be limited to 1.2 amps or less.
6. Provide adequate air circulation when charging battery. Do not charge battery in any other container besides the supplied battery box.
7. **CAUTION** Do not place batteries in close proximity to objects which can produce sparks or flames.
8. Do not expose battery case to organic solvents or adhesives.
9. **CAUTION** Do not attempt to disassemble batteries. Contact with sulfuric acid may cause harm.
10. **CAUTION** Fasten batteries tightly and make provisions for shock absorption if exposure to shock or vibration is likely.
11. **WARNING** Do not throw batteries into fire; batteries so disposed may rupture or explode.

NOTE: Refer to Breakaway Switch Installation Instructions for complete operating instructions and cautionary statements.

## TRAILER BRAKE ADJUSTMENT

Brakes should be adjusted after the first 200 miles of operation when the brake shoes and drums have "seated" and at 3000 mile intervals, or as use and performance requires. The brakes should be adjusted in the following manner:

1. Jack up trailer and secure on adequate capacity jack stands. Follow trailer manufacturers recommendations for lifting and supporting the unit. Check that the wheel and drum rotate freely. **▲ WARNING** Do not lift or support trailer on any part of the axle or the suspension system.
2. Remove the adjusting hole cover from the adjusting slot on the bottom of the brake backing plate.
3. With a screwdriver or standard adjusting tool, rotate the starwheel of the adjuster assembly to expand the brake shoes. Adjust the brake shoes out until the pressure of the linings against the drum makes the wheel very difficult to turn. Note: With drop spindle axles, a modified adjusting tool with about an 80 degree angle should be used.
4. Then rotate the starwheel in the opposite direction until the wheel turns freely with a slight lining drag.
5. Replace the adjusting hole cover and lower the wheel to the ground.
6. Repeat the above procedure on all brakes. **▲ WARNING** Never crawl under your trailer unless it is resting on properly placed jack stands.

## TRAILER BRAKE TROUBLESHOOTING

### NO BRAKES

- Check for defective circuit breaker
- Check for open or shorted circuit
- Check for properly wired system, including a good ground between towing vehicle and trailer, not through trailer hitch
- Check for defective controller or loose wiring at controller
- Check brake adjustment
- Check for defective resistor or loose wiring at resistor (hydraulic units only)
- Check for defective or worn magnet(s)
- Check for damaged or worn connector between towing vehicle and trailer
- Ensure correct controller is installed

### INTERMITTENT OR SURGING BRAKES

- Check for defective circuit breaker
- Check for out-of-round brake drums
- Check for properly wired system, including a good ground between towing vehicle and trailer, not through trailer hitch
- Check for defective magnets or magnet wiring
- Check for loose or worn wheel bearings

### INEFFECTIVE OR WEAK BRAKES

- Insure trailer is not overloaded
- Check for loose or corroded connections
- Check for properly wired system, including a good ground between towing vehicle and trailer, not through trailer hitch
- Check for shorted circuit
- Check for proper variable resistor resistance (external resistor or controller) to trailer (for hydraulic units only)
- Worn or defective magnet
- Check brake adjustment, check for bent backing plate flange
- Check for contaminated brake linings
- Check brake system wiring to ensure proper gauge wiring is used, ensure wiring is not connected through the stop light circuit
- Check for worn, damaged or improper brake linings
- Check for weak or broken brake shoe return spring
- Check for defective or worn brake drums
- Check for loose axle
- Check that correct controller is installed
- Improper controller installed or settings (level or gain)

### BRAKES LOCKED, BRAKE PEDAL NOT DEPRESSED

- Check stoplight switch adjustment
- Check for short between stoplight switch circuit and power supply circuit
- If brakes are locked when 4-way flashers are operated, check for Pulse Preventer installed in circuit
- Check breakaway switch (pulled)

### DRAGGING BRAKES

- Check brake adjustment
- Check for defective controller
- Check for improperly installed flange
- Check for corroded brake assembly
- Check for weak or broken brake shoe return spring
- Check for worn or damaged lever arm between magnet and brakeshoe
- Improper controller installed position

### GRABBING OR LOCKING BRAKES

- Check for improperly installed flanges
- Check for contaminated brake linings (grease on linings)
- Check for weak or broken brake shoe return spring
- Check for out-of-round brake drums
- Ensure a variable resistor is installed (if necessary) (hydraulic units only)
- Check for variable resistor for proper resistance (hydraulic units only)
- Check that correct controller is installed
- Rust on armature plate or brake drum
- Check for loose or worn wheel bearings
- Improper controller installed position
- Check for improper gain setting
- Check for improper boost setting

### NOISY BRAKES

- Check brake adjustment
- Check for worn brake shoes
- Check for contaminated brake linings
- Check for weak or broken shoe return springs
- Check for bent backing plate
- Check for improperly installed flange
- Check wheel bearing adjustment
- Check for worn or damaged wheel bearings
- Check for worn or damaged magnets

### UNEVEN TIRE WEAR

- Possibly due to: A bent or misaligned axle, Improper tire inflation. On tandem axle trailers, check voltage at front axle and rear axle with brakes applied. At times, the front axle will "lift" allowing front wheel to lock and slide. Correction can be made installing magnets with even resistance

### INOPERATIVE BREAKAWAY SWITCH

- Check for dead or weak 12-volt battery, on trailer
- Check all wiring and connections
- Check breakaway switch
- If only one brake is operating, check other magnets

## ELECTRIC TRAILER BRAKE PART IDENTIFICATION



### MANUFACTURER IDENTIFICATION

AL-KO	AL-KO levers are very flat. The brake shoes do not have anything unusual about them. AL-KO uses only one return spring at the top on both 10 and 12-inch units. With the drum off, you can tell what size the system is if the magnets have never been replaced. The 10-inch brake will have a magnet with light green wires and the 12-inch brake will have white wires.
Dexter	Dexter uses a stamp on the back of the backing plate that identifies the size of the brake. Looking on the back side you will see a triangle. Around the triangle you will see Dexter and the size (i.e. 10 in. X 2 1/2 in. or 12 in. X 2 in.). Dexter uses 2 return springs on all late model brakes; some early 12-inch brakes used a single return spring.
Hayes	Hayes brake shoe webs have a tooth that hangs down at the top and use a single return spring. Early 12-inch brakes used a dual return spring. Hayes axle is owned by AL-KO. AL-KO backing plates have been seen on some of the new Hayes axles. It looks as if they are still using the Hayes name and are starting to use AL-KO parts.
Fayette	Fayette axles are obsolete. If you find a Fayette axle tag and the trailer is worth keeping you should consider changing the axles to AL-KO or Dexter. At that time it is recommended that the spring hangers and bushings also be replaced.

### BRAKE SIZE IDENTIFICATION

Axle Identification	Axles generally have an ID tag located on the axle crossbar that gives you the axle capacity. Check there first. This would give you a starting reference point.
Brake Drum / Shoe Size	Measuring is the same for all brands. Using a tape measure you can do a random measurement as to the diameter by measuring across the drum. If it is a 10-inch drum you will measure approximately 11 inches across for an outside measurement. The 12-inch brake will measure approximately 13 inches for an outside measurement. The drum would need to be removed to get the correct diameter and width.

### MAGNET IDENTIFICATION

Magnets can be identified by the color of the wire used

Dexter 7 in. x 1-1/4 in.	The magnets are round. Prior to April 1990 they had <b>YELLOW</b> wires, after 1990 the magnet has <b>WHITE</b> wires. Replacement of magnets will need to be done in pairs and updated to the new magnet along with the lever. The early levers are weak and will bend and hang up as they wear.
Dexter 10 in. x 1-1/2 in.	The magnet wires for the early model round magnets are <b>WHITE</b> and the late model oval magnets are <b>YELLOW</b> .
Hayes 10 in. x 1-5/8 in.	The magnet wires for the early model round magnets are <b>RED</b> and the late model oval magnets are <b>GREEN</b> .
AL-KO 10 in. x 2-1/4 in.	It will have <b>LIGHT GREEN</b> wires.
Hayes 10 in. x 2-1/4 in.	The early model round will have <b>RED</b> wires and the late model will have oval <b>GREEN</b> wires.
Dexter 10 in. x 2-1/4 in.	It uses <b>GREEN</b> wires.
Fayette 10 in. x 2-1/4 in.	The round magnets will have <b>WHITE</b> wires (obsolete).
AL-KO 12 in. x 2 in.	It will have <b>WHITE</b> wires.
Hayes 12 in. x 2 in.	The early model round magnet will have <b>RED</b> wires, the late model will be an oval magnet with <b>WHITE</b> wires.
Dexter 12 in. x 2 in.	It will have <b>WHITE</b> wires.
Dexter Centerline 12 in. x 2 in.	The 4.5K axles will have <b>RED ORANGE</b> wires, the 6/7K axles will have <b>RED</b> wires (obsolete for both sizes).



# MERCHANDISING

Horizon Global provides a wide variety of product displays and marketing material that do a careful and well thought-out job of presenting our products and services: planograms, gondola displays, header cards, showroom signs, counter mats, banners, outdoor and indoor signs and window clings. All to help attract customers and increase sales.

For your website and catalogs, our dealer portal; TowingProducts, provides extensive information and applications for all our products including high resolution images, logos and application guides.

## PRODUCT DISPLAYS

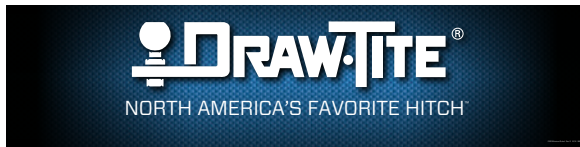
Receiver Hitches.....	0-2
Weight Distribution Hitches .....	0-2
Fifth Wheel Hitches .....	0-3
Velocity™ Series High-Speed Jacks.....	0-3
RV Jacks.....	0-4
ZCI™ Counter Top Display.....	0-4

## MARKETING MATERIAL

Gondola Display Racks .....	0-5
Window Clings .....	0-5
Hours of Operation Signs .....	0-5
Header Cards.....	0-6
Counter Mats.....	0-6
Shop Banners .....	0-6



37-0030 - Display Stand Only



MKG0218

## RECEIVER HITCH DISPLAY STAND

- Hitch display racks promote the products you install
- Turn your hitch display into an add-on sales tool by attaching the accessory display kit
- It is designed to help promote the sale of hitch balls, tow vehicle wiring, and other towing accessories
- Products must be ordered separately
- Casters not included
- See header cards and signs for additional hitch display graphics

Part Number	Description	Packaging	Master Carton
37-0030	Draw-Tite 5 Hitch, 4 Ball Mount Display with Flip Chart Attachment	Boxed	1
MKG0218	Draw-Tite Logo Merchandising Sign, 10 in. x 41-1/2 in.	Boxed	1
Suggested Receiver Hitches to Display			
24899	Sportframe Hitch, Class I	Boxed	1
36423	Frame Hitch, Class II	Boxed	1
75193	Max-Frame Hitch, Class III/IV	Boxed	1
41946	Ultra Frame Hitch, Class V	Boxed	1
45519	Heavy Duty 2-1/2 in. Hitch, Class V	Boxed	1

NOTE: Casters may not be included with these displays, but will accept 3 in., 4 in., or 5 in. casters, with coarse thread 1/2 in. wide stem.

There may be charges for display items. Contact your sales representative for ordering information.



37-2109 - Display Stand Only

## WEIGHT DISTRIBUTION HITCH DISPLAY STAND

- Weight distribution display stand promotes the products you install
- Stand will display one weight distribution hitch
- Products must be ordered separately
- Casters not included

Part Number	Description	Packaging	Master Carton
37-2109	REESE Weight Distributing Stand, 2-5/16 in. coupler, 2 in. Receiver Tube Built-In, 2-5/16 in. Ball Not Included	Boxed	1
Suggested Weight Distribution Hitches to Display			
66542	1,200 lbs. High-Performance Trunnion Bar Weight Distribution Hitch	Boxed	1
67509	800 lbs. Heavy Duty Round Bar Weight Distribution Hitch	Boxed	1
26002	Dual Cam HP Sway Control	Boxed	1
83660	Friction Sway Control	Litho Box	3
66082	Strait-Line 600 lbs. Trunnion Bar Weight Distribution Hitch	Boxed	1

NOTE: Casters may not be included with these displays, but will accept 3 in., 4 in., or 5 in. casters, with coarse thread 1/2 in. wide stem.

There may be charges for display items. Contact your sales representative for ordering information.





37-2103 - Display Stand Only

### FIFTH WHEEL HITCH DISPLAY STAND

- Fifth wheel hitch display stand promotes the products you install
- Stand will display one fifth wheel hitch
- Width adjusts from 38 in. to 42 in. and includes signage posts
- Products must be ordered separately
- Rails and mounting brackets required for mounting hitch to display stand
- Casters not included

Part Number	Description	Packaging	Master Carton
37-2103	REESE Heavy Duty Fifth Wheel Hitch Display with Bolt-On Signage Posts	Boxed	1
<b>Suggested Fifth Wheel Hitches to Display</b>			
30929	M5 Series 27K Fifth Wheel Hitch	Boxed	1
30142	Elite Series 18K Fifth Wheel Hitch	Boxed	1
30144	Elite Series 18K Fifth Wheel Hitch with Slider	Boxed	1
30871	Elite Series 26.5K Fifth Wheel Hitch	Boxed	1
30126	Elite Series Fifth Wheel Rails, Ford	Boxed	1
30035	Universal Fifth Wheel Rails	Boxed	1
30153	Outboard Fifth Wheel Rails	Boxed	1

*NOTE: Casters may not be included with these displays, but will accept 3 in., 4 in., or 5 in. casters, with coarse thread 1/2 in. wide stem.*

*There may be charges for display items. Contact your sales representative for ordering information.*



MKG2097

37-0023

### VELOCITY SERIES™ HIGH-SPEED JACK DISPLAY STAND

- Display stand increases end-user visibility to Velocity Series™ High-Speed Jacks
- Using a minimal amount of floor space these stands provide easy access to customers
- Stand will display one jack
- Products must be ordered separately
- Casters not included

Part Number	Description	Packaging	Master Carton
37-0023	BULLDOG Velocity Series High-Speed Jack Display Stand	Boxed	1
MKG2097	BULLDOG Velocity Series High-Speed Jack Display Signage	Boxed	1
<b>Suggested Trailer Jacks to Display</b>			
185400	BULLDOG Velocity Series High-Speed Jack, with Remote	Litho Box	1
185402	BULLDOG Velocity Series High-Speed Jack	Litho Box	1

*NOTE: Casters may not be included with these displays, but will accept 3 in., 4 in., or 5 in. casters, with coarse thread 1/2 in. wide stem.*

*There may be charges for display items. Contact your sales representative for ordering information.*



600051 - Display Stand Only



37-2126 - Display Stand Only



MKG2358 - Display Only

## JACK DISPLAY STANDS

- Display stands increase end-user visibility to A-Frame Jacks
- Using a minimal amount of floor space these stands provide easy access to customers
- Products must be ordered separately
- Casters not included

Part Number	Description	Packaging	Master Carton
600051	Jack Display Stand, Includes: (1) Integrated Center A-Frame Mount and (4) A-Frame Jack Display Adapters	Litho Box	1
37-2126	RV Jack Display Stand, Includes (4) Jack Display Adapters #117400	Boxed	1
37-2134	A-Frame Jack Mount System for Lozier Gondola, Includes: (1) 37-2131 Crossbar, (5) 37-2132 Brackets and (1) 37-2133 Bracket Support	Boxed	1
117398	Jack Display Stand Only	Boxed	1
117400	RV Jack Display End Caps, Jack Adapter Only, (Qty 4)	Boxed	1
117399	Marine Jack Display End Caps, Jack Adapter Only, (Qty 3)	Boxed	1

### Suggested Trailer Jacks to Display

1551570117	2K BULLDOG A-Frame Jack, Sidewind	Bulk	1
1550220117	2K BULLDOG A-Frame Jack, Topwind	Bulk	1
1550320117	5K BULLDOG A-Frame Jack, Topwind	Bulk	1
1750290317	5K BULLDOG A-Frame Jack, Topwind	Bulk	1
EA20000103	2K Pro Series A-Frame Jack, Topwind	Litho Box	1
RV20000103	2K Pro Series A-Frame Jack, Sidewind	Litho Box	1
1400600303	5K Pro Series A-Frame Jack, Topwind	Bulk	1
EA20000340	2K Pro Series A-Frame Jack, Topwind	Bulk	1
500199	4K BULLDOG A-Frame Jack with Powered Drive, Black	Litho Box	2
500200	4K BULLDOG A-Frame Jack with Powered Drive, White	Litho Box	2
500187	3.5K BULLDOG A-Frame Jack with Powered Drive, Black	Litho Box	2
500188	3.5K BULLDOG A-Frame Jack with Powered Drive, Black	Litho Box	2
500198	2.5K Pro Series A-Frame Jack with Powered Drive, Black	Boxed	2

NOTE: Casters may not be included with these displays, but will accept 3 in., 4 in., or 5 in. casters, with coarse thread 1/2 in. wide stem.

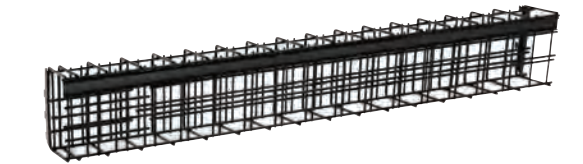
## ZCI™ COUNTER TOP DISPLAY

- Counter top display with interchangeable insert cards
- Cards are easily removed to change display as often as needed
- Insert cards and brochures sold separately

Part Number	Description	Packaging	Master Carton
MKG2358	Tekonsha ZCI Counter Top Display	Boxed	1
MKG2136	Tekonsha ZCI Counter Top Display Brochures	Boxed	1

There may be charges for display items. Contact your sales representative for ordering information.

## GONDOLA DISPLAY RACKS



37-2112



37-2114



37-2127

## GONDOLA DISPLAY RACKS

- Gondola display accessories offer your customers a complete line of towing and vehicle accessories
- Products must be ordered separately

Part Number	Description	Packaging	Master Carton
37-2112	4 ft. Ball Mount Rack for Lozier Gondola	Boxed	1
37-2114	4 ft. Hitch Ball Rack for Lozier Gondola	Boxed	1
37-2127	4 ft. Hitch Ball and Ball Mount Rack for Lozier Gondola, Half and Half	Boxed	1
37-2131	4 ft. Crossbar for Lozier Gondola, Mount up to 5 Brackets, 37-2132	Boxed	1
37-2132	Trailer Jack A-Frame Mount Bracket for Lozier Gondola	Boxed	1
37-2133	Trailer Jack A-Frame Mount Bracket Support for Lozier Gondola	Boxed	1
37-2134	Trailer Jack A-Frame Mount System for Lozier Gondola, Includes: (1) 37-2131 Crossbar, (5) 37-2132 Brackets and (1) 37-2133 Bracket Support	Boxed	1

There may be charges for display items. Contact your sales representative for ordering information.



37-5652

## WINDOW CLING

Part Number	Description	Packaging	Master Carton
MKG1929	Draw-Tite Hide-A-Goose Hitch, 4 in. x 6 in., Two Sided	Boxed	1

There may be charges for display items. Contact your sales representative for ordering information.



MKG0216

MKG0198

## HOURS OF OPERATION SIGNS

Part Number	Description	Packaging	Master Carton
MKG0198	REESE Hours of Operation Indoor Sign	Boxed	1
MKG0216	Draw-Tite Hours of Operation Indoor Sign	Boxed	1

There may be charges for display items. Contact your sales representative for ordering information.



MKG0219



MKG0218



MKG0346

### HEADER CARDS

- Merchandising header card in a wide range of sizes for use on displays or any showroom application

Part Number	Description	Packaging	Master Carton
MKG0209	BULLDOG, "The Choice of America's Military & Manufacturers" Merchandising Sign, 14 in. x 48 in.	Boxed	1
MKG0218	Draw-Tite, "North America's Favorite Hitch" Merchandising Sign, 10 in. x 41-1/2 in.	Boxed	1
MKG0219	Draw-Tite Receiver Hitches Merchandising Sign, 14 in. x 42 in.	Boxed	1
MKG0346	REESE Logo Merchandising Sign, 10 in. x 41-1/2 in.	Boxed	1

*There may be charges for display items. Contact your sales representative for ordering information.*



MKG3249



MKG3245

### COUNTER MATS

- Ultimate durable counter mats, scratch and spill proof
- 16 in. x 20 in.

Part Number	Description	Packaging	Master Carton
MKG3248	REESE Counter Mat	Boxed	1
MKG3357	REESE Goose Box Counter Mat	Boxed	1
MKG3355	REESE M5 Counter Mat	Boxed	1
MKG3356	REESE Pro Weight Distribution Counter Mat	Boxed	1
MKG3247	Draw-Tite Counter Mat	Boxed	1
MKG3245	Fulton Counter Mat	Boxed	1
MKG3246	BULLDOG Counter Mat	Boxed	1
MKG3249	Tekonsha Counter Mat	Boxed	1



MKG3351



MKG3347



MKG3348

### SHOP BANNERS

- Branded, durable, indoor and outdoor banners
- 5 ft. x 3 ft.

Part Number	Description	Packaging	Master Carton
MKG3347	REESE Shop Banner	Boxed	1
MKG0202	REESE Products Shop Banner	Boxed	1
MKG3348	Draw-Tite Shop Banner	Boxed	1
MKG0196	Draw-Tite "Tested Tough" Shop Banner	Boxed	1
MKG3350	Fulton Shop Banner	Boxed	1
MKG3351	BULLDOG Shop Banner	Boxed	1
MKG3353	Tekonsha Shop Banner	Boxed	1
MKG1276	BULLDOG, "The Choice of America's Military & Manufacturers" Shop Banner	Boxed	1

*There may be charges for display items. Contact your sales representative for ordering information.*



# PRODUCT INDEX

All products are covered by warranty for a minimum of one (1) year. Some products have longer warranty coverage periods. Please review the information on the following pages for warranty details across the product line.

Find products quickly by using our index. Look up product information, page numbers and fitments by part number. All part numbers are listed numerically.

**DEALER INSTALLATION PROGRAM** ..... P-2

**PRODUCT INDEX** ..... P-44 - P64

**PRODUCT APPLICATION INDEX**

- Class I Receivers ..... P-4 - P-7
- Class II Receivers..... P-7 - P-9
- Class III Receivers ..... P-10 - P-19
- Class IV Receivers ..... P-10 - P-19
- Class V Receivers..... P-19 - P-21
- Front Mounted Receivers ..... P-21 - P-22

**PRODUCT APPLICATION INDEX**

- Brake Control Harnesses ..... P-22 - P-26
- T-One® Connectors ..... P-26 - P-33
- Tow Harnesses ..... P-33 - P-35
- Fifth Wheel Harnesses..... P-35 - P-37
- 6-Way and 7-Way Connectors ..... P-37 - P-38
- Fifth Wheel Rail Kits ..... P-38 - P-42
- M5 Series Fifth Wheels ..... P-41
- Elite™ Series Fifth Wheels ..... P-41
- Elite™ Series Gooseneck ..... P-42
- Under-Bed Gooseneck..... P-42
- Above-Bed Gooseneck ..... P-42 - P-43



**How would you like to reduce  
the cost of your hitch installation  
liability insurance and get  
ADDITIONAL PROTECTION FREE?**



## INSTALLED

Install Horizon Global branded applicable products properly, according to the instructions included.



## INFORMED

Before installation begins, present the towing safety form to the customer and have them read and sign it.



## INSURED

**A:** Give the copy of the signed towing safety form to the customer.  
**B:** Retain the original signed towing safety form for your records.

### DEALER SUPPORT

In the interest of safe towing, Draw-Tite® and Reese® offer this Dealer Installation Indemnification Program. We're committed to designing and building the industry's highest quality trailer hitches and towing accessories. We also back our equipment with an extraordinary level of support for our customers. Once enrolled in the Dealer Installation Indemnification Program, when you sell and properly install complete Draw-Tite® or Reese® applicable products according to written instructions and provide your customers with the required information for safe and proper towing, you are indemnified on any claim over USD \$2,000 arising from your installation of Horizon Global branded products. *(For conditions and limitation see Dealer Agreement.)*

**INDEPENDENT OF THIS AGREEMENT, THE HORIZON GLOBAL LIMITED LIFETIME WARRANTY REMAINS IN EFFECT WITH RESPECT TO PRODUCT CLAIMS.**

**To enroll in the program, contact your Sales Representative**

### DEALER BENEFITS

What you receive is the potential of significant cost savings by reducing your installation liability coverage for Horizon Global branded products. We design and build safety into everything we produce, so we have the confidence to back Horizon Global branded products with this comprehensive program. Therefore you'll be able to serve your customers with a new level of confidence, knowing Horizon Global backs your work. However, Horizon Global recommends you determine your base liability coverage requirements with your local insurance professional.

### ELIGIBILITY

To qualify for the Dealer Installation Indemnification Program, you must be a qualified Draw-Tite® or Reese® Installer. If you install other manufacturers' products, you will need to maintain liability insurance to cover non Horizon Global branded products.

### PROGRAM COST

There is no charge to the participating Dealer.

PC	PART NO.	YEARS	MAKE/MODEL	WGT LBS	IN
<b>CLASS I: 1-1/4" HITCH</b>					
17	24534†	90-91 87-91 87-91	Lexus ES250 FWD Toyota Camry 4 Dr. Sedan Toyota Camry Wagon	10	40 40 40
36	24557†	87-95 87-95	Jeep Wrangler Jeep YJ (Canada Only)	21	30 30
33	24563†	92-01 92-96	Lexus ES300 4 Dr. Toyota Camry	27	30 30
25	24579	98-02 93-97 93-02	Chevrolet Prizm GEO Prizm Toyota Corolla Sedan	20	30 30 30
22	24589	94-01	Acura Integra	17	40
35	24594†	94-98	Volkswagen Jetta Jetta III	30	30
31	24606†	91-98	Toyota Tercel Sedan	19	30
36	24613†	03-05 95-02 03-05 00-02 95-99	Chevrolet Cavalier LS Sport Chevrolet Cavalier Z-24 Chevrolet Cavalier Z-24 (Canada Only) Pontiac Sunfire Pontiac Sunfire GT	29	40 40 40 40 40
45	24616	94-97	Honda Accord	29	30
33	24620	91-92 93-02 93-02 91-02 91-02 91-02 93-99 93-01	Saturn SC 2 Dr. Coupe Saturn SC1 2 Dr. Coupe Saturn SC2 2 Dr. Coupe Saturn SL 4 Dr. Sedan Saturn SL1 4 Dr. Sedan Saturn SL2 4 Dr. Sedan Saturn SW1 Wagon Saturn SW2 Wagon	25	40 40 40 40 40 40 40 40
24	24622	98 89-97 89-95 96-98 96-98	Chevrolet Tracker GEO Tracker Suzuki Sidekick Suzuki Sidekick Except Sport Model Suzuki X-90	18	20 20 20 20 20
23	24628	95-00 95-99	Chevrolet Lumina Chevrolet Monte Carlo	20	30 30
27	24631	97-06 97-06	Jeep TJ (Canada Only) Jeep Wrangler	19	15 15
45	24639†	90-93	Honda Accord Sedan	26	20
27	24646†	96-00	Hyundai Elantra	13	30
34	24656	97-05 97-99	Chevrolet Malibu 4 Dr. Oldsmobile Cutlass 4 Dr., FWD	22	15 15
24	24659	97-05 98-02 97-03	Buick Century Sedan Oldsmobile Intrigue Pontiac Grand Prix SE Sedan	13	30 30 30
27	24660	97-04 97-08	Buick Regal (App. starts with 97-1/2) Pontiac Grand Prix	13	20 20
29	24673	99-04 99-05 99-04 02-06	Chevrolet Tracker Suzuki Grand Vitara Suzuki Vitara Suzuki XL-7	18	15 15 15 15
29	24677	97-01 92-00	Acura EL (Canada Only) Honda Civic	19	15 15
39	24679	98-01 02-10 99-06 07-10	Volkswagen Beetle Volkswagen Beetle Except Turbo S Volkswagen Golf Volkswagen Golf City (Canada Only)	31	30 30 30 30
25	24681	00-05	Chevrolet Impala	16	20
33	24682	03-07 00-02	Ford Focus Wagon (Built After 11/2002) Ford Focus Wagon (Built Before 11/2002)	27	20 20
14	24685†	01-02 01-02 01-02 00 00 00 03 03	Saturn L100 Saturn L200 Saturn L300 Saturn LS Saturn LS1 Saturn LS2 Saturn LW200 Wagon Saturn LW300 Wagon	14	35 35 35 35 35 35 35 35
34	24686	96-01 02-04 95-03	Infiniti I30 Infiniti I35 Nissan Maxima Sedan	18	30 30 30
29	24687	94-98 99-04	Ford Mustang Ford Mustang Except Cobra SVT	27	20 20
39	24690	93-01	Nissan Altima	22	20
24	24692	00-04 05-07 00-06	Ford Focus Sedan Ford Focus Sedan, Except w/Street Appearance Pkg. Ford Focus ZX3 3 Dr. Hatchback, Except SVT & w/Street Appearance Pkg.	15	20 20 20

PC	PART NO.	YEARS	MAKE/MODEL	WGT LBS	IN
24	24692	02-06	Ford Focus ZX5 5 Dr. Hatchback, Except SVT & w/Street Appearance Pkg.	15	20
20	24698	99-05 99-05	Volkswagen Passat 4 Dr. Sedan, Except 4 Motion & W8 Engine Volkswagen Passat Wagon, Except 4 Motion & W8 Engine	19	40 40
35	24699	86-03 96-99 86-03 88-02 86-03 86-03	Ford Taurus 4 Dr. Sedan Ford Taurus 4 Dr. Sedan, Except SHO Ford Taurus Wagon Lincoln Continental Mercury Sable Sedan Mercury Sable Wagon	29	20 20 20 20 20 20
42	24701†	00-05 00-01	Dodge Neon Plymouth Neon	30	20 20
33	24703	01-06	Hyundai Elantra	19	15
31	24704	96-05	Toyota RAV4	21	15
31	24706	01-05	Honda Civic	19	15
44	24709†	01-04 01-06	KIA Magentis (Canada Only) KIA Optima	18	15 15
25	24710	93-01 02-07	Subaru Impreza Subaru Impreza Except WRX STi	20	30 30
28	24711	01-06	Chrysler Sebring Convertible	20	15
31	24713†	02-05	Hyundai Sonata	21	15
36	24714†	02-03	Mazda Protege5	28	15
34	24715	97-04 99-03	Toyota Camry 4 Dr. Sedan Toyota Solara	26	15 15
20	24719	02-06 02-05	Acura RSX Honda Civic Si	12	30 30
19	24720	03-04 05-11	Honda Element Honda Element Except SC	10	25 25
27	24721†	97-05 97-04 99-05 97-98	Chevrolet Venture Oldsmobile Silhouette Pontiac Montana Pontiac Trans Sport	20	30 30 30 30
25	24726†	03-08	Hyundai Tiburon	26	45
33	24727†	02-05	KIA Rio	14	20
30	24732	03-06	Mitsubishi Outlander	22	40
31	24733	00-01 03-05 95-02 03-05 95-99	Chevrolet Cavalier Chevrolet Cavalier Except LS Sport Chevrolet Cavalier Except Z-24 Pontiac Sunfire Pontiac Sunfire Except GT	31	40 40 40 40 40
31	24734	03-07	Saturn Ion Except Redline & w/2.4 Liter Engine	38	35
39	24735†	03-06	Subaru Baja	27	20
32	24736†	00-05	Hyundai Accent	19	20
35	24740	05-06	Nissan X-Trail (Canada Only)	24	45
20	24741	04-11 09 09 05-07 05-07 04-09	Chevrolet Aveo 5 Dr. Hatchback Pontiac G3 5 Dr. Pontiac G3 Wave 5 Dr. (Canada Only) Pontiac Wave 5 Dr. (Canada Only) Pontiac Wave5 (Canada Only) Suzuki Swift+ 5 Dr. (Canada Only)	13	30 30 30 30 30 30
20	24745	05-10 05-10 07-09 05-06 05-06	Chevrolet Cobalt 2 Dr., Except SS Chevrolet Cobalt 4 Dr., Except SS Pontiac G5 Except GT Pontiac Pursuit 2 Dr. (Canada Only) Pontiac Pursuit 4 Dr. (Canada Only)	18	40 40 40 40 40
22	24747	05-09	Ford Mustang Except GT/GS (California Special)/Shelby GT/GT500	18	45
29	24748	07-09 99-05	Volkswagen Jetta City Sedan (Canada Only) Volkswagen Jetta Sedan, Except Gas Turbo & Wagon	23	30 30
31	24750	00-06	Nissan Sentra	26	20
24	24754	06-12	Mitsubishi Eclipse	13	30
18	24755	04-08	Acura TL	10	35
30	24756	08 08 05-10 05-10 06-11 08-10 07-09 05-07 04-06	Chevrolet Cobalt Sport 2 Dr. Chevrolet Cobalt Sport 4 Dr. Chevrolet Cobalt SS 2 Dr. Chevrolet Cobalt SS 4 Dr. Chevrolet HHR Chevrolet HHR SS Pontiac G5 GT Saturn Ion 3 w/2.4 Liter Engine Saturn Ion Red Line	40	25 25 25 25 25 35 25 25 25
24	24757	06-10	Hyundai Sonata	21	20
31	24759	01-10 05-09	Chrysler PT Cruiser Chrysler PT Cruiser Convertible	19	30 30
32	24760	06-11	Hyundai Accent 4 Dr. Sedan	20	20

# RECEIVER HITCHES

PC	PART NO.	YEARS	MAKE/MODEL	WGT LBS	IN
32	24760	06-11	KIA Rio 4 Dr. Sedan	20	20
27	24763	06-15	Honda Civic 2 Dr. Coupe, Except Si	22	30
		06-15	Honda Civic 4 Dr. Sedan, Except Hybrid & Si		30
		06-15	Honda Civic Hybrid		35
		06-15	Honda Civic Hybrid		30
		06-11	Honda Civic Si, 2 Dr. Coupe		30
		06-11	Honda Civic Si, 4 Dr. Sedan		30
24	24764†	06-13	Suzuki Grand Vitara Except 3 Dr Hatchback	21	20
33	24767	03-07	Cadillac CTS	27	45
		08-13	Cadillac CTS 4 Dr. Sedan		45
		04-07	Cadillac CTS V		45
		09-13	Cadillac CTS V 4 Dr. Sedan		45
		05-11	Cadillac STS		45
25	24768†	06-08	Acura TSX 4 Dr. Sedan	28	40
23	24769	07	Dodge Caliber	19	15
		08-12	Dodge Caliber Except SRT-4		15
27	24772	02-06	Honda CR-V	21	20
20	24773	06-10	Mazda 5	17	25
35	24775	06-09	Ford Fusion	18	45
		07-09	Lincoln MKZ		45
		06	Lincoln Zephyr		45
		03-08	Mazda 6 4 Dr. Sedan		45
		04-08	Mazda 6 5 Dr. Hatchback		45
		06-09	Mercury Milan		45
18	24776	07-08	Honda Fit	18	25
29	24778	06-10	KIA Magentis (Canada Only)	19	20
		09-10	KIA Optima		20
		06-08	KIA Optima (App. starts with 2006-1/2)		20
27	24781	04-11	Volvo S40 Sedan (App. starts with 2004-1/2)	20	25
		05-10	Volvo V50 Wagon, Except T5 R-Design		25
16	24785†	04-07	Mazda 6 Sport Wagon	19	25
31	24787	03-07	Honda Accord Coupe	17	25
		03-07	Honda Accord Sedan		25
30	24788	02-06	Nissan Altima	26	30
		04-08	Nissan Maxima		30
18	24790	97-01	Honda CR-V	16	20
18	24791	01-03	Acura GL 3.2	18	15
		99-03	Acura TL 3.2		15
		98-02	Honda Accord Sedan		15
12	24792	07-11	Honda CR-V	17	20
22	24794	07-12	Nissan Sentra	17	30
28	24795	07-11	Hyundai Accent 3 Dr. Hatchback	21	25
		07-10	Hyundai Elantra 4 Dr. Sedan		25
		06-11	KIA Rio5 5 Dr. Hatchback		25
15	24796	07-20	Nissan Altima Sedan	19	45
		09-21	Nissan Maxima		45
27	24797	07-10	KIA Rondo	18	30
		11-12	KIA Rondo (Canada Only)		30
35	24798	07-11	Nissan Versa 4 Dr. Sedan	25	25
		07-12	Nissan Versa 5 Dr. Hatchback		25
33	24805	08-11	Ford Focus	23	30
28	24807	09-13	Subaru Forester	29	35
		08-11	Subaru Impreza 4 Dr. Sedan		35
24	24808	04-09	Toyota Prius	23	30
34	24809†	08-09	Saturn Astra Hatchback	24	25
23	24810	06-11	Chevrolet Avea 4 Dr. Sedan	19	20
28	24811†	08-10	Volvo C30	26	45
15	24812	03-08	Pontiac Vibe	21	15
		09-10	Pontiac Vibe Except GT		15
		03-13	Toyota Matrix		15
		14	Toyota Matrix (Canada Only)		15
33	24813	00-05	Toyota Echo Except Hatchback	27	15
13	24815	11-13	Scion tC Except Release Series	18	15
		08-13	Scion xB Except Release Series		15
27	24816	04-09	Mazda 3 4 Dr. Sedan, Except w/Grand Touring LED Taillights	20	35
		06-09	Mazda 3 4 Dr. Sedan, w/Grand Touring LED Taillights		35
		04-09	Mazda 3 5 Dr. Hatchback, Except w/Grand Touring LED Taillights		35
		06-09	Mazda 3 5 Dr. Hatchback, w/Grand Touring LED Taillights		35
18	24817	07-11	Suzuki SX4 Crossover	20	40
11	24819	07-11	Toyota Yaris 3 Dr. Liftback	14	20
		07-11	Toyota Yaris 4 Dr. Sedan		20
		09-11	Toyota Yaris 5 Dr. Liftback		20
31	24821†	08-09	Pontiac G8	33	45

PC	PART NO.	YEARS	MAKE/MODEL	WGT LBS	IN
11	24822	96-00	Honda Civic 3 Dr. Hatchback	7	20
25	24824	07-13	Volkswagen Eos	29	40
19	24825	10-13	Volkswagen Golf 2 Dr. Hatchback, Except R	23	15
		10-14	Volkswagen Golf 4 Dr. Hatchback, Except R		15
		10-13	Volkswagen Golf Hatchback (Canada Only), Except R		15
		06-09	Volkswagen GTI 2 Dr. Hatchback		15
		07-09	Volkswagen GTI 4 Dr. Hatchback		15
		06-09	Volkswagen Rabbit		15
21	24826	09-13	Honda Fit	27	25
11	24827	05-10	Scion tC	14	30
14	24828	08-10	Scion xD	19	20
11	24831	07-08	Infiniti G35 4 Dr. Sedan	16	45
		09-13	Infiniti G37 4 Dr. Sedan		45
25	24832	09-13	Mazda 6 4 Dr. Sedan	30	30
21	24833	06-09	Pontiac Solstice	26	40
		06-09	Pontiac Solstice		35
		07-09	Pontiac Solstice GXP		35
		07-09	Pontiac Solstice GXP		40
		07-09	Saturn Sky		35
19	24835	07-12	Mitsubishi Galant	16	30
25	24836	05-11	Audi A6 4 Dr. Sedan	16	25
		06-10	Audi A6 Quattro Avant Wagon		25
13	24839	10-13	KIA Soul Except w/LED Taillights	20	40
		10-13	KIA Soul w/LED Taillights		40
23	24840†	10	Ford Mustang Except GT/CS (California Special)/Shelby GT/GT500	27	45
25	24842	10-13	Mazda 3 4 Dr. Sedan, Except w/Grand Touring LED Taillights	25	20
		10-13	Mazda 3 4 Dr. Sedan, w/Grand Touring LED Taillights		20
20	24843	10-13	Mazda 3 5 Dr. Hatchback, Except w/Grand Touring LED Taillights	17	15
		10-13	Mazda 3 5 Dr. Hatchback, w/Grand Touring LED Taillights		15
14	24844	09-12	Hyundai Elantra Touring, 5 Dr.	21	25
20	24845	09-13	Nissan Cube	27	45
27	24846	10-13	KIA Forte 4 Dr. Sedan	24	20
18	24847	10-20	Toyota Prius Except w/Plug-In Model	18	25
		12-20	Toyota Prius V		25
22	24848	09-18	Volkswagen CC Except 4 Motion	18	35
		06-10	Volkswagen Passat 4 Dr. Sedan, Except 4 Motion		35
		07-10	Volkswagen Passat Wagon, Except 4 Motion		35
30	24850	10-15	Chevrolet Camaro Except Convertible & w/Dealer Installed Ground Effects	21	15
31	24852	10-11	Honda Accord Crosstour	26	40
		12-15	Honda Crosstour		40
25	24854†	10-13	Acura ZDX	19	25
25	24855	11-19	Ford Fiesta 5 Dr. Hatchback	26	30
37	24856	11-13	Ford Fiesta 4 Dr. Sedan	21	15
43	24857	07-11	BMW 328i Sedan	29	45
		07-11	BMW 328i xDrive Sedan		45
		07-08	BMW 328xi Sedan		45
23	24860†	10-12	Lexus HS250h Hybrid	20	25
27	24861	06-11	Acura CSX (Canada Only)	21	30
		13-20	Acura ILX Except Hybrid		35
24	24863	11-14	Ford Mustang V6 Models	19	40
		11-14	Ford Mustang V8 Models		40
25	24865	10-12	Ford Fusion	28	20
		10-12	Lincoln MKZ		20
		10-11	Mercury Milan		20
23	24866	10-14	Volkswagen Golf Wagon (Canada Only)	25	40
		05-14	Volkswagen Jetta 4 Dr. Sedan		40
		09-14	Volkswagen Jetta SportWagon		40
27	24867	11-17	Nissan JUKE AWD, Except Nismo & Nismo RS	23	40
28	24869	11-14	Mazda 2	27	30
50	24870	05-12	Toyota Avalon	32	40
28	24871	11-14	Chrysler 200 4 Dr. Sedan	25	15
		11-14	Chrysler 200 Convertible		15
		07-10	Chrysler Sebring Convertible		15
		07-10	Chrysler Sebring Except Convertible		15
		08-14	Dodge Avenger		15
18	24872	12-14	Ford Focus 5 Dr. Hatchback, Except ST w/Center Exhaust	23	25
		15-18	Ford Focus 5 Dr. Hatchback, Except ST w/Center Exhaust Models & RS		25
		12-18	Ford Focus Sedan		25
28	24873	12-19	FIAT 500 Except Abarth	20	30



PC	PART NO.	YEARS	MAKE/MODEL	WGT LBS	IN
24	24874	12-20	Mazda 5	26	25
20	24876	12-18	Chevrolet Sonic 4 Dr. Sedan	20	20
27	24877†	12-13	Volkswagen Beetle Except Convertible & Gas Turbo	25	20
25	24878	12-19	Chevrolet Sonic 5 Dr. Hatchback	28	20
29	24879†	12-13	Volkswagen Beetle Gas Turbo, Except Convertible	29	30
34	24880	17-19	Volkswagen Passat	30	30
		12-19	Volkswagen Passat 4 Dr. Sedan	30	30
		16-20	Volkswagen Passat Except SE & SEL	30	30
		16-19	Volkswagen Passat SE & SEL Only	30	30
27	24881	12-13	Chevrolet Orlando (Canada Only)	35	35
18	24882	12-19	Buick Verano Except Turbo or w/Dual Exhaust	24	40
		11-15	Chevrolet Cruze	15	15
		16-18	Chevrolet Cruze Limited Only (Old Body Style)	15	15
28	24883	12-17	KIA Rio 5 Dr. Hatchback	23	30
30	24884	12-20	Hyundai Accent 4 Dr. Sedan	26	15
		12-17	Hyundai Accent 5 Dr. Hatchback	15	15
		12-17	KIA Rio 4 Dr. Sedan, Except S	15	15
27	24885	08-17	Mitsubishi Lancer 4 Dr. Sedan, Except Evolution, Ralliart & w/Dual Exhaust	20	25
		10-14	Mitsubishi Lancer 5 Dr. Hatchback, Except Ralliart & w/Dual Exhaust	25	25
29	24887	12-20	Nissan Versa 4 Dr. Sedan	28	30
25	24888†	12-16	Subaru Impreza 4 Dr. Sedan, Except WRX & WRX STi	31	30
23	24889	12-20	Toyota Prius C	14	20
30	24890	13-16	Dodge Dart	28	20
30	24892	11-17	Nissan JUKE FWD, Except Nismo & Nismo RS	25	25
24	24893†	13-15	Chevrolet Spark Except w/Ground Effects	10	25
24	24894	13-15	Chevrolet Spark LT w/Ground Effects	20	25
29	24896	13-18	Ford C-MAX	19	25
19	24897	13-20	Ford Fusion Except Sport	23	20
		13-19	Lincoln MKZ Except 3.0 Liter Engine	20	20
19	24899	09-14	Acura TL	14	45
		09-14	Acura TSX 4 Dr. Sedan	45	45
		08-17	Honda Accord Coupe	45	45
		08-17	Honda Accord Coupe	30	30
		13-17	Honda Accord Coupe, Except w/LED Taillights	30	30
		13-15	Honda Accord Coupe, w/LED Taillights	45	45
		08-17	Honda Accord Sedan	30	30
		13-15	Honda Accord Sedan, Except w/LED Taillights	45	45
		13-15	Honda Accord Sedan, w/LED Taillights	45	45
17	24902	13-14	Hyundai Elantra 2 Dr. Coupe	24	25
		11-16	Hyundai Elantra 4 Dr. Sedan	25	25
23	24903	14-18	KIA Forte 4 Dr. Sedan	14	20
28	24904	10-14	Volkswagen GTI Hatchback	14	40
		10-12	Volkswagen GTI Hatchback (Canada Only)	40	40
25	24905	13-20	Hyundai Elantra GT Except for Korean Manufactured Vehicles	18	25
28	24907	13-20	Nissan Sentra Except SR	21	35
25	24908	14-20	Mazda 6 4 Dr. Sedan	25	30
15	24909	14-20	Nissan Versa Note	20	30
31	24910	14-19	Ford Fiesta 4 Dr. Sedan	25	15
14	24911	07-14	Toyota Yaris 3 Dr. Liftback	18	20
		07-14	Toyota Yaris 5 Dr. Liftback, Except SE	20	20
25	24912	14-18	Mazda 3 4 Dr. Sedan	19	15
23	24913	03-13	Toyota Corolla	22	20
		14-19	Toyota Corolla Except Hatchback	20	20
24	24914	14-18	Mazda 3 5 Dr. Hatchback	25	30
19	24915	14-19	KIA Soul Except w/LED Taillights	21	40
		14-19	KIA Soul w/LED Taillights	40	40
27	24916	14-15	Mitsubishi Mirage	20	20
		17-20	Mitsubishi Mirage Except Mirage G4	20	20
27	24919	15-18	Chrysler 200 4 Dr. Sedan	22	20
16	24920	15-20	Honda Fit	27	25
13	24921	14-16	Scion tC Except Dual Exhaust	19	15
28	24922	14-20	Volkswagen Beetle Except R-Line & GSR	25	20
25	24923	14-15	Lexus IS250 Except Convertible	28	35
		14-20	Lexus IS350	35	35
29	24924	13-20	Cadillac ATS Except ATS-V	24	30
25	24925	15-20	Volkswagen Golf Except Sportwagen Models	15	60
		16-20	Volkswagen GTI	60	60
33	24926	15-18	Volkswagen Jetta 4 Dr. Sedan, Except Hybrid & TDI	28	40
30	24927†	14-15	Cadillac CTS 4 Dr. Sedan	17	60
		16-20	Cadillac CTS 4 Dr. Sedan, Except CTS-V	60	60
43	24928	15-20	Ford Mustang	36	30
16	24929	15-19	Toyota Yaris Except SE	19	25
		20	Toyota Yaris Sedan	25	25
27	24930	15-20	Audi A3 Except Sportback e-tron	24	20

PC	PART NO.	YEARS	MAKE/MODEL	WGT LBS	IN
27	24931	14-20	Infiniti Q50	25	40
18	24932	16-20	Honda HR-V	18	35
33	24933	16-20	Mazda CX-3	28	25
37	24934	11-16	MINI Cooper Countryman Except John Cooper Works Model	34	70
30	24935	13-16	Scion FR-S	26	75
		13-20	Subaru BRZ	75	75
		17-20	Toyota 86	75	75
32	24936	15-16	BMW 528i	25	50
		15-16	BMW 528i xDrive	50	50
		15-16	BMW 535d	50	50
		15-16	BMW 535d xDrive	50	50
		15-16	BMW 535i	50	50
		15-17	BMW 535i GT	50	50
		15-17	BMW 535i GT xDrive	50	50
		15-16	BMW 535i xDrive	50	50
		15-16	BMW 550i	50	50
		15	BMW 550i GT	50	50
		15-17	BMW 550i GT xDrive	50	50
		15-16	BMW 550i xDrive	50	50
24	24937†	16	Honda Civic Sedan	24	65
23	24938	16-21	Chevrolet Camaro	22	50
15	24939	17-20	Hyundai Elantra 4 Dr. Except Limited & Sport Models	21	50
		17-20	Hyundai Elantra 4 Dr. Limited Models Except Sport	50	50
18	24941	16-21	Chevrolet Spark	21	45
29	24942	15-19	Acura TLX	16	60
18	24943	16-19	Chevrolet Cruze (New Body Style)	21	80
24	24945	12-17	BMW 320i	21	50
		12-17	BMW 320i xDrive	50	50
		12-16	BMW 328d	50	50
		12-16	BMW 328d xDrive Sedan	50	50
		12-16	BMW 328d xDrive Sports Wagon	50	50
		12-16	BMW 328i Sedan	50	50
		12-14	BMW 335i xDrive Sedan	50	50
24	24946†	16	Honda Civic Coupe	24	65
		16	Honda Civic Sedan	65	65
16	24947	16-19	Chevrolet Volt	21	60
32	24948	16	Scion iA	26	30
		17-18	Toyota Yaris iA	30	30
19	24949	17-20	Volkswagen Golf Alltrack	20	60
		15-20	Volkswagen Golf SportWagen	60	60
23	24950	09-20	Audi A4 4 Dr. Sedan	23	25
18	24951	17-19	Chevrolet Cruze Hatchback	21	60
20	24952	16	Scion iM	21	40
		17-18	Toyota Corolla iM	40	40
27	24953	15-20	Mercedes-Benz C300 Sedan, Except Models w/Sport Package	18	75
24	24954	16-20	Honda Civic Coupe, Except Models w/Center Exhaust	19	65
		16-20	Honda Civic Hatchback, Except Models w/Center Exhaust	65	65
		16-20	Honda Civic Sedan, Except Models w/Center Exhaust	65	65
28	24955†	16-19	Buick Cascada	33	15
20	24956	17-19	Chevrolet Bolt EV	25	20
37	24958	12-20	Tesla S	22	150
19	24959	08-20	Subaru Impreza 5 Dr. Wagon, Except WRX STi & w/Quad Exhaust Outlets	23	20
		08-20	Subaru Impreza 5 Dr. Wagon, Except WRX STi & w/Quad Exhaust Outlets	45	45
		13-15	Subaru XV Crosstrek Except Hybrid	30	30
		13-15	Subaru XV Crosstrek Hybrid	30	30
25	24960	12-20	Subaru Impreza 4 Dr. Sedan, Except WRX & WRX STi	31	40
19	24961	11-19	Ford Fiesta 5 Dr. Hatchback	26	30
23	24963	17-20	Hyundai Ioniq Hybrid	26	30
23	24964	18-20	Hyundai Elantra Except GT & Sport	31	40
		18-20	KIA Rio Sedan	40	40
22	24965	11-19	Hyundai Sonata Except Hybrid	35	40
		11-19	Hyundai Sonata Hybrid	40	40
		11-20	KIA Optima	40	40
16	24966	16-20	Toyota Prius	21	45
		17-20	Toyota Prius Prime	45	45
21	24967	10-20	Toyota Prius Except w/Plug-In Model	21	40
		12-15	Toyota Prius Plug-In	40	40
		12-20	Toyota Prius V	40	40
20	24968	15-20	Subaru WRX STI	31	60
28	24969†	14-20	FIAT 500L	25	45
25	24970	18	Hyundai Elantra GT Except Sport	42	45

# RECEIVER HITCHES

PC	PART NO.	YEARS	MAKE/MODEL	WGT LBS	IN
24	24971	12-20	Toyota Prius C	28	20
19	24972	18-20	Honda Accord	19	60
41	24974	18-20	KIA Stinger	42	90
30	24975	15-20	Volkswagen Golf R	20	75
41	24976	18-21	Hyundai Kona	26	35
33	24977	16-19	Ford Focus RS	42	60
37	24978	19-20	Volkswagen Jetta	20	80
30	24979	18-20	Volkswagen GTI	19	80
29	24980	18-20	Nissan Kicks	29	45
24	24982	19-20	Mazda 3 Sedan	28	40
23	24983	20	Toyota Corolla Sedan	29	40
17	24984f	19-20	Mazda 3 Hatchback	19	40
22	24985	20-21	KIA Soul Except GT Turbo & EV	22	30
28	24989	19-20	Volkswagen Arteon	22	50
23	24990	19-21	KIA Forte Sedan	23	40
26	24991	19-20	Toyota Corolla Hatchback	22	30
34	24992	20	Hyundai Venue	27	30
28	24993	20	Hyundai Sonata	41	30
34	24994	20	Volkswagen Passat 2.0T S	26	40
30	24995	20	Mazda CX-30	22	45
22	28501	04-06	Scion xB	21	25
<b>CLASS II: 1-1/4" HITCH</b>					
38	36110	20	Ford Escape Except Hybrid	28	30
17	36114	19-21	Acura RDX With +12V Power Provision	26	30
		19-21	Acura RDX Without +12V Power Provision		25
39	36116	92-09	Ford Crown Victoria	33	30
		79-82	Ford LTD		30
		83-86	Ford LTD Country Squire Wagon		30
		83-91	Ford LTD Crown Victoria		30
		83-91	Ford LTD Crown Victoria Wagon		30
		80-83	Lincoln Mark VI		30
		81-11	Lincoln Town Car		30
		87-91	Mercury Colony Park Wagon		30
		83-11	Mercury Grand Marquis		30
		83-86	Mercury Grand Marquis Colony Park Wagon		30
		03-04	Mercury Marauder		30
		79-82	Mercury Marquis Sedan		30
		79-82	Mercury Marquis Wagon		30
43	36124f	88-94	Buick Regal 2 Dr.	38	60
		91-94	Buick Regal 4 Dr., Except GS/Limited		60
		90-94	Chevrolet Lumina Except 7-34		60
		88-93	Oldsmobile Cutlass Supreme 2 Dr. FWD		60
		92-97	Oldsmobile Cutlass Supreme 4 Dr. FWD		60
		88-90	Pontiac Grand Prix Except SE & Turbo		60
		91-93	Pontiac Grand Prix Except Turbo		60
47	36136f	90-93	Chrysler Imperial	45	40
		87-95	Chrysler LeBaron 2 Dr. Coupe		40
		90-94	Chrysler LeBaron 4 Dr.		40
		86-88	Chrysler New Yorker		40
		90-93	Chrysler New Yorker Fifth Ave. FWD		40
		88-90	Chrysler New Yorker FWD Sedan		40
		90-93	Chrysler New Yorker Salon		40
		88-93	Dodge Dynasty		40
		89-95	Dodge Spirit		40
		89-95	Plymouth Acclaim		40
43	36170f	93-97	Chrysler Concorde	40	40
		93-97	Chrysler Intrepid (Canada Only)		40
		94-97	Chrysler LHS		40
		94-96	Chrysler New Yorker		40
		93-97	Dodge Intrepid		40
		93-97	Eagle Vision		40
60	36173f	89-93	Cadillac DeVille	43	40
		89-93	Cadillac Fleetwood Coupe & Sedan, FWD		40
41	36179	96-97	Ford Thunderbird	25	40
		89-95	Ford Thunderbird Except SC		40
		93-98	Lincoln Mark VIII		40
		89-97	Mercury Cougar		40
44	36183f	84-90	Dodge Caravan	30	30
		91-93	Dodge Caravan C/V Long Wheelbase, 2 WD		30
		94-95	Dodge Caravan C/V Long Wheelbase, 2 WD, Except LE		30
		91-95	Dodge Caravan C/V Short Wheelbase		30
		91-95	Dodge Caravan Short Wheelbase		30
		87-93	Dodge Grand Caravan Long Wheelbase, 2 WD		30
		94-95	Dodge Grand Caravan Long Wheelbase, 2 WD, Except LE		30
		84-88	Dodge Mini Ram		30
		87-90	Plymouth Grand Voyager		30

PC	PART NO.	YEARS	MAKE/MODEL	WGT LBS	IN
44	36183f	91-95	Plymouth Grand Voyager Long Wheelbase, 2 WD	30	30
		84-90	Plymouth Voyager		30
		91-95	Plymouth Voyager Short Wheelbase		30
43	36184f	94-96	Chevrolet Lumina APV	32	40
		94-96	Pontiac Trans Sport		40
51	36185f	94-96	Cadillac DeVille	37	40
41	36188f	85-96	Oldsmobile Cutlass Giera FWD	32	40
		85-91	Pontiac 6000 Except AWD		40
30	36189	95-98	Ford Windstar	25	30
		03	Ford Windstar (Built After 11/2002)		30
		99-03	Ford Windstar (Built Before 11/2002)		30
48	36193f	95-00	Chevrolet Lumina	40	60
		95-99	Chevrolet Monte Carlo		60
33	36197f	90-05	Chevrolet Astro Extended Body	38	30
		85-94	Chevrolet Astro Standard Body		30
		90-05	GMC Safari Extended Body		30
		85-94	GMC Safari Standard Body		30
34	36198f	90-05	Chevrolet Astro Extended Body	32	30
		85-94	Chevrolet Astro Standard Body		30
		90-05	GMC Safari Extended Body		30
		85-94	GMC Safari Standard Body		30
35	36204f	95-98	Honda Odyssey	28	30
		96-99	Isuzu Oasis		30
31	36206	96-14	Chevrolet Express 1500	25	15
		96-21	Chevrolet Express 2500		15
		96-21	Chevrolet Express 3500		15
		96-14	GMC Savana 1500		15
		96-21	GMC Savana 2500		15
		96-21	GMC Savana 3500		15
50	36211f	96-99	Oldsmobile 88	34	30
		96-99	Oldsmobile LSS		30
		97-98	Oldsmobile Regency		30
		96-99	Pontiac Bonneville Except SLE/SSE/SSEi		30
39	36222f	97-03	Infiniti QX4	28	20
		96-04	Nissan Pathfinder		20
41	36226f	96-04	Acura RL 3.5	28	30
41	36233	97-05	Chevrolet Malibu 4 Dr.	34	20
		97-99	Oldsmobile Cutlass 4 Dr., FWD		20
48	36234f	90-99	Subaru Legacy Coupe & Sedan	36	25
		90-95	Subaru Legacy Wagon		20
		96-99	Subaru Legacy Wagon, Except Outback		20
		96-99	Subaru Legacy Wagon, Outback		20
29	36238	97-06	Jeep TJ (Canada Only)	24	15
		97-06	Jeep Wrangler		15
51	36241	97-04	Buick Regal (App. starts with 97-1/2)	29	35
		97-08	Pontiac Grand Prix		35
36	36243f	98-04	Cadillac Seville	24	35
47	36245f	97-04	Buick Park Avenue	35	40
32	36246	91-00	Ford Explorer	27	15
		01-03	Ford Explorer 2 Dr. Sport		15
		01	Ford Explorer 4 Dr.		15
		91-94	Mazda Navajo		15
		97-01	Mercury Mountaineer		15
28	36247f	98-01	Honda Passport w/Door Mounted Spare	26	15
		98-00	Isuzu Amigo w/Door Mounted Spare		15
		01-03	Isuzu Rodeo Sport 2 Dr., w/Door Mounted Spare		15
		98-01	Isuzu Rodeo w/Door Mounted Spare		15
34	36248	98-04	Chevrolet S10	25	35
		83-97	Chevrolet S10 w/Standard Bed & Step Bumper		35
		83-90	GMC S15 w/Standard Bed & Step Bumper		35
		98-04	GMC Sonoma		35
		96-00	Isuzu Hombre w/Step Bumper		35
35	36252	86-03	Ford Taurus 4 Dr. Sedan	34	20
		96-99	Ford Taurus 4 Dr. Sedan, Except SHO		20
		96-99	Ford Taurus SHO		20
		86-03	Ford Taurus Wagon		20
		88-02	Lincoln Continental		20
		86-03	Mercury Sable Sedan		20
		86-03	Mercury Sable Wagon		20
34	36260f	84-01	Jeep Cherokee	23	30
		84-90	Jeep Wagoneer		30
41	36261f	93-98	Mercury Villager	27	15
		93-98	Nissan Quest		15
29	36262	93-97	Volvo 850 Sedan	20	20
		94-97	Volvo 850 Wagon		20
		98-04	Volvo C70 Convertible		20
		98-02	Volvo C70 Coupe		20

PC	PART NO.	YEARS	MAKE/MODEL	WGT LBS	IN
29	36262	98-00 98-00	Volvo S70 Sedan Volvo V70 Wagon	20 20	20 20
33	36266f	95-02	KIA Sportage	25	20
50	36267f	97-99	Cadillac DeVille	38	20
42	36270f	98-01	Chrysler Concorde	33	35
39	36271	99-03 01-03	Lexus RX300 Toyota Highlander	34 15	15 15
35	36275f	99-01 02-04	Chrysler 300M Chrysler 300M Except Special	31 30	30 30
33	36276	99-04	Jeep Grand Cherokee	38	15
34	36277f	99-02 99-02	Mercury Villager Nissan Quest	27 15	15 15
34	36280f	99-02 03	Saab 9-3 Saab 9-3 Convertible	30 30	30 30
46	36284	00-04 00-04 00-04 00-04	Subaru Legacy Sedan, Except Outback Subaru Legacy Wagon, Except Outback Subaru Outback Sedan, Except Sport Subaru Outback Wagon, Except Sport	36 20 20 20	20 20 20 20
41	36286f	99-05	Saab 9-5	29	30
33	36287	00-05 06-11	Cadillac DeVille Cadillac DTS	30 20	20 20
41	36288	99-04 99-05	Oldsmobile Alero Pontiac Grand Am	33 20	20 20
45	36292	00-07	Chevrolet Monte Carlo Except SS Sport Appearance Pkg.	32	30
41	36293	00-04	Toyota Avalon	28	20
23	36296	96-03 04-07 04-07 01-03 96-03 04-07 96-03 04-07 96-00	Chrysler Town & Country Chrysler Town & Country Except w/Stow & Go Seats Chrysler Voyager Dodge Caravan Dodge Caravan Except w/Stow & Go Seats Dodge Grand Caravan Dodge Grand Caravan Except w/Stow & Go Seats Plymouth Grand Voyager Plymouth Voyager	27 30 30 30 30 30 30 30 30	30 30 30 30 30 30 30 30 30
37	36297	01-09 01-07 03-07	Volvo S60 Sedan Volvo V70 Wagon Volvo XC70 Wagon, AWD	29 15 15	15 15 15
34	36298	98-03	Toyota Sienna	24	15
40	36301	95-00 01-06 95-06 96-00	Chrysler Cirrus Chrysler Sebring 4 Dr. Dodge Stratus 4 Dr. Plymouth Breeze	35 60 60 60	60 60 60 60
33	36303f	02-07	Jeep Liberty	30	15
41	36305f	02-05	KIA Sedona	31	20
39	36309	00-05 06-09 01-03 00-05	Buick LeSabre Buick Lucerne Except Super & Special Edition Oldsmobile Aurora Pontiac Bonneville	35 30 30 30	30 30 30 30
20	36311	98-08	Subaru Forester	24	30
47	36313	00-06 00-06 00-05 00-05	Ford Taurus 4 Dr. Sedan Ford Taurus Wagon Mercury Sable Sedan Mercury Sable Wagon	38 40 40 40	40 40 40 40
42	36317	04-07 08 08 06-07	Chevrolet Malibu 4 Dr. Chevrolet Malibu Classic LS Chevrolet Malibu Classic LT Chevrolet Malibu SS 4 Dr.	39 40 40 50	40 40 40 50
41	36318f	04-07 04-07	Ford Freestar Mercury Monterey	30 25	25 25
45	36320	05-07 05-07	Chrysler Town & Country w/Stow & Go Seats Dodge Grand Caravan w/Stow & Go Seats	38 25	25 25
35	36334	08-09 05-07 05-07 05-07 05-09	Subaru Legacy Sedan Subaru Legacy Sedan, Except Outback Subaru Legacy Wagon, Except Outback Subaru Outback Sedan, Except Sport Subaru Outback Wagon, Except Sport	26 25 25 25 25	25 25 25 25 25
23	36336	97-03 04-06 95-99 92-96 97-06 99-03	Lexus ES300 4 Dr. Lexus ES330 4 Dr. Toyota Avalon Toyota Camry Toyota Camry 4 Dr. Sedan Toyota Solara	34 15 15 15 15 15	15 15 15 15 15 15
33	36360	05-07 05-07 08-09 08-09	Ford Five Hundred Ford Freestyle Ford Taurus 4 Dr. Sedan Ford Taurus X	34 30 30 30	30 30 30 30

PC	PART NO.	YEARS	MAKE/MODEL	WGT LBS	IN
33	36360	05-07 08-09	Mercury Montego Mercury Sable Sedan	34 30	30 30
27	36361	05-07 05-08 09 97-05 97-04 99-05 05-06 07-09 97-98 05-07	Buick Terraza Chevrolet Uplander Chevrolet Uplander (Canada Only) Chevrolet Venture Oldsmobile Silhouette Pontiac Montana Pontiac Montana SV6 Pontiac Montana SV6 (Canada Only) Pontiac Trans Sport Saturn Relay	26 40 40 40 40 40 40 40 40 40	40 40 40 40 40 40 40 40 40
16	36362	06-10 05-10	Jeep Commander Jeep Grand Cherokee Except SRT-8	10 20	20 90
32	36363	05-09 05-10 05-10	Hyundai Tucson KIA Sportage 4 Cyl. KIA Sportage 6 Cyl.	24 25 25	25 25 25
37	36374	05-09 97-05 05-09 98-02	Buick Allure (Canada Only) Buick Century Sedan Buick LaCrosse Except Super Oldsmobile Intrigue	28 30 30 30	30 30 30 30
39	36378	04-08	Toyota Solara	25	15
34	36379f	04-07 04-07	Chevrolet Malibu Maxx LS Chevrolet Malibu Maxx LT	33 25	25 25
35	36407	00-13	Chevrolet Impala	38	30
18	36408	05-17 10-17 06-09 02-07	Chevrolet Equinox GMC Terrain Pontiac Torrent Saturn Vue Except Redline	28 25 25 25	25 25 25 25
20	36416	07-12 07-11 07-11	Lexus ES350 Toyota Camry 4 Dr. Sedan, Except Hybrid Toyota Camry Hybrid 4 Dr. Sedan	33 45 45	45 45 45
32	36417	99-17	Honda Odyssey	38	20
34	36419	07-12	Mazda CX-7	28	40
22	36423	07-10 11-17 07-10 07-17 07-17	Jeep Compass Jeep Compass (Old Body Style) Jeep Compass Rallye Edition Jeep Patriot Jeep Patriot	24 15 30 15 30	15 15 30 15 30
22	36424f	07-17 18 18 18-21 07-17	Jeep Wrangler Except w/Right Hand Drive, Hard Rock Edition, 75th Anniversary Edition & vehicles with Mopar Off Road Bumper #82213654 Jeep Wrangler JK Except w/Right Hand Drive, Hard Rock Edition, 75th Anniversary Edition & vehicles with Mopar Off Road Bumper #82213654 Jeep Wrangler JK Right Hand Drive, Except Hard Rock Edition, 75th Anniversary Edition & vehicles with Mopar Off Road Bumper #82213654 Jeep Wrangler JL (New Body Style), Except Diesel Jeep Wrangler Right Hand Drive, Except Hard Rock Edition, 75th Anniversary Edition & vehicles with Mopar Off Road Bumper #82213654	16 20 20 20 20	20 20 20 20 20
34	36425	02-07 01-05	Buick Rendezvous Pontiac Aztek	27 40	40 40
36	36426	05-09	Pontiac G6	30	30
21	36427f	07-09	Acura RDX	27	15
33	36447	07-10 07-10	Ford Edge Except Sport Lincoln MKX	34 45	45 45
30	36448	07-10 08-10	Chrysler Sebring Except Convertible Dodge Avenger	27 30	30 30
25	36450	08-09	Saturn Vue	28	15
31	36451	08-12	Jeep Liberty	31	15
24	36455	08-16 08-20 12-15 09-12 13-14	Chrysler Town & Country Dodge Grand Caravan RAM C/V Tradesman Volkswagen Routan Volkswagen Routan (Canada Only)	34 20 20 20 20	20 20 20 20 20
10	36474	09-17	Volkswagen Tiguan	6	20
30	36477	09-16	Lincoln MKS	44	30
24	36479	08-12 08-12 07-09	Chevrolet Malibu Except LTZ Chevrolet Malibu LTZ Saturn Aura	31 45 45	45 45 45
30	36486	09-14	Hyundai Genesis 4 Dr. Sedan	29	60
36	36492	10-19	Ford Taurus 4 Dr. Sedan	38	30
25	36493	10-19 10-19	Subaru Legacy Sedan Subaru Outback Wagon, Except Sport	33 45	45 45
22	36501	05-12	Ford Escape	32	20

# RECEIVER HITCHES

PC	PART NO.	YEARS	MAKE/MODEL	WGT LBS	IN
22	36501	05-11	Mazda Tribute	32	20
		05-11	Mercury Mariner		20
25	36502	10-11	Buick Lucerne	36	25
		08-09	Buick Lucerne Super & Special Edition		25
25	36509	11-20	Mitsubishi Outlander Sport Except PHEV	26	30
		11-14	Mitsubishi RVR (Canada Only)		30
21	36510	10-15	Hyundai Tucson	33	20
		11-16	KIA Sportage		20
29	36511	10-12	Hyundai Santa Fe	38	15
		11-13	KIA Sorento EX V6, w/Factory Tow Package		15
		11-13	KIA Sorento Except SX V6 & EX V6 w/Factory Tow Package		15
		11-13	KIA Sorento SX V6		15
29	36512	09-16	Toyota Venza	32	20
27	36513	04-14	Toyota Sienna	26	20
		15-20	Toyota Sienna Except SE		20
		15-20	Toyota Sienna SE		20
58	36519†	10-12	Buick LaCrosse AWD	40	25
		10-12	Buick LaCrosse FWD		20
		11-13	Buick Regal Except GS		20
16	36520	12-16	Honda CR-V	22	40
27	36521	09-13	Subaru Forester	30	35
46	36522†	10-13	Buick LaCrosse	33	25
		11-13	Buick Regal Except GS		20
		13	Chevrolet Malibu (Canada Only)		20
		13	Chevrolet Malibu Except LTZ & Canada Models		20
		13	Chevrolet Malibu LTZ Except Canada Models		20
21	36523	14-18	Subaru Forester	21	30
38	36524	13-19	Ford Escape	37	15
28	36525	14-20	KIA Rondo (Canada Only)	30	25
38	36529	13-19	Ford Escape	34	20
		13-19	Ford Escape		60
29	36530	13-18	Lexus ES350 Except Hybrid	32	40
32	36535†	13	Lexus GS350	26	60
27	36536	13-18	Hyundai Santa Fe Sport (5 Passenger)	20	30
		14-15	KIA Sorento w/ I4 Engine		30
		14-15	KIA Sorento w/ V6 Engine		30
42	36538	10-16	Buick LaCrosse	39	35
		11-17	Buick Regal		35
		13-19	Cadillac XTS		35
		14-20	Chevrolet Impala Except Impala Limited		35
		13-15	Chevrolet Malibu Except LTZ & Canada Models		35
		16-19	Chevrolet Malibu Limited LTZ, Except Canada Models (Old Body Style)		35
		16-19	Chevrolet Malibu Limited, Except LTZ & Canada Models (Old Body Style)		35
		14-15	Chevrolet Malibu LTZ Except Canada Models		35
23	36540	13-18	Toyota Avalon	35	40
		12-19	Toyota Camry Except Hybrid		40
46	36541†	14-20	Acura RLX	19	60
18	36542	08-13	Nissan Rogue Except Krom	28	15
		14-20	Nissan Rogue Except Sport		15
		14	Nissan Rogue Select		15
48	36543†	14	Chevrolet Impala Eco, Except Impala Limited	37	30
		14	Chevrolet Impala LS Except Impala Limited		30
		14	Chevrolet Impala LT Except Impala Limited		30
		14	Chevrolet Impala LTZ Except Impala Limited		30
28	36544†	12-17	Hyundai Azera	28	20
		14	KIA Cadenza		20
47	36546†	14	Buick LaCrosse	35	30
25	36548	05-20	Chrysler 300	35	30
		05-20	Chrysler 300		40
		08-20	Dodge Challenger Except Models w/Quad Tip Exhaust		30
		06-20	Dodge Charger		30
		05-08	Dodge Magnum		30
25	36554	13-16	Buick Encore	26	40
		17-21	Buick Encore Except Encore GX		40
		13-16	Chevrolet Trax		40
		17-21	Chevrolet Trax Except LS		40
		17-21	Chevrolet Trax LS		40
26	36572	16-21	Hyundai Tucson	27	30
		16-21	Hyundai Tucson		30
37	36586	15-19	Lincoln MKC	41	45
27	36587	15-20	Jeep Renegade	33	30
24	36588	06-18	Toyota RAV4	28	20
29	36593	17-19	KIA Sportage Except SX & SX Turbo	28	30
23	36594†	17-20	Buick LaCrosse	27	80

PC	PART NO.	YEARS	MAKE/MODEL	WGT LBS	IN
27	36596†	17-20	Lincoln Continental	26	50
16	36597	17-20	Honda CR-V Except Hybrid	28	20
25	36598	17-21	Jeep Compass (New Body Style)	36	40
28	36600	17-20	KIA Niro Except Plug-In-Hybrid	28	40
23	36601	13-16	Mazda CX-5	28	30
		17-19	Mazda CX-5 Except Diesel		20
23	36602†	13-16	Mazda CX-5	28	30
26	36633	18-21	Honda Odyssey With Fuse Provisions	46	80
		18-21	Honda Odyssey Without Fuse Provisions		25
30	36635	18-21	Volkswagen Atlas Except Cross Sport	38	25
22	36642	18-21	Chevrolet Equinox Except Premier or Models w/1.6L Diesel	28	35
		18-21	Chevrolet Equinox Premier, Except Models w/1.6L Diesel		35
		18-21	GMC Terrain Except Diesel		35
22	36643	19-21	Toyota Avalon	35	40
		18-20	Toyota Camry Including Hybrid		40
22	36644	18-21	Subaru Crosstrek Except Hybrid	31	60
		18-21	Subaru Crosstrek Hybrid		60
		18-20	Subaru Impreza 5 Dr. Wagon, Except WRX STI & w/Quad Exhaust Outlets		60
25	36650	18-20	Volkswagen Tiguan 4 Motion	35	20
		18-20	Volkswagen Tiguan Except 4 Motion		20
20	36652	17-20	Buick LaCrosse	27	80
		18-20	Buick Regal Sportback		80
		16-21	Chevrolet Malibu Except Premier (New Body Style)		80
		16-21	Chevrolet Malibu Premier (New Body Style)		80
27	36660	18-20	Ford EcoSport	31	45
41	36661	18-20	Buick Regal TourX	45	30
21	36671	19-21	Subaru Forester	28	30
24	36675	19-21	Toyota RAV4	45	35
24	36772	16-20	Mazda CX-9	37	30
22	36787	20-21	Ford Explorer	32	
26	36798	17-20	Chrysler Pacifica Hybrid (Needs Conversion Kit: 76046SK)	41	45
		17-20	Chrysler Pacifica Limited		45
		17-20	Chrysler Pacifica LX		45
		17-20	Chrysler Pacifica Touring		45
		17-20	Chrysler Pacifica Touring L		45
		17-20	Chrysler Pacifica Touring L Plus		45
		17-20	Chrysler Pacifica Touring Plus		45
32	37132	16-20	KIA Sorento w/ I4 Engine	40	40
		16-20	KIA Sorento w/ V6 Engine		40
25	37134	21	Chevrolet Trailblazer	28	60
<b>CLASS III/IV: RECEIVER</b>					
34	41001	63-86	Chevrolet C10 w/8' Bed	52	40
		63-86	Chevrolet C20 w/8' Bed		40
		88-91	Chevrolet C2500 Crew Cab w/8' Bed		40
		63-86	Chevrolet C30 w/8' Bed		45
		63-86	Chevrolet C30 w/8' Bed		40
		88-91	Chevrolet C3500 Crew Cab w/8' Bed		40
		63-86	Chevrolet K10 w/8' Bed		40
		63-86	Chevrolet K20 w/8' Bed		40
		88-91	Chevrolet K2500 Crew Cab w/8' Bed		40
		73-86	Chevrolet K30 w/8' Bed		40
		88-91	Chevrolet K3500 Crew Cab w/8' Bed		40
		63-72	Ford F-100		40
		63-74	Ford F-250		40
		63-74	Ford F-350		40
		99-00	Ford F-350 Super Duty Cab & Chassis, w/34" Wide Frames		40
		63-65	GMC 1000 Series w/8' Bed		40
		63-65	GMC 1500 Series w/8' Bed		40
		63-65	GMC 2500 Series w/8' Bed		40
		63-66	GMC 3000 w/8' Bed		40
		63-66	GMC 3500 w/8' Bed		40
		75-78	GMC C15 w/8' Bed		40
		67-74	GMC C15/C1500 w/8' Bed		40
		79-86	GMC C1500 w/8' Bed		40
		67-78	GMC C25 w/8' Bed		40
		88-91	GMC C2500 Crew Cab w/8' Bed		40
		79-86	GMC C2500 w/8' Bed		40
		67-78	GMC C35 w/8' Bed		40
		88-91	GMC C3500 Crew Cab w/8' Bed		40
		79-86	GMC C3500 w/8' Bed		40
		67-78	GMC K15 w/8' Bed		40
		79-86	GMC K1500 w/8' Bed		40

PC	PART NO.	YEARS	MAKE/MODEL	WGT LBS	IN				
34	41001	67-78	GMC K25 w/8' Bed	52	40				
		79-86	GMC K2500 w/8' Bed						
		67-78	GMC K35 w/8' Bed						
		88-91	GMC K3500 Crew Cab w/8' Bed						
		79-86	GMC K3500 w/8' Bed						
		74	International 100						
		69-70	International 1000D						
		71-73	International 1010						
		69-70	International 1100D						
		71-73	International 1110						
		69-70	International 1200D						
		71-73	International 1210						
		69-70	International 1300D						
		71-73	International 1310						
		74-75	International 150						
		69-71	International 1500D						
		74-75	International 200						
		25	41004			80-83	Ford F-100 Except w/Custom Fascia	52	30
						87-96	Ford F-150		
						80-86	Ford F-150 Except w/Custom Fascia		
87-96	Ford F-250								
80-86	Ford F-250 Except w/Custom Fascia								
97	Ford F-250 Heavy Duty								
87-96	Ford F-350								
80-86	Ford F-350 Except w/Custom Fascia								
97	Ford F-350 Heavy Duty								
54	41015			96-97	Lexus LX450	40	30		
		91-97	Toyota Land Cruiser						
38	41116	92-09	Ford Crown Victoria	48	30				
		79-82	Ford LTD						
		83-91	Ford LTD Crown Victoria						
		80-83	Lincoln Mark VI						
		81-11	Lincoln Town Car						
		83-11	Mercury Grand Marquis						
		03-04	Mercury Marauder						
		79-82	Mercury Marquis Sedan						
52	41121	78-95	Chevrolet G10	50	30				
		78-95	Chevrolet G20						
		78-95	Chevrolet G30						
		96	Chevrolet G30 Classic & Sport Full Size w/Lo-Mount Taillights						
		79-95	GMC G1500						
		79-95	GMC G2500						
		79-95	GMC G3500						
		96	GMC G3500 Vandura & Rally Full Size w/Lo-Mount Taillights						
34	41504	63-86	Chevrolet C10 w/Deep Drop Bumper	67	40				
		63-86	Chevrolet C20 w/Deep Drop Bumper						
		88-91	Chevrolet C2500 Crew Cab, w/Deep Drop Bumper						
		63-86	Chevrolet C30 w/Deep Drop Bumper						
		88-91	Chevrolet C3500 Crew Cab, w/Deep Drop Bumper						
		63-86	Chevrolet K10 w/Deep Drop Bumper						
		63-86	Chevrolet K20 w/Deep Drop Bumper						
		88-91	Chevrolet K2500 Crew Cab, w/Deep Drop Bumper						
		73-86	Chevrolet K30 w/Deep Drop Bumper						
		88-91	Chevrolet K3500 Crew Cab, w/Deep Drop Bumper						
		68-89	Dodge D100 w/Deep Drop Bumper						
		77-93	Dodge D150 w/Deep Drop Bumper						
		68-80	Dodge D200 w/Deep Drop Bumper						
		81-85	Dodge D250 w/Deep Drop Bumper						
		68-80	Dodge D300 w/Deep Drop Bumper						
		81-85	Dodge D350 w/Deep Drop Bumper						
		94-01	Dodge Ram 1500 w/Deep Drop Bumper						
		94-02	Dodge Ram 2500 w/Deep Drop Bumper						
		94-02	Dodge Ram 3500 w/Deep Drop Bumper						
		74-88	Dodge Ramcharger w/Deep Drop Bumper, Except w/Skid Shield						
		67-89	Dodge W100 w/Deep Drop Bumper						
		77-93	Dodge W150 w/Deep Drop Bumper						
		67-80	Dodge W200 w/Deep Drop Bumper						
		81-93	Dodge W250 w/Deep Drop Bumper						
		67-80	Dodge W300 w/Deep Drop Bumper						
		81-93	Dodge W350 w/Deep Drop Bumper						
		78-86	Ford Bronco w/Deep Drop Bumper						
		89-97	Ford F Super Duty Cab & Chassis, w/34" Wide Frames & 161" Wheelbase & w/Deep Drop Bumper						
		63-79	Ford F-100 w/Deep Drop Bumper						

PC	PART NO.	YEARS	MAKE/MODEL	WGT LBS	IN				
34	41504	80-83	Ford F-100 w/Deep Drop Bumper, Except w/Custom Fascia	67	40				
		75-96	Ford F-150 w/Deep Drop Bumper						
		80-86	Ford F-150 w/Deep Drop Bumper, Except w/Custom Fascia						
		97	Ford F-250 Heavy Duty, w/Deep Drop Bumper						
		63-96	Ford F-250 w/Deep Drop Bumper						
		80-86	Ford F-250 w/Deep Drop Bumper, Except w/Custom Fascia						
		97	Ford F-350 Heavy Duty, w/Deep Drop Bumper						
		99-00	Ford F-350 Super Duty Cab & Chassis, w/34" Wide Frames & w/Deep Drop Bumper						
		63-96	Ford F-350 w/Deep Drop Bumper						
		80-86	Ford F-350 w/Deep Drop Bumper, Except w/Custom Fascia						
		63-65	GMC 1000 Series w/Deep Drop Bumper						
		63-65	GMC 1500 Series w/Deep Drop Bumper						
		63-65	GMC 2500 Series w/Deep Drop Bumper						
		63-66	GMC 3000 w/Deep Drop Bumper						
		63-66	GMC 3500 w/Deep Drop Bumper						
		67-78	GMC C15 w/Deep Drop Bumper						
		79-86	GMC C1500 w/Deep Drop Bumper						
		67-78	GMC C25 w/Deep Drop Bumper						
		88-91	GMC C2500 Crew Cab, w/Deep Drop Bumper						
		79-86	GMC C2500 w/Deep Drop Bumper						
		67-78	GMC C35 w/Deep Drop Bumper						
		88-91	GMC C3500 Crew Cab, w/Deep Drop Bumper						
		79-86	GMC C3500 w/Deep Drop Bumper						
		67-78	GMC K15 w/Deep Drop Bumper						
		79-86	GMC K1500 w/Deep Drop Bumper						
		67-78	GMC K25 w/Deep Drop Bumper						
		79-86	GMC K2500 w/Deep Drop Bumper						
		67-78	GMC K35 w/Deep Drop Bumper						
		79-91	GMC K3500 w/Deep Drop Bumper						
		69-70	International 1000D w/Deep Drop Bumper						
		74-81	Plymouth Trailduster w/Deep Drop Bumper, Except w/Skid Shield						
		41	41511			99-00	Cadillac Escalade	46	30
						92-94	Chevrolet Blazer Full Size		
						92-99	Chevrolet Suburban C1500		
						92-99	Chevrolet Suburban C2500		
						92-99	Chevrolet Suburban K1500		
						92-99	Chevrolet Suburban K2500		
						95-00	Chevrolet Tahoe		
						92-99	GMC Suburban C1500		
						92-99	GMC Suburban C2500		
92-99	GMC Suburban K1500								
92-99	GMC Suburban K2500								
92-00	GMC Yukon								
99-00	GMC Yukon Denali								
33	41521	96-14	Chevrolet Express 1500	46	15				
		96-21	Chevrolet Express 2500						
		96-21	Chevrolet Express 3500						
		96-14	GMC Savana 1500						
		96-21	GMC Savana 2500						
		96-21	GMC Savana 3500						
37	41522	88-99	Chevrolet C1500 w/Aftermarket Roll Pan	27	40				
		88-99	Chevrolet C2500 w/Aftermarket Roll Pan						
		88-00	Chevrolet C3500 w/Aftermarket Roll Pan						
		88-99	Chevrolet K1500 w/Aftermarket Roll Pan						
		88-99	Chevrolet K2500 w/Aftermarket Roll Pan						
		88-00	Chevrolet K3500 w/Aftermarket Roll Pan						
		88-99	GMC C1500 w/Aftermarket Roll Pan						
		88-00	GMC C2500 w/Aftermarket Roll Pan						
		88-00	GMC C3500 w/Aftermarket Roll Pan						
		88-99	GMC K1500 w/Aftermarket Roll Pan						
44	41524	88-99	Chevrolet C1500	48	20				
		92-00	Chevrolet C2500 Crew Cab						
		88-99	Chevrolet C2500 Regular & Extended Cabs						
		92-00	Chevrolet C3500 Crew Cab						
		88-00	Chevrolet C3500 Regular & Extended Cabs						
		88-99	Chevrolet K1500						
		92-00	Chevrolet K2500 Crew Cab						
		88-99	Chevrolet K2500 Regular & Extended Cabs						
		92-00	Chevrolet K3500 Crew Cab						
		88-99	Chevrolet K3500 Regular & Extended Cabs						

# RECEIVER HITCHES

PC	PART NO.	YEARS	MAKE/MODEL	WGT LBS	IN
44	41524	88-00	Chevrolet K3500 Regular & Extended Cabs	48	20
		88-99	GMC C1500		
		88-00	GMC C2500		
		88-00	GMC C3500		
		88-99	GMC K1500		
		88-00	GMC K2500		
		88-00	GMC K3500		
41	41527	97-02	Ford Expedition	54	15
		98-02	Lincoln Navigator		
49	41528	88-99	Chevrolet C1500 w/10" Deep Drop Bumper	50	20
		92-00	Chevrolet C2500 Crew Cab w/10" Deep Drop Bumper		
		88-99	Chevrolet C2500 Regular & Extended Cabs, w/10" Deep Drop Bumper		
		92-00	Chevrolet C3500 Crew Cab w/10" Deep Drop Bumper		
		88-00	Chevrolet C3500 Regular & Extended Cabs, w/10" Deep Drop Bumper		
		88-99	Chevrolet K1500 w/10" Deep Drop Bumper		
		92-00	Chevrolet K2500 Crew Cab w/10" Deep Drop Bumper		
		88-99	Chevrolet K2500 Regular & Extended Cabs, w/10" Deep Drop Bumper		
		92-00	Chevrolet K3500 Crew Cab w/10" Deep Drop Bumper		
		88-00	Chevrolet K3500 Regular & Extended Cabs, w/10" Deep Drop Bumper		
		88-99	GMC C1500		
		88-00	GMC C2500 w/10" Deep Drop Bumper		
		88-00	GMC C3500 w/10" Deep Drop Bumper		
		88-99	GMC K1500 w/10" Deep Drop Bumper		
		88-00	GMC K2500 w/10" Deep Drop Bumper		
		88-00	GMC K3500 w/10" Deep Drop Bumper		
		31	41531		
97-06	Jeep Wrangler				
35	41533	94	Dodge Van, B150 Except w/Factory Step Bumper	50	20
		95-98	Dodge Van, B1500 Except w/Factory Step Bumper		
		94	Dodge Van, B250 Except w/Factory Step Bumper		
		95-98	Dodge Van, B2500 Except w/Factory Step Bumper		
		94	Dodge Van, B350 Except w/Factory Step Bumper		
		95-98	Dodge Van, B3500 Except w/Factory Step Bumper		
		99-03	Dodge Van, Ram 1500 Except w/Factory Step Bumper		
		99-03	Dodge Van, Ram 2500 Except w/Factory Step Bumper		
		99-03	Dodge Van, Ram 3500 Except w/Factory Step Bumper		
		99-03	Dodge Van, Ram 3500 Except w/Factory Step Bumper		
39	41534	99-02	Chevrolet Silverado 1500	52	20
		03-07	Chevrolet Silverado 1500 (Classic)		
		01-02	Chevrolet Silverado 1500 HD		
		03-07	Chevrolet Silverado 1500 HD (Classic)		
		99-04	Chevrolet Silverado 2500		
		99-02	GMC Sierra 1500		
		03-07	GMC Sierra 1500 (Classic)		
		01-03	GMC Sierra 1500 HD		
		05-07	GMC Sierra 1500 HD (Classic)		
		99-04	GMC Sierra 2500		
53	41536	94-01	Dodge Ram 1500	46	15
		94-02	Dodge Ram 2500		
		94-02	Dodge Ram 3500		
29	41537	99-04	Chevrolet Tracker	29	15
		99-05	Suzuki Grand Vitara		
		99-04	Suzuki Vitara		
		02-06	Suzuki XL-7		
35	41541	99-03	Lexus RX300	34	15
		01-03	Toyota Highlander		
25	41543	01-06	Hyundai Santa Fe	28	35
46	41544	01-02	Chevrolet Silverado 2500 HD	55	20
		03-07	Chevrolet Silverado 2500 HD (Classic)		
		01-02	Chevrolet Silverado 3500		
		03-07	Chevrolet Silverado 3500 (Classic)		
		01-02	GMC Sierra 2500 HD		
		03-07	GMC Sierra 2500 HD (Classic)		
		01-02	GMC Sierra 3500		
		03-07	GMC Sierra 3500 (Classic)		
		99-00	Ford F-350 Super Duty Cab & Chassis, w/34" Wide Frames		
		99-20	Ford F-450 Super Duty Cab & Chassis, w/34" Wide Frames		
99-21	Ford F-550 Super Duty Cab & Chassis, w/34" Wide Frames				
54	41549	04-05	Ford F-150	60	30
		06	Lincoln Mark LT (Built Before 8/2005)		
38	41551	04-15	Nissan Titan	40	15

PC	PART NO.	YEARS	MAKE/MODEL	WGT LBS	IN
36	75020†	87-95	Nissan Pathfinder	38	40
62	75031	84-95	Toyota Pickup Except T-100	60	60
35	75033	88-99	Chevrolet C1500	46	20
		92-00	Chevrolet C2500 Crew Cab		
		88-99	Chevrolet C2500 Regular & Extended Cabs		
		92-00	Chevrolet C3500 Crew Cab		
		88-00	Chevrolet C3500 Regular & Extended Cabs		
		88-99	Chevrolet K1500		
		92-00	Chevrolet K2500 Crew Cab		
		88-99	Chevrolet K2500 Regular & Extended Cabs		
		92-00	Chevrolet K3500 Crew Cab		
		88-00	Chevrolet K3500 Regular & Extended Cabs		
		88-99	GMC C1500		
		88-00	GMC C2500		
		88-00	GMC C3500		
		88-99	GMC K1500		
		88-00	GMC K2500		
		88-00	GMC K3500		
		34	75034		
63-86	Chevrolet C10				
63-86	Chevrolet C20				
63-86	Chevrolet C20				
88-91	Chevrolet C2500 Crew Cab				
63-86	Chevrolet C30				
63-86	Chevrolet C30				
88-91	Chevrolet C3500 Crew Cab				
63-86	Chevrolet K10				
63-86	Chevrolet K10				
63-86	Chevrolet K20				
63-86	Chevrolet K20				
88-91	Chevrolet K2500 Crew Cab				
73-86	Chevrolet K30				
88-91	Chevrolet K3500 Crew Cab				
63-72	Ford F-100				
63-72	Ford F-250				
63-74	Ford F-350				
63-65	GMC 1000 Series				
63-65	GMC 1500 Series				
63-65	GMC 2500 Series				
63-66	GMC 3000				
63-66	GMC 3500				
75-78	GMC C15				
67-74	GMC C15/C1500				
79-86	GMC C1500				
67-78	GMC C25				
79-86	GMC C2500				
88-91	GMC C2500 Crew Cab				
67-78	GMC C35				
79-86	GMC C3500				
88-91	GMC C3500 Crew Cab				
67-78	GMC K15				
67-78	GMC K15				
79-86	GMC K1500				
67-78	GMC K25				
79-86	GMC K2500				
67-78	GMC K35				
79-86	GMC K3500				
88-91	GMC K3500 Crew Cab				
74	International 100				
69-70	International 1000D				
71-73	International 1010				
69-70	International 1100D				
71-73	International 1110				
69-70	International 1200D				
71-73	International 1210				
69-70	International 1300D				
71-73	International 1310				
74-75	International 150				
69-71	International 1500D				
74-75	International 200				
35	75037	99-00	Cadillac Escalade	40	30
		92-94	Chevrolet Blazer Full Size		
		92-99	Chevrolet Suburban C1500		
		92-99	Chevrolet Suburban C2500		
		92-99	Chevrolet Suburban K1500		
		92-99	Chevrolet Suburban K2500		
95-00	Chevrolet Tahoe				

PC	PART NO.	YEARS	MAKE/MODEL	WGT LBS	IN				
35	75037	92-99	GMC Suburban C1500	40	30				
		92-99	GMC Suburban C2500						
		92-99	GMC Suburban K1500						
		92-99	GMC Suburban K2500						
		92-00	GMC Yukon						
99-00	GMC Yukon Denali								
34	75038	68-79	Dodge D100	38	30				
		77-93	Dodge D150						
		68-80	Dodge D200						
		81-93	Dodge D250						
		68-80	Dodge D300						
		81-93	Dodge D350						
		97-04	Dodge Dakota						
		67-89	Dodge W100						
		77-93	Dodge W150						
		67-80	Dodge W200						
		81-93	Dodge W250						
		67-80	Dodge W300						
		81-93	Dodge W350						
		78-96	Ford Bronco						
		75-79	Ford F-100						
		80-83	Ford F-100 Except w/Custom Fascia						
		87-96	Ford F-150						
		80-86	Ford F-150 Except w/Custom Fascia						
		75-96	Ford F-250						
		80-86	Ford F-250 Except w/Custom Fascia						
		97	Ford F-250 Heavy Duty						
		75-96	Ford F-350						
		80-86	Ford F-350 Except w/Custom Fascia						
		97	Ford F-350 Heavy Duty						
		30	75041			93-98	Jeep Grand Cherokee	40	40
						93	Jeep Grand Wagoneer		
		41	75043i			96-99	Acura SLX	41	40
						92-02	Isuzu Trooper		
		37	75049			94-97	Honda Passport	34	40
						91-97	Isuzu Rodeo		
34	75051	83-97	Chevrolet S10 w/Standard Bed & Step Bumper	37	40				
		83-90	GMC S15 w/Standard Bed & Step Bumper						
		96-97	Isuzu Hombre w/Step Bumper						
30	75054	84-01	Jeep Cherokee	36	40				
		84-90	Jeep Wagoneer						
43	75055	95-98	Ford Windstar	38	40				
		03	Ford Windstar (Built After 11/2002)						
		99-03	Ford Windstar (Built Before 11/2002)						
28	75065	97-03	Ford F-150 Flareside	44	30				
		04	Ford F-150 Heritage Flareside						
		04	Ford F-150 Heritage Styleside						
		97-03	Ford F-150 Styleside						
		00-03	Ford F-150 SuperCrew						
		97-99	Ford F-250 Styleside						
42	75071	97-02	Ford Expedition	47	15				
		98-02	Lincoln Navigator						
31	75073	87-04	Dodge Dakota	39	15				
		87-04	Dodge Dakota						
35	75075	97-04	Mitsubishi Montero Sport	34	20				
34	75077	97-03	Infiniti QX4	32	20				
		96-04	Nissan Pathfinder						
32	75078	95-04	Toyota Tacoma (App. starts with 95-1/2)	42	40				
21	75079	95-05	Chevrolet Blazer Downsize	29	15				
		99-01	Chevrolet Blazer Trailblazer						
		95-05	GMC Jimmy Downsize						
		96-01	Oldsmobile Bravada						
34	75081	98-03	Dodge Durango	44	15				
24	75082	93-11	Ford Ranger	30	20				
		83-92	Ford Ranger Except GT						
		94-09	Mazda B2300						
		98-01	Mazda B2500						
		94-08	Mazda B3000						
		94-09	Mazda B4000						
34	75083	91-00	Ford Explorer	30	15				
		01-03	Ford Explorer 2 Dr. Sport						
		01	Ford Explorer 4 Dr.						
		91-94	Mazda Navajo						
		97-01	Mercury Mountaineer						
30	75085	98-04	Chevrolet S10	35	40				
		96-97	Chevrolet S10 w/Sportside Bed & Non-Towing Bumper						
		98-04	GMC Sonoma						

PC	PART NO.	YEARS	MAKE/MODEL	WGT LBS	IN
30	75085	96-97	GMC Sonoma w/Sportside Bed & Non-Towing Bumper	35	40
		98-00	Isuzu Hombre w/Step Bumper		
34	75087	98-02	Mercedes-Benz ML320	21	30
		03-05	Mercedes-Benz ML350		
		99-01	Mercedes-Benz ML430		
		02-05	Mercedes-Benz ML500		
42	75089	93-98	Mercury Villager	37	15
		93-98	Nissan Quest		
41	75090	94	Dodge Van, B150 Except w/Factory Step Bumper	41	20
		95-98	Dodge Van, B1500 Except w/Factory Step Bumper		
		94	Dodge Van, B250 Except w/Factory Step Bumper		
		95-98	Dodge Van, B2500 Except w/Factory Step Bumper		
		94	Dodge Van, B350 Except w/Factory Step Bumper		
		95-98	Dodge Van, B3500 Except w/Factory Step Bumper		
		99-03	Dodge Van, Ram 1500 Except w/Factory Step Bumper		
99-03	Dodge Van, Ram 2500 Except w/Factory Step Bumper				
99-03	Dodge Van, Ram 3500 Except w/Factory Step Bumper				
42	75091	96-02	Toyota 4Runner	40	30
32	75092	98-01	Honda Passport w/Door Mounted Spare	34	15
		98-01	Isuzu Rodeo w/Door Mounted Spare		
30	75093	98-02	Honda Passport w/Under Vehicle Spare	30	15
		02-03	Isuzu Axiom w/Under Vehicle Spare		
		98-04	Isuzu Rodeo w/Under Vehicle Spare, Except w/3.5L		
45	75095	98-07	Lexus LX470	36	20
		98-07	Toyota Land Cruiser		
31	75096	91-00	Ford Explorer	38	15
		91-00	Ford Explorer		
		01-03	Ford Explorer 2 Dr. Sport		
		01	Ford Explorer 4 Dr.		
		91-94	Mazda Navajo		
		97-01	Mercury Mountaineer		
25	75099	88-99	Chevrolet C1500	50	20
		92-00	Chevrolet C2500 Crew Cab		
		88-99	Chevrolet C2500 Regular & Extended Cabs		
		92-00	Chevrolet C3500 Crew Cab		
		88-00	Chevrolet C3500 Regular & Extended Cabs		
		88-99	Chevrolet K1500		
		92-00	Chevrolet K2500 Crew Cab		
		88-99	Chevrolet K2500 Regular & Extended Cabs		
		92-00	Chevrolet K3500 Crew Cab		
		88-99	GMC C1500		
88-00	GMC C2500				
88-00	GMC C3500				
88-99	GMC K1500				
88-00	GMC K2500				
88-00	GMC K3500				
23	75101	94-01	Dodge Ram 1500	38	15
		94-02	Dodge Ram 2500		
		94-02	Dodge Ram 3500		
41	75102i	99-02	Mercury Villager	32	15
		99-02	Nissan Quest		
30	75105	00-06	Toyota Tundra	50	15
41	75107	00-04	Nissan Xterra	28	15
45	75108	00-03	Mazda MPV Except w/Ground Effects	49	15
32	75112	01-05	Ford Explorer Sport Trac	38	15
46	75116	01-06	Mitsubishi Montero Except Montero Sport	40	20
36	75118	01-04	Ford Escape	31	35
		01-04	Mazda Tribute		
30	75119	96-03	Chrysler Town & Country	38	30
		04-07	Chrysler Town & Country Except w/Stow & Go Seats		
		01-03	Chrysler Voyager		
		96-03	Dodge Caravan		
		04-07	Dodge Caravan Except w/Stow & Go Seats		
		96-03	Dodge Grand Caravan		
		04-07	Dodge Grand Caravan Except w/Stow & Go Seats		
		96-00	Plymouth Grand Voyager		
96-00	Plymouth Voyager				
34	75120	98-03	Toyota Sienna	33	30
45	75121	78-95	Chevrolet G10	45	40
		78-95	Chevrolet G20		
		78-95	Chevrolet G30		
		96	Chevrolet G30 Classic & Sport Full Size w/Lo-Mount Taillights		
		79-95	GMC G1500		
		79-95	GMC G2500		
		79-95	GMC G3500		

# RECEIVER HITCHES

PC	PART NO.	YEARS	MAKE/MODEL	WGT LBS	IN
45	75121	96	GMC G3500 Vandura & Rally Full Size w/Lo-Mount Taillights	45	40
33	75122	90-05 90-05	Chevrolet Astro Extended Body GMC Safari Extended Body	47	30 30
42	75123†	83-94 84-91 84-91 92-94 83 84-91 84-91 91-94	Chevrolet Blazer S10 Chevrolet Blazer S10 2 Dr. Chevrolet Blazer S10 4 Dr. GMC Jimmy Downsize GMC S15 Jimmy GMC S15 Jimmy 2 Dr. GMC S15 Jimmy 4 Dr. Oldsmobile Bravada	32	60 60 60 60 60 60 60 60
31	75125	96-05	Toyota RAV4	25	15
57	75126	01-07	Toyota Sequoia Except Models w/OEM Hitch	42	20
23	75128	02-07	Jeep Liberty	39	15
44	75129	73-91 75-86 73-91	Chevrolet Blazer Full Size Chevrolet Blazer K5 GMC Jimmy Full Size	34	30 30 30
41	75131	02-05	KIA Sedona	33	30
47	75132	02-05 03-05 02-05	Ford Explorer 4 Dr. Lincoln Aviator Mercury Mountaineer	38	20 20 20
14	75135	02-03	Dodge Ram 1500 (Built Before 11/2002)	22	15
32	75138	02-07 01-05	Buick Rendezvous Pontiac Aztek	38	55 55
31	75139	99-04	Jeep Grand Cherokee	43	15
30	75140	78-80 81-94 95-98 78-80 81-94 95-98 78-80 81-94 95-98 99-03 99-03 99-03	Dodge Van, B100 Dodge Van, B150 Dodge Van, B1500 Dodge Van, B200 Dodge Van, B250 Dodge Van, B2500 Dodge Van, B300 Dodge Van, B350 Dodge Van, B3500 Dodge Van, Ram 1500 Dodge Van, Ram 2500 Dodge Van, Ram 3500	41	30 30 30 30 30 30 30 30 30 30 30 30
59	75144	93-98	Toyota T100	48	45
34	75148	03-07	Nissan Murano	32	30
11	75151	06-08 03 04-05 03-09 03-09	Dodge Ram 1500 Dodge Ram 1500 (Built After 11/2002) Dodge Ram 1500 Except Daytona/Hemi Sport Quad Cab/Ram Rumble Bee/SRT-10 Dodge Ram 2500 Dodge Ram 3500	14	20 20 20 20 20
36	75152	03-14	Volvo XC90	29	25
32	75153	04-06 07-09 06-08 04-07	Lexus RX330 Lexus RX350 Lexus RX400h Hybrid Toyota Highlander	37	20 20 20 20
47	75155	03-09 03-09	Lexus GX470 Toyota 4Runner	31	35 35
50	75156	04-05 06	Ford F-150 Lincoln Mark LT (Built Before 8/2005)	50	30 30
45	75158	04-07 04-07	Ford Freestar Mercury Monterey	33	30 30
50	75159	04-09	Nissan Quest	47	20
18	75162	07-09 04-09	Chrysler Aspen Dodge Durango	19	50 50
37	75163	04-05	Mitsubishi Endeavor	27	20
32	75172†	03-06 03-06 03-06	Cadillac Escalade Cadillac Escalade ESV Cadillac Escalade EXT	31	30 30 30
58	75174	04-09	Cadillac SRX Except w/Sport Package Fascia	56	60
41	75186	88-94 98-04 95-97	Nissan D21 Nissan Frontier Nissan Pickup	43	30 30 30
20	75189	96-14 96-21 96-21 96-14 96-21 96-21	Chevrolet Express 1500 Chevrolet Express 2500 Chevrolet Express 3500 GMC Savana 1500 GMC Savana 2500 GMC Savana 3500	39	15 15 15 15 15 15
28	75193	97-06 97-06	Jeep TJ (Canada Only) Jeep Wrangler	31	15 15

PC	PART NO.	YEARS	MAKE/MODEL	WGT LBS	IN
48	75210	03-06 03-06 03-06 03-06	Dodge Sprinter 2500 w/41" Wide Frames, Except 118" Wheelbase & Factory Metal Step Platform Dodge Sprinter 3500 w/41" Wide Frames, Except 118" Wheelbase & Factory Metal Step Platform Freightliner Sprinter 2500 w/41" Wide Frames, Except 118" Wheelbase & Factory Metal Step Platform Freightliner Sprinter 3500 w/41" Wide Frames, Except 118" Wheelbase & Factory Metal Step Platform	45	20 20 20 20
28	75214	15-20 19-20 15	Ford Edge Except Sport & Titanium Models Ford Edge Except Titanium Models Ford Edge Titanium Model Only	33	30 30 30
45	75216	15-20	Ford F-150	42	30
40	75218	13-18	Audi Q3	40	50
37	75219	15-20	RAM ProMaster City	30	60
35	75220†	13-20	Isuzu MU-X	43	45
36	75223	17-20 15-20	Infiniti QX30 Except Sport Model Mercedes-Benz GLA250	35	90 90
37	75225	13-20 16-21	Acura MDX Except w/Full Size Spare Tire Honda Pilot	40	20 20
25	75227	12-19	Land Rover Range Rover Evoque Excluding Autobiography	31	45
41	75229	15-18	Land Rover Range Rover Sport	35	45
39	75232	11-18 19	RAM 1500 RAM 1500 (Classic)	39	40 40
35	75234	15-20 19-20 15-20 16-18 19-20	Ford Edge Except Sport & Titanium Models Ford Edge Except Titanium Models Ford Edge Titanium and Sport Models Only Lincoln MKX Lincoln Nautilus	35	45 30 45 45 45
20	75235	06-18	Toyota RAV4	39	20
15	75236	05-15	Toyota Tacoma Except X-Runner	37	30
23	75237	04-14 15-20 15-20	Toyota Sienna Toyota Sienna Except SE Toyota Sienna SE	39	30 30 30
20	75238	16-21	Toyota Tacoma	35	20
27	75251	05-10 06-09 11	Dodge Dakota Mitsubishi Raider RAM Dakota	36	20 20 20
21	75270	99-17	Honda Odyssey	44	15
22	75278	05-07 05-08 09 97-05 97-04 99-05 05-06 07-09 97-98 05-07	Buick Terraza Chevrolet Uplander Chevrolet Uplander (Canada Only) Chevrolet Venture Oldsmobile Silhouette Pontiac Montana Pontiac Montana SV6 Pontiac Montana SV6 (Canada Only) Pontiac Trans Sport Saturn Relay	39	40 40 40 40 40 40 40 40 40 40
40	75280	06-14	Honda Ridgeline	38	20
20	75282	05-21 09-12	Nissan Frontier Suzuki Equator	35	30 30
36	75291	05-15	Nissan Xterra	28	30
39	75292	04-06	Dodge Durango	46	20
42	75299	05-07 05-07 08-09 08-09 05-07 08-09	Ford Five Hundred Ford Freestyle Ford Taurus 4 Dr. Sedan Ford Taurus X Mercury Montego Mercury Sable Sedan	37	30 30 30 30 30 30
54	75305	05-07 05-07	Chrysler Town & Country w/Stow & Go Seats Dodge Grand Caravan w/Stow & Go Seats	47	25 25
19	75338	06-10 05-10	Jeep Commander Jeep Grand Cherokee Except SRT-8	26	20 90
30	75362	99-13 03-07 01-03 05-07 99-04 99-13 03-07 01-03 05-07 99-04	Chevrolet Silverado 1500 Chevrolet Silverado 1500 (Classic) Chevrolet Silverado 1500 HD Chevrolet Silverado 1500 HD (Classic) Chevrolet Silverado 2500 GMC Sierra 1500 GMC Sierra 1500 (Classic) GMC Sierra 1500 HD GMC Sierra 1500 HD (Classic) GMC Sierra 2500	40	15 15 15 15 15 15 15 15 15 15
47	75363	04-10	Volkswagen Touareg	34	90



PC	PART NO.	YEARS	MAKE/MODEL	WGT LBS	IN
25	75371	04-10	BMW X3	25	100
50	75376	07-08	Mercedes-Benz ML320 CDI Except w/Adaptive Variable Suspension	41	50
		10-11	Mercedes-Benz ML350 Except BlueTEC or w/Adaptive Variable Suspension		50
		06-09	Mercedes-Benz ML350 Except w/Adaptive Variable Suspension		50
		10-11	Mercedes-Benz ML450 Hybrid, Except w/Adaptive Variable Suspension		50
		06-07	Mercedes-Benz ML500 Except w/Adaptive Variable Suspension		50
		08-11	Mercedes-Benz ML550 Except w/Adaptive Variable Suspension		50
43	75382	06-10	Hummer H3	36	25
33	75401	06-07	Subaru B9 Tribeca	32	35
		08-10	Subaru Tribeca		35
46	75420	06-08	Dodge Ram 1500	52	25
		03	Dodge Ram 1500 (Built After 11/2002)		25
		04-05	Dodge Ram 1500 Except Daytona/Hemi Sport Quad Cab/Ram Rumble Bee/SRT-10		25
		03-09	Dodge Ram 2500		25
		03-09	Dodge Ram 3500		25
45	75421	07-09	Hyundai Entourage	35	20
		06-14	KIA Sedona 118.9" Long Wheelbase		20
28	75430	02-07	Buick Rendezvous	33	40
		01-05	Pontiac Aztek		40
39	75437	06-10	Ford Explorer w/1-1/4" Receivers	34	25
		06-10	Mercury Mountaineer w/1-1/4" Receivers		25
30	75448	06-13	Suzuki Grand Vitara Except 3 Dr Hatchback	36	20
34	75461	07-14	Toyota FJ Cruiser	34	30
43	75470	09	Mercedes-Benz R320 BlueTEC	45	25
		09	Mercedes-Benz R320 BlueTEC w/Panoramic Roof Package		50
		07-08	Mercedes-Benz R320 CDI		25
		07-08	Mercedes-Benz R320 CDI w/Panoramic Roof Package		50
		06-12	Mercedes-Benz R350		25
		06-12	Mercedes-Benz R350 w/Panoramic Roof Package		50
		06-07	Mercedes-Benz R500		25
		06-07	Mercedes-Benz R500 w/Panoramic Roof Package		50
37	75471	07-09	Hyundai Santa Fe	43	20
28	75492	00-06	BMW X5	26	60
45	75500	73-86	Chevrolet Suburban C10	34	40
		73-86	Chevrolet Suburban C10		20
		73-86	Chevrolet Suburban C20		20
		73-86	Chevrolet Suburban C20		40
		73-86	Chevrolet Suburban K10		20
		73-86	Chevrolet Suburban K10		40
		73-86	Chevrolet Suburban K20		40
		73-86	Chevrolet Suburban K20		20
		87-88	Chevrolet Suburban R10		20
		89-91	Chevrolet Suburban R1500		20
		87-88	Chevrolet Suburban R20		20
		89-91	Chevrolet Suburban R2500		20
		87-88	Chevrolet Suburban V10		20
		89-91	Chevrolet Suburban V1500		20
		87-88	Chevrolet Suburban V20		20
		89-91	Chevrolet Suburban V2500		20
		73-78	GMC Suburban C15		40
		79-86	GMC Suburban C1500		40
		79-86	GMC Suburban C1500		20
		75-78	GMC Suburban C25		40
		79-86	GMC Suburban C2500		20
		79-86	GMC Suburban C2500		40
		73-78	GMC Suburban K15		40
		79-86	GMC Suburban K1500		40
		79-86	GMC Suburban K1500		20
		73-78	GMC Suburban K25		40
		79-86	GMC Suburban K2500		40
		79-86	GMC Suburban K2500		20
		87-91	GMC Suburban R1500		20
		87-91	GMC Suburban R2500		20
		87-91	GMC Suburban V1500		20
		87-91	GMC Suburban V2500		20
25	75506	06-08	Ford F-150	36	20
		06-08	Lincoln Mark LT (Built After 8/2005)		20
46	75507	04-06	Mazda MPV	44	20
		00-03	Mazda MPV w/Ground Effects		20

PC	PART NO.	YEARS	MAKE/MODEL	WGT LBS	IN
29	75512	07-12	Mazda CX-7	32	40
29	75516	03-09	KIA Sorento	37	15
29	75517	07-11	Dodge Nitro	39	20
41	75519	06-08	Mitsubishi Endeavor	34	25
22	75521	99-13	Chevrolet Silverado 1500	42	15
		03-07	Chevrolet Silverado 1500 (Classic)		15
		01-03	Chevrolet Silverado 1500 HD		15
		05-07	Chevrolet Silverado 1500 HD (Classic)		15
		99-04	Chevrolet Silverado 2500		15
		99-13	GMC Sierra 1500		15
		03-07	GMC Sierra 1500 (Classic)		15
		01-03	GMC Sierra 1500 HD		15
		05-07	GMC Sierra 1500 HD (Classic)		15
		99-04	GMC Sierra 2500		15
37	75522	04-08	Chrysler Pacifica	35	45
25	75527	07-21	Toyota Tundra (See Footnote CP)	32	20
19	75528	08-17	Buick Enclave	24	25
		09-17	Chevrolet Traverse		25
		07-16	GMC Acadia		25
		17	GMC Acadia Limited		25
		07-09	Saturn Outlook		25
29	75529	07-09	Suzuki XL-7	26	30
37	75531	07-15	Mazda CX-9	27	15
53	75532	07-12	Hyundai Veracruz	51	30
26	75540	16-19	Lexus RX350	31	20
		16-19	Lexus RX450h		40
34	75547	07-11	Honda CR-V	33	25
53	75549	07-09	Dodge Sprinter 2500 144" & 170" Wheelbase, Except w/Factory Step Bumper	40	20
		07-09	Dodge Sprinter 3500 144" & 170" Wheelbase, Except w/Factory Step Bumper		20
		07-13	Freightliner Sprinter 2500 144" & 170" Wheelbase, Except w/Factory Step Bumper		20
		07-13	Freightliner Sprinter 3500 144" & 170" Wheelbase, Except w/Factory Step Bumper		20
		07-18	Mercedes-Benz Sprinter 144" & 170" Wheelbase, Except w/Factory Step Bumper		20
		10-20	Mercedes-Benz Sprinter 2500 144" & 170" Wheelbase, Except w/Factory Step Bumper		20
		10-20	Mercedes-Benz Sprinter 3500 144" & 170" Wheelbase, Except w/Factory Step Bumper		20
34	75550	01-10	Chevrolet Silverado 2500 HD	40	20
		03-07	Chevrolet Silverado 2500 HD (Classic)		20
		01-02	Chevrolet Silverado 3500		20
		03-07	Chevrolet Silverado 3500 (Classic)		20
		07-10	Chevrolet Silverado 3500 HD		20
		01-10	GMC Sierra 2500 HD		20
		03-07	GMC Sierra 2500 HD (Classic)		20
		01-02	GMC Sierra 3500		20
		03-07	GMC Sierra 3500 (Classic)		20
		07-10	GMC Sierra 3500 HD		20
45	75551	07-10	KIA Sedona 113.8" Short Wheelbase	41	25
44	75555	07-10	Mitsubishi Outlander	39	25
		11-13	Mitsubishi Outlander Except Outlander Sport or PHEV		25
30	75556	12-15	Chevrolet Captiva Sport	32	15
		08-09	Saturn Vue		15
40	75560	08-09	Subaru Legacy Sedan	25	25
		05-07	Subaru Legacy Sedan, Except Outback		25
		05-07	Subaru Legacy Wagon, Except Outback		25
		05-07	Subaru Outback Sedan, Except Sport		25
		05-09	Subaru Outback Wagon, Except Sport		25
30	75561	05-09	Hyundai Tucson	29	25
		05-10	KIA Sportage 4 Cyl.		25
		05-10	KIA Sportage 6 Cyl.		25
33	75563	07-09	Acura RDX	27	30
36	75578	08-12	Jeep Liberty	36	20
19	75579	08-16	Chrysler Town & Country	45	20
		08-20	Dodge Grand Caravan		20
		12-15	RAM C/V Tradesman		20
		09-12	Volkswagen Routan		20
		13-14	Volkswagen Routan (Canada Only)		20
35	75586	08-13	Toyota Highlander Except w/Full Size 19" Spare Tire	45	25
31	75599	01-06	Acura MDX Except w/Full Size Spare Tire	40	30
		03-08	Honda Pilot		30
51	75600	07-18	BMW X5 Except M Sport Package	41	75

# RECEIVER HITCHES

PC	PART NO.	YEARS	MAKE/MODEL	WGT LBS	IN
52	75601	07-09	Dodge Sprinter 2500 w/Factory Step Bumper Excluding Models w/30-3/8" Frame Width	50	30
		07-09	Dodge Sprinter 3500 w/Factory Step Bumper Excluding Models w/30-3/8" Frame Width		
		07-13	Freightliner Sprinter 2500 w/Factory Step Bumper Excluding Models w/30-3/8" Frame Width		
		07-13	Freightliner Sprinter 3500 w/Factory Step Bumper Excluding Models w/30-3/8" Frame Width		
		10-20	Mercedes-Benz Sprinter 2500 w/Factory Step Bumper Excluding Models w/30-3/8" Frame Width		
		10-20	Mercedes-Benz Sprinter 3500 w/Factory Step Bumper Excluding Models w/30-3/8" Frame Width		
		07-18	Mercedes-Benz Sprinter w/Factory Step Bumper Excluding Models w/30-3/8" Frame Width		
23	75607	04-12	Chevrolet Colorado	33	25
		04-12	GMC Canyon		
		06	Isuzu i-280		
		07-08	Isuzu i-290		
		06	Isuzu i-350		
07-08	Isuzu i-370				
47	75614	07-13	Acura MDX Except w/Full Size Spare Tire or w/Rear Sport Bumper Option	29	35
35	75644	08-14	Nissan Armada	39	15
30	75647	09-14	Nissan Murano Except w/Aero Kit & CrossCabriolet	28	35
29	75648	09-10	Dodge Journey	28	25
		12-20	Dodge Journey Except w/LED Taillights		
		11-20	Dodge Journey w/LED Taillights		
19	75649t	08-20	Toyota Sequoia	21	40
27	75650	09-13	Subaru Forester	36	35
10	75658	09-17	Volkswagen Tiguan	9	20
40	75659	03-04	Honda Element	23	30
		05-11	Honda Element Except SC		
		05-10	Honda Element SC		
11	75662	06-10	Dodge Ram 1500	16	20
		03	Dodge Ram 1500 (Built After 11/2002)		
		04-05	Dodge Ram 1500 Except Daytona/Hemi Sport Quad Cab/Ram Rumble Bee/SRT-10		
		03-09	Dodge Ram 2500		
		03-09	Dodge Ram 3500		
		11-18	RAM 1500		
		19	RAM 1500 (Classic)		
38	75663	09-16	Toyota Venza	39	20
45	75670	10-19	Ford Taurus 4 Dr. Sedan	42	30
33	75671	10-17	Volvo XC60	32	45
30	75673	10-19	Subaru Legacy Sedan	37	45
		10-19	Subaru Outback Wagon, Except Sport		
29	75676	10-15	Lexus RX350 Except F Sport	30	30
		10-15	Lexus RX450h Hybrid		
33	75678	10-13	Ford Transit Connect	30	20
45	75679	09-20	Ford Flex	37	30
		10-20	Lincoln MKT		
28	75682	10-16	Cadillac SRX	22	15
25	75684	10-12	Hyundai Santa Fe	46	15
		11-13	KIA Sorento Base I4		
		11-13	KIA Sorento EX I4		
		11-13	KIA Sorento EX V6, Except w/Factory Tow Package		
		11-13	KIA Sorento EX V6, w/Factory Tow Package		
		11-13	KIA Sorento LX I4		
		11-13	KIA Sorento LX V6		
		11-13	KIA Sorento SX V6		
		21	75685		
37	75686	09-10	Ford Edge Sport	29	45
23	75688	08-14	Land Rover LR2	24	20
33	75690	02-06	Honda CR-V	37	30
19	75691	09-14	Ford F-150	37	20
21	75699	11-13	Jeep Grand Cherokee Except w/OEM Tow Hook	32	20
		14-21	Jeep Grand Cherokee Except w/OEM Tow Hook or ECODiesel Engine		
		11-13	Jeep Grand Cherokee w/OEM Tow Hook		
		14-21	Jeep Grand Cherokee w/OEM Tow Hook, Except w/ECODiesel Engine		
19	75703	75-83	Ford E-100 Econoline	33	20
		75-14	Ford E-150 Econoline		
		75-14	Ford E-250 Econoline		
		75-02	Ford E-350 Econoline		
		03-14	Ford E-350 Econoline Super Duty		
43	75707	11-14	Chevrolet Silverado 2500 HD	51	20

PC	PART NO.	YEARS	MAKE/MODEL	WGT LBS	IN
43	75707	11-14	Chevrolet Silverado 3500 HD	51	20
		11-14	GMC Sierra 2500 HD		
		11-14	GMC Sierra 3500 HD		
23	75712	07-10	Jeep Compass	29	15
		11-17	Jeep Compass (Old Body Style)		
		07-10	Jeep Compass Rallye Edition		
		07-17	Jeep Patriot		
		07-17	Jeep Patriot		
25	75713	11-21	Dodge Durango	31	20
		14-20	Jeep Grand Cherokee EcoDiesel		
51	75714	11-16	Nissan Quest	46	35
28	75715	13-20	Nissan NV1500	42	20
		12-20	Nissan NV2500		
		12-20	Nissan NV3500		
35	75716	11-14	Subaru Tribeca	35	30
23	75717	10-15	Hyundai Tucson	32	20
		11-16	KIA Sportage		
29	75725	02	Cadillac Escalade	39	15
		02	Cadillac Escalade EXT		
		02-06	Chevrolet Avalanche 1500		
		02	Chevrolet Avalanche 2500		
		00-06	Chevrolet Suburban 1500 w/Amber Turn Signals		
		00-06	Chevrolet Suburban 2500 w/Amber Turn Signals		
		00-06	Chevrolet Tahoe w/Amber Turn Signals		
		01-02	GMC Yukon Denali w/Amber Turn Signals		
		00-06	GMC Yukon w/Amber Turn Signals		
		00-06	GMC Yukon XL 1500		
01-02	GMC Yukon XL 1500 Denali				
00-06	GMC Yukon XL 2500				
45	75726	08-13	Toyota Highlander	48	40
35	75728	11-14	Ford Edge Sport	34	45
53	75730	08-14	Toyota Hilux	44	60
27	75740	97-03	Ford F-150 Flareside	37	20
		04	Ford F-150 Heritage Flareside		
		04	Ford F-150 Heritage Styleside		
		97-03	Ford F-150 Styleside		
		00-03	Ford F-150 SuperCrew		
		97-99	Ford F-250 Styleside		
		99-07	Ford F-250 Super Duty Except Cab & Chassis		
99-07	Ford F-350 Super Duty Except Cab & Chassis				
38	75741	04-10	Infiniti QX56	35	15
		05-07	Nissan Armada		
		04	Nissan Pathfinder Armada		
16	75742	12-16	Honda CR-V	28	40
35	75748t	13-15	Mazda CX-5	39	40
34	75751	05-12	Ford Escape	35	25
		05-11	Mazda Tribute		
		05-11	Mercury Mariner		
40	75758	13-19	Ford Escape	41	15
33	75761	13-15	BMW X1 w/Panoramic Moonroof	31	60
28	75772	13-18	Hyundai Santa Fe Sport (5 Passenger)	37	30
		14-15	KIA Sorento w/ I4 Engine		
		14-15	KIA Sorento w/ V6 Engine		
56	75774	10-15	Mercedes-Benz GLK350	37	20
33	75776	13-18	Hyundai Santa Fe (6/7 Passenger)	32	30
38	75778	09-12	Infiniti FX35	40	40
		13	Infiniti FX37		
		09-13	Infiniti FX50		
		14-20	Infiniti QX70		
43	75782	13-19	Ford Escape	36	60
19	75784	10-18	Acura RDX	28	30
54	75790	13-16	Ford Ranger	25	30
38	75791	16-20	Toyota Hilux	46	45
51	75792	13	Isuzu D-Max	33	20
59	75808t	13	Volkswagen Amarok (International Only)	36	30
51	75810f	13	Chevrolet S10	42	30
28	75836	16-21	Hyundai Tucson	28	30
		16-21	Hyundai Tucson		
35	75838	14-18	Jeep Cherokee Trailhawk	38	30
32	75852	14-21	Ford Transit Connect	34	15
33	75866	14-18	Chevrolet Silverado 1500 LD (Old Body Style)	47	20
		14-19	GMC Sierra 1500 LD (Old Body Style)		
54	75874t	12-20	Mercedes-Benz ML350 Except BlueTEC & w/Active Curve System	24	30
21	75876	14-18	Subaru Forester	35	25
56	75882	14-20	RAM ProMaster 1500 Except w/Extended Body	51	45
		14-20	RAM ProMaster 2500 Except w/Extended Body		

PC	PART NO.	YEARS	MAKE/MODEL	WGT LBS	IN
56	75882	14-20	RAM ProMaster 3500 Except w/Extended Body	51	45
36	75888	14-20	Mitsubishi Outlander Except Outlander Sport or PHEV	42	30
40	75894	15-21	KIA Sedona	45	20
36	75896	18-20 14-19	Lexus RX350L Toyota Highlander	45	30 30
31	75898	15-20 13-20	Chevrolet City Express Nissan NV200	35	30 30
23	75902	08-13 14-20 14	Nissan Rogue Except Krom Nissan Rogue Except Sport Nissan Rogue Select	32	15 15 15
38	75904	14	Toyota Prado	37	15
42	75906	15-19 15-19 15-19 15-19	Chevrolet Silverado 2500 HD Chevrolet Silverado 3500 HD GMC Sierra 2500 HD GMC Sierra 3500 HD	54	30 30 30 30
36	75908	19-20 16-20 16-20	Hyundai Santa Fe KIA Sorento w/ I4 Engine KIA Sorento w/ V6 Engine	38	40 40 40
27	75912	15-20 15-20 15-20 15-20	Ford Transit-150 Except Cab & Chassis and the Cutaway Ford Transit-250 Except Cab & Chassis and the Cutaway Ford Transit-350 Except Single Rear Wheel w/148" Wheelbase or Cab & Chassis and the Cutaway Ford Transit-350 Single Rear Wheel w/148" Wheelbase, Except Cab & Chassis and the Cutaway	30	25 25 25 25
38	75914	14	Toyota Hilux SW4	39	15
27	75916	11-18 15-17 08-10 08-16	Volvo S60 Sedan Volvo V60 (App. starts with 2015-1/2) Volvo V70 Wagon Volvo XC70	32	70 70 70 70
27	75938	15-20	Ford F-150	36	30
34	75940	11-17 15-20	Audi Q5 Porsche Macan	43	60 60
34	75943	15-19	Lincoln MKC	44	45
34	75948	15-21 15-20	Chevrolet Colorado GMC Canyon	35	35 35
45	75950	07-16 11-18 11-17	Audi Q7 Porsche Cayenne Volkswagen Touareg	51	70 70 70
28	75952	15-20	Nissan Murano	34	15
29	75956	15-20	Lexus NX200t	37	35
20	75992	07-14 07-15	Ford Edge Except Sport Lincoln MKX	30	55 55
30	75998	14-21	Jeep Cherokee	39	60
30	76004	15-21 15-20	Chevrolet Colorado GMC Canyon	46	35 35
32	76015	16-20	Mercedes-Benz Metris	43	20
25	76016	14-18 14-19	Chevrolet Silverado 1500 LD (Old Body Style) GMC Sierra 1500 LD (Old Body Style)	46	25 25
25	76018	16-19	BMW X1	37	40
26	76019	16-20	FIAT 500X	36	30
24	76020	16-20	Mazda CX-9	38	30
26	76021	15-20	Jeep Renegade	37	40
23	76022	17-21	Cadillac XT5 Except Platinum	34	20
24	76023	19-21 17-21	Chevrolet Blazer GMC Acadia	32	90 90
31	76025	11-17	Honda Odyssey	42	80
37	76026	17-20	Jaguar F-Pace	40	90
14	76028	05-17 10-17 06-09 02-07	Chevrolet Equinox GMC Terrain Pontiac Torrent Saturn Vue Except Redline	32	30 30 30 30
25	76031	13 14-21 13-20	Infiniti JX35 Infiniti QX60 Nissan Pathfinder	35	25 25 25
19	76034	11-19	Ford Explorer	29	45
28	76046	17-20 17-20 17-20 17-20 17-20 17-20 17-20	Chrysler Pacifica Hybrid (Needs Conversion Kit: 76046SK) Chrysler Pacifica Limited Chrysler Pacifica LX Chrysler Pacifica Touring Chrysler Pacifica Touring L Chrysler Pacifica Touring L Plus Chrysler Pacifica Touring Plus	44	45 45 45 45 45 45 45
25	76050	14-21	RAM ProMaster 1500 All Models	32	45

PC	PART NO.	YEARS	MAKE/MODEL	WGT LBS	IN
25	76050	14-21	RAM ProMaster 2500 All Models	32	45
29	76074	17-21	KIA Sportage Except SX & SX Turbo	36	25
34	76076	17-20	Audi Q7	40	60
38	76078	16-20	Nissan NP300 Navara International Only	40	30
24	76080	16-18	Buick Envision	28	45
27	76082	16-20 16-20	Mercedes-Benz GLC300 SUV, Except P03 Premium Package Mercedes-Benz GLC300 SUV, with P03 Premium Package	37	65 65
24	76084	16-17 16-17 13-15	Subaru Crosstrek Except Hybrid Subaru Crosstrek Hybrid Subaru XV Crosstrek Except Hybrid	36	20 20 20
25	76098	11-20 11-20	Mitsubishi Outlander Sport Except PHEV Mitsubishi RVR (Canada Only)	34	20 30
11	76104	07-17 18 18 18-21 07-17	Jeep Wrangler Except w/Right Hand Drive Jeep Wrangler JK Except w/Right Hand Drive Jeep Wrangler JK Right Hand Drive Jeep Wrangler JL (New Body Style), Except Diesel Jeep Wrangler Right Hand Drive	16	20 20 20 20 20
32	76112	11-14 15-20 15-20	Toyota Sienna Toyota Sienna Except SE Toyota Sienna SE	42	60 60 60
33	76114	15-20 15-20	Mitsubishi L200 w/Factory Step Bumper Mitsubishi Triton w/Factory Step Bumper	36	45 45
25	76116	14-17	Volvo XC60	30	30
16	76128	17-20	Honda CR-V Except Hybrid	28	20
26	76134	13-18 13-18	Toyota RAV4 Toyota RAV4	38	20 45
29	76136	15-20	Ford F-150	41	30
24	76138	13-16 17-20	Mazda CX-5 Mazda CX-5 Except Diesel	33	20 20
52	76141	16-19 12-20	Mercedes-Benz GLE350 Except w/Active Curve System Mercedes-Benz ML350 Except w/Active Curve System	43	40 40
40	76143	16-20	Tesla X	41	75
26	76144	17-21	Jeep Compass (New Body Style)	30	40
23	76145	05-20 05-20 08-20 06-20 05-08	Chrysler 300 Chrysler 300 Dodge Challenger Except Models w/Quad Tip Exhaust Dodge Charger Dodge Magnum	35	40 30 30 30 30
40	76154	17-21 17-21	Nissan Titan Except Titan XD or Models w/ Factory 7-Way Wiring Nissan Titan w/ Factory 7-Way Wiring Except Titan XD	43	30 30
42	76156	18-20 14-19	Lexus RX350L Toyota Highlander	46	30 45
32	76170	18-21 18-21	Honda Odyssey With Fuse Provisions Honda Odyssey Without Fuse Provisions	46	80 80
27	76171	18-21 18-21	Honda Odyssey With Fuse Provisions Honda Odyssey Without Fuse Provisions	45	25 25
31	76176	18-21	Volkswagen Atlas Except Cross Sport	53	25
26	76177	17-20 17-20	Nissan Qashqai Nissan Rogue Sport	36	45 45
34	76182	14-18	Subaru Forester	35	60
34	76183	18-20 18-20	Audi Q5 Audi SQ5	31	90 90
30	76184	18-21 18-20	Buick Enclave Chevrolet Traverse	42	75 75
26	76192	18-20 18-20	Volkswagen Tiguan 4 Motion Volkswagen Tiguan Except 4 Motion	37	40 40
30	76194	18-20 16-21	Volvo XC60 Volvo XC90	35	65 65
31	76196	11-21	Dodge Durango	31	90
47	76199	18-20	Alfa Romeo Stelvio Except Quadrifoglio	35	80
35	76200	18-20	BMW X2	29	80
29	76201	19-21	Toyota RAV4	43	35
26	76209	18-21 18-21 18-20	Subaru Crosstrek Except Hybrid Subaru Crosstrek Hybrid Subaru Impreza 5 Dr. Wagon, Except WRX STI & w/Quad Exhaust Outlets	36	60 60 60
28	76217	18-19 18-20	Chevrolet Equinox Diesel GMC Terrain Diesel	34	70 70
33	76225	09-10 12-20 11-20	Dodge Journey Dodge Journey Except w/LED Taillights Dodge Journey w/LED Taillights	42	90 90 90
36	76226	11-21	BMW X3	27	75
35	76227	10-19	Subaru Outback Wagon, Except Sport	35	45

# RECEIVER HITCHES

PC	PART NO.	YEARS	MAKE/MODEL	WGT LBS	IN
35	76240	19-20	Infiniti QX50	25	20
40	76244	18-20	Mitsubishi Eclipse Cross	34	20
28	76245	19-20	Volvo XC40	23	70
35	76253	19-21	Subaru Ascent	35	60
42	76260	18-20	Land Rover Range Rover Velar	27	80
22	76266	19-21	Cadillac XT4	28	80
19	76268	19-21	Acura RDX With +12V Power Provision	28	25
		19-21	Acura RDX Without +12V Power Provision		25
21	76271	19-21	Subaru Forester	32	30
18	76275	19-20	Ford Ranger	37	20
51	76288	19-20	BMW X5 Except M Sport Package	39	90
41	76290	19-21	Honda Passport	42	20
24	76300	19	Buick Envision	23	25
38	76310	20-21	Jeep Gladiator Except Rubicon	40	30
28	76320	20-21	Ford Explorer	48	40
50	76322	19-20	Mazda CX-5 Diesel	46	30
34	76326	19-21	Chevrolet Silverado 1500	53	60
		19-21	GMC Sierra 1500		60
40	76327	20	Ford Escape Except Hybrid	31	30
11	76328	19-21	RAM 1500	8	15
33	76330	18-20	Jaguar E-Pace	20	90
30	76332	20	Subaru Legacy Sedan	35	40
		20	Subaru Outback Wagon		40
35	76333	20	Subaru Outback Wagon	29	40
42	76336	18-20	Lexus RX350L	49	45
		14-20	Toyota Highlander		45
45	76338	20	Porsche Cayenne Coupe	38	75
23	76419	18-21	Chevrolet Equinox Except Premier or Models w/1.6L Diesel	42	35
		18-21	Chevrolet Equinox Premier, Except Models w/1.6L Diesel		35
		18-21	GMC Terrain Except Diesel		35
38	76420	20-21	Hyundai Palisade	46	30
		20-21	KIA Telluride		30
42	76424	20	Ford Escape	30	50
	76902	10-20	Acura RDX	27	30
	76903	07-18	BMW X5 Except M Sport Package		90
	76904	14-20	Infiniti QX60	24	
		13-20	Nissan Pathfinder		
	76905	16-20	Lexus RX350		20
	76906	11-20	BMW X3	27	90
	76907	10-19	Subaru Outback Wagon, Except Sport	21	45
	76908	19-20	BMW X5 Except M Sport Package		90
	76910	20	Ford Explorer	40	
	76911	18-20	Audi Q5	27	90
	76912	19-20	Toyota RAV4		90
	76913	11-20	Jeep Grand Cherokee	25	20
<b>CLASS III/IV: MULTI-FIT</b>					
54	37130	88-99	Chevrolet C1500	62	40
		92-00	Chevrolet C2500 Crew Cab		40
		88-99	Chevrolet C2500 Regular & Extended Cabs		40
		92-00	Chevrolet C3500 Crew Cab		40
		88-00	Chevrolet C3500 Regular & Extended Cabs		40
		88-99	Chevrolet K1500		40
		92-00	Chevrolet K2500 Crew Cab		40
		88-99	Chevrolet K2500 Regular & Extended Cabs		40
		92-00	Chevrolet K3500 Crew Cab		40
		88-00	Chevrolet K3500 Regular & Extended Cabs		40
		99-02	Chevrolet Silverado 1500		25
		03-06	Chevrolet Silverado 1500 (Classic)		25
		01-03	Chevrolet Silverado 1500 HD		25
		05-07	Chevrolet Silverado 1500 HD (Classic)		25
		99-04	Chevrolet Silverado 2500		25
		71-89	Dodge D100		25
		77-93	Dodge D150		25
		71-80	Dodge D200		25
		81-93	Dodge D250		25
		71-80	Dodge D300		25
		86-93	Dodge D350		25
		94-01	Dodge Ram 1500		40
		94-02	Dodge Ram 2500		40
		94-02	Dodge Ram 3500		40
		71-89	Dodge W100		25
		77-93	Dodge W150		25
		71-80	Dodge W200		25
		81-85	Dodge W250		25
		71-80	Dodge W300		25

PC	PART NO.	YEARS	MAKE/MODEL	WGT LBS	IN
54	37130	81-93	Dodge W350	62	25
		75-79	Ford F-100		35
		80-83	Ford F-100 Except w/Custom Fascia		35
		75-96	Ford F-150		35
		80-86	Ford F-150 Except w/Custom Fascia		35
		97-03	Ford F-150 Flareside		25
		04	Ford F-150 Heritage Flareside		25
		04	Ford F-150 Heritage Styleside		25
		97-03	Ford F-150 Styleside		25
		00-03	Ford F-150 SuperCrew		25
		75-96	Ford F-250		35
		80-86	Ford F-250 Except w/Custom Fascia		35
		97	Ford F-250 Heavy Duty		35
		97-99	Ford F-250 Styleside		25
		99-04	Ford F-250 Super Duty Except Cab & Chassis		30
		75-96	Ford F-350		35
		80-86	Ford F-350 Except w/Custom Fascia		35
		97	Ford F-350 Heavy Duty		35
		99-04	Ford F-350 Super Duty Except Cab & Chassis		30
		88-99	GMC C1500		40
		88-00	GMC C2500		40
		88-00	GMC C3500		40
		88-99	GMC K1500		40
		88-00	GMC K2500		40
		88-00	GMC K3500		40
		99-02	GMC Sierra 1500		25
		03-07	GMC Sierra 1500 (Classic)		25
		01-03	GMC Sierra 1500 HD		25
		05-07	GMC Sierra 1500 HD (Classic)		25
		99-04	GMC Sierra 2500		25
		00-06	Toyota Tundra		30
49	37133	88-99	Chevrolet C1500	57	40
		92-00	Chevrolet C2500 Crew Cab		40
		88-99	Chevrolet C2500 Regular & Extended Cabs		40
		92-00	Chevrolet C3500 Crew Cab		40
		88-00	Chevrolet C3500 Regular & Extended Cabs		40
		88-99	Chevrolet K1500		40
		92-00	Chevrolet K2500 Crew Cab		40
		88-99	Chevrolet K2500 Regular & Extended Cabs		40
		92-00	Chevrolet K3500 Crew Cab		40
		88-00	Chevrolet K3500 Regular & Extended Cabs		40
		99-02	Chevrolet Silverado 1500		25
		03-06	Chevrolet Silverado 1500 (Classic)		25
		01-03	Chevrolet Silverado 1500 HD		25
		05-07	Chevrolet Silverado 1500 HD (Classic)		25
		99-04	Chevrolet Silverado 2500		25
		71-89	Dodge D100		25
		77-93	Dodge D150		25
		71-80	Dodge D200		25
		81-93	Dodge D250		25
		71-80	Dodge D300		25
		81-93	Dodge D350		25
		94-01	Dodge Ram 1500		40
		94-02	Dodge Ram 2500		40
		94-02	Dodge Ram 3500		40
		71-89	Dodge W100		25
		77-93	Dodge W150		25
		71-80	Dodge W200		25
		81-93	Dodge W250		25
		71-80	Dodge W300		25
		81-93	Dodge W350		25
		75-79	Ford F-100		35
		80-83	Ford F-100 Except w/Custom Fascia		35
		75-05	Ford F-150		45
		75-05	Ford F-150		35
		80-86	Ford F-150 Except w/Custom Fascia		35
		97-03	Ford F-150 Flareside		25
		04	Ford F-150 Heritage Flareside		25
		04	Ford F-150 Heritage Styleside		25
		97-03	Ford F-150 Styleside		25
		00-03	Ford F-150 SuperCrew		25
		75-96	Ford F-250		35
		80-86	Ford F-250 Except w/Custom Fascia		35
		97	Ford F-250 Heavy Duty		35
		97-99	Ford F-250 Styleside		25
		99-04	Ford F-250 Super Duty Except Cab & Chassis		30
		75-96	Ford F-350		35

PC	PART NO.	YEARS	MAKE/MODEL	WGT LBS	IN				
49	37133	80-86	Ford F-350 Except w/Custom Fascia	57	35				
		97	Ford F-350 Heavy Duty						
		99-04	Ford F-350 Super Duty Except Cab & Chassis						
		88-99	GMC C1500						
		88-00	GMC C2500						
		88-00	GMC C3500						
		88-99	GMC K1500						
		88-00	GMC K2500						
		88-00	GMC K3500						
		99-02	GMC Sierra 1500						
		03-07	GMC Sierra 1500 (Classic)						
		01-03	GMC Sierra 1500 HD						
		05-07	GMC Sierra 1500 HD (Classic)						
		99-04	GMC Sierra 2500						
		00-06	Toyota Tundra						
		50	37136			90-05	Chevrolet Astro Extended Body	60	65
						92-94	Chevrolet Blazer Full Size		
						96-14	Chevrolet Express 1500		
						96-21	Chevrolet Express 2500		
						96-21	Chevrolet Express 3500		
						98-04	Chevrolet S10		
						83-97	Chevrolet S10 w/Standard Bed & Step Bumper		
						00-06	Chevrolet Suburban 1500 w/Amber Turn Signals		
						00-06	Chevrolet Suburban 2500 w/Amber Turn Signals		
92-99	Chevrolet Suburban C1500								
92-99	Chevrolet Suburban C2500								
92-99	Chevrolet Suburban K1500								
92-99	Chevrolet Suburban K2500								
95-00	Chevrolet Tahoe								
00-06	Chevrolet Tahoe w/Amber Turn Signals								
96-03	Chrysler Town & Country								
90-95	Chrysler Town & Country 2 WD Long Wheelbase								
04-07	Chrysler Town & Country Except w/Stow & Go Seats								
01-03	Chrysler Voyager								
96-03	Dodge Caravan								
91-95	Dodge Caravan C/V Short Wheelbase, 2 WD								
04-07	Dodge Caravan Except w/Stow & Go Seats								
84-95	Dodge Caravan Short Wheelbase, 2 WD								
87-01	Dodge Dakota								
02-04	Dodge Dakota Except Quad Cab								
96-03	Dodge Grand Caravan								
04-07	Dodge Grand Caravan Except w/Stow & Go Seats								
87-93	Dodge Grand Caravan Long Wheelbase, 2 WD								
94-95	Dodge Grand Caravan Long Wheelbase, 2 WD, Except LE								
82-93	Dodge Ramcharger								
86-97	Ford Aerostar Extended Body								
82-96	Ford Bronco								
84-90	Ford Bronco II								
01-04	Ford Escape								
98-11	Ford Ranger Except Flareside or w/Rear Fascia								
83-97	Ford Ranger Except w/Rear Fascia								
03	Ford Windstar (Built After 11/2002)								
99-03	Ford Windstar (Built Before 11/2002)								
83-90	GMC S15 w/Standard Bed & Step Bumper								
90-05	GMC Safari Extended Body								
96-14	GMC Savana 1500								
96-21	GMC Savana 2500								
96-21	GMC Savana 3500								
98-04	GMC Sonoma								
92-99	GMC Suburban C1500								
92-99	GMC Suburban C2500								
92-99	GMC Suburban K1500								
92-99	GMC Suburban K2500								
92-00	GMC Yukon								
99-00	GMC Yukon Denali								
01-02	GMC Yukon Denali w/Amber Turn Signals								
00-06	GMC Yukon w/Amber Turn Signals								
00-06	GMC Yukon XL 1500								
01-02	GMC Yukon XL 1500 Denali								
00-06	GMC Yukon XL 2500								
98-00	Isuzu Hombre w/Step Bumper								
84-01	Jeep Cherokee								
84-01	Jeep Cherokee								
93-98	Jeep Grand Cherokee								
02-07	Jeep Liberty								
90-93	Mazda B2200								

PC	PART NO.	YEARS	MAKE/MODEL	WGT LBS	IN				
50	37136	94-09	Mazda B2300	60	40				
		98-01	Mazda B2500						
		90-93	Mazda B2600						
		94-08	Mazda B3000						
		94-09	Mazda B4000						
		01-04	Mazda Tribute						
		88-94	Nissan D21						
		86-87	Nissan D21 (App. starts with 86-1/2)						
		98-04	Nissan Frontier						
		95-97	Nissan Pickup						
		87-00	Plymouth Grand Voyager						
		87-00	Plymouth Grand Voyager						
		91-95	Plymouth Grand Voyager Long Wheelbase, 2 WD						
		84-00	Plymouth Voyager						
		84-00	Plymouth Voyager						
		37	40050			63-86	Chevrolet C10	57	40
						88-99	Chevrolet C1500		
						63-86	Chevrolet C20		
						92-00	Chevrolet C2500 Crew Cab		
						88-99	Chevrolet C2500 Regular & Extended Cabs		
						63-86	Chevrolet C30		
						88-00	Chevrolet C3500 Regular & Extended Cabs		
						68-89	Dodge D100		
						77-93	Dodge D150		
						68-80	Dodge D200		
						81-93	Dodge D250		
						68-80	Dodge D300		
						81-93	Dodge D350		
						94-01	Dodge Ram 1500		
						94-02	Dodge Ram 2500		
						94-02	Dodge Ram 3500		
						74-88	Dodge Ramcharger Except w/Skid Shield		
						67-77	Dodge W100		
						77-93	Dodge W150		
						67-80	Dodge W200		
						81-93	Dodge W250		
						67-80	Dodge W300		
						81-93	Dodge W350		
						78-96	Ford Bronco		
						89-97	Ford F Super Duty Cab & Chassis, w/34" Wide Frames & 161" Wheelbase		
63-79	Ford F-100								
80-83	Ford F-100 Except w/Custom Fascia								
75-96	Ford F-150								
80-86	Ford F-150 Except w/Custom Fascia								
63-96	Ford F-250								
80-86	Ford F-250 Except w/Custom Fascia								
97	Ford F-250 Heavy Duty								
63-96	Ford F-350								
80-86	Ford F-350 Except w/Custom Fascia								
97	Ford F-350 Heavy Duty								
99-00	Ford F-350 Super Duty Cab & Chassis, w/34" Wide Frames								
63-65	GMC 1000 Series								
63-65	GMC 1500 Series								
63-65	GMC 2500 Series								
63-66	GMC 3000								
63-66	GMC 3500								
75-78	GMC C15								
67-74	GMC C15/C1500								
79-99	GMC C1500								
67-78	GMC C25								
79-00	GMC C2500								
67-78	GMC C35								
79-00	GMC C3500								
74-81	Plymouth Trailduster Except w/Skid Shield								
<b>CLASS V: 2" RECEIVER</b>									
45	41901	88-99	Chevrolet C1500	73	30				
		92-00	Chevrolet C2500 Crew Cab						
		88-00	Chevrolet C2500 Regular & Extended Cabs						
		92-00	Chevrolet C3500 Crew Cab						
		88-00	Chevrolet C3500 Regular & Extended Cabs						
		88-99	Chevrolet K1500						
		92-00	Chevrolet K2500 Crew Cab						
		88-00	Chevrolet K2500 Regular & Extended Cabs						
		92-00	Chevrolet K3500 Crew Cab						
		88-00	Chevrolet K3500 Regular & Extended Cabs						

# RECEIVER HITCHES

PC	PART NO.	YEARS	MAKE/MODEL	WGT LBS	IN				
45	41901	88-99	GMC C1500	73	30				
		88-00	GMC C2500						
		88-00	GMC C3500						
		88-99	GMC K1500						
		88-00	GMC K2500						
		88-00	GMC K3500						
45	41902	68-89	Dodge D100	72	40				
		77-93	Dodge D150						
		68-80	Dodge D200						
		81-93	Dodge D250						
		71-80	Dodge D300						
		81-93	Dodge D350						
		67-89	Dodge W100						
		77-93	Dodge W150						
		67-80	Dodge W200						
		81-93	Dodge W250						
		67-80	Dodge W300						
		81-93	Dodge W350						
		42	41904			80-83	Ford F-100 Except w/Custom Fascia	75	30
						87-96	Ford F-150		
80-86	Ford F-150 Except w/Custom Fascia								
87-96	Ford F-250								
80-86	Ford F-250 Except w/Custom Fascia								
97	Ford F-250 Heavy Duty								
87-96	Ford F-350								
80-86	Ford F-350 Except w/Custom Fascia								
97	Ford F-350 Heavy Duty								
37	41906			92-14	Ford E-150 Econoline	56	30		
		92-14	Ford E-250 Econoline						
		92-02	Ford E-350 Econoline						
		03-14	Ford E-350 Econoline Super Duty						
59	41913	19-21	RAM 1500 (New Body Style)	85	60				
45	41920	97-03	Ford F-150 Flareside	70	30				
		04	Ford F-150 Heritage Flareside						
		04	Ford F-150 Heritage Styleside						
		97-03	Ford F-150 Styleside						
		00-03	Ford F-150 SuperCrew						
		97-99	Ford F-250 Styleside						
51	41922	99-04	Ford F-250 Super Duty Except Cab & Chassis	58	15				
		99-04	Ford F-350 Super Duty Except Cab & Chassis						
45	41923	94-01	Dodge Ram 1500	69	35				
		94-02	Dodge Ram 2500						
		94-02	Dodge Ram 3500						
35	41926	00-14	Ford E-150 Econoline	51	30				
		00-14	Ford E-250 Econoline						
		00-02	Ford E-350 Econoline						
		03-14	Ford E-350 Econoline Super Duty						
37	41929	06-08	Dodge Ram 1500	70	35				
		03	Dodge Ram 1500 (Built After 11/2002)						
		04-05	Dodge Ram 1500 Except Daytona/Hemi Sport Quad Cab/Ram Rumble Bee/SRT-10						
		03-10	Dodge Ram 2500						
		03-10	Dodge Ram 3500						
		11-21	RAM 2500						
		11-21	RAM 3500						
		30	41930			00-06	Chevrolet Suburban 1500 w/Amber Turn Signals	59	35
00-06	Chevrolet Suburban 2500 w/Amber Turn Signals								
00-06	GMC Yukon XL 1500								
01-02	GMC Yukon XL 1500 Denali								
00-06	GMC Yukon XL 2500								
00-06	GMC Yukon XL 2500								
55	41931	99-21	Ford F-250 Super Duty Except Cab & Chassis	73	30				
		99-21	Ford F-350 Super Duty Except Cab & Chassis						
50	41932	99-02	Chevrolet Silverado 1500	73	20				
		03-07	Chevrolet Silverado 1500 (Classic)						
		01-03	Chevrolet Silverado 1500 HD						
		05-07	Chevrolet Silverado 1500 HD (Classic)						
		99-04	Chevrolet Silverado 2500						
		99-02	GMC Sierra 1500						
		03-07	GMC Sierra 1500 (Classic)						
		01-03	GMC Sierra 1500 HD						
		05-07	GMC Sierra 1500 HD (Classic)						
99-04	GMC Sierra 2500								
40	41933	06-08	Ford F-150	67	20				
		06-08	Lincoln Mark LT (Built After 8/2005)						
67	41935	07-21	Toyota Tundra (See Footnote CP)	84	30				
29	41936	01-07	Chevrolet Silverado 3500 Cab & Chassis, w/34" Wide Frames (Classic)	55	30				

PC	PART NO.	YEARS	MAKE/MODEL	WGT LBS	IN				
29	41936	07-20	Chevrolet Silverado 3500 HD Cab & Chassis, w/34" Wide Frames	55	30				
		07-10	Dodge Ram 3500 Cab & Chassis, w/34" Wide Frames						
		08-10	Dodge Ram 4500 Cab & Chassis, w/34" Wide Frames						
		08-10	Dodge Ram 5500 Cab & Chassis, w/34" Wide Frames						
		01-07	GMC Sierra 3500 Cab & Chassis, w/34" Wide Frames (Classic)						
		07-20	GMC Sierra 3500 HD Cab & Chassis, w/34" Wide Frames						
		11-12	RAM 3500 Cab & Chassis, w/34" Wide Frames						
		11-12	RAM 4500 Cab & Chassis, w/34" Wide Frames						
		11-12	RAM 5500 Cab & Chassis, w/34" Wide Frames						
		08-09	Sterling Truck Bullet 45 w/34" Wide Frames						
		08-09	Sterling Truck Bullet 55 w/34" Wide Frames						
		50	41938			63-84	Chevrolet C10	73	40
						85-86	Chevrolet C10 w/34" Wide Frames		
						63-84	Chevrolet C20		
85-86	Chevrolet C20 w/34" Wide Frames								
88-91	Chevrolet C2500 Crew Cab								
63-84	Chevrolet C30								
85-86	Chevrolet C30 w/34" Wide Frames								
88-91	Chevrolet C3500 Crew Cab								
63-84	Chevrolet K10								
85-86	Chevrolet K10 w/34" Wide Frames								
63-84	Chevrolet K20								
85-86	Chevrolet K20 w/34" Wide Frames								
88-91	Chevrolet K2500 Crew Cab								
73-84	Chevrolet K30								
85-86	Chevrolet K30 w/34" Wide Frames								
88-91	Chevrolet K3500 Crew Cab								
01-07	Chevrolet Silverado 3500 Cab & Chassis, w/34" Wide Frames (Classic)								
07-20	Chevrolet Silverado 3500 HD Cab & Chassis, w/34" Wide Frames								
99-00	Ford F-350 Super Duty Cab & Chassis, w/34" Wide Frames								
63-65	GMC 1000 Series								
63-65	GMC 1500 Series								
63-65	GMC 2500 Series								
63-66	GMC 3000								
63-66	GMC 3500								
75-78	GMC C15								
67-74	GMC C15/C1500								
79-84	GMC C1500								
85-99	GMC C1500 w/34" Wide Frames								
67-78	GMC C25								
79-84	GMC C2500								
85-00	GMC C2500 w/34" Wide Frames								
67-78	GMC C35								
79-84	GMC C3500								
85-00	GMC C3500 w/34" Wide Frames								
67-78	GMC K15								
79-84	GMC K1500								
85-99	GMC K1500 w/34" Wide Frames								
67-78	GMC K25								
79-84	GMC K2500								
85-00	GMC K2500 w/34" Wide Frames								
68-78	GMC K35								
79-84	GMC K3500								
85-00	GMC K3500 w/34" Wide Frames								
01-07	GMC Sierra 3500 Cab & Chassis, w/34" Wide Frames (Classic)								
07-20	GMC Sierra 3500 HD Cab & Chassis, w/34" Wide Frames								
50	41942	11-14	Chevrolet Silverado 2500 HD	67	20				
		11-14	Chevrolet Silverado 3500 HD						
		11-14	GMC Sierra 2500 HD						
		11-14	GMC Sierra 3500 HD						
70	41943	99-19	Ford F-350 Super Duty Cab & Chassis, w/34" Wide Frames	90	40				
		99-19	Ford F-450 Super Duty Cab & Chassis, w/34" Wide Frames						
		99-19	Ford F-550 Super Duty Cab & Chassis, w/34" Wide Frames						
37	41944	01-10	Chevrolet Silverado 2500 HD	68	25				
		03-07	Chevrolet Silverado 2500 HD (Classic)						
		01-02	Chevrolet Silverado 3500						

PC	PART NO.	YEARS	MAKE/MODEL	WGT LBS	IN
37	41944	03-07	Chevrolet Silverado 3500 (Classic)	68	25
		07-10	Chevrolet Silverado 3500 HD		
		01-10	GMC Sierra 2500 HD		
		03-07	GMC Sierra 2500 HD (Classic)		
		01-02	GMC Sierra 3500		
		03-07	GMC Sierra 3500 (Classic)		
		07-10	GMC Sierra 3500 HD		
41	41945	00-14	Ford E-150 Econoline	44	30
		00-14	Ford E-250 Econoline		
		00-02	Ford E-350 Econoline		
		03-14	Ford E-350 Econoline Super Duty		
42	41946	96-14	Chevrolet Express 1500	54	35
		96-21	Chevrolet Express 2500		
		96-21	Chevrolet Express 3500		
		96-14	GMC Savana 1500		
		96-21	GMC Savana 2500		
		96-21	GMC Savana 3500		
55	41947	63-84	Chevrolet C10	80	35
		85-86	Chevrolet C10 w/34" Wide Frames		
		63-84	Chevrolet C20		
		85-86	Chevrolet C20 w/34" Wide Frames		
		88-91	Chevrolet C2500 Crew Cab		
		63-84	Chevrolet C30		
		85-86	Chevrolet C30 w/34" Wide Frames		
		88-91	Chevrolet C3500 Crew Cab		
		63-84	Chevrolet K10		
		85-86	Chevrolet K10 w/34" Wide Frames		
		63-84	Chevrolet K20		
		85-86	Chevrolet K20 w/34" Wide Frames		
		88-91	Chevrolet K2500 Crew Cab		
		73-84	Chevrolet K30		
		85-86	Chevrolet K30 w/34" Wide Frames		
		88-91	Chevrolet K3500 Crew Cab		
		03-09	Chevrolet Kodiak C4500 Cab & Chassis, w/34" Wide Frames		
		03-09	Chevrolet Kodiak C5500 Cab & Chassis, w/34" Wide Frames		
		99-09	Chevrolet Kodiak C6500 Cab & Chassis, w/34" Wide Frames		
		99-09	Chevrolet Kodiak C7500 Cab & Chassis, w/34" Wide Frames		
		99-09	Chevrolet Kodiak C8500 Cab & Chassis, w/34" Wide Frames		
		01-07	Chevrolet Silverado 3500 Cab & Chassis, w/34" Wide Frames (Classic)		
		07-20	Chevrolet Silverado 3500 HD Cab & Chassis, w/34" Wide Frames		
		07-10	Dodge Ram 3500 Cab & Chassis, w/34" Wide Frames		
		08-10	Dodge Ram 4500 Cab & Chassis, w/34" Wide Frames		
		08-10	Dodge Ram 5500 Cab & Chassis, w/34" Wide Frames		
		99-20	Ford F-350 Super Duty Cab & Chassis, w/34" Wide Frames		
		99-19	Ford F-450 Super Duty Cab & Chassis, w/34" Wide Frames		
		99-21	Ford F-550 Super Duty Cab & Chassis, w/34" Wide Frames		
		99-21	Ford F-550 Super Duty Cab & Chassis, w/34" Wide Frames		
		63-65	GMC 1000 Series		
		63-65	GMC 1500 Series		
		63-65	GMC 2500 Series		
		63-66	GMC 3000		
		63-66	GMC 3500		
		75-78	GMC C15		
		67-74	GMC C15/C1500		
		79-84	GMC C1500		
		85-99	GMC C1500 w/34" Wide Frames		
		67-78	GMC C25		
		79-84	GMC C2500		
		85-00	GMC C2500 w/34" Wide Frames		
		67-78	GMC C35		
		79-84	GMC C3500		
		85-00	GMC C3500 w/34" Wide Frames		
		03-09	GMC C4500 Topkick Cab & Chassis, w/34" Wide Frames		
		03-09	GMC C5500 Topkick Cab & Chassis, w/34" Wide Frames		
99-09	GMC C6500 Topkick Cab & Chassis, w/34" Wide Frames				
99-09	GMC C7500 Topkick Cab & Chassis, w/34" Wide Frames				

PC	PART NO.	YEARS	MAKE/MODEL	WGT LBS	IN
55	41947	67-78	GMC K15	80	35
		79-84	GMC K1500		
		85-99	GMC K1500 w/34" Wide Frames		
		67-78	GMC K25		
		79-84	GMC K2500		
		85-00	GMC K2500 w/34" Wide Frames		
		68-78	GMC K35		
		79-84	GMC K3500		
		85-00	GMC K3500 w/34" Wide Frames		
		01-07	GMC Sierra 3500 Cab & Chassis, w/34" Wide Frames (Classic)		
		07-20	GMC Sierra 3500 HD Cab & Chassis, w/34" Wide Frames		
		11-12	RAM 3500 Cab & Chassis, w/34" Wide Frames		
		11-12	RAM 4500 Cab & Chassis, w/34" Wide Frames		
		11-12	RAM 5500 Cab & Chassis, w/34" Wide Frames		
		08-09	Sterling Truck Bullet 45 w/34" Wide Frames		
		08-09	Sterling Truck Bullet 55 w/34" Wide Frames		
		39	41948		
19	RAM 1500 (Classic)				
53	41950	15-19	Chevrolet Silverado 2500 HD	72	60
		15-19	Chevrolet Silverado 3500 HD		
		15-19	GMC Sierra 2500 HD		
		15-19	GMC Sierra 3500 HD		
38	41952	13-18	RAM 4500 Cab & Chassis, w/34" Wide Frames	60	45
		13-18	RAM 5500 Cab & Chassis, w/34" Wide Frames		
<b>CLASS V: 2-1/2" RECEIVER</b>					
51	45502	87-96	Ford F-250	64	45
		80-86	Ford F-250 Except w/Custom Fascia		
		97	Ford F-250 Heavy Duty		
		87-96	Ford F-350		
		80-86	Ford F-350 Except w/Custom Fascia		
		97	Ford F-350 Heavy Duty		
47	45505	71-80	Dodge D200	68	45
		81-93	Dodge D250		
		71-80	Dodge D300		
		86-93	Dodge D350		
		94-98	Dodge Ram 2500		
		94-98	Dodge Ram 3500		
		71-80	Dodge W200		
		81-93	Dodge W250		
		71-80	Dodge W300		
		81-93	Dodge W350		
59	45506	92-00	Chevrolet C2500 Crew Cab	66	45
		88-99	Chevrolet C2500 Regular & Extended Cabs		
		92-00	Chevrolet C3500 Crew Cab		
		88-00	Chevrolet C3500 Regular & Extended Cabs		
		92-00	Chevrolet K2500 Crew Cab		
		88-99	Chevrolet K2500 Regular & Extended Cabs		
		92-00	Chevrolet K3500 Crew Cab		
		88-00	Chevrolet K3500 Regular & Extended Cabs		
		88-00	GMC C2500		
		88-00	GMC C3500		
		88-00	GMC K2500		
		88-00	GMC K3500		
52	45507	96-20	Chevrolet Express 2500	58	45
		96-20	Chevrolet Express 3500		
		96-20	GMC Savana 2500		
		96-20	GMC Savana 3500		
60	45508	99-21	Ford F-250 Super Duty Except Cab & Chassis	92	50
		99-21	Ford F-350 Super Duty Except Cab & Chassis		
		08-21	Ford F-450 Super Duty Except Cab & Chassis		
66	45509	03-10	Dodge Ram 2500	94	95
		03-10	Dodge Ram 3500		
		11-21	RAM 2500		
		11-21	RAM 3500		
67	45510	11-14	Chevrolet Silverado 2500 HD	82	60
		11-14	Chevrolet Silverado 3500 HD		
		11-14	GMC Sierra 2500 HD		
		11-14	GMC Sierra 3500 HD		
57	45511	15-19	Chevrolet Silverado 2500 HD	93	60
		15-19	Chevrolet Silverado 3500 HD		
		15-19	GMC Sierra 2500 HD		
		15-19	GMC Sierra 3500 HD		
		15-19	GMC Sierra 3500 HD		
58	455121	99-04	Chevrolet Silverado 2500	71	20
		99-04	GMC Sierra 2500		
54	45513	99-02	Dodge Ram 2500	63	30

# FRONT MOUNTED RECEIVER HITCHES

PC	PART NO.	YEARS	MAKE/MODEL	WGT LBS	IN
54	45513	99-02	Dodge Ram 3500	63	30
70	45514†	99-04	Ford F-250 Super Duty w/Deep Drop Bumper	68	20
		99-04	Ford F-350 Super Duty w/Deep Drop Bumper		20
53	45515	00-06	Chevrolet Suburban 2500 w/Amber Turn Signals	59	50
		00-06	GMC Yukon XL 2500		50
65	45516	99-00	Ford F-350 Super Duty Cab & Chassis, w/34" Wide Frames	64	60
		99-20	Ford F-450 Super Duty Cab & Chassis, w/34" Wide Frames		60
		99-21	Ford F-550 Super Duty Cab & Chassis, w/34" Wide Frames		60
58	45517	01-10	Chevrolet Silverado 2500 HD	64	25
		03-07	Chevrolet Silverado 2500 HD (Classic)		25
		01-02	Chevrolet Silverado 3500		25
		03-06	Chevrolet Silverado 3500 (Classic)		25
		07-10	Chevrolet Silverado 3500 HD		25
		01-10	GMC Sierra 2500 HD		25
		03-07	GMC Sierra 2500 HD (Classic)		25
		01-02	GMC Sierra 3500		25
		03-07	GMC Sierra 3500 (Classic)		25
		07-10	GMC Sierra 3500 HD		25
63	45518	06-08	Dodge Ram 1500	76	35
		03	Dodge Ram 1500 (Built After 11/2002)		35
		04-05	Dodge Ram 1500 Except Daytona/Hemi Sport Quad Cab/Ram Rumble Bee/SRT-10		35
		03-05	Dodge Ram 2500		35
		06-10	Dodge Ram 2500 Except Mega Cab		35
		03-05	Dodge Ram 3500		35
		06-10	Dodge Ram 3500 Except Mega Cab		35
		11-20	RAM 2500 Except Mega Cab		35
		11-20	RAM 3500 Except Mega Cab		35
60	45519	01-10	Chevrolet Silverado 2500 HD 8 ft. Bed	77	25
		03-07	Chevrolet Silverado 2500 HD 8 ft. Bed (Classic)		25
		01-02	Chevrolet Silverado 3500		25
		03-06	Chevrolet Silverado 3500 (Classic)		25
		07-10	Chevrolet Silverado 3500 HD		25
		01-10	GMC Sierra 2500 HD 8 ft. Bed		25
		07	GMC Sierra 2500 HD 8 ft. Bed (Classic)		25
		01-02	GMC Sierra 3500		25
		03-07	GMC Sierra 3500 (Classic)		25
		07-10	GMC Sierra 3500 HD		25
<b>FRONT MOUNT RECEIVER</b>					
28	65001	91-07	Ford E-150 Econoline	37	20
		91-07	Ford E-250 Econoline		20
		91-07	Ford E-350 Econoline Inc. RV Cutaway		20
		03-07	Ford E-450 Econoline Super Duty RV Cutaway		20
		00-02	Ford E-450 Econoline Super Duty Stripped RV Cutaway		20
37	65003	94-01	Dodge Ram 1500	39	30
		94-02	Dodge Ram 2500		30
		94-02	Dodge Ram 3500		30
24	65004	95-05	Chevrolet Blazer Downsize	33	30
		99-01	Chevrolet Blazer Trailblazer		30
		94-04	Chevrolet S10		30
		95-05	GMC Jimmy Downsize		30
		94-04	GMC Sonoma		30
		96-00	Isuzu Hombre		30
		96-01	Oldsmobile Bravada		30
21	65005	92-94	Chevrolet Blazer Full Size	31	40
		88-99	Chevrolet C1500 2 Dr. Regular & Extended Cabs		40
		88-99	Chevrolet C2500 2 Dr. Regular & Extended Cabs		40
		88-00	Chevrolet C3500 2 Dr. Regular & Extended Cabs		40
		88-99	Chevrolet K1500 2 Dr. Regular & Extended Cabs		40
		88-99	Chevrolet K2500 2 Dr. Regular & Extended Cabs		40
		92-00	Chevrolet K2500 4 Dr. Crew Cab		40
		88-00	Chevrolet K3500 2 Dr. Regular & Extended Cabs		40
		92-00	Chevrolet K3500 4 Dr. Crew Cab		40
		92-99	Chevrolet Suburban C1500		40
		92-99	Chevrolet Suburban C2500		40
		92-99	Chevrolet Suburban K1500		40
		92-99	Chevrolet Suburban K2500		40
		95-00	Chevrolet Tahoe		40
		88-99	GMC C1500 2 Dr. Regular & Extended Cabs		40
		88-00	GMC C2500 2 Dr. Regular & Extended Cabs		40
		88-00	GMC C3500 2 Dr. Regular & Extended Cabs		40
		88-99	GMC K1500 2 Dr. Regular & Extended Cabs		40
		92-99	GMC K1500 4 Dr. Crew Cab		40

PC	PART NO.	YEARS	MAKE/MODEL	WGT LBS	IN
21	65005	92-00	GMC K2500 4 Dr. Crew Cab	31	40
		92-00	GMC K3500 4 Dr. Crew Cab		40
		92-99	GMC Suburban C1500		40
		92-99	GMC Suburban C2500		40
		92-99	GMC Suburban K1500		40
		92-99	GMC Suburban K2500		40
		92-00	GMC Yukon		40
53	65008	93-98	Jeep Grand Cherokee	44	25
		93	Jeep Grand Wagoneer		25
23	65009	84-01	Jeep Cherokee Downsize	29	30
		86-92	Jeep Comanche		30
		84-90	Jeep Wagoneer		30
32	65014	92-97	Ford F-250 Styleside	45	25
		92-97	Ford F-350 Styleside		25
30	65015	92-97	Ford F-250	36	25
		92-97	Ford F-350		25
24	65016	96-03	Chevrolet Express 1500 Inc. RV Cutaway	35	35
		96-03	Chevrolet Express 2500 Inc. RV Cutaway		35
		96-03	Chevrolet Express 3500 Inc. RV Cutaway		35
		96-03	GMC Savana 1500 Inc. RV Cutaway		35
		96-03	GMC Savana 2500 Inc. RV Cutaway		35
		96-03	GMC Savana 3500 Inc. RV Cutaway		35
52	65017	91-94	Ford Explorer	34	35
		89-97	Ford Ranger		35
		94-97	Mazda B2300		35
		94-97	Mazda B3000		35
		94-97	Mazda B4000		35
		91-94	Mazda Navajo		35
46	65021†	88-99	Chevrolet C1500 2 Dr. Regular & Extended Cabs	32	30
		92-99	Chevrolet C1500 4 Dr. Crew Cab		30
		88-99	Chevrolet C2500 2 Dr. Regular & Extended Cabs		30
		92-00	Chevrolet C2500 4 Dr. Crew Cab		30
		88-00	Chevrolet C3500 2 Dr. Regular & Extended Cabs		30
		92-00	Chevrolet C3500 4 Dr. Crew Cab		30
		92-99	Chevrolet Suburban C1500		30
		92-99	Chevrolet Suburban C2500		30
		92-99	Chevrolet Suburban K1500		30
		92-99	Chevrolet Suburban K2500		30
		88-99	GMC C1500 2 Dr. Regular & Extended Cabs		30
		92-99	GMC C1500 4 Dr. Crew Cab		30
		88-00	GMC C2500 2 Dr. Regular & Extended Cabs		30
		92-00	GMC C2500 4 Dr. Crew Cab		30
		88-00	GMC C3500 2 Dr. Regular & Extended Cabs		30
		92-00	GMC C3500 4 Dr. Crew Cab		30
		92-99	GMC Suburban C1500		30
		92-99	GMC Suburban C2500		30
		92-99	GMC Suburban K1500		30
		92-99	GMC Suburban K2500		30
34	65022	00-05	Ford Excursion	43	40
		99-07	Ford F-250 Super Duty		40
		99-07	Ford F-350 Super Duty		40
		99-07	Ford F-350 Super Duty Cab & Chassis, w/34" Wide Frames		40
		99-07	Ford F-450 Super Duty Cab & Chassis, w/34" Wide Frames		40
		99-07	Ford F-550 Super Duty Cab & Chassis, w/34" Wide Frames		40
47	65023	99-07	Chevrolet Silverado 1500	30	20
		00-06	Chevrolet Suburban 1500		20
		00-06	Chevrolet Tahoe 1500 Series		20
		99-07	GMC Sierra 1500 Except Denali (Classic)		20
		00-06	GMC Yukon 1500		20
		01-06	GMC Yukon Denali 1500		30
		00-06	GMC Yukon XL 1500		20
		01-06	GMC Yukon XL 1500 Denali		30
31	65024	01-05	Ford Ranger	39	35
		02-05	Mazda B2300		35
		01	Mazda B2500		35
		01-05	Mazda B3000		35
		01-05	Mazda B4000		35
35	65025	97-02	Ford Expedition	33	20
		97-03	Ford F-150		20
		04	Ford F-150 Heritage		20
		97-99	Ford F-250 Styleside		20
		98-02	Lincoln Navigator		20
24	65028	01-07	Chevrolet Silverado 1500 HD	30	20
		99-04	Chevrolet Silverado 2500		20



PC	PART NO.	YEARS	MAKE/MODEL	WGT LBS	IN				
24	65028	01-07	Chevrolet Silverado 2500 HD	30	20				
		01-07	Chevrolet Silverado 3500						
		00-06	Chevrolet Suburban 2500						
		01-07	GMC Sierra 1500 HD						
		99-04	GMC Sierra 2500						
		01-07	GMC Sierra 2500 HD						
		01-07	GMC Sierra 3500						
		00-06	GMC Yukon XL 2500						
		29	65030f			01-03	Ford Explorer 2 Dr. Sport	21	25
						01-05	Ford Explorer Sport Trac		
30	65031	01-07	Toyota Sequoia	41	40				
		00-06	Toyota Tundra						
49	65033	02-05	Dodge Ram 1500	43	25				
31	65041	01-04	Toyota Tacoma	31	30				
22	65043	04-08	Ford F-150	38	20				
		06-08	Lincoln Mark LT						
34	65046	03-09	Dodge Ram 2500	42	40				
		03-09	Dodge Ram 3500						
23	65048	97-06	Jeep TJ (Canada Only)	24	25				
		87-06	Jeep Wrangler						
		87-95	Jeep YJ (Canada Only)						
30	65049	08-16	Ford F-250 Super Duty	35	20				
		08-16	Ford F-350 Super Duty						
		08-20	Ford F-350 Super Duty Cab & Chassis						
		08-16	Ford F-450 Super Duty						
		08-20	Ford F-450 Super Duty Cab & Chassis						
		08-20	Ford F-550 Super Duty Cab & Chassis						
22	65050	07-10	Chevrolet Silverado 2500 HD	29	40				
		07-10	Chevrolet Silverado 3500 HD						
		07-10	GMC Sierra 2500 HD						
		07-10	GMC Sierra 3500 HD						
30	65052	07-13	Chevrolet Avalanche Except Z71	40	25				
		07-13	Chevrolet Silverado 1500						
		07-14	Chevrolet Suburban 1500 Except Z71						
		07-14	Chevrolet Tahoe Except Z71						
		07-13	GMC Sierra 1500						
		07-14	GMC Yukon						
		07-14	GMC Yukon XL 1500						
19	65053	08-14	Ford E-150 Econoline	32	40				
		08-14	Ford E-250 Econoline						
		08-14	Ford E-350 Econoline Super Duty						
		08-17	Ford E-350 Econoline Super Duty RV Cutaway						
		08-17	Ford E-450 Econoline Super Duty RV Cutaway						
35	65057f	10	Dodge Ram 2500 4 WD	32	40				
		11-12	RAM 2500 4 WD						
38	65060	10	Dodge Ram 3500	38	30				
		11-12	RAM 3500						
34	65061	09-14	Ford F-150	42	30				
		10-13	Lincoln Mark LT (Mexico Only)						
32	65062	09-10	Dodge Ram 1500	43	35				
		11-18	RAM 1500						
		19	RAM 1500 (Classic)						
33	65063	10	Dodge Ram 2500 w/Factory Tow Hooks	24	30				
		10	Dodge Ram 3500 w/Factory Tow Hooks						
		10	Dodge Ram 4500 Cab & Chassis, w/Factory Tow Hooks						
		10	Dodge Ram 5500 Cab & Chassis, w/Factory Tow Hooks						
		11-18	RAM 2500 w/Factory Tow Hooks						
		11-18	RAM 3500 w/Factory Tow Hooks						
		11-18	RAM 4500 Cab & Chassis, w/Factory Tow Hooks						
		11-18	RAM 5500 Cab & Chassis, w/Factory Tow Hooks						
30	65064	14-19	Chevrolet Silverado 1500 LD (Old Body Style)	35	25				
		15-20	Chevrolet Suburban						
		15-20	Chevrolet Tahoe						
		14-19	GMC Sierra 1500 LD (Old Body Style)						
		15-20	GMC Yukon						
		15-20	GMC Yukon XL						
44	65065	09-15	Nissan Titan 4 WD Only	45	45				
31	65067	15-20	Ford F-150	37	30				
19	65069	07-17	Jeep Wrangler	22	40				
		18	Jeep Wrangler JK						
52	65070	05-21	Toyota Tacoma	49	35				
23	65071	15-21	Chevrolet Colorado	32	30				
		15-20	GMC Canyon						
30	65072	16-21	Nissan Titan XD	29	25				
27	65073	17-20	Honda Ridgeline	26	35				
34	65074	14-20	Toyota 4Runner Except Limited	28	20				
24	65075	05-20	Nissan Frontier	36	35				

PC	PART NO.	YEARS	MAKE/MODEL	WGT LBS	IN
24	65075	05-12	Nissan Pathfinder	36	35
		09-12	Suzuki Equator Sport & RMZ-4 Models		
29	65076	17-21	Ford F-250 Super Duty	36	30
		17-21	Ford F-350 Super Duty		
		17-21	Ford F-450 Super Duty		
30	65077f	17-20	Nissan Titan Except Titan XD & 4 WD Models	42	60
24	65078	11-19	Chevrolet Silverado 2500 HD	29	35
		11-19	Chevrolet Silverado 2500 HD		
		11-19	Chevrolet Silverado 3500 HD		
		11-19	Chevrolet Silverado 3500 HD		
		11-19	GMC Sierra 2500 HD Except Denali		
		11-19	GMC Sierra 2500 HD Except Denali		
19	65079	20-21	Jeep Gladiator Except Mojave Edition	30	35
		18-21	Jeep Wrangler JL (New Body Style)		
16	65080	07-20	Toyota Sequoia	39	20
		07-21	Toyota Tundra		
32	65081	19-21	RAM 1500 (New Body Style), Except with Factory Tow Hooks	52	50
30	65082	19-21	Chevrolet Silverado 1500	31	25
25	65083	20-21	Chevrolet Silverado 2500 HD	30	30
		20	Chevrolet Silverado 3500 HD		
		20-21	GMC Sierra 2500 HD		
		20-21	GMC Sierra 3500 HD		
33	65084	19-21	RAM 2500	33	
		19-21	RAM 3500		
		19-21	RAM 4500		
		19-21	RAM 5500		
<b>1 - PLUG ADAPTERS</b>					
	20277f	13-14	RAM 1500		5
		13-14	RAM 2500		
		13-14	RAM 3500		
	3014-S	14-20	Jeep Cherokee		5
	3015-S	03-06	Cadillac Escalade		5
		03-06	Cadillac Escalade ESV		
		03-06	Cadillac Escalade EXT		
		03-06	Chevrolet Avalanche 1500		
		03-06	Chevrolet Avalanche 2500		
		03-06	Chevrolet Silverado 1500		
		07	Chevrolet Silverado 1500 (Classic)		
		03-06	Chevrolet Silverado 1500 HD		
		07	Chevrolet Silverado 1500 HD (Classic)		
		03-04	Chevrolet Silverado 2500		
		03-06	Chevrolet Silverado 2500 HD		
		07	Chevrolet Silverado 2500 HD (Classic)		
		03-06	Chevrolet Silverado 3500		
		07	Chevrolet Silverado 3500 (Classic)		
		03-06	Chevrolet Suburban 1500		
		03-06	Chevrolet Suburban 2500		
		03-06	Chevrolet Tahoe		
		03-06	GMC Sierra 1500		
		07	GMC Sierra 1500 (Classic)		
03-06	GMC Sierra 1500 HD				
07	GMC Sierra 1500 HD (Classic)				
03-04	GMC Sierra 2500				
03-06	GMC Sierra 2500 HD				
07	GMC Sierra 2500 HD (Classic)				
03-06	GMC Sierra 3500				
07	GMC Sierra 3500 (Classic)				
03-06	GMC Yukon				
03-06	GMC Yukon Denali				
03-06	GMC Yukon XL 1500				
03-06	GMC Yukon XL 1500 Denali				
03-06	GMC Yukon XL 2500				
03-07	Hummer H2				
	3016-S	15-20	Cadillac Escalade		5
		14-18	Chevrolet Silverado 1500		
		15-19	Chevrolet Silverado 2500 HD		
		15-19	Chevrolet Silverado 3500 HD		
		15-20	Chevrolet Suburban		
		15-20	Chevrolet Tahoe		
	3020-S	14-19	GMC Sierra 1500 LD (Old Body Style)		5
		15-19	GMC Sierra 2500 HD		
		15-19	GMC Sierra 3500 HD		
		15-20	GMC Yukon		
		07-09	Chrysler Aspen w/Factory Tow Package		5

# INDEX

## BRAKE CONTROL HARNESSES

PC	PART NO.	YEARS	MAKE/MODEL	WGT LBS	IN
3020-S		97-10	Dodge Dakota w/Factory Tow Package		5
		98-09	Dodge Durango w/Factory Tow Package		5
		95-09	Dodge Ram 1500		5
		95-09	Dodge Ram 2500		5
		95-09	Dodge Ram 3500		5
3021-S		11	RAM Dakota w/Factory Tow Package		5
		10	Dodge Ram 1500		5
		10	Dodge Ram 2500		5
		10	Dodge Ram 3500		5
		11-12	RAM 1500		5
		11-12	RAM 2500		5
		11-12	RAM 3500		5
3023-S		13-14	RAM 1500		5
		13-14	RAM 2500		5
		13-14	RAM 3500		5
3025-S		02	Cadillac Escalade		5
		02	Cadillac Escalade EXT		5
		02	Chevrolet Avalanche 1500		5
		02	Chevrolet Avalanche 2500		5
		99-02	Chevrolet Silverado 1500		5
		01-02	Chevrolet Silverado 1500 HD		5
		99-02	Chevrolet Silverado 2500		5
		01-02	Chevrolet Silverado 2500 HD		5
		01-02	Chevrolet Silverado 3500		5
		00-02	Chevrolet Suburban 1500 w/Amber Turn Signals		5
		00-02	Chevrolet Suburban 2500 w/Amber Turn Signals		5
		00-02	Chevrolet Tahoe w/Amber Turn Signals		5
		99-02	GMC Sierra 1500		5
		01-02	GMC Sierra 1500 HD		5
		99-02	GMC Sierra 2500		5
		01-02	GMC Sierra 2500 HD		5
		01-02	GMC Sierra 3500		5
		01-02	GMC Yukon Denali w/Amber Turn Signals		5
		00-02	GMC Yukon w/Amber Turn Signals		5
		00-02	GMC Yukon XL 1500		5
01-02	GMC Yukon XL 1500 Denali		5		
00-02	GMC Yukon XL 2500		5		
3026-S		08-17	Buick Enclave w/Factory 7-Way		5
		09-18	Chevrolet Traverse w/Factory 7-Way		5
		17	GMC Acadia Limited w/Factory 7-Way		5
		07-18	GMC Acadia w/Factory 7-Way		5
		07-09	Saturn Outlook w/Factory 7-Way		5
3031-S		16-20	Toyota Tacoma		5
		15-17	Toyota Tundra		5
3034-S		09-14	Ford E-150 Econoline		20
		09-14	Ford E-250 Econoline		20
		09-14	Ford E-350 Econoline Super Duty		20
		09-11	Ford E-350 Econoline Super Duty RV Cutaway, w/Factory Tow Prep Plug		20
		09-11	Ford E-450 Econoline Super Duty RV Cutaway, w/Factory Tow Prep Plug		20
		13-14	Ford Expedition		20
		08-16	Ford F-250 Super Duty		20
		08-16	Ford F-350 Super Duty		20
		08-16	Ford F-350 Super Duty Cab & Chassis		20
		08-16	Ford F-450 Super Duty		20
		08-16	Ford F-450 Super Duty Cab & Chassis		20
		08-20	Ford F-550 Super Duty Cab & Chassis		20
		13-14	Lincoln Navigator		20
		3035-S		94-96	Ford Bronco
92-08	Ford E-150 Econoline				5
92-08	Ford E-250 Econoline				5
92-08	Ford E-350 Econoline				5
92-08	Ford E-350 Econoline RV Cutaway, w/Factory Tow Prep Plug				5
03-08	Ford E-450 Econoline Super Duty RV Cutaway, w/Factory Tow Prep Plug				5
00-02	Ford E-450 Econoline Super Duty Stripped RV Cutaway, w/Factory Tow Prep Plug				5
00-05	Ford Excursion				5
97-12	Ford Expedition				5
07-10	Ford Explorer Sport Trac w/Factory Tow Package				5
02-20	Ford Explorer w/Factory Tow Package				5
94-08	Ford F-150				5
04	Ford F-150 Heritage				5
94-96	Ford F-250				5
97	Ford F-250 Heavy Duty				5

PC	PART NO.	YEARS	MAKE/MODEL	WGT LBS	IN
3035-S		97-99	Ford F-250 Styleside		5
		99-04	Ford F-250 Super Duty		5
		94-96	Ford F-350		5
		97	Ford F-350 Heavy Duty		5
		99-04	Ford F-350 Super Duty		5
		99-04	Ford F-450 Super Duty Cab & Chassis		5
		99-04	Ford F-550 Super Duty Cab & Chassis		5
		09-11	Ford Flex w/Factory Tow Package		5
		95-03	Ford Windstar w/Factory Tow Package		5
		05-09	Land Rover LR3		5
		10-20	Land Rover LR4		5
		05-15	Land Rover Range Rover		5
		12-19	Land Rover Range Rover Evoque		5
		20	Land Rover Range Rover Sport		5
		03-05	Lincoln Aviator w/Factory Tow Package		5
		06-08	Lincoln Mark LT		5
		10-11	Lincoln MKT w/Factory Tow Package		5
		98-12	Lincoln Navigator		5
		02-10	Mercury Mountaineer w/Factory Tow Package		5
		3036-S		15-17	Ford Expedition
09-20	Ford F-150				20
17-20	Ford F-250 Super Duty				20
17-20	Ford F-350 Super Duty				20
17-20	Ford F-450 Super Duty				20
17-20	Ford F-550 Super Duty				20
12-20	Ford Flex w/Factory Tow Package				20
12-20	Lincoln MKT w/Factory Tow Package				20
15-20	Lincoln Navigator				20
3040-S				10-20	Lexus GX460
		03-09	Lexus GX470		5
		03-07	Lexus LX470		5
		08-20	Lexus LX570		5
		03-13	Toyota 4Runner		5
		03-21	Toyota Land Cruiser		5
		03-20	Toyota Sequoia		5
		07-15	Toyota Tacoma		5
		03-14	Toyota Tundra		5
		3045-S		17-20	Chrysler Pacifica w/Factory 7-Way
11-20	Dodge Durango w/Factory Tow Package				5
11-20	Jeep Grand Cherokee w/Factory Tow Package				5
3050-S		04-13	Infiniti QX56		5
		05-20	Nissan Armada		5
		05-20	Nissan Frontier		5
		13-20	Nissan NV1500		5
		13-20	Nissan NV2500		5
		13-20	Nissan NV3500		5
		05-20	Nissan Pathfinder		5
		04	Nissan Pathfinder Armada		5
04-20	Nissan Titan Except Titan XD		5		
05-15	Nissan Xterra w/Factory Tow Package		5		
3065-S		05-07	Ford F-250 Super Duty		5
		05-07	Ford F-350 Super Duty		5
		05-07	Ford F-350 Super Duty Cab & Chassis		5
		05-07	Ford F-450 Super Duty Cab & Chassis		5
		05-07	Ford F-550 Super Duty Cab & Chassis		5
3070-S		09-20	Honda Pilot w/Factory Tow Package		5
		06-20	Honda Ridgeline w/Factory Tow Package		5
<b>2 - PLUG ADAPTERS</b>					
3014	14-20	Jeep Cherokee			5
3014-P	14-20	Jeep Cherokee			5
3015		03-06	Cadillac Escalade		5
		03-06	Cadillac Escalade ESV		5
		03-06	Cadillac Escalade EXT		5
		03-06	Chevrolet Avalanche 1500		5
		03-06	Chevrolet Avalanche 2500		5
		03-06	Chevrolet Silverado 1500		5
		07	Chevrolet Silverado 1500 (Classic)		5
		03-06	Chevrolet Silverado 1500 HD		5
		07	Chevrolet Silverado 1500 HD (Classic)		5
		03-04	Chevrolet Silverado 2500		5
		03-06	Chevrolet Silverado 2500 HD		5
		07	Chevrolet Silverado 2500 HD (Classic)		5
		03-06	Chevrolet Silverado 3500		5
07	Chevrolet Silverado 3500 (Classic)		5		
03-06	Chevrolet Suburban 1500		5		
03-06	Chevrolet Suburban 2500		5		
03-06	Chevrolet Tahoe		5		

PC	PART NO.	YEARS	MAKE/MODEL	WGT LBS	IN		
	3015	03-06	GMC Sierra 1500		5		
		07	GMC Sierra 1500 (Classic)		5		
		03-06	GMC Sierra 1500 HD		5		
		07	GMC Sierra 1500 HD (Classic)		5		
		03-04	GMC Sierra 2500		5		
		03-06	GMC Sierra 2500 HD		5		
		07	GMC Sierra 2500 HD (Classic)		5		
		03-06	GMC Sierra 3500		5		
		07	GMC Sierra 3500 (Classic)		5		
		03-06	GMC Yukon		5		
		03-06	GMC Yukon Denali		5		
		03-06	GMC Yukon XL 1500		5		
		03-06	GMC Yukon XL 1500 Denali		5		
		03-06	GMC Yukon XL 2500		5		
		03-07	Hummer H2		5		
			3015-P	03-06	Cadillac Escalade		5
				03-06	Cadillac Escalade ESV		5
				03-06	Cadillac Escalade EXT		5
				03-06	Chevrolet Avalanche 1500		5
				03-06	Chevrolet Avalanche 2500		5
03-06	Chevrolet Silverado 1500				5		
07	Chevrolet Silverado 1500 (Classic)				5		
03-06	Chevrolet Silverado 1500 HD				5		
07	Chevrolet Silverado 1500 HD (Classic)				5		
03-04	Chevrolet Silverado 2500				5		
03-06	Chevrolet Silverado 2500 HD				5		
07	Chevrolet Silverado 2500 HD (Classic)				5		
03-06	Chevrolet Silverado 3500				5		
07	Chevrolet Silverado 3500 (Classic)				5		
03-06	Chevrolet Suburban 1500				5		
03-06	Chevrolet Suburban 2500				5		
03-06	Chevrolet Tahoe				5		
03-06	GMC Sierra 1500				5		
07	GMC Sierra 1500 (Classic)				5		
03-06	GMC Sierra 1500 HD				5		
07	GMC Sierra 1500 HD (Classic)				5		
03-04	GMC Sierra 2500				5		
03-06	GMC Sierra 2500 HD				5		
07	GMC Sierra 2500 HD (Classic)				5		
03-06	GMC Sierra 3500				5		
07	GMC Sierra 3500 (Classic)				5		
03-06	GMC Yukon				5		
03-06	GMC Yukon Denali				5		
03-06	GMC Yukon XL 1500				5		
03-06	GMC Yukon XL 1500 Denali				5		
03-06	GMC Yukon XL 2500				5		
03-07	Hummer H2				5		
	3016			15-20	Cadillac Escalade		5
				14-18	Chevrolet Silverado 1500		5
				15-19	Chevrolet Silverado 2500 HD		5
		15-19	Chevrolet Silverado 3500 HD		5		
		15-20	Chevrolet Suburban		5		
		15-20	Chevrolet Tahoe		5		
		14-19	GMC Sierra 1500 LD (Old Body Style)		5		
		15-19	GMC Sierra 2500 HD		5		
		15-19	GMC Sierra 3500 HD		5		
		15-20	GMC Yukon		5		
			3016-P	15-20	Cadillac Escalade		5
				14-18	Chevrolet Silverado 1500		5
				15-19	Chevrolet Silverado 2500 HD		5
				15-19	Chevrolet Silverado 3500 HD		5
15-20	Chevrolet Suburban				5		
15-20	Chevrolet Tahoe				5		
14-19	GMC Sierra 1500 LD (Old Body Style)				5		
15-19	GMC Sierra 2500 HD				5		
15-19	GMC Sierra 3500 HD				5		
15-20	GMC Yukon				5		
	3020	07-09	Chrysler Aspen w/Factory Tow Package		5		
		97-10	Dodge Dakota w/Factory Tow Package		5		
		98-09	Dodge Durango w/Factory Tow Package		5		
		95-09	Dodge Ram 1500		5		
		95-09	Dodge Ram 2500		5		
		95-09	Dodge Ram 3500		5		
		11	RAM Dakota w/Factory Tow Package		5		
			3020-P	07-09	Chrysler Aspen w/Factory Tow Package		5
97-10	Dodge Dakota w/Factory Tow Package				5		
98-09	Dodge Durango w/Factory Tow Package				5		

PC	PART NO.	YEARS	MAKE/MODEL	WGT LBS	IN
	3020-P	95-09	Dodge Ram 1500		5
		95-09	Dodge Ram 2500		5
		95-09	Dodge Ram 3500		5
		11	RAM Dakota w/Factory Tow Package		5
	3021	10	Dodge Ram 1500		5
		10	Dodge Ram 2500		5
		10	Dodge Ram 3500		5
		11-12	RAM 1500		5
		11-12	RAM 2500		5
	3021-P	10	Dodge Ram 1500		5
		10	Dodge Ram 2500		5
10		Dodge Ram 3500		5	
11-12		RAM 1500		5	
11-12		RAM 2500		5	
3023	13-14	RAM 1500		10	
	13-14	RAM 2500		10	
	13-14	RAM 3500		10	
30234-P	13-14	RAM 1500	2	45	
	13-14	RAM 2500		45	
	13-14	RAM 3500		45	
30235	13-20	RAM 1500 (Classic)	1	30	
	13-21	RAM 2500		30	
	13-21	RAM 3500		30	
30235-P	13-20	RAM 1500 (Classic)	2	30	
	13-21	RAM 2500		30	
	13-21	RAM 3500		30	
3023-P	13-14	RAM 1500		10	
	13-14	RAM 2500		10	
	13-14	RAM 3500		10	
3024	15-20	RAM 1500 (Classic)		5	
	15-21	RAM 2500		5	
	15-21	RAM 3500		5	
3024-P	15-20	RAM 1500 (Classic)		5	
	15-21	RAM 2500		5	
	15-21	RAM 3500		5	
3025	02	Cadillac Escalade		5	
	02	Cadillac Escalade EXT		5	
	02	Chevrolet Avalanche 1500		5	
	02	Chevrolet Avalanche 2500		5	
	99-02	Chevrolet Silverado 1500		5	
	01-02	Chevrolet Silverado 1500 HD		5	
	99-02	Chevrolet Silverado 2500		5	
	01-02	Chevrolet Silverado 2500 HD		5	
	01-02	Chevrolet Silverado 3500		5	
	00-02	Chevrolet Suburban 1500 w/Amber Turn Signals		5	
	00-02	Chevrolet Suburban 2500 w/Amber Turn Signals		5	
	00-02	Chevrolet Tahoe w/Amber Turn Signals		5	
	99-02	GMC Sierra 1500		5	
01-02	GMC Sierra 1500 HD		5		
99-02	GMC Sierra 2500		5		
01-02	GMC Sierra 2500 HD		5		
01-02	GMC Sierra 3500		5		
01-02	GMC Yukon Denali w/Amber Turn Signals		5		
00-02	GMC Yukon w/Amber Turn Signals		5		
00-02	GMC Yukon XL 1500		5		
01-02	GMC Yukon XL 1500 Denali		5		
00-02	GMC Yukon XL 2500		5		
3025-P	02	Cadillac Escalade		5	
	02	Cadillac Escalade EXT		5	
	02	Chevrolet Avalanche 1500		5	
	02	Chevrolet Avalanche 2500		5	
	99-02	Chevrolet Silverado 1500		5	
	01-02	Chevrolet Silverado 1500 HD		5	
	99-02	Chevrolet Silverado 2500		5	
	01-02	Chevrolet Silverado 2500 HD		5	
	01-02	Chevrolet Silverado 3500		5	
	00-02	Chevrolet Suburban 1500 w/Amber Turn Signals		5	
	00-02	Chevrolet Suburban 2500 w/Amber Turn Signals		5	
	00-02	Chevrolet Tahoe w/Amber Turn Signals		5	
	99-02	GMC Sierra 1500		5	
01-02	GMC Sierra 1500 HD		5		
99-02	GMC Sierra 2500		5		
01-02	GMC Sierra 2500 HD		5		
01-02	GMC Sierra 3500		5		
01-02	GMC Yukon Denali w/Amber Turn Signals		5		

# INDEX

## BRAKE CONTROL HARNESSES

PC	PART NO.	YEARS	MAKE/MODEL	WGT LBS	IN
	3025-P	00-02	GMC Yukon w/Amber Turn Signals		5
		00-02	GMC Yukon XL 1500		5
		01-02	GMC Yukon XL 1500 Denali		5
		00-02	GMC Yukon XL 2500		5
	3026	08-17	Buick Enclave w/Factory 7-Way		5
		09-18	Chevrolet Traverse w/Factory 7-Way		5
		17	GMC Acadia Limited w/Factory 7-Way		5
		07-18	GMC Acadia w/Factory 7-Way		5
		07-09	Saturn Outlook w/Factory 7-Way		5
	3026-P	08-17	Buick Enclave w/Factory 7-Way		5
		09-18	Chevrolet Traverse w/Factory 7-Way		5
		17	GMC Acadia Limited w/Factory 7-Way		5
		07-18	GMC Acadia w/Factory 7-Way		5
		07-09	Saturn Outlook w/Factory 7-Way		5
	3027	04-20	Freightliner SL		5
		04-20	Freightliner XC		5
	3027-P	04-20	Freightliner SL		5
		04-20	Freightliner XC		5
	3028	13-20	Acura MDX		10
	3028-P	13-20	Acura MDX		10
	3030	12-20	Freightliner Sprinter 1500		10
		19-20	Mercedes-Benz Sprinter 1500		10
		12-20	Mercedes-Benz Sprinter Except 2500 & 3500 Models		10
	3030-P	12-20	Freightliner Sprinter 1500		10
		19-20	Mercedes-Benz Sprinter 1500		10
		12-20	Mercedes-Benz Sprinter Except 2500 & 3500 Models		10
	3031	16-20	Toyota Tacoma		5
		15-17	Toyota Tundra		5
	3031-P	16-20	Toyota Tacoma		5
		15-17	Toyota Tundra		5
	3032	09-11	KIA Borrego		5
	3032-P	09-11	KIA Borrego		5
	3034	09-14	Ford E-150 Econoline		20
		09-14	Ford E-250 Econoline		20
		09-14	Ford E-350 Econoline Super Duty		20
		09-11	Ford E-350 Econoline Super Duty RV Cutaway, w/Factory Tow Prep Plug		20
		09-11	Ford E-450 Econoline Super Duty RV Cutaway, w/Factory Tow Prep Plug		20
		13-14	Ford Expedition		
		08-16	Ford F-250 Super Duty		20
		08-16	Ford F-350 Super Duty		20
		08-16	Ford F-350 Super Duty Cab & Chassis		20
		08-16	Ford F-450 Super Duty		20
		08-16	Ford F-450 Super Duty Cab & Chassis		20
		08-20	Ford F-550 Super Duty Cab & Chassis		20
		13-14	Lincoln Navigator		20
			3034-P	09-14	Ford E-150 Econoline
09-14	Ford E-250 Econoline				20
09-14	Ford E-350 Econoline Super Duty				20
09-11	Ford E-350 Econoline Super Duty RV Cutaway, w/Factory Tow Prep Plug				20
09-11	Ford E-450 Econoline Super Duty RV Cutaway, w/Factory Tow Prep Plug				20
13-14	Ford Expedition				
08-16	Ford F-250 Super Duty				20
08-16	Ford F-350 Super Duty				20
08-16	Ford F-350 Super Duty Cab & Chassis				20
08-16	Ford F-450 Super Duty				20
08-16	Ford F-450 Super Duty Cab & Chassis				20
08-20	Ford F-550 Super Duty Cab & Chassis				20
13-14	Lincoln Navigator				20
	3035			94-96	Ford Bronco
		92-08	Ford E-150 Econoline		5
		92-08	Ford E-250 Econoline		5
		92-08	Ford E-350 Econoline		5
		92-08	Ford E-350 Econoline RV Cutaway, w/Factory Tow Prep Plug		5
		03-08	Ford E-450 Econoline Super Duty RV Cutaway, w/Factory Tow Prep Plug		5
		00-02	Ford E-450 Econoline Super Duty Stripped RV Cutaway, w/Factory Tow Prep Plug		5
		00-05	Ford Excursion		5
		97-12	Ford Expedition		5
		07-10	Ford Explorer Sport Trac w/Factory Tow Package		5
		02-20	Ford Explorer w/Factory Tow Package		5
		94-08	Ford F-150		5

PC	PART NO.	YEARS	MAKE/MODEL	WGT LBS	IN		
	3035	04	Ford F-150 Heritage		5		
		94-96	Ford F-250		5		
		97	Ford F-250 Heavy Duty		5		
		97-99	Ford F-250 Styleside		5		
		99-04	Ford F-250 Super Duty		5		
		94-96	Ford F-350		5		
		97	Ford F-350 Heavy Duty		5		
		99-04	Ford F-350 Super Duty		5		
		99-04	Ford F-450 Super Duty Cab & Chassis		5		
		99-04	Ford F-550 Super Duty Cab & Chassis		5		
		09-11	Ford Flex w/Factory Tow Package		5		
		95-03	Ford Windstar w/Factory Tow Package		5		
		05-09	Land Rover LR3		5		
		10-20	Land Rover LR4		5		
		05-15	Land Rover Range Rover		5		
		12-19	Land Rover Range Rover Evoque		5		
		20	Land Rover Range Rover Sport		5		
		03-05	Lincoln Aviator w/Factory Tow Package		5		
		06-08	Lincoln Mark LT		5		
		10-11	Lincoln MKT w/Factory Tow Package		5		
		98-12	Lincoln Navigator		5		
		02-10	Mercury Mountaineer w/Factory Tow Package		5		
			3035-P	94-96	Ford Bronco		5
				92-08	Ford E-150 Econoline		5
				92-08	Ford E-250 Econoline		5
				92-08	Ford E-350 Econoline		5
92-08	Ford E-350 Econoline RV Cutaway, w/Factory Tow Prep Plug				5		
03-08	Ford E-450 Econoline Super Duty RV Cutaway, w/Factory Tow Prep Plug				5		
00-02	Ford E-450 Econoline Super Duty Stripped RV Cutaway, w/Factory Tow Prep Plug				5		
00-05	Ford Excursion				5		
97-12	Ford Expedition				5		
07-10	Ford Explorer Sport Trac w/Factory Tow Package				5		
02-20	Ford Explorer w/Factory Tow Package				5		
94-08	Ford F-150				5		
04	Ford F-150 Heritage				5		
94-96	Ford F-250				5		
97	Ford F-250 Heavy Duty				5		
97-99	Ford F-250 Styleside				5		
99-04	Ford F-250 Super Duty				5		
94-96	Ford F-350				5		
97	Ford F-350 Heavy Duty				5		
99-04	Ford F-350 Super Duty				5		
99-04	Ford F-450 Super Duty Cab & Chassis				5		
99-04	Ford F-550 Super Duty Cab & Chassis				5		
09-11	Ford Flex w/Factory Tow Package				5		
95-03	Ford Windstar w/Factory Tow Package				5		
05-09	Land Rover LR3				5		
10-20	Land Rover LR4				5		
05-15	Land Rover Range Rover		5				
12-19	Land Rover Range Rover Evoque		5				
20	Land Rover Range Rover Sport		5				
03-05	Lincoln Aviator w/Factory Tow Package		5				
06-08	Lincoln Mark LT		5				
10-11	Lincoln MKT w/Factory Tow Package		5				
98-12	Lincoln Navigator		5				
02-10	Mercury Mountaineer w/Factory Tow Package		5				
	3036	15-17	Ford Expedition		20		
		09-20	Ford F-150		20		
		17-20	Ford F-250 Super Duty		20		
		17-20	Ford F-350 Super Duty		20		
		17-20	Ford F-450 Super Duty		20		
		17-20	Ford F-550 Super Duty		20		
		12-20	Ford Flex w/Factory Tow Package		20		
		12-20	Lincoln MKT w/Factory Tow Package		20		
		15-20	Lincoln Navigator		20		
	3036-P	15-17	Ford Expedition		20		
		09-20	Ford F-150		20		
		17-20	Ford F-250 Super Duty		20		
		17-20	Ford F-350 Super Duty		20		
		17-20	Ford F-450 Super Duty		20		
		17-20	Ford F-550 Super Duty		20		
		12-20	Ford Flex w/Factory Tow Package		20		
		12-20	Lincoln MKT w/Factory Tow Package		20		
		15-20	Lincoln Navigator		20		

PC	PART NO.	YEARS	MAKE/MODEL	WGT LBS	IN	
	3037-P	07-20	BMW X5 w/ Factory 7-Way	2	90	
	3040	10-20	Lexus GX460		5	
		03-09	Lexus GX470		5	
		03-07	Lexus LX470		5	
		08-20	Lexus LX570		5	
		03-13	Toyota 4Runner		5	
		03-21	Toyota Land Cruiser		5	
		03-20	Toyota Sequoia		5	
		07-15	Toyota Tacoma		5	
		03-14	Toyota Tundra		5	
		3040-P	10-20	Lexus GX460		5
		03-09	Lexus GX470		5	
		03-07	Lexus LX470		5	
		08-20	Lexus LX570		5	
		03-13	Toyota 4Runner		5	
		03-21	Toyota Land Cruiser		5	
		03-20	Toyota Sequoia		5	
		07-15	Toyota Tacoma		5	
		03-14	Toyota Tundra		5	
	3041	14-21	Toyota 4Runner		10	
	3041-P	14-21	Toyota 4Runner		10	
	3045	17-20	Chrysler Pacifica w/Factory 7-Way		5	
		11-20	Dodge Durango w/Factory Tow Package		5	
		11-20	Jeep Grand Cherokee w/Factory Tow Package		5	
	3045-P	17-20	Chrysler Pacifica w/Factory 7-Way		5	
		11-20	Dodge Durango w/Factory Tow Package		5	
		11-20	Jeep Grand Cherokee w/Factory Tow Package		5	
	3050	04-13	Infiniti QX56		5	
		14-20	Infiniti QX60 Except Hybrid		5	
		14	Infiniti QX60 Hybrid		5	
		14-20	Infiniti QX80		5	
		05-20	Nissan Armada		5	
		05-20	Nissan Frontier		5	
		13-20	Nissan NV1500		5	
		13-20	Nissan NV2500		5	
		13-20	Nissan NV3500		5	
		05-20	Nissan Pathfinder		5	
		04	Nissan Pathfinder Armada		5	
		04-20	Nissan Titan Except Titan XD		5	
		05-15	Nissan Xterra w/Factory Tow Package		5	
		3050-P	04-13	Infiniti QX56		5
			14-20	Infiniti QX80		5
	05-20		Nissan Armada		5	
	05-20		Nissan Frontier		5	
	13-20		Nissan NV1500		5	
	13-20		Nissan NV2500		5	
	13-20		Nissan NV3500		5	
	05-20		Nissan Pathfinder		5	
	04		Nissan Pathfinder Armada		5	
	04-20		Nissan Titan Except Titan XD		5	
	05-15	Nissan Xterra w/Factory Tow Package		5		
	3062	19-20	Subaru Ascent		10	
	3062-P	19-20	Subaru Ascent		10	
	3063	07-09	Dodge Sprinter 2500		10	
		07-09	Dodge Sprinter 3500		10	
		07-20	Freightliner Sprinter 2500		10	
		07-20	Freightliner Sprinter 3500		10	
		07-11	Mercedes-Benz Sprinter		10	
		12-20	Mercedes-Benz Sprinter 2500		10	
		12-20	Mercedes-Benz Sprinter 3500		10	
	3063-P	07-09	Dodge Sprinter 2500		10	
		07-09	Dodge Sprinter 3500		10	
		07-20	Freightliner Sprinter 2500		10	
		07-20	Freightliner Sprinter 3500		10	
		07-11	Mercedes-Benz Sprinter		10	
		12-20	Mercedes-Benz Sprinter 2500		10	
		12-20	Mercedes-Benz Sprinter 3500		10	
	3064	19-21	Chevrolet Silverado 1500 (New Body Style)		10	
		20-21	Chevrolet Silverado 2500 HD		10	
		20	Chevrolet Silverado 3500 HD		10	
		19-20	GMC Sierra 1500 (New Body Style)		10	
		20	GMC Sierra 2500 HD		10	
		20	GMC Sierra 3500 HD		10	
	3064-P	19-21	Chevrolet Silverado 1500 (New Body Style)		10	
		20-21	Chevrolet Silverado 2500 HD		10	
		20	Chevrolet Silverado 3500 HD		10	
		19-20	GMC Sierra 1500 (New Body Style)		10	

PC	PART NO.	YEARS	MAKE/MODEL	WGT LBS	IN
	3064-P	20	GMC Sierra 2500 HD		10
		20	GMC Sierra 3500 HD		10
	3065	05-07	Ford F-250 Super Duty		5
		05-07	Ford F-350 Super Duty		5
		05-07	Ford F-350 Super Duty Cab & Chassis		5
		05-07	Ford F-450 Super Duty Cab & Chassis		5
		05-07	Ford F-550 Super Duty Cab & Chassis		5
	3065-P	05-07	Ford F-250 Super Duty		5
		05-07	Ford F-350 Super Duty		5
		05-07	Ford F-350 Super Duty Cab & Chassis		5
		05-07	Ford F-450 Super Duty Cab & Chassis		5
		05-07	Ford F-550 Super Duty Cab & Chassis		5
	3066	12-20	Mercedes-Benz GL350 w/ Factory Tow Package		10
		12-20	Mercedes-Benz GL450 w/ Factory Tow Package		10
		12-20	Mercedes-Benz GL550 w/ Factory Tow Package		10
		16-20	Mercedes-Benz GLE350 w/ Factory Tow Package		10
		17-20	Mercedes-Benz GLE43 AMG w/ Factory Tow Package		10
		16-20	Mercedes-Benz GLE550 w/ Factory Tow Package		10
		16-20	Mercedes-Benz GLE63 AMG w/ Factory Tow Package		10
		16-20	Mercedes-Benz GLE63 AMG w/ Factory Tow Package		10
		17-20	Mercedes-Benz GLS450 w/ Factory Tow Package		10
		17-20	Mercedes-Benz GLS550 w/ Factory Tow Package		10
		17-20	Mercedes-Benz GLS63 AMG w/ Factory Tow Package		10
		15-20	Mercedes-Benz ML250 w/ Factory Tow Package		10
	3066-P	12-20	Mercedes-Benz GL350 w/ Factory Tow Package		10
		12-20	Mercedes-Benz GL450 w/ Factory Tow Package		10
		12-20	Mercedes-Benz GL550 w/ Factory Tow Package		10
		16-20	Mercedes-Benz GLE350 w/ Factory Tow Package		10
		17-20	Mercedes-Benz GLE43 AMG w/ Factory Tow Package		10
		16-20	Mercedes-Benz GLE550 w/ Factory Tow Package		10
		16-20	Mercedes-Benz GLE63 AMG w/ Factory Tow Package		10
		17-20	Mercedes-Benz GLS450 w/ Factory Tow Package		10
		17-20	Mercedes-Benz GLS550 w/ Factory Tow Package		10
		17-20	Mercedes-Benz GLS63 AMG w/ Factory Tow Package		10
	3070	09-20	Honda Pilot w/Factory Tow Package		5
		06-20	Honda Ridgeline w/Factory Tow Package		5
		09-20	Honda Pilot w/Factory Tow Package		5
	3070-P	06-20	Honda Ridgeline w/Factory Tow Package		5
		09-20	Honda Pilot w/Factory Tow Package		5
		06-20	Honda Ridgeline w/Factory Tow Package		5
	3072-P	18-20	Audi Q5		5
		07-20	Audi Q7		5
		14-20	Audi SQ5		5
		04-20	Porsche Cayenne		5
		18-20	Volkswagen Atlas		5
		04-20	Volkswagen Touareg		5
	3073	20-21	Jeep Gladiator		10
		18-21	Jeep Wrangler JL (New Body Style)		10
	3073-P	20-21	Jeep Gladiator		10
		18-21	Jeep Wrangler JL (New Body Style)		10
	3077	18-20	Ford Expedition		10
	3077-P	18-20	Ford Expedition		10
	7865	19-20	Ford Ranger		10
		15-20	Toyota Highlander		10
<b>T-ONE CONNECTOR</b>					
E7	118300	04-07	Chrysler Town & Country	1	20
		04-07	Dodge Caravan		20
		04-07	Dodge Grand Caravan		20
E10	118301	04-12	Chevrolet Colorado	1	10
		04-12	GMC Canyon		10
		06	Isuzu i-280		10
		07-08	Isuzu i-290		10
		06	Isuzu i-350		10
	07-08	Isuzu i-370		10	
E11	118302	06-08	Acura TSX 4 Dr. Sedan	1	10
		03-07	Honda Accord 4 Dr. Sedan		10
E17	118303	04-08	Chrysler Pacifica	1	25
E11	118304	04-10	Toyota Sienna	1	20
E19	118305f	03	Ford Windstar (Built After 11/2002)	2	45
E10	118306	03-06	Mitsubishi Outlander	1	25
E8	118307	03-06	KIA Sorento		5
E11	118308	02-06	Toyota Camry 4 Dr. Sedan	1	5
E10	118309	02-05	KIA Sedona	1	25
E1	118311	73-74	Chevrolet Blazer Full Size		5
		75-84	Chevrolet Blazer K5 Full Size		5

**T-ONE CONNECTORS**

PC	PART NO.	YEARS	MAKE/MODEL	WGT LBS	IN		
E1	118311	73-84	Chevrolet C10		5		
		73-84	Chevrolet C20		5		
		73-84	Chevrolet C30		5		
		73-84	Chevrolet K10		5		
		73-84	Chevrolet K20		5		
		77-84	Chevrolet K30		5		
		73-84	Chevrolet Suburban C10		5		
		73-84	Chevrolet Suburban C20		5		
		73-84	Chevrolet Suburban K10		5		
		73-84	Chevrolet Suburban K20		5		
		75-78	GMC C15		5		
		73-74	GMC C15/C1500		5		
		79-84	GMC C1500		5		
		75-78	GMC C25		5		
		67-74	GMC C25/C2500		5		
		79-84	GMC C2500		5		
		75-78	GMC C35		5		
		73-74	GMC C35/C3500		5		
		79-84	GMC C3500		5		
		73-84	GMC Jimmy Full Size		5		
		67-78	GMC K15		5		
		79-84	GMC K1500		5		
		73-78	GMC K25		5		
		79-84	GMC K2500		5		
		67-78	GMC K35		5		
		79-84	GMC K3500		5		
		73-78	GMC Suburban C15		5		
		79-84	GMC Suburban C1500		5		
		75-78	GMC Suburban C25		5		
		79-84	GMC Suburban C2500		5		
		73-78	GMC Suburban K15		5		
		79-84	GMC Suburban K1500		5		
		73-78	GMC Suburban K25		5		
		79-84	GMC Suburban K2500		5		
		E3	118312	87-91	Chevrolet Blazer Full Size		5
				85-86	Chevrolet Blazer K5 Full Size		5
				85-86	Chevrolet C10		5
				85-86	Chevrolet C20		5
				88-91	Chevrolet C2500 Crew Cab		5
				85-86	Chevrolet C30		5
				88-91	Chevrolet C3500 Crew Cab		5
				85-86	Chevrolet K10		5
				85-86	Chevrolet K20		5
				88-91	Chevrolet K2500 Crew Cab		5
85-86	Chevrolet K30				5		
88-91	Chevrolet K3500 Crew Cab				5		
85-97	Chevrolet S10				5		
85-86	Chevrolet Suburban C10				5		
85-86	Chevrolet Suburban C20				5		
85-86	Chevrolet Suburban K10				5		
85-86	Chevrolet Suburban K20				5		
87-88	Chevrolet Suburban R10				5		
89-91	Chevrolet Suburban R1500				5		
87-88	Chevrolet Suburban R20				5		
89-91	Chevrolet Suburban R2500				5		
87-88	Chevrolet Suburban V10				5		
89-91	Chevrolet Suburban V1500				5		
87-88	Chevrolet Suburban V20				5		
89-91	Chevrolet Suburban V2500				5		
85-86	GMC C1500				5		
85-86	GMC C2500				5		
88-91	GMC C2500 Crew Cab				5		
85-86	GMC C3500				5		
88-91	GMC C3500 Crew Cab				5		
85-91	GMC Jimmy Full Size				5		
85-86	GMC K1500				5		
85-86	GMC K2500				5		
88-91	GMC K2500 Crew Cab				5		
85-86	GMC K3500				5		
88-91	GMC K3500 Crew Cab				5		
85-90	GMC S15				5		
91-97	GMC Sonoma				5		
85-86	GMC Suburban C1500				5		
85-86	GMC Suburban C2500				5		
85-86	GMC Suburban K1500				5		
85-86	GMC Suburban K2500				5		
87-91	GMC Suburban R1500				5		

PC	PART NO.	YEARS	MAKE/MODEL	WGT LBS	IN
E3	118312	87-91	GMC Suburban R2500		5
		87-91	GMC Suburban V1500		5
		87-91	GMC Suburban V2500		5
		91	GMC Syclone		5
		96-97	Isuzu Hombre		5
E1	118313	80-86	Ford Bronco		5
		80-83	Ford F-100		5
		80-86	Ford F-150		5
		80-86	Ford F-250		5
		80-86	Ford F-350		5
		83-85	Ford Ranger		5
E6	118314	86-92	Ford Ranger		5
E4	118315	88-99	Chevrolet C1500 Except 88-91 Crew Cab		5
		88-99	Chevrolet C2500 Except 88-91 Crew Cab		5
		88-00	Chevrolet C3500 Except 88-91 Crew Cab		5
		88-99	Chevrolet K1500 Except 88-91 Crew Cab		5
		88-99	Chevrolet K2500 Except 88-91 Crew Cab		5
		88-00	Chevrolet K3500 Except 88-91 Crew Cab		5
		88-99	GMC C1500 Except 88-91 Crew Cab		5
		88-00	GMC C2500 Except 88-91 Crew Cab		5
		88-00	GMC C3500 Except 88-91 Crew Cab		5
		88-99	GMC K1500 Except 88-91 Crew Cab		5
		88-00	GMC K2500 Except 88-91 Crew Cab		5
		88-00	GMC K3500 Except 88-91 Crew Cab		5
		E5	118316	87-96	Ford F-150
87-96	Ford F-250				5
97	Ford F-250 Heavy Duty				5
87-96	Ford F-350				5
E9	118317	86-93	Dodge D150	1	5
		86-93	Dodge D250		5
		86-93	Dodge D350		5
		87-93	Dodge D350 Cab & Chassis		5
		87-94	Dodge Dakota		5
		94	Dodge Ram 1500		5
		94	Dodge Ram 2500		5
		94	Dodge Ram 3500		5
		94-02	Dodge Ram 3500, Cab & Chassis		5
		86-93	Dodge Ramcharger		5
		86-93	Dodge W150		5
		86-93	Dodge W250		5
		86-93	Dodge W350		5
87-93	Dodge W350 Cab & Chassis		5		
E4	118319	99-00	Cadillac Escalade		5
		92-94	Chevrolet Blazer Full Size		5
		92-99	Chevrolet Suburban C1500		5
		92-99	Chevrolet Suburban C2500		5
		92-99	Chevrolet Suburban K1500		5
		92-99	Chevrolet Suburban K2500		5
		95-00	Chevrolet Tahoe		5
		92-99	GMC Suburban C1500		5
		92-99	GMC Suburban C2500		5
		92-99	GMC Suburban K1500		5
		92-99	GMC Suburban K2500		5
		92-00	GMC Yukon		5
		99-00	GMC Yukon Denali		5
E8	118323	91-95	Chrysler Town & Country	1	10
		91-95	Dodge Caravan		10
		03-10	Dodge Dakota		10
		91-95	Dodge Grand Caravan		10
		06-09	Mitsubishi Raider		10
		91-95	Plymouth Grand Voyager		10
		91-95	Plymouth Voyager		10
11	RAM Dakota		10		
E13	118325	93-99	Ford Ranger	1	5
		94-09	Mazda B2300		5
		98-01	Mazda B2500		5
		94-08	Mazda B3000		5
		94-09	Mazda B4000		5
E9	118326	92-97	Ford Crown Victoria		20
		94-04	Ford Mustang Except Cobra SVT 99-04		20
		92-97	Mercury Grand Marquis		20
E1	118328	93-94	Dodge Van, B150		5
		95-98	Dodge Van, B1500		5
		93-94	Dodge Van, B250		5
		95-98	Dodge Van, B2500		5
		93-94	Dodge Van, B350		5

PC	PART NO.	YEARS	MAKE/MODEL	WGT LBS	IN
E1	118328	95-98	Dodge Van, B3500		5
E7	118329	95-03	Dodge Dakota	1	5
		95-01	Dodge Ram 1500		5
		95-02	Dodge Ram 2500		5
		95-02	Dodge Ram 3500		5
		95-01	Dodge Ram 4000		5
E7	118331	94-97	Honda Passport		5
		92-97	Isuzu Rodeo		5
E9	118333	96-99	Ford Taurus 4 Dr. Sedan	1	10
		96-99	Mercury Sable Sedan		10
E12	118334	96-00	Chrysler Town & Country	1	20
		96-00	Dodge Caravan		20
		98-03	Dodge Durango		20
		96-00	Dodge Grand Caravan		20
		96-00	Plymouth Grand Voyager		20
		96-00	Plymouth Voyager		20
E10	118335	96-99	Chevrolet Express 1500		20
		96-99	Chevrolet Express 2500		20
		96-99	Chevrolet Express 3500		20
		96-99	GMC Savana 1500		20
		96-99	GMC Savana 2500		20
		96-99	GMC Savana 3500		20
E5	118336	97-03	Acura CL	1	5
		94-01	Acura Integra		5
		01-06	Acura MDX		10
		96-01	Acura RL		5
		96-03	Acura TL		5
		94-02	Honda Accord 4 Dr. Sedan		5
		93-97	Honda Civic Del Sol		5
		97-06	Honda CR-V		10
		03-04	Honda Element		10
		95-04	Honda Odyssey		10
		03-08	Honda Pilot		10
		01	Honda Prelude		5
		96-99	Isuzu Oasis		10
E6	118338	87-95	Chevrolet G10		10
		87-95	Chevrolet G20		10
		87-95	Chevrolet G30		10
		87-95	GMC G1500		10
		87-95	GMC G2500		10
		87-95	GMC G3500		10
E7	118339	96-99	Acura SLX		5
		92-02	Isuzu Trooper		5
E12	118341	96-02	Toyota 4Runner	1	20
E12	118343	92-94	Ford E-150 Econoline	1	10
		92-94	Ford E-250 Econoline		10
		92-94	Ford E-350 Econoline		10
		01-03	Ford Escape		10
		01-03	Mazda Tribute		10
E5	118344	97	Ford Aerostar Extended Body	1	10
		97	Ford Aerostar Standard Body		10
		95-02	Ford E-150 Econoline		10
		95-02	Ford E-250 Econoline		10
		95-02	Ford E-350 Econoline		10
		97-99	Ford Escort 4 Dr. Sedan		10
		98-03	Ford Escort ZX2		10
		00-03	Ford Excursion		10
		97-03	Ford Expedition		10
		01-03	Ford Explorer 2 Dr. Sport		10
		02-03	Ford Explorer 4 Dr.		10
		02-03	Ford Explorer Sport Trac		10
		97-03	Ford F-150 Flareside		10
		04	Ford F-150 Heritage Flareside		10
		00-03	Ford F-150 SuperCrew		10
		00-03	Ford Focus Wagon (Built Before 11/2002)		10
		00-03	Ford Ranger		10
		03-04	Lincoln Aviator		10
		98-03	Lincoln Navigator		10
		02-03	Mercury Mountaineer		10
		97-99	Mercury Tracer 4 Dr. Sedan		10
E16	118345	92-94	Ford E-150 Econoline	2	45
		92-94	Ford E-250 Econoline		45
		92-94	Ford E-350 Econoline		45
		01-03	Ford Escape		45
		95-00	Ford Explorer		45
		01	Ford Explorer 4 Dr.		45
		01-03	Mazda Tribute		45

PC	PART NO.	YEARS	MAKE/MODEL	WGT LBS	IN
E16	118345	97-01	Mercury Mountaineer	2	45
E16	118349	94-98	Jeep Grand Cherokee	1	45
E10	118353	86-94	Nissan D21 (App. starts with 86-1/2)	1	10
		87-95	Nissan Pathfinder		10
E8	118354	97-01	Jeep Cherokee	1	20
E10	118355	97-05	Chevrolet Venture	1	10
		97-04	Oldsmobile Silhouette		10
		99-05	Pontiac Montana		10
		07-09	Pontiac Montana (Canada Only)		10
		97-98	Pontiac Trans Sport		10
E7	118356	97	Jeep TJ (Canada Only)	1	10
		91-97	Jeep Wrangler		10
E7	118357	96-97	Lexus LX450		5
		96-97	Toyota Land Cruiser		5
E10	118358	97-01	Toyota Camry 4 Dr. Sedan	1	5
E4	118359	98-04	Chevrolet S10		5
		98-04	GMC Sonoma		5
		98-00	Isuzu Hombre		5
E17	118360	98-02	Honda Passport	1	15
		98-00	Isuzu Amigo		15
		98-04	Isuzu Rodeo		15
		01-03	Isuzu Rodeo Sport		15
E10	118361	97-03	Infiniti QX4	1	20
		98-01	Nissan Altima		20
		96-04	Nissan Pathfinder		20
E11	118362	98	Mercury Villager	1	5
		98-04	Nissan Frontier		5
		98	Nissan Quest		5
E12	118364	99-04	Chrysler 300M	1	15
		98-02	Chrysler Concorde		15
		98-04	Chrysler Intrepid (Canada Only)		15
		99	Chrysler LHS		15
		98-04	Dodge Intrepid		15
E7	118365	98-99	Lexus LX470	1	5
		98-99	Toyota Land Cruiser		5
E19	118366†	99-03	Ford Windstar (Built Before 11/2002)	2	45
E15	118367	00	Toyota Tundra	1	10
E1	118368	99-00	Dodge Van, Ram 1500		5
		99-00	Dodge Van, Ram 2500		5
		99-00	Dodge Van, Ram 3500		5
E10	118369	99-04	Jeep Grand Cherokee	1	10
E5	118372	98-04	Chevrolet Tracker	1	5
		96-97	GEO Tracker		5
		99-05	Suzuki Grand Vitara		5
		89-98	Suzuki Sidekick		5
		99-04	Suzuki Vitara		5
		02-06	Suzuki XL-7		5
E17	118373†	00-06	Lincoln LS	1	20
E4	118375	00-03	Ford Taurus 4 Dr. Sedan	1	10
		00-03	Mercury Sable Sedan		10
E8	118376	01-03	Chrysler Town & Country	1	15
		01-03	Chrysler Voyager		15
		01-03	Dodge Caravan		15
		01-03	Dodge Grand Caravan		15
E10	118377	00-02	Chevrolet Express 1500	1	10
		00-02	Chevrolet Express 2500		10
		00-02	Chevrolet Express 3500		10
		00-02	GMC Savana 1500		10
		00-02	GMC Savana 2500		10
		00-02	GMC Savana 3500		10
E17	118378	01-02	Toyota Tundra	1	10
E16	118379	89-95	Toyota Pickup Except T-100	1	10
		95-04	Toyota Tacoma (App. starts with 95-1/2)		10
E13	118380	01-06	Mitsubishi Montero Except Montero Sport	1	20
E3	118381	07-08	Chrysler Aspen w/Factory 7-Way		5
		04-08	Chrysler Pacifica w/Factory 7-Way		5
		00-09	Dodge Dakota w/Factory 7-Way		5
		00-08	Dodge Durango w/Factory 7-Way		5
		00-08	Dodge Ram 1500 w/Factory 7-Way		5
		00-09	Dodge Ram 2500 w/Factory 7-Way		5
		00-09	Dodge Ram 3500 w/Factory 7-Way		5
		03-09	Dodge Sprinter 2500 w/Factory 7-Way		5
		03-09	Dodge Sprinter 3500 w/Factory 7-Way		5
		01-03	Dodge Van, Ram 1500		5
		01-03	Dodge Van, Ram 2500		5
		01-03	Dodge Van, Ram 3500		5
		03-09	Freightliner Sprinter 2500 w/Factory 7-Way		5

# T-ONE CONNECTORS

PC	PART NO.	YEARS	MAKE/MODEL	WGT LBS	IN
E3	118381	03-09	Freightliner Sprinter 3500 w/Factory 7-Way		5
		06-10	Jeep Commander w/Factory 7-Way		5
		00-10	Jeep Grand Cherokee w/Factory 7-Way		5
		05-08	Jeep Liberty w/Factory 7-Way		5
		06-09	Mitsubishi Raider w/Factory 7-Way		5
E10	118383	02-07	Buick Rendezvous	1	20
		01-05	Pontiac Aztek		20
E8	118384	08-12	Buick Enclave w/Factory 7-Way	1	5
		04-07	Buick Rainier w/Factory 7-Way		5
		02-21	Cadillac Escalade		5
		03-20	Cadillac Escalade ESV		5
		02-11	Cadillac Escalade EXT w/Factory 7-Way		5
		02-11	Chevrolet Avalanche 1500 w/Factory 7-Way		5
		02-11	Chevrolet Avalanche 2500 w/Factory 7-Way		5
		99-01	Chevrolet Blazer Downsize, w/Factory 7-Way		5
		99-01	Chevrolet Blazer Trailblazer w/Factory 7-Way		5
		04-12	Chevrolet Colorado w/Factory 7-Way		5
		07-13	Chevrolet Silverado 1500		5
		07	Chevrolet Silverado 1500 (Classic), w/Factory 7-Way		5
		07	Chevrolet Silverado 1500 HD (Classic), w/Factory 7-Way		5
		01-06	Chevrolet Silverado 1500 HD w/Factory 7-Way		5
		14-19	Chevrolet Silverado 1500 LD (Old Body Style)		5
		99-06	Chevrolet Silverado 1500 w/Factory 7-Way		5
		07-21	Chevrolet Silverado 2500 HD		5
		07	Chevrolet Silverado 2500 HD (Classic), w/Factory 7-Way		5
		01-06	Chevrolet Silverado 2500 HD w/Factory 7-Way		5
		99-04	Chevrolet Silverado 2500 w/Factory 7-Way		5
		07	Chevrolet Silverado 3500 (Classic), w/Factory 7-Way		5
		07-19	Chevrolet Silverado 3500 HD		5
		01-06	Chevrolet Silverado 3500 w/Factory 7-Way		5
		14-20	Chevrolet Suburban		5
		00-14	Chevrolet Suburban 1500 w/Amber Turn Signals		5
		00-13	Chevrolet Suburban 2500 w/Amber Turn Signals		5
		00-11	Chevrolet Tahoe w/Amber Turn Signals		5
		02-09	Chevrolet TrailBlazer w/Factory 7-Way		5
		09-12	Chevrolet Traverse w/Factory 7-Way		5
		09	Chrysler Aspen w/Factory 7-Way		5
		09-10	Dodge Durango w/Factory 7-Way		5
		09-10	Dodge Ram 1500 w/Factory 7-Way		5
		10	Dodge Ram 2500 w/Factory 7-Way		5
		10	Dodge Ram 3500 w/Factory 7-Way		5
		07-12	GMC Acadia w/Factory 7-Way		5
		04-12	GMC Canyon w/Factory 7-Way		5
		02-09	GMC Envoy w/Factory 7-Way		5
		99-01	GMC Jimmy Downsize, w/Factory 7-Way		5
		07-18	GMC Sierra 1500		5
		07	GMC Sierra 1500 (Classic), w/Factory 7-Way		5
		07	GMC Sierra 1500 HD (Classic), w/Factory 7-Way		5
		01-06	GMC Sierra 1500 HD w/Factory 7-Way		5
		99-06	GMC Sierra 1500 w/Factory 7-Way		5
		07-20	GMC Sierra 2500 HD		5
		07	GMC Sierra 2500 HD (Classic), w/Factory 7-Way		5
		11-12	GMC Sierra 2500 HD Denali HD		5
		01-06	GMC Sierra 2500 HD w/Factory 7-Way		5
		99-04	GMC Sierra 2500 w/Factory 7-Way		5
		07	GMC Sierra 3500 (Classic), w/Factory 7-Way		5
		07-19	GMC Sierra 3500 HD		5
		01-06	GMC Sierra 3500 w/Factory 7-Way		5
		00-16	GMC Yukon w/Amber Turn Signals		5
		00-11	GMC Yukon XL 1500		5
		00-11	GMC Yukon XL 2500		5
		03-09	Hummer H2 w/Factory 7-Way		5
		06-10	Hummer H3 w/Factory 7-Way		5
		09-10	Hummer H3T w/Factory 7-Way		5
		04-12	Infiniti QX56 w/Factory 7-Way		5
		03-08	Isuzu Ascender w/Factory 7-Way		5
		11-20	Jeep Grand Cherokee w/Factory 7-Way		5
		09-12	Jeep Liberty w/Factory 7-Way		5
		09-11	KIA Borrego w/Factory 7-Way		5
		10-11	Lexus GX460 w/Factory 7-Way		5
		05-14	Nissan Armada w/Factory 7-Way		5
		04	Nissan Pathfinder Armada w/Factory 7-Way		5
		04-14	Nissan Titan w/Factory 7-Way		5

PC	PART NO.	YEARS	MAKE/MODEL	WGT LBS	IN
E8	118384	98-04	Oldsmobile Bravada w/Factory 7-Way	1	5
		11-18	RAM 1500 w/Factory 7-Way		5
		11-21	RAM 2500 w/Factory 7-Way		5
		11-18	RAM 3500 w/Factory 7-Way		5
		05-09	Saab 9-7X w/Factory 7-Way		5
		07-09	Saturn Outlook w/Factory 7-Way		5
		10-11	Toyota 4Runner w/Factory 7-Way		5
		09-13	Toyota Tacoma w/Factory 7-Way		5
		10-17	Toyota Tundra w/Factory 7-Way		5
		18-20	Volkswagen Atlas Except Cross Sport, w/Factory 7-Way		5
E17	118385	04-07	Ford Freestar	2	45
		04-07	Mercury Monterey		45
E12	118386	00-02	Toyota Echo	1	20
		03-08	Toyota Matrix		20
E13	118387	03	Toyota Corolla	1	15
E12	118388	96-00	Toyota RAV4	1	20
E12	118389	01-05	Toyota RAV4	1	20
E15	118390	07-09	Chrysler Aspen	2	45
		04-09	Dodge Durango		45
E8	118391	05-06	Chevrolet Equinox	1	10
		06	Pontiac Torrent		10
E5	118392	03-14	Chevrolet Express 1500	1	20
		03-20	Chevrolet Express 2500		20
		03-20	Chevrolet Express 3500		20
		03-14	GMC Savana 1500		20
		03-20	GMC Savana 2500		20
E17	118394	05-06	Jeep Grand Cherokee	1	20
E5	118395	05-07	Ford Five Hundred		10
		05-07	Ford Freestyle		10
E10	118396	05-07	Buick Terraza	1	15
		05-08	Chevrolet Uplander		15
		09	Chevrolet Uplander (Canada Only)		15
		05-06	Pontiac Montana SV6		15
		07-09	Pontiac Montana SV6 (Canada Only)		15
05-07	Saturn Relay		15		
E16	118397	05-09	Hyundai Tucson	1	30
		05-10	Chevrolet Cobalt 4 Dr.	1	10
E8	118398	08	Chevrolet Cobalt Sport 4 Dr.		10
		05-10	Chevrolet Cobalt SS 4 Dr.		10
		05-06	Pontiac Pursuit 4 Dr. (Canada Only)		10
		05-06	Pontiac Pursuit 4 Dr. (Canada Only)		10
E15	118400	06-08	Honda Ridgeline	1	10
E8	118401	05-10	KIA Sportage 6 Cyl.	1	5
		05-08	Dodge Magnum	2	45
E7	118404	05-07	Chrysler 300 Except 300 C	1	10
		08-14	Dodge Challenger		10
		06-10	Dodge Charger		10
E16	118405	14-18	Mazda 3 4 Dr. Sedan	2	45
		14-18	Mazda 3 5 Dr. Hatchback		45
		03-08	Mazda 6 4 Dr. Sedan		45
		04-08	Mazda 6 5 Dr. Hatchback		45
		07-12	Mazda CX-7		45
		07-09	Toyota Camry 4 Dr. Sedan, Except Hybrid		45
		12-20	Toyota Camry Including Hybrid		45
		14-20	Toyota Corolla Except Hatchback		45
		07-14	Toyota FJ Cruiser		45
E14	118406	08-10	Chrysler 300	1	15
		05-07	Chrysler 300 C		15
E5	118407	05-10	Chevrolet Cobalt 2 Dr.	1	15
		08	Chevrolet Cobalt Sport 2 Dr.		15
		05-10	Chevrolet Cobalt SS 2 Dr.		15
		06-11	Chevrolet HHR		15
		08-10	Chevrolet HHR SS		15
		07-09	Pontiac G5 2 Dr.		15
07-09	Pontiac G5 GT 2 Dr.		15		
E16	118408	06-10	Jeep Commander	1	15
		98-06	Jeep TJ (Canada Only)	1	15
E7	118409	98-06	Jeep Wrangler		15
		07-09	Hyundai Entourage	2	45
E19	118410	06-14	KIA Sedona		45
		05-14	Volvo XC90	2	20
E16	118412	06-12	Toyota RAV4	1	45
		08-10	Toyota Sequoia		45
E10	118413	06-11	Hyundai Azera	1	20
		01-07	Toyota Highlander Except Hybrid		20
E12	118414	04-06	Scion xB	1	20



PC	PART NO.	YEARS	MAKE/MODEL	WGT LBS	IN
E12	118415	07-12	Hyundai Santa Fe	1	20
		10-13	KIA Forte 4 Dr. Sedan		20
E5	118416	07-17	Jeep Wrangler Except w/Right Hand Drive & Limited Edition		10
		18	Jeep Wrangler JK Except w/Right Hand Drive & Limited Edition		10
E5	118417	06-13	Chevrolet Impala		10
E16	118418	02-07	Saturn Vue	1	20
E5	118419	06-11	Buick Lucerne	1	10
E14	118420	09-14	Acura TSX 4 Dr. Sedan	1	15
		08-12	Honda Accord Coupe		15
		08-12	Honda Accord Sedan		15
		06-17	Honda Civic 4 Dr. Sedan, Except Hybrid & Si		15
		07-13	Honda Fit		15
		04-13	Mazda 3 4 Dr. Sedan, Except w/Grand Touring LED Taillights		15
		04-13	Mazda 3 5 Dr. Hatchback, Except w/Grand Touring LED Taillights		15
		07-12	Mitsubishi Galant		15
E13	118421	07	Dodge Nitro	1	15
E14	118422	11-13	Ford Fiesta 4 Dr. Sedan	1	30
		06-12	Ford Fusion		30
E12	118423	07-09	Saturn Aura	1	15
E11	118424	07-13	Acura MDX	1	20
E7	118425	07-13	Jeep Grand Cherokee	1	20
E17	118426	05-07	Ford Escape	2	45
		05-06	Mazda Tribute		45
E8	118427	07-11	Honda CR-V	1	20
E18	118428	07	Dodge Caliber	2	45
		07-10	Jeep Compass		45
		07	Jeep Patriot		45
E14	118431	07-10	KIA Rondo	1	15
		11-12	KIA Rondo (Canada Only)		15
		10-19	KIA Soul Except w/LED Taillights		15
E7	118432	07-09	Chevrolet Equinox	1	10
		07-09	Pontiac Torrent		10
		07-09	Suzuki XL-7 w/Factory Tow Package		10
E12	118433	07-10	Hyundai Elantra 4 Dr. Sedan	1	10
		06-09	Hyundai Sonata		10
		09-10	KIA Optima		10
E10	118434	07-09	Saturn Outlook		15
E10	118436	06-07	Honda Accord 2 Dr. Coupe	1	10
E12	118437	06-17	Honda Civic 2 Dr. Coupe, Except Si	1	10
E12	118438	05-10	Honda Odyssey	1	20
E7	118439	08	Chevrolet Malibu Classic LS	1	15
		08	Chevrolet Malibu Classic LT		15
		04-07	Chevrolet Malibu LS 4 Dr. Sedan		15
		04-07	Chevrolet Malibu LT 4 Dr. Sedan		15
		04-07	Chevrolet Malibu Maxx LS		15
		04-07	Chevrolet Malibu Maxx LT		15
		06-07	Chevrolet Malibu SS 4 Dr. Sedan		15
		05-09	Pontiac G6		15
E15	118440	03-07	Cadillac CTS	2	45
		04-07	Cadillac CTS V		45
E11	118441	03-05	Honda Accord 2 Dr. Coupe	1	10
E19	118443	12-15	Chevrolet Captiva Sport	2	45
		08-09	Saturn Vue		45
E19	118444	07-10	Chrysler Sebring	2	45
		07-10	Chrysler Sebring Convertible		45
E19	118445	08-10	Dodge Avenger	2	45
E7	118447	08-09	Ford Taurus 4 Dr. Sedan		10
		08-09	Mercury Sable Sedan		10
E7	118448	08-09	Ford Taurus X		15
E13	118449	08-19	Toyota Highlander	1	20
E7	118450	08-12	Buick Enclave		10
		08-12	Chevrolet Malibu Except LTZ		10
		09-12	Chevrolet Traverse		10
E11	118451	07-12	GMC Acadia	1	15
E10	118453	07-09	KIA Amanti	1	10
		11-20	KIA Optima		10
E19	118454	07-16	Volvo S80 Sedan	2	45
E12	118456	06-12	Suzuki Grand Vitara	2	20
		07-11	Suzuki SX4 Crossover		20
E5	118457	08-11	Ford Focus	1	15
E11	118458	03-08	Pontiac Vibe	1	15
E16	118459	09-13	Toyota Corolla	2	45
E16	118460	09-10	Pontiac Vibe	2	45

PC	PART NO.	YEARS	MAKE/MODEL	WGT LBS	IN
E16	118460	11-13	Scion xB	2	45
		09-13	Toyota Matrix		45
E12	118461	06-07	Subaru B9 Tribeca	1	10
		98-08	Subaru Forester		10
		05-07	Subaru Legacy Wagon		10
		96-99	Subaru Legacy Wagon, Outback		10
		00-09	Subaru Outback Wagon, Except Sport		10
		08-14	Subaru Tribeca		10
E19	118462	01-10	Chrysler PT Cruiser	2	45
		05-10	Chrysler PT Cruiser Convertible		45
E15	118463	08-10	Volvo V70 Wagon, Except w/Optional Power Operated Tailgate	2	45
E17	118464	08-11	Subaru Impreza 4 Dr. Sedan	2	45
E14	118465	07-11	Honda Element	1	45
E15	118466	08-13	Cadillac CTS 4 Dr. Sedan	1	15
E11	118467	16-21	Subaru Crosstrek Except Hybrid	1	15
		09-21	Subaru Forester		15
		10-20	Subaru Outback Wagon, Except Sport		15
		13-15	Subaru XV Crosstrek Except Hybrid		15
E18	118468	08-10	Scion xB	2	45
E16	118469	04-09	Nissan Quest	1	45
E17	118470	08-13	Nissan Altima Coupe	2	45
		07-20	Nissan Altima Sedan		45
		04-14	Nissan Maxima		45
		07-12	Nissan Sentra		45
E18	118471	11-13	Ford Fiesta 5 Dr. Hatchback	2	45
		09-12	Lincoln MKS		45
E8	118472	09-20	Ford Flex	1	15
E11	118473	09-12	Hyundai Elantra Touring 5 Dr.	1	15
		01-06	Hyundai Santa Fe		15
E18	118474	09	Dodge Journey	2	45
E12	118475	08-11	Suzuki SX4 Sport Sedan	1	20
E15	118476	09-11	Hyundai Genesis 4 Dr. Sedan	1	15
E17	118478	04-06	Lexus RX330	2	45
		07-12	Lexus RX350		45
E9	118479	05-09	Buick LaCrosse	1	10
E15	118480	07-08	Infiniti G35 4 Dr. Sedan	2	45
		09-13	Infiniti G37 4 Dr. Sedan		45
		08-13	Nissan Rogue Except Krom		45
		14-20	Nissan Rogue Except Sport		45
		14	Nissan Rogue Select		45
E17	118482	14-20	Mitsubishi Outlander Except Outlander Sport or PHEV	2	45
		11-12	Toyota Avalon		45
		10-11	Toyota Camry 4 Dr. Sedan, Except Hybrid		45
		07-11	Toyota Camry Hybrid 4 Dr. Sedan		45
		09-16	Toyota Venza		45
E19	118483	09-13	Mazda 6 4 Dr. Sedan	2	45
E13	118484	07-10	Scion tC	1	15
E13	118485	04-06	Chevrolet Aveo 4 Dr. Sedan	1	15
		04-11	Chevrolet Aveo 5 Dr. Hatchback		15
		09	Pontiac G3 5 Dr.		15
E17	118486	10-11	Chevrolet Camaro	1	15
E16	118487	10-20	Ford Mustang	2	45
E16	118488	07-12	Lexus ES350	2	45
E11	118489	04-08	Acura TL	1	10
E7	118490	09-12	Volkswagen Routan	1	20
E15	118491	09-11	Honda Pilot	1	20
		09-14	Honda Ridgeline		10
E15	118492	09-12	Nissan Cube	1	45
E16	118494	10-17	Chevrolet Equinox	2	45
		10-17	GMC Terrain		45
E8	118495	10	Dodge Journey	1	10
E13	118496	08-12	Toyota Hilux	1	10
		93-98	Toyota T100		10
		05-15	Toyota Tacoma		10
E18	118497	10-16	Buick LaCrosse	2	45
E18	118498	11-14	Toyota Sienna	2	45
		15-20	Toyota Sienna SE		45
E11	118500	07-12	Acura RDX	1	15
		10-11	Honda Accord Crosstour		15
		12	Honda Crosstour		15
E18	118501	10-18	Hyundai Tucson	1	45
E17	118502	07-09	Lincoln MKZ	2	45
		06	Lincoln Zephyr		45
		06-11	Mercury Milan		45
E13	118503	10-13	Acura ZDX	1	30

# T-ONE CONNECTORS

PC	PART NO.	YEARS	MAKE/MODEL	WGT LBS	IN
E18	118504	11-13	Buick Regal	2	45
E16	118505	04-15	Toyota Prius All Styles (Including Plug-In)	1	25
E23	118506	11-13	KIA Sorento Base I4	2	45
		11-13	KIA Sorento EX I4	45	
		11-13	KIA Sorento EX V6, Except w/Factory Tow Package	45	
		11-13	KIA Sorento LX I4	45	
		11-13	KIA Sorento LX V6	45	
E18	118507	10-14	Lincoln MKT	2	45
E19	118508	11-15	Chevrolet Cruze	2	45
		16-18	Chevrolet Cruze Limited Only (Old Body Style)	45	
E24	118509	04-10	Volkswagen Touareg	2	45
E17	118510	10-12	Lexus HS250h Hybrid	2	20
E14	118511	10-14	Subaru Legacy Sedan	2	45
E5	118512	00-05	Chevrolet Impala	1	25
E12	118514	07-11	Chevrolet Aveo 4 Dr. Sedan	1	25
E21	118515	11-14	Ford Edge	2	45
E12	118516	04-11	Mitsubishi Endeavor	2	30
E18	118517	07-11	Toyota Yaris 4 Dr. Sedan	2	45
E18	118518	07-13	Mitsubishi Outlander Except Outlander Sport or PHEV	1	45
E23	118519	11-15	Lincoln MKX	2	45
E17	118520	11-14	Mazda 2	2	45
		06-20	Mazda 5	45	
		07-15	Mazda CX-9	45	
E17	118521	11-17	Honda Odyssey	1	30
E16	118522	10-12	Hyundai Genesis 2 Dr. Coupe	2	45
E20	118524	02-07	Jeep Liberty	2	45
E14	118525	05-21	Nissan Frontier	1	30
		05-07	Nissan Pathfinder	30	
		08-12	Nissan Pathfinder Except w/Factory 4-Flat	30	
		05-15	Nissan Xterra	30	
		09-12	Suzuki Equator	30	
E25	118526	11-16	KIA Sportage	2	45
E17	118528	11-17	Nissan JUKE	2	45
E22	118530	07-10	Volkswagen Passat Wagon	2	45
E16	118532	13-14	Hyundai Elantra 2 Dr. Coupe	2	45
		11-13	Hyundai Elantra 4 Dr. Sedan	45	
E18	118534	11-16	Chrysler Town & Country	2	45
		11-20	Dodge Grand Caravan	45	
		12-15	RAM C/V Tradesman	45	
E16	118535	06-11	Cadillac DTS	2	45
E17	118536	11-20	Dodge Journey w/LED Taillights	2	45
E19	118537	09-14	Acura TL	2	45
E16	118538	12-17	Mitsubishi Lancer 4 Dr. Sedan, Except Evolution, Ralliart & w/Dual Exhaust	2	45
		10-14	Mitsubishi Lancer 5 Dr. Hatchback, Except Ralliart & w/Dual Exhaust	45	
		11-20	Mitsubishi Outlander Sport Except PHEV	45	
		11-20	Mitsubishi RVR (Canada Only)	45	
E20	118539	11-17	Jeep Compass (Old Body Style)	2	45
E11	118540	11-19	Ford Explorer	1	5
E21	118543	10-12	Lincoln MKZ	2	45
E17	118545	07-12	Nissan Versa 5 Dr. Hatchback	2	45
E20	118546	12-19	FIAT 500	2	45
E19	118547	11-17	Nissan Quest	1	45
E16	118548	16-19	Ford Focus RS	2	45
		12-19	Ford Focus Sedan	45	
E18	118549	13-14	Ford Focus 5 Dr. Hatchback	2	45
		12-14	Ford Focus 5 Dr. Hatchback, Except ST w/Center Exhaust	45	
E18	118550	11	Chrysler 200 4 Dr. Sedan	2	45
		11	Chrysler 200 Convertible	45	
		11	Dodge Avenger	45	
E17	118551	08-14	Ford E-150 Econoline	2	45
		08-14	Ford E-250 Econoline	45	
		08-14	Ford E-350 Econoline Super Duty	45	
		07-10	Ford Edge	45	
		08-12	Ford Escape	45	
		07-10	Lincoln MKX	45	
		08-11	Mazda Tribute	45	
		05-11	Mercury Mariner	45	
E18	118552	08-10	Chrysler Town & Country	2	45
		08-12	Dodge Caliber	45	
		11-13	Dodge Durango	45	
		08-10	Dodge Grand Caravan	45	
		08-17	Jeep Patriot	45	
E17	118553	12-20	Nissan NV1500	2	45

PC	PART NO.	YEARS	MAKE/MODEL	WGT LBS	IN
E17	118553	12-20	Nissan NV2500	2	45
		12-20	Nissan NV3500	45	
E19	118554	07-11	Dodge Nitro	2	45
		08-12	Jeep Liberty	45	
E16	118556	12-15	Chevrolet Camaro	1	30
E16	118557	10	Hyundai Sonata	2	45
		11-14	Hyundai Sonata Except Hybrid	45	
E25	118558	12-15	Honda Pilot	1	30
E16	118559	12-17	Hyundai Accent 4 Dr. Sedan	2	45
E19	118560	11-14	Dodge Charger	1	25
E17	118561	12-16	Honda CR-V	1	45
E25	118562	06-10	Volkswagen Passat 4 Dr. Sedan	2	45
E19	118563	13-16	Mazda CX-5	2	45
E17	118564	12-19	Buick Verano	2	45
E16	118565	12	Chevrolet Orlando (Canada Only)	2	45
E18	118566	13-19	Ford Escape	2	45
E14	118567	12-20	Dodge Journey Except w/LED Taillights	2	45
E16	118568	13-16	Dodge Dart	2	25
E14	118569	13-18	Acura RDX	1	15
E16	118570	12-17	KIA Rio 4 Dr. Sedan	2	45
		12-17	KIA Rio 5 Dr. Hatchback	45	
E18	118571	13-18	Hyundai Santa Fe Sport (5 Passenger)	2	45
E27	118572	11-14	Volkswagen Jetta 4 Dr. Sedan	2	45
		15-18	Volkswagen Jetta 4 Dr. Sedan, Except Hybrid & TDI	45	
E19	118573	12-16	Subaru Impreza 5 Dr. Wagon, Except WRX STi	2	45
E16	118574	13-20	Ford Fusion	2	45
E19	118575	13-15	Chevrolet Spark	1	45
E16	118576	13	Chevrolet Malibu Except LTZ & Canada Models	2	45
E17	118577	12-14	Chrysler 200 4 Dr. Sedan	2	45
		12-14	Chrysler 200 Convertible	45	
		12-14	Dodge Avenger	45	
E16	118578	13-18	Toyota Avalon	2	45
		13-18	Toyota RAV4	45	
E15	118580	13-20	Cadillac ATS	2	25
E15	118581	12-16	Subaru Impreza 4 Dr. Sedan, Except WRX & WRX STi	1	45
E16	118582	13-20	Nissan Sentra	2	45
		14-20	Nissan Versa Note	45	
E16	118583	14-20	KIA Sorento w/ I4 Engine	2	45
E26	118585	10-13	Ford Transit Connect	2	45
E15	118586	13-17	Honda Accord Coupe, w/LED Taillights	2	45
		13-15	Honda Accord Sedan, w/LED Taillights	45	
E17	118587	14-20	Mazda 6 4 Dr. Sedan	2	45
E16	118588	13-16	Buick Encore	2	45
E14	118590	14-20	Chevrolet Impala Except Impala Limited	1	45
E17	118591	13-19	Lincoln MKZ	2	45
E17	118592	13-20	Lexus ES300h Hybrid	2	45
		13-18	Lexus ES350	45	
E16	118593	09-12	Infiniti FX35	2	45
		13	Infiniti FX37	45	
		09-13	Infiniti FX50	45	
E15	118594	14-18	KIA Forte 4 Dr. Sedan	2	45
E15	118595	12-17	Hyundai Azera	2	45
E16	118596	13-17	Honda Accord Coupe, Except w/LED Taillights	2	45
		13-15	Honda Accord Sedan, Except w/LED Taillights	45	
E17	118597	15-20	Chevrolet City Express	1	45
		13-20	Nissan NV200	45	
E17	118598	13-14	Lexus GS350	2	45
		13	Lexus GS450h	45	
E15	118599	20-21	Ford Explorer	2	45
		10-20	Ford Taurus 4 Dr. Sedan	45	
		13-16	Lincoln MKS	45	
E16	118600	11-14	Chrysler 300	1	25
		11-14	Chrysler 300 C	25	
E17	118602	16-19	Chevrolet Malibu Limited LTZ, Except Canada Models (Old Body Style)	2	45
		13-15	Chevrolet Malibu LTZ Except Canada Models	45	
E18	118604	13	Chevrolet Malibu (Canada Only), Except LTZ	2	45
		14-15	Chevrolet Malibu Except LTZ	45	
		16-19	Chevrolet Malibu Limited, Except LTZ (Old Body Style)	45	
E18	118605	14-18	Jeep Cherokee	2	45
E16	118609	09-13	Lexus IS250	2	45
		09-14	Lexus IS350	45	
E13	118610	12-20	Toyota Prius V	2	45
E15	118611	14-20	FIAT 500L	2	25
E14	118613	14-21	Ford Transit Connect	1	45
E18	118615	14	Scion tC	2	45

PC	PART NO.	YEARS	MAKE/MODEL	WGT LBS	IN
E16	118617	14-21	Dodge Durango	2	45
E18	118618	14-21	RAM ProMaster 1500 All Models	2	45
		14-21	RAM ProMaster 2500 All Models		45
		14-21	RAM ProMaster 3500 All Models		45
E1	118624	12-14	Land Rover Range Rover Evoque	2	10
E16	118626	14-20	Acura RLX	2	45
E18	118627	13-20	Acura ILX	2	45
E11	118628	14-20	Acura MDX	2	20
E16	118629	13-16	Scion FR-S	2	45
		13-20	Subaru BRZ		45
		17-20	Subaru Impreza Sedan, Except WRX & WRX STi		45
E17	118637	10-19	KIA Soul w/LED Taillights	2	45
E15	118638	15-18	Chrysler 200 4 Dr. Sedan	2	45
E18	118639	14-17	Buick Regal	2	45
E19	118640	12-18	Chevrolet Sonic 4 Dr. Sedan	2	45
		12-18	Chevrolet Sonic 5 Dr. Hatchback		45
E15	118641	14-19	Ford Fiesta 5 Dr. Hatchback	1	45
E11	118642	13-15	Honda Crosstour	2	15
E16	118643	15-20	Ford Transit-150	2	45
		15-20	Ford Transit-250		45
		15-20	Ford Transit-350 Single Rear Wheel w/148" Wheelbase		45
E15	118644	15-17	Hyundai Sonata Except Hybrid	2	45
E15	118645	14-20	Cadillac CTS 4 Dr. Sedan	1	45
E20	118646	15-20	Volkswagen Golf Except Sportwagen and R Models	2	45
		12-19	Volkswagen Passat		45
E16	118647	15-20	Volvo V60 (App. starts with 2015-1/2)	2	45
E16	118648	15-20	Toyota Sienna Except SE	2	45
E19	118649	14-20	Freightliner Sprinter 2500	2	45
		14-20	Freightliner Sprinter 3500		45
		14-20	Mercedes-Benz Sprinter 2500		45
		14-20	Mercedes-Benz Sprinter 3500		45
E17	118650	07-09	Dodge Sprinter 2500	2	45
		07-09	Dodge Sprinter 3500		45
		07-13	Freightliner Sprinter 2500		45
		07-13	Freightliner Sprinter 3500		45
		07-09	Mercedes-Benz Sprinter		45
		10-13	Mercedes-Benz Sprinter 2500		45
		10-13	Mercedes-Benz Sprinter 3500		45
E26	118651	15-20	Jeep Renegade	2	45
E17	118652	15-20	Lexus NX200t	2	45
		15-20	Lexus NX300h		45
E15	118653	09-14	Nissan Murano Except CrossCabriolet	1	20
E16	118654	12-20	Ford Ranger	2	45
E15	118655	15-20	Dodge Charger		30
E16	118656	15-20	Dodge Challenger	1	30
E15	118658	15-20	Chrysler 300	3	20
E16	118659	13-20	Chevrolet Trax	2	45
		17-21	Chevrolet Trax LS		45
E15	118660	15-20	Nissan Murano Except CrossCabriolet	1	20
E16	118661	15-20	Toyota Yaris	1	45
E14	118663	11-19	Hyundai Sonata Hybrid	1	45
E22	118667	05-10	Volkswagen Jetta 4 Dr. Sedan	2	45
E18	118668	11-17	Volkswagen Touareg	2	45
E16	118669	15-18	Ford Edge Except Sport & Titanium Models	2	45
E20	118670	14-21	Infiniti QX60	1	30
		13-20	Nissan Pathfinder		30
E15	118671	15-18	Subaru Legacy	2	45
E15	118672	14-20	Infiniti Q50	2	45
E14	118673	16-20	Honda HR-V	2	45
E18	118674	15-19	Ford Focus 5 Dr. Hatchback, Except RS	2	45
E20	118675	12-17	Volkswagen Tiguan	2	45
		18-20	Volkswagen Tiguan Limited		45
E15	118676	16-21	Nissan Maxima	2	45
E16	118677	15-18	Ford Edge Titanium and Sport Models Only	2	45
E15	118678	16	Hyundai Elantra 4 Dr. Limited Models Only	2	45
E13	118680	12-20	Toyota Prius C		25
E1	118681	14-20	Land Rover Range Rover Sport		10
		15-20	Land Rover Range Rover w/Factory Tow Package		10
E18	118682	17-20	Lincoln Continental	2	45
		16-18	Lincoln MKX		45
E14	118683	17-21	Volvo S90	1	20
		16-21	Volvo XC90		20
E16	118684	16-17	Honda Accord Sedan	2	45
E21	118685	16-21	Toyota Tacoma	2	45
E19	118686	16-19	Honda Civic Sedan	2	45
E16	118687	15-20	Land Rover Discovery Sport	2	45

PC	PART NO.	YEARS	MAKE/MODEL	WGT LBS	IN
E17	118688	12-20	Volkswagen Beetle	2	45
E17	118689	16-21	Chevrolet Malibu Except Premier (New Body Style)	2	45
E17	118690	16-18	Chevrolet Camaro	2	45
E15	118692	17-20	Hyundai Elantra 4 Dr. Except Limited Models	2	45
		13-20	Hyundai Elantra GT Except for Korean Manufactured Vehicles		45
E24	118693	16-20	FIAT 500X	2	45
E18	118694	16-21	Chevrolet Spark	2	45
E17	118695	16-17	Honda Accord Coupe	2	45
E14	118696	16-19	Chevrolet Cruze (New Body Style)	2	45
E18	118697	16-19	Acura TLX	2	45
E17	118698	17-21	KIA Sportage	2	45
E17	118701	16-19	Toyota Prius Except Prius Prime	2	45
E15	118711	17-20	Hyundai Elantra 4 Dr. Limited Models	2	45
E15	118712	17-20	Chrysler Pacifica Limited	2	45
		17-20	Chrysler Pacifica Touring L		45
		17-20	Chrysler Pacifica Touring L Plus		45
		17-20	Chrysler Pacifica Touring Plus		45
E23	118713	16-18	BMW 320i	2	45
		16-17	BMW 320i xDrive		45
		16	BMW 328d		45
		16	BMW 328d xDrive		45
		16	BMW 328i		45
		16	BMW 328i GT xDrive		45
		16	BMW 328i xDrive		45
		16	BMW 330e		45
		16-20	BMW 330i		45
		16-20	BMW 340i		45
		16-20	BMW 340i xDrive		45
E16	118714	13-18	Volkswagen CC	2	45
E17	118715	17-18	Ford Escape	2	45
E23	118717	16-20	BMW X1	2	45
E14	118718	16-20	Mazda CX-3	2	45
E18	118719	15-20	RAM ProMaster City	2	45
E20	118721	17-19	Volkswagen Passat	2	45
		16-20	Volkswagen Passat Except SE & SEL		45
E18	118722	15-20	Ford Transit-350 Except Single Rear Wheel w/148" Wheelbase	3	45
E18	118723	17-20	Chrysler Pacifica LX	2	45
		17-20	Chrysler Pacifica Touring		45
E19	118724	16	Honda Civic Coupe	2	45
E5	118725	16-20	Buick Envision		15
E17	118726	17-19	Chevrolet Volt	2	45
E18	118727	14-21	Jeep Grand Cherokee	2	45
E15	118728	16	Scion iA	2	45
		17-20	Toyota Yaris iA		45
E16	118729	16	Scion iM	2	45
		19	Toyota Corolla Hatchback		45
		17-20	Toyota Corolla iM		45
E17	118730	17-20	Volkswagen Golf Alltrack	1	45
		16-20	Volkswagen Golf SportWagen		45
E15	118731	16-20	Nissan Altima Sedan	16	45
E17	118732	16-20	Cadillac CT6	1	25
E15	118733	17-20	Buick LaCrosse	2	45
E23	118734	17-19	Chevrolet Cruze Hatchback	2	45
E15	118736	17-20	Infiniti QX30	2	45
E13	118738	17-20	Genesis G80	2	25
		15-16	Hyundai Genesis Sedan		25
E15	118739	10-17	Volvo XC60	2	45
E15	118740	16-20	Chevrolet Malibu Premier (New Body Style)	2	45
E11	118741	17-20	Honda CR-V	1	30
E20	118742	16-19	Volkswagen Passat SE & SEL Only	2	45
E24	118743	15-19	BMW X5	2	45
E17	118744	17-20	Subaru Impreza Hatchback	2	45
E16	118745	17-21	Buick Encore Except Encore GX	2	45
E15	118746	17-20	Mazda CX-5	2	45
E16	118747	17-20	Mercedes-Benz GLC250 SUV, Except P03 Premium Package	2	45
		16-20	Mercedes-Benz GLC300 SUV, Except P03 Premium Package		45
		18-20	Mercedes-Benz GLC350e SUV, Except P03 Premium Package		45
		17-20	Mercedes-Benz GLC43 AMG SUV, Except P03 Premium Package		45
		18-20	Mercedes-Benz GLC63 AMG S SUV, Except P03 Premium Package		45

# T-ONE CONNECTORS

PC	PART NO.	YEARS	MAKE/MODEL	WGT LBS	IN
E16	118747	18-20	Mercedes-Benz GLC63 AMG SUV, Except P03 Premium Package	2	45
E15	118749	17-20	KIA Niro Except Plug-In-Hybrid	2	45
E17	118750	18-21	Chevrolet Equinox Except Premier	2	45
E16	118751	17-20	Chevrolet Trax Except LS	2	45
E20	118752	17-21	Jeep Compass (New Body Style)	2	45
E13	118753	18-21	Honda Odyssey Without Fuse Provisions	2	25
E19	118754	18-21	Volkswagen Atlas Except Cross Sport	2	45
E17	118755	17-18 17-19	Chevrolet Sonic 4 Dr. Sedan Chevrolet Sonic 5 Dr. Hatchback	2 2	45 45
E17	118756	18-20	Toyota C-HR	2	45
E15	118757	17-19	Nissan Rogue Sport	2	45
E14	118758	17-20	Hyundai Ioniq	2	45
E15	118759	18-20	Chevrolet Equinox Premier	2	45
E17	118760	16-20	Honda Pilot	1	20
E4	118761	18-21	Buick Enclave Chevrolet Traverse	20 20	20 20
E15	118762	18-19	Hyundai Sonata	2	45
E15	118763	18-19	Toyota Camry	2	45
E17	118764	18-21	GMC Terrain Without Relay Provisions	2	45
E14	118766	14-19	Ford Fiesta 4 Dr. Sedan	1	45
E23	118767	14-20	Honda Fit	2	45
E15	118768	18-20	Subaru WRX	2	45
E15	118769	14-20 17-20 17-20	Mitsubishi Mirage Mitsubishi Mirage Except Mirage G4 Mitsubishi Mirage G4	1 45 45	45 45 45
E15	118770	14-18	Volvo S60 Sedan	2	45
E15	118771	13-17	Hyundai Accent 5 Dr. Hatchback	1	45
E17	118772	14-20	FIAT 500L	2	45
E16	118773	18-20	Volvo XC60	2	45
E17	118774	08-16	Volvo XC70	2	20
E17	118775	06-07	Nissan Murano	2	45
E15	118776	18-20	Honda Accord	2	45
E27	118777	18-20	Alfa Romeo Stelvio	2	45
E10	118778	17-20	Honda Ridgeline	1	20
E17	118779	19-21	Jeep Cherokee	2	45
E18	118780	18-20	KIA Stinger	2	45
E11	118781	18-21	Honda Odyssey With Fuse Provisions	1	20
E16	118783	18-20 18-20	Buick Regal Sportback Buick Regal TourX	2 45	45 45
E11	118784	20-21 19-20 20-21	Hyundai Palisade Hyundai Santa Fe Except XL Models KIA Telluride	1 15 15	15 15 15
E16	118785	17-20 18-20	Jaguar F-Pace Land Rover Range Rover Velar	2 45	45 45
E21	118786	20-21 18-21	Jeep Gladiator Jeep Wrangler JL (New Body Style)	2 45	45 45
E19	118787	18-20	Volkswagen Golf R	2	45
E17	118788	18-20	Jaguar E-Pace	2	45
E21	118789	18-20	BMW X2	2	45
E10	118790	19-21	Subaru Ascent	1	15
E22	118791	19-20	Volkswagen Jetta	2	45
E15	118792	19-20	Volvo XC40	2	45
E16	118793	18-20	KIA Rio Sedan	2	45
E19	118794	18-20	Nissan Kicks	2	45
E3	118795	19-21	Cadillac XT4	2	15
E18	118796	19-20	Infiniti QX50	2	45
E16	118798	19	Toyota Avalon	2	45
E12	118800	19-20	Acura RDX With +12V Power Provision	1	25
E16	118801	19-21	Toyota RAV4	2	45
E17	118802	19	Ford Escape	2	45
E23	118803	19-20	Lincoln Nautilus	2	45
E13	118804	19-20	Acura RDX Without +12V Power Provision	1	45
E20	118805	19-20	Ford Edge Except Titanium Models	2	45
E19	118806	19-20	Ford Edge Titanium Model Only	2	45
E16	118808	19-20 19-20	Mazda 3 Hatchback Mazda 3 Sedan	2 45	45 45
E14	118809	19-21	Honda Passport	2	25
E17	118810	20	Toyota Corolla Sedan	2	45
E17	118811	18-20	Volkswagen Tiguan	2	45
E21	118812	19-21	Hyundai Tucson	2	45
E19	118813	20-21	KIA Soul Except w/LED Taillights	2	45
E25	118814	19-21	KIA Forte Sedan	2	45
E18	118815	19-20	Volkswagen Arteon	2	45
E18	118816	20	Ford Escape	2	45
E18	118817	20	Lincoln Aviator	2	10
E22	118818	20-21	Hyundai Venue	2	45

PC	PART NO.	YEARS	MAKE/MODEL	WGT LBS	IN
E17	118819	20	Hyundai Sonata	2	45
E21	118822	20	Mazda CX-30	2	45
E23	118823	18-21	BMW X3	2	45
E16	118824	21	Toyota Sienna	2	30
E26	118825	21	Chevrolet Trailblazer	2	45
E22	118826	20	Land Rover Range Rover Evoque	2	45
E15	118827	20	Toyota Highlander	2	30
<b>TOW HARNESS</b>					
E1	118240	96-03 96-03 96-03 96-03 96-03	Chevrolet Express 1500 w/Factory Tow Package Chevrolet Express 2500 w/Factory Tow Package Chevrolet Express 3500 w/Factory Tow Package GMC Savana 1500 w/Factory Tow Package GMC Savana 2500 w/Factory Tow Package GMC Savana 3500 w/Factory Tow Package		5 5 5 5 5 5
E3	118241	95-01 98-99 98-01 98-01 98-01 97-01	Ford Explorer w/Factory Tow Package Ford Ranger w/Factory Tow Package Mazda B2500 w/Factory Tow Package Mazda B3000 w/Factory Tow Package Mazda B4000 w/Factory Tow Package Mercury Mountaineer w/Factory Tow Package		5 5 5 5 5 5
E19	118242	04 97-03 97-99	Ford F-150 Heritage w/Factory 4-Flat Ford F-150 w/Factory 4-Flat Ford F-250 Styleside, w/Factory 4-Flat	1	5 5 5
E15	118243	99-01 99-01 99-01 99-01	Ford F-250 Super Duty w/Factory 4-Flat Ford F-350 Super Duty w/Factory 4-Flat Ford F-450 Super Duty w/Factory 4-Flat Ford F-550 Super Duty w/Factory 4-Flat	1	5 5 5 5
E1	118244	00-04	Nissan Xterra w/Factory Tow Package		5
E3	118245	01-07 08-11 01-03 01-02 01-03 01-02	Lexus LX470 Lexus LX570 Lexus RX300 Toyota 4Runner Toyota Highlander Toyota Land Cruiser		10 10 10 10 10 10
E1	118246	01-02	Toyota Sequoia		5
E19	118247	04	Ford F-150 w/Factory 4-Flat	1	5
E10	118248	04-07	Toyota Highlander	1	20
E12	118249	07-12	Mazda CX-7 w/Factory Tow Package	1	5
E2	118251	08-12 08-11 08-11	Ford Escape Except Vehicles w/Back Up Sensors Mazda Tribute Mercury Mariner	1	5 5 5
E3	118252	10-20 18-20 10-18	Lexus RX350 Prepped With Factory Tow Plug (See Instructions Prior to Installation) Lexus RX350L Prepped With Factory Tow Plug (See Instructions Prior to Installation) Lexus RX450h Hybrid, Prepped With Factory Tow Plug (See Instructions Prior to Installation)		5 5 5
E22	118253	09-11 09-14	Honda Pilot Honda Ridgeline	1	20 10
E13	118255	10-18 18 10-18	Lexus RX350 Prepped With Factory Tow Plug (See Instructions Prior to Installation) Lexus RX350L Prepped With Factory Tow Plug (See Instructions Prior to Installation) Lexus RX450h Hybrid	1	20 20 20
E14	118258	07-12	Hyundai Santa Fe w/Factory Tow Package		25
E3	118259	10-16	Cadillac SRX w/Factory Tow Package		5
E3	118260	09-12 09-12 09-12	Ford E-150 Econoline w/Factory 4-Flat (Prepped Class I Towing Package) Ford E-250 Econoline w/Factory 4-Flat (Prepped Class I Towing Package) Ford E-350 Econoline Super Duty w/Factory 4-Flat (Prepped Class I Towing Package)		10 10 10
E14	118261	09-12 09-12 09-12	Ford E-150 Econoline w/Factory 7-Way (Prepped Class II Towing Package) Ford E-250 Econoline w/Factory 7-Way (Prepped Class II Towing Package) Ford E-350 Econoline Super Duty w/Factory 7-Way (Prepped Class II Towing Package)	1	10 10 10
E12	118262	10-14 10-11	Lexus GX460 Toyota 4Runner	1	10 10
E3	118263	05-20 05-07 05-15 09-12	Nissan Frontier w/Factory Tow Package Nissan Pathfinder Nissan Xterra w/Factory Tow Package Suzuki Equator w/Factory Tow Package		5 5 5 5
E1	118264	10-17 10-17	Chevrolet Equinox w/Factory Tow Package GMC Terrain w/Factory Tow Package		15 15
E30	118265	12-15	Honda Pilot	2	30

PC	PART NO.	YEARS	MAKE/MODEL	WGT LBS	IN
E21	118266	05-20	Nissan Frontier	1	30
		05-07	Nissan Pathfinder		30
		08-12	Nissan Pathfinder Except w/Factory 4-Flat		30
		05-15	Nissan Xterra		30
		09-12	Suzuki Equator		30
E9	118267	05-20	Nissan Frontier w/Factory Tow Package	1	5
		05-07	Nissan Pathfinder		5
		08-12	Nissan Pathfinder Except w/Factory 4-Flat		5
		05-15	Nissan Xterra w/Factory Tow Package		5
		09-12	Suzuki Equator w/Factory Tow Package		5
E13	118269	13-18	Hyundai Santa Fe (6/7 Passenger)	1	20
		14-18	Hyundai Santa Fe Sport (5 Passenger) w/Factory Tow Package		20
		13-18	Hyundai Santa Fe Sport w/Factory Tow Package (5 Passenger)		20
		19	Hyundai Santa Fe XL w/Factory Tow Package		20
		07-12	Hyundai Veracruz		20
		15-21	KIA Sedona		20
		11-13	KIA Sorento EX V6, w/Factory Tow Package		20
		11-13	KIA Sorento LX V6		20
		11-13	KIA Sorento LX V6 w/Factory Tow Package		20
		11-13	KIA Sorento SX V6		20
		14-20	KIA Sorento w/ V6 Engine		20
		07-09	KIA Sorento w/Factory Tow Package		20
		E10	118270	13-17	Buick Enclave
13-17	Chevrolet Traverse				20
13-16	GMC Acadia				20
17	GMC Acadia Limited				20
E16	118271	13-17	Buick Enclave	1	20
		13-17	Chevrolet Traverse		20
		13-16	GMC Acadia		20
		17	GMC Acadia Limited		20
E15	118272	11-19	Ford Explorer	1	20
E23	118273	14-20	Infiniti QX60	2	30
		13-20	Nissan Pathfinder		30
E8	118275	14-20	Land Rover Range Rover Sport	1	20
		15-20	Land Rover Range Rover w/Factory Tow Package		20
E9	118276	17-20	Cadillac XT5	1	10
		19-20	Chevrolet Blazer		10
		17-20	GMC Acadia		10
E12	118277	16-20	Mitsubishi Outlander Except Outlander Sport or PHEV	1	25
E9	118278	16-20	Mazda CX-9 w/Factory Tow Package	1	25
E21	118281	05-20	Nissan Frontier (Canada Only)	2	30
		05-07	Nissan Pathfinder (Canada Only)		30
		08-12	Nissan Pathfinder Except w/Factory 4-Flat (Canada Only)		30
		05-15	Nissan Xterra (Canada Only)		30
		09-12	Suzuki Equator (Canada Only)		30
E9	118282	05-20	Nissan Frontier w/Factory Tow Package (Canada Only)	2	5
		05-07	Nissan Pathfinder (Canada Only)		5
		08-12	Nissan Pathfinder Except w/Factory 4-Flat (Canada Only)		5
		05-15	Nissan Xterra w/Factory Tow Package (Canada Only)		5
		09-12	Suzuki Equator w/Factory Tow Package (Canada Only)		5
E15	118283	15-20	Ford F-150	2	25
E14	118284	15-19	Lincoln MKC	2	45
E6	118285	18-20	Chevrolet Equinox w/ Tow Prep Package		15
		18-20	GMC Terrain w/ Tow Prep Package		15
E21	118286	16-20	Honda Pilot	2	30
E9	118287	18-20	Buick Enclave	2	15
		18-20	Chevrolet Traverse		15
E14	118288	17-20	Honda Ridgeline	2	20
E23	118289	14-20	Acura MDX	2	30
E30	118290	19-20	Subaru Ascent	2	45
E25	118291	19-20	Honda Passport	2	25
E3	118292	20	Toyota Highlander With Tow Package Only		20
E8	118720	17-21	Cadillac XT5		10
		20-21	Cadillac XT6		10
		19-21	Chevrolet Blazer		10
		17-21	GMC Acadia		10
		20135	07-08	Chrysler Aspen w/Factory 7-Way	1
	04-08	Chrysler Pacifica w/Factory 7-Way		10	
	00-09	Dodge Dakota w/Factory 7-Way		10	
	00-08	Dodge Durango w/Factory 7-Way		10	
	00-08	Dodge Ram 1500 w/Factory 7-Way		10	

PC	PART NO.	YEARS	MAKE/MODEL	WGT LBS	IN
	20135	00-09	Dodge Ram 2500 w/Factory 7-Way	1	10
		00-09	Dodge Ram 3500 w/Factory 7-Way		10
		03-09	Dodge Sprinter 2500 w/Factory 7-Way		10
		03-09	Dodge Sprinter 3500 w/Factory 7-Way		10
		01-03	Dodge Van, Ram 1500 w/Factory 7-Way		10
		01-03	Dodge Van, Ram 2500 w/Factory 7-Way		10
		01-03	Dodge Van, Ram 3500 w/Factory 7-Way		10
		03-09	Freightliner Sprinter 2500 w/Factory 7-Way		10
		03-09	Freightliner Sprinter 3500 w/Factory 7-Way		10
		06-10	Jeep Commander w/Factory 7-Way		10
		00-10	Jeep Grand Cherokee w/Factory 7-Way		10
		05-08	Jeep Liberty w/Factory 7-Way		10
		06-09	Mitsubishi Raider w/Factory 7-Way		10
	20137	03-06	Toyota Tundra w/Factory 7-Way	1	10
E12	22111	08-12	Buick Enclave	1	25
		09-12	Chevrolet Traverse		25
	22112	14-20	RAM ProMaster 1500 All Models	4	60
		14-20	RAM ProMaster 2500 All Models		60
		14-20	RAM ProMaster 3500 All Models		60
	22113	14-20	Dodge Durango	5	60
	22114	15-20	Ford Transit-150	5	90
		15-20	Ford Transit-250		90
		15-20	Ford Transit-350 Single Rear Wheel w/148" Wheelbase		45
	22115	14-20	Freightliner Sprinter 2500	7	90
		14-20	Freightliner Sprinter 3500		90
		14-20	Mercedes-Benz Sprinter 2500		90
		14-20	Mercedes-Benz Sprinter 3500		90
	22116	15-20	Ford Transit-350 Except Single Rear Wheel w/148" Wheelbase	3	90
	22117	16-20	Toyota Tacoma	5	90
	22118	15-20	Toyota Sienna Except SE	6	90
	22119	14-19	Toyota Highlander	4	90
	22121	11-16	Chrysler Town & Country	5	90
		11-20	Dodge Grand Caravan		90
		12-15	RAM C/V Tradesman		90
	22122	13-20	Hyundai Santa Fe (6/7 Passenger)	6	90
		14-18	Hyundai Santa Fe Sport (5 Passenger) w/Factory Tow Package		90
		13-18	Hyundai Santa Fe Sport w/Factory Tow Package (5 Passenger)		90
		19	Hyundai Santa Fe XL w/Factory Tow Package		90
		07-12	Hyundai Veracruz		90
		15-20	KIA Sedona		90
		11-13	KIA Sorento EX V6, w/Factory Tow Package		90
11-13	KIA Sorento LX V6		90		
11-13	KIA Sorento LX V6 w/Factory Tow Package		90		
11-13	KIA Sorento SX V6		90		
14-20	KIA Sorento w/ V6 Engine		90		
07-09	KIA Sorento w/Factory Tow Package		90		
E20	22124	19-20	Ford Ranger	2	45
	74682	08-12	Buick Enclave w/Factory 7-Way	1	10
		04-07	Buick Rainier w/Factory 7-Way		10
		03-20	Cadillac Escalade ESV w/Factory 7-Way		10
		02-11	Cadillac Escalade EXT w/Factory 7-Way		10
		02-20	Cadillac Escalade w/Factory 7-Way		10
		02-06	Chevrolet Avalanche 1500 w/Factory 7-Way		10
		02-06	Chevrolet Avalanche 2500 w/Factory 7-Way		10
		07-11	Chevrolet Avalanche w/Factory 7-Way		10
		99-01	Chevrolet Blazer Downsize, w/Factory 7-Way		10
		99-01	Chevrolet Blazer Trailblazer w/Factory 7-Way		10
		04-12	Chevrolet Colorado w/Factory 7-Way		10
		07	Chevrolet Silverado 1500 (Classic), w/Factory 7-Way		10
		07	Chevrolet Silverado 1500 HD (Classic), w/Factory 7-Way		10
		01-06	Chevrolet Silverado 1500 HD w/Factory 7-Way		10
		07-19	Chevrolet Silverado 1500 LD (Old Body Style) w/Factory 7-Way		10
		99-06	Chevrolet Silverado 1500 w/Factory 7-Way		10
		07	Chevrolet Silverado 2500 HD (Classic), w/Factory 7-Way		10
		01-21	Chevrolet Silverado 2500 HD w/Factory 7-Way		10
		99-04	Chevrolet Silverado 2500 w/Factory 7-Way		10
		07	Chevrolet Silverado 3500 (Classic), w/Factory 7-Way		10
07-20	Chevrolet Silverado 3500 HD w/Factory 7-Way		10		

# FIFTH WHEEL HARNESSSES

PC	PART NO.	YEARS	MAKE/MODEL	WGT LBS	IN
	74682	01-06	Chevrolet Silverado 3500 w/Factory 7-Way	1	10
		00-14	Chevrolet Suburban 1500 w/Amber Turn Signals, w/Factory 7-Way		
		00-13	Chevrolet Suburban 2500 w/Amber Turn Signals, w/Factory 7-Way		
		00-11	Chevrolet Tahoe w/Amber Turn Signals, w/Factory 7-Way		
		02-09	Chevrolet TrailBlazer w/Factory 7-Way		
		09-12	Chevrolet Traverse w/Factory 7-Way		
		09	Chrysler Aspen w/Factory 7-Way		
		09	Dodge Durango w/Factory 7-Way		
		09-10	Dodge Ram 1500 w/Factory 7-Way		
		10	Dodge Ram 2500 w/Factory 7-Way		
		10	Dodge Ram 3500 w/Factory 7-Way		
		97-09	Ford E-150 Econoline w/Factory 7-Way		
		97-09	Ford E-250 Econoline w/Factory 7-Way		
		97-09	Ford E-350 Econoline w/Factory 7-Way		
		00-05	Ford Excursion w/Factory 7-Way		
		97-20	Ford Expedition w/Factory 7-Way		
		00-03	Ford Explorer 2 Dr. Sport, w/Factory 7-Way		
		00-10	Ford Explorer 4 Dr., w/Factory 7-Way		
		07-10	Ford Explorer Sport Trac w/Factory 7-Way		
		11-19	Ford Explorer w/Factory 7-Way		
		97-20	Ford F-150 Flareside, w/Factory 7-Way		
		04	Ford F-150 Heritage Styleside, w/Factory 7-Way		
		97-20	Ford F-150 Styleside, w/Factory 7-Way		
		00-20	Ford F-150 SuperCrew, w/Factory 7-Way		
		97-99	Ford F-250 Styleside, w/Factory 7-Way		
		99-20	Ford F-250 Super Duty w/Factory 7-Way		
		99-20	Ford F-350 Super Duty w/Factory 7-Way		
		99-20	Ford F-450 Super Duty w/Factory 7-Way		
		99-11	Ford F-550 Super Duty w/Factory 7-Way		
		09-20	Ford Flex w/Factory 7-Way		
		00-11	Ford Ranger w/Factory 7-Way		
		07-12	GMC Acadia w/Factory 7-Way		
		04-12	GMC Canyon w/Factory 7-Way		
		02-09	GMC Envoy w/Factory 7-Way		
		99-01	GMC Jimmy Downsize, w/Factory 7-Way		
		07	GMC Sierra 1500 (Classic), w/Factory 7-Way		
		07	GMC Sierra 1500 HD (Classic), w/Factory 7-Way		
		01-06	GMC Sierra 1500 HD w/Factory 7-Way		
		99-18	GMC Sierra 1500 w/Factory 7-Way		
		07	GMC Sierra 2500 HD (Classic), w/Factory 7-Way		
		11-12	GMC Sierra 2500 HD Denali HD, w/Factory 7-Way		
		01-20	GMC Sierra 2500 HD w/Factory 7-Way		
		99-04	GMC Sierra 2500 w/Factory 7-Way		
		07	GMC Sierra 3500 (Classic), w/Factory 7-Way		
		07-20	GMC Sierra 3500 HD w/Factory 7-Way		
		01-06	GMC Sierra 3500 w/Factory 7-Way		
		01-20	GMC Yukon Denali w/Amber Turn Signals, w/Factory 7-Way		
		00-20	GMC Yukon w/Amber Turn Signals, w/Factory 7-Way		
		01-20	GMC Yukon XL 1500 Denali w/Factory 7-Way		
		00-11	GMC Yukon XL 1500 w/Factory 7-Way		
		00-13	GMC Yukon XL 2500 w/Factory 7-Way		
		03-09	Hummer H2 w/Factory 7-Way		
		06-10	Hummer H3 w/Factory 7-Way		
		09-10	Hummer H3T w/Factory 7-Way		
		04-12	Infiniti QX56 w/Factory 7-Way		
		03-08	Isuzu Ascender w/Factory 7-Way		
		11-20	Jeep Grand Cherokee w/Factory 7-Way		
		09-12	Jeep Liberty w/Factory 7-Way		
		09-11	KIA Borrego w/Factory 7-Way		
		10-11	Lexus GX460 w/Factory 7-Way		
		03-05	Lincoln Aviator w/Factory 7-Way		
		06-08	Lincoln Mark LT w/Factory 7-Way		
		10-12	Lincoln MKT w/Factory 7-Way		
		98-11	Lincoln Navigator w/Factory 7-Way		
		00-10	Mercury Mountaineer w/Factory 7-Way		
		05-14	Nissan Armada w/Factory 7-Way		
		04	Nissan Pathfinder Armada w/Factory 7-Way		
		04-14	Nissan Titan w/Factory 7-Way		
		99-04	Oldsmobile Bravada w/Factory 7-Way		
		11-18	RAM 1500 w/Factory 7-Way		
		11-21	RAM 2500 w/Factory 7-Way		
		11-18	RAM 3500 w/Factory 7-Way		
		05-09	Saab 9-7X w/Factory 7-Way		

PC	PART NO.	YEARS	MAKE/MODEL	WGT LBS	IN				
	74682	07-09	Saturn Outlook w/Factory 7-Way	1	10				
		10-11	Toyota 4Runner w/Factory 7-Way						
		09-12	Toyota Tacoma w/Factory 7-Way						
		10-13	Toyota Tundra w/Factory 7-Way						
		<b>FIFTH WHEEL HARNESS</b>							
			20110			07	Chevrolet Silverado 1500 (Classic), w/Factory 7-Way	3	45
						07	Chevrolet Silverado 1500 HD (Classic), w/Factory 7-Way		
						01-06	Chevrolet Silverado 1500 HD w/Factory 7-Way		
						07-19	Chevrolet Silverado 1500 LD (Old Body Style) w/Factory 7-Way		
						99-06	Chevrolet Silverado 1500 w/Factory 7-Way		
07	Chevrolet Silverado 2500 HD (Classic), w/Factory 7-Way								
01-21	Chevrolet Silverado 2500 HD w/Factory 7-Way								
99-04	Chevrolet Silverado 2500 w/Factory 7-Way								
07	Chevrolet Silverado 3500 (Classic), w/Factory 7-Way								
07-20	Chevrolet Silverado 3500 HD w/Factory 7-Way								
01-06	Chevrolet Silverado 3500 w/Factory 7-Way								
09-10	Dodge Ram 1500 w/Factory 7-Way								
10	Dodge Ram 2500 w/Factory 7-Way								
10	Dodge Ram 3500 w/Factory 7-Way								
97-20	Ford F-150 Flareside, w/Factory 7-Way								
04	Ford F-150 Heritage Flareside, w/Factory 7-Way								
04	Ford F-150 Heritage Styleside, w/Factory 7-Way								
97-20	Ford F-150 Styleside, w/Factory 7-Way								
04-20	Ford F-150 SuperCrew, w/Factory 7-Way								
97-99	Ford F-250 Styleside, w/Factory 7-Way								
99-20	Ford F-250 Super Duty w/Factory 7-Way								
99-20	Ford F-350 Super Duty w/Factory 7-Way								
99-20	Ford F-450 Super Duty w/Factory 7-Way								
99-11	Ford F-550 Super Duty w/Factory 7-Way								
07	GMC Sierra 1500 (Classic), w/Factory 7-Way								
07	GMC Sierra 1500 HD (Classic), w/Factory 7-Way								
01-06	GMC Sierra 1500 HD w/Factory 7-Way								
07-19	GMC Sierra 1500 LD (Old Body Style) w/Factory 7-Way								
99-06	GMC Sierra 1500 w/Factory 7-Way								
07	GMC Sierra 2500 HD (Classic), w/Factory 7-Way								
11-12	GMC Sierra 2500 HD Denali HD, w/Factory 7-Way								
01-20	GMC Sierra 2500 HD w/Factory 7-Way								
99-04	GMC Sierra 2500 w/Factory 7-Way								
07	GMC Sierra 3500 (Classic), w/Factory 7-Way								
07-20	GMC Sierra 3500 HD w/Factory 7-Way								
01-06	GMC Sierra 3500 w/Factory 7-Way								
06-08	Lincoln Mark LT w/Factory 7-Way								
04-14	Nissan Titan w/Factory 7-Way								
11-18	RAM 1500 w/Factory 7-Way								
11-21	RAM 2500 w/Factory 7-Way								
11-18	RAM 3500 w/Factory 7-Way								
10-16	Toyota Tundra w/Factory 7-Way								
	20111	00-08	Dodge Ram 1500 w/Factory 7-Way	2	45				
		00-09	Dodge Ram 2500 w/Factory 7-Way						
		00-09	Dodge Ram 3500 w/Factory 7-Way						
	20113	07-09	Toyota Tundra w/Factory 7-Way	2	45				
	20128	97-03	Ford F-150 Flareside, w/Factory 4-Flat	1	5				
		04	Ford F-150 Heritage w/Factory 4-Flat						
		97-03	Ford F-150 Styleside, w/Factory 4-Flat						
		97-99	Ford F-250 Styleside, w/Factory 4-Flat						
	20129	99-01	Ford F-250 Super Duty w/Factory 4-Flat	1	5				
		99-01	Ford F-350 Super Duty w/Factory 4-Flat						
		99-01	Ford F-450 Super Duty w/Factory 4-Flat						
		99-01	Ford F-550 Super Duty w/Factory 4-Flat						
	20130	97-03	Ford F-150 Flareside, w/Factory 4-Flat	2	5				
		04	Ford F-150 Heritage w/Factory 4-Flat						
		97-03	Ford F-150 Styleside, w/Factory 4-Flat						
		97-99	Ford F-250 Styleside, w/Factory 4-Flat						
	20131	99-01	Ford F-250 Super Duty w/Factory 4-Flat	2	5				
		99-01	Ford F-350 Super Duty w/Factory 4-Flat						
		99-01	Ford F-450 Super Duty w/Factory 4-Flat						
		99-01	Ford F-550 Super Duty w/Factory 4-Flat						
	20140	07	Chevrolet Silverado 1500 (Classic), w/Factory 7-Way	2	45				
		07	Chevrolet Silverado 1500 HD (Classic), w/Factory 7-Way						

PC	PART NO.	YEARS	MAKE/MODEL	WGT LBS	IN	
20140	01-06	07-19	Chevrolet Silverado 1500 HD w/Factory 7-Way	2	45	
			Chevrolet Silverado 1500 LD (Old Body Style) w/Factory 7-Way			
	99-06	07	Chevrolet Silverado 1500 w/Factory 7-Way	45	45	
			Chevrolet Silverado 2500 HD (Classic), w/Factory 7-Way			
	01-21	99-04	07	Chevrolet Silverado 2500 HD w/Factory 7-Way	45	45
				Chevrolet Silverado 2500 w/Factory 7-Way		
	07-20	01-06	09-10	Chevrolet Silverado 3500 (Classic), w/Factory 7-Way	45	45
				Chevrolet Silverado 3500 HD w/Factory 7-Way		
	01-06	09-10	10	Chevrolet Silverado 3500 w/Factory 7-Way	45	45
				Dodge Ram 1500 w/Factory 7-Way		
	09-10	10	10	Dodge Ram 2500 w/Factory 7-Way	45	45
				Dodge Ram 3500 w/Factory 7-Way		
	97-20	04	04	Ford F-150 Flareside, w/Factory 7-Way	45	45
				Ford F-150 Heritage Flareside, w/Factory 7-Way		
	04	97-20	04-20	Ford F-150 Heritage Styleside, w/Factory 7-Way	45	45
				Ford F-150 Styleside, w/Factory 7-Way		
	97-20	99-06	07	Ford F-150 SuperCrew, w/Factory 7-Way	45	45
				Ford F-250 Styleside, w/Factory 7-Way		
	04-20	99-20	99-20	Ford F-250 Super Duty w/Factory 7-Way	45	45
				Ford F-350 Super Duty w/Factory 7-Way		
	97-99	99-20	99-20	Ford F-450 Super Duty w/Factory 7-Way	45	45
				Ford F-550 Super Duty w/Factory 7-Way		
	07	01-06	07-19	GMC Sierra 1500 (Classic), w/Factory 7-Way	45	45
				GMC Sierra 1500 HD (Classic), w/Factory 7-Way		
	07	01-06	07-19	GMC Sierra 1500 HD w/Factory 7-Way	45	45
				GMC Sierra 1500 LD (Old Body Style) w/Factory 7-Way		
	99-06	07	11-12	GMC Sierra 1500 w/Factory 7-Way	45	45
				GMC Sierra 2500 HD (Classic), w/Factory 7-Way		
	07	01-20	99-04	GMC Sierra 2500 HD Denali HD, w/Factory 7-Way	45	45
				GMC Sierra 2500 HD w/Factory 7-Way		
	07	07-20	01-06	GMC Sierra 2500 w/Factory 7-Way	45	45
				GMC Sierra 3500 (Classic), w/Factory 7-Way		
	07	06-08	04-14	GMC Sierra 3500 HD w/Factory 7-Way	45	45
				GMC Sierra 3500 w/Factory 7-Way		
	01-06	06-08	04-14	Lincoln Mark LT w/Factory 7-Way	45	45
				Nissan Titan w/Factory 7-Way		
	04-14	11-18	11-21	Nissan Titan w/Factory 7-Way	45	45
				RAM 1500 w/Factory 7-Way		
	11-18	11-21	11-18	RAM 2500 w/Factory 7-Way	45	45
				RAM 3500 w/Factory 7-Way		
	11-18	10-16		RAM 3500 w/Factory 7-Way	45	45
				Toyota Tundra w/Factory 7-Way		

20146	07	07	Chevrolet Silverado 1500 (Classic), w/Factory 7-Way	2	45	
			Chevrolet Silverado 1500 HD (Classic), w/Factory 7-Way			
	01-06	07-19		Chevrolet Silverado 1500 HD w/Factory 7-Way	45	45
				Chevrolet Silverado 1500 LD (Old Body Style) w/Factory 7-Way		
	99-06	07		Chevrolet Silverado 1500 w/Factory 7-Way	45	45
				Chevrolet Silverado 2500 HD (Classic), w/Factory 7-Way		
	01-21	99-04	07	Chevrolet Silverado 2500 HD w/Factory 7-Way	45	45
				Chevrolet Silverado 2500 w/Factory 7-Way		
	07-20	01-06	09-10	Chevrolet Silverado 3500 (Classic), w/Factory 7-Way	45	45
				Chevrolet Silverado 3500 HD w/Factory 7-Way		
	01-06	09-10	10	Chevrolet Silverado 3500 w/Factory 7-Way	45	45
				Dodge Ram 1500 w/Factory 7-Way		
	09-10	10	10	Dodge Ram 2500 w/Factory 7-Way	45	45
				Dodge Ram 3500 w/Factory 7-Way		
	97-20	04	04	Ford F-150 Flareside, w/Factory 7-Way	45	45
				Ford F-150 Heritage Flareside, w/Factory 7-Way		
	04	97-20	04-20	Ford F-150 Heritage Styleside, w/Factory 7-Way	45	45
				Ford F-150 Styleside, w/Factory 7-Way		
	97-20	99-06	07	Ford F-150 SuperCrew, w/Factory 7-Way	45	45
				Ford F-250 Styleside, w/Factory 7-Way		
	04-20	99-20	99-20	Ford F-250 Super Duty w/Factory 7-Way	45	45
				Ford F-350 Super Duty w/Factory 7-Way		
	97-99	99-20	99-20	Ford F-450 Super Duty w/Factory 7-Way	45	45
				Ford F-550 Super Duty w/Factory 7-Way		
	07	01-06	07-19	GMC Sierra 1500 (Classic), w/Factory 7-Way	45	45
				GMC Sierra 1500 HD (Classic), w/Factory 7-Way		
	07	01-06	07-19	GMC Sierra 1500 HD w/Factory 7-Way	45	45
				GMC Sierra 1500 LD (Old Body Style) w/Factory 7-Way		

PC	PART NO.	YEARS	MAKE/MODEL	WGT LBS	IN					
20146	07-19		GMC Sierra 1500 LD (Old Body Style) w/Factory 7-Way	2	45					
			GMC Sierra 1500 w/Factory 7-Way							
			99-06			07		GMC Sierra 2500 HD (Classic), w/Factory 7-Way	45	45
								GMC Sierra 2500 HD Denali HD, w/Factory 7-Way		
			11-12			01-20		GMC Sierra 2500 HD w/Factory 7-Way	45	45
								GMC Sierra 2500 w/Factory 7-Way		
			99-04			07		GMC Sierra 2500 w/Factory 7-Way	45	45
								GMC Sierra 3500 (Classic), w/Factory 7-Way		
			07-20			01-06		GMC Sierra 3500 HD w/Factory 7-Way	45	45
								GMC Sierra 3500 w/Factory 7-Way		
			06-08			04-14		Lincoln Mark LT w/Factory 7-Way	45	45
								Nissan Titan w/Factory 7-Way		
			11-18			11-21		RAM 1500 w/Factory 7-Way	45	45
								RAM 2500 w/Factory 7-Way		
			11-18			10-16		RAM 3500 w/Factory 7-Way	45	45
								Toyota Tundra w/Factory 7-Way		

50-97-410	07	07	Chevrolet Silverado 1500 (Classic), w/Factory 7-Way	3	45	
			Chevrolet Silverado 1500 HD (Classic), w/Factory 7-Way			
	01-06	07-19		Chevrolet Silverado 1500 HD w/Factory 7-Way	45	45
				Chevrolet Silverado 1500 LD (Old Body Style) w/Factory 7-Way		
	99-06	07		Chevrolet Silverado 1500 w/Factory 7-Way	45	45
				Chevrolet Silverado 2500 HD (Classic), w/Factory 7-Way		
	01-21	99-04	07	Chevrolet Silverado 2500 HD w/Factory 7-Way	45	45
				Chevrolet Silverado 2500 w/Factory 7-Way		
	07-20	01-06	09-10	Chevrolet Silverado 3500 (Classic), w/Factory 7-Way	45	45
				Chevrolet Silverado 3500 HD w/Factory 7-Way		
	01-06	09-10	10	Chevrolet Silverado 3500 w/Factory 7-Way	45	45
				Dodge Ram 1500 w/Factory 7-Way		
	09-10	10	10	Dodge Ram 2500 w/Factory 7-Way	45	45
				Dodge Ram 3500 w/Factory 7-Way		
	97-20	04	04	Ford F-150 Flareside, w/Factory 7-Way	45	45
				Ford F-150 Heritage Flareside, w/Factory 7-Way		
	04	97-20	04-20	Ford F-150 Heritage Styleside, w/Factory 7-Way	45	45
				Ford F-150 Styleside, w/Factory 7-Way		
	97-20	99-06	07	Ford F-150 SuperCrew, w/Factory 7-Way	45	45
				Ford F-250 Styleside, w/Factory 7-Way		
	04-20	99-20	99-20	Ford F-250 Super Duty w/Factory 7-Way	45	45
				Ford F-350 Super Duty w/Factory 7-Way		
	97-99	99-20	99-20	Ford F-450 Super Duty w/Factory 7-Way	45	45
				Ford F-550 Super Duty w/Factory 7-Way		
	07	01-06	07-19	GMC Sierra 1500 (Classic), w/Factory 7-Way	45	45
				GMC Sierra 1500 HD (Classic), w/Factory 7-Way		
	07	01-06	07-19	GMC Sierra 1500 HD w/Factory 7-Way	45	45
				GMC Sierra 1500 LD (Old Body Style) w/Factory 7-Way		
	99-06	07	11-12	GMC Sierra 1500 w/Factory 7-Way	45	45
				GMC Sierra 2500 HD (Classic), w/Factory 7-Way		
	07	01-20	99-04	GMC Sierra 2500 HD Denali HD, w/Factory 7-Way	45	45
				GMC Sierra 2500 HD w/Factory 7-Way		
	07	07-20	01-06	GMC Sierra 2500 w/Factory 7-Way	45	45
				GMC Sierra 3500 (Classic), w/Factory 7-Way		
	07	06-08	04-14	GMC Sierra 3500 HD w/Factory 7-Way	45	45
				GMC Sierra 3500 w/Factory 7-Way		
	01-06	06-08	04-14	Lincoln Mark LT w/Factory 7-Way	45	45
				Nissan Titan w/Factory 7-Way		
	04-14	11-18	11-21	Nissan Titan w/Factory 7-Way	45	45
				RAM 1500 w/Factory 7-Way		
	11-18	11-21	11-18	RAM 2500 w/Factory 7-Way	45	45
				RAM 3500 w/Factory 7-Way		
	11-18	10-16		RAM 3500 w/Factory 7-Way	45	45
				Toyota Tundra w/Factory 7-Way		

50-97-411	00-08	00-09	Dodge Ram 1500 w/Factory 7-Way	3	45	
			Dodge Ram 2500 w/Factory 7-Way			
			Dodge Ram 3500 w/Factory 7-Way			
50-97-412	07-09		Toyota Tundra w/Factory 7-Way	3	45	
			Chevrolet Silverado 1500 (Classic), w/Factory 7-Way			
51-97-410	07	07	Chevrolet Silverado 1500 (Classic), w/Factory 7-Way	4	45	
			Chevrolet Silverado 1500 HD (Classic), w/Factory 7-Way			
	01-06	07-19		Chevrolet Silverado 1500 HD w/Factory 7-Way	45	45
				Chevrolet Silverado 1500 LD (Old Body Style) w/Factory 7-Way		
99-06			Chevrolet Silverado 1500 w/Factory 7-Way	45	45	





PC	PART NO.	YEARS	MAKE/MODEL	WGT LBS	IN
	54701-009	11-20	Ford F-450 Super Duty w/Factory 7-Way	3	45
<b>6 / 7-WAY CONNECTORS</b>					
	85219	08-12	Buick Enclave w/Factory 7-Way	1	10
		04-07	Buick Rainier w/Factory 7-Way		10
		03-20	Cadillac Escalade ESV w/Factory 7-Way		10
		02-11	Cadillac Escalade EXT w/Factory 7-Way		10
		02-20	Cadillac Escalade w/Factory 7-Way		10
		02-06	Chevrolet Avalanche 1500 w/Factory 7-Way		10
		02-06	Chevrolet Avalanche 2500 w/Factory 7-Way		10
		07-11	Chevrolet Avalanche w/Factory 7-Way		10
		99-01	Chevrolet Blazer Downsize, w/Factory 7-Way		10
		99-01	Chevrolet Blazer Trailblazer w/Factory 7-Way		10
		04-12	Chevrolet Colorado w/Factory 7-Way		10
		07	Chevrolet Silverado 1500 (Classic), w/Factory 7-Way		10
		07	Chevrolet Silverado 1500 HD (Classic), w/Factory 7-Way		10
		01-06	Chevrolet Silverado 1500 HD w/Factory 7-Way		10
		07-19	Chevrolet Silverado 1500 LD (Old Body Style) w/Factory 7-Way		10
		99-06	Chevrolet Silverado 1500 w/Factory 7-Way		10
		07	Chevrolet Silverado 2500 HD (Classic), w/Factory 7-Way		10
		01-21	Chevrolet Silverado 2500 HD w/Factory 7-Way		10
		99-04	Chevrolet Silverado 2500 w/Factory 7-Way		10
		07	Chevrolet Silverado 3500 (Classic), w/Factory 7-Way		10
		07-20	Chevrolet Silverado 3500 HD w/Factory 7-Way		10
		01-06	Chevrolet Silverado 3500 w/Factory 7-Way		10
		00-14	Chevrolet Suburban 1500 w/Amber Turn Signals, w/Factory 7-Way		10
		00-13	Chevrolet Suburban 2500 w/Amber Turn Signals, w/Factory 7-Way		10
		00-11	Chevrolet Tahoe w/Amber Turn Signals, w/Factory 7-Way		10
		02-09	Chevrolet TrailBlazer w/Factory 7-Way		10
		09-12	Chevrolet Traverse w/Factory 7-Way		10
		09	Chrysler Aspen w/Factory 7-Way		10
		09	Dodge Durango w/Factory 7-Way		10
		09-10	Dodge Ram 1500 w/Factory 7-Way		10
		10	Dodge Ram 2500 w/Factory 7-Way		10
		10	Dodge Ram 3500 w/Factory 7-Way		10
		97-09	Ford E-150 Econoline w/Factory 7-Way		10
		97-09	Ford E-250 Econoline w/Factory 7-Way		10
		97-09	Ford E-350 Econoline w/Factory 7-Way		10
		00-05	Ford Excursion w/Factory 7-Way		10
		97-20	Ford Expedition w/Factory 7-Way		10
		01-03	Ford Explorer 2 Dr. Sport, w/Factory 7-Way		10
		00-10	Ford Explorer 4 Dr., w/Factory 7-Way		10
		07-10	Ford Explorer Sport Trac w/Factory 7-Way		10
		11-19	Ford Explorer w/Factory 7-Way		10
		04	Ford F-150 Heritage w/Factory 7-Way		10
		97-20	Ford F-150 w/Factory 7-Way		10
		97-99	Ford F-250 Styleside, w/Factory 7-Way		10
		99-20	Ford F-250 Super Duty w/Factory 7-Way		10
		99-20	Ford F-350 Super Duty w/Factory 7-Way		10
		99-20	Ford F-450 Super Duty w/Factory 7-Way		10
		99-11	Ford F-550 Super Duty w/Factory 7-Way		10
		09-20	Ford Flex w/Factory 7-Way		10
		00-11	Ford Ranger w/Factory 7-Way		10
		07-12	GMC Acadia w/Factory 7-Way		10
		04-12	GMC Canyon w/Factory 7-Way		10
		02-09	GMC Envoy w/Factory 7-Way		10
		99-01	GMC Jimmy Downsize, w/Factory 7-Way		10
		07	GMC Sierra 1500 (Classic), w/Factory 7-Way		10
		07	GMC Sierra 1500 HD (Classic), w/Factory 7-Way		10
		01-06	GMC Sierra 1500 HD w/Factory 7-Way		10
		99-18	GMC Sierra 1500 w/Factory 7-Way		10
		07	GMC Sierra 2500 HD (Classic), w/Factory 7-Way		10
		01-20	GMC Sierra 2500 HD w/Factory 7-Way		10
		99-04	GMC Sierra 2500 w/Factory 7-Way		10
		07	GMC Sierra 3500 (Classic), w/Factory 7-Way		10
		07-20	GMC Sierra 3500 HD w/Factory 7-Way		10
		01-06	GMC Sierra 3500 w/Factory 7-Way		10
		11-12	GMC Sierra Denali HD, w/Factory 7-Way		10
		00-20	GMC Yukon w/Amber Turn Signals, w/Factory 7-Way		10
		00-11	GMC Yukon XL 1500 w/Factory 7-Way		10

PC	PART NO.	YEARS	MAKE/MODEL	WGT LBS	IN
	85219	00-13	GMC Yukon XL 2500 w/Factory 7-Way	1	10
		03-09	Hummer H2 w/Factory 7-Way		10
		06-10	Hummer H3 w/Factory 7-Way		10
		09-10	Hummer H3T w/Factory 7-Way		10
		04-12	Infiniti QX56 w/Factory 7-Way		10
		03-08	Isuzu Ascender w/Factory 7-Way		10
		11-20	Jeep Grand Cherokee w/Factory 7-Way		10
		09-12	Jeep Liberty w/Factory 7-Way		10
		09-11	KIA Borrego w/Factory 7-Way		10
		10-11	Lexus GX460 w/Factory 7-Way		10
		03-05	Lincoln Aviator w/Factory 7-Way		10
		06-08	Lincoln Mark LT w/Factory 7-Way		10
		10-12	Lincoln MKT w/Factory 7-Way		10
		98-11	Lincoln Navigator w/Factory 7-Way		10
		00-10	Mercury Mountaineer w/Factory 7-Way		10
		05-14	Nissan Armada w/Factory 7-Way		10
		04	Nissan Pathfinder Armada w/Factory 7-Way		10
		04-14	Nissan Titan w/Factory 7-Way		10
		99-04	Oldsmobile Bravada w/Factory 7-Way		10
		11-18	RAM 1500 w/Factory 7-Way		10
		11-21	RAM 2500 w/Factory 7-Way		10
		11-18	RAM 3500 w/Factory 7-Way		10
		05-09	Saab 9-7X w/Factory 7-Way		10
		07-09	Saturn Outlook w/Factory 7-Way		10
		10-11	Toyota 4Runner w/Factory 7-Way		10
		09-12	Toyota Tacoma w/Factory 7-Way		10
		10-13	Toyota Tundra w/Factory 7-Way		10
	8551511	08-12	Buick Enclave w/Factory 7-Way	2	10
		04-07	Buick Rainier w/Factory 7-Way		10
		03-11	Cadillac Escalade ESV w/Factory 7-Way		10
		02-11	Cadillac Escalade EXT w/Factory 7-Way		10
		02-20	Cadillac Escalade w/Factory 7-Way		10
		02-06	Chevrolet Avalanche 1500 w/Factory 7-Way		10
		02-06	Chevrolet Avalanche 2500 w/Factory 7-Way		10
		07-11	Chevrolet Avalanche w/Factory 7-Way		10
		99-01	Chevrolet Blazer Downsize, w/Factory 7-Way		10
		99-01	Chevrolet Blazer Trailblazer w/Factory 7-Way		10
		04-12	Chevrolet Colorado w/Factory 7-Way		10
		07	Chevrolet Silverado 1500 (Classic), w/Factory 7-Way		10
		07	Chevrolet Silverado 1500 HD (Classic), w/Factory 7-Way		10
		01-06	Chevrolet Silverado 1500 HD w/Factory 7-Way		10
		07-19	Chevrolet Silverado 1500 LD (Old Body Style) w/Factory 7-Way		10
		99-06	Chevrolet Silverado 1500 w/Factory 7-Way		10
		07	Chevrolet Silverado 2500 HD (Classic), w/Factory 7-Way		10
		01-21	Chevrolet Silverado 2500 HD w/Factory 7-Way		10
		99-04	Chevrolet Silverado 2500 w/Factory 7-Way		10
		07	Chevrolet Silverado 3500 (Classic), w/Factory 7-Way		10
		07-20	Chevrolet Silverado 3500 HD w/Factory 7-Way		10
		01-06	Chevrolet Silverado 3500 w/Factory 7-Way		10
		00-14	Chevrolet Suburban 1500 w/Amber Turn Signals, w/Factory 7-Way		10
		00-13	Chevrolet Suburban 2500 w/Amber Turn Signals, w/Factory 7-Way		10
		00-11	Chevrolet Tahoe w/Amber Turn Signals, w/Factory 7-Way		10
		02-09	Chevrolet TrailBlazer w/Factory 7-Way		10
		09-12	Chevrolet Traverse w/Factory 7-Way		10
		07-12	GMC Acadia w/Factory 7-Way		10
		04-12	GMC Canyon w/Factory 7-Way		10
		02-09	GMC Envoy w/Factory 7-Way		10
		99-01	GMC Jimmy Downsize, w/Factory 7-Way		10
		07	GMC Sierra 1500 (Classic), w/Factory 7-Way		10
		07	GMC Sierra 1500 HD (Classic), w/Factory 7-Way		10
		01-06	GMC Sierra 1500 HD w/Factory 7-Way		10
		99-18	GMC Sierra 1500 w/Factory 7-Way		10
		07	GMC Sierra 2500 HD (Classic), w/Factory 7-Way		10
		11-12	GMC Sierra 2500 HD Denali HD, w/Factory 7-Way		10
		01-20	GMC Sierra 2500 HD w/Factory 7-Way		10
		99-04	GMC Sierra 2500 w/Factory 7-Way		10
		07	GMC Sierra 3500 (Classic), w/Factory 7-Way		10
		07-20	GMC Sierra 3500 HD w/Factory 7-Way		10
		01-06	GMC Sierra 3500 w/Factory 7-Way		10

# FIFTH WHEEL RAIL KITS

PC	PART NO.	YEARS	MAKE/MODEL	WGT LBS	IN			
8551511	01-20	GMC Yukon Denali w/Amber Turn Signals, w/Factory 7-Way			2	10		
		00-20	GMC Yukon w/Amber Turn Signals, w/Factory 7-Way			10		
		01-20	GMC Yukon XL 1500 Denali w/Factory 7-Way			10		
		00-11	GMC Yukon XL 1500 w/Factory 7-Way			10		
		00-13	GMC Yukon XL 2500 w/Factory 7-Way			10		
		03-09	Hummer H2 w/Factory 7-Way			10		
		06-10	Hummer H3 w/Factory 7-Way			10		
		09-10	Hummer H3T w/Factory 7-Way			10		
		03-08	Isuzu Ascender w/Factory 7-Way			10		
		99-04	Oldsmobile Bravada w/Factory 7-Way			10		
		05-09	Saab 9-7X w/Factory 7-Way			10		
		07-09	Saturn Outlook w/Factory 7-Way			10		
		<b>20K / 22K / 25K FIFTH WHEEL</b>						
		301601	13-20	RAM 2500 w/Factory HD Towing Option			182	
			14-20	RAM 3500 w/Factory HD Towing Option				
		<b>RAILS &amp; BRACKET KITS</b>						
		30035	73-86	Chevrolet C10			54	
88-99	Chevrolet C1500							
73-86	Chevrolet C20							
88-99	Chevrolet C2500							
73-86	Chevrolet C30							
88-00	Chevrolet C3500							
73-86	Chevrolet K10							
88-99	Chevrolet K1500							
73-86	Chevrolet K20							
88-99	Chevrolet K2500							
73-86	Chevrolet K30							
88-00	Chevrolet K3500							
99-06	Chevrolet Silverado 1500							
07	Chevrolet Silverado 1500 (Classic)							
01-06	Chevrolet Silverado 1500 HD							
07	Chevrolet Silverado 1500 HD (Classic)							
07-19	Chevrolet Silverado 1500 LD (Old Body Style) Except High Desert Package							
99-04	Chevrolet Silverado 2500							
01-14	Chevrolet Silverado 2500 HD							
07	Chevrolet Silverado 2500 HD (Classic)							
15-19	Chevrolet Silverado 2500 HD Except with OEM HD Towing Prep Package							
01-06	Chevrolet Silverado 3500							
07	Chevrolet Silverado 3500 (Classic)							
07-14	Chevrolet Silverado 3500 HD							
15-19	Chevrolet Silverado 3500 HD Except with OEM HD Towing Prep Package							
73-89	Dodge D100							
77-93	Dodge D150							
73-80	Dodge D200							
81-93	Dodge D250							
73-80	Dodge D300							
81-93	Dodge D350							
94-04	Dodge Dakota							
94-10	Dodge Ram 1500							
94-02	Dodge Ram 2500							
03-10	Dodge Ram 2500 Except w/Overload Springs							
03-10	Dodge Ram 2500 w/Overload Springs							
94-02	Dodge Ram 3500							
03-10	Dodge Ram 3500 Except w/Overload Springs							
03-10	Dodge Ram 3500 w/Overload Springs							
75-83	Ford F-100							
75-14	Ford F-150							
15-20	Ford F-150 Except Raptor							
04	Ford F-150 Heritage Styleside							
97-03	Ford F-150 Styleside, Except SuperCrew							
75-96	Ford F-250							
97	Ford F-250 Heavy Duty							
97-99	Ford F-250 Styleside							
99-17	Ford F-250 Super Duty Except Cab & Chassis							
75-96	Ford F-350							
97	Ford F-350 Heavy Duty							
99-17	Ford F-350 Super Duty Except Cab & Chassis							
08-17	Ford F-450 Super Duty Except Cab & Chassis							
75-78	GMC C15							
73-74	GMC C15/C1500							
79-99	GMC C1500							
75-78	GMC C25							
67-74	GMC C25/C2500							

PC	PART NO.	YEARS	MAKE/MODEL	WGT LBS	IN		
30035	79-00	GMC C2500			54		
	75-78	GMC C35					
	73-74	GMC C35/C3500					
	79-00	GMC C3500					
	92-00	GMC C3500 Crew Cab					
	73-78	GMC K15					
	79-99	GMC K1500					
	73-78	GMC K25					
	79-00	GMC K2500					
	73-78	GMC K35					
	79-00	GMC K3500					
	92-00	GMC K3500 Crew Cab					
	99-06	GMC Sierra 1500					
	07	GMC Sierra 1500 (Classic)					
	01-06	GMC Sierra 1500 HD					
	07	GMC Sierra 1500 HD (Classic)					
	07-19	GMC Sierra 1500 LD (Old Body Style)					
	99-04	GMC Sierra 2500					
	01-14	GMC Sierra 2500 HD					
	07	GMC Sierra 2500 HD (Classic)					
	15-19	GMC Sierra 2500 HD Except with OEM HD Towing Prep Package and Carbon Pro Bed					
	01-06	GMC Sierra 3500					
	07	GMC Sierra 3500 (Classic)					
	07-14	GMC Sierra 3500 HD					
	15-19	GMC Sierra 3500 HD Except with OEM HD Towing Prep Package and Carbon Pro Bed					
	04-15	Nissan Titan					
	11-12	RAM 1500					
	19	RAM 1500 (Classic), Except w/Air Suspension					
	19	RAM 1500 (Classic), Except w/Air Suspension or w/ECODiesel Engine					
	14-18	RAM 1500 Except w/Air Suspension					
	13-18	RAM 1500 Except w/Air Suspension or w/ECODiesel Engine					
	14-21	RAM 2500					
	11-13	RAM 2500 Except w/Overload Springs					
	11-12	RAM 2500 w/Overload Springs					
	13-20	RAM 3500					
	11-12	RAM 3500 Except w/Overload Springs					
	11-12	RAM 3500 w/Overload Springs					
	07-21	Toyota Tundra					
	00-06	Toyota Tundra Regular Cab 8 ft. Bed					
	50026	11-16	Ford F-250 Super Duty Except Cab & Chassis			27	
		11-16	Ford F-350 Super Duty Except Cab & Chassis				
		11-16	Ford F-450 Super Duty Except Cab & Chassis				
	50026-58	11-16	Ford F-250 Super Duty Except Cab & Chassis			70	
		11-16	Ford F-350 Super Duty Except Cab & Chassis				
		11-16	Ford F-450 Super Duty Except Cab & Chassis				
	50040	02-08	Dodge Ram 1500 Except Mega Cab			60	
		03-10	Dodge Ram 2500 Except Mega Cab & w/Overload Springs				
		03-10	Dodge Ram 3500 Except Mega Cab & w/Overload Springs				
		11-12	RAM 2500 Except Mega Cab & w/Overload Springs				
		11-12	RAM 3500 Except Mega Cab & w/Overload Springs				
50040-58	02-08	Dodge Ram 1500 Except Mega Cab			98		
	03-10	Dodge Ram 2500 Except Mega Cab & w/Overload Springs					
	03-10	Dodge Ram 3500 Except Mega Cab & w/Overload Springs					
50042	04	Ford F-150 Heritage Styleside			28		
	97-03	Ford F-150 Styleside					
	97-99	Ford F-250 Styleside					
50042-58	04	Ford F-150 Heritage Styleside			66		
	97-03	Ford F-150 Styleside					
	97-99	Ford F-250 Styleside					
50043	99-04	Ford F-250 Super Duty Except Cab & Chassis			24		
	99-04	Ford F-350 Super Duty Except Cab & Chassis					
50043-58	99-04	Ford F-250 Super Duty Except Cab & Chassis			64		
	99-04	Ford F-350 Super Duty Except Cab & Chassis					
50054	14-18	RAM 2500			18		
50054-58	14-18	RAM 2500			59		
50064	99-13	Chevrolet Silverado 1500			42		
	07	Chevrolet Silverado 1500 (Classic)					

PC	PART NO.	YEARS	MAKE/MODEL	WGT LBS	IN				
50064		01-06	Chevrolet Silverado 1500 HD	42					
		07	Chevrolet Silverado 1500 HD (Classic)						
		14-19	Chevrolet Silverado 1500 LD (Old Body Style) Does Not Fit MagneRide Magnetic Ride Suspension						
		99-04	Chevrolet Silverado 2500						
		01-10	Chevrolet Silverado 2500 HD						
		07	Chevrolet Silverado 2500 HD (Classic)						
		01-06	Chevrolet Silverado 3500						
		07	Chevrolet Silverado 3500 (Classic)						
		07-10	Chevrolet Silverado 3500 HD						
		99-13	GMC Sierra 1500						
		07	GMC Sierra 1500 (Classic)						
		01-06	GMC Sierra 1500 HD						
		07	GMC Sierra 1500 HD (Classic)						
		14-19	GMC Sierra 1500 LD (Old Body Style) Does Not Fit MagneRide Magnetic Ride Suspension						
		99-04	GMC Sierra 2500						
		01-10	GMC Sierra 2500 HD						
		07	GMC Sierra 2500 HD (Classic)						
		01-06	GMC Sierra 3500						
		07	GMC Sierra 3500 (Classic)						
		07-10	GMC Sierra 3500 HD						
50064-58		99-13	Chevrolet Silverado 1500	83					
		07	Chevrolet Silverado 1500 (Classic)						
		01-06	Chevrolet Silverado 1500 HD						
		07	Chevrolet Silverado 1500 HD (Classic)						
		14-19	Chevrolet Silverado 1500 LD (Old Body Style) Does Not Fit MagneRide Magnetic Ride Suspension						
		99-04	Chevrolet Silverado 2500						
		01-10	Chevrolet Silverado 2500 HD						
		07	Chevrolet Silverado 2500 HD (Classic)						
		01-06	Chevrolet Silverado 3500						
		07	Chevrolet Silverado 3500 (Classic)						
		07-10	Chevrolet Silverado 3500 HD						
		99-13	GMC Sierra 1500						
		07	GMC Sierra 1500 (Classic)						
		01-06	GMC Sierra 1500 HD						
		07	GMC Sierra 1500 HD (Classic)						
		14-19	GMC Sierra 1500 LD (Old Body Style) Does Not Fit MagneRide Magnetic Ride Suspension						
		99-04	GMC Sierra 2500						
		01-10	GMC Sierra 2500 HD						
		07	GMC Sierra 2500 HD (Classic)						
		01-06	GMC Sierra 3500						
07	GMC Sierra 3500 (Classic)								
07-10	GMC Sierra 3500 HD								
50066		11-14	Chevrolet Silverado 2500 HD	22					
		15-19	Chevrolet Silverado 2500 HD Except with OEM HD Towing Prep Package						
		11-14	Chevrolet Silverado 3500 HD						
		15-19	Chevrolet Silverado 3500 HD Except with OEM HD Towing Prep Package						
		11-14	GMC Sierra 2500 HD						
		15-19	GMC Sierra 2500 HD Except with OEM HD Towing Prep Package and Carbon Pro Bed						
		11-14	GMC Sierra 3500 HD						
		15-19	GMC Sierra 3500 HD Except with OEM HD Towing Prep Package and Carbon Pro Bed						
		50066-58				11-14	Chevrolet Silverado 2500 HD	76	
						15-19	Chevrolet Silverado 2500 HD Except with OEM HD Towing Prep Package		
11-14	Chevrolet Silverado 3500 HD								
15-19	Chevrolet Silverado 3500 HD Except with OEM HD Towing Prep Package								
11-14	GMC Sierra 2500 HD								
15-19	GMC Sierra 2500 HD Except with OEM HD Towing Prep Package and Carbon Pro Bed								
50074		17-20	Ford F-250 Super Duty Except Dual Rear Wheel or Cab & Chassis	29					
		17-20	Ford F-350 Super Duty Except Dual Rear Wheel or Cab & Chassis						
		50074-58	17-20			Ford F-250 Super Duty Except Dual Rear Wheel or Cab & Chassis	89		
						Ford F-350 Super Duty Except Dual Rear Wheel or Cab & Chassis			

PC	PART NO.	YEARS	MAKE/MODEL	WGT LBS	IN				
50074-58		17-20	Ford F-350 Super Duty Except Dual Rear Wheel or Cab & Chassis	89					
		50081	04-14			Ford F-150	24		
		50081-58	04-14			Ford F-150	63		
		50082	99-10			Ford F-250 Super Duty Except Cab & Chassis	32		
						Ford F-350 Super Duty Except Cab & Chassis			
						Ford F-450 Super Duty Except Cab & Chassis			
		50082-58	99-10			Ford F-250 Super Duty Except Cab & Chassis	73		
						Ford F-350 Super Duty Except Cab & Chassis			
						Ford F-450 Super Duty Except Cab & Chassis			
		50084	07-21			Toyota Tundra	33		
		50084-58	07-21			Toyota Tundra	86		
		50085	13-20			RAM 3500	30		
		50085-58	13-20			RAM 3500	75		
		50087	15-20			Ford F-150 Except Raptor	27		
		50087-58	15-20			Ford F-150 Except Raptor	68		
		50140				06-08	Dodge Ram 1500 Mega Cab	25	
						03-09	Dodge Ram 2500		
						10	Dodge Ram 2500 Except w/Gas Engines w/Overload Springs		
						03-09	Dodge Ram 3500		
						10	Dodge Ram 3500 Except w/Gas Engines w/Overload Springs		
11-12	RAM 2500 Except w/Gas Engines w/Overload Springs								
11-12	RAM 3500 Except w/Gas Engines w/Overload Springs								
50140-58	06-08			Dodge Ram 1500 Mega Cab	65				
				03-09			Dodge Ram 2500		
50142	09-10			Dodge Ram 1500	38				
		11-18	RAM 1500						
50142-58	09-10	Dodge Ram 1500	74						
		11-18			RAM 1500				
56001	11-14	Chevrolet Silverado 2500 HD	21						
		Chevrolet Silverado 2500 HD Except with OEM HD Towing Prep Package							
56001-53	11-14	Chevrolet Silverado 2500 HD	70						
		Chevrolet Silverado 2500 HD Except with OEM HD Towing Prep Package							
56005	99-10	Ford F-250 Super Duty Except Cab & Chassis	28						
		Ford F-350 Super Duty Except Cab & Chassis							
56005-53	99-10	Ford F-250 Super Duty Except Cab & Chassis	89						
		Ford F-350 Super Duty Except Cab & Chassis							
56006	04-14	Ford F-150	28						
		Ford F-150							
56007	99-13	Chevrolet Silverado 1500	38						
		Chevrolet Silverado 1500 (Classic)							
		Chevrolet Silverado 1500 HD							
56007-58	01-06	Chevrolet Silverado 1500 HD	89						
		Chevrolet Silverado 1500 HD (Classic)							

# FIFTH WHEEL RAIL KITS

PC	PART NO.	YEARS	MAKE/MODEL	WGT LBS	IN
56007	14-19	Chevrolet Silverado 1500 LD (Old Body Style) Does Not Fit MagneRide Magnetic Ride Suspension	38		
	99-04	Chevrolet Silverado 2500			
	01-10	Chevrolet Silverado 2500 HD			
	07	Chevrolet Silverado 2500 HD (Classic)			
	01-06	Chevrolet Silverado 3500			
	07	Chevrolet Silverado 3500 (Classic)			
	07-10	Chevrolet Silverado 3500 HD			
	99-13	GMC Sierra 1500			
	07	GMC Sierra 1500 (Classic)			
	01-06	GMC Sierra 1500 HD			
	07	GMC Sierra 1500 HD (Classic)			
	14-19	GMC Sierra 1500 LD (Old Body Style) Does Not Fit MagneRide Magnetic Ride Suspension			
	99-04	GMC Sierra 2500			
	01-10	GMC Sierra 2500 HD			
	07	GMC Sierra 2500 HD (Classic)			
	01-06	GMC Sierra 3500			
	07	GMC Sierra 3500 (Classic)			
07-10	GMC Sierra 3500 HD				
56007-53	99-13	Chevrolet Silverado 1500	97		
	07	Chevrolet Silverado 1500 (Classic)			
	01-06	Chevrolet Silverado 1500 HD			
	07	Chevrolet Silverado 1500 HD (Classic)			
	14-19	Chevrolet Silverado 1500 LD (Old Body Style) Does Not Fit MagneRide Magnetic Ride Suspension			
	99-04	Chevrolet Silverado 2500			
	01-10	Chevrolet Silverado 2500 HD			
	07	Chevrolet Silverado 2500 HD (Classic)			
	01-06	Chevrolet Silverado 3500			
	07	Chevrolet Silverado 3500 (Classic)			
	07-10	Chevrolet Silverado 3500 HD			
	99-13	GMC Sierra 1500			
	07	GMC Sierra 1500 (Classic)			
	01-06	GMC Sierra 1500 HD			
	07	GMC Sierra 1500 HD (Classic)			
	14-19	GMC Sierra 1500 LD (Old Body Style) Does Not Fit MagneRide Magnetic Ride Suspension			
	99-04	GMC Sierra 2500			
01-10	GMC Sierra 2500 HD				
07	GMC Sierra 2500 HD (Classic)				
01-06	GMC Sierra 3500				
07	GMC Sierra 3500 (Classic)				
07-10	GMC Sierra 3500 HD				
56009	14-21	RAM 2500	20		
56009-53	14-21	RAM 2500	79		
56010	13-14	RAM 3500 Except w/RamBox Cargo Management System	40		
	15-20	RAM 3500 Except w/RamBox Cargo Management System or Models w/Air Suspension			
56010-53	13-14	RAM 3500 Except w/RamBox Cargo Management System	101		
	15-20	RAM 3500 Except w/RamBox Cargo Management System or Models w/Air Suspension			
56011	03-10	Dodge Ram 2500	49		
	03-10	Dodge Ram 3500			
	11-13	RAM 2500			
	11-12	RAM 3500			
56011-53	03-10	Dodge Ram 2500	108		
	03-10	Dodge Ram 3500			
	11-13	RAM 2500			
	11-12	RAM 3500			
56015	19-21	Chevrolet Silverado 1500 New Body Style, Except 8 ft. Bed & Models w/Adaptive Ride Control	30		
	19-21	GMC Sierra 1500 New Body Style, Except 8 ft. Bed & Models w/Adaptive Ride Control & Carbon Pro Bed			
56015-53	19-21	Chevrolet Silverado 1500 New Body Style, Except 8 ft. Bed & Models w/Adaptive Ride Control	101		
	19-21	GMC Sierra 1500 New Body Style, Except 8 ft. Bed & Models w/Adaptive Ride Control & Carbon Pro Bed			
56016	11-16	Ford F-250 Super Duty Except Cab & Chassis	30		
	11-16	Ford F-350 Super Duty Except Cab & Chassis			
	11-16	Ford F-450 Super Duty Except Cab & Chassis			
56016-53	11-16	Ford F-250 Super Duty Except Cab & Chassis	91		
	11-16	Ford F-350 Super Duty Except Cab & Chassis			
	11-16	Ford F-450 Super Duty Except Cab & Chassis			
56017	17-21	Ford F-250 Super Duty Except Cab & Chassis	37		
	17-21	Ford F-350 Super Duty Except Cab & Chassis			
	17-21	Ford F-450 Super Duty Except Cab & Chassis			

PC	PART NO.	YEARS	MAKE/MODEL	WGT LBS	IN
56017-53	17-21	Ford F-250 Super Duty Except Cab & Chassis	96		
	17-21	Ford F-350 Super Duty Except Cab & Chassis			
	17-21	Ford F-450 Super Duty Except Cab & Chassis			
56018	19-21	RAM 1500 New Body Style Except with Split Tail Gate	14	90	
56018-53	19-21	RAM 1500 New Body Style Except with Split Tail Gate	75	90	
56021	13-14	RAM 3500 Except w/RamBox Cargo Management System	42	90	
	15-19	RAM 3500 Except w/RamBox Cargo Management System or Models w/Air Suspension			
56021-53	13-14	RAM 3500 Except w/RamBox Cargo Management System	101		
	15-19	RAM 3500 Except w/RamBox Cargo Management System or Models w/Air Suspension			
56023	20-21	Chevrolet Silverado 2500 HD	47	90	
	20-21	Chevrolet Silverado 3500 HD			
	20-21	GMC Sierra 2500 HD Except with Carbon Pro Bed			
	20-21	GMC Sierra 3500 HD Except with Carbon Pro Bed			
56023-53	20-21	Chevrolet Silverado 2500 HD	107	90	
	20-21	Chevrolet Silverado 3500 HD			
	20-21	GMC Sierra 2500 HD Except with Carbon Pro Bed			
	20-21	GMC Sierra 3500 HD Except with Carbon Pro Bed			
56034	15-20	Ford F-150 Except Raptor	25		
56034-53	15-20	Ford F-150	78		
58023	02-08	Dodge Ram 1500	3		
	03-10	Dodge Ram 2500 Except w/Overload Springs			
	03-10	Dodge Ram 3500 Except w/Overload Springs			
	11-12	RAM 2500 Except w/Overload Springs			
	11-12	RAM 3500 Except w/Overload Springs			
58166	02-08	Dodge Ram 1500	1		
	03-10	Dodge Ram 2500 Except w/Overload Springs			
	03-10	Dodge Ram 3500 Except w/Overload Springs			
	11-12	RAM 2500 Except w/Overload Springs			
	11-12	RAM 3500 Except w/Overload Springs			
58186	03-10	Dodge Ram 2500 w/Overload Springs	12		
	03-10	Dodge Ram 3500 w/Overload Springs			
	11-12	RAM 2500 w/Overload Springs			
	11-12	RAM 3500 w/Overload Springs			
58197	00-06	Toyota Tundra Regular Cab 8 ft. Bed	1		
58309	07-21	Toyota Tundra	3		
58386	09-10	Dodge Ram 1500	18		
	11-12	RAM 1500			
	13-18	RAM 1500 Except w/Air Suspension or w/ECODiesel Engine			
58405	04-15	Nissan Titan	26		
58425	05-20	Ford F-250 Super Duty Except Cab & Chassis	4		
	05-20	Ford F-350 Super Duty Except Cab & Chassis			
	08-20	Ford F-450 Super Duty Except Cab & Chassis			
58426	04-14	Ford F-150	15		
58432	02-08	Dodge Ram 1500 Except Mega Cab	7		
58433	09-10	Dodge Ram 1500	4		
	11-12	RAM 1500 Except 5.7 ft. Bed			
	13-14	RAM 1500 Except 5.7 ft. Bed and Models w/Air Suspension			
58520	13-20	RAM 3500	14		
58522	14-21	RAM 2500	11		
58523	09-10	Dodge Ram 1500	19		
	11-12	RAM 1500			
	19	RAM 1500 (Classic), Except w/Air Suspension			
	14-18	RAM 1500 Except w/Air Suspension			
58531	13	RAM 1500 Except w/Air Suspension or w/ECODiesel Engine	9		
	15-20	Ford F-150 Except Raptor			
<b>M SERIES</b>					
30890	16-19	Chevrolet Silverado 2500 HD w/Factory HD Towing Option	146		
	16-19	Chevrolet Silverado 3500 HD w/Factory HD Towing Option			
	16-19	GMC Sierra 2500 HD w/Factory HD Towing Option			
	16-19	GMC Sierra 3500 HD w/Factory HD Towing Option			
30895	16-19	Chevrolet Silverado 2500 HD w/Factory HD Towing Option	146		
	16-19	Chevrolet Silverado 3500 HD w/Factory HD Towing Option			
	16-19	GMC Sierra 2500 HD w/Factory HD Towing Option			
	16-19	GMC Sierra 3500 HD w/Factory HD Towing Option			

PC	PART NO.	YEARS	MAKE/MODEL	WGT LBS	IN
	30918	14-20	RAM 2500 w/Factory HD Towing Option	186	
		14-20	RAM 3500 w/Factory HD Towing Option		
	30919	14-20	RAM 2500 w/Factory HD Towing Option	180	
		14-20	RAM 3500 w/Factory HD Towing Option		
	30921	11-20	Ford F-250 Super Duty w/Factory HD Towing Option	148	
		11-20	Ford F-350 Super Duty w/Factory HD Towing Option		
		11-20	Ford F-450 Super Duty w/Factory HD Towing Option		
	30922	11-20	Ford F-250 Super Duty w/Factory HD Towing Option	148	
		11-20	Ford F-350 Super Duty w/Factory HD Towing Option		
		11-20	Ford F-450 Super Duty w/Factory HD Towing Option		
<b>ELITE SERIES RAIL KITS</b>					
	30061	99-06	Chevrolet Silverado 1500 Except 8 ft. Bed	70	150
		07	Chevrolet Silverado 1500 Except 8 ft. Bed (Classic)		150
		01-06	Chevrolet Silverado 1500 HD		150
		07	Chevrolet Silverado 1500 HD (Classic)		150
		99-04	Chevrolet Silverado 2500 Except 8 ft. Bed		150
		01-10	Chevrolet Silverado 2500 HD Except 8 ft. Bed		150
		07-10	Chevrolet Silverado 3500 HD Except 8 ft. Bed		150
		99-06	GMC Sierra 1500 Except 8 ft. Bed		150
		07	GMC Sierra 1500 Except 8 ft. Bed (Classic)		150
		01-06	GMC Sierra 1500 HD		150
		07	GMC Sierra 1500 HD (Classic)		150
		99-04	GMC Sierra 2500 Except 8 ft. Bed		150
		01-10	GMC Sierra 2500 HD Except 8 ft. Bed		150
		07-10	GMC Sierra 3500 HD Except 8 ft. Bed		150
	30064	04-14	Ford F-150	62	120
	30067	02-08	Dodge Ram 1500 Except Mega Cab	63	120
		03-10	Dodge Ram 2500 Except Mega Cab		120
		03-10	Dodge Ram 3500 Except Mega Cab		120
		11-12	RAM 2500 Except Mega Cab		120
		11-12	RAM 3500 Except Mega Cab		120
	30073	99-10	Ford F-250 Super Duty Except Cab & Chassis	84	120
		99-10	Ford F-350 Super Duty Except Cab & Chassis		120
		08-10	Ford F-450 Super Duty Except Cab & Chassis		120
	30074	02-08	Dodge Ram 1500	85	120
		03-10	Dodge Ram 2500		120
		03-10	Dodge Ram 3500		120
		11-13	RAM 2500		120
		11-12	RAM 3500		120
	30126	11-16	Ford F-250 Super Duty Except Cab & Chassis	105	
		11-16	Ford F-350 Super Duty Except Cab & Chassis		
		11-16	Ford F-450 Super Duty Except Cab & Chassis		
	30180	17-21	Ford F-250 Super Duty Except with Factory Prep Kit	116	
		17-21	Ford F-350 Super Duty Except with Factory Prep Kit		
		17-21	Ford F-450 Super Duty Except with Factory Prep Kit		
	30852	10	Dodge Ram 2500	113	
		10	Dodge Ram 3500		
		11-12	RAM 2500		
		11-12	RAM 3500		
	30868	11-19	Chevrolet Silverado 2500 HD Except with OEM HD Towing Prep Package	120	
		11-19	Chevrolet Silverado 3500 HD Except with OEM HD Towing Prep Package		
		11-19	GMC Sierra 2500 HD Except with OEM HD Towing Prep Package and Carbon Pro Bed		
		11-19	GMC Sierra 3500 HD Except with OEM HD Towing Prep Package and Carbon Pro Bed		
	30886f	17-20	Ford F-250 Super Duty Except Cab & Chassis	95	
		17-20	Ford F-350 Super Duty Except Cab & Chassis		
		17-20	Ford F-450 Super Duty Except Cab & Chassis		
<b>ELITE SERIES ACCESS.</b>					
	30154	13-20	RAM 2500 w/Factory HD Towing Option	90	
		13-20	RAM 3500 w/Factory HD Towing Option		
	30156	11-20	Ford F-250 Super Duty w/Hitch Prep Package	54	
		11-20	Ford F-350 Super Duty w/Hitch Prep Package		
	30899	16-20	GMC Sierra 2500 HD w/ Factory Towing Package	95	15
		16-20	GMC Sierra 3500 HD w/ Factory Towing Package		15
<b>ELITE SERIES GOOSENECK</b>					
	30138-26	11-16	Ford F-250 Super Duty Except Cab & Chassis	120	
		11-16	Ford F-350 Super Duty Except Cab & Chassis		
		11-16	Ford F-450 Super Duty Except Cab & Chassis		
	30158-52	10	Dodge Ram 2500	163	
		10	Dodge Ram 3500		
		11-12	RAM 2500		
		11-12	RAM 3500		

PC	PART NO.	YEARS	MAKE/MODEL	WGT LBS	IN
	30158-68	11-19	Chevrolet Silverado 2500 HD Except with OEM HD Towing Prep Package	170	
		11-19	Chevrolet Silverado 3500 HD Except with OEM HD Towing Prep Package		
		11-19	GMC Sierra 2500 HD Except with OEM HD Towing Prep Package and Carbon Pro Bed		
		11-19	GMC Sierra 3500 HD Except with OEM HD Towing Prep Package and Carbon Pro Bed		
<b>UNDER-BED GOOSENECK</b>					
	9460-39	94-01	Dodge Ram 1500	91	90
		94-02	Dodge Ram 2500		90
		94-02	Dodge Ram 3500		90
	9460-49	99-16	Ford F-250 Super Duty Except Cab & Chassis	102	90
		99-16	Ford F-350 Super Duty Except Cab & Chassis		90
		08-16	Ford F-450 Super Duty Except Cab & Chassis		90
	9464-35	06-08	Dodge Ram 1500 Mega Cab	114	90
		03-10	Dodge Ram 2500		90
		03-10	Dodge Ram 3500		90
		11-12	RAM 2500		90
		11-12	RAM 3500		90
	9464-38	02-08	Dodge Ram 1500 Except Mega Cab	110	90
	9464-46	09-10	Dodge Ram 1500	121	90
		19	RAM 1500 (Classic), Except w/Air Suspension		90
		11-18	RAM 1500 Except w/Air Suspension		90
	9464-57	10	Dodge Ram 2500	124	110
		10	Dodge Ram 3500		110
		11-13	RAM 2500		125
		11-12	RAM 3500		110
	9465-34	99-04	Chevrolet Silverado 2500	93	105
		01-10	Chevrolet Silverado 2500 HD		105
		07-10	Chevrolet Silverado 3500 HD		105
		99-04	GMC Sierra 2500		105
		01-10	GMC Sierra 2500 HD		105
		07-10	GMC Sierra 3500 HD		105
	9465-36	07-19	Toyota Tundra	94	90
	9465-37	04-14	Ford F-150	91	90
	9465-40	88-99	Chevrolet C1500	101	105
		88-99	Chevrolet C2500		105
		88-00	Chevrolet C3500 Except Crew Cab		105
		88-99	Chevrolet K1500		105
		88-99	Chevrolet K2500		105
		88-00	Chevrolet K3500 Except Crew Cab		105
		88-99	GMC C1500		105
		88-99	GMC C2500		105
		88-00	GMC C3500 Except Crew Cab		105
		88-99	GMC K1500		105
		88-99	GMC K2500		105
		88-00	GMC K3500 Except Crew Cab		105
	9465-45	01-06	Chevrolet Silverado 3500 8 ft. Bed	106	90
		07	Chevrolet Silverado 3500 8 ft. Bed (Classic)		90
		01-06	GMC Sierra 3500 8 ft. Bed		90
		07	GMC Sierra 3500 8 ft. Bed (Classic)		90
	9465-54	99-13	Chevrolet Silverado 1500	96	105
		07	Chevrolet Silverado 1500 (Classic)		105
		14-19	Chevrolet Silverado 1500 Does Not Fit MagneRide Magnetic Ride Suspension		105
		01-07	Chevrolet Silverado 1500 HD		105
		99-04	Chevrolet Silverado 2500 6.6 ft. Bed		105
		99-13	GMC Sierra 1500		105
		07	GMC Sierra 1500 (Classic)		105
		01-06	GMC Sierra 1500 HD		105
		14-19	GMC Sierra 1500 LD (Old Body Style) Does Not Fit MagneRide Magnetic Ride Suspension or Carbon Pro Bed		105
		99-04	GMC Sierra 2500 6.6 ft. Bed		105
	9465-56	11-19	Chevrolet Silverado 2500 HD Except with OEM HD Towing Prep Package	97	45
		11-19	Chevrolet Silverado 3500 HD Except with OEM HD Towing Prep Package		45
		11-19	GMC Sierra 2500 HD Except with OEM HD Towing Prep Package or Carbon Pro Bed		45
		11-19	GMC Sierra 3500 HD Except with OEM HD Towing Prep Package and Carbon Pro Bed		45
	9465-91	15-20	Ford F-150 Except Raptor	88	90
	9466	13-18	RAM 3500 (Gooseneck Head Does Not Require Rail Kit)	52	60

# GOOSENECK HITCHES

PC	PART NO.	YEARS	MAKE/MODEL	WGT LBS	IN			
	9467	14-18	RAM 2500 (Gooseneck Head Does Not Require Rail Kit)	52	30			
	9468-94	17-20	Ford F-250 Super Duty Except Cab & Chassis	169	120			
		17-20	Ford F-350 Super Duty Except Cab & Chassis					
		17-20	Ford F-450 Super Duty Except Cab & Chassis					
<b>ABOVE-BED GOOSENECK</b>								
	4434	99-02	Chevrolet Silverado 2500	59	105			
		01-10	Chevrolet Silverado 2500 HD					
		07-10	Chevrolet Silverado 3500 HD					
		99-04	GMC Sierra 2500					
		01-10	GMC Sierra 2500 HD					
		07-10	GMC Sierra 3500 HD					
	4435	06-08	Dodge Ram 1500 Mega Cab	71	90			
		03-10	Dodge Ram 2500					
		03-10	Dodge Ram 3500					
		11-12	RAM 2500					
		11-12	RAM 3500					
	4436	07-19	Toyota Tundra	57	90			
	4437	04-14	Ford F-150	55	90			
	4438	02-08	Dodge Ram 1500 Except Mega Cab	66	90			
	4439	94-01	Dodge Ram 1500	48	90			
		94-02	Dodge Ram 2500					
		94-02	Dodge Ram 3500					
	4440	88-99	Chevrolet C1500	65	105			
		88-99	Chevrolet C2500					
		88-00	Chevrolet C3500 Except Crew Cab					
		88-99	Chevrolet K1500					
		88-99	Chevrolet K2500					
		88-00	Chevrolet K3500 Except Crew Cab					
		88-99	GMC C1500					
		88-99	GMC C2500					
		88-00	GMC C3500 Except Crew Cab					
		88-99	GMC K1500					
		88-99	GMC K2500					
		88-00	GMC K3500 Except Crew Cab					
		4445	01-06			Chevrolet Silverado 3500 8 ft. Bed	61	90
			07			Chevrolet Silverado 3500 8 ft. Bed (Classic)		
	01-06		GMC Sierra 3500 8 ft. Bed					
	07		GMC Sierra 3500 8 ft. Bed (Classic)					
	4446	09-10	Dodge Ram 1500	82	90			
		19	RAM 1500 (Classic) Except w/Air Suspension					
		11-18	RAM 1500 Except w/Air Suspension					
	4449	99-16	Ford F-250 Super Duty Except Cab & Chassis	78	90			
		99-16	Ford F-350 Super Duty Except Cab & Chassis					
		08-16	Ford F-450 Super Duty Except Cab & Chassis					
	4454	99-13	Chevrolet Silverado 1500	57	105			
		07	Chevrolet Silverado 1500 (Classic)					
		14-19	Chevrolet Silverado 1500 Does Not Fit MagneRide Magnetic Ride Suspension					
		01-06	Chevrolet Silverado 1500 HD					
		07	Chevrolet Silverado 1500 HD (Classic)					
		99-04	Chevrolet Silverado 2500 6.6 ft. Bed					
		99-13	GMC Sierra 1500					
		07	GMC Sierra 1500 (Classic)					
		01-06	GMC Sierra 1500 HD					
		07	GMC Sierra 1500 HD (Classic)					
		14-19	GMC Sierra 1500 LD (Old Body Style) Does Not Fit MagneRide Magnetic Ride Suspension or Carbon Pro Bed					
		99-04	GMC Sierra 2500 6.6 ft. Bed					
	4456	11-19	Chevrolet Silverado 2500 HD Except with OEM HD Towing Prep Package	58	45			
		11-19	Chevrolet Silverado 3500 HD Except with OEM HD Towing Prep Package					
		11-19	GMC Sierra 2500 HD Except with OEM HD Towing Prep Package or Carbon Pro Bed					
		11-19	GMC Sierra 3500 HD Except with OEM HD Towing Prep Package and Carbon Pro Bed					
	4457	10	Dodge Ram 2500	84	110			
		10	Dodge Ram 3500					
		11-13	RAM 2500					
		11-12	RAM 3500					
	4491	15-20	Ford F-150 Except Raptor	51	90			
	4494	17-20	Ford F-250 Super Duty Except Cab & Chassis	110	120			
		17-20	Ford F-350 Super Duty Except Cab & Chassis					
		17-20	Ford F-450 Super Duty Except Cab & Chassis					

Part Number	Description	Page Number
001501	Grease Cap	N-12
001503	Grease Cap	N-12
001505	Grease Cap	N-12
001515	Grease Cap	N-12
001520	Grease Cap	N-12
001521	Grease Cap	N-12
001523	Grease Cap	N-12
001524	Grease Cap	N-12
001526	Grease Cap	N-12
001531	Grease Cap	N-12
001601	Grease Cap	N-12
001602	Grease Cap	N-12
001604	Grease Cap	N-12
001605	Grease Cap	N-12
001607	Grease Cap	N-12
001609	Grease Cap	N-12
002120	Trailer End Wiring	C-17
002125	Trailer End Wiring	C-17
002130	Trailer End Wiring	C-17
002215	Trailer End Wiring	C-17
002220	Trailer End Wiring	C-17, M-18, M-22
002230	Trailer End Wiring	C-17
002235	Trailer End Wiring	C-17
002240	Trailer End Wiring	C-17
002275	Trailer End Wiring	C-20
002280	Trailer End Wiring	C-20
002285	Trailer End Wiring	C-20
002290	Trailer End Wiring	C-20
002301	Vehicle End Wiring	C-17, M-8, M-9, M-18, M-20, M-22
002309	Vehicle End Wiring	C-20
002401	Trailer End Wiring	C-17
002402	Trailer End Wiring	C-17
002408	Ag Wire Harness	C-31
002409	Trailer End Wiring	C-20
002410	Ag Wire Harness	C-31
002415	Ag Wire Harness	C-31
002425	Ag Wire Harness	C-31
002430	Ag Wire Harness	C-31
002435	Ag Wire Harness	C-31
002478	Trailer End Wiring	C-24
002500	Ag Wire Harness	C-30
002504	Ag Wire Harness	C-31
002505	Ag Wire Harness	C-31
002510	Ag Wire Harness	C-31
002515	Ag Wire Harness	C-31
002590	Agriculture Light	M-46, M-48
002625	Agriculture Light	C-30
002670	Agriculture Light	M-47
002675	Agriculture Light	M-48
002676	Agriculture Light	M-48
002802	Wire Clip	C-38
002805	Wire Nut	C-38
002806	Wire Tap	C-38
002807	Wire Tap	C-38
003101	Side Marker Light	M-20, M-35
003103	Side Marker Light	M-35
003121	Side Marker Light	M-35
003123	Side Marker Light	M-35
0031350300	Trailer Jack Plate	J-13, J-15
0031550300	Trailer Jack Mount	J-16, J-32
003225	Side Marker Light	M-36
003230	Side Marker Light	M-31
003231	Side Marker Light	M-31
003238	Side Marker Light	M-31
003239	Side Marker Light	M-31
003272	Side Marker Light	M-31
003273	Side Marker Light	M-31
003306	Trailer ID Light Bar	M-39

Part Number	Description	Page Number
003330	Side Marker Lens	M-36
003337	Trailer Light Lens	M-35
003338	Trailer Light Lens	M-22, M-35
003340	Trailer Light Lens	M-36
003358	Trailer Reflector	M-41
003387	Trailer Reflector	M-42
003388	Trailer Reflector	M-42
003440	Side Marker Light	M-34
003441	Side Marker Light	M-34
0050050300	Trailer Jack Mount	J-32
0050240300	Trailer Jack Mount	J-12, J-32
006554	Trailer Taillight	M-20
007257	Adapter 7 to 5-Flat	C-32
007509	Trailer Taillight	M-20
007539	Trailer Taillight	M-20
008540	Trailer Fender	N-13
008541	Trailer Fender	N-13
008542	Trailer Fender	N-13
008543	Trailer Fender	N-13
008549	Trailer Fender	N-13
008550	Trailer Fender	N-13
008551	Trailer Fender	N-13
008553	Trailer Fender	N-13
008554	Trailer Fender	N-13
008559	Trailer Fender	N-13
008561	Trailer Fender	N-13
008563	Trailer Fender	N-13
008564	Trailer Fender	N-13
008572	Trailer Fender	N-13
008573	Trailer Fender	N-13
008574	Trailer Fender	N-13
008575	Trailer Fender	N-20
008582	Trailer Fender	N-13
008583	Trailer Fender	N-13
008584	Trailer Fender	N-13
008585	Trailer Fender	N-13
008592	Trailer Fender	N-13
008593	Trailer Fender	N-13
008594	Trailer Fender	N-13
008595	Trailer Fender	N-13
0133310S00	Ratchet Repair Kit	L-4
0133311S00	Trailer Winch Handle	L-4
0133312S00	Drive Gear	L-4
0133313S00	Trailer Winch Handle	L-4
015181	Trailer Jack Crank	J-17, J-20
0152710300	Trailer Jack Mount	J-32
0152730300	Trailer Jack Mount	J-12, J-32
0152790300	Trailer Jack Mount	J-32
017125	Trailer Jack Wheel	J-35
0180060301	Trailer Jack	J-29
0180070301	Trailer Jack Wheel	J-35
0180340301	Trailer Jack	J-35
018098	Trailer Jack Foot	J-31
0181550317	Trailer Jack Gearbox	J-29
0181590317	Trailer Jack Gearbox	J-34
0181610317	Trailer Jack Gearbox	J-29
0181620317	Trailer Jack Gearbox	J-34
0181640317	Trailer Jack Gearbox	J-34
0181670317	Trailer Jack Gearbox	J-34
0181710317	Trailer Jack Gearbox	J-34
0181730324	Trailer Jack Foot	J-31
0181770317	Trailer Jack Gearbox	J-34
0181890378	Trailer Jack Gearbox	J-34
0181910378	Trailer Jack Gearbox	J-34
0183080301	Trailer Jack Wheel	J-35
018507	Trailer Jack Caster	J-35
0185100301	Trailer Jack	J-29
0185200301	Trailer Jack	J-29
0185400301	Trailer Jack	J-35

Part Number	Description	Page Number
0185640301	Trailer Jack Foot	J-31
0190600324	Trailer Jack Wheel	J-35
0191410310	Trailer Jack Gearbox	J-29
01932-003	Drill Bit	A-9
01933-003	Drill Bit	A-9
01934-003	Drill Bit	A-9
01938-003	Drill Bit	A-9
0233010300	Coupler Adj. Tube	K-5
0233060301	Coupler Pin Kit	K-5
0233100300	Coupler Tube	K-3, K-5
0233120300	Coupler Outer Tube	K-4
024200	Coupler Repair Kit	K-10
024202	Coupler Hardware	K-7, K-12
0252010201	Hitch Safety Chain	J-31
028242	Trailer Coupler	K-9
028243	Trailer Coupler	K-9
028244	Trailer Coupler	K-9
028287	Trailer Coupler	K-10
028288	Trailer Coupler	K-10
028352	Trailer Hitch Ball	B-25
028375	Trailer Hitch Ball	B-25
028381	Trailer Coupler	K-9
028382	Trailer Coupler	K-9
028383	Trailer Coupler	K-9
028384	Trailer Coupler	K-10
028386	Trailer Coupler	K-10
028387	Trailer Coupler	K-9
028390	Trailer Coupler	K-10
028400	Trailer Hitch Ball	B-25
028442	Trailer Coupler	K-9
028444	Trailer Coupler	K-9
028461	Trailer Coupler	K-9
028462	Trailer Coupler	K-9
028463	Trailer Coupler	K-10
028499	Trailer Coupler	K-10
028584	Trailer Coupler	K-10
028585	Trailer Coupler	K-10
028630	Trailer Coupler	K-10
028655	Trailer Coupler	K-10
028656	Trailer Coupler	K-10
028657	Trailer Coupler	K-10
0287600300	Gooseneck Coupler	K-5
0287610300	Gooseneck Coupler	K-5
0287620300	Gooseneck Coupler	K-5
0287650300	Gooseneck Coupler	K-5
0287690300	Gooseneck Coupler	K-5
0287740300	Gooseneck Coupler	K-5
0287760300	Gooseneck Coupler	K-5
0287790300	Gooseneck Coupler	K-6
0287800300	Gooseneck Coupler	K-6
0287820300	Gooseneck Coupler	K-6
0288660300	Gooseneck Coupler	K-6
028900	Gooseneck Coupler	K-6
0289250300	Gooseneck Coupler	K-5
0289340317	Gooseneck Coupler	K-5
0289500300	Gooseneck Coupler	K-5
0289580300	Gooseneck Coupler	K-7
0289590300	Gooseneck Coupler	K-7
0289600300	Gooseneck Coupler	K-6
0289640300	Gooseneck Coupler	K-7
0289650300	Gooseneck Coupler	K-7
0289800300	Gooseneck Coupler	K-6
05330-010	Hitch Tube Cover	B-29
06237	Trailer Hitch Pin	B-20
07010-024	Hitch Tube Cover	B-29
0933301S00	Trailer Jack Handle	J-9
0933302S00	Trailer Jack Bevel	J-9
0933305S00	Trailer Jack Handle	J-9, J-10

Part Number	Description	Page Number
0933306S00	Trailer Jack Gear	J-7, J-9, J-10
0933307S00	Trailer Jack Pin	J-9
0933323S00	Trailer Jack Wheel	J-9
0933325S00	Jack Hardware	J-9
1000750	Water Wick	N-19
100235	Grease Cap	N-12
1011885-01	Trailer Jack Leg	J-5
101469	Vehicle End Wiring	C-17
1024	Breakaway Charger	C-16, N-6
1026	Breakaway Kit	C-14, N-4
1028	Breakaway Kit	C-14, N-4
1040900	Roof Top Carrier	I-2
1041000	Roof Top Carrier	I-3
1041100	Cargo Carrier Bag	I-3
1041500	Cargo Carrier	I-2
1043000	Rainproof Cargo Bag	I-3
104393	Trailer Wire Cover	C-19
104429	Wire Clip	C-38
105728	Ag Light Plug Holder	C-31
106289	Taillight Base	M-26, M-30
106293	Taillight Base	M-26, M-30
106310	Taillight Pigtail	M-39
106334	Taillight Pigtail	M-30
106410	Agriculture Light	M-20
106411	Agriculture Light	M-20
106873	Mounting Bracket	M-10, M-11, M-21, M-23, M-36
108119	Mounting Bracket	M-10, M-11, M-21, M-23, M-36
108297	Side Marker Base	M-26, M-30
108318	Agriculture Light	C-31
108663	Clearance Lamp Plug	M-24, M-26, M-29, M-30, M-39
108820	Trailer End Wiring	C-17
108825	Trailer End Wiring	C-17, M-8, M-9, M-20
108830	Trailer End Wiring	C-17
108835	Trailer End Wiring	C-17
108840	Trailer End Wiring	C-17
108891	Taillight Bulb	M-17, M-18, M-19, M-20, M-21, M-22, M-34, M-35, M-44
11003	Hitch Extension	B-16
11004	Hitch Extension	B-16
11006	Hitch Extension	B-16
11029	Hitch Receiver Tube	A-9
11081	Hitch Receiver Tube	A-9
11200 0101	Trailer Coupler	K-11
1124	Drill Bit	A-9
11250 0101	Trailer Coupler	K-11
11300 0101	Trailer Coupler	K-11
117300	Fifth Wheel Head	F-7, G-5
117398	Display Rack	O-4
117399	Marine Jack Endcaps	O-4
117400	RV Jack Endcaps	O-4
11755	Dielectric Grease	C-37
118001	Vehicle End Wiring	C-18
118001-024	Vehicle End Wiring	C-18
118001-200	Vehicle End Wiring	C-18
118002	Vehicle End Wiring	C-18
118002-024	Vehicle End Wiring	C-18
118002-200	Vehicle End Wiring	C-18
118004	Trailer End Wiring	C-18
118004-012	Trailer End Wiring	C-18
118009	Trailer End Wiring	C-18
118016	Vehicle End Wiring	C-20
118016-025	Vehicle End Wiring	C-20
118017	Trailer End Wiring	C-20
118019	Adapter 7 to 12v	C-33



<b>Part Number</b>	<b>Description</b>	<b>Page Number</b>
118020	Vehicle Connector	C-41
118020-006	Vehicle Connector	C-23
118020-050	Vehicle Connector	C-23
118021	Trailer Connector	C-23
118021-006	Trailer Connector	C-23
118021-050	Trailer Connector	C-23
118030	Vehicle Connector	C-23
118031	Trailer Connector	C-23
118033	Trailer End Wiring	C-18
118033-012	Trailer End Wiring	C-18
118036	Vehicle Connector	C-21
118036-006	Vehicle Connector	C-21
118036-050	Vehicle Connector	C-21
118037	Trailer Connector	C-21
118037-006	Trailer Connector	C-21
118037-050	Trailer Connector	C-21
118043	Vehicle End Wiring	C-19
118044	Tow Wiring Loop	C-18
118044-010	Tow Wiring Loop	C-18
118044-175	Tow Wiring Loop	C-18
118045	Tow Wiring Loop	C-18
118045-010	Tow Wiring Loop	C-18
118045-175	Tow Wiring Loop	C-18
118077	Wiring Connectors	C-18
118101	Vehicle Connector	C-18
118102	Trailer End Wiring	C-18
118104	Adapter 4 to 6-Sq.	C-21
118132	Mounting Bracket	C-34
118136	Mounting Bracket	C-35
118137	Mounting Bracket	C-35
118137-010	Mounting Bracket	C-35
118138	Mounting Bracket	C-35
118138-010	Mounting Bracket	C-35
118140	Mounting Bracket	C-35
118144	Mounting Bracket	C-35
118144-010	Mounting Bracket	C-35
118149	Mounting Bracket	C-34
118149-010	Mounting Bracket	C-34
118150	Wiring Kit	C-10
118151	Wiring Kit	C-10
118156	Mounting Bracket	C-36
118156-010	Mounting Bracket	C-36
118157	Mounting Bracket	C-36
118157-010	Mounting Bracket	C-36
118158	Taillight Converter	C-11
118159	Mounting Bracket	C-36
118159-010	Mounting Bracket	C-36
118172-024	Vehicle End Wiring	C-18
118172-150	Vehicle End Wiring	C-18
118185	Tow Wiring Loop	C-18
118185-025	Tow Wiring Loop	C-18
118192	Trailer End Wiring	C-18
118215	Tow Wiring Loop	C-20
118601	Adapter 4 to 4-Flat	C-32
118603	Vehicle End Wiring	C-19
118607	Brake Control Wiring	C-29, D-7
118636	Tow Wiring Loop	C-18
118664	Wire Extension Cable	C-26
118665	Battery Isolator	C-37
118666	Wire Extension Cable	C-26
118700	Adapter 6 to 4-Flat	C-32
118700-050	Adapter 6 to 4-Flat	C-32
118702	Adapter 7 to 4-Flat	C-41
118702-050	Adapter 7 to 4-Flat	C-32
118703	Adapter 7 to 5-Flat	C-32
118704	Adapter 7 to 6-Way	C-41
118704-050	Adapter 7 to 6-Way	C-32
118708	Adapter 7 to 6-Way	C-41

<b>Part Number</b>	<b>Description</b>	<b>Page Number</b>
118708-050	Adapter 7 to 6-Way	C-32
118709	Adapter 7 to 4-Flat	C-32
118710	Adapter 7 to 4-Flat	C-32
118799	Brake Control Wiring	C-29
118821	Isolating System	C-11
119130	Taillight Converter	C-11
119130-012	Taillight Converter	C-11
119130-050	Taillight Converter	C-11
119147	Taillight Pwr Module	C-9
119147-012	Taillight Pwr Module	C-9
119147-050	Taillight Pwr Module	C-9
119148	Taillight Pwr Module	C-9
119177	Taillight Pwr Module	C-9
119178	Taillight Converter	C-11
119178-012	Taillight Converter	C-11
119178-050	Taillight Converter	C-11
119190	Taillight Pwr Module	C-8
119190-012	Taillight Pwr Module	C-8
119190-050	Taillight Pwr Module	C-8
119191	Taillight Pwr Module	C-8
119192	Taillight Pwr Module	C-10
119250	Taillight Pwr Module	C-8
119251	Taillight Pwr Module	C-8
1202	Hitch Tube Cover	B-24
1289000300	Gooseneck Coupler	K-3
1289020300	Gooseneck Coupler	K-3
1289030300	Gooseneck Coupler	K-3
1289040300	Gooseneck Coupler	K-3
1289050300	Gooseneck Coupler	K-3
1289070300	Gooseneck Coupler	K-3
1289080300	Gooseneck Coupler	K-3
1289130300	Gooseneck Coupler	K-4
1289140300	Gooseneck Coupler	K-4
1289170300	Gooseneck Coupler	K-3
1289200300	Gooseneck Coupler	K-4
1289210300	Gooseneck Coupler	K-4
1291020340	Lunette Ring	K-7
1291020383	Lunette Ring	K-7
1390100	Cargo Carrier Bag	I-3
1390600	Ratcheting Cargo Bar	I-6
1391300	Roof Top Carrier	I-2
1391800	Roof Top Bag	I-9
1393100G	4 Bicycle Rack	I-5
13937DT	Cargo Net	I-10
1394400	Cargo Basket	I-2
1394500	Cargo Carrier	I-2
1394900	Kayak Carrier	I-6
1395800	Cargo Carrier	I-2
1400300303	Trailer Jack	J-27
1400400303	Trailer Jack	J-27
1400600303	Trailer Jack	J-27
1400700340	Trailer Jack Plate	J-31
1400750340	Trailer Jack Caster	J-31
1400800383	Trailer Jack	J-28
1400830383	Trailer Jack	J-34
1400850383	Trailer Jack	J-28
1400860383	Trailer Jack	J-28
1400920383	Trailer Jack Handle	J-28
140094	Trailer Jack	J-28
1400950376	Trailer Jack	J-28
1400960376	Trailer Jack	J-28
1400980376	Trailer Jack	J-28
1400990376	Trailer Jack	J-28
1401000303	Trailer Jack	J-27
1401010376	Trailer Jack	J-28
1401020303	Trailer Jack	J-27
1401030303	Trailer Jack	J-27
1401040303	Trailer Jack	J-27
1401060303	Trailer Jack	J-27

Part Number	Description	Page Number
1401080303	Trailer Jack	J-27
1401140303	Trailer Jack	J-27
1401200303	Trailer Jack	J-27
1401420303	Trailer Jack	J-27
1401440303	Trailer Jack	J-27
1401460303	Trailer Jack	J-27
1401480303	Trailer Jack	J-27
1401500383	Trailer Jack	J-34
1401520383	Trailer Jack	J-34
1401600383	Trailer Jack	J-28
1401610383	Trailer Jack	J-34
1410050149	Trailer Jack Wheel	J-10
141133	Trailer Jack	J-7
141160	Trailer Jack	J-7
1413020134	Trailer Jack	J-8
1413040134	Trailer Jack	J-8
1413050334	Trailer Jack	J-37
1413060334	Trailer Jack	J-37
1413140334	Trailer Jack	J-8
1413200334	Trailer Jack	J-34
1413200334	Trailer Jack	J-37
1413230134	Trailer Jack	J-8
1413250334	Jack and Coupler	J-8
141401	Marine Jack	J-7
142001	Trailer Winch	L-6
142006	Trailer Winch	L-6
142026	Trailer Winch	L-6
142100	Trailer Winch	L-6
142102	Trailer Winch	L-6
142103	Trailer Winch	L-6
142200	Trailer Winch	L-6
142203	Trailer Winch	L-6
142208	Trailer Winch	L-6
142226	Trailer Winch	L-6
142300	Trailer Winch	L-6
142305	Trailer Winch	L-6
142310	Trailer Winch	L-5
142311	Trailer Winch	L-5
142313	Trailer Winch	L-5
142314	Trailer Winch	L-5
142315	Trailer Winch	L-5
142316	Trailer Winch	L-5
142326	Trailer Winch	L-6
142400	Trailer Winch	L-7
142410	Trailer Winch	L-7
142411	Trailer Winch	L-7
142415	Trailer Winch	L-7
142420	Trailer Winch	L-7
142430	Trailer Winch	L-7
143001	Brake Winch	L-8
143005	Brake Winch	L-8
143100	Brake Winch	L-8
143104	Brake Winch	L-8
143200	Brake Winch	L-8
14-715810	Junction Box	C-36
150000	Trailer Jack	J-14
150037	Trailer Jack	J-14
1500520317	Trailer Jack	J-14
1501040301	Trailer Jack	J-11
150152	Trailer Jack	J-14
150441	Trailer Jack	J-11
151101	Trailer Jack	J-12
151110	Trailer Jack	J-12
151159	Trailer Jack	J-12
151401	Trailer Jack	J-12
151421	Trailer Jack	J-12
151443	Trailer Jack	J-13
151460	Trailer Jack	J-12
151464	Trailer Jack	J-12

Part Number	Description	Page Number
154102	Trailer Jack	J-13
154107	Trailer Jack	J-13
1541150301	Trailer Jack	J-11
1542S01	Coupler Repair Kit	K-5
1550100317	Trailer Jack	J-13
1550101344	Trailer Jack	J-13
155022	Trailer Jack	J-13
155028	Trailer Jack	J-13
155032	Trailer Jack	J-13
155033	Trailer Jack	J-13
155100	Trailer Jack	J-13
155157	Trailer Jack	J-13
158109	Trailer Jack	J-11
1581090301	Trailer Jack	J-11
158151	Trailer Jack	J-11
1581510117	Trailer Jack	J-11
158451	Trailer Jack	J-11
158452	Trailer Jack	J-11
158488	Trailer Jack	J-11
1596S01	Trailer Winch Repair	L-4
161300	Jack Bracket & Wheel	J-34
162300	Jack Bracket & Wheel	J-34
165111	Trailer Jack Foot	J-34
165211	Trailer Jack Wheel	J-34
165311	Trailer Jack	J-34
165411	Trailer Jack	J-29
165412	Trailer Jack	J-34
169201	Trailer Jack Wheel	J-29
1700100301	Trailer Jack	J-13
1700100317	Trailer Jack	J-13
1701480317	Trailer Jack	J-14
170205	Trailer Jack	J-14
171401	Trailer Jack	J-12
171412	Trailer Jack	J-12
1750290301	Trailer Jack	J-13
1750290317	Trailer Jack	J-13
178101	Trailer Jack	J-11
178151	Trailer Jack	J-11
178201	Trailer Jack	J-11
178203	Trailer Jack	J-11
18004001	Trailer End Wiring	C-17
180304	Trailer Jack	J-17
180354	Trailer Jack	J-17
180405	Trailer Jack	J-17
18044001	Tow Wiring Loop	C-17
18045001	Tow Wiring Loop	C-17
180455	Trailer Jack	J-17
180587	Trailer Jack	J-17
18185001	Tow Wiring Loop	C-17
182300	Trailer Jack	J-19
182304	Trailer Jack	J-19
1823050383	Trailer Jack	J-24
1823060383	Trailer Jack	J-33
182400	Trailer Jack	J-19
182404	Trailer Jack	J-19
182411	Trailer Jack	J-19
182415	Trailer Jack	J-19
1824180100	Trailer Jack	J-20
1824200100	Trailer Jack	J-20
182500	Trailer Jack	J-19
182524	Trailer Jack	J-19
182700	Trailer Jack	J-22
182701	Trailer Jack	J-22
182800	Trailer Jack	J-19
182804	Trailer Jack	J-19
182805	Trailer Jack	J-19
182815	Trailer Jack	J-19
183401	Trailer Jack	J-23
183416	Trailer Jack	J-23

Part Number	Description	Page Number
183749	Trailer Jack	J-22
183750	Trailer Jack	J-22
183816	Trailer Jack	J-23
183900	Trailer Jack	J-33
183901	Trailer Jack	J-23
183902	Trailer Jack	J-23
183903	Trailer Jack	J-23
1839050383	Trailer Jack	J-33
1839060383	Trailer Jack	J-33
185400	Trailer Jack	J-21
185402	Trailer Jack	J-21
190704	Trailer Jack	J-16
1907040176	Trailer Jack	J-34
190705	Trailer Jack	J-16
190706	Trailer Jack	J-16
190708	Trailer Jack	J-16
190724	Trailer Jack	J-16
190754	Trailer Jack	J-16
1907540176	Trailer Jack	J-16
190756	Trailer Jack	J-16
190758	Trailer Jack	J-16
190789	Trailer Jack	J-34
19306	Gooseneck Hitch Ball	G-6
19307	Gooseneck Hitch Ball	G-6
19308	Gooseneck Hitch Ball	G-6
19309	Gooseneck Hitch Ball	G-6
19310	Gooseneck Hitch Ball	F-9, G-9
19311	Gooseneck Hitch Ball	G-5
19314	Gooseneck Hitch Ball	G-5
19315	Gooseneck Hitch Ball	G-5
1935	Drill Bit	A-9
1937	Drill Bit	A-9
195301	Trailer Jack	J-34
195304	Trailer Jack	J-15
195306	Trailer Jack	J-15
195312	Trailer Jack	J-15
195318	Trailer Jack	J-15
195319	Trailer Jack	J-34
195320	Trailer Jack	J-15
195321	Trailer Jack	J-15
195351	Trailer Jack	J-15
195352	Trailer Jack	J-15
195354	Trailer Jack	J-15
195356	Trailer Jack	J-15
195362	Trailer Jack	J-15
195368	Trailer Jack	J-15
195369	Trailer Jack	J-15
1962	Safety Chain Loop	N-16
198100	Trailer Jack	J-11
198150	Trailer Jack	J-11
198200	Trailer Jack	J-11
198250	Trailer Jack	J-11
20000	Battery Case	C-16
20000	Battery Case	N-6
20005	Breakaway Kit	C-14
20005	Breakaway Kit	N-4
20010	Breakaway Kit	C-14
20010	Breakaway Kit	N-4
20015	Breakaway Kit	C-14
20015	Breakaway Kit	N-4
20020	Breakaway Kit	C-14
20020	Breakaway Kit	N-4
20034-025	Butt Connectors	C-38
20035-025	Butt Connectors	C-38
20046	Mounting Bracket	C-35
20059	Brake Control Kit	D-4, D-5
2005-A	Breakaway Cable	C-15, N-5
2005-B120	Breakaway Switch	C-15, N-5

Part Number	Description	Page Number
2005-P	Breakaway Switch	C-15, N-5
20060	Brake Control Kit	D-6
20060	Brake Control Kit	D-5, D-7
2009-A	Breakaway Cable	C-15, N-5
2009-A-P	Breakaway Cable	C-15, N-5
2009-B60	Breakaway Switch	C-15, N-5
2009-P	Breakaway Switch	C-15, N-5
2010-A	Breakaway Switch	C-15, N-5
2010-A-P	Breakaway Switch	C-15, N-5
2010-B125	Breakaway Switch	C-15, N-5
2010-P	Breakaway Switch	C-15, N-5
20110	Fifth Wheel Harness	C-28
20111	Fifth Wheel Harness	C-28
20112-024	Trailer Wire Cover	C-19
20113	Fifth Wheel Harness	C-28
20115	Plug Tester	C-39
20116	Plug Tester	C-39
20117	Plug Tester	C-39
20118	Trailer Wire Cover	C-20
20118-024	Trailer Wire Cover	C-20
20125	Adapter 4 to 7-Way	C-29
20127	Brake Control Wiring	D-4, D-5, D-6
20127	Brake Control Wiring	D-7
20127-012	Brake Control Wiring	D-7
20128	Adapter Harness	C-27
20129	Adapter Harness	C-27
20131	Adapter Harness	C-27
20135	Tow Harness Kit	C-5
20136	Adapter 4 to 5-Flat	C-32
20137	Tow Harness Kit	C-5
20140	Fifth Wheel Harness	C-27
20141	Adapter 7 to 5-Flat	C-32
20142	Adapter 7 to 7-Way	C-32
20145	Circuit Tester	C-39
20145-010	Circuit Tester	C-39
20146	Fifth Wheel Harness	C-28
20147	Vehicle End Wiring	C-28
20160	Brake Control Wiring	D-7
20160-012	Brake Control Wiring	D-7
20174	Cargo Carrier Lights	I-9
2018	Battery Case	C-16
2018	Battery Case	N-6
20191	Brake Control	D-4
20212	Mounting Bracket	C-35
20212-010	Mounting Bracket	C-35
20223	Vehicle End Wiring	C-27
20224	Vehicle End Wiring	C-27
2023	Breakaway Battery	C-16
2023	Breakaway Battery	N-6
2023-X	Breakaway Battery	C-16, N-6
2024-07	Breakaway Charger	C-16, N-6
2024-07-S	Breakaway Charger	C-16, N-6
20250	Vehicle End Wiring	C-10
2025-09	Breakaway Charger	C-16, N-6
20251	Vehicle End Wiring	C-10
20252	Vehicle End Wiring	C-10
2026	Breakaway Kit	C-14
2026	Breakaway Kit	N-4
2028	Breakaway Kit	C-14
2028	Breakaway Kit	N-4
203111	Side Marker Light	M-20, M-35
203113	Side Marker Light	M-35
203116	Side Marker Light	M-35
203117	Side Marker Light	M-22, M-35
203131	Side Marker Light	M-35
203133	Side Marker Light	M-35
20320	Adapter 4 to 6-Way	C-29
20320-012	Adapter 4 to 6-Way	C-29
20321	Adapter 4 to 7-Way	C-41

Part Number	Description	Page Number
20321-012	Adapter 4 to 7-Way	C-29
20322	Adapter 4 to 7-Way	C-29
203233	Side Marker Light	M-31
203234	Side Marker Light	M-31
203235	Side Marker Light	M-36
203285	Side Marker Light	M-31
203286	Side Marker Light	M-31
203292	Trailer Light Lens	M-30
203293	Trailer Light Lens	M-30
203294	Trailer Light Lens	M-30
203295	Trailer Light Lens	M-30
203315	Trailer Light Bar	M-39
203380	Trailer Light Module	M-29
203381	Trailer Light Module	M-29
203395	Trailer Light Module	M-30
203396	Trailer Light Module	M-30, M-39
20501	Pulse Preventor	D-7
20505	Brake Control Wiring	D-7
20506	Brake Control Wiring	D-7
2051	Battery Case	C-16
2051	Battery Case	N-6
2060266	Ratchet Tie Down	I-6
2060366	Ratchet Tie Down	I-6
2060466	Cambuckle Tie Down	I-10
2060866	Ratchet Tie Down	I-10
2061366	Ratchet Tie Down	I-10
2061566	Ratchet Tie Down	I-10
2061766	Ratchet Tie Down	I-6
21141	Adjust Ball Mount	B-14
21501	Weight Dist. Bracket	E-8
2178	Brake Control Kit	D-4, D-6
2211	Hitch Tube Cover	B-24
22111	Tow Harness Kit	C-6
22112	Tow Harness Kit	C-6
22114	Tow Harness Kit	C-6
22115	Tow Harness Kit	C-6
22116	Tow Harness Kit	C-6
22117	Tow Harness Kit	C-6
22118	Tow Harness Kit	C-6
22119	Tow Harness Kit	C-6
22121	Tow Harness Kit	C-6
22122	Tow Harness Kit	C-6
221588	Trailer Lght Grommet	M-24, M-26, M-30
22200 0101	Trailer Coupler	K-11
222012	Trailer Light Lens	M-23
22300 0101	Trailer Coupler	K-11
223117	Side Marker Light	M-22, M-35
223210	License Plate Light	M-39
22550	Tow Harness Kit	C-41
22551	Tow Harness Kit	C-6
2423006	Trailer Taillight	M-21
2423008	Trailer Taillight	M-19
2423056	Trailer Taillight	M-21
2423058	Trailer Taillight	M-19
2423273	Trailer Taillight	M-17
2423274	Trailer Taillight	M-51
2423275	Trailer Taillight	M-17
2423283	Trailer Taillight	M-18
2423284	Trailer Taillight	M-18
2423286	Taillight Lens	M-17, M-18, M-19, M-21
2423287	Trailer Light Lens	M-17, M-19, M-21
2423293	Trailer Taillight	M-17
2423294	Trailer Taillight	M-17
2423297	Trailer Light Lens	M-18
2423500	Trailer Taillight	M-19
2471	Wire Lock Pin	N-15
2489	Hitch Safety Chain	N-15
2523023	Trailer Taillight	M-21

Part Number	Description	Page Number
2523024	Trailer Taillight	M-19
2523073	Trailer Taillight	M-21
2523074	Trailer Taillight	M-19
2527511	Trailer Taillight	M-21
26002	Sway Control	E-6
26003	Sway Control Bracket	E-6
26005	Sway Control Bracket	E-6
2706	Class III Ball Mount	B-8
271574	Trailer Taillight	M-8
271575	Trailer Taillight	M-8
271584	Trailer Taillight	M-9
271584-01	Trailer Taillight	M-9
271585	Trailer Taillight	M-9
271585-01	Trailer Taillight	M-9
271594	Trailer Taillight	M-8
271595	Trailer Taillight	M-8
273006	Trailer Taillight	M-11
273008	Trailer Taillight	M-12
273056	Trailer Taillight	M-11
273058	Trailer Taillight	M-12
273560	Trailer Taillight	M-23
273561	Trailer Taillight	M-11
273564	Trailer Taillight	M-11
273565	Trailer Taillight	M-11
2736	Class III Ball Mount	B-8
2736-006	Class III Ball Mount	B-26
2793	Class III Ball Mount	B-8
2793-002	Class III Ball Mount	B-26
281500	Trailer Taillight	M-8
281594	Trailer Taillight	M-8
281595	Trailer Taillight	M-8
2823283	Trailer Taillight	M-18
2823284	Trailer Taillight	M-18
2823285	Trailer Taillight	M-18
2823293	Trailer Taillight	M-17
2823294	Trailer Taillight	M-17
283006	Trailer Taillight	M-11
283008	Trailer Taillight	M-12
283056	Trailer Taillight	M-11
283058	Trailer Taillight	M-12
283500	Trailer Taillight	M-12
28351	Hitch Adapter	B-25
283561	Trailer Taillight	M-11
283564	Trailer Taillight	M-11
283565	Trailer Taillight	M-11
28451	Class I Drawbar Kit	B-7
2850	Hitch Receiver Tube	A-9
2851	Hitch Receiver Tube	A-9
2852	Hitch Receiver Tube	A-9
2853	Hitch Receiver Tube	A-9
2854	Hitch Receiver Tube	A-9
287512	Trailer Taillight	M-11
2898	Hitch Receiver Tube	A-9
2923	Class IV Ball Mount	B-8
2953	Class IV Ball Mount	B-8
30033	Fifth Wheel Hitch	F-14, F-18
30035	Fifth Wheel Rail Kit	F-13
30035-040	Fifth Wheel Rail Kit	F-13
30047	Fifth Wheel Hitch	F-5, F-15
30047A	Fifth Wheel Head	F-5
30048	Fifth Wheel Slider	F-7
30051	Fifth Wheel Hitch	F-5
30053	Fifth Wheel Starter	F-8
30054	Fifth Wheel Hitch	F-5, F-14
30055	Fifth Wheel Cover	F-8
3006	Hitch Receiver Tube	A-9
30-073833	Side Marker Light	M-34
30-073834	Side Marker Light	M-34
30075	Fifth Wheel Hitch	F-5

Part Number	Description	Page Number
30081	Fifth Wheel Hitch	F-14, F-17
30083	Fifth Wheel Hitch	F-14, F-17
30084	Fifth Wheel Hitch	F-14, F-17
30092	Fifth Wheel Slider	F-18
30093	Fifth Wheel Hitch	F-14, F-17
30094	Fifth Wheel Hitch	F-14, F-17
30099	Fifth Wheel Hitch	F-17
30105	6 Pole Connector Kit	C-21
30118	Fifth Wheel Hitch	F-5
30119	Fifth Wheel Hitch	F-5
30121	Fifth Wheel Hitch	F-14, F-17
30126	Fifth Wheel Rail Kit	F-14
30128	Fifth Wheel Hitch	F-17
30129	Fifth Wheel Hitch	F-17
30132	Fifth Wheel Hitch	F-5
30133	Fifth Wheel Hitch	F-17
30134	Gooseneck Chain Hook	G-5
30135	Gooseneck Hitch Ball	G-5
30136	Gooseneck Hole Cover	G-5
30137	Gooseneck Accessory	G-5
30138	Gooseneck Hitch Head	F-10, G-4
30138-26	Gooseneck Hitch	F-10, G-4
30140	Gooseneck Accessory	G-5
30142	Fifth Wheel Hitch	F-14, F-17
30143	Fifth Wheel Hitch	F-14, F-17
30144	Fifth Wheel Hitch	F-14, F-17
30145	Gooseneck Chain Hook	G-5
30153	Fifth Wheel Rails	F-12, F-14
30154	Fifth Wheel Adapter	F-7
30156	Fifth Wheel Adapter	F-5, F-14
30158	Gooseneck Hitch Head	F-10, G-4
30158-52	Gooseneck Hitch	F-10, G-4
30158-68	Gooseneck Hitch	F-10, G-4
30160	Fifth Wheel Hitch	F-14, F-18
30-17-034	Trailer Light Gasket	M-33
30-17-814	Side Marker Light	M-33
30-17-815	Side Marker Light	M-33
30180	Fifth Wheel Rail Kit	F-10, G-4
30416	Fifth Wheel Latch	F-15
30439	Fifth Wheel Hardware	F-16
30579	Fifth Wheel Handle	F-15
30-58-001	Side Marker Light	M-33
30-58-002	Side Marker Light	M-33
30-58-007	Side Marker Light	M-52
30-58-010	Trailer Light Lens	M-33
30-58-012	Trailer Light Lens	M-33
30-58-024	Trailer Light Base	M-32, M-33
30-58-702	Trailer Light Socket	M-32, M-33
30-59-001	Side Marker Light	M-32
30-59-002	Side Marker Light	M-32
30-59-003	Side Marker Light	M-32
30-59-004	Side Marker Light	M-32
30-59-010	Trailer Light Lens	M-32
30-59-012	Trailer Light Lens	M-32
30-59-054	Trailer Light Gasket	M-32, M-33
30-60-004	Interior Light	M-52
30-60-005	Utility Light	M-52
30-62-000	License Plate Light	M-40
30-62-002	License Plate Light	M-40
30-62-003	License Plate Light	M-40
30-62-030	License Bracket	M-40, M-41
30-62-102	License Plate Light	M-40
30-62-103	License Plate Light	M-40
30-72-100	License Bracket	M-41
30727	Fifth Wheel Legs	F-5
30-76-028	Interior Light Lens	M-43
30-76-123	Interior Light	M-43
30-76-223	Interior Light	M-43
30-76-243	Interior Light	M-43

Part Number	Description	Page Number
30776	Fifth Wheel Spring	F-15
30-78-021	Trailer Porch Lens	M-43
30-78-022	Trailer Porch Lens	M-43
30-78-515	Trailer Porch Light	M-43
30-78-516	Trailer Porch Light	M-43
30-78-517	Trailer Porch Light	M-43
30-78-518	Trailer Porch Light	M-43
30-78-522	Trailer Porch Light	M-43
30-78-523	Trailer Porch Light	M-43
30-78-524	Trailer Porch Light	M-43
30-78-525	Trailer Porch Light	M-43
30-78-600	Trailer Porch Light	M-43
308 0217	Trailer Coupler	K-12
30-84-001	Trailer Taillight	M-51
30-84-002	Trailer Taillight	M-15
30-84-008	Trailer Taillight	M-14
30-84-009	Trailer Taillight	M-15
30-84-057	Replacement Bulb	M-13, M-14, M-15, M-16, M-20, M-44
30-84-075	Taillight Screw	M-13, M-14, M-15, M-29, M-32
30-84-103	Trailer Taillight	M-15
30-84-104	Trailer Taillight	M-15
30845	Gooseneck Hitch	F-9, G-9
30-84-508	Trailer Taillight	M-14
30-84-509	Trailer Taillight	M-15
30-84-523	Trailer Taillight	M-51
30-84-527	Trailer Taillight	M-14
30-84-529	Trailer Taillight	M-14
30-84-540	Trailer Taillight	M-14
30-84-547	Trailer Taillight	M-14
30-84-554	Trailer Taillight	M-15
30850	Fifth Wheel Wedge	H-6
30-85-002	Trailer Taillight	M-15
30852	Fifth Wheel Rail Kit	F-14
30-86-005	Side Marker Light	M-51
30861	Fifth Wheel Wedge	H-6
30-86-101	Trailer Taillight	M-13
30-86-103	Trailer Taillight	M-13
30-86-107	Trailer Taillight	M-51
30862	Fifth Wheel Hitch	F-14, F-18
30-86-202	Side Marker Light	M-32
30-86-203	Side Marker Light	M-32
30863	Fifth Wheel Section	F-18
30864	Fifth Wheel Arches	F-18
30865	Fifth Wheel Wedge	H-6
30-86-711	Taillight Lens	M-29, M-32
30-86-712	Taillight Lens	M-29, M-32
30868	Fifth Wheel Rail Kit	F-14
30871	Fifth Wheel Hitch	F-14, F-17
30884	Center Section	F-3, F-4
30887	Gooseneck Chain Hook	G-5
30888	Gooseneck Accessory	G-5
30889	GM Leg Kit	F-4
30890	Fifth Wheel Hitch	F-4
30892	M5 32K Head	F-3, F-4
30894	Center Section	F-3, F-4
30895	Fifth Wheel Hitch	F-4
30899	Fifth Wheel Adapter	F-5
30899	Fifth Wheel Adapter	F-6
30-90-021	Taillight Bulb	M-43, M-44
30-90-156	Taillight Bulb	M-13, M-14, M-15, M-16, M-17, M-42, M-44
30-90-157	Taillight Bulb	M-17, M-18, M-19, M-21, M-22, M-44, M-47
30917	RAM Leg Kit	F-4
30918	Fifth Wheel Hitch	F-4

Part Number	Description	Page Number
30919	Fifth Wheel Hitch	F-4
30-92-001	Trailer Taillight	M-16
30-92-002	Trailer Taillight	M-16
30-92-003	Trailer Taillight	M-16
30-92-004	Trailer Taillight	M-16
30-92-012	Taillight Lens	M-16
30-92-044	Taillight Bezel	M-16
30921	Fifth Wheel Hitch	F-4
30-92-106	Trailer Taillight	M-16
30-92-107	Trailer Taillight	M-16
30-92-108	Trailer Taillight	M-16
30-92-109	Trailer Taillight	M-16
30922	Fifth Wheel Hitch	F-4
30923	Ford Leg Kit	F-4
30926	Leg Kit	F-3
30927	Leg Kit	F-3
30-92-704	Taillight Lens	M-16
30-92-708	Taillight Lens	M-16
30-92-713	Taillight Lens	M-16
30928	Fifth Wheel Hitch	F-3
30929	Fifth Wheel Hitch	F-3
30931	M5 Fifth Wheel Legs	F-4
30932	M5 Fifth Wheel Center Section	F-4
30937	M5 Fifth Wheel Legs	F-4
30938	Fifth Wheel	F-4
30938	M5 Fifth Wheel	F-4
30939	M5 Fifth Wheel	F-4
30939	M5 Fifth Wheel	F-4
30942	M5 Fifth Wheel Legs	F-4
30944	M5 Fifth Wheel	F-4
30949	M5 Fifth Wheel Legs	F-4
30950	M5 Fifth Wheel	F-4
30-99-001	Side Marker Light	M-34
30-99-002	Side Marker Light	M-34
30-99-010	Trailer Light Lens	M-34
30-99-012	Trailer Light Lens	M-34
31016	Fifth Wheel Wedge	H-6
31-2823285	Trailer Taillight	M-18
3132	Trans Cooler Hose	N-19
31-407540	Trailer Taillight	M-8
31-407560	Trailer Taillight	M-9
31-59-001	Side Marker Light	M-32
31-59-002	Side Marker Light	M-32
31-59-010	Trailer Light Lens	M-32
31-59-012	Trailer Light Lens	M-32
31-78-531	Trailer Porch Light	M-43
31-84-010	Taillight Lens	M-13, M-14, M-15
31-84-016	Taillight Lens	M-13, M-14, M-15
31-84-700	Taillight Lens	M-13, M-14, M-15
31-84-711	Taillight Lens	M-13, M-14, M-15
31-86-101	Trailer Taillight	M-13
31-86-103	Trailer Taillight	M-13
31-92-001	Trailer Taillight	M-16
31-92-003	Trailer Taillight	M-16
3194-S	Battery Post Adaptor	C-37
31-99-001	Side Marker Light	M-34
31-99-002	Side Marker Light	M-34
31-99-215	Trailer ID Light Bar	M-39
32-003440	Side Marker Light	M-34
32-003441	Side Marker Light	M-34
3201	Weight Distributing	M-8, M-9, M-18, M-20, M-22, M-41
3202	Weight Distributing	M-41
3211	Weight Dist. Shank	M-8, M-9, M-18, M-20, M-22, M-41
3213	Weight Dist. Shank	M-41
3214	Weight Dist. Shank	E-7
3215	Weight Dist. Shank	E-7
3232	Conical Washer	M-22

Part Number	Description	Page Number
323356	Trailer Reflector	M-52
323357	Trailer Reflector	M-52
3280	Pole Tongue	E-8
3305	Hitch Pin	M-39
3327	Wght Dist Spring Bar	M-35
3328	Wght Dist Spring Bar	M-22, M-35
33305H0301	Trailer Coupler	K-12
3344	Weight Dist. Shank	E-7
3357	Weight Dist. Shank	E-7, M-41
34-108663	Taillight Pigtail	M-24, M-26, M-29, M-30, M-39
34141	Safety Chain Loop	N-16
34-17-034	Trailer Light Gasket	M-33
34-17-808	Side Marker Light	M-33
34-17-809	Side Marker Light	M-33
34300 0301	Trailer Coupler	K-11
34300 0317	Trailer Coupler	K-11
3442	Sway Control Bar	E-6
34-58-001	Side Marker Light	M-33
34-58-002	Side Marker Light	M-33
34-58-010	Trailer Light Lens	M-33
34-58-012	Trailer Light Lens	M-33
34-59-001	Side Marker Light	M-32
34-59-002	Side Marker Light	M-32
34-59-010	Trailer Light Lens	M-32
34-59-012	Trailer Light Lens	M-32
34600 0301	Trailer Coupler	K-11
34-62-000	License Plate Light	M-40
34-62-002	License Plate Light	M-40
34-62-003	License Plate Light	M-40
34-62-030	License Bracket	M-40, M-41
34-62-102	License Plate Light	M-40
34-62-103	License Plate Light	M-40
34-72-100	License Bracket	M-41
34-76-028	Interior Light Lens	M-43
34-76-123	Interior Light	M-43
34-76-223	Interior Light	M-43
34-76-243	Interior Light	M-43
34-78-021	Trailer Porch Light	M-43
34-78-022	Trailer Porch Light	M-43
34-78-515	Trailer Porch Light	M-43
34-78-517	Trailer Porch Light	M-43
34-78-518	Trailer Porch Light	M-43
34-84-008	Trailer Taillight	M-14
34-84-009	Trailer Taillight	M-15
34-84-010	Taillight Lens	M-13, M-14, M-15
34-84-016	Taillight Lens	M-13, M-14, M-15
34-84-527	Trailer Taillight	M-14
34-84-700	Taillight Lens	M-13, M-14, M-15
34-84-711	Taillight Lens	M-13, M-14, M-15
34-85-750	Trailer Taillight	M-14, M-15
34-86-101	Trailer Taillight	M-13
34-86-202	Side Marker Light	M-13, M-32
34-86-203	Side Marker Light	M-13, M-32
34-86-711	Side Marker Light	M-13, M-29, M-32
34-86-712	Side Marker Light	M-13, M-29, M-32
34-92-001	Trailer Taillight	M-16
34-92-002	Trailer Taillight	M-16
34-92-003	Trailer Taillight	M-16
34-92-012	Taillight Lens	M-16
34-92-704	Taillight Lens	M-16
34-92-708	Taillight Lens	M-16
34-92-713	Taillight Lens	M-16
34-99-001	Side Marker Light	M-34
34-99-002	Side Marker Light	M-34
34-99-010	Trailer Light Lens	M-34
34-99-012	Trailer Light Lens	M-34
3590	Class I Drawbar Kit	B-7
3591	Class I Drawbar Kit	B-7

Part Number	Description	Page Number
3592	Class I Drawbar Kit	B-7
3593	Class I Drawbar Kit	B-7
3594	Class I Drawbar Kit	B-7
36051	Class II Drawbar Kit	B-7
36053	Class II Drawbar Kit	B-7
36061	Class II Drawbar Kit	B-7
36063	Class II Drawbar Kit	B-7
36065	Class II Drawbar Kit	B-7
36071	Class II Drawbar Kit	B-7
36078	Class II Drawbar Kit	B-7
37-0023	Display Rack	O-3
37-0030	Display Rack	O-2
37-2103	Display Rack	O-3
37-2109	Display Rack	O-2
37-2112	Display Rack	O-5
37-2114	Display Rack	O-5
37-2126	Display Rack	O-4
37-2127	Display Rack	O-5
37-2131	Display Rack	O-5
37-2132	Display Rack	O-5
37-2133	Display Rack	O-5
37-2134	Display Rack	O-4, O-5
38023	Class V Hitch	A-7
3808	Circuit Tester	C-39
38124	Class V Hitch	A-7
38180	Dual-Ball Ball Mount	B-11
38186	Pintle Hook Plate	B-17
38208	Class V Hitch	A-7
38211	Class V Hitch	A-7
38665-012	Trailer Wire Relay	C-38
38666-010	Trailer Wire Relay	C-38
38667-010	Trailer Wire Relay	C-38
38735	Hitch Adapter	B-15
40-00-002	Taillight Pigtail	M-24, M-26, M-29, M-30, M-39
40-00-003	Taillight Pigtail	M-10, M-11, M-19, M-21, M-23, M-36
40-00-004	Taillight Pigtail	M-8, M-9, M-10, M-11, M-19, M-21, M-23, M-36
40-00-005	Trailer Lght Pigtail	M-27
40-00-006	Taillight Pigtail	M-9
40-01-001	Trailer Taillight	M-19
40-01-003	Trailer Taillight	M-19
40-01-020	Taillight Grommet	M-19
40-01-020	Taillight Grommet	M-9
40058-002	Towing Starter Kit	B-9
40-06-001	Trailer Taillight	M-21
40-06-020	Taillight Grommet	M-10, M-11, M-21, M-23, M-36
40109	Drill Bit	A-9
40110	Drill Bit	A-9
401565	Side Marker Light	M-26
401566	Side Marker Light	M-26, M-38
401567	Trailer ID Light Bar	M-38
401580	Side Marker Light	M-26
401581	Side Marker Light	M-26
401582	Side Marker Light	M-27
401583	Side Marker Module	M-27
401584	Trailer Taillight	M-10
401585	Side Marker Light	M-27
401586	Side Marker Light	M-27
401589	Trailer Lght Grommet	M-29
401591	Taillight Grommet	M-10, M-11, M-21, M-23, M-36
40200	Class V Ball Mount	B-10
40201	Class V Ball Mount	B-10
40202	Class V Ball Mount	B-10
40205	Class V Ball Mount	B-10

Part Number	Description	Page Number
40206	Class V Ball Mount	B-10
40238-002	Towing Starter Kit	B-9
40-30-001	Trailer Light Module	M-29
40-30-002	Trailer Light Module	M-29
40-30-020	Trailer Lght Grommet	M-29
403025	Trailer Taillight	M-22
403026	Trailer Taillight	M-20
403075	Trailer Taillight	M-22
403076	Trailer Taillight	M-20
403080	Trailer Taillight	M-21
403085	Taillight Module	M-21
40330	Class V Ball Mount	B-10
40330-002	Class V Ball Mount	B-27
40331	Class V Ball Mount	B-10
40331-002	Class V Ball Mount	B-27
40332	Class V Ball Mount	B-10
40332-002	Class V Ball Mount	B-27
403336	Trailer Light Lens	M-20
40342	Class IV Ball Mount	B-8
40342-006	Class IV Ball Mount	B-26
40343	Class IV Ball Mount	B-8
40343-006	Class IV Ball Mount	B-26
40344	Class IV Ball Mount	B-8
40344-006	Class IV Ball Mount	B-26
40345	Class IV Ball Mount	B-8
40345-006	Class IV Ball Mount	B-26
40346	Class IV Ball Mount	B-8
40346-002	Class IV Ball Mount	B-26
40-37-001	Trailer Light Module	M-30, M-39
40-37-002	Trailer Light Module	M-30
40-37-020	Trailer Light Base	M-26, M-30
40376	Circuit Tester	C-39
40-38-001	Trailer Light Module	M-31
40-38-002	Trailer Light Module	M-31
40-38-004	Side Marker Light	M-31
40-38-020	Trailer Light Base	M-27, M-31
40-38-025	Trailer Light Base	M-27, M-31
40381	Class IV Ball Mount	B-10
4038188	Class III Ball Mount	B-9
40382	Class IV Ball Mount	B-10
4038288	Class III Ball Mount	B-9
40383	Class IV Ball Mount	B-10
4038388	Class III Ball Mount	B-9
40384	Class IV Ball Mount	B-10
40-40-004	Side Marker Light	M-52
40-40-104	Side Marker Light	M-36
40-40-115	Trailer Light Bezel	M-36
40-40-120	Trailer Light Bezel	M-31, M-34
40443	Class IV Ball Mount	B-27
40446	Class IV Ball Mount	B-27
40565	Towing Starter Kit	B-9
40583-002	Towing Starter Kit	B-9
40584-002	Towing Starter Kit	B-26
40-60-001	Trailer Porch Light	M-42
40-60-004	Trailer Porch Light	M-42
40602	Tow Bar Bracket	N-15
40604	Hitch Safety Chain	N-15
40644-002	Towing Starter Kit	B-9
40700	3" Ball Mount	B-11
40701	3" Ball Mount	B-11
40702	3" Ball Mount	B-11
40703	3" Ball Mount	B-11
407500	Trailer Taillight	M-18
407515	Trailer Taillight	M-22
407530	Trailer Taillight	M-8
407535	Trailer Taillight	M-8
407540	Trailer Taillight	M-8
407550	Trailer Taillight	M-9
407555	Trailer Taillight	M-9

Part Number	Description	Page Number
407560	Trailer Taillight	M-9
40-767758	Trailer Taillight	M-10
41011	Trans Oil Cooler Kit	N-19
41013	Trans Oil Cooler Kit	N-19
41014	Trans Oil Cooler Kit	N-19
41019	Trans Oil Cooler Kit	N-19
41020	Trans Oil Cooler Kit	N-19
41103	Cooler Mounting Kit	N-19
41-30-001	Trailer Light Module	M-29
41-30-002	Trailer Light Module	M-29
41310	Auto Trans Cooler	N-19
41311	Auto Trans Cooler	N-19
41312	Auto Trans Cooler	N-19
413560	Trailer Taillight	M-21
41-37-031	Side Marker Light	M-30
41-37-032	Side Marker Light	M-30
41-38-031	Side Marker Light	M-31
41-38-032	Side Marker Light	M-31
41405	Cooler Mounting Kit	N-19
41410	Trans Cooler Fitting	N-19
41412	Trans Cooler Fitting	N-19
416088	Trailer Lght Grommet	M-10, M-11, M-21, M-23, M-36
417515	Trailer Taillight	M-22
41990	Hitch Crosstube	A-6
41990-07	Class V Hitch	A-6
41990-16	Class V Hitch	A-6
41991	Hitch Crosstube	A-6
41991-07	Class V Hitch	A-6
41991-16	Class V Hitch	A-6
42-106858	Side Marker Light	M-38
42250	Hitch Ball Cover	B-29
42250-012	Hitch Ball Cover	B-29
42251	Hitch Ball Cover	B-29
42251-012	Hitch Ball Cover	B-29
423025	Trailer Taillight	M-22
423075	Trailer Taillight	M-22
4234	Safety Chain Loop	N-16
42-37-401	Side Marker Light	M-26, M-38
42-37-402	Side Marker Light	M-26
42-38-033	Side Marker Light	M-27
42-38-034	Side Marker Light	M-27
42-59-401	Side Marker Light	M-28
42-59-402	Side Marker Light	M-28
42-59-410	Side Marker Light	M-28
42-59-412	Side Marker Light	M-28
4280	Class V Ball Mount	B-10
4281	Class V Ball Mount	B-10
4282	Class V Ball Mount	B-10
4283	Class V Ball Mount	B-10
4284	Class V Ball Mount	B-10
42-84-410	Trailer Taillight	M-3
42-84-412	Trailer Taillight	M-3
4285	Class V Ball Mount	B-10
42-86-101	Trailer Taillight	M-4
42-86-410	Side Marker Light	M-3, M-29
42-86-412	Side Marker Light	M-3, M-29
42-99-215	Trailer ID Light Bar	M-38
42-99-401	Side Marker Light	M-24
42-99-402	Side Marker Light	M-24
43805W0317	Trailer Coupler	K-8
44-00-002	Taillight Pigtail	M-24, M-26, M-29, M-30, M-39
44-01-031	Trailer Taillight	M-19
44-06-001	Trailer Taillight	M-21
44-06-031	Trailer Taillight	M-21
44125W0317	Trailer Coupler	K-8
44133	Safety Chain Link	N-20
44140	Hitch Safety Chain	N-20

Part Number	Description	Page Number
44150W0317	Trailer Coupler	K-8
44150WH301	Trailer Coupler	K-8
44150WQ317	Trailer Coupler	K-8
44154	Clevis Slip Hook	N-20
44155	Clevis Slip Hook	N-16
44156	Clevis Slip Hook	N-20
44157	Clevis Slip Hook	N-20
44159	Clevis Slip Hook	N-20
44163	Clevis Slip Hook	N-20
44164	Clevis Slip Hook	N-20
4420000317	Coupler Plate	K-8
4425000317	Coupler Plate	K-8
44-30-001	Trailer Light Module	M-29
44-30-002	Trailer Light Module	M-29
44-30-020	Trailer Lght Grommet	M-29
44-30-031	Side Marker Light	M-29
44305F0317	Trailer Coupler	J-8
44305R0317	Trailer Coupler	K-12
44305R0500	Trailer Coupler	K-12
44311H0301	Trailer Coupler	K-12
44314R0303	Trailer Coupler	K-12
44-37-031	Side Marker Light	M-30
44-37-032	Side Marker Light	M-30
44-38-031	Side Marker Light	M-31
44-38-032	Side Marker Light	M-31
44-40-004	Side Marker Light	M-52
45018	Hitch Extension	B-16
45122	Class V Ball Mount	B-11
45123	Class V Ball Mount	B-11
45156	Pintle Hook Plate	B-17
45291	Class V Ball Mount	B-11
45292	Hitch Extension	B-16
45294	Pintle Hook Plate	B-17
45322	Class V Ball Mount	B-11
45323	Class V Ball Mount	B-11
45325	Tri-Ball Ball Mount	B-11
4655	Drill Bit	A-9
47-01-001	Trailer Taillight	M-9
47-01-031	Trailer Taillight	M-9
47-06-004	Trailer Taillight	M-10
47-06-005	Trailer Taillight	M-36
47-06-034	Trailer Taillight	M-10
47-06-404	Trailer Taillight	M-10
47-106020	Side Marker Bezel	M-25
47-106851	Side Marker Light	M-24
47-106852	Side Marker Light	M-24
47-106853	Side Marker Light	M-25
47-106854	Side Marker Light	M-52
47-106857	Side Marker Light	M-24
47-106858	Trailer ID Light Bar	M-38
47-107043	Side Marker Light	M-24
47-107044	Side Marker Light	M-24
47-107046	Side Marker Light	M-24
47-107047	Side Marker Light	M-25
47-107048	Side Marker Light	M-52
47-203667	Side Marker Light	M-24
47-203668	Side Marker Light	M-24
47-222012	Side Marker Light	M-23
47-222014	Side Marker Light	M-23
47-222015	Side Marker Light	M-23
47-222017	Side Marker Light	M-23
47-37-001	Side Marker Light	M-26, M-38
47-37-002	Side Marker Light	M-26
47-37-005	Waterproof Lights	M-26
47-37-006	Waterproof Lights	M-26
47-37-031	Waterproof Lights	M-26
47-37-032	Waterproof Lights	M-26
47-37-401	Side Marker Light	M-26, M-38
47-37-402	Side Marker Light	M-26



Part Number	Description	Page Number
47-38-001	Side Marker Light	M-27
47-38-002	Side Marker Light	M-27
47-38-004	Side Marker Light	M-27
47-38-033	Side Marker Light	M-27
47-38-034	Side Marker Light	M-27
47-38-401	Side Marker Light	M-27
47-38-402	Side Marker Light	M-27
47-54-001	Trailer Taillight	M-4
47-54-002	Trailer ID Light Bar	M-38
47-54-003	Trailer ID Light Bar	M-38
47-58-001	Side Marker Light	M-27
47-58-002	Side Marker Light	M-27
47-58-031	Side Marker Light	M-27
47-58-032	Side Marker Light	M-27
47-59-001	Side Marker Light	M-28
47-59-002	Side Marker Light	M-28
47-59-010	Side Marker Light	M-28
47-59-012	Side Marker Light	M-28
47-59-401	Side Marker Light	M-28
47-59-402	Side Marker Light	M-28
47-59-410	Side Marker Light	M-28
47-59-412	Side Marker Light	M-28
47-84-001	Trailer Taillight	M-6
47-84-005	Trailer Taillight	M-7
47-84-008	Trailer Taillight	M-6
47-84-009	Trailer Taillight	M-7
47-84-026	Trailer Taillight	M-3
47-84-103	Trailer Taillight	M-5
47-84-104	Trailer Taillight	M-5
47-84-410	Trailer Taillight	M-3
47-84-412	Trailer Taillight	M-3
47-84-420	Trailer Taillight	M-4, M-5, M-6, M-7
47-84-527	Trailer Taillight	M-6
47-84-529	Trailer Taillight	M-6
47-84-530	Trailer Taillight	M-7
47-84-540	Trailer Taillight	M-6
47-84-610	Trailer Taillight	M-5
47-84-711	Taillight Lens	M-3, M-5, M-6, M-7
47-84-712	Taillight Lens	M-3, M-5, M-6, M-7
47-84-808	Side Marker Light	M-6
47-85-002	Trailer Taillight	M-7
47-85-004	Trailer Taillight	M-7
47-85-611	Trailer Taillight	M-5
47-85-711	Taillight Lens	M-51
47-86-101	Trailer Taillight	M-4
47-86-202	Side Marker Light	M-29
47-99-004	Trailer ID Light Bar	M-38
47-99-005	Side Marker Light	M-26, M-38
47-99-006	Side Marker Light	M-26
47-99-034	Trailer ID Light Bar	M-38
47-99-215	Trailer ID Light Bar	M-38
47-99-401	Side Marker Light	M-24
47-99-402	Side Marker Light	M-24
48-84-008	Trailer Taillight	M-6
48-84-009	Trailer Taillight	M-7
48-84-527	Trailer Taillight	M-6
48-84-711	Taillight Lens	M-3, M-5, M-6, M-7
48-86-101	Trailer Taillight	M-4
48-86-202	Side Marker Light	M-29
4907	Hitch Bracket	A-6
49080	Gooseneck Hitch	F-9, G-9
49080-024	Gooseneck Hitch	F-9, G-9
49131	Safety Chain Link	N-20
49132	Safety Chain Link	N-20
<b>49134</b>	<b>Safety Chain Link</b>	<b>N-20</b>

Part Number	Description	Page Number
49135	Safety Chain Link	N-20
49137	Hitch Safety Chain	N-20
49138	Hitch Safety Chain	N-20
49141	Hitch Safety Chain	N-20
49147	Hitch Safety Chain	N-20
49148	Hitch Safety Chain	N-20
49149	Hitch Safety Chain	N-20
49150	Hitch Safety Chain	G-3, H-4
49151	Hitch Safety Chain	G-3, H-4
4916	Hitch Bracket	A-6
49568	Weight Distributing	E-11
49569	Weight Distributing	E-11
49570	Weight Distributing	E-11
49581	Weight Distributing	E-11
49582	Weight Distributing	E-11
49583	Weight Distributing	E-11
49802	License Plate Holder	A-10
49803	Hitch Hardware Kit	A-10
49901	Weight Distributing	E-11
49902	Weight Distributing	E-11
49903	Weight Distributing	E-11
49904	Weight Distributing	E-11
49911	Weight Distributing	E-2
49912	Weight Distributing	E-2
49913	Weight Distributing	E-2
5000-DX	Trailer Brake Wheel	N-9
500103	Trailer Jack Pin	J-31
500105	Trailer Jack Crank	J-12, J-13, J-14
500106	Trailer Jack Gear	J-12, J-13, J-14, J-15
500129	Trailer Jack Handle	J-8
500130	Trailer Jack Wheel	J-8
500131	Trailer Jack Wheel	J-8
500132	Trailer Jack Wedge	J-8
500133	Trailer Jack Wedge	J-8
500134	Trailer Jack Handle	J-7, J-8
500135	Trailer Jack Cover	J-8
500136	Trailer Jack Pin	J-8
500137	Trailer Jack Washer	J-8
500138	Trailer Jack Wheel	J-8
500148	Trailer Jack Crank	J-35
500153	Trailer Jack	J-24
500154	Trailer Jack	J-33
500156	Trailer Jack Gear	J-12, J-16
500161	Fifth Wheel Jack	J-33
500162	Fifth Wheel Jack	J-5
500171	Trailer Jack Crank	J-12, J-15, J-16
500177	Trailer Jack Pin	J-31
500178	Trailer Jack Pin	J-31
500180	Trailer Jack Crank	J-12, J-13, J-14, J-15, J-16, J-17
500187	Trailer Powered Jack	J-4
500188	Trailer Powered Jack	J-4
500190	Trailer Jack Foot	J-3, J-4, J-30
500193	Trailer Jack Level	J-3
500194	Trailer Jack Cover	J-3
500196	Trailer Jack Light	J-3
500198	Trailer Powered Jack	J-5
500199	Trailer Powered Jack	J-3
500200	Trailer Powered Jack	J-3
500201	Trailer Jack Cover	J-4
500202	Trailer Jack Light	J-4
500203	Trailer Jack Crank	J-3, J-4
500204	Trailer Jack Pin	J-5
500205	Trailer Jack Cover	J-12, J-13, J-14, J-15, J-16
500212	Trailer Jack Gear	J-20
500217	Trailer Jack Screw	J-20
500219	Trailer Jack Pin	J-31

Part Number	Description	Page Number
500223	Trailer Jack Bearing	J-12, J-13, J-14
500224	Trailer Jack Bearing	J-12, J-15, J-16
500231	Trailer Jack Pin	J-31
500232	Trailer Jack Pin	J-31
500239	Swivel Trailer Mount	J-12, J-32
50024	Fifth Wheel Slider	F-7
500241	Trailer Jack Retaining Ring	J-13
500242	Trailer Jack Bracket	J-12
500243	Trailer Jack Pin	J-31
500244	Trailer Jack Foot	J-31
500245	Trailer Jack Caster	J-31
500246	Trailer Jack Knob	J-32
500248	Trailer Jack Knob	J-32
500250	Trailer Jack Screw	J-20
500251	Trailer Jack Bearing	J-12, J-13, J-14
500256	Trailer Jack Crank	J-12, J-13, J-14
500265	Trailer Jack Wheel	J-8
500266	Trailer Jack Wheel	J-8
500267	Trailer Jack Foot	J-8
500268	Jack Hardware	J-8
500270	Trailer Jack Leg	J-30
500276	Jack Hardware	J-8, J-37
500277	Jack Hardware	J-8, J-37
500282	Trailer Jack Wheel	J-31
500285	Trailer Jack Gear	J-20, J-23
500286	Jack Hardware	J-10
500289	Coupler Repair Kit	K-3, K-4
500293	Trailer Jack Screw	J-24
500294	Trailer Jack Gear	J-24
500295	Trailer Jack Gear	J-23
500296	Coupler Bolt Kit	K-5
5003	Trailer Brake Wheel	N-9
500305	Trailer Jack Cover	J-4
500306	Trailer Jack Cover	J-4
500310	Pull Pin Assembly	J-31
500312	Trailer Jack Clip	J-20
500314	Trailer Jack Gear	J-8, J-10
500315	Trailer Jack Mount	J-32
500320	Trailer Jack Adapter	J-8, J-9
500322	Trailer Jack End Cap	J-10
500323	Trailer Jack End Cap	J-9
500324	Trailer Jack End Cap	J-7, J-8, J-9
500325	Trailer Jack End Cap	J-10
500326	Trailer Jack End Cap	J-12, J-14
500329	Trailer Jack Leg	J-30
500330	Trailer Jack Gearbox	J-23
500334	Trailer Tongue Pin	K-11
500335	Trailer Tongue Pin	K-11
500336	Trailer Tongue Pin	K-11
500337	Trailer Jack Leg	J-31
500338	Trailer Jack Leg	J-31
500339	Trailer Jack Mount	J-32
500340	Trailer Jack Leg	J-30, J-31
500341	Trailer Jack Pin	J-31
500344	Trailer Jack Handle	J-17
500349	Trailer Jack Bracket	J-9
500350	Winch Top Cover	L-4
500351	Winch Back Cover	L-4
500353	Coupler Repair Kit	K-4
500354	Coupler Cap Spring	K-10
500356	Coupler Locking Pin	K-3
500357	Trailer Winch Handle	L-9
500358	Trailer Jack Cap	N-14
500359	Trailer Jack Motor	J-5
500360	Trailer Jack Cover	J-3
500361	Trailer Jack Cover	J-3
500362	Trailer Jack Switch	J-3, J-4
500363	Trailer Jack Switch	J-3, J-4
500365	Trailer Jack Pin	J-7

Part Number	Description	Page Number
500366	Trailer Winch Keeper	L-9
500367	Trailer Jack Leg	J-5
500368	Trailer Jack Switch	J-5
500370	Trailer Jack Motor	J-21
500372	Trailer Jack Remote	J-21
500374	Trailer Jack Foot	J-21
500375	Trailer Jack Cover	J-21
500376	Jack Contactor Kit	J-21
500377	Trailer Jack Leg	J-30
500379	Trailer Jack Remote	J-21
500380	3 Pin Connector	J-21
500382	Channel Adapter Kit	J-21
500386	Trailer Jack Remote	J-21
500389	Trailer Jack Adapter	J-21
500400	DC Electric Winch	L-10
500401	DC Electric Winch	L-10
500402	DC Electric Winch	L-10
500403	DC Electric Winch	L-13
500404	DC Electric Winch	L-13
500405	DC Electric Winch	L-13
500406	DC Electric Winch	L-13
500407	DC Electric Winch	L-13
500408	DC Electric Winch	L-13
500410	DC Electric Hoist	L-13
500411	DC Electric Hoist	L-13
500412	DC Electric Hoist	L-13
500413	Hydraulic Winch	L-13
500414	Hydraulic Winch	L-13
500415	Hydraulic Winch	L-13
500423	DC Electric Winch	L-13
500424	DC Electric Winch	L-13
500426	DC Electric Winch	L-13
50048	Fifth Wheel Lock Pin	F-7
500516	Electric Winch Rope	L-14
500517	Trailer Winch Cable	L-14
500520	Electric Winch Rope	L-14
500522	Electric Winch Rope	L-14
500524	Electric Winch	L-14
500525	Electric Winch	L-14
500526	Wireless Remote	L-14
500527	Wireless Remote	J-21, L-10
500528	Wired Remote	L-14
500529	Wired Remote	L-14
500530	Wired Remote	L-14
500536	Electric Winch	L-14
500539	Electric Winch	L-10
500540	Electric Winch	L-14
500541	Electric Winch	L-14
500542	Electric Winch	L-14
500549	Recovery Damper	L-14
500553	Winch Quick Mount	L-14
500554	Winch Accessory Kit	L-10
500600	DC Electric Winch	L-10
500601	DC Electric Winch	L-10
500602	Winch Snatch Block	L-10
500602	Winch Snatch Block	L-14
500603	Winch Snatch Block	L-14
500604	Winch Clevis	L-14
500605	Winch Clevis	L-14
500606	Winch Connector	L-14
500607	Winch Connector	L-10
500608	Trailer Winch Cable	L-14
500609	Trailer Winch Cable	L-14
500620	Powered Winch	L-2
500621	Powered Winch	L-2
500630	DC Electric Winch	L-13
500631	DC Electric Winch	L-13
500632	DC Electric Winch	L-13
500701	Trailer Powered Jack	J-33

Part Number	Description	Page Number
500702	Trailer Powered Jack	J-33
500703	Trailer Powered Jack	J-33
500704	Trailer Powered Jack	J-33
500705	Fold-Away Dampener	K-11
500708	Fifth Wheel Jack	J-5
5010	Trailer Brake Wheel	N-9
501001	Rope Keeper	L-8
501101	Trailer Winch Handle	L-5, L-6, L-8
501103	Trailer Winch Handle	L-5, L-6
501106	Trailer Winch Handle	L-5, L-6
501107	Trailer Winch Handle	L-5, L-6
501108	Trailer Winch Handle	L-5, L-6, L-7
501109	Trailer Winch Handle	L-5, L-6
501110	Trailer Winch Handle	L-7
501115	Brake Winch Disc	L-8
501117	Brake Winch Repair	L-8
501118	Brake Winch Shaft	L-8
501121	Brake Winch Shaft	L-8
501122	Brake Winch Disc	L-8
501124	Brake Winch Cover	L-8
501125	Brake Winch Repair	L-8
501130	Brake Winch Cover	L-8
501131	Brake Winch Shaft	L-8
501132	Ratchet Repair	L-7
501133	Ratchet Repair	L-7
501134	Input Shaft	L-7
501135	Ratchet Spring	L-4, L-7
501136	Mounting Hardware	L-4
501137	Winch Handle	L-4
501138	Winch Handle	L-4
501202	Trailer Winch Strap	L-5, L-6, L-7
501207	Trailer Winch Strap	L-5, L-6, L-7
501210	Trailer Winch Brake	L-7
50223	Fifth Wheel Chain	F-8
50-57-007	Trailer Connector	C-23
50-57-503	Vehicle Connector	C-23
50-61-008	Trailer End Wiring	C-21
50-61-104	Trailer End Wiring	C-21
50-61-106	Trailer End Wiring	C-21
50-61-108	Trailer End Wiring	C-21
50-67-001	Trailer End Wiring	C-25
50-67-002	Trailer End Wiring	C-25
50-67-003	Trailer End Wiring	C-25
50-67-004	Trailer End Wiring	C-25
50-67-005	Trailer End Wiring	C-25
50-67-007	Trailer End Wiring	C-25
50-67-103	Trailer End Wiring	C-25
50-67-106	Trailer End Wiring	C-25
50-67-210	Trailer End Wiring	C-24
50-67-410	Trailer End Wiring	C-24
50-67-614	Trailer End Wiring	C-26, C-30
50-67-616	Trailer End Wiring	C-26, C-30
50-67-618	Trailer End Wiring	C-26, C-30
50-67-620	Trailer End Wiring	C-26, C-30
50-67-901	Trailer End Wiring	C-24
50-67-907	Trailer End Wiring	C-25
50-767751	Trailer Taillight	M-10
50-767752	Trailer Taillight	M-10
50-77-001	Vehicle Connector	C-23
50-77-003	Trailer Connector	C-23
50-77-070	Mounting Bracket	C-34
50-77-071	Mounting Bracket	C-34
50-85-002	Breakaway Switch	C-15, N-5
50-85-007	Breakaway Switch	C-15, N-5
<b>50-85-104</b>	<b>Breakaway Charger</b>	<b>C-16, N-5</b>
<b>5085115</b>	<b>Breakaway Bracket</b>	<b>C-13, C-15</b>
<b>5085115</b>	<b>Breakaway Bracket</b>	<b>N-3, N-5</b>
<b>50-85-302</b>	<b>Breakaway Kit</b>	<b>C-15, N-5</b>
<b>50-85-312</b>	<b>Breakaway Kit</b>	<b>C-15, N-5</b>

Part Number	Description	Page Number
50-85-313	Breakaway Kit	C-13, N-3
50-85-315	Breakaway Kit	C-13, N-3
50-85-320	Breakaway Kit	C-13, N-3
50-85-325	Breakaway Kit	C-13, N-3
508573	Trailer Fender	N-13
508574	Trailer Fender	N-13
50-86-004	Vehicle End Wiring	C-21
50-86-007	Vehicle End Wiring	C-21
50-87-002	Vehicle End Wiring	C-24
50-87-004	Vehicle End Wiring	C-24
50-87-007	Vehicle End Wiring	C-24
50-87-009	Vehicle End Wiring	C-24
50-97-407	Fifth Wheel Harness	C-27
50-97-410	Fifth Wheel Harness	C-28
50-97-411	Fifth Wheel Harness	C-28
50-97-412	Fifth Wheel Harness	C-28
50-98-003	Wire Holder	C-35
50-98-050	Adapter 7 to 4-Flat	C-32
50-98-051	Adapter 7 to 6-Way	C-32
50-98-052	Adapter 7 to 4-Flat	C-32
50-98-054	Adapter 6 to 4-Flat	C-32
5100	Brake Control	D-5
5101-HA	Brake Magnet Kit	N-10
5106	Brake Magnet Kit	N-10
5109	Brake Magnet Kit	N-10
5113	Brake Magnet Kit	N-10
5114	Brake Magnet Kit	N-10
51-20036	Adapter 4 to 5-Flat	C-32
5120TEK	Brake Ring	N-10
5121TEK	Brake Ring	N-10
5122	Trailer Brake Clip	J-32
5122	Trailer Brake Clip	N-10
51-67-003	Trailer End Wiring	C-25
51-87-002	Vehicle End Wiring	C-24
51-87-004	Vehicle End Wiring	C-41
52 0801	Coupler Repair Kit	K-12
5280	Brake Control Kit	D-3, D-4, D-6
5298	Brake Control Kit	D-6
5305	Brake Return Spring	N-9
5307	Brake Return Spring	N-9
5330	Hitch Tube Cover	B-29
5350	Motorhome Hitch	A-8
5351	Hitch Tube Cover	B-29
5352	Hitch Tube Cover	B-29
5353	Brake Hold Down Kit	N-9
5362	Hitch Tube Cover	B-24
5363	Hitch Tube Cover	B-24
54000-026	Trailer End Wiring	C-19
54000-027	Trailer End Wiring	C-19
54001	Taillight Lens	M-19, M-21
54002	Taillight Lens	M-21
54003	Taillight Lens	M-19
54003-017	Ag Wire Harness	C-31
54003-018	Ag Wire Harness	C-31
54003-020	Ag Wire Harness	C-41
54003-040	Agriculture Light	M-46
54003-041	Agriculture Light	M-46
54003-137	Agriculture Light	M-46
54003-138	Agriculture Light	M-46
54004	Trailer Taillight	M-10
54005	Trailer Porch Light	M-23
54006	Trailer Taillight	M-11
54006-009	Trailer End Wiring	C-26
54006-010	Trailer End Wiring	C-26
54006-015	Trailer End Wiring	C-26
54006-016	Trailer End Wiring	C-26
54006-043	Trailer End Wiring	C-25
54006-044	Trailer End Wiring	C-25
54006-045	Trailer End Wiring	C-25

Part Number	Description	Page Number
54006-046	Trailer End Wiring	C-25
54006-049	Trailer End Wiring	C-25
54006-050	Trailer End Wiring	C-25
54006-051	Trailer End Wiring	C-25
54006-052	Trailer End Wiring	C-25
54006-057	Trailer End Wiring	C-26
54006-058	Trailer End Wiring	C-26
54006-059	Trailer End Wiring	C-26
5404	Adjusting Screw Kit	N-9
54200-012	Trailer Taillight	M-9
54200-013	Trailer Taillight	M-51
54200-015	Trailer Taillight	M-4
54200-016	Trailer Taillight	M-4
54200-018	Trailer Taillight	M-9
54-20012	Mounting Bracket	C-34
54201-001	Side Marker Light	M-25
54201-002	Side Marker Light	M-25
54201-006	Side Marker Light	M-25
54201-007	Side Marker Light	M-25
54201-008	Side Marker Light	M-25
54201-010	Side Marker Light	M-52
54201-011	Trailer Fender Light	M-25
54201-013	Trailer Fender Light	M-25
54201-014	Trailer Fender Light	M-25
54201-015	Side Marker Light	M-52
54201-016	Side Marker Light	M-28
54201-017	Side Marker Light	M-28
54201-018	Side Marker Light	M-28
54205-010	Light Strip	M-37
54205-011	Light Strip	M-37
54205-012	Light Strip	M-37
54205-013	Light Strip	M-37
54205-014	Light Strip	M-37
54205-015	Light Strip	M-37
54205-016	Light Strip	M-37
54205-017	Light Strip	M-37
54205-018	Light Strip	M-37
54205-019	Light Strip	M-37
54205-020	Strobe Light	M-37
54205-021	Strobe Light	M-37
54205-022	Trailer Strobe Light	M-37
54205-023	Trailer Strobe Light	M-37
54205-024	Trailer Strobe Light	M-37
54206-001	License Plate Light	M-40
54209-001	Worklight	M-12, M-48
54209-002	Worklight	M-12, M-48
54209-005	Agriculture Light	M-45
54209-006	Agriculture Light	M-45, M-46
54209-007	Agriculture Light	M-45
54209-008	Agriculture Light	M-45, M-46
54209-009	Agriculture Light	M-45
54209-010	Agriculture Light	M-45
54209-011	Agriculture Light	M-45
54209-012	Agriculture Light	M-45
54209-013	Agriculture Light	M-45
54209-014	Agriculture Light	M-45
54209-015	Agriculture Light	M-45
54209-016	Agriculture Light	M-45
54209-017	Worklight	M-12, M-48
54209-018	Worklight	M-12, M-48
54209-019	Agriculture Light	M-45
54209-020	Agriculture Light	M-45, M-46
54209-021	Agriculture Light	M-45
54209-022	Agriculture Light	M-45, M-46
54209-025	Worklight	M-51
54209-031	Agriculture Light	M-46
54209-032	Agriculture Light	M-46
54209-047	Agriculture Light	M-46
54209-048	Agriculture Light	M-46

Part Number	Description	Page Number
5443	License Plate Holder	A-10
54500-001	Agriculture Light	C-41
54500-002	Agriculture Light	C-41
54504-001	Taillight Bracket	M-8, M-9, M-11, M-12, M-17, M-18
54-57-007	Trailer Connector	C-23
54-57-503	Vehicle Connector	C-23
54-6562	Emulator	C-41
54-67-525	Trailer End Wiring	C-25
54700-003	Fifth Wheel Harness	C-28
54700-004	Fifth Wheel Harness	C-28
54700-007	Fifth Wheel Harness	C-28
54700-009	Fifth Wheel Harness	C-28
54700-010	Screw Kit	C-27
54-77-001	Vehicle Connector	C-23
54-77-003	Trailer Connector	C-23
54-77-071	Mounting Bracket	C-34
54801-001	Trailer Brake Assy	N-9
54801-002	Trailer Brake Assy	N-9
54801-003	Trailer Brake Assy	N-9
54801-004	Trailer Brake Assy	N-9
54801-005	Trailer Brake Assy	N-9
54801-006	Trailer Brake Assy	N-9
54801-007	Trailer Brake Assy	N-9
54801-008	Trailer Brake Assy	N-9
54801-023	Trailer Brake Assy	N-9
54801-024	Trailer Brake Assy	N-9
54801-025	Trailer Brake Assy	N-9
54801-026	Trailer Brake Assy	N-9
5481	Draw Wire	A-10
5482	Draw Wire	A-10
54-85-002	Breakaway Switch	C-15, N-5
54-85-007	Breakaway Switch	C-15, N-5
54970	Weight Dist. Shank	E-7
54976	Weight Dist. Shank	E-12
54977	Weight Dist. Shank	E-12
54980	Weight Dist Head Kit	E-7
54-98-004	Battery Isolator	C-37
54-98-050	Adapter 7 to 4-Flat	C-32
54-98-051	Adapter 7 to 6-Way	C-32
54-98-052	Adapter 7 to 4-Flat	C-32
54994	Weight Dist Head Kit	E-7
54998	Weight Dist. Shank	E-7
55003	Trailer Coupler Lock	B-23
55010	Trailer Hitch Pin	B-20
5502	Brake Bearing Set	N-9, N-11
5503	Brake Bearing Set	N-10, N-11
5504	Brake Control	D-5
5505	Brake Bearing Set	N-9, N-11
55055	Knurl Bolt	F-16
5507	Brake Bearing Set	N-9, N-11
5508	Brake Bearing Set	N-9, N-11
5509	Brake Bearing Set	N-9, N-11
5535	Brake Control	D-4
55392	Draw Wire	A-10
55393	Wire Forms	A-10
55478	Klik Pin	F-15
55515	Trailer Hitch Clip	B-28
55515	Trailer Hitch Clip	E-10
5592	Hitch Safety Chain	N-15
5602	Brake Grease Seal	N-10
5603	Brake Grease Seal	N-10
5604	Brake Grease Seal	N-10
5605	Brake Grease Seal	N-10
5606	Brake Grease Seal	N-10
5607	Brake Grease Seal	N-10
5608	Brake Grease Seal	N-10
5651	Brake Grease Cap	N-10
5652	Brake Grease Cap	N-10

Part Number	Description	Page Number
5691	Hitch Receiver Tube	A-9
5692	Hitch Receiver Tube	A-9
5720	Trailer Brake Bolt	N-11
5721	Trailer Brake Bolt	N-11
5762	Clevis Ball Mount	B-28
5764	Clevis Mount Pin	B-28
5774	Trailer Spindle Nut	N-11
5775	Trailer Spindle Nut	N-11
5780	Trailer Weight Scale	E-8
5780TEK	Trailer Wheel Nut	N-11
5787	Trailer Wheel Bolt	N-11
58033	Weight Dist. Screws	E-10
580400	Trailer Hitch Lock	B-22
580401	Trailer Hitch Lock	B-22
580402	Trailer Hitch Lock	B-22
580403	Trailer Coupler Lock	B-22
580404	Trailer Coupler Lock	B-22
580405	Trailer Hitch Lock	B-22
580406	Trailer Coupler Lock	B-22
580407	Trailer Hitch Lock	B-22
580408	Trailer Coupler Lock	B-22
580409	Trailer Coupler Lock	B-22
580410	Trailer Coupler Lock	B-22
580412	Trailer Hitch Lock	B-23
58053	Fifth Wheel Hardware	F-15
58054	Fifth Wheel Clip	F-15
58055	Fifth Wheel Handle	F-15
58055	Fifth Wheel Handle	F-6
58056	Fifth Wheel Jaw Kit	F-15
58058	Fifth Wheel Rails	F-11, F-14, F-16
58060	Sway Control Ball	E-10
58062	Sway Control Ball	E-10
58070	Hitch Tube Cover	B-29
58079	Gooseneck Hitch	F-9, G-9
58089	Fifth Wheel Bumper	F-15
58093	Fifth Wheel Links	F-8
58094	Fifth Wheel Grip	F-15
58102	Reducer Bushing	B-15
58109	Reducer Bushing	B-24
58117	Hitch Ball Lubricant	B-24
58146	Fifth Wheel Head	F-5
58147	Cross Member	F-5
58161	Fifth Wheel Handle	F-7
58162	Weight Dist. Handle	E-8
58164	Fifth Wheel Hardware	F-16
58166	Fifth Wheel Spacer	F-16
58170	Fifth Wheel Base	F-6
58178	Fifth Wheel Stop Rod	F-6
58184	Reducer Bushing	B-24
58192	Weight Dist. Bracket	E-10
58208	Fifth Wheel Adapter	F-9, G-9
58290	Fifth Wheel Head	F-6
58305	Weight Dist. Hanger	E-8
58306	Weight Dist. Hanger	E-8
58312	Gooseneck U-Bolt Kit	G-6
58314	Fifth Wheel Brackets	F-11, F-16
58321	Gooseneck Hardware	G-6
58381	Drill Bit	A-9, G-8
58384	Gooseneck Template	G-8
58388	Hitch Pin and Clip	B-15, B-20
58389	Magnetic Cover	G-6
58392	Weight Dist. Bracket	E-8
58393	Pole Tongue	E-8
58419	Fifth Wheel Foot	F-9, G-9
58430	Fifth Wheel Hardware	F-11
58431	Reducer Bushing	B-15
58435	Cam Arm Assembly	E-10
58437	Sway Control Screw	E-10
58438	Stabilizer Strips	F-7, G-5

Part Number	Description	Page Number
58467	Fifth Wheel Pins	F-11, F-12
58468	Gooseneck Chain Hook	G-5
58472	Cross Member	F-5
58473	Fifth Wheel Grip	F-5
58474	Fifth Wheel Hardware	F-5
58475	Fifth Wheel Hardware	F-5
58484	Fifth Wheel Pin	F-5
58493	Slider Handle	F-7
58497	Sway Control Pad Kit	E-9
58498	Weight Dist. Bracket	E-9
58499	Weight Dist. Pin	E-9
58500	Wght Dist Spring Bar	E-9
58501	Wght Dist Spring Bar	E-9
58503	Fifth Wheel Adapter	F-11, F-12
58504	Fifth Wheel Hardware	F-12
58507	Rivet Nuts	E-6
58513	Weight Dist Head Kit	E-9
58514	Fifth Wheel Shim Kit	F-9, G-9
58521	Fifth Wheel Hardware	F-5
58524	Gooseneck Cover	G-6
58527	Sway Control Pad Kit	E-9
58528	Sway Control Pad Kit	E-9
58530	Rubber Bolt Cap	A-10
58550	Reducer Bushing	B-15
58552	Reducer Bushing	B-15
58553	M5 Handle Assembly	F-3
58563	M5 Anti-Rattle Kit	F-3
59000	Interior Organizer	I-10
59001	Interior Organizer	I-10
5901TEK	Brake Control Kit	D-3
5904	Brake Control Kit	D-3
59043	Roof Top Cargo Carrier	I-8
5906	Brake Control Brkt	D-3
59102	Cargo Carrier Bag	I-8
59108	Cargo Carrier	I-9
59109	Cargo Carrier	I-9
59110	Cargo Carrier	I-9
59119	Cargo Carrier Bag	I-8
59200	Cargo Net	I-10
59300	Boat Tie Down Kit	I-10
59302	Pivot Knob Assembly	I-10
59303	Mounting Bracket	I-10
59307	Bicycle Rack	I-9
59308	Bicycle Rack	I-9
59310	Bicycle Rack	I-9
59315	Lock Core System	I-7
59316	Lock Core System	I-7
59400	2 Bicycle Rack	I-9
59401	4 Bicycle Rack	I-4
59405	Bike Carrier Strap	I-9
59406	Bike Carrier Cradle	I-9
59407	Cradle & Strap	I-9
59502	Cargo Carrier	I-8
59504	Roof Top Carrier	I-8
59505	Roof Top Extension	I-8
59507	Cargo Carrier	I-8
59510	Cargo Carrier Latch	I-9
59516	Cargo Carrier Lights	I-9
59550	Cargo Carrier	I-8
59622	Universal Van Rack	I-8
59623	Universal Van Rack	I-8
5973	Gooseneck Hitch Ball	G-7
59742	Truck Bed Rack	I-7
59794	Load Stop Kit	I-7
59796	Eye Bolt Kit	I-7
59799	Truck Bed Rack	I-7
5983	Magnetic Cover	G-7
59904	Bike Rack Adapter	I-9
59913	Water Craft Carrier	I-10

Part Number	Description	Page Number
59970	Roof Rack	I-7
59972	Roof Rack	I-7
59976	Roof Rack	I-7
5AB-E1621-16K	Fifth Wheel Coupler	H-8
5AB-E1621-610	Fifth Wheel Coupler	H-8
5AB-E510-710	Fifth Wheel Coupler	H-8
5AB-S500-700	Fifth Wheel Coupler	H-8
5AS16K	Fifth Wheel Coupler	H-5
600051	Display Rack	O-4
60037	Hitch Tube Cover	B-24
60037-024	Hitch Tube Cover	B-29
6004	Trailer Wheel Set	N-9
6005	Trailer Wheel Set	N-9
6011	Lube Plate	F-18
60-50-001	Mounting Bracket	M-40
61009	Weight Distributing	E-11
610322	Trailer Jack	J-33
6106	Trailer Magnet Kit	N-10
6109	Trailer Magnet Kit	N-10
61300	Fifth Wheel Turret	H-5
61301	Fifth Wheel Spacer	G-3, H-4
61301	Fifth Wheel Spacer	H-7
61302	Fifth Wheel Turret	H-5
61410	Fifth Wheel Coupler	H-7
61411	Fifth Wheel Coupler	H-7
61412	Fifth Wheel Coupler	H-5
61420	Fifth Wheel Coupler	H-7
61421	Fifth Wheel Coupler	H-7
61422	Fifth Wheel Coupler	H-5
61450	Fifth Wheel Coupler	H-7
61452	Fifth Wheel Coupler	H-5
62	Vehicle Connector	C-21
6201	Clevis Ball Mount	B-28
63	Vehicle Connector	C-21
6300	Gooseneck Hitch Head	G-7
63010	Pintle Hook Combo	B-18
6301020	Pintle Mount	B-18
63011	Pintle Hook Combo	B-18
6301120	Pintle Mount	B-18
63012	Pintle Hook Combo	B-18
6301220	Pintle Mount	B-18
63013	Pintle Hook	B-18
63014	Pintle Hook	B-18
63015	Pintle Hook	B-18
63016	Pintle Hook	B-18
63017	Pintle Hook Ball	B-18
63018	Pintle Hook Ball	B-18
63019	Pintle Hook Ball	B-18
63020	Pintle Chain Assy	B-18
63022	Lunette Ring	K-7
63023	Lunette Ring	K-7
63024	D-Ring	N-16
63025	D-Ring	N-16
63026	D-Ring	N-16
63027	D-Ring	N-16
63028	D-Ring	N-16
63029	Tow Hook	N-20
63030	Tow Hook	N-20
63032	Pintle Hook Hardware	B-18
63033	Lunette Hardware	K-7
63034	Hitch Safety Chain	N-15
63035	Hitch Safety Chain	N-15
63036	Lunette Ring	K-7
63040	Pintle Hook Combo	B-19
63041	Pintle Hook Combo	B-19
63042	Pintle Hook Combo	B-19
63043	Pintle Hook	B-19
63044	Hitch Tow Hook	B-19
63045	Tow Strap Mount	B-19

Part Number	Description	Page Number
63046	Tow Strap Loop	B-19
63047	Hitch Tow Hook	B-28
63050	Pintle Hook Ball	B-18
63051	Pintle Hook Ball	B-18
63052	Pintle Hook Ball	B-18
63056	Pintle Hook Plate	B-17
63057	Pintle Hook Plate	B-17
63058	Pintle Hook Plate	B-17
63059	Pintle Hook Plate	B-17
63060	Lunette Ring	K-7
63069	Hitch Pin and Clip	B-13, B-23
63070	Tri-Ball Ball Mount	B-13
63071	Dual-Ball Ball Mount	B-13
63072	Pintle Mount	B-14, B-17
63075	Tri-Ball Ball Mount	B-13
63076	Dual-Ball Ball Mount	B-13
6308	U-Bolt Safety Chain	G-7
63080	Hitch Anti Rattle	B-21
63082	Hitch Anti Rattle	B-21
63089	Ball Mount Holder	B-20
63090	Hitch Anti Rattle	B-21
63091	Hitch Anti Rattle	B-21
63100	Hitch Anti Rattle	B-21
63100-025	Hitch Anti Rattle	B-28
63120	2 Bicycle Rack	I-4
63123	3 Bicycle Rack	I-9
63124	4 Bicycle Rack	I-4
63134	2 Bicycle Rack	I-5
63135	Bike Carrier Strap	I-5
63138	4 Bicycle Rack	I-5
63148	Bike Carrier Cradle	I-4
63148	Bike Carrier Cradle	I-9
63153	Cargo Carrier	I-2
63155	Cargo Carrier	I-2
63180	Tow Bar	N-15
63181	Tow Bar	N-15
63201	Hitch Anti Rattle	B-21
63202	Hitch Pin and Clip	B-28
63203	Hitch Pin and Clip	B-20
63204	Hitch Pin and Clip	B-20
63205	Hitch Pin and Clip	B-20
63216KA	Trailer Hitch Lock	B-29
63218KA	Trailer Coupler Lock	B-29
63219KA	Trailer Coupler Lock	B-29
63220KA	Trailer Coupler Lock	B-29
63221KA	Trailer Coupler Lock	B-29
63222KA	Trailer Coupler Lock	B-29
63223	Trailer Hitch Lock	B-22
63224	Trailer Hitch Lock	B-22
63225	Trailer Coupler Lock	B-23
63227	Trailer Coupler Lock	B-23
63228	Trailer Coupler Lock	B-23
63233	Cable Lock	B-28
63240	Hitch Pin and Clip	B-20
63241	Hitch Pin and Clip	B-20
63242	Hitch Pin and Clip	B-20
63243	Hitch Pin and Clip	B-20
63248	Trailer Hitch Lock	B-22
63250	Trailer Coupler Lock	B-28
63251	King Pin Lock	F-8
63252	Trailer Hitch Lock	B-22
63253	Trailer Hitch Lock	B-22
63254	Fifth Wheel Lock	F-8
63255	Cable Lock	B-24
63256	Trailer Hitch Lock	B-23
63258	Hitch Pin and Clip	B-20
63259	Trailer Hitch Lock	B-23
63260	Trailer Hitch Lock	B-23
63300	Hitch Alignment	B-24, N-18

Part Number	Description	Page Number
63451	Hitch Safety Chain	N-15
63604	Cargo Carrier Bag	I-3
63801	Trailer Hitch Ball	B-25
63802	Trailer Hitch Ball	B-5
63803	Trailer Hitch Ball	B-5
63804	Trailer Hitch Ball	B-25
63805	Trailer Hitch Ball	B-25
63806	Trailer Hitch Ball	B-25
63807	Trailer Hitch Ball	B-25
63808	Hitch Ball Shank	B-25
63809	Hitch Ball Shank	B-25
63810	Trailer Hitch Ball	B-3
63810-006	Trailer Hitch Ball	B-25
63811	Trailer Hitch Ball	B-25
63812	Trailer Hitch Ball	B-3
63813	Trailer Hitch Ball	B-25
63814	Trailer Hitch Ball	B-3
63816	Trailer Hitch Ball	B-3
63816-006	Trailer Hitch Ball	B-25
63817	Trailer Hitch Ball	B-25
63818	Trailer Hitch Ball	B-25
63819	Trailer Hitch Ball	B-25
63820	Trailer Hitch Ball	B-4
63821	Trailer Hitch Ball	B-25
63822	Trailer Hitch Ball	B-4
63823	Trailer Hitch Ball	B-25
63824	Trailer Hitch Ball	B-4
63830	Trailer Hitch Ball	B-4
63831	Trailer Hitch Ball	B-25
63834	Trailer Hitch Ball	B-4
63835	Trailer Hitch Ball	B-25
63836	Trailer Hitch Ball	B-4
63840	Trailer Hitch Ball	B-4
63845	Trailer Hitch Ball	B-4
63845-006	Trailer Hitch Ball	B-25
63846	Trailer Hitch Ball	B-25
63847	Trailer Hitch Ball	B-4
63847-006	Trailer Hitch Ball	B-25
63848	Trailer Hitch Ball	B-25
63849	Trailer Hitch Ball	B-4
63850	Trailer Hitch Ball	B-25
63851	Trailer Hitch Ball	B-3
63852	Trailer Hitch Ball	B-4
6385288	Trailer Hitch Ball	B-5
63853	Trailer Hitch Ball	B-4
63864	Trailer Hitch Ball	B-4
63880	Trailer Hitch Ball	B-3
63881	Trailer Hitch Ball	B-25
63882	Trailer Hitch Ball	B-3
63884	Trailer Hitch Ball	B-3
63885	Trailer Hitch Ball	B-25
63887	Trailer Hitch Ball	B-4
63888	Trailer Hitch Ball	B-25
63889	Trailer Hitch Ball	B-4
63896	Trailer Hitch Ball	B-4
63897	Trailer Hitch Ball	B-25
63899	Trailer Hitch Ball	B-4
63907	Trailer Hitch Ball	B-25
63908	Trailer Hitch Ball	B-4
63909	Trailer Hitch Ball	B-4
63910	Trailer Hitch Ball	B-25
63911	Weight Dist. Shank	B-13, B-14, B-17, E-7
63912	Trailer Hitch Ball	B-5
63971	Weight Dist. Shank	E-7
64 0801	Coupler Repair Kit	K-12
6425	Gooseneck Template	G-8
6495	Winch Mounting Plate	A-10, L-10
6502	Cargo Carrier	I-2

Part Number	Description	Page Number
6504	Cargo Carrier Lights	M-20
65509	Weight Distributing	E-11
6562	Emulator	C-39
6565	Current Monitor	C-39
6580	Adjust Ball Mount	B-27
66 0801	Coupler Wedge-Latch	K-8
66006	Weight Distributing	E-12
66020	Weight Distributing	E-12
66021	Weight Distributing	E-12
66022	Weight Distributing	E-12
6604	Trailer Grease Seal	N-10
6605	Trailer Grease Seal	N-10
66072	Weight Distributing	E-5
66073	Weight Distributing	E-5
66074	Weight Distributing	E-5
66075	Weight Distributing	E-5
66082	Weight Distributing	E-5
66083	Weight Distributing	E-5
66084	Weight Distributing	E-5
66086	Weight Distributing	E-11
66087	Weight Distributing	E-11
66088	Weight Distributing	E-11
66130	Weight Distributing	E-5
66131	Weight Distributing	E-12
6637	Wght Dist Snapup Kit	E-8
66540	Weight Distributing	E-12
66541	Weight Distributing	E-12
66542	Weight Distributing	E-12
66557	Weight Distributing	E-4
66558	Weight Distributing	E-4
66559	Weight Distributing	E-4
66560	Weight Distributing	E-4
66561	Weight Distributing	E-4
6658	Trailer Grease Cap	N-10
67 0801	Coupler Wedge-Latch	K-8
6715	Spare Tire Carrier	A-10
67509	Weight Distributing	E-11
6758	Hitch Work Step	A-10
6771	Hitch Skid Plug	A-10
6810	Drill Bit	A-9
6811	Drill Bit	A-9
6811S00	Trailer Jack Wheel	J-9, J-10
68200	Fifth Wheel Spacer	H-3
68202	Fifth Wheel Wedge	H-3
68203	Fifth Wheel Wedge	H-3
68204	Fifth Wheel Wedge	H-3
68205	Fifth Wheel Wedge	H-3
68220	Fifth Wheel Coupler	H-3
690020	Ratchet Jack	J-25
690071	Ratchet Tie Down	J-25
6927	Brake Control Kit	D-3, D-4
7000	Battery Switch	C-37
7000100	Tire Chocks	N-14, N-18
7000-S	Battery Switch	C-37
7001	Battery Switch	C-37
7001-S	Battery Switch	C-37
7005300	Trailer Coupler Lock	B-23
7006100	Hitch & Coupler Lock	B-23
7010	Hitch Tube Cover	B-24
7010A	Circuit Breaker	C-38
7010A-S	Circuit Breaker	C-38
7011800300	Trailer Jack Mount	J-32
7011A	Circuit Breaker	C-38
7011A-S	Circuit Breaker	C-38
7012A	Circuit Breaker	C-38
7012A-S	Circuit Breaker	C-38
7013A	Circuit Breaker	C-38
7013A-S	Circuit Breaker	C-38
701466	Trailer Jack Crank	J-20

Part Number	Description	Page Number
702275	Trailer End Wiring	C-20
7022A	Circuit Breaker	C-38
7022A-S	Circuit Breaker	C-38
702305	Vehicle End Wiring	C-20
702405	Trailer End Wiring	C-20
7030288	Trailer Hitch Lock	B-23
7033400	Farm Jack	J-25
70-38-010	Trailer Reflector	M-42
70-38-020	Trailer Reflector	M-42
7048400	Farm Jack Foot Plate	J-25
7050	Hitch Tube Cover	B-24
70-55-010	Trailer Reflector	M-42
70-55-020	Trailer Reflector	M-42
7060900	Farm Jack	J-25
7061520	Jack Handle Holder	J-25
7064120	Farm Jack Repair Kit	J-25
7064200	UTV Jack	J-25
70-68-010	Trailer Reflector	M-42
70-68-020	Trailer Reflector	M-42
707103	Trailer End Wiring	C-17
707104	Trailer End Wiring	C-17
707105	Trailer End Wiring	C-20
70-71-170	Trailer Reflector	M-42
70-71-175	Trailer Reflector	M-42
70-71-180	Trailer Reflector	M-41
70-71-181	Trailer Reflector	M-41
7071300	Sport Utility Jack	J-25
70-72-020	Trailer Reflector	M-42
70-72-030	Trailer Reflector	M-42
707250	Adapter 7 to 5-Flat	C-32
707254	Tow Wiring Loop	C-17
707255	Tow Wiring Loop	C-20
707261	Trailer End Wiring	C-17, M-8, M-9, M-20
707270	Trailer End Wiring	C-17
707272	Vehicle End Wiring	C-17
707273	Vehicle End Wiring	C-20
707275	Vehicle End Wiring	C-17, M-8, M-9, M-18, M-20, M-22
707281	Adapter 6 to 4-Flat	C-32
707282	Adapter 7 to 4-Flat	C-32
707283	Trailer End Wiring	C-20
707285	Trailer End Wiring	C-17
707286	Trailer End Wiring	C-17
70-78-010	Trailer Reflector	M-41
70-78-020	Trailer Reflector	M-41
70-78-050	Trailer Reflector	M-41
70-78-060	Trailer Reflector	M-41
7086500	Farm Jack	J-25
7088900	Farm Jack	J-25
71-78-010	Trailer Reflector	M-41
71-78-020	Trailer Reflector	M-41
719063	Taillight Plug	M-8, M-9, M-10, M-11, M-19, M-21, M-23, M-36
7200	Dielectric Silicone	C-41
7200P	Dielectric Silicone	C-41
72783	Trailer Coupler Lock	B-23
73864	Towing Light Kit	M-18
7390	Adjust Ball Mount	B-14
74099	Hitch Tube Cover	B-29
74184	Adapter 7 to 4-Flat	C-29
74342	Hitch Ball Wrench	A-10, B-24
74-38-010	Trailer Reflector	M-42
74-38-020	Trailer Reflector	M-42
74527DT	Loading Ramp	I-5
74547	Hitch Tube Cover	B-29
74-55-010	Trailer Reflector	M-42
74-55-020	Trailer Reflector	M-42

Part Number	Description	Page Number
74607	Adapter 7 to 4-Flat	C-32
74633	4-Way Tester	C-39
74641	Electrical Connector Storage Box	C-36
74645	7-Way to 6-Way Adapter	C-32
74-68-010	Trailer Reflector	M-42
74-68-020	Trailer Reflector	M-42
74682	Tow Harness Kit	C-5
74700	Safety Chain Link	N-16
74-71-170	Trailer Reflector	M-42
74-71-175	Trailer Reflector	M-42
74-71-180	Trailer Reflector	M-41
74-71-181	Trailer Reflector	M-41
74-72-040	Trailer Reflector	M-42
74-78-010	Trailer Reflector	M-41
74-78-020	Trailer Reflector	M-41
7585	Bench Tester	C-39
767940	Adapter 7 to 5-Flat	C-32
767943	Plug Tester	C-41
7685	Brake Control Kit	D-3
7686	Brake Control Brkt	D-3
78007	Adapter 7 to 4-Flat	C-33
78117	Adapter 7 to 4-Flat	C-33
78118	Adapter 7 to 5-Flat	C-33
7865	Brake Control Harnes	D-7
787159	Tow Wiring Loop	C-19
787206	Adapter 5 to 5-Flat	C-33
787207	Adapter 7 to 5-Flat	C-33
787208	Adapter 7 to 5-Flat	C-33
787264	Trailer End Wiring	C-19
787268	Trailer End Wiring	C-19
787270	Trailer End Wiring	C-19
787274	Trailer End Wiring	C-19
787302	Trailer Connector	C-30
787303	Vehicle Connector	C-30
787304	Trailer Connector	C-30
787305	Vehicle Connector	C-30
787535	Junction Box	C-36
7894	Brake Control Wire	D-3, D-4
7894	Brake Control Wire	D-7
800075	Trailer Jack Crank	J-20
800090	Trailer Jack Crank	J-20
800102	Trailer Jack Crank	J-20
8001090283	Trailer Jack Handle	J-24
800148	Trailer Jack Crank	J-20
80037	Hitch Tube Cover	B-29
80037-012	Hitch Tube Cover	B-29
80058-002	Towing Starter Kit	B-26
8010	Trailer Tester	C-39
80100	Reducer Bushing	B-25
80106	Reducer Bushing	B-25
802650	Ag Light Lens	M-47
802651	Ag Light Lens	M-47
802652	Ag Light Lens	M-47
80300	Hitch Adapter	B-15
80301	Hitch Adapter	B-15
80303	Hitch Adapter	B-15
80304	Hitch Adapter	B-15
80305	Hitch Extension	B-16
80306	Hitch Extension	B-16
80307	Hitch Extension	B-16
80404	Dual-Ball Ball Mount	B-27
80406	Dual-Ball Ball Mount	B-12
80410	Clevis Ball Mount	B-28
80425	Tri-Ball Ball Mount	B-12
80426	Tri-Ball Ball Mount	B-12
80472-002	Towing Starter Kit	B-26
80500	Brake Control	D-6
80550	Brake Control	D-6



Part Number	Description	Page Number
80583-002	Towing Starter Kit	B-26
80644-002	Towing Starter Kit	B-26
80791	Tri-Ball Ball Mount	B-12
80795	Dual-Ball Ball Mount	B-27
80796	Dual-Ball Ball Mount	B-12
80797	Dual-Ball Ball Mount	B-27
80798	Dual-Ball Ball Mount	B-12
80799	Tri-Ball Ball Mount	B-12
80806	Hitch Receiver Tube	A-9
80812	Hitch Receiver Tube	A-9
80953	Hitch Tube Cover	B-29
80980	Hitch Tube Cover	B-29
81378	Step Bumper Hitch	A-8
82201	Motorhome Hitch	A-8
8260001	Agriculture Light	M-47
8260101	Agriculture Light	M-47
8260501	Agriculture Light	M-47
8260502	Agriculture Light	M-52
8260601	Agriculture Light	M-47
8260602	Agriculture Light	M-47
8261001	Agriculture Light	M-47
8261002	Agriculture Light	M-47
8261501	Agriculture Light	M-47, M-48
8261601	Agriculture Light	M-47, M-48
8261605	Agriculture Light	M-47
83001	Lube Plate	F-8
83002	Lube Plate	F-8
83003	Lube Plate	F-18
83004	Lube Plate	F-8
83058-002	Towing Starter Kit	B-26
83238-002	Towing Starter Kit	B-26
8339	Gooseneck Hitch Head	G-7
83407-002	Towing Starter Kit	B-9
83501	Brake Control	D-6
83504	Brake Control	D-6
83583-002	Towing Starter Kit	B-26
83637	Class I Drawbar Kit	B-28
83644-002	Towing Starter Kit	B-26
83660	Sway Control	E-6
85208	Tow Wiring	C-19
85216	7-Way to 6-Way Adapter - Alternate Pin	C-32
85218	4-Way Flat Dust Cover	C-19
85219	7-Way U.S. Car Replacement Socket	C-6
85343	Adapter 7 to 4-Flat	C-32
8549100	Trailer End Wiring	C-25
8551511	Vehicle Connector	C-6
85-767010	Taillight Snap Ring	M-10
86005	Rebuild Kit	H-7
86007	Service Kit	G-3, H-3
90-03-327	Trailer Light Lens	M-35
90-03-328	Trailer Light Lens	M-22, M-35
90-03-336	Trailer Taillight	M-20
90160	Brake Control	D-3
90195	Brake Control	D-3
90250	Brake Control	DELETE
902502	Brake Control	D-2
90255	Hand Held Remote	D-2
9030	Brake Control	D-4
90885	Brake Control	D-3
90920	Brake Control	D-2
94241DT	Cargo Net	I-10
9424200	Cargo Net	I-6
94247DT	Cambuckle Tie Down	I-11
94252DT	Ratchet Tie Down	I-11
94255DT	Ratchet Tie Down	I-11
94260DT	Ratchet Tie Down	I-11
94262DT	Ratchet Tie Down	I-11
94263DT	Recovery Strap	I-10
94264DT	Recovery Strap	I-10

Part Number	Description	Page Number
94273DT	Ratchet Tie Down	I-11
94316	Rebuild Kit	H-5
94420	Fifth Wheel Coupler	H-2
9460	Gooseneck Hitch Head	G-6
9464	Gooseneck Hitch Head	G-6
9465	Gooseneck Hitch Head	G-6
9466	Gooseneck Hitch	G-6
9467	Gooseneck Hitch	G-6
9468	Gooseneck Hitch Head	G-6
94716	Gooseneck RV Coupler	G-3, H-4
94720	Gooseneck RV Coupler	G-3, H-4
9480	Gooseneck 5th Wheel	F-7, G-5
94815DT	Ratchet Tie Down	I-11
94816DT	Cambuckle Tie Down	I-11
94824DT	Ratchet Tie Down	I-11
94828DT	Ratchet Tie Down	I-11
9485	Gooseneck Hitch	G-6
94853DT	Ratchet Tie Down	I-11
95108DT	Ratchet Tie Down	I-11
95111DT	Ratchet Tie Down	I-11
95118DT	Ratchet Tie Down	I-11
95120DT	Ratchet Tie Down	I-11
95142DT	Ratchet Tie Down	I-11
95150DT	Loading Ramp	I-5
95151DT	Loading Ramp	I-5
95167DT	Tree Saver Strap	I-10
95235DT	Tie Down Anchor	I-10
95236DT	Tie Down Anchor	I-10
95451DT	Recovery Strap	I-10
95463DT	Ratchet Tie Down	I-11
95466DT	Ratchet Tie Down	I-11
95473DT	Ratchet Tie Down	I-11
A2003C0317	Trailer Coupler	K-8
A2005C0317	Trailer Coupler	K-8
A200C 0317	Trailer Coupler	K-8
A200S 0303	Trailer Coupler	K-12
A2563C0317	Trailer Coupler	K-8
A2565C0317	Trailer Coupler	K-8
A256C 0317	Trailer Coupler	K-8
A256S 0303	Trailer Coupler	K-12
AC300 0300	Coupler Channel	K-7, K-8, K-12
AC500 0300	Coupler Channel	K-7, K-8, K-12
BB19800112	Wheel Bearing Cap	N-12
BGR20 0101	Roller Guides	N-14
BP198S0304	Wheel Bearing Cap	N-12
BP244S0304	Wheel Bearing Cap	N-12
BP244S0604	Wheel Bearing Cap	N-12
BPC1980604	Wheel Bearing Cap	N-12
CA5550301	Trailer Jack Plate	J-31
CE555 0101	Trailer Jack Caster	J-31
CH 0701	Coupler Handle	K-12
CHA0010140	Hitch Safety Chain	N-15
CHA0010340	Hitch Safety Chain	N-15
CHA0020324	Hitch Safety Chain	N-15
CHA0030140	Hitch Safety Chain	N-15
CHA0040324	Hitch Safety Chain	N-15
CHA0050324	Hitch Safety Chain	N-15
CHA0060324	Hitch Safety Chain	N-15
CHA0070324	Hitch Safety Chain	N-15
CLK15 0100	Cable Lock	B-24
CR8008	Bunk Carpeting	N-14
CR8012	Bunk Carpeting	N-14
CS730300	Trailer Jack Shaft	J-20, J-24
DF35000324	Trailer Jack Leg	J-30
E333050303	Trailer Coupler	K-12
E338050303	Trailer Coupler	K-12
E438050303	Trailer Coupler	K-12
E443050303	Trailer Coupler	K-12
EA20000103	Trailer Jack	J-27

Part Number	Description	Page Number
EA2000303	Trailer Jack	J-27
EA2000340	Trailer Jack	J-27
EJ1000101	Trailer Jack	J-10
ETC 0101	Spare Tire Carrier	N-17
ETCHL 0700	Spare Tire Carrier	N-17
ETCLB 0700	Spare Tire Carrier	N-17
ETCSTL0701	Spare Tire Carrier	N-17
F2000 0301	Trailer Jack Footpad	J-31
F3500 0324	Trailer Jack Plate	J-35
FP20000201	Trailer Jack Foot	J-31
FW16000101	Trailer Winch	L-4
FW20000101	Trailer Winch	L-4
FW32000101	Trailer Winch	L-4
FW3200S01	Winch Gear Kit	L-4
GB150 0100	Boat Trailer Guide	N-14
GB44 0101	Boat Trailer Guide	N-14
GN24 0200	Gooseneck Coupler	K-5
HD25000101	Trailer Jack	J-10
HD50000101	Trailer Jack	J-10
HDPB230101	Trailer Tongue Hinge	K-11
HDPB330101	Trailer Tongue Hinge	K-11
HDPB340101	Trailer Tongue Hinge	K-11
HDPB350101	Trailer Tongue Hinge	K-11
HDSTC 0101	Spare Tire Carrier	N-17
JC1000300	Safety Chain Clip	N-16
KR10000301	Brake Winch	L-9
KR15000301	Brake Winch	L-9
LP516 0201	Trailer Jack Pin	J-30
MKG0196	Draw-Tite Tested Tough Banner	O-6
MKG0198	REESE Hours Sign	O-5
MKG0202	REESE Products Banner	O-6
MKG0209	BULLDOG Header Card	O-6
MKG0216	Draw-Tite Hours Sign	O-5
MKG0218	Draw-Tite Header Card	O-2, O-6
MKG0219	Draw-Tite Header Card	O-6
MKG0346	REESE Header Card	O-6
MKG1276	BULLDOG Military Banner	O-6
MKG1929	Draw-Tite Window Cling	O-5
MKG2097	Display Stand	O-3
MKG2136	ZCI Brochures	O-4
MKG2358	Countertop Display	O-4
MKG3245	Fulton Counter Mat	O-6
MKG3246	BULLDOG Counter Mat	O-6
MKG3247	Draw-Tite Counter Mat	O-6
MKG3248	REESE Counter Mat	O-6
MKG3249	Tekonsha Counter Mat	O-6
MKG3347	REESE Banner	O-6
MKG3348	Draw-Tite Banner	O-6
MKG3350	Fulton Banner	O-6
MKG3351	BULLDOG Banner	O-6
MKG3353	Tekonsha Banner	O-6
MKG3355	REESE M5 Counter Mat	O-6
MKG3356	REESE Pro Counter Mat	O-6
MKG3357	REESE Goose Box Counter Mat	O-6
OML 0127	Boat Motor Lock	N-14
P20520-00	Trailer Jack Bracket	J-32
P9222-00	Trailer Jack Bracket	J-12, J-32
PD110101	POD Warning Lights	N-19
PD110200	POD Warning Lights	N-18
PD110700	POD Lights Display	N-18
PL4 0201	Coupler Pin/Lanyard	K-8
PQM19-00	Trailer Jack Mount	J-32
R4000-1	Roof Rack	I-7
R7001	Roof Rack	I-7
R7002	Roof Rack	I-7
R7003	Roof Rack	I-7
R7010	Roof Rack	I-7
R7011	Roof Rack	I-7
R7012	Roof Rack	I-7

Part Number	Description	Page Number
RB43	Roof Rack	I-7
RB47	Roof Rack	I-7
RB53	Roof Rack	I-7
RB50	Roof Rack	I-7
RE43	Roof Rack	I-7
RE47	Roof Rack	I-7
RE53	Roof Rack	I-7
RE60	Roof Rack	I-7
RV20000103	Trailer Jack	J-27
RV20000303	Trailer Jack	J-27
SJ1 0300	Trailer Stabilizer	J-30
SJ2 0324	Trailer Stabilizer	J-30
SJ3 0300	Trailer Stabilizer	J-35
SJ4 0324	Trailer Stabilizer	J-30
SJ5 0324	Trailer Stabilizer	J-35
SJL8 0300	Trailer Stabilizer	J-30
SJW 0324	Trailer Stabilizer	J-35
SPAQ500300	Trailer Jack A-Plate	J-35
SPBQ500300	Trailer Jack Plate	J-35
ST400	Fifth Wheel Turret	H-5
ST400-5AS16K	Fifth Wheel Coupler	H-5
ST400-SW16K	Fifth Wheel Coupler	H-7
ST400-SW19K	Fifth Wheel Coupler	H-7
STC1000101	Spare Tire Carrier	N-17
STC1000301	Spare Tire Carrier	N-17
STL 0603	Spare Tire Lock	N-17
SW16K	Fifth Wheel Coupler	H-7
SW19K	Fifth Wheel Coupler	H-7
SWW-01	Fifth Wheel Wedge	H-6
SWW-03	Fifth Wheel Wedge	H-6
SWW-04	Fifth Wheel Wedge	H-6
SWW-05	Fifth Wheel Wedge	H-6
SWW-06	Fifth Wheel Wedge	H-6
SWW-07	Fifth Wheel Wedge	H-6
SWW-08	Fifth Wheel Wedge	H-6
SWW-09	Fifth Wheel Wedge	H-6
TJ12000101	Trailer Jack	J-10
WB100 0700	Wheel Bearing Cap	N-11
WB106 0700	Wheel Bearing Cap	N-11
WB138T0700	Wheel Bearing Cap	N-11
WC325 0100	Trailer Winch Cable	L-7, L-8, L-9
WC750 0100	Trailer Winch Cable	L-7, L-8, L-9
WS20HD0600	Trailer Winch Strap	L-5, L-6, L-7
XP10 0101	Trailer Jack	J-9
XP10 0126	Trailer Jack	J-9
XP15 0101	Trailer Jack	J-9
XP15 0126	Trailer Jack	J-9
XP15L 0101	Trailer Jack	J-9
XPD15L0101	Trailer Jack	J-9
XPD15L0126	Trailer Jack	J-9