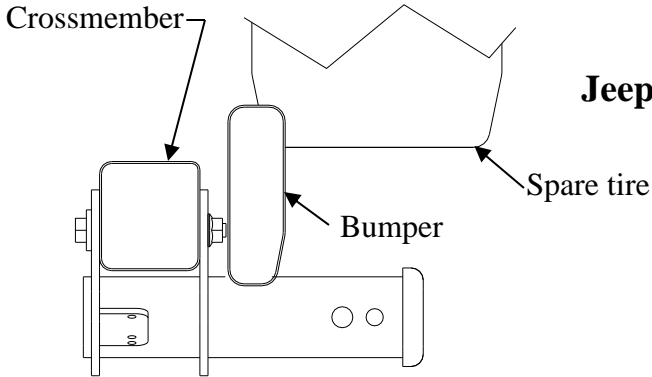


Installation Instructions

Part Numbers:

Jeep Wrangler
Jeep Wrangler Unlimited

75515
44557
87424



**Do Not Exceed Lower of Towing Vehicle
Manufacturer's Rating or**

Hitch type	Max Gross Trailer WT (LB)	Max Tongue WT (LB)
Weight Distributing	4500 (2043 Kg)	675 (306 Kg)
Weight Carrying Ball Mount	4500 (2043 Kg)	675 (306 Kg)

Hitch Shown In Proper Position

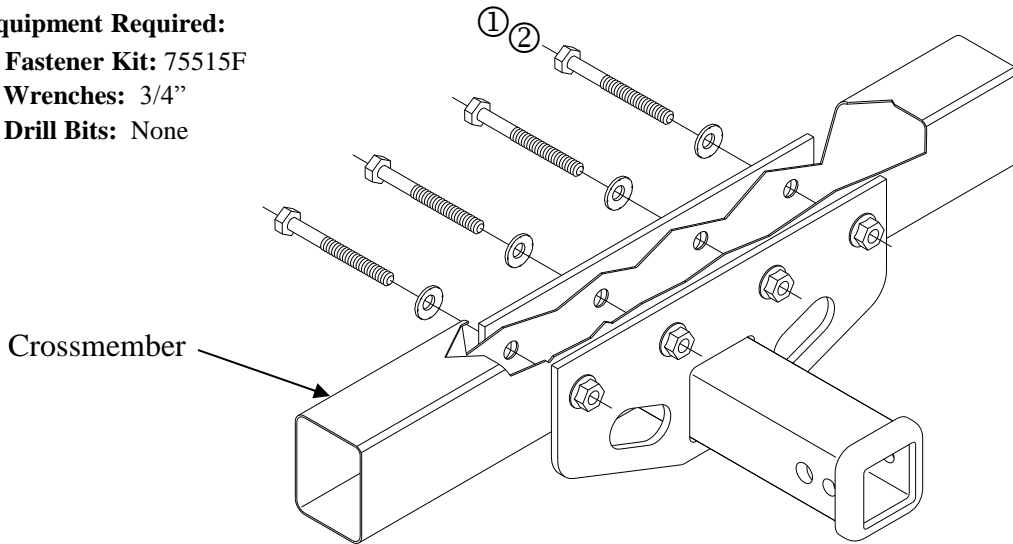
Wiring Access Location: TBA

Equipment Required:

Fastener Kit: 75515F

Wrenches: 3/4"

Drill Bits: None



①	Qty. (4)	Hex Bolt 1/2-13 X 4.50	②	Qty. (4)	Conical Washer
---	----------	------------------------	---	----------	----------------

For vehicles with OEM Tow Hook: Tow hook must be permanently removed for hitch installation.

1. Lower exhaust. (If required)
2. Raise hitch into position.
3. Install fasteners as shown above.
4. Reinstall the vehicle exhaust. (If required)

Tighten all 1/2-13 GR5 fasteners with torque wrench to 75 Lb.-Ft. (102 N*M)

Note: check hitch frequently, making sure all fasteners and ball are properly tightened. If hitch is removed, plug all holes in trunk pan or other body panels to prevent entry of water and exhaust fumes. A hitch or ball which has been damaged should be removed and replaced. Observe safety precautions when working beneath a vehicle and wear eye protection. Do not cut access or attachment holes with a torch.

This product complies with safety specifications and requirements for connecting devices and towing systems of the state of New York, V.E.S.C. Regulation V-5 and SAE J684.