

1/10th 4WD Electric Power R/C Rock Crawler/Extra Longer Version

Specifications:

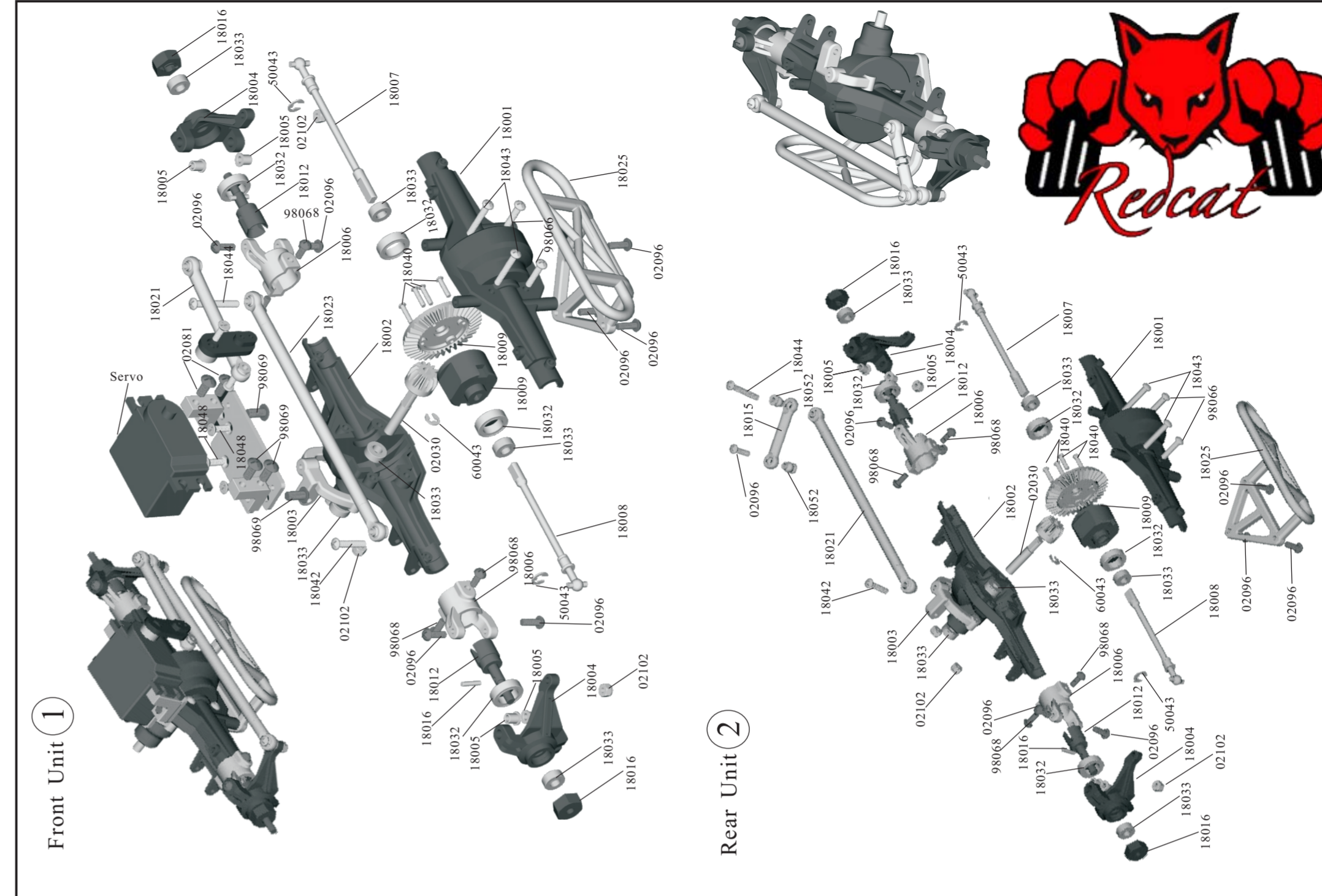
LENGTH	WIDTH	HEIGHT	WHEEL BASE	GROUND CLEARANCE	DIAMETER OF WHEEL	WIDTH OF WHEEL	GEAR RATIO	SERVO
450mm	258mm	200mm	320mm	26mm	126mm	56mm	1:48	9kg
Extra longer version:470mm								

Spare Part

18001-Front Gear Box (Shell Only)	18002-Rear Gear Box (Shell only)	18110-Front/Rear Gear Box (Shell only)	18003-Center Link Ball Mounts
18004-Steering Arm Mounts	18006-Caster Mounts (L/R)	18007-Drive Shaft(L)	18008-Drive Shaft(R)
18009-Connect Box W/ Main Gear (38T)	02030-Drive Gear (13T)	18010-Servo Plate W/Servo Mount	18011-Body Post Mount
18013-Tire W/Foam	18071-Rims/Secure Ring	18072-Pre-Mounted Tire Set	18012-Wheel Axle
18016-Wheel Hex. W/ Pins(2*10)	18018-Chassis	02053-Body Clip	18015-Adjustable Linkage
18024-Gear Box Set	<p>whole part include the above parts</p>		18025-Bumper

Spare Part

18026-Side Plate	18027-Universal Driven Dogbone	18019-Shock Absorber (Hard)	18019N-Shock Absorber (Soft)
18028-Battery Holder W/Covers	98060-Motor(RC540) W/ Gear (14T)	03200-Battery (NI-MH 7.2V 2000mAh) (03070)	18021-Servo Linkage (68.5mm)
18023-Connect Linkage(146mm)	02055-Nylon Nuts M4	18038-Nylon Nuts M2.5	02102-Nylon Nuts M3 (98055-8P)
18030-Ball Standφ5.9(Long)	18052-Ball Standφ5.9(Short)	18032-Ball Bearings (10*15*4)	18033-Ball Bearings (5*10*4)
50043-E-Clipsφ4.0 (18035)	60043-E-Clipsφ2.5 (18036-4P)	18037-Washer 6*2.7*0.5	18005-King Pin Bushing
18112-Shock Cup Tension Clips 8mm	98064-Cap Head Machine Screw M3*12 8P	98066-Cap Head Machine Screw M3*14 6P	18091-Cap Head Machine Screw M3*6 8P
02096-Cap Head Machine Screw M3*10 6P (18041-8P)	18042-Cap Head Machine Screw M3*16 6P	18043-Cap Head Machine Screw M3*20 6P	18044-Cap Head Machine Screw M3*25 4P



Spare Part

18045-Cap Head Machine Screw M3*24 6P	18046-Cap Head Machine Screw M3*26 6P	98069-Cap Head Machine Screw M4*8 8P	98068-Cap Head Machine Screw M3*8 8P
02081-Cap Head Self Tapping Screws 3*8 6P	18047-Countersink Head Machine Screw M3*8 8P	18048-Countersink Head Machine Screw M3*10 8P	18040-Round Head Machine Screw M2*10 6P
18113-Round Head Machine Screw M3*6 8P	18082-Column Head Self-Tapping Screw M2.5*6 8P	18050-Set Screw M3*20 6P	18051-Set Screw M3*15 6P
02099-M4*4 Grub Hex. Screw 10P	86081-M3*3Grub Hex. Screw 8P		(18039-4P)

Upgradable Optional

18001-Center Link Ball Mounts (AL.)	18002-Steering Arm Mounts (AL.)	18003-Caster Mounts (L/R) (AL.)	18004-Rims/Secure Ring (AL.)
180005-Bumper(AL.)	180006-Chassis(AL.)	180007-Shock Absorber (AL.)	180008-Body Post (AL.)
180009-Connect Box (W/Gear 38T) (AL.)	180010-Servo Mount (AL.)	180011-Universal Driven Dogbone (AL.)	180012-Battery Holder W/Covers (AL.)
180013-Gear Box (Shell Only) (AL.)	180014-Front Gear Box (Shell Only) (AL.)	180015-Rear Gear Box (Shell only) (AL.)	180016-Wheel Hex Mount W/Pins (2*10) (AL.)
180021-Alum Wheel Weight Set 150g	03019-Battery (NI-MH 7.2V 3000mAh)		

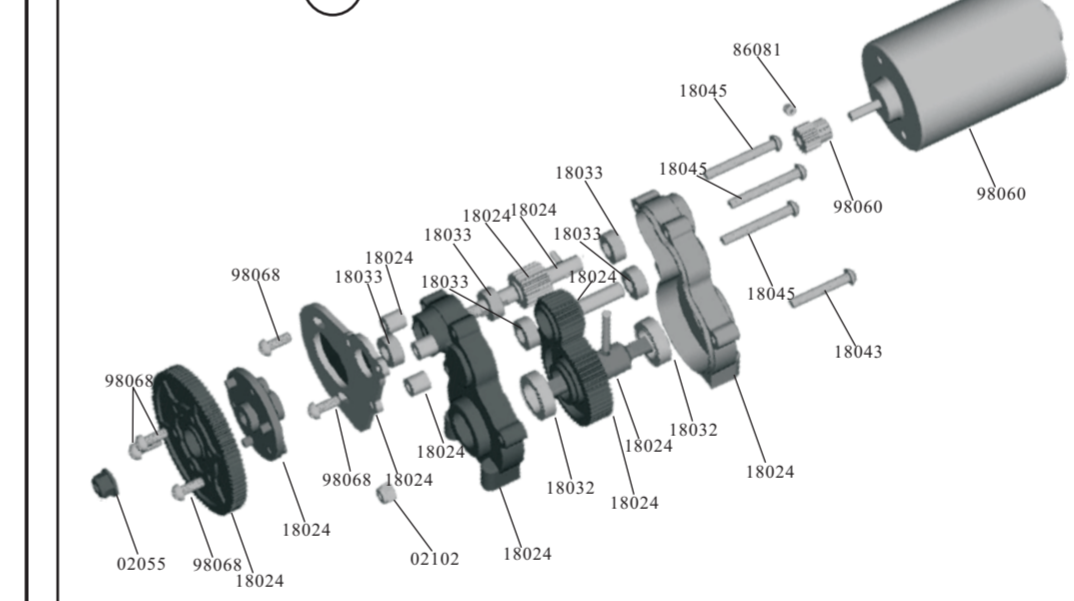
Crawler Spare Parts

18020-Side Linkage (142mm) (Old)	18084-Side Linkage (New)	18022-Center Linkage (105mm)
----------------------------------	--------------------------	------------------------------

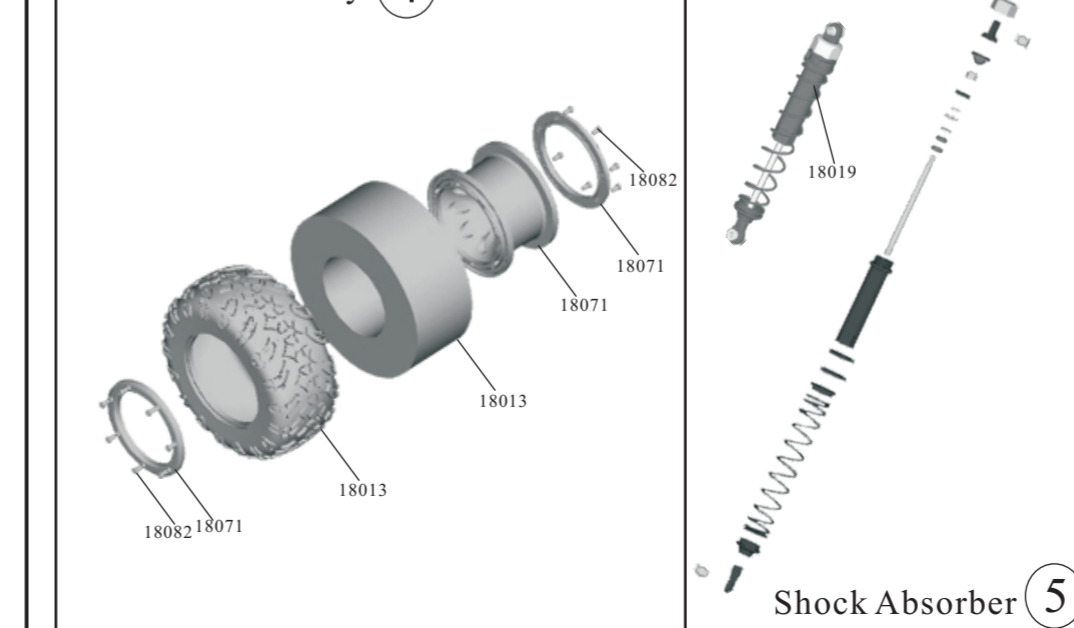
Crawler (Extra longer version) Spare Parts

18055-Side Linkage (160mm)	18111-Center Linkage (125mm)	18114-Side Guard(L/R)
----------------------------	------------------------------	-----------------------

Center Unit (3)

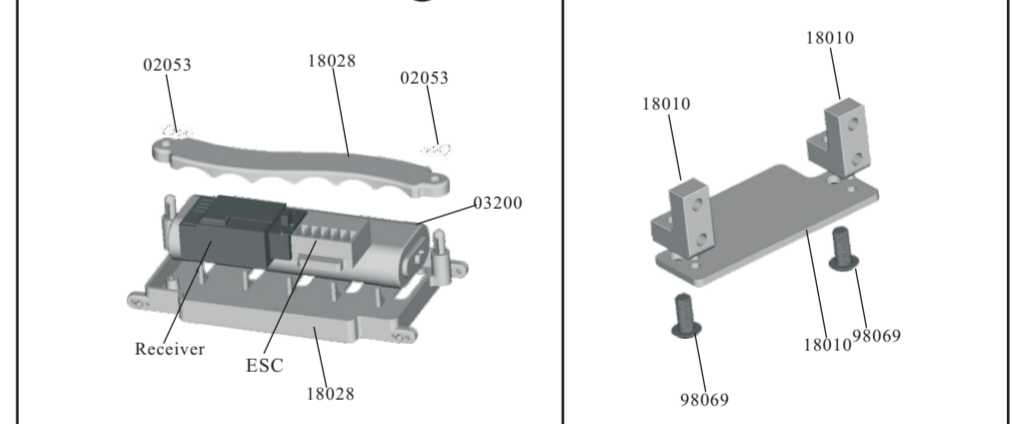


Tire Set Assembly (4)

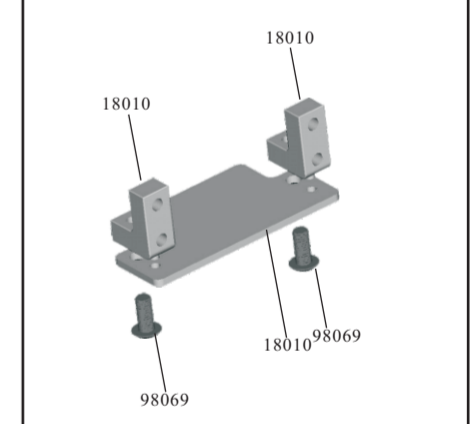


Shock Absorber (5)

Battery Assembly Set (6)



Servo Mount Assembly Set (7)



Crawler Exploded View

