

# Installation Instructions



For proper installation and best possible fit, please read all instructions BEFORE you begin.

## Important Safety Information



- Periodically check all components for tightness.
- Be sure to wear safety goggles while installing.
- When using power tools, read and understand all operating instructions

## Contents **NOTE:** Actual product may vary from illustration.

Soft Top Assembly x1  
(main fabric, side windows, rear windows)

End Clamp Main Body x2

Door Surround Set x1

Tailgate Bar x1

Anti-Puddle Poles x2

Short Middle Knobs x2

Retractable Trailview  
Hardware x1

Allen Key x2

End Clamp Backing x2

Tailgate Bar x1

Self-Drilling Screws x30

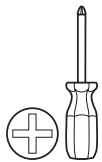
Hook & Loop Strip x2  
(for door surround)

(SM) Short Middle Knobs x2

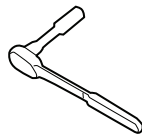
(LF) 60mm Long Front Knobs x2

(LR) 70mm Long Rear Knobs x2

## Tools Required



Phillips screwdriver



Ratchet and extensions



Torx Bits



Allen Wrench



Safety Glasses

## Pre-Installation Requirements

- Remove existing hard or soft top. For OEM (original/factory) soft tops, also remove:
  - Windshield header bar
  - Tube frame hardware from roll bar
  - Side door surrounds
  - Rear window, tailgate bar, tailgate clips

# Installation Steps

NOTE: Actual application may vary slightly from illustrations.

Unfold your new TrailView Soft Top™ and separate the packaged pieces.

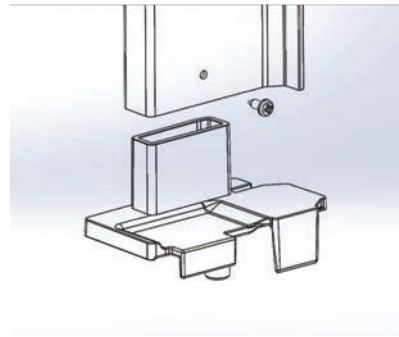


TIP: Driver's side pieces are sealed in green plastic packaging. Passenger's side pieces are sealed in clear plastic packaging. Set aside the windows for a later step and take care not to scratch them.

1

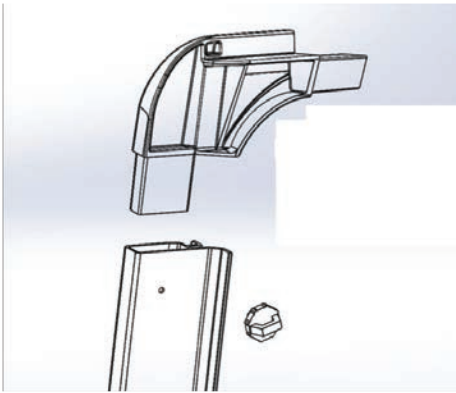
TIP: The factory door surrounds cannot be used. Use the Rampage door surround kit that has been designed specifically for the TrailView Soft Top™. This provided kit is a simple and sturdy mount for this top and is designed to reinforce some weak areas around the factory door surrounds.

Install driver's door surround base part with a self-drilling screw.



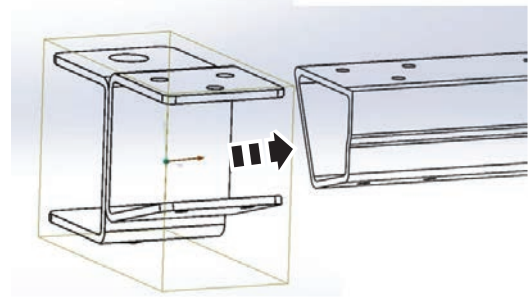
2

Install driver's side upper corner part with a small turn-knob bolt.



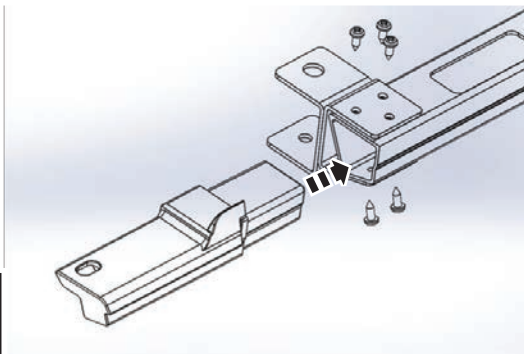
3

Slide driver's side front metal bracket onto front section of door surround.



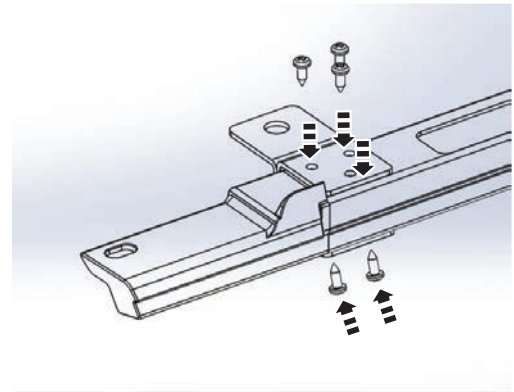
4

Push front plastic insert into front section of door surround.



5

Secure all pieces with 5 small self-drilling screws.



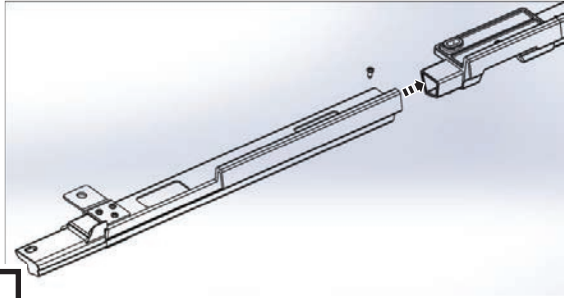
6

# Installation Steps

NOTE: Actual application may vary slightly from illustrations.

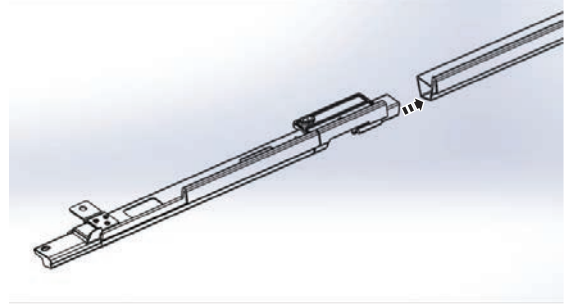
## 4-Door Model ONLY

Insert middle plastic piece into front door surround section and secure with a self-drilling screw.



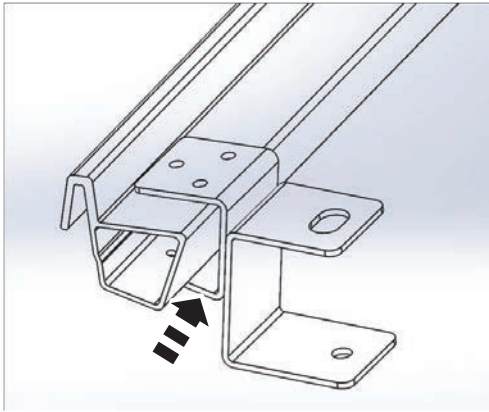
7

Join front surround section to rear surround section with a self-drilling screw.



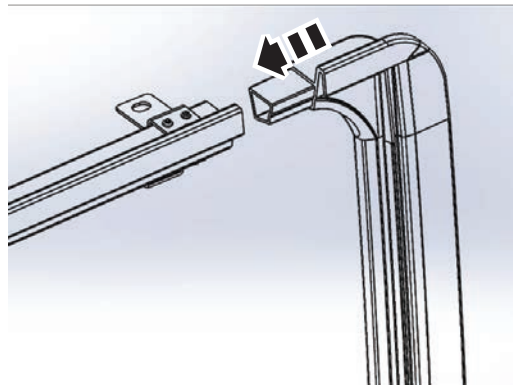
8

Slide the rear bracket onto the rear surround section.



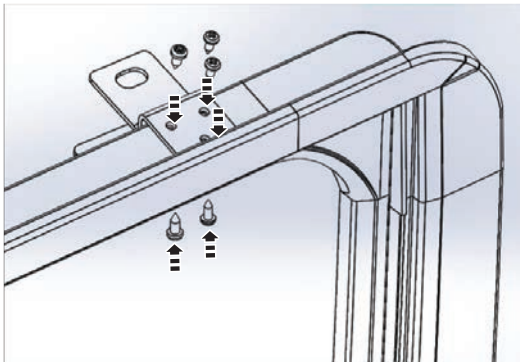
9

Insert corner piece of vertical upright into assembled front and rear surround.



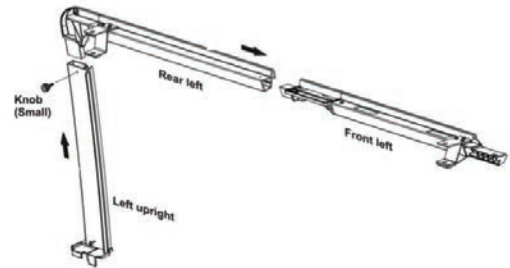
10

Secure all parts with 5 self-drilling screws.



11

Repeat this section (steps 1-11) to assemble passenger's side door surround.



12

Position completed door surround onto the vehicle and fit the bracket over the roll bar.



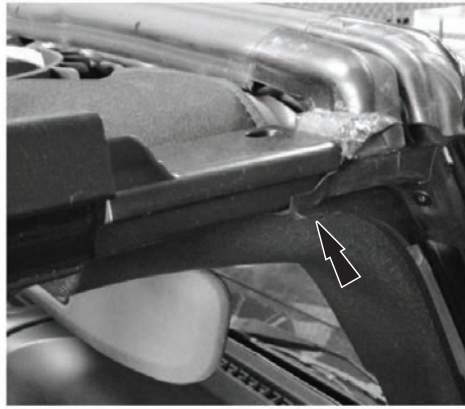
13



## Installation Steps

NOTE: Actual application may vary slightly from illustrations.

TIP: Make sure the rubber gasket at the top of the windshield is correctly sealed against the front surround section. See photo below for proper fit:



14

TIP: Make sure the rubber is correctly wrapped around the plastic center section before tightening with the center knob. See photo below for proper fit:



Inspect the clearance between top of windshield frame and door surround. Check that the factory foam seal is in place and refer to your Jeep® owners manual to ensure the door surrounds are properly fitted and tightened.

15

Fit door surround mount plate on top of door surrounds.



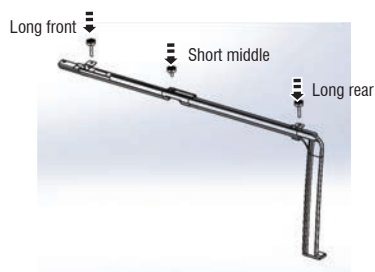
16

Secure the mount plate to the roll cage using turn-knobs in the pre-drilled holes.



17

Insert door surround knobs (SM, 70mm LR, 60mm LF) into door surround assembly. Position the Long Rear (LR) knob at the rear of the assembly and tighten. Repeat using the Long Front (LF) knob at the front of the assembly, and the Small (SM) knob in the middle.



18

Use a Torx T25 bit to remove the footman loop from the windshield on both the driver's and passenger's side. See photo below:



19

# Installation Steps

NOTE: Actual application may vary slightly from illustrations.

Place provided latch as shown and reattach with the Torx T25 bolt from the previous step.



20

Fold back the hardware tubes of the header channel assembly then insert into the main fabric. Secure with snaps as shown.



21

Tuck the plastic strip behind latches and along side rails. See photo below for proper fit:



22

**TIP:** It may be helpful to have a second person for this step. Place the top face down and re-fold, beginning with the rear window portion.

Lift the top and header channel assembly onto the windshield gasket. Fold the top over the frame working toward the windshield.



23

Prep the door surrounds by coating the area with the provided Hook & Loop Adhesive Primer stick. Apply to both sides and LET DRY 5 MINUTES.



24



Remove the backing then press the adhesive Hook & Loop strip onto the door surround. See photos below for proper alignment:



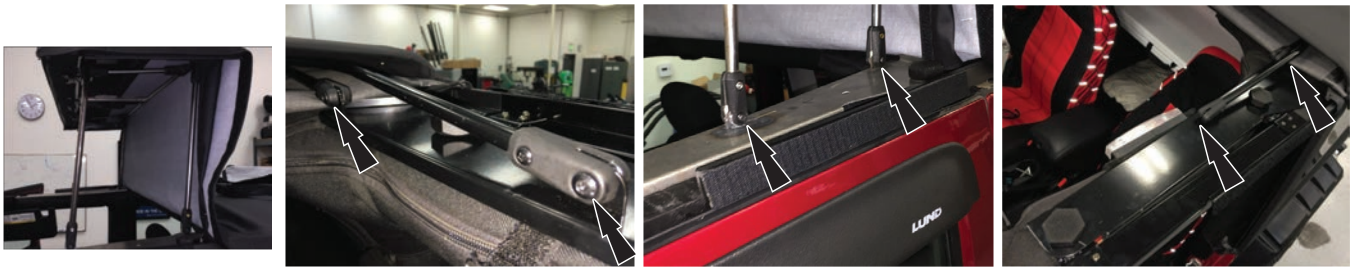
25



# Installation Steps

NOTE: Actual application may vary slightly from illustrations.

TIP: Lift up the main fabric for easier access to the brackets. Line up the brackets then secure with the counter-sink Allen head screw and nylon lock-nut. See photos below for proper fit:



26

Fold the top toward the windshield to close. Secure using latches.



27

Attach the latch to the metal flange. Adjust the hook to fit with slight tension when latch is closed.



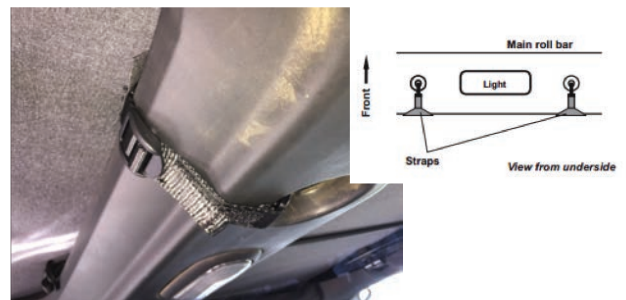
28

Unfold the cover fabric then pull over sound bar and roll cage, working toward the rear of the vehicle.



29

Wrap the 2 straps attached to the main section of fabric around the rear-middle of the sound bar. Insert plastic hooks into the holes on the underside of the sound bar. Tighten the strap until snug.



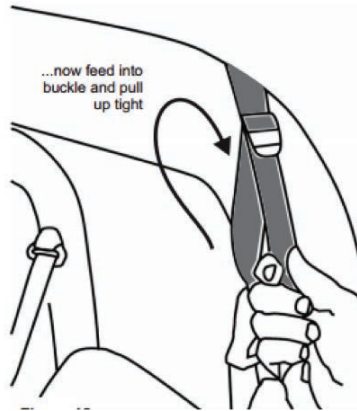
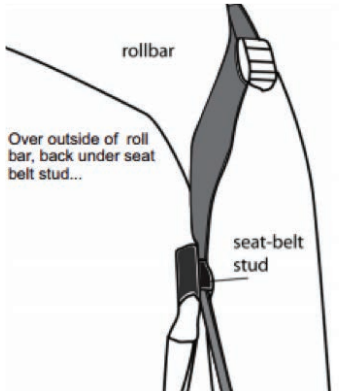
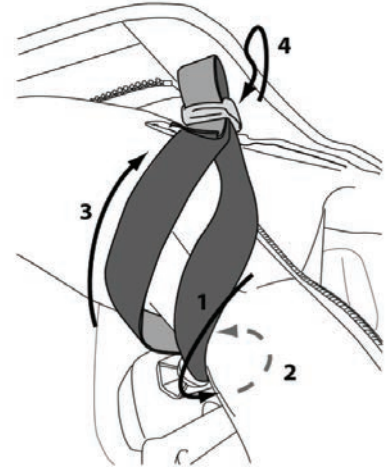
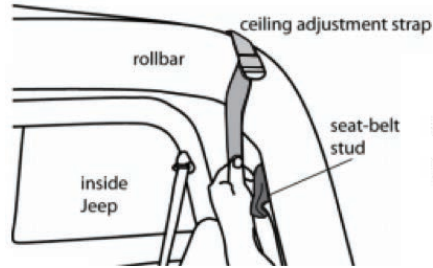
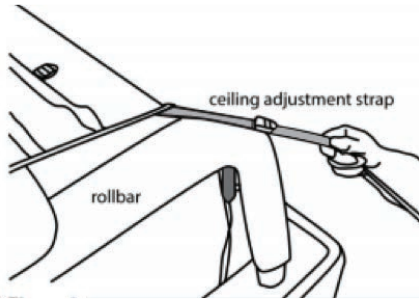
30

# Installation Steps

NOTE: Actual application may vary slightly from illustrations.

**4-Door Model ONLY** Locate the ceiling adjustment straps at the corners of the ceiling panel. Wrap the straps around the roll bar and seatbelt stud toward the inside of the Jeep, then back up to the strap adjustment buckle.

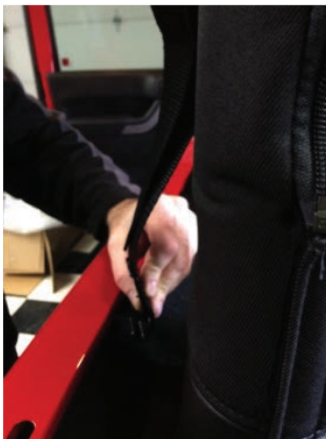
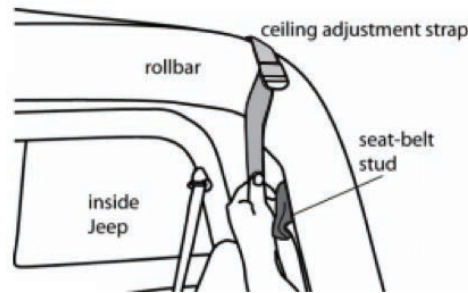
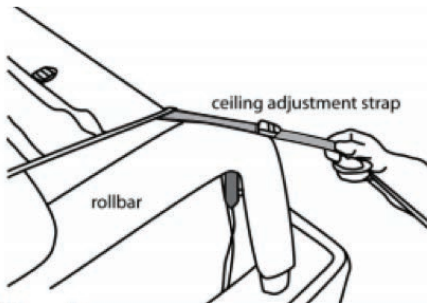
Tighten and repeat for the passenger side. Adjust each side to position the top evenly. See diagram below:



31

**2-Door Model ONLY** Locate the ceiling adjustment straps at the corners of the ceiling panel. Wrap the straps around the roll bar and tub top rail toward the inside of the Jeep, then hook the strap adjust buckle.

Tighten and repeat for the passenger side. Adjust each side to position the top evenly. See diagram below:

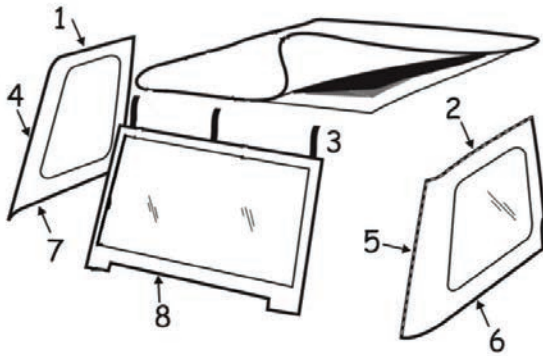


32

## Installation Steps

NOTE: Actual application may vary slightly from illustrations.

Secure the side windows to the main cover fabric by zipping into place. Repeat for the rear window. See the diagram below for the proper installation sequence:



### Panel/Zipper installation order:

- 1, 2 - Zippers to main skin
- 3 - Rear panel straps (x3) loose
- 4, 5 - Side panels to rear window
- 6, 7 - Plastic strip into body channel
- 8 - Tailgate bar



33

Insert the side-rear-quarter black plastic piece into the fabric sleeve-pocket located inside your rear window pieces.



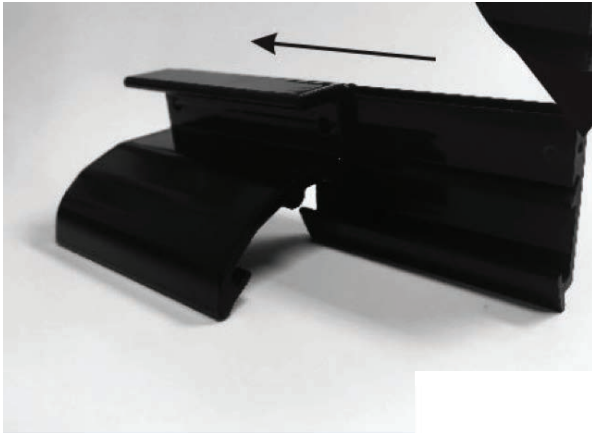
34



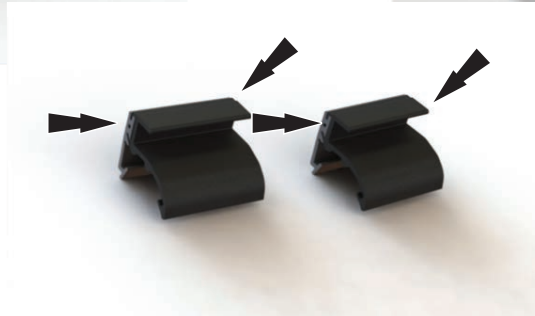
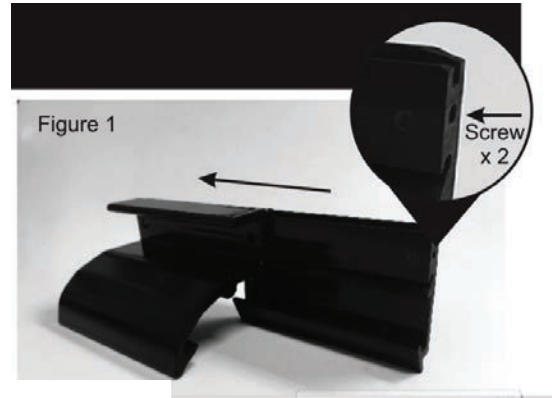
# Installation Steps

NOTE: Actual application may vary slightly from illustrations.

Assemble the brackets by sliding the plastic backing onto the metal extrusion.

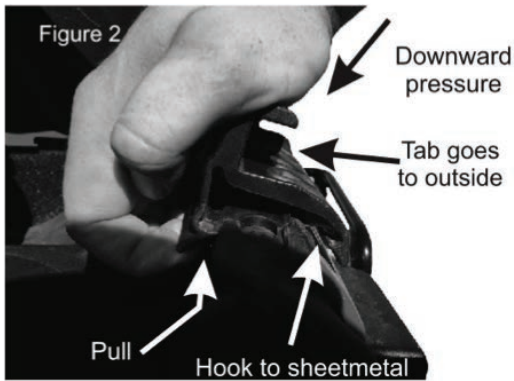


Secure with two screws in each bracket using pre-drilled holes.

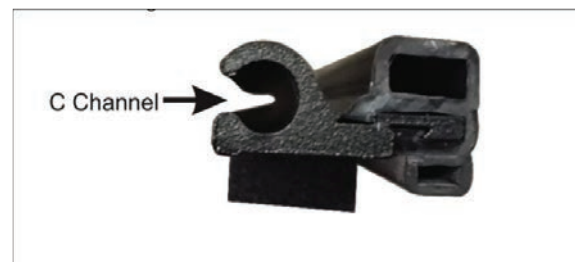


35

Install the Tailgate Bar brackets by hooking the front edge over the belt rail sheet metal. Close the clamp with downward pressure while pulling the backing tight. The clamp will pop and lock onto the underside of the tube edge.



Slide the tailgate bar onto the bottom of the rear window, using the built-in C-channel to guide it over the the flap and small tube.



36

## Installation Steps

NOTE: Actual application may vary slightly from illustrations.

Insert the fiberglass anti-puddle poles into the built-in pockets at the rear-ceiling of the top. Flex the poles for a secure fit.



37

Fit the rubber gasket onto the top of the tailgate. Push the gasket down over the top edge of the tailgate to seal tightly. See photo below for proper orientation:

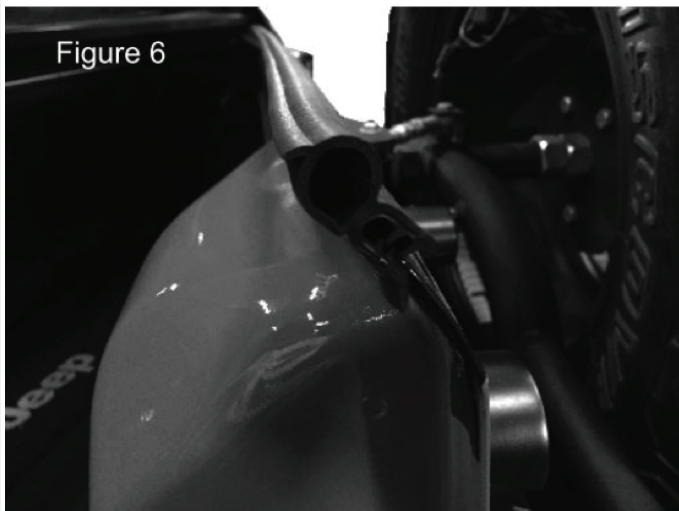


Figure 6

Zip the rear window closed. Insert the Tailgate Bar into the brackets by pushing the bar against the brackets and rotating it towards your body.



38

39

## Installation Steps

NOTE: Actual application may vary slightly from illustrations.

Attach the main deck belt rail plastic into the upper door surround from front to back. Start at the windshield header.



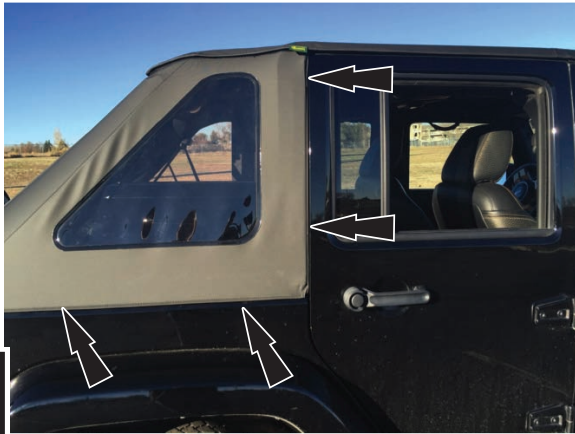
40

Tip: Make sure rear panel zippers are lined up on both sides.



41

Secure the belt rail plastic of the side windows from front to back, starting on the back top of the door surrounds. Hook the belt rail plastic to the back section of the door surround.



42

Continue fastening the plastic under the belt rail lip of the Jeep body until the top is fully attached all around the back corners.



43

## Care and Cleaning

- Wash only with mild soap & dry with a clean cloth.
- Do not use cleaning solvents of any kind.

## Congratulations!

Your new TrailView Soft Top™ is installed! Now go enjoy the ride.

Thank you for purchasing one of the many quality Rampage® products offered by Lund International, Inc. We take the ultimate pride in our products and hope you receive years of satisfaction from your investment. We have made every effort to guarantee that your product is of the highest quality for fit, durability, finish, and ease of installation.

