



Ford F-150 Curved Light Bar Roof Bracket Kit 2140

09-14 Ford F-150 50" Curved Light Bar Roof Bracket Installation Instructions

KIT CONTENTS:	
Description	Qty.
Light Bar Driver Side Bracket	1
Light Bar Passenger Side Bracket	1
96" 16AWG Red Wire	1
16AWG Butt Splice	2
Black Rubber Grommet	2
1/4" Hex Nut	1
#10 Flat Washer	2
#10-32 x 1" Hardened Steel Bolt	1
SS #10-32 5/8" Pan Head Screw	4
#10-32 x 0.585" Steel Rivet Nut	4
Zip Tie	10

Tools Needed:

- 7mm Sockets
- Philips & Flat Head Screwdriver
- Center Punch
- 1/8", 1/4", 19/64", 3/4" High Quality Hardened Drill Bits
- 7/16" Wrench
- 1/8", 5/32" Hex Bit
- Electrical Tape
- Marker

Recommend installing 10050W Wind Noise Canceling Molding on 50" Light Bar before installing

Mounting Bracket Installation

1. Remove bracket kit from packaging. Check to see if all parts from above kit contents table are included.
2. Remove driver pillar trim, from inside cab, by pulling straight out. If pillar trim has handle, use 7mm socket to remove two bolts before pulling trim off.
3. Remove driver sun visor from inside cab. Use Philips screwdriver bit to remove 2 bolts on each.
4. Open driver and passenger door; pull down upper rubber door seal.
5. Place tape where bracket will be mounted and mark drill holes with a marker. See **Figure 1** for bracket location.
6. Center punch each hole, drill **19/64"** hole for rivet nuts to be inserted into. If holes are bigger than **19/64"**, the rivet nut will not install correctly. (**Recommend using new high quality hardened**

drill bits and starting with a 1/8" bit followed by a 1/4" bit and finally a 19/64" drill bit to drill holes)

7. Place a #10 flat washer, hex nut, another #10 flat washer and rivet nut on black hardened steel bolt, shown in **Figure 2**, and place in drilled hole. Use a 7/16" wrench to hold hex nut and 5/32" hex bit to turn the hardened steel bolt until rivet nut is tightened down. **(Do not install with drill, use hand tools only)**. Remove hardened steel bolt, flat washers and hex nut. Repeat in all four holes.
8. Mount brackets with pan head screws. Use 1/8" hex bit to tighten down screws. **(Recommend sealing rivet nut areas up with RTV Silicone and using thread locker for bracket screws)**
9. Mount 50" light bar between brackets. Refer to light bar instruction for installation.

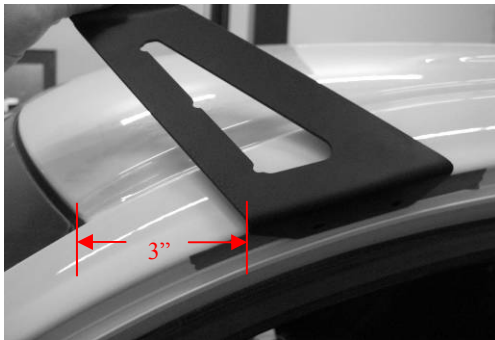


Figure 1

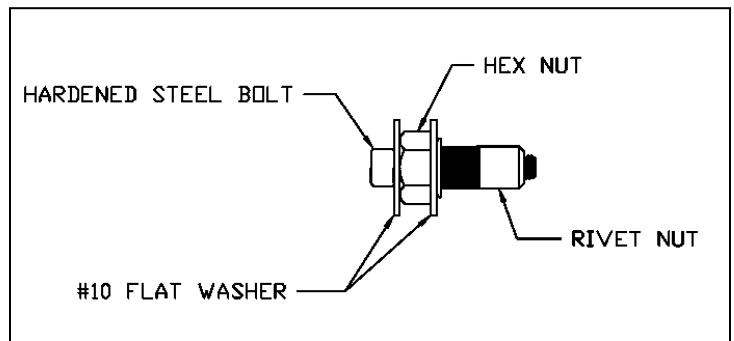


Figure 2

Wiring Installation

1. Drill 3/8" hole through fire wall; verify that opposite side of fire wall is clear of obstructions. Insert grommet into hole.
2. On the wiring harness, remove black plastic sleeve covering the red and black power wires between the relay and the fuse holder
3. Cut red power cable behind fuse holder, be sure to leave enough wire to wire this piece back into the harness
4. Insert the red power cable through the grommet that was installed in step 1. Leave the rest of the wiring harness by foot pedals in cab of truck for now. Bring red power cable up into engine bay.
5. Route red power wire to battery. Strip red power wire on harness and add the supplied red wire from kit using butt splice, trim other end to length. Strip and add back on red power wire and fuse holder (cut off in step 4) to other end of wire using the supplied butt splice. **(Recommend using electrical tape to tape around butt splices after being installed)**

6. Remove dash panel under steering wheel, use **7mm** socket to remove 3 screws. Pull straight back.
7. Attach black ground wire to location shown in **Figure 3**.
8. Run Deutsch connector (on wiring harness) up through the dash and out by the driver side A pillar.
9. Drill **3/8"** hole through roof in location desired. Insert grommet into hole. **(Recommend sealing grommet areas up with RTV Silicone after wiring is installed and verified)**
10. To get wire through roof, one of the Deutsch connectors will need to be depinned so the wiring can run through the grommet, depending on where you would like the Deutsch connector to plug in at. To depin Deutsch connector, remove green or orange plastic end clip and use small flat screwdriver to unclip pins while pulling gently on wiring. When reassembling, verify corresponding wires match opposite Deutsch connector before repining. (Other option is to cut Deutsch connects off and butt splice corresponding wires together)
11. Drill **3/4"** hole and notch (as explained in light bar instructions) in desired location for the supplied switch. **(Recommended location is on dash panel by E-brake release lever)**
12. Attach wire to switch and install as stated in the light bar instructions.
13. Attach red positive wire to battery; verify that the light bar turns on.
14. Mount relay, use zip ties to secure wiring.
15. Reassemble inside and outside of truck, ENJOY!!!!



Figure 3