



## PRO COMP SUSPENSION

---

*Suspension Systems that Work!*

**Part # 52104  
2004 4WD Ford F-150  
Skid Plate**

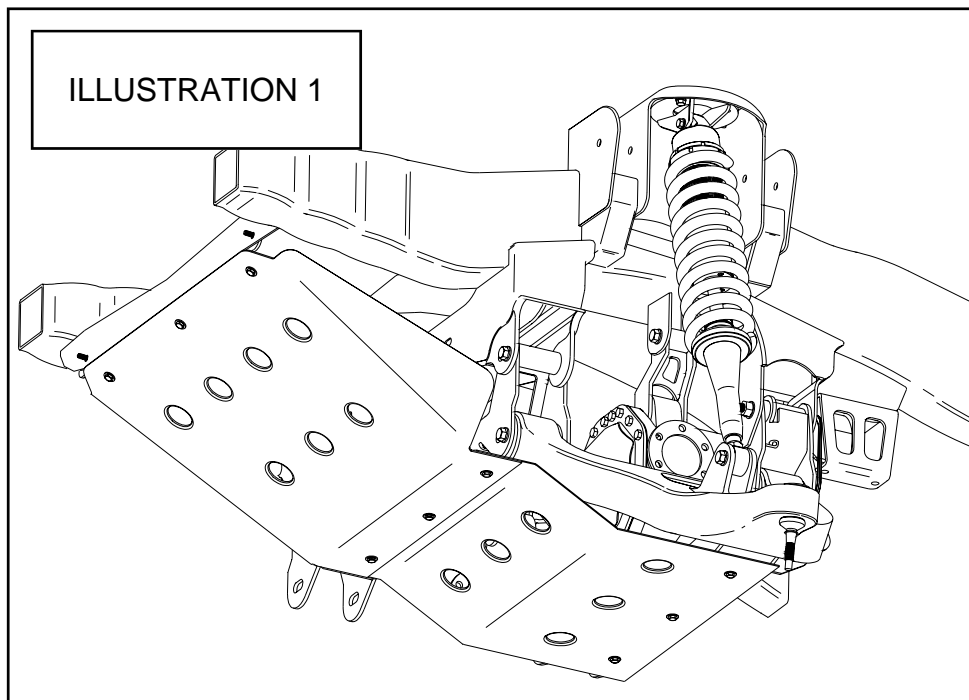
This document contains very important information that includes warranty information and instructions for resolving problems you may encounter. Please keep it in the vehicle as a permanent record.

| <u>Part #</u> | <u>Description</u>               | <u>Qty</u> | <u>Illus.</u> | <u>Page</u> |
|---------------|----------------------------------|------------|---------------|-------------|
| 90-3034       | FRONT SKID PLATE                 | 1          |               |             |
| 90-3035       | INTERMEDIATE SKID PLATE          | 1          |               |             |
| 90-3036       | MOUNTING BAR                     | 1          |               |             |
| 90-6335       | HARDWARE PACK :                  | 1          |               |             |
| 37C150KBCS    | 3/8"- 16 X 1.5" stainless button | 9          |               |             |
| 37NWSCS       | 3/8" stainless steel washers     | 9          |               |             |
| 37NLOCS       | 3/8" lock washers stainless      | 9          |               |             |

**Optional Equipment Available from your Pro Comp Distributor!**

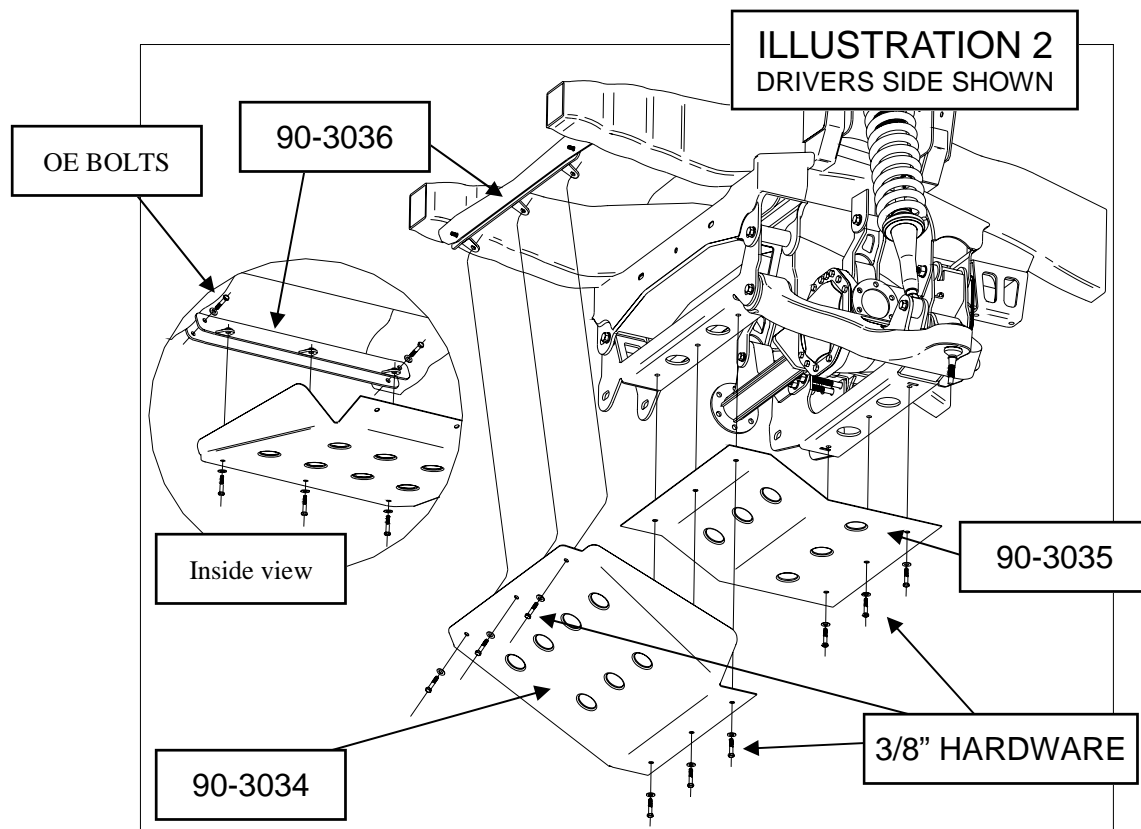
Traction Bars (Xtra cab) Mounting kit: 72095, Bars: 72500  
MX6 Rear shocks  
Coil over front shocks

Also, check out our outstanding selection of Pro Comp tires  
compliment your new installation!



## Introduction:

- ◆ This installation requires a professional mechanic!
- ◆ We recommend that you have access to a factory service manual for your vehicle to assist in the disassembly and reassembly of your vehicle. It contains a wealth of detailed information.
- ◆ Ensure that your work space is of adequate size and the work surface is level. Place the vehicle in Neutral. Place your floor jack under the front cross member and raise vehicle. Place jack stands under the frame rails behind the front wheel wells and lower the frame onto the stands. Remove the jack and place vehicle back in gear, set the emergency brake, and place blocks both in front and behind the rear wheels.
- ◆ Read the instructions carefully and study the illustrations before attempting installation! You may save yourself a lot of extra work.
- ◆ Check the parts and hardware against the parts list to assure that your kit is complete. Separating parts according to the areas where they will be used and placing the hardware with the brackets before you begin will save installation time.
- ◆ Check the special equipment list and ensure the availability of these tools.
- ◆ Secure and properly block vehicle prior to beginning installation.
- ◆ ALWAYS wear safety glasses when using power tools or working under the vehicle!
- ◆ Use caution when cutting is required under the vehicle. The factory undercoating is flammable. Take appropriate precautions. Have a fire extinguisher close at hand.
- ◆ Foot pound torque readings are listed on the Torque Specifications chart at the end of the instructions. These are to be used unless specifically directed otherwise. Apply thread retaining compound where specified.
- ◆ *Please note that while every effort is made to ensure that the installation of your Pro Comp lift kit is a positive experience, variations in construction and assembly in the vehicle manufacturing process will virtually ensure that some parts may seem difficult to install. Additionally, the current trend in manufacturing of vehicles results in a frame that is highly flexible and may shift slightly on disassembly prior to installation. The use of pry bars and tapered punches for alignment is considered normal and usually does not indicate a faulty product. However, if you are uncertain about some aspect of the installation process, please feel free to call our tech support department at the number listed on the cover page. We do not recommend that you modify the Pro Comp parts in any way as this will void any warranty expressed or implied by the Pro Comp Suspension company.*
- ◆ Check the parts and hardware against the parts list to assure that your kit is complete.
- ◆ Always use new cotter pins (these items are not supplied) when replacing them.



### Installation Instructions:

1. Position vehicle on a smooth, flat, hard surface (i.e. concrete or asphalt).
2. Block rear tires and set parking brake.
3. Removing the 2 OE bolts in the front of the frame as shown in illustration 2. Install the 90-3036 mounting bar with two OE bolts. NOTE: The tabs will be on the bottom facing towards the back of the truck.
4. Install the intermediate skid plate 90-3035 with the 3/8" hardware into the new Pro Comp rear cross member, do not torque. Install and leave the front bolts loose until you install the front plate.
5. Raise up the front skid plate 90-3034.
6. Take out the bolts in the front of the intermediate skid plate and the front cross member.
7. Install the front skid plate and the intermediate skid plate to the front cross member. See illustration 2.
8. Use the three remaining button head bolts to secure the front of the skid plate to the tabs on the previously installed mount 90-3036.
9. Torque all hardware to 30 ft. lbs.
10. Re-check and re-torque all hardware after 100 miles.

Use this only as a guide for hardware without a called out torque specification in the instruction manual.

| <b>Bolt Torque and ID</b>        |         |         |                      |           |            |            |
|----------------------------------|---------|---------|----------------------|-----------|------------|------------|
| <b>Decimal System</b>            |         |         | <b>Metric System</b> |           |            |            |
| All Torques in Ft. Lbs. Maximums |         |         |                      |           |            |            |
| Bolt Size                        | Grade 5 | Grade 8 | Bolt Size            | Class 9.8 | Class 10.9 | Class 12.9 |
| 5/16                             | 15      | 20      | M6                   | 5         | 9          | 12         |
| 3/8                              | 30      | 45      | M8                   | 18        | 23         | 27         |
| 7/16                             | 45      | 60      | M10                  | 32        | 45         | 50         |
| 1/2                              | 65      | 90      | M12                  | 55        | 75         | 90         |
| 9/16                             | 95      | 130     | M14                  | 85        | 120        | 145        |
| 5/8                              | 135     | 175     | M16                  | 130       | 165        | 210        |
| 3/4                              | 185     | 280     | M18                  | 170       | 240        | 290        |

1/2-13x1.75 HHCS      Grade 5      Grade 8  
(No. of Marks + 2)

D   T   L   X

G = Grade (Bolt Strength)  
D = Nominal Diameter (Inches)  
T = Thread Count (Threads per Inch)  
L = Length (Inches)  
X = Description (Hex Head Cap Screw)

M12-1.25x50 HHCS

D   T   L   X

P = Property Class (Bolt Strength)  
D = Nominal Diameter (Millimeters)  
T = Thread Pitch (Thread Width, mm)  
L = Length (Millimeters)  
X = Description (Hex Head Cap Screw)

**Notice to Owner operator, Dealer and Installer:**

Vehicles that have been enhanced for off-road performance often have unique handling characteristics due to the higher center of gravity and larger tires. This vehicle may handle, react and stop differently than many passenger cars or unmodified vehicles, both on and off-road. You must drive your vehicle safely! Extreme care should always be taken to prevent vehicle rollover or loss of control, which can result in serious injury or even death. Always avoid sudden sharp turns or abrupt maneuvers and allow more time and distance for braking! Pro Comp reminds you to fasten your seat belts at all times and reduce speed! We will gladly answer any questions concerning the design, function, maintenance and correct use of our products.

**Please make sure your Dealer/Installer explains and delivers all warning notices, warranty forms and instruction sheets included with Pro Comp product.**

Application listings in this catalog have been carefully fit checked for each model and year denoted. However, Pro Comp reserves the right to update as necessary, without notice, and will not be held responsible for misprints, changes or variations made by vehicle manufacturers. Please call when in question regarding new model year, vehicles not listed by specific body or chassis styles or vehicles not originally distributed in the USA.

**Please note that certain mechanical aspects of any suspension lift product may accelerate ordinary wear of original equipment components.** Further, installation of certain Pro Comp products may void the vehicle's factory warranty as it pertains to certain covered parts; it is the consumer's responsibility to check with their local dealer for warranty coverage before installation of the lift.