

# THE BANDIT

## LED OFFROAD SPOTLIGHT

A ruggedized high output LED spotlight with efficient power consumption and full sized mounting solution

PlasmaGlow  
Part # 11160 - Main



### Key Features:

- 9 High Output LED Elements
- 100% Waterproof IP68 Rating
- Shockproof Aluminum Body
- High Impact Lexan Lens
- Integrated Heat Solution
- Fully Adjustable Mounting Bracket

### Technical Specifications:

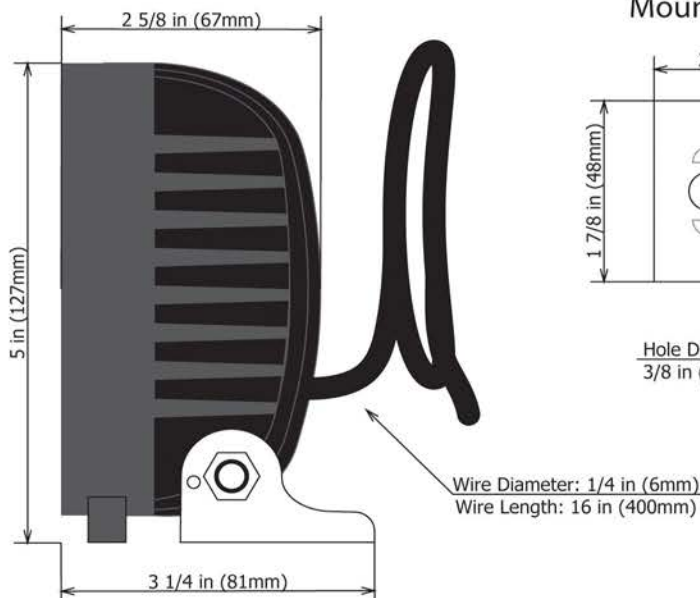
- LED Spec:** QTY 9 Cree LEDs
- Operating Voltage:** 10 VDC to 30 VDC
- Amp Draw:** 2.25A @ 12VDC
- Wattage:** Draws 27 Watts
- LED Life:** 50,000 Duty Hours
- Total Output:** 3,000 Lumens
- Case:** Aluminum
- Weight:** 1.8 lb (0.8 kg)

### Dimensions:

Front View



Profile View



Underside of Mounting Bracket

