

HIGH EFFICIENCY SUBWOOFER

Be sure to read this instruction manual before installing this speaker.

⚠ WARNING

The sealed enclosure series subwoofers are capable of reproducing music at extremely loud levels. Caution should be exercised to prevent permanent hearing loss. Additionally, driving with the system at high volume levels could impair your ability to hear emergency vehicles.

⚠ WARNING

The Safety of Your Ears is in Your Hands

Get the most out of your equipment by playing it at a safe level - a level that lets the sound come through clearly without annoying blaring or distortion and, most importantly, without affecting your sensitive hearing. Sound can be deceiving. Over time, your hearing "comfort level" adapts to higher volumes of sound, so what sounds "normal" can actually be loud and harmful to your hearing. Guard against this by setting your equipment at a safe level BEFORE your hearing adapts.

⚠ WARNING

Handling the cord on this product or cords associated with accessories sold with the product may expose you to chemicals listed on proposition 65 known to the State of California and other governmental entities to cause cancer and birth defect or other reproductive harm.

Wash hands after handling.

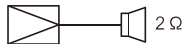
⚠ CAUTION

- To prevent damage to your speakers please observe the following caution.
- At high volume levels if the music sounds distorted or additional sounds are perceived lower the volume.
- Since this speaker is continuously used being turned on full blast, temperature of the magnetic circuit rises, avoid touching it directly by hand and placing something near it. If it is heated, it may cause a burn, deformation of or damage to peripheral things.
- PIONEER recommends that this speaker be used in conjunction with amplifiers whose continuous (RMS) output is lower than the nominal input power of this speaker.
- Never connect only one voice coil of this Dual Voice Coil (DVC) speaker.
- Both voice coils must be connected to the amplifier for correct operation.
- If this product is used in free-air conditions (without an enclosure), insufficient damping causes the sound without accuracy and reduces the power handling capability to 1/4 of its usual levels. It may result in permanent damage to the product.

● FEATURES

- HIGH SENSITIVITY AND HIGH POWER HANDLING DESIGN** : produces high sound pressure level and ensures durability for "Open Show Style" use.
- LIGHT WEIGHT YET RIGID PULP CONE WITH CORRUGATION SURROUND** : makes fast response to reproduce impactful bass dynamically.
- ALUMINUM DIE-CAST BASKET** : eliminates unnecessary resonances that influences the tonal quality at high volume.
- LARGE MAGNET AND HIGH POWER MOTOR ASSEMBLY** : creates punchy, powerful and more controlled bass response.
- DUAL VOICE COIL** : improves the flexibility of wiring at 2 ohms or 8 ohms for the optimum amplifier connection.

● DVC (DUAL VOICE COIL) CONNECTION

Connection	Speaker wiring	Advantage
4 Ω Bridged mono 4 Ω M 	8 Ω or 2 Ω Wiring	Good for higher sensitivity
2 Ω Stereo 	2 Ω Wiring	Good for higher sensitivity Good for channel separation
2 Ω Bridged mono 	2 Ω Wiring	Good for higher sensitivity Notice : Verify that your amplifier can operate in 2 Ω mono configuration.

⚠ CAUTION : Never connect only one voice coil of this Dual Voice Coil (DVC) speaker Both voice coils must be connected to the amplifier for correct operation

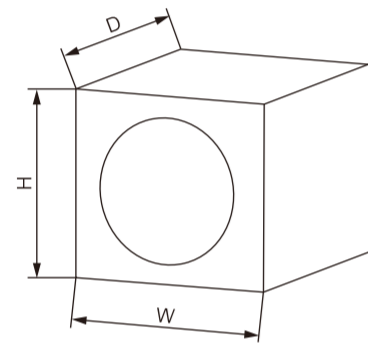
● SPECIFICATIONS

Size	Nominal power	Max.music power	Nominal impedance	Sensitivity	Frequency response	Magnet weight	Displacement	Revc (Ω)	Levc (mH)	Fs (Hz)	Qms	Qes	Qts	Vas (cu.ft) (liters)	Rms (N.S/m)	Mms (g)	Cms (m/N)	Diam (inch) (mm)	BL (T.m)	Xmax (inch) (mm)
30 cm (12")	450 W	1500 W	Dual 4 Ω	105 dB ± 1.5 dB (in car. input : 1 W)	20 Hz To 500 Hz (-20 dB in car. input : 1 W)	2 200 g (80 oz)	0,088 cu.ft 2.5 liters	dual 3.5	3.71 (8 Ω) 0.97 (2 Ω)	40	10.7	0.39	0.38	1.61 45.6	3.23	135	1.13 × 10 ⁻⁴	10.3 260	25.0 (8 Ω) 12.6 (2 Ω)	0.24 6.1

● RECOMMENDED ENCLOSURE DIMENSIONS

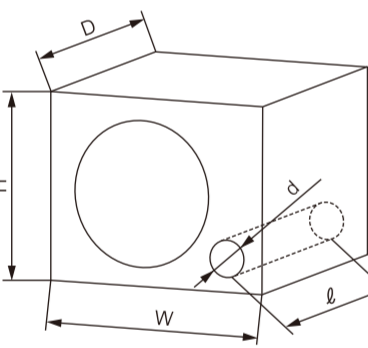
※ W, W1, W2, D, H : External Dimensions
PIONEER recommends the speaker enclosure be manufactured with 3/4" (19 mm) MDF particle board.

■ Sealed



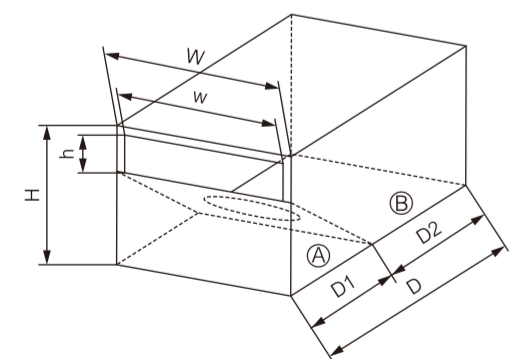
W	H	D	Volume
396 mm (15-5/8")	396 mm (15-5/8")	314 mm (12-3/8")	1.25 cu.ft (35.4 liters)

■ Ported



W	H	D	d × l	Volume
461 mm (18-1/8")	373 mm (14-5/8")	338 mm (13-1/4")	φ 76 mm (3" Dia.) × 178 mm (7")	1.5 cu.ft (42.5 liters)

■ Bandpass



Frequency	W	H	D	w × h	Volume
60 Hz	571 mm (22-1/2")	398 mm (15-5/8")	654 mm (25-3/4")	533 mm (21") × 60 mm (2-3/8")	Ⓐ 0.56 cu.ft (16.0 liters) Ⓑ 3.5 cu.ft (98.0 liters)
80 Hz	438 mm (17-1/4")	488 mm (19-1/4")	638 mm (25")	400 mm (15-3/4") × 150 mm (5-7/8")	Ⓐ 0.56 cu.ft (16.0 liters) Ⓑ 3.1 cu.ft (88.0 liters)
100 Hz	438 mm (17-1/4")	581 mm (22-7/8")	487 mm (19-1/8")	400 mm (15-3/4") × 243 mm (9-1/2")	Ⓐ 0.56 cu.ft (16.0 liters) Ⓑ 2.8 cu.ft (78.0 liters)

● TEMPLATE

