

CREATE YOUR OWN TRAIL
WITH PARAMOUNT OFFROAD!





New!

Truck LED Light Bar Brackets

Combining its industry leading design with impeccable craftsmanship, Paramount has created the Evolution LED Light Bar Brackets. Designed with a vision of the future of the offroad industry, the Evolution LED Light Bar Brackets are the perfect complement to your Evolution 50" Light Bar, providing a stylish and high-functioning addition to your vehicle.

Company Introduction

In 2008 Paramount Restyling was born from a group of automotive enthusiasts who shared a combined vision to supply their customers with the high quality, great looking automotive products that they were looking for and at a price they could afford. In just 5 short years, Paramount has grown from being known as a grille supplier to a complete Automotive Products Manufacturer whose products also include Injection Molded ABS Plastic Trim Parts, Heavy Duty Steel Bumpers for Jeeps and Full-Size Trucks, Tubular Steel Products like Construction Racks and Jeep Racks, LED Off-Road Lights and Machine-Sewn Soft Goods for the Jeep Accessory Market.

In 2013 Paramount Restyling has become Paramount Automotive and like always has continued to design, manufacture, and distribute the same high quality products that you have become accustomed to, only we have now done it under the following three brands:

- Paramount Restyling - Brand name for our full line of Grilles and ABS Trim Products
- Paramount Off-Road - Brand name for our ever-growing Jeep and Off-Road products as well as our line of Heavy Duty Full Size Winch Bumpers
- Paramount Workforce - Brand that encompasses our workforce product line and features products such as Heavy Duty Construction Racks, Ladder Racks, Hitch Racks, and other various Accessories.

In 2013 we've also expanded our Ontario, California distribution center to over 100,000 square feet, and we've also built two new 40,000 square foot manufacturing facilities to accommodate our ever-expanding research, design, and production needs and allow us to produce even more new and innovative products than ever before. Welcome to the future. Welcome to Paramount Automotive.



FEATURES

- Manufactured from durable 3/16 cooled roll steel sheet
- Flow with vehicles body contours
- Tiger textured black powder coat for corrosion protection and durability
- Easy Installation
- Drilling required
- 3 year limited manufacture warranty



PART #	YEAR	MAKE	MODEL
54-1001	14-15	Chevy	Silverado, ALL
54-1002	07-13	Chevy	Silverado, ALL
54-1003	99-06	Chevy	Silverado, ALL
54-2001	09-12	Dodge	Ram 1500
54-2002	06-08	Dodge	Ram 1500
54-2003	02-05	Dodge	Ram 1500
54-2004	10-13	Dodge	Ram 2500/3500
54-2005	08-09	Dodge	Ram 2500/3500
54-2006	03-05	Dodge	Ram 2500/3500
54-3001	09-13	Ford	F-150, ALL
54-3002	04-08	Ford	F-150, ALL
54-3003	09-13	Ford	F-150 Raptor
54-3004	11-13	Ford	Superduty F-250/350
54-3005	08-10	Ford	Superduty F-250/350
54-3005	05-07	Ford	Superduty F-250/350
54-3007	99-13	Ford	Superduty F-250/350
54-3008	TBA	Ford	Ranger - ALL
54-4001	04-13	Nissan	Titan
54-5001	07-13	Toyota	FJ Cruiser
54-5002	12-13	Toyota	Tacoma
54-5003	05-11	Toyota	Tacoma
54-5004	14-15	Toyota	Tundra, ALL
54-5005	07-13	Toyota	Tundra, ALL



97-14 Jeep Wrangler LED Light Brackets **New!**

While Paramount Off-road is unceasing in its efforts to provide high-end designs, it is also relentless in its quest in satisfying functionality needs. With these two ideas in mind, Paramount has developed the LED Light and Light Bracket series. Specifically designed for Jeeps, these lights have been created for the sole purpose of taking a beating off the roads where anything can happen. No longer will you feel uneasy about taking your Jeep into the deep dark night.

New! LED Lights

What happens when the sun goes down and you're exploring terrains unknown? You bring the sun with you. Paramount Off-road's LED Lights will give you the power of the sun in almost any shape and size currently possible for your Jeep. From individually bracket mounted LED lights to bar lights that extend across the entire width of your Jeep, Paramount Off-road has just what you need so you won't ever get lost in the dark.



Self Lock Adjustable Tab

51-0462



Extra Features for 51-0462:

- Installs easily with factory hardware
- Allows for numerous light mounting combinations
- Includes 8 universal Self Locking mounting tabs



Combination 1



Combination 2



Combination 3



Combination 4



54-3011



54-3012

PART #	YEAR	MAKE	MODEL
54-3011	09-14	Ford	F150 All
54-3012	09-14	Ford	F150 All

FEATURES

- Manufactured from durable 5/32 cold roll steel sheet
- Brackets are for various locations
- Can mount traditional or LED lights
- No Drilling required
- Tiger textured black powder coat for corrosion protection and durability
- 3 year limited manufacture warranty

PART #	YEAR	BUMPER
51-0451	07-14	JK 50" LED Light Bar Mount Kit
51-0452	97-06	TJ/YJ 50" LED Light Bar Mount Kit
51-0453	07-14	JK Windshield Light Mount Brackets
51-0454	87-06	TJ/YJ Windshield Light Mount Brackets
51-0462	07-14	JK Universal Lights Mounting Kit
51-0463	97-06	TJ/YJ Universal Light Bracket
51-0464	07-14	JK Hood 20" LED light bar bracket



51-0454



51-0453



51-0464



51-0452



51-0451



Part# 71-9918



Part# 71-9917



Part# 71-9916



Part# 71-9915



Part# 71-9914



Part# 71-9909



Part# 71-9907

Part# 71-9911

Part# 71-9913

Part# 71-9908

Part# 71-9912

PART #	TYPE	POWER	IP GRADE	LUMINOUS FLUX
71-9907	Spot Beam	12W	IP68	1200LM
71-9908	Flood Beam	12W	IP68	1200LM
71-9909	Spot Beam	36W	IP68	3600LM
71-9910	Flood Beam	36W	IP68	3600LM
71-9911	Spot Beam	18W	IP68	1800LM
71-9912	Spot Beam	15W	IP68	1500LM
71-9913	Spot Beam	36W	IP68	3600LM
71-9914	Spot Beam	72W	IP68	7200LM
71-9915	Spot Beam	120W	IP68	12000LM
71-9916	Combination Beam	180W	IP68	18000LM
71-9917	Combination Beam	240W	IP68	24000LM
71-9918	Combination Beam	300W	IP68	30000LM



Evolution LED Grilles **New!**

Paramount Automotives New Evolution LED Grilles were designed for truck owners looking to elevate the appearance of their truck and tackle nighttime trailing with the addition of Hi-Powered LED Technology. Our Evolution LED Grille only options allows for the use of Paramount Off-Road LED's or any other compatible LED of your choice. Grille designs can include up to 3 LED lights and come with multiple mounting points to help install your lights.

Match your LED Grille with a pair of Paramount Off-Road LED Cab Brackets and 50" LED Bar for the Ultimate in nighttime adventures!

FEATURES

- Grilles are built from 100% Stainless Steel
- Fully formed woven mesh adds depth
- Chrome ABS Perimeter studs/rivets
- LED lights sold separately
- LED mounts accommodates most competitors LED's lights
- Semi Flat Black textured Powder Coat finish
- 3 Year Warranty on Material & Finish



13 1/2 x 3 1/2



3 1/4 x 3 1/2



PR#	YEAR	MAKE	MODEL	DESC
46-0908	07-10	Chevy	Silverado HD/2500/3500	07-10 Chevy Silverado 2500/3500 Evolution Black Stainless Steel Wire Mesh Replacement Grille For LED Light
46-0930	11-14	Chevy	Silverado HD/2500/3500	11-14 Chevy Silverado HD Evolution Black Stainless Steel Wire Mesh Replacement Grille For LED Light
46-0919	02-05	Dodge	Ram 1500	02-05 Dodge Ram Evolution Black Stainless Steel Wire Mesh Grille For LED Light
46-0918	06-08	Dodge	Ram 1500	06-08 Dodge Ram Evolution Black Stainless Steel Wire Mesh Grille For LED Light
46-0917	09-12	Dodge	Ram 1500	09-12 Dodge Ram 1500 Evolution Black Stainless Steel Wire Mesh Grille For LED Light
46-0960	13-14	Dodge	Ram 1500	13-14 Dodge Ram 1500 1PC Cutout Evolution Black Stainless Steel Wire Mesh Grille For LED Light
46-0929	10-14	Dodge	Ram 2500/3500	10-14 Dodge Ram 2500/3500 Evolution Black Stainless Steel Wire Mesh Grille For LED Light
46-0924	04-08	Ford	F150	04-08 Ford F150 Evolution Black Stainless Steel Wire Mesh Grille For LED Light
46-0902	09-14	Ford	F150	09-14 Ford F150 Evolution Black Stainless Steel Wire Mesh Grille For LED Light
46-0944	09-14	Ford	F150	09-14 Ford F150 Bumper Evolution Black Stainless Steel Wire Mesh Grille For LED Light
46-0904	05-07	Ford	Superduty/F250/F350	05-07 Ford F250/350 Superduty Evolution Black Stainless Steel Wire Mesh Grille For LED Light
46-0903	08-10	Ford	Superduty/F250/F350	08-10 Ford F250/350 Superduty Evolution Black Stainless Steel Wire Mesh Grille For LED Light
46-0901	11-14	Ford	Superduty/F250/F350	11-14 Ford F250/350 Superduty Evolution Black Stainless Steel Wire Mesh Grille For LED Light
46-0905	99-04	Ford	Superduty/F250/F350	99-04 Ford F250/350 Superduty Evolution Black Stainless Steel Wire Mesh Grille For LED Light
46-0912	07-13	GMC	Sierra 1500	07-13 GMC Sierra Evolution Black Stainless Steel Wire Mesh Grille For LED Light
46-0955	14-14	GMC	Sierra 1500	14-14 GMC Sierra 1500 1PC Cutout Evolution Black Stainless Steel Wire Mesh Grille For LED Light
46-0913	07-10	GMC	Sierra HD/2500/3500	07-10 GMC Sierra HD Evolution Black Stainless Steel Wire Mesh Grille For LED Light
46-0935	07-10	GMC	Sierra HD/2500/3500	07-10 GMC Sierra 2500/3500 Evolution Black Stainless Steel Overlay Wire Mesh Grille For LED Light
46-0934	11-14	GMC	Sierra HD/2500/3500	11-14 GMC Sierra 2500/3500 Evolution Black Stainless Steel Overlay Wire Mesh Grille For LED Light
46-0931	07-14	Jeep	Wrangler	07-14 Jeep Wrangler Evolution Black Stainless Steel Wire Mesh Grille For LED Light
46-0922	05-14	Toyota	Tacoma	05-11 Toyota Tacoma Evolution Black Stainless Steel Wire Mesh Grille For LED Light
46-0921	07-09	Toyota	Tundra	07-09 Toyota Tundra Evolution Black Stainless Steel Wire Mesh Grille For LED Light
46-0920	10-13	Toyota	Tundra	10-13 Toyota Tundra Evolution Black Stainless Steel Wire Mesh Grille For LED Light
46-0961	14-14	Toyota	Tundra	14-14 Toyota Tundra 1PC Cutout Evolution Black Stainless Steel Wire Mesh Grille For LED Light

Evolution LED Packaged Grilles

Paramount Automotives New Evolution Packaged LED Grilles carry the same industry leading features as our LED Grille only option but were packaged to include an OE Style All Black shell a complete LED Light bar kit preinstalled. Packaged grilles simply replace your shell, eliminating the need to cut into your factory grille shell.

Match your LED Grille with a pair of Paramount Off-Road LED Cab Brackets and 50" LED Bar for the Ultimate in nighttime adventures!

FEATURES

- Includes OE Style Shell in a Gloss Black Finish
- Includes LED Lighting – Up to 3 Bars
- Grilles are built from 100% Stainless Steel
- Fully formed woven mesh adds depth
- Chrome ABS Perimeter studs/rivets
- LED mounts accommodates most competitors LED's lights
- Semi Flat Black textured Powder Coat finish
- 3 Year Warranty on Material & Finish



PR#	YEAR	MAKE	MODEL	DESC
46-0802	07-13	Chevy	Silverado 1500	07-13 Chevy Silverado 1500 Evolution All Black Stainless Steel Wire Mesh Replacement Packaged Grille W/LED Light
46-0834	07-10	Chevy	Silverado HD/2500/3500	07-10 Chevy Silverado 2500/3500 Evolution All Black Stainless Steel Wire Mesh Packaged Grille W/LED Light
46-0835	11-14	Chevy	Silverado HD/2500/3500	11-14 Chevy Silverado 2500/3500 Evolution All Black Stainless Steel Wire Mesh Packaged Grille W/LED Light
46-0812	06-08	Dodge	Ram 1500	06-08 Dodge Ram Evolution All Black Stainless Steel Wire Mesh Packaged Grille W/LED Light
46-0829	09-12	Dodge	Ram 1500	09-12 Dodge Ram 1500 Evolution All Black Stainless Steel Wire Mesh Packaged Grille W/LED Light
46-0828	10-14	Dodge	Ram 2500/3500	10-14 Dodge Ram 2500/3500 Evolution All Black Stainless Steel Wire Mesh Packaged Grille W/LED Light
46-0807	04-08	Ford	F150	04-08 Ford F150 Evolution All Black Stainless Steel Wire Mesh Packaged Grille W/LED Light
46-0825	11-14	Ford	Superduty	11-14 Ford Super Duty Evolution All Black Stainless Steel Wire Mesh Packaged Grille W/LED Light
46-0804	05-07	Ford	Superduty/F250/F350	05-07 Ford Super Duty Evolution All Black Stainless Steel Wire Mesh Packaged Grille W/LED Light
46-0803	08-10	Ford	Superduty/F250/F350	08-10 Ford Super Duty Evolution All Black Stainless Steel Wire Mesh Packaged Grille W/LED Light
46-0824	09-14	Ford	Superduty/F250/F350	09-14 Ford F150 Evolution All Black Stainless Steel Wire Mesh Packaged Grille W/LED Light
46-0805	99-04	Ford	Superduty/F250/F350	99-04 Ford Super Duty Evolution All Black Stainless Steel Wire Mesh Packaged Grille W/LED Light
46-0832	07-13	GMC	Sierra 1500	07-13 GMC Sierra 1500 Evolution All Black Stainless Steel Wire Mesh Packaged Grille W/LED Light
46-0833	07-10	GMC	Sierra HD/2500/3500	07-10 GMC Sierra 2500/3500 Evolution All Black Stainless Steel Wire Mesh Packaged Grille W/LED Light
46-0842	10-13	GMC	Sierra HD/2500/3500	11-13 GMC Sierra 2500/3500 Evolution All Black Stainless Steel Wire Mesh Packaged Grille W/LED Light
46-0830	07-14	Jeep	Wrangler	07-14 Jeep Wrangler Evolution All Black Stainless Steel Wire Mesh Packaged Grille W/LED Light
46-0819	05-11	Toyota	Tacoma	05-11 Toyota Tacoma Evolution All Black Stainless Steel Wire Mesh Packaged Grille W/LED Light
46-0817	07-09	Toyota	Tundra	07-09 Toyota Tundra Evolution All Black Stainless Steel Wire Mesh Packaged Grille W/LED Light
46-0836	10-13	Toyota	Tundra	10-13 Toyota Tundra Evolution All Black Stainless Steel Wire Mesh Packaged Grille W/LED Light

Truck/JEEP Running Boards **New!**

Paramount's NEW Jeep and Truck Running Boards were created to add style and help protect your vehicle from everyday obstacles and install below the body to aid in entry of mild lifted vehicles. Boards are manufactured from 5/32 Mild Steel and Powder coated in a Black Textured finish for corrosion protection and durability. All boards carry a 1 year warranty against material and finish.

FEATURES

Evolution Running Board:

- 304 Stainless Steel Pads are perforated for maximum grip
- Mesh protects vehicles form debris

Raptor Running Board:

- Louvered flow through design
- Channeled for maximum strength

Oval Running Board:

- Dual Step Pads
- Non-Slip Durable pads are made from Hi-Grade Plastic



YEAR	MODEL	EVOLUTION BOARD	RAPTOR BOARD	OVAL BOARD	BRACKET
Chevy/GMC					
99-14	Silverado/Sierra Ext. Cab (including 01-08 HD)	52-0280	52-0380	52-0080	52-1010
01-14	Silverado/Sierra HD Crew Cab (4DR), 04-08 1500 Crew Cab	52-0286	52-0386	52-0086	52-1010
02-14	Avalanche	52-0286	52-0386	52-0086	52-1020
05-14	Tahoe/Yukon	52-0280	52-0380	52-0080	52-1020
05-14	Suburban/Yukon XL	52-0286	52-0386	52-0086	52-1020
Dodge					
02-08	Ram 1500 Quad Cab/03-09 Ram 2500/3500 Quad Cab	52-0280	52-0380	52-0080	52-2010
03-09	Ram 2500/3500 Quad Cab	52-0280	52-0380	52-0080	52-2010
09-on	Ram 1500 Quad Cab	52-0280	52-0380	52-0080	52-2020
10-on	Ram 2500/3500 Quad Cab	52-0286	52-0386	52-0086	52-2020
Ford					
99-14	Super Duty Super Cab - 4 DR	52-0280	52-0380	52-0080	52-3010
99-14	Super Duty Crew Cab - 4 DR /Excursion	52-0286	52-0386	52-0086	52-3010
97-03	F -150/250 LD Standard/Super Cab	52-0280	52-0380	52-0080	52-3030
01-03	F-150 Super Crew	52-0286	52-0386	52-0086	52-3030
04-14	F-150 Super Cab	52-0280	52-0380	52-0080	52-3020
04-14	F-150 Super Crew Cab	52-0286	52-0386	52-0086	52-3020
Toyota					
07-14	Tundra Double Cab, Access Cab	52-0280	52-0380	52-0080	52-4010
07-14	Tundra CrewMax	52-0286	52-0386	52-0086	52-4010
05-14	Tacoma Extended Cab (4DR)	52-0280	52-0380	52-0080	52-4020
05-14	Tacoma Quad (Double) Cab (4DR)	52-0286	52-0386	52-0086	52-4020
Jeep					
07-14	Jeep Wrangler	52-0280	52-0380	52-0080	52-5010
Nissan					
04-09	Titan King Cab	52-0270	52-0370	52-0070	52-6010
05-09	Frontier King Crew cab/Pathfinder(4 Door)	52-0280	52-0380	52-0080	52-6020

07-14 Jeep Wrangler JK Jamboree Rack

For those that hate to pack light on their offroad excursions, Paramount Offroad has the solution they were looking for: the Jamboree Rack. Engineered to have a near-indestructible frame and tall basket rails, you can rest easy knowing your cargo is secure. The Jamboree Rack is built with Paramount's renowned steel and finished with its signature powder coating, letting you know that this rack is built not only to work. It's also been designed to turn heads.

"With Paramount's innovative design assembly has never been easier."

FEATURES

- Manufactured from 2"x0.120 mild steel tube
- Easy installation
- Rear side installed on vehicle frame to increase rack strength
- 4 door model basket size: 78"X57"X5"
- 2 door model basket size: 55"X57"X5"
- Tiger textured black powder coat for corrosion and durability
- 3 Year Warranty on Material and finish

PART #	YEAR	APPLICATION
51-0324	07-14	Jamboree Rack (4 Door)
51-0336	07-14	Jamboree Rack (2 Door)



07-14 Jeep Wrangler Fenders **New!**

How do you protect your Jeep from all of that debris that's thrown up as you're carving your path through nature? With Paramount Off-road's Fender series. Coming in two styles of Standard and Armor, Paramount Off-road's Fenders provide high durability, high clearance for large tires, and low weight, giving your Jeep the freedom to roam the wild while avoiding any debris that could be thrown your way.

FEATURES

- Manufactured from durable 5/32 steel sheet and 1 1/2"X0.120" tube
- Tiger textured black powder coat for corrosion protection and durability
- 3 year limited manufacturer warranty

PART #	YEAR	BUMPER
51-0311	07-11	JK Rocker Guard
51-0312	07-14	JK Stubby Front Fender
51-0313	07-14	JK Stubby Rear Fender
51-0343	07-14	JK Armor Front Fender
51-0344	07-14	JK Armor Rear Fender



51-0311 Rocker Guard

Rubber Seal



51-0312 Stubby Front Fender

Rubber Seal

51-0313 Stubby Rear Fender



51-0343 Armor Front Fender

Rubber Seal



51-0344 Armor Rear Fender

Rubber Seal

New! 07-14 Jeep Wrangler Rock Sliders

When those standard running boards don't give you the protection you need from those relentless rocks, Paramount Off-road has got your back. Our line of Rock Sliders give your Jeep a thin yet indestructible layer of armor that will protect it from almost any impact you can imagine without cluttering your Jeep's side, giving your Jeep the protection it needs to withstand anything.

FEATURES

- Manufactured from durable 3/16 steel sheet or 2"X0.120" tube
- Tiger textured black powder coat for corrosion protection and durability
- 3 year limited manufacturer warranty

PART #	YEAR	SLIDER
51-0332	07-14	JK (4 Door) Rock Slider
51-0342	07-14	JK (2 Door) Rock Slider
51-0323	07-14	JK (4 Door) -Tube Rocker Slider
51-0349	07-14	JK (2 Door) -Tube Rocker Slider
51-0345	07-14	JK (4 Door) -Raptor Rocker Slider
51-0346	07-14	JK (2 Door) -Raptor Rocker Slider



51-0323 JK (4 Door) -Tube Rocker Slider



51-0345 JK (4 Door) -Raptor Rocker Slider



51-0332 JK (4 Door) Rock Slider



07-14 Jeep Wrangler Stubby Bumpers **New!**

Compact. That was the idea behind Paramount Offroad's brand new Short Jeep Bumper. Designed to provide your Jeep with the protection that it needs while giving your tires the freedom to explore those rocky terrains, the short bumper is perfect for the consumer that lives to climb over rocks. The Short Jeep Bumpers are also embedded with LED Lights so that your Jeep will never be blind in the night.

FEATURES

- Manufactured from durable 5/32 steel sheet and 2 1/4" X 0.120" tube
- High strength D-Ring Mounts are welded both inside and outside
- D-Rings included
- Built in winch plate for up to 12000 lbs winch
- Stainless Steel end cap
- Removable pre runner hoop
- Tiger textured black powder coat for corrosion protection and durability
- 3 year limited manufacturer warranty



PART #	YEAR	BUMPER
51-0350	07-14	Jeep Wrangler Stubby Front
51-0351	07-14	Jeep Wrangler MDC Front Bumper

4.75 Ton D Ring Included
304 Stainless Steel end cap

For OE Fog Light



4.75 Ton D Ring Included

51-0351

15W LED light included

304 Stainless steel end cap



Modular Front LED Bumper

Paramount's new innovative Modular Front LED Bumper for both JK and TJ gives customer choice to build their bumper based on need. The center base unit is the foundation with built in winch plate, reinforced D-Ring mounts and high power LED lights. The end caps and pre hoop can be installed to create a seamless look.

FEATURES

- Manufactured from durable 5/32" steel sheet and 2" X 0.120" tube
- High strength D-Ring Mounts are welded both inside and outside
- D-Rings included
- Built in winch plate for up to 12000 lbs winch
- Built in two round LED lights (4W) and two long LED lights (15W)
- Tiger textured black powder coat for corrosion protection and durability
- For 2013-2014 model, need 51-0337 to relocate vacuum pump
- 3 year limited manufacturer warranty



PART #	YEAR	BUMPER
51-0335	07-14	Modular Front LED Bumper
51-0049	97-06	Modular Front LED Bumper



Option 1

Option 2

Option 3



Option 4

Option 5

Option 6

07-14 Jeep Wrangler JK Bumpers

Heavy Duty, style, and innovation. These were the key phrases we had in mind when working on this line of bumpers, and the resulting products definitely embody these ideas. Made with 5/32" durable mild steel plating, 2"x0.120" tubes, and a high quality TIGER textured black powder coat for corrosion protection and durability. These bumpers are made to withstand anything that gets in their way! Their angular design allows for high clearance while simultaneously providing your Wrangler with the sharp-looking reinforcement you want! Front and rear bumpers come with D-Ring mounts welded on the inside and outside.

FEATURES

- Manufactured from durable 5/32 steel sheet and 2"x0.120" tube
- High strength D-Ring Mounts are welded both inside and outside
- D-Rings included
- 2" standard hitch reciever for rear bumper
- Built in winch plate for up to 12000 lbs winch
- Aluminum billet handle for rear bumper with tire carrier
- Adjustable Tire mount for rear bumper with carrier
- Tiger textured black powder coat for corrosion protection and durability
- For 2013-2014 model, need 51-0337 to relocate vacuum pump
- 3 year limited manufacturer warranty



07-14 Jeep Wrangler JK Bumpers

Heavy Duty, style, and innovation. These were the key phrases we had in mind when working on this line of bumpers, and the resulting products definitely embody these ideas. Made with 5/32" durable mild steel plating, 2"x0.120" tubes, and a high quality TIGER textured black powder coat for corrosion protection and durability. These bumpers are made to withstand anything that gets in their way! Their angular design allows for high clearance while simultaneously providing your Wrangler with the sharp-looking reinforcement you want! Front and rear bumpers come with D-Ring mounts welded on the inside and outside.

FEATURES

- Manufactured from durable 5/32" steel sheet and 2"x0.120" tube
- High strength D-Ring Mounts are welded both inside and outside
- D-Rings included
- 2" standard hitch reciever for rear bumper
- Built in winch plate for up to 12000 lbs winch
- Aluminum billet handle for rear bumper with tire carrier
- Adjustable Tire mount for rear bumper with carrier
- Tiger textured black powder coat for corrosion protection and durability
- OE fog lights housing for front bumpers
- For 2013-2014 model, need 51-0337 to relocate vacuum pump
- 3 year limited manufacturer warranty



PART #	YEAR	BUMPER
51-0328	07-14	R3 Front Bumper
51-0315	07-14	Rear Bumper with Tire Carrier

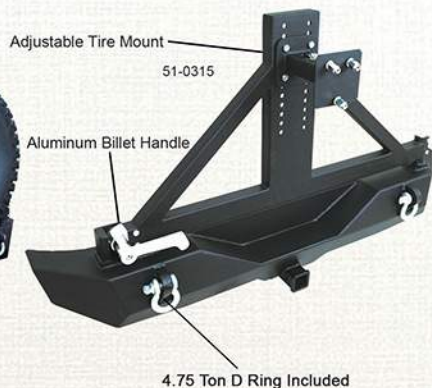


07-14 Jeep Wrangler JK Bumpers

Heavy Duty, style, and innovation. These were the key phrases we had in mind when working on this line of bumpers, and the resulting products definitely embody these ideas. Made with 5/32" durable mild steel plating, 2"x0.120" tubes, and a high quality TIGER textured black powder coat for corrosion protection and durability. These bumpers are made to withstand anything that gets in their way! Their angular design allows for high clearance while simultaneously providing your Wrangler with the sharp-looking reinforcement you want! Front and rear bumpers come with D-Ring mounts welded on the inside and outside.

FEATURES

- Manufactured from durable 5/32" steel sheet and 2"x0.120" tube
- High strength D-Ring Mounts are welded both inside and outside
- D-Rings included
- 2" standard hitch receiver for rear bumper
- Built in winch plate for up to 12000 lbs winch
- Aluminum billet handle for rear bumper with tire carrier
- Adjustable Tire mount for rear bumper with carrier
- Tiger textured black powder coat for corrosion protection and durability
- OE fog lights housing for front bumpers
- For 2013-2014 model, need 51-0337 to relocate vacuum pump
- 3 year limited manufacturer warranty



PART #	YEAR	BUMPER
51-0329	07-14	R4 Front Bumper
51-0315	07-14	Rear Bumper with Tire Carrier

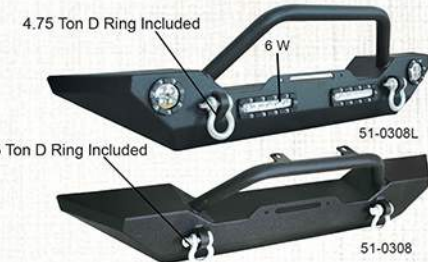
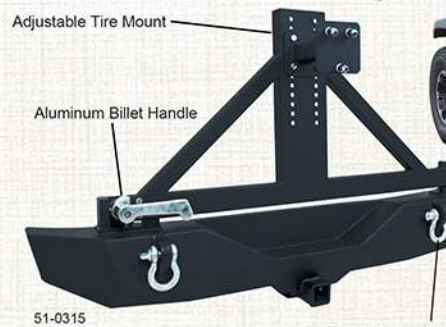


07-14 Jeep Wrangler JK Bumper

Heavy Duty, style, and innovation. These were the key phrases we had in mind when working on this line of bumpers, and the resulting products definitely embody these ideas. Made with 5/32" durable mild steel plating, 2"x0.120" tubes, and a high quality TIGER textured black powder coat for corrosion protection and durability. These bumpers are made to withstand anything that gets in their way! LED lights are installed to provide extra looks and functionality. Their angular design allows for high clearance while simultaneously providing your Wrangler with the sharp-looking reinforcement you want! Front and rear bumpers come with D-Ring mounts welded on the inside and outside.

FEATURES

- Manufactured from durable 5/32" steel sheet and 2"x0.120" tube
- High strength D-Ring Mounts are welded both inside and outside
- D-Rings included
- 2" standard hitch receiver for rear bumper
- Built in winch plate for up to 12000 lbs winch
- Aluminum billet handle for rear bumper with tire carrier
- Built in two round LED lights and two long LED lights
- Adjustable Tire mount for rear bumper with carrier
- Tiger textured black powder coat for corrosion protection and durability
- 3 year limited manufacturer warranty



PART #	YEAR	BUMPER
51-0308	07-14	Front Bumper
51-0308L	07-14	Front Bumper With LED Lights
51-0310	07-14	Rear Bumper
51-0315	07-14	Rear Bumper With Tire Carrier



Built-in Round LED Lights



Built-in Long LED Lights

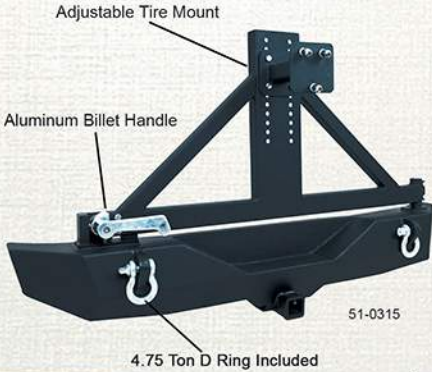


07-14 Jeep Wrangler JK Bumpers

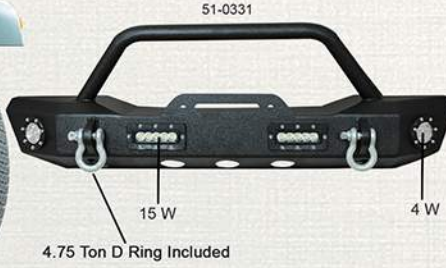
Heavy Duty, style, and innovation. These were the key phrases we had in mind when working on this line of bumpers, and the resulting products definitely embody these ideas. Made with 5/32" durable mild steel plating, 2"x0.120" tubes, and a high quality TIGER textured black powder coat for corrosion protection and durability. These bumpers are made to withstand anything that gets in their way! LED lights are installed to provide extra looks and functionality. Their angular design allows for high clearance while simultaneously providing your Wrangler with the sharp-looking reinforcement you want! Front and rear bumpers come with D-Ring mounts welded on the inside and outside.

FEATURES

- Manufactured from durable 5/32" steel sheet and 2"x0.120" tube
- High strength D-Ring Mounts are welded both inside and outside
- D-Rings included
- 2" standard hitch receiver for rear bumper
- Built in winch plate for up to 12000 lbs winch
- Aluminum billet handle for rear bumper with tire carrier
- Built in two round LED lights and two long LED lights
- Adjustable Tire mount for rear bumper with carrier
- Tiger textured black powder coat for corrosion protection and durability
- For 2013-2014 model, need 51-0337 to relocate vacuum pump
- 3 year limited manufacturer warranty



PART #	YEAR	BUMPER
51-0310	07-14	Rear Bumper
51-0315	07-14	Rear Bumper With Tire Carrier
51-0331	07-14	Offroad Front Bumper with LED Lights



07-14 Jeep Wrangler JK Bumpers

Heavy Duty, style, and innovation. These were the key phrases we had in mind when working on this line of bumpers, and the resulting products definitely embody these ideas. Made with 5/32" durable mild steel plating, 2"x0.120" tubes, and a high quality TIGER textured black powder coat for corrosion protection and durability. These bumpers are made to withstand anything that gets in their way! LED lights are installed to provide extra looks and functionality. Their angular design allows for high clearance while simultaneously providing your Wrangler with the sharp-looking reinforcement you want! Front and rear bumpers come with D-Ring mounts welded on the inside and outside.

FEATURES

- Manufactured from durable 5/32" steel sheet and 2"x0.120" tube
- High strength D-Ring Mounts are welded both inside and outside
- D-Rings included
- 2" standard hitch receiver for rear bumper
- Built in winch plate for up to 12000 lbs winch
- Aluminum billet handle for rear bumper with tire carrier
- Built in two round LED lights and two long LED lights
- Adjustable Tire mount for rear bumper with carrier
- Tiger textured black powder coat for corrosion protection and durability
- For 2013-2014 model, need 51-0337 to relocate vacuum pump
- 3 year limited manufacturer warranty



PART #	YEAR	BUMPER
51-0310	07-14	Rear Bumper
51-0315	07-14	Rear Bumper With Tire Carrier
51-0327	07-14	R2 Front Bumper



07-14 Jeep Wrangler JK Bumpers

We've taken our Heavy Duty design and fused it with our Rock Crawler design to create an entirely new look: Xtreme Heavy Duty. Made from the same 5/32" durable mild steel plating, our Xtreme Heavy Duty Series carries the angular steel-plated design of our Heavy Duty Series as well as the 2"x0.120" tubular design of our Rock Crawler Series. Finally, it is finished with a high quality TIGER textured black powder coat for corrosion protection and durability, resulting in a bumper that combines both the protection and the look! Of course, the Xtreme Heavy Duty series has welded D-Ring mounts as well as a built-in winch plate to accommodate for up to a 12,000 winch.

FEATURES

- Manufactured from durable 3/16 steel sheet and 2"x0.120" tube
- High strength D-Ring Mounts are welded both inside and outside
- D-Rings included
- 2" standard hitch receiver for rear bumper
- Built in winch plate for up to 12000 lbs winch
- Built in two LED lights (6W)
- Tiger textured black powder coat for corrosion protection and durability
- For 2013-2014 model, need 51-0337 to relocate vacuum pump
- 3 year limited manufacturer warranty

PART #	YEAR	BUMPER
51-0307	07-14	Front Bumper
51-0307L	07-14	Front Bumper With LED Lights
51-0325	07-14	X1 Rear Bumper with Tire Carrier

51-0307



4.75 Ton D Ring Included

51-0307L



4.75 Ton D Ring Included

6 W



51-0325



Adjustable Tire Mount

Aluminum Billet Handle

51-0325

4.75 Ton D Ring Included



Built-in Long LED Lights



87-14 Jeep Wrangler Stingers

Heavy Duty, style, and innovation. These were the key phrases we had in mind when working on this line of bumpers, and the resulting products definitely embody these ideas. Made with 5/32" durable mild steel plating, 2"x0.120" tubes, and a high quality TIGER textured black powder coat for corrosion protection and durability. These bumpers are made to withstand anything that gets in their way! LED lights are installed to provide extra looks and functionality. Their angular design allows for high clearance while simultaneously providing your Wrangler with the sharp-looking reinforcement you want! Front and rear bumpers come with D-Ring mounts welded on the inside and outside.

FEATURES

- Manufactured from durable 3/16 steel sheet and 2"x0.120" tube
- High strength D-Ring Mounts are welded both inside and outside
- D-Rings included
- Tiger textured black powder coat for corrosion protection and durability
- 3 year limited manufacturer warranty

51-0304



4.75 Ton D Ring Included



51-0027



4.75 Ton D Ring Included



PART #	YEAR	BUMPER
51-0027	87-06	Classic Stinger
51-0304	07-12	Xtreme Stinger

76-06 Jeep Wrangler TJ,YJ,CJ Rock Crawler Armor

New designed Rock Crawler Armor is for the most sever conditions of rock crawler. Every single part is test fitted to ensure the best fit. Mesh fender vent made the front fender more style, patterned step plate on rock slider made it stable to step on. Corner guard and rock slider are made of 5/32".

FEATURES

- Manufactured from durable 5/32" steel sheet and 2"X0.120" tube
- Tiger textured black powder coat for corrosion protection and durability
- 3 year limited manufacturer warranty



Front Fender



Front Fender with Flair



Rocker Guard with Step



Corner Guard with Rear Fender

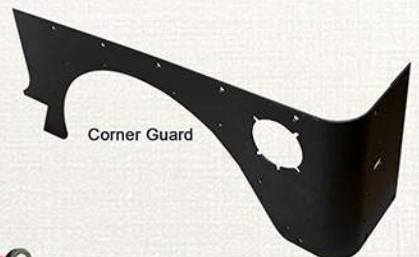


Rocker Guard with Step



Front Fender with Flair

PART #	YEAR	APPLICATION
51-0039	97-06	TJ Rocker Guard*
51-0040	97-06	TJ Rocker Guard with Step*
51-0041	97-06	TJ Front Fender**
51-0042	97-06	TJ Front Fender with Flair**
51-0043	97-06	TJ Corner Guard*
51-0044	97-06	TJ Rear Fender
51-0104	87-96	YJ Rocker Guard*
51-0105	87-96	YJ Rocker Guard with Step*
51-0106	87-96	YJ Front Fender**
51-0107	87-96	YJ Front Fender with Flair**
51-0108	87-96	YJ Corner Guard*
51-0109	87-96	YJ Rear Fender
51-0204	76-86	CJ Rocker Guard with Step*
51-0205	76-86	CJ Front Fender**
51-0206	76-86	CJ Front Fender with Flair**
51-0207	76-86	CJ Corner Guard*
51-0208	76-86	CJ Rear Fender



Corner Guard



Rear Fender

*Drilling required

**Drilling cutting required

87-06 Jeep Wrangler TJ,YJ Slider

Protect your Jeeps body by installing Paramount Off-Roads tubular rocker guards. Available in two styles, Paramount's rocker guards install easily and offer maximum protection to your Jeeps lower rocker panel. Made from durable 2" x .120" wall steel tubing and coated in a textured black finish, these rocker guards are the perfect choice for your Jeep TJ or YJ.

FEATURES

- Manufactured from durable 3/16 steel sheet and 2"X0.120" tube
- High strength D-Ring Mounts are welded both inside and outside
- D-Rings included
- 2" standard hitch reciever for rear bumper
- Tiger textured black powder coat for corrosion protection and durability
- 3 year limited manufacturer warranty



51-0001

PART #	YEAR	BUMPER
51-0001	87-06	Tubular Side Armor*
51-0002	87-06	Tubular Rocker Guard*



51-0002



*Drilling required

87-06 JEEP Wrangler TJ,YJ Rock Crawler Bumpers

Paramount Offroad is proud to introduce its Rock Crawler Series. Made from 2"x0.120" tubes that are machine-welded to one piece, these bumpers are finished with a high quality TIGER textured black powder coat for corrosion protection and durability, resulting in a bumper that has been designed and tested to endure the harshest off road activity! Our Rock Crawler Series also feature D-Ring mounts that are machine-welded on the inside and out.

FEATURES

- Manufactured from durable 3/16 steel sheet and 2"x0.120" tube
- High strength D-Ring Mounts are welded both inside and outside
- D-Rings included
- 2" standard hitch receiver for rear bumper
- Tiger textured black powder coat for corrosion protection and durability
- 3 year limited manufacturer warranty



PART #	YEAR	BUMPER
51-0000	87-06	Front Bumper
51-0003	87-06	Rear Bumper
51-0004	87-06	Rear Bumper with Tire Carrier



87-06 JEEP Wrangler TJ,YJ Bumpers

Heavy Duty, style, and innovation. These were the key phrases we had in mind when working on this line of bumpers, and the resulting products definitely embody these ideas. Made with 5/32" durable mild steel plating, 2"x0.120" tubes, and a high quality TIGER textured black powder coat for corrosion protection and durability. These bumpers are made to withstand anything that gets in their way! LED lights are installed to provide extra looks and functionality. Their angular design allows for high clearance while simultaneously providing your Wrangler with the sharp-looking reinforcement you want! Front and rear bumpers come with D-Ring mounts welded on the inside and outside.

PART #	YEAR	BUMPER
51-0015	87-06	Heavu Duty Rock Crawler Rear Bumper with Tire Carrier
51-0034	87-06	Front Bumper
51-0034L	87-06	Front Bumper With LED Lights



4.75 Ton D Ring Included



4.75 Ton D Ring Included



4.75 Ton D Ring Included

FEATURES

- Manufactured from durable 5/32" steel sheet and 2"x0.120" tube
- High strength D-Ring Mounts are welded both inside and outside
- D-Rings included
- 2" standard hitch receiver for rear bumper
- Built in winch plate for up to 12000 lbs winch
- Aluminum billet handle for rear bumper with tire carrier
- Built in two round LED lights and two long LED lights
- Adjustable Tire mount for rear bumper with carrier
- Tiger textured black powder coat for corrosion protection and durability
- For 2013 model, need 51-0337 to relocate vacuum pump(except 51-0308)
- 3 year limited manufacturer warranty



87-06 Jeep Wrangler TJ,YJ Bumpers

We've taken our Heavy Duty design and fused it with our Rock Crawler design to create an entirely new look: Xtreme Heavy Duty. Made from the same 5/32" durable mild steel plating, our Xtreme Heavy Duty Series carries the angular steel-plated design of our Heavy Duty Series as well as the 2"x0.120" tubular design of our Rock Crawler Series. Finally, it is finished with a high quality TIGER textured black powder coat for corrosion protection and durability, resulting in a bumper that combines both the protection and the looks! Of course, the Xtreme Heavy Duty series has welded D-Ring mounts as well as a built-in winch plate to accommodate for up to a 12,000 winch.

PART #	YEAR	BUMPER
51-0015	87-06	Heavu Duty Rock Crawler Rear Bumper with Tire Carrier
51-0029	87-06	Front Bumper
51-0029L	87-06	Front Bumper With LED Lights



51-0029

4.75 Ton D Ring Included



51-0029L

4.75 Ton D Ring Included



FEATURES

- Manufactured from durable 3/16 steel sheet and 2"x0.120" tube
- High strength D-Ring Mounts are welded both inside and outside
- D-Rings included
- 2" standard hitch reciever for rear bumper
- Built in winch plate for up to 12000 lbs winch
- Built in two LED lights (6W)
- Tiger textured black powder coat for corrosion protection and durability
- 3 year limited manufacturer warranty



51-0015

4.75 Ton D Ring Included



87-06 Jeep Wrangler TJ,YJ Bumpers

Paramount Restyling is proud to introduce its Rock Crawler Series. Made from 2"x0.120" tubes that are machine-welded to one piece, these bumpers are finished with a high quality TIGER textured black powder coat for corrosion protection and durability, resulting in a bumper that has been designed and tested to endure the harshest off road activity! Our Rock Crawler Series also feature D-Ring mounts that are machine-welded on the inside and out.

PART #	YEAR	BUMPER
51-0014	87-06	Heavu Duty Rock Crawler Rear Bumper
51-0015	87-06	Heavu Duty Rock Crawler Rear Bumper with Tire Carrier
51-0016	87-06	Heavu Duty Rock Crawler Front Bumper with Light Guard
51-0018	87-06	Heavu Duty Rock Crawler Front Bumper

FEATURES

- Manufactured from durable 3/16 steel sheet and 2"x0.120" tube
- High strength D-Ring Mounts are welded both inside and outside
- D-Rings included
- 2" standard hitch reciever for rear bumper
- Tiger textured black powder coat for corrosion protection and durability
- 3 year limited manufacturer warranty



4.75 Ton D Ring Included

51-0014



4.75 Ton D Ring Included

51-0016



51-0015

4.75 Ton D Ring Included



4.75 Ton D Ring Included

51-0018

87-06 Jeep Wrangler TJ,YJ Fat Tubular Bumpers

Our Fat Tubular Series provides your TJ/YJ with a more classical look. These 3"x0.120" tubes are made with our durable mild steel and finished with our two-stage powder coating process using epoxy pre-coating and TIGER textured black powder coating. Rear bumper with tire carrier makes the fat tubular bumper a full product line. Our rear bumper comes with a hitch receiver and is available with or without a tire carrier.



51-0011

FEATURES

- Manufactured from durable 3/16 steel sheet and 3"x0.120" tube
- 2" standard hitch receiver for rear bumper
- Aluminum billet handle for rear bumper with tire carrier
- Adjustable Tire mount for rear bumper with carrier
- Tiger textured black powder coat for corrosion protection and durability
- 3 year limited manufacturer warranty

PART #	YEAR	BUMPER
51-0005	87-06	Front Bumper
51-0006	87-06	Rear Bumper
51-0011	87-06	Rear Bumper with Tire Carrier



51-0005



51-0006



87-06 Jeep Wrangler TJ,YJ Bumpers

The Classical Series provides your TJ/YJ with a look reminiscent of older days. These simplistic designs still provide your TJ/YJ with significant protection as they're made with our 3/16" durable mild steel plating and finish with a high quality TIGER textured black powder coat for corrosion protection and durability. Our Classical Series also has machine-welded solid D-Ring mounts for both front and rear bumpers, and rear bumpers feature a hitch receiver. Rear bumper is available with or without a tire carrier.

FEATURES

- Manufactured from durable 3/16 steel sheet
- High strength D-Ring mounts are welded both inside and outside
- D-Rings included
- 2" standard hitch receiver for rear bumper
- Aluminum billet handle for rear bumper with tire carrier
- Adjustable Tire mount for rear bumper with carrier
- Tiger textured black powder coat for corrosion protection and durability
- 3 year limited manufacturer warranty



51-0007



51-0008



51-0035

4.75 Ton D Ring Included

PART #	YEAR	BUMPER
51-0007	87-06	Front Bumper
51-0008	87-06	Rear Bumper
51-0009	87-06	Rear Bumper with Tire Carrier
51-0035	87-06	TJ, YJ Rock Crawler Sports Front Bumper



4.75 Ton D Ring Included



07-14 Jeep Wrangler JK Grille **New!**

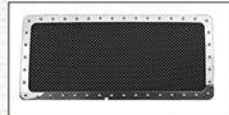
Our Paramount Restyling brand of Grilles has made its way to our Off-Road brand of Jeep Products in order to give you the most in On and Off-Road Jeep Accessories. From traditional billet grilles and trim accessories, you'll find the right grille to personalize your Jeep. Looking for more Xtreme accessories, grab our new Evolution LED grille and light up the nights sky! Read more about our NEW LED Grilles on page 6 & 7.



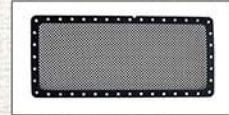
46-0931*
07-14 Evolution Black SS Wire Mesh Grille W/12" LED Light



46-0830
07-14 Evolution All Black SS Wire Mesh Packaged Grille W/12" LED Light



46-0631 (Cutout Mesh)
07-14 Evolution Chrome SS Wire Mesh



46-0731 (Cutout Mesh)
07-14 Evolution Black SS Wire Mesh



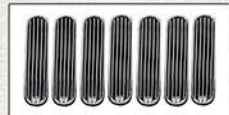
46-0230
07-14 Evolution Black SS Wire Mesh Package Grille



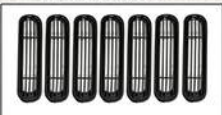
46-0230CF
07-14 Evolution Carbon Fiber Look Shell/Black Mesh Stainless Mesh Package Grille



46-0330
07-14 Evolution Chrome Shell/Black Mesh Stainless Mesh Package Grille



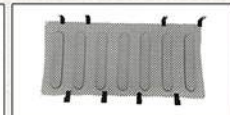
42-0215
07-14 Chrome 4mm Vertical Aluminum Billet Packaged Grille



41-0215B
07-14 Black 4mm Vertical Aluminum Billet Packaged Grille



43-0340
07-14 1PC Chrome Stainless Wire Mesh Grille



43-0340B
07-14 1PC Black Stainless Wire Mesh Grille



42-0522
07-14 Chrome SS Wire Mesh Packaged Grille (2.0mm)



42-0522B
07-14 Black SS Wire Mesh Packaged Grille (2.0mm)



41-0135
07-14 ABS 7PC Chrome Round Hole Packaged Grille



41-0135B
07-14 ABS 7PC Black Round Hole Packaged Grille

* LED light sold separately

New! 97-06 Jeep Wrangler TJ Grille

Our Paramount Restyling brand of Grilles has made its way to our Off-Road brand of Jeep Products in order to give you the most in On and Off-Road Jeep Accessories. From traditional billet grilles and trim accessories, you'll find the right grille to personalize your Jeep. Looking for more Xtreme accessories, grab our new Evolution LED grille and light up the nights sky! Read more about our NEW LED Grilles on page 6 & 7.



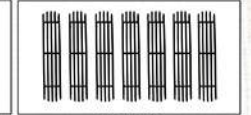
41-0136
07-14 ABS 7PC Chrome Packaged Grille



41-0137
07-14 ABS 7PC Black Packaged Grille



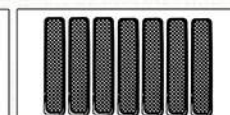
30-0105
07-14 Chrome 4mm Vertical Overlay



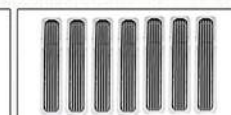
30-0105B
07-14 Black 4mm Vertical Overlay



42-0523
97-06 Chrome SS Wire Mesh Packaged Grille (2.0mm)



42-0523B
97-06 Black SS Wire Mesh Packaged Grille (2.0mm)



42-0216
97-06 Chrome 4mm Vertical Aluminum Billet Packaged Grille



42-0216B
97-06 Black 4mm Vertical Aluminum Billet Packaged Grille



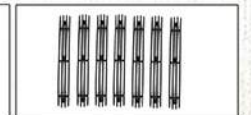
41-0138
97-06 ABS 7PC Chrome Packaged Grille



41-0139
97-06 ABS 7PC Black Packaged Grille



30-0109
97-06 7PC 4mm Vertical Overlay Billet Grille



30-0109B
97-06 7PC Black 4mm Vertical Overlay Billet Grille



07-14 Jeep Wrangler JK ABS Trims and Cut and Sewing

When Paramount Off-road says it wants to provide you everything you need to customize your Jeep, it means it. Not only does Paramount offer bumpers, lights, and grilles, but Paramount Off-road also has a full line of ABS Trim and Soft Goods products. The ABS Trim and Soft Goods lines will provide your Jeep with the finishing touches that it needs to truly become an off-road beast.



64-0213

07-14 Jeep Wrangler Chrome 4DR Door Handle Cover



64-0213CF

07-14 Jeep Wrangler Carbon Fiber Look 4DR Door Handle Cover



65-0207

07-14 Jeep Wrangler Chrome ABS Mirror Cover



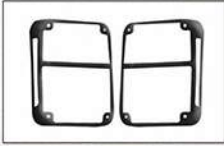
65-0207CF

07-14 Jeep Wrangler 6 PC Carbon Fiber Look ABS Mirror



67-0204

07-14 Jeep Wrangler Chrome ABS Tail light Bezels



67-0204CF

07-14 Jeep Wrangler Carbon Fiber Look ABS Tail light Bezels



69-0200

07-14 Jeep Wrangler Chrome ABS Head light Rim



69-0200CF

07-14 Jeep Wrangler Carbon Fiber Look Head light Rim Cover



51-9201

Standard Grab Handles



51-9301

Deluxe Sport Handles



51-9310

Extreme Sport Grab Handles



51-9315

Rear Grab Handles



51-9401

Adjustable Door Strap



51-9501

Off Road Organizer



51-9510

CB/Phone Holder



51-9520

Mag Light Holder



51-9530

Fire Extinguisher Holder (1 lb)



51-9540

Fire Extinguisher Holder (2.5 lb)



51-9550

Mini Flash Light Holder



51-9901

Roll Bar Drink Holder

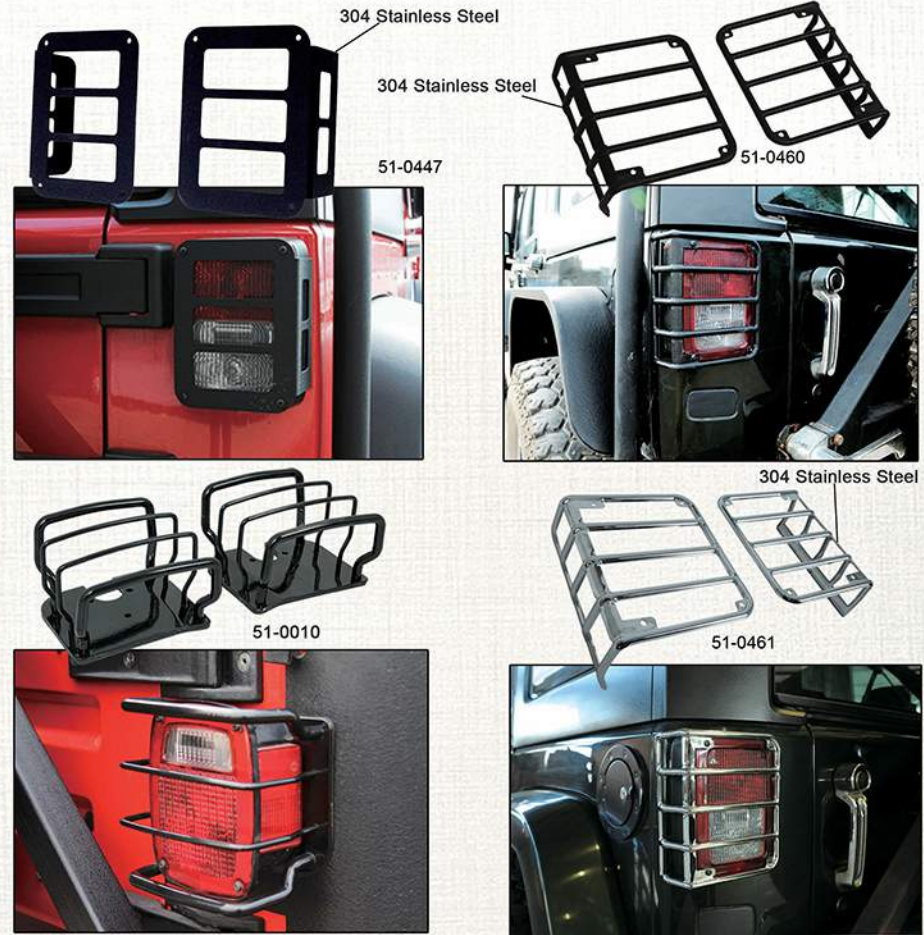
New! 97-14 Jeep Wrangler JK, TJ Euro Guards

Paramount's Off-Road's Euro Guards will install in minutes and will add protection and style to your factories rear tail lamps. Lamps use OE hardware and are sold in pairs.

PART #	YEAR	APPLICATION
51-0010	76-06	Rear Euro Light Guard
51-0447	07-14	Jeep Wrangler Black Stainless Billet Tail Light Guard Cover
51-0460	07-14	Jeep Wrangler Black Euro Stainless Steel Tail Light Guards
51-0461	07-14	Jeep Wrangler Chrome Euro Stainless Steel Tail Light Guards

FEATURES

- Made from Stainless and Mild Steels
- Formed and fitted to factory specs
- Tiger Textured black powder coat or Chromed for protection
- 1 Year Warranty on Material and finish



87-14 Jeep Wrangler Accessories

Paramount Off-Roads continued drive in creating products for your Jeep has expanded to include accessories that work with both Paramount Off-Road and OE products. From a third brake light extension to a under carriage protection Paramount Off-Road has several items to help the everyday life of your Jeep.

PART #	YEAR	APPLICATION
51-0333	87-14	Jeep Wrangler YJ, TJ & JK Rear Cargo Basket w/ Mounting Plate Included*
51-0339	07-14	Jeep Wrangler Engine/Transmission Skid Plate
51-0444	07-14	Jeep Wrangler JK 2 Inch Receiver Tow Towing Class 3 Hitch*
51-0445	07-14	Tire Relocation Bracket
51-0459	07-14	Jeep Wrangler JK Third Brake Light Mounting Bracket

* (Fits 51-0315, 51-0325, 51-0011 & 51-0015 Bumpers Only)



51-0333



51-0444



51-0339



51-0445



51-0459



87-14 Jeep Wrangler Accessories

Paramount Off-Roads continued drive in creating products for your Jeep has expanded to include accessories that work with both Paramount Off-Road and OE products. From a third brake light extension to a under carriage protection Paramount Off-Road has several items to help the everyday life of your Jeep.

PART #	APPLICATION
51-0017	D-Ring Tube Receiver
51-0023	D-Ring (6.50 Ton)
51-0024	D-Ring (4.75 Ton)
51-0025	D-Ring (3.25 Ton)
51-0026	D-Ring Solid Receiver
51-0050	Aluminum Billet Fairlead



51-0017



51-0026



51-0050



51-0023



2801

PART #	YEAR	APPLICATION
51-0314	07-14	Light Bar
2801	87-06	TJ/YJ Winch Plate
51-0337	2013	JK Vacuum Relocation Bracket



51-0337

51-0314

