

|                                                         |                |
|---------------------------------------------------------|----------------|
| <b>BALL &amp; FLARE CLAMPS</b>                          | Page 129       |
| <b>BRACKETS, HANGERS &amp; WIRES</b>                    |                |
| 360 Hangers                                             | Page 31 - 32   |
| Grommets                                                | Page 35, 39    |
| Metal Bracket Illustrations                             | Page 44 - 48   |
| Metal Straps "L" Strap 2 Holes                          | Page 36        |
| Metal Straps "L" Strap 5 Holes                          | Page 37        |
| Metal Straps "L" Strap No Holes                         | Page 37        |
| Metal Straps Straight 2 Holes                           | Page 38        |
| Metal Straps Straight 3 Holes                           | Page 38        |
| Metal Straps Straight 4 Holes                           | Page 38        |
| Metal Straps Straight 5 Holes                           | Page 39        |
| Metal Straps Straight No Holes                          | Page 39        |
| Muffler Strap Application Information                   | Page 69 - 70   |
| Muffler Strap Illustrations                             | Page 71 - 74   |
| OEM Style Metal Bracket Application Information         | Page 40 - 43   |
| OEM Style Rubber Insulator Application Information      | Page 49 - 60   |
| OEM Style Rubber Insulators                             | Page 61 - 68   |
| OEM Style Rubber Metal Brackets Application Information | Page 75 - 79   |
| Rubber Hangers                                          | Page 34 - 35   |
| Rubber Metal Bracket Illustrations                      | Page 80 - 82   |
| Rubber Metal Hangers                                    | Page 33 - 34   |
| Strap Hooks Universal                                   | Page 30        |
| Swivel Brackets                                         | Page 24        |
| Swivel Hangers                                          | Page 22 - 24   |
| Wire Forms                                              | Page 25 - 29   |
| <b>CLAMPS</b>                                           |                |
| Air Tube                                                | Page 10        |
| Band Clamps                                             | Page 11 -12    |
| Muffler - Heavy Duty                                    | Page 2 - 6     |
| Muffler - Standard Duty                                 | Page 7 -9      |
| Muffler - Truck, Welded Heavy Duty                      | Page 10 -11    |
| <b>CLAMP HANGERS</b>                                    | Page 128       |
| <b>FLANGES</b>                                          |                |
| OEM Style Flange Dimensions                             | Page 83 - 87   |
| OEM Style Flange Illustrations                          | Page 90 - 101  |
| Split Flange Application Information                    | Page 110 -121  |
| Split Flange OEM Style Dimensions                       | Page 122       |
| Split Flange OEM Style Illustrations                    | Page 123 - 124 |
| Split Flange Universal Style Dimensions                 | Page 122       |
| Split Flange Universal Style Illustrations              | Page 125       |
| Split Flanges - Specialty                               | Page 126 - 127 |
| Universal Style Flange Illustrations                    | Page 102 - 109 |
| Universal Style Flange Dimensions                       | Page 88 - 89   |

## **FLANGE MOUNTING KITS**

|                                             |                |
|---------------------------------------------|----------------|
| Flange Mounting Kit Application Information | Page 130 - 165 |
| Flange Mounting Kit Illustrations           | Page 166 - 171 |

## **FLEXIBLE TUBING, REPAIR PIPES**

|                                   |              |
|-----------------------------------|--------------|
| Flange Repair Pipe                | Page 20      |
| Flexible Flange Repair Pipe       | Page 17 - 19 |
| Flexible Tubing - Blank Ends      | Page 14      |
| Flexible Tubing - With Extensions | Page 15      |
| Spherical Joint Repair            | Page 16      |

## **GASKETS**

|                                          |                |
|------------------------------------------|----------------|
| Gasket Board Assortments                 | Page 184       |
| Gasket Cross Reference Information       | Page 219 - 229 |
| Gasket Illustrations "Top 100" Life Size | Page 185 - 218 |

## **HARDWARE**

|                              |                |
|------------------------------|----------------|
| Assortments                  | Page 176 - 177 |
| Cotter Pins                  | Page 182       |
| Flat Washers                 | Page 183       |
| Hex Bolts Metric Thread      | Page 179       |
| Hex Bolts US Standard Thread | Page 178 -179  |
| Hex Nuts Metric              | Page 180       |
| Hex Nuts Standard            | Page 180       |
| Hex Nuts Standard Brass      | Page 180       |
| Lock Washers                 | Page 182       |
| Manifold Studs Metric        | Page 181       |
| Manifold Studs Standard      | Page 181       |
| O2 Sensor Parts              | Page 183       |
| Self Tapping Screws          | Page 182       |
| Thread Cutting Screws        | Page 182       |

## **HEAT RISERS**

|                          |                |
|--------------------------|----------------|
| Heat Riser Illustrations | Page 172 - 173 |
|--------------------------|----------------|

## **MOUNTING KITS**

Page 128

## **SHOP SUPPLIES**

|                    |          |
|--------------------|----------|
| Cement             | Page 175 |
| Hardware Bin Empty | Page 177 |
| Pipe Hooks         | Page 175 |

## **SPECIALTY**

|              |               |
|--------------|---------------|
| Clamp A Stud | Page 174, 175 |
|--------------|---------------|

# Numbering System

## ni Number - Part Numbering System and how it works:

Our part numbering system offers you the simplest and most efficient exhaust accessories inventory stocking program available today!

The first 2 digits indicate the product category for each part number  
 i.e. 25000 is a Formed Wire, 20000 is a Muffler Strap and 15000 are Flanges  
 Any digits after the dash (-) indicate the package quantity

|          |
|----------|
| 25367-25 |
| 20847-1  |
| 15486-10 |

### Muffler Clamps - Part Numbering System

| 10                                             | 8                                                                                    | 212                                                                                                                                                                                                                                                     | -50B                                                                                     |
|------------------------------------------------|--------------------------------------------------------------------------------------|---------------------------------------------------------------------------------------------------------------------------------------------------------------------------------------------------------------------------------------------------------|------------------------------------------------------------------------------------------|
| <b>Product Category</b><br>10 = Muffler Clamps | <b>Style</b><br>8 = Heavy Duty Saddle Round Holes,<br>3/8" U-Bolt<br>With Flange Nut | <b>Size</b><br>112 = 1-1/2"<br>158 = 1-5/8"<br>134 = 1-3/4"<br>178 = 1-7/8"<br>200 = 2"<br>218 = 2-1/8"<br>214 = 2-1/4"<br>212 = 2-1/2"<br>234 = 2-3/4"<br>300 = 3"<br>314 = 3-1/4"<br>312 = 3-1/2"<br>400 = 4"<br>412 = 4-1/2"<br>500 = 5"<br>600 = 6" | <b>Packaging QTY</b><br>10 = 10 Boxed<br>50 = 50 Boxed<br>10B = 10 Bulk<br>50B = 50 Bulk |

### Flexible Tubing - Part Numbering System

| 19                                          | 134                                                                                                             | 04                                                                 | B                                          | I                               |
|---------------------------------------------|-----------------------------------------------------------------------------------------------------------------|--------------------------------------------------------------------|--------------------------------------------|---------------------------------|
| <b>Product Category</b><br>19 = Flex Tubing | <b>Flex I.D</b><br>134 = 1-3/4"<br>200 = 2"<br>225 = 2-1/4"<br>250 = 2-1/2"<br>300 = 3"<br>400 = 4"<br>500 = 5" | <b>Bellows Length</b><br>04 = 4"<br>06 = 6"<br>08 = 8"<br>10 = 10" | <b>End Type</b><br>B = Blank<br>N = Nipple | <b>Style</b><br>I = Inner Braid |

## Complete Prefix Sequence:

|           |                                |           |                                |
|-----------|--------------------------------|-----------|--------------------------------|
| <b>00</b> | No Holes "L" Metal Straps      | <b>29</b> | Specialty Split Flanges        |
| <b>01</b> | No Holes Straight Metal Straps | <b>31</b> | Flex Tube with Flange Assembly |
| <b>10</b> | Muffler Clamps                 | <b>33</b> | 3 Holes "L" Metal Straps       |
| <b>11</b> | Universal Hangers              | <b>35</b> | Rubber Grommets                |
| <b>12</b> | Hardware                       | <b>36</b> | Clamp Hangers                  |
| <b>13</b> | Exhaust Gaskets                | <b>37</b> | Flattened Formed Wires         |
| <b>14</b> | Heat Risers                    | <b>42</b> | Muffler Cement                 |
| <b>15</b> | Flanges                        | <b>43</b> | 4 Holes Straight Metal Straps  |
| <b>16</b> | Rubber Insulators              | <b>46</b> | Mounting Kit                   |
| <b>17</b> | Clamp-A-Stud                   | <b>47</b> | Collector Gaskets              |
| <b>18</b> | Flange Mounting Kits           | <b>48</b> | Spherical Joint Connectors     |
| <b>19</b> | Flexible Tubing                | <b>49</b> | Ball & Flare                   |
| <b>20</b> | Muffler Straps                 | <b>52</b> | 5 Holes "L" Metal Straps       |
| <b>21</b> | Rubber Strap Hangers           | <b>53</b> | 5 Holes Straight Metal Straps  |
| <b>22</b> | 2 Holes "L" Metal Straps       | <b>55</b> | 02 Sensor Nuts                 |
| <b>23</b> | 2 Holes Straight Metal Straps  | <b>56</b> | Assortments                    |
| <b>25</b> | Formed Wires                   | <b>57</b> | 02 Sensor Plugs                |
| <b>26</b> | Rubber and Metal Brackets      | <b>58</b> | 02 Sensor Flange               |
| <b>27</b> | Metal Brackets                 |           |                                |

# Part Number Index

| PART No. | PAGE No. | PART No.  | PAGE No. | PART No.   | PAGE No.         | PART No.  | PAGE No.      |
|----------|----------|-----------|----------|------------|------------------|-----------|---------------|
| 11.....  | 3        | 99.....   | 5        | 172.....   | 39               | 216.....  | 62, 63, 65    |
| 12.....  | 3        | 100.....  | 5        | 172L.....  | 37               | 217.....  | 66            |
| 14.....  | 3        | 101.....  | 5        | 173.....   | 39               | 218.....  | 62, 66        |
| 15.....  | 3        | 102.....  | 5        | 173L.....  | 37               | 219.....  | 61, 65        |
| 16.....  | 3        | 103.....  | 5        | 174.....   | 39               | 220.....  | 68            |
| 18.....  | 3        | 105.....  | 5        | 174L.....  | 37               | 221.....  | 65            |
| 19.....  | 3        | 106.....  | 5        | 175.....   | 31               | 222.....  | 67            |
| 20.....  | 2        | 107.....  | 5        | 175A.....  | 31               | 223.....  | 66            |
| 21.....  | 2        | 108.....  | 5        | 175AP..... | 31               | 224.....  | 66            |
| 22.....  | 2        | 109.....  | 5        | 175E.....  | 31               | 228.....  | 63, 66        |
| 23.....  | 2        | 110.....  | 5        | 175P.....  | 31               | 230.....  | 82            |
| 24.....  | 2        | 111.....  | 3        | 175S.....  | 31               | 231.....  | 61            |
| 25.....  | 2        | 130.....  | 7        | 176A.....  | 31               | 232.....  | 67            |
| 26.....  | 2        | 131.....  | 7        | 178.....   | 35, 39           | 233.....  | 67            |
| 27.....  | 2        | 132.....  | 7        | 179.....   | 35, 39           | 234.....  | 67            |
| 28.....  | 2        | 133.....  | 7        | 180.....   | 2                | 235.....  | 74            |
| 29.....  | 2        | 134.....  | 7        | 182.....   | 2                | 236.....  | 46            |
| 30.....  | 7        | 135.....  | 7        | 183.....   | 2                | 237.....  | 46            |
| 31.....  | 7        | 136.....  | 7        | 184.....   | 2                | 238.....  | 73            |
| 32.....  | 7        | 137.....  | 7        | 185.....   | 2                | 239.....  | 46            |
| 33.....  | 7        | 138.....  | 7        | 186.....   | 2                | 240.....  | 71            |
| 34.....  | 7        | 139.....  | 7        | 187.....   | 2                | 241.....  | 128           |
| 35.....  | 7        | 141.....  | 33       | 188.....   | 2                | 242.....  | 71            |
| 36.....  | 7        | 142.....  | 46       | 189.....   | 2                | 243.....  | 68            |
| 37.....  | 7        | 143.....  | 44       | 190.....   | 128              | 244.....  | 68            |
| 38.....  | 7        | 146.....  | 33       | 191.....   | 128              | 245.....  | 35, 39        |
| 39.....  | 7        | 147.....  | 33       | 192.....   | 166              | 260.....  | 10            |
| 44.....  | 32       | 148.....  | 46       | 194.....   | 166              | 261.....  | 10            |
| 46.....  | 33       | 149.....  | 126      | 195.....   | 166              | 263.....  | 10            |
| 60.....  | 3        | 150.....  | 33       | 195A.....  | 84, 95, 122, 123 | 265.....  | 10            |
| 61.....  | 3        | 151.....  | 46       | 196A.....  | 166              | 267.....  | 10            |
| 63.....  | 3        | 152.....  | 46       | 198.....   | 127              | 268.....  | 10            |
| 65.....  | 3        | 153.....  | 46       | 199.....   | 127              | 273.....  | 72, 74        |
| 67.....  | 3        | 160.....  | 47       | 200.....   | 34               | 300A..... | 10            |
| 68.....  | 3        | 161.....  | 47       | 201.....   | 34               | 301A..... | 10            |
| 74.....  | 31       | 162.....  | 47       | 202.....   | 34               | 302A..... | 10            |
| 76.....  | 32       | 163.....  | 47       | 203.....   | 34               | 303A..... | 10            |
| 77.....  | 32       | 164.....  | 47       | 204.....   | 62, 63, 65       | 306.....  | 168           |
| 80.....  | 2        | 165.....  | 47       | 206.....   | 61, 68           | 307.....  | 168           |
| 83.....  | 2        | 166.....  | 44       | 207.....   | 61, 68           | 310.....  | 169           |
| 84.....  | 2        | 169.....  | 126      | 209.....   | 61               | 311.....  | 169           |
| 85.....  | 2        | 170.....  | 38       | 210.....   | 68               | 313.....  | 169           |
| 86.....  | 2        | 170L..... | 36       | 213.....   | 62               | 315.....  | 171           |
| 87.....  | 2        | 171.....  | 38       | 214.....   | 64               | 316.....  | 167, 171      |
| 89.....  | 2        | 171L..... | 36       | 215.....   | 64               | 317.....  | 166, 167, 170 |

# Part Number Index Cont.

| PART No.  | PAGE No. | PART No.     | PAGE No. | PART No. | PAGE No.       | PART No.  | PAGE No. |
|-----------|----------|--------------|----------|----------|----------------|-----------|----------|
| 318.....  | 168      | 460.....     | 12       | 705..... | 80             | 838.....  | 48       |
| 319.....  | 169      | 461.....     | 12       | 706..... | 80             | 839.....  | 73       |
| 320.....  | 88, 102  | 510.....     | 48       | 707..... | 62, 66         | 840.....  | 45       |
| 321.....  | 88, 102  | 513.....     | 30       | 708..... | 71             | 841.....  | 45       |
| 322.....  | 88, 102  | 514.....     | 30       | 711..... | 34             | 842.....  | 81       |
| 323.....  | 88, 103  | 515.....     | 30       | 712..... | 63             | 843.....  | 72       |
| 324.....  | 88, 104  | 516.....     | 30       | 713..... | 72             | 844.....  | 72       |
| 325.....  | 88, 104  | 518.....     | 22       | 714..... | 72             | 845.....  | 73       |
| 326.....  | 89, 107  | 519.....     | 24       | 715..... | 72             | 846.....  | 64       |
| 327.....  | 86, 98   | 521.....     | 74       | 717..... | 44             | 847.....  | 73       |
| 328.....  | 86, 98   | 522.....     | 74       | 800..... | 34             | 848.....  | 45       |
| 329.....  | 87, 100  | 524.....     | 22       | 801..... | 35             | 849.....  | 81       |
| 330.....  | 86, 99   | 525.....     | 22       | 802..... | 64             | 853.....  | 73       |
| 331.....  | 129      | 526.....     | 22       | 803..... | 44             | 855.....  | 73       |
| 333.....  | 126      | 527.....     | 22       | 804..... | 80             | 869.....  | 73       |
| 334.....  | 89, 108  | 00568.....   | 37       | 805..... | 35             | 1232..... | 8        |
| 336.....  | 129      | 00568HD..... | 37       | 806..... | 64             | 1233..... | 8        |
| 338.....  | 85, 97   | 00571HD..... | 37       | 807..... | 80             | 1234..... | 8        |
| 345.....  | 38       | 00574.....   | 37       | 808..... | 44             | 1235..... | 8        |
| 345L..... | 36       | 00574HD..... | 37       | 809..... | 81             | 1236..... | 8        |
| 346.....  | 38       | 00580.....   | 37       | 810..... | 81             | 1237..... | 8        |
| 346L..... | 36       | 00580HD..... | 37       | 812..... | 81             | 1238..... | 8        |
| 347.....  | 38       | 00582.....   | 37       | 813..... | 81             | 1239..... | 8        |
| 347L..... | 36       | 00582HD..... | 37       | 814..... | 44             | 1240..... | 3        |
| 348.....  | 38       | 00583HD..... | 37       | 815..... | 64             | 1241..... | 3        |
| 348L..... | 36       | 585.....     | 32       | 817..... | 81             | 1242..... | 3        |
| 349.....  | 38       | 585N.....    | 32       | 818..... | 48             | 1243..... | 3        |
| 349L..... | 36       | 586.....     | 32       | 820..... | 81             | 1244..... | 3        |
| 361.....  | 25       | 586N.....    | 32       | 821..... | 81             | 1245..... | 3        |
| 365.....  | 27       | 587.....     | 32       | 822..... | 44             | 1246..... | 3        |
| 366.....  | 27       | 587N.....    | 32       | 823..... | 72             | 1247..... | 3        |
| 368.....  | 26       | 600.....     | 61       | 824..... | 72             | 1248..... | 3        |
| 369.....  | 26       | 601.....     | 44       | 825..... | 64, 65         | 1249..... | 3        |
| 375.....  | 24       | 602.....     | 61       | 826..... | 64             | 1312..... | 3        |
| 376.....  | 24       | 604.....     | 61       | 827..... | 64, 65, 67     | 1314..... | 3        |
| 450.....  | 12       | 605.....     | 62, 63   | 828..... | 64, 65, 67, 68 | 1315..... | 3        |
| 451.....  | 12       | 606.....     | 65       | 829..... | 44             | 1316..... | 3        |
| 452.....  | 12       | 607.....     | 80, 81   | 830..... | 45             | 1318..... | 3        |
| 453.....  | 12       | 608.....     | 71       | 831..... | 45             | 1319..... | 3        |
| 454.....  | 12       | 610.....     | 71       | 832..... | 45             | 1320..... | 2        |
| 455.....  | 12       | 611.....     | 62       | 833..... | 45             | 1321..... | 2        |
| 456.....  | 12       | 701.....     | 80       | 834..... | 81             | 1322..... | 2        |
| 457.....  | 12       | 702.....     | 80       | 835..... | 45             | 1323..... | 2        |
| 458.....  | 12       | 703.....     | 80       | 836..... | 45             | 1324..... | 2        |
| 459.....  | 12       | 704.....     | 62       | 837..... | 45             | 1325..... | 2        |

# Part Number Index Cont.

| PART No.     | PAGE No. | PART No.  | PAGE No. | PART No.    | PAGE No. | PART No.      | PAGE No. |
|--------------|----------|-----------|----------|-------------|----------|---------------|----------|
| 1326.....    | 2        | 1670..... | 12       | 1926.....   | 15       | 11188.....    | 22       |
| 1327.....    | 2        | 1671..... | 12       | 1927.....   | 15       | 11189.....    | 22       |
| 1328.....    | 2        | 1672..... | 12       | 1929.....   | 15       | 11190.....    | 23       |
| 1329.....    | 2        | 1673..... | 12       | 1931.....   | 15       | 11191.....    | 23       |
| 1332.....    | 7        | 1674..... | 12       | 1932.....   | 15       | 11192.....    | 23       |
| 1333.....    | 7        | 1675..... | 12       | 1933.....   | 14       | 11375.....    | 24       |
| 1334.....    | 7        | 1676..... | 12       | 1934.....   | 14       | 11376.....    | 24       |
| 1335.....    | 7        | 1677..... | 12       | 1935.....   | 14       | 11518.....    | 22       |
| 1336.....    | 7        | 1678..... | 12       | 1936.....   | 14       | 11519.....    | 24       |
| 1337.....    | 7        | 1679..... | 12       | 1937.....   | 14       | 11524.....    | 22       |
| 1338.....    | 7        | 1680..... | 12       | 1939.....   | 15       | 11525.....    | 22       |
| 1339.....    | 7        | 1721..... | 11       | 1940.....   | 15       | 11526.....    | 22       |
| 01355.....   | 39       | 1722..... | 11       | 1941.....   | 15       | 11527.....    | 22       |
| 01356.....   | 39       | 1723..... | 11       | 1942.....   | 15       | 11527U.....   | 23       |
| 1420.....    | 11       | 1724..... | 11       | 1943.....   | 15       | 11527UP.....  | 23       |
| 1421.....    | 11       | 1725..... | 11       | 1944.....   | 15       | 11527USA..... | 22       |
| 1422.....    | 11       | 1726..... | 11       | 1945.....   | 15       | 11528.....    | 24       |
| 1423.....    | 11       | 1727..... | 11       | 1946.....   | 15       | 11528P.....   | 24       |
| 1424.....    | 11       | 1728..... | 11       | 1947.....   | 15       | 11529U.....   | 23       |
| 1425.....    | 11       | 1729..... | 11       | 1948.....   | 15       | 11529UP.....  | 23       |
| 1426.....    | 11       | 1730..... | 11       | 1960.....   | 16       | 11530U.....   | 23       |
| 1427.....    | 11       | 1734..... | 11       | 1961.....   | 16       | 11530UP.....  | 23       |
| 1428.....    | 11       | 1735..... | 11       | 1965.....   | 17       | 11533.....    | 22       |
| 1429.....    | 11       | 1736..... | 11       | 1966.....   | 17       | 11533U.....   | 23       |
| 1430.....    | 11       | 1737..... | 11       | 1967.....   | 17       | 11533UP.....  | 24       |
| 1431.....    | 11       | 1738..... | 11       | 1968.....   | 17       | 11534.....    | 24       |
| 1431.....    | 11       | 1739..... | 11       | 1969.....   | 18       | 11534P.....   | 24       |
| 01572.....   | 39       | 1740..... | 11       | 1970.....   | 18       | 11535.....    | 24       |
| 01572HD..... | 39       | 1900..... | 14       | 1971.....   | 18       | 11585.....    | 32       |
| 01576HD..... | 39       | 1901..... | 14       | 1972.....   | 18       | 11586.....    | 32       |
| 01569HD..... | 39       | 1902..... | 14       | 11044.....  | 32       | 11587.....    | 32       |
| 01577.....   | 39       | 1904..... | 14       | 11071.....  | 31       | 11588.....    | 32       |
| 01579HD..... | 39       | 1906..... | 14       | 11072.....  | 32       | 11589.....    | 32       |
| 01581.....   | 39       | 1907..... | 14       | 11073.....  | 31       | 11590.....    | 32       |
| 01581HD..... | 39       | 190.....  | 14       | 11076.....  | 32       | 12001.....    | 178      |
| 01588HD..... | 39       | 1910..... | 14       | 11077.....  | 32       | 12002.....    | 178      |
| 1661.....    | 12       | 1913..... | 14       | 11078.....  | 31       | 12003.....    | 178      |
| 1662.....    | 12       | 1914..... | 14       | 11078P..... | 31       | 12004.....    | 178      |
| 1663.....    | 12       | 1916..... | 14       | 11079.....  | 31       | 12005.....    | 178      |
| 1664.....    | 12       | 1918..... | 14       | 11081.....  | 31       | 12006.....    | 178      |
| 1665.....    | 12       | 1919..... | 15       | 11175.....  | 31       | 12008.....    | 178      |
| 1666.....    | 12       | 1920..... | 15       | 11175P..... | 31       | 12009.....    | 178      |
| 1667.....    | 12       | 1921..... | 15       | 11176.....  | 31       | 12010.....    | 178      |
| 1668.....    | 12       | 1923..... | 15       | 11181.....  | 31       | 12011.....    | 178      |
| 1669.....    | 12       | 1925..... | 15       | 11187.....  | 22       | 12012.....    | 179      |

# Part Number Index Cont.

| PART No.   | PAGE No. | PART No.   | PAGE No. | PART No.   | PAGE No. | PART No.   | PAGE No. |
|------------|----------|------------|----------|------------|----------|------------|----------|
| 12013..... | 179      | 12063..... | 179      | 12152..... | 180      | 12400..... | 183      |
| 12014..... | 179      | 12064..... | 178      | 12153..... | 180      | 12401..... | 183      |
| 12015..... | 179      | 12065..... | 179      | 12154..... | 180      | 12402..... | 183      |
| 12017..... | 178      | 12066..... | 179      | 12156..... | 180      | 12403..... | 183      |
| 12018..... | 178      | 12067..... | 179      | 12159..... | 180      | 12405..... | 183      |
| 12019..... | 178      | 12068..... | 179      | 12161..... | 180      | 12431..... | 183      |
| 12020..... | 178      | 12069..... | 179      | 12162..... | 180      | 12432..... | 183      |
| 12021..... | 178      | 12070..... | 179      | 12170..... | 178      | 12433..... | 183      |
| 12022..... | 178      | 12072..... | 180      | 12171..... | 182      | 12434..... | 183      |
| 12023..... | 178      | 12073..... | 180      | 12172..... | 178      | 12435..... | 183      |
| 12024..... | 178      | 12074..... | 180      | 12201..... | 182      | 12436..... | 183      |
| 12025..... | 178      | 12075..... | 180      | 12202..... | 182      | 12461..... | 182      |
| 12026..... | 178      | 12076..... | 180      | 12203..... | 182      | 12462..... | 182      |
| 12027..... | 178      | 12077..... | 183      | 12204..... | 182      | 12463..... | 182      |
| 12028..... | 178      | 12078..... | 183      | 12205..... | 182      | 12466..... | 182      |
| 12029..... | 179      | 12079..... | 183      | 12207..... | 180      | 12501..... | 182      |
| 12030..... | 179      | 12080..... | 182      | 12300..... | 181      | 12502..... | 182      |
| 12031..... | 179      | 12081..... | 182      | 12301..... | 181      | 12503..... | 182      |
| 12032..... | 179      | 12082..... | 178      | 12302..... | 181      | 12504..... | 182      |
| 12033..... | 179      | 12097..... | 180      | 12303..... | 181      | 12561..... | 181      |
| 12034..... | 178      | 12100..... | 178      | 12304..... | 181      | 12562..... | 181      |
| 12035..... | 178      | 12101..... | 180      | 12305..... | 181      | 12930..... | 16       |
| 12036..... | 178      | 12102..... | 180      | 12306..... | 181      | 13001..... | 195      |
| 12037..... | 179      | 12103..... | 180      | 12307..... | 181      | 13002..... | 196      |
| 12038..... | 179      | 12104..... | 180      | 12308..... | 178      | 13004..... | 204      |
| 12039..... | 179      | 12105..... | 180      | 12310..... | 181      | 13010..... | 204      |
| 12040..... | 179      | 12106..... | 180      | 12311..... | 181      | 13011..... | 206      |
| 12041..... | 178      | 12107..... | 180      | 12312..... | 181      | 13015..... | 188      |
| 12042..... | 178      | 12108..... | 180      | 12313..... | 181      | 13017..... | 188      |
| 12043..... | 178      | 12109..... | 180      | 12314..... | 181      | 13020..... | 204      |
| 12045..... | 178      | 12110..... | 180      | 12315..... | 181      | 13021..... | 197      |
| 12046..... | 178      | 12111..... | 180      | 12316..... | 181      | 13022..... | 195      |
| 12047..... | 179      | 12113..... | 180      | 12316..... | 181      | 13023..... | 198      |
| 12048..... | 179      | 12114..... | 178      | 12317..... | 180      | 13025..... | 213      |
| 12049..... | 179      | 12115..... | 178      | 12318..... | 181      | 13028..... | 185      |
| 12050..... | 179      | 12116..... | 178      | 12322..... | 181      | 13030..... | 205      |
| 12051..... | 179      | 12117..... | 178      | 12328..... | 178      | 13044..... | 200      |
| 12053..... | 179      | 12118..... | 178      | 12329..... | 182      | 13057..... | 189      |
| 12054..... | 179      | 12119..... | 178      | 12330..... | 182      | 13062..... | 211      |
| 12055..... | 179      | 12120..... | 178      | 12349..... | 181      | 13070..... | 188      |
| 12056..... | 179      | 12121..... | 178      | 12353..... | 181      | 13081..... | 196      |
| 12057..... | 179      | 12122..... | 178      | 12356..... | 181      | 13083..... | 205      |
| 12060..... | 179      | 12123..... | 180      | 12358..... | 181      | 13094..... | 207      |
| 12061..... | 180      | 12124..... | 180      | 12361..... | 181      | 13095..... | 201      |
| 12062..... | 179      | 12125..... | 178      | 12385..... | 181      | 13096..... | 199      |



# Part Number Index Cont.

| PART No.   | PAGE No. | PART No.   | PAGE No. | PART No.    | PAGE No. | PART No.   | PAGE No.          |
|------------|----------|------------|----------|-------------|----------|------------|-------------------|
| 13109..... | 189      | 13733..... | 202      | 14024.....  | 173      | 15036..... | 89, 107           |
| 13110..... | 188      | 13735..... | 212      | 14026.....  | 173      | 15039..... | 87, 101           |
| 13111..... | 189      | 13736..... | 211      | 14027.....  | 172      | 15040..... | 86, 99            |
| 13154..... | 204      | 13737..... | 185      | 14030.....  | 173      | 15041..... | 87, 100           |
| 13184..... | 198      | 13738..... | 186      | 14031.....  | 173      | 15042..... | 87, 100           |
| 13185..... | 195      | 13739..... | 210      | 14032.....  | 173      | 15043..... | 84, 96            |
| 13186..... | 199      | 13741..... | 211      | 14033.....  | 172      | 15044..... | 83, 92            |
| 13187..... | 201      | 13742..... | 186      | 14201.....  | 175      | 15046..... | 87, 101           |
| 13229..... | 205      | 13743..... | 186      | 14202.....  | 175      | 15047..... | 86, 99            |
| 13236..... | 210      | 13748..... | 209      | 15001.....  | 83, 91   | 15048..... | 87, 101           |
| 13251..... | 207      | 13751..... | 206      | 15002.....  | 83, 90   | 15049..... | 85                |
| 13280..... | 203      | 13758..... | 193      | 15003.....  | 84, 94   | 15050..... | 86, 100           |
| 13283..... | 209      | 13759..... | 185      | 15004.....  | 84, 94   | 15051..... | 86, 98            |
| 13295..... | 198      | 13767..... | 210      | 15005.....  | 84, 93   | 15052..... | 87, 101           |
| 13315..... | 214      | 13783..... | 185      | 15006.....  | 84, 94   | 15055..... | 89, 107           |
| 13316..... | 202      | 13797..... | 208      | 15007.....  | 84, 93   | 15057..... | 86, 99            |
| 13317..... | 212      | 13798..... | 212      | 15008.....  | 84, 93   | 15058..... | 86, 98            |
| 13320..... | 197      | 13800..... | 185      | 15009.....  | 84, 95   | 15059..... | 85, 97            |
| 13323..... | 192      | 13807..... | 187      | 15011.....  | 85, 97   | 15069..... | 88, 105           |
| 13328..... | 191      | 13818..... | 203      | 15012.....  | 83, 91   | 15071..... | 88, 102           |
| 13329..... | 194      | 13832..... | 192      | 15013.....  | 84, 95   | 15092..... | 89, 107           |
| 13332..... | 194      | 13841..... | 211      | 15014.....  | 83, 92   | 15101..... | 83, 91, 122, 123  |
| 13338..... | 193      | 13843..... | 185      | 15015.....  | 83, 92   | 15102..... | 83, 92, 122, 124  |
| 13403..... | 202      | 13846..... | 199      | 15016.....  | 84, 96   | 15103..... | 83, 92, 122, 124  |
| 13426..... | 16       | 13847..... | 187      | 15017.....  | 83, 90   | 15104..... | 84, 96, 122, 123  |
| 13434..... | 210      | 13854..... | 200      | 15018.....  | 84, 95   | 15105..... | 84, 95, 122, 123  |
| 13509..... | 191      | 13855..... | 197      | 15019.....  | 84, 93   | 15106..... | 88, 103, 122, 125 |
| 13574..... | 190      | 13872..... | 197      | 15020.....  | 83, 91   | 15107..... | 88, 104, 122, 125 |
| 13578..... | 190      | 13907..... | 194      | 15020S..... | 83, 91   | 15108..... | 83, 92, 122, 124  |
| 13584..... | 190      | 13910..... | 213      | 15021.....  | 84, 95   | 15109..... | 84, 95, 122, 123  |
| 13585..... | 190      | 13916..... | 187      | 15022.....  | 83, 91   | 15111..... | 89, 107           |
| 13594..... | 194      | 13923..... | 190      | 15022S..... | 83, 91   | 15112..... | 86, 89, 99, 108   |
| 13597..... | 195      | 13981..... | 193      | 15023.....  | 85, 97   | .....      | 122, 124, 125     |
| 13600..... | 205      | 14001..... | 172      | 15024.....  | 89, 106  | 15113..... | 83, 90, 122, 123  |
| 13612..... | 191      | 14002..... | 172      | 15025.....  | 86, 99   | .....      | 124               |
| 13613..... | 191      | 14003..... | 172      | 15026.....  | 89, 106  | 15114..... | 83, 90, 122, 124  |
| 13615..... | 190      | 14004..... | 172      | 15027.....  | 84, 93   | 15115..... | 88, 103           |
| 13635..... | 196      | 14005..... | 172      | 15028.....  | 84, 93   | 15116..... | 85, 97            |
| 13648..... | 193      | 14007..... | 172      | 15029.....  | 84, 96   | 15120..... | 86, 98, 122       |
| 13659..... | 193      | 14009..... | 172      | 15030.....  | 84, 95   | .....      | 123, 124          |
| 13675..... | 186      | 14010..... | 172      | 15031.....  | 84, 96   | 15121..... | 83, 90, 122, 124  |
| 13684..... | 196      | 14011..... | 173      | 15032.....  | 84, 93   | 15123..... | 89, 108           |
| 13685..... | 201      | 14021..... | 173      | 15033.....  | 83, 91   | 15126..... | 86, 98            |
| 13723..... | 198      | 14022..... | 173      | 15034.....  | 89, 100  | 15127..... | 84, 96            |
| 13731..... | 200      | 14023..... | 173      | 15035.....  | 83, 92   | 15130..... | 88, 102           |

# Part Number Index Cont.

| PART No.    | PAGE No.              | PART No.   | PAGE No.        | PART No.    | PAGE No.       | PART No.   | PAGE No. |
|-------------|-----------------------|------------|-----------------|-------------|----------------|------------|----------|
| 15131.....  | 88, 104               | 15507..... | 88, 102         | 16600.....  | 61             | 18536..... | 167      |
| 15132.....  | 85, 97, 104           | 15509..... | 86, 89, 98, 107 | 16602.....  | 61             | 18537..... | 168      |
| 15133.....  | 88, 105, 122, 125     | 15512..... | 88, 102         | 16604.....  | 61             | 18538..... | 170      |
| 15134.....  | 88, 105               | 15514..... | 84, 93          | 16605.....  | 62, 63         | 18539..... | 166      |
| 15195A..... | 84, 95, 122, 123, 127 | 15515..... | 85, 97          | 16606.....  | 65             | 20233..... | 71       |
| 15201.....  | 167, 170              | 15538..... | 170             | 16611.....  | 62             | 20235..... | 74       |
| 15202.....  | 167, 170              | 15900..... | 20, 99          | 16704.....  | 62             | 20238..... | 73       |
| 15318.....  | 169                   | 15901..... | 20, 100         | 16707.....  | 62, 66         | 20240..... | 71       |
| 15320.....  | 88, 102               | 15902..... | 20, 100         | 16712.....  | 63             | 20242..... | 71       |
| 15321.....  | 88, 102               | 15903..... | 85, 97          | 16713.....  | 61, 63, 68     | 20273..... | 72, 74   |
| 15322.....  | 88, 102               | 16204..... | 62, 63, 65      | 16720.....  | 63             | 20521..... | 74       |
| 15323.....  | 88, 103               | 16206..... | 61, 68          | 16802.....  | 64             | 20522..... | 74       |
| 15324.....  | 88, 104               | 16207..... | 61, 68          | 16806.....  | 64             | 20608..... | 71       |
| 15325.....  | 88, 104               | 16209..... | 61              | 16815.....  | 64             | 20610..... | 71       |
| 15326.....  | 89, 107               | 16210..... | 68              | 16825.....  | 64, 65         | 20708..... | 71       |
| 15327.....  | 86, 98                | 16211..... | 65              | 16826.....  | 64             | 20713..... | 72       |
| 15328.....  | 86, 98                | 16213..... | 62              | 16827.....  | 64, 65, 67     | 20714..... | 72       |
| 15329.....  | 87, 100               | 16214..... | 64              | 16828.....  | 64, 65, 67, 68 | 20715..... | 72       |
| 15330.....  | 86, 99                | 16215..... | 64              | 16846.....  | 64             | 20823..... | 72       |
| 15331.....  | 89, 109               | 16216..... | 62, 63, 65      | 17350.....  | 174, 175       | 20824..... | 72       |
| 15334.....  | 89, 108               | 16217..... | 66              | 17351.....  | 174, 175       | 20839..... | 73       |
| 15337.....  | 86, 100               | 16218..... | 62, 66          | 17352.....  | 174, 175       | 20843..... | 72       |
| 15338.....  | 85, 97                | 16219..... | 61, 65          | 18192.....  | 166            | 20844..... | 72       |
| 15340.....  | 86, 98                | 16220..... | 68              | 18194.....  | 166            | 20845..... | 73       |
| 15350.....  | 89, 108               | 16221..... | 65              | 18195.....  | 166            | 20847..... | 73       |
| 15351.....  | 89, 108               | 16222..... | 67              | 18196A..... | 166            | 20853..... | 73       |
| 15353.....  | 88, 105               | 16223..... | 66              | 18201.....  | 167, 170       | 20855..... | 73       |
| 15389.....  | 89, 108               | 16224..... | 66              | 18202.....  | 167, 170       | 20856..... | 71       |
| 15390.....  | 89, 108               | 16228..... | 63, 66          | 18203.....  | 167            | 20858..... | 71       |
| 15397.....  | 89, 108               | 16229..... | 61              | 18304.....  | 168, 171       | 20860..... | 71       |
| 15484.....  | 88, 103               | 16231..... | 61              | 18305.....  | 168            | 20862..... | 71       |
| 15485.....  | 88, 102               | 16232..... | 67              | 18306.....  | 168            | 20869..... | 73       |
| 15486.....  | 88, 105               | 16233..... | 67              | 18307.....  | 168            | 20870..... | 73       |
| 15487.....  | 88, 103               | 16234..... | 67              | 18309.....  | 168            | 20875..... | 73       |
| 15488.....  | 88, 103               | 16243..... | 68              | 18310.....  | 169            | 20876..... | 71       |
| 15489.....  | 88, 104               | 16244..... | 68              | 18311.....  | 169            | 20877..... | 72       |
| 15490.....  | 88, 105               | 16246..... | 67              | 18313.....  | 169            | 20878..... | 73       |
| 15492.....  | 88, 103               | 16247..... | 62, 66          | 18314.....  | 169            | 20879..... | 74       |
| 15496.....  | 86, 104               | 16248..... | 67              | 18315.....  | 171            | 21140..... | 33       |
| 15498.....  | 88, 103               | 16259..... | 67              | 18316.....  | 167, 171       | 21141..... | 33       |
| 15500.....  | 88, 104               | 16269..... | 68              | 18317.....  | 166, 167, 170  | 21145..... | 33       |
| 15501.....  | 86, 99                | 16270..... | 63              | 18318.....  | 169            | 21145..... | 33       |
| 15503.....  | 89, 107               | 16271..... | 63              | 18319.....  | 169            | 21146..... | 33       |
| 15505.....  | 89, 107               | 16272..... | 63              | 18534.....  | 170            | 21147..... | 33       |
| 15506.....  | 88, 105               | 16273..... | 62, 65, 66, 67  | 18535.....  | 170            | 21150..... | 33       |

# Part Number Index Cont.

| PART No.     | PAGE No. | PART No.     | PAGE No. | PART No.   | PAGE No. | PART No.   | PAGE No.      |
|--------------|----------|--------------|----------|------------|----------|------------|---------------|
| 21154.....   | 34       | 23171.....   | 38       | 25380..... | 26       | 27156..... | 47            |
| 21159.....   | 34       | 23171HD..... | 38       | 25382..... | 27       | 27159..... | 47            |
| 21160.....   | 34       | 23172.....   | 38       | 25384..... | 28       | 27160..... | 47            |
| 21161.....   | 34       | 23172HD..... | 38       | 25385..... | 26       | 27161..... | 47            |
| 21200.....   | 34       | 23345.....   | 38       | 25386..... | 28       | 27162..... | 47            |
| 21201.....   | 34       | 23345HD..... | 38       | 25387..... | 26       | 27163..... | 47            |
| 21202.....   | 34       | 23346.....   | 38       | 25388..... | 28       | 27164..... | 47            |
| 21203.....   | 34       | 23346HD..... | 38       | 25388..... | 26       | 27165..... | 47            |
| 21211.....   | 33       | 23348.....   | 38       | 25390..... | 26       | 27166..... | 44            |
| 21212.....   | 33       | 23348HD..... | 38       | 25391..... | 27       | 27181..... | 47            |
| 21252.....   | 33       | 23349.....   | 38       | 25392..... | 27       | 27211..... | 47            |
| 21255.....   | 33       | 23349HD..... | 38       | 25393..... | 27       | 27212..... | 48            |
| 21711.....   | 34       | 23539.....   | 38       | 25400..... | 28       | 27226..... | 48            |
| 21800.....   | 34       | 23539HD..... | 38       | 25480..... | 26       | 27236..... | 46            |
| 21801.....   | 35       | 23542.....   | 38       | 25481..... | 26       | 27237..... | 46            |
| 21805.....   | 35       | 23542HD..... | 38       | 25482..... | 28       | 27239..... | 46            |
| 22170.....   | 36       | 23548.....   | 38       | 26155..... | 80       | 27510..... | 48            |
| 22170HD..... | 36       | 23548HD..... | 38       | 26156..... | 80       | 27601..... | 44            |
| 22171.....   | 36       | 25180.....   | 28       | 26230..... | 82       | 27717..... | 44            |
| 22171HD..... | 36       | 25182.....   | 28       | 26607..... | 80, 81   | 27803..... | 44            |
| 22345.....   | 36       | 25183.....   | 28       | 26701..... | 80       | 27808..... | 44            |
| 22345HD..... | 36       | 25184.....   | 28       | 26702..... | 80       | 27814..... | 44            |
| 22346.....   | 36       | 25185.....   | 29       | 26703..... | 80       | 27818..... | 48            |
| 22346HD..... | 36       | 25186.....   | 29       | 26705..... | 80       | 27822..... | 44            |
| 22347.....   | 36       | 25262.....   | 27       | 26706..... | 80       | 27829..... | 44            |
| 22347HD..... | 36       | 25266.....   | 25       | 26804..... | 80       | 27830..... | 45            |
| 22348.....   | 36       | 25350.....   | 26       | 26807..... | 80       | 27831..... | 45            |
| 22348HD..... | 36       | 25351.....   | 25       | 26809..... | 81       | 27832..... | 45            |
| 22349.....   | 36       | 25352.....   | 25       | 26810..... | 81       | 27833..... | 45            |
| 22349HD..... | 36       | 25353.....   | 28       | 26812..... | 81       | 27835..... | 45            |
| 22533.....   | 36       | 25357.....   | 27       | 26813..... | 81       | 27836..... | 45            |
| 22533HD..... | 36       | 25358.....   | 25       | 26817..... | 81       | 27837..... | 45            |
| 22534.....   | 36       | 25359.....   | 26       | 26820..... | 81       | 27838..... | 48            |
| 22534HD..... | 36       | 25361.....   | 25       | 26821..... | 81       | 27840..... | 45            |
| 22535.....   | 36       | 25362.....   | 27       | 26834..... | 81       | 27841..... | 45            |
| 22535HD..... | 36       | 25364.....   | 27       | 26842..... | 81       | 27848..... | 45            |
| 22536.....   | 36       | 25365.....   | 27       | 26849..... | 81       | 27861..... | 48            |
| 22536HD..... | 36       | 25366.....   | 27       | 27142..... | 46       | 29149..... | 126           |
| 22537.....   | 36       | 25367.....   | 25       | 27143..... | 44       | 29169..... | 126           |
| 22537HD..... | 36       | 25368.....   | 26       | 27148..... | 46       | 29177..... | 126           |
| 22545.....   | 36       | 25369.....   | 26       | 27151..... | 46       | 29192..... | 127           |
| 22545HD..... | 36       | 25373.....   | 25       | 27152..... | 46       | 29193..... | 122, 123, 127 |
| 22546HD..... | 36       | 25374.....   | 25       | 27153..... | 46       | 29198..... | 127           |
| 23170.....   | 38       | 25377.....   | 25       | 27154..... | 46       | 29199..... | 127           |
| 23170HD..... | 38       | 25379.....   | 25       | 27155..... | 46       | 29333..... | 126           |

# Part Number Index Cont.

| PART No.     | PAGE No. | PART No.     | PAGE No. | PART No.         | PAGE No. | PART No.         | PAGE No. |
|--------------|----------|--------------|----------|------------------|----------|------------------|----------|
| 29339.....   | 126      | 48214.....   | 16       | 85086.....       | 2        | 103200-50.....   | 2        |
| 29340.....   | 127      | 49331.....   | 129      | 85087.....       | 2        | 103200-50B.....  | 2        |
| 29341.....   | 127      | 49336.....   | 129      | 102012-25B.....  | 10       | 103212-10T.....  | 2        |
| 31965.....   | 17       | 52172.....   | 37       | 102034-25B.....  | 10       | 103212-50.....   | 2        |
| 31966.....   | 17       | 52172HD..... | 37       | 102058-25B.....  | 10       | 103212-50B.....  | 2        |
| 31967.....   | 17       | 52173.....   | 37       | 102100-25B.....  | 10       | 103214-10T.....  | 2        |
| 31968.....   | 17       | 52173HD..... | 37       | 102112-100B..... | 7        | 103214-50.....   | 2        |
| 31969.....   | 18       | 52174.....   | 37       | 102112-10T.....  | 7        | 103214-50B.....  | 2        |
| 31970.....   | 18       | 52174HD..... | 37       | 102112-50.....   | 7        | 103218-10T.....  | 2        |
| 31971.....   | 18       | 52555.....   | 37       | 102114-100B..... | 7        | 103218-50.....   | 2        |
| 31972.....   | 18       | 52555HD..... | 37       | 102114-10T.....  | 7        | 103218-50B.....  | 2        |
| 31975.....   | 19       | 52561.....   | 37       | 102114-50.....   | 7        | 103234-50B.....  | 2        |
| 33552.....   | 38       | 52561HD..... | 37       | 102118-100B..... | 7        | 103300-50.....   | 2        |
| 35178.....   | 35, 39   | 53172.....   | 39       | 102118-10T.....  | 7        | 103300-50B.....  | 2        |
| 35179.....   | 35, 39   | 53172HD..... | 39       | 102118-50.....   | 7        | 104112-100.....  | 7        |
| 35245.....   | 35, 39   | 53173.....   | 39       | 102134-100B..... | 7        | 104112-100B..... | 7        |
| 35246.....   | 35, 39   | 53173HD..... | 39       | 102134-10T.....  | 7        | 104112-50.....   | 7        |
| 35252.....   | 35, 39   | 53174.....   | 39       | 102134-50.....   | 7        | 104112-50B.....  | 7        |
| 35255.....   | 35, 39   | 53174HD..... | 39       | 102158-100B..... | 7        | 104112P-50B..... | 9        |
| 36190.....   | 128      | 53558.....   | 39       | 102158-10T.....  | 7        | 104114-100.....  | 7        |
| 36191.....   | 128      | 53558HD..... | 39       | 102158-50.....   | 7        | 104114-100B..... | 7        |
| 36290.....   | 128      | 53564.....   | 39       | 102178-100B..... | 7        | 104114-50.....   | 7        |
| 36291.....   | 128      | 53564HD..... | 39       | 102178-10T.....  | 7        | 104114-50B.....  | 7        |
| 37512.....   | 30       | 54397.....   | 175      | 102178-50.....   | 7        | 104114P-50B..... | 9        |
| 37513.....   | 30       | 54398.....   | 175      | 102200-100B..... | 7        | 104118-100.....  | 7        |
| 37514.....   | 30       | 56001.....   | 176      | 102200-10T.....  | 7        | 104118-100B..... | 7        |
| 37515.....   | 30       | 56002.....   | 177      | 102200-50.....   | 7        | 104118-50.....   | 7        |
| 37516.....   | 30       | 56006.....   | 184      | 102212-100B..... | 7        | 104118-50B.....  | 7        |
| 42006.....   | 175      | 56007.....   | 184      | 102212-10T.....  | 7        | 104118P-50B..... | 9        |
| 42016.....   | 175      | 58811.....   | 183      | 102212-50.....   | 7        | 104134-100.....  | 7        |
| 43553.....   | 38       | 85030.....   | 7        | 102214-100B..... | 7        | 104134-100B..... | 7        |
| 43553HD..... | 38       | 85031.....   | 7        | 102214-10T.....  | 7        | 104134-50.....   | 7        |
| 46241.....   | 128      | 85032.....   | 7        | 102214-50.....   | 7        | 104134-50B.....  | 7        |
| 27160.....   | 47       | 85033.....   | 7        | 102218-100B..... | 7        | 104134P-50B..... | 9        |
| 27161.....   | 47       | 85034.....   | 7        | 102218-10T.....  | 7        | 104158-100.....  | 7        |
| 47024.....   | 215      | 85035.....   | 7        | 102218-50.....   | 7        | 104158-100B..... | 7        |
| 47025.....   | 215      | 85036.....   | 7        | 103112-10T.....  | 2        | 104158-50.....   | 7        |
| 47026.....   | 216      | 85037.....   | 7        | 103112-50.....   | 2        | 104158-50B.....  | 7        |
| 47029.....   | 218      | 85038.....   | 7        | 103112-50B.....  | 2        | 104158P-50B..... | 9        |
| 47039.....   | 216      | 85039.....   | 7        | 103134-10T.....  | 2        | 104178-100.....  | 7        |
| 47040.....   | 217      | 85080.....   | 2        | 103134-50B.....  | 2        | 104178-100B..... | 7        |
| 47041.....   | 217      | 85082.....   | 2        | 103178-10T.....  | 2        | 104178-50.....   | 7        |
| 48200.....   | 16       | 85083.....   | 2        | 103178-50.....   | 2        | 104178-50B.....  | 7        |
| 48200E.....  | 16       | 85084.....   | 2        | 103178-50B.....  | 2        | 104178P-50B..... | 9        |
| 48212.....   | 16       | 85085.....   | 2        | 103200-10T.....  | 2        | 104200-100.....  | 7        |

# Part Number Index Cont.

| PART No.         | PAGE No. | PART No.         | PAGE No. | PART No.         | PAGE No. | PART No.          | PAGE No. |
|------------------|----------|------------------|----------|------------------|----------|-------------------|----------|
| 104200-100B..... | 7        | 106234-50.....   | 2        | 108134-50B.....  | 3        | 108312-10B.....   | 3        |
| 104200-50.....   | 7        | 106234-50B.....  | 2        | 108134P-50.....  | 4        | 108312P-10.....   | 4        |
| 104200-50B.....  | 7        | 106300-50.....   | 2        | 108134P-50B..... | 4        | 108312P-10B.....  | 4        |
| 104200P-50B..... | 9        | 106300-50B.....  | 2        | 108134SS-10..... | 6        | 108312SS-10.....  | 6        |
| 104212-100.....  | 7        | 107112-50.....   | 3        | 108158-50.....   | 3        | 108314-10.....    | 3        |
| 104212-100B..... | 7        | 107112-50B.....  | 3        | 108158-50B.....  | 3        | 108314-10B.....   | 3        |
| 104212-50.....   | 7        | 107112P-50.....  | 4        | 108158P-50.....  | 4        | 108314SS-10.....  | 6        |
| 104212-50B.....  | 7        | 107112P-50B..... | 4        | 108158P-50B..... | 4        | 108400-10.....    | 3        |
| 104212P-50B..... | 9        | 107112SS-10..... | 5        | 108158SS-10..... | 6        | 108400-10B.....   | 3        |
| 104214-100.....  | 7        | 107134-50.....   | 3        | 108178-50.....   | 3        | 108400P-10.....   | 4        |
| 104214-100B..... | 7        | 107134-50B.....  | 3        | 108178-50B.....  | 3        | 108400P-10B.....  | 4        |
| 104214-50.....   | 7        | 107134P-50.....  | 4        | 108178P-50.....  | 4        | 108400SS-10.....  | 6        |
| 104214-50B.....  | 7        | 107134P-50B..... | 4        | 108178P-50B..... | 4        | 108412-10.....    | 3        |
| 104214P-50B..... | 9        | 107134SS-10..... | 5        | 108178SS-10..... | 6        | 108412-10B.....   | 3        |
| 104218-100.....  | 7        | 107178-50.....   | 3        | 108200-50.....   | 3        | 108412P-10.....   | 4        |
| 104218-100B..... | 7        | 107178-50B.....  | 3        | 108200-50B.....  | 3        | 108412P-10B.....  | 4        |
| 104218-50.....   | 7        | 107178P-50.....  | 4        | 108200P-50.....  | 4        | 108412SS-10.....  | 6        |
| 104218-50B.....  | 7        | 107178P-50B..... | 4        | 108200P-50B..... | 4        | 108500-10.....    | 3        |
| 104218P-50B..... | 9        | 107178SS-10..... | 5        | 108200SS-10..... | 6        | 108500-10B.....   | 3        |
| 105112-100B..... | 8        | 107200-50.....   | 3        | 108212-50.....   | 3        | 108500P-10.....   | 4        |
| 105114-100B..... | 8        | 107200-50B.....  | 3        | 108212-50B.....  | 3        | 108500P-10B.....  | 4        |
| 105118-100B..... | 8        | 107200P-50.....  | 4        | 108212P-50.....  | 4        | 108500SS-10.....  | 6        |
| 105134-100B..... | 8        | 107200P-50B..... | 4        | 108212P-50B..... | 4        | 108600-10.....    | 3        |
| 105158-100B..... | 8        | 107200SS-10..... | 5        | 108212SS-10..... | 6        | 108600-10B.....   | 3        |
| 105178-100B..... | 8        | 107212-50.....   | 3        | 108214-50.....   | 3        | 108600P-10.....   | 4        |
| 105200-100B..... | 8        | 107212-50B.....  | 3        | 108214-50B.....  | 3        | 108600P-10B.....  | 4        |
| 105212-100B..... | 8        | 107212P-50.....  | 4        | 108214P-50.....  | 4        | 108600SS-10.....  | 6        |
| 105214-100B..... | 8        | 107212P-50B..... | 4        | 108214P-50B..... | 4        | 1010112-50.....   | 5        |
| 105218-100B..... | 8        | 107212SS-10..... | 5        | 108214SS-10..... | 6        | 1010134-50.....   | 5        |
| 106112-50.....   | 2        | 107214-50.....   | 3        | 108218-50.....   | 3        | 1010158-50.....   | 5        |
| 106112-50B.....  | 2        | 107214-50B.....  | 3        | 108218-50B.....  | 3        | 1010178-50.....   | 5        |
| 106134-50.....   | 2        | 107214P-50.....  | 4        | 108218P-50.....  | 4        | 1010200-50.....   | 5        |
| 106134-50B.....  | 2        | 107214P-50B..... | 4        | 108218P-50B..... | 4        | 1010212-50.....   | 5        |
| 106158-50.....   | 2        | 107214SS-10..... | 5        | 108218SS-10..... | 6        | 1010214-50.....   | 5        |
| 106158-50B.....  | 2        | 107300-50.....   | 3        | 108234-50.....   | 3        | 1010218-50.....   | 5        |
| 106178-50.....   | 2        | 107300-50B.....  | 3        | 108234-50B.....  | 3        | 1010300-50.....   | 5        |
| 106178-50B.....  | 2        | 107300P-50.....  | 4        | 108234P-50.....  | 4        | 1010312-20.....   | 5        |
| 106200-50.....   | 2        | 107300P-50B..... | 4        | 108234P-50B..... | 4        | 1010400-20.....   | 5        |
| 106200-50B.....  | 2        | 107300SS-10..... | 5        | 108234SS-10..... | 6        | 1010500-20.....   | 5        |
| 106212-50.....   | 2        | 108112-50.....   | 3        | 108300-50.....   | 3        | 1012234P-10.....  | 10       |
| 106212-50B.....  | 2        | 108112-50B.....  | 3        | 108300-50B.....  | 3        | 1012234P-10B..... | 10       |
| 106214-50.....   | 2        | 108112P-50.....  | 4        | 108300P-50.....  | 4        | 1012300P-10.....  | 10       |
| 106214-50B.....  | 2        | 108112P-50B..... | 4        | 108300P-50B..... | 4        | 1012300P-10B..... | 10       |
| 106218-50.....   | 2        | 108112SS-10..... | 6        | 108300SS-10..... | 6        | 1012312P-10.....  | 10       |
| 106218-50B.....  | 2        | 108134-50.....   | 3        | 108312-10.....   | 3        | 1012312P-10B..... | 10       |

**DESIGN MAKES  
THE DIFFERENCE**

# Part Number Index Cont.

| PART No.          | PAGE No. | PART No.          | PAGE No. | PART No.        | PAGE No. |
|-------------------|----------|-------------------|----------|-----------------|----------|
| 1012314P-10.....  | 10       | 1014200P-50B..... | 9        | 1935010BI.....  | 14       |
| 1012314P-10B..... | 10       | 1014212-100B..... | 8        | 1940008BI.....  | 14       |
| 1012400P-10.....  | 10       | 1014212P-50B..... | 9        | 1940010BI.....  | 14       |
| 1012400P-10B..... | 10       | 1014214-100B..... | 8        | 1950008BI.....  | 14       |
| 1012412P-10.....  | 10       | 1014214P-50B..... | 9        | 1950010BI.....  | 14       |
| 1012412P-10B..... | 10       | 1913404BI.....    | 14       | 5512125.....    | 183      |
| 1012500P-10.....  | 10       | 1913404NI.....    | 15       | 5518150.....    | 183      |
| 1012500P-10B..... | 10       | 1913406BI.....    | 14       | 5518150A.....   | 183      |
| 1012512P-10.....  | 10       | 1913406NI.....    | 15       | 5518150ASS..... | 183      |
| 1012512P-10B..... | 10       | 1913408BI.....    | 14       | 5518150R.....   | 183      |
| 1012600P-10.....  | 10       | 1913408NI.....    | 15       | 5518150RSS..... | 183      |
| 1012600P-10B..... | 10       | 1913410BI.....    | 14       | 5518150SS.....  | 183      |
| 1013234-10.....   | 10       | 1913410NI.....    | 15       | 5718150.....    | 183      |
| 1013234-50B.....  | 10       | 1920004BI.....    | 14       |                 |          |
| 1013234P-10.....  | 10       | 1920004NI.....    | 15       |                 |          |
| 1013234P-10B..... | 10       | 1920006BI.....    | 14       |                 |          |
| 1013300-10.....   | 10       | 1920006NI.....    | 15       |                 |          |
| 1013300-50B.....  | 10       | 1920008BI.....    | 14       |                 |          |
| 1013300P-10B..... | 11       | 1920008NI.....    | 15       |                 |          |
| 1013312-10.....   | 10       | 1920010BI.....    | 14       |                 |          |
| 1013312-10B.....  | 10       | 1920010NI.....    | 15       |                 |          |
| 1013312P-10B..... | 11       | 1922504BI.....    | 14       |                 |          |
| 1013314-10.....   | 10       | 1922504NI.....    | 15       |                 |          |
| 1013314-10B.....  | 10       | 1922506BI.....    | 14       |                 |          |
| 1013314P-10B..... | 11       | 1922506NI.....    | 15       |                 |          |
| 1013400-10.....   | 10       | 1922508BI.....    | 14       |                 |          |
| 1013400-10B.....  | 10       | 1922508NI.....    | 15       |                 |          |
| 1013400-50B.....  | 10       | 1922510BI.....    | 14       |                 |          |
| 1013400P-10B..... | 11       | 1922510NI.....    | 15       |                 |          |
| 1013412-10.....   | 10       | 1925004BI.....    | 14       |                 |          |
| 1013412-10B.....  | 10       | 1925004NI.....    | 15       |                 |          |
| 1013412P-10B..... | 11       | 1925006BI.....    | 14       |                 |          |
| 1013500-10.....   | 10       | 1925006NI.....    | 15       |                 |          |
| 1013500-10B.....  | 10       | 1925008BI.....    | 14       |                 |          |
| 1013500P-10B..... | 10       | 1925008NI.....    | 15       |                 |          |
| 1013600-10.....   | 10       | 1925010BI.....    | 14       |                 |          |
| 1013600-10B.....  | 10       | 1925010NI.....    | 15       |                 |          |
| 1013600P-10B..... | 11       | 1930004BI.....    | 14       |                 |          |
| 1014112-100B..... | 8        | 1930004NI.....    | 15       |                 |          |
| 1014112P-50B..... | 9        | 1930006BI.....    | 14       |                 |          |
| 1014134-100B..... | 8        | 1930006NI.....    | 15       |                 |          |
| 1014134P-50B..... | 9        | 1930008BI.....    | 14       |                 |          |
| 1014178-100B..... | 8        | 1930008NI.....    | 15       |                 |          |
| 1014178P-50B..... | 9        | 1930010BI.....    | 14       |                 |          |
| 1014200-100B..... | 8        | 1930010NI.....    | 15       |                 |          |

# Packaging Options

Add a dash (-) after the base number to indicate quantity.

i.e. 11044-1 (1 per box), 11588-10 (10 bulk), 11527UP-25 (25 bulk)

| ni Number | Indv.  |        |
|-----------|--------|--------|
|           | Packed | Bulk   |
| 00568     |        | 50     |
| 00568HD   |        | 25     |
| 00571HD   |        | 25     |
| 00574     |        | 50     |
| 00574HD   |        | 25     |
| 00580     |        | 50     |
| 00580HD   |        | 25     |
| 00582     |        | 50     |
| 00582HD   |        | 25     |
| 00583HD   |        | 25     |
| 01355     |        | 25     |
| 01356     |        | 25     |
| 01572     |        | 50     |
| 01572HD   |        | 25     |
| 01576HD   |        | 25     |
| 01569HD   |        | 25     |
| 01577     |        | 50     |
| 01579HD   |        | 25     |
| 01581     |        | 50     |
| 01581HD   |        | 25     |
| 01588HD   |        | 25     |
| 11044     | 1      |        |
| 11071     | 1      | 50     |
| 11072     | 1      | 10, 50 |
| 11073     | 1      | 25, 50 |
| 11076     | 1      | 25, 50 |
| 11077     | 1      | 10, 50 |
| 11078     | 1      | 50     |
| 11078P    |        | 25     |
| 11079     | 1      | 50     |
| 11081     | 1      | 50     |
| 11175     |        | 50     |
| 11175P    |        | 25     |
| 11176     | 1      | 50     |
| 11181     |        | 50     |
| 11187     |        | 10     |
| 11188     |        | 10     |
| 11189     |        | 10     |
| 11190     |        | 10     |
| 11191     | 1      | 10     |
| 11192     |        | 10     |
| 11375     |        | 25     |
| 11376     |        | 25     |
| 11518     |        | 50     |
| 11519     |        | 10     |
| 11524     |        | 50     |
| 11525     |        | 50     |
| 11526     |        | 50     |
| 11527     |        | 50     |
| 11527U    |        | 50     |
| 11527UP   |        | 25     |
| 11527USA  |        | 50     |

| ni Number | Indv.  |      |
|-----------|--------|------|
|           | Packed | Bulk |
| 11528     |        | 50   |
| 11528P    |        | 50   |
| 11529U    |        | 25   |
| 11529UP   |        | 25   |
| 11530U    |        | 50   |
| 11530UP   |        | 25   |
| 11533     |        | 50   |
| 11533U    |        | 25   |
| 11533UP   |        | 25   |
| 11534     |        | 25   |
| 11534P    |        | 25   |
| 11535     |        | 50   |
| 11585     |        | 10   |
| 11586     |        | 10   |
| 11587     |        | 10   |
| 11588     |        | 10   |
| 11589     |        | 10   |
| 11590     |        | 10   |
| 14001     | 1      |      |
| 14002     | 1      |      |
| 14003     | 1      |      |
| 14004     | 1      |      |
| 14005     | 1      |      |
| 14007     | 1      |      |
| 14009     | 1      |      |
| 14010     | 1      |      |
| 14011     | 1      |      |
| 14021     | 1      |      |
| 14022     | 1      |      |
| 14023     | 1      |      |
| 14024     | 1      |      |
| 14026     | 1      |      |
| 14027     | 1      |      |
| 14030     | 1      |      |
| 14031     | 1      |      |
| 14032     | 1      |      |
| 14033     | 1      |      |
| 15001     | 1      | 10   |
| 15002     | 1      | 10   |
| 15003     | 1      |      |
| 15004     | 1      |      |
| 15005     | 1      |      |
| 15006     | 1      |      |
| 15007     | 1      |      |
| 15008     | 1      |      |
| 15009     | 1      |      |
| 15011     | 1      |      |
| 15012     | 1      |      |
| 15013     | 1      |      |
| 15014     | 1      | 10   |
| 15015     | 1      |      |
| 15016     | 1      | 10   |

| ni Number | Indv.  |      |
|-----------|--------|------|
|           | Packed | Bulk |
| 15017     | 1      |      |
| 15018     | 1      |      |
| 15019     | 1      |      |
| 15020     | 1      | 10   |
| 15020S    | 1      | 10   |
| 15021     | 1      |      |
| 15022     | 1      | 10   |
| 15022S    | 1      | 10   |
| 15023     | 1      | 10   |
| 15024     | 1      |      |
| 15025     | 1      |      |
| 15026     | 1      |      |
| 15027     | 1      |      |
| 15028     | 1      |      |
| 15029     | 1      | 10   |
| 15030     | 1      |      |
| 15031     | 1      | 10   |
| 15032     | 1      |      |
| 15033     | 1      | 10   |
| 15034     | 1      |      |
| 15035     | 1      |      |
| 15036     | 1      |      |
| 15039     | 1      |      |
| 15040     | 1      |      |
| 15041     | 1      |      |
| 15042     | 1      |      |
| 15043     | 1      |      |
| 15044     | 1      |      |
| 15046     | 1      | 10   |
| 15047     | 1      | 10   |
| 15048     | 1      |      |
| 15049     | 1      |      |
| 15050     | 1      |      |
| 15051     | 1      |      |
| 15052     | 1      | 10   |
| 15055     | 1      | 10   |
| 15057     | 1      |      |
| 15058     | 1      | 10   |
| 15059     | 1      |      |
| 15069     | 1      |      |
| 15071     | 1      | 10   |
| 15092     | 1      | 10   |
| 15101     | 1      | 10   |
| 15102     | 1      |      |
| 15103     | 1      | 10   |
| 15104     | 1      |      |
| 15105     | 1      |      |
| 15106     | 1      | 10   |
| 15107     | 1      | 10   |
| 15108     | 1      |      |
| 15109     | 1      | 10   |
| 15111     | 1      |      |

**DESIGN MAKES  
THE DIFFERENCE**

# Packaging Options

Add a dash (-) after the base number to indicate quantity.

i.e. 15485-1 (1 per box), 16828-10 (10 bulk), 16207-25 (25 bulk)

| ni Number | Indv. Packed | Bulk   |
|-----------|--------------|--------|
| 15112     | 1            |        |
| 15113     | 1            | 10     |
| 15114     | 1            |        |
| 15115     | 1            |        |
| 15116     | 1            |        |
| 15120     | 1            |        |
| 15121     | 1            |        |
| 15123     | 1            |        |
| 15126     | 1            | 10     |
| 15127     | 1            |        |
| 15130     | 1            | 10     |
| 15131     | 1            | 10     |
| 15132     | 1            | 10, 50 |
| 15133     | 1            | 10     |
| 15134     | 1            | 10     |
| 15195A    | 1            |        |
| 15320     | 1            | 10     |
| 15321     | 1            | 10     |
| 15322     | 1            | 10     |
| 15323     | 1            | 10     |
| 15324     | 1            |        |
| 15325     | 1            | 10     |
| 15326     | 1            | 10     |
| 15327     | 1            | 10     |
| 15328     | 1            |        |
| 15329     | 1            |        |
| 15330     | 1            | 10     |
| 15331     | 1            | 10     |
| 15334     | 1            | 10     |
| 15337     | 1            |        |
| 15338     | 1            |        |
| 15340     | 1            |        |
| 15350     | 1            | 10     |
| 15351     | 1            | 10     |
| 15353     | 1            | 10     |
| 15389     | 1            | 10     |
| 15390     | 1            | 10     |
| 15397     | 1            | 10, 50 |
| 15484     | 1            | 10     |
| 15485     | 1            | 10     |
| 15486     | 1            |        |
| 15487     | 1            | 10     |
| 15488     | 1            | 10     |
| 15489     | 1            | 10     |
| 15490     | 1            | 10     |
| 15492     | 1            | 10     |
| 15496     | 1            | 10     |
| 15498     | 1            | 10     |
| 15500     | 1            | 10     |
| 15501     | 1            | 10     |
| 15503     | 1            | 10     |
| 15505     | 1            | 10     |

| ni Number | Indv. Packed | Bulk            |
|-----------|--------------|-----------------|
| 15506     | 1            |                 |
| 15507     | 1            | 10              |
| 15509     | 1            | 10              |
| 15512     | 1            |                 |
| 15514     | 1            | 10              |
| 15515     | 1            |                 |
| 15900     | 1            |                 |
| 15901     | 1            |                 |
| 15902     | 1            |                 |
| 15903     | 1            |                 |
| 16204     | 1            | 25              |
| 16206     | 1            | 10, 25          |
| 16207     | 1            | 10, 25          |
| 16209     | 1            | 10              |
| 16210     | 1            | 10, 25          |
| 16211     | 1            |                 |
| 16213     | 1            | 25              |
| 16214     | 1            | 10              |
| 16215     | 1            |                 |
| 16216     | 1            | 10, 100         |
| 16217     | 1            |                 |
| 16218     | 1            | 10, 100         |
| 16219     | 1            | 10, 25, 100     |
| 16220     | 1            | 25              |
| 16221     | 1            | 10              |
| 16222     | 1            | 10, 25          |
| 16223     | 1            | 10              |
| 16224     | 1            |                 |
| 16228     | 1            | 10, 25, 50, 100 |
| 16229     | 1            |                 |
| 16231     | 1            |                 |
| 16232     | 1            | 25              |
| 16233     | 1            | 10              |
| 16234     | 1            |                 |
| 16243     | 1            | 10              |
| 16244     | 1            |                 |
| 16246     | 1            | 10              |
| 16247     | 1            |                 |
| 16248     | 1            |                 |
| 16259     | 1            |                 |
| 16269     | 1            | 10              |
| 16270     | 1            |                 |
| 16271     | 1            |                 |
| 16272     | 1            |                 |
| 16273     | 1            | 10              |
| 16600     | 1            | 10, 25          |
| 16602     | 1            | 10, 25          |
| 16604     | 1            |                 |
| 16605     | 1            |                 |
| 16606     | 1            |                 |
| 16611     | 1            | 10              |
| 16704     | 1            | 10, 25          |

| ni Number | Indv. Packed | Bulk    |
|-----------|--------------|---------|
| 16707     | 1            |         |
| 16712     | 1            | 10, 25  |
| 16713     | 1            | 10      |
| 16720     | 1            | 10      |
| 16802     | 1            | 10      |
| 16806     | 1            | 10      |
| 16815     | 1            |         |
| 16825     | 1            | 10      |
| 16826     | 1            | 10      |
| 16827     | 1            | 10      |
| 16828     | 1            | 10, 100 |
| 16846     | 1            | 10      |
| 18192     | 1            |         |
| 18194     | 1            |         |
| 18195     | 1            |         |
| 18196A    | 1            |         |
| 18201     | 1            |         |
| 18202     | 1            |         |
| 18203     | 1            |         |
| 18304     | 1            |         |
| 18305     | 1            |         |
| 18306     | 1            |         |
| 18307     | 1            |         |
| 18309     | 1            |         |
| 18310     | 1            |         |
| 18311     | 1            |         |
| 18313     | 1            |         |
| 18314     | 1            |         |
| 18315     | 1            |         |
| 18316     | 1            |         |
| 18317     | 1            |         |
| 18318     | 1            |         |
| 18319     | 1            |         |
| 18534     | 1            |         |
| 18535     | 1            |         |
| 18536     | 1            |         |
| 18537     | 1            |         |
| 18538     | 1            |         |
| 18539     | 1            |         |
| 1913404BI | 1            |         |
| 1913404NI | 1            |         |
| 1913406BI | 1            |         |
| 1913406NI | 1            |         |
| 1913408BI | 1            |         |
| 1913408NI | 1            |         |
| 1913410BI | 1            |         |
| 1913410NI | 1            |         |
| 1920004BI | 1            |         |
| 1920004NI | 1            |         |
| 1920006BI | 1            |         |
| 1920006NI | 1            |         |
| 1920008BI | 1            |         |

**DESIGN MAKES THE DIFFERENCE**



# Packaging Options

Add a dash (-) after the base number to indicate quantity.

i.e. 21140-**1** (1 per box), 20870-**10** (10 bulk), 25361-**50** (50 bulk)

| ni Number | Indv.  |      |
|-----------|--------|------|
|           | Packed | Bulk |
| 1920008NI | 1      |      |
| 1920010BI | 1      |      |
| 1920010NI | 1      |      |
| 1922504BI | 1      |      |
| 1922504NI | 1      |      |
| 1922506BI | 1      |      |
| 1922506NI | 1      |      |
| 1922508BI | 1      |      |
| 1922508NI | 1      |      |
| 1922510BI | 1      |      |
| 1922510NI | 1      |      |
| 1925004BI | 1      |      |
| 1925004NI | 1      |      |
| 1925006BI | 1      |      |
| 1925006NI | 1      |      |
| 1925008BI | 1      |      |
| 1925008NI | 1      |      |
| 1925010BI | 1      |      |
| 1925010NI | 1      |      |
| 1930004BI | 1      |      |
| 1930004NI | 1      |      |
| 1930006BI | 1      |      |
| 1930006NI | 1      |      |
| 1930008BI | 1      |      |
| 1930008NI | 1      |      |
| 1930010BI | 1      |      |
| 1930010NI | 1      |      |
| 1935010BI | 1      |      |
| 1940008BI | 1      |      |
| 1940010BI | 1      |      |
| 1950008BI | 1      |      |
| 1950010BI | 1      |      |
| 20233     | 1      |      |
| 20235     | 1      |      |
| 20238     | 1      |      |
| 20240     | 1      |      |
| 20242     | 1      |      |
| 20273     | 1      |      |
| 20521     | 1      | 10   |
| 20522     | 1      | 10   |
| 20608     | 1      |      |
| 20610     | 1      |      |
| 20708     | 1      | 10   |
| 20713     | 1      |      |
| 20714     | 1      |      |
| 20715     | 1      |      |
| 20823     | 1      | 10   |
| 20824     | 1      | 10   |
| 20839     | 1      |      |
| 20843     | 1      |      |
| 20844     | 1      |      |
| 20845     | 1      |      |

| ni Number | Indv.  |         |
|-----------|--------|---------|
|           | Packed | Bulk    |
| 20847     | 1      |         |
| 20853     | 1      |         |
| 20855     | 1      |         |
| 20856     | 1      |         |
| 20858     | 1      |         |
| 20860     | 1      |         |
| 20862     | 1      |         |
| 20869     | 1      |         |
| 20870     | 1      | 10      |
| 20875     | 1      |         |
| 20876     | 1      |         |
| 20877     | 1      |         |
| 20878     | 1      |         |
| 20879     | 1      |         |
| 21140     | 1      | 50      |
| 21141     | 1      | 50      |
| 21145     |        | 50      |
| 21146     |        | 50      |
| 21147     |        | 100     |
| 21150     |        | 50, 100 |
| 21154     |        | 50      |
| 21159     | 1      | 100     |
| 21160     |        | 50      |
| 21161     |        | 50      |
| 21200     | 1      | 25, 50  |
| 21201     |        | 10      |
| 21202     |        | 10      |
| 21203     |        | 10      |
| 21211     | 1      |         |
| 21212     | 1      |         |
| 21252     | 1      |         |
| 21255     | 1      |         |
| 21711     | 1      |         |
| 21800     | 1      |         |
| 21801     | 1      |         |
| 21805     | 1      |         |
| 22170     |        | 50      |
| 22170HD   |        | 25      |
| 22171     |        | 50      |
| 22171HD   |        | 25      |
| 22345     |        | 50      |
| 22345HD   |        | 25      |
| 22346     |        | 50      |
| 22346HD   |        | 25      |
| 22347     |        | 50      |
| 22347HD   |        | 25      |
| 22348     |        | 50      |
| 22348HD   |        | 25      |
| 22349     |        | 50      |
| 22349HD   |        | 25      |
| 22533     |        | 50      |
| 22533HD   |        | 25      |

| ni Number | Indv.  |                 |
|-----------|--------|-----------------|
|           | Packed | Bulk            |
| 22534     |        | 50              |
| 22534HD   |        | 25              |
| 22535     |        | 50              |
| 22535HD   |        | 25              |
| 22536     |        | 50              |
| 22536HD   |        | 25              |
| 22537     |        | 50              |
| 22537HD   |        | 25              |
| 22545     |        | 50              |
| 22545HD   |        | 25              |
| 22546HD   |        | 25              |
| 23170     |        | 10              |
| 23170HD   |        | 25              |
| 23171     |        | 50              |
| 23171HD   |        | 25              |
| 23172     |        | 50              |
| 23172HD   |        | 25              |
| 23345     |        | 50              |
| 23345HD   |        | 25              |
| 23346     |        | 50              |
| 23346HD   |        | 25              |
| 23348     |        | 50              |
| 23348HD   |        | 25              |
| 23349     |        | 50              |
| 23349HD   |        | 25              |
| 23539     |        | 50              |
| 23539HD   |        | 25              |
| 23542     |        | 50              |
| 23542HD   |        | 25              |
| 23548     |        | 50              |
| 23548HD   |        | 25              |
| 25180     |        | 10              |
| 25182     |        | 10              |
| 25183     |        | 10              |
| 25184     |        | 10              |
| 25185     |        | 10              |
| 25186     |        | 10              |
| 25186     |        | 10              |
| 25262     |        | 10              |
| 25266     |        | 25              |
| 25350     |        | 10, 25          |
| 25351     |        | 25              |
| 25352     |        | 10, 25          |
| 25353     |        | 10, 25          |
| 25357     |        | 10, 25          |
| 25358     |        | 50              |
| 25359     |        | 10, 25          |
| 25361     |        | 10, 25, 50, 100 |
| 25362     |        | 10, 25          |
| 25364     |        | 10              |
| 25365     |        | 50              |
| 25366     |        | 10, 25          |
| 25367     |        | 10, 25, 50, 100 |

**DESIGN MAKES  
THE DIFFERENCE**

# Packaging Options

Add a dash (-) after the base number to indicate quantity.

i.e. 26156-1 (1 per box), 27818-10 (10 per box), 52172HD-25 (25 per box)

| ni Number | Indv.  |                 |
|-----------|--------|-----------------|
|           | Packed | Bulk            |
| 25368     |        | 10, 25          |
| 25369     |        | 25, 50, 100     |
| 25373     |        | 25              |
| 25374     |        | 20, 25          |
| 25377     |        | 10, 25          |
| 25379     |        | 10, 25          |
| 25380     |        | 10, 25, 50, 100 |
| 25382     |        | 10, 25          |
| 25384     |        | 10, 25          |
| 25385     |        | 25              |
| 25386     | 1      | 10, 50          |
| 25387     |        | 10, 25          |
| 25388     |        | 10, 25          |
| 25390     |        | 10              |
| 25391     |        | 10              |
| 25392     |        | 10              |
| 25393     |        | 10              |
| 25400     |        | 10, 25          |
| 25480     |        | 10              |
| 25481     |        | 10              |
| 25482     |        | 10              |
| 26155     | 1      | 10              |
| 26156     | 1      |                 |
| 26230     | 1      |                 |
| 26607     | 1      |                 |
| 26701     | 1      |                 |
| 26702     | 1      |                 |
| 26703     | 1      |                 |
| 26705     | 1      |                 |
| 26706     | 1      |                 |
| 26804     | 1      |                 |
| 26807     | 1      | 10              |
| 26809     | 1      |                 |
| 26810     | 1      |                 |
| 26812     | 1      |                 |
| 26813     | 1      |                 |
| 26817     | 1      |                 |
| 26820     | 1      |                 |
| 26821     | 1      |                 |
| 26834     | 1      |                 |
| 26842     | 1      |                 |
| 26849     | 1      |                 |
| 27142     |        | 10, 100         |
| 27143     | 1      | 50, 100         |
| 27148     |        | 50              |
| 27151     |        | 10, 50          |
| 27152     |        | 10, 50, 100     |
| 27153     |        | 50              |
| 27154     | 1      |                 |
| 27155     |        | 10, 100         |
| 27156     |        | 10              |
| 27159     |        | 50              |
| 27160     |        | 10, 25, 50      |
| 27161     |        | 10, 25, 50      |

| ni Number | Indv.  |            |
|-----------|--------|------------|
|           | Packed | Bulk       |
| 27162     | 1      | 10         |
| 27163     | 1      |            |
| 27164     |        | 10, 50     |
| 27165     | 1      |            |
| 27166     |        | 10, 50     |
| 27181     |        | 10         |
| 27211     |        | 10         |
| 27212     |        | 10         |
| 27226     |        | 10, 50     |
| 27236     | 1      |            |
| 27237     | 1      |            |
| 27239     | 1      |            |
| 27510     |        | 10, 50     |
| 27601     | 1      |            |
| 27717     | 1      |            |
| 27803     | 1      | 10, 25     |
| 27808     | 1      | 10         |
| 27814     | 1      | 10         |
| 27818     | 1      | 10, 100    |
| 27822     | 1      | 10, 25, 50 |
| 27829     | 1      |            |
| 27830     | 1      |            |
| 27831     | 1      |            |
| 27832     | 1      |            |
| 27833     | 1      |            |
| 27835     | 1      |            |
| 27836     | 1      |            |
| 27837     | 1      |            |
| 27838     | 1      |            |
| 27840     | 1      |            |
| 27841     | 1      | 25         |
| 27848     | 1      |            |
| 27861     |        | 50         |
| 29149     | 1      |            |
| 29169     | 1      |            |
| 29177     | 1      |            |
| 29192     | 1      |            |
| 29193     | 1      |            |
| 29198     | 1      |            |
| 29199     | 1      |            |
| 29333     | 1      |            |
| 29339     | 1      |            |
| 29340     | 1      |            |
| 29341     | 1      |            |
| 31965     | 1      |            |
| 31966     | 1      |            |
| 31967     | 1      |            |
| 31968     | 1      |            |
| 31969     | 1      |            |
| 31970     | 1      |            |
| 31971     | 1      |            |
| 31972     | 1      |            |
| 31975     | 1      |            |
| 33552     |        | 50         |

| ni Number  | Indv.  |          |
|------------|--------|----------|
|            | Packed | Bulk     |
| 35178      |        | 100, 500 |
| 35179      |        | 100, 500 |
| 35245      |        | 100      |
| 35246      |        | 100      |
| 35252      |        | 100      |
| 35255      |        | 100      |
| 36190      | 1      |          |
| 36191      | 1      |          |
| 36290      | 1      |          |
| 36291      | 1      |          |
| 37512      |        | 10       |
| 37513      |        | 10       |
| 37514      |        | 10       |
| 37515      |        | 10       |
| 37516      |        | 10       |
| 42006      |        | 12       |
| 42016      |        | 12       |
| 43553      |        | 50       |
| 43553HD    |        | 25       |
| 46241      | 1      |          |
| 48200      | 1      | 10       |
| 48200E     | 1      |          |
| 48212      | 1      |          |
| 48214      | 1      |          |
| 49331      | 1      |          |
| 49336      | 1      |          |
| 52172      |        | 50       |
| 52172HD    |        | 25       |
| 52173      |        | 50       |
| 52173HD    |        | 25       |
| 52174      |        | 50       |
| 52174HD    |        | 25       |
| 52555      |        | 50       |
| 52555HD    |        | 25       |
| 52561      |        | 50       |
| 52561HD    |        | 25       |
| 53172      |        | 50       |
| 53172HD    |        | 25       |
| 53173      |        | 50       |
| 53173HD    |        | 25       |
| 53174      |        | 50       |
| 53174HD    |        | 25       |
| 53558      |        | 50       |
| 53558HD    |        | 25       |
| 53564      |        | 50       |
| 53564HD    |        | 25       |
| 5512125    |        | 5        |
| 5518150    |        | 5, 100   |
| 5518150A   |        | 5        |
| 5518150ASS |        | 5        |
| 5518150R   |        | 5, 100   |
| 5518150RSS |        | 5        |
| 5518150SS  | 5      | 5        |
| 5718150    |        | 5, 100   |

Clamps listed by: Type (Heavy, Standard, Specialty), Finish (Regular, Zinc Plated, Stainless Steel), Style

# Clamps



**DESIGN MAKES  
THE DIFFERENCE**

# Muffler Clamps - Heavy Duty

## HEAVY DUTY GM STYLE SADDLE, 3/8" U-BOLT WITH FLANGE NUTS

| Size   | ni Number<br>(Bulk 50) | ni Number<br>(Indv Boxed 50) | ni Number<br>(10 Pack Indv Boxed<br>50 Per Box) | Item Number<br>(Bulk 100) | Item Number<br>(Indv Boxed 50) | Item Number<br>(10 Pack Indv Boxed<br>50 Per Box) |
|--------|------------------------|------------------------------|-------------------------------------------------|---------------------------|--------------------------------|---------------------------------------------------|
| 1-1/2" | 103112-50B             | 103112-50                    | 103112-10T                                      | 180                       | 80                             | 85080                                             |
| 1-3/4" | 103134-50B             | 103134-50                    | 103134-10T                                      | 182                       | 82                             | 85082                                             |
| 1-7/8" | 103178-50B             | 103178-50                    | 103178-10T                                      | 183                       | 83                             | 85083                                             |
| 2"     | 103200-50B             | 103200-50                    | 103200-10T                                      | 184                       | 84                             | 85084                                             |
| 2-1/8" | 103218-50B             | 103218-50                    | 103218-10T                                      | 185                       | 85                             | 85085                                             |
| 2-1/4" | 103214-50B             | 103214-50                    | 103214-10T                                      | 186                       | 86                             | 85086                                             |
| 2-1/2" | 103212-50B             | 103212-50                    | 103212-10T                                      | 187                       | 87                             | 85087                                             |
| 2-3/4" | 103234-50B             | 103234-50                    | 103234-10T                                      | 188                       |                                |                                                   |
| 3"     | 103300-50B             | 103300-50                    | 103300-10T                                      | 189                       | 89                             | 85089                                             |



## HEAVY DUTY SADDLE, ROUND HOLES, 3/8" U-BOLT WITH HEX NUTS

| Size   | ni Number<br>(Bulk 50) | ni Number<br>(Indv Boxed 50) | Item Number<br>(Bulk 50) | Item Number<br>(Indv Boxed 50) |
|--------|------------------------|------------------------------|--------------------------|--------------------------------|
| 1-1/2" | 106112-50B             | 106112-50                    | 1320                     | 20                             |
| 1-5/8" | 106158-50B             | 106158-50                    | 1327                     | 21                             |
| 1-3/4" | 106134-50B             | 106134-50                    | 1321                     | 22                             |
| 1-7/8" | 106178-50B             | 106178-50                    | 1322                     | 23                             |
| 2"     | 106200-50B             | 106200-50                    | 1323                     | 24                             |
| 2-1/8" | 106218-50B             | 106218-50                    | 1326                     | 25                             |
| 2-1/4" | 106214-50B             | 106214-50                    | 1324                     | 26                             |
| 2-1/2" | 106212-50B             | 106212-50                    | 1325                     | 27                             |
| 2-3/4" | 106234-50B             | 106234-50                    | 1328                     | 28                             |
| 3"     | 106300-50B             | 106300-50                    | 1329                     | 29                             |



**DESIGN MAKES  
THE DIFFERENCE**

# Muffler Clamps - Heavy Duty

## HEAVY DUTY SADDLE, SLOTTED HOLES, 3/8" U-BOLT WITH FLANGE NUTS

| Size   | ni Number<br>(Bulk 50) | ni Number<br>(Ind Boxed 50) | Item Number<br>(Bulk 50) | Item Number<br>(Indv Boxed 50) |
|--------|------------------------|-----------------------------|--------------------------|--------------------------------|
| 1-1/2" | 107112-50B             | 107112-50                   | 1312                     | 12                             |
| 1-3/4" | 107134-50B             | 107134-50                   | 1314                     | 14                             |
| 1-7/8" | 107178-50B             | 107178-50                   | 1315                     | 15                             |
| 2"     | 107200-50B             | 107200-50                   | 1316                     | 16                             |
| 2-1/4" | 107214-50B             | 107214-50                   | 1318                     | 18                             |
| 2-1/2" | 107212-50B             | 107212-50                   | 1319                     | 19                             |
| 3"     | 107300-50B             | 107300-50                   | 111                      | 11                             |



## HEAVY DUTY SADDLE, ROUND HOLES, 3/8" U-BOLT WITH FLANGE NUTS

| Size   | ni Number<br>(Bulk 50) | ni Number<br>(Bulk 10) | ni Number<br>(Indv Boxed 50) | ni Number<br>(Indv Boxed 10) | Item Number<br>(Bulk 50) | Item Number<br>(Indv Boxed 50) | Notes         |
|--------|------------------------|------------------------|------------------------------|------------------------------|--------------------------|--------------------------------|---------------|
| 1-1/2" | 108112-50B             |                        | 108112-50                    |                              | 1240                     |                                |               |
| 1-5/8" | 108158-50B             |                        | 108158-50                    |                              | 1241                     |                                |               |
| 1-3/4" | 108134-50B             |                        | 108134-50                    |                              | 1242                     |                                |               |
| 1-7/8" | 108178-50B             |                        | 108178-50                    |                              | 1243                     |                                |               |
| 2"     | 108200-50B             |                        | 108200-50                    |                              | 1244                     |                                |               |
| 2-1/8" | 108218-50B             |                        | 108218-50                    |                              | 1245                     |                                |               |
| 2-1/4" | 108214-50B             |                        | 108214-50                    |                              | 1246                     |                                |               |
| 2-1/2" | 108212-50B             |                        | 108212-50                    |                              | 1247                     |                                |               |
| 2-3/4" | 108234-50B             |                        | 108234-50                    |                              | 1248                     | 60                             |               |
| 3"     | 108300-50B             |                        | 108300-50                    |                              | 1249                     | 61                             |               |
| 3-1/4" |                        | 108314-10B             |                              | 108314-10                    |                          |                                | Square Saddle |
| 3-1/2" |                        | 108312-10B             |                              | 108312-10                    |                          | 63                             | Square Saddle |
| 4"     |                        | 108400-10B             |                              | 108400-10                    |                          | 65                             | Square Saddle |
| 4-1/2" |                        | 108412-10B             |                              | 108412-10                    |                          | 67                             | Square Saddle |
| 5"     |                        | 108500-10B             |                              | 108500-10                    |                          | 68                             | Square Saddle |
| 6"     |                        | 108600-10B             |                              | 108600-10                    |                          |                                | Square Saddle |



# Muffler Clamps - Heavy Duty Zinc Plated

## ZINC PLATED HEAVY DUTY SADDLE, SLOTTED HOLES, 3/8" U-BOLT WITH FLANGE NUTS

| Size   | ni Number<br>(Bulk 50) | ni Number<br>(Indv Boxed 50) |
|--------|------------------------|------------------------------|
| 1-1/2" | 107112P-50B            | 107112P-50                   |
| 1-3/4" | 107134P-50B            | 107134P-50                   |
| 1-7/8" | 107178P-50B            | 107178P-50                   |
| 2"     | 107200P-50B            | 107200P-50                   |
| 2-1/4" | 107214P-50B            | 107214P-50                   |
| 2-1/2" | 107212P-50B            | 107212P-50                   |
| 3"     | 107300P-50B            | 107300P-50                   |



## ZINC PLATED HEAVY DUTY SADDLE, ROUND HOLES, 3/8" U-BOLT WITH FLANGE NUTS

| Size   | ni Number<br>(Bulk 50) | ni Number<br>(Bulk 10) | ni Number<br>(Ind Boxed 10) | ni Number<br>(Indv Boxed 50) | Notes         |
|--------|------------------------|------------------------|-----------------------------|------------------------------|---------------|
| 1-1/2" | 108112P-50B            |                        |                             | 108112P-50                   |               |
| 1-5/8" | 108158P-50B            |                        |                             | 108158P-50                   |               |
| 1-3/4" | 108134P-50B            |                        |                             | 108134P-50                   |               |
| 1-7/8" | 108178P-50B            |                        |                             | 108178P-50                   |               |
| 2"     | 108200P-50B            |                        |                             | 108200P-50                   |               |
| 2-1/8" | 108218P-50B            |                        |                             | 108218P-50                   |               |
| 2-1/4" | 108214P-50B            |                        |                             | 108214P-50                   |               |
| 2-1/2" | 108212P-50B            |                        |                             | 108212P-50                   |               |
| 2-3/4" | 108234P-50B            |                        |                             | 108234P-50                   |               |
| 3"     | 108300P-50B            |                        |                             | 108300P-50                   |               |
| 3-1/4" |                        | 108314P-10B            | 108314P-10                  |                              | Square Saddle |
| 3-1/2" |                        | 108312P-10B            | 108312P-10                  |                              | Square Saddle |
| 4"     |                        | 108400P-10B            | 108400P-10                  |                              | Square Saddle |
| 4-1/2" |                        | 108412P-10B            | 108412P-10                  |                              | Square Saddle |
| 5"     |                        | 108500P-10B            | 108500P-10                  |                              | Square Saddle |
| 6"     |                        | 108600P-10B            | 108600P-10                  |                              | Square Saddle |



**DESIGN MAKES  
THE DIFFERENCE**

# Muffler Clamps - Heavy Duty Stainless Steel

## STAINLESS STEEL HEAVY DUTY SADDLE, SLOTTED HOLES, 3/8" U-BOLT WITH FLANGE NUTS

| Size   | ni Number<br>(Indv Boxed 10) |
|--------|------------------------------|
| 1-1/2" | 107112SS-10                  |
| 1-3/4" | 107134SS-10                  |
| 1-7/8" | 107178SS-10                  |
| 2"     | 107200SS-10                  |
| 2-1/4" | 107214SS-10                  |
| 2-1/2" | 107212SS-10                  |
| 3"     | 107300SS-10                  |



## STAINLESS STEEL HEAVY DUTY SADDLE, ROUND HOLES, 3/8" U-BOLT WITH HEX NUTS

| Size   | ni Number<br>(Indv Boxed 50) | ni Number<br>(Indv Boxed 20) | Item Number<br>(Indv Boxed 50) | Item Number<br>(Indv Boxed 20) | Notes         |
|--------|------------------------------|------------------------------|--------------------------------|--------------------------------|---------------|
| 1-1/2" | 1010112-50                   |                              | 100                            |                                |               |
| 1-5/8" | 1010158-50                   |                              | 99                             |                                |               |
| 1-3/4" | 1010134-50                   |                              | 101                            |                                |               |
| 1-7/8" | 1010178-50                   |                              | 102                            |                                |               |
| 2"     | 1010200-50                   |                              | 103                            |                                |               |
| 2-1/8" | 1010218-50                   |                              | 106                            |                                |               |
| 2-1/4" | 1010214-50                   |                              | 104                            |                                |               |
| 2-1/2" | 1010212-50                   |                              | 105                            |                                |               |
| 3"     | 1010300-50                   |                              | 107                            |                                |               |
| 3-1/2" |                              | 1010312-20                   |                                | 108                            | Square Saddle |
| 4"     |                              | 1010400-20                   |                                | 109                            | Square Saddle |
| 5"     |                              | 1010500-20                   |                                | 110                            | Square Saddle |



**DESIGN MAKES  
THE DIFFERENCE**

## STAINLESS STEEL HEAVY DUTY SADDLE, ROUND HOLES, 3/8" U-BOLT WITH FLANGE NUTS

| Size   | ni Number<br>(Indv Boxed 10) | Notes         |
|--------|------------------------------|---------------|
| 1-1/2" | 108112SS-10                  |               |
| 1-5/8" | 108158SS-10                  |               |
| 1-3/4" | 108134SS-10                  |               |
| 1-7/8" | 108178SS-10                  |               |
| 2"     | 108200SS-10                  |               |
| 2-1/8" | 108218SS-10                  |               |
| 2-1/4" | 108214SS-10                  |               |
| 2-1/2" | 108212SS-10                  |               |
| 2-3/4" | 108234SS-10                  |               |
| 3"     | 108300SS-10                  |               |
| 3-1/4" | 108314SS-10                  | Square Saddle |
| 3-1/2" | 108312SS-10                  | Square Saddle |
| 4"     | 108400SS-10                  | Square Saddle |
| 4-1/2" | 108412SS-10                  | Square Saddle |
| 5"     | 108500SS-10                  | Square Saddle |
| 6"     | 108600SS-10                  | Square Saddle |





# Muffler Clamps - Standard Duty

## STANDARD DUTY SADDLE, ROUND HOLES, 5/16" U-BOLT WITH HEX NUTS



| Size   | ni Number (Bulk 100) | ni Number (Indv Boxed 50) | Item Number (10 Pack Indv Boxed 50 Per Box) | Item Number (Bulk 100) | Item Number (Indv Boxed 100) | Item Number (10 Pack Indv Boxed 100 Per Box) |
|--------|----------------------|---------------------------|---------------------------------------------|------------------------|------------------------------|----------------------------------------------|
| 1-1/8" | 102118-100B          | 102118-50                 | 102118-10T                                  | 130                    | 30                           | 85030                                        |
| 1-1/4" | 102114-100B          | 102114-50                 | 102114-10T                                  | 131                    | 31                           | 85031                                        |
| 1-1/2" | 102112-100B          | 102112-50                 | 102112-10T                                  | 132                    | 32                           | 85032                                        |
| 1-5/8" | 102158-100B          | 102158-50                 | 102158-10T                                  | 133                    | 33                           | 85033                                        |
| 1-3/4" | 102134-100B          | 102134-50                 | 102134-10T                                  | 134                    | 34                           | 85034                                        |
| 1-7/8" | 102178-100B          | 102178-50                 | 102178-10T                                  | 135                    | 35                           | 85035                                        |
| 2"     | 102200-100B          | 102200-50                 | 102200-10T                                  | 136                    | 36                           | 85036                                        |
| 2-1/8" | 102218-100B          | 102218-50                 | 102218-10T                                  | 137                    | 37                           | 85037                                        |
| 2-1/4" | 102214-100B          | 102214-50                 | 102214-10T                                  | 138                    | 38                           | 85038                                        |
| 2-1/2" | 102212-100B          | 102212-50                 | 102212-10T                                  | 139                    | 39                           | 85039                                        |

## STANDARD DUTY SADDLE, ROUND HOLES, 5/16" U-BOLT WITH FLANGE NUTS



| Size   | ni Number (Bulk 50) | ni Number (Bulk 100) | ni Number (Indv Boxed 50) | ni Number (Indv Boxed 100) | Item Number (Bulk 100) |
|--------|---------------------|----------------------|---------------------------|----------------------------|------------------------|
| 1-1/8" | 104118-50B          | 104118-100B          | 104118-50                 | 104118-100                 |                        |
| 1-1/4" | 104114-50B          | 104114-100B          | 104114-50                 | 104114-100                 |                        |
| 1-1/2" | 104112-50B          | 104112-100B          | 104112-50                 | 104112-100                 | 1332                   |
| 1-5/8" | 104158-50B          | 104158-100B          | 104158-50                 | 104158-100                 | 1333                   |
| 1-3/4" | 104134-50B          | 104134-100B          | 104134-50                 | 104134-100                 | 1334                   |
| 1-7/8" | 104178-50B          | 104178-100B          | 104178-50                 | 104178-100                 | 1335                   |
| 2"     | 104200-50B          | 104200-100B          | 104200-50                 | 104200-100                 | 1336                   |
| 2-1/8" | 104218-50B          | 104218-100B          | 104218-50                 | 104218-100                 | 1337                   |
| 2-1/4" | 104214-50B          | 104214-100B          | 104214-50                 | 104214-100                 | 1338                   |
| 2-1/2" | 104212-50B          | 104212-100B          | 104212-50                 | 104212-100                 | 1339                   |



**DESIGN MAKES THE DIFFERENCE**

## STANDARD DUTY SADDLE, 5/16" U-BOLT WITH BIG NUTS (FITS 9/16" SOCKET)

| Size   | ni Number<br>(Bulk 100) | Item Number<br>(Bulk 100) |
|--------|-------------------------|---------------------------|
| 1-1/8" | 105118-100B             |                           |
| 1-1/4" | 105114-100B             |                           |
| 1-1/2" | 105112-100B             | 1232                      |
| 1-5/8" | 105158-100B             | 1233                      |
| 1-3/4" | 105134-100B             | 1234                      |
| 1-7/8" | 105178-100B             | 1235                      |
| 2"     | 105200-100B             | 1236                      |
| 2-1/8" | 105218-100B             | 1237                      |
| 2-1/4" | 105214-100B             | 1238                      |
| 2-1/2" | 105212-100B             | 1239                      |



## STANDARD DUTY SADDLE, 5/16" U-BOLT W/ HIGH STYLE FLANGE NUT (7/16" HIGH FOR USE WITH IMPACT SOCKETS)

| Size   | ni Number<br>(Bulk 100) |
|--------|-------------------------|
| 1-1/2" | 1014112-100B            |
| 1-3/4" | 1014134-100B            |
| 1-7/8" | 1014178-100B            |
| 2"     | 1014200-100B            |
| 2-1/4" | 1014214-100B            |
| 2-1/2" | 1014212-100B            |



## ZINC PLATED STANDARD DUTY SADDLE, ROUND HOLES, 5/16" U-BOLT WITH FLANGE NUTS

| Size   | ni Number<br>(Bulk 50) |
|--------|------------------------|
| 1-1/8" | 104118P-50B            |
| 1-1/4" | 104114P-50B            |
| 1-1/2" | 104112P-50B            |
| 1-5/8" | 104158P-50B            |
| 1-3/4" | 104134P-50B            |
| 1-7/8" | 104178P-50B            |
| 2"     | 104200P-50B            |
| 2-1/8" | 104218P-50B            |
| 2-1/4" | 104214P-50B            |
| 2-1/2" | 104212P-50B            |



## ZINC PLATED STANDARD DUTY SADDLE, 5/16" U-BOLT W/ HIGH STYLE FLANGE NUT (7/16" HIGH FOR USE WITH IMPACT SOCKETS)

| Size   | ni Number<br>(Bulk 50) |
|--------|------------------------|
| 1-1/2" | 1014112P-50B           |
| 1-3/4" | 1014134P-50B           |
| 1-7/8" | 1014178P-50B           |
| 2"     | 1014200P-50B           |
| 2-1/4" | 1014214P-50B           |
| 2-1/2" | 1014212P-50B           |



## AIR TUBE CLAMPS

| Size | ni Number<br>(Bulk 25) | Item Number<br>(Bulk 25) |
|------|------------------------|--------------------------|
| 1/2" | 102012-25B             | 300A                     |
| 3/4" | 102034-25B             | 301A                     |
| 5/8" | 102058-25B             | 302A                     |
| 1"   | 102100-25B             | 303A                     |



## TRUCK CLAMP HEAVY DUTY ZINC PLATED WITH FLAT U-BOLT, WELDED SADDLE AND FLANGE NUTS

| Size   | ni Number<br>(Bulk 10) | ni Number<br>(Ind Boxed 10) |
|--------|------------------------|-----------------------------|
| 2-3/4" | 1012234P-10B           | 1012234P-10                 |
| 3"     | 1012300P-10B           | 1012300P-10                 |
| 3-1/2" | 1012312P-10B           | 1012312P-10                 |
| 4"     | 1012400P-10B           | 1012400P-10                 |
| 4-1/2" | 1012412P-10B           | 1012412P-10                 |
| 5"     | 1012500P-10B           | 1012500P-10                 |
| 5-1/2" | 1012512P-10B           | 1012512P-10                 |
| 6"     | 1012600P-10B           | 1012600P-10                 |



## TRUCK CLAMP HEAVY DUTY WITH ROUND U-BOLT, WELDED SADDLE AND FLANGE NUTS

| Size   | ni Number<br>(Bulk 50) | ni Number<br>(Bulk 10) | ni Number<br>(Indv Boxed 10) | Item Number<br>(Indv Boxed 50) |
|--------|------------------------|------------------------|------------------------------|--------------------------------|
| 2-3/4" | 1013234-50B            | 1013234-10B            | 1013234-10                   | 260                            |
| 3"     | 1013300-50B            | 1013300-10B            | 1013300-10                   | 261                            |
| 3-1/4" |                        | 1013314-10B            | 1013314-10                   | 262                            |
| 3-1/2" |                        | 1013312-10B            | 1013312-10                   | 263                            |
| 4"     | 1013400-50B            | 1013400-10B            | 1013400-10                   | 265                            |
| 4-1/2" |                        | 1013412-10B            | 1013412-10                   | 267                            |
| 5"     |                        | 1013500-10B            | 1013500-10                   | 268                            |
| 6"     |                        | 1013600-10B            | 1013600-10                   |                                |



# Muffler Clamps - Specialty

## TRUCK CLAMP HEAVY DUTY ZINC PLATED WITH ROUND U-BOLT, WELDED SADDLE AND FLANGE NUTS

| Size   | ni Number<br>(Bulk 10) | ni Number<br>(Indv Boxed 10) |
|--------|------------------------|------------------------------|
| 2-3/4" | 1013234P-10B           | 1013234P-10                  |
| 3"     | 1013300P-10B           | 1013300P-10                  |
| 3-1/4" | 1013314P-10B           | 1013314P-10                  |
| 3-1/2" | 1013312P-10B           | 1013312P-10                  |
| 4"     | 1013400P-10B           | 1013400P-10                  |
| 4-1/2" | 1013412P-10B           | 1013412P-10                  |
| 5"     | 1013500P-10B           | 1013500P-10                  |
| 6"     | 1013600P-10B           | 1013600P-10                  |



## EASYSEAL® BY TORCA® STAINLESS STEEL

| Size   | ni Number<br>(Indv Boxed 10) |
|--------|------------------------------|
| 2"     | 1420                         |
| 2-1/4" | 1421                         |
| 2-1/2" | 1422                         |
| 2-3/4" | 1423                         |
| 3"     | 1424                         |
| 3-1/4" | 1425                         |
| 3-1/2" | 1426                         |
| 3-3/4" | 1427                         |
| 4"     | 1428                         |
| 4-1/2" | 1429                         |
| 5"     | 1430                         |
| 6"     | 1431                         |



## TORCTITE® PREFORMED BY TORCA® ALUMINIZED

## TORCTITE® PREFORMED BY TORCA® STAINLESS STEEL

| Size   | ni Number<br>(Indv Boxed 10) |
|--------|------------------------------|
| 2-1/2" | 1734                         |
| 2-3/4" | 1735                         |
| 3"     | 1736                         |
| 3-1/2" | 1737                         |
| 4"     | 1738                         |
| 4-1/2" | 1740                         |
| 5"     | 1739                         |



| Size   | ni Number<br>(Indv Boxed 10) |
|--------|------------------------------|
| 2"     | 1721                         |
| 2-1/4" | 1722                         |
| 2-1/2" | 1723                         |
| 2-3/4" | 1724                         |
| 3"     | 1725                         |
| 3-1/2" | 1726                         |
| 4"     | 1727                         |
| 4-1/2" | 1728                         |
| 5"     | 1729                         |
| 6"     | 1730                         |



**DESIGN MAKES  
THE DIFFERENCE**

## ACCUSEAL® BY TORCA® ALUMINIZED

| Size   | ni Number<br>(Indv Boxed 10) |
|--------|------------------------------|
| 2"     | 1661                         |
| 2-1/4" | 1662                         |
| 2-1/2" | 1663                         |
| 2-3/4" | 1664                         |
| 3"     | 1665                         |
| 3-1/2" | 1666                         |
| 4"     | 1667                         |
| 4-1/2" | 1668                         |
| 5"     | 1669                         |
| 6"     | 1670                         |



## ACCUSEAL® BY TORCA® STAINLESS STEEL (409)

| Size   | ni Number<br>(Indv Boxed 10) |
|--------|------------------------------|
| 1-3/4" | 460                          |
| 1-7/8" | 461                          |
| 2"     | 450                          |
| 2-1/4" | 451                          |
| 2-1/2" | 452                          |
| 2-3/4" | 453                          |
| 3"     | 454                          |
| 3-1/2" | 455                          |
| 4"     | 456                          |
| 4-1/2" | 457                          |
| 5"     | 458                          |
| 6"     | 459                          |

## ACCUSEAL® BY TORCA® STAINLESS STEEL (430 BRIGHT)

| Size   | ni Number<br>(Indv Boxed 10) |
|--------|------------------------------|
| 2"     | 1671                         |
| 2-1/4" | 1672                         |
| 2-1/2" | 1673                         |
| 2-3/4" | 1674                         |
| 3"     | 1675                         |
| 3-1/2" | 1676                         |
| 4"     | 1677                         |
| 4-1/2" | 1678                         |
| 5"     | 1679                         |
| 6"     | 1680                         |



# Flexible Tubing



**DESIGN MAKES  
THE DIFFERENCE**

# Flexible Tubing - Blank Ends

## BLANK ENDS NIFLEX WITH INNER BRAID

| ni Number | Item Number | Pipe Size | Flex Length | Overall Length |
|-----------|-------------|-----------|-------------|----------------|
| 1913404BI | 1900        | 1-3/4"    | 4"          | 4"             |
| 1913406BI | 1901        | 1-3/4"    | 6"          | 6"             |
| 1913408BI | 1902        | 1-3/4"    | 8"          | 8"             |
| 1913410BI | 1904        | 1-3/4"    | 10"         | 10"            |
| 1920004BI | 1906        | 2"        | 4"          | 4"             |
| 1920006BI | 1907        | 2"        | 6"          | 6"             |
| 1920008BI | 1908        | 2"        | 8"          | 8"             |
| 1920010BI | 1910        | 2"        | 10"         | 10"            |
| 1922504BI | 1922504BI   | 2-1/4"    | 4"          | 4"             |
| 1922506BI | 1913        | 2-1/4"    | 6"          | 6"             |
| 1922508BI | 1914        | 2-1/4"    | 8"          | 8"             |
| 1922510BI | 1916        | 2-1/4"    | 10"         | 10"            |
| 1925004BI | 1925004BI   | 2-1/2"    | 4"          | 4"             |
| 1925006BI | 1936        | 2-1/2"    | 6"          | 6"             |
| 1925008BI | 1937        | 2-1/2"    | 8"          | 8"             |
| 1925010BI | 1918        | 2-1/2"    | 10"         | 10"            |
| 1930004BI | 1930004BI   | 3"        | 4"          | 4"             |
| 1930006BI | 1933        | 3"        | 6"          | 6"             |
| 1930008BI | 1934        | 3"        | 8"          | 8"             |
| 1930010BI | 1935        | 3"        | 10"         | 10"            |
| 1935010BI | 1935010BI   | 5"        | 10"         | 10"            |
| 1940008BI | 1940008BI   | 4"        | 8"          | 8"             |
| 1940010BI | 1940010BI   | 4"        | 10"         | 10"            |
| 1950008BI | 1950008BI   | 5"        | 8"          | 8"             |
| 1950010BI | 1950010BI   | 5"        | 10"         | 10"            |



**DESIGN MAKES  
THE DIFFERENCE**



## NIFLEX WITH NIPPLE EXTENSIONS AND INNER BRAID

| ni Number | Item Number | Pipe Size | Flex Length | Overall Length |
|-----------|-------------|-----------|-------------|----------------|
| 1913404NI | 1919        | 1-3/4"    | 4"          | 8"             |
| 1913406NI | 1920        | 1-3/4"    | 6"          | 10"            |
| 1913408NI | 1921        | 1-3/4"    | 8"          | 12"            |
| 1913410NI | 1923        | 1-3/4"    | 10"         | 14"            |
| 1920004NI | 1925        | 2"        | 4"          | 8"             |
| 1920006NI | 1926        | 2"        | 6"          | 10"            |
| 1920008NI | 1927        | 2"        | 8"          | 12"            |
| 1920010NI | 1929        | 2"        | 10"         | 14"            |
| 1922504NI | 1939        | 2-1/4"    | 4"          | 8"             |
| 1922506NI | 1940        | 2-1/4"    | 6"          | 10"            |
| 1922508NI | 1941        | 2-1/4"    | 8"          | 12"            |
| 1922510NI | 1931        | 2-1/4"    | 10"         | 14"            |
| 1925004NI | 1942        | 2-1/2"    | 4"          | 8"             |
| 1925006NI | 1943        | 2-1/2"    | 6"          | 10"            |
| 1925008NI | 1944        | 2-1/2"    | 8"          | 12"            |
| 1925010NI | 1932        | 2-1/2"    | 10"         | 14"            |
| 1930004NI | 1945        | 3"        | 4"          | 8"             |
| 1930006NI | 1946        | 3"        | 6"          | 10"            |
| 1930008NI | 1947        | 3"        | 8"          | 12"            |
| 1930010NI | 1948        | 3"        | 10"         | 14"            |



# Flexible Tubing - Flexible Joint Repair System

This patented flexible joint repair system offers significant improvements over the more commonly used flex tubes or flex connectors. Each size has numerous applications reducing the need for costly inventory. It is currently being used as OE equipment of Chrysler Jeep, BMW and Ford Focus and is expected to be used on any number of 4x4 vehicles. This rugged joint provides near "zero leak" performance. If you are tired of dealing with comebacks for whistling, cracking or splitting, this is the answer, especially if you are making a repair on performance vehicles. The heart of the system is a spring loaded ball joint assembly with a high temperature spherical gasket that comes ready to install. It is available in a butt end design or with extensions that bring the overall length to 12". This allows installers to expand or contract the pipe to accommodate a variety of sizes. This is a strong, durable joint that can support the weight of the system in either the horizontal or vertical direction without the need for additional hangers.

- **Completely assembled**
- **Reduces backpressure**
- **Fits multiple sizes, reduces inventory.**

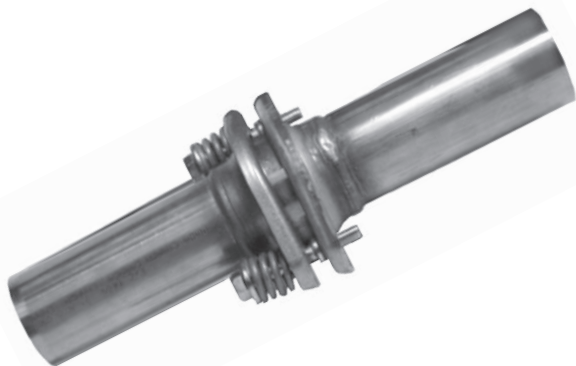


**U.S. Patent # 5,683,119**

The base system includes flanges with a high temperature "donut-style" gasket and spring loaded fasteners pre-assembled to the correct torque.

| ni Number | Item Number | Size   |            |
|-----------|-------------|--------|------------|
| 48200     | 1960        | 2"     |            |
| 48214     | 48214       | 2-1/4" | <b>NEW</b> |

## Flexible Joint Repair with Extensions



Extensions are made of 430 S/S tubing, 2". This provides for greater flexibility over a wider range of applications and allows the unit to be clamped or welded. The overall length is approximately 12".

| ni Number | Item Number | Size |
|-----------|-------------|------|
| 48200E    | 1961        | 2"   |

The system can be repaired economically by disassembling the unit and replacing the gasket. The fasteners are designed to provide the proper torque when fully tightened.

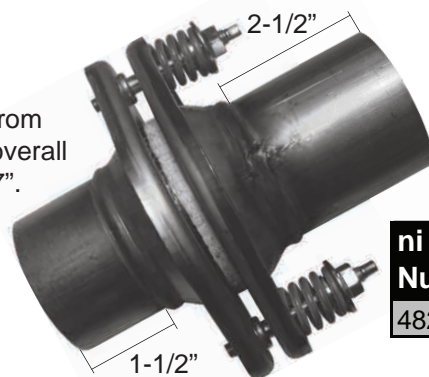


Shown Unassembled

Nickson Gasket Individually packaged.

| ni number | Item Number |
|-----------|-------------|
| 13426     | 12930       |

Repair system is made from 304 stainless steel, the overall length is approximately 7".



| ni Number | Item Number | Size   |            |
|-----------|-------------|--------|------------|
| 48212     | 48212       | 2-1/2" | <b>NEW</b> |

**DESIGN MAKES THE DIFFERENCE**

# Flexible Flange Repair Pipe

2000-02 Chevrolet Impala 3.4L  
 1999-03 Chevrolet Malibu 3.1L  
 1997-03 Chevrolet Monte Carlo 3.1L, 3.4L  
 1999-03 Pontiac Grand Prix 3.1L

**USES GASKET 13332**



**ni Number**

**31965**

**Item Number**

**1965**

1999-01 Oldsmobile Alero 2.4L  
 2002-04 Oldsmobile Alero 2.2L  
 1999-01 Pontiac Grand Am 2.4L  
 2002-04 Pontiac Grand Am 2.2L  
 2002-03 Chevrolet Cavalier 2.2L  
 1999-02 Chevrolet Cavalier 2.4L

**USES GASKET 13338**



**ni Number**

**31966**

**Item Number**

**1966**

1996-97 Chevrolet Truck S10 Pickup 2.2L  
 1996-97 GMC S15 Sonoma 2.2L  
 1996-97 Isuzu Hombre 2.2L

**USES GASKET 13327**



**ni Number**

**31967**

**Item Number**

**1967**

1998-03 Chevrolet Truck S10 2.2L  
 1998-03 GMC S15 Sonoma 2.2L  
 1998-03 Isuzu Hombre 2.2L

**USES GASKET 13328**



**ni Number**

**31968**

**Item Number**

**1968**

**DESIGN MAKES  
 THE DIFFERENCE**

# Flexible Flange Repair Pipe

1997-98 Buick Skylark 2.4L  
 1997-98 Chevrolet Cavalier, Malibu 2.4L  
 1997-98 Oldsmobile Achieva 2.4L  
 1997-98 Pontiac Grand Am, Sunfire 2.4L

**USES GASKET 13283**



**ni Number**  
**31969**

**Item Number**  
**1969**

2000 Chrysler 3.0L V6  
 1996-00 Dodge Caravan & Grand Caravan  
 3.0L 3.3L, 3.8L V6  
 1996-00 Plymouth Voyager & Grand Voyager  
 1996-00 3.0L 3.3L, 3.8L V6  
 Chrysler Town & Country 3.0L 3.3L, 3.8L V6

**USES GASKET 13293**



**ni Number**  
**31970**

**Item Number**  
**1970**

1995-03 Chrysler Cirrus, Sebring 2.4L, 2.5L  
 1995-03 Dodge Stratus 2.0L 2.4L, 2.5L  
 1998-00 Plymouth Breeze 2.0L, 2.4L  
 1999-03 Dodge Neon 2.0L, 2.4L

**USES GASKET 13357**



**ni Number**  
**31971**

**Item Number**  
**1971**

1995-00 Ford Contour 2.5L V6 w/ A.T  
 1995-00 Mercury Mystique 2.5L V6 w/ A.T

**USES GASKET 13308**



**ni Number**  
**31972**

**Item Number**  
**1972**

**DESIGN MAKES  
 THE DIFFERENCE**

# Flexible Flange Repair Pipe

1999-2005 Chevrolet Cavalier 2.2L  
(except 2.2L Eng. Code 4)  
2005-08 Chevrolet Cobalt 2.2L, 4cyl  
2006-07 Chevrolet HHR 2.2L & 2.4L, 4 cyl  
2007 Pontiac G5 2.2L & 2.4L, 4 cyl  
2003-07 Saturn Ion 2.2L  
2007 Saturn Ion 2.4L

**USES GASKET 13367**



**ni Number**

**31975**

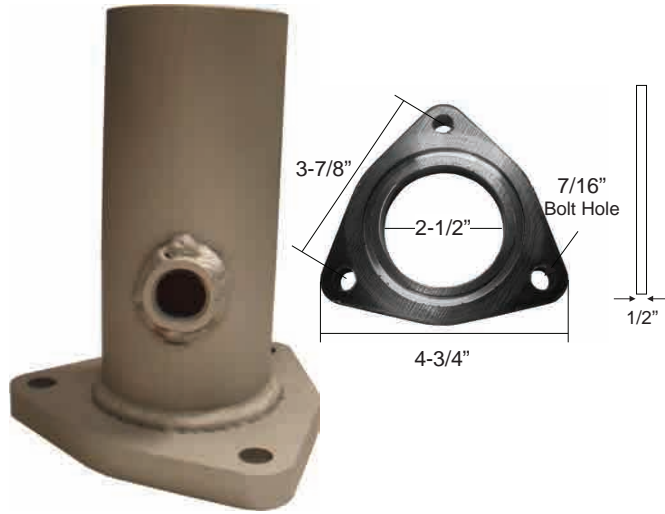
**Item Number**

**31975**

# Flange Repair Pipe

3 Bolt Flange With Pipe & O2 Sensor Bung  
 GM Trucks:  
 1999-2007 4.3L Right Side  
 1999-2007 4.8L & 5.3L Right Side  
 1999-2007 some 6.0L 8.1L Left/Right Side

**USES GASKET 13323 OR CRUSH RING 13329**

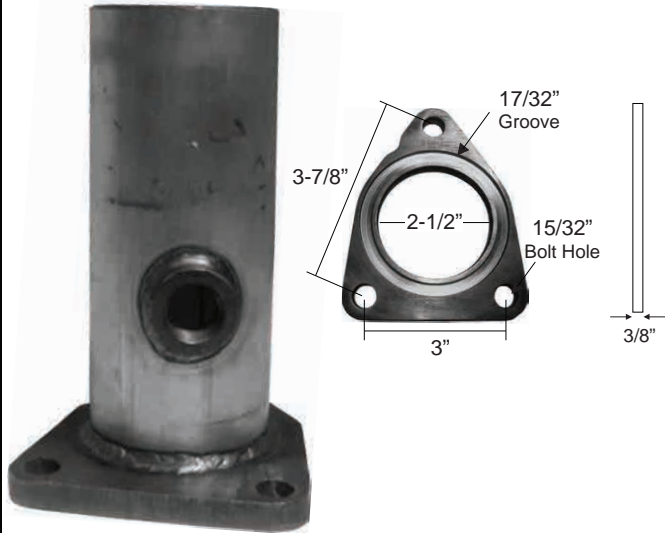


**ni Number**  
**15900**

**Item Number**  
**15900**

3 Bolt Flange With Pipe & O2 Sensor Bung  
 GM Trucks:  
 1999-2005 4.3L Left Side  
 1999-2001 4.8L & 5.3L Left Side

**USES GASKET 13323 OR CRUSH RING 13329**

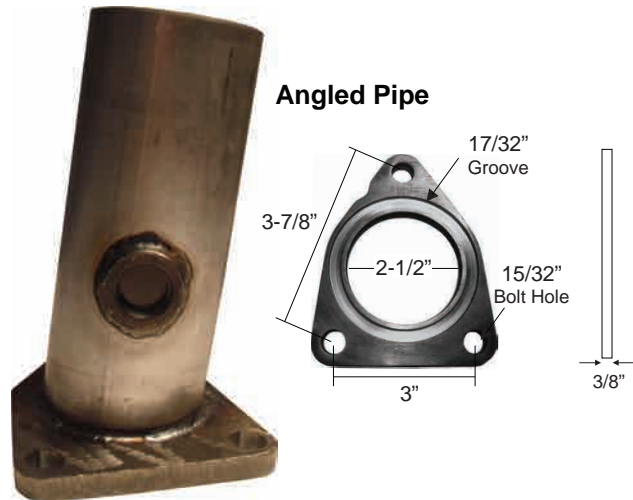


**ni Number**  
**15901**

**Item Number**  
**15901**

3 Bolt Flange With Pipe & O2 Sensor Bung  
 GM Trucks:  
 Mid 2007 & up 4.3L, 4.8L, & 5.3L Left Side  
 Mid 2007 & up 6.0L & 8.1L Left Side

**USES GASKET 13323 OR CRUSH RING 13329**



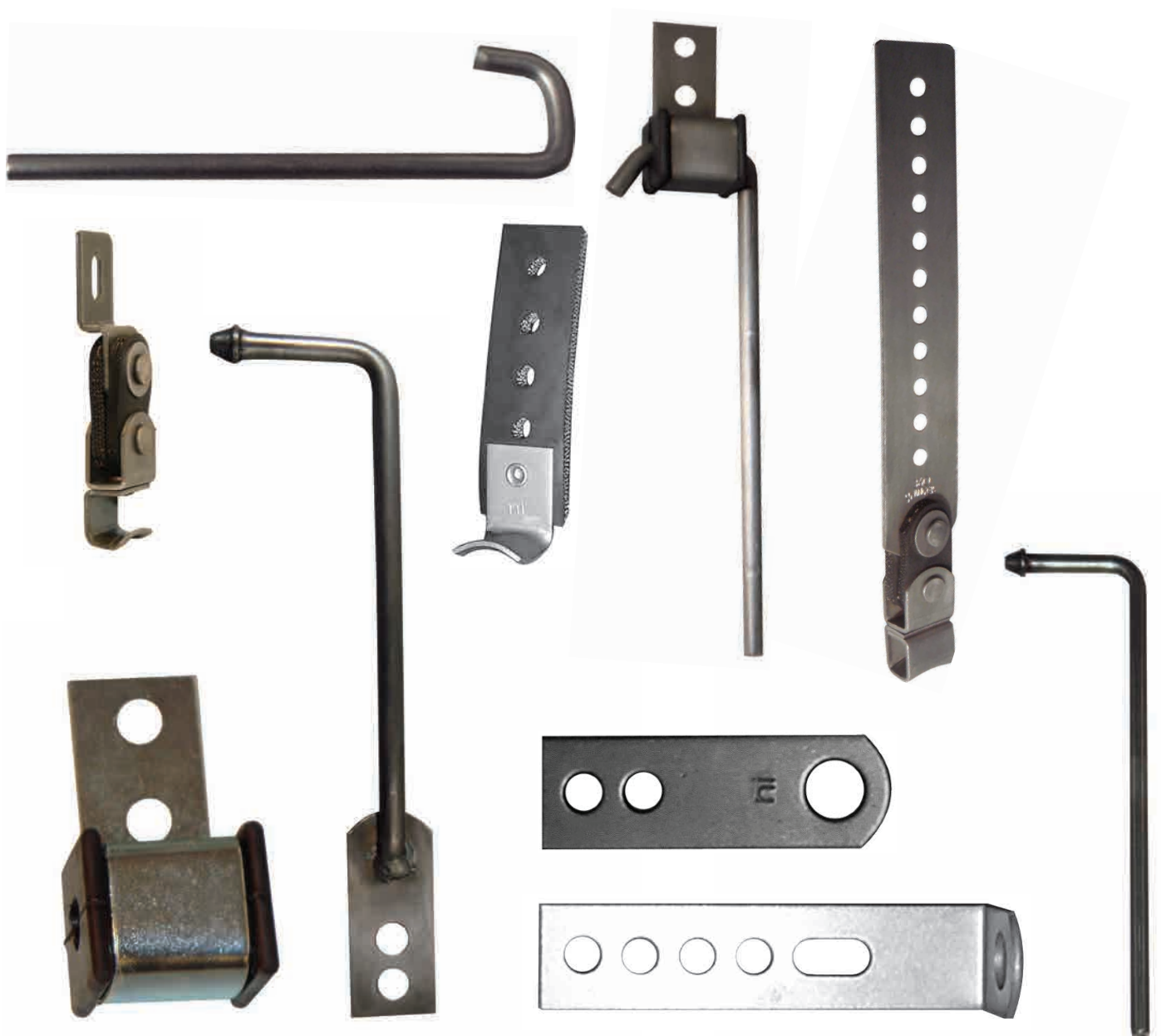
**Angled Pipe**

**ni Number**  
**15902**

**Item Number**  
**15902**

**DESIGN MAKES  
 THE DIFFERENCE**

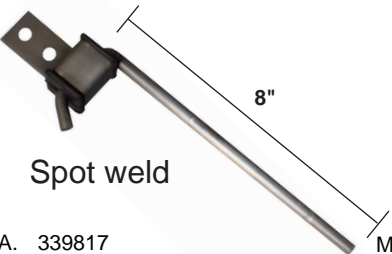
# Universal Hangers, Formed Wire & Metal Straps



**DESIGN MAKES  
THE DIFFERENCE**

# Swivel Hangers

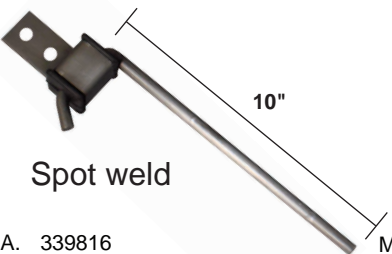
**11526** **526**



5/16" wire  
8"  
Spot weld

A. 339817 M. FW912  
R. BR92253 W. N/A

**11527** **527**

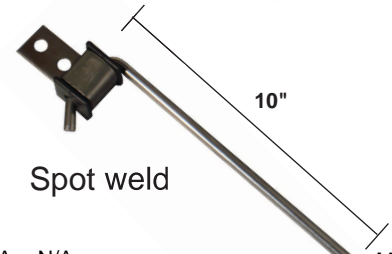


3/8" wire  
⚡ 45 Degrees  
10"  
Spot weld

A. 339816 M. FW913L  
R. BR92253HD W. N/A

**11527USA** **11527USA**

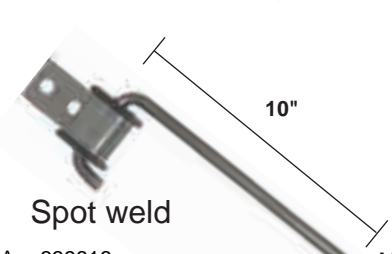
**Made in USA**  
3/8" wire  
45 Degrees



10"  
Spot weld

A. N/A M. N/A  
R. N/A W. N/A

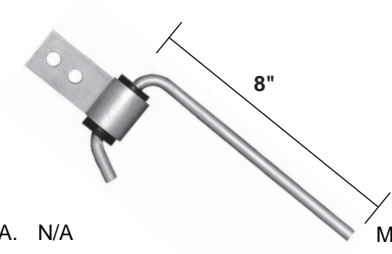
**11533** **11533**



3/8" wire  
⚡ 90 Degrees  
10"  
Spot weld

A. 339816 M. FW913L  
R. BR92253HD W. N/A

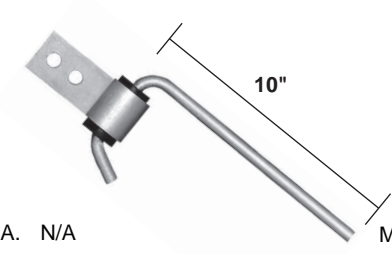
**11518** **518**



5/16" wire  
8"  
Spot weld

A. N/A M. N/A  
R. N/A W. N/A

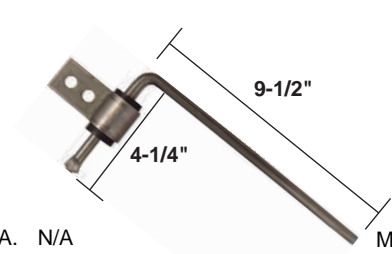
**11524** **524**



3/8" wire  
10"  
Spot weld

A. N/A M. N/A  
R. N/A W. N/A


**11525** **525**



3/8" wire  
9-1/2"  
4-1/4"  
Spot weld

A. N/A M. N/A  
R. N/A W. N/A


**11187** **11187**



3/8" wire  
Heavy Duty Strap  
Flat  
5"  
Spot weld

A. N/A M. N/A  
R. N/A W. N/A


**11188** **11188**



3/8" wire  
Heavy Duty Strap  
90 Degrees  
5"  
Spot weld

A. N/A M. N/A  
R. N/A W. N/A

**11189** **11189**



3/8" wire  
Heavy Duty Strap  
Flat  
8"  
Spot weld





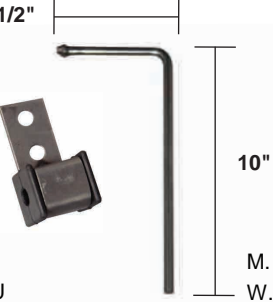



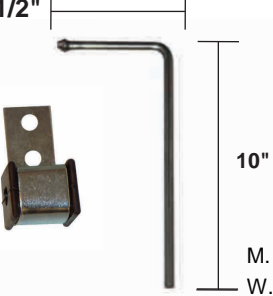

A. N/A M. N/A  
R. N/A W. N/A

A. AP/GOERLICH'S; M. MARWIL; R. ROL; W. WALKER

**DESIGN MAKES  
THE DIFFERENCE**



# Swivel Hangers

|                                                                                                                                                                                                                             |                                                                                                                                                                                                                               |
|-----------------------------------------------------------------------------------------------------------------------------------------------------------------------------------------------------------------------------|-------------------------------------------------------------------------------------------------------------------------------------------------------------------------------------------------------------------------------|
| <p><b>11190</b></p>  <p>3/8" wire<br/>Heavy Duty Strap<br/>90 Degrees</p> <p>8"</p> <p>A. N/A<br/>R. N/A</p> <p>M. N/A<br/>W. N/A</p>      | <p><b>11191</b></p>  <p>3/8" wire<br/>Heavy Duty Strap<br/>Flat</p> <p>10"</p> <p>A. N/A<br/>R. N/A</p> <p>M. N/A<br/>W. N/A</p>           |
| <p><b>11192</b></p>  <p>3/8" wire<br/>Heavy Duty Strap<br/>90 Degrees</p> <p>10"</p> <p>A. N/A<br/>R. UH425</p> <p>M. UH425<br/>W. N/A</p> | <p><b>11527U</b></p>  <p>3/8" wire</p> <p>2"</p> <p>10"</p> <p>A. 339819S<br/>R. FW913LU</p> <p>M. FW913LU<br/>W. N/A</p>                  |
| <p><b>11530U</b></p>  <p>3/8" wire</p> <p>3-1/2"</p> <p>10"</p> <p>A. N/A<br/>R. FW920LU</p> <p>M. FW920LU<br/>W. N/A</p>                 | <p><b>11529U</b></p>  <p>1/2" wire</p> <p>2"</p> <p>10"</p> <p>A. N/A<br/>R. FW902LU</p> <p>M. FW902LU<br/>W. N/A</p>                     |
| <p><b>11533U</b></p>  <p>1/2" wire</p> <p>3-1/2"</p> <p>10"</p> <p>A. N/A<br/>R. FW903LU</p> <p>M. FW903LU<br/>W. N/A</p>                | <p><b>11527UP</b></p>  <p>Zinc Plated<br/>3/8" wire</p> <p>2"</p> <p>10"</p> <p>A. N/A<br/>R. FW913LUP</p> <p>M. FW913LUP<br/>W. N/A</p> |
| <p><b>11530UP</b></p>  <p>Zinc Plated<br/>3/8" wire</p> <p>3-1/2"</p> <p>10"</p> <p>A. N/A<br/>R. N/A</p> <p>M. N/A<br/>W. N/A</p>       | <p><b>11529UP</b></p>  <p>Zinc Plated<br/>1/2" wire</p> <p>2"</p> <p>10"</p> <p>A. N/A<br/>R. N/A</p> <p>M. N/A<br/>W. N/A</p>           |

A. AP/GOERLICH'S; M. MARWIL; R. ROL; W. WALKER

**DESIGN MAKES  
THE DIFFERENCE**

# Swivel Hangers & Brackets

**11533UP** **11533UP**

3-1/2" **Zinc Plated**  
1/2" wire

10"

A. N/A  
R. N/A

M. N/A  
W. N/A

**11535** **11535**

3-1/2" **3/8" wire**

10"

A. N/A  
R. N/A

M. N/A  
W. N/A

**11519** **519**

A. N/A  
R. N/A

M. N/A  
W. N/A

**11528** **11528**

Use up to 3/8" wire

Spot weld

A. N/A  
R. BR92256

M. TPH1332B  
W. N/A

**11534** **11534**

Use 1/2" wire

Spot weld

A. N/A  
R. BR92927

M. TPH2927B  
W. N/A

**11528P** **11528P**

**Zinc Plated**  
Use up to 3/8" wire

Spot weld

A. N/A  
R. RMB256PW

M. RMB256PW  
W. N/A

**11534P** **11534P**

**Zinc Plated**  
Use up to 1/2" wire

Spot weld

A. N/A  
R. N/A

M. N/A  
W. N/A

**11375** **375**

Use up to 3/8" wire

A. N/A  
R. N/A

M. N/A  
W. N/A

**11376** **376**

Use up to 3/8" wire

A. N/A  
R. N/A

M. N/A  
W. N/A

**11375** **375**

Use up to 3/8" wire

A. N/A  
R. N/A

M. N/A  
W. N/A

A. AP/GOERLICH'S; M. MARWIL; R. ROL; W. WALKER

**DESIGN MAKES  
THE DIFFERENCE**

# Wire Forms

**25379** **25379**

3/8" wire

8" 2"

A. N/A M. N/A  
R. N/A W. N/A

**25373** **25373**

3/8" wire

10" 2"

A. N/A M. FW257  
R. BR92257 W. N/A

**25351** **25351**

3/8" wire

10" 3-1/2"

A. N/A M. FW920  
R. FW920 W. N/A

**25374** **25374**

1/2" wire

8" 2"

A. N/A M. FW901  
R. FW901 W. N/A

**25377** **25377**

1/2" wire

10" 2"

A. N/A M. FW902  
R. FW902 W. N/A

**25352** **25352**

1/2" wire

10" 3-1/2"

A. N/A M. FW903  
R. FW903 W. N/A

**25266** **25266**

3/8" wire

10" 2"

A. N/A M. FW888  
R. FW888 W. N/A

**25361** **361**

5/16" wire

6" 1-1/4"

A. 9970 M. FW003  
R. BR99003 W. 35004

**25367** **367**

5/16" wire

8" 1-1/4"

A. 339896 M. FW862  
R. BR91914 W. N/A

**25358** **25358**

5/16" wire

8" 2"

A. N/A M. N/A  
R. N/A W. N/A

A. AP/GOERLICH'S; M. MARWIL; R. ROL; W. WALKER

**DESIGN MAKES THE DIFFERENCE**

# Wire Forms

**25368** **368**

5/16" wire

10"

A. N/A M. N/A  
R. N/A W. N/A

**25369** **369**

5/16" wire

12"

A. N/A M. FW862L  
R. FW862L W. N/A

**25385** **25385**

5/16" wire

14"

A. N/A M. BR91914L  
R. BR91914L W. N/A

**25380** **25380**

3/8" wire

8"

A. N/A M. FW914  
R. BR92218 W. N/A

**25387** **25387**

3/8" wire

8-1/2"

2"

A. N/A M. FW250  
R. FW250 W. N/A

**25359** **25359**

3/8" wire  
90 Degrees

10"

2"

A. 339830 M. FW915  
R. FW915 W. N/A

**25350** **25350**

1/2" wire

8"

1-1/4"

A. N/A M. N/A  
R. BR92219 W. N/A

**25480** **25480**

Stainless Steel  
5/16" wire

8"

1-1/4"

A. N/A M. FW921  
R. BR92216 W. N/A

**25481** **25481**

Stainless Steel  
3/8" wire

8"

1-1/4"

A. N/A M. FW922  
R. BR92217 W. N/A

**25390** **25390**

3/8" wire

6"

A. N/A M. N/A  
R. N/A W. N/A

A. AP/GOERLICH'S; M. MARWIL; R. ROL; W. WALKER

**DESIGN MAKES  
THE DIFFERENCE**

# Wire Forms

|              |              |
|--------------|--------------|
| <b>25391</b> | <b>25391</b> |
| 3/8" wire    |              |
|              |              |
| 12"          |              |
| A. N/A       | M. FW251     |
| R. FW251     | W. N/A       |

|              |              |
|--------------|--------------|
| <b>25392</b> | <b>25392</b> |
| 1/2" wire    |              |
|              |              |
| 6"           |              |
| A. N/A       | M. FW205     |
| R. FW205     | W. N/A       |

|              |              |
|--------------|--------------|
| <b>25393</b> | <b>25393</b> |
| 1/2" wire    |              |
|              |              |
| 12"          |              |
| A. N/A       | M. FW215     |
| R. FW215     | W. N/A       |

|              |            |
|--------------|------------|
| <b>25365</b> | <b>365</b> |
| 5/16" wire   |            |
|              |            |
| 10"          |            |
| A. N/A       | M. N/A     |
| R. N/A       | W. N/A     |

|              |              |
|--------------|--------------|
| <b>25366</b> | <b>25366</b> |
| 5/16" wire   |              |
|              |              |
| 14"          |              |
| A. N/A       | M. FW882     |
| R. BR92167   | W. N/A       |

|              |              |
|--------------|--------------|
| <b>25357</b> | <b>25357</b> |
| 3/8" wire    |              |
|              |              |
| 14"          |              |
| A. N/A       | M. FW884     |
| R. BR92168   | W. N/A       |

|              |              |
|--------------|--------------|
| <b>25362</b> | <b>25362</b> |
| 1/2" wire    |              |
|              |              |
| 14"          |              |
| A. N/A       | M. FW885     |
| R. BR92169   | W. N/A       |

|              |              |
|--------------|--------------|
| <b>25262</b> | <b>25262</b> |
| 5/16" wire   |              |
|              |              |
| 5"           |              |
| A. 339998    | M. FW006     |
| R. BR99006   | W. N/A       |

|              |              |
|--------------|--------------|
| <b>25364</b> | <b>25364</b> |
| 5/16" wire   |              |
|              |              |
| 3"           | 1-3/8"       |
| 5"           |              |
| A. N/A       | M. FW857     |
| R. BR5257    | W. N/A       |

|              |              |
|--------------|--------------|
| <b>25382</b> | <b>25382</b> |
| 5/16" wire   |              |
|              |              |
| 2-7/8"       |              |
| 6"           |              |
| A. N/A       | M. FW848     |
| R. BR92224   | W. N/A       |

A. AP/GOERLICH'S; M. MARWIL; R. ROL; W. WALKER

**DESIGN MAKES THE DIFFERENCE**

# Wire Forms

|              |              |
|--------------|--------------|
| <b>25386</b> | <b>25386</b> |
| 5/16" wire   |              |
|              |              |
| A. 9939      | M. FW736     |
| R. BR736     | W. 35026     |

|              |              |
|--------------|--------------|
| <b>25388</b> | <b>25388</b> |
| 5/16" wire   |              |
|              |              |
| A. N/A       | M. FW710     |
| R. BR710     | W. N/A       |

|              |              |
|--------------|--------------|
| <b>25400</b> | <b>25400</b> |
| 5/16" wire   |              |
|              |              |
| A. N/A       | M. BR92250   |
| R. BR92250   | W. N/A       |

|              |              |
|--------------|--------------|
| <b>25482</b> | <b>25482</b> |
| 5/16" wire   |              |
|              |              |
| A. N/A       | M. FW004     |
| R. BR99004   | W. N/A       |

|              |              |
|--------------|--------------|
| <b>25353</b> | <b>25353</b> |
| 3/8" wire    |              |
|              |              |
| A. N/A       | M. FW897     |
| R. FW897     | W. N/A       |

|                        |              |
|------------------------|--------------|
| <b>25384</b>           | <b>25384</b> |
| 40 degree<br>3/8" wire |              |
|                        |              |
| A. N/A                 | M. FW915A    |
| R. FW876               | W. N/A       |

|                                       |              |
|---------------------------------------|--------------|
| <b>25180</b>                          | <b>25180</b> |
| 3/8" wire<br>Heavy Duty Strap<br>Flat |              |
|                                       |              |
| A. N/A                                | M. N/A       |
| R. N/A                                | W. N/A       |

|                                             |              |
|---------------------------------------------|--------------|
| <b>25182</b>                                | <b>25182</b> |
| 3/8" wire<br>Heavy Duty Strap<br>90 Degrees |              |
|                                             |              |
| A. N/A                                      | M. N/A       |
| R. N/A                                      | W. N/A       |



|                                       |              |
|---------------------------------------|--------------|
| <b>25183</b>                          | <b>25183</b> |
| 3/8" wire<br>Heavy Duty Strap<br>Flat |              |
|                                       |              |
| A. N/A                                | M. N/A       |
| R. N/A                                | W. N/A       |

|                                             |              |
|---------------------------------------------|--------------|
| <b>25184</b>                                | <b>25184</b> |
| 3/8" wire<br>Heavy Duty Strap<br>90 Degrees |              |
|                                             |              |
| A. N/A                                      | M. N/A       |
| R. N/A                                      | W. N/A       |

A. AP/GOERLICH'S; M. MARWIL; R. ROL; W. WALKER

**DESIGN MAKES  
THE DIFFERENCE**

# Wire Forms

| 25185                                                                                                                    | 25185                                                                                                                                                                                | 25186                                                                                                                        | 25186                                                                                                                                                                                          |
|--------------------------------------------------------------------------------------------------------------------------|--------------------------------------------------------------------------------------------------------------------------------------------------------------------------------------|------------------------------------------------------------------------------------------------------------------------------|------------------------------------------------------------------------------------------------------------------------------------------------------------------------------------------------|
|  <p data-bbox="467 285 506 310">10"</p> | <p data-bbox="578 205 831 310">3/8" wire<br/>Heavy Duty Strap<br/>Flat</p> <p data-bbox="168 432 250 487">A. N/A<br/>R. N/A</p> <p data-bbox="545 432 626 487">M. N/A<br/>W. N/A</p> |  <p data-bbox="1172 319 1211 344">10"</p> | <p data-bbox="1263 205 1516 310">3/8" wire<br/>Heavy Duty Strap<br/>90 Degrees</p> <p data-bbox="847 432 928 487">A. N/A<br/>R. N/A</p> <p data-bbox="1230 432 1312 487">M. N/A<br/>W. N/A</p> |
|                                                                                                                          |                                                                                                                                                                                      |                                                                                                                              |                                                                                                                                                                                                |
|                                                                                                                          |                                                                                                                                                                                      |                                                                                                                              |                                                                                                                                                                                                |
|                                                                                                                          |                                                                                                                                                                                      |                                                                                                                              |                                                                                                                                                                                                |
|                                                                                                                          |                                                                                                                                                                                      |                                                                                                                              |                                                                                                                                                                                                |

A. AP/GOERLICH'S; M. MARWIL; R. ROL; W. WALKER

**DESIGN MAKES  
THE DIFFERENCE**

# Universal Strap Hooks

|                                |              |
|--------------------------------|--------------|
| <b>37512</b>                   | <b>37512</b> |
|                                |              |
| <p>90 Degree<br/>3/8" Wire</p> |              |
| A. N/A                         | M. FW214     |
| R. BR92034                     | W. N/A       |

|                                |              |
|--------------------------------|--------------|
| <b>37513</b>                   | <b>00513</b> |
|                                |              |
| <p>90 Degree<br/>3/8" Wire</p> |              |
| A. N/A                         | M. FW016     |
| R. BR91934                     | W. N/A       |

|                                |              |
|--------------------------------|--------------|
| <b>37514</b>                   | <b>00514</b> |
|                                |              |
| <p>90 Degree<br/>3/8" Wire</p> |              |
| A. N/A                         | M. N/A       |
| R. N/A                         | W. N/A       |

|                                |              |
|--------------------------------|--------------|
| <b>37515</b>                   | <b>00515</b> |
|                                |              |
| <p>90 Degree<br/>3/8" Wire</p> |              |
| A. 8048B10                     | M. FW013     |
| R. BR91931                     | W. N/A       |

|                                 |              |
|---------------------------------|--------------|
| <b>37516</b>                    | <b>00516</b> |
|                                 |              |
| <p>180 Degree<br/>3/8" Wire</p> |              |
| A. 8047B10                      | M. FW014     |
| R. BR91932                      | W. N/A       |

|                                 |          |
|---------------------------------|----------|
|                                 |          |
| <p>180 Degree<br/>3/8" Wire</p> |          |
| A. 8047B10                      | M. FW014 |
| R. BR91932                      | W. N/A   |

A. AP/GOERLICH'S; M. MARWIL; R. ROL; W. WALKER

**DESIGN MAKES  
THE DIFFERENCE**



# 360 Hangers


**11071** **176A**  
**"mini" Open End Swinger**



A. 8236  
 R. BR689

M. BR689  
 W. 35027

**11176** **176**  
**"mini" Closed End Swinger**



A. 339860S  
 R. BR92247

M. TPH25B  
 W. N/A


**11079** **175E**  
**"Short" Open End Swinger**



A. N/A  
 R. BR92193

M. TPH36B  
 W. N/A


**11081** **175S**  
**"Short" Closed End Swinger**



A. 339994S  
 R. BR92170

M. TPH35B  
 W. N/A


**11078** **175A**  
**9-1/4" Open End Swinger**



A. N/A  
 R. BR92073

M. TPH073B  
 W. 35957


**11078P** **175AP**  
**9-1/4" Zinc Plated Open End Swinger**



A. N/A  
 R. BR92073P

M. TPH073BP  
 W. N/A


**11175** **175**  
**9-1/4" Closed End Swinger**



A. 8049  
 R. BR92172

M. TPH24B  
 W. N/A

**11175P** **175P**  
**9-1/4" Zinc Plated Closed End Swinger**



A. N/A  
 R. BR92172P

M. TPH172BP  
 W. N/A


**11181** **11181**  
**9-1/4" No Holes Closed End Swinger**



A. N/A  
 R. BR92226

M. TPH24B-BLANK  
 W. N/A

**11073** **11073**  
**13-1/4" Open End Swinger**



A. N/A  
 R. BR92242


M. TPH21MB  
 W. N/A

A. AP/GOERLICH'S; M. MARWIL; R. ROL; W. WALKER


**DESIGN MAKES THE DIFFERENCE**

# 360 Hangers


|                                   |            |
|-----------------------------------|------------|
| <b>11076</b>                      | <b>76</b>  |
| <b>13-1/4" Closed End Swinger</b> |            |
| A. 8052                           | M. TPH24MB |
| R. BR92241                        | W. N/A     |




|                                 |              |
|---------------------------------|--------------|
| <b>11072</b>                    | <b>11072</b> |
| <b>17-1/4" Open End Swinger</b> |              |
| A. N/A                          | M. TPH21LB   |
| R. BR92240                      | W. N/A       |



|                                   |            |
|-----------------------------------|------------|
| <b>11077</b>                      | <b>77</b>  |
| <b>17-1/4" Closed End Swinger</b> |            |
| A. 8051                           | M. TPH24LB |
| R. BR92239                        | W. N/A     |



|                                         |            |
|-----------------------------------------|------------|
| <b>11585</b>                            | <b>585</b> |
| <b>9-3/4" "MAXI" Closed End Swinger</b> |            |
| A. N/A                                  | M. N/A     |
| R. N/A                                  | W. N/A     |




|                                                  |             |
|--------------------------------------------------|-------------|
| <b>11588</b>                                     | <b>585N</b> |
| <b>9-3/4" "MAXI" No Holes Closed End Swinger</b> |             |
| A. N/A                                           | M. N/A      |
| R. N/A                                           | W. N/A      |




|                                          |            |
|------------------------------------------|------------|
| <b>11586</b>                             | <b>586</b> |
| <b>13-1/4" "MAXI" Closed End Swinger</b> |            |
| A. N/A                                   | M. N/A     |
| R. N/A                                   | W. N/A     |




|                                                   |             |
|---------------------------------------------------|-------------|
| <b>11589</b>                                      | <b>586N</b> |
| <b>13-1/4" "MAXI" No Holes Closed End Swinger</b> |             |
| A. N/A                                            | M. N/A      |
| R. N/A                                            | W. N/A      |




|                                          |            |
|------------------------------------------|------------|
| <b>11587</b>                             | <b>587</b> |
| <b>17-1/4" "MAXI" Closed End Swinger</b> |            |
| A. N/A                                   | M. N/A     |
| R. N/A                                   | W. N/A     |



|                                                   |             |
|---------------------------------------------------|-------------|
| <b>11590</b>                                      | <b>587N</b> |
| <b>17-1/4" "MAXI" No Holes Closed End Swinger</b> |             |
| A. N/A                                            | M. N/A      |
| R. N/A                                            | W. N/A      |



|                                 |           |
|---------------------------------|-----------|
| <b>11044</b>                    | <b>44</b> |
| <b>17-1/4" Open End Swinger</b> |           |
| A. 8301                         | M. TPH41  |
| R. BR100                        | W. 35008  |



A. AP/GOERLICH'S; M. MARWIL; R. ROL; W. WALKER


**DESIGN MAKES THE DIFFERENCE**


# Rubber Hangers


|                                                                                                 |                                                                                                    |
|-------------------------------------------------------------------------------------------------|----------------------------------------------------------------------------------------------------|
| <b>21211</b>                                                                                    | <b>21211</b>                                                                                       |
|  <p>5-1/2"</p> |  <p>3/8" Wire</p> |
| A. N/A<br>R. BR021                                                                              | M. TPH1030B<br>W. N/A                                                                              |


|                                                                                                            |                     |
|------------------------------------------------------------------------------------------------------------|---------------------|
| <b>21212</b>                                                                                               | <b>46</b>           |
|  <p>Hang-It-All Kit</p> |                     |
| A. 8046<br>R. BR027                                                                                        | M. RSH027<br>W. N/A |


|                                                                                                                   |                               |
|-------------------------------------------------------------------------------------------------------------------|-------------------------------|
| <b>21252</b>                                                                                                      | <b>21252</b>                  |
|  <p>3/8" Thick<br/>2"<br/>6"</p> | <p>M. RSH090<br/>W. 35022</p> |
| A. N/A<br>R. BR090                                                                                                |                               |


|                                                                                                                     |                               |
|---------------------------------------------------------------------------------------------------------------------|-------------------------------|
| <b>21255</b>                                                                                                        | <b>21255</b>                  |
|  <p>3/8" Thick<br/>2"<br/>7"</p> | <p>M. RSH091<br/>W. 35210</p> |
| A. N/A<br>R. BR091                                                                                                  |                               |


|                                                                                                                         |                               |
|-------------------------------------------------------------------------------------------------------------------------|-------------------------------|
| <b>21140</b>                                                                                                            | <b>140</b>                    |
|  <p>2-1/2"<br/>7/16" Thick<br/>8"</p> | <p>M. TPH81B<br/>W. 35883</p> |
| A. N/A<br>R. BR107U                                                                                                     |                               |

|                                                                                                                       |                               |
|-----------------------------------------------------------------------------------------------------------------------|-------------------------------|
| <b>21141</b>                                                                                                          | <b>141</b>                    |
|  <p>2"<br/>7/16" Thick<br/>8"</p> | <p>M. TPH91B<br/>W. 35398</p> |
| A. 9944S<br>R. BR107                                                                                                  |                               |

|                                                                                                                              |                               |
|------------------------------------------------------------------------------------------------------------------------------|-------------------------------|
| <b>21145</b>                                                                                                                 | <b>21145</b>                  |
|  <p>2-1/4"<br/>1/2" Thick<br/>8-9/16"</p> | <p>M. TPH92B<br/>W. 35418</p> |
| A. N/A<br>R. BR92243                                                                                                         |                               |

|                                                                                                                                |                          |
|--------------------------------------------------------------------------------------------------------------------------------|--------------------------|
| <b>21146</b>                                                                                                                   | <b>146</b>               |
|  <p>1-3/8"<br/>5/16" Thick<br/>7-1/4"</p> | <p>M. N/A<br/>W. N/A</p> |
| A. N/A<br>R. N/A                                                                                                               |                          |

|                                                                                                                        |                               |
|------------------------------------------------------------------------------------------------------------------------|-------------------------------|
| <b>21147</b>                                                                                                           | <b>147</b>                    |
|  <p>1-3/8"<br/>5/16"<br/>7-1/4"</p> | <p>M. TPH72B<br/>W. 36274</p> |
| A. 8020<br>R. BR104L                                                                                                   |                               |

|                                                                                                                         |                                |
|-------------------------------------------------------------------------------------------------------------------------|--------------------------------|
| <b>21150</b>                                                                                                            | <b>150</b>                     |
|  <p>1-1/2"<br/>1/2"<br/>5-3/4"</p> | <p>M. TPH71BXHD<br/>W. N/A</p> |
| A. 339801<br>R. BR104X                                                                                                  |                                |

A. AP/GOERLICH'S; M. MARWIL; R. ROL; W. WALKER

**DESIGN MAKES THE DIFFERENCE**

# Rubber Hangers

**21154** **21154**

A. N/A  
R. BR91927

M. TPH221B  
W. N/A

**21159** **21159**

A. 9933  
R. BR104

M. TPH71B  
W. 35315

**21160** **21160**

A. N/A  
R. BR92220

M. TPH211B  
W. N/A

**21161** **21161**

A. N/A  
R. BR91925

M. TPH925B  
W. N/A

**21200** **200**

A. 8556  
R. BR667

M. FEH667  
W. 35020

**21201** **201**

A. N/A  
R. N/A

M. N/A  
W. N/A

**21202** **202**

A. N/A  
R. N/A

M. N/A  
W. N/A

**21203** **203**

A. N/A  
R. N/A

M. N/A  
W. N/A

**21711** **711**

A. 8478  
R. BR371

M. BR371  
W. 35260

**21800** **800**

A. 8201  
R. BR876

M. TPH1036B  
W. N/A

A. AP/GOERLICH'S; M. MARWIL; R. ROL; W. WALKER

**DESIGN MAKES THE DIFFERENCE**

# Rubber Hangers & Grommets

**21801** **801**

3/8" Hole  
7-1/2"  
2"  
1/4" Thick

A. N/A  
R. BR357

M. TPH828B  
W. 35269

**21805** **805**

3/8" Hole  
9-1/4"  
1-5/8"  
5/16" Thick

A. 8204  
R. BR91973

M. TPH781B  
W. 35261

**35178** **178**

Rubber Grommet-Male

A. F5179  
R. BR016

M. GR95  
W. 35395

**35179** **179**

Rubber Grommet-Female

A. F5178  
R. BR015

M. GR96  
W. 35394

**35245** **245**

Blue Hi-Temp Snapper Grommet With Washer

A. N/A  
R. BR92321

M. GR121  
W. 35368

**35246** **35246**

Black Snapper Grommet

A. N/A  
R. BR92318

M. GR118  
W. 35367

**35252** **35252**

Blue Hi-Temp Snapper Grommet Without Washer

A. N/A  
R. BR92319

M. GR119  
W. N/A

**35255** **35255**

Red Snapper Grommet

A. N/A  
R. BR92320

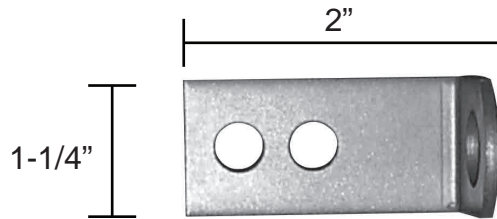
M. GR120  
W. N/A

A. AP/GOERLICH'S; M. MARWIL; R. ROL; W. WALKER

**DESIGN MAKES THE DIFFERENCE**

# Metal Straps - 90 Degree "L"

| Strap Length            | Thickness        | ni Number | Item Number | R.       | M.       |
|-------------------------|------------------|-----------|-------------|----------|----------|
| <b>2 HOLE "L" STRAP</b> |                  |           |             |          |          |
| 1-1/2"                  | 1/8" Standard    | 22170     | 170L        | N/A      | 2H1300L  |
| 1-1/2"                  | 3/16" Heavy Duty | 22170HD   | 22170HD     | N/A      | N/A      |
| 2"                      | 1/8" Standard    | 22533     | 22533       | 2HL200   | 2HL200   |
| 2"                      | 3/16" Heavy Duty | 22533HD   | 22533HD     | 2HL200HD | 2HL200HD |
| 2-1/2"                  | 1/8" Standard    | 22171     | 171L        | N/A      | 2H1301L  |
| 2-1/2"                  | 3/16" Heavy Duty | 22171HD   | 22171HD     | N/A      | N/A      |
| 3"                      | 1/8" Standard    | 22534     | 22534       | 2HL300   | 2HL300   |
| 3"                      | 3/16" Heavy Duty | 22534HD   | 22534HD     | 2HL300HD | 2HL300HD |
| 3-1/2"                  | 1/8" Standard    | 22345     | 345L        | N/A      | N/A      |
| 3-1/2"                  | 3/16" Heavy Duty | 22345HD   | 22345HD     | N/A      | N/A      |
| 4"                      | 1/8" Standard    | 22535     | 22535       | N/A      | N/A      |
| 4"                      | 3/16" Heavy Duty | 22535HD   | 22535HD     | N/A      | N/A      |
| 4-1/4"                  | 1/8" Standard    | 22537     | 22537       | 2HL425   | 2H1303L  |
| 4-1/4"                  | 3/16" Heavy Duty | 22537HD   | 22537HD     | 2HL425HD | 2HL425HD |
| 4-1/2"                  | 1/8" Standard    | 22346     | 346L        | N/A      | N/A      |
| 4-1/2"                  | 3/16" Heavy Duty | 22346HD   | 22346HD     | N/A      | N/A      |
| 5-1/2"                  | 1/8" Standard    | 22347     | 347L        | 2HL550   | 2HL550   |
| 5-1/2"                  | 3/16" Heavy Duty | 22347HD   | 22347HD     | 2HL550HD | 2HL550HD |
| 7-1/2"                  | 1/8" Standard    | 22348     | 348L        | 2HL750   | 2H1321L  |
| 7-1/2"                  | 3/16" Heavy Duty | 22348HD   | 22348HD     | 2HL750HD | 2HL750HD |
| 9"                      | 1/8" Standard    | 22545     | 22545       | 2HL900   | 2HL900   |
| 9"                      | 3/16" Heavy Duty | 22545HD   | 22545HD     | 2HL900HD | 2HL900HD |
| 11"                     | 1/8" Standard    | 22546     | 22546       | N/A      | N/A      |
| 11"                     | 3/16" Heavy Duty | 22546HD   | 22546HD     | 2HL110HD | 2HL110HD |
| 12-1/2"                 | 1/8" Standard    | 22349     | 349L        | 2HL125   | 2HL125   |
| 12-1/2"                 | 3/16" Heavy Duty | 22349HD   | 22349HD     | 2HL125HD | 2HL125HD |
| 14"                     | 1/8" Standard    | 22536     | 22536       | 2HL140   | 2HL140   |
| 14"                     | 3/16" Heavy Duty | 22536HD   | 22536HD     | N/A      | N/A      |



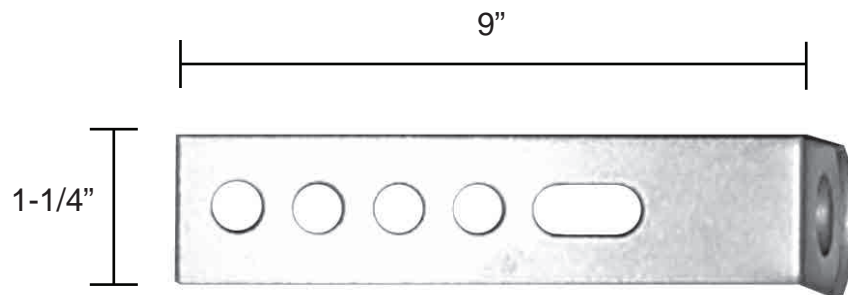
22533/22533HD - 2 Hole L Strap

R. ROL; M. MARWIL

**DESIGN MAKES  
THE DIFFERENCE**

# Metal Straps - 90 Degree "L"

| Strap Length             | Thickness        | ni Number | Item Number | R.       | M.        |
|--------------------------|------------------|-----------|-------------|----------|-----------|
| <b>5 HOLE "L" STRAP</b>  |                  |           |             |          |           |
| 4-1/2"                   | 1/8" Standard    | 52555     | 52555       | 5HL450   | 5HL450    |
| 4-1/2"                   | 3/16" Heavy Duty | 52555HD   | 52555HD     | 5HL450HD | 5HL450HD  |
| 5-1/2"                   | 1/8" Standard    | 52172     | 172L        | 5HL550   | H1311L    |
| 5-1/2"                   | 3/16" Heavy Duty | 52172HD   | 52172HD     | 5HL550HD | 5HL550HD  |
| 7-1/2"                   | 1/8" Standard    | 52173     | 173L        | 5HL750   | H1321L    |
| 7-1/2"                   | 3/16" Heavy Duty | 52173HD   | 52173HD     | 5HL750HD | 5HL750HD  |
| 9"                       | 1/8" Standard    | 52561     | 52561       | 5HL900   | 5HL900    |
| 9"                       | 3/16" Heavy Duty | 52561HD   | 52561HD     | 5HL900HD | 5HL900HD  |
| 12-1/2"                  | 1/8" Standard    | 52174     | 174L        | 5HL125   | 5HL125    |
| 12-1/2"                  | 3/16" Heavy Duty | 52174HD   | 52174HD     | 5HL125HD | 5HL125HD  |
| <b>NO HOLE "L" STRAP</b> |                  |           |             |          |           |
| 3"                       | 1/8" Standard    | 00568     | 00568       | NHL300   | NHL300    |
| 3"                       | 3/16" Heavy Duty | 00568HD   | 00568HD     | NHL300HD | NHL300HD  |
| 4-1/4"                   | 3/16" Heavy Duty | 00571HD   | 00571HD     | NHL425HD | NHL425HD  |
| 5-1/2"                   | 1/8" Standard    | 00574     | 00574       | NHL550   | 2H1311LNH |
| 5-1/2"                   | 3/16" Heavy Duty | 00574HD   | 00574HD     | NHL500HD | NHL550HD  |
| 7-1/2"                   | 1/8" Standard    | 00580     | 00580       | NHL750   | 2H1321LNH |
| 7-1/2"                   | 3/16" Heavy Duty | 00580HD   | 00580HD     | NHL700HD | NHL700HD  |
| 9"                       | 1/8" Standard    | 00582     | 00582       | NHL900   | NHL900    |
| 9"                       | 3/16" Heavy Duty | 00582HD   | 00582HD     | NHL900HD | NHL900HD  |
| 12-1/2"                  | 3/16" Heavy Duty | 00583HD   | 00583HD     | NHL125HD | NHL125HD  |



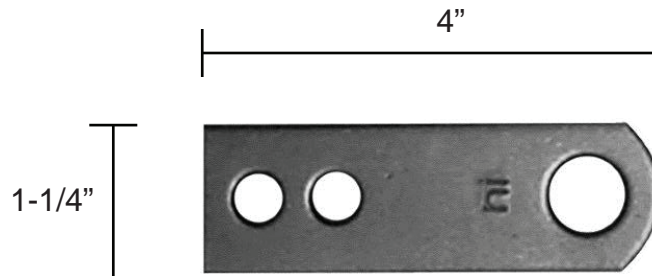
52561/52561HD - 5 Hole "L" Strap

R. ROL; M. MARWIL

**DESIGN MAKES  
THE DIFFERENCE**

# Metal Straps - Straight

| Strap Length                 | Thickness        | ni Number | Item Number | R.       | M.       |
|------------------------------|------------------|-----------|-------------|----------|----------|
| <b>2 HOLE STRAIGHT STRAP</b> |                  |           |             |          |          |
| 3"                           | 1/8" Standard    | 23170     | 170         | 2HS300   | 2H1300   |
| 3"                           | 3/16" Heavy Duty | 23170HD   | 23170HD     | 2HS300HD |          |
| 4"                           | 1/8" Standard    | 23171     | 171         | NA       | 2H1301   |
| 4"                           | 3/16" Heavy Duty | 23171HD   | 23171HD     | N/A      |          |
| 4-1/2"                       | 1/8" Standard    | 23539     | 23539       | 2HS450   | 2HS450   |
| 4-1/2"                       | 3/16" Heavy Duty | 23539HD   | 23539HD     | 2HS450HD | 2HS450HD |
| 5"                           | 1/8" Standard    | 23345     | 345         | N/A      | N/A      |
| 5"                           | 3/16" Heavy Duty | 23345HD   | 23345HD     | N/A      | N/A      |
| 5-3/4"                       | 1/8" Standard    | 23542     | 23542       | 2HS575   | 2HS575   |
| 5-3/4"                       | 3/16" Heavy Duty | 23542HD   | 23542HD     | 2HS575HD | 2HS575HD |
| 6"                           | 1/8" Standard    | 23346     | 346         | N/A      | N/A      |
| 6"                           | 3/16" Heavy Duty | 23346HD   | 23346HD     | N/A      | N/A      |
| 7"                           | 1/8" Standard    | 23172     | 23172       | 2HS700   | 2H1311   |
| 7"                           | 3/16" Heavy Duty | 23172HD   | 23172HD     | 2HS700HD | 2HS700HD |
| 9"                           | 1/8" Standard    | 23348     | 348         | 2HS900   | 2H1321   |
| 9"                           | 3/16" Heavy Duty | 23348HD   | 23348HD     | 2HS900HD | 2HS900HD |
| 11"                          | 1/8" Standard    | 23548     | 23548       | 2HS110   | 2HS110   |
| 11"                          | 3/16" Heavy Duty | 23548HD   | 23548HD     | 2HS110HD | 2HS110HD |
| 14"                          | 1/8" Standard    | 23349     | 349         | 2HS140   | 2H1331   |
| 14"                          | 3/16" Heavy Duty | 23349HD   | 23349HD     | 2HS140HD | 2HS140HD |
| <b>3 HOLE STRAIGHT STRAP</b> |                  |           |             |          |          |
| 3"                           | 1/8" Standard    | 33552     | 33552       | 3HL300   | 3HL300   |
| <b>4 HOLE STRAIGHT STRAP</b> |                  |           |             |          |          |
| 4-1/2"                       | 1/8" Standard    | 43553     | 43553       | 4HS450   | 4HS450   |
| 4-1/2"                       | 3/16" Heavy Duty | 43553HD   | 43553HD     | 4HS450HD | 4HS450HD |



23171/23171HD - 2 Hole Straight Strap

R. ROL; M. MARWIL

**DESIGN MAKES  
THE DIFFERENCE**



# Metal Straps - Straight

| Strap Length                  | Thickness        | ni Number | Item Number | R.       | M.       |
|-------------------------------|------------------|-----------|-------------|----------|----------|
| <b>5 HOLE STRAIGHT STRAP</b>  |                  |           |             |          |          |
| 5-3/4"                        | 1/8" Standard    | 53558     | 53558       | 5HS575   | 5HS575   |
| 5-3/4"                        | 3/16" Heavy Duty | 53558HD   | 53558HD     | 5HS575HD | 5HS575HD |
| 7"                            | 1/8" Standard    | 53172     | 172         | 5HS700   | H1311    |
| 7"                            | 3/16" Heavy Duty | 53172HD   | 53172HD     | 5HS700HD | 5HS700HD |
| 9"                            | 1/8" Standard    | 53173     | 173         | 5HS900   | H1321    |
| 9"                            | 3/16" Heavy Duty | 53173HD   | 53173HD     | 5HS900HD | 5HS900HD |
| 11"                           | 1/8" Standard    | 53564     | 53564       | 5HS110   | 5HS110   |
| 11"                           | 3/16" Heavy Duty | 53564HD   | 53564HD     | 5HS110HD | 5HS110HD |
| 14"                           | 1/8" Standard    | 53174     | 174         | 5HS140   | H1331    |
| 14"                           | 3/16" Heavy Duty | 53174HD   | 53174HD     | 5HS140HD | 5HS140HD |
| <b>NO HOLE STRAIGHT STRAP</b> |                  |           |             |          |          |
| 3"                            | 3/16" Heavy Duty | 01569HD   | 01569HD     | NHS300HD | NHS300HD |
| 4-1/2"                        | 1/8" Standard    | 01572     | 01572       | NHS450   | NHS450   |
| 4-1/2"                        | 3/16" Heavy Duty | 01572HD   | 01572HD     | NHS450HD | NHS450HD |
| 5-3/4"                        | 3/16" Heavy Duty | 01576HD   | 01576HD     | NHS575HD | NHS575HD |
| 6-1/4"                        | 1/8" Standard    | 01577     | 01577       | NHS625   | NHS625   |
| 7"                            | 3/16" Heavy Duty | 01579HD   | 01579HD     | NHS700HD | NHS700HD |
| 7"                            | 1/8" Standard    | 01585     | 01585       | N/A      | N/A      |
| 9"                            | 1/8" Standard    | 01581     | 01581       | NHS900   | NHS900   |
| 9"                            | 3/16" Heavy Duty | 01581HD   | 01581HD     | NHS900HD | NHS900HD |
| 9"                            | 1/8" Standard    | 01355     | 01355       | NHH900W  | NHH900W  |
| 11"                           | 3/16" Heavy Duty | 01588HD   | 01588HD     | NHS110HD | NHS110HD |
| 12"                           | 1/8" Standard    | 01356     | 01356       | NHS120W  | NHS120W  |

| <b>UNIVERSAL GROMMETS</b> |             |                                          |       |       |         |       |  |
|---------------------------|-------------|------------------------------------------|-------|-------|---------|-------|--|
| ni Number                 | Item Number | Description                              | A.    | M.    | R.      | W.    |  |
| 35178                     | 178         | Rubber Grommet - Male                    | F5179 | GR95  | BR016   | 35395 |  |
| 35179                     | 179         | Rubber Grommet - Female                  | F5178 | GR96  | BR015   | 35394 |  |
| 35245                     | 245         | Blue Hi Temp Snapper Grommet with Washer | N/A   | GR121 | BR92321 | 35368 |  |
| 35246                     | 35246       | Black Snapper Grommet                    | N/A   | GR118 | BR92318 | 35367 |  |
| 35252                     | 35252       | Blue Hi Temp Snapper Grommet No Washer   | N/A   | GR119 | BR92319 | N/A   |  |
| 35255                     | 35255       | Red Snapper Grommet                      | N/A   | GR120 | BR92320 | N/A   |  |



A. AP/GOERLICH'S; M. MARWIL; R. ROL; W. WALKER

**DESIGN MAKES THE DIFFERENCE**

# OEM Brackets & Hangers



**DESIGN MAKES  
THE DIFFERENCE**

# Metal Brackets Application Information

| Make      | Application Information                                                             | Location                      | ni Number | Item Number | See Page |
|-----------|-------------------------------------------------------------------------------------|-------------------------------|-----------|-------------|----------|
| BUICK     | 1992 Century 204 (3.3L)                                                             | Converter                     | 27841     | 841         | 45       |
| BUICK     | 1990-92 Century 151 (2.5L)                                                          | Converter                     | 27840     | 840         | 45       |
| BUICK     | 1990-91 Century 204 (3.3L)                                                          | Converter                     | 27840     | 840         | 45       |
| BUICK     | 1988-92 REGAL 2.8L, 3.1L                                                            | Middle Pipe                   | 27848     | 848         | 45       |
| BUICK     | 1986-91 Century 151 (2.5L)                                                          | Converter                     | 27841     | 841         | 45       |
| BUICK     | 1982-92 Century 151, 181, 231 (Exc. Station Wagon)                                  | Muffler - Rear                | 27803     | 803         | 44       |
| BUICK     | 1980-85 Skylark 151, 173                                                            | Muffler - Rear                | 27803     | 803         | 44       |
| BUICK     | 1979-85 Riviera 231, 252, 307, 350N, R, X;                                          | Muffler - Dual; Muffler Right | 27814     | 814         | 44       |
| BUICK     | 1975-79 Apollo, Skylark 231, 250, 260, 301, 305, 350                                | Muffler - Dual; Muffler Right | 27814     | 814         | 44       |
| BUICK     | 1971-76 Centurion, Electra, Lesabre 350J-K, 455                                     | Tail Pipe                     | 27166     | 166         | 44       |
| CADILLAC  | 1979-85 Eldorado, Seville 250 (4.1L), 252, 350N, 8, 368                             | Muffler                       | 27814     | 814         | 44       |
| CADILLAC  | 1977-92 Fleetwood Brougham 252, 305, 307, 350N-7, 368                               | Muffler                       | 27808     | 808         | 44       |
| CADILLAC  | 1971-72 Calais, Deville, Fleetwood Brougham, Fleetwood Limo 472, 500                | Tail Pipe                     | 27822     | 822         | 44       |
| CHEVROLET | 1990-93 C10, C20, C30, 262 (4.3L)                                                   | Muffler - Dual Outlet         | 27835     | 835         | 45       |
| CHEVROLET | 1990-93 C10, C20, C30 262 (4.3L)                                                    | Muffler - Dual Outlet         | 27837     | 837         | 45       |
| CHEVROLET | 1990-92 P Series 4.3L, 5.7L, 7.4L                                                   | Middle Pipe                   | 27832     | 832         | 45       |
| CHEVROLET | 1990-92 K10, K20, K30 262 (4.3L)                                                    | Muffler - Dual Outlet         | 27835     | 835         | 45       |
| CHEVROLET | 1990-92 K10, K20, K30 262 (4.3L)                                                    | Muffler - Dual Outlet         | 27837     | 837         | 45       |
| CHEVROLET | 1990-92 V30 262 (4.3L)                                                              | Muffler - Dual Outlet         | 27837     | 837         | 45       |
| CHEVROLET | 1990-92 LUMINA 2.5L, 3.1L                                                           | Middle Pipe                   | 27848     | 848         | 45       |
| CHEVROLET | 1990 C10, C20, C30 454 (7.4L)                                                       | Muffler - Dual Outlet         | 27835     | 835         | 45       |
| CHEVROLET | 1990 C10, C20, C30 454 (7.4L)                                                       | Muffler - Dual Outlet         | 27837     | 837         | 45       |
| CHEVROLET | 1990 Celebrity 151 (2.5L), 189 (3.1L)                                               | Converter                     | 27840     | 840         | 45       |
| CHEVROLET | 1988-93 C10, C20, C30 350K (5.7L), 379 (6.2L)                                       | Muffler - Dual Outlet         | 27835     | 835         | 45       |
| CHEVROLET | 1988-93 K10, K20, K30 350K (5.7L) 379 (6.2L)                                        | Muffler - Dual Outlet         | 27835     | 835         | 45       |
| CHEVROLET | 1988-93 C10, C20, C30 350K (5.7L), 379 (6.2L)                                       | Muffler - Dual Outlet         | 27837     | 837         | 45       |
| CHEVROLET | 1988-93 K10, K20, K30 350K (5.7L) 379 (6.2L)                                        | Muffler - Dual Outlet         | 27837     | 837         | 45       |
| CHEVROLET | 1988-91 S10 4WD 173, 262                                                            | Tail Pipe                     | 27829     | 829         | 44       |
| CHEVROLET | 1988-91 R10, R20, R30 350 K (5.7L), 379 (6.2L)                                      | Muffler - Dual Outlet         | 27835     | 835         | 45       |
| CHEVROLET | 1988-91 V30 350K (5.7L), 379 (6.2L)                                                 | Muffler - Dual Outlet         | 27835     | 835         | 45       |
| CHEVROLET | 1988-91 R10, R20, R30 350K (5.7L), 379 (6.2L)                                       | Muffler - Dual Outlet         | 27837     | 837         | 45       |
| CHEVROLET | 1988-91 V30 350K (5.7L), 379 (6.2L)                                                 | Muffler - Dual Outlet         | 27837     | 837         | 45       |
| CHEVROLET | 1986-90 Celebrity 151 (2.5L)                                                        | Converter                     | 27841     | 841         | 45       |
| CHEVROLET | 1985-91 Astro Mini Van 2.5L, 4.3L                                                   | Converter - Middle Pipe       | 27833     | 833         | 45       |
| CHEVROLET | 1985-90 Astro 2.5L, 4.3L                                                            | Muffler; Tail Pipe            | 27814     | 814         | 44       |
| CHEVROLET | 1984-91 Corvette 350                                                                | Muffler - Rear                | 27803     | 803         | 44       |
| CHEVROLET | 1983-91 S10 Pickup 4WD 1.9L, 2.8L, 4.3L                                             | Muffler; Tail Pipe            | 27814     | 814         | 44       |
| CHEVROLET | 1983-88 S10 4WD 119, 121, 151, 173                                                  | Tail Pipe                     | 27829     | 829         | 44       |
| CHEVROLET | 1982-91 Suburban 6.2L W/Dual Exhaust                                                | Muffler; Tail Pipe            | 27814     | 814         | 44       |
| CHEVROLET | 1982-91 S10, Pickup 2.0L, 121, 151, 173, 262                                        | Muffler - Front               | 27822     | 822         | 44       |
| CHEVROLET | 1982-90 G10 & 1500 Series, G20 & 2500 Series, G30 & 3500 Series 250, 262, 305, 350K | Tail Pipe                     | 27829     | 829         | 44       |

# Metal Brackets Application Information Cont.

| Make      | Application Information                                                                           | Location                              | ni Number | Item Number | See Page |
|-----------|---------------------------------------------------------------------------------------------------|---------------------------------------|-----------|-------------|----------|
| CHEVROLET | 1982-89 Celebrity 151, 173                                                                        | Muffler - Rear                        | 27803     | 803         | 44       |
| CHEVROLET | 1982-87 C & R 10, 6.2L W/ Dual Exhaust                                                            | Muffler; Tail Pipe                    | 27814     | 814         | 44       |
| CHEVROLET | 1982-87 C, R 20 Series 379 (6.2L)                                                                 | Muffler - Front                       | 27822     | 822         | 44       |
| CHEVROLET | 1982-84 G10 250, 305, 350, 400                                                                    | Muffler; Tail Pipe                    | 27814     | 814         | 44       |
| CHEVROLET | 1980-87 C & K Blazer, Jimmy, Pickup Suburban 305, 350                                             | Rail Pipe - Dual;<br>Outlet Left      | 27830     | 830         | 45       |
| CHEVROLET | 1980-85 Citation 151, 173                                                                         | Muffler - Rear                        | 27803     | 803         | 44       |
| CHEVROLET | 1980-81 Camaro (Exc. Z28) 229, 231, 267, 305                                                      | Muffler - Dual Outlet                 | 27814     | 814         | 44       |
| CHEVROLET | 1979-82 Blazer 250, 305, 350, 379, 454                                                            | Muffler - Front                       | 27822     | 822         | 44       |
| CHEVROLET | 1978-84 C10 Series 250, 305, 350L-Z                                                               | Muffler - Front                       | 27822     | 822         | 44       |
| CHEVROLET | 1977-87 Suburban 250, 305, 350, 379, 454                                                          | Muffler - Front                       | 27822     | 822         | 44       |
| CHEVROLET | 1977-78 G10 & 1500 Series, G20 & 2500 Series, G30 & 3500 Series 292                               | Tail Pipe                             | 27829     | 829         | 44       |
| CHEVROLET | 1975-92 Bel Air, Caprice, Impala 229, 231, 250, 262, 267, 305, 350, 350N, 400, 454                | Muffler                               | 27808     | 808         | 44       |
| CHEVROLET | 1975-80 Luv 110 (1.8L)                                                                            | Pipe                                  | 27143     | 143         | 44       |
| CHEVROLET | 1975-79 Nova 250, 262, 305, 350                                                                   | Muffler - Dual Outlet                 | 27814     | 814         | 44       |
| CHEVROLET | 1975-77 Chevelle, Malibu, Monte Carlo 250, 305, 350, 400                                          | Muffler                               | 27808     | 808         | 44       |
| CHEVROLET | 1975-77 El Camino, Sprint, Caballero 250, 305, 350, 400                                           | Muffler                               | 27808     | 808         | 44       |
| CHEVROLET | 1973-79 Nova 350                                                                                  | Muffler - Dual Outlet                 | 27814     | 814         | 44       |
| CHEVROLET | 1973-74 C10 Series 250, 292, 350                                                                  | Muffler - Front                       | 27822     | 822         | 44       |
| CHEVROLET | 1971-76 (Exc. Station Wagon)                                                                      | Tail Pipe                             | 27166     | 166         | 44       |
| CHEVROLET | 1970-74 Camaro 307, 350, 402                                                                      | Muffler - Dual Outlet                 | 27814     | 814         | 44       |
| CHRYSLER  | 1984-85 Daytona, Lancer 1.5 (Exc. Turbo)                                                          | Muffler                               | 27601     | 601         | 44       |
| CHRYSLER  | 1983-85 400, 600, E-Class, Laser, Lebaron, New Yorker 135, 156 (Exc. 1985 2BBL)                   | Muffler                               | 27601     | 601         | 44       |
| CHRYSLER  | 1983-90 Horizon, Omni 98,135 (Exc. Turbo)                                                         | Muffler                               | 27601     | 601         | 44       |
| CHRYSLER  | 1980-83 Horizon, Omni 105, 135                                                                    | Muffler                               | 27601     | 601         | 44       |
| CHRYSLER  | 1981-85 Aries, Reliant 135, 156                                                                   | Muffler                               | 27601     | 601         | 44       |
| CHRYSLER  | 1977-89 Aspen, Cordoba, Diplomat, Gran Fury, Lebaron Magnum, Mirada, New Yorker St Regis 225, 318 | Tail Pipe                             | 27822     | 822         | 44       |
| DODGE     | 1982-84 Rampage, Scamp 135 (2.2L)                                                                 | Exhaust Pipe -2nd.;<br>Muffler -Front | 27601     | 601         | 44       |
| FORD      | 1990-92 Aerostar 4.0L                                                                             | Converter                             | 27717     | 717         | 44       |
| FORD      | 1989 Aerostar 3.0L                                                                                | Converter                             | 27717     | 717         | 44       |
| GMC       | 1990-93 C1500, C2500, C3500 262 (4.3L)                                                            | Muffler - Dual Outlet                 | 27835     | 835         | 45       |
| GMC       | 1990-93 C1500, C2500, C3500, V3500 262 (4.3L)                                                     | Muffler - Dual Outlet                 | 27836     | 836         | 45       |
| GMC       | 1990-92 P Series 4.3L, 5.7L, 7.4L                                                                 | Middle Pipe                           | 27832     | 832         | 45       |
| GMC       | 1990-92 K1500, K2500, K3500 262 (4.3L)                                                            | Muffler - Dual Outlet                 | 27835     | 835         | 45       |
| GMC       | 1990-92 K1500, K2500, K3500 262 (4.3L)                                                            | Muffler - Dual Outlet                 | 27836     | 836         | 45       |
| GMC       | 1990 C1500, C2500, C3500 454 (7.4L)                                                               | Muffler - Dual Outlet                 | 27835     | 835         | 45       |
| GMC       | 1990 C1500, C2500, C3500, V3500 454 (7.4L)                                                        | Muffler - Dual Outlet                 | 27836     | 836         | 45       |
| GMC       | 1988-93 C1500, C2500, C3500 350K (5.7L), 379 (6.2L)                                               | Muffler - Dual Outlet                 | 27835     | 835         | 45       |
| GMC       | 1988-93 K1500, K2500, K3500 350K (5.7L), 379 (6.2L)                                               | Muffler - Dual Outlet                 | 27835     | 835         | 45       |
| GMC       | 1988-93 C1500, C2500, C3500, V3500 350K (5.7L), 379 (6.2L)                                        | Muffler - Dual Outlet                 | 27836     | 836         | 45       |

**DESIGN MAKES  
THE DIFFERENCE**

# Metal Brackets Application Information Cont.

| Make       | Application Information                                                                                              | Location                  | ni Number | Item Number | See Page |
|------------|----------------------------------------------------------------------------------------------------------------------|---------------------------|-----------|-------------|----------|
| GMC        | 1988-93 K1500, K2500, K3500 350K (5.7L), 379 (6.2L)                                                                  | Muffler - Dual Outlet     | 27836     | 836         | 45       |
| GMC        | 1988-91 R2500, R3500 350K (5.7L), 379 (6.2L)                                                                         | Muffler - Dual Outlet     | 27835     | 835         | 45       |
| GMC        | 1988-91 V3500 350K (5.7L), 379 (6.2L)                                                                                | Muffler - Dual Outlet     | 27835     | 835         | 45       |
| GMC        | 1988-91 R2500, R3500 350K (5.7L), 379 (6.2L)                                                                         | Muffler - Dual Outlet     | 27836     | 836         | 45       |
| GMC        | 1988-91 V3500 350K (5.7L), 379 (6.2L)                                                                                | Muffler - Dual Outlet     | 27836     | 836         | 45       |
| GMC        | 1985-91 Safari Mini Van 2.5L, 4.3L                                                                                   | Converter - Middle Pipe   | 27833     | 833         | 45       |
| GMC        | 1985-90 Safari (Exc. A.W.D.) 2.5L, 4.3L                                                                              | Muffler; Tail Pipe        | 27814     | 814         | 44       |
| GMC        | 1983-91 S15 Pickup 4WD 1.9L, 2.8L, 4.3L                                                                              | Muffler; Tail Pipe        | 27814     | 814         | 44       |
| GMC        | 1982-91 Suburban 6.2L W/Dual Exhaust                                                                                 | Muffler; Tail Pipe        | 27814     | 814         | 44       |
| GMC        | 1982-91 S15 Pickup 2WD 119, 121, 137 (2.2L Diesel) 151, 173                                                          | Muffler - Front           | 27822     | 822         | 44       |
| GMC        | 1982-87 C & R 1500 6.2L W/ Dual Exhaust                                                                              | Muffler; Tail Pipe        | 27814     | 814         | 44       |
| GMC        | 1982-87 C, R 20 Series 379 (6.2L)                                                                                    | Muffler - Front           | 27822     | 822         | 44       |
| GMC        | 1982-84 G1500, G1600 250, 305, 350, 400                                                                              | Muffler; Tail Pipe        | 27814     | 814         | 44       |
| GMC        | 1979-82 Jimmy 250, 305, 350                                                                                          | Muffler - Front           | 27822     | 822         | 44       |
| GMC        | 1978-84 C1500 Series 250, 305, 350L-Z                                                                                | Muffler - Front           | 27822     | 822         | 44       |
| GMC        | 1973-76 Jimmy 307, 350                                                                                               | Muffler - Front           | 27822     | 822         | 44       |
| GMC        | 1973-74 C1500 Series 250 (6.2L) 292, 350                                                                             | Muffler - Front           | 27822     | 822         | 44       |
| NISSAN     | 1987-90 Pulsar 1597cc (1.6L), 1908cc (1.8L)                                                                          | Exhaust Pipe - 2nd Pipe   | 27236     | 236         | 46       |
| NISSAN     | 1987-90 Sentra 1488cc (1.5L), 1597cc (1.6L)                                                                          | Exhaust Pipe - 2nd Pipe   | 27236     | 236         | 46       |
| NISSAN     | 1983-86 720, 1952cc (2.0L), 2393cc (2.4L), 2488cc (2.5L Diesel)                                                      | Muffler                   | 27239     | 239         | 46       |
| NISSAN     | 1981-83 200SX 1852cc (2.0L), 2187cc (2.2L)                                                                           | Muffler                   | 27239     | 239         | 46       |
| OLDSMOBILE | 1990-92 Ciera 151 (2.5L)                                                                                             | Converter                 | 27840     | 840         | 45       |
| OLDSMOBILE | 1990-91 Ciera 204 (3.3L)                                                                                             | Converter                 | 27840     | 840         | 45       |
| OLDSMOBILE | 1992 Ciera 204 (3.3L)                                                                                                | Converter                 | 27841     | 841         | 45       |
| OLDSMOBILE | 1988-92 Cutlass 2.3L, 2.8L, 3.1L                                                                                     | Middle Pipe               | 27848     | 848         | 45       |
| OLDSMOBILE | 1986-90 Ciera 151 (2.5L)                                                                                             | Converter                 | 27841     | 841         | 45       |
| OLDSMOBILE | 1982-85 Ciera 151, 181                                                                                               | Muffler - Rear            | 27803     | 803         | 44       |
| OLDSMOBILE | 1980-84 Omega 151, 173                                                                                               | Muffler - Rear            | 27803     | 803         | 44       |
| OLDSMOBILE | 1977-92 Custom Cruiser 305, 307, 350N, 403                                                                           | Muffler                   | 27808     | 808         | 44       |
| OLDSMOBILE | 1975-85 Delta 88 & Royale, 98 Luxury & Regency, Toronado 231, 252, 260, 301, 307, 350, 350G, L, N, R, 400, 403, 455; | Muffler                   | 27808     | 808         | 44       |
| OLDSMOBILE | 1975-79 Omega 231, 250, 260, 305, 350                                                                                | Muffler - Dual; Tail Pipe | 27814     | 814         | 44       |
| OLDSMOBILE | 1975-77 Cutlass 231, 250, 260, 350, 403, 455                                                                         | Muffler                   | 27808     | 808         | 44       |
| OLDSMOBILE | 1971-76 Delta 88, 98 Regency 350, 455                                                                                | Tail Pipe                 | 27166     | 166         | 44       |
| PONTIAC    | 1990-93 Transport Van 189, 231                                                                                       | Muffler - Rear            | 27803     | 803         | 44       |
| PONTIAC    | 1990-91 6000 151 (2.5L), 189 (3.1L)                                                                                  | Converter                 | 27840     | 840         | 45       |
| PONTIAC    | 1989-92 Grand Prix 2.3L, 2.8L, 3.1L                                                                                  | Middle Pipe               | 27848     | 848         | 45       |
| PONTIAC    | 1986-91 6000 151 (2.5L)                                                                                              | Converter                 | 27841     | 841         | 45       |

# Metal Brackets Application Information Cont.

| Make    | Application Information                                                                                    | Location                  | ni Number | Item Number | See Page |
|---------|------------------------------------------------------------------------------------------------------------|---------------------------|-----------|-------------|----------|
| PONTIAC | 1980-84 Phoenix 151, 173; 1982-85 6000 151, 173, 260D (Exc. Station Wagon)                                 | Muffler - Rear            | 27803     | 803         | 44       |
| PONTIAC | 1977-79 Station Wagon 400, 403                                                                             | Muffler                   | 27808     | 808         | 44       |
| PONTIAC | 1975-86 Catalina, Bonneville, Grandville, Parisienne 229, 231, 265, 301, 305, 307, 350N, P, R, X, 400, 403 | Muffler                   | 27808     | 808         | 44       |
| PONTIAC | 1975-81 231, 301 250, 305, 350P,R, 400, 403, 455                                                           | Muffler - Dual; Tail Pipe | 27814     | 814         | 44       |
| PONTIAC | 1975-79 Phoenix Ventura II 151, 231, 250, 260, 301, 305, 350                                               | Muffler -Dual; Tail Pipe  | 27814     | 814         | 44       |
| PONTIAC | 1971-76 Bonneville, Catalina, Grandville 350, 400, 455                                                     | Tail Pipe                 | 27166     | 166         | 44       |
| TOYOTA  | 1985-88 4-Runner 2.4L                                                                                      | Muffler                   | 27237     | 237         | 46       |
| TOYOTA  | 1984-89 Pickup 4WD 2.4L                                                                                    | Muffler                   | 27237     | 237         | 46       |
| TOYOTA  | 1984-85 4WD 2.0L Diesel                                                                                    | Muffler                   | 27237     | 237         | 46       |

# Metal Brackets

**27601** **601**

A. N/A  
R. BR430

M. FEH652  
W. N/A

**CHRYSLER**

**27822** **822**

A. 8503  
R. BR202C

M. N/A  
W. 35045

**CHRYSLER**

**27717** **717**

A. N/A  
R. BR92101

M. TH1075B  
W. 35815

**FORD**

**27143** **143**

A. 339985  
R. BR855

M. TPH101B  
W. 35003

**GM**

**27166** **166**

A. 8509  
R. BR129

M. TPH131B  
W. 35175

**GM**

**27803** **803**

A. 9961  
R. BR676

M. TPH212B  
W. 35092

**GM**

**27808** **808**

A. 8119  
R. BR261

M. TPH201B  
W. 35662

**GM**

**27814** **814**

A. 8215  
R. BR318

M. TPH190B  
W. 35358

**GM**

**27822** **822**

A. 8503  
R. BR202C

M. N/A  
W. 35045

**GM**

**27829** **829**

A. 8566  
R. BR683

M. TPH197B  
W. N/A

**GM**

A. AP/GOERLICH'S; M. MARWIL; R. ROL; W. WALKER

**DESIGN MAKES THE DIFFERENCE**

# Metal Brackets

**27830** **830**

A. 8212 M. TPH929B  
R. BR91900 W. 35566

**27831** **831**

A. N/A M. N/A  
R. N/A W. N/A

**27832** **832**

A. N/A M. TPH1274B  
R. BR92021 W. N/A

**27833** **833**

A. 8015 M. TH1060B  
R. BR91958 W. 35715

**27835** **835**

A. 8170 M. TPH240B  
R. BR91915 W. N/A

**27836** **836**

A. 8322 M. TPH367B  
R. BR92099 W. 35287

**27837** **837**

A. 8214 M. TH1017B  
R. BR91946 W. N/A

**27840** **840**

A. N/A M. FW887  
R. BR92100 W. 35010

**27841** **841**

A. N/A M. TPH860B  
R. BR92111 W. 35893

**27848** **848**

A. N/A M. FW200  
R. BR92024 W. 35242


A. AP/GOERLICH'S; M. MARWIL; R. ROL; W. WALKER

**DESIGN MAKES THE DIFFERENCE**



# Metal Brackets

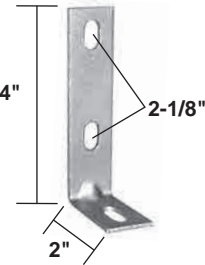
**27236** **236**



**NISSAN**

A. 8154 M. TPH1199B  
R. BR91938 W. 35812


**27239** **239**



**NISSAN**

A. 8234 M. N/A  
R. BR813 W. N/A


**27237** **237**



**TOYOTA**

A. N/A M. FEH940  
R. BR91942 W. 35493

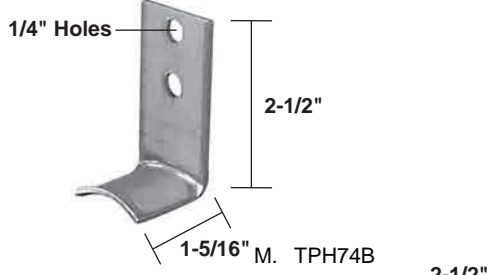
**27142** **142**



**UNIVERSAL**

A. 339984 M. TPH102B  
R. BR755 W. 35024


**27148** **148**



**UNIVERSAL**

A. N/A M. TPH74B  
R. BR92244 W. N/A


**27151** **151**



**UNIVERSAL**

A. 9971 M. TPH51B  
R. BR92171 W. 35099


**27152** **152**



**UNIVERSAL**

A. N/A M. TPH52B  
R. BR92181 W. N/A

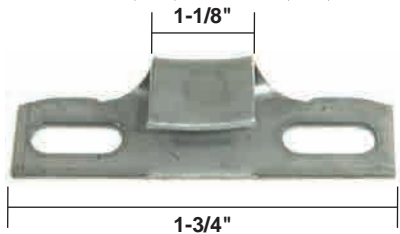
**27153** **153**



**UNIVERSAL**

A. N/A M. TPH211BL  
R. BR92254 W. N/A


**27154** **27154**



**UNIVERSAL**

A. 9934 M. N/A  
R. BR112 W. 35674

**27155** **27155**



**UNIVERSAL**

A. N/A M. TPH77B  
R. BR784 W. 35098

A. AP/GOERLICH'S; M. MARWIL; R. ROL; W. WALKER

**DESIGN MAKES THE DIFFERENCE**

# Metal Brackets

**27156** **27156**

A. N/A M. TPH1234B  
R. BR91924 W. N/A

**27159** **27159**

A. N/A M. TPH75B  
R. BR92255 W. N/A

**27160** **160**

A. 339987 M. N/A  
R. BR017 W. 35047

**27161** **161**

A. 339988 M. N/A  
R. BR018 W. 35048

**27162** **162**

A. 8555 M. N/A  
R. BR668 W. 35021

**27163** **163**

A. 339989 M. BR388  
R. BR388 W. 35019

**27164** **164**

A. 339990 M. TPH85B  
R. BR754 W. N/A

**27165** **165**

A. 339991 M. TPH95B  
R. BR754W W. N/A

**27181** **27181**

A. N/A M. TPH1228B  
R. BR91920 W. N/A

**27211** **27211**

A. N/A M. TPH981B  
R. BR91981 W. N/A

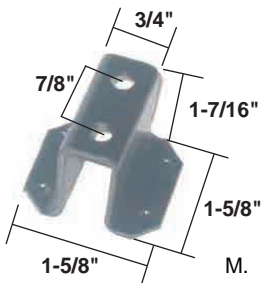
A. AP/GOERLICH'S; M. MARWIL; R. ROL; W. WALKER

**DESIGN MAKES THE DIFFERENCE**

# Metal Brackets

27212

27212



A. N/A  
R. BR91919  
M. EPB5339  
W. N/A

27510

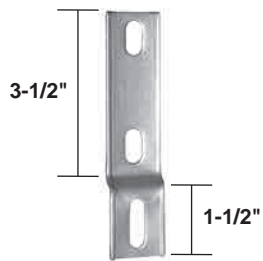
510



A. 9962  
R. BR378  
M. TPH209B  
W. 35090

27838

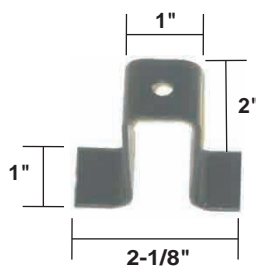
838



A. N/A  
R. BR770  
M. TPH175B  
W. N/A

27226

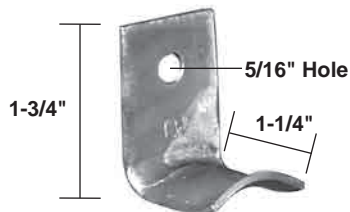
27226



A. N/A  
R. BR91908  
M. TPH1210B  
W. N/A

27818

818



A. 8251  
R. BR771  
M. N/A  
W. N/A

27861

27861



A. 8055  
R. MB121  
M. TPH121B  
W. N/A

UNIVERSAL

UNIVERSAL

UNIVERSAL

UNIVERSAL

UNIVERSAL

UNIVERSAL

A. AP/GOERLICH'S; M. MARWIL; R. ROL; W. WALKER

**DESIGN MAKES  
THE DIFFERENCE**

# Rubber Insulator Application Information

| Make  | Application Information                             | Location                          | ni Number | Item Number | See Page |
|-------|-----------------------------------------------------|-----------------------------------|-----------|-------------|----------|
| ACURA | 1992-93 Vigor 2451cc (2.5L)                         | Muffler                           | 16219     | 219         | 61       |
| AUDI  | 1989-91 100 2.3L                                    | Muffler; Tail Pipe                | 16207     | 207         | 61       |
| AUDI  | 1989-91 200 2.3L                                    | Muffler; Tail Pipe                | 16207     | 207         | 61       |
| AUDI  | 1980-87 4000 1.7L, 1.8L, 2.2L, 1588cc Diesel        | Muffler; Tail Pipe                | 16207     | 207         | 61       |
| AUDI  | 1985-87 4000 S Quattro 2.2L                         | Muffler - First                   | 16713     | 16713       | 61       |
| AUDI  | 1980-83 5000 2.0L Diesel                            | Muffler; Tail Pipe                | 16206     | 206         | 61       |
| AUDI  | 1978 5000 2.0L, 2.2L, 2.3L                          | Muffler; Tail Pipe                | 16207     | 207         | 61       |
| AUDI  | 1980-83 5000 2.2L                                   | Muffler; Tail Pipe                | 16206     | 206         | 61       |
| AUDI  | 1988-92 80 Quattro 2.0L, 2.3L                       | Muffler - First                   | 16713     | 16713       | 61       |
| AUDI  | 1988-92 90 Quattro 2.0L, 2.3L                       | Muffler - First                   | 16713     | 16713       | 61       |
| AUDI  | 1973-79 Fox (All)                                   | Muffler; Tail Pipe                | 16207     | 207         | 61       |
| BMW   | 1968-93 1602                                        | Muffler; Tail Pipe                | 16209     | 209         | 61       |
| BMW   | 1968-93 2002                                        | Muffler; Tail Pipe                | 16209     | 209         | 61       |
| BMW   | 1972-74 2002Tii 2.0L                                | Muffler                           | 16229     | 16229       | 61       |
| BMW   | 1983-85 318i                                        | Muffler                           | 16231     | 231         | 61       |
|       | 318i, 323i, 325E, 325ES, 325i, 325iC, 325iS,        |                                   |           |             |          |
| BMW   | 1968-93 325iX                                       | Muffler; Tail Pipe                | 16209     | 209         | 61       |
| BMW   | 1982-83 320i                                        | Muffler                           | 16229     | 16229       | 61       |
| BMW   | 1968-93 524, 524i, 528E, 530i                       | Muffler; Tail Pipe                | 16209     | 209         | 61       |
| BMW   | 1989-90 525i                                        | Muffler                           | 16231     | 231         | 61       |
| BMW   | 1982-88 528E                                        | Muffler                           | 16231     | 231         | 61       |
| BMW   | 1983-84 533i                                        | Muffler                           | 16231     | 231         | 61       |
| BMW   | 1985-93 535i                                        | Muffler                           | 16231     | 231         | 61       |
| BMW   | 1968-93 630CSI, 633CSI, 635CSI                      | Muffler; Tail Pipe                | 16209     | 209         | 61       |
| BMW   | 1981-84 633CSI                                      | Muffler                           | 16231     | 231         | 61       |
| BMW   | 1984-87 635CSI                                      | Muffler                           | 16231     | 231         | 61       |
| BMW   | 1968-93 733i, 735i, 735il                           | Muffler; Tail Pipe                | 16209     | 209         | 61       |
| BMW   | 1985-92 735i, 735il                                 | Muffler                           | 16231     | 231         | 61       |
| BUICK | 1975-79 Apollo 3.8L, 250, 260, 301, 305, 350L, 350R | Tail Pipe; Muffler                | 16605     | 605         | 63       |
| BUICK | 1982-92 Century 151, 181, 231 (Exc. Station Wagon ) | Muffler Rear                      | 16802     | 802         | 64       |
|       | Century Station Wagon 151, 173, 181, 204,           | Tail Pipe; Exhaust Pipe-2ND Pipe; |           |             |          |
| BUICK | 1984-93 231, 260D                                   | Muffler                           | 16806     | 806         | 64       |
|       |                                                     | Tail Pipe; Exhaust Pipe-2ND Pipe; |           |             |          |
| BUICK | 1985-93 Electra 181, 231, 260D                      | Muffler                           | 16806     | 806         | 64       |
| BUICK | 1985-93 Electra 3.0L, 3.8l, 260D                    | 3RD. Pipe                         | 16228     | 228         | 63       |
| BUICK | 1971-76 Estate Wagon 350, 455                       | Tail Pipe; Muffler                | 16605     | 605         | 63       |
|       |                                                     | Tail Pipe; Exhaust Pipe-2ND Pipe; |           |             |          |
| BUICK | 1985-93 LeSabre 231, 181, 260D                      | Muffler                           | 16806     | 806         | 64       |
| BUICK | 1985-93 LeSabre 3.0L, 3.8l 260D                     | 3RD. Pipe                         | 16228     | 228         | 63       |
|       |                                                     | Tail Pipe; Exhaust Pipe-2ND Pipe; |           |             |          |
| BUICK | 1985-93 Park Avenue 181, 231, 260D                  | Muffler                           | 16806     | 806         | 64       |
| BUICK | 1985-93 Park Avenue 3.0L, 3.8L, 260D                | 3RD. Pipe                         | 16228     | 228         | 63       |
| BUICK | 1985-91 Regal 138, 140, 151, 181, 204               | Exhaust Pipe - 2ND Pipe           | 16846     | 846         | 64       |
| BUICK | 1988-93 Regal 2.8L, 3.1L                            | 3RD. Pipe                         | 16228     | 228         | 63       |
| BUICK | 1988-91 Regal 2.8L, 3.1L, 3.8L                      | Exhaust Pipe; Muffler-Rear        | 16271     | 16271       | 63       |
|       |                                                     | Tail Pipe; Exhaust Pipe-2ND Pipe; |           |             |          |
| BUICK | 1985-93 Riveria 181, 231, 260D                      | Muffler                           | 16806     | 806         | 64       |
| BUICK | 1986-93 Riveria 3.8L                                | 3RD. Pipe                         | 16228     | 228         | 63       |
| BUICK | 1974-74 Riveria 455                                 | Tail Pipe; Muffler                | 16605     | 605         | 63       |
| BUICK | 1993-93 Roadmaster 350                              | Tail Pipe                         | 16828     | 828         | 64       |
| BUICK | 1984-89 Skyhawk 1.8L, 2.0L                          | 2ND Pipe                          | 16826     | 826         | 64       |
| BUICK | 1983-89 Skyhawk 112, 122                            | Exhaust Pipe - 2ND Pipe           | 16846     | 846         | 64       |
| BUICK | 1975-80 Skyhawk 3.8L "A", 3.8L, C                   | Tail Pipe; Muffler                | 16605     | 605         | 63       |
| BUICK | 1990-91 Skylark 2.3L, 2.5L, 3.3L                    | 2ND Pipe                          | 16826     | 826         | 64       |
| BUICK | 1985-91 Skylark, 138, 140, 151, 181, 204            | Exhaust Pipe - 2ND Pipe           | 16846     | 846         | 64       |
| BUICK | 1980-85 Skylark 151, 173                            | Muffler Rear                      | 16802     | 802         | 64       |

# Rubber Insulator Application Information Cont.

| Make      | Application Information                                                    | Location                          | ni Number | Item Number | See Page |
|-----------|----------------------------------------------------------------------------|-----------------------------------|-----------|-------------|----------|
| BUICK     | 1975-79 Skylark 3.8L, 250, 260, 301, 305, 350L, 350R                       | Tail Pipe; Muffler                | 16605     | 605         | 63       |
| BUICK     | 1985-87 Somerset 2.5L, 3.0L                                                | 2ND Pipe                          | 16826     | 826         |          |
| CADILLAC  | 1993 Allante 4.6L                                                          | Muffler-Rear                      | 16216     | 216         | 64       |
| CADILLAC  | 1971-76 Calais 472, 500                                                    | Tail Pipe                         | 16605     | 605         | 63       |
| CADILLAC  | 1983-88 Cimarron 112, 121                                                  | Exhaust Pipe - 2ND Pipe           | 16846     | 846         | 64       |
| CADILLAC  | 1985-88 Cimarron 173                                                       | Exhaust Pipe - 2ND Pipe           | 16846     | 846         | 63       |
| CADILLAC  | 1985-93 Deville 252, 260D, 273, 300                                        | 3RD. Pipe; 2ND Pipe; Muffler-Rear | 16228     | 228         | 63       |
| CADILLAC  | 1985-93 Deville 252, 260D, 273, 300                                        | Tail Pipe; Exhaust Pipe-2ND Pipe  | 16806     | 806         | 64       |
| CADILLAC  | 1971-76 Deville 472, 500                                                   | Tail Pipe                         | 16605     | 605         | 63       |
| CADILLAC  | 1985-93 Eldorado 252, 260D, 273, 300                                       | Tail Pipe; Exhaust Pipe-2ND Pipe  | 16806     | 806         | 64       |
| CADILLAC  | 1971-78 Eldorado 425, 472, 500                                             | Tail Pipe                         | 16605     | 605         | 63       |
| CADILLAC  | 1993-94 Fleetwood Brougham 350                                             | Tail Pipe                         | 16828     | 828         | 64       |
| CADILLAC  | 1985-93 Fleetwood 252, 260D, 273, 300                                      | Tail Pipe; Exhaust Pipe-2ND Pipe  | 16806     | 806         | 64       |
| CADILLAC  | 1985-93 Fleetwood Brougham 252, 260D, 273, 300                             | 3RD. Pipe; 2ND Pipe; Muffler-Rear | 16228     | 228         | 63       |
| CADILLAC  | 1971-76 Fleetwood 472, 500                                                 | Tail Pipe                         | 16605     | 605         | 63       |
| CADILLAC  | 1985-93 Seville 252, 260D, 273, 300                                        | Tail Pipe; Exhaust Pipe-2ND Pipe  | 16806     | 806         | 64       |
| CHEVROLET | 1987-92 Beretta 2.0L, 2.2L, 2.3L, 2.8L, 3.1L                               | Muffler-Rear; 2ND Pipe            | 16228     | 228         | 63       |
| CHEVROLET | 1987-91 Beretta 133, 122, 138, 191                                         | Muffler - Rear                    | 16827     | 827         | 64       |
| CHEVROLET | 1990-92 Blazer 4.3L, 5.0L, 5.7L, 6.2L, 6.5L, 7.4L                          | Exhaust Pipe; Converter; Muffler  | 16270     | 16270       | 63       |
| CHEVROLET | 1990-92 Blazer 4.3L, 5.0L, 5.7L, 6.2L, 6.5L, 7.4L                          | Exhaust Pipe; Converter; Muffler  | 16272     | 16272       | 63       |
| CHEVROLET | 1973-79 Blazer 250, 305, 307, 350, 400                                     | Tail Pipe; Muffler                | 16605     | 605         | 63       |
| CHEVROLET | 1990-92 C Series 4.3L, 5.0L, 5.7L, 6.2L, 6.5L, 7.4L                        | Exhaust Pipe; Converter; Muffler  | 16272     | 16272       | 63       |
| CHEVROLET | 1990-92 C Series 4.3L, 5.0L, 5.7L, 6.2L, 6.5L, 7.4L                        | Exhaust Pipe; Converter; Muffler  | 16270     | 16270       | 63       |
| CHEVROLET | 1973-75 C10 Series 250, 292, 307, 350                                      | Tail Pipe; Muffler                | 16605     | 605         | 63       |
| CHEVROLET | 1973-88 C20 250, 292, 250, 307, 350, 454                                   | Tail Pipe; Muffler                | 16605     | 605         | 63       |
| CHEVROLET | 1990-92 Camaro 3.1L                                                        | 2ND Pipe                          | 16826     | 826         | 64       |
| CHEVROLET | 1985-89 Camaro 2.8L                                                        | 2ND Pipe                          | 16826     | 826         | 64       |
| CHEVROLET | 1975-81 Camaro 229, 231, 267, 305, 350                                     | Muffler-Rear; Dual Outlet         | 16605     | 605         | 63       |
| CHEVROLET | 1975-76 Camaro 250                                                         | Muffler-Rear; Dual Outlet         | 16605     | 605         | 63       |
| CHEVROLET | 1993 Caprice 305E, 350 (Exc. Station Wagon )                               | Muffler; Tail Pipe                | 16828     | 828         | 64       |
| CHEVROLET | 1987-92 Cavalier 121,134, 173, 189                                         | Exhaust Pipe - 2ND Pipe           | 16846     | 846         | 64       |
| CHEVROLET | 1983-84 Cavalier 112, 121                                                  | Exhaust Pipe - 2ND Pipe           | 16846     | 846         | 64       |
| CHEVROLET | 1984-90 Celebrity Station Wagon 151, 173, 189, 260D                        | Tail Pipe; Exhaust Pipe-2ND Pipe  | 16806     | 806         | 64       |
| CHEVROLET | 1979-87 Chevette 98 (1.6L), 1.8L (Diesel)                                  | Tail Pipe                         | 16815     | 815         | 64       |
| CHEVROLET | 1976-87 Chevette 1.4L, 1.6L 1.8L Diesel                                    | Muffler-Rear; 2ND Pipe            | 16228     | 228         | 63       |
| CHEVROLET | 1976-78 Chevette 1.4L, 1.6L                                                | Tail Pipe                         | 16204     | 204         | 63       |
| CHEVROLET | 1987-92 Corsica 2.0L, 2.2L, 2.3L, 2.8L, 3.1L                               | Muffler-Rear; 2ND Pipe            | 16228     | 228         | 63       |
| CHEVROLET | 1987-91 Corsica 133, 122, 138, 191                                         | Muffler - Rear                    | 16827     | 827         | 64       |
| CHEVROLET | 1990-92 G Series 4.3L, 5.0L, 5.7L, 6.2L, 6.5L, 7.4L                        | Exhaust Pipe; Converter; Muffler  | 16270     | 16270       | 63       |
| CHEVROLET | 1990-92 G Series 4.3L, 5.0L, 5.7L, 6.2L, 6.5L, 7.4L                        | Exhaust Pipe; Converter; Muffler  | 16272     | 16272       | 63       |
| CHEVROLET | 1975-90 G10 262, 305,350                                                   | Tail Pipe; Muffler                | 16605     | 605         | 63       |
| CHEVROLET | 1973-75 G10 Series 250, 292, 307, 350                                      | Tail Pipe; Muffler                | 16605     | 605         | 63       |
| CHEVROLET | 1973-88 G20 250, 292, 250, 307, 350, 454                                   | Tail Pipe; Muffler                | 16605     | 605         | 63       |
| CHEVROLET | 1990-92 K Series 4.3L, 5.0L, 5.7L, 6.2L, 6.5L, 7.4L                        | Exhaust Pipe; Converter; Muffler  | 16270     | 16270       | 63       |
| CHEVROLET | 1990-92 K Series 4.3L, 5.0L, 5.7L, 6.2L, 6.5L, 7.4L                        | Exhaust Pipe; Converter; Muffler  | 16272     | 16272       | 63       |
| CHEVROLET | 1990-92 Lumina (Exc. A.P.V) 2.5L, 3.1L                                     | Muffler-Rear; 2ND Pipe            | 16228     | 228         | 63       |
| CHEVROLET | 1988-91 Lumina 2.5L, 3.1L, 3.4L                                            | Exhaust Pipe; Muffler-Rear        | 16271     | 16271       | 63       |
| CHEVROLET | 1982-83 LUV 111 (1817cc)                                                   | Exhaust Pipe-1ST. Pipe; Tail Pipe | 16204     | 204         | 63       |
| CHEVROLET | 1975-80 Monza 140,151, 196, 231, 262, 305 (Exc. Station Wagon & "S" Model) | Muffler-Rear; Dual Outlet         | 16605     | 605         | 63       |
| CHEVROLET | 1975-79 Nova 250, 262, 305, 350                                            | Muffler-Rear; Dual Outlet         | 16605     | 605         | 63       |
| CHEVROLET | 1990-92 R Series 4.3L, 5.0L, 5.7L, 6.2L, 6.5L, 7.4L                        | Exhaust Pipe; Converter; Muffler  | 16270     | 16270       | 63       |
| CHEVROLET | 1990-92 R Series 4.3L, 5.0L, 5.7L, 6.2L, 6.5L, 7.4L                        | Exhaust Pipe; Converter; Muffler  | 16272     | 16272       | 63       |

# Rubber Insulator Application Information Cont.

| Make      | Application Information                                                                     | Location                                     | ni Number | Item Number | See Page |
|-----------|---------------------------------------------------------------------------------------------|----------------------------------------------|-----------|-------------|----------|
| CHEVROLET | 1973-75 R10 Series 250, 292, 307, 350                                                       | Tail Pipe; Muffler                           | 16605     | 605         | 63       |
| CHEVROLET | 1985-88 Spectrum 92 (1.5L)                                                                  | Exhaust Pipe-2ND Pipe;<br>Exhaust Pipe-Front | 16825     | 825         | 64       |
| CHEVROLET | 1986-87 Sprint 61 (1.0L)                                                                    | Muffler; Tail Pipe                           | 16828     | 828         | 64       |
| CHEVROLET | 1990-92 Suburban 4.3L, 5.0L, 5.7L, 6.2L, 6.5L, 7.4L                                         | Exhaust Pipe; Converter; Muffler             | 16270     | 16270       | 63       |
| CHEVROLET | 1990-92 Suburban 4.3L, 5.0L, 5.7L, 6.2L, 6.5L, 7.4L                                         | Exhaust Pipe; Converter; Muffler             | 16272     | 16272       | 63       |
| CHEVROLET | 1973-79 Suburban 250, 307, 350                                                              | Tail Pipe; Muffler                           | 16605     | 605         | 63       |
| CHEVROLET | 1990-92 V Series 4.3L, 5.0L, 5.7L, 6.2L, 6.5L, 7.4L                                         | Exhaust Pipe; Converter; Muffler             | 16270     | 16270       | 63       |
| CHRYSLER  | 1984-93 Acclaim 135 (2.2L), 153 (2.5L),156 (2.6L)<br>181 (3.0L), 201 (3.3L) 230 (3.8L)      | Muffler Rear                                 | 16611     | 611         | 62       |
| CHRYSLER  | 1982-93 Acclaim 135 (2.2L), 153 (2.5L), 181 (3.0L),<br>201 (3.3L)                           | Middle Pipe                                  | 16600     | 600         | 61       |
| CHRYSLER  | 1979-93 Champ 1.4L, 1.5L, 1.6L, 2.0L                                                        | Muffler                                      | 16218     | 218         | 62       |
| CHRYSLER  | 1979-83 Cordoba 225, 318                                                                    | Tail Pipe                                    | 16604     | 604         | 61       |
| CHRYSLER  | 1977-83 Cordoba 225, 318                                                                    | Tail Pipe - Front                            | 16605     | 605         | 62       |
| CHRYSLER  | 1984-93 E Class 135 (2.2L), 153 (2.5L),156 (2.6L)<br>181 (3.0L), 201 (3.3L) 230 (3.8L)      | Muffler Rear                                 | 16611     | 611         | 62       |
| CHRYSLER  | 1982-93 E Class 135 (2.2L), 153 (2.5L), 181 (3.0L),<br>201 (3.3L)                           | Middle Pipe                                  | 16600     | 600         | 61       |
| CHRYSLER  | 1982-84 E Class 135 (2.2L) 153 (2.5L), 156 (2.6L)                                           | Muffler-Rear; Tail Pipe                      | 16602     | 602         | 61       |
| CHRYSLER  | 1984-93 Executive 135 (2.2L), 153 (2.5L),156 (2.6L)<br>181 (3.0L), 201 (3.3L) 230 (3.8L)    | Muffler Rear                                 | 16611     | 611         | 62       |
| CHRYSLER  | 1984-93 Fifth Avenue 135 (2.2L), 153 (2.5L),<br>156 (2.6L) 181 (3.0L), 201 (3.3L) 230(3.8L) | Muffler Rear                                 | 16611     | 611         | 62       |
| CHRYSLER  | 1982-93 Fifth Avenue 135 (2.2L), 153 (2.5L),<br>181 (3.0L), 201 (3.3L)                      | Middle Pipe                                  | 16600     | 600         | 61       |
| CHRYSLER  | 1986-89 Fifth Avenue 5.2L                                                                   | Tail Pipe                                    | 16604     | 604         | 61       |
| CHRYSLER  | 1981-89 Fifth Avenue 225, 318                                                               | Tail Pipe - Front                            | 16605     | 605         | 62       |
| CHRYSLER  | 1979-83 Fifth Avenue 225, 318                                                               | Tail Pipe                                    | 16604     | 604         | 61       |
| CHRYSLER  | 1984-93 Imperial 135 (2.2L), 153 (2.5L),156 (2.6L)<br>181 (3.0L), 201 (3.3L) 230 (3.8L)     | Muffler Rear                                 | 16611     | 611         | 62       |
| CHRYSLER  | 1982-93 Imperial 135 (2.2L), 153 (2.5L), 181 (3.0L),<br>201 (3.3L)                          | Middle Pipe                                  | 16600     | 600         | 61       |
| CHRYSLER  | 1977-83 Imperial 225, 318                                                                   | Tail Pipe - Front                            | 16605     | 605         | 62       |
| CHRYSLER  | 1990-93 Laser 1.8L, 2.0L                                                                    | Muffler                                      | 16218     | 218         | 62       |
| CHRYSLER  | 1984-93 Laser 135 (2.2L), 153 (2.5L),156 (2.6L)<br>181 (3.0L), 201 (3.3L) 230 (3.8L)        | Muffler Rear                                 | 16611     | 611         | 62       |
| CHRYSLER  | 1982-93 Laser 135 (2.2L), 153 (2.5L), 181 (3.0L),<br>201 (3.3L)                             | Middle Pipe                                  | 16600     | 600         | 61       |
| CHRYSLER  | 1984-93 LeBaron 135 (2.2L), 153 (2.5L),156 (2.6L)<br>181 (3.0L), 201 (3.3L) 230 (3.8L)      | Muffler Rear                                 | 16611     | 611         | 62       |
| CHRYSLER  | 1982-93 LeBaron 135 (2.2L), 153 (2.5L), 181 (3.0L),<br>201 (3.3L)                           | Middle Pipe                                  | 16600     | 600         | 61       |
| CHRYSLER  | 1982-84 LeBaron 135 (2.2L) 153 (2.5L), 156 (2.6L)                                           | Muffler-Rear; Tail Pipe                      | 16602     | 602         | 61       |
| CHRYSLER  | 1977-83 LeBaron 225, 318                                                                    | Tail Pipe - Front                            | 16605     | 605         | 62       |
| CHRYSLER  | 1977-82 LeBaron 225, 318, 360                                                               | Tail Pipe                                    | 16604     | 604         | 61       |
| CHRYSLER  | 1984-93 Limousine 135 (2.2L), 153 (2.5L),156 (2.6L)<br>181 (3.0L), 201 (3.3L) 230 (3.8L)    | Muffler Rear                                 | 16611     | 611         | 62       |
| CHRYSLER  | 1984-93 New Yorker,135 (2.2L), 153 (2.5L),<br>156 (2.6L) 181 (3.0L), 201 (3.3L) 230 (3.8L)  | Muffler Rear                                 | 16611     | 611         | 62       |
| CHRYSLER  | 1982-93 New Yorker 135 (2.2L), 153 (2.5L),<br>181 (3.0L), 201 (3.3L)                        | Middle Pipe                                  | 16600     | 600         | 61       |
| CHRYSLER  | 1981-89 New Yorker 225, 318                                                                 | Tail Pipe - Front                            | 16605     | 605         | 62       |
| CHRYSLER  | 1982-84 New Yorker 135 (2.2L) 153 (2.5L),<br>156 (2.6L)                                     | Muffler-Rear; Tail Pipe                      | 16602     | 602         | 61       |

# Rubber Insulator Application Information Cont.

| Make     | Application Information                                                                        | Location                | ni Number | Item Number | See Page |
|----------|------------------------------------------------------------------------------------------------|-------------------------|-----------|-------------|----------|
| CHRYSLER | 1979-83 New Yorker 225, 318                                                                    | Tail Pipe               | 16604     | 604         | 61       |
| CHRYSLER | 1986-89 Newport 5.2L                                                                           | Tail Pipe               | 16604     | 604         | 61       |
| CHRYSLER | 1979-83 Newport 225, 318                                                                       | Tail Pipe               | 16604     | 604         | 61       |
| CHRYSLER | 1984-93 Salon 135 (2.2L), 153 (2.5L), 156 (2.6L)<br>181 (3.0L), 201 (3.3L) 230 (3.8L)          | Muffler Rear            | 16611     | 611         | 62       |
| CHRYSLER | 1989-92 Summit 1.5L, 1.6L                                                                      | Muffler                 | 16218     | 218         | 62       |
| CHRYSLER | 1984-93 Town & Country 135 (2.2L), 153 (2.5L),<br>156 (2.6L) 181 (3.0L), 201 (3.3L) 230 (3.8L) | Muffler Rear            | 16611     | 611         | 62       |
| CHRYSLER | 1979-93 Vista 4WD 1.4L, 1.5L, 1.6L, 2.0L                                                       | Muffler                 | 16218     | 218         | 62       |
| DODGE    | 1984-93 400 135 (2.2L), 153 (2.5L), 156 (2.6L)<br>181 (3.0L), 201 (3.3L) 230 (3.8L)            | Muffler Rear            | 16611     | 611         | 62       |
| DODGE    | 1978-90 400 98 (1.6L), 105 (1.7L), 135 (2.2L),<br>153 (2.5L), 156 (2.6L)                       | Middle Pipe             | 16600     | 600         | 61       |
| DODGE    | 1981-84 400 1.5 (2.2L), 156 (2.6L)                                                             | Muffler-Rear; Tail Pipe | 16602     | 602         | 61       |
| DODGE    | 1984-93 600 135 (2.2L), 153 (2.5L), 156 (2.6L)<br>181 (3.0L), 201 (3.3L) 230 (3.8L)            | Muffler Rear            | 16611     | 611         | 62       |
| DODGE    | 1978-90 600 98 (1.6L), 105 (1.7L), 135 (2.2L),<br>153 (2.5L), 156 (2.6L)                       | Middle Pipe             | 16600     | 600         | 61       |
| DODGE    | 1981-84 600 1.5 (2.2L), 156 (2.6L)                                                             | Muffler-Rear; Tail Pipe | 16602     | 602         | 61       |
| DODGE    | 1978-90 600 98 (1.6L), 105 (1.7L), 135 (2.2L),<br>153 (2.5L), 156 (2.6L)                       | Middle Pipe             | 16600     | 600         | 61       |
| DODGE    | 1984-93 Aries 135 (2.2L), 153 (2.5L), 156 (2.6L)<br>181 (3.0L), 201 (3.3L) 230 (3.8L)          | Muffler Rear            | 16611     | 611         | 62       |
| DODGE    | 1981-84 Aries 1.5 (2.2L), 156 (2.6L)                                                           | Muffler-Rear; Tail Pipe | 16602     | 602         | 61       |
| DODGE    | 1977-83 Aspen 225, 318                                                                         | Tail Pipe - Front       | 16605     | 605         | 62       |
| DODGE    | 1977-82 Aspen 225, 318, 360                                                                    | Tail Pipe               | 16604     | 604         | 61       |
| DODGE    | 1984-93 Charger 135 (2.2L), 153 (2.5L), 156 (2.6L)<br>181 (3.0L), 201 (3.3L) 230 (3.8L)        | Muffler Rear            | 16611     | 611         | 62       |
| DODGE    | 1978-90 Charger 98 (1.6L), 105 (1.7L), 135 (2.2L),<br>153 (2.5L), 156 (2.6L)                   | Middle Pipe             | 16600     | 600         | 61       |
| DODGE    | 1979-93 Colt 1.4L, 1.5L, 1.6L, 2.0L                                                            | Muffler                 | 16218     | 218         | 62       |
| DODGE    | 1984-93 Daytona 135 (2.2L), 153 (2.5L), 156 (2.6L)<br>181 (3.0L), 201 (3.3L) 230 (3.8L)        | Muffler Rear            | 16611     | 611         | 62       |
| DODGE    | 1982-93 Daytona 135 (2.2L), 153 (2.5L), 181 (3.0L),<br>201 (3.3L)                              | Middle Pipe             | 16600     | 600         | 61       |
| DODGE    | 1986-89 Diplomat 5.2L                                                                          | Tail Pipe               | 16604     | 604         | 61       |
| DODGE    | 1981-89 Diplomat 225, 318                                                                      | Tail Pipe - Front       | 16605     | 605         | 62       |
| DODGE    | 1977-82 Diplomat 225, 318, 360                                                                 | Tail Pipe               | 16604     | 604         | 61       |
| DODGE    | 1984-93 Dynasty 135 (2.2L), 153 (2.5L), 156 (2.6L)<br>181 (3.0L), 201 (3.3L) 230 (3.8L)        | Muffler Rear            | 16611     | 611         | 62       |
| DODGE    | 1982-93 Dynasty 135 (2.2L), 153 (2.5L), 181 (3.0L),<br>201 (3.3L)                              | Middle Pipe             | 16600     | 600         | 61       |
| DODGE    | 1984-93 Lancer, 135 (2.2L), 153 (2.5L), 156 (2.6L)<br>181 (3.0L), 201 (3.3L) 230 (3.8L)        | Muffler Rear            | 16611     | 611         | 62       |
| DODGE    | 1982-93 Lancer 135 (2.2L), 153 (2.5L), 181 (3.0L),                                             | Middle Pipe             | 16600     | 600         | 61       |
| DODGE    | 1977-82 Magnum 225, 318, 360                                                                   | Tail Pipe               | 16604     | 604         | 61       |
| DODGE    | 1981-89 Mirada 225, 318                                                                        | Tail Pipe - Front       | 16605     | 605         | 62       |
| DODGE    | 1977-82 Mirada 225, 318, 360                                                                   | Tail Pipe               | 16604     | 604         | 61       |
| DODGE    | 1978-90 Omni (1.6L), 105 (1.7L), 135 (2.2L)                                                    | Muffler-Rear; Tail Pipe | 16602     | 602         | 61       |
| DODGE    | 1978-90 Omni 98 (1.6L), 105 (1.7L), 135 (2.2L),<br>153 (2.5L), 156 (2.6L)                      | Middle Pipe             | 16600     | 600         | 61       |
| DODGE    | 1984-93 Shadow 135 (2.2L), 153 (2.5L), 156 (2.6L)<br>181 (3.0L), 201 (3.3L) 230 (3.8L)         | Muffler Rear            | 16611     | 611         | 62       |
| DODGE    | 1982-93 Shadow 135 (2.2L), 153 (2.5L), 181 (3.0L),<br>201 (3.3L)                               | Middle Pipe             | 16600     | 600         | 61       |

# Rubber Insulator Application Information Cont.

| Make  | Application Information                                                                                      | Location                                   | ni Number | Item Number | See Page |
|-------|--------------------------------------------------------------------------------------------------------------|--------------------------------------------|-----------|-------------|----------|
| DODGE | 1984-93 Spirit 135 (2.2L), 153 (2.5L), 156 (2.6L)<br>181 (3.0L), 201 (3.3L) 230 (3.8L)                       | Muffler Rear                               | 16611     | 611         | 62       |
| DODGE | 1982-93 Spirit 135 (2.2L), 153 (2.5L), 181 (3.0L),<br>201 (3.3L)                                             | Middle Pipe                                | 16600     | 600         | 61       |
| DODGE | 1977-82 ST Regis 225, 318, 360                                                                               | Tail Pipe                                  | 16604     | 604         | 61       |
| DODGE | 1990-92 D50 2.4L, 3.0L                                                                                       | Muffler                                    | 16218     | 218         | 62       |
| DODGE | 1990-92 Ram 50 2.4L, 3.0L                                                                                    | Muffler                                    | 16218     | 218         | 62       |
| DODGE | 1987-90 Van 2.4L                                                                                             | Muffler                                    | 16218     | 218         | 62       |
| EAGLE | 1989-92 Talon 1.5L, 1.6L                                                                                     | Muffler                                    | 16218     | 218         | 62       |
| FORD  | 1983-93 Bronco 300 (4.9L), 302 (5.0L), 351 (5.8L)                                                            | Tail Pipe-Single;<br>Exhaust Pipe-2ND Pipe | 16247     | 16247       | 62       |
| FORD  | 1983-93 Bronco 300 (4.9L), 302 (5.0L), 351 (5.8L)                                                            | Muffler                                    | 16707     | 707         | 62       |
| FORD  | 1983-93 Capri 140 (2.3L) 302 (5.0L)                                                                          | Muffler                                    | 16707     | 707         | 62       |
| FORD  | 1983-93 Capri 140 (2.3L), 302 (5.0L)                                                                         | Tail Pipe-Single                           | 16247     | 16247       | 62       |
| FORD  | 1983-86 Capri 140 (2.3L), 200 (3.3L), 232 (3.8L),<br>302 (5.0L)                                              | Tail Pipe                                  | 16712     | 16712       | 63       |
| FORD  | 1981-86 Capri 140 (2.3L), 200 (3.3L), 232 (3.8L),<br>302 (5.0L)                                              | Tail Pipe; Muffler                         | 16713     | 16713       | 63       |
| FORD  | 1971-78 Capri 122 (2000cc), 140 (2300cc),<br>159 (2600cc), 171 (2800cc)                                      | Muffler-Dual; Tail Pipe;<br>Muffler-Single | 16204     | 204         | 62       |
| FORD  | 1988-93 Continental 232 (3.8L)                                                                               | Connector Pipe; Tail Pipe-Rear             | 16720     | 16720       | 63       |
| FORD  | 1989-93 Cougar 232 (3.8L), 302 (5.0L)                                                                        | Tail Pipe-Single                           | 16247     | 16247       | 62       |
| FORD  | 1989-92 Cougar 232 (3.8L), 302 (5.0L)                                                                        | Muffler                                    | 16707     | 707         | 62       |
| FORD  | 1983-86 Cougar 140 (2.3L), 200 (3.3L), 232 (3.8L),<br>302 (5.0L)                                             | Tail Pipe                                  | 16712     | 16712       | 63       |
| FORD  | 1983-86 Cougar 140 (2.3L), 232 (3.8L), 302 (5.0L)                                                            | Connector Pipe; Tail Pipe-Rear             | 16720     | 16720       | 63       |
| FORD  | 1981-86 Cougar 140 (2.3L), 200 (3.3L), 232 (3.8L),<br>302 (5.0L)                                             | Tail Pipe; Muffler                         | 16713     | 16713       | 63       |
| FORD  | 1992 Crown Victoria 4.6L                                                                                     | Exhaust Pipe; Muffler; Converter           | 16216     | 216         | 62       |
| FORD  | 1987-93 E 100 Series 300 (4.9L), 302 (5.0L), 351 (5.8L),<br>448 (7.3L Diesel), 420 (6.9L Diesel), 460 (7.5L) | Muffler                                    | 16707     | 707         | 62       |
| FORD  | 1987-93 E 100 Series 300 (4.9L), 302 (5.0L), 351 (5.8L),<br>448 (7.3L Diesel), 420 (6.9L Diesel), 460 (7.5L) | Tail Pipe-Single;<br>Exhaust Pipe-2ND Pipe | 16247     | 16247       | 62       |
| FORD  | 1987-93 E 200 Series 300 (4.9L), 302 (5.0L), 351 (5.8L),<br>448 (7.3L Diesel), 420 (6.9L Diesel), 460 (7.5L) | Tail Pipe-Single;<br>Exhaust Pipe-2ND Pipe | 16247     | 16247       | 62       |
| FORD  | 1987-93 E 200 Series 300 (4.9L), 302 (5.0L), 351 (5.8L),<br>448 (7.3L Diesel), 420 (6.9L Diesel), 460 (7.5L) | Muffler                                    | 16707     | 707         | 62       |
| FORD  | 1987-93 E 300 Series 300 (4.9L), 302 (5.0L), 351 (5.8L),<br>448 (7.3L Diesel), 420 (6.9L Diesel), 460 (7.5L) | Tail Pipe-Single;<br>Exhaust Pipe-2ND Pipe | 16247     | 16247       | 62       |
| FORD  | 1987-93 E 300 Series 300 (4.9L), 302 (5.0L), 351 (5.8L),<br>448 (7.3L Diesel), 420 (6.9L Diesel), 460 (7.5L) | Muffler                                    | 16707     | 707         | 62       |
| FORD  | 1983-90 Escort 98 (1.6L), 116 (1.9L), 122 (2.0L)                                                             | Connector Pipe; Tail Pipe-Rear             | 16720     | 16720       | 63       |
| FORD  | 1981-90 Escort 98 (1.6L), 116 (1.9L)                                                                         | Muffler; Connector Pipe                    | 16704     | 704         | 62       |
| FORD  | 1983-90 EXP 98 (1.6L), 116 (1.9L), 122 (2.0L)                                                                | Connector Pipe; Tail Pipe-Rear             | 16720     | 16720       | 63       |
| FORD  | 1981-90 EXP 98 (1.6L), 116 (1.9L)                                                                            | Muffler; Connector Pipe                    | 16704     | 704         | 62       |
| FORD  | 1991-93 Explorer 244 (4.0L)                                                                                  | Tail Pipe-Single;<br>Exhaust Pipe-2ND Pipe | 16247     | 16247       | 62       |
| FORD  | 1991-93 Explorer 244 (4.0L)                                                                                  | Muffler                                    | 16707     | 707         | 62       |



# Rubber Insulator Application Information Cont.

| Make | Application Information                                                                                   | Location                                   | ni Number | Item Number | See Page |
|------|-----------------------------------------------------------------------------------------------------------|--------------------------------------------|-----------|-------------|----------|
| FORD | 1987-93 F 100 Series 300 (4.9L), 302 (5.0L), 351 (5.8L), 448 (7.3L Diesel), 420 (6.9L Diesel), 460 (7.5L) | Muffler                                    | 16707     | 707         | 62       |
| FORD | 1987-93 F 100 Series 300 (4.9L), 302 (5.0L), 351 (5.8L), 448 (7.3L Diesel), 420 (6.9L Diesel), 460 (7.5L) | Tail Pipe-Single;<br>Exhaust Pipe-2ND Pipe | 16247     | 16247       | 62       |
| FORD | 1987-93 F 200 Series 300 (4.9L), 302 (5.0L), 351 (5.8L), 448 (7.3L Diesel), 420 (6.9L Diesel), 460 (7.5L) | Tail Pipe-Single;<br>Exhaust Pipe-2ND Pipe | 16247     | 16247       | 62       |
| FORD | 1987-93 F 200 Series 300 (4.9L), 302 (5.0L), 351 (5.8L), 448 (7.3L Diesel), 420 (6.9L Diesel), 460 (7.5L) | Muffler                                    | 16707     | 707         | 62       |
| FORD | 1987-93 F 300 Series 300 (4.9L), 302 (5.0L), 351 (5.8L), 448 (7.3L Diesel), 420 (6.9L Diesel), 460 (7.5L) | Tail Pipe-Single;<br>Exhaust Pipe-2ND Pipe | 16247     | 16247       | 62       |
| FORD | 1987-93 F 300 Series 300 (4.9L), 302 (5.0L), 351 (5.8L), 448 (7.3L Diesel), 420 (6.9L Diesel), 460 (7.5L) | Muffler                                    | 16707     | 707         | 62       |
| FORD | 1983-86 Fairmont 140 (2.3L), 200 (3.3L), 232 (3.8L), 302 (5.0L)                                           | Tail Pipe                                  | 16712     | 16712       | 63       |
| FORD | 1978-80 Fiesta 98 (1.6L)                                                                                  | Muffler; TailPipe                          | 16213     | 213         | 62       |
| FORD | 1978-80 Fiesta 98 (1.6L)                                                                                  | Tail Pipe; Muffler                         | 16713     | 16713       | 63       |
| FORD | 1981-86 Granada 140 (2.3L), 200 (3.3L), 232 (3.8L), 302 (5.0L)                                            | Tail Pipe; Muffler                         | 16713     | 16713       | 63       |
| FORD | 1992 Grand Marquis 4.6L                                                                                   | Exhaust Pipe; Muffler; Converter           | 16216     | 216         | 62       |
| FORD | 1990-91 Grand Marquis 4.6L, 5.0L                                                                          | Tail Pipe; Muffler                         | 16273     | 16273       | 62       |
| FORD | 1992 Lincoln Town Car 4.6L                                                                                | Exhaust Pipe; Muffler; Converter           | 16216     | 216         | 62       |
| FORD | 1990-91 Lincoln Town Car 4.6L, 5.0L                                                                       | Tail Pipe; Muffler                         | 16273     | 16273       | 62       |
| FORD | 1990 Lincoln Town Car 5.0L                                                                                | Exhaust Pipe; Muffler; Converter           | 16216     | 216         | 62       |
| FORD | 1983-90 LN7 98 (1.6L), 116 (1.9L), 122 (2.0L)                                                             | Connector Pipe; Tail Pipe-Rear             | 16720     | 16720       | 63       |
| FORD | 1981-90 LN7 98 (1.6L), 116 (1.9L)                                                                         | Muffler; Connector Pipe                    | 16704     | 704         | 62       |
| FORD | 1990-91 LTD 4.6L, 5.0L                                                                                    | Tail Pipe; Muffler                         | 16273     | 16273       | 62       |
| FORD | 1983-86 LTD 140 (2.3L), 200 (3.3L), 232 (3.8L), 302 (5.0L)                                                | Tail Pipe                                  | 16712     | 16712       | 63       |
| FORD | 1981-86 LTD 140 (2.3L), 200 (3.3L), 232 (3.8L), 302 (5.0L)                                                | Tail Pipe; Muffler                         | 16713     | 16713       | 63       |
| FORD | 1981-90 Lynx, 98 (1.6L), 116 (1.9L)                                                                       | Muffler; Connector Pipe                    | 16704     | 704         | 62       |
| FORD | 1983-86 Marquis 140 (2.3L), 200 (3.3L), 232 (3.8L), 302 (5.0L)                                            | Tail Pipe                                  | 16712     | 16712       | 63       |
| FORD | 1981-86 Marquis 140 (2.3L), 200 (3.3L), 232 (3.8L), 302 (5.0L)                                            | Tail Pipe; Muffler                         | 16713     | 16713       | 63       |
| FORD | 1983-93 Mustang 140 (2.3L) 302 (5.0L)                                                                     | Muffler                                    | 16707     | 707         | 62       |
| FORD | 1983-93 Mustang 140 (2.3L), 302 (5.0L)                                                                    | Tail Pipe-Single                           | 16247     | 16247       | 62       |
| FORD | 1983-86 Mustang 140 (2.3L), 200 (3.3L), 232 (3.8L), 302 (5.0L)                                            | Tail Pipe                                  | 16712     | 16712       | 63       |
| FORD | 1981-86 Mustang, 140 (2.3L), 200 (3.3L), 232 (3.8L), 302 (5.0L)                                           | Tail Pipe; Muffler                         | 16713     | 16713       | 63       |
| FORD | 1989-92 Probe 2.2L, 3.0L                                                                                  | Exhaust Pipe; Muffler; Converter           | 16216     | 216         | 62       |
| FORD | 1985-93 Ranger 122 (2.0L), 140 (2.3L), 177 (2.9L), 183 (3.0L)                                             | Muffler                                    | 16707     | 707         | 62       |
| FORD | 1985-93 Ranger 122 (2.0L), 140 (2.3L), 177 (2.9L), 183 (3.0L), 244 (4.0L)                                 | Tail Pipe-Single;<br>Exhaust Pipe-2ND Pipe | 16247     | 16247       | 62       |
| FORD | 1986-93 Sable 140 (2.3L), 153 (2.5L), 182 (3.0L), 232 (3.8L)                                              | Connector Pipe; Tail Pipe-Rear             | 16720     | 16720       | 63       |
| FORD | 1990-91 Sable 4.6L, 5.0L                                                                                  | Tail Pipe; Muffler                         | 16273     | 16273       | 62       |
| FORD | 1986-87 Sable 153                                                                                         | Muffler; Connector Pipe                    | 16704     | 704         | 62       |

# Rubber Insulator Application Information Cont.

| Make | Application Information                                            | Location                                     | ni Number | Item Number | See Page |
|------|--------------------------------------------------------------------|----------------------------------------------|-----------|-------------|----------|
| FORD | 1985-89 Scorpio,140 (2.3L), 177 (2.9L)                             | Muffler; TailPipe                            | 16213     | 213         | 62       |
| FORD | 1986-93 Taurus 140 (2.3L), 153 (2.5L), 182 (3.0L), 232 (3.8L)      | Connector Pipe; Tail Pipe-Rear               | 16720     | 16720       | 63       |
| FORD | 1990-91 Taurus 4.6L, 5.0L                                          | Tail Pipe; Muffler                           | 16273     | 16273       | 62       |
| FORD | 1986-87 Taurus 153                                                 | Muffler; Connector Pipe                      | 16704     | 704         | 62       |
| FORD | 1991-92 Taurus Police, SHO 183 (3.0L), 230 (3.8L)                  | Muffler; Connector Pipe                      | 16704     | 704         | 62       |
| FORD | 1984-93 Tempo 122 (2.0L), 140 (2.3L), 182 (3.0L)                   | Connector Pipe; Tail Pipe-Rear               | 16720     | 16720       | 63       |
| FORD | 1984-93 Tempo 122 (2.0L), 140 (2.3L), 182 (3.0L)                   | Muffler; Connector Pipe                      | 16704     | 704         | 62       |
| FORD | 1989-93 Thunderbird 232 (3.8L), 302 (5.0L)                         | Tail Pipe-Single                             | 16247     | 16247       | 62       |
| FORD | 1989-92 Thunderbird 232 (3.8L), 302 (5.0L)                         | Muffler                                      | 16707     | 707         | 62       |
| FORD | 1989-92 Thunderbird 232 (3.8L), 302 (5.0L)                         | Muffler                                      | 16707     | 707         | 62       |
| FORD | 1983-86 Thunderbird 140 (2.3L), 200 (3.3L), 232 (3.8L), 302 (5.0L) | Tail Pipe                                    | 16712     | 16712       | 63       |
| FORD | 1983-86 Thunderbird 140 (2.3L), 232 (3.8L), 302 (5.0L)             | Connector Pipe; Tail Pipe-Rear               | 16720     | 16720       | 63       |
| FORD | 1981-86 Thunderbird 140 (2.3L), 200 (3.3L), 232 (3.8L), 302 (5.0L) | Tail Pipe; Muffler                           | 16713     | 16713       | 63       |
| FORD | 1984-93 Topaz 122 (2.0L), 140 (2.3L), 182 (3.0L)                   | Connector Pipe; Tail Pipe-Rear               | 16720     | 16720       | 63       |
| FORD | 1984-93 Topaz 122 (2.0L), 140 (2.3L), 182 (3.0L)                   | Muffler; Connector Pipe                      | 16704     | 704         | 62       |
| FORD | 1985-89 XR4Ti 140 (2.3L)                                           | Tail Pipe; Muffler                           | 16713     | 16713       | 63       |
| FORD | 1985-89 XR4Ti 140 (2.3L)                                           | Tail Pipe-Single                             | 16247     | 16247       | 62       |
| FORD | 1985-89 XR4TI 140 (2.3L)                                           | Muffler                                      | 16707     | 707         | 62       |
| FORD | 1985-89 XR4TI 140 (2.3L) 177 (2.9L)                                | Muffler; TailPipe                            | 16213     | 213         | 62       |
| FORD | 1983-86 Zephyr 140 (2.3L), 200 (3.3L),232 (3.8L), 302 (5.0L)       | Tail Pipe                                    | 16712     | 16712       | 63       |
| FORD | 1981-86 Zephyr 140 (2.3L), 200 (3.3L), 232 (3.8L), 302 (5.0L)      | Tail Pipe; Muffler                           | 16713     | 16713       | 63       |
| GEO  | 1989-93 Metro 61 (1.0L)                                            | Muffler; Tail Pipe                           | 16828     | 828         | 64       |
| GEO  | 1990-93 Prism 97 (1.6L)                                            | Muffler; Tail Pipe                           | 16828     | 828         | 64       |
| GEO  | 1989 Spectrum 92 (1.5L)                                            | Exhaust Pipe-2ND Pipe;<br>Exhaust Pipe-Front | 16825     | 825         | 64       |
| GEO  | 1991-93 Storm 98, 110                                              | Exhaust Pipe-2ND Pipe;<br>Exhaust Pipe-Front | 16825     | 825         | 64       |
| GEO  | 1989-93 Tracker 79 (1.3L), 97 (1.6L)                               | Muffler; Tail Pipe                           | 16828     | 828         | 64       |
| GMC  | 1990-92 C Series 4.3L, 5.0L, 5.7L, 6.2L, 6.5L, 7.4L                | Exhaust Pipe; Muffler; Converter             | 16270     | 16270       | 63       |
| GMC  | 1990-92 C Series 4.3L, 5.0L, 5.7L, 6.2L, 6.5L, 7.4L                | Exhaust Pipe; Converter; Muffler             | 16272     | 16272       | 63       |
| GMC  | 1973-75 C1500 Series 250, 292, 307, 350                            | Tail Pipe; Muffler                           | 16605     | 605         | 63       |
| GMC  | 1973-88 C2500 Series 250, 292, 250, 307, 350, 454                  | Tail Pipe; Muffler                           | 16605     | 605         | 63       |
| GMC  | 1990-92 G Series 4.3L, 5.0L, 5.7L, 6.2L, 6.5L, 7.4L                | Exhaust Pipe; Converter; Muffler             | 16272     | 16272       | 63       |
| GMC  | 1990-92 G Series 4.3L, 5.0L, 5.7L, 6.2L, 6.5L, 7.4L                | Exhaust Pipe; Muffler; Converter             | 16270     | 16270       | 63       |
| GMC  | 1975-90 G1500 Series 262, 305,350                                  | Tail Pipe; Muffler                           | 16605     | 605         | 63       |
| GMC  | 1973-75 G1500 Series 250, 292, 307, 350                            | Tail Pipe; Muffler                           | 16605     | 605         | 63       |
| GMC  | 1973-88 G2500 Series 250, 292, 250, 307, 350, 454                  | Tail Pipe; Muffler                           | 16605     | 605         | 63       |
| GMC  | 1990-92 Jimmy 4.3L, 5.0L, 5.7L, 6.2L, 6.5L, 7.4L                   | Exhaust Pipe; Muffler; Converter             | 16270     | 16270       | 63       |
| GMC  | 1990-92 Jimmy 4.3L, 5.0L, 5.7L, 6.2L, 6.5L, 7.4L                   | Exhaust Pipe; Converter; Muffler             | 16272     | 16272       | 63       |
| GMC  | 1973-79 Jimmy 250, 305, 307, 350, 400                              | Tail Pipe; Muffler                           | 16605     | 605         | 63       |
| GMC  | 1990-92 K Series 4.3L, 5.0L, 5.7L, 6.2L, 6.5L, 7.4L                | Exhaust Pipe; Converter; Muffler             | 16272     | 16272       | 63       |
| GMC  | 1990-92 K Series 4.3L, 5.0L, 5.7L, 6.2L, 6.5L, 7.4L                | Exhaust Pipe; Muffler; Converter             | 16270     | 16270       | 63       |
| GMC  | 1990-92 R Series 4.3L, 5.0L, 5.7L, 6.2L, 6.5L, 7.4L                | Exhaust Pipe; Converter; Muffler             | 16272     | 16272       | 63       |
| GMC  | 1990-92 R Series 4.3L, 5.0L, 5.7L, 6.2L, 6.5L, 7.4L                | Exhaust Pipe; Muffler; Converter             | 16270     | 16270       | 63       |
| GMC  | 1973-75 R1500 Series 250, 292, 307, 350                            | Tail Pipe; Muffler                           | 16605     | 605         | 63       |
| GMC  | 1990-92 Suburban 4.3L, 5.0L, 5.7L, 6.2L, 6.5L, 7.4L                | Exhaust Pipe; Converter; Muffler             | 16272     | 16272       | 63       |
| GMC  | 1990-92 Suburban 4.3L, 5.0L, 5.7L, 6.2L, 6.5L, 7.4L                | Exhaust Pipe; Muffler; Converter             | 16270     | 16270       | 63       |
| GMC  | 1973-79 Suburban 250, 307, 350                                     | Tail Pipe; Muffler                           | 16605     | 605         | 63       |
| GMC  | 1990-92 V Series 4.3L, 5.0L, 5.7L, 6.2L, 6.5L, 7.4L                | Exhaust Pipe; Converter; Muffler             | 16272     | 16272       | 63       |

# Rubber Insulator Application Information Cont.

| Make  | Application Information                                                  | Location                                            | ni Number | Item Number | See Page |
|-------|--------------------------------------------------------------------------|-----------------------------------------------------|-----------|-------------|----------|
| GMC   | 1990-92 V Series 4.3L, 5.0L, 5.7L, 6.2L, 6.5L, 7.4L                      | Exhaust Pipe; Muffler; Converter                    | 16270     | 16270       | 63       |
| GMC   | 1990-92 Yukon 4.3L, 5.0L, 5.7L, 6.2L, 6.5L, 7.4L                         | Exhaust Pipe; Muffler; Converter                    | 16270     | 16270       | 63       |
| GMC   | 1990-92 Yukon 4.3L, 5.0L, 5.7L, 6.2L, 6.5L, 7.4L                         | Exhaust Pipe; Converter; Muffler                    | 16272     | 16272       | 63       |
| HONDA | 1979-93 Accord 1590cc (1.6L), 1829cc (1.8L), 1955cc (2.0L), 1958 (2.0L)  | Muffler - Front                                     | 16219     | 219         | 65       |
| HONDA | 1986-90 Accord 2.0L                                                      | Converter; Exhaust Pipe                             | 16273     | 16273       | 65       |
| HONDA | 1976-90 Accord 1590cc (1.6L), 1829cc (1.8L)                              | Exhaust Pipe - 2ND Pipe                             | 16215     | 215         | 64       |
| HONDA | 1981-91 Civic Hatchback, Sedan, Station Wagon 91 (1.5L)                  | Exhaust Pipe-2ND Pipe; Muffler-Rear                 | 16827     | 827         | 65       |
| HONDA | 1985-87 Civic Station Wagon 1493cc (1.5L)                                | Muffler                                             | 16828     | 828         | 65       |
| HONDA | 1980-83 Civic 1300cc, 1493cc (1.5L), 1590cc (1.6L)                       | Muffler - Front                                     | 16219     | 219         | 65       |
| HONDA | 1976-79 Civic 1493cc (1.5L)                                              | Exhaust Pipe - 2ND Pipe                             | 16215     | 215         | 64       |
| HONDA | 1975-80 Civic 1237cc, 1300cc, 1487cc                                     | Muffler; Exhaust Pipe-1ST                           | 16214     | 214         | 65       |
| HONDA | 1973-79 Civic 1169cc, 1237cc                                             | Exhaust Pipe-2ND Pipe; Tail Pipe; Exhaust Pipe-1ST. | 16221     | 221         | 65       |
| HONDA | 1984-91 CRX 1342cc (1.3L), 1493cc (1.5L)                                 | Muffler - Front                                     | 16219     | 219         | 65       |
| HONDA | 1984-87 CRX 82 (1.3L), 91 (1.5L)                                         | Exhaust Pipe-2ND Pipe; Muffler-Rear                 | 16827     | 827         | 65       |
| HONDA | 1992 Prelude 2.2L, 2.3L                                                  | Converter; Exhaust Pipe                             | 16273     | 16273       | 65       |
| HONDA | 1983-91 Prelude 1829cc (1.8L), 1958cc (2.0L)                             | Muffler - Front                                     | 16219     | 219         | 65       |
| HONDA | 1979-93 Prelude 1590cc (1.6L), 1829cc (1.8L), 1955cc (2.0L), 1958 (2.0L) | Muffler - Front                                     | 16219     | 219         | 65       |
| HONDA | 1981-82 Prelude 107 (1.8L)                                               | Exhaust Pipe-2ND Pipe; Muffler-Rear                 | 16827     | 827         | 65       |
| HONDA | 1979-80 Prelude 1829cc (1.8L)                                            | Exhaust Pipe - 2ND Pipe                             | 16215     | 215         | 64       |
| ISUZU | 1987-89 I-Mark 90                                                        | Exhaust Pipe-2ND Pipe; Exhaust Pipe-Front           | 16825     | 825         | 65       |
| ISUZU | 1981-85 I-Mark 1.8L GAS (1800cc)                                         | Muffler - Front                                     | 16204     | 204         | 65       |
| ISUZU | 1984-92 Impulse 97, 110, 121, 137                                        | Exhaust Pipe-2ND Pipe;                              | 16825     | 825         | 65       |
| ISUZU | 1989-90 Pickup 2.6L                                                      | Tail Pipe; Connector Pipe                           | 16223     | 223         | 65       |
| ISUZU | 1981-92 Pickup 2.2L (Diesel), 2.3L, 2.6L, 3.1L                           | Muffler - Front                                     | 16204     | 204         | 65       |
| ISUZU | 1991-92 Rodeo 2.6L, 3.1L                                                 | Tail Pipe; Exhaust Pipe-1ST.                        | 16204     | 204         | 65       |
| ISUZU | 1991-93 Stylus 97                                                        | Exhaust Pipe-2ND Pipe; Exhaust Pipe-Front           | 16825     | 825         | 65       |
| ISUZU | 1989-91 Trooper 2.6L, 2.8L                                               | Tail Pipe; Connector Pipe                           | 16223     | 223         | 65       |
| ISUZU | 1984-91 Trooper 1.9L, 2.2L (Diesel), 2.3L, 2.6L                          | Muffler - Front                                     | 16204     | 204         | 65       |
| JEEP  | 1991 Briarwood 150 (2.5L), 242 (4.0L)                                    | Tail Pipe                                           | 16211     | 16211       | 65       |
| JEEP  | 1984-94 Cherokee 150 (2.5L), 173 (2.8L), 242 (4.0L)                      | Tail Pipe                                           | 16211     | 16211       | 65       |
| JEEP  | 1979-86 CJ5, CJ7, CJ8 151, 258                                           | Tail Pipe                                           | 16605     | 605         | 62       |
| JEEP  | 1986-93 Comanche 126 (2.1L Diesel), 150 (2.5L), 242 (4.0L)               | Tail Pipe                                           | 16211     | 16211       | 65       |
| JEEP  | 1984-90 Wagoneer 126 (2.1L Diesel), 150 (2.5L), 173 (2.8L), 242 (4.0L)   | Tail Pipe                                           | 16211     | 16211       | 65       |
| JEEP  | 1987-92 Wrangler 2.5L, 242 (4.0L), 258 (4.2L)                            | Tail Pipe - Rear                                    | 16606     | 606         | 65       |
| MAZDA | 1987-93 323 1.6L, 1.8L                                                   | Converter; Muffler; Connector Pipe                  | 16223     | 223         | 66       |
| MAZDA | 1983-92 626 122, (2.0L Diesel) 2.0L (GAS), 2.2L                          | Converter; Muffler; Connector Pipe                  | 16223     | 223         | 66       |
| MAZDA | 1975-78 808 1586cc (1.6L)                                                | Tail Pipe                                           | 16224     | 224         | 66       |
| MAZDA | 1988-92 929 3.0L                                                         | Converter; Muffler; Connector Pipe                  | 16223     | 223         | 66       |
| MAZDA | 1986-93 B2000 2.0L, 2.2L, 2.6L                                           | Tail Pipe; Connector Pipe; Muffler                  | 16247     | 16247       | 66       |
| MAZDA | 1986-93 B2000 2.0L, 2.2L, 2.6L                                           | Muffler                                             | 16707     | 707         | 66       |
| MAZDA | 1986-93 B2600 2.0L, 2.2L, 2.6L                                           | Muffler                                             | 16707     | 707         | 66       |
| MAZDA | 1986-93 B2600 2.0L, 2.2L, 2.6L                                           | Tail Pipe; Connector Pipe; Muffler                  | 16247     | 16247       | 66       |
| MAZDA | 1977-85 GLC 1.3L, 1.4L, 1.5L                                             | Converter; Muffler; Connector Pipe                  | 16223     | 223         | 66       |
| MAZDA | 1990-93 Miata 1.6L                                                       | Converter; Muffler; Connector Pipe                  | 16223     | 223         | 66       |
| MAZDA | 1990 Miata 1.6L                                                          | Converter; Muffler; Tail Pipe-Front                 | 16216     | 216         | 66       |
| MAZDA | 1976-77 Mizer 1272cc (1.3L)                                              | Tail Pipe                                           | 16224     | 224         | 66       |

# Rubber Insulator Application Information Cont.

| Make       | Application Information                                                | Location                               | ni Number | Item Number | See Page |
|------------|------------------------------------------------------------------------|----------------------------------------|-----------|-------------|----------|
| MAZDA      | 1989-91 MPV 3.0L                                                       | Converter; Muffler; Tail Pipe-Front    | 16216     | 216         | 66       |
| MAZDA      | 1992-93 MX3 1.6L, 1.8L                                                 | Converter; Muffler; Connector Pipe     | 16223     | 223         | 66       |
| MAZDA      | 1991-93 Navajo 244 (4.0L)                                              | Tail Pipe; Connector Pipe; Muffler     | 16247     | 16247       | 66       |
| MAZDA      | 1991-93 Navajo 244 (4.0L)                                              | Muffler                                | 16707     | 707         | 66       |
| MAZDA      | 1986-91 RX7 1.3L Rotary                                                | Converter                              | 16273     | 16273       | 66       |
| MITSUBISHI | 1985-93 Diamante 1.5L, 1.6L, 1.8L, 2.0L, 3.0L                          | Muffler-Rear; Exhaust Pipe             | 16218     | 218         | 66       |
| MITSUBISHI | 1985-93 Eclipse 1.5L, 1.6L, 1.8L, 2.0L, 3.0L                           | Muffler-Rear; Exhaust Pipe             | 16218     | 218         | 66       |
| MITSUBISHI | 1985-93 Galant 1.5L, 1.6L, 1.8L, 2.0L, 3.0L                            | Muffler-Rear; Exhaust Pipe             | 16218     | 218         | 66       |
| MITSUBISHI | 1985-93 Mirage 1.5L, 1.6L, 1.8L, 2.0L, 3.0L                            | Muffler-Rear; Exhaust Pipe             | 16218     | 218         | 66       |
| MITSUBISHI | 1985-93 Precis 1.5L, 1.6L, 1.8L, 2.0L, 3.0L                            | Muffler-Rear; Exhaust Pipe             | 16218     | 218         | 66       |
| NISSAN     | 1970-74 1200 1171cc (1.2L)                                             | Muffler-Tail Pipe                      | 16228     | 228         | 66       |
| NISSAN     | 1979-88 210 1237cc (1.2L), 1397cc (1.4L), 1488cc (1.5L), 1952cc (2.0L) | Muffler-Tail Pipe                      | 16228     | 228         | 66       |
| NISSAN     | 1989-92 240SX 2.4L, 280ZX, 300ZX                                       | Muffler-Rear                           | 16218     | 218         | 66       |
| NISSAN     | 1990-93 300ZX 3.0L                                                     | Tail Pipe; Muffler                     | 16233     | 233         | 67       |
| NISSAN     | 1984-89 300ZX 2960cc (3.0L)                                            | Muffler; Connector Pipe                | 16217     | 217         | 66       |
| NISSAN     | 1978-81 510 1952cc (2.0L)                                              | Muffler-Tail Pipe                      | 16228     | 228         | 66       |
| NISSAN     | 1974-77 710 1952cc (2.0L)                                              | Muffler-Tail Pipe                      | 16228     | 228         | 66       |
| NISSAN     | 1984-88 810 3.0L                                                       | Tail Pipe; Muffler                     | 16233     | 233         | 67       |
| NISSAN     | 1993 Altima 2.4L                                                       | Muffler-Rear                           | 16218     | 218         | 66       |
| NISSAN     | 1990 Axxess 2.4L                                                       | Tail Pipe; Muffler                     | 16233     | 233         | 67       |
| NISSAN     | 1987-93 Maxima 3.0L (VG30E)                                            | Muffler-Rear                           | 16218     | 218         | 66       |
| NISSAN     | 1989-92 Maxima 3.0L                                                    | Exhaust Pipe                           | 16232     | 232         | 67       |
| NISSAN     | 1984-88 Maxima 3.0L                                                    | Tail Pipe; Muffler                     | 16233     | 233         | 67       |
| NISSAN     | 1985-86 Maxima 2960cc (3.0L)                                           | Muffler; Connector Pipe                | 16217     | 217         | 66       |
| NISSAN     | 1981-84 Maxima 2.2L (Diesel), 2393cc (2.4L)                            | Muffler-Tail Pipe                      | 16228     | 228         | 66       |
| NISSAN     | 1991-93 NX 1.6L, 2.0L                                                  | Muffler-Rear                           | 16218     | 218         | 66       |
| NISSAN     | 1987-90 Pulsar 1.6L, 1.8L                                              | Muffler-Rear                           | 16218     | 218         | 66       |
| NISSAN     | 1983-86 Pulsar 1.6L                                                    | Muffler                                | 16827     | 827         | 67       |
| NISSAN     | 1983-83 Pulsar 1595cc (1.6L)                                           | Muffler; Connector Pipe                | 16217     | 217         | 66       |
| NISSAN     | 1993 Quest 3.0L                                                        | Muffler; Tail Pipe                     | 16218     | 218         | 66       |
| NISSAN     | 1987-93 Sentra 1.6L, 2.0L                                              | Muffler-Rear                           | 16218     | 218         | 66       |
| NISSAN     | 1983-86 Sentra 1.7L (Diesel)                                           | Tail Pipe; Muffler                     | 16233     | 233         | 67       |
| NISSAN     | 1982-86 Sentra 1.5L, 1.6L                                              | Muffler                                | 16827     | 827         | 67       |
| NISSAN     | 1982-86 Sentra 1488cc (1.5L), 1595cc (1.6L)                            | Muffler; Connector Pipe                | 16217     | 217         | 66       |
| NISSAN     | 1990-92 Stanza 2.4L                                                    | Exhaust Pipe                           | 16232     | 232         | 67       |
| NISSAN     | 1982-93 Stanza 2.0L (CA20E), 2.4L (KA24E)                              | Muffler-Rear                           | 16218     | 218         | 66       |
| NISSAN     | 1985-89 Stanza 2WD 1952cc (2.0L)                                       | Muffler; Connector Pipe                | 16217     | 217         | 66       |
| NISSAN     | 1982-89 Stanza 2.0L                                                    | Tail Pipe; Muffler                     | 16233     | 233         | 67       |
| NISSAN     | 1987-89 Van 2.4L                                                       | Muffler; Tail Pipe                     | 16218     | 218         | 66       |
| NISSAN     | 1987-89 Van 2.4L                                                       | Tail Pipe; Muffler                     | 16233     | 233         | 67       |
| OLDSMOBILE | 1985-93 98 Regency 181, 231, 260D                                      | Tail Pipe; Exhaust Pipe-2ND Pipe       | 16806     | 806         | 65       |
| OLDSMOBILE | 1985-92 98 Regency 181, 231, 260D                                      | Exhaust Pipe-2ND Pipe;<br>Muffler-Rear | 16228     | 228         | 63       |
| OLDSMOBILE | 1985-91 Calais 138, 140, 151, 181, 200, 204                            | Exhaust Pipe - 2ND Pipe                | 16846     | 846         | 64       |
| OLDSMOBILE | 1982-85 Ciera 151, 181 (Exc. Station Wagon )                           | Muffler Rear                           | 16802     | 802         | 64       |
| OLDSMOBILE | 1984-93 Ciera Station Wagon 151, 173, 181, 204, 260D                   | Tail Pipe; Exhaust Pipe-2ND Pipe       | 16806     | 806         | 64       |
| OLDSMOBILE | 1988-93 Cutlass 138, 173, 189                                          | Exhaust Pipe-2ND Pipe;<br>Muffler-Rear | 16228     | 228         | 63       |
| OLDSMOBILE | 1988-91 Cutlass 2.3L, 2.8L, 3.1L                                       | Exhaust Pipe; Muffler-Rear             | 16271     | 16271       | 63       |
| OLDSMOBILE | 1985-93 Delta 88 181, 231, 260D                                        | Tail Pipe; Exhaust Pipe-2ND Pipe       | 16806     | 806         | 64       |
| OLDSMOBILE | 1985-92 Delta 88, 181, 231, 260D                                       | Exhaust Pipe-2ND Pipe;<br>Muffler-Rear | 16228     | 228         | 63       |
| OLDSMOBILE | 1985-93 Delta 88 Royale 181, 231, 260D                                 | Tail Pipe; Exhaust Pipe-2ND Pipe       | 16806     | 806         | 64       |
| OLDSMOBILE | 1983-88 Firenza 121, 173                                               | Exhaust Pipe - 2ND Pipe                | 16846     | 846         | 64       |
| OLDSMOBILE | 1983-84 Firenza 112                                                    | Exhaust Pipe - 2ND Pipe                | 16846     | 846         | 64       |

# Rubber Insulator Application Information Cont.

| Make       | Application Information                                                                         | Location                                                    | ni Number | Item Number | See Page |
|------------|-------------------------------------------------------------------------------------------------|-------------------------------------------------------------|-----------|-------------|----------|
| OLDSMOBILE | 1980-84 Omega 151, 173                                                                          | Muffler Rear                                                | 16802     | 802         | 64       |
| OLDSMOBILE | 1975-80 Starfire 140, 151, 231A, 231C;                                                          | Tail Pipe                                                   | 16605     | 605         | 63       |
| OLDSMOBILE | 1985-93 Toronado 181, 231, 260D                                                                 | Tail Pipe; Exhaust Pipe-2ND Pipe                            | 16806     | 806         | 64       |
| OLDSMOBILE | 1991-92 Toronado 3.8L (Exc. Trofeo)                                                             | 2ND Pipe                                                    | 16826     | 826         | 64       |
| OLDSMOBILE | 1986-92 Toronado 231                                                                            | Exhaust Pipe-2ND Pipe;<br>Muffler-Rear                      | 16228     | 228         | 63       |
| OPEL       | 1968-78 1900, Ascona, GT, Manta, Rallye,<br>1196cc (1.2L), 1897cc (1.9L)                        | Muffler                                                     | 16222     | 222         | 67       |
| OPEL       | 1965-78 Kadett 1078cc (1.1L)                                                                    | Muffler                                                     | 16222     | 222         | 67       |
| OPEL       | 1976-78 Opel Isuzu 1.8L                                                                         | Tail Pipe                                                   | 16204     | 204         | 63       |
| PLYMOUTH   | 1984-93 Caravelle, 135 (2.2L), 153 (2.5L),156 (2.6L)<br>181 (3.0L), 201 (3.3L) 230 (3.8L)       | Muffler Rear                                                | 16611     | 611         | 62       |
| PLYMOUTH   | 1986-89 Caravelle 5.2L                                                                          | Tail Pipe                                                   | 16604     | 604         | 61       |
| PLYMOUTH   | 1981-84 Caravelle 1.5 (2.2L), 156 (2.6L)                                                        | Muffler-Rear; Tail Pipe                                     | 16602     | 602         | 61       |
| PLYMOUTH   | 1981-89 Gran Fury 225, 318                                                                      | Tail Pipe - Front                                           | 16605     | 605         | 62       |
| PLYMOUTH   | 1977-82 Gran Fury 225, 318, 360                                                                 | Tail Pipe                                                   | 16604     | 604         | 61       |
| PLYMOUTH   | 1986-89 Gran Fury 5.2L                                                                          | Tail Pipe                                                   | 16604     | 604         | 61       |
| PLYMOUTH   | 1978-90 Horizon (1.6L), 105 (1.7L), 135 (2.2L)                                                  | Muffler-Rear; Tail Pipe                                     | 16602     | 602         | 61       |
| PLYMOUTH   | 1978-90 Horizon 98 (1.6L), 105 (1.7L), 135 (2.2L),<br>Reliant 135 (2.2L), 153 (2.5L),156 (2.6L) | Middle Pipe                                                 | 16600     | 600         | 61       |
| PLYMOUTH   | 1984-93 181 (3.0L), 201 (3.3L) 230 (3.8L)                                                       | Muffler Rear                                                | 16611     | 611         | 62       |
| PLYMOUTH   | 1981-84 Reliant 1.5 (2.2L), 156 (2.6L)                                                          | Muffler-Rear; Tail Pipe                                     | 16602     | 602         | 61       |
| PLYMOUTH   | 1984-93 Sundance 135 (2.2L), 153 (2.5L),156 (2.6L)<br>181 (3.0L), 201 (3.3L) 230 (3.8L)         | Muffler Rear                                                | 16611     | 611         | 62       |
| PLYMOUTH   | 1982-93 Sundance 135 (2.2L), 153 (2.5L), 181 (3.0L),                                            | Middle Pipe                                                 | 16600     | 600         | 61       |
| PLYMOUTH   | 1978-90 TC3 97 (1.6L), 105 (1.7L), 135 (2.2L)                                                   | Muffler-Rear; Tail Pipe                                     | 16602     | 602         | 61       |
| PLYMOUTH   | 1978-90 TC3 98 (1.6L), 105 (1.7L), 135 (2.2L),                                                  | Middle Pipe                                                 | 16600     | 600         | 61       |
| PLYMOUTH   | 1977-83 Volare 225, 318                                                                         | Tail Pipe - Front                                           | 16605     | 605         | 62       |
| PLYMOUTH   | 1990-92 Arrow 2.4L, 3.0L                                                                        | Muffler                                                     | 16218     | 218         | 62       |
| PONTIAC    | 1982-85 6000 151, 173, 260D (Exc. Station Wagon )                                               | Muffler Rear                                                | 16802     | 802         | 64       |
| PONTIAC    | 1984-91 6000 Station Wagon 151, 173, 189, 260D                                                  | TailPipe-Single Outlet;<br>Exhaust Pipe-2ND Pipe;           | 16806     | 806         | 64       |
| PONTIAC    | 1988-93 Bonneville 231                                                                          | TailPipe-Single Outlet;<br>Exhaust Pipe-2ND Pipe; Tail Pipe | 16806     | 806         | 64       |
| PONTIAC    | 1987-92 Bonneville 231                                                                          | Muffler-Rear; 2ND Pipe                                      | 16228     | 228         | 63       |
| PONTIAC    | 1990-92 Firebird 3.1L                                                                           | 2ND Pipe                                                    | 16826     | 826         | 64       |
| PONTIAC    | 1985-89 Firebird 2.8L                                                                           | 2ND Pipe                                                    | 16826     | 826         | 64       |
| PONTIAC    | 1975-81 Firebird 231A, 231C, 265, 301, 305, 350, 400,<br>403, 455                               | Tail Pipe                                                   | 16605     | 605         | 63       |
| PONTIAC    | 1985-91 Grand AM 121, 138, 140, 151, 181                                                        | Exhaust Pipe - 2ND Pipe                                     | 16846     | 846         | 64       |
| PONTIAC    | 1988-93 Grand Prix 173, 189                                                                     | Muffler-Rear; 2ND Pipe                                      | 16228     | 228         | 63       |
| PONTIAC    | 1988-91 Grand Prix 2.3L, 2.8L, 3.1L                                                             | Exhaust Pipe; Muffler-Rear                                  | 16271     | 16271       | 63       |
| PONTIAC    | 1980-84 Phoenix 151, 173                                                                        | Muffler Rear                                                | 16802     | 802         | 64       |
| PONTIAC    | 1975-79 Phoenix 151, 231A, 231, C250, 260, 301, 305,<br>350L, 350R                              | Tail Pipe                                                   | 16605     | 605         | 63       |
| PONTIAC    | 1987-91 Sunbird 121                                                                             | Exhaust Pipe - 2ND Pipe                                     | 16846     | 846         | 64       |
| PONTIAC    | 1983-85 Sunbird 112                                                                             | Exhaust Pipe - 2ND Pipe                                     | 16846     | 846         | 64       |
| PONTIAC    | 1976-80 Sunbird 151, 231A, 231C<br>(Exc. Station Wagon )                                        | Tail Pipe                                                   | 16605     | 605         | 63       |
| PONTIAC    | 1981-87 T1000 98 (1.6L)                                                                         | Tail Pipe                                                   | 16815     | 815         | 64       |
| PONTIAC    | 1981-87 T1000 98 (1.6L)                                                                         | Muffler-Rear; 2ND Pipe                                      | 16228     | 228         | 63       |
| RENAULT    | 1982-85 Fuego 1647cc (1.6L), 2165cc (2.2L)                                                      | Muffler                                                     | 16228     | 228         | 66       |

# Rubber Insulator Application Information Cont.

| Make       | Application Information                                             | Location                    | ni Number | Item Number | See Page |
|------------|---------------------------------------------------------------------|-----------------------------|-----------|-------------|----------|
| RENAULT    | 1973-74 R12 1.6L                                                    | Muffler                     | 16228     | 228         | 66       |
| RENAULT    | 1972-76 R15 1.6L                                                    | Muffler                     | 16228     | 228         | 66       |
| RENAULT    | 1972-78 R17 1.6L                                                    | Muffler                     | 16228     | 228         | 66       |
| RENAULT    | 1980-86 R18i 1647cc (1.6L), 2165cc (2.2L)                           | Muffler                     | 16228     | 228         | 66       |
| SAAB       | 1983-93 900 Series 1985cc (2.0L), 2119cc (2.1L)                     | Tail Pipe                   | 16259     | 16259       | 67       |
| SAAB       | 1971-74 99 Series 1709cc (1.7L), 1854cc (1.85L), 1985cc (2.0L)      | Front Muffler               | 16228     | 228         | 66       |
| STERLING   | 1987-89 825 Series                                                  | Converter                   | 16273     | 16273       | 67       |
| SUZUKI     | 1986-93 Samauri 1324cc (1.3L), 1590cc (1.6L)                        | Muffler; Tail Pipe          | 16828     | 828         | 67       |
| SUZUKI     | 1989-93 Sidekick 1324cc (1.3L), 1590cc (1.6L)                       | Muffler; Tail Pipe          | 16828     | 828         | 67       |
| TOYOTA     | 1986-93 4 Runner 22R, RE, REC, RTEC, 2TZFE (2.4L), 3VZ, VZFE (3.0L) | Connector Pipe; Muffler     | 16828     | 828         | 68       |
| TOYOTA     | 1984-93 4 Runner 2.4L, 3.0L                                         | Tail Pipe                   | 16234     | 234         | 67       |
| TOYOTA     | 1988-91 4 Runner 3.0L                                               | Muffler - Rear              | 16248     | 16248       | 67       |
| TOYOTA     | 1985-91 4 Runner 2.4L                                               | Muffler - Rear              | 16248     | 16248       | 67       |
| TOYOTA     | 1983-93 Camry 1CLC, CTLC, SEL, 3SFE, 5SFE, 2VZFE, 3VZ, VZFE         | Connector Pipe; Muffler     | 16828     | 828         | 68       |
| TOYOTA     | 1971-73 Carina 2TC                                                  | Connector Pipe; Muffler     | 16228     | 228         | 67       |
| TOYOTA     | 1983-93 Celica 4AC, AFE, ALC, CEC, GECL, 22R, REC                   | Connector Pipe; Muffler     | 16828     | 828         | 68       |
| TOYOTA     | 1972-85 Celica 18R, RC, 20R, 22R, REC                               | Connector Pipe; Muffler     | 16228     | 228         | 67       |
| TOYOTA     | 1998-02 Corolla 1.8L                                                | Muffler                     | 16246     | 16246       | 67       |
| TOYOTA     | 1988-93 Corolla 4AF AFE, AGE, LC                                    | Connector Pipe; Muffler     | 16828     | 828         | 68       |
| TOYOTA     | 1972-87 Corolla 3KC, 2TC, 4AC, ALC, GEC, 3TC (1.8L)                 | Connector Pipe; Muffler     | 16228     | 228         | 67       |
| TOYOTA     | 1973-82 Corona 18RC (2.0L), 20R, 22R, REC                           | Connector Pipe; Muffler     | 16228     | 228         | 67       |
| TOYOTA     | 1985-91 Cressida 5MGE, 3VZE                                         | Connector Pipe; Muffler     | 16828     | 828         | 68       |
| TOYOTA     | 1978-91 Cressida 4M, ME, 5ME, MGE, 3VZE                             | Connector Pipe; Muffler     | 16228     | 228         | 67       |
| TOYOTA     | 1976-79 Landcruiser 2F (4.2L)                                       | Connector Pipe              | 16228     | 228         | 67       |
| TOYOTA     | 1972-74 Mark II 2M, 4M                                              | Connector Pipe; Muffler     | 16228     | 228         | 67       |
| TOYOTA     | 1984-93 Pickup 2.4L, 3.0L                                           | Tail Pipe                   | 16234     | 234         | 67       |
| TOYOTA     | 1984-93 Pickup 22R, RE, REC, RTEC, 2TZFE (2.4L), 3VZ, VZFE (3.0L)   | Connector Pipe; Muffler     | 16828     | 828         | 68       |
| TOYOTA     | 1984-92 Pickup 2.4L Gas & Diesel 2WD & 4WD 2.4L, 3.0L;              | Muffler - Rear              | 16248     | 16248       | 67       |
| TOYOTA     | 1984-85 Pickup 2.0L Diesel                                          | Muffler - Rear              | 16248     | 16248       | 67       |
| TOYOTA     | 1981-83 Pickup 2.2L (Diesel)                                        | Connector Pipe              | 16222     | 222         | 67       |
| TOYOTA     | 1976-83 Pickup 2.2L (GAS), 2.4L                                     | Connector Pipe              | 16222     | 222         | 67       |
| TOYOTA     | 1981-84 Starlet 1.3L                                                | Connector Pipe; Tail Pipe   | 16222     | 222         | 67       |
| TOYOTA     | 1986-93 Supra 7MGE, MGTE, 3VZE, VZFE                                | Connector Pipe; Muffler     | 16828     | 828         | 68       |
| TOYOTA     | 1979-92 Supra 4ME, 5MGE, 3VZ, VZFE                                  | Connector Pipe; Muffler     | 16228     | 228         | 67       |
| TOYOTA     | 1983-93 Tercel 3AC, E, EE                                           | Connector Pipe; Muffler     | 16828     | 828         | 68       |
| TOYOTA     | 1983-87 Tercel 1.5L                                                 | Connector Pipe; Tail Pipe   | 16222     | 222         | 67       |
| TOYOTA     | 1980-88 Tercel 3AC                                                  | Connector Pipe; Muffler     | 16228     | 228         | 67       |
| TOYOTA     | 1986-90 Van 2.2L                                                    | Exhaust Pipe                | 16234     | 234         | 67       |
| TOYOTA     | 1986-90 Van 2SELC, 3YEC (2.0L), 2L, 4YEC, 5SFE, (2.2L)              | Connector Pipe; Muffler     | 16828     | 828         | 68       |
| TOYOTA     | 1986-90 Van 4YEC, 5SFE (2.2L)                                       | Connector Pipe              | 16228     | 228         | 67       |
| TOYOTA     | 1984-90 Van 2.2L                                                    | Connector Pipe              | 16222     | 222         | 67       |
| TRIUMPH    | 1975-81 TR7 1998 cc (2.0L)                                          | Muffler                     | 16224     | 224         | 67       |
| VOLKSWAGON | 1984-93 Cabriolet 1.8L                                              | Muffler-Front; Muffler-Rear | 16713     | 16713       | 68       |
| VOLKSWAGON | 1973-82 Dasher                                                      | Muffler; Tail Pipe          | 16207     | 207         | 68       |
| VOLKSWAGON | 1974-88 Jetta                                                       | Muffler; Tail Pipe          | 16206     | 206         | 68       |
| VOLKSWAGON | 1979-88 Jetta (Diesel)                                              | Muffler; Tail Pipe          | 16207     | 207         | 68       |
| VOLKSWAGON | 1983-88 Quantum                                                     | Muffler; Tail Pipe          | 16207     | 207         | 68       |

# Rubber Insulator Application Information Cont.

| Make       | Application Information                         | Location                                | ni Number | Item Number | See Page |
|------------|-------------------------------------------------|-----------------------------------------|-----------|-------------|----------|
| VOLKSWAGON | 1979-88 Rabbit                                  | Muffler; Tail Pipe                      | 16207     | 207         | 68       |
| VOLKSWAGON | 1974-88 Rabbit                                  | Muffler; Tail Pipe                      | 16206     | 206         | 68       |
| VOLKSWAGON | 1979-88 Scirocco                                | Muffler; Tail Pipe                      | 16207     | 207         | 68       |
| VOLKSWAGON | 1974-88 Scirocco                                | Muffler; Tail Pipe                      | 16206     | 206         | 68       |
| VOLKSWAGON | 1984-93 Scirocco 1.8L                           | Muffler-Front; Muffler-Rear             | 16713     | 16713       | 68       |
| VOLVO      | 1967-74 140 Series 1780cc (B18A ,B, D 1.8L)     | Front Muffler;<br>Exhaust Pipe-2ND Pipe | 16210     | 210         | 68       |
| VOLVO      | 1967-74 140 Series 1990cc (B20A, B, E, F (2.0L) | Front Muffler;<br>Exhaust Pipe-2ND Pipe | 16210     | 210         | 68       |
| VOLVO      | 1974-74 140 Series 1990cc (B20F 2.0L)           | Rear - Muffler                          | 16220     | 220         | 68       |
| VOLVO      | 1974-75 164 Series (B30F 2980cc 3.0L)           | Rear - Muffler                          | 16220     | 220         | 68       |
| VOLVO      | 1969-75 164 Series B30A, E, F 2980cc (3.0L)     | Front Muffler;<br>Exhaust Pipe-2ND Pipe | 16210     | 210         | 68       |
| VOLVO      | 1975-93 240 2127cc (B21F, FT 2.4L Diesel)       | Rear - Muffler                          | 16220     | 220         | 68       |
| VOLVO      | 1975-93 240 2316cc (B23F, FT, B230F, FT 2.3L)   | Front Muffler;<br>Exhaust Pipe-2ND Pipe | 16210     | 210         | 68       |
| VOLVO      | 1975-93 240DL 2127cc (B21F, FT 2.4L Diesel)     | Front Muffler;<br>Exhaust Pipe-2ND Pipe | 16210     | 210         | 68       |
| VOLVO      | 1975-93 240DL 2316cc (B23F, FT,B230F, FT 2.3L)  | Rear - Muffler                          | 16220     | 220         | 68       |
| VOLVO      | 1975-85 260 Series 2383cc (D24T 2.4L Diesel)    | Front Muffler;<br>Exhaust Pipe-2ND Pipe | 16210     | 210         | 68       |
| VOLVO      | 1975-85 260 Series 2383cc (D24T 2.4L Diesel)    | Rear - Muffler                          | 16220     | 220         | 68       |
| VOLVO      | 1975-85 260 Series 2673cc (B27F 2.7L)           | Front Muffler;<br>Exhaust Pipe-2ND Pipe | 16210     | 210         | 68       |
| VOLVO      | 1975-85 260 Series 2673cc (B27F 2.7L)           | Rear - Muffler                          | 16220     | 220         | 68       |
| VOLVO      | 1986-92 740 Series 2.3L, 2.4L                   | Exhaust Pipe; Muffler                   | 16244     | 244         | 68       |
| VOLVO      | 1985-88 740 Series 2316cc (2.3L)                | Muffler                                 | 16243     | 243         | 68       |
| VOLVO      | 1986-90 760 Series 2.3L, 2.4L, 2.8L             | Exhaust Pipe; Muffler                   | 16244     | 244         | 68       |
| VOLVO      | 1983-88 760 Series 2316cc (2.3L)                | Muffler                                 | 16243     | 243         | 68       |
| VOLVO      | 1986-87 780 Series 2.8L                         | Exhaust Pipe; Muffler                   | 16244     | 244         | 68       |
| VOLVO      | 1991-94 940 Series 2.3L                         | Exhaust Pipe; Muffler                   | 16244     | 244         | 68       |
| VOLVO      | 1992-96 960 Series 3.0L                         | Exhaust Pipe; Muffler                   | 16244     | 244         | 68       |

# Rubber Insulators

**16219** **219**

A. 8531 M. FEH560  
R. BR560 W. 35038

**16207** **207**

A. 8515 M. FEH568  
R. BR568 W. N/A

**16209** **209**

A. 8518 M. FEH337  
R. BR659 W. 35123

**16231** **231**

A. 8317 M. FEH336  
R. BR643 W. 35711

**16602** **602**

A. 8588 M. FEH353  
R. BR353 W. 35096

**16206** **206**

A. 8516 M. FEH556  
R. BR556 W. 35042

**16713** **16713**

A. 8262 M. TPH838B  
R. BR838 W. 35466

**16229** **16229**

A. N/A M. FEH546  
R. BR546 W. 35120

**16600** **600**

A. 8581 M. FEH354  
R. BR354 W. 35037

**16604** **604**

A. 8209 M. TPH1284B  
R. BR92025 W. 35461

ACURA

AUDI

BMW

BMW

CHRYSLER

AUDI

AUDI

BMW

CHRYSLER

CHRYSLER

A. AP/GOERLICH'S; M. MARWIL; R. ROL; W. WALKER

**DESIGN MAKES THE DIFFERENCE**



# Rubber Insulators

**16605** **605**

5/8"  
4-1/16"

A. 8241 M. TPH191LB  
R. BR359 W. 35183

**CHRYSLER**

**16611** **611**

3-1/16"

A. 8195 M. FEH403  
R. BR840 W. 35706

**CHRYSLER**

**16218** **218**

3-1/8"  
1/2" Holes  
1"

A. 8137 M. FEH908  
R. BR400 W. 35460

**CHRYSLER/DODGE**

**16204** **204**

1-3/4"  
1-3/8"

A. 8511 M. FEH552  
R. BR552 W. 35353

**FORD**

**16213** **213**

2-3/4"  
1-1/2"

A. N/A M. FEH376  
R. BR555 W. 35091

**FORD**

**16216** **216**

2-1/2"  
3/8" Hole  
1-5/16"

A. 8233 M. TH1018B  
R. BR91989 W. N/A

**FORD**

**16247** **16247**

3/8" Holes  
2-13/16"

A. 8196 M. TPH362B  
R. BR845 W. N/A

**FORD**

**16273** **16273**

2-11/32"  
1/2" Hole  
3/4"

A. 8092 M. FEH1187  
R. BR91978 W. 35286

**FORD**

**16704** **704**

2-13/16"  
1-1/16" Hole  
3/8" Hole  
1-1/2"

A. 8197 M. TPH363B  
R. BR836 W. 35707

**FORD**

**16707** **707**

1-1/2"  
3/8" Holes  
2-13/16"

A. N/A M. MR766  
R. BR766 W. N/A

**FORD**

A. AP/GOERLICH'S; M. MARWIL; R. ROL; W. WALKER

**DESIGN MAKES THE DIFFERENCE**

# Rubber Insulators

**16712** **712**

A. 8198 M. TPH360B  
R. BR837 W.

FORD

**16713** **16713**

A. 8262 M. TPH838B  
R. BR838 W. 35486

FORD

**16720** **16720**

A. N/A M. TPH425B  
R. BR425 W. 35212

FORD

**16204** **204**

A. 8511 M. FEH552  
R. BR552 W. 35353

GM

**16216** **216**

A. 8233 M. TH1018B  
R. BR91989 W. N/A

GM

**16228** **228**

A. 8166 M. FEH554  
R. BR554 W. 35352

GM

**16270** **16270**

A. N/A M. TH1066B  
R. BR92062 W. 36221

GM

**16271** **16271**

A. 8106 M. FEH1192  
R. BR91936 W. 35229

GM

**16272** **16272**

A. 8066 M. TH1068B  
R. BR91988 W. N/A

GM

**16605** **605**

A. 8241 M. TPH191LB  
R. BR359 W. 35183

GM

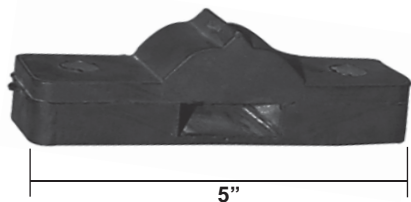
A. AP/GOERLICH'S; M. MARWIL; R. ROL; W. WALKER

**DESIGN MAKES THE DIFFERENCE**

# Rubber Insulators

16802

802



A. 8223 M. TPH220B  
R. BR674 W. 35462

GM

16806

806

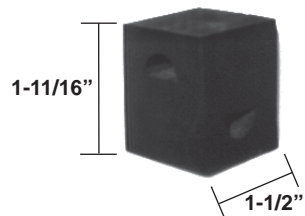


A. 8161 M. TPH863B  
R. BR863 W. 35259

GM

16815

815



A. N/A M. TPH226B  
R. BR712 W. 35545

GM

16825

825



A. N/A M. FEH413  
R. BR406 W. N/A

GM

16826

826



A. 8208 M. TPH461B  
R. BR407 W. 35750

GM

16827

827

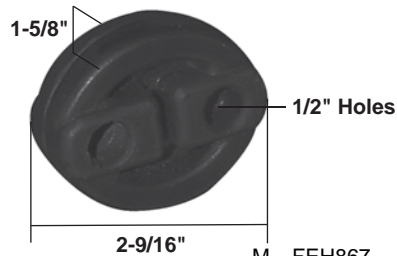


A. 8075 M. FEH941  
R. BR427 W. 35029

GM

16828

828



A. 8180 M. FEH867  
R. BR867 W. 35725

GM

16846

846



A. 8202 M. TPH874B  
R. BR874 W. N/A

GM

16214

214



A. N/A M. FEH559  
R. BR559 W. 35093

HONDA

16215

215



A. N/A M. N/A  
R. BR658 W. 35116

HONDA

A. AP/GOERLICH'S; M. MARWIL; R. ROL; W. WALKER

DESIGN MAKES  
THE DIFFERENCE

# Rubber Insulators

**16219** **219**

A. 8531 M. FEH560  
R. BR560 W. 35038

HONDA

**16221** **221**

A. N/A M. FEH557  
R. BR557 W. 35041

HONDA

**16273** **273**

A. 8092 M. FEH1187  
R. BR91978 W. 35286

HONDA

**16827** **827**

A. 8075 M. FEH941  
R. BR427 W. 35029

HONDA

**16828** **828**

A. 8180 M. FEH867  
R. BR867 W. 35725

HONDA

**16204** **204**

A. 8511 M. FEH552  
R. BR552 W. 35353

ISUZU

**16223** **223**

A. 8547 M. FEH400  
R. BR817 W. 35473

ISUZU

**16825** **825**

A. N/A M. FEH413  
R. BR406 W. N/A

ISUZU

**16211** **16211**

A. 8098 M. MR2093  
R. BR92093 W. N/A

JEEP

**16606** **606**

A. N/A M. TPH454B  
R. BR454 W. 35288

JEEP

A. AP/GOERLICH'S; M. MARWIL; R. ROL; W. WALKER

**DESIGN MAKES THE DIFFERENCE**

# Rubber Insulators

**16216** **216**

3/8" Hole

2-1/2"

1-5/16"

**MAZDA**

A. 8233 M. TH1018B  
 R. BR91989 W. N/A

**16224** **224**

2-1/8"

**MAZDA**

A. N/A M. FEH346  
 R. BR570 W. 35386

**16273** **16273**

2-11/32"

3/4"

**MAZDA**

A. 8092 M. FEH1187  
 R. BR91978 W. 35286

**16218** **218**

3-1/8"

1/2" Holes

1"

**MITSUBISHI**

A. 8137 M. FEH908  
 R. BR400 W. 35460

**16218** **218**

3-1/8"

1/2" Holes

1"

**NISSAN**

A. 8137 M. FEH908  
 R. BR400 W. 35460

**16223** **223**

2-1/2"

1/2" Holes

13/16"

**MAZDA**

A. 8547 M. FEH400  
 R. BR817 W. 35473

**16247** **16247**

3/8" Holes

2-13/16"

**MAZDA**

A. 8196 M. TPH362B  
 R. BR845 W. N/A

**16707** **707**

1-1/2"

3/8" Holes

2-13/16"

**MAZDA**

A. N/A M. MR766  
 R. BR766 W. N/A

**16217** **217**

2-1/2"

13/16"

3/8" Holes With Metal Bushing

**NISSAN**

A. N/A M. FEH400A  
 R. BR817W W. N/A

**16228** **228**

1-7/16"

2-3/8"

**NISSAN**

A. 8166 M. FEH554  
 R. BR554 W. 35352

A. AP/GOERLICH'S; M. MARWIL; R. ROL; W. WALKER

**DESIGN MAKES THE DIFFERENCE**

# Rubber Insulators

**16232** **232**

7/16" Holes  
1"  
2-3/4"

A. N/A  
R. BR91995

M. FEH939  
W. N/A

NISSAN

**16233** **233**

2-3/4"  
1-11/32"

A. N/A  
R. BR405

M. FEH405  
W. N/A

NISSAN

**16827** **827**

2-11/16"  
3/8" Holes  
1"

A. 8075  
R. BR427

M. FEH941  
W. 35029

NISSAN

**16259** **16259**

2-1/4"  
1/2" Holes  
9/16"

A. 8151  
R. BR869

M. FEH869  
W. 35728

SAAB

**16273** **16273**

2-11/32"  
1/2" Hole  
3/4"

A. 8092  
R. BR91978

M. FEH1187  
W. 35286

STERLING

**16828** **828**

1-5/8"  
1/2" Holes  
2-9/16"

A. 8180  
R. BR867

M. FEH867  
W. 35725

SUZUKI

**16234** **234**

5-3/4"

A. N/A  
R. BR433

M. FEH391  
W. 35111

TOYOTA

**16222** **222**

1-1/4"  
2-3/8"

A. 8537  
R. BR549

M. FEH880  
W. 35385

TOYOTA

**16246** **16246**

3-5/8"  
1-3/8"  
4-7/8"  
2"

A. N/A  
R. N/A

M. N/A  
W. N/A

TOYOTA

**16248** **16248**

5-3/4"  
13/16"

A. N/A  
R. BR91972

M. FEH1178  
W. 35296

TOYOTA

A. AP/GOERLICH'S; M. MARWIL; R. ROL; W. WALKER

**DESIGN MAKES THE DIFFERENCE**

# Rubber Insulators

**16828** **828**

1-5/8" 1/2" Holes

2-9/16"

A. 8180 M. FEH867  
R. BR867 W. 35725

**TOYOTA**

**16206** **206**

2-3/8"

A. 8516 M. FEH556  
R. BR556 W. 35042

**VOLKSWAGON**

**16207** **207**

2-9/32"

A. 8515 M. FEH568  
R. BR568 W. N/A

**VOLKSWAGON**

**16713** **16713**

2-13/16" 5/8" Hole

1-1/16" Hole 1-1/2"

A. 8262 M. TPH838B  
R. BR838 W. 35466

**VOLKSWAGON**

**16210** **210**

2" 2-25/32"

A. 8553 M. FEH124  
R. BR538 W. 35088

**VOLVO**

**16220** **220**

2-3/8" 3/8" Holes

1-3/8"

A. 8554 M. FEH553  
R. BR553 W. 35044

**VOLVO**

**16243** **243**

2" 15/16"

A. 8149 M. FEH1014  
R. BR437 W. 35206

**VOLVO**

**16244** **244**

2-1/4" 7/8"

13/16"

A. N/A M. FEH1154  
R. BR92149 W. N/A

**VOLVO**

**16269** **16269**

2-1/4" 3"

A. N/A M. FEH125  
R. BR536 W. 35087

**VOLVO**

A. AP/GOERLICH'S; M. MARWIL; R. ROL; W. WALKER

**DESIGN MAKES THE DIFFERENCE**

# Muffler Strap Application Information

| Make      | Application Information                                  | Dimensions       | ni number | ni Item | See Page |
|-----------|----------------------------------------------------------|------------------|-----------|---------|----------|
| BMW       | 1984-93 Dual Hanger                                      | 11" x 5-3/4"     | 20242     | 242     | 71       |
| BMW       | 1984-89                                                  | 11" x 5-3/4"     | 20240     | 240     | 71       |
| BUICK     | 1994-96 Skylark, Somerset 2.3L, 2.4L, 3.1L               | 11-1/4" x 4-1/2" | 20843     | 843     | 71       |
| BUICK     | 1985-92 Skylark, Somerset 140, 151, 204                  | 9-3/4" x 4-1/2"  | 20824     | 824     | 71       |
| BUICK     | 1988-89 Skyhawk 121                                      | 9-3/4" x 4-1/2"  | 20824     | 824     | 71       |
| BUICK     | 1988 Skylark, Somerset 181                               | 9-3/4" x 4-1/2"  | 20824     | 824     | 71       |
| BUICK     | 1982-84 Skyhawk 112 (1.8L), 121 (2.0L)                   | 9-3/4" x 4-1/2"  | 20823     | 823     | 71       |
| CADILLAC  | 1988 Cimarron 173                                        | 9-3/4" x 4-1/2"  | 20824     | 824     | 72       |
| CADILLAC  | 1982-84 Cimarron 112 (1.8L), 121 (2.0L)                  | 9-3/4" x 4-1/2"  | 20823     | 823     | 72       |
| CHEVROLET | 1995-2001 Cavalier 2.2L, 2.3L, 2.4L                      | 9-7/8" x 4-3/8"  | 20845     | 845     | 73       |
| CHEVROLET | 1997-2000 Cavalier 2.2L                                  | 11-1/2" x 4-1/2" | 20847     | 847     | 73       |
| CHEVROLET | 1995-97 S10, Blazer 4.3L                                 | 11-1/4" x 5-1/4" | 20844     | 844     | 72       |
| CHEVROLET | 1995 S10, S15, Blazer 4.3L                               | 9-3/4" x 4-1/4"  | 20878     | 20878   | 73       |
| CHEVROLET | 1994-96 Beretta, Corsica 2.2L, 2.3L, 3.1L                | 11-1/4" x 4-1/2" | 20843     | 843     | 72       |
| CHEVROLET | 1992-94 Cavalier 134 C.I.D., (2.4L), 189 C.I.D. (3.1L)   | 10-1/2" x 4"     | 20870     | 20870   | 73       |
| CHEVROLET | 1982-84 Cavalier 112 (1.8L), 121 (2.0L),                 | 9-3/4" x 4-1/2"  | 20823     | 823     | 72       |
| CHRYSLER  | 2001-05 Town & Country 3.8L (Exc. Stow & Go)             | 9" x 7"          | 20860     | 20860   | 71       |
| CHRYSLER  | 1996-97 Town & Country 3.0L, 3.3L, 3.8L                  | 9-7/8" x 4-1/2"  | 20856     | 20856   | 71       |
| CHRYSLER  | 1996 Town & Country 2.4L, 3.0L, 3.3L, 3.8L               | 10-1/4" x 4"     | 20858     | 20858   | 71       |
| CHRYSLER  | 1991-95 Town & Country 2.5L, 3.0L, 3.3L, 3.8L            | 9-3/4" x 4-1/2"  | 20862     | 20862   | 71       |
| CHRYSLER  | 1991-92 Town & Country 2.5L, 3.0L, 3.3L                  | 10" x 4"         | 20608     | 608     | 71       |
| CHRYSLER  | 1987-90 Town & Country 2.5L, 3.0L, 3.3L                  | 9" x 4-3/8"      | 20610     | 610     | 71       |
| CHRYSLER  | 1987 Town & Country 2.6L                                 | 9" x 4-3/8"      | 20610     | 610     | 71       |
| DODGE     | 2001-07 Caravan 2.4L                                     | 9" x 7"          | 20860     | 20860   | 71       |
| DODGE     | 2001-05 Grand Caravan 3.8L (Exc. Stow & Go)              | 9 x 7"           | 20860     | 20860   | 71       |
| DODGE     | 1996-97 Caravan, Grand Caravan, Ram Van 3.0L, 3.3L, 3.8L | 9-7/8" x 4-1/2"  | 20856     | 20856   | 71       |
| DODGE     | 1996 Caravan, Grand Caravan 2.4L, 3.0L, 3.3L, 3.8L       | 10-1/4" x 4"     | 20858     | 20858   | 71       |
| DODGE     | 1991-95 Caravan 2.5L, 3.0L, 3.3L, 3.8L                   | 9-3/4" x 4-1/2"  | 20862     | 20862   | 71       |
| DODGE     | 1991-92 Caravan 2.5L, 3.0L, 3.3L                         | 10" x 4"         | 20608     | 608     | 71       |
| DODGE     | 1987-90 Caravan, Ram Van, 2.5L, 3.0L, 3.3L               | 9" x 4-3/8"      | 20610     | 610     | 71       |
| DODGE     | 1987 Caravan, Ram Van 2.6L                               | 9" x 4-3/8"      | 20610     | 610     | 71       |
| FORD      | 1998-00 Ranger 2.5L, 3.0L, 4.0L                          | 9-7/8" x 4-3/8"  | 20233     | 20233   | 71       |
| FORD      | 1995-97 Trucks                                           | 10-5/8" x 4-1/4" | 20876     | 20876   | 72       |
| FORD      | 1988-95 Taurus 3.0L, 3.8L                                | 10-1/8" x 4-5/8" | 20877     | 20877   | 72       |
| FORD      | 1987-95 Truck F250, F350                                 | Fits 6" Round    | 20715     | 715     | 72       |
| FORD      | 1987-94 Truck                                            | Fits 6" Round    | 20713     | 713     | 72       |
| FORD      | 1987-94 Truck                                            | 10" x 4"         | 20714     | 714     | 72       |
| FORD      | 1986-91 Sable, Taurus, 2.5L, 3.0L, 3.8L                  | 9-3/4" x 4-1/2"  | 20708     | 708     | 71       |
| GEO       | 1997-02 Prizm 1.8L                                       | 11-1/8" x 5-5/8" | 20273     | 273     | 72       |
| GMC       | 1995 Jimmy 4.3L                                          | 9-3/4" x 4-1/4"  | 20878     | 20878   | 73       |
| MAZDA     | 1986-93 B2200 Pickup 2.0L, 2.2L                          | Fits 6" Round    | 20238     | 238     | 73       |
| MAZDA     | 1987-88 B2600 Pickup 2.6L                                | Fits 6" Round    | 20238     | 238     | 73       |
| MERCURY   | 1988-95 Sable Sedan 3.0L, 3.8L                           | 10-1/8" x 4-5/8" | 20877     | 20877   | 72       |



# Muffler Straps Application Information Cont.

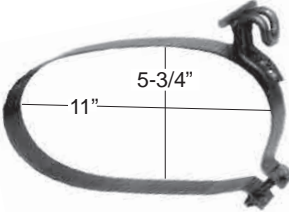
| Make       | Application Information                             | Dimensions       | ni number | ni Item | See Page |
|------------|-----------------------------------------------------|------------------|-----------|---------|----------|
| OLDSMOBILE | 1994-98 2.3L, 2.4L, 3.1L                            | 11-1/4" x 4-1/2" | 20843     | 843     | 72       |
| OLDSMOBILE | 1988 Calais 121                                     | 9-3/4" x 4-1/2"  | 20824     | 824     | 72       |
| OLDSMOBILE | 1985-91 Calais 138, 140, 151, 200, 204              | 9-3/4" x 4-1/2"  | 20824     | 824     | 72       |
| OLDSMOBILE | 1982-84 Firenza 112 (1.8L), 121 (2.0L)              | 9-3/4" x 4-1/2"  | 20823     | 823     | 72       |
| PLYMOUTH   | 2001-07 Voyager 2.4L                                | 9" x 7"          | 20860     | 20860   | 71       |
| PLYMOUTH   | 1996-97 Voyager, Grand Voyager 3.0L, 3.3L, 3.8L     | 9-7/8" x 4-1/2"  | 20856     | 20856   | 71       |
| PLYMOUTH   | 1996 Voyager, Grand Voyager 2.4L, 3.0L, 3.3L, 3.8L  | 10-1/4" x 4"     | 20858     | 20858   | 71       |
| PLYMOUTH   | 1991-95 Voyager 2.5L, 3.0L, 3.3L, 3.8L              | 9-3/4" x 4-1/2"  | 20862     | 20862   | 71       |
| PLYMOUTH   | 1991-92 Voyager 2.5L, 3.0L, 3.3L                    | 10" x 4"         | 20608     | 608     | 71       |
| PLYMOUTH   | 1987-90 Voyager 2.5L, 3.0L, 3.3L                    | 9" x 4-3/8"      | 20610     | 610     | 71       |
| PLYMOUTH   | 1987 Voyager 2.6L                                   | 9" x 4-3/8"      | 20610     | 610     | 71       |
| PONTIAC    | 1997-2000 Sunfire 2.2L                              | 11-1/2" x 4-1/2" | 20847     | 847     | 73       |
| PONTIAC    | 1994-96 Grand Am 2.3L, 2.4L, 3.1L                   | 11-1/4" x 4-1/2" | 20843     | 843     | 72       |
| PONTIAC    | 1992-94 Sunbird 122 C.I.D. (2.4L) 189 C.I.D. (3.1L) | 10-1/2" x 4"     | 20870     | 20870   | 73       |
| PONTIAC    | 1990-93 Grand Am 138 (Exc. H.O.)                    | 9-3/4" x 4-1/2"  | 20824     | 824     | 72       |
| PONTIAC    | 1988-93 Sunbird 121, 189                            | 9-3/4" x 4-1/2"  | 20824     | 824     | 72       |
| PONTIAC    | 1985-91 Grand Am 121, 140, 151                      | 9-3/4" x 4-1/2"  | 20824     | 824     | 72       |
| SATURN     | 1999-02 SC & SL Series 1.9L                         | 11" x 7"         | 20853     | 853     | 73       |
| SATURN     | 1999-02 SC & SL Series                              | 9-1/8" x 7"      | 20855     | 855     | 73       |
| SATURN     | 1999-01 SW Series 1.9L                              | 11" x 7"         | 20853     | 853     | 73       |
| SATURN     | 1993-01 SW Series 1.9L                              | 11-1/8" x 9/16"  | 20869     | 869     | 73       |
| SATURN     | 1999 SW Series                                      | 9-1/8" x 7"      | 20855     | 855     | 73       |
| SATURN     | 1991-97 1.9L SC, SC1, SC2, SL, SL2, SW1, SW2,       | 10-1/2" x 4-3/4" | 20875     | 20875   | 73       |
| SATURN     | 1991-97 1.9L SC, SC1, SC2, SL, SL1, SL2, SW1, SW2   | 10" x 4"         | 20839     | 839     | 73       |
| SATURN     | 1991-92 SL Series 1.9                               | 11-1/8" x 9/16"  | 20869     | 869     | 73       |
| SATURN     | 1991-03 SC Series 1.9L                              | 11-1/8" x 9/16"  | 20869     | 869     | 73       |
| TOYOTA     | 1998-02 Corolla 1.8L                                | 11-1/8" x 5-5/8" | 20273     | 273     | 74       |
| VOLVO      | 1986-95 Fits 6" Round                               | Fits 6" Round    | 20235     | 235     | 74       |
| VOLVO      | 1989-90 740 2.3L, (B230F, B230FT)                   | 8-3/4" x 4-5/16" | 20879     | 20879   | 74       |

|           |                                              |                    |       |     |    |
|-----------|----------------------------------------------|--------------------|-------|-----|----|
| UNIVERSAL | 304 Stainless Steel Fits Oval Style Mufflers | Fits 9" to 11-1/2" | 20521 | 521 | 74 |
| UNIVERSAL | 304 Stainless Steel Fits Round Mufflers      | Fits 6" to 8"      | 20522 | 522 | 74 |

# Muffler Straps

**20240** **240**

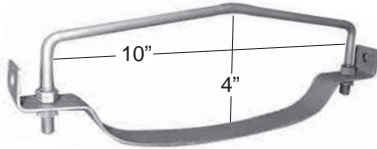
Add "P" for Plated



A. N/A M. N/A  
R. N/A W. N/A

**20608** **608**

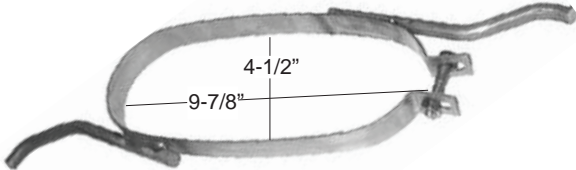
Add "P" for Plated



A. 8067 M. TPH1317B  
R. BR92069 W. N/A

**20856** **20856**

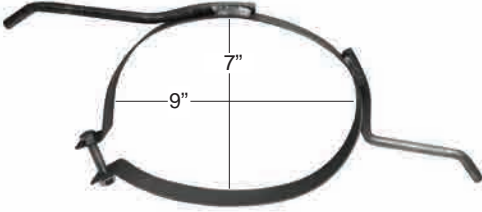
Add "P" for Plated



A. N/A M. TPH1023B  
R. BR92208 W. 36234

**20860** **20860**


Add "P" for Plated



A. 8022 M. N/A  
R. N/A W. N/A

**20233** **20233**

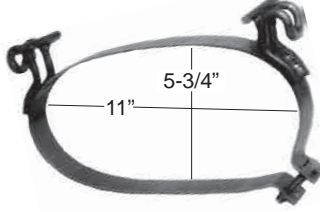
Add "P" for Plated



A. N/A M. BR92196  
R. BR92196 W. 36233

**20242** **242**

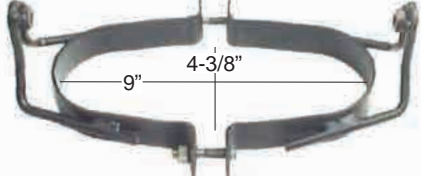
Add "P" for Plated



A. N/A M. N/A  
R. N/A W. N/A

**20610** **610**


Add "P" for Plated



A. N/A M. TPH1156B  
R. BR92036 W. 35917

**20858** **20858**

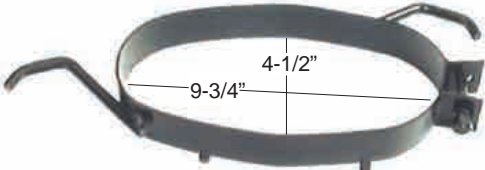
Add "P" for Plated



A. 8055 M. TPH1015B  
R. BR92162 W. N/A

**20862** **20862**

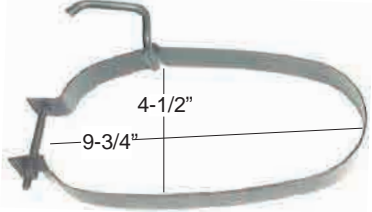
Add "P" for Plated



A. N/A M. MSS2173  
R. BR92173 W. 35186

**20708** **708**

Add "P" for Plated



A. N/A M. TPH868B  
R. BR91962 W. 35511

BMW

CHRYSLER/DODGE

CHRYSLER/DODGE

CHRYSLER/DODGE

FORD

BMW

CHRYSLER/DODGE

CHRYSLER/DODGE

CHRYSLER/DODGE

FORD

A. AP/GOERLICH'S; M. MARWIL; R. ROL; W. WALKER

**DESIGN MAKES THE DIFFERENCE**

# Muffler Straps

**20713** **713**

Add "P" for Plated

**FORD**

A. N/A  
R. N/A

M. N/A  
W. N/A

**20714** **714**

Add "P" for Plated

**FORD**

A. N/A  
R. N/A

M. N/A  
W. N/A

**20715** **715**

Add "P" for Plated

**FORD**

A. N/A  
R. BR92284

M. MSS2284  
W. 35912

**20876** **20876**

Add "P" for Plated

**FORD**

A. 8017  
R. BR92285

M. MSS878  
W. N/A

**20877** **20877**

Add "P" for Plated

**FORD**

A. 8158  
R. BR92230

M. TPH1330B  
W. N/A

**20273** **273**

Add "P" for Plated

**GM**

A. N/A  
R. BR92920

M. TPH2920B  
W. 36375

**20823** **823**

Add "P" for Plated

**GM**

A. 8081  
R. BR778

M. TPH234B  
W. 35703

**20824** **824**

Add "P" for Plated

**GM**

A. N/A  
R. BR856

M. TPH856B  
W. 35724

**20843** **843**

Add "P" for Plated

**GM**

A. 8014  
R. BR92192

M. TPH1035B  
W. 36153

**20844** **844**

Add "P" for Plated

**GM**

A. N/A  
R. BR92222

M. TPH1327B  
W. 36163

A. AP/GOERLICH'S; M. MARWIL; R. ROL; W. WALKER

**DESIGN MAKES THE DIFFERENCE**

# Muffler Straps

**20845** **845**

Add "P" for Plated

A. 8054 M. TPH1328B  
R. BR92225 W. N/A

**20847** **847**

Add "P" for Plated

A. 8013 M. TPH2238B  
R. BR92238 W. 36360

**20870** **20870**

Add "P" for Plated

A. 8062 M. TPH1003B  
R. BR92114 W. N/A

**20878** **20878**

Add "P" for Plated

A. N/A M. TPH1000B  
R. BR92108 W. 36125

**20238** **238**

Add "P" for Plated

A. 8175 M. BR92202  
R. BR92202 W. N/A

**20839** **839**

Add "P" for Plated

A. N/A M. TPH859B  
R. BR92090 W. 36372

**20853** **853**

Add "P" for Plated

A. N/A M. TPH2926B  
R. BR92926 W. N/A

**20855** **855**

Add "P" for Plated

A. N/A M. TPH2263B  
R. BR92263 W. 36376

**20869** **869**

Add "P" for Plated

A. 8087 M. TPH2925B  
R. BR92925 W. N/A

**20875** **20875**

Add "P" for Plated

A. N/A M. TPH1331B  
R. BR92249 W. N/A

A. AP/GOERLICH'S; M. MARWIL; R. ROL; W. WALKER

**DESIGN MAKES THE DIFFERENCE**

# Muffler Straps

|                                       |             |
|---------------------------------------|-------------|
| <b>20273</b>                          | <b>273</b>  |
| <b>Add "P" for Plated</b>             |             |
|                                       |             |
| <b>For Rubber Insulator use 16246</b> |             |
| A. N/A                                | M. TPH2920B |
| R. BR92920                            | W. 36375    |

|                                                            |            |
|------------------------------------------------------------|------------|
| <b>20521</b>                                               | <b>521</b> |
| <b>Add "P" for Plated</b>                                  |            |
|                                                            |            |
| 304 Stainless<br>Fits Oval Style Mufflers<br>9" to 11-1/2" |            |
| A. N/A                                                     | M. N/A     |
| R. N/A                                                     | W. N/A     |

|                                                  |            |
|--------------------------------------------------|------------|
| <b>20522</b>                                     | <b>522</b> |
| <b>Add "P" for Plated</b>                        |            |
|                                                  |            |
| 304 Stainless<br>Fits Round Mufflers<br>6" to 8" |            |
| A. N/A                                           | M. N/A     |
| R. N/A                                           | W. N/A     |

|                           |            |
|---------------------------|------------|
| <b>20235</b>              | <b>235</b> |
| <b>Add "P" for Plated</b> |            |
|                           |            |
| 6"                        |            |
| A. N/A                    | M. N/A     |
| R. N/A                    | W. N/A     |

|                           |              |
|---------------------------|--------------|
| <b>20879</b>              | <b>20879</b> |
| <b>Add "P" for Plated</b> |              |
|                           |              |
| 8-3/4"      4-5/16"       |              |
| A. N/A                    | M. TH1086B   |
| R. BR91975                | W. 35152     |



A. AP/GOERLICH'S; M. MARWIL; R. ROL; W. WALKER

**DESIGN MAKES THE DIFFERENCE**

# Rubber Metal Bracket Application Information

| Make     | Application Information                                                                                           | Dimensions                   | ni Number | Item Number | See Page |
|----------|-------------------------------------------------------------------------------------------------------------------|------------------------------|-----------|-------------|----------|
| BUICK    | 1994 Skylark, Somerset 138 (2.3L), 189 (3.1L)                                                                     | Muffler - Dual Left; Upper   | 26849     | 849         | 81       |
| BUICK    | 1992 Regal, Skylark 138                                                                                           | Muffler - Rear               | 26812     | 812         | 81       |
| BUICK    | 1992 Skylark 2.3L, 3.3L                                                                                           | Muffler                      | 26834     | 834         | 81       |
| BUICK    | 1986-87 Century, Regal 307                                                                                        | Tail Pipe; Dual Outlet Right | 26821     | 821         | 81       |
| BUICK    | 1985-87 Regal, Skylark 181                                                                                        | Muffler - Rear               | 26812     | 812         | 81       |
| BUICK    | 1985-87 Skylark, Skyhawk, Somerset 112, 121, 122, 181                                                             | Muffler - Front              | 26813     | 813         | 81       |
| BUICK    | 1984-87 Skyhawk 112, 121                                                                                          | Muffler - Rear               | 26812     | 812         | 81       |
| BUICK    | 1984-87 Skyhawk 112, 121                                                                                          | 2nd. Pipe - Muffler Rear     | 26804     | 804         | 80       |
| BUICK    | 1982-87 Century, Skylark 151, 181, 231, 260D                                                                      | 2nd. Pipe - Muffler Rear     | 26804     | 804         | 80       |
| BUICK    | 1980-87 Century, Regal 231, 252, 265, 301, 305, 307, 350N                                                         | Exh. Pipe 3rd, Muffler Rear  | 26810     | 810         | 81       |
| BUICK    | 1980-83 Century, REGAL 231, 252, 265, 301, 305, 350N                                                              | Tail Pipe; Dual Outlet Right | 26821     | 821         | 81       |
| BUICK    | 1979-85 Riviera 252, 231, 307, 350N                                                                               | Tail Pipe                    | 26820     | 820         | 81       |
| BUICK    | 1977-92 Electra, Le Sabre, Estate Wagon, Roadmaster 231 (Exc. 1986-92), 252, 301, 305, 307, 350H, J, N, R, X, 403 | Muffler                      | 26807     | 807         | 80       |
| BUICK    | 1977-79 Electra, Le Sabre 231, 301, 350H, J, R, 403,                                                              | Tail Pipe                    | 26808     | 809         | 81       |
| BUICK    | 1977-78 Riviera 350 J, R, X, 403                                                                                  | Muffler                      | 26807     | 807         | 80       |
| BUICK    | 1977-78 Riviera 350J, R, X, 403                                                                                   | Tail Pipe                    | 26808     | 809         | 81       |
| CADILLAC | 1986-92 Fleetwood Brougham 305, 350                                                                               | Tail Pipe                    | 26808     | 809         | 81       |
| CADILLAC | 1985-88 Cimarron 173                                                                                              | Muffler - Rear               | 26812     | 812         | 81       |
| CADILLAC | 1985-87 Cimarron 173                                                                                              | Muffler - Front              | 26813     | 813         | 81       |
| CADILLAC | 1984-86 Cimarron 121                                                                                              | Muffler - Front              | 26813     | 813         | 81       |
| CADILLAC | 1983-88 Cimarron 112, 121                                                                                         | Muffler - Rear               | 26812     | 812         | 81       |

# Rubber Metal Bracket Application Information Cont.

| Make      | Application Information                               | Dimensions                        | ni Number | Item Number | See Page |
|-----------|-------------------------------------------------------|-----------------------------------|-----------|-------------|----------|
| CADILLAC  | 1982-85 Deville, Fleetwood Brougham 252, 368          | Tail Pipe                         | 26808     | 809         | 81       |
| CADILLAC  | 1980-85 Seville 250, 252, 350N-8, 368                 | Tail Pipe                         | 26820     | 820         | 81       |
| CADILLAC  | 1979-85 Eldorado 250, 252, 350N-8, 368                | Tail Pipe                         | 26820     | 820         | 81       |
| CADILLAC  | 1977-85 Deville, Fleetwood (R.W.D) 252, 350N,368, 425 | Muffler                           | 26807     | 807         | 80       |
| CADILLAC  | 1977-80 Deville, Fleetwood Brougham 350N, 425         | Tail Pipe                         | 26808     | 809         | 81       |
| CHEVROLET | 1994 Beretta, Corsica 138 (2.3L), 189 (3.1L)          | Muffler - Upper                   | 26849     | 849         | 81       |
| CHEVROLET | 1992-94 Cavalier 134 (2.2L), 189 (3.1L)               | Muffler - Upper                   | 26849     | 849         | 81       |
| CHEVROLET | 1991 Caprice Police 5.0L,1991 Caprice Wagon 5.7L      | Exh. Pipe                         | 26842     | 842         | 81       |
| CHEVROLET | 1987-92 Beretta, Corsica 2.0L, 2.3L, 2.8L, 3.1L       | Muffler                           | 26834     | 834         | 81       |
| CHEVROLET | 1985-87 Cavalier 173, 181                             | Muffler - Rear                    | 26812     | 812         | 81       |
| CHEVROLET | 1985-87 Cavalier 173, 181                             | Muffler - Front                   | 26813     | 813         | 81       |
| CHEVROLET | 1984-87 Cavalier 121                                  | Muffler - Rear                    | 26812     | 812         | 81       |
| CHEVROLET | 1984-87 Cavalier 121                                  | Muffler - Front                   | 26813     | 813         | 81       |
| CHEVROLET | 1982-93 Camaro 151, 173, 305E-F-G, 350                | Tail Pipe Single;<br>Dual - Right | 26817     | 817         | 81       |
| CHEVROLET | 1982-85 Celebrity 151, 173, 260D (Exc. Station Wagon) | Exh. Pipe 2nd.                    | 26804     | 804         | 80       |
| CHEVROLET | 1980-85 Citation 151, 173                             | Exh. Pipe 2nd.                    | 26804     | 804         | 80       |
| CHEVROLET | 1980-84 Malibu, Monte Carlo, 231, 350L-N-6-8          | Muffler - Left                    | 26810     | 810         | 81       |
| CHEVROLET | 1980-84 El Camino, Caballero, 231, 350L-N-6-8         | Muffler - Left                    | 26810     | 810         | 81       |
| CHEVROLET | 1980-84 Malibu, Monte Carlo 231, 350L-N-6-8           | Tail Pipe; Dual<br>Outlet Right   | 26821     | 821         | 81       |
| CHEVROLET | 1980-81 Malibu, Monte Carlo 229, 267, 305             | Muffler - Left                    | 26810     | 810         | 81       |
| CHEVROLET | 1980-81 El Camino, Caballero, 229, 267, 305           | Muffler - Left                    | 26810     | 810         | 81       |

# Rubber Metal Bracket Application Information Cont.

| Make      | Application Information                                                                                 | Dimensions                            | ni Number | Item Number | See Page |
|-----------|---------------------------------------------------------------------------------------------------------|---------------------------------------|-----------|-------------|----------|
| CHEVROLET | 1980-81 Malibu, Monte Carlo 229, 267, 305                                                               | Tail Pipe; Dual Outlet Right          | 26821     | 821         | 81       |
| CHEVROLET | 1977-92 Caprice, Impala, 229, 231, 250, 262, 267, 305, 307, 350L,350N                                   | Muffler                               | 26807     | 807         | 80       |
| CHEVROLET | 1977-90 Caprice, Impala (Exc. Station Wagon) 229, 231, 250, 262, 267, 305, 307, 350H, 350L              | Tail Pipe                             | 26808     | 809         | 81       |
| CHEVROLET | 1962-74 Chevelle, GTO, Lemans, Tempest                                                                  | Exh. Pipe                             | 26155     | 26155       | 80       |
| CHEVROLET | 1962-74 Chevelle, GTO, Lemans, Tempest                                                                  | Exh. Pipe                             | 26156     | 26156       | 80       |
| FORD      | 1990-91 Crown Victoria,(Police) 351 (5.8L)                                                              | Tail Pipe Single - Dual               | 26701     | 701         | 80       |
| FORD      | 1987-88 Cougar, Thunderbird 140 (2.3L), 232 (3.8L)                                                      | Tail Pipe Single - Dual               | 26701     | 701         | 80       |
| FORD      | 1987-88 Cougar, Thunderbird 140 (2.3L), 232 (3.8L) 302, (5.0L)                                          | Tail Pipe Dual Left; Muffler - Single | 26706     | 706         | 80       |
| FORD      | 1984-85 Continental, Mark VII 149 (2.4L Diesel)                                                         | Tail Pipe Dual Left; Muffler - Single | 26706     | 706         | 80       |
| FORD      | 1980-89 Grand Marquis, LTD, Marquis 255 (4.2L), 302 (5.0L), 351 (5.8L)                                  | Tail Pipe Single - Dual               | 26701     | 701         | 80       |
| FORD      | 1980-82 Continental, Cougar, Thunderbird 200, (3.3L) 232 (3.8L) 255 (4.2L) 302 (5.0L)                   | Tail Pipe Dual Left; Muffler - Single | 26706     | 706         | 80       |
| FORD      | 1979-89 Crown Victoria, LTD, Mark IV, Grand Marquis, Town Car 255, 302, 351                             | Muffler Rear; Dual - Right            | 26702     | 702         | 80       |
| FORD      | 1979-82 Capri, Cougar, Fairmont, Granada, Mustang, Zephyr 140, 200, 255, 302                            | Tailpipe - Rear                       | 26703     | 703         | 80       |
| FORD      | 1979-82 Capri, Cougar, Fairmont, Granada, Mustang, Zephyr 140, 200, 255, 302                            | Muffler - Rear                        | 26705     | 705         | 80       |
| FORD      | 1975-86 E100, E150, E250, E350, 240 (3.9L), 300 (4.9L)                                                  | Tail Pipe - Front                     | 26607     | 607         | 80       |
| FORD      | 1975-78 F100, F150, F250 300 (4.9L)                                                                     | Tail Pipe - Front                     | 26607     | 607         | 80       |
| FORD      | 1975-77 Bronco 302                                                                                      | Tail Pipe - Front                     | 26607     | 607         | 80       |
| GMC       | 1971-72 Sprint                                                                                          | Exh. Pipe                             | 26155     | 26155       | 80       |
| GMC       | 1971-72 Sprint                                                                                          | Exh. Pipe                             | 26156     | 26156       | 80       |
| JEEP      | 1979-92 Cherokee, Wagoneer, Wagoneer Sport Wagon, Grand Wagoneer, 2.5L, 2.8L 242 (4.0), 258 (4.2L,) 360 | Tail Pipe                             | 26607     | 607         | 81       |
| JEEP      | 1979-88 J10, J20 Pickup 360                                                                             | Tail Pipe                             | 26607     | 607         | 81       |



# Rubber Metal Bracket Application Information Cont.


| Make       | Application Information                                                                                           | Dimensions                 | ni Number | Item Number | See Page |
|------------|-------------------------------------------------------------------------------------------------------------------|----------------------------|-----------|-------------|----------|
| NISSAN     | 1987-93 Pathfinder 2.4L, 3.0L                                                                                     | Tail Pipe; Exh. Pipe       | 26230     | 230         | 82       |
| NISSAN     | 1986-93 Pickup 2.4L, 3.0L                                                                                         | Tail Pipe; Exh. Pipe       | 26230     | 230         | 82       |
| NISSAN     | 1980-83 720 2.0L, 2.2L                                                                                            | Tail Pipe; Exh. Pipe       | 26230     | 230         | 82       |
| NISSAN     | 1979-82 310 1397cc (1.4L), 1488cc (1.5L)                                                                          | Tail Pipe; Exh. Pipe       | 26230     | 230         | 82       |
| NISSAN     | 1978-81 510 1952cc                                                                                                | Tail Pipe; Exh. Pipe       | 26230     | 230         | 82       |
| NISSAN     | 1977-88 200SX 1908cc (1.8L), 1952cc (2.0L), 2187cc (2.2L)                                                         | Tail Pipe; Exh. Pipe       | 26230     | 230         | 82       |
| NISSAN     | 1975-82 210 1237cc (1.2L), 1397cc (1.4L) 1488cc (1.5L)                                                            | Tail Pipe; Exh. Pipe       | 26230     | 230         | 82       |
| NISSAN     | 1975-79 620 2.0L                                                                                                  | Tail Pipe; Exh. Pipe       | 26230     | 230         | 82       |
| OLDSMOBILE | 1994 Achieva 138 (2.3L), 189 (3.1L)                                                                               | Muffler - Dual Left; Upper | 26849     | 849         | 81       |
| OLDSMOBILE | 1992 Achieva 138                                                                                                  | Muffler - Rear             | 26812     | 812         | 81       |
| OLDSMOBILE | 1992 Achieva 2.3L, 3.3L                                                                                           | Muffler                    | 26834     | 834         | 81       |
| OLDSMOBILE | 1985-87 Calais 181                                                                                                | Muffler - Rear             | 26812     | 812         | 81       |
| OLDSMOBILE | 1985-87 Calais 181                                                                                                | Muffler - Front            | 26813     | 813         | 81       |
| OLDSMOBILE | 1984-88 Ciera 231 (Exc. Station Wagon)                                                                            | Exh. Pipe 2nd.             | 26804     | 804         | 80       |
| OLDSMOBILE | 1984-87 Firenza 112, 121, 173                                                                                     | Muffler - Rear             | 26812     | 812         | 81       |
| OLDSMOBILE | 1984-87 Firenza 112, 121, 173                                                                                     | Muffler - Front            | 26813     | 813         | 81       |
| OLDSMOBILE | 1982-85 Ciera 151, 181, 260D                                                                                      | Exh. Pipe 2nd.             | 26804     | 804         | 80       |
| OLDSMOBILE | 1980-88 Cutlass 231, 260D, 305, 307, 350R-N                                                                       | Muffler - Left             | 26810     | 810         | 81       |
| OLDSMOBILE | 1978-80 Delta 88 & Royale, 98 Luxury & Regency 350N                                                               | Tail Pipe                  | 26809     | 809         | 81       |
| OLDSMOBILE | 1977-90 Custom Cruiser, Delta 77 & Royale, 98 Luxury & Regency 231(Exc. 86-91), 252, 260, 307, 350G, L, N, R, 403 | Muffler                    | 26807     | 807         | 80       |
| OLDSMOBILE | 1977-85 Delta 88 & Royale, 98 Luxury & Regency 231, 252, 260, 301, 307, 350G, L, R                                | Tail Pipe                  | 26809     | 809         | 81       |

# Rubber Metal Bracket Application Information Cont.

| Make       | Application Information                                                                                                              | Dimensions                        | ni Number | Item Number | See Page |
|------------|--------------------------------------------------------------------------------------------------------------------------------------|-----------------------------------|-----------|-------------|----------|
| OLDSMOBILE | 1964-72 Cutlass, F-85, Special, Skylark                                                                                              | Exh. Pipe                         | 26155     | 26155       | 80       |
| OLDSMOBILE | 1964-72 Cutlass, F-85, Special, Skylark                                                                                              | Exh. Pipe                         | 26156     | 26156       | 80       |
| PONTIAC    | 1994 Grand Am 138 (2.3L), 189 (3.1L)                                                                                                 | Muffler Upper                     | 26849     | 849         | 81       |
| PONTIAC    | 1992-94 Sunbird 122 (2.0L), 189 (3.1L)                                                                                               | Muffler Upper                     | 26849     | 849         | 81       |
| PONTIAC    | 1992 Grand Am 2.3L, 3.3L                                                                                                             | Muffler                           | 26834     | 834         | 81       |
| PONTIAC    | 1989-91 Grand Am 138 H.O.                                                                                                            | Muffler - Front                   | 26813     | 813         | 81       |
| PONTIAC    | 1985-87 Grand Am 181                                                                                                                 | Muffler - Rear                    | 26812     | 812         | 81       |
| PONTIAC    | 1985-87 Grand Am 181                                                                                                                 | Muffler - Front                   | 26813     | 813         | 81       |
| PONTIAC    | 1984-87 Sunbird 112, 121                                                                                                             | Muffler - Rear                    | 26812     | 812         | 81       |
| PONTIAC    | 1984-87 Sunbird 112, 121                                                                                                             | Muffler - Front                   | 26813     | 813         | 81       |
| PONTIAC    | 1982-93 Firebird 151, 173, 189, 305E-F-G-H, 350-8                                                                                    | Tail Pipe Single;<br>Dual - Right | 26817     | 817         | 81       |
| PONTIAC    | 1982-85 6000 151, 173, 260D (Exc. Station Wagon)                                                                                     | Exh. Pipe 2nd.                    | 26804     | 804         | 80       |
| PONTIAC    | 1980-87 Bonneville, Grand Prix 231, 252, 265, 301, 305, 350N                                                                         | Muffler - Left                    | 26810     | 810         | 81       |
| PONTIAC    | 1980-84 Phoenix 151, 173                                                                                                             | Exh. Pipe 2nd.                    | 26804     | 804         | 80       |
| PONTIAC    | 1980-84 Bonneville, Grand Prix, Lemans 252,265, 305, 301, 350N                                                                       | Tail Pipe; Dual<br>Outlet Right   | 26821     | 821         | 81       |
| PONTIAC    | 1980-81 Lemans 229, 231, 265, 301, 305                                                                                               | Muffler - Left                    | 26810     | 810         | 81       |
| PONTIAC    | 1980-81 Bonneville, Grand Prix, Lemans 229, 231                                                                                      | Tail Pipe; Dual<br>Outlet Right   | 26821     | 821         | 81       |
| PONTIAC    | 1980 Bonneville, Catalina                                                                                                            | Tail Pipe                         | 26808     | 809         | 81       |
| PONTIAC    | 1978-79 Bonneville, Catalina 403 (Calif. Only)                                                                                       | Tail Pipe                         | 26820     | 820         | 81       |
| PONTIAC    | 1977-86 Bonneville, Catalina, Parisienne, Safari (Inc. Station Wagon) 229, 231(84 ONLY), 265, 301, 305, 307, 350N, P, R, X, 400, 403 | Muffler                           | 26807     | 807         | 80       |
| PONTIAC    | 1977-86 Bonneville, Catalina, Parisienne (Exc. Station Wagon) 229, 231, 265, 301, 305, 307, 350P, R, X, 400, 403                     | Tail Pipe                         | 26808     | 809         | 81       |
| PONTIAC    | 1969-72 Grand Prix, Monte Carlo                                                                                                      | Exh. Pipe                         | 26155     | 26155       | 80       |
| PONTIAC    | 1969-72 Grand Prix, Monte Carlo                                                                                                      | Exh. Pipe                         | 26156     | 26156       | 80       |

# Rubber Metal Brackets

**26607** **607**



A. 8572 M. TPH460B  
R. BR383 W. N/A

FORD

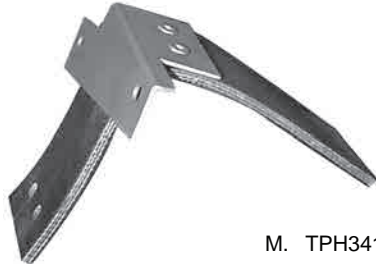
**26701** **701**



A. 8221 M. TPH1319B  
R. BR868 W. 35726

FORD

**26702** **702**



A. 8238 M. TPH341B  
R. BR365 W. 35380

FORD


**26703** **703**



A. 8587 M. TPH343B  
R. BR367 W. 35379

FORD


**26705** **705**



A. 8596 M. TPH344B  
R. BR368 W. 35382

FORD


**26706** **706**



A. N/A M. N/A  
R. N/A W. N/A

FORD


**26155** **26155**



A. 8390 M. TPH146B  
R. BR141 W. 35671

GM

**26156** **26156**



A. 8391 M. TPH147B  
R. BR142 W. 35871

GM

**26804** **804**



A. N/A M. TPH213B  
R. BR720 W. 35547

GM

**26807** **807**



A. 8573 M. TPH202B  
R. BR323 W. 35270


GM

A. AP/GOERLICH'S; M. MARWIL; R. ROL; W. WALKER

**DESIGN MAKES THE DIFFERENCE**

# Rubber Metal Brackets

**26809** **809**




A. 8568 M. TPH199B  
R. BR320 W. 35941

**26810** **810**



A. 8247 M. TPH214B  
R. BR723 W. 35546

**26812** **812**



A. 8200 M. TPH870B  
R. BR870 W. 35720

**26813** **813**



A. 8124 M. TPH858B  
R. BR858 W. 35285

**26817** **817**




A. 8165 M. TPH222B  
R. BR779 W. 35475

**26820** **820**



A. N/A M. TPH218B  
R. BR672 W. 35377

**26821** **821**



A. 8246 M. TPH217B  
R. BR740 W. N/A

**26834** **834**




A. 8123 M. TPH1250B  
R. BR91959 W. 35503

**26842** **842**



A. 8118 M. TPH1254B  
R. BR91983 W. 35244

**26849** **849**



A. 8011 M. TPH1318B  
R. BR92074 W. 35262

A. AP/GOERLICH'S; M. MARWIL; R. ROL; W. WALKER

**DESIGN MAKES  
THE DIFFERENCE**

# Rubber Metal Brackets

26607

607



JEEP

A. 8572  
R. BR383

M. TPH460B  
W. N/A

26230

230



NISSAN

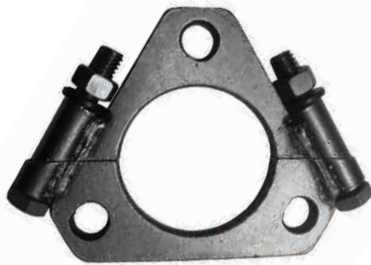
A. 8519  
R. BR598

M. FEH380  
W. 35040/35126

A. AP/GOERLICH'S; M. MARWIL; R. ROL; W. WALKER

**DESIGN MAKES  
THE DIFFERENCE**

# OEM & Universal Flanges



**DESIGN MAKES  
THE DIFFERENCE**

This page has been intentionally left blank.

# Flange Dimensions

## OEM STYLE 1

| ni Number | Item Number | Port Hole Size | Bolt Hole Center | Bolt Hole Size | Width    |
|-----------|-------------|----------------|------------------|----------------|----------|
| 15002     | 15002       | 2-1/8"         | 2-11/16"         | 7/16"          | 3-25/32" |
| 15113     | 15113       | 2-1/8"         | 2-11/16"         | 13/32"         | 3-25/32" |



OEM Style 1

## OEM STYLE 2

| ni Number | Item Number | Port Hole Size | Bolt Hole Center | Bolt Hole Size | Width    |
|-----------|-------------|----------------|------------------|----------------|----------|
| 15121     | 15121       | 2-7/16"        | 3-1/4"           | 17/32"         | 5-5/8"   |
| 15114     | 15114       | 2-11/16"       | 3-1/8"           | 1/2"           | 5-21/32" |
| 15017     | 15017       | 2-23/32"       | 3-1/8"           | 17/32"         | 4-15/16" |



OEM Style 2

## OEM STYLE 3

| ni Number | Item Number | Port Hole Size | Bolt Hole Center | Bolt Hole Size | Width    |
|-----------|-------------|----------------|------------------|----------------|----------|
| 15020     | 15020       | 2-1/8"         | 3-3/4"           | 7/16"          | 2-7/16"  |
| 15020S    | 15020S      | 2-1/8"         | 3-3/4"           | 9/16"          | 2-7/16"  |
| 15101     | 15101       | 2-1/8"         | 3-5/8"           | 13/32" x 9/16" | 3-17/32" |
| 15033     | 15033       | 2-3/16"        | 3-11/16"         | 7/16"          | 2-1/2"   |
| 15012     | 15012       | 2-1/4"         | 3-9/16"          | 3/8" x 7/16"   | 2-25/32" |
| 15022     | 15022       | 2-7/16"        | 3-13/16"         | 7/16"          | 2-3/4"   |
| 15022S    | 15022S      | 2-7/16"        | 3-5/8"           | 5/8" x 7/16"   | 2-13/16" |
| 15001     | 15001       | 2-7/16"        | 3-1/2"           | 1/2" x 7/16"   | 2-3/4"   |
| 15102     | 15102       | 2-7/16"        | 3-5/8"           | 7/16" x 9/16"  | 3"       |
| 15035     | 15035       | 2-19/32"       | 4-5/16"          | 15/16" x 1/2"  | 3-1/16"  |
| 15014     | 15014       | 2-11/16"       | 3-13/16"         | 7/16"          | 3-1/8"   |
| 15015     | 15015       | 2-11/16"       | 3-13/16"         | 1/2"           | 3"       |
| 15103     | 15103       | 2-11/16"       | 3-3/4"           | 13/32"         | 3-13/16" |
| 15044     | 15044       | 3-1/8"         | 4-7/16"          | 1/2"           | 3-1/2"   |
| 15108     | 15108       | 3-3/16"        | 4-1/4"           | 1/2"           | 3-3/4"   |



OEM Style 3



## OEM STYLE 4

| ni Number | Item Number | Port Hole Size | Bolt Hole Center | Bolt Hole Size | Width    |
|-----------|-------------|----------------|------------------|----------------|----------|
| 15007     | 15007       | 2"             | 3-1/2"           | 9/16"          | 3-1/4"   |
| 15019     | 15019       | 2-1/16"        | 3-7/16"          | 1/2"           | 3-1/4"   |
| 15028     | 15028       | 2-1/16"        | 4-7/16"          | 3/8"           | 3-1/4"   |
| 15005     | 15005       | 2-1/8"         | 3-5/8"           | 5/8"           | 3-1/2"   |
| 15027     | 15027       | 2-1/8"         | 3-1/16"          | 7/16"          | 3-5/32"  |
| 15032     | 15032       | 2-3/16"        | 3-5/8"           | 5/8"           | 3-7/16"  |
| 15008     | 15008       | 2-3/8"         | 3-11/16"         | 7/16" x 13/32" | 3-7/16"  |
| 15514     | 15514       | 2-7/16"        | 3-7/8"           | 7/8" x 1/2"    | 3-3/4"   |
| 15003     | 15003       | 2-7/16"        | 4-1/16"          | 9/16"          | 3-3/4"   |
| 15004     | 15004       | 2-1/2"         | 3-7/8"           | 5/16"          | 3-11/16" |
| 15006     | 15006       | 2-3/4"         | 4"               | 5/16"          | 3-7/8"   |



OEM Style 4

## OEM STYLE 5

| ni Number | Item Number | Port Hole Size | Bolt Hole Center | Bolt Hole Size | Width    |
|-----------|-------------|----------------|------------------|----------------|----------|
| 15030     | 15030       | 2-1/16"        | 3-1/2"           | 1/2"           | 3-3/8"   |
| 15018     | 15018       | 2-1/16"        | 4"               | 1/2"           | 3-5/16"  |
| 15013     | 15013       | 2-1/16"        | 3-3/8"           | 1/2"           | 3-1/4"   |
| 15105     | 15105       | 2-1/8"         | 3-3/4"           | 7/8" X 1/2"    | 3-11/32" |
| 15021     | 15021       | 2-1/4"         | 4"               | 7/16"          | 3-3/8"   |
| 15195A    | 195A        | 2-1/4"         | 4"               | 5/8"           |          |
| 15109     | 15109       | 2-1/4"         | 3-7/8"           | 11/16"         | 3-7/16"  |
| 15009     | 15009       | 2-5/16"        | 3-1/4"           | 1/2"           | 3-1/2"   |
| 15016     | 15016       | 2-7/16"        | 3-19/32"         | 7/16"          | 3-7/16"  |
| 15104     | 15104       | 2-9/16"        | 3-7/8"           | 11/16"         | 3-15/32" |
| 15031     | 15031       | 2-9/16"        | 3-3/4"           | 1/2"           | 3-5/8"   |
| 15029     | 15029       | 2-5/8"         | 3-3/4"           | 1/2"           | 3-17/32" |
| 15043     | 15043       | 2-5/8"         | 3-15/16"         | 11/16"         | 3-1/2"   |
| 15127     | 15127       | 2-13/16"       | 5-3/16"          | 1/2"           | 4-11/16" |



OEM Style 5

## OEM STYLE 6

| ni Number | Item Number | Port Hole Size | Bolt Hole Center | Bolt Hole Size | Width  | Thickness |
|-----------|-------------|----------------|------------------|----------------|--------|-----------|
| 15011     | 15011       | 2-1/8"         | 3-1/8"           | 7/16"          | 3-1/4" | 3-9/32"   |



OEM Style 6

## OEM STYLE 7

| ni Number | Item Number | Port Hole Size | Bolt Hole Center | Bolt Hole Size | Width    | Thickness |
|-----------|-------------|----------------|------------------|----------------|----------|-----------|
| 15903     | 15903       | 13/16"         |                  |                |          | 3/8"      |
| 15515     | 15515       | 1-5/8"         | 2-1/2"           | 7/16"          | 2-3/16"  | 5/16"     |
| 15023     | 15023       | 2-1/16"        | 3"               | 1/2"           | 2-11/16" | 7/16"     |
| 15132     | 15132       | 2-1/4"         | 3-1/2"           | 1/2"           | 3"       | 3/8"      |
| 15116     | 15116       | 2-5/8"         | 4-1/4"           | 1/2"           | 3-1/2"   | 5/16"     |
| 15059     | 15059       | 3"             | 4-1/8"           | 3/8"           | 3-3/4"   | 3/8"      |
| 15049     | 15049       | 3"             | 4-1/8"           | 1/2"           | 3-3/4"   | 3/8"      |



OEM Style 7

## OEM STYLE 8

| ni Number | Item Number | Port Hole Size | Bolt Hole Center | Bolt Hole Size | Width     | Thickness |
|-----------|-------------|----------------|------------------|----------------|-----------|-----------|
| 15338     | 338         | 2-1/8"         | 2-13/16"         | 3/8"           | Irregular | 5/16"     |



OEM Style 8

## OEM STYLE 9

| ni Number | Item Number | Port Hole Size | Bolt Hole Center | Bolt Hole Size | Width    | Thickness |
|-----------|-------------|----------------|------------------|----------------|----------|-----------|
| 15120     | 15120       | 1-7/8"         | 2-19/32"         | 13/32"         | 4-5/8"   | 5/16"     |
| 15340     | 15340       | 2"             | 2-3/4"           | 5/8" x 1/2"    | 3-11/32" | 5/16"     |
| 15058     | 15058       | 2-1/4"         | 2-11/16"         | 7/16"          | 3-11/16" | 3/8"      |
| 15126     | 15126       | 2-1/4"         | 2-11/16"         | 7/16"          | 3-11/16" | 5/16"     |
| 15328     | 328         | 2-1/2"         | 3"               | 7/16"          | 4-1/4"   | 5/16"     |
| 15509     | 15509       | 2-1/2"         | 3"               | 1/2" x 17/32"  | 3-3/4"   | 5/16"     |
| 15327     | 327         | 2-1/2"         | 2-13/16"         | 7/16"          | 3-15/16" | 5/16"     |
| 15051     | 15051       | 2-1/2"         | 3-7/8"           | 7/16"          | 4-3/4"   | 1/2"      |
| 15112     | 15112       | 2-5/8"         | 2-7/8"           | 7/16"          | 3-7/8"   | 5/16"     |
| 15057     | 15057       | 2-5/8"         | 3"               | 7/16"          | 3-7/8"   | 3/8"      |
| 15501     | 15501       | 2-5/8"         | 3"               | 7/16"          | 3-7/8"   | 5/16"     |
| 15025     | 15025       | 2-5/8"         | 3-1/8"           | 3/8"           | 3-7/8"   | 7/16"     |
| 15047     | 15047       | 2-5/8"         | 3-1/4"           | 7/16"          | 4-1/8"   | 3/8"      |
| 15040     | 15040       | 2-3/4"         | 4-7/16"          | 7/16"          | 5-3/8"   | 3/8"      |
| 15330     | 330         | 3-7/16"        | 3-13/16"         | 3/8"           | 4-9/16"  | 5/16"     |

OEM Style 9



## OEM STYLE 15

| ni Number | Item Number | Port Hole Size | Bolt Hole Center | Bolt Hole Size | Width | Thickness |
|-----------|-------------|----------------|------------------|----------------|-------|-----------|
| 15337     | 15337       | 1-3/4"         | 2-1/2"           | 1/2"           |       | 5/16"     |
| 15050     | 15050       | 2-1/2"         | 3-7/8" & 3"      | 15/32"         |       | 3/8"      |

OEM Style 15



# Flange Dimensions Cont.

## OEM STYLE 16

| ni Number | Item Number | Port Hole Size | Bolt Hole Center | Bolt Hole Size | Width   | Thickness |
|-----------|-------------|----------------|------------------|----------------|---------|-----------|
| 15042     | 15042       | 2"             | 4"               | 13/16"         | 3-5/16" |           |
| 15034     | 15034       | 2-1/16"        | 3-1/2"           | 3/4"           | 2-1/2"  | 2-19/32"  |
| 15041     | 15041       | 2-1/2"         | 4"               | 13/16"         | 3-5/16" |           |



OEM Style 16

## OEM STYLE 17

| ni Number | Item Number | Port Hole Size | Bolt Hole Center | Bolt Hole Size | Width | Thickness |
|-----------|-------------|----------------|------------------|----------------|-------|-----------|
| 15329     | 329         | 2-3/8"         | Irregular        | 3/8"           |       | 5/16"     |



OEM Style 17

## OEM STYLE 18

| ni Number | Item Number | Port Hole Size | Bolt Hole Center | Bolt Hole Size | Width | Thickness |
|-----------|-------------|----------------|------------------|----------------|-------|-----------|
| 15048     | 15048       | 2"             | Irregular        | 7/16"          |       | 3/8"      |
| 15039     | 15039       | 2-1/4"         | Irregular        | 7/16"          |       | 3/8"      |
| 15046     | 15046       | 2-1/2"         | Irregular        | 7/16"          |       | 3/8"      |



OEM Style 18

## OEM STYLE 19

| ni Number | Item Number | Port Hole Size | Bolt Hole Center | Bolt Hole Size | Width | Thickness |
|-----------|-------------|----------------|------------------|----------------|-------|-----------|
| 15052     | 15042       | 2-3/4"         | 3-27/32"         | 1/2"           | 5"    | 3/8"      |



OEM Style 19

# Flange Dimensions Cont.

\*\*\*PORT HOLE SIZE SHOULD BE 1/16" to 1/8" LARGER THAN THE OD OF THE PIPE\*\*\*

| <b>UNIVERSAL STYLE 7</b> |             |                |                  |                 |           |        |
|--------------------------|-------------|----------------|------------------|-----------------|-----------|--------|
| ni Number                | Item Number | Port Hole Size | Bolt Hole Center | Bolt Hole Size  | Thickness | Gasket |
| 15071                    | 15071       | 1-3/4"         | 3-1/4"           | 1/2" x 3/4"     | 5/16"     | 13001  |
| 15507                    | 15507       | 1-3/4"         | 3-1/2"           | 1/2" x 3/4"     | 5/16"     | 13181  |
| 15512                    | 15512       | 1-3/4"         | 3-7/16"          | 1/2" x 3/4"     | 5//16'    | 13181  |
| 15320                    | 320         | 1-3/4"         | 3-7/16"          | 1/2" x 3/4"     | 5//16'    | 13181  |
| 15321                    | 321         | 1-7/8"         | 3-7/16"          | 1/2" x 3/4"     | 5/16"     | 13182  |
| 15485                    | 15485       | 2"             | 3-1/2"           | 1/2" x 3/4"     | 5/16"     | 13184  |
| 15130                    | 15130       | 2"             | 3"               | 1/2" x 3/4"     | 5/16"     | 13002  |
| 15322                    | 322         | 2"             | 3-1/2"           | 1/2" x 3/4"     | 5/16"     | 13184  |
| 15115                    | 15115       | 2"             | 3-15/16"         | 9/16" x 15/16"  | 5/16"     |        |
| 15487                    | 15487       | 2"             | 3-1/2"           | 1/2" x 3/4"     | 5/16"     |        |
| 15498                    | 15498       | 2-1/16"        | 3-13/16"         | 11/16" x 17/32" | 3/8"      | 13002  |
| 15484                    | 15484       | 2-1/8"         | 3-1/2"           | 1/2" x 3/4"     | 5/16"     | 13184  |
| 15488                    | 15488       | 2-1/8"         | 3-1/2"           | 1/2" x 3/4"     | 5/16"     | 13184  |
| 15106                    | 15106       | 2-1/8"         | 3-1/2"           | 9/16" x 15/16"  | 5/16"     | 13184  |
| 15492                    | 15492       | 2-1/4"         | 3-15/16"         | 7/8" x 1/2"     | 5/16"     | 13186  |
| 15323                    | 15323       | 2-1/4"         | 3-1/2"           | 1/2" x 3/4"     | 5/16"     |        |
| 15132                    | 15132       | 2-1/4"         | 3-1/2"           | 1/2"            | 3/8"      |        |
| 15489                    | 15489       | 2-1/4"         | 3-1/2"           | 1/2" x 3/4"     | 5/16"     |        |
| 15131                    | 15131       | 2-3/8"         | 3-15/16"         | 9/16" x 15/16"  | 3/8"      |        |
| 15107                    | 15107       | 2-3/8"         | 3-7/8"           | 1/2" x 7/8"     | 5/16"     | 13186  |
| 15324                    | 324         | 2-3/8"         | 3-3/4"           | 1/2" x 3/4"     | 5/16"     | 13186  |
| 15496                    | 15496       | 2-1/2"         | 3-15/16"         | 9/16" x 15/16"  | 5/16"     | 13187  |
| 15500                    | 15500       | 2-1/2"         | 3-15/16"         | 1/2" x 29/32"   | 5/16"     | 13187  |
| 15325                    | 15325       | 2-1/2"         | 3-3/4"           | 1/2" x 3/4"     | 5/16"     |        |
| 15490                    | 15490       | 2-1/2"         | 3-3/4"           | 1/2" x 3/4"     | 5/16"     |        |
| 15134                    | 15134       | 2-1/2"         | 3-15/16"         | 7/8" x 1/2"     | 3/8"      | 13187  |
| 15353                    | 15353       | 2-1/2"         | 3-11/16"         | 1/2" x 3/4"     | 3/8"      |        |
| 15486                    | 15486       | 2-1/2"         | 3-15/16"         | 7/8" x 1/2"     | 3/8"      |        |
| 15133                    | 15133       | 2-9/16"        | 3-7/8"           | 1/2" x 13/16"   | 5/16"     | 13187  |
| 15506                    | 15506       | 3"             | 4"               | 11/16"x 7/16"   | 3/8"      |        |
| 15069                    | 15069       | 3"             | 3-15/16"         | 11/16" x 1/2"   | 5/16"     | 13403  |



Universal Style 7

**DESIGN MAKES THE DIFFERENCE**

## UNIVERSAL STYLE 8

| ni Number | Item Number | Port Hole Size | Bolt Hole Center | Bolt Hole Size | Thickness | Gasket |
|-----------|-------------|----------------|------------------|----------------|-----------|--------|
| 15026     | 15026       | 2-1/4"         | 2-11/16"         | 7/16"          | 5/16"     | 13190  |
| 15024     | 15024       | 2-1/2"         |                  | 3/8"           | 3/8"      | 13191  |

Universal Style 8



## UNIVERSAL STYLE 9

| ni Number | Item Number | Port Hole Size | Bolt Hole Center | Bolt Hole Size  | Thickness | Gasket |
|-----------|-------------|----------------|------------------|-----------------|-----------|--------|
| 15036     | 15036       | 1-3/4"         | 2-3/4"           | 5/8" x 1/2"     | 5/16"     |        |
| 15505     | 15505       | 2"             | 2-3/4"           | 5/8" x 1/2"     | 3/8"      | 13004  |
| 15326     | 326         | 2"             | 2-11/16"         | 17/32" x 21/32" | 5/16"     | 13004  |
| 15092     | 15092       | 2-1/8"         | 2-3/4"           | 5/8" x 1/2"     | 5/16"     | 13004  |
| 15111     | 15111       | 2-1/4"         | 2-7/8"           | 1/2"            | 23/64"    |        |
| 15055     | 15055       | 2-9/32"        | 2-11/16"         | 15/32" x 19/32" | 5/16"     |        |
| 15503     | 15503       | 2-7/16"        | 3"               | 7/16" X 9/16"   | 3/8"      | 47025  |
| 15509     | 15509       | 2-1/2"         | 3"               | 1/2" x 17/32"   | 5/16"     |        |
| 15123     | 15123       | 2-5/8"         | 3-1/8"           | 1/2"            | 3/8"      |        |
| 15389     | 15389       | 2-5/8"         | 3"               | 7/16" X 9/16"   | 5/16"     | 13005  |
| 15397     | 15397       | 2-5/8"         | 3"               | 7/16" X 9/16"   | 3/8"      | 13005  |
| 15112     | 15112       | 2-5/8"         | 2-7/8"           | 7/16"           | 5/16"     |        |
| 15390     | 15390       | 3"             | 3-7/16"          | 3/8"            | 3/8"      | 47024  |
| 15334     | 334         | 3"             | 3-7/16"          | 3/8"            | 5/16"     | 47024  |
| 15351     | 15351       |                | 3"               | 7/16"           | 3/8"      |        |
| 15350     | 15350       |                | 3-7/16"          | 13/32"          | 5/16"     | 47024  |
| 15331     | 15331       |                | 3-13/16"         | 3/8"            | 3/8"      | 47026  |

Universal Style 9

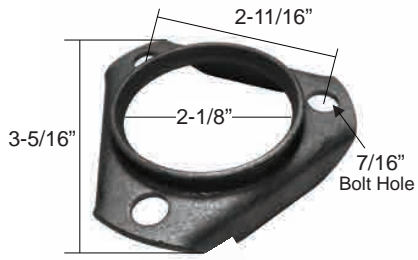


# OEM Style Flanges

15002

15002

GM



A. 8780 M. SF012  
R. SF67012 W. 31803

STYLE 1

15113

15113

GM



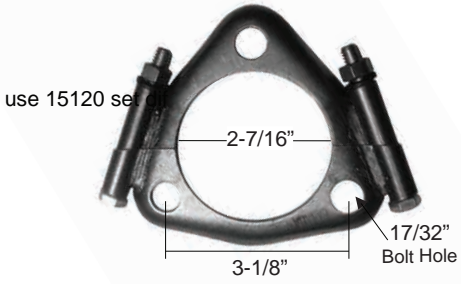
A. N/A M. F138B  
R. SF36128 W. N/A

STYLE 1

15121

15121

use 15120 set

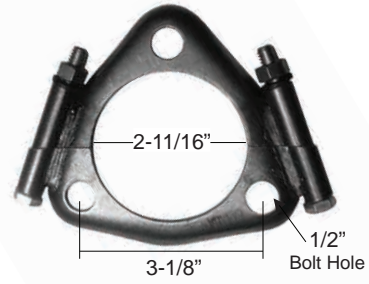


A. 9191 M. F104B  
R. SF36090 W. 36133

STYLE 2

15114

15114



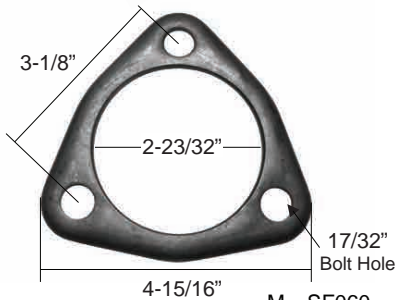
A. N/A M. F140B  
R. SF36097 W. N/A

STYLE 2

15017

15017

GM



A. 8787 M. SF060  
R. SF67059 W. 31866

STYLE 2

A. AP/GOERLICH'S; M. MARWIL; R. ROL; W. WALKER

DESIGN MAKES THE DIFFERENCE

# OEM Style Flanges

**15020** **GM** **15020**

A. 8798 M. SF077  
R. SF67077A W. 31867

**15020S** **GM** **15020S**

A. N/A M. SF139  
R. SF67077 W. N/A

**15101** **GM** **15101**

A. 9171 M. F100B  
R. SF36084 W. 36132

**15033** **AMC/GM** **15033**

A. N/A M. SF073  
R. SF67073 W. N/A

**15012** **GM** **15012**

A. 8796 M. SF041  
R. SF67041 W. 31864

**15022** **GM** **15022**

A. 8786 M. SF087  
R. SF67087 W. N/A

**15022S** **GM** **15022S**

A. 9182 M. SF342  
R. SF67087A W. 31882

**15001** **GM** **15001**

A. 8777 M. SF010  
R. SF67010A W. N/A

STYLE 3

STYLE 3

STYLE 3

STYLE 3

STYLE 3

STYLE 3

STYLE 3

STYLE 3

A. AP/GOERLICH'S; M. MARWIL; R. ROL; W. WALKER

**DESIGN MAKES THE DIFFERENCE**

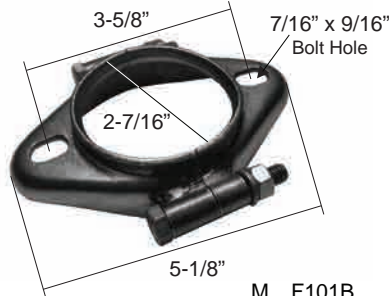


# OEM Style Flanges

15102

15102

GM



A. 9172 M. F101B  
R. SF36085 W. 36131

STYLE 3

15035

15035

GM



A. 9162 M. SF915  
R. SF67112 W. 31928

STYLE 3

15014

15014

GM



A. 8792 M. SF055  
R. SF67055 W. 31865

STYLE 3

15015

15015

GM

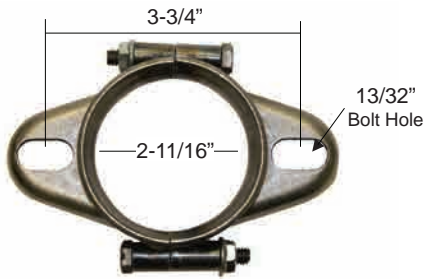


A. N/A M. SF151  
R. SF67055A W. N/A

STYLE 3

15103

15103



A. N/A M. F102B  
R. SF36086 W. 36130

STYLE 3

15044

15044

CHRYSLER/JEEP



A. N/A M. N/A  
R. N/A W. N/A

STYLE 3

15108

15108



A. N/A M. F108B  
R. SF36102 W. N/A

STYLE 3

A. AP/GOERLICH'S; M. MARWIL; R. ROL; W. WALKER

DESIGN MAKES THE DIFFERENCE

# OEM Style Flanges

**15007** **15007**  
**CHRYSLER**

A. N/A M. SF025  
 R. SF67025 W. N/A

**15019** **15019**  
**GM**

A. N/A M. SF141  
 R. SF67072 W. 31913

**15028** **15028**  
**GM**

A. N/A M. N/A  
 R. N/A W. N/A

**15005** **15005**  
**GM/CHRYSLER**

A. N/A M. SF100  
 R. SF67020 W. 31802

**15027** **15027**  
**GM**

A. 8781 M. SF014  
 R. SF67014 W. N/A

**15032** **15032**  
**GM**

A. N/A M. SF069  
 R. SF67052 W. 31856

**15008** **15008**  
**GM**

A. 8795 M. SF030  
 R. SF67030A W. 31862

**15514** **15514**  
**GM**

A. N/A M. SF089  
 R. SF36055 W. 31924

STYLE 4

STYLE 4

STYLE 4

STYLE 4

STYLE 4

STYLE 4

STYLE 4

STYLE 4

A. AP/GOERLICH'S; M. MARWIL; R. ROL; W. WALKER

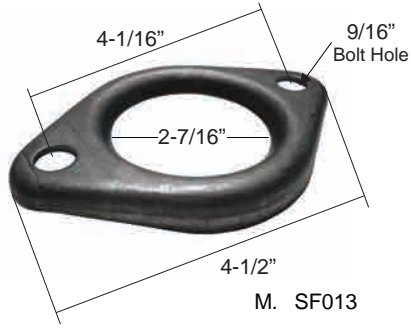
**DESIGN MAKES THE DIFFERENCE**

# OEM Style Flanges

15003

15003

**GM**



A. 8778  
R. SF67013

M. SF013  
W. 31857

STYLE 4

15004

15004

**CHRYSLER/GM**

ADD



A. N/A  
R. N/A

M. N/A  
W. N/A

STYLE 4

15006

15006

**CHRYSLER**



A. N/A  
R. N/A

M. N/A  
W. N/A

STYLE 4

A. AP/GOERLICH'S; M. MARWIL; R. ROL; W. WALKER

**DESIGN MAKES THE DIFFERENCE**

# OEM Style Flanges

**15030** **FORD** **15030**  
 4-5/8"  
 2-1/16"  
 1/2" Bolt Hole  
 3-1/2"

A. 8030 M. SF037  
 R. SF67037 W. N/A

**15018** **FORD** **15018**  
 5-1/4"  
 2-1/16"  
 1/2" Bolt Hole  
 4"

A. N/A M. SF066  
 R. SF67066 W. N/A

**15013** **FORD** **15013**  
 4-1/2"  
 2-1/16"  
 1/2" Bolt Hole  
 3-3/8"

A. N/A M. SF049  
 R. SF67049 W. 31860

**15105** **FORD** **15105**  
 5-1/4"  
 2-1/8"  
 7/8" x 1/2" Bolt Hole  
 3-3/4"

A. N/A M. F107B  
 R. SF36101 W. N/A

**15021** **FORD** **15021**  
 5-7/16"  
 2-1/4"  
 7/16" Bolt Hole  
 4"

A. 9140 M. SF082  
 R. SF67082 W. 31885

**15195A** **FORD** **195A**  
 4"  
 2-1/4"  
 5/8" Bolt Hole  
 5-1/8"

A. N/A M. F109B  
 R. SF36094 W. N/A

**15109** **FORD** **15109**  
 5"  
 2-1/4"  
 11/16" Bolt Hole  
 3-7/8"

A. 9170 M. F74B  
 R. SF36077 W. N/A

**15009** **FORD** **15009**  
 3-1/4"  
 2-5/16"  
 1/2" Bolt Hole  
 4-1/2"

A. 8791 M. SF038  
 R. SF67038 W. 31801

STYLE 5

STYLE 5

STYLE 5

STYLE 5

STYLE 5

STYLE 5

STYLE 5

STYLE 5

A. AP/GOERLICH'S; M. MARWIL; R. ROL; W. WALKER

**DESIGN MAKES THE DIFFERENCE**

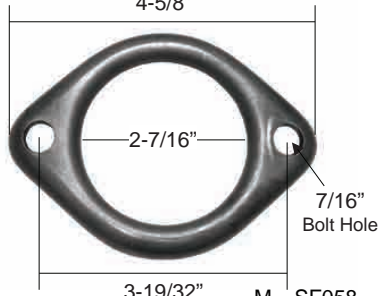
# OEM Style Flanges

15016

15016

**GM**

4-5/8"

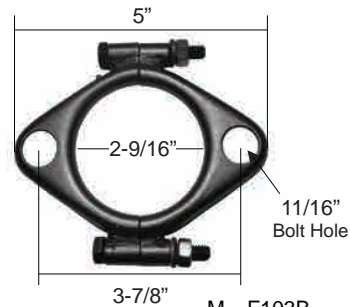


A. 8797 M. SF058  
R. SF67058 W. 31861

STYLE 5

15104

15104



A. N/A M. F103B  
R. SF36087 W. N/A

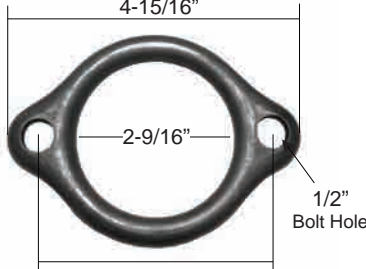
STYLE 5

15031

15031

**AMC/FORD**

4-15/16"



A. 8029 M. SF045  
R. SF67045 W. 31887

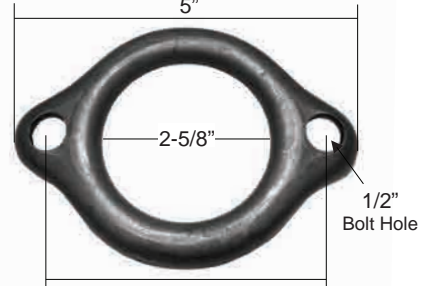
STYLE 5

15029

15029

**FORD**

5"



A. 8031 M. SF032  
R. SF67032 W. 31873

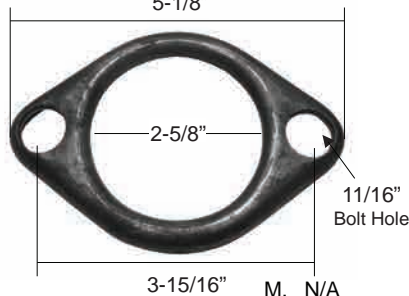
STYLE 5

15043

15043

**FORD**

5-1/8"

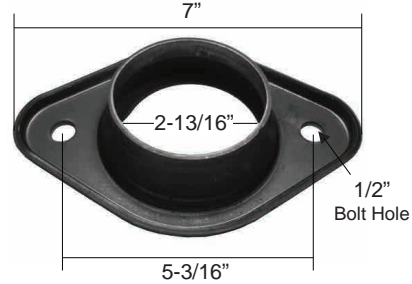


A. N/A M. N/A  
R. N/A W. N/A

STYLE 5

15127

15127



A. N/A M. SF279  
R. SF36118 W. N/A

STYLE 5

A. AP/GOERLICH'S; M. MARWIL; R. ROL; W. WALKER

**DESIGN MAKES THE DIFFERENCE**

# OEM Style Flanges

**15011** **15011**

**GM**

A. 8776 M. SF040  
R. SF67040 W. 31851

**15903** **15903**

A. 4753 M. N/A  
R. N/A W. N/A

**15515** **15515**

A. N/A M. SF875  
R. SF56018 W. N/A

**15023** **15023**

**FORD**

A. 9184 M. SF033  
R. SF68033 W. 31650

**15132** **15132**

A. N/A M. SF773  
R. SF66195 W. N/A

**15116** **15116**

A. N/A M. N/A  
R. N/A W. N/A

**15059** **15059**

A. N/A M. SF199  
R. SF199 W. N/A

**15338** **338**

A. N/A M. SF878  
R. SF56058 W. N/A

A. AP/GOERLICH'S; M. MARWIL; R. ROL; W. WALKER

**DESIGN MAKES THE DIFFERENCE**

# OEM Style Flanges

**15120** **15120**

**STYLE 9**

A. 9187 M. F105B  
R. SF56165 W. 36134

**15340** **15340**

**STYLE 9**

A. N/A M. SF048  
R. SF56065 W. N/A

**15058** **15058**

**STYLE 9**

A. N/A M. SF147  
R. SF68055 W. 31940

**15126** **15126**

**STYLE 9**

A. N/A M. SF047  
R. SF56323 W. N/A

**15328** **328**

**STYLE 9**

A. 9173 M. SF061  
R. SF46061 W. 31900

**15509** **15509**

**STYLE 9**

A. 8799 M. SF951  
R. SF56240 W. N/A

**15327** **327**

**STYLE 9**

A. 9158S M. SF028  
R. SF56028 W. 31876

**15051** **15051**

**STYLE 9**

A. N/A M. SF150602  
R. SF150602 W. N/A

A. AP/GOERLICH'S; M. MARWIL; R. ROL; W. WALKER

**DESIGN MAKES THE DIFFERENCE**

# OEM Style Flanges

**15900** **GM** **15900**

O2 Sensor Port

2-1/2"

3-7/8"

2-1/2"

4-3/4"

7/16" Bolt Hole

1/2"

A. N/A M. N/A  
R. N/A W. N/A

**STYLE 9**

**15112** **15112**

7/16" Bolt Hole

2-5/8"

2-7/8"

5/16"

A. 9188 M. F106B  
R. SF56168 W. N/A

**STYLE 9**

**15057** **15057**

3"

2-5/8"

3-7/8"

7/16" Bolt Hole

3/8"

A. N/A M. SF164  
R. SF66254 W. N/A

**STYLE 9**

**15501** **GM** **15501**

Chamfer

3"

2-5/8"

3-7/8"

7/16" Bolt Hole

5/16"

A. 8034 M. SF064  
R. SF56073 W. 31919

**STYLE 9**

**15025** **15025**

3-1/8"

2-5/8"

3-7/8"

3/8" Bolt Hole

7/16"

A. 8032 M. SF864  
R. SF68064 W. N/A

**STYLE 9**

**15047** **GM** **15047**

Chamfer

3-1/4"

2-5/8"

7/16" Bolt Hole

3/8"

A. N/A M. N/A  
R. N/A W. N/A

**STYLE 9**

**15040** **GM** **15040**

4-7/16"

2-3/4"

5-1/4"

7/16" Bolt Hole

3/8"

A. N/A M. SF926  
R. SF66221 W. N/A

**STYLE 9**

**15330** **330**

3-13/16"

3-7/16"

4-7/8"

3/8" Bolt Hole

5/16"

A. N/A M. SF782  
R. SF56242 W. N/A

**STYLE 9**

A. AP/GOERLICH'S; M. MARWIL; R. ROL; W. WALKER

**DESIGN MAKES THE DIFFERENCE**



# OEM Style Flanges

**15337** **337**

**HONDA**

3-7/8" 1-3/4" 4-3/16" 1/2" Bolt Hole 2-1/2" 5/16"

A. N/A M. N/A  
R. N/A W. N/A

**STYLE 15**

**15050** **15050**

**GM**

3-7/8" 17/32" Groove 2-1/2" 15/32" Bolt Hole 3" 3/8"

A. N/A M. SF15600  
R. SF15600 W. N/A

**STYLE 15**

**15901** **15901**

**GM**

3-7/8" 15/32" Bolt Hole 17/32" Groove 2-1/2" 2-1/2" O2 Sensor Port 3"

A. N/A M. SF15601  
R. SF15601 W. N/A

**STYLE 15**

**15902** **15902**

**GM**

3-7/8" 15/32" Bolt Hole 17/32" Groove 2-1/2" 2-1/2" Angled Pipe O2 Sensor Port 3"

A. N/A M. N/A  
R. N/A W. N/A

**STYLE 15**

**15042** **15042**

**FORD**

4" 13/16" Bolt Hole 2" 5-7/16"

A. N/A M. N/A  
R. N/A W. N/A

**STYLE 16**

**15034** **15034**

**GM**

3-1/2" 3/4" Bolt Hole 2-1/16" 5-3/16"

A. N/A M. SF67102  
R. SF67102 W. N/A

**STYLE 16**

**15041** **15041**

**FORD/GM**

4" 13/16" Bolt Hole 2-1/2" 5-7/16"

A. N/A M. N/A  
R. N/A W. N/A

**STYLE 16**

**15329** **329**

**GM**

2-3/8" 3/8" Bolt Hole 3-5/8" 2-3/8" 5/16"

A. N/A M. N/A  
R. N/A W. N/A

**STYLE 17**

A. AP/GOERLICH'S; M. MARWIL; R. ROL; W. WALKER

**DESIGN MAKES THE DIFFERENCE**

# OEM Style Flanges

**15048** **GM** **15048**

7/16" Bolt Hole  
2"  
3/8"

A. N/A  
R. N/A

M. N/A  
W. N/A

**STYLE 18**

**15039** **GM** **15039**

6"  
7/16" Bolt Hole  
2-1/4"  
3-9/16"  
3/8"

A. N/A  
R. SF66170

M. SF909  
W. 31915

**STYLE 18**

**15046** **GM** **15046**

6-1/2"  
2-1/2"  
3-9/16"  
2-11/16"  
7/16" Bolt Hole  
3/8"

A. N/A  
R. SF56120

M. SF869  
W. N/A

**STYLE 18**

**15052** **GM** **15052**

Chamfer  
4-3/4"  
2-1/4"  
1/2" Bolt Hole  
3-27/32"  
3/8"

A. N/A  
R. SF190601

M. SF190601  
W. N/A

**STYLE 19**

A. AP/GOERLICH'S; M. MARWIL; R. ROL; W. WALKER

**DESIGN MAKES THE DIFFERENCE**

# Universal Style Flanges

**15071** **15071**

STYLE 7

A. N/A  
R. SF56070

M. SF948  
W. 31881

**15507** **15507**

STYLE 7

A. 8036  
R. SF67005

M. SF769  
W. N/A

**15512** **15512**

STYLE 7

A. N/A  
R. SF56178

M. SF004  
W. N/A

**15320** **320**

STYLE 7

A. 9153S  
R. SF67004

M. SF300  
W. N/A

**15321** **321**

STYLE 7

A. 9175  
R. SF56071

M. SF302  
W. N/A

**15485** **15485**

STYLE 7

A. 9179  
R. SF66054

M. SF166  
W. 31946

**15130** **15130**

STYLE 7

A. 9176  
R. SF56072

M. SF881  
W. 31880

**15322** **322**

STYLE 7

A. 9181  
R. SF67006

M. SF006A  
W. N/A

A. AP/GOERLICH'S; M. MARWIL; R. ROL; W. WALKER

**DESIGN MAKES THE DIFFERENCE**

# Universal Style Flanges

**15115** **15115**

5-1/4"  
Chamfer  
9/16" x 15/16" Bolt Hole  
2"  
3-15/16"  
5/16"

A. N/A M. N/A  
R. N/A W. N/A

**STYLE 7**

**15487** **15487**

4-3/4"  
Chamfer  
1/2" x 3/4" Bolt Hole  
2"  
3-1/2"  
5/16"

A. N/A M. N/A  
R. N/A W. N/A

**STYLE 7**

**15498** **15498**

4-1/4"  
2-1/16"  
11/16" x 17/32" Bolt Hole  
3-13/16"

A. N/A M. SF772  
R. SF68049 W. N/A

**STYLE 7**

**15484** **15484**

4-3/4"  
2-1/8"  
1/2" x 3/4" Bolt Hole  
3-1/2"  
5/16"

A. 9159 M. SF306  
R. SF69096 W. 31897

**STYLE 7**

**15488** **15488**

4-3/4"  
Chamfer  
2-1/8"  
1/2" x 3/4" Bolt Hole  
3-1/2"  
5/16"

A. N/A M. SF006  
R. SF56305 W. N/A

**STYLE 7**

**15106** **15106**

4-3/4"  
2-1/8"  
9/16" x 15/16" Bolt Hole  
3-1/2"  
5/16"

A. N/A M. F116B  
R. SF56302 W. N/A

**STYLE 7**

**15492** **15492**

5-1/4"  
Chamfer  
2-1/4"  
7/8" x 1/2" Bolt Hole  
3-15/16"  
5/16"

A. 9155S M. SF007  
R. SF67007 W. 31879

**STYLE 7**

**15323** **323**

4-3/4"  
2-1/4"  
1/2" x 3/4" Bolt Hole  
3-1/2"  
5/16"

A. N/A M. N/A  
R. N/A W. N/A

**STYLE 7**

A. AP/GOERLICH'S; M. MARWIL; R. ROL; W. WALKER

**DESIGN MAKES THE DIFFERENCE**

# Universal Style Flanges

**15132** **15132**

A. N/A M. SF773  
R. SF66195 W. N/A

**15489** **15489**

A. N/A M. N/A  
R. N/A W. N/A

**15131** **15131**

A. N/A M. SF177  
R. SF66044 W. N/A

**15107** **15107**

A. N/A M. F118B  
R. SF56300 W. N/A

**15324** **324**

A. 8035 M. SF255  
R. SF69085 W. 31886

**15496** **15496**

A. 9156S M. SF015  
R. SF67008 W. 31878

**15500** **15500**

A. N/A M. SF008  
R. SF56063 W. N/A

**15325** **325**

A. N/A M. N/A  
R. N/A W. N/A

A. AP/GOERLICH'S; M. MARWIL; R. ROL; W. WALKER

**DESIGN MAKES THE DIFFERENCE**

# Universal Style Flanges

**15490** **15490**

Chamfer  
2-1/2"  
3-3/4"  
5/16"  
1/2" x 3/4" Bolt Hole

A. N/A  
R. SF56115  
M. SF888  
W. N/A

**STYLE 7**

**15134** **15134**

5-1/4"  
2-1/2"  
3-15/16"  
3/8"  
1/2" x 7/8" Bolt Hole

A. N/A  
R. SF66045  
M. SF188  
W. N/A

**STYLE 7**

**15353** **15353**

5"  
2-1/2"  
3-11/16"  
3/8"  
1/2" x 3/4" Bolt Hole

A. N/A  
R. SF66209  
M. SF771  
W. N/A

**STYLE 7**

**15486** **15486**

5-1/4"  
2-1/2"  
3-15/16"  
3/8"  
7/8" x 1/2" Bolt Hole

A. N/A  
R. N/A  
M. N/A  
W. N/A

**STYLE 7**

**15133** **15133**

2-9/16"  
3-7/8"  
5/16"  
1/2" x 13/16" Bolt Hole

A. N/A  
R. SF56301  
M. F120B  
W. N/A

**STYLE 7**

**15506** **15506**

5-1/4"  
3"  
4"  
3/8"  
11/16" x 7/16" Bolt Hole

A. 15506  
R. SF38009-S  
M. SF009  
W. N/A

**STYLE 7**

**15069** **15069**

5-1/4"  
3"  
3-15/16"  
5/16"  
11/16" x 1/2" Bolt Hole

A. N/A  
R. SF56307  
M. SF967  
W. N/A

**STYLE 7**

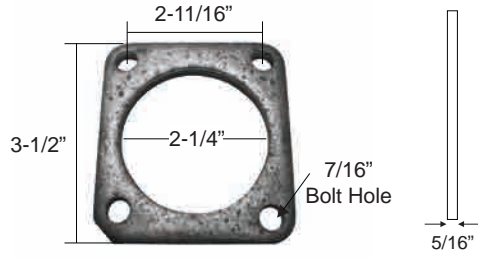
A. AP/GOERLICH'S; M. MARWIL; R. ROL; W. WALKER

**DESIGN MAKES THE DIFFERENCE**

# Universal Style Flanges

15026

15026



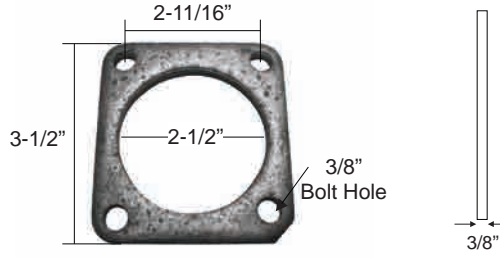
STYLE 8

A. N/A  
R. SF68048

M. SF848  
W. N/A

15024

15024



STYLE 8

A. 9143  
R. SF68043

M. SF043  
W. N/A

A. AP/GOERLICH'S; M. MARWIL; R. ROL; W. WALKER

**DESIGN MAKES  
THE DIFFERENCE**

# Universal Style Flanges

**15036** **15036**

A. N/A M. N/A  
R. N/A W. N/A

**STYLE 9**

**15505** **15505**

A. N/A M. SF133  
R. SF68041 W. N/A

**STYLE 9**

**15326** **326**

A. 9152S M. SF003  
R. SF69083 W. 31877

**STYLE 9**

**15092** **15092**

A. 9177 M. SF322  
R. SF56111 W. N/A

**STYLE 9**

**15111** **15111**

A. N/A M. N/A  
R. N/A W. N/A

**STYLE 9**

**15055** **15055**

A. N/A M. SF002  
R. SF002 W. N/A

**STYLE 9**

**15503** **15503**

A. N/A M. SF239  
R. SF66239 W. N/A

**STYLE 9**

**15509** **15509**

A. 8799 M. SF951  
R. SF56240 W. N/A

**STYLE 9**

A. AP/GOERLICH'S; M. MARWIL; R. ROL; W. WALKER

**DESIGN MAKES THE DIFFERENCE**



# Universal Style Flanges

**15123** **15123**

**STYLE 9**

A. N/A M. N/A  
R. N/A W. N/A

**15389** **15389**

**STYLE 9**

A. 9178 M. SF285  
R. SF56170 W. N/A

**15397** **15397**

**STYLE 9**

A. N/A M. SF211  
R. SF66211 W. N/A

**15112** **15112**

**STYLE 9**

A. 9188 M. F106B  
R. SF56168 W. N/A

**15390** **15390**

**STYLE 9**

A. 9180 M. SF942  
R. SF66193 W. N/A

**15334** **334**

**STYLE 9**

A. 8033 M. SF781  
R. SF56152 W. N/A

**15351** **15351**

**STYLE 9**

A. N/A M. SF090601  
R. SF090601 W. N/A

**15350** **15350**

**STYLE 9**

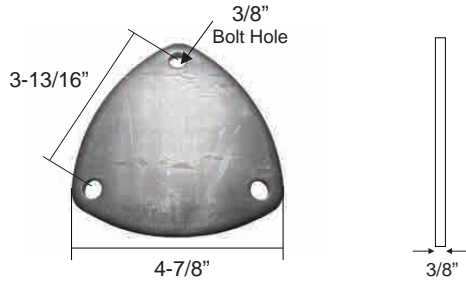
A. N/A M. SF781NH  
R. SF56151 W. N/A

A. AP/GOERLICH'S; M. MARWIL; R. ROL; W. WALKER

**DESIGN MAKES THE DIFFERENCE**

15331

15331



STYLE 9

A. N/A  
R. SF56782NH

M. SF782NH  
W. N/A

A. AP/GOERLICH'S; M. MARWIL; R. ROL; W. WALKER

# Split Flange Application Information

| Make  | Application Information                            | Location             | ni Number | Item Number | See Page |
|-------|----------------------------------------------------|----------------------|-----------|-------------|----------|
| AUDI  | 1988-92 80 2.0L                                    | Converter            | 15120     | 15120       | 123      |
| AUDI  | 1988-91 90 2.3L                                    | Converter            | 15120     | 15120       | 123      |
| AUDI  | 1980-87 4000 1.7L                                  | Converter            | 15120     | 15120       | 123      |
| AUDI  | 1980-87 4000 1.8L                                  | Converter            | 15120     | 15120       | 123      |
| AUDI  | 1980-87 4000 2.2L                                  | Converter            | 15120     | 15120       | 123      |
| AUDI  | 1980-86 5000 2.2L                                  | Converter            | 15120     | 15120       | 123      |
| AUDI  | 1980-86 5000 2.3L                                  | Converter            | 15120     | 15120       | 123      |
| BUICK | 1978-79 Century 196 (3.2L)                         | Converter - Rear     | 15101     | 15101       | 123      |
| BUICK | 1980-85 Century 231 (3.8L)                         | Converter - Rear     | 15102     | 15102       | 124      |
| BUICK | 1978-79 Century 231 (3.8L)                         | Converter - Rear     | 15101     | 15101       | 123      |
| BUICK | 1975-79 Century 231 (3.8L)                         | Converter - Rear     | 15103     | 15103       | 124      |
| BUICK | 1980-85 Century 265 (4.3L)                         | Converter - Rear     | 15102     | 15102       | 124      |
| BUICK | 1980-85 Century 301 (4.9L)                         | Converter - Rear     | 15102     | 15102       | 124      |
| BUICK | 1978-79 Century 301 (4.9L)                         | Converter - Rear     | 15101     | 15101       | 123      |
| BUICK | 1980-85 Century 305 (5.0L)                         | Converter - Rear     | 15102     | 15102       | 124      |
| BUICK | 1978-79 Century 305 (5.0L)                         | Converter - Rear     | 15101     | 15101       | 123      |
| BUICK | 1975-79 Century 305 (5.0L)                         | Converter - Rear     | 15103     | 15103       | 124      |
| BUICK | 1980-85 Century 350 (5.7L)                         | Converter - Rear     | 15102     | 15102       | 124      |
| BUICK | 1978-79 Century 350 (5.7L)                         | Converter - Rear     | 15101     | 15101       | 123      |
| BUICK | 1975-79 Century 350 (5.7L)                         | Converter - Rear     | 15103     | 15103       | 124      |
| BUICK | 1977-80 Century Wagon 350 (5.7L Vin R), 403 (6.6L) | Exhaust Pipe - Front | 15114     | 15114       | 124      |
| BUICK | 1975-79 Custom 231 (3.8L), 305 (5.0L), 350 (5.7L)  | Converter - Rear     | 15103     | 15103       | 124      |
| BUICK | 1981-85 Electra 231 (3.8L)                         | Converter - Rear     | 15102     | 15102       | 124      |
| BUICK | 1981-85 Electra 252 (4.1L)                         | Converter - Rear     | 15102     | 15102       | 124      |
| BUICK | 1980 Electra 301 (4.9L)                            | Converter - Rear     | 15102     | 15102       | 124      |
| BUICK | 1981-85 Electra 307 (5.0L)                         | Converter - Rear     | 15102     | 15102       | 124      |
| BUICK | 1977-79 Electra 350 (5.7L Vin H, R, X)             | Converter - Rear     | 15103     | 15103       | 124      |
| BUICK | 1977-80 Electra 350 (5.7L Vin R)                   | Exhaust Pipe - Front | 15114     | 15114       | 124      |
| BUICK | 1980 Electra 350 (5.7L Vin R, X)                   | Converter - Rear     | 15102     | 15102       | 124      |
| BUICK | 1977-80 Electra 403 (6.6L)                         | Exhaust Pipe - Front | 15114     | 15114       | 124      |
| BUICK | 1977-79 Electra 403 (6.6L)                         | Converter - Rear     | 15103     | 15103       | 124      |
| BUICK | 1981-85 Estate Wagon 231 (3.8L)                    | Converter - Rear     | 15102     | 15102       | 124      |
| BUICK | 1976-79 Estate Wagon 231 (3.8L)                    | Converter - Rear     | 15103     | 15103       | 124      |
| BUICK | 1980 Estate Wagon 301 (4.9L)                       | Converter - Rear     | 15102     | 15102       | 124      |
| BUICK | 1976-79 Estate Wagon 301 (4.9L)                    | Converter - Rear     | 15103     | 15103       | 124      |
| BUICK | 1990-92 Estate Wagon 305 (5.0L)                    | Converter - Rear     | 15103     | 15103       | 124      |
| BUICK | 1976-79 Estate Wagon 305 (5.0L)                    | Converter - Rear     | 15103     | 15103       | 124      |
| BUICK | 1990-92 Estate Wagon 307 (5.0L)                    | Converter - Rear     | 15103     | 15103       | 124      |
| BUICK | 1977-80 Estate Wagon 350 (5.7L Vin R)              | Exhaust Pipe - Front | 15114     | 15114       | 124      |
| BUICK | 1980 Estate Wagon 350 (5.7L Vin R, X)              | Converter - Rear     | 15102     | 15102       | 124      |
| BUICK | 1990-92 Estate Wagon 350 (5.7L)                    | Converter - Rear     | 15103     | 15103       | 124      |
| BUICK | 1977-80 Estate Wagon 403 (6.6L)                    | Exhaust Pipe - Front | 15114     | 15114       | 124      |
| BUICK | 1973-74 Estate Wagon 455 (7.5L)                    | Converter - Rear     | 15102     | 15102       | 124      |
| BUICK | 1981-85 LeSabre 231 (3.8L)                         | Converter - Rear     | 15102     | 15102       | 124      |

# Split Flange Application Information Cont.

| Make     | Application Information                               | Location             | ni Number | Item Number | See Page |
|----------|-------------------------------------------------------|----------------------|-----------|-------------|----------|
| BUICK    | 1978-79 LeSabre 231 (3.8L)                            | Exhaust Pipe - Front | 15114     | 15114       | 124      |
| BUICK    | 1976-79 LeSabre 231 (3.8L)                            | Converter - Rear     | 15103     | 15103       | 124      |
| BUICK    | 1981-85 LeSabre 252 (4.1L)                            | Converter - Rear     | 15102     | 15102       | 124      |
| BUICK    | 1980 LeSabre 301 (4.9L)                               | Converter - Rear     | 15102     | 15102       | 124      |
| BUICK    | 1976-79 LeSabre 301 (4.9L)                            | Converter - Rear     | 15103     | 15103       | 124      |
| BUICK    | 1976-79 LeSabre 305 (5.0L)                            | Converter - Rear     | 15103     | 15103       | 124      |
| BUICK    | 1981-85 LeSabre 307 5.0L)                             | Converter - Rear     | 15102     | 15102       | 124      |
| BUICK    | 1977-80 LeSabre 350 (5.7L Vin R)                      | Exhaust Pipe - Front | 15114     | 15114       | 124      |
| BUICK    | 1975-77 LeSabre 350 (5.7L Vin R)                      | Converter - Rear     | 15103     | 15103       | 123      |
| BUICK    | 1980 LeSabre 350 (5.7L Vin R, X)                      | Converter - Rear     | 15102     | 15102       | 124      |
| BUICK    | 1977-80 LeSabre 403 (6.6L)                            | Exhaust Pipe - Front | 15114     | 15114       | 124      |
| BUICK    | 1975-77 LeSabre 403 (6.6L) 455 (7.5L)                 | Converter - Rear     | 15103     | 15103       | 124      |
| BUICK    | 1981-85 Park Avenue 231 (3.8L)                        | Converter - Rear     | 15102     | 15102       | 124      |
| BUICK    | 1981-85 Park Avenue 252 (4.1L)                        | Converter - Rear     | 15102     | 15102       | 124      |
| BUICK    | 1980 Park Avenue 301 (4.9L)                           | Converter - Rear     | 15102     | 15102       | 124      |
| BUICK    | 1981-85 Park Avenue 307 5.0L)                         | Converter - Rear     | 15102     | 15102       | 124      |
| BUICK    | 1980 Park Avenue 350 (5.7L Vin R, X)                  | Converter - Rear     | 15102     | 15102       | 124      |
| BUICK    | 1978-79 Regal 196 (3.2L)                              | Converter - Rear     | 15101     | 15101       | 123      |
| BUICK    | 1980-85 Regal 231 (3.8L)                              | Converter - Rear     | 15102     | 15102       | 124      |
| BUICK    | 1978-79 Regal 231 (3.8L)                              | Converter - Rear     | 15101     | 15101       | 123      |
| BUICK    | 1975-79 Regal 231 (3.8L)                              | Converter - Rear     | 15103     | 15103       | 124      |
| BUICK    | 1980-85 Regal 252 (4.1)                               | Converter - Rear     | 15102     | 15102       | 124      |
| BUICK    | 1980-85 Regal 265 (4.3L)                              | Converter - Rear     | 15102     | 15102       | 124      |
| BUICK    | 1980-85 Regal 301 (4.9L)                              | Converter - Rear     | 15102     | 15102       | 124      |
| BUICK    | 1978-79 Regal 301 (4.9L)                              | Converter - Rear     | 15101     | 15101       | 123      |
| BUICK    | 1980-85 Regal 305 (5.0L)                              | Converter - Rear     | 15102     | 15102       | 124      |
| BUICK    | 1978-79 Regal 305 (5.0L)                              | Converter - Rear     | 15101     | 15101       | 123      |
| BUICK    | 1975-79 Regal 305 (5.0L)                              | Converter - Rear     | 15103     | 15103       | 124      |
| BUICK    | 1980-85 Regal 350 (5.7L)                              | Converter - Rear     | 15102     | 15102       | 124      |
| BUICK    | 1975-79 Regal 350 (5.7L)                              | Converter - Rear     | 15103     | 15103       | 124      |
| BUICK    | 1975-79 Riviera 231 (3.8L)                            | Converter - Rear     | 15103     | 15103       | 124      |
| BUICK    | 1975-79 Riviera 305 (5.0L)                            | Converter - Rear     | 15103     | 15103       | 124      |
| BUICK    | 1977-80 Riviera 350 (5.7L Vin R)                      | Exhaust Pipe - Front | 15114     | 15114       | 124      |
| BUICK    | 1975-79 Riviera 350 (5.7L)                            | Converter - Rear     | 15103     | 15103       | 124      |
| BUICK    | 1975-79 Riviera 350 (5.7L)                            | Converter - Rear     | 15103     | 15103       | 124      |
| BUICK    | 1977-80 Riviera 403 (6.6L)                            | Exhaust Pipe - Front | 15114     | 15114       | 124      |
| BUICK    | 1975-77 Riviera 403 (6.6L)                            | Converter - Rear     | 15103     | 15103       | 124      |
| BUICK    | 1975-77 Riviera 455 (7.5L)                            | Converter - Rear     | 15103     | 15103       | 124      |
| BUICK    | 1990-92 Roadmaster 305 (5.0L), 307 (5.0L), 350 (5.7L) | Converter - Rear     | 15103     | 15103       | 124      |
| BUICK    | 1965-67 Skylark 225 (3.7L)                            | Converter - Rear     | 15102     | 15102       | 124      |
| BUICK    | 1975-79 Special 231 (3.8L), 305 (5.0L), 350 (5.7L)    | Converter - Rear     | 15103     | 15103       | 124      |
| CADILLAC | 1991-92 Brougham 305 (5.0L), 350 (5.7L)               | Converter - Rear     | 15102     | 15102       | 124      |
| CADILLAC | 1991-92 Brougham 305 (5.0L), 350 (5.7L)               | Converter - Rear     | 15103     | 15103       | 124      |
| CADILLAC | 1977-79 DeVille 425 (6.9L)                            | Converter - Rear     | 15102     | 15102       | 124      |

# Split Flange Application Information Cont.

| Make      | Application Information |                                  | Location         | ni Number | Item Number | See Page |
|-----------|-------------------------|----------------------------------|------------------|-----------|-------------|----------|
| CADILLAC  | 1979                    | Eldorado 350 (5.7L)              | Converter - Rear | 15102     | 15102       | 124      |
| CADILLAC  | 1979                    | Eldorado 350 (5.7L)              | Converter - Rear | 15103     | 15103       | 124      |
| CADILLAC  | 1977-79                 | Fleetwood 425 (6.9L)             | Converter - Rear | 15102     | 15102       | 124      |
| CADILLAC  | 1977-79                 | Fleetwood 425 (6.9L)             | Converter - Rear | 15103     | 15103       | 124      |
| CADILLAC  | 1977-79                 | Seville 350 (5.7L)               | Converter - Rear | 15102     | 15102       | 124      |
| CADILLAC  | 1977-79                 | Seville 350 (5.7L)               | Converter - Rear | 15103     | 15103       | 124      |
| CHEVROLET | 1979-85                 | 50 & 60 Series Trucks 292 (4.8L) | Exhaust Pipe     | 15112     | 15112       | 124      |
| CHEVROLET | 1979-85                 | 50 & 60 Series Trucks 350 (5.7L) | Exhaust Pipe     | 15112     | 15112       | 124      |
| CHEVROLET | 1969-74                 | 50 & 60 Series Trucks 350 (5.7L) | Exhaust Pipe     | 15113     | 15113       | 123      |
| CHEVROLET | 1957-66                 | Bel Air 283 (4.6L) 327 (5.4L)    | Exhaust Pipe     | 15112     | 15112       | 124      |
| CHEVROLET | 1958-62                 | Biscayne 235 (3.9L)              | Exhaust Pipe     | 15113     | 15113       | 123      |
| CHEVROLET | 1955-57                 | Biscayne 265 (4.3L)              | Exhaust Pipe     | 15113     | 15113       | 123      |
| CHEVROLET | 1957-66                 | Biscayne 283 (4.6L)              | Exhaust Pipe     | 15112     | 15112       | 124      |
| CHEVROLET | 1957-64                 | Biscayne 283 (4.6L)              | Exhaust Pipe     | 15113     | 15113       | 123      |
| CHEVROLET | 1962-66                 | Biscayne 327 (5.4L)              | Exhaust Pipe     | 15113     | 15113       | 123      |
| CHEVROLET | 1957-66                 | Biscayne 327 (5.4L)              | Exhaust Pipe     | 15112     | 15112       | 124      |
| CHEVROLET | 1958-61                 | Biscayne 348 (5.7L)              | Exhaust Pipe     | 15113     | 15113       | 123      |
| CHEVROLET | 1961-64                 | Biscayne 409 (6.7L)              | Exhaust Pipe     | 15113     | 15113       | 123      |
| CHEVROLET | 1965-66                 | Biscayne 396 (6.5L)              | Exhaust Pipe     | 15113     | 15113       | 123      |
| CHEVROLET | 1958-78                 | C10 230 (3.8L)                   | Exhaust Pipe     | 15112     | 15112       | 124      |
| CHEVROLET | 1958-78                 | C10 250 (4.1L)                   | Exhaust Pipe     | 15112     | 15112       | 124      |
| CHEVROLET | 1958-78                 | C10 283 (4.6L)                   | Exhaust Pipe     | 15112     | 15112       | 124      |
| CHEVROLET | 1965-69                 | C10 292 (4.8L)                   | Exhaust Pipe     | 15113     | 15113       | 123      |
| CHEVROLET | 1958-78                 | C10 292 (4.8L)                   | Exhaust Pipe     | 15112     | 15112       | 124      |
| CHEVROLET | 1965-69                 | C10 305 (5.0L Vin E)             | Exhaust Pipe     | 15113     | 15113       | 123      |
| CHEVROLET | 1958-78                 | C10 307 (5.4L)                   | Exhaust Pipe     | 15112     | 15112       | 124      |
| CHEVROLET | 1958-78                 | C10 327 (5.4L)                   | Exhaust Pipe     | 15112     | 15112       | 124      |
| CHEVROLET | 1958-78                 | C10 350 (5.7L)                   | Exhaust Pipe     | 15112     | 15112       | 124      |
| CHEVROLET | 1958-78                 | C20 230 (3.8L)                   | Exhaust Pipe     | 15112     | 15112       | 124      |
| CHEVROLET | 1958-78                 | C20 250 (4.1L)                   | Exhaust Pipe     | 15112     | 15112       | 124      |
| CHEVROLET | 1960-69                 | C20 283 (4.6L)                   | Exhaust Pipe     | 15113     | 15113       | 123      |
| CHEVROLET | 1958-78                 | C20 283 (4.6L)                   | Exhaust Pipe     | 15112     | 15112       | 124      |
| CHEVROLET | 1958-78                 | C20 292 (4.8L)                   | Exhaust Pipe     | 15112     | 15112       | 124      |
| CHEVROLET | 1960-69                 | C20 305 (5.0L Vin E)             | Exhaust Pipe     | 15113     | 15113       | 123      |
| CHEVROLET | 1958-78                 | C20 307 (5.4L)                   | Exhaust Pipe     | 15112     | 15112       | 124      |
| CHEVROLET | 1960-69                 | C20 327 (5.4L)                   | Exhaust Pipe     | 15113     | 15113       | 123      |
| CHEVROLET | 1958-78                 | C20 327 (5.4L)                   | Exhaust Pipe     | 15112     | 15112       | 124      |
| CHEVROLET | 1958-78                 | C20 350 (5.7L)                   | Exhaust Pipe     | 15112     | 15112       | 124      |
| CHEVROLET | 1958-78                 | C30 230 (3.8L)                   | Exhaust Pipe     | 15112     | 15112       | 124      |
| CHEVROLET | 1958-78                 | C30 250 (4.1L)                   | Exhaust Pipe     | 15112     | 15112       | 124      |
| CHEVROLET | 1958-78                 | C30 283 (4.6L)                   | Exhaust Pipe     | 15112     | 15112       | 124      |
| CHEVROLET | 1958-78                 | C30 292 (4.8L)                   | Exhaust Pipe     | 15112     | 15112       | 124      |
| CHEVROLET | 1958-78                 | C30 307 (5.4L)                   | Exhaust Pipe     | 15112     | 15112       | 124      |
| CHEVROLET | 1958-78                 | C30 327 (5.4L)                   | Exhaust Pipe     | 15112     | 15112       | 124      |

# Split Flange Application Information Cont.

| Make      | Application Information                                             | Location             | ni Number | Item Number | See Page |
|-----------|---------------------------------------------------------------------|----------------------|-----------|-------------|----------|
| CHEVROLET | 1958-78 C30 350 (5.7L)                                              | Exhaust Pipe         | 15112     | 15112       | 124      |
| CHEVROLET | 1979-89 C5D, C6D, C7D School Bus 350 (5.7L), 366 (5.9L), 427 (7.0L) | Exhaust Pipe         | 15108     | 15108       | 124      |
| CHEVROLET | 1986-89 Camaro 305 (5.0 Vin F, G)                                   | Exhaust Pipe         | 15108     | 15108       | 124      |
| CHEVROLET | 1987-89 Camaro 350 (5.7L)                                           | Exhaust Pipe         | 15108     | 15108       | 124      |
| CHEVROLET | 1975-79 Caprice 250 (4.1L)                                          | Converter - Rear     | 15102     | 15102       | 124      |
| CHEVROLET | 1975-79 Caprice 250 (4.1L)                                          | Converter - Rear     | 15103     | 15103       | 124      |
| CHEVROLET | 1981-92 Caprice 305 (5.0L)                                          | Converter - Rear     | 15102     | 15102       | 124      |
| CHEVROLET | 1981-92 Caprice 305 (5.0L)                                          | Converter - Rear     | 15103     | 15103       | 124      |
| CHEVROLET | 1975-79 Caprice 305 (5.0L)                                          | Converter - Rear     | 15102     | 15102       | 124      |
| CHEVROLET | 1975-79 Caprice 305 (5.0L)                                          | Converter - Rear     | 15103     | 15103       | 124      |
| CHEVROLET | 1986-90 Caprice 307 (5.0L)                                          | Exhaust Pipe - Front | 15114     | 15114       | 124      |
| CHEVROLET | 1966 Caprice 327 (5.4L)                                             | Exhaust Pipe         | 15113     | 15113       | 123      |
| CHEVROLET | 1983-92 Caprice 350 (5.7L)                                          | Converter - Rear     | 15102     | 15102       | 124      |
| CHEVROLET | 1983-92 Caprice 350 (5.7L)                                          | Converter - Rear     | 15103     | 15103       | 124      |
| CHEVROLET | 1975-79 Caprice 350 (5.7L)                                          | Converter - Rear     | 15102     | 15102       | 124      |
| CHEVROLET | 1975-79 Caprice 350 (5.7L)                                          | Converter - Rear     | 15103     | 15103       | 124      |
| CHEVROLET | 1966 Caprice 396 (6.5L)                                             | Exhaust Pipe         | 15113     | 15113       | 123      |
| CHEVROLET | 1975-79 Caprice 400 (6.6L)                                          | Converter - Rear     | 15103     | 15103       | 124      |
| CHEVROLET | 1975-79 Caprice 400 (6.6L)                                          | Converter - Rear     | 15102     | 15102       | 124      |
| CHEVROLET | 1964-67 Chevelle 283 (4.6L)                                         | Exhaust Pipe         | 15112     | 15112       | 124      |
| CHEVROLET | 1964-67 Chevelle 327 (5.4L)                                         | Exhaust Pipe         | 15112     | 15112       | 124      |
| CHEVROLET | 1965-66 Chevelle 327 (5.4L)                                         | Exhaust Pipe         | 15113     | 15113       | 123      |
| CHEVROLET | 1955-62 Corvette 265 (4.3L)                                         | Exhaust Pipe         | 15112     | 15112       | 124      |
| CHEVROLET | 1955-62 Corvette 327 (5.4L)                                         | Exhaust Pipe         | 15112     | 15112       | 124      |
| CHEVROLET | 1986-91 Corvette 350 (5.7L)                                         | Exhaust Pipe         | 15108     | 15108       | 124      |
| CHEVROLET | 1969-74 Corvette 350 (5.7L)                                         | Exhaust Pipe         | 15112     | 15112       | 124      |
| CHEVROLET | 1969-74 Corvette 427 (7.0L)                                         | Exhaust Pipe         | 15112     | 15112       | 124      |
| CHEVROLET | 1978-79 El Camino 200 (3.3L)                                        | Converter - Rear     | 15101     | 15101       | 123      |
| CHEVROLET | 1978-79 El Camino 231 (3.8L)                                        | Converter - Rear     | 15101     | 15101       | 123      |
| CHEVROLET | 1978-79 El Camino 250 (4.1L)                                        | Converter - Rear     | 15101     | 15101       | 123      |
| CHEVROLET | 1978-79 El Camino 267 (4.8L)                                        | Converter - Rear     | 15101     | 15101       | 123      |
| CHEVROLET | 1964-67 El Camino 283 (4.6L)                                        | Exhaust Pipe         | 15112     | 15112       | 124      |
| CHEVROLET | 1964-67 El Camino 283 (4.6L), 327 (5.4L)                            | Exhaust Pipe         | 15112     | 15112       | 124      |
| CHEVROLET | 1964-86 El Camino 283 (5.4L)                                        | Exhaust Pipe         | 15113     | 15113       | 123      |
| CHEVROLET | 1978-79 El Camino 305 (5.0L)                                        | Converter - Rear     | 15101     | 15101       | 123      |
| CHEVROLET | 1959-60 El Camino 348 (5.7L)                                        | Exhaust Pipe         | 15113     | 15113       | 123      |
| CHEVROLET | 1978-79 El Camino 350 (5.7L)                                        | Converter - Rear     | 15101     | 15101       | 123      |
| CHEVROLET | 1964-86 El Camino 396 (6.5L)                                        | Exhaust Pipe         | 15113     | 15113       | 123      |
| CHEVROLET | 1967-90 G10 283 (4.6L)                                              | Exhaust Pipe         | 15113     | 15113       | 123      |
| CHEVROLET | 1967-90 G10 327 (5.4L)                                              | Exhaust Pipe         | 15113     | 15113       | 123      |
| CHEVROLET | 1967-90 G10 350 (5.7L)                                              | Exhaust Pipe         | 15113     | 15113       | 123      |
| CHEVROLET | 1967-70 G20 283 (4.6L)                                              | Exhaust Pipe         | 15113     | 15113       | 123      |
| CHEVROLET | 1967-70 G20 327 (5.4L)                                              | Exhaust Pipe         | 15113     | 15113       | 123      |
| CHEVROLET | 1967-70 G20 350 (5.7L)                                              | Exhaust Pipe         | 15113     | 15113       | 123      |

# Split Flange Application Information Cont.

| Make      | Application Information                       | Location         | ni Number | Item Number | See Page |
|-----------|-----------------------------------------------|------------------|-----------|-------------|----------|
| CHEVROLET | 1975-79 Impala 250 (4.1L)                     | Converter - Rear | 15102     | 15102       | 124      |
| CHEVROLET | 1975-79 Impala 250 (4.1L)                     | Converter - Rear | 15103     | 15103       | 124      |
| CHEVROLET | 1957-66 Impala 283 (4.6L)                     | Exhaust Pipe     | 15112     | 15112       | 124      |
| CHEVROLET | 1959-64 Impala 283 (4.6L)                     | Exhaust Pipe     | 15113     | 15113       | 123      |
| CHEVROLET | 1981-92 Impala 305 (5.0L)                     | Converter - Rear | 15102     | 15102       | 124      |
| CHEVROLET | 1981-92 Impala 305 (5.0L)                     | Converter - Rear | 15103     | 15103       | 124      |
| CHEVROLET | 1975-79 Impala 305 (5.0L)                     | Converter - Rear | 15102     | 15102       | 124      |
| CHEVROLET | 1975-79 Impala 305 (5.0L)                     | Converter - Rear | 15103     | 15103       | 124      |
| CHEVROLET | 1957-66 Impala 327 (5.4L)                     | Exhaust Pipe     | 15112     | 15112       | 124      |
| CHEVROLET | 1962-66 Impala 327 (5.4L)                     | Exhaust Pipe     | 15113     | 15113       | 123      |
| CHEVROLET | 1983-92 Impala 350 (5.7L)                     | Converter - Rear | 15102     | 15102       | 124      |
| CHEVROLET | 1983-92 Impala 350 (5.7L)                     | Converter - Rear | 15103     | 15103       | 124      |
| CHEVROLET | 1975-79 Impala 350 (5.7L)                     | Converter - Rear | 15102     | 15102       | 124      |
| CHEVROLET | 1975-79 Impala 350 (5.7L)                     | Converter - Rear | 15103     | 15103       | 124      |
| CHEVROLET | 1965-66 Impala 396 (6.5L)                     | Exhaust Pipe     | 15113     | 15113       | 123      |
| CHEVROLET | 1975-79 Impala 400 (6.6L)                     | Converter - Rear | 15102     | 15102       | 124      |
| CHEVROLET | 1975-79 Impala 400 (6.6L)                     | Converter - Rear | 15103     | 15103       | 124      |
| CHEVROLET | 1970-72 K10 283 (4.6L) 327 (5.4L), 350 (5.7L) | Exhaust Pipe     | 15113     | 15113       | 123      |
| CHEVROLET | 1969-72 K20 307 (5.0L), 350 (5.7L)            | Exhaust Pipe     | 15113     | 15113       | 123      |
| CHEVROLET | 1978-79 Malibu 200 (3.3L)                     | Converter - Rear | 15101     | 15101       | 123      |
| CHEVROLET | 1978-79 Malibu 231 (3.8L)                     | Converter - Rear | 15101     | 15101       | 123      |
| CHEVROLET | 1978-79 Malibu 250 (4.1L)                     | Converter - Rear | 15101     | 15101       | 123      |
| CHEVROLET | 1975-77 Malibu 250 (4.1L)                     | Converter - Rear | 15102     | 15102       | 124      |
| CHEVROLET | 1975-77 Malibu 250 (4.1L)                     | Converter - Rear | 15103     | 15103       | 124      |
| CHEVROLET | 1978-79 Malibu 267 (4.3L)                     | Converter - Rear | 15101     | 15101       | 123      |
| CHEVROLET | 1975-79 Malibu 267 (4.3L)                     | Converter - Rear | 15102     | 15102       | 124      |
| CHEVROLET | 1975-79 Malibu 267 (4.3L)                     | Converter - Rear | 15103     | 15103       | 124      |
| CHEVROLET | 1964-67 Malibu 283 (4.6L)                     | Exhaust Pipe     | 15112     | 15112       | 124      |
| CHEVROLET | 1978-79 Malibu 305 (5.0L)                     | Converter - Rear | 15101     | 15101       | 123      |
| CHEVROLET | 1975-79 Malibu 305 (5.0L)                     | Converter - Rear | 15102     | 15102       | 124      |
| CHEVROLET | 1975-79 Malibu 305 (5.0L)                     | Converter - Rear | 15103     | 15103       | 124      |
| CHEVROLET | 1964-67 Malibu 327 (5.4L)                     | Exhaust Pipe     | 15112     | 15112       | 124      |
| CHEVROLET | 1978-79 Malibu 350 (5.7L)                     | Converter - Rear | 15101     | 15101       | 123      |
| CHEVROLET | 1975-79 Malibu 350 (5.7L)                     | Converter - Rear | 15102     | 15102       | 124      |
| CHEVROLET | 1975-79 Malibu 350 (5.7L)                     | Converter - Rear | 15103     | 15103       | 124      |
| CHEVROLET | 1975-79 Malibu 400 (6.6L),                    | Converter - Rear | 15102     | 15102       | 124      |
| CHEVROLET | 1975-79 Malibu 400 (6.6L),                    | Converter - Rear | 15103     | 15103       | 124      |
| CHEVROLET | 1978-79 Monte Carlo 200 (3.3L)                | Converter - Rear | 15101     | 15101       | 123      |
| CHEVROLET | 1978-79 Monte Carlo 231 (3.8L)                | Converter - Rear | 15101     | 15101       | 123      |
| CHEVROLET | 1978-79 Monte Carlo 250 (4.1L)                | Converter - Rear | 15101     | 15101       | 123      |
| CHEVROLET | 1975-77 Monte Carlo 250 (4.1L)                | Converter - Rear | 15102     | 15102       | 124      |
| CHEVROLET | 1975-77 Monte Carlo 250 (4.1L)                | Converter - Rear | 15103     | 15103       | 124      |
| CHEVROLET | 1978-79 Monte Carlo 267 (4.3L)                | Converter - Rear | 15101     | 15101       | 123      |
| CHEVROLET | 1975-79 Monte Carlo 267 (4.3L)                | Converter - Rear | 15102     | 15102       | 124      |

# Split Flange Application Information Cont.

| Make      | Application Information                                                | Location         | ni Number | Item Number | See Page |
|-----------|------------------------------------------------------------------------|------------------|-----------|-------------|----------|
| CHEVROLET | 1975-79 Monte Carlo 267 (4.3L)                                         | Converter - Rear | 15103     | 15103       | 124      |
| CHEVROLET | 1978-79 Monte Carlo 305 (5.0L)                                         | Converter - Rear | 15101     | 15101       | 123      |
| CHEVROLET | 1975-79 Monte Carlo 305 (5.0L)                                         | Converter - Rear | 15102     | 15102       | 124      |
| CHEVROLET | 1975-79 Monte Carlo 305 (5.0L)                                         | Converter - Rear | 15103     | 15103       | 124      |
| CHEVROLET | 1978-79 Monte Carlo 350 (5.7L)                                         | Converter - Rear | 15101     | 15101       | 123      |
| CHEVROLET | 1975-79 Monte Carlo 350 (5.7L)                                         | Converter - Rear | 15102     | 15102       | 124      |
| CHEVROLET | 1975-79 Monte Carlo 350 (5.7L)                                         | Converter - Rear | 15103     | 15103       | 124      |
| CHEVROLET | 1975-79 Monte Carlo 400 (6.6L),                                        | Converter - Rear | 15102     | 15102       | 124      |
| CHEVROLET | 1975-79 Monte Carlo 400 (6.6L),                                        | Converter - Rear | 15103     | 15103       | 124      |
| CHEVROLET | 1983-88 S10 Blazer 119 (1.9L), 122 (2.0L), 151 (2.5L), 173 (2.8L) 4WD  | Converter - Rear | 15102     | 15102       | 124      |
| CHEVROLET | 1982-91 S10 Pickup 119 (1.9L), 122 (2.0L), 151 (2.5L), 173 (2.8L), 2WD | Converter - Rear | 15102     | 15102       | 124      |
| CHEVROLET | 1982-88 S10 Pickup 119 (1.9L), 122 (2.0L), 151 (2.5L), 173 (2.8L), 4WD | Converter - Rear | 15102     | 15102       | 124      |
| CHRYSLER  | 1982-90 Lebaron 135 (2.2L)                                             | Exhaust Pipe     | 29193     | 193         | 123      |
| CHRYSLER  | 1986-93 Lebaron 153 (2.5L)                                             | Exhaust Pipe     | 29193     | 193         | 123      |
| CHRYSLER  | 1982-85 Lebaron 181 (3.0L)                                             | Exhaust Pipe     | 29193     | 193         | 123      |
| DODGE     | 1982-83 400 135 (2.2L), 156 2.6L                                       | Exhaust Pipe     | 29193     | 193         | 123      |
| DODGE     | 1986-88 600 135 (2.2L) 1983-88 (2.6L)                                  | Exhaust Pipe     | 29193     | 193         | 123      |
| DODGE     | 1981-86 Aries 135 (2.2L)                                               | Exhaust Pipe     | 29193     | 193         | 123      |
| DODGE     | 1986-89 Aries 153 (2.5L)                                               | Exhaust Pipe     | 29193     | 193         | 123      |
| DODGE     | 1981-85 Aries 156 (2.6L)                                               | Exhaust Pipe     | 29193     | 193         | 123      |
| DODGE     | 1984 Charger 1595cc (1.6L)                                             | Exhaust Pipe     | 29193     | 193         | 123      |
| DODGE     | 1983-87 Charger 135 (2.2L)                                             | Exhaust Pipe     | 29193     | 193         | 123      |
| DODGE     | 1987-90 Daytona 135 (2.2L)                                             | Exhaust Pipe     | 29193     | 193         | 123      |
| DODGE     | 1984 Daytona 135 (2.2L)                                                | Exhaust Pipe     | 29193     | 193         | 123      |
| DODGE     | 1991-93 Daytona 181 (3.0L)                                             | Exhaust Pipe     | 29193     | 193         | 123      |
| DODGE     | 1985 Lancer 135 (2.2L)                                                 | Exhaust Pipe     | 29193     | 193         | 123      |
| DODGE     | 1983-86 Omni 1595cc (1.6L)                                             | Exhaust Pipe     | 29193     | 193         | 123      |
| DODGE     | 1980-83 Omni 105 (1.7L)                                                | Exhaust Pipe     | 29193     | 193         | 123      |
| DODGE     | 1981-90 Omni 135 (2.2L)                                                | Exhaust Pipe     | 29193     | 193         | 123      |
| DODGE     | 1987-94 Shadow 135 (2.2L)                                              | Exhaust Pipe     | 29193     | 193         | 123      |
| DODGE     | 1988-94 Shadow 153 (2.5L)                                              | Exhaust Pipe     | 29193     | 193         | 123      |
| DODGE     | 1992-93 Shadow 181 (3.0L)                                              | Exhaust Pipe     | 29193     | 193         | 123      |
| DODGE     | 1991-91 Spirit 135 (2.2L)                                              | Exhaust Pipe     | 29193     | 193         | 123      |
| DODGE     | 1989-95 Spirit 153 (2.5L)                                              | Exhaust Pipe     | 29193     | 193         | 123      |
| DODGE     | 1989-95 Spirit 181 (3.0L)                                              | Exhaust Pipe     | 29193     | 193         | 123      |
| FORD      | 1984-86 Bronco 302 (5.0L), 351 (5.8L)                                  | Exhaust Pipe     | 15105     | 15105       | 123      |
| FORD      | 1987-91 Country Squire 302 (5.0L)                                      | Exhaust Pipe     | 15105     | 15105       | 123      |
| FORD      | 1984-86 E150 302 (5.0L), 351 (5.8L)                                    | Exhaust Pipe     | 15105     | 15105       | 123      |
| FORD      | 1984-86 E250 302 (5.0L), 351 (5.8L)                                    | Exhaust Pipe     | 15105     | 15105       | 123      |
| FORD      | 1984-86 E350 302 (5.0L), 351 (5.8L)                                    | Exhaust Pipe     | 15105     | 15105       | 123      |
| FORD      | 1982-85 Escort 98 (1.6L)                                               | Converter        | 15109     | 15109       | 123      |
| FORD      | 1982-85 Escort 98 (1.6L)                                               | Converter        | 15195A    | 195A        | 123      |



# Split Flange Application Information Cont.

| Make | Application Information                             | Location     | ni Number | Item Number | See Page |
|------|-----------------------------------------------------|--------------|-----------|-------------|----------|
| FORD | 1985-90 Escort 116 (1.9L)                           | Converter    | 15109     | 15109       | 123      |
| FORD | 1985-90 Escort 116 (1.9L)                           | Converter    | 15195A    | 195A        | 123      |
| FORD | 1984-86 Escort 122 (2.0L) Diesel                    | Converter    | 15109     | 15109       | 123      |
| FORD | 1984-86 Escort 122 (2.0L) Diesel                    | Converter    | 15195A    | 195A        | 123      |
| FORD | 1984-86 F150 302 (5.0L), 351 (5.8L)                 | Exhaust Pipe | 15105     | 15105       | 123      |
| FORD | 1984-86 F250 302 (5.0L), 351 (5.8L)                 | Exhaust Pipe | 15105     | 15105       | 123      |
| FORD | 1984-86 F350 302 (5.0L), 351 (5.8L)                 | Exhaust Pipe | 15105     | 15105       | 123      |
| FORD | 1980 Fairmont 140 (2.3L)                            | Exhaust Pipe | 15105     | 15105       | 123      |
| FORD | 1980 Granada 140 (2.3L)                             | Exhaust Pipe | 15105     | 15105       | 123      |
| FORD | 1983-86 LTD 232 (3.0L)                              | Exhaust Pipe | 15105     | 15105       | 123      |
| FORD | 1980-86 LTD 302 (5.0L)                              | Exhaust Pipe | 15105     | 15105       | 123      |
| FORD | 1980-86 LTD 351 (5.8L)                              | Exhaust Pipe | 15105     | 15105       | 123      |
| FORD | 1983-86 Mustang 140 (2.3L)                          | Exhaust Pipe | 15105     | 15105       | 123      |
| FORD | 1982-91 Mustang 302 (4.0L)                          | Exhaust Pipe | 15105     | 15105       | 123      |
| FORD | 1980 Pinto 140 (2.3L)                               | Exhaust Pipe | 15105     | 15105       | 123      |
| FORD | 1986-90 Taurus 153 (2.5L)                           | Converter    | 15109     | 15109       | 123      |
| FORD | 1986-90 Taurus 153 (2.5L)                           | Converter    | 15195A    | 195A        | 123      |
| FORD | 1986-94 Taurus 182 (3.0L)                           | Converter    | 15104     | 15104       | 123      |
| FORD | 1991-94 Taurus Police Sedan 232 (3.8L)              | Converter    | 15104     | 15104       | 123      |
| FORD | 1989-94 Taurus SHO 182 (3.0L)                       | Converter    | 15104     | 15104       | 123      |
| FORD | 1984-86 Tempo 122 (2.0L) Diesel                     | Converter    | 15109     | 15109       | 123      |
| FORD | 1984-86 Tempo 122 (2.0L) Diesel                     | Converter    | 15195A    | 195A        | 123      |
| FORD | 1984-92 Tempo 140 (2.3L)                            | Converter    | 15109     | 15109       | 123      |
| FORD | 1984-92 Tempo 140 (2.3L)                            | Converter    | 15195A    | 195A        | 123      |
| FORD | 1992-94 Tempo 183 (3.0L)                            | Converter    | 15109     | 15109       | 123      |
| FORD | 1992-94 Tempo 183 (3.0L)                            | Converter    | 15195A    | 195A        | 123      |
| FORD | 1982-91 Thunderbird 302 (5.0L)                      | Exhaust Pipe | 15105     | 15105       | 123      |
| GMC  | 1979-85 50 & 60 Series Trucks 292 (4.8L)            | Exhaust Pipe | 15112     | 15112       | 124      |
| GMC  | 1979-85 50 & 60 Series Trucks 350 (5.7L)            | Exhaust Pipe | 15112     | 15112       | 124      |
| GMC  | 1969-74 50 & 60 Series Trucks 350 (5.7L)            | Exhaust Pipe | 15113     | 15113       | 123      |
| GMC  | 1960-69 C25 283 (4.6L), 305 (5.0L Vin E) 327 (5.4L) | Exhaust Pipe | 15113     | 15113       | 123      |
| GMC  | 1958-78 C1500 230 (3.8L)                            | Exhaust Pipe | 15112     | 15112       | 123      |
| GMC  | 1958-78 C1500 250 (4.1L)                            | Exhaust Pipe | 15112     | 15112       | 124      |
| GMC  | 1958-78 C1500 283 (4.6L)                            | Exhaust Pipe | 15112     | 15112       | 124      |
| GMC  | 1965-69 C1500 292 (4.8L)                            | Exhaust Pipe | 15113     | 15113       | 123      |
| GMC  | 1958-78 C1500 292 (4.8L)                            | Exhaust Pipe | 15112     | 15112       | 124      |
| GMC  | 1965-69 C1500 305 (5.0L Vin E)                      | Exhaust Pipe | 15113     | 15113       | 123      |
| GMC  | 1958-78 C1500 307 (5.4L)                            | Exhaust Pipe | 15112     | 15112       | 124      |
| GMC  | 1958-78 C1500 327 (5.4L)                            | Exhaust Pipe | 15112     | 15112       | 123      |
| GMC  | 1958-78 C1500 350 (5.7L)                            | Exhaust Pipe | 15112     | 15112       | 124      |
| GMC  | 1958-78 C2500 230 (3.8L)                            | Exhaust Pipe | 15112     | 15112       | 124      |
| GMC  | 1958-78 C2500 250 (4.1L)                            | Exhaust Pipe | 15112     | 15112       | 124      |
| GMC  | 1958-78 C2500 283 (4.6L)                            | Exhaust Pipe | 15112     | 15112       | 124      |
| GMC  | 1958-78 C2500 292 (4.8L)                            | Exhaust Pipe | 15112     | 15112       | 124      |

# Split Flange Application Information Cont.

| Make    | Application Information                                                   | Location         | ni Number | Item Number | See Page |
|---------|---------------------------------------------------------------------------|------------------|-----------|-------------|----------|
| GMC     | 1958-78 C2500 307 (5.4L)                                                  | Exhaust Pipe     | 15112     | 15112       | 124      |
| GMC     | 1958-78 C2500 327 (5.4L)                                                  | Exhaust Pipe     | 15112     | 15112       | 124      |
| GMC     | 1958-78 C2500 350 (5.7L)                                                  | Exhaust Pipe     | 15112     | 15112       | 124      |
| GMC     | 1958-78 C3500 230 (3.8L)                                                  | Exhaust Pipe     | 15112     | 15112       | 124      |
| GMC     | 1958-78 C3500 250 (4.1L)                                                  | Exhaust Pipe     | 15112     | 15112       | 124      |
| GMC     | 1958-78 C3500 283 (4.6L)                                                  | Exhaust Pipe     | 15112     | 15112       | 124      |
| GMC     | 1958-78 C3500 292 (4.8L)                                                  | Exhaust Pipe     | 15112     | 15112       | 124      |
| GMC     | 1958-78 C3500 307 (5.4L)                                                  | Exhaust Pipe     | 15112     | 15112       | 124      |
| GMC     | 1958-78 C3500 327 (5.4L)                                                  | Exhaust Pipe     | 15112     | 15112       | 124      |
| GMC     | 1958-78 C3500 350 (5.7L)                                                  | Exhaust Pipe     | 15112     | 15112       | 124      |
| GMC     | 1967-90 G15 283 (4.6L) 327 (5.4L), 350 (5.7L)                             | Exhaust Pipe     | 15113     | 15113       | 123      |
| GMC     | 1967-70 G25 283 (4.6L)                                                    | Exhaust Pipe     | 15113     | 15113       | 123      |
| GMC     | 1967-70 G25 327 (5.4L)                                                    | Exhaust Pipe     | 15113     | 15113       | 123      |
| GMC     | 1967-70 G25 350 (5.7L)                                                    | Exhaust Pipe     | 15113     | 15113       | 123      |
| GMC     | 1970-72 K15 283 (4.6L) 327 (5.4L), 350 (5.7L)                             | Exhaust Pipe     | 15113     | 15113       | 123      |
| GMC     | 1969-72 K25 307 (5.0L), 350 (5.7L)                                        | Exhaust Pipe     | 15113     | 15113       | 123      |
| GMC     | 1983-88 S15 Jimmy 119 (1.9L), 122 (2.0L), 151 (2.5L), 173 (2.8L) 4WD      | Converter - Rear | 15102     | 15102       | 124      |
| GMC     | 1982-91 Sonoma Pickup 119 (1.9L), 122 (2.0L), 151 (2.5L), 173 (2.8L), 2WD | Converter - Rear | 15102     | 15102       | 124      |
| GMC     | 1982-88 Sonoma Pickup 119 (1.9L), 122 (2.0L), 151 (2.5L), 173 (2.8L), 4WD | Converter - Rear | 15102     | 15102       | 124      |
| MERCURY | 1980 Bobcat 140 (2.3L)                                                    | Exhaust Pipe     | 15105     | 15105       | 123      |
| MERCURY | 1980 Capri 140 (2.3L)                                                     | Exhaust Pipe     | 15105     | 15105       | 123      |
| MERCURY | 1982-86 Capri 305 (5.0L)                                                  | Exhaust Pipe     | 15105     | 15105       | 123      |
| MERCURY | 1987-91 Colony Park 302 (5.0L)                                            | Exhaust Pipe     | 15105     | 15105       | 123      |
| MERCURY | 1983-86 Cougar 140 (2.3L)                                                 | Exhaust Pipe     | 15105     | 15105       | 123      |
| MERCURY | 1982-91 Cougar 302 (5.0L)                                                 | Exhaust Pipe     | 15105     | 15105       | 123      |
| MERCURY | 1980-91 Grand Marquis 232 (3.8L)                                          | Exhaust Pipe     | 15105     | 15105       | 123      |
| MERCURY | 1980-85 Grand Marquis 302 (5.0L)                                          | Exhaust Pipe     | 15105     | 15105       | 123      |
| MERCURY | 1980-82 Grand Marquis 351 (5.8L)                                          | Exhaust Pipe     | 15105     | 15105       | 123      |
| MERCURY | 1982-85 Lynx 98 (1.6L)                                                    | Converter        | 15109     | 15109       | 123      |
| MERCURY | 1982-85 Lynx 98 (1.6L)                                                    | Converter        | 15195A    | 195A        | 123      |
| MERCURY | 1985-90 Lynx 116 (1.9L)                                                   | Converter        | 15109     | 15109       | 123      |
| MERCURY | 1985-90 Lynx 116 (1.9L)                                                   | Converter        | 15195A    | 195A        | 123      |
| MERCURY | 1984-86 Lynx 122 (2.0L)                                                   | Converter        | 15109     | 15109       | 123      |
| MERCURY | 1984-86 Lynx 122 (2.0L)                                                   | Converter        | 15195A    | 195A        | 123      |
| MERCURY | 1980 Monarch 140 (2.3L)                                                   | Exhaust Pipe     | 15105     | 15105       | 123      |
| MERCURY | 1986-90 Sable 153 (2.5L)                                                  | Converter        | 15109     | 15109       | 123      |
| MERCURY | 1986-90 Sable 153 (2.5L)                                                  | Converter        | 15195A    | 195A        | 123      |
| MERCURY | 1986-94 Sable 182 (3.0L)                                                  | Converter        | 15104     | 15104       | 123      |
| MERCURY | 1991-94 Sable Police Sedan 232 (3.8L)                                     | Converter        | 15104     | 15104       | 123      |
| MERCURY | 1984-86 Topaz 122 (2.0L) Diesel                                           | Converter        | 15109     | 15109       | 123      |
| MERCURY | 1984-86 Topaz 122 (2.0L) Diesel                                           | Converter        | 15195A    | 195A        | 123      |
| MERCURY | 1984-92 Topaz 140 (2.3L)                                                  | Converter        | 15109     | 15109       | 123      |

# Split Flange Application Information Cont.

| Make       | Application Information                 | Location             | ni Number | Item Number | See Page |
|------------|-----------------------------------------|----------------------|-----------|-------------|----------|
| MERCURY    | 1984-92 Topaz 140 (2.3L)                | Converter            | 15195A    | 195A        | 123      |
| MERCURY    | 1992-94 Topaz 183 (3.0L)                | Converter            | 15109     | 15109       | 123      |
| MERCURY    | 1992-94 Topaz 183 (3.0L)                | Converter            | 15195A    | 195A        | 123      |
| MERCURY    | 1980-80 Zephyr (2.3L)                   | Exhaust Pipe         | 15105     | 15105       | 123      |
| OLDSMOBILE | 1977-79 Custom Cruiser 231 (3.8L)       | Converter - Rear     | 15103     | 15103       | 124      |
| OLDSMOBILE | 1980-90 Custom Cruiser 307 (5.0L)       | Converter - Rear     | 15102     | 15102       | 124      |
| OLDSMOBILE | 1980-85 Custom Cruiser 307 (5.0L)       | Exhaust Pipe - Front | 15114     | 15114       | 124      |
| OLDSMOBILE | 1975-79 Custom Cruiser 350 (5.7L Vin R) | Exhaust Pipe - Front | 15114     | 15114       | 124      |
| OLDSMOBILE | 1977-79 Custom Cruiser 350 (5.7L)       | Converter - Rear     | 15103     | 15103       | 124      |
| OLDSMOBILE | 1975-77 Custom Cruiser 350 (5.7L)       | Converter - Rear     | 15103     | 15103       | 124      |
| OLDSMOBILE | 1980-85 Custom Cruiser 403 (6.6L)       | Exhaust Pipe - Front | 15114     | 15114       | 124      |
| OLDSMOBILE | 1977-79 Custom Cruiser 403 (6.6L)       | Converter - Rear     | 15103     | 15103       | 124      |
| OLDSMOBILE | 1975-77 Custom Cruiser 403 (6.6L)       | Converter - Rear     | 15103     | 15103       | 124      |
| OLDSMOBILE | 1980-85 Custom Cruiser 455 (7.5L)       | Exhaust Pipe - Front | 15114     | 15114       | 124      |
| OLDSMOBILE | 1975-77 Custom Cruiser 455 (7.5L)       | Converter - Rear     | 15103     | 15103       | 124      |
| OLDSMOBILE | 1980-87 Cutlass 231 (3.8L)              | Converter - Rear     | 15102     | 15102       | 124      |
| OLDSMOBILE | 1978-79 Cutlass 231 (3.8L)              | Converter - Rear     | 15101     | 15101       | 123      |
| OLDSMOBILE | 1975-77 Cutlass 250 (4.1L)              | Converter - Rear     | 15103     | 15103       | 124      |
| OLDSMOBILE | 1980-82 Cutlass 260 (4.3L)              | Converter - Rear     | 15102     | 15102       | 124      |
| OLDSMOBILE | 1980-82 Cutlass 260 (4.3L)              | Exhaust Pipe - Front | 15114     | 15114       | 124      |
| OLDSMOBILE | 1978-79 Cutlass 260 (4.3L)              | Converter - Rear     | 15101     | 15101       | 123      |
| OLDSMOBILE | 1975-77 Cutlass 260 (4.3L)              | Converter - Rear     | 15103     | 15103       | 124      |
| OLDSMOBILE | 1975-77 Cutlass 260 (4.3L)              | Exhaust Pipe - Front | 15114     | 15114       | 124      |
| OLDSMOBILE | 1978-79 Cutlass 305 (5.0L)              | Converter - Rear     | 15101     | 15101       | 123      |
| OLDSMOBILE | 1978-79 Cutlass 305 (5.0L)              | Converter - Rear     | 15103     | 15103       | 124      |
| OLDSMOBILE | 1975-79 Cutlass 305 (5.0L)              | Exhaust Pipe - Front | 15114     | 15114       | 124      |
| OLDSMOBILE | 1981-88 Cutlass 307 (5.0L)              | Converter - Rear     | 15102     | 15102       | 124      |
| OLDSMOBILE | 1980-82 Cutlass 350 (5.7L)              | Exhaust Pipe - Front | 15114     | 15114       | 124      |
| OLDSMOBILE | 1978-79 Cutlass 350 (5.7L)              | Converter - Rear     | 15101     | 15101       | 123      |
| OLDSMOBILE | 1978-79 Cutlass 350 (5.7L)              | Converter - Rear     | 15103     | 15103       | 124      |
| OLDSMOBILE | 1975-79 Cutlass 350 (5.7L)              | Exhaust Pipe - Front | 15114     | 15114       | 124      |
| OLDSMOBILE | 1975-77 Cutlass 350 (5.7L)              | Converter - Rear     | 15103     | 15103       | 124      |
| OLDSMOBILE | 1975-79 Cutlass 403 (6.6L)              | Exhaust Pipe - Front | 15114     | 15114       | 124      |
| OLDSMOBILE | 1975-79 Cutlass 455 (7.5L)              | Exhaust Pipe - Front | 15114     | 15114       | 124      |
| OLDSMOBILE | 1975-77 Cutlass 455 (7.5L)              | Converter - Rear     | 15103     | 15103       | 124      |
| OLDSMOBILE | 1980-85 Delta 88 231 (3.8L)             | Converter - Rear     | 15102     | 15102       | 124      |
| OLDSMOBILE | 1977-79 Delta 88 231 (3.8L)             | Converter - Rear     | 15103     | 15103       | 124      |
| OLDSMOBILE | 1980-82 Delta 88 260 (4.3L)             | Converter - Rear     | 15102     | 15102       | 124      |
| OLDSMOBILE | 1977 Delta 88 260 (4.3L)                | Exhaust Pipe - Front | 15114     | 15114       | 124      |
| OLDSMOBILE | 1977 Delta 88 260 (4.3L)                | Converter - Rear     | 15103     | 15103       | 124      |
| OLDSMOBILE | 1980-85 Delta 88 307 (5.0L)             | Exhaust Pipe - Front | 15114     | 15114       | 124      |
| OLDSMOBILE | 1979-79 Delta 88 307 (5.0L)             | Converter - Rear     | 15103     | 15103       | 124      |
| OLDSMOBILE | 1980-80 Delta 88 350 (5.7L)             | Converter - Rear     | 15102     | 15102       | 124      |
| OLDSMOBILE | 1977-79 Delta 88 350 (5.7L)             | Converter - Rear     | 15103     | 15103       | 124      |

# Split Flange Application Information Cont.

| Make       | Application Information                   | Location             | ni Number | Item Number | See Page |
|------------|-------------------------------------------|----------------------|-----------|-------------|----------|
| OLDSMOBILE | 1975-79 Delta 88 350 (5.7L Vin R)         | Exhaust Pipe - Front | 15114     | 15114       | 124      |
| OLDSMOBILE | 1975-76 Delta 88 350 (5.7L)               | Converter - Rear     | 15103     | 15103       | 124      |
| OLDSMOBILE | 1977-79 Delta 88 403 (6.6L)               | Converter - Rear     | 15103     | 15103       | 124      |
| OLDSMOBILE | 1975-79 Delta 88 403 (6.6L)               | Exhaust Pipe - Front | 15114     | 15114       | 124      |
| OLDSMOBILE | 1975-76 Delta 88 403 (6.6L)               | Converter - Rear     | 15103     | 15103       | 124      |
| OLDSMOBILE | 1975-79 Delta 88 455 (7.5L)               | Exhaust Pipe - Front | 15114     | 15114       | 124      |
| OLDSMOBILE | 1975-76 Delta 88 455 (7.5L)               | Converter - Rear     | 15103     | 15103       | 124      |
| OLDSMOBILE | 1977-79 Regency 231 (3.8L)                | Converter - Rear     | 15103     | 15103       | 124      |
| OLDSMOBILE | 1981-83 Regency 252 (4.1L)                | Converter - Rear     | 15102     | 15102       | 124      |
| OLDSMOBILE | 1980-85 Regency 307 (5.0L)                | Exhaust Pipe - Front | 15114     | 15114       | 124      |
| OLDSMOBILE | 1980-85 Regency 307 (5.0L)                | Converter - Rear     | 15102     | 15102       | 124      |
| OLDSMOBILE | 1980 Regency 350 (5.7L)                   | Converter - Rear     | 15102     | 15102       | 124      |
| OLDSMOBILE | 1977-79 Regency 350 (5.7L)                | Converter - Rear     | 15103     | 15103       | 124      |
| OLDSMOBILE | 1975-76 Regency 350 (5.7L)                | Converter - Rear     | 15103     | 15103       | 124      |
| OLDSMOBILE | 1977-79 Regency 403 (6.6L)                | Converter - Rear     | 15103     | 15103       | 124      |
| OLDSMOBILE | 1975-76 Regency 403 (6.6L)                | Converter - Rear     | 15103     | 15103       | 124      |
| OLDSMOBILE | 1975-76 Regency 455 (7.5L)                | Converter - Rear     | 15103     | 15103       | 124      |
| OLDSMOBILE | 1980-85 Royale 231 (3.8L)                 | Converter - Rear     | 15102     | 15102       | 124      |
| OLDSMOBILE | 1977-79 Royale 231 (3.8L)                 | Converter - Rear     | 15103     | 15103       | 124      |
| OLDSMOBILE | 1977 Royale 260 (4.3L)                    | Exhaust Pipe - Front | 15114     | 15114       | 124      |
| OLDSMOBILE | 1977 Royale 260 (4.3L)                    | Converter - Rear     | 15103     | 15103       | 124      |
| OLDSMOBILE | 1975-79 Royale 350 (5.7L Vin R)           | Exhaust Pipe - Front | 15114     | 15114       | 124      |
| OLDSMOBILE | 1977-79 Royale 350 (5.7L)                 | Converter - Rear     | 15103     | 15103       | 124      |
| OLDSMOBILE | 1977-79 Royale 403 (6.6L)                 | Converter - Rear     | 15103     | 15103       | 124      |
| OLDSMOBILE | 1975-79 Royale 403 (6.6L)                 | Exhaust Pipe - Front | 15114     | 15114       | 124      |
| OLDSMOBILE | 1975-79 Royale 455 (7.5L)                 | Exhaust Pipe - Front | 15114     | 15114       | 124      |
| OLDSMOBILE | 1981-84 Toronado 252 (4.1L)               | Converter - Rear     | 15102     | 15102       | 124      |
| OLDSMOBILE | 1981-85 Toronado 307 (5.0L), 350 (5.7L)   | Converter - Rear     | 15102     | 15102       | 124      |
| PONTIAC    | 1975-79 Bonneville 301 (4.9L)             | Converter - Rear     | 15103     | 15103       | 124      |
| PONTIAC    | 1980-81 Bonneville 231 (3.8L)             | Converter - Rear     | 15102     | 15102       | 124      |
| PONTIAC    | 1980-81 Bonneville 265 (4.3L)             | Converter - Rear     | 15102     | 15102       | 124      |
| PONTIAC    | 1980-81 Bonneville 301 (4.9L)             | Converter - Rear     | 15102     | 15102       | 124      |
| PONTIAC    | 1981 Bonneville 307 (5.0L)                | Converter - Rear     | 15102     | 15102       | 124      |
| PONTIAC    | 1981 Bonneville 307 (5.0L),               | Exhaust Pipe - Front | 15114     | 15114       | 124      |
| PONTIAC    | 1980-81 Bonneville 350 (5.7L Vin R, X)    | Converter - Rear     | 15102     | 15102       | 124      |
| PONTIAC    | 1977-80 Bonneville 350 (5.7L Vin R)       | Exhaust Pipe - Front | 15114     | 15114       | 124      |
| PONTIAC    | 1975-79 Bonneville 350 (5.7L Vin P, R, X) | Converter - Rear     | 15103     | 15103       | 124      |
| PONTIAC    | 1975-79 Bonneville 400 (6.6L)             | Converter - Rear     | 15103     | 15103       | 124      |
| PONTIAC    | 1977-80 Bonneville 403 (6.6L)             | Exhaust Pipe - Front | 15114     | 15114       | 124      |
| PONTIAC    | 1975-79 Bonneville 403 (6.6L)             | Converter - Rear     | 15103     | 15103       | 124      |
| PONTIAC    | 1975-79 Bonneville 455 (7.5L)             | Converter - Rear     | 15103     | 15103       | 124      |
| PONTIAC    | 1980-81 Catalina 231 (3.8L)               | Converter - Rear     | 15102     | 15102       | 124      |
| PONTIAC    | 1975-79 Catalina 231 (3.8L)               | Converter - Rear     | 15103     | 15103       | 124      |
| PONTIAC    | 1980-81 Catalina 265 (4.3L)               | Converter - Rear     | 15102     | 15102       | 124      |

# Split Flange Application Information Cont.

| Make    | Application Information                                         | Location             | ni Number | Item Number | See Page |
|---------|-----------------------------------------------------------------|----------------------|-----------|-------------|----------|
| PONTIAC | 1980-81 Catalina 301 (4.9L)                                     | Converter - Rear     | 15102     | 15102       | 124      |
| PONTIAC | 1975-79 Catalina 301 (4.9L)                                     | Converter - Rear     | 15103     | 15103       | 124      |
| PONTIAC | 1981 Catalina 307 (5.0L)                                        | Converter - Rear     | 15102     | 15102       | 124      |
| PONTIAC | 1981 Catalina 307 (5.0L)                                        | Exhaust Pipe - Front | 15114     | 15114       | 124      |
| PONTIAC | 1980-81 Catalina 350 (5.7L Vin R, X)                            | Converter - Rear     | 15102     | 15102       | 124      |
| PONTIAC | 1977-80 Catalina 350 (5.7L VIN R)                               | Exhaust Pipe - Front | 15114     | 15114       | 124      |
| PONTIAC | 1975-79 Catalina 350 (5.7L Vin P, R, X)                         | Converter - Rear     | 15103     | 15103       | 124      |
| PONTIAC | 1975-79 Catalina 400 (6.6L)                                     | Converter - Rear     | 15103     | 15103       | 124      |
| PONTIAC | 1977-80 Catalina 403 (6.6L)                                     | Exhaust Pipe - Front | 15114     | 15114       | 124      |
| PONTIAC | 1975-79 Catalina 403 (6.6L)                                     | Converter - Rear     | 15103     | 15103       | 124      |
| PONTIAC | 1975-79 Catalina 455 (7.5L)                                     | Converter - Rear     | 15103     | 15103       | 124      |
| PONTIAC | 1980-81 Firebird 231 (3.8L), 265 (4.3L), 301 (4.9L), 305 (5.0L) | Converter - Rear     | 15102     | 15102       | 124      |
| PONTIAC | 1982-87 Grand Prix 231 (3.8L)                                   | Converter - Rear     | 15102     | 15102       | 124      |
| PONTIAC | 1980-81 Grand Prix 231 (3.8L)                                   | Converter - Rear     | 15102     | 15102       | 124      |
| PONTIAC | 1978-79 Grand Prix 231 (3.8L)                                   | Converter - Rear     | 15101     | 15101       | 123      |
| PONTIAC | 1980-81 Grand Prix 265 (4.3L)                                   | Converter - Rear     | 15102     | 15102       | 124      |
| PONTIAC | 1980-81 Grand Prix 301 (4.9L)                                   | Converter - Rear     | 15102     | 15102       | 124      |
| PONTIAC | 1978-79 Grand Prix 301 (4.9L)                                   | Converter - Rear     | 15101     | 15101       | 123      |
| PONTIAC | 1975-77 Grand Prix 301 (4.9L)                                   | Converter - Rear     | 15103     | 15103       | 124      |
| PONTIAC | 1980-81 Grand Prix 305 (5.0L)                                   | Converter - Rear     | 15102     | 15102       | 124      |
| PONTIAC | 1978-79 Grand Prix 305 (5.0L)                                   | Converter - Rear     | 15101     | 15101       | 123      |
| PONTIAC | 1978-79 Grand Prix 350 (5.7L)                                   | Converter - Rear     | 15101     | 15101       | 123      |
| PONTIAC | 1975-77 Grand Prix 350 (5.7L Vin P, R)                          | Converter - Rear     | 15103     | 15103       | 124      |
| PONTIAC | 1975-77 Grand Prix 400 (6.6L)                                   | Converter - Rear     | 15103     | 15103       | 124      |
| PONTIAC | 1975-77 Grand Prix 403 (6.6L)                                   | Converter - Rear     | 15103     | 15103       | 124      |
| PONTIAC | 1975-77 Grand Prix 455 (7.5L)                                   | Converter - Rear     | 15103     | 15103       | 124      |
| PONTIAC | 1975-79 Grand Ville 301 (4.9L)                                  | Converter - Rear     | 15103     | 15103       | 124      |
| PONTIAC | 1975-79 Grand Ville 350 (5.7L Vin P, R, X)                      | Converter - Rear     | 15103     | 15103       | 124      |
| PONTIAC | 1975-79 Grand Ville 400 (6.6L)                                  | Converter - Rear     | 15103     | 15103       | 124      |
| PONTIAC | 1975-79 Grand Ville 403 (6.6L)                                  | Converter - Rear     | 15103     | 15103       | 124      |
| PONTIAC | 1975-79 Grand Ville 455 (7.5L)                                  | Converter - Rear     | 15103     | 15103       | 124      |
| PONTIAC | 1980-81 LeMans 231 (3.8L)                                       | Converter - Rear     | 15102     | 15102       | 124      |
| PONTIAC | 1978-79 LeMans 231 (3.8L)                                       | Converter - Rear     | 15101     | 15101       | 123      |
| PONTIAC | 1977 LeMans 231 (3.8L)                                          | Converter - Rear     | 15103     | 15103       | 124      |
| PONTIAC | 1977 LeMans 250 (4.1L)                                          | Converter - Rear     | 15103     | 15103       | 124      |
| PONTIAC | 1977 LeMans 260 (4.3L)                                          | Converter - Rear     | 15103     | 15103       | 124      |
| PONTIAC | 1976 LeMans 260 (4.3L)                                          | Exhaust Pipe - Front | 15114     | 15114       | 124      |
| PONTIAC | 1980-81 LeMans 265 (4.3L)                                       | Converter - Rear     | 15102     | 15102       | 124      |
| PONTIAC | 1980-81 LeMans 301 (4.9L)                                       | Converter - Rear     | 15102     | 15102       | 124      |
| PONTIAC | 1978-79 LeMans 301 (4.9L)                                       | Converter - Rear     | 15101     | 15101       | 123      |
| PONTIAC | 1977 LeMans 301 (4.9L)                                          | Converter - Rear     | 15103     | 15103       | 124      |
| PONTIAC | 1980-81 LeMans 305 (5.0L)                                       | Converter - Rear     | 15102     | 15102       | 124      |
| PONTIAC | 1978-79 LeMans 305 (5.0L)                                       | Converter - Rear     | 15101     | 15101       | 123      |
| PONTIAC | 1977 LeMans 305 (5.0L)                                          | Converter - Rear     | 15103     | 15103       | 124      |

# Split Flange Application Information Cont.

| Make       | Application Information                 | Location             | ni Number | Item Number | See Page |
|------------|-----------------------------------------|----------------------|-----------|-------------|----------|
| PONTIAC    | 1978-79 LeMans 350 (5.7L)               | Converter - Rear     | 15101     | 15101       | 123      |
| PONTIAC    | 1977 LeMans 350 (5.7L Vin P, R)         | Converter - Rear     | 15103     | 15103       | 124      |
| PONTIAC    | 1977 LeMans 350 (5.7L VIN R)            | Exhaust Pipe - Front | 15114     | 15114       | 124      |
| PONTIAC    | 1977 LeMans 400 (6.6L)                  | Converter - Rear     | 15103     | 15103       | 124      |
| PONTIAC    | 1977 LeMans 403 (6.6L)                  | Converter - Rear     | 15103     | 15103       | 124      |
| PONTIAC    | 1977 LeMans 403 (6.6L)                  | Exhaust Pipe - Front | 15114     | 15114       | 124      |
| PONTIAC    | 1977 LeMans 455 (7.5L)                  | Converter - Rear     | 15103     | 15103       | 124      |
| PONTIAC    | 1983 Parisienne 229 (3.8L)              | Converter - Rear     | 15103     | 15103       | 124      |
| PONTIAC    | 1984-84 Parisienne 231 (3.8L)           | Converter - Rear     | 15102     | 15102       | 124      |
| PONTIAC    | 1985-86 Parisienne 305 (5.0L)           | Converter - Rear     | 15103     | 15103       | 124      |
| PONTIAC    | 1986-89 Parisienne 307 (5.0L)           | Exhaust Pipe - Front | 15114     | 15114       | 124      |
| PONTIAC    | 1986-86 Parisienne 307 (5.0L)           | Converter - Rear     | 15102     | 15102       | 124      |
| PONTIAC    | 1975-79 Royale 231 (3.8L)               | Converter - Rear     | 15103     | 15103       | 124      |
| PONTIAC    | 1987-89 Safari 231 (3.8L)               | Converter - Rear     | 15102     | 15102       | 124      |
| PONTIAC    | 1986-89 Safari 307 (5.0L)               | Exhaust Pipe - Front | 15114     | 15114       | 124      |
| PONTIAC    | 1981 Safari 307 (5.0L)                  | Converter - Rear     | 15102     | 15102       | 124      |
| PONTIAC    | 1981 Safari 307 (5.0L)                  | Exhaust Pipe - Front | 15114     | 15114       | 124      |
| PONTIAC    | 1977-80 Safari 350 (5.7L VIN R)         | Exhaust Pipe - Front | 15114     | 15114       | 124      |
| PONTIAC    | 1977-80 Safari 403 (6.6L)               | Exhaust Pipe - Front | 15114     | 15114       | 124      |
| VOLKSWAGON | 1985-89 Cabriolet 1.8L                  | Converter            | 15120     | 15120       | 124      |
| VOLKSWAGON | 1990-91 Corrado 1.8L                    | Converter            | 15121     | 15121       | 124      |
| VOLKSWAGON | 1980-84 Dasher 1.6L, 1.7L, 1.8L         | Converter            | 15120     | 15120       | 124      |
| VOLKSWAGON | 1987-92 Fox 1.8L                        | Converter            | 15120     | 15120       | 124      |
| VOLKSWAGON | 1988-92 Golf GT, GTI, 1.8L              | Converter            | 15121     | 15121       | 124      |
| VOLKSWAGON | 1990-92 Golf GT, GTI, 2.0L              | Converter            | 15121     | 15121       | 124      |
| VOLKSWAGON | 1986-92 Jetta 1.6L                      | Converter            | 15121     | 15121       | 124      |
| VOLKSWAGON | 1990-92 Jetta 2.0L                      | Converter            | 15121     | 15121       | 124      |
| VOLKSWAGON | 1990-93 Passat 2.0L                     | Converter            | 15121     | 15121       | 124      |
| VOLKSWAGON | 1982-85 Quantum 1.7L, 1.8L 2.2L         | Converter            | 15120     | 15120       | 124      |
| VOLKSWAGON | 1976-84 Rabbit 1.5L, 1.6L, 1.7L, 1.8L   | Converter            | 15120     | 15120       | 124      |
| VOLKSWAGON | 1975-88 Scirocco 1.5L, 1.6L, 1.7L, 1.8L | Converter            | 15120     | 15120       | 124      |
| VOLVO      | 1982-84 244 2.4L                        | Exhaust Pipe         | 15113     | 15113       | 124      |
| VOLVO      | 1982-84 245 2.4L                        | Exhaust Pipe         | 15113     | 15113       | 124      |
| VOLVO      | 1980-81 262 2.8L                        | Exhaust Pipe         | 15113     | 15113       | 124      |
| VOLVO      | 1980-81 264 2.4L                        | Exhaust Pipe         | 15113     | 15113       | 124      |
| VOLVO      | 1980-82 264 2.8L                        | Exhaust Pipe         | 15113     | 15113       | 124      |
| VOLVO      | 1980 265 2.4L                           | Exhaust Pipe         | 15113     | 15113       | 124      |
| VOLVO      | 1980-81 265 2.8L                        | Exhaust Pipe         | 15113     | 15113       | 124      |

# Split Flange Dimensions

## OEM STYLE SPLIT FLANGES

| Style   | ni Number | Item Number | Port Hole Size | Bolt Hole Center | Bolt Hole      | Thickness | See Page |
|---------|-----------|-------------|----------------|------------------|----------------|-----------|----------|
| Style 1 | 15113     | 15113       | 2-1/8"         | 2-11/16"         | 13/32"         |           | 123, 124 |
| Style 2 | 15121     | 15121       | 2-7/16"        | 3-1/4"           | 17/32"         |           | 124      |
| Style 2 | 15114     | 15114       | 2-11/16"       | 3-1/8"           | 1/2"           |           | 124      |
| Style 3 | 15101     | 15101       | 2-1/8"         | 3-5/8"           | 13/32" x 9/16" |           | 123      |
| Style 3 | 15102     | 15102       | 2-7/16"        | 3-5/8"           | 7/16" x 9/16"  |           | 124      |
| Style 3 | 15103     | 15103       | 2-11/16"       | 3-3/4"           | 13/32"         |           | 124      |
| Style 3 | 15108     | 15108       | 3-3/16"        | 4-1/4"           | 1/2"           |           | 124      |
| Style 5 | 15105     | 15105       | 2-1/8"         | 3-3/4"           | 7/8" X 1/2"    |           | 123      |
| Style 5 | 29193     | 193         | 2-1/4"         | 4-1/8"           | 1/2"           |           | 123      |
| Style 5 | 15109     | 15109       | 2-1/4"         | 3-7/8"           | 11/16"         |           | 123      |
| Style 5 | 15195A    | 195A        | 2-1/4"         | 4"               | 5/8"           |           | 123      |
| Style 5 | 15104     | 15104       | 2-9/16"        | 3-7/8"           | 11/16"         |           | 123      |
| Style 9 | 15120     | 15120       | 1-7/8"         | 2-19/32"         | 13/32"         | 5/16"     | 123, 124 |

15120



15108



## UNIVERSAL STYLE SPLIT FLANGES

| Style   | ni Number | Item Number | Port Hole Size | Bolt Hole Center | Bolt Hole      | Thickness | See Page |
|---------|-----------|-------------|----------------|------------------|----------------|-----------|----------|
| Style 7 | 15106     | 15106       | 2-1/8"         | 3-1/2"           | 9/16" x 15/16" | 5/16"     | 125      |
| Style 7 | 15107     | 15107       | 2-3/8"         | 3-7/8"           | 1/2" x 7/8"    | 5/16"     | 125      |
| Style 7 | 15133     | 15133       | 2-9/16"        | 3-7/8"           | 1/2" x 13/16"  | 5/16"     | 125      |
| Style 9 | 15112     | 15112       | 2-5/8"         | 2-7/8"           | 7/16"          | 5/16"     | 125      |

15112



15107



**DESIGN MAKES THE DIFFERENCE**

# Split Flanges OEM Style

**15120** **15120**

A. 9187 M. F105B  
R. SF56165 W. 36134

**29193** **193**

A. N/A M. F110B  
R. SF36098 W. N/A

CHRYSLER/DODGE

**15105** **15105**

A. N/A M. F107B  
R. SF36101 W. N/A

**15109** **15109**

A. 9170 M. F74B  
R. SF36077 W. N/A

FORD

**15195A** **195A**

A. N/A M. F109B  
R. SF36094 W. N/A

**15104** **15104**

A. N/A M. F103B  
R. SF36087 W. N/A

FORD

**15113** **15113**

A. N/A M. F138B  
R. SF36128 W. N/A

**15101** **15101**

A. 9171 M. F100B  
R. SF36084 W. 36132

GM

A. AP/GOERLICH'S; M. MARWIL; R. ROL; W. WALKER

**DESIGN MAKES THE DIFFERENCE**



# Split Flanges OEM Style

|              |              |
|--------------|--------------|
| <b>15102</b> | <b>15102</b> |
|              |              |
| A. 9172      | M. F101B     |
| R. SF36085   | W. 36131     |

|              |              |
|--------------|--------------|
| <b>15112</b> | <b>15112</b> |
|              |              |
| A. 9188      | M. F106B     |
| R. SF56168   | W. N/A       |

|              |              |
|--------------|--------------|
| <b>15103</b> | <b>15103</b> |
|              |              |
| A. N/A       | M. F102B     |
| R. SF36086   | W. 36130     |

|              |              |
|--------------|--------------|
| <b>15114</b> | <b>15114</b> |
|              |              |
| A. N/A       | M. F140B     |
| R. SF36097   | W. N/A       |

|              |              |
|--------------|--------------|
| <b>15108</b> | <b>15108</b> |
|              |              |
| A. N/A       | M. F108B     |
| R. SF36102   | W. N/A       |

|              |              |
|--------------|--------------|
| <b>15120</b> | <b>15120</b> |
|              |              |
| A. 9187      | M. F105B     |
| R. SF56165   | W. 36194     |

|              |              |
|--------------|--------------|
| <b>15121</b> | <b>15121</b> |
|              |              |
| A. 9191      | M. F104B     |
| R. SF36090   | W. 36133     |

|              |              |
|--------------|--------------|
| <b>15113</b> | <b>15113</b> |
|              |              |
| A. N/A       | M. F138B     |
| R. SF36128   | W. N/A       |

A. AP/GOERLICH'S; M. MARWIL; R. ROL; W. WALKER

**DESIGN MAKES THE DIFFERENCE**

# Split Universal Flanges

**15106** **15106**

A. N/A M. F116B  
 R. SF56302 W. N/A

**15107** **15107**

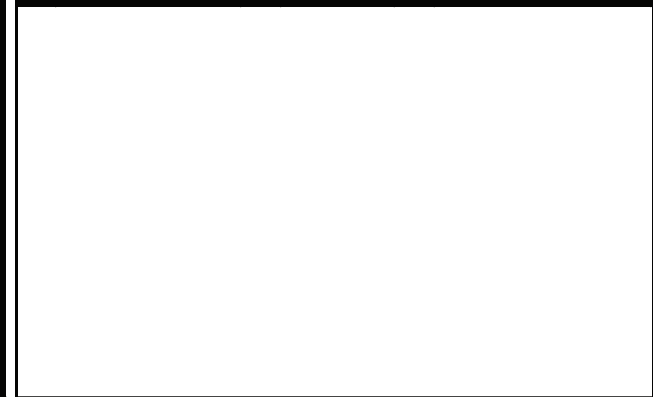
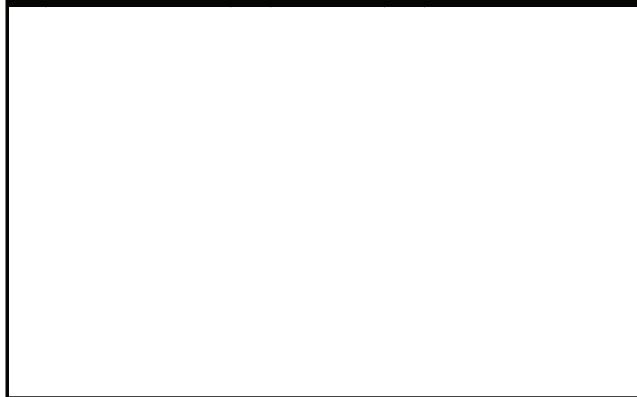
A. N/A M. F118B  
 R. SF56300 W. N/A

**15133** **15133**

A. N/A M. F120B  
 R. SF56301 W. N/A

**15112** **15112**

A. 9188 M. F106B  
 R. SF56168 W. N/A



A. AP/GOERLICH'S; M. MARWIL; R. ROL; W. WALKER

**DESIGN MAKES THE DIFFERENCE**

# Specialty Split Flanges

29149

149

Laminated Flange  
**Fits 2-1/4" to 2-1/2" Pipes**  
 Replace Flange W/O Removing Pipes



UNIVERSAL

A. 8800 M. F35B  
 R. ES463 W. 31871

29169

169

Laminated Flange  
**Fits 1-3/4" to 2" Pipes**  
 Replace Flange W/O Removing Pipes



UNIVERSAL

A. 9145 M. F45B  
 R. ES462 W. 31884

29177

177

Laminated Flange  
**Fits 2" to 2-1/4" Pipes**  
 Replace Flange W/O Removing Pipes



UNIVERSAL

A. N/A M. N/A  
 R. N/A W. N/A

29333

333

Split Flange  
**With 2-1/2" Exhaust Pipe**  
 1975-87 GM Cars & Trucks



GM

A. 4679 M. SSSF15  
 R. ES464 W. 31902

29339

339

3 Piece Split Flange - Universal  
**Fits 1-3/4" to 1-7/8" Pipes**



UNIVERSAL

A. N/A M. N/A  
 R. N/A W. N/A

29340

340

3 Piece Split Flange - Universal  
**Fits 2" to 2-1/8" Pipes**



UNIVERSAL

A. N/A M. N/A  
 R. N/A W. N/A

A. AP/GOERLICH'S; M. MARWIL; R. ROL; W. WALKER

**DESIGN MAKES THE DIFFERENCE**

# Specialty Split Flanges

29341

341

3 Piece Split Flange  
Fits 2-1/4" Pipes



A. N/A

M. N/A

R. N/A

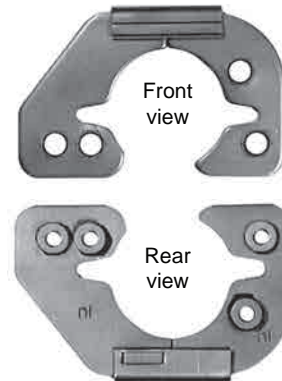
W. N/A

UNIVERSAL

29198

198

Sliding Converter Flange  
Fits 2", 2-1/4" & 2-1/2" Pipes  
1977-85 GM Mid & Full Size Models



A. 4675

M. F66B

R. ES466

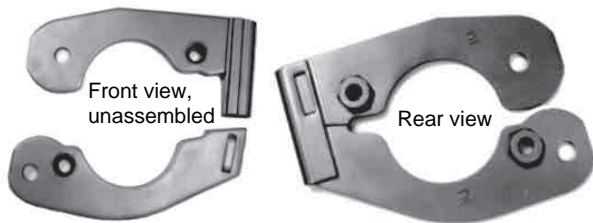
W. 31901

GM

29199

199

Sliding Converter Flange  
1982-89 GM Mid & Full Size Models  
At Converter W/Offset Transmission



A. 4676

M. F80B

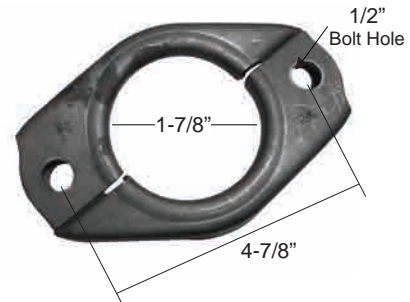
R. ES467

W. 31925

GM

29192

192



A. N/A

M. N/A

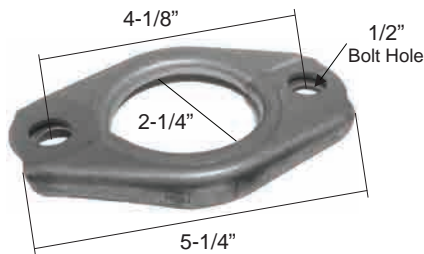
R. N/A

W. N/A

CHRYSLER

29193

193



A. N/A

M. F110B

R. SF36098

W. N/A

CHRYSLER

15195A

195A



A. N/A

M. F109B

R. SF36094

W. N/A

FORD

A. AP/GOERLICH'S; M. MARWIL; R. ROL; W. WALKER

**DESIGN MAKES  
THE DIFFERENCE**

# Mounting Kits

**36190**

**190**

## Exhaust Pipe - 3rd Pipe

1978 - 83 Horizon, Omni, TC3 98 (1.6L), 105 (1.7L)



A. N/A  
R. ES507

M. TH1090K  
W. N/A

CHRYSLER

**36191**

**191**

## Tail Pipe - Front

1983 - 85 600, Caravelle, Daytona, E-Class, Lancer, Laser, (2.2L Exc. Turbo)  
1981-85 Aries, 400, Lebaron, Reliant, Town & Country 135 (2.2L) 156 (2.6L)



A. N/A  
R. ES508

M. TPH984K  
W. 35917

CHRYSLER

**36290**

**36290**

## Bracket Kit

1978 - 83 Horizon, Omni 105 (1.7L)



A. 8596  
R. BR650

M. N/A  
W. N/A

CHRYSLER

**36291**

**36291**

## Bracket Kit

1981-90 Horizon, Omni 98 (1.6L), 135 (2.2L)  
1984 - 86 Caravelle, Lancer, Laser, 135 (2.2L) 153  
1981-85 Aries, 400, 600, E-Class, Lebaron, New Yorker, Reliant 135 (2.2L) 153 (2.6L)



A. 8218  
R. BR722

M. TPH377B  
W. N/A

CHRYSLER

**46241**

**241**

## Mounting Kit - Tail Pipe

1989 - 91 100 2.3L  
1984 - 85 4000 1.8L  
1982 - 83 2.0L (Diesel); 1980 - 87 2.2L



A. 8993  
R. ES453

M. FEH459  
W. 35732

AUDI

A. AP/GOERLICH'S; M. MARWIL; R. ROL; W. WALKER

**DESIGN MAKES THE DIFFERENCE**

# Ball & Flare Clamps

49331

331

**Ball & Flare Clamp Fits 2" Pipe  
Converter**



GM

A. N/A

M. F91B

R. ES475

W. 36378

49336

336

**Ball & Flare Clamp 2-1/4"  
Converter**



GM

A. N/A

M. F98B

R. ES476

W. N/A

A. AP/GOERLICH'S; M. MARWIL; R. ROL; W. WALKER

**DESIGN MAKES  
THE DIFFERENCE**

# Flange Mounting Kits



**DESIGN MAKES  
THE DIFFERENCE**

This page has been intentionally left blank.



# Flange Mounting Kits Application Information

## ACURA

### INTEGRA

| Year    | Engine            | Location                         | Qty.  | ni Number | Item Number | See Page |
|---------|-------------------|----------------------------------|-------|-----------|-------------|----------|
| 1988-89 | 1.6L 1590cc D16A1 | Exhaust Pipe, Rear, 5DR, LS & RS | 1 Req | 18317     | 317         | 167      |
| 1988-89 | 1.6L 1590cc D16A1 | Muffler Inlet, Rear 5DR, LS & RS | 1 Req | 18317     | 317         | 167      |

### LEGEND

|         |                   |                        |       |       |     |     |
|---------|-------------------|------------------------|-------|-------|-----|-----|
| 1991-95 | 3.2L 3206cc C32A1 | Inline Converter Inlet | 1 Req | 18317 | 317 | 167 |
|---------|-------------------|------------------------|-------|-------|-----|-----|

## BUICK

### CENTURY

| Year    | Engine              | Location            | Qty.  | ni Number | Item Number | See Page |
|---------|---------------------|---------------------|-------|-----------|-------------|----------|
| 1982-92 | 2.5L 151ci VIN 2, R | Converter Inlet     | 1 Req | 18310     | 310         | 169      |
| 1982-92 | 2.8L 173ci VIN W, X | Converter Inlet     | 1 Req | 18310     | 310         | 169      |
| 1982-85 | 3.0L 181ci VIN E    | Exhaust Pipe, Front | 1 Req | 18310     | 310         | 169      |
| 1994-96 | 3.1L 189ci VIN M    | Converter Inlet     | 1 Req | 18310     | 310         | 169      |
| 1989-93 | 3.3L 204ci VIN N    | Converter Inlet     | 1 Req | 18310     | 310         | 169      |
| 1986-88 | 3.8L 231ci VIN 3    | Converter Inlet     | 1 Req | 18310     | 310         | 169      |

### ELECTRA

| Year    | Engine                    | Location            | Qty.  | ni Number | Item Number | See Page |
|---------|---------------------------|---------------------|-------|-----------|-------------|----------|
| 1986-87 | 3.8L 231ci VIN 3, B       | Exhaust Pipe, Front | 1 Req | 18314     | 18314       | 169      |
| 1985    | 3.8L 231ci VIN 3, B       | Exhaust Pipe, Front | 1 Req | 18310     | 310         | 169      |
| 1988-90 | 3.8L 231ci VIN C          | Exhaust Pipe, Front | 1 Req | 18313     | 313         | 169      |
| 1980-84 | 4.1L 252ci Vin 4          | Exhaust Pipe, Front | 1 Req | 18311     | 311         | 169      |
| 1980-84 | 4.3L 260ci VIN T          | Exhaust Pipe, Front | 1 Req | 18310     | 310         | 169      |
| 1986-87 | 5.0L 307ci VIN Y          | Exhaust Pipe, Front | 1 Req | 18314     | 18314       | 169      |
| 1985    | 5.0L 307ci VIN Y          | Exhaust Pipe, Front | 1 Req | 18310     | 310         | 169      |
| 1981-85 | 5.7L 350ci VIN N (Diesel) | Exhaust Pipe, Front | 1 Req | 18314     | 18314       | 169      |

### ESTATE WAGON

| Year    | Engine                    | Location            | Qty.  | ni Number | Item Number | See Page |
|---------|---------------------------|---------------------|-------|-----------|-------------|----------|
| 1987-89 | 5.0L 307ci VIN Y          | Exhaust Pipe, Front | 1 Req | 18314     | 18314       | 169      |
| 1981-83 | 5.0L 307ci VIN Y          | Exhaust Pipe, Front | 1 Req | 18310     | 310         | 169      |
| 1981-83 | 5.7L 350ci VIN N (Diesel) | Exhaust Pipe, Front | 1 Req | 18314     | 18314       | 169      |

### LESABRE

| Year    | Engine                    | Location            | Qty.  | ni Number | Item Number | See Page |
|---------|---------------------------|---------------------|-------|-----------|-------------|----------|
| 1986    | 3.0L 181ci VIN L          | Exhaust Pipe, Front | 1 Req | 18313     | 313         | 169      |
| 1986-88 | 3.8L 231ci VIN 3          | Exhaust Pipe, Front | 1 Req | 18310     | 310         | 169      |
| 1988-85 | 3.8L 231ci VIN C, L       | Exhaust Pipe, Front | 1 Req | 18313     | 313         | 169      |
| 1981-84 | 4.1L 252 CID Vin 4        | Exhaust Pipe, Front | 1 Req | 18311     | 311         | 169      |
| 1982-85 | 5.0L 307ci VIN Y          | Exhaust Pipe, Front | 1 Req | 18314     | 18314       | 169      |
| 1982-85 | 5.7L 350ci VIN N (Diesel) | Exhaust Pipe, Front | 1 Req | 18314     | 18314       | 169      |

**DESIGN MAKES  
THE DIFFERENCE**

# Flange Mounting Kits Application Information Cont.

## BUICK

### LESABRE ESTATE WAGON

| Year    | Engine           | Location            | Qty.  | ni Number | Item Number | See Page |
|---------|------------------|---------------------|-------|-----------|-------------|----------|
| 1986-90 | 5.0L 307ci VIN Y | Exhaust Pipe, Front | 1 Req | 18314     | 18314       | 169      |

### REATTA

| Year    | Engine              | Location            | Qty.  | ni Number | Item Number | See Page |
|---------|---------------------|---------------------|-------|-----------|-------------|----------|
| 1988-91 | 3.8L 231ci VIN C, L | Exhaust Pipe, Front | 1 Req | 18313     | 313         | 169      |

### REGAL

| Year    | Engine              | Location            | Qty.  | ni Number | Item Number | See Page |
|---------|---------------------|---------------------|-------|-----------|-------------|----------|
| 1988-89 | 2.8L 173ci VIN W    | Exhaust Pipe, Front | 1 Req | 18310     | 310         | 169      |
| 1989-96 | 3.1L 189ci VIN M, T | Exhaust Pipe, Front | 1 Req | 18310     | 310         | 169      |
| 1978-79 | 3.2L 196ci VIN C    | Exhaust Pipe, Front | 1 Req | 18310     | 310         | 169      |
| 1990-96 | 3.8L 231ci VIN K, L | Exhaust Pipe, Front | 1 Req | 18310     | 310         | 169      |
| 1982-84 | 4.1L 252ci VIN 4    | Exhaust Pipe, Front | 1 Req | 18314     | 18314       | 169      |
| 1986-87 | 5.0L 307ci VIN Y    | Exhaust Pipe, Front | 1 Req | 18314     | 18314       | 169      |
| 1985    | 5.7L 350ci VIN N    | Exhaust Pipe, Front | 1 Req | 18314     | 18314       | 169      |
| 1981-83 | 5.7L 350ci VIN N    | Exhaust Pipe, Front | 1 Req | 18314     | 18314       | 169      |

### RIVIERA

| Year    | Engine              | Location            | Qty.  | ni Number | Item Number | See Page |
|---------|---------------------|---------------------|-------|-----------|-------------|----------|
| 1987    | 3.8L 231ci VIN 3    | Exhaust Pipe, Front | 1 Req | 18310     | 310         | 169      |
| 1988-93 | 3.8L 231ci VIN C, L | Exhaust Pipe, Front | 1 Req | 18313     | 313         | 169      |
| 1986-86 | 3.8L 231ci VIN B    | Exhaust Pipe, Front | 1 Req | 18310     | 310         | 169      |
| 1980-85 | 5.0L 307ci VIN Y    | Exhaust Pipe, Front | 1 Req | 18314     | 18314       | 169      |
| 1980-85 | 5.7L 350ci VIN N    | Exhaust Pipe, Front | 1 Req | 18314     | 18314       | 169      |

### SKYHAWK

| Year    | Engine                       | Location            | Qty.  | ni Number | Item Number | See Page |
|---------|------------------------------|---------------------|-------|-----------|-------------|----------|
| 1982-86 | 1.8L 122ci VIN 0             | Exhaust Pipe, Front | 1 Req | 18313     | 313         | 169      |
| 1982-86 | 1.8L 122ci VIN G, J          | Exhaust Pipe, Front | 1 Req | 18313     | 313         | 169      |
| 1983-89 | 2.1L 122ci VIN 1, B, K, M, P | Exhaust Pipe, Front | 1 Req | 18313     | 313         | 169      |

### SKYLARK

| Year    | Engine                 | Location            | Qty.  | ni Number | Item Number | See Page |
|---------|------------------------|---------------------|-------|-----------|-------------|----------|
| 1992-95 | 2.3L 138ci VIN 3, D    | Exhaust Pipe, Front | 1 Req | 18313     | 313         | 169      |
| 1982-91 | 2.5L 151ci VIN R, U, X | Exhaust Pipe, Front | 1 Req | 18310     | 310         | 169      |
| 1982-84 | 2.8L 173ci VIN Z       | Exhaust Pipe, Front | 1 Req | 18310     | 310         | 169      |
| 1988    | 3.0L 181ci VIN L       | Exhaust Pipe, Front | 1 Req | 18313     | 313         | 168      |
| 1986-87 | 3.0L 181ci VIN L       | Exhaust Pipe, Front | 1 Req | 18310     | 310         | 169      |
| 1990-93 | 3.3L 204ci VIN N       | Exhaust Pipe, Front | 1 Req | 18310     | 310         | 169      |
| 1989    | 3.3L 204ci VIN N       | Exhaust Pipe, Front | 1 Req | 18313     | 313         | 169      |
| 1976-78 | 3.8L 231ci VIN A, C    | Converter Inlet     | 1 Req | 18310     | 310         | 169      |
| 1977-78 | 5.0L 305ci VIN U       | Converter Inlet     | 1 Req | 18310     | 310         | 169      |

# Flange Mounting Kits Application Information Cont.

## BUICK

### SOMERSET

| Year    | Engine           | Location            | Qty.  | ni Number | Item Number | See Page |
|---------|------------------|---------------------|-------|-----------|-------------|----------|
| 1985-87 | 2.5L 151ci VIN U | Exhaust Pipe, Front | 1 Req | 18310     | 310         | 169      |
| 1985-87 | 3.0L 181ci VIN L | Exhaust Pipe, Front | 1 Req | 18310     | 310         | 169      |

## CADILLAC

### ALLANTE

| Year    | Engine           | Location            | Qty.  | ni Number | Item Number | See Page |
|---------|------------------|---------------------|-------|-----------|-------------|----------|
| 1989-92 | 4.5L 273ci VIN 8 | Exhaust Pipe, Front | 1 Req | 18313     | 313         | 169      |
| 1989-92 | 4.6L 281ci VIN 9 | Exhaust Pipe, Front | 1 Req | 18313     | 313         | 169      |

### CIMARRON

| Year    | Engine           | Location            | Qty.  | ni Number | Item Number | See Page |
|---------|------------------|---------------------|-------|-----------|-------------|----------|
| 1982    | 1.8L 112ci VIN G | Exhaust Pipe, Front | 1 Req | 18313     | 313         | 169      |
| 1983-86 | 2.1L 122ci VIN P | Exhaust Pipe, Front | 1 Req | 18313     | 313         | 169      |
| 1985-88 | 2.8L 173ci VIN W | Exhaust Pipe, Front | 1 Req | 18313     | 313         | 169      |

### COMMERCIAL CHASSIS

| Year    | Engine           | Location            | Qty.  | ni Number | Item Number | See Page |
|---------|------------------|---------------------|-------|-----------|-------------|----------|
| 1985-87 | 4.1L 250ci VIN 8 | Exhaust Pipe, Front | 1 Req | 18313     | 313         | 169      |
| 1988-90 | 4.5L 273ci VIN 3 | Exhaust Pipe, Front | 1 Req | 18313     | 313         | 169      |
| 1991-93 | 4.9L 300ci VIN B | Exhaust Pipe, Front | 1 Req | 18313     | 313         | 169      |

### DEVILLE

| Year    | Engine              | Location            | Qty.  | ni Number | Item Number | See Page |
|---------|---------------------|---------------------|-------|-----------|-------------|----------|
| 1986-87 | 4.1L 250ci VIN 8    | Exhaust Pipe, Front | 1 Req | 18313     | 313         | 169      |
| 1988-90 | 4.5L 273cc VIN 3, 5 | Exhaust Pipe, Front | 1 Req | 18313     | 313         | 169      |

### ELDORADO

| Year    | Engine           | Location                               | Qty.  | ni Number | Item Number | See Page |
|---------|------------------|----------------------------------------|-------|-----------|-------------|----------|
| 1979-85 | 5.7L 350ci VIN N | Exhaust Pipe, Front, w/Standard Flange | 1 Req | 18307     | 307         | 168      |
| 1979-85 | 5.7L 350ci VIN N | Exhaust Pipe, Front                    | 1 Req | 18314     | 18314       | 169      |
| 1979-85 | 6.1L 368cc VIN 9 | Exhaust Pipe, Front                    | 1 Req | 18311     | 311         | 169      |

### FLEETWOOD

| Year    | Engine              | Location                               | Qty.  | ni Number | Item Number | See Page |
|---------|---------------------|----------------------------------------|-------|-----------|-------------|----------|
| 1979-85 | 5.7L 350ci VIN N    | Exhaust Pipe, Front, Left/Right        | 1 Req | 18311     | 311         | 169      |
| 1979-85 | 5.7L 350ci VIN N    | Exhaust Pipe, Front, w/Standard Flange | 1 Req | 18307     | 307         | 168      |
| 1985-87 | 4.1L 250ci VIN 8    | Exhaust Pipe, Front                    | 1 Req | 18313     | 313         | 169      |
| 1988-89 | 4.5L 273ci VIN 3, 5 | Exhaust Pipe, Front                    | 1 Req | 18313     | 313         | 169      |

### SEVILLE

| Year    | Engine           | Location                               | Qty.  | ni Number | Item Number | See Page |
|---------|------------------|----------------------------------------|-------|-----------|-------------|----------|
| 1979-85 | 5.7L 350ci VIN N | Exhaust Pipe, Front, Left/Right        | 1 Req | 18311     | 311         | 169      |
| 1979-85 | 5.7L 350ci VIN N | Exhaust Pipe, Front, w/Standard Flange | 1 Req | 18307     | 307         | 168      |

# Flange Mounting Kits Application Information Cont.

## CHEVROLET

### BERETTA

| Year    | Engine              | Location            | Qty.  | ni Number | Item Number | See Page |
|---------|---------------------|---------------------|-------|-----------|-------------|----------|
| 1987-88 | 2.1L 122ci VIN 1    | Exhaust Pipe, Front | 1 Req | 18313     | 313         | 169      |
| 1990-96 | 2.2L 134ci VIN G, 4 | Exhaust Pipe, Front | 1 Req | 18313     | 313         | 169      |
| 1990-94 | 2.3L 140ci VIN 2    | Exhaust Pipe, Front | 1 Req | 18313     | 313         | 169      |
| 1987-88 | 2.8L 173ci VIN W    | Exhaust Pipe, Front | 1 Req | 18313     | 313         | 169      |
| 1990-96 | 3.1L 189ci VIN M, T | Converter Inlet     | 1 Req | 18313     | 313         | 169      |

### BLAZER

| Year    | Engine           | Location                 | Qty.  | ni Number | Item Number | See Page |
|---------|------------------|--------------------------|-------|-----------|-------------|----------|
| 1995    | 4.3L 262ci VIN W | Exhaust Pipe, Left/Right | 1 Req | 18309     | 318         | 168      |
| 1992-94 | 5.0L 305ci VIN H | Exhaust Pipe, Right Side | 1 Req | 18309     | 318         | 168      |
| 1987    | 5.0L 305ci VIN H | Exhaust Pipe, Right Side | 1 Req | 18319     | 319         | 169      |

### C10 PICKUP

| Year    | Engine              | Location                                  | Qty.  | ni Number | Item Number | See Page |
|---------|---------------------|-------------------------------------------|-------|-----------|-------------|----------|
| 1985-86 | 4.3L 262ci VIN N    | Exhaust Pipe, Left Side                   | 1 Req | 18319     | 319         | 169      |
| 1985-86 | 4.3L 262ci VIN N    | Exhaust Pipe, Right Side                  | 1 Req | 18534     | 18534       | 170      |
| 1986    | 5.0L 305ci VIN F, H | Exhaust Pipe, Left Side                   | 1 Req | 18309     | 318         | 168      |
| 1986    | 5.0L 305ci VIN F, H | Exhaust Pipe, Left Side (w/GASKET 13841)  | 1 Req | 18318     | 15318       | 169      |
| 1986    | 5.0L 305ci VIN F, H | Exhaust Pipe, Right Side                  | 1 Req | 18319     | 319         | 169      |
| 1985    | 5.0L 305ci VIN F, H | Exhaust Pipe, Left/Right                  | 1 Req | 18309     | 318         | 168      |
| 1985    | 5.0L 305ci VIN F, H | Exhaust Pipe, Left/Right (w/GASKET 13841) | 1 Req | 18318     | 15318       | 169      |
| 1983-84 | 5.7L 350ci VIN L    | Exhaust Pipe, Right Side                  | 1 Req | 18319     | 319         | 169      |
| 1985-86 | 5.7L 350ci VIN M    | Exhaust Pipe, Right Side                  | 1 Req | 18309     | 318         | 168      |

### C10 SUBURBAN

| Year    | Engine              | Location                                  | Qty.  | ni Number | Item Number | See Page |
|---------|---------------------|-------------------------------------------|-------|-----------|-------------|----------|
| 1986    | 5.0L 305ci VIN F, H | Exhaust Pipe, Left Side                   | 1 Req | 18309     | 318         | 168      |
| 1986    | 5.0L 305ci VIN F, H | Exhaust Pipe, Left Side (w/GASKET 13841)  | 1 Req | 18318     | 15318       | 169      |
| 1986    | 5.0L 305ci VIN F, H | Exhaust Pipe, Right Side                  | 1 Req | 18319     | 319         | 169      |
| 1985    | 5.0L 305ci VIN F, H | Exhaust Pipe, Left/Right                  | 1 Req | 18309     | 318         | 168      |
| 1985    | 5.0L 305ci VIN F, H | Exhaust Pipe, Left/Right (w/GASKET 13841) | 1 Req | 18318     | 15318       | 169      |
| 1983-84 | 5.7L 350ci VIN L    | Exhaust Pipe, Left Side                   | 1 Req | 18319     | 319         | 169      |
| 1985-86 | 5.7L 350ci VIN M    | Exhaust Pipe, Left Side                   | 1 Req | 18305     | 18305       | 168      |
| 1985-86 | 5.7L 350ci VIN M    | Exhaust Pipe, Right Side                  | 1 Req | 18534     | 18534       | 170      |

### C1500 PICKUP

| Year    | Engine              | Location                                  | Qty.  | ni Number | Item Number | See Page |
|---------|---------------------|-------------------------------------------|-------|-----------|-------------|----------|
| 1988-95 | 4.3L 262ci VIN Z    | Exhaust Pipe, Left/Right                  | 1 Req | 18309     | 318         | 168      |
| 1988-95 | 4.3L 262ci VIN Z    | Exhaust Pipe, Left/Right (w/GASKET 13841) | 1 Req | 18318     | 15318       | 169      |
| 1988-95 | 5.0L 305ci VIN H    | Exhaust Pipe, Left/Right                  | 1 Req | 18309     | 318         | 168      |
| 1988-95 | 5.0L 305ci VIN H    | Exhaust Pipe, Left/Right (w/GASKET 13841) | 1 Req | 18318     | 15318       | 169      |
| 1988-95 | 5.7L 350ci VIN K    | Exhaust Pipe, Left/Right                  | 1 Req | 18309     | 318         | 168      |
| 1988-93 | 6.2L 379ci VIN C, J | Exhaust Pipe, Right Side (w/GASKET 13841) | 1 Req | 18318     | 15318       | 169      |
| 1990-93 | 7.4L 454ci VIN N    | Exhaust Pipe, Left/Right                  | 1 Req | 18309     | 318         | 168      |

# Flange Mounting Kits Application Information Cont.

## CHEVROLET

### C1500 SUBURBAN

| Year    | Engine           | Location                 | Qty.  | ni Number | Item Number | See Page |
|---------|------------------|--------------------------|-------|-----------|-------------|----------|
| 1992-95 | 5.7L 350ci VIN K | Exhaust Pipe, Left/Right | 1 Req | 18309     | 318         | 168      |

### C20 PICKUP

| Year    | Engine              | Location                 | Qty.  | ni Number | Item Number | See Page |
|---------|---------------------|--------------------------|-------|-----------|-------------|----------|
| 1985-86 | 4.3L 262ci VIN N    | Exhaust Pipe, Right Side | 1 Req | 18319     | 319         | 169      |
| 1985-86 | 4.3L 262ci VIN N    | Exhaust Pipe, Left Side  | 1 Req | 18534     | 18534       | 170      |
| 1985-86 | 5.0L 305ci VIN H, L | Exhaust Pipe, Right Side | 1 Req | 18319     | 319         | 169      |
| 1985-86 | 5.7L 350ci VIN L, M | Exhaust Pipe, Right Side | 1 Req | 18319     | 319         | 169      |
| 1985-86 | 7.4L 454ci VIN W    | Exhaust Pipe, Right Side | 1 Req | 18305     | 18305       | 168      |
| 1985-86 | 7.4L 454ci VIN W    | Exhaust Pipe, Left Side  | 1 Req | 18534     | 18534       | 170      |

### C20 SUBURBAN

| Year    | Engine              | Location                 | Qty.  | ni Number | Item Number | See Page |
|---------|---------------------|--------------------------|-------|-----------|-------------|----------|
| 1985-86 | 5.0L 305ci VIN H    | Exhaust Pipe, Right Side | 1 Req | 18319     | 319         | 169      |
| 1985-86 | 5.7L 350ci VIN L, M | Exhaust Pipe, Right Side | 1 Req | 18319     | 319         | 169      |
| 1985-86 | 7.4L 454ci VIN W    | Exhaust Pipe, Right Side | 1 Req | 18305     | 18305       | 168      |
| 1985-86 | 7.4L 454ci VIN W    | Exhaust Pipe, Left Side  | 1 Req | 18534     | 18534       | 170      |

### C2500 PICKUP

| Year    | Engine           | Location                                  | Qty.  | ni Number | Item Number | See Page |
|---------|------------------|-------------------------------------------|-------|-----------|-------------|----------|
| 1988-95 | 4.3L 262ci VIN Z | Exhaust Pipe, Left/Right                  | 1 Req | 18309     | 318         | 168      |
| 1994-95 | 5.0L 305ci VIN H | Exhaust Pipe, Left/Right                  | 1 Req | 18309     | 318         | 168      |
| 1988-91 | 5.0L 305ci VIN H | Exhaust Pipe, Left/Right                  | 1 Req | 18309     | 318         | 168      |
| 1988-95 | 5.7L 350ci VIN K | Exhaust Pipe, Left/Right                  | 1 Req | 18309     | 318         | 168      |
| 1988-93 | 6.2L 379ci VIN C | Exhaust Pipe, Left Side                   | 1 Req | 18309     | 318         | 168      |
| 1988-93 | 6.2L 379ci VIN C | Exhaust Pipe, Right Side (w/GASKET 13841) | 1 Req | 18318     | 15318       | 169      |
| 1989-93 | 6.2L 379ci VIN J | Exhaust Pipe, Left/Right                  | 1 Req | 18309     | 318         | 168      |
| 1994-95 | 6.5L 395ci VIN P | Exhaust Pipe, Left/Right                  | 1 Req | 18309     | 318         | 168      |
| 1991-95 | 7.4L 454ci VIN N | Exhaust Pipe, Left/Right                  | 1 Req | 18309     | 318         | 168      |

### C2500 SUBURBAN

| Year    | Engine           | Location                 | Qty.  | ni Number | Item Number | See Page |
|---------|------------------|--------------------------|-------|-----------|-------------|----------|
| 1992-95 | 5.7L 350ci VIN K | Exhaust Pipe, Left/Right | 1 Req | 18309     | 318         | 168      |
| 1992-95 | 7.4L 454ci VIN N | Exhaust Pipe, Left/Right | 1 Req | 18309     | 318         | 168      |

### C30 PICKUP

| Year    | Engine            | Location                              | Qty.  | ni Number | Item Number | See Page |
|---------|-------------------|---------------------------------------|-------|-----------|-------------|----------|
| 1985-86 | 4.8L 292 ci VIN T | Exhaust Pipe, Left/Right              | 1 Req | 18534     | 18534       | 170      |
| 1986    | 5.0L 305ci VIN H  | Exhaust Pipe, Right Side              | 1 Req | 18319     | 319         | 169      |
| 1985-86 | 5.7L 350ci VIN M  | Exhaust Pipe, Right Side, Calif       | 1 Req | 18319     | 319         | 169      |
| 1985-86 | 5.7L 350ci VIN M  | Exhaust Pipe, Right Side, Exc. Calif. | 1 Req | 18305     | 18305       | 168      |
| 1985-86 | 5.7L 350ci VIN M  | Exhaust Pipe, Left Side, Exc. Calif.  | 1 Req | 18534     | 18534       | 170      |

### C3500 PICKUP

| Year    | Engine           | Location                 | Qty.  | ni Number | Item Number | See Page |
|---------|------------------|--------------------------|-------|-----------|-------------|----------|
| 1988-95 | 5.7L 350ci VIN K | Exhaust Pipe, Left/Right | 1 Req | 18309     | 318         | 168      |
| 1988-93 | 6.2L 379ci VIN J | Exhaust Pipe, Left/Right | 1 Req | 18309     | 318         | 168      |
| 1988-95 | 7.4L 454ci VIN N | Exhaust Pipe, Left/Right | 1 Req | 18309     | 318         | 168      |

# Flange Mounting Kits Application Information Cont.

## CHEVROLET

### CAVALIER

| Year    | Engine              | Location            | Qty.  | ni Number | Item Number | See Page |
|---------|---------------------|---------------------|-------|-----------|-------------|----------|
| 1982    | 1.8L 112ci VIN G    | Exhaust Pipe, Front | 1 Req | 18313     | 313         | 169      |
| 1983-84 | 2.1L 122ci VIN B, P | Exhaust Pipe, Front | 1 Req | 18313     | 313         | 169      |
| 1992-96 | 2.2L 134ci VIN 4    | Exhaust Pipe, Front | 1 Req | 18313     | 313         | 169      |
| 1990-91 | 2.2L 134ci VIN G    | Exhaust Pipe, Front | 1 Req | 18313     | 313         | 169      |
| 1995    | 2.3L 138ci VIN D    | Converter Inlet     | 1 Req | 18313     | 313         | 169      |
| 1995-98 | 2.4L 146ci VIN T    | Converter Inlet     | 1 Req | 18313     | 313         | 169      |
| 1985-89 | 2.8L 173ci VIN W    | Exhaust Pipe, Front | 1 Req | 18313     | 313         | 169      |
| 1990-94 | 3.1L 189ci VIN T    | Exhaust Pipe, Front | 1 Req | 18313     | 313         | 169      |

### CELEBRITY

| Year    | Engine              | Location            | Qty.  | ni Number | Item Number | See Page |
|---------|---------------------|---------------------|-------|-----------|-------------|----------|
| 1982-90 | 2.5L 151ci VIN R    | Exhaust Pipe, Front | 1 Req | 18313     | 313         | 169      |
| 1982-89 | 2.8L 173ci VIN W, X | Exhaust Pipe, Front | 1 Req | 18310     | 310         | 169      |
| 1990    | 3.1L 189ci VIN T    | Exhaust Pipe, Front | 1 Req | 18310     | 310         | 169      |

### CHEVETTE

| Year    | Engine           | Location            | Qty.  | ni Number | Item Number | See Page |
|---------|------------------|---------------------|-------|-----------|-------------|----------|
| 1981-86 | 1.8L 110ci VIN D | Exhaust Pipe, Front | 1 Req | 18310     | 310         | 169      |

### EL CAMINO

| Year    | Engine           | Location                 | Qty.  | ni Number | Item Number | See Page |
|---------|------------------|--------------------------|-------|-----------|-------------|----------|
| 1983-84 | 3.8L 231ci VIN A | Exhaust Pipe, Right Side | 1 Req | 18314     | 18314       | 169      |
| 1983-84 | 5.7L 350ci VIN N | Exhaust Pipe, Right Side | 1 Req | 18314     | 18314       | 169      |

### G20

| Year    | Engine           | Location                                  | Qty.  | ni Number | Item Number | See Page |
|---------|------------------|-------------------------------------------|-------|-----------|-------------|----------|
| 1994-95 | 6.5L 395ci VIN P | Exhaust Pipe, Left/Right                  | 1 Req | 18309     | 318         | 168      |
| 1994-95 | 6.5L 395ci VIN P | Exhaust Pipe, Right Side (w/GASKET 13841) | 1 Req | 18318     | 15318       | 169      |
| 1994-96 | 6.5L 395ci VIN Y | Exhaust Pipe, Right Side                  | 1 Req | 18309     | 318         | 168      |

### K10 PICKUP

| Year    | Engine           | Location                                  | Qty.  | ni Number | Item Number | See Page |
|---------|------------------|-------------------------------------------|-------|-----------|-------------|----------|
| 1985-86 | 4.3L 262ci VIN N | Exhaust Pipe, Left Side                   | 1 Req | 18319     | 319         | 169      |
| 1985-86 | 4.3L 262ci VIN N | Exhaust Pipe, Right Side                  | 1 Req | 18534     | 18534       | 170      |
| 1985-86 | 5.0L 305ci VIN H | Exhaust Pipe, Right Side                  | 1 Req | 18534     | 18534       | 170      |
| 1985-86 | 5.7L 350ci VIN L | Exhaust Pipe, Right Side                  | 1 Req | 18319     | 319         | 169      |
| 1985-86 | 5.7L 350ci VIN M | Exhaust Pipe, Left Side                   | 1 Req | 18305     | 18305       | 168      |
| 1985-86 | 5.7L 350ci VIN M | Exhaust Pipe, Right Side                  | 1 Req | 18534     | 18534       | 170      |
| 1985-86 | 6.2L 379ci VIN C | Exhaust Pipe, Right Side (w/GASKET 13841) | 1 Req | 18538     | 15538       | 170      |

### K10 SUBURBAN

| Year | Engine              | Location                                 | Qty.  | ni Number | Item Number | See Page |
|------|---------------------|------------------------------------------|-------|-----------|-------------|----------|
| 1986 | 5.0L 305ci VIN F, H | Exhaust Pipe, Left Side                  | 1 Req | 18309     | 318         | 168      |
| 1986 | 5.0L 305ci VIN F, H | Exhaust Pipe, Right Side                 | 1 Req | 18319     | 319         | 169      |
| 1986 | 5.0L 305ci VIN F, H | Exhaust Pipe, Left Side (w/GASKET 13841) | 1 Req | 18318     | 15318       | 169      |

**DESIGN MAKES  
THE DIFFERENCE**

# Flange Mounting Kits Application Information Cont.

## CHEVROLET

### K10 SUBURBAN (continued)

| Year    | Engine              | Location                                  | Qty.  | ni Number | Item Number | See Page |
|---------|---------------------|-------------------------------------------|-------|-----------|-------------|----------|
| 1985    | 5.0L 305ci VIN F, H | Exhaust Pipe, Left/Right                  | 1 Req | 18309     | 318         | 168      |
| 1985    | 5.0L 305ci VIN F, H | Exhaust Pipe, Left/Right (w/GASKET 13841) | 1 Req | 18318     | 15318       | 169      |
| 1983-84 | 5.7L 350ci VIN L    | Exhaust Pipe, Right Side                  | 1 Req | 18319     | 319         | 169      |
| 1985-86 | 5.7L 350ci VIN M    | Exhaust Pipe, Left Side                   | 1 Req | 18305     | 18305       | 168      |
| 1985-86 | 5.7L 350ci VIN M    | Exhaust Pipe, Right Side                  | 1 Req | 18534     | 18534       | 170      |

### K1500 SUBURBAN

| Year    | Engine           | Location                 | Qty.  | ni Number | Item Number | See Page |
|---------|------------------|--------------------------|-------|-----------|-------------|----------|
| 1992-95 | 5.7L 350Ci VIN K | Exhaust Pipe, Left/Right | 1 Req | 18309     | 318         | 168      |

### K20 PICKUP

| Year    | Engine              | Location                 | Qty.  | ni Number | Item Number | See Page |
|---------|---------------------|--------------------------|-------|-----------|-------------|----------|
| 1985    | 4.3L 262ci VIN Z    | Exhaust Pipe, Left Side  | 1 Req | 18534     | 18534       | 170      |
| 1985    | 4.3L 262ci VIN Z    | Exhaust Pipe, Right Side | 1 Req | 18319     | 319         | 169      |
| 1985-86 | 4.8L 292ci VIN T    | Exhaust Pipe             | 1 Req | 18534     | 18534       | 170      |
| 1985    | 5.0L 305ci VIN H    | Exhaust Pipe, Right Side | 1 Req | 18319     | 319         | 169      |
| 1985-86 | 5.7L 350ci VIN L, M | Exhaust Pipe, Right Side | 1 Req | 18319     | 319         | 169      |

### K20 SUBURBAN

| Year    | Engine              | Location                 | Qty.  | ni Number | Item Number | See Page |
|---------|---------------------|--------------------------|-------|-----------|-------------|----------|
| 1985-86 | 5.0L 305ci VIN H    | Exhaust Pipe, Right Side | 1 Req | 18319     | 319         | 169      |
| 1985-86 | 5.7L 350ci VIN L, M | Exhaust Pipe, Right Side | 1 Req | 18319     | 319         | 169      |

### K2500 PICKUP

| Year    | Engine              | Location                 | Qty.  | ni Number | Item Number | See Page |
|---------|---------------------|--------------------------|-------|-----------|-------------|----------|
| 1988-95 | 4.3L 262ci VIN Z    | Exhaust Pipe, Left/Right | 1 Req | 18309     | 318         | 168      |
| 1994-95 | 5.0L 305ci VIN H    | Exhaust Pipe, Left/Right | 1 Req | 18309     | 318         | 168      |
| 1988-91 | 5.0L 305ci VIN H    | Exhaust Pipe, Left/Right | 1 Req | 18309     | 318         | 168      |
| 1988-95 | 5.7L 350ci VIN K    | Exhaust Pipe, Left/Right | 1 Req | 18309     | 318         | 168      |
| 1989-93 | 6.2L 379ci VIN C, J | Exhaust Pipe, Left/Right | 1 Req | 18309     | 318         | 168      |
| 1994-95 | 6.5L 395ci VIN P    | Exhaust Pipe, Left/Right | 1 Req | 18309     | 318         | 168      |
| 1991-95 | 7.4L 454ci VIN N    | Exhaust Pipe, Left/Right | 1 Req | 18309     | 318         | 168      |

### K2500 PICKUP

| Year    | Engine           | Location                 | Qty.  | ni Number | Item Number | See Page |
|---------|------------------|--------------------------|-------|-----------|-------------|----------|
| 1992-95 | 5.7L 350ci VIN K | Exhaust Pipe, Left/Right | 1 Req | 18309     | 318         | 168      |
| 1992-95 | 7.4L 454ci VIN N | Exhaust Pipe, Left/Right | 1 Req | 18309     | 318         | 168      |

### K30 PICKUP

| Year    | Engine           | Location                              | Qty.  | ni Number | Item Number | See Page |
|---------|------------------|---------------------------------------|-------|-----------|-------------|----------|
| 1983-86 | 4.8L 292ci VIN T | Exhaust Pipe Left/Right               | 1 Req | 18534     | 18534       | 170      |
| 1985-85 | 5.7L 350ci VIN L | Exhaust Pipe, Right Side              | 1 Req | 18534     | 18534       | 170      |
| 1985-86 | 5.7L 350ci VIN M | Exhaust Pipe, Right Side, Calif       | 1 Req | 18319     | 319         | 169      |
| 1985-86 | 5.7L 350ci VIN M | Exhaust Pipe, Left Side, Exc. Calif.  | 1 Req | 18534     | 18534       | 170      |
| 1985-86 | 5.7L 350ci VIN M | Exhaust Pipe, Right Side, Exc. Calif. | 1 Req | 18305     | 18305       | 168      |

**DESIGN MAKES  
THE DIFFERENCE**

# Flange Mounting Kits Application Information Cont.

## CHEVROLET

### K30 PICKUP (continued)

| Year    | Engine           | Location                 | Qty.  | ni Number | Item Number | See Page |
|---------|------------------|--------------------------|-------|-----------|-------------|----------|
| 1983-86 | 7.4L 454ci VIN W | Exhaust Pipe, Left Side  | 1 Req | 18534     | 18534       | 170      |
| 1983-86 | 7.4L 454ci VIN W | Exhaust Pipe, Right Side | 1 Req | 18305     | 18305       | 168      |

### K3500 PICKUP

| Year    | Engine           | Location                 | Qty.  | ni Number | Item Number | See Page |
|---------|------------------|--------------------------|-------|-----------|-------------|----------|
| 1988-95 | 5.7L 350ci VIN K | Exhaust Pipe, Left/Right | 1 Req | 18309     | 318         | 168      |
| 1988-93 | 6.2L 379ci VIN J | Exhaust Pipe, Left/Right | 1 Req | 18309     | 318         | 168      |
| 1988-95 | 7.4L454ci VIN N  | Exhaust Pipe, Left/Right | 1 Req | 18309     | 318         | 168      |

### LUMINA

| Year    | Engine              | Location            | Qty.  | ni Number | Item Number | See Page |
|---------|---------------------|---------------------|-------|-----------|-------------|----------|
| 1981-86 | 2.5L 151ci VIN R    | Exhaust Pipe, Front | 1 Req | 18310     | 310         | 169      |
| 1990-99 | 3.1L 189ci VIN M, T | Exhaust Pipe, Front | 1 Req | 18310     | 310         | 169      |
| 1991-97 | 3.4L 204ci VIN X    | Exhaust Pipe, Front | 1 Req | 18310     | 310         | 169      |
| 1998-99 | 3.8L 231ci VIN K    | Exhaust Pipe, Front | 1 Req | 18310     | 310         | 169      |

### LUMINA APV

| Year    | Engine           | Location                | Qty.  | ni Number | Item Number | See Page |
|---------|------------------|-------------------------|-------|-----------|-------------|----------|
| 1990-95 | 3.1L 189ci VIN D | Exhaust Pipe, Left Side | 1 Req | 18310     | 310         | 169      |
| 1992-95 | 3.8L 231ci VIN L | Exhaust Pipe, Left Side | 1 Req | 18310     | 310         | 169      |

### MALIBU

| Year    | Engine           | Location            | Qty.  | ni Number | Item Number | See Page |
|---------|------------------|---------------------|-------|-----------|-------------|----------|
| 1982-83 | 5.7L 350ci VIN N | Exhaust Pipe, Front | 1 Req | 18311     | 311         | 169      |

### METRO

| Year    | Engine          | Location            | Qty.  | ni Number | Item Number | See Page |
|---------|-----------------|---------------------|-------|-----------|-------------|----------|
| 1992    | 1.3L 79ci VIN 2 | Exhaust Pipe, Front | 1 Req | 18304     | 18304       | 168      |
| 1999-01 | 1.3L 79ci VIN 9 | Exhaust Pipe, Front | 1 Req | 18304     | 18304       | 168      |

### MONTE CARLO

| Year    | Engine                 | Location            | Qty.  | ni Number | Item Number | See Page |
|---------|------------------------|---------------------|-------|-----------|-------------|----------|
| 1995-99 | 3.1L 189Ci VIN M       | Exhaust Pipe, Front | 1 Req | 18310     | 310         | 169      |
| 1995-97 | 3.4L 204ci VIN X       | Exhaust Pipe, Front | 1 Req | 18310     | 310         | 169      |
| 1980-83 | 3.8L 229ci VIN 9, A, K | Exhaust Pipe, Front | 1 Req | 18534     | 18534       | 170      |
| 1982-84 | 5.7L 350ci VIN N       | Exhaust Pipe, Front | 1 Req | 18311     | 311         | 169      |

### P30

| Year    | Engine           | Location                 | Qty.  | ni Number | Item Number | See Page |
|---------|------------------|--------------------------|-------|-----------|-------------|----------|
| 1994-95 | 6.5L 395ci VIN F | Exhaust Pipe, Left/Right | 1 Req | 18309     | 318         | 168      |
| 1990-97 | 7.4L 454ci VIN N | Exhaust Pipe, Left/Right | 1 Req | 18534     | 18534       | 170      |

### R10 PICKUP

| Year | Engine           | Location                 | Qty.  | ni Number | Item Number | See Page |
|------|------------------|--------------------------|-------|-----------|-------------|----------|
| 1987 | 4.3L 262ci VIN Z | Exhaust Pipe, Left Side  | 1 Req | 18319     | 319         | 169      |
| 1987 | 4.3L 262ci VIN Z | Exhaust Pipe, Right Side | 1 Req | 18534     | 18534       | 170      |

**DESIGN MAKES  
THE DIFFERENCE**



# Flange Mounting Kits Application Information Cont.

## CHEVROLET

### R10 PICKUP

| Year | Engine           | Location                                  | Qty.  | ni Number | Item Number | See Page |
|------|------------------|-------------------------------------------|-------|-----------|-------------|----------|
| 1987 | 4.3L 262ci VIN Z | Exhaust Pipe, Right Side (w/GASKET 13841) | 1 Req | 18535     | 18535       | 170      |
| 1987 | 5.0L 305ci VIN H | Exhaust Pipe, Right Side                  | 1 Req | 18319     | 319         | 169      |

### R10 SUBURBAN

| Year | Engine           | Location                 | Qty.  | ni Number | Item Number | See Page |
|------|------------------|--------------------------|-------|-----------|-------------|----------|
| 1987 | 5.0L 305ci VIN H | Exhaust Pipe, Right Side | 1 Req | 18319     | 319         | 169      |

### R20 PICKUP

| Year    | Engine           | Location                                  | Qty.  | ni Number | Item Number | See Page |
|---------|------------------|-------------------------------------------|-------|-----------|-------------|----------|
| 1987    | 4.3L 262ci VIN Z | Exhaust Pipe, Left Side                   | 1 Req | 18319     | 319         | 169      |
| 1987    | 4.3L 262ci VIN Z | Exhaust Pipe, Right Side                  | 1 Req | 18534     | 18534       | 170      |
| 1987    | 4.3L 262ci VIN Z | Exhaust Pipe, Right Side (w/GASKET 13841) | 1 Req | 18535     | 18535       | 170      |
| 1987-88 | 4.8L 292ci VIN T | Exhaust Pipe, Front                       | 1 Req | 18534     | 18534       | 170      |
| 1987-88 | 4.8L 292ci VIN T | Exhaust Pipe, Front (w/GASKET 13841)      | 1 Req | 18535     | 18535       | 170      |
| 1987    | 5.0L 305ci VIN H | Exhaust Pipe, Right Side                  | 1 Req | 18319     | 319         | 169      |

### R20 SUBURBAN

| Year | Engine           | Location                 | Qty.  | ni Number | Item Number | See Page |
|------|------------------|--------------------------|-------|-----------|-------------|----------|
| 1988 | 5.7L 350ci VIN K | Exhaust Pipe, Right Side | 1 Req | 18535     | 18535       | 170      |

### R2500 SUBURBAN

| Year    | Engine           | Location                             | Qty.  | ni Number | Item Number | See Page |
|---------|------------------|--------------------------------------|-------|-----------|-------------|----------|
| 1987-88 | 5.7L 350ci VIN K | Exhaust Pipe, Front (w/GASKET 13841) | 1 Req | 18535     | 18535       | 170      |
| 1989-91 | 7.4L 454ci VIN N | Exhaust Pipe, Right Side             | 1 Req | 18534     | 18534       | 170      |

### R30 PICKUP

| Year    | Engine           | Location                             | Qty.  | ni Number | Item Number | See Page |
|---------|------------------|--------------------------------------|-------|-----------|-------------|----------|
| 1987-88 | 4.8L 292ci VIN T | Exhaust Pipe, Front                  | 1 Req | 18534     | 18534       | 170      |
| 1987-88 | 4.8L 292ci VIN T | Exhaust Pipe, Front (w/GASKET 13841) | 1 Req | 18535     | 18535       | 170      |
| 1987-88 | 5.7L 350ci VIN M | Exhaust Pipe, Right Side             | 1 Req | 18534     | 18534       | 170      |
| 1987-88 | 6.2L 379ci VIN J | Exhaust Pipe, Left/Right             | 1 Req | 18309     | 318         | 168      |
| 1987-88 | 7.4L 454ci VIN W | Exhaust Pipe, Right Side             | 1 Req | 18305     | 18305       | 168      |
| 1987-88 | 7.4L 454ci VIN W | Exhaust Pipe, Left Side              | 1 Req | 18534     | 18534       | 170      |

### R3500

| Year    | Engine           | Location                 | Qty.  | ni Number | Item Number | See Page |
|---------|------------------|--------------------------|-------|-----------|-------------|----------|
| 1989-91 | 6.2L 379ci VIN J | Exhaust Pipe, Left/Right | 1 Req | 18534     | 18534       | 170      |
| 1989-91 | 7.4L 454ci VIN N | Exhaust Pipe, Right Side | 1 Req | 18534     | 18534       | 170      |
| 1989    | 7.4L 454ci VIN W | Exhaust Pipe, Left Side  | 1 Req | 18534     | 18534       | 170      |
| 1989    | 7.4L 454ci VIN W | Exhaust Pipe, Right Side | 1 Req | 18305     | 18305       | 168      |

### S10 BLAZER

| Year    | Engine           | Location            | Qty.  | ni Number | Item Number | See Page |
|---------|------------------|---------------------|-------|-----------|-------------|----------|
| 1983-84 | 1.9L 119ci VIN A | Exhaust Pipe, Front | 1 Req | 18310     | 310         | 169      |
| 1983-84 | 2.0L 122ci VIN Y | Exhaust Pipe, Front | 1 Req | 18310     | 310         | 169      |
| 1984    | 2.2L 134ci VIN S | Exhaust Pipe, Front | 1 Req | 18310     | 310         | 169      |
| 1985-88 | 2.5L 151ci VIN E | Exhaust Pipe, Front | 1 Req | 18310     | 310         | 169      |

**DESIGN MAKES  
THE DIFFERENCE**

# Flange Mounting Kits Application Information Cont.

## CHEVROLET

### S10 BLAZER (continued)

| Year    | Engine              | Location                 | Qty.  | ni Number | Item Number | See Page |
|---------|---------------------|--------------------------|-------|-----------|-------------|----------|
| 1983-90 | 2.8L 173ci VIN B, R | Exhaust Pipe, Left/Right | 1 Req | 18310     | 310         | 169      |
| 1992-94 | 4.3L 262ci VIN W    | Exhaust Pipe, Left/Right | 1 Req | 18309     | 318         | 168      |
| 1991-95 | 4.3L 262ci VIN Z    | Exhaust Pipe, Left/Right | 1 Req | 18309     | 318         | 168      |

### S10 PICKUP

| Year    | Engine              | Location                 | Qty.  | ni Number | Item Number | See Page |
|---------|---------------------|--------------------------|-------|-----------|-------------|----------|
| 1982-85 | 1.9L 119ci VIN A    | Exhaust Pipe, Front      | 1 Req | 18310     | 310         | 169      |
| 1983-84 | 2.0L 122ci VIN Y    | Exhaust Pipe, Front      | 1 Req | 18310     | 310         | 169      |
| 1994-95 | 2.2L 134ci VIN 4    | Exhaust Pipe, Front      | 1 Req | 18310     | 310         | 169      |
| 1983-85 | 2.2L 134ci VIN S    | Exhaust Pipe, Front      | 1 Req | 18310     | 310         | 169      |
| 1991-93 | 2.5L 151ci VIN A    | Exhaust Pipe, Front      | 1 Req | 18310     | 310         | 169      |
| 1985-91 | 2.5L 151ci VIN E    | Exhaust Pipe, Front      | 1 Req | 18310     | 310         | 169      |
| 1982-93 | 2.8L 173ci VIN B, R | Exhaust Pipe, Left/Right | 1 Req | 18310     | 310         | 169      |
| 1994-95 | 4.3L 262ci VIN W    | Exhaust Pipe, Left/Right | 1 Req | 18309     | 318         | 168      |
| 1991-95 | 4.3L 262ci VIN Z    | Exhaust Pipe, Left/Right | 1 Req | 18309     | 318         | 168      |

### SPRINT

| Year    | Engine          | Location            | Qty.  | ni Number | Item Number | See Page |
|---------|-----------------|---------------------|-------|-----------|-------------|----------|
| 1989-91 | 1.0L 61ci VIN 2 | Exhaust Pipe, Front | 1 Req | 18304     | 18304       | 168      |
| 1989-91 | 1.0L 61ci VIN 6 | Exhaust Pipe, Front | 1 Req | 18304     | 18304       | 168      |

### TAHOE

| Year | Engine           | Location                 | Qty.  | ni Number | Item Number | See Page |
|------|------------------|--------------------------|-------|-----------|-------------|----------|
| 1995 | 5.7L 350ci VIN K | Exhaust Pipe, Left/Right | 1 Req | 18309     | 318         | 168      |

### TRACKER

| Year    | Engine            | Location                                  | Qty.  | ni Number | Item Number | See Page |
|---------|-------------------|-------------------------------------------|-------|-----------|-------------|----------|
| 2001-02 | 1.6L 98ci VIN 6   | Exhaust Pipe, Front, Canada               | 2 Req | 18304     | 18304       | 168      |
| 2001-02 | 1.6L 98ci VIN 6   | Exhaust Pipe, Rear, Canada                | 2 Req | 18304     | 18304       | 168      |
| 1999-00 | 1.6L 98ci VIN 6   | Exhaust Pipe, Front, Exc. Calif.          | 2 Req | 18304     | 18304       | 168      |
| 1999-00 | 1.6L 98ci VIN 6   | Exhaust Pipe, Rear, Exc. Calif.           | 2 Req | 18304     | 18304       | 168      |
| 1999-00 | 1.6L 98ci VIN 6   | Manifold Mounted Converter, Calif, Front  | 2 Req | 18304     | 18304       | 168      |
| 1998    | 1.6L 98ci VIN 6   | Exhaust Pipe, Front, Rear                 | 2 Req | 18304     | 18304       | 168      |
| 1989-91 | 1.6L 98ci VIN U   | Muffler Inlet                             | 2 Req | 18304     | 18304       | 168      |
| 1999-03 | 2.1L 122ci VIN C  | Manifold Mounted Converter, Front, Calif. | 2 Req | 18304     | 18304       | 168      |
| 1999-03 | 2.1L 122ci VIN C  | Exhaust Pipe Exc. Calif., Front           | 2 Req | 18304     | 18304       | 168      |
| 1999-03 | 2.1L 122ci VIN C  | Exhaust Pipe Exc. Calif., Rear            | 2 Req | 18304     | 18304       | 168      |
| 2001-04 | 2.5L 2500cc VIN 4 | Exhaust Pipe, Rear                        | 2 Req | 18304     | 18304       | 168      |

### V10 PICKUP

| Year | Engine           | Location                                  | Qty.  | ni Number | Item Number | See Page |
|------|------------------|-------------------------------------------|-------|-----------|-------------|----------|
| 1987 | 4.3L 262ci VIN Z | Exhaust Pipe, Left Side                   | 1 Req | 18319     | 319         | 169      |
| 1987 | 4.3L 262ci VIN Z | Exhaust Pipe, Right Side                  | 1 Req | 18534     | 18534       | 170      |
| 1987 | 4.3L 262ci VIN Z | Exhaust Pipe, Right Side (w/GASKET 13841) | 1 Req | 18535     | 18535       | 170      |

# Flange Mounting Kits Application Information Cont.

## CHEVROLET

### V10 PICKUP (continued)

| Year | Engine           | Location                                  | Qty.  | ni Number | Item Number | See Page |
|------|------------------|-------------------------------------------|-------|-----------|-------------|----------|
| 1987 | 5.0L 305ci VIN H | Exhaust Pipe, Right Side                  | 1 Req | 18319     | 319         | 169      |
| 1987 | 5.7L 350ci VIN K | Exhaust Pipe, Right Side (w/GASKET 13841) | 1 Req | 18535     | 18535       | 170      |

### V20 PICKUP

| Year    | Engine           | Location            | Qty.  | ni Number | Item Number | See Page |
|---------|------------------|---------------------|-------|-----------|-------------|----------|
| 1987-88 | 4.8L 292ci VIN T | Exhaust Pipe, Front | 1 Req | 18534     | 18534       | 170      |
| 1987-88 | 4.8L 292ci VIN T | Exhaust Pipe, Front | 1 Req | 18535     | 18535       | 170      |

### V2500 SUBURBAN

| Year    | Engine           | Location                 | Qty.  | ni Number | Item Number | See Page |
|---------|------------------|--------------------------|-------|-----------|-------------|----------|
| 1990-90 | 7.4L 454ci VIN N | Exhaust Pipe, Right Side | 1 Req | 18534     | 18534       | 170      |

### V30 PICKUP

| Year    | Engine           | Location                 | Qty.  | ni Number | Item Number | See Page |
|---------|------------------|--------------------------|-------|-----------|-------------|----------|
| 1987-88 | 4.8L 292ci VIN T | Exhaust Pipe, Front      | 1 Req | 18534     | 18534       | 170      |
| 1987-88 | 5.7L 350Ci VIN M | Exhaust Pipe, Right Side | 1 Req | 18534     | 18534       | 170      |
| 1987-88 | 5.7L 350Ci VIN M | Exhaust Pipe, Left Side  | 1 Req | 18305     | 18305       | 168      |
| 1987-88 | 7.4L 454 VIN N   | Exhaust Pipe, Right Side | 1 Req | 18534     | 18534       | 170      |
| 1987-88 | 7.4L 454ci VIN W | Exhaust Pipe, Right Side | 1 Req | 18305     | 18305       | 168      |
| 1987-88 | 7.4L 454ci VIN W | Exhaust Pipe, Left Side  | 1 Req | 18534     | 18534       | 170      |

### V3500 PICKUP

| Year    | Engine           | Location                 | Qty.  | ni Number | Item Number | See Page |
|---------|------------------|--------------------------|-------|-----------|-------------|----------|
| 1989-91 | 7.4L 454ci VIN N | Exhaust Pipe, Right Side | 1 Req | 18534     | 18534       | 170      |
| 1989    | 7.4L 454ci VIN W | Exhaust Pipe, Left Side  | 1 Req | 18534     | 18534       | 170      |
| 1989    | 7.4L 454ci VIN W | Exhaust Pipe, Right Side | 1 Req | 18305     | 18305       | 168      |

## CHRYSLER

### CIRRUS

| Year    | Engine           | Location                               | Qty.  | ni Number | Item Number | See Page |
|---------|------------------|----------------------------------------|-------|-----------|-------------|----------|
| 1995-97 | 2.4L 148ci VIN X | Exhaust Pipe, Front, w/Retainer Nuts   | 1 Req | 18539     | 18539       | 166      |
| 1995-97 | 2.4L 148ci VIN X | Exhaust Pipe, Front, w/o Retainer Nuts | 1 Req | 18194     | 194         | 166      |
| 1995-97 | 2.5L 152ci VIN H | Exhaust Pipe, Front, w/Retainer Nuts   | 1 Req | 18539     | 18539       | 166      |
| 1995-97 | 2.5L 152ci VIN H | Exhaust Pipe, Front, w/o Retainer Nuts | 1 Req | 18194     | 194         | 166      |

### E-CLASS

| Year    | Engine           | Location                               | Qty.  | ni Number | Item Number | See Page |
|---------|------------------|----------------------------------------|-------|-----------|-------------|----------|
| 1984    | 2.2L 135ci VIN E | Exhaust Pipe, Front, w/Retainer Nuts   | 1 Req | 18539     | 18539       | 166      |
| 1984    | 2.2L 135ci VIN E | Exhaust Pipe, Front, w/o Retainer Nuts | 1 Req | 18194     | 194         | 166      |
| 1984    | 2.6L 156ci VIN G | Exhaust Pipe, Front, w/Retainer Nuts   | 1 Req | 18539     | 18539       | 166      |
| 1983-84 | 2.6L 156ci VIN G | Exhaust Pipe, Front, w/o Retainer Nuts | 1 Req | 18194     | 194         | 166      |

### EXECUTIVE SEDAN

| Year    | Engine           | Location                               | Qty.  | ni Number | Item Number | See Page |
|---------|------------------|----------------------------------------|-------|-----------|-------------|----------|
| 1983-85 | 2.6L 156ci VIN G | Exhaust Pipe, Front, w/Retainer Nuts   | 1 Req | 18539     | 18539       | 166      |
| 1983-85 | 2.6L 156ci VIN G | Exhaust Pipe, Front, w/o Retainer Nuts | 1 Req | 18194     | 194         | 166      |

**DESIGN MAKES  
THE DIFFERENCE**

# Flange Mounting Kits Application Information Cont.

## CHRYSLER

### EXECUTIVE SEDAN (continued)

| Year    | Engine           | Location                            | Qty.  | ni Number | Item Number | See Page |
|---------|------------------|-------------------------------------|-------|-----------|-------------|----------|
| 1983-85 | 2.6L 156ci VIN G | Exhaust Pipe, Front, w/Split Flange | 1 Req | 18192     | 192         | 166      |

### IMPERIAL

| Year    | Engine           | Location                               | Qty.  | ni Number | Item Number | See Page |
|---------|------------------|----------------------------------------|-------|-----------|-------------|----------|
| 1990-91 | 3.3L 201ci VIN R | Exhaust Pipe, Front, w/Retainer Nuts   | 1 Req | 18539     | 18539       | 166      |
| 1990-91 | 3.3L 201ci VIN R | Exhaust Pipe, Front, w/o Retainer Nuts | 1 Req | 18194     | 194         | 166      |
| 1991-93 | 3.8L 230ci VIN L | Exhaust Pipe, Front, w/Retainer Nuts   | 1 Req | 18539     | 18539       | 166      |
| 1991-93 | 3.8L 230ci VIN L | Exhaust Pipe, Front, w/o Retainer Nuts | 1 Req | 18194     | 194         | 166      |

### LASER

| Year    | Engine                 | Location                               | Qty.  | ni Number | Item Number | See Page |
|---------|------------------------|----------------------------------------|-------|-----------|-------------|----------|
| 1984-86 | 2.2L 135ci VIN D, E, K | Exhaust Pipe, Front, w/Retainer Nuts   | 1 Req | 18539     | 18539       | 166      |
| 1984-86 | 2.2L 135ci VIN D, E, K | Exhaust Pipe, Front, w/o Retainer Nuts | 1 Req | 18194     | 194         | 166      |

### LEBARON

| Year    | Engine                       | Location                               | Qty.  | ni Number | Item Number | See Page |
|---------|------------------------------|----------------------------------------|-------|-----------|-------------|----------|
| 1989    | 2.2L 135ci VIN A             | Exhaust Pipe, Front, w/Retainer Nuts   | 1 Req | 18539     | 18539       | 166      |
| 1989    | 2.2L 135ci VIN A             | Exhaust Pipe, Front, w/o Retainer Nuts | 1 Req | 18194     | 194         | 166      |
| 1989    | 2.2L 135ci VIN A             | Exhaust Pipe, Front, w/Split Flange    | 1 Req | 18192     | 192         | 166      |
| 1982    | 2.2L 135ci VIN B             | Exhaust Pipe, Front, w/Retainer Nuts   | 1 Req | 18539     | 18539       | 166      |
| 1982    | 2.2L 135ci VIN B             | Exhaust Pipe, Front, w/o Retainer Nuts | 1 Req | 18194     | 194         | 166      |
| 1982    | 2.2L 135ci VIN B             | Exhaust Pipe, Front, w/Split Flange    | 1 Req | 18192     | 192         | 166      |
| 1984-93 | 2.2L 135ci VIN C, D, E, J, K | Exhaust Pipe, Front, w/Retainer Nuts   | 1 Req | 18539     | 18539       | 166      |
| 1984-93 | 2.2L 135ci VIN C, D, E, J, K | Exhaust Pipe, Front, w/o Retainer Nuts | 1 Req | 18194     | 194         | 166      |
| 1984-93 | 2.2L 135ci VIN C, D, E, J, K | Exhaust Pipe, Front, w/Split Flange    | 2 Req | 18192     | 192         | 166      |
| 1993    | 2.5L 153ci VIN V             | Exhaust Pipe, Front, w/Retainer Nuts   | 1 Req | 18539     | 18539       | 166      |
| 1993    | 2.5L 153ci VIN V             | Exhaust Pipe, Front, w/o Retainer Nuts | 1 Req | 18194     | 194         | 166      |
| 1993    | 2.5L 153ci VIN V             | Exhaust Pipe, Front, w/Split Flange    | 1 Req | 18192     | 192         | 166      |
| 1982-85 | 2.6L 156ci VIN D, G          | Exhaust Pipe, Front, w/Retainer Nuts   | 1 Req | 18539     | 18539       | 166      |
| 1982-85 | 2.6L 156ci VIN D, G          | Exhaust Pipe, Front, w/o Retainer Nuts | 1 Req | 18194     | 194         | 166      |
| 1982-85 | 2.6L 156ci VIN D, G          | Exhaust Pipe, Front, w/Split Flange    | 1 Req | 18192     | 192         | 166      |
| 1990-95 | 3.0L 181ci VIN 3             | Exhaust Pipe, Front, w/Retainer Nuts   | 1 Req | 18539     | 18539       | 166      |
| 1990-95 | 3.0L 181ci VIN 3             | Exhaust Pipe, Front, w/o Retainer Nuts | 1 Req | 18194     | 194         | 166      |
| 1990    | 3.0L 181ci VIN 3             | Exhaust Pipe, Front, w/Split Flange    | 1 Req | 18192     | 192         | 166      |

### NEW YORKER

| Year    | Engine                    | Location                               | Qty.  | ni Number | Item Number | See Page |
|---------|---------------------------|----------------------------------------|-------|-----------|-------------|----------|
| 1983-88 | 2.2L 135ci VIN C, D, E, K | Exhaust Pipe, Front, w/Retainer Nuts   | 1 Req | 18539     | 18539       | 166      |
| 1983-88 | 2.2L 135ci VIN C, D, E, K | Exhaust Pipe, Front, w/o Retainer Nuts | 1 Req | 18194     | 194         | 166      |
| 1983-88 | 2.2L 135ci VIN C, D, E, K | Exhaust Pipe, Front, w/Split Flange    | 1 Req | 18192     | 192         | 166      |
| 1983-85 | 2.6L 156ci VIN G          | Exhaust Pipe, Front, w/Retainer Nuts   | 1 Req | 18539     | 18539       | 166      |
| 1983-85 | 2.6L 156ci VIN G          | Exhaust Pipe, Front, w/o Retainer Nuts | 1 Req | 18194     | 194         | 166      |
| 1983-85 | 2.6L 156ci VIN G          | Exhaust Pipe, Front, w/Split Flange    | 1 Req | 18192     | 192         | 166      |
| 1988-90 | 3.0L 181ci VIN 3          | Exhaust Pipe, Front, w/Retainer Nuts   | 1 Req | 18539     | 18539       | 166      |
| 1988-90 | 3.0L 181ci VIN 3          | Exhaust Pipe, Front, w/o Retainer Nuts | 1 Req | 18194     | 194         | 166      |
| 1990-93 | 3.3L 201ci VIN R          | Exhaust Pipe, Front, w/Retainer Nuts   | 1 Req | 18539     | 18539       | 166      |
| 1990-93 | 3.3L 201ci VIN R          | Exhaust Pipe, Front, w/o Retainer Nuts | 1 Req | 18194     | 194         | 166      |

**DESIGN MAKES  
THE DIFFERENCE**

# Flange Mounting Kits Application Information Cont.

## CHRYSLER

### NEW YORKER (continued)

| Year    | Engine           | Location                               | Qty.  | ni Number | Item Number | See Page |
|---------|------------------|----------------------------------------|-------|-----------|-------------|----------|
| 1991-93 | 3.8L 230ci VIN L | Exhaust Pipe, Front, w/Retainer Nuts   | 1 Req | 18539     | 18539       | 166      |
| 1991-93 | 3.8L 230ci VIN L | Exhaust Pipe, Front, w/o Retainer Nuts | 1 Req | 18194     | 194         | 166      |

### SEBRING

| Year    | Engine           | Location                               | Qty.  | ni Number | Item Number | See Page |
|---------|------------------|----------------------------------------|-------|-----------|-------------|----------|
| 1995-96 | 2.1L 122ci VIN Y | Exhaust Pipe, Front, w/Retainer Nuts   | 1 Req | 18539     | 18539       | 166      |
| 1995-96 | 2.1L 122ci VIN Y | Exhaust Pipe, Front, w/o Retainer Nuts | 1 Req | 18194     | 194         | 166      |

### TC MASERATI

| Year    | Engine           | Location                               | Qty.  | ni Number | Item Number | See Page |
|---------|------------------|----------------------------------------|-------|-----------|-------------|----------|
| 1989    | 2.2L 135ci VIN P | Exhaust Pipe, Front, w/Retainer Nuts   | 1 Req | 18539     | 18539       | 166      |
| 1989    | 2.2L 135ci VIN P | Exhaust Pipe, Front, w/o Retainer Nuts | 1 Req | 18194     | 194         | 166      |
| 1989-90 | 2.2L 135ci VIN R | Exhaust Pipe, Front, w/Retainer Nuts   | 1 Req | 18539     | 18539       | 166      |
| 1989-90 | 2.2L 135ci VIN R | Exhaust Pipe, Front, w/o Retainer Nuts | 1 Req | 18194     | 194         | 166      |
| 1989-90 | 2.2L 135ci VIN R | Exhaust Pipe, Front, w/Split Flange    | 1 Req | 18192     | 192         | 166      |
| 1990-91 | 3.0L 181ci VIN S | Exhaust Pipe, Front, w/Retainer Nuts   | 1 Req | 18539     | 18539       | 166      |
| 1990-91 | 3.0L 181ci VIN S | Exhaust Pipe, Front, w/o Retainer Nuts | 1 Req | 18194     | 194         | 166      |

### TOWN & COUNTRY

| Year    | Engine                 | Location                               | Qty.  | ni Number | Item Number | See Page |
|---------|------------------------|----------------------------------------|-------|-----------|-------------|----------|
| 1982-88 | 2.2L 135ci VIN B, C, E | Exhaust Pipe, Front, w/Retainer Nuts   | 1 Req | 18539     | 18539       | 166      |
| 1982-88 | 2.2L 135ci VIN B, C, E | Exhaust Pipe, Front, w/o Retainer Nuts | 1 Req | 18194     | 194         | 166      |
| 1982-88 | 2.2L 135ci VIN B, C, E | Exhaust Pipe, Front, w/Split Flange    | 1 Req | 18192     | 192         | 166      |
| 1986-88 | 2.5L 153ci VIN K       | Exhaust Pipe, Front, w/Retainer Nuts   | 1 Req | 18539     | 18539       | 166      |
| 1986-88 | 2.5L 153ci VIN K       | Exhaust Pipe, Front, w/o Retainer Nuts | 1 Req | 18194     | 194         | 166      |
| 1986-88 | 2.5L 153ci VIN K       | Exhaust Pipe, Front, w/Split Flange    | 1 Req | 18192     | 192         | 166      |
| 1982-85 | 2.6L 156ci VIN D, G    | Exhaust Pipe, Front, w/Retainer Nuts   | 1 Req | 18539     | 18539       | 166      |
| 1982-85 | 2.6L 156ci VIN D, G    | Exhaust Pipe, Front, w/o Retainer Nuts | 1 Req | 18194     | 194         | 166      |
| 1982-85 | 2.6L 156ci VIN D, G    | Exhaust Pipe, Front, w/Split Flange    | 1 Req | 18192     | 192         | 166      |
| 1990-93 | 3.3L 201ci VIN R       | Exhaust Pipe, Front, w/Retainer Nuts   | 1 Req | 18539     | 18539       | 166      |
| 1990-93 | 3.3L 201ci VIN R       | Converter Inlet, w/o Retainer Nuts     | 1 Req | 18194     | 194         | 166      |
| 1994-95 | 3.8L 230ci VIN L       | Exhaust Pipe, Front, w/Retainer Nuts   | 1 Req | 18539     | 18539       | 166      |
| 1994-95 | 3.8L 230ci VIN L       | Converter Inlet, w/o Retainer Nuts     | 1 Req | 18194     | 194         | 166      |

## DODGE

### 400

| Year    | Engine              | Location                               | Qty.  | ni Number | Item Number | See Page |
|---------|---------------------|----------------------------------------|-------|-----------|-------------|----------|
| 1982-83 | 2.2L 135ci VIN B    | Exhaust Pipe, Front, w/Retainer Nuts   | 1 Req | 18539     | 18539       | 166      |
| 1982-83 | 2.2L 135ci VIN B    | Exhaust Pipe, Front, w/o Retainer Nuts | 1 Req | 18194     | 194         | 166      |
| 1982-83 | 2.2L 135ci VIN B    | Exhaust Pipe, Front, w/Split Flange    | 1 Req | 18192     | 192         | 166      |
| 1982-83 | 2.6L 156ci VIN D, G | Exhaust Pipe, Front, w/Retainer Nuts   | 1 Req | 18539     | 18539       | 166      |
| 1982-83 | 2.6L 156ci VIN D, G | Exhaust Pipe, Front, w/o Retainer Nuts | 1 Req | 18194     | 194         | 166      |
| 1982-83 | 2.6L 156ci VIN D, G | Exhaust Pipe, Front, w/Split Flange    | 1 Req | 18192     | 192         | 166      |

### 600

| Year    | Engine                    | Location                               | Qty.  | ni Number | Item Number | See Page |
|---------|---------------------------|----------------------------------------|-------|-----------|-------------|----------|
| 1983-88 | 2.2L 135ci VIN C, D, E, K | Exhaust Pipe, Front, w/Retainer Nuts   | 1 Req | 18539     | 18539       | 166      |
| 1983-88 | 2.2L 135ci VIN C, D, E, K | Exhaust Pipe, Front, w/o Retainer Nuts | 1 Req | 18194     | 194         | 166      |

**DESIGN MAKES  
THE DIFFERENCE**

# Flange Mounting Kits Application Information Cont.

## DODGE

### 600 (continued)

| Year    | Engine                    | Location                               | Qty.  | ni Number | Item Number | See Page |
|---------|---------------------------|----------------------------------------|-------|-----------|-------------|----------|
| 1983-88 | 2.2L 135ci VIN C, D, E, K | Exhaust Pipe, Front, w/Split Flange    | 1 Req | 18192     | 192         | 166      |
| 1983-85 | 2.6L 156ci VIN G          | Exhaust Pipe, Front, w/Retainer Nuts   | 1 Req | 18539     | 18539       | 166      |
| 1983-85 | 2.6L 156ci VIN G          | Exhaust Pipe, Front, w/o Retainer Nuts | 1 Req | 18194     | 194         | 166      |
| 1983-85 | 2.6L 156ci VIN G          | Exhaust Pipe, Front, w/Split Flange    | 1 Req | 18192     | 192         | 166      |

### ARIES

| Year    | Engine                    | Location                               | Qty.  | ni Number | Item Number | See Page |
|---------|---------------------------|----------------------------------------|-------|-----------|-------------|----------|
| 1981-89 | 2.2L 135ci VIN B, C, D, K | Exhaust Pipe, Front, w/Retainer Nuts   | 1 Req | 18539     | 18539       | 166      |
| 1981-89 | 2.2L 135ci VIN B, C, D, K | Exhaust Pipe, Front, w/o Retainer Nuts | 1 Req | 18194     | 194         | 166      |
| 1981-89 | 2.2L 135ci VIN B, C, D, K | Exhaust Pipe, Front, w/Split Flange    | 1 Req | 18192     | 192         | 166      |
| 1981-85 | 2.6L 156ci VIN D, G       | Exhaust Pipe, Front, w/Retainer Nuts   | 1 Req | 18539     | 18539       | 166      |
| 1981-85 | 2.6L 156ci VIN D, G       | Exhaust Pipe, Front, w/o Retainer Nuts | 1 Req | 18194     | 194         | 166      |
| 1981-85 | 2.6L 156ci VIN D, G       | Exhaust Pipe, Front, w/Split Flange    | 1 Req | 18192     | 192         | 166      |

### CARAVAN

| Year    | Engine              | Location                            | Qty.  | ni Number | Item Number | See Page |
|---------|---------------------|-------------------------------------|-------|-----------|-------------|----------|
| 1984-87 | 2.2L 135ci VIN C    | Converter Inlet                     | 1 Req | 18194     | 194         | 166      |
| 1984-87 | 2.2L 135ci VIN C    | Converter Inlet, w/Retainer Nuts    | 1 Req | 18539     | 18539       | 166      |
| 1984-87 | 2.2L 135ci VIN C    | Exhaust Pipe, Front, w/Split Flange | 1 Req | 18192     | 192         | 166      |
| 1988-95 | 2.5L 153ci VIN J, K | Converter Inlet, w/Retainer Nuts    | 1 Req | 18539     | 18539       | 166      |
| 1988-95 | 2.5L 153ci VIN J, K | Converter Inlet, w/o Retainer Nuts  | 1 Req | 18194     | 194         | 166      |
| 1988-95 | 2.5L 153ci VIN J, K | Exhaust Pipe, Front, w/Split Flange | 1 Req | 18192     | 192         | 166      |
| 1984-87 | 2.6L 156ci VIN G    | Converter Inlet, w/Retainer Nuts    | 1 Req | 18539     | 18539       | 166      |
| 1984-87 | 2.6L 156ci VIN G    | Converter Inlet, w/o Retainer Nuts  | 1 Req | 18194     | 194         | 166      |
| 1984-87 | 2.6L 156ci VIN G    | Exhaust Pipe, Front, w/Split Flange | 1 Req | 18192     | 192         | 166      |
| 1987-95 | 3.0L 181ci VIN 3    | Converter Inlet, w/Retainer Nuts    | 1 Req | 18539     | 18539       | 166      |
| 1987-95 | 3.0L 181ci VIN 3    | Converter Inlet, w/o Retainer Nuts  | 1 Req | 18194     | 194         | 166      |
| 1994-95 | 3.3L 201ci VIN J    | Converter Inlet, w/Retainer Nuts    | 1 Req | 18539     | 18539       | 166      |
| 1994-95 | 3.3L 201ci VIN J    | Converter Inlet, w/o Retainer Nuts  | 1 Req | 18194     | 194         | 166      |
| 1990-95 | 3.3L 201ci VIN R    | Converter Inlet, w/Retainer Nuts    | 1 Req | 18539     | 18539       | 166      |
| 1990-95 | 3.3L 201ci VIN R    | Converter Inlet, w/o Retainer Nuts  | 1 Req | 18194     | 194         | 166      |

### CHARGER

| Year    | Engine                 | Location                               | Qty.  | ni Number | Item Number | See Page |
|---------|------------------------|----------------------------------------|-------|-----------|-------------|----------|
| 1983-86 | 2.2L 135ci VIN 8, A, C | Exhaust Pipe, Front, w/Retainer Nuts   | 1 Req | 18539     | 18539       | 166      |
| 1983-86 | 2.2L 135ci VIN 8, A, C | Exhaust Pipe, Front, w/o Retainer Nuts | 1 Req | 18194     | 194         | 166      |
| 1983-86 | 2.2L 135ci VIN 8, A, C | Exhaust Pipe, Front, w/Split Flange    | 1 Req | 18192     | 192         | 166      |

### DAYTONA

| Year    | Engine                      | Location                               | Qty.  | ni Number | Item Number | See Page |
|---------|-----------------------------|----------------------------------------|-------|-----------|-------------|----------|
| 1987-93 | 2.2L 135ci VIN A            | Exhaust Pipe, Front, w/Retainer Nuts   | 1 Req | 18539     | 18539       | 166      |
| 1987-33 | 2.2L 135ci VIN A            | Exhaust Pipe, Front, w/o Retainer Nuts | 1 Req | 18194     | 194         | 166      |
| 1984-89 | 2.2L 135ci VIN A, E (Turbo) | Exhaust Pipe, Front, w/Retainer Nuts   | 1 Req | 18539     | 18539       | 166      |
| 1984-89 | 2.2L 135ci VIN A, E (Turbo) | Exhaust Pipe, Front, w/o Retainer Nuts | 1 Req | 18194     | 194         | 166      |
| 1990    | 2.2L 135ci VIN C            | Exhaust Pipe, Front, w/Retainer Nuts   | 1 Req | 18539     | 18539       | 166      |
| 1990    | 2.2L 135ci VIN C            | Exhaust Pipe, Front, w/o Retainer Nuts | 1 Req | 18194     | 194         | 166      |
| 1990    | 2.2L 135ci VIN C (Turbo)    | Exhaust Pipe, Front, w/Retainer Nuts   | 1 Req | 18539     | 18539       | 166      |
| 1990    | 2.2L 135ci VIN C (Turbo)    | Exhaust Pipe, Front, w/o Retainer Nuts | 1 Req | 18194     | 194         | 166      |

**DESIGN MAKES  
THE DIFFERENCE**

# Flange Mounting Kits Application Information Cont.

## DODGE

### DAYTONA (continued)

| Year    | Engine                   | Location                               | Qty.  | ni Number | Item Number | See Page |
|---------|--------------------------|----------------------------------------|-------|-----------|-------------|----------|
| 1984-86 | 2.2L 135ci VIN D         | Exhaust Pipe, Front, w/Retainer Nuts   | 1 Req | 18539     | 18539       | 166      |
| 1984-86 | 2.2L 135ci VIN D         | Exhaust Pipe, Front, w/o Retainer Nuts | 1 Req | 18194     | 194         | 166      |
| 1984-86 | 2.2L 135ci VIN D         | Exhaust Pipe, Front, w/Split Flange    | 1 Req | 18192     | 192         | 166      |
| 1984-88 | 2.2L 135ci VIN E         | Exhaust Pipe, Front, w/Retainer Nuts   | 1 Req | 18539     | 18539       | 166      |
| 1984-88 | 2.2L 135ci VIN E         | Exhaust Pipe, Front, w/o Retainer Nuts | 1 Req | 18194     | 194         | 166      |
| 1984-88 | 2.2L 135ci VIN E         | Exhaust Pipe, Front, w/Split Flange    | 1 Req | 18192     | 192         | 166      |
| 1989-92 | 2.5L 153ci VIN J (Turbo) | Exhaust Pipe, Front, w/Retainer Nuts   | 1 Req | 18539     | 18539       | 166      |
| 1989-92 | 2.5L 153ci VIN J (Turbo) | Exhaust Pipe, Front, w/o Retainer Nuts | 1 Req | 18194     | 194         | 166      |
| 1987-92 | 2.5L 153ci VIN J         | Exhaust Pipe, Front, w/Retainer Nuts   | 1 Req | 18539     | 18539       | 166      |
| 1987-92 | 2.5L 153ci VIN J         | Exhaust Pipe, Front, w/o Retainer Nuts | 1 Req | 18194     | 194         | 166      |
| 1986-93 | 2.5L 153ci VIN K         | Exhaust Pipe, Front, w/Retainer Nuts   | 1 Req | 18539     | 18539       | 166      |
| 1986-93 | 2.5L 153ci VIN K         | Exhaust Pipe, Front, w/o Retainer Nuts | 1 Req | 18194     | 194         | 166      |
| 1986-93 | 2.5L 153ci VIN K         | Exhaust Pipe, Front, w/Split Flange    | 1 Req | 18192     | 192         | 166      |
| 1990-93 | 3.0L 181ci VIN 3         | Exhaust Pipe, Front, w/Retainer Nuts   | 1 Req | 18539     | 18539       | 166      |
| 1990-93 | 3.0L 181ci VIN 3         | Exhaust Pipe, Front, w/o Retainer Nuts | 1 Req | 18194     | 194         | 166      |

### DYNASTY

| Year    | Engine           | Location                               | Qty.  | ni Number | Item Number | See Page |
|---------|------------------|----------------------------------------|-------|-----------|-------------|----------|
| 1988-93 | 2.5L 153ci VIN K | Exhaust Pipe, Front, w/Retainer Nuts   | 1 Req | 18539     | 18539       | 166      |
| 1988-93 | 2.5L 153ci VIN K | Exhaust Pipe, Front, w/o Retainer Nuts | 1 Req | 18194     | 194         | 166      |
| 1989-93 | 3.0L 181ci VIN 3 | Exhaust Pipe, Front, w/Retainer Nuts   | 1 Req | 18539     | 18539       | 166      |
| 1989-93 | 3.0L 181ci VIN 3 | Exhaust Pipe, Front, w/o Retainer Nuts | 1 Req | 18194     | 194         | 166      |
| 1990-93 | 3.3L 201ci VIN R | Exhaust Pipe, Front, w/Retainer Nuts   | 1 Req | 18539     | 18539       | 166      |
| 1990-93 | 3.3L 201ci VIN R | Exhaust Pipe, Front, w/o Retainer Nuts | 1 Req | 18194     | 194         | 166      |

### GRAND CARAVAN

| Year    | Engine           | Location                            | Qty.  | ni Number | Item Number | See Page |
|---------|------------------|-------------------------------------|-------|-----------|-------------|----------|
| 1988    | 2.5L 153ci VIN K | Converter Inlet, w/Retainer Nuts    | 1 Req | 18539     | 18539       | 166      |
| 1988    | 2.5L 153ci VIN K | Converter Inlet, w/o Retainer Nuts  | 1 Req | 18194     | 194         | 166      |
| 1988    | 2.5L 153ci VIN K | Exhaust Pipe, Front, w/Split Flange | 1 Req | 18192     | 192         | 166      |
| 1988-95 | 3.0L 181ci VIN 3 | Converter Inlet, w/Retainer Nuts    | 1 Req | 18539     | 18539       | 166      |
| 1988-95 | 3.0L 181ci VIN 3 | Converter Inlet, w/o Retainer Nuts  | 1 Req | 18194     | 194         | 166      |
| 1990-95 | 3.3L 201ci VIN R | Converter Inlet, w/Retainer Nuts    | 1 Req | 18539     | 18539       | 166      |
| 1990-95 | 3.3L 201ci VIN R | Converter Inlet, w/o Retainer Nuts  | 1 Req | 18194     | 194         | 166      |
| 1994-95 | 3.8L 230ci VIN L | Converter Inlet, w/Retainer Nuts    | 1 Req | 18539     | 18539       | 166      |
| 1994-95 | 3.8L 230ci VIN L | Converter Inlet, w/o Retainer Nuts  | 1 Req | 18194     | 194         | 166      |

### LANCER

| Year    | Engine                   | Location                             | Qty.  | ni Number | Item Number | See Page |
|---------|--------------------------|--------------------------------------|-------|-----------|-------------|----------|
| 1988-89 | 2.2L 135ci VIN A (Turbo) | Exhaust Pipe, Front, w/Retainer Nuts | 1 Req | 18539     | 18539       | 166      |
| 1988-89 | 2.2L 135ci VIN A (Turbo) | Exhaust Pipe, w/o Retainer Nuts      | 1 Req | 18194     | 194         | 166      |
| 1985-89 | 2.2L 135ci VIN D         | Exhaust Pipe, Front, w/Retainer Nuts | 1 Req | 18539     | 18539       | 166      |
| 1985-89 | 2.2L 135ci VIN D         | Exhaust Pipe, w/o Retainer Nuts      | 1 Req | 18194     | 194         | 166      |

# Flange Mounting Kits Application Information Cont.

## DODGE

### LANCER (continued)

| Year    | Engine                   | Location                             | Qty.  | ni Number | Item Number | See Page |
|---------|--------------------------|--------------------------------------|-------|-----------|-------------|----------|
| 1985-89 | 2.2L 135ci VIN D         | Exhaust Pipe, Front, w/Split Flange  | 1 Req | 18192     | 192         | 166      |
| 1985-88 | 2.2L 135ci VIN E         | Exhaust Pipe, Front, w/Retainer Nuts | 1 Req | 18539     | 18539       | 166      |
| 1985-88 | 2.2L 135ci VIN E         | Exhaust Pipe, w/o Retainer Nuts      | 1 Req | 18194     | 194         | 166      |
| 1989    | 2.5L 153ci VIN J (Turbo) | Exhaust Pipe, Front, w/Retainer Nuts | 1 Req | 18539     | 18539       | 166      |
| 1989    | 2.5L 153ci VIN J (Turbo) | Exhaust Pipe, w/o Retainer Nuts      | 1 Req | 18194     | 194         | 166      |
| 1989    | 2.5L 153ci VIN J (Turbo) | Exhaust Pipe, Front, w/Split Flange  | 1 Req | 18192     | 192         | 166      |
| 1986-89 | 2.5L 153ci VIN K         | Exhaust Pipe, Front, w/Retainer Nuts | 1 Req | 18539     | 18539       | 166      |
| 1986-89 | 2.5L 153ci VIN K         | Exhaust Pipe, w/o Retainer Nuts      | 1 Req | 18194     | 194         | 166      |
| 1986-89 | 2.5L 153ci VIN K         | Exhaust Pipe, Front, w/Split Flange  | 1 Req | 18192     | 192         | 166      |

### MINI RAM VAN

| Year    | Engine           | Location                            | Qty.  | ni Number | Item Number | See Page |
|---------|------------------|-------------------------------------|-------|-----------|-------------|----------|
| 1984-87 | 2.2L 135ci VIN C | Converter Inlet, w/Retainer Nuts    | 1 Req | 18539     | 18539       | 166      |
| 1984-87 | 2.2L 135ci VIN C | Converter Inlet, w/o Retainer Nuts  | 1 Req | 18194     | 194         | 166      |
| 1984-87 | 2.2L 135ci VIN C | Exhaust Pipe, Front, w/Split Flange | 1 Req | 18192     | 192         | 166      |
| 1987-88 | 2.5L 153ci VIN K | Converter Inlet, w/Retainer Nuts    | 1 Req | 18539     | 18539       | 166      |
| 1987-88 | 2.5L 153ci VIN K | Converter Inlet, w/o Retainer Nuts  | 1 Req | 18194     | 194         | 166      |
| 1987-88 | 2.5L 153ci VIN K | Exhaust Pipe, Front, w/Split Flange | 1 Req | 18192     | 192         | 166      |
| 1984-87 | 2.6L 156ci VIN G | Converter Inlet, w/Retainer Nuts    | 1 Req | 18539     | 18539       | 166      |
| 1984-87 | 2.6L 156ci VIN G | Converter Inlet, w/o Retainer Nuts  | 1 Req | 18194     | 194         | 166      |
| 1984-87 | 2.6L 156ci VIN G | Exhaust Pipe, Front, w/Split Flange | 1 Req | 18192     | 192         | 166      |
| 1987-88 | 3.0L 181ci VIN 3 | Converter Inlet, w/Retainer Nuts    | 1 Req | 18539     | 18539       | 166      |
| 1987-88 | 3.0L 181ci VIN 3 | Converter Inlet, w/o Retainer Nuts  | 1 Req | 18194     | 194         | 166      |

### NEON

| Year    | Engine              | Location                               | Qty.  | ni Number | Item Number | See Page |
|---------|---------------------|----------------------------------------|-------|-----------|-------------|----------|
| 1995-99 | 2.0L 122ci VIN C, Y | Exhaust Pipe, Front, w/Retainer Nuts   | 1 Req | 18539     | 18539       | 166      |
| 1995-99 | 2.0L 122ci VIN C, Y | Exhaust Pipe, Front, w/o Retainer Nuts | 1 Req | 18194     | 194         | 166      |

### OMNI

| Year    | Engine                    | Location                               | Qty.  | ni Number | Item Number | See Page |
|---------|---------------------------|----------------------------------------|-------|-----------|-------------|----------|
| 1983-86 | 1.6L 97ci VIN A           | Exhaust Pipe, Front, w/Retainer Nuts   | 1 Req | 18539     | 18539       | 166      |
| 1983-86 | 1.6L 97ci VIN A           | Exhaust Pipe, Front, w/o Retainer Nuts | 1 Req | 18194     | 194         | 166      |
| 1983-86 | 1.6L 97ci VIN A           | Exhaust Pipe, Front, w/Split Flange    | 1 Req | 18192     | 192         | 166      |
| 1982-83 | 1.7L 105ci VIN A, B       | Exhaust Pipe, Front, w/Retainer Nuts   | 1 Req | 18539     | 18539       | 166      |
| 1982-83 | 1.7L 105ci VIN A, B       | Exhaust Pipe, Front, w/o Retainer Nuts | 1 Req | 18194     | 194         | 166      |
| 1982-83 | 1.7L 105ci VIN A, B       | Exhaust Pipe, Front, w/Split Flange    | 1 Req | 18192     | 192         | 166      |
| 1984-86 | 2.2L 135ci VIN 8          | Exhaust Pipe, Front, w/Retainer Nuts   | 1 Req | 18539     | 18539       | 166      |
| 1984-86 | 2.2L 135ci VIN 8          | Exhaust Pipe, Front, w/o Retainer Nuts | 1 Req | 18194     | 194         | 166      |
| 1981-90 | 2.2L 135ci VIN B, C, D, E | Exhaust Pipe, Front, w/Retainer Nuts   | 1 Req | 18539     | 18539       | 166      |
| 1981-90 | 2.2L 135ci VIN B, C, D, E | Exhaust Pipe, Front, w/o Retainer Nuts | 1 Req | 18194     | 194         | 166      |
| 1981-90 | 2.2L 135ci VIN B, C, D, E | Exhaust Pipe, Front, w/Split Flange    | 1 Req | 18192     | 192         | 166      |



# Flange Mounting Kits Application Information Cont.

## DODGE

### RAMPAGE

| Year    | Engine           | Location                            | Qty.  | ni Number | Item Number | See Page |
|---------|------------------|-------------------------------------|-------|-----------|-------------|----------|
| 1987-89 | 2.2L 135ci VIN B | Converter Inlet, w/Retainer Nuts    | 1 Req | 18539     | 18539       | 166      |
| 1987-89 | 2.2L 135ci VIN B | Converter Inlet, w/o Retainer Nuts  | 1 Req | 18194     | 194         | 166      |
| 1983-84 | 2.2L 135ci VIN C | Converter Inlet, w/Retainer Nuts    | 1 Req | 18539     | 18539       | 166      |
| 1983-84 | 2.2L 135ci VIN C | Converter Inlet, w/o Retainer Nuts  | 1 Req | 18194     | 194         | 166      |
| 1983-84 | 2.2L 135ci VIN C | Exhaust Pipe, Front, w/Split Flange | 1 Req | 18192     | 192         | 166      |

### ROYAL MINI RAM VAN

| Year    | Engine           | Location                            | Qty.  | ni Number | Item Number | See Page |
|---------|------------------|-------------------------------------|-------|-----------|-------------|----------|
| 1984-87 | 2.2L 135ci VIN C | Converter Inlet, w/Retainer Nuts    | 1 Req | 18539     | 18539       | 166      |
| 1984-87 | 2.2L 135ci VIN C | Converter Inlet, w/o Retainer Nuts  | 1 Req | 18194     | 194         | 166      |
| 1984-87 | 2.6L 156i VIN G  | Converter Inlet, w/Retainer Nuts    | 1 Req | 18539     | 18539       | 166      |
| 1984-87 | 2.6L 156i VIN G  | Converter Inlet, w/o Retainer Nuts  | 1 Req | 18194     | 194         | 166      |
| 1984-87 | 2.6L 156i VIN G  | Exhaust Pipe, Front, w/Split Flange | 1 Req | 18192     | 192         | 166      |
| 1987    | 3.0L 181ci VIN 3 | Converter Inlet, w/Retainer Nuts    | 1 Req | 18539     | 18539       | 166      |
| 1987    | 3.0L 181ci VIN 3 | Converter Inlet, w/o Retainer Nuts  | 1 Req | 18194     | 194         | 166      |

### SHADOW

| Year    | Engine                   | Location                               | Qty.  | ni Number | Item Number | See Page |
|---------|--------------------------|----------------------------------------|-------|-----------|-------------|----------|
| 1987-94 | 2.2L 135ci VIN A, C, D   | Exhaust Pipe, Front, w/Retainer Nuts   | 1 Req | 18539     | 18539       | 166      |
| 1987-94 | 2.2L 135ci VIN A, C, D   | Exhaust Pipe, Front, w/o Retainer Nuts | 1 Req | 18194     | 194         | 166      |
| 1987-94 | 2.2L 135ci VIN A, C, D   | Exhaust Pipe, Front, w/Split Flange    | 1 Req | 18192     | 192         | 166      |
| 1987-88 | 2.2L 135ci VIN E (Turbo) | Exhaust Pipe, Front, w/Retainer Nuts   | 1 Req | 18539     | 18539       | 166      |
| 1987-88 | 2.2L 135ci VIN E (Turbo) | Exhaust Pipe, Front, w/o Retainer Nuts | 1 Req | 18194     | 194         | 166      |
| 1987-88 | 2.2L 135ci VIN E (Turbo) | Exhaust Pipe, Front, w/Split Flange    | 1 Req | 18192     | 192         | 166      |
| 1988-94 | 2.5L 153ci VIN J, K      | Exhaust Pipe, Front, w/Retainer Nuts   | 1 Req | 18539     | 18539       | 166      |
| 1988-94 | 2.5L 153ci VIN J, K      | Exhaust Pipe, Front, w/o Retainer Nuts | 1 Req | 18194     | 194         | 166      |
| 1988-94 | 2.5L 153ci VIN J, K      | Exhaust Pipe, Front, w/Split Flange    | 1 Req | 18192     | 192         | 166      |
| 1992-93 | 3.0L 181ci VIN 3         | Exhaust Pipe, Front                    | 1 Req | 18539     | 18539       | 166      |
| 1992-93 | 3.0L 181ci VIN 3         | Exhaust Pipe, Front                    | 1 Req | 18194     | 194         | 166      |

### SPIRIT

| Year    | Engine                       | Location                               | Qty.  | ni Number | Item Number | See Page |
|---------|------------------------------|----------------------------------------|-------|-----------|-------------|----------|
| 1991-92 | 2.2L 135ci VIN A, J, (Turbo) | Exhaust Pipe, Front, w/Retainer Nuts   | 1 Req | 18539     | 18539       | 166      |
| 1991-92 | 2.2L 135ci VIN A, J, (Turbo) | Exhaust Pipe, Front, w/o Retainer Nuts | 1 Req | 18194     | 194         | 166      |
| 1989-94 | 2.5L 143ci VIN K             | Exhaust Pipe, Front, w/Retainer Nuts   | 1 Req | 18539     | 18539       | 166      |
| 1989-94 | 2.5L 143ci VIN K             | Exhaust Pipe, Front, w/o Retainer Nuts | 1 Req | 18194     | 194         | 166      |
| 1989-94 | 2.5L 143ci VIN K             | Exhaust Pipe, Front, w/Split Flange    | 1 Req | 18192     | 192         | 166      |
| 1993-94 | 2.5L 143ci VIN V             | Exhaust Pipe, Front, w/Retainer Nuts   | 1 Req | 18539     | 18539       | 166      |
| 1993-94 | 2.5L 143ci VIN V             | Exhaust Pipe, Front, w/o Retainer Nuts | 1 Req | 18194     | 194         | 166      |
| 1989-95 | 3.0L 181ci VIN 3             | Exhaust Pipe, Front, w/Retainer Nuts   | 1 Req | 18539     | 18539       | 166      |
| 1989-95 | 3.0L 181ci VIN 3             | Exhaust Pipe, Front, w/o Retainer Nuts | 1 Req | 18194     | 194         | 166      |

### VIPER

| Year    | Engine           | Location                             | Qty.  | ni Number | Item Number | See Page |
|---------|------------------|--------------------------------------|-------|-----------|-------------|----------|
| 1992-95 | 8.0L 488ci VIN E | Exhaust Pipe, Front, w/Retainer Nuts | 1 Req | 18539     | 18539       | 166      |
| 1992-95 | 8.0L 488ci VIN E | Exhaust Pipe, w/o Retainer Nuts      | 1 Req | 18194     | 194         | 166      |

# Flange Mounting Kits Application Information Cont.

## FORD

### ASPIRE

| Year    | Engine            | Location        | Qty.  | ni Number | Item Number | See Page |
|---------|-------------------|-----------------|-------|-----------|-------------|----------|
| 1994-97 | 1.3L 1295cc VIN H | Converter Inlet | 1 Req | 18317     | 317         | 167      |

### BRONCO II

| Year    | Engine     | Location                                                                  | Qty.  | ni Number | Item Number | See Page |
|---------|------------|---------------------------------------------------------------------------|-------|-----------|-------------|----------|
| 1986-90 | 2.9L 177ci | Converter Outlet, w/2-9/16" Split Flange & Retainer Nuts (w/GASKET 13807) | 1 Req | 18202     | 15202       | 167      |
| 1986-90 | 2.9L 177ci | Converter Outlet, w/Retainer Nuts                                         | 1 Req | 18316     | 316         | 167      |

### ESCORT

| Year    | Engine                        | Location                                                                    | Qty.  | ni Number | Item Number | See Page |
|---------|-------------------------------|-----------------------------------------------------------------------------|-------|-----------|-------------|----------|
| 1982-85 | 1.6L 1598cc VIN 2, 4, 5, 7, 8 | Converter Inlet, w/Retainer Nuts                                            | 1 Req | 18316     | 316         | 167      |
| 1982-85 | 1.6L 1598cc VIN 2, 4, 5, 7, 8 | Converter Inlet, w/ Split Flange (w/FLANGE 15109)                           | 1 Req | 18203     | 18203       | 167      |
| 1982-85 | 1.6L 1598cc VIN 2, 4, 5, 7, 8 | Converter Inlet, w/Interlocking Split Flange (w/FLANGE 15195A)              | 1 Req | 18195     | 195         | 166      |
| 1982-85 | 1.6L 1598cc VIN 2, 4, 5, 7, 8 | Converter Inlet, w/Interlocking Split Flange (w/FLANGE & 13743 GASKET)      | 1 Req | 18196A    | 196A        | 166      |
| 1985-90 | 1.9L 116ci VIN J, 9           | Converter Inlet w/2BBL, w/Retainer Nuts                                     | 1 Req | 18316     | 316         | 167      |
| 1985-90 | 1.9L 116ci VIN J, 9           | Converter Outlet w/Fuel Inj., w/Retainer Nuts                               | 1 Req | 18316     | 316         | 167      |
| 1985-90 | 1.9L 116ci VIN J, 9           | Converter Inlet w/2BBL, w/ Split Flange (w/FLANGE 15109)                    | 1 Req | 18203     | 18203       | 167      |
| 1985-90 | 1.9L 116ci VIN J, 9           | Converter Inlet w/2BBL, w/Interlocking Split Flange (w/FLANGE 15195A)       | 1 Req | 18195     | 195         | 166      |
| 1985-90 | 1.9L 116ci VIN J, 9           | Converter Outlet w/Fuel Inj., w/ Split Flange (w/FLANGE 15109)              | 1 Req | 18203     | 18203       | 167      |
| 1985-90 | 1.9L 116ci VIN J, 9           | Converter Outlet w/Fuel Inj., w/Interlocking Split Flange (w/FLANGE 15195A) | 1 Req | 18195     | 195         | 166      |
| 1985-90 | 1.9L 116ci VIN J, 9           | Converter Inlet w/2BBL, w/Interlocking Split Flange (W/13743 GASKET)        | 1 Req | 18196A    | 196A        | 166      |
| 1985-90 | 1.9L 116ci VIN J, 9           | Converter Outlet w/2BBL, w/Interlocking Split Flange (w/13743 GASKET)       | 1 Req | 18196A    | 196A        | 166      |
| 1984-87 | 2.0L 122ci (Diesel) VIN H     | Converter Inlet, w/Retainer Nuts                                            | 1 Req | 18316     | 316         | 167      |
| 1984-87 | 2.0L 122ci (Diesel) VIN H     | Converter Inlet, w/ Split Flange (w/FLANGE 15109)                           | 1 Req | 18203     | 18203       | 167      |
| 1984-87 | 2.0L 122ci (Diesel) VIN H     | Converter Inlet, w/Interlocking Split Flange (w/FLANGE 15195A)              | 1 Req | 18195     | 195         | 166      |
| 1984-87 | 2.0L 122ci (Diesel) VIN H     | Converter Inlet, w/Interlocking Split Flange (W/ 13743 GASKET)              | 1 Req | 18196A    | 196A        | 166      |

### EXP

| Year    | Engine                     | Location                                                       | Qty.  | ni Number | Item Number | See Page |
|---------|----------------------------|----------------------------------------------------------------|-------|-----------|-------------|----------|
| 1982-85 | 1.6L 1598cc VIN 2, 4, 5, 8 | Converter Inlet, w/Retainer Nuts                               | 1 Req | 18316     | 316         | 167      |
| 1982-85 | 1.6L 1598cc VIN 2, 4, 5, 8 | Converter Inlet, W/O Retainer Nuts                             | 1 Req | 18536     | 18536       | 167      |
| 1982-85 | 1.6L 1598cc VIN 2, 4, 5, 8 | Converter Inlet, w/ Split Flange (w/FLANGE 15109)              | 1 Req | 18203     | 18203       | 167      |
| 1982-85 | 1.6L 1598cc VIN 2, 4, 5, 8 | Converter Inlet, w/Interlocking Split Flange (w/FLANGE 15195A) | 1 Req | 18195     | 195         | 166      |
| 1982-85 | 1.6L 1598cc VIN 2, 4, 5, 8 | Converter Inlet, w/Interlocking Split Flange (W/ 13743 GASKET) | 1 Req | 18196A    | 196A        | 166      |

**DESIGN MAKES THE DIFFERENCE**

# Flange Mounting Kits Application Information Cont.

## FORD

### EXP (continued)

| Year    | Engine              | Location                                                       | Qty.  | ni Number | Item Number | See Page |
|---------|---------------------|----------------------------------------------------------------|-------|-----------|-------------|----------|
| 1986-88 | 1.9L 116CI VIN J, 9 | Converter Inlet, W/O Retainer Nuts                             | 1 Req | 18536     | 18536       | 167      |
| 1986-88 | 1.9L 116CI VIN J, 9 | Converter Inlet, w/ Split Flange (w/FLANGE 15109)              | 1 Req | 18203     | 18203       | 167      |
| 1986-88 | 1.9L 116CI VIN J, 9 | Converter Inlet, w/Interlocking Split Flange (w/FLANGE 15195A) | 1 Req | 18195     | 195         | 166      |
| 1986-88 | 1.9L 116CI VIN J, 9 | Converter Inlet, w/Interlocking Split Flange (W/ 13743 GASKET) | 1 Req | 18196A    | 196A        | 166      |

### EXPLORER

| Year    | Engine                 | Location                                                                   | Qty.  | ni Number | Item Number | See Page |
|---------|------------------------|----------------------------------------------------------------------------|-------|-----------|-------------|----------|
| 1997-00 | 4.0L 245ci (OHV)       | Converter Outlet, w/Retainer Nuts                                          | 1 Req | 18316     | 316         | 167      |
| 1997-00 | 4.0L 245ci (OHV)       | Converter Outlet, w/o Retainer Nuts                                        | 1 Req | 18536     | 18536       | 167      |
| 1997-00 | 4.0L 245ci (OHV)       | Converter Outlet, w/ 2-9/16" Split Flange & Retainer Nuts (w/GASKET 13807) | 1 Req | 18202     | 15202       | 167      |
| 1991-96 | 4.0L 245ci (OHV, SOHV) | Converter Outlet, w/Retainer Nuts                                          | 1 Req | 18316     | 316         | 167      |
| 1991-96 | 4.0L 245ci (OHV, SOHV) | Converter Outlet, w/o Retainer Nuts                                        | 1 Req | 18536     | 18536       | 167      |
| 1991-96 | 4.0L 245ci (OHV, SOHV) | Converter Outlet, w/ 2-9/16" Split Flange & Retainer Nuts (w/GASKET 13807) | 1 Req | 18202     | 15202       | 167      |
| 1997-00 | 4.0L 245ci VIN E       | Converter Outlet, w/Retainer Nuts                                          | 1 Req | 18316     | 316         | 167      |
| 1997-00 | 4.0L 245ci VIN E       | Converter Outlet, w/o Retainer Nuts                                        | 1 Req | 18536     | 18536       | 167      |
| 1997-00 | 4.0L 245ci VIN E       | Converter Outlet, w/ 2-9/16" Split Flange & Retainer Nuts (w/GASKET 13807) | 1 Req | 18202     | 15202       | 167      |

### EXPLORER SPORTS TRAC

| Year    | Engine           | Location                                                                   | Qty.  | ni Number | Item Number | See Page |
|---------|------------------|----------------------------------------------------------------------------|-------|-----------|-------------|----------|
| 2002-05 | 4.0L 245ci VIN E | Converter Outlet, w/Retainer Nuts                                          | 1 Req | 18316     | 316         | 167      |
| 2002-05 | 4.0L 245ci VIN E | Converter Outlet, w/o Retainer Nuts                                        | 1 Req | 18536     | 18536       | 167      |
| 2002-05 | 4.0L 245ci VIN E | Converter Outlet, w/ 2-9/16" Split Flange & Retainer Nuts (w/GASKET 13807) | 1 Req | 18202     | 15202       | 167      |

### RANGER

| Year    | Engine                    | Location                                                                     | Qty.  | ni Number | Item Number | See Page |
|---------|---------------------------|------------------------------------------------------------------------------|-------|-----------|-------------|----------|
| 1986-87 | 2.3L 140ci (DIESEL) VIN E | Converter Outlet, w/Retainer Nuts                                            | 1 Req | 18316     | 316         | 167      |
| 1986-87 | 2.3L 140ci (DIESEL) VIN E | Converter Outlet, w/o Retainer Nuts                                          | 1 Req | 18536     | 18536       | 167      |
| 1986-97 | 2.3L 140ci (GAS) VIN A    | Converter Outlet, w/Retainer Nuts                                            | 1 Req | 18316     | 316         | 167      |
| 1986-97 | 2.3L 140ci (GAS) VIN A    | Converter Outlet, w/o Retainer Nuts                                          | 1 Req | 18536     | 18536       | 167      |
| 1986-87 | 2.3L 140ci (GAS) VIN A    | Converter Outlet, w/ 2-9/16" Split Flange & Retainer Nuts (w/GASKET 13807)   | 1 Req | 18202     | 15202       | 167      |
| 2001-06 | 2.3L 140ci VIN D          | Converter Outlet, w/Retainer Nuts                                            | 1 Req | 18316     | 316         | 167      |
| 2001-06 | 2.3L 140ci VIN D          | Converter Outlet, w/o Retainer Nuts                                          | 1 Req | 18536     | 18536       | 167      |
| 2001-06 | 2.3L 140ci VIN D          | Converter Outlet, w/ 2-9/16" Split Flange & Retainer Nuts (w/GASKET 13807)   | 1 Req | 18202     | 15202       | 167      |
| 1986-92 | 2.9L 177ci VIN T          | Converter Outlet, w/Retainer Nuts                                            | 1 Req | 18316     | 316         | 167      |
| 1986-92 | 2.9L 177ci VIN T          | Converter Outlet, w/o Retainer Nuts                                          | 1 Req | 18536     | 18536       | 167      |
| 1986-92 | 2.9L 177ci VIN T          | Converter Outlet, w/ 2-9/16" Split Flange & Retainer Nuts (w/GASKET 13807)   | 1 Req | 18202     | 15202       | 167      |
| 2001-08 | 4.0L 245ci VIN E          | Converter Outlet, w/Retainer Nuts                                            | 1 Req | 18316     | 316         | 167      |
| 2001-08 | 4.0L 245ci VIN E          | Converter Outlet, w/o Retainer Nuts                                          | 1 Req | 18536     | 18536       | 167      |
| 1991-07 | 4.0L 245ci VIN E          | Converter Outlet, w/Retainer Nuts                                            | 1 Req | 18316     | 316         | 167      |
| 1991-07 | 4.0L 245ci VIN E          | Converter Outlet, w/o Retainer Nuts                                          | 1 Req | 18536     | 18536       | 167      |
| 1991-07 | 4.0L 245ci VIN E          | Converter Outlet, w/2-9/16" ID Split Flange & Retainer Nuts (w/GASKET 13807) | 1 Req | 18202     | 15202       | 167      |

**DESIGN MAKES  
THE DIFFERENCE**

# Flange Mounting Kits Application Information Cont.

## FORD

### TAURUS

| Year    | Engine                 | Location                                                                       | Qty.  | ni Number | Item Number | See Page |
|---------|------------------------|--------------------------------------------------------------------------------|-------|-----------|-------------|----------|
| 1986-90 | 2.5L 153ci VIN D       | Converter Inlet, w/Retainer Nuts                                               | 1 Req | 18316     | 316         | 167      |
| 1986-90 | 2.5L 153ci VIN D       | Converter Inlet, w/o Retainer Nuts                                             | 1 Req | 18536     | 18536       | 167      |
| 1986-90 | 2.5L 153ci VIN D       | Converter Inlet, w/ Split Flange (w/FLANGE 15109)                              | 1 Req | 18203     | 18203       | 167      |
| 1986-90 | 2.5L 153ci VIN D       | Converter Inlet, w/Interlocking Split Flange (w/FLANGE 15195A)                 | 1 Req | 18195     | 195         | 166      |
| 1986-90 | 2.5L 153ci VIN D       | Converter Inlet, w/2-3/8 ID Split Flange (w/GASKET 13743)                      | 1 Req | 18201     | 15201       | 167      |
| 1986-90 | 2.5L 153ci VIN D       | Converter Inlet, w/Interlocking Split Flange (w/GASKET 13743)                  | 1 Req | 18196A    | 196A        | 166      |
| 1986-95 | 3.0L 182ci VIN U       | Converter Inlet, w/Retainer Nuts                                               | 1 Req | 18316     | 316         | 167      |
| 1986-95 | 3.0L 182ci VIN U       | Converter Inlet, w/o Retainer Nuts                                             | 1 Req | 18536     | 18536       | 167      |
| 1986-95 | 3.0L 182ci VIN U       | Converter Inlet, w/ Split Flange (w/FLANGE 15109)                              | 1 Req | 18203     | 18203       | 167      |
| 1986-95 | 3.0L 182ci VIN U       | Converter Inlet, w/Interlocking Split Flange (w/FLANGE 15195A)                 | 1 Req | 18195     | 195         | 166      |
| 1986-95 | 3.0L 182ci VIN U       | Converter Inlet, w/2-9/16" ID Split Flange (w/GASKET 13807)                    | 1 Req | 18202     | 15202       | 167      |
| 1986-95 | 3.0L 182ci VIN U       | Converter Inlet, w/Interlocking Split Flange (w/GASKET 13807)                  | 1 Req | 18537     | 18537       | 168      |
| 1992-95 | 3.0L 182ci VIN Y (SHO) | Converter Outlet w/Fuel Inj., w/Retainer Nuts                                  | 1 Req | 18316     | 316         | 167      |
| 1992-95 | 3.0L 182ci VIN Y (SHO) | Converter Inlet w/Manual Transmission, w/2-9/16" Split Flange (w/GASKET 13807) | 1 Req | 18202     | 15202       | 167      |
| 1992-95 | 3.0L 182ci VIN Y (SHO) | Converter Inlet w/Manual Transmission, w/Interlocking Flange, (w/GASKET 13807) | 1 Req | 18537     | 18537       | 168      |
| 1989-91 | 3.0L 182ci VIN Y (SHO) | Converter Inlet w/2BBL, w/Retainer Nuts                                        | 1 Req | 18316     | 316         | 167      |
| 1989-91 | 3.0L 182ci VIN Y (SHO) | Converter Inlet, w/Interlocking Flange, (w/GASKET 13807)                       | 1 Req | 18537     | 18537       | 168      |
| 1989-91 | 3.0L 182ci VIN Y (SHO) | Converter Inlet, w/2-9/16" ID Split Flange (w/GASKET 13807)                    | 1 Req | 18202     | 15202       | 167      |
| 1991-92 | 3.8L 232ci VIN 4       | Converter Inlet, w/Retainer Nuts                                               | 1 Req | 18316     | 316         | 167      |

### TEMPO

| Year    | Engine                    | Location                                                       | Qty.  | ni Number | Item Number | See Page |
|---------|---------------------------|----------------------------------------------------------------|-------|-----------|-------------|----------|
| 1984-86 | 2.0L 122ci (Diesel) VIN H | Converter Inlet, w/Retainer Nuts                               | 1 Req | 18316     | 316         | 167      |
| 1984-86 | 2.0L 122ci (Diesel) VIN H | Converter Inlet, w/o Retainer Nuts                             | 1 Req | 18536     | 18536       | 167      |
| 1984-86 | 2.0L 122ci (Diesel) VIN H | Converter Inlet, w/ Split Flange (w/FLANGE 15109)              | 1 Req | 18203     | 18203       | 167      |
| 1984-86 | 2.0L 122ci (Diesel) VIN H | Converter Inlet, w/Interlocking Split Flange (w/FLANGE 15195A) | 1 Req | 18195     | 195         | 166      |
| 1984-86 | 2.0L 122ci (Diesel) VIN H | Converter Inlet, w/Interlocking Split Flange (w/GASKET 13743)  | 1 Req | 18196A    | 196A        | 166      |
| 1990-94 | 2.3L 140 ci               | w/2-3/8 ID Split Flange (w/GASKET 13743)                       | 1 Req | 18201     | 15201       | 167      |
| 1985-91 | 2.3L 140ci VIN R, S, X    | Converter Inlet, w/Retainer Nuts                               | 1 Req | 18316     | 316         | 167      |
| 1985-91 | 2.3L 140ci VIN R, S, X    | Converter Inlet w/o Retainer Nuts                              | 1 Req | 18536     | 18536       | 167      |
| 1985-91 | 2.3L 140ci VIN R, S, X    | Converter Inlet, w/ Split Flange (w/FLANGE 15109)              | 1 Req | 18203     | 18203       | 167      |
| 1985-91 | 2.3L 140ci VIN R, S, X    | Converter Inlet, w/Interlocking Split Flange                   | 1 Req | 18195     | 195         | 166      |
| 1985-91 | 2.3L 140ci VIN R, S, X    | Converter Inlet, w/Interlocking Split Flange (w/GASKET 13743)  | 1 Req | 18196A    | 196A        | 166      |

**DESIGN MAKES  
THE DIFFERENCE**

# Flange Mounting Kits Application Information Cont.

## FORD

### THUNDERBIRD

| Year    | Engine           | Location                                      | Qty.  | ni Number | Item Number | See Page |
|---------|------------------|-----------------------------------------------|-------|-----------|-------------|----------|
| 1988    | 5.0L 302ci VIN F | Converter Inlet w/2BBL, w/Retainer Nuts       | 1 Req | 18316     | 316         | 167      |
| 1983-85 | 5.0L 302ci VIN F | Converter Outlet w/Fuel Inj., w/Retainer Nuts | 1 Req | 18316     | 316         | 167      |

## GMC

### C10 PICKUP

| Year    | Engine              | Location                                  | Qty.  | ni Number | Item Number | See Page |
|---------|---------------------|-------------------------------------------|-------|-----------|-------------|----------|
| 1985-86 | 4.3L 262ci VIN N    | Exhaust Pipe, Left Side                   | 1 Req | 18319     | 319         | 169      |
| 1985-86 | 4.3L 262ci VIN N    | Exhaust Pipe, Right Side                  | 1 Req | 18534     | 18534       | 170      |
| 1986    | 5.0L 305ci VIN F, H | Exhaust Pipe, Left Side                   | 1 Req | 18309     | 318         | 168      |
| 1986    | 5.0L 305ci VIN F, H | Exhaust Pipe, Right Side                  | 1 Req | 18319     | 319         | 169      |
| 1986    | 5.0L 305ci VIN F, H | Exhaust Pipe, Left Side (w/GASKET 13841)  | 1 Req | 18318     | 15318       | 169      |
| 1985    | 5.0L 305ci VIN F, H | Exhaust Pipe, Left/Right                  | 1 Req | 18309     | 318         | 168      |
| 1985    | 5.0L 305ci VIN F, H | Exhaust Pipe, Left/Right (w/GASKET 13841) | 1 Req | 18318     | 15318       | 169      |
| 1983-84 | 5.7L 350ci VIN L    | Exhaust Pipe, Right Side                  | 1 Req | 18319     | 319         | 169      |
| 1983-84 | 5.7L 350ci VIN M    | Exhaust Pipe, Right Side                  | 1 Req | 18309     | 318         | 168      |

### C10 SUBURBAN

| Year    | Engine              | Location                                  | Qty.  | ni Number | Item Number | See Page |
|---------|---------------------|-------------------------------------------|-------|-----------|-------------|----------|
| 1986    | 5.0L 305ci VIN F, H | Exhaust Pipe, Left Side                   | 1 Req | 18309     | 318         | 168      |
| 1986    | 5.0L 305ci VIN F, H | Exhaust Pipe, Right Side                  | 1 Req | 18319     | 319         | 169      |
| 1986    | 5.0L 305ci VIN F, H | Exhaust Pipe, Left Side (w/GASKET 13841)  | 1 Req | 18318     | 15318       | 169      |
| 1985    | 5.0L 305ci VIN F, H | Exhaust Pipe, Left/Right                  | 1 Req | 18309     | 318         | 168      |
| 1985    | 5.0L 305ci VIN F, H | Exhaust Pipe, Left/Right (w/GASKET 13841) | 1 Req | 18318     | 15318       | 169      |
| 1983-84 | 5.7L 350ci VIN L    | Exhaust Pipe, Right Side                  | 1 Req | 18319     | 319         | 169      |
| 1985-86 | 5.7L 350ci VIN M    | Exhaust Pipe, Left Side                   | 1 Req | 18305     | 18305       | 168      |
| 1985-86 | 5.7L 350ci VIN M    | Exhaust Pipe, Right Side                  | 1 Req | 18534     | 18534       | 170      |

### C1500 PICKUP

| Year    | Engine              | Location                                  | Qty.  | ni Number | Item Number | See Page |
|---------|---------------------|-------------------------------------------|-------|-----------|-------------|----------|
| 1988-95 | 4.3L 262ci VIN Z    | Exhaust Pipe, Left/Right                  | 1 Req | 18309     | 318         | 168      |
| 1988-95 | 4.3L 262ci VIN Z    | Exhaust Pipe, Left/Right (w/GASKET 13841) | 1 Req | 18318     | 15318       | 169      |
| 1988-95 | 5.0L 305ci VIN H    | Exhaust Pipe, Left/Right                  | 1 Req | 18309     | 318         | 168      |
| 1988-95 | 5.0L 305ci VIN H    | Exhaust Pipe, Left/Right (w/GASKET 13841) | 1 Req | 18318     | 15318       | 169      |
| 1988-95 | 5.7L 350ci VIN K    | Exhaust Pipe, Left/Right                  | 1 Req | 18309     | 318         | 168      |
| 1988-93 | 6.2L 379ci VIN C, J | Exhaust Pipe, Right Side (w/GASKET 13841) | 1 Req | 18318     | 15318       | 169      |
| 1990-93 | 7.4L 454ci VIN N    | Exhaust Pipe, Left/Right                  | 1 Req | 18309     | 318         | 168      |

### C20 PICKUP

| Year    | Engine              | Location                 | Qty.  | ni Number | Item Number | See Page |
|---------|---------------------|--------------------------|-------|-----------|-------------|----------|
| 1985-86 | 4.3L 262ci VIN N    | Exhaust Pipe, Left Side  | 1 Req | 18534     | 18534       | 170      |
| 1985-86 | 4.3L 262ci VIN N    | Exhaust Pipe, Right Side | 1 Req | 18319     | 319         | 169      |
| 1985-86 | 4.8L 292ci VIN T    | Exhaust Pipe             | 1 Req | 18534     | 18534       | 170      |
| 1985-86 | 5.0L 305ci VIN H, L | Exhaust Pipe, Right Side | 1 Req | 18319     | 319         | 169      |

# Flange Mounting Kits Application Information Cont.

## GMC

### C20 PICKUP (continued)

| Year    | Engine              | Location                 | Qty.  | ni Number | Item Number | See Page |
|---------|---------------------|--------------------------|-------|-----------|-------------|----------|
| 1985-86 | 5.7L 350ci VIN L. M | Exhaust Pipe, Right Side | 1 Req | 18319     | 319         | 169      |
| 1985-86 | 7.4L 454ci VIN W    | Exhaust Pipe, Left Side  | 1 Req | 18534     | 18534       | 170      |
| 1985-86 | 7.4L 454ci VIN W    | Exhaust Pipe, Right Side | 1 Req | 18305     | 18305       | 168      |

### C20 SUBURBAN

| Year    | Engine              | Location                 | Qty.  | ni Number | Item Number | See Page |
|---------|---------------------|--------------------------|-------|-----------|-------------|----------|
| 1985-86 | 5.0L 305ci VIN H    | Exhaust Pipe, Right Side | 1 Req | 18319     | 319         | 169      |
| 1985-86 | 5.7L 350ci VIN L. M | Exhaust Pipe, Right Side | 1 Req | 18319     | 319         | 169      |
| 1985-86 | 7.4L 454ci VIN W    | Exhaust Pipe, Left Side  | 1 Req | 18534     | 18534       | 170      |
| 1985-86 | 7.4L 454ci VIN W    | Exhaust Pipe, Right Side | 1 Req | 18305     | 18305       | 168      |

### C2500 PICKUP

| Year    | Engine           | Location                                  | Qty.  | ni Number | Item Number | See Page |
|---------|------------------|-------------------------------------------|-------|-----------|-------------|----------|
| 1988-95 | 4.3L 262ci VIN Z | Exhaust Pipe, Left/Right                  | 1 Req | 18309     | 318         | 168      |
| 1994-95 | 5.0L 305ci VIN H | Exhaust Pipe, Left/Right                  | 1 Req | 18309     | 318         | 168      |
| 1988-91 | 5.0L 305ci VIN H | Exhaust Pipe, Left/Right                  | 1 Req | 18309     | 318         | 168      |
| 1988-95 | 5.7L 350ci VIN K | Exhaust Pipe, Left/Right                  | 1 Req | 18309     | 318         | 168      |
| 1988-93 | 6.2L 379ci VIN C | Exhaust Pipe, Left Side                   | 1 Req | 18309     | 318         | 168      |
| 1988-93 | 6.2L 379ci VIN C | Exhaust Pipe, Right Side (w/GASKET 13841) | 1 Req | 18318     | 15318       | 169      |
| 1989-93 | 6.2L 379ci VIN J | Exhaust Pipe, Left/Right                  | 1 Req | 18309     | 318         | 168      |
| 1994-95 | 6.5L 395ci VIN P | Exhaust Pipe, Left/Right                  | 1 Req | 18309     | 318         | 168      |
| 1991-95 | 7.4L 454ci VIN N | Exhaust Pipe, Left/Right                  | 1 Req | 18309     | 318         | 168      |

### C2500 SUBURBAN

| Year    | Engine           | Location                 | Qty.  | ni Number | Item Number | See Page |
|---------|------------------|--------------------------|-------|-----------|-------------|----------|
| 1992-95 | 5.7L 350ci VIN K | Exhaust Pipe, Left/Right | 1 Req | 18309     | 318         | 168      |
| 1992-95 | 7.4L 454ci VIN N | Exhaust Pipe, Left/Right | 1 Req | 18309     | 318         | 168      |

### C2500 SUBURBAN

| Year    | Engine           | Location                              | Qty.  | ni Number | Item Number | See Page |
|---------|------------------|---------------------------------------|-------|-----------|-------------|----------|
| 1985-86 | 4.8L 292ci VIN T | Exhaust Pipe, Left/Right              | 1 Req | 18534     | 18534       | 170      |
| 1986    | 5.0L 305ci VIN H | Exhaust Pipe, Right Side              | 1 Req | 18319     | 319         | 169      |
| 1985-86 | 5.7L 350ci VIN M | Exhaust Pipe, Right Side, Calif       | 1 Req | 18319     | 319         | 169      |
| 1985-86 | 5.7L 350ci VIN M | Exhaust Pipe, Left Side, Exc. Calif.  | 1 Req | 18534     | 18534       | 170      |
| 1985-86 | 5.7L 350ci VIN M | Exhaust Pipe, Right Side, Exc. Calif. | 1 Req | 18305     | 18305       | 168      |

### CABALLERO

| Year    | Engine           | Location            | Qty.  | ni Number | Item Number | See Page |
|---------|------------------|---------------------|-------|-----------|-------------|----------|
| 1983-84 | 3.8L 231ci VIN A | Exhaust Pipe, Front | 1 Req | 18314     | 18314       | 169      |
| 1983-84 | 5.7L 350ci VIN N | Exhaust Pipe, Front | 1 Req | 18314     | 18314       | 169      |

### G20

| Year    | Engine           | Location                                  | Qty.  | ni Number | Item Number | See Page |
|---------|------------------|-------------------------------------------|-------|-----------|-------------|----------|
| 1994-95 | 6.5L 395ci VIN P | Exhaust Pipe, Left/Right                  | 1 Req | 18309     | 318         | 168      |
| 1994-95 | 6.5L 395ci VIN P | Exhaust Pipe, Right Side (W.GASKET 13841) | 1 Req | 18318     | 15318       | 169      |

### G30

| Year    | Engine           | Location                 | Qty.  | ni Number | Item Number | See Page |
|---------|------------------|--------------------------|-------|-----------|-------------|----------|
| 1994-96 | 6.5L 395ci VIN Y | Exhaust Pipe, Right Side | 1 Req | 18309     | 318         | 168      |

**DESIGN MAKES  
THE DIFFERENCE**

# Flange Mounting Kits Application Information Cont.

## GMC

### JIMMY

| Year    | Engine           | Location                 | Qty.  | ni Number | Item Number | See Page |
|---------|------------------|--------------------------|-------|-----------|-------------|----------|
| 1995    | 4.3L 262ci VIN W | Exhaust Pipe, Left/Right | 1 Req | 18309     | 318         | 168      |
| 1987    | 5.0L 305ci VIN H | Exhaust Pipe, Right Side | 1 Req | 18319     | 319         | 169      |
| 1992-94 | 5.7L 350ci VIN K | Exhaust Pipe, Right Side | 1 Req | 18309     | 318         | 168      |

### K10 PICKUP

| Year    | Engine           | Location                                  | Qty.  | ni Number | Item Number | See Page |
|---------|------------------|-------------------------------------------|-------|-----------|-------------|----------|
| 1985-86 | 4.3L 262ci VIN N | Exhaust Pipe, Left Side                   | 1 Req | 18319     | 319         | 169      |
| 1985-86 | 4.3L 262ci VIN N | Exhaust Pipe, Right Side                  | 1 Req | 18534     | 18534       | 170      |
| 1985-86 | 5.0L 305ci VIN H | Exhaust Pipe, Right Side                  | 1 Req | 18534     | 18534       | 170      |
| 1985-86 | 5.7L 350ci VIN L | Exhaust Pipe, Right Side                  | 1 Req | 18319     | 319         | 169      |
| 1985-86 | 5.7L 350ci VIN M | Exhaust Pipe, Left Side                   | 1 Req | 18305     | 18305       | 168      |
| 1985-86 | 5.7L 350ci VIN M | Exhaust Pipe, Right Side                  | 1 Req | 18534     | 18534       | 170      |
| 1985-86 | 6.2L 379ci VIN C | Exhaust Pipe, Right Side (w/GASKET 13841) | 1 Req | 18538     | 15538       | 170      |

### K10 SUBURBAN

| Year    | Engine              | Location                                  | Qty.  | ni Number | Item Number | See Page |
|---------|---------------------|-------------------------------------------|-------|-----------|-------------|----------|
| 1986    | 5.0L 305ci VIN F, H | Exhaust Pipe, Left Side                   | 1 Req | 18309     | 318         | 168      |
| 1986    | 5.0L 305ci VIN F, H | Exhaust Pipe, Right Side                  | 1 Req | 18319     | 319         | 169      |
| 1985    | 5.0L 305ci VIN F, H | Exhaust Pipe, Left Side (w/GASKET 13841)  | 1 Req | 18318     | 15318       | 169      |
| 1985    | 5.0L 305ci VIN F, H | Exhaust Pipe, Left/Right                  | 1 Req | 18309     | 318         | 168      |
| 1985    | 5.0L 305ci VIN F, H | Exhaust Pipe, Left/Right (w/GASKET 13841) | 1 Req | 18318     | 15318       | 169      |
| 1992-95 | 5.7L 350Ci VIN K    | Exhaust Pipe, Left/Right                  | 1 Req | 18309     | 318         | 168      |
| 1983-84 | 5.7L 350ci VIN L    | Exhaust Pipe, Right Side                  | 1 Req | 18319     | 319         | 169      |
| 1985-86 | 5.7L 350ci VIN M    | Exhaust Pipe, Left Side                   | 1 Req | 18305     | 18305       | 168      |
| 1985-86 | 5.7L 350ci VIN M    | Exhaust Pipe, Right Side                  | 1 Req | 18534     | 18534       | 170      |

### K20 PICKUP

| Year    | Engine              | Location                 | Qty.  | ni Number | Item Number | See Page |
|---------|---------------------|--------------------------|-------|-----------|-------------|----------|
| 1985    | 4.3L 262ci VIN Z    | Exhaust Pipe, Left Side  | 1 Req | 18534     | 18534       | 170      |
| 1985    | 4.3L 262ci VIN Z    | Exhaust Pipe, Right Side | 1 Req | 18319     | 319         | 169      |
| 1985-86 | 4.8L 292ci VIN T    | Exhaust Pipe             | 1 Req | 18534     | 18534       | 170      |
| 1985    | 5.0L 305ci VIN H    | Exhaust Pipe, Right Side | 1 Req | 18319     | 319         | 169      |
| 1985-86 | 5.7L 350ci VIN L, M | Exhaust Pipe, Right Side | 1 Req | 18319     | 319         | 169      |

### K20 SUBURBAN

| Year    | Engine              | Location                 | Qty.  | ni Number | Item Number | See Page |
|---------|---------------------|--------------------------|-------|-----------|-------------|----------|
| 1985-86 | 5.0L 305ci VIN H    | Exhaust Pipe, Right Side | 1 Req | 18319     | 319         | 169      |
| 1985-86 | 5.7L 350ci VIN L, M | Exhaust Pipe, Right Side | 1 Req | 18319     | 319         | 169      |

### K2500 PICKUP

| Year    | Engine              | Location                 | Qty.  | ni Number | Item Number | See Page |
|---------|---------------------|--------------------------|-------|-----------|-------------|----------|
| 1988-95 | 4.3L 262ci VIN Z    | Exhaust Pipe, Left/Right | 1 Req | 18309     | 318         | 168      |
| 1994-95 | 5.0L 305ci VIN H    | Exhaust Pipe, Left/Right | 1 Req | 18309     | 318         | 168      |
| 1988-91 | 5.0L 305ci VIN H    | Exhaust Pipe, Left/Right | 1 Req | 18309     | 318         | 168      |
| 1988-95 | 5.7L 350ci VIN K    | Exhaust Pipe, Left/Right | 1 Req | 18309     | 318         | 168      |
| 1989-93 | 6.2L 379ci VIN C, J | Exhaust Pipe, Left/Right | 1 Req | 18309     | 318         | 168      |
| 1994-95 | 6.5L 395ci VIN P    | Exhaust Pipe, Left/Right | 1 Req | 18309     | 318         | 168      |

# Flange Mounting Kits Application Information Cont.

## GMC

### K2500 PICKUP

| Year    | Engine           | Location                 | Qty.  | ni Number | Item Number | See Page |
|---------|------------------|--------------------------|-------|-----------|-------------|----------|
| 1991-95 | 7.4L 454ci VIN N | Exhaust Pipe, Left/Right | 1 Req | 18309     | 318         | 168      |

### K2500 SUBURBAN

| Year    | Engine           | Location                 | Qty.  | ni Number | Item Number | See Page |
|---------|------------------|--------------------------|-------|-----------|-------------|----------|
| 1992-95 | 5.7L 350ci VIN K | Exhaust Pipe, Left/Right | 1 Req | 18309     | 318         | 168      |
| 1992-95 | 7.4L 454ci VIN N | Exhaust Pipe, Left/Right | 1 Req | 18309     | 318         | 168      |

### K30 PICKUP

| Year    | Engine           | Location                              | Qty.  | ni Number | Item Number | See Page |
|---------|------------------|---------------------------------------|-------|-----------|-------------|----------|
| 1983-86 | 4.8L 292ci VIN T | Exhaust Pipe, Left/Right              | 1 Req | 18534     | 18534       | 170      |
| 1985    | 5.7L 350ci VIN L | Exhaust Pipe, Right Side              | 1 Req | 18534     | 18534       | 170      |
| 1985-86 | 5.7L 350ci VIN M | Exhaust Pipe, Right Side, Calif       | 1 Req | 18319     | 319         | 169      |
| 1985-86 | 5.7L 350ci VIN M | Exhaust Pipe, Left Side, Exc. Calif.  | 1 Req | 18534     | 18534       | 170      |
| 1985-86 | 5.7L 350ci VIN M | Exhaust Pipe, Right Side, Exc. Calif. | 1 Req | 18305     | 18305       | 168      |
| 1983-86 | 7.4L 454ci VIN W | Exhaust Pipe, Left Side               | 1 Req | 18534     | 18534       | 170      |
| 1983-86 | 7.4L 454ci VIN W | Exhaust Pipe, Right Side              | 1 Req | 18305     | 18305       | 168      |

### K3500 PICKUP

| Year    | Engine           | Location                 | Qty.  | ni Number | Item Number | See Page |
|---------|------------------|--------------------------|-------|-----------|-------------|----------|
| 1988-95 | 5.7L 350ci VIN K | Exhaust Pipe, Left/Right | 1 Req | 18309     | 318         | 168      |
| 1988-93 | 6.2L 379ci VIN J | Exhaust Pipe, Left/Right | 1 Req | 18309     | 318         | 168      |
| 1988-95 | 7.4L 454ci VIN N | Exhaust Pipe, Left/Right | 1 Req | 18309     | 318         | 168      |

### P30

| Year    | Engine           | Location                 | Qty.  | ni Number | Item Number | See Page |
|---------|------------------|--------------------------|-------|-----------|-------------|----------|
| 1994-95 | 6.5L 395ci VIN F | Exhaust Pipe, Left/Right | 1 Req | 18309     | 318         | 168      |
| 1990-97 | 7.4L 454ci VIN N | Exhaust Pipe, Left/Right | 1 Req | 18534     | 18534       | 170      |

### R10 PICKUP

| Year | Engine           | Location                                  | Qty.  | ni Number | Item Number | See Page |
|------|------------------|-------------------------------------------|-------|-----------|-------------|----------|
| 1987 | 4.3L 262ci VIN Z | Exhaust Pipe, Left Side                   | 1 Req | 18319     | 319         | 169      |
| 1987 | 4.3L 262ci VIN Z | Exhaust Pipe, Right Side                  | 1 Req | 18534     | 18534       | 170      |
| 1987 | 4.3L 262ci VIN Z | Exhaust Pipe, Right Side (w/GASKET 13841) | 1 Req | 18535     | 18535       | 170      |
| 1987 | 5.0L 305ci VIN H | Exhaust Pipe, Right Side                  | 1 Req | 18319     | 319         | 169      |

### R10 SUBURBAN

| Year | Engine           | Location                 | Qty.  | ni Number | Item Number | See Page |
|------|------------------|--------------------------|-------|-----------|-------------|----------|
| 1987 | 5.0L 305ci VIN H | Exhaust Pipe, Right Side | 1 Req | 18319     | 319         | 169      |

### R20 PICKUP

| Year    | Engine           | Location                                  | Qty.  | ni Number | Item Number | See Page |
|---------|------------------|-------------------------------------------|-------|-----------|-------------|----------|
| 1987    | 4.3L 262ci VIN Z | Exhaust Pipe, Left Side                   | 1 Req | 18319     | 319         | 169      |
| 1987    | 4.3L 262ci VIN Z | Exhaust Pipe, Right Side                  | 1 Req | 18534     | 18534       | 170      |
| 1987    | 4.3L 262ci VIN Z | Exhaust Pipe, Right Side (w/GASKET 13841) | 1 Req | 18535     | 18535       | 170      |
| 1987-88 | 4.8L 292ci VIN T | Exhaust Pipe, Front                       | 1 Req | 18534     | 18534       | 170      |
| 1987-88 | 4.8L 292ci VIN T | Exhaust Pipe, Front (w/GASKET 13841)      | 1 Req | 18535     | 18535       | 170      |
| 1987    | 5.0L 305ci VIN H | Exhaust Pipe, Right Side                  | 1 Req | 18319     | 319         | 169      |

**DESIGN MAKES  
THE DIFFERENCE**



# Flange Mounting Kits Application Information Cont.

## GMC

### R20 SUBURBAN

| Year | Engine           | Location                                  | Qty.  | ni Number | Item Number | See Page |
|------|------------------|-------------------------------------------|-------|-----------|-------------|----------|
| 1988 | 5.7L 350ci VIN K | Exhaust Pipe, Right Side (w/GASKET 13841) | 1 Req | 18535     | 18535       | 170      |
| 1988 | 7.4L 454ci VIN N | Exhaust Pipe, Right Side                  | 1 Req | 18534     | 18534       | 170      |

### R2500 PICKUP

| Year    | Engine           | Location                                  | Qty.  | ni Number | Item Number | See Page |
|---------|------------------|-------------------------------------------|-------|-----------|-------------|----------|
| 1989-91 | 6.2L 379ci VIN J | Exhaust Pipe, Right Side (w/GASKET 13841) | 1 Req | 18535     | 18535       | 170      |

### R2500 SUBURBAN

| Year    | Engine           | Location                 | Qty.  | ni Number | Item Number | See Page |
|---------|------------------|--------------------------|-------|-----------|-------------|----------|
| 1989-91 | 7.4L 454ci VIN N | Exhaust Pipe, Right Side | 1 Req | 18534     | 18534       | 170      |

### R30 PICKUP

| Year    | Engine           | Location                             | Qty.  | ni Number | Item Number | See Page |
|---------|------------------|--------------------------------------|-------|-----------|-------------|----------|
| 1987-88 | 4.8L 292ci VIN T | Exhaust Pipe, Front                  | 1 Req | 18534     | 18534       | 170      |
| 1987-88 | 4.8L 292ci VIN T | Exhaust Pipe, Front (w/GASKET 13841) | 1 Req | 18535     | 18535       | 170      |
| 1987-88 | 5.7L 350ci VIN M | Exhaust Pipe, Right Side             | 1 Req | 18534     | 18534       | 170      |
| 1987-88 | 6.2L 379ci VIN J | Exhaust Pipe, Left/Right             | 1 Req | 18309     | 318         | 168      |
| 1987-88 | 7.4L 454ci VIN N | Exhaust Pipe, Right Side             | 1 Req | 18534     | 18534       | 170      |
| 1987-88 | 7.4L 454ci VIN W | Exhaust Pipe, Left Side              | 1 Req | 18534     | 18534       | 170      |
| 1987-88 | 7.4L 454ci VIN W | Exhaust Pipe, Right Side             | 1 Req | 18305     | 18305       | 168      |

### R3500

| Year    | Engine           | Location                 | Qty.  | ni Number | Item Number | See Page |
|---------|------------------|--------------------------|-------|-----------|-------------|----------|
| 1989-91 | 6.2L 379ci VIN J | Exhaust Pipe, Left/Right | 1 Req | 18534     | 18534       | 170      |
| 1989-91 | 7.4L 454ci VIN N | Exhaust Pipe, Right Side | 1 Req | 18534     | 18534       | 170      |
| 1989    | 7.4L 454ci VIN W | Exhaust Pipe, Left Side  | 1 Req | 18534     | 18534       | 170      |
| 1989    | 7.4L 454ci VIN W | Exhaust Pipe, Right Side | 1 Req | 18305     | 18305       | 168      |
| 1989    | 7.4L 454ci VIN W | Exhaust Pipe, Right Side | 1 Req | 18305     | 18305       | 168      |

### S15 JIMMY

| Year    | Engine              | Location                 | Qty.  | ni Number | Item Number | See Page |
|---------|---------------------|--------------------------|-------|-----------|-------------|----------|
| 1983-84 | 1.9L 119ci VIN A    | Exhaust Pipe, Front      | 1 Req | 18310     | 310         | 169      |
| 1983-84 | 2.0L 122ci VIN Y    | Exhaust Pipe, Front      | 1 Req | 18310     | 310         | 169      |
| 1984    | 2.2L 134ci VIN S    | Exhaust Pipe, Front      | 1 Req | 18310     | 310         | 169      |
| 1985-88 | 2.5L 151ci VIN E    | Exhaust Pipe, Front      | 1 Req | 18310     | 310         | 169      |
| 1983-90 | 2.8L 173ci VIN B, R | Exhaust Pipe, Left/Right | 1 Req | 18310     | 310         | 169      |
| 1991-95 | 4.3L 262ci VIN Z    | Exhaust Pipe, Left/Right | 1 Req | 18309     | 318         | 168      |
| 1992-94 | 4.3L 262ci VIN W    | Exhaust Pipe, Left/Right | 1 Req | 18309     | 318         | 168      |

### SONOMA

| Year    | Engine              | Location                 | Qty.  | ni Number | Item Number | See Page |
|---------|---------------------|--------------------------|-------|-----------|-------------|----------|
| 1982-85 | 1.9L 119ci VIN A    | Exhaust Pipe, Front      | 1 Req | 18310     | 310         | 169      |
| 1983-84 | 2.0L 122ci VIN Y    | Exhaust Pipe, Front      | 1 Req | 18310     | 310         | 169      |
| 1994-95 | 2.2L 134ci VIN 4    | Exhaust Pipe, Front      | 1 Req | 18310     | 310         | 169      |
| 1983-85 | 2.2L 134ci VIN S    | Exhaust Pipe, Front      | 1 Req | 18310     | 310         | 169      |
| 1991-93 | 2.5L 151ci VIN A    | Exhaust Pipe, Front      | 1 Req | 18310     | 310         | 169      |
| 1985-91 | 2.5L 151ci VIN E    | Exhaust Pipe, Front      | 1 Req | 18310     | 310         | 169      |
| 1982-93 | 2.8L 173ci VIN B, R | Exhaust Pipe, Left/Right | 1 Req | 18310     | 310         | 169      |
| 1982-93 | 2.8L 173ci VIN B, R | Exhaust Pipe             | 1 Req | 18305     | 18305       | 168      |

# Flange Mounting Kits Application Information Cont.

## GMC

### SONOMA (continued)

| Year    | Engine           | Location                 | Qty.  | ni Number | Item Number | See Page |
|---------|------------------|--------------------------|-------|-----------|-------------|----------|
| 1994-95 | 4.3L 262ci VIN W | Exhaust Pipe, Left/Right | 1 Req | 18309     | 318         | 168      |
| 1991-95 | 4.3L 262ci VIN Z | Exhaust Pipe, Left/Right | 1 Req | 18309     | 318         | 168      |

### V10 PICKUP

| Year | Engine           | Location                                  | Qty.  | ni Number | Item Number | See Page |
|------|------------------|-------------------------------------------|-------|-----------|-------------|----------|
| 1987 | 4.3L 262ci VIN Z | Exhaust Pipe, Left Side                   | 1 Req | 18319     | 319         | 169      |
| 1987 | 4.3L 262ci VIN Z | Exhaust Pipe, Right Side                  | 1 Req | 18534     | 18534       | 170      |
| 1987 | 4.3L 262ci VIN Z | Exhaust Pipe, Right Side (w/GASKET 13841) | 1 Req | 18535     | 18535       | 170      |
| 1987 | 5.0L 305ci VIN H | Exhaust Pipe, Right Side                  | 1 Req | 18319     | 319         | 169      |
| 1987 | 5.7L 350ci VIN K | Exhaust Pipe, Right Side (w/GASKET 13841) | 1 Req | 18535     | 18535       | 170      |

### V20 PICKUP

| Year    | Engine           | Location                             | Qty.  | ni Number | Item Number | See Page |
|---------|------------------|--------------------------------------|-------|-----------|-------------|----------|
| 1987-88 | 4.8L 292ci VIN T | Exhaust Pipe, Front                  | 1 Req | 18534     | 18534       | 170      |
| 1987-88 | 4.8L 292ci VIN T | Exhaust Pipe, Front (w/GASKET 13841) | 1 Req | 18535     | 18535       | 170      |

### V2500 SUBURBAN

| Year | Engine           | Location                 | Qty.  | ni Number | Item Number | See Page |
|------|------------------|--------------------------|-------|-----------|-------------|----------|
| 1990 | 7.4L 454ci VIN N | Exhaust Pipe, Right Side | 1 Req | 18534     | 18534       | 170      |

### V30 PICKUP

| Year    | Engine           | Location                 | Qty.  | ni Number | Item Number | See Page |
|---------|------------------|--------------------------|-------|-----------|-------------|----------|
| 1987-88 | 4.8L 292ci VIN T | Exhaust Pipe, Front      | 1 Req | 18534     | 18534       | 170      |
| 1987-88 | 5.7L 350Ci VIN M | Exhaust Pipe, Left Side  | 1 Req | 18305     | 18305       | 168      |
| 1987-88 | 5.7L 350Ci VIN M | Exhaust Pipe, Right Side | 1 Req | 18534     | 18534       | 170      |
| 1987-88 | 7.4L 454 VIN N   | Exhaust Pipe, Right Side | 1 Req | 18534     | 18534       | 170      |
| 1987-88 | 7.4L 454ci VIN W | Exhaust Pipe, Left Side  | 1 Req | 18534     | 18534       | 170      |
| 1987-88 | 7.4L 454ci VIN W | Exhaust Pipe, Right Side | 1 Req | 18305     | 18305       | 168      |

### V3500 PICKUP

| Year    | Engine           | Location                 | Qty.  | ni Number | Item Number | See Page |
|---------|------------------|--------------------------|-------|-----------|-------------|----------|
| 1989-91 | 7.4L 454 VIN N   | Exhaust Pipe, Right Side | 1 Req | 18534     | 18534       | 170      |
| 1989    | 7.4L 454ci VIN W | Exhaust Pipe, Left Side  | 1 Req | 18534     | 18534       | 170      |
| 1989    | 7.4L 454ci VIN W | Exhaust Pipe, Right Side | 1 Req | 18305     | 18305       | 168      |

### YUKON

| Year | Engine           | Location                 | Qty.  | ni Number | Item Number | See Page |
|------|------------------|--------------------------|-------|-----------|-------------|----------|
| 1995 | 5.7L 350ci VIN K | Exhaust Pipe, Left/Right | 1 Req | 18309     | 318         | 168      |

## HONDA

### ACCORD

| Year    | Engine                    | Location         | Qty.  | ni Number | Item Number | See Page |
|---------|---------------------------|------------------|-------|-----------|-------------|----------|
| 1994-97 | 2.2L, 2156cc F22B1, F22B2 | Converter Inlet  | 1 Req | 18317     | 317         | 170      |
| 1994-97 | 2.2L, 2156cc F22B1, F22B2 | Converter Outlet | 1 Req | 18317     | 317         | 170      |
| 1994-97 | 2.2L, 2156cc F22B1, F22B2 | Muffler Inlet    | 1 Req | 18317     | 317         | 170      |

**DESIGN MAKES  
THE DIFFERENCE**

# Flange Mounting Kits Application Information Cont.

## HONDA

### CIVIC

| Year    | Engine                     | Location           | Qty.  | ni Number | Item Number | See Page |
|---------|----------------------------|--------------------|-------|-----------|-------------|----------|
| 1984-87 | 1.3L, 1342cc (Exc. HYBRID) | Exhaust Pipe, Rear | 1 Req | 18317     | 317         | 170      |
| 1992-95 | 1.5L, 1493cc D15B7         | Exhaust Pipe       | 1 Req | 18317     | 317         | 170      |
| 1980-89 | 1.5L, 1493cc               | Exhaust Pipe       | 1 Req | 18317     | 317         | 170      |

### CR-V

| Year    | Engine            | Location               | Qty.  | ni Number | Item Number | See Page |
|---------|-------------------|------------------------|-------|-----------|-------------|----------|
| 1997-98 | 2.1L 1972cc B20B4 | Inline Converter Inlet | 1 Req | 18317     | 317         | 170      |
| 1999-01 | 2.1L 1972cc B20Z2 | Inline Converter Inlet | 1 Req | 18317     | 317         | 170      |

### ODYSSEY

| Year    | Engine            | Location               | Qty.  | ni Number | Item Number | See Page |
|---------|-------------------|------------------------|-------|-----------|-------------|----------|
| 1995-97 | 2.2L 2156cc F22B6 | Inline Converter Inlet | 2 Req | 18317     | 317         | 170      |
| 1995-97 | 2.2L 2156cc F22B6 | 1st Muffler Inlet      | 2 Req | 18317     | 317         | 170      |
| 1998    | 2.3L 2234cc F23A7 | Inline Converter Inlet | 2 Req | 18317     | 317         | 170      |
| 1998    | 2.3L 2234cc F23A7 | 1st Muffler Inlet      | 2 Req | 18317     | 317         | 170      |

### WAGOVAN

| Year    | Engine                  | Location             | Qty.  | ni Number | Item Number | See Page |
|---------|-------------------------|----------------------|-------|-----------|-------------|----------|
| 1984-87 | 1.5L, 1487cc D15A2, EW1 | Exhaust Pipe, Outlet | 1 Req | 18317     | 317         | 170      |

## MAZDA

### 323

| Year    | Engine       | Location                                 | Qty. | ni Number | Item Number | See Page |
|---------|--------------|------------------------------------------|------|-----------|-------------|----------|
| 1986-89 | 1.6L 1597 ci | w/2-3/8 ID Split Flange (w/GASKET 13743) |      | 18201     | 15201       | 170      |

### 626

| Year    | Engine                  | Location                                 | Qty. | ni Number | Item Number | See Page |
|---------|-------------------------|------------------------------------------|------|-----------|-------------|----------|
| 1988-92 | 2.2L 2184 ci Exc. Turbo | w/2-3/8 ID Split Flange (w/GASKET 13743) |      | 18201     | 15201       | 170      |

### B2300

| Year    | Engine                    | Location                       | Qty.  | ni Number | Item Number | See Page |
|---------|---------------------------|--------------------------------|-------|-----------|-------------|----------|
| 1994-08 | 2.3L 2294cc 2295cc 2300cc | Muffler Inlet, w/Retainer Nuts | 1 Req | 18316     | 316         | 171      |

### B2500

| Year    | Engine      | Location                       | Qty.  | ni Number | Item Number | See Page |
|---------|-------------|--------------------------------|-------|-----------|-------------|----------|
| 1998-01 | 2.5L 2492cc | Muffler Inlet, w/Retainer Nuts | 1 Req | 18316     | 316         | 171      |

### B3000

| Year    | Engine             | Location                                               | Qty.  | ni Number | Item Number | See Page |
|---------|--------------------|--------------------------------------------------------|-------|-----------|-------------|----------|
| 1994-07 | 3.0L 2954cc 2983cc | Muffler Inlet, w/Retainer Nuts                         | 1 Req | 18316     | 316         | 171      |
| 1994-07 | 3.0L 2954cc 2983cc | Muffler Inlet, w/2-9/16" Split Flange (w/GASKET 13807) | 1 Req | 18202     | 15202       | 170      |

### B4000

| Year    | Engine      | Location                                               | Qty.  | ni Number | Item Number | See Page |
|---------|-------------|--------------------------------------------------------|-------|-----------|-------------|----------|
| 1994-08 | 4.0L 4016cc | Muffler Inlet, w/Retainer Nuts                         | 1 Req | 18316     | 316         | 171      |
| 1994-08 | 4.0L 4016cc | Muffler Inlet, w/2-9/16" Split Flange (w/GASKET 13807) | 1 Req | 18202     | 15202       | 170      |

# Flange Mounting Kits Application Information Cont.

## MAZDA

### MX6

| Year    | Engine                  | Location                                 | Qty. | ni Number | Item Number | See Page |
|---------|-------------------------|------------------------------------------|------|-----------|-------------|----------|
| 1988-92 | 2.2L 2184 ci Exc. Turbo | w/2-3/8 ID Split Flange (w/GASKET 13743) |      | 18201     | 15201       | 170      |

### NAVAJO

| Year    | Engine      | Location                                               | Qty.  | ni Number | Item Number | See Page |
|---------|-------------|--------------------------------------------------------|-------|-----------|-------------|----------|
| 1991-94 | 4.0L 4016cc | Muffler Inlet, w/Retainer Nuts                         | 1 Req | 18316     | 316         | 171      |
| 1991-94 | 4.0L 4016cc | Muffler Inlet, w/2-9/16" Split Flange (w/GASKET 13807) | 1 Req | 18202     | 15202       | 170      |

## MERCURY

### LNZ

| Year    | Engine                  | Location                                                      | Qty.  | ni Number | Item Number | See Page |
|---------|-------------------------|---------------------------------------------------------------|-------|-----------|-------------|----------|
| 1982-83 | 1.6L 1598cc VIN 2, 4, 5 | Converter Inlet, w/Retainer Nuts                              | 1 Req | 18316     | 316         | 167      |
| 1982-83 | 1.6L 1598cc VIN 2, 4, 5 | Converter Inlet w/o Retainer Nuts                             | 1 Req | 18536     | 18536       | 167      |
| 1982-83 | 1.6L 1598cc VIN 2, 4, 5 | Converter Inlet, w/ Split Flange (w/FLANGE 15109)             | 1 Req | 18203     | 18203       | 167      |
| 1982-83 | 1.6L 1598cc VIN 2, 4, 5 | Converter Inlet, w/Interlocking Split Flange 15195A           | 1 Req | 18195     | 195         | 166      |
| 1982-83 | 1.6L 1598cc VIN 2, 4, 5 | Converter Inlet, w/Interlocking Split Flange (w/GASKET 13743) | 1 Req | 18196A    | 196A        | 166      |

### LYNX

| Year    | Engine                    | Location                                                              | Qty.  | ni Number | Item Number | See Page |
|---------|---------------------------|-----------------------------------------------------------------------|-------|-----------|-------------|----------|
| 1982-85 | 1.6L 1598cc VIN 2, 4, 5   | Converter Inlet, w/Retainer Nuts                                      | 1 Req | 18316     | 316         | 167      |
| 1982-85 | 1.6L 1598cc VIN 2, 4, 5   | Converter Inlet w/o Retainer Nuts                                     | 1 Req | 18536     | 18536       | 167      |
| 1982-85 | 1.6L 1598cc VIN 2, 4, 5   | Converter Inlet, w/ Split Flange (w/FLANGE 15109)                     | 1 Req | 18203     | 18203       | 167      |
| 1982-85 | 1.6L 1598cc VIN 2, 4, 5   | Converter Inlet, w/Interlocking Split Flange 15195A                   | 1 Req | 18195     | 195         | 166      |
| 1982-85 | 1.6L 1598cc VIN 2, 4, 5   | Converter Inlet, w/Interlocking Split Flange (w/GASKET 13743)         | 1 Req | 18196A    | 196A        | 166      |
| 1985-90 | 1.9L 116ci VIN J, 9       | Converter Inlet w/2BBL, w/Retainer Nuts                               | 1 Req | 18316     | 316         | 167      |
| 1985-90 | 1.9L 116ci VIN J, 9       | Converter Outlet w/Fuel Inj., w/Retainer Nuts                         | 1 Req | 18316     | 316         | 167      |
| 1985-90 | 1.9L 116ci VIN J, 9       | Converter Inlet, w/2BBL w/o Retainer Nuts                             | 1 Req | 18536     | 18536       | 167      |
| 1985-90 | 1.9L 116ci VIN J, 9       | Converter Inlet, w/Fuel Inj. w/o Retainer Nuts                        | 1 Req | 18536     | 18536       | 167      |
| 1985-90 | 1.9L 116ci VIN J, 9       | Converter Inlet w/2BBL, w/Split Flange (w/FLANGE 15109)               | 1 Req | 18203     | 18203       | 167      |
| 1985-90 | 1.9L 116ci VIN J, 9       | Converter Inlet w/2BBL, w/Interlocking Split Flange 15195A            | 1 Req | 18195     | 195         | 166      |
| 1985-90 | 1.9L 116ci VIN J, 9       | Converter Outlet w/ Fuel Inj., w/ Split Flange (w/FLANGE 15109)       | 1 Req | 18203     | 18203       | 167      |
| 1985-90 | 1.9L 116ci VIN J, 9       | Converter Outlet w/ Fuel Inj., w/Interlocking Split Flange 15195A     | 1 Req | 18195     | 195         | 166      |
| 1985-90 | 1.9L 116ci VIN J, 9       | Converter Inlet w/2BBL, w/Interlocking Split Flange (W/13743 GASKET)  | 1 Req | 18196A    | 196A        | 166      |
| 1985-90 | 1.9L 116ci VIN J, 9       | Converter Outlet w/2BBL, w/Interlocking Split Flange (w/13743 GASKET) | 1 Req | 18196A    | 196A        | 166      |
| 1984-87 | 2.0L 122ci (Diesel) VIN H | Converter Inlet, w/Retainer Nuts                                      | 1 Req | 18316     | 316         | 167      |
| 1984-87 | 2.0L 122ci (Diesel) VIN H | Converter Inlet w/o Retainer Nuts                                     | 1 Req | 18536     | 18536       | 167      |
| 1984-87 | 2.0L 122ci (Diesel) VIN H | Converter Inlet w/Split Flange (w/FLANGE 15109)                       | 1 Req | 18203     | 18203       | 167      |

# Flange Mounting Kits Application Information Cont.

## MERCURY

### LYNX (continued)

| Year    | Engine                    | Location                                                      | Qty.  | ni Number | Item Number | See Page |
|---------|---------------------------|---------------------------------------------------------------|-------|-----------|-------------|----------|
| 1984-87 | 2.0L 122ci (Diesel) VIN H | Converter Inlet, w/Interlocking Split Flange 15195A           | 1 Req | 18195     | 195         | 166      |
| 1984-87 | 2.0L 122ci (Diesel) VIN H | Converter Inlet, w/Interlocking Split Flange (w/GASKET 13743) | 1 Req | 18196A    | 196A        | 166      |

### MARINER

| Year    | Engine           | Location                                                                   | Qty.  | ni Number | Item Number | See Page |
|---------|------------------|----------------------------------------------------------------------------|-------|-----------|-------------|----------|
| 1998-00 | 4.0L 245ci VIN E | Muffler Inlet, w/Retainer Nuts                                             | 1 Req | 18316     | 316         | 167      |
| 1998-00 | 4.0L 245ci VIN E | Converter Outlet, w/ 2-9/16" Split Flange & Retainer Nuts (w/GASKET 13807) | 1 Req | 18202     | 15202       | 167      |

### SABLE

| Year    | Engine           | Location                                                      | Qty.  | ni Number | Item Number | See Page |
|---------|------------------|---------------------------------------------------------------|-------|-----------|-------------|----------|
| 1986    | 2.5L 153ci VIN D | Converter Inlet, w/Retainer Nuts                              | 1 Req | 18316     | 316         | 167      |
| 1986    | 2.5L 153ci VIN D | Converter Inlet w/o Retainer Nuts                             | 1 Req | 18536     | 18536       | 167      |
| 1986    | 2.5L 153ci VIN D | Converter Inlet w/Split Flange (w/FLANGE 15109)               | 1 Req | 18203     | 18203       | 167      |
| 1986    | 2.5L 153ci VIN D | Converter Inlet, w/Interlocking Split Flange 15195A           | 1 Req | 18195     | 195         | 166      |
| 1986    | 2.5L 153ci VIN D | Converter Inlet, w/Interlocking Split Flange (w/GASKET 13743) | 1 Req | 18196A    | 196A        | 166      |
| 1986    | 2.5L 153 ci      | w/2-3/8 ID Split Flange (w/GASKET 13743)                      | 1 Req | 18201     | 15201       | 167      |
| 1986-95 | 3.0L 182ci VIN U | Converter Inlet, w/Retainer Nuts                              | 1 Req | 18316     | 316         | 167      |
| 1986-95 | 3.0L 182ci VIN U | Converter Inlet, w/o Retainer Nuts                            | 1 Req | 18536     | 18536       | 167      |
| 1986-95 | 3.0L 182ci VIN U | Converter Inlet w/Split Flange (w/FLANGE 15109)               | 1 Req | 18203     | 18203       | 167      |
| 1986-95 | 3.0L 182ci VIN U | Converter Inlet, w/Interlocking Split Flange 15195A           | 1 Req | 18195     | 195         | 166      |
| 1986-95 | 3.0L 182ci VIN U | Converter Inlet, w/Interlocking Split Flange (w/GASKET 13807) | 1 Req | 18537     | 18537       | 168      |
| 1986-95 | 3.0L 182ci VIN U | Converter Inlet, w/2-9/16" Split Flange (w/GASKET 13807)      | 1 Req | 18202     | 15202       | 167      |
| 1991-92 | 3.8L 232ci VIN 4 | Converter Inlet, w/Retainer Nuts                              | 1 Req | 18316     | 316         | 167      |

### TOPAZ

| Year    | Engine                    | Location                                                      | Qty.  | ni Number | Item Number | See Page |
|---------|---------------------------|---------------------------------------------------------------|-------|-----------|-------------|----------|
| 1984-86 | 2.0L 122ci (Diesel) VIN H | Converter Inlet, w/Retainer Nuts                              | 1 Req | 18316     | 316         | 167      |
| 1984-86 | 2.0L 122ci (Diesel) VIN H | Converter Inlet, w/o Retainer Nuts                            | 1 Req | 18536     | 18536       | 167      |
| 1984-86 | 2.0L 122ci (Diesel) VIN H | Converter Inlet w/Split Flange (w/FLANGE 15109)               | 1 Req | 18203     | 18203       | 167      |
| 1984-86 | 2.0L 122ci (Diesel) VIN H | Converter Inlet, w/Interlocking Split Flange 15195A           | 1 Req | 18195     | 195         | 166      |
| 1984-86 | 2.0L 122ci (Diesel) VIN H | Converter Inlet, w/Interlocking Split Flange (w/GASKET 13743) | 1 Req | 18196A    | 196A        | 166      |
| 1984-91 | 2.3L 140ci VIN R, S, X    | Converter Inlet, w/Retainer Nuts                              | 1 Req | 18316     | 316         | 167      |
| 1984-91 | 2.3L 140ci VIN R, S, X    | Converter Inlet, w/o Retainer Nuts                            | 1 Req | 18536     | 18536       | 167      |
| 1984-91 | 2.3L 140ci VIN R, S, X    | Converter Inlet w/Split Flange (w/FLANGE 15109)               | 1 Req | 18203     | 18203       | 167      |
| 1984-91 | 2.3L 140ci VIN R, S, X    | Converter Inlet, w/Interlocking Split Flange 15195A           | 1 Req | 18195     | 195         | 166      |

**DESIGN MAKES  
THE DIFFERENCE**

# Flange Mounting Kits Application Information Cont.

## MERCURY

### TOPAZ (continued)

| Year    | Engine                 | Location                                                      | Qty.  | ni Number | Item Number | See Page |
|---------|------------------------|---------------------------------------------------------------|-------|-----------|-------------|----------|
| 1984-91 | 2.3L 140ci VIN R, S, X | Converter Inlet, w/Interlocking Split Flange (w/GASKET 13743) | 1 Req | 18196A    | 196A        | 166      |
| 1984-91 | 2.3L 140 ci            | w/2-3/8 ID Split Flange (w/GASKET 13743)                      | 1 Req | 18201     | 15201       | 167      |

## OLDSMOBILE

### CUTLASS CIERA

| Year    | Engine              | Location            | Qty.  | ni Number | Item Number | See Page |
|---------|---------------------|---------------------|-------|-----------|-------------|----------|
| 1982-83 | 2.5L 151ci VIN 5, R | Exhaust Pipe, Front | 1 Req | 18313     | 313         | 169      |
| 1986-89 | 2.8L 173ci VIN W    | Exhaust Pipe, Front | 1 Req | 18313     | 313         | 169      |
| 1994-96 | 3.1L 189ci VIN M    | Exhaust Pipe, Front | 1 Req | 18310     | 310         | 169      |
| 1989-93 | 3.3L 204ci VIN N    | Exhaust Pipe, Front | 1 Req | 18310     | 310         | 169      |
| 1984-88 | 3.8L 231ci VIN 3    | Exhaust Pipe, Front | 1 Req | 18310     | 310         | 169      |

### CUTLASS CUSTOM CRUISER

| Year    | Engine           | Location            | Qty.  | ni Number | Item Number | See Page |
|---------|------------------|---------------------|-------|-----------|-------------|----------|
| 1987-90 | 2.5L 151ci VIN R | Exhaust Pipe, Front | 1 Req | 18310     | 310         | 169      |
| 1987-89 | 2.8L 173ci VIN W | Exhaust Pipe, Front | 1 Req | 18313     | 313         | 169      |
| 1994    | 3.1L 189ci VIN M | Exhaust Pipe, Front | 1 Req | 18310     | 310         | 169      |
| 1992-93 | 3.3L 204ci VIN N | Exhaust Pipe, Front | 1 Req | 18310     | 310         | 169      |
| 1989-90 | 3.3L 204ci VIN N | Exhaust Pipe, Front | 1 Req | 18310     | 310         | 169      |
| 1987-88 | 3.8L 231ci VIN 3 | Exhaust Pipe, Front | 1 Req | 18310     | 310         | 169      |
| 1981-83 | 5.0L 307ci VIN Y | Exhaust Pipe, Front | 1 Req | 18314     | 18314       | 169      |

### CUTLASS SALON

| Year    | Engine           | Location                      | Qty.  | ni Number | Item Number | See Page |
|---------|------------------|-------------------------------|-------|-----------|-------------|----------|
| 1985-87 | 3.8L 231ci VIN A | Exhaust Pipe, Front           | 1 Req | 18313     | 313         | 169      |
| 1980    | 5.0L 305ci VIN H | Exhaust Pipe, Front           | 1 Req | 18313     | 313         | 169      |
| 1980-81 | 5.0L 307ci VIN 9 | Exhaust Pipe, Front           | 1 Req | 18314     | 18314       | 169      |
| 1986-87 | 5.0L 307ci VIN Y | Exhaust Pipe, Front           | 1 Req | 18314     | 18314       | 169      |
| 1985    | 5.0L 307ci VIN Y | Exhaust Pipe, Front, Exc. 442 | 1 Req | 18314     | 18314       | 169      |

### CUTLASS SUPREME

| Year    | Engine              | Location            | Qty.  | ni Number | Item Number | See Page |
|---------|---------------------|---------------------|-------|-----------|-------------|----------|
| 1990-91 | 2.3L 138ci VIN A, D | Exhaust Pipe, Front | 1 Req | 18313     | 313         | 169      |
| 1988-89 | 2.8L 173ci VIN W    | Exhaust Pipe, Front | 1 Req | 18310     | 310         | 169      |
| 1989-97 | 3.1L 189ci VIN M, T | Exhaust Pipe, Front | 1 Req | 18310     | 310         | 169      |
| 1991-96 | 3.4L 207ci VIN X    | Exhaust Pipe, Front | 1 Req | 18310     | 310         | 169      |
| 1981-87 | 3.8L 231ci VIN A    | Exhaust Pipe, Front | 1 Req | 18310     | 310         | 169      |
| 1982-84 | 4.3L 260ci VIN V    | Exhaust Pipe, Front | 1 Req | 18310     | 310         | 169      |
| 1982    | 4.3L 260ci VIN 8    | Exhaust Pipe, Front | 1 Req | 18314     | 18314       | 169      |
| 1982    | 4.4L 267ci VIN J    | Exhaust Pipe, Front | 1 Req | 18314     | 18314       | 169      |
| 1987    | 5.0L 307ci VIN 9    | Exhaust Pipe, Front | 1 Req | 18311     | 311         | 169      |
| 1984    | 5.0L 307ci VIN 9    | Exhaust Pipe, Front | 1 Req | 18311     | 311         | 169      |
| 1984-88 | 5.0L 307ci VIN Y    | Exhaust Pipe, Front | 1 Req | 18314     | 18314       | 169      |

### DELTA 88

| Year    | Engine              | Location            | Qty.  | ni Number | Item Number | See Page |
|---------|---------------------|---------------------|-------|-----------|-------------|----------|
| 1986    | 3.0L 181ci VIN L    | Exhaust Pipe, Front | 1 Req | 18313     | 313         | 169      |
| 1986-91 | 3.8L 231ci VIN 3, 6 | Exhaust Pipe, Front | 1 Req | 18313     | 313         | 169      |
| 1982-85 | 5.0L 307ci VIN Y    | Exhaust Pipe, Front | 1 Req | 18311     | 311         | 169      |

**DESIGN MAKES  
THE DIFFERENCE**

# Flange Mounting Kits Application Information Cont.

## OLDSMOBILE

### FIRENZA

| Year    | Engine                    | Location            | Qty.  | ni Number | Item Number | See Page |
|---------|---------------------------|---------------------|-------|-----------|-------------|----------|
| 1982-86 | 1.8L 112ci VIN 0, G       | Exhaust Pipe, Front | 1 Req | 18313     | 313         | 169      |
| 1983-88 | 2.0L 121ci VIN 1, B, K, P | Exhaust Pipe, Front | 1 Req | 18313     | 313         | 169      |
| 1985-86 | 2.8L 173ci VIN W          | Exhaust Pipe, Front | 1 Req | 18313     | 313         | 169      |

### LSS

| Year    | Engine           | Location            | Qty.  | ni Number | Item Number | See Page |
|---------|------------------|---------------------|-------|-----------|-------------|----------|
| 1982-84 | 2.5L 151ci VIN R | Exhaust Pipe, Front | 1 Req | 18310     | 310         | 169      |

### OMEGA

| Year    | Engine              | Location            | Qty.  | ni Number | Item Number | See Page |
|---------|---------------------|---------------------|-------|-----------|-------------|----------|
| 1981-84 | 2.8L 173ci VIN X, Z | Exhaust Pipe, Front | 1 Req | 18310     | 310         | 169      |

### TORONADO

| Year    | Engine                    | Location            | Qty.  | ni Number | Item Number | See Page |
|---------|---------------------------|---------------------|-------|-----------|-------------|----------|
| 1986-92 | 3.8L 231ci VIN 3, B, C, L | Exhaust Pipe, Front | 1 Req | 18310     | 310         | 169      |
| 1980-85 | 5.0L 307ci VIN Y          | Exhaust Pipe, Front | 1 Req | 18311     | 311         | 169      |

## PLYMOUTH

### ACCLAIM

| Year    | Engine                    | Location                                         | Qty.  | ni Number | Item Number | See Page |
|---------|---------------------------|--------------------------------------------------|-------|-----------|-------------|----------|
| 1989-95 | 2.5L 153ci VIN D, J, K, V | Exhaust Pipe, Front, w/Retainer Nuts             | 1 Req | 18539     | 18539       | 166      |
| 1989-95 | 2.5L 153ci VIN D, J, K, V | Exhaust Pipe, Front w/o Retainer Nuts            | 1 Req | 18194     | 194         | 166      |
| 1989-95 | 2.5L 153ci VIN D, J, K, V | Exhaust Pipe, Front, w/Interlocking Split Flange | 1 Req | 18192     | 192         | 166      |
| 1989-95 | 3.0L 181ci VIN 3          | Exhaust Pipe, w/o Retainer Nuts                  | 1 Req | 18194     | 194         | 166      |
| 1989-95 | 3.0L 181ci VIN 3          | Exhaust Pipe, Front, w/Retainer Nuts             | 1 Req | 18539     | 18539       | 166      |

### BREEZE

| Year    | Engine           | Location                               | Qty.  | ni Number | Item Number | See Page |
|---------|------------------|----------------------------------------|-------|-----------|-------------|----------|
| 1996-97 | 2.0L 122ci VIN C | Exhaust Pipe, Front, w/ Retainer Nuts  | 1 Req | 18539     | 18539       | 166      |
| 1996-97 | 2.0L 122ci VIN C | Exhaust Pipe, Front, w/o Retainer Nuts | 1 Req | 18194     | 194         | 166      |

### CARAVELLE

| Year    | Engine                    | Location                                         | Qty.  | ni Number | Item Number | See Page |
|---------|---------------------------|--------------------------------------------------|-------|-----------|-------------|----------|
| 1983-88 | 2.2L 135ci VIN C, D, E, K | Exhaust Pipe, Front, w/Retainer Nuts             | 1 Req | 18539     | 18539       | 166      |
| 1983-88 | 2.2L 135ci VIN C, D, E, K | Exhaust Pipe, Front, w/o Retainer Nuts           | 1 Req | 18194     | 194         | 166      |
| 1983-88 | 2.2L 135ci VIN C, D, E, K | Exhaust Pipe, Front, w/Interlocking Split Flange | 1 Req | 18192     | 192         | 166      |
| 1983-85 | 2.6L 156ci VIN 7, G       | Exhaust Pipe, Front, w/Retainer Nuts             | 1 Req | 18539     | 18539       | 166      |
| 1983-85 | 2.6L 156ci VIN 7, G       | Exhaust Pipe, Front, w/o Retainer Nuts           | 1 Req | 18194     | 194         | 166      |
| 1983-85 | 2.6L 156ci VIN 7, G       | Exhaust Pipe, Front, w/Interlocking Split Flange | 1 Req | 18192     | 192         | 166      |

### GRAND VOYAGER

| Year    | Engine           | Location                                     | Qty.  | ni Number | Item Number | See Page |
|---------|------------------|----------------------------------------------|-------|-----------|-------------|----------|
| 1988    | 2.5L 153ci VIN K | Converter Inlet, w/Retainer Nuts             | 1 Req | 18539     | 18539       | 166      |
| 1988    | 2.5L 153ci VIN K | Converter Outlet, w/o Retainer Nuts          | 1 Req | 18194     | 194         | 166      |
| 1988    | 2.5L 153ci VIN K | Converter Inlet, w/Interlocking Split Flange | 1 Req | 18192     | 192         | 166      |
| 1988-95 | 3.0L 181ci VIN 3 | Converter Inlet, w/Retainer Nuts             | 1 Req | 18539     | 18539       | 166      |

# Flange Mounting Kits Application Information Cont.

## PLYMOUTH

### GRAND VOYAGER (continued)

| Year    | Engine           | Location                            | Qty.  | ni Number | Item Number | See Page |
|---------|------------------|-------------------------------------|-------|-----------|-------------|----------|
| 1988-95 | 3.0L 181ci VIN 3 | Converter Outlet, w/o Retainer Nuts | 1 Req | 18194     | 194         | 166      |
| 1990-95 | 3.3L 201ci VIN R | Converter Inlet, w/Retainer Nuts    | 1 Req | 18539     | 18539       | 166      |
| 1990-95 | 3.3L 201ci VIN R | Converter Inlet, w/o Retainer Nuts  | 1 Req | 18194     | 194         | 166      |
| 1994-95 | 3.8L 230ci VIN L | Converter Inlet, w/Retainer Nuts    | 1 Req | 18539     | 18539       | 166      |
| 1994-95 | 3.8L 230ci VIN L | Converter Inlet, w/o Retainer Nuts  | 1 Req | 18194     | 194         | 166      |

### HORIZON

| Year    | Engine                      | Location                                         | Qty.  | ni Number | Item Number | See Page |
|---------|-----------------------------|--------------------------------------------------|-------|-----------|-------------|----------|
| 1983-86 | 1.6L 98ci (1595cc) VIN A, 3 | Exhaust Pipe, Front, w/Retainer Nuts             | 1 Req | 18539     | 18539       | 166      |
| 1983-86 | 1.6L 98ci (1595cc) VIN A, 3 | Exhaust Pipe, Front, w/o Retainer Nuts           | 1 Req | 18194     | 194         | 166      |
| 1983-86 | 1.6L 98ci (1595cc) VIN A, 3 | Exhaust Pipe, Front, w/Interlocking Split Flange | 1 Req | 18192     | 192         | 166      |
| 1981-83 | 1.7L 105ci VIN A, B         | Exhaust Pipe, Front, w/Retainer Nuts             | 1 Req | 18539     | 18539       | 166      |
| 1981-83 | 1.7L 105ci VIN A, B         | Exhaust Pipe, Front, w/o Retainer Nuts           | 1 Req | 18194     | 194         | 166      |
| 1981-83 | 1.7L 105ci VIN A, B         | Exhaust Pipe, Front, w/Interlocking Split Flange | 1 Req | 18192     | 192         | 166      |
| 1981-90 | 2.2L 135ci i VIN B, C, D, 8 | Exhaust Pipe, Front, w/Retainer Nuts             | 1 Req | 18539     | 18539       | 166      |
| 1981-90 | 2.2L 135ci i VIN B, C, D, 8 | Exhaust Pipe, Front, w/o Retainer Nuts           | 1 Req | 18194     | 194         | 166      |
| 1981-90 | 2.2L 135ci i VIN B, C, D, 8 | Exhaust Pipe, Front, w/Interlocking Split Flange | 1 Req | 18192     | 192         | 166      |

### NEON

| Year    | Engine              | Location            | Qty.  | ni Number | Item Number | See Page |
|---------|---------------------|---------------------|-------|-----------|-------------|----------|
| 1995-99 | 2.0L 122ci VIN C, Y | Exhaust Pipe, Front | 1 Req | 18194     | 194         | 166      |
| 1995-99 | 2.0L 122ci VIN C, Y | Exhaust Pipe, Front | 1 Req | 18539     | 18539       | 166      |

### RELIANT

| Year    | Engine                 | Location                                         | Qty.  | ni Number | Item Number | See Page |
|---------|------------------------|--------------------------------------------------|-------|-----------|-------------|----------|
| 1981-89 | 2.2L 135ci VIN B, C, D | Exhaust Pipe, Front, w/Retainer Nuts             | 1 Req | 18539     | 18539       | 166      |
| 1981-89 | 2.2L 135ci VIN B, C, D | Exhaust Pipe, Front, w/o Retainer Nuts           | 1 Req | 18194     | 194         | 166      |
| 1981-89 | 2.2L 135ci VIN B, C, D | Exhaust Pipe, Front, w/Interlocking Split Flange | 1 Req | 18192     | 192         | 166      |
| 1986-89 | 2.5L 153ci VIN K       | Exhaust Pipe, Front, w/Retainer Nuts             | 1 Req | 18539     | 18539       | 166      |
| 1986-89 | 2.5L 153ci VIN K       | Exhaust Pipe, Front, w/o Retainer Nuts           | 1 Req | 18194     | 194         | 166      |
| 1986-89 | 2.5L 153ci VIN K       | Exhaust Pipe, Front, w/Interlocking Split Flange | 1 Req | 18192     | 192         | 166      |
| 1981-85 | 2.6L 156ci VIN 7, D, G | Exhaust Pipe, Front, w/Retainer Nuts             | 1 Req | 18539     | 18539       | 166      |
| 1981-85 | 2.6L 156ci VIN 7, D, G | Exhaust Pipe, Front, w/o Retainer Nuts           | 1 Req | 18194     | 194         | 166      |
| 1981-85 | 2.6L 156ci VIN 7, D, G | Exhaust Pipe, Front, w/Interlocking Split Flange | 1 Req | 18192     | 192         | 166      |

### SAPPORO

| Year    | Engine           | Location                                         | Qty.  | ni Number | Item Number | See Page |
|---------|------------------|--------------------------------------------------|-------|-----------|-------------|----------|
| 1983-85 | 2.6L 156ci VIN 7 | Exhaust Pipe, Front, w/Retainer Nuts             | 1 Req | 18539     | 18539       | 166      |
| 1983-85 | 2.6L 156ci VIN 7 | Exhaust Pipe, Front, w/o Retainer Nuts           | 1 Req | 18194     | 194         | 166      |
| 1983-85 | 2.6L 156ci VIN 7 | Exhaust Pipe, Front, w/Interlocking Split Flange | 1 Req | 18192     | 192         | 166      |



# Flange Mounting Kits Application Information Cont.

## PLYMOUTH

### SCAMP

| Year    | Engine           | Location                                         | Qty.  | ni Number | Item Number | See Page |
|---------|------------------|--------------------------------------------------|-------|-----------|-------------|----------|
| 1983-85 | 2.2L 135ci VIN C | Exhaust Pipe, Front, w/Retainer Nuts             | 1 Req | 18539     | 18539       | 166      |
| 1983-85 | 2.2L 135ci VIN C | Exhaust Pipe, Front, w/o Retainer Nuts           | 1 Req | 18194     | 194         | 166      |
| 1983-85 | 2.2L 135ci VIN C | Exhaust Pipe, Front, w/Interlocking Split Flange | 1 Req | 18192     | 192         | 166      |

### SUNDANCE

| Year    | Engine              | Location                                         | Qty.  | ni Number | Item Number | See Page |
|---------|---------------------|--------------------------------------------------|-------|-----------|-------------|----------|
| 1987-94 | 2.2L 135ci VIN D, E | Exhaust Pipe, Front, w/Retainer Nuts             | 1 Req | 18539     | 18539       | 166      |
| 1987-94 | 2.2L 135ci VIN D, E | Exhaust Pipe, Front, w/o Retainer Nuts           | 1 Req | 18194     | 194         | 166      |
| 1987-94 | 2.2L 135ci VIN D, E | Exhaust Pipe, Front, w/Interlocking Split Flange | 1 Req | 18192     | 192         | 166      |
| 1988-94 | 2.5L 153ci VIN J, K | Exhaust Pipe, Front, w/Retainer Nuts             | 1 Req | 18539     | 18539       | 166      |
| 1988-94 | 2.5L 153ci VIN J, K | Exhaust Pipe, Front, w/o Retainer Nuts           | 1 Req | 18194     | 194         | 166      |
| 1988-94 | 2.5L 153ci VIN J, K | Exhaust Pipe, Front, w/Interlocking Split Flange | 1 Req | 18192     | 192         | 166      |
| 1992-93 | 3.0L 181ci VIN 3    | Exhaust Pipe, Front, w/Retainer Nuts             | 1 Req | 18539     | 18539       | 166      |
| 1992-93 | 3.0L 181ci VIN 3    | Exhaust Pipe, Front, w/o Retainer Nuts           | 1 Req | 18194     | 194         | 166      |

### TURISMO

| Year    | Engine                      | Location                                         | Qty.  | ni Number | Item Number | See Page |
|---------|-----------------------------|--------------------------------------------------|-------|-----------|-------------|----------|
| 1983-85 | 1.6L 98ci (1595cc) VIN 3, A | Exhaust Pipe, Front, w/Retainer Nuts             | 1 Req | 18539     | 18539       | 166      |
| 1983-85 | 1.6L 98ci (1595cc) VIN 3, A | Exhaust Pipe, Front, w/o Retainer Nuts           | 1 Req | 18194     | 194         | 166      |
| 1983-85 | 1.6L 98ci (1595cc) VIN 3, A | Exhaust Pipe, Front, w/Interlocking Split Flange | 1 Req | 18192     | 192         | 166      |

### VOYAGER

| Year    | Engine              | Location                                     | Qty.  | ni Number | Item Number | See Page |
|---------|---------------------|----------------------------------------------|-------|-----------|-------------|----------|
| 1984-87 | 2.2L 135ci VIN C    | Converter Inlet, w/Retainer Nuts             | 1 Req | 18539     | 18539       | 166      |
| 1984-87 | 2.2L 135ci VIN C    | Converter Inlet, w/o Retainer Nuts           | 1 Req | 18194     | 194         | 166      |
| 1984-87 | 2.2L 135ci VIN C    | Converter Inlet, w/Interlocking Split Flange | 1 Req | 18192     | 192         | 166      |
| 1987-95 | 2.5L 153ci VIN J, K | Converter Inlet, w/Retainer Nuts             | 1 Req | 18539     | 18539       | 166      |
| 1987-95 | 2.5L 153ci VIN J, K | Converter Inlet, w/o Retainer Nuts           | 1 Req | 18194     | 194         | 166      |
| 1987-95 | 2.5L 153ci VIN J, K | Converter Inlet, w/Interlocking Split Flange | 1 Req | 18192     | 192         | 166      |
| 1984-87 | 2.6L 156ci VIN G    | Converter Inlet, w/Retainer Nuts             | 1 Req | 18539     | 18539       | 166      |
| 1984-87 | 2.6L 156ci VIN G    | Converter Inlet, w/o Retainer Nuts           | 1 Req | 18194     | 194         | 166      |
| 1989-90 | 2.6L 156ci VIN G    | Converter Inlet, w/Interlocking Split Flange | 1 Req | 18192     | 192         | 166      |
| 1987-95 | 3.0L 181ci VIN 3    | Converter Inlet, w/Retainer Nuts             | 1 Req | 18539     | 18539       | 166      |
| 1987-95 | 3.0L 181ci VIN 3    | Converter Inlet, w/o Retainer Nuts           | 1 Req | 18194     | 194         | 166      |
| 1994-95 | 3.3L 201ci VIN J    | Converter Inlet, w/Retainer Nuts             | 1 Req | 18539     | 18539       | 166      |
| 1994-95 | 3.3L 201ci VIN J    | Converter Inlet, w/o Retainer Nuts           | 1 Req | 18194     | 194         | 166      |
| 1991-95 | 3.3L 201ci VIN R    | Converter Inlet, w/Retainer Nuts             | 1 Req | 18539     | 18539       | 166      |
| 1991-95 | 3.3L 201ci VIN R    | Converter Inlet, w/o Retainer Nuts           | 1 Req | 18194     | 194         | 166      |

## PONTIAC

### 6000

| Year    | Engine              | Location            | Qty.  | ni Number | Item Number | See Page |
|---------|---------------------|---------------------|-------|-----------|-------------|----------|
| 1982-91 | 2.5L 151ci VIN R    | Exhaust Pipe, Front | 1 Req | 18310     | 310         | 169      |
| 1982-89 | 2.8L 173ci VIN W, X | Exhaust Pipe, Front | 1 Req | 18310     | 310         | 169      |
| 1988-91 | 3.1L 189ci VIN T    | Exhaust Pipe, Front | 1 Req | 18310     | 310         | 169      |

**DESIGN MAKES  
THE DIFFERENCE**

# Flange Mounting Kits Application Information Cont.

## PONTIAC

### BONNEVILLE

| Year    | Engine                       | Location            | Qty.  | ni Number | Item Number | See Page |
|---------|------------------------------|---------------------|-------|-----------|-------------|----------|
| 1987-96 | 3.8L 231ci VIN 1, 3, C, K, L | Exhaust Pipe, Front | 1 Req | 18313     | 313         | 169      |
| 1982-84 | 5.7L 350ci VIN N             | Exhaust Pipe, Front | 1 Req | 18314     | 18314       | 169      |

### FIERO

| Year    | Engine           | Location            | Qty.  | ni Number | Item Number | See Page |
|---------|------------------|---------------------|-------|-----------|-------------|----------|
| 1984-88 | 2.5L 151ci VIN R | Exhaust Pipe, Front | 1 Req | 18310     | 310         | 169      |
| 1985-88 | 2.8L 173ci VIN 9 | Exhaust Pipe, Front | 1 Req | 18310     | 310         | 169      |

### FIREFLY

| Year    | Engine    | Location        | Qty.  | ni Number | Item Number | See Page |
|---------|-----------|-----------------|-------|-----------|-------------|----------|
| 1985-95 | 1.0L 61ci | Converter Inlet | 1 Req | 18304     | 18304       | 168      |

### GRAND AM

| Year    | Engine                 | Location            | Qty.  | ni Number | Item Number | See Page |
|---------|------------------------|---------------------|-------|-----------|-------------|----------|
| 1987-89 | 2.0L 122ci VIN M       | Exhaust Pipe, Front | 1 Req | 18313     | 313         | 169      |
| 1988-95 | 2.3L 138ci VIN 3, D, A | Exhaust Pipe, Front | 1 Req | 18313     | 313         | 169      |
| 1985-91 | 2.5L 151ci VIN U       | Exhaust Pipe, Front | 1 Req | 18310     | 310         | 169      |
| 1985-87 | 3.0L 181ci VIN L       | Exhaust Pipe, Front | 1 Req | 18310     | 310         | 169      |
| 1994-98 | 3.1L 189ci VIN M       | Exhaust Pipe, Front | 1 Req | 18310     | 310         | 169      |
| 1992-93 | 3.3L 204ci VIN N       | Exhaust Pipe, Front | 1 Req | 18310     | 310         | 169      |

### GRAND PRIX

| Year    | Engine           | Location            | Qty.  | ni Number | Item Number | See Page |
|---------|------------------|---------------------|-------|-----------|-------------|----------|
| 1990-91 | 2.3L 138ci VIN D | Exhaust Pipe, Front | 1 Req | 18313     | 313         | 169      |
| 1988-89 | 2.8L 173ci VIN W | Exhaust Pipe, Front | 1 Req | 18310     | 310         | 169      |
| 1989-93 | 3.1L 189ci VIN T | Exhaust Pipe, Front | 1 Req | 18310     | 310         | 169      |
| 1991-96 | 3.4L 207ci VIN X | Exhaust Pipe, Front | 1 Req | 18310     | 310         | 169      |
| 1981-84 | 5.7L 350ci VIN N | Exhaust Pipe, Front | 1 Req | 18314     | 18314       | 169      |

### TRANS SPORT

| Year    | Engine           | Location        | Qty.  | ni Number | Item Number | See Page |
|---------|------------------|-----------------|-------|-----------|-------------|----------|
| 1990-95 | 3.1L 189ci VIN D | Converter Inlet | 1 Req | 18310     | 310         | 169      |
| 1992-95 | 3.8L 231ci VIN L | Converter Inlet | 1 Req | 18310     | 310         | 169      |

## SUBARU

### BRAT

| Year    | Engine      | Location        | Qty.  | ni Number | Item Number | See Page |
|---------|-------------|-----------------|-------|-----------|-------------|----------|
| 1978-80 | 1.6L 1595cc | Converter Inlet | 1 Req | 18315     | 315         | 171      |
| 1980-87 | 1.8L 1781cc | Converter Inlet | 1 Req | 18315     | 315         | 171      |

### DL

| Year    | Engine      | Location        | Qty.  | ni Number | Item Number | See Page |
|---------|-------------|-----------------|-------|-----------|-------------|----------|
| 1976-84 | 1.6L 1595cc | Converter Inlet | 1 Req | 18315     | 315         | 171      |
| 1980-89 | 1.8L 1781cc | Converter Inlet | 1 Req | 18315     | 315         | 171      |

### FE

| Year | Engine      | Location        | Qty.  | ni Number | Item Number | See Page |
|------|-------------|-----------------|-------|-----------|-------------|----------|
| 1979 | 1.6L 1595cc | Converter Inlet | 1 Req | 18315     | 315         | 171      |

# Flange Mounting Kits Application Information Cont.

## SUBARU

### FORESTER

| Year | Engine      | Location        | Qty.  | ni Number | Item Number | See Page |
|------|-------------|-----------------|-------|-----------|-------------|----------|
| 1979 | 1.6L 1595cc | Converter Inlet | 1 Req | 18315     | 315         | 171      |

### GF

| Year    | Engine      | Location        | Qty.  | ni Number | Item Number | See Page |
|---------|-------------|-----------------|-------|-----------|-------------|----------|
| 1976-79 | 1.6L 1595cc | Converter Inlet | 1 Req | 18315     | 315         | 171      |

### GL

| Year    | Engine      | Location        | Qty.  | ni Number | Item Number | See Page |
|---------|-------------|-----------------|-------|-----------|-------------|----------|
| 1986-87 | 1.6L 1595cc | Converter Inlet | 1 Req | 18315     | 315         | 171      |
| 1980-89 | 1.8L 1781cc | Converter Inlet | 1 Req | 18315     | 315         | 171      |

### GL-10

| Year    | Engine      | Location        | Qty.  | ni Number | Item Number | See Page |
|---------|-------------|-----------------|-------|-----------|-------------|----------|
| 1985-89 | 1.8L 1781cc | Converter Inlet | 1 Req | 18315     | 315         | 171      |

### GLF

| Year    | Engine      | Location        | Qty.  | ni Number | Item Number | See Page |
|---------|-------------|-----------------|-------|-----------|-------------|----------|
| 1980    | 1.6L 1595cc | Converter Inlet | 1 Req | 18315     | 315         | 171      |
| 1980-82 | 1.8L 1781cc | Converter Inlet | 1 Req | 18315     | 315         | 171      |

### LEGACY

| Year    | Engine      | Location        | Qty.  | ni Number | Item Number | See Page |
|---------|-------------|-----------------|-------|-----------|-------------|----------|
| 1990-98 | 2.2L 2212cc | Converter Inlet | 1 Req | 18315     | 315         | 171      |
| 1996-98 | 2.5L 2458cc | Converter Inlet | 1 Req | 18315     | 315         | 171      |

### LOYALE

| Year    | Engine      | Location        | Qty.  | ni Number | Item Number | See Page |
|---------|-------------|-----------------|-------|-----------|-------------|----------|
| 1990-94 | 1.8L 1781cc | Converter Inlet | 1 Req | 18315     | 315         | 171      |

### RX

| Year    | Engine      | Location        | Qty.  | ni Number | Item Number | See Page |
|---------|-------------|-----------------|-------|-----------|-------------|----------|
| 1986-89 | 1.8L 1781cc | Converter Inlet | 1 Req | 18315     | 315         | 171      |

### STANDARD

| Year    | Engine      | Location        | Qty.  | ni Number | Item Number | See Page |
|---------|-------------|-----------------|-------|-----------|-------------|----------|
| 1977-87 | 1.6L 1595cc | Converter Inlet | 1 Req | 18315     | 315         | 171      |
| 1987    | 1.8L 1781cc | Converter Inlet | 1 Req | 18315     | 315         | 171      |
| 1981-82 | 1.8L 1781cc | Converter Inlet | 1 Req | 18315     | 315         | 171      |

### XT

| Year    | Engine      | Location        | Qty.  | ni Number | Item Number | See Page |
|---------|-------------|-----------------|-------|-----------|-------------|----------|
| 1985-91 | 1.8L 1781cc | Converter Inlet | 1 Req | 18315     | 315         | 171      |
| 1988-91 | 2.7L 3213ci | Converter Inlet | 1 Req | 18315     | 315         | 171      |

### GRAND VITARI

| Year    | Engine      | Location                | Qty.  | ni Number | Item Number | See Page |
|---------|-------------|-------------------------|-------|-----------|-------------|----------|
| 2006-08 | 2.5L 2500cc | Inline Converter Inlet  | 1 Req | 18304     | 18304       | 171      |
| 2006-08 | 2.5L 2500cc | Inline Converter Outlet | 1 Req | 18304     | 18304       | 171      |
| 2002-05 | 2.5L 2500cc | JS3TE62V24151392 (2WD)  | 1 Req | 18304     | 18304       | 171      |

# Flange Mounting Kits Application Information Cont.

## SUZUKI

### GRAND VITARI (continued)

| Year    | Engine      | Location                                                        | Qty.  | ni Number | Item Number | See Page |
|---------|-------------|-----------------------------------------------------------------|-------|-----------|-------------|----------|
| 2002-05 | 2.5L 2500cc | Inline Converter Inlet , Left, From VIN JS3TD62V 24153267 (4WD) | 1 Req | 18304     | 18304       | 171      |
| 2002-05 | 2.5L 2500cc | Inline Converter Outlet, From VIN JS3TE62V24151392 (2WD)        | 2 Req | 18304     | 18304       | 171      |
| 2002-05 | 2.5L 2500cc | Inline Converter Outlet, From VIN JS3TD62V 24153267 (4WD)       | 2 Req | 18304     | 18304       | 171      |
| 1999-02 | 2.5L 2500cc | Inline Converter Inlet, To VIN JS3TE62V24151391 (2WD)           | 1 Req | 18304     | 18304       | 171      |
| 1999-02 | 2.5L 2500cc | Inline Converter Outlet, To VIN JS3TE62V24151391 (2WD)          | 1 Req | 18304     | 18304       | 171      |
| 1999-02 | 2.5L 2500cc | Inline Converter Inlet, To VIN JS3TD62V 24153266 (4WD)          | 1 Req | 18304     | 18304       | 171      |
| 1999-02 | 2.5L 2500cc | Inline Converter Outlet, To VIN JS3TD62V 24153266 (4WD)         | 1 Req | 18304     | 18304       | 171      |

### SAMURI

| Year    | Engine           | Location        | Qty.  | ni Number | Item Number | See Page |
|---------|------------------|-----------------|-------|-----------|-------------|----------|
| 1992-94 | 1.3L 1298cc SOHC | Converter Inlet | 1 Req | 18304     | 18304       | 171      |
| 1985-95 | 1.3L 1325cc      | Converter Inlet | 1 Req | 18304     | 18304       | 171      |

### SIDEKICK

| Year    | Engine      | Location                    | Qty.  | ni Number | Item Number | See Page |
|---------|-------------|-----------------------------|-------|-----------|-------------|----------|
| 1989-91 | 1.3L 1325cc | Converter Inlet             | 1 Req | 18304     | 18304       | 171      |
| 1994-98 | 1.6L 1590cc | Exhaust Pipe, Front,        | 1 Req | 18304     | 18304       | 171      |
| 1993    | 1.6L 1590cc | Exhaust Pipe, Front, Calif. | 1 Req | 18304     | 18304       | 171      |
| 1993    | 1.6L 1590cc | Converter Inlet Exc. Calif. | 1 Req | 18304     | 18304       | 171      |
| 1989-92 | 1.6L 1590cc | Converter Inlet             | 1 Req | 18304     | 18304       | 171      |

### VITARI

| Year    | Engine      | Location                                | Qty.  | ni Number | Item Number | See Page |
|---------|-------------|-----------------------------------------|-------|-----------|-------------|----------|
| 2000-01 | 1.6L 1590cc | Exhaust Pipe Exc. Calif., Front,        | 1 Req | 18304     | 18304       | 171      |
| 1999-03 | 2.1L 2000cc | Manifold Mounted Converter Inlet Calif. | 1 Req | 18304     | 18304       | 171      |
| 1999-00 | 2.1L 2000cc | Exhaust Pipe, Front, Exc. Calif.        | 1 Req | 18304     | 18304       | 171      |
| 1999-00 | 2.1L 2000cc | Converter Inlet Exc. Calif.             | 1 Req | 18304     | 18304       | 171      |
| 2004    | 2.5L 2500cc | Inline Converter Outlet                 | 1 Req | 18304     | 18304       | 171      |

### XL-7

| Year    | Engine      | Location                                                 | Qty.  | ni Number | Item Number | See Page |
|---------|-------------|----------------------------------------------------------|-------|-----------|-------------|----------|
| 2004-06 | 2.7L 2737cc | Inlet Converter Outlet,, From VIN JS3TY62V24102914 (2WD) | 1 Req | 18304     | 18304       | 171      |
| 2004-06 | 2.7L 2737cc | Inlet Converter Outlet, From VIN JS3TX62V24108346 (4WD)  | 1 Req | 18304     | 18304       | 171      |
| 2004-06 | 2.7L 2737cc | Inline Converter Inlet                                   | 1 Req | 18304     | 18304       | 171      |

# Flange Mounting Kits

**18317** **317**



2 ea. 12371  
2 ea. 12153  
2 ea. 12322  
8mm x 1.25P

A. 4682 M. FMK491  
R. ES491 W. 35129

**ACURA**

**18192** **192**




1 ea. 12153  
2 ea. 12734  
2 ea. 12561  
2 ea. 12153

A. N/A M. FMK949  
R. ES522 W. 31953

**CHRYSLER/DODGE**

**18194** **194**



2 ea. 12561  
2 ea. 12153  
2 ea. 12734

A. 4678 M. FMK423  
R. ES423 W. 35908

**CHRYSLER/DODGE**

**18539** **18539**



2 ea. 12734  
2 ea. 12153  
2 ea. 12561  
2 ea. 12153

A. N/A M. FMK487  
R. ES487 W. 35031

**CHRYSLER/DODGE**

**18195** **195**



1 ea. 15195A  
2 ea. 12321  
2 ea. 12324  
2 ea. 12325

A. 8041 M. FMK947  
R. ES520 W. N/A

**FORD**

**18196A** **196A**



1 ea. 15195A  
2 ea. 12321  
2 ea. 12324  
1 ea. 13743  
2 ea. 12325  
10mm x 1.50P

A. 8040 M. FMK946  
R. ES519 W. N/A



**FORD**




A. AP/GOERLICH'S; M. MARWIL; R. ROL; W. WALKER

**DESIGN MAKES THE DIFFERENCE**

# Flange Mounting Kits

**18201**                      **15201**

1 ea. 13743  
  
 2-3/8" Flange  
 15109  
 1 ea.  


2 ea.  
 12321  
  
 2 ea.  
 12324  
  
 2 ea.  
 12325  


**10mm x 1.50P**

A. N/A                      M. FMK498  
 R. ES498                      W. 35455

**18202**                      **18202**


1 ea. 13807  
  
 2-9/16" Flange  
 15104  
 1 ea.  




2 ea.  
 12325  
  
 2 ea.  
 12324  
  
 2 ea.  
 12324  


**10mm x 1.50P**

A. N/A                      M. FMK923  
 R. ES504                      W. 36128

**18203**                      **18203**



2-3/8" Flange  
 15109  
 1 ea.  



2 ea.  
 12321  
  
 2 ea.  
 12324  
  
 2 ea.  
 12325  


**10mm x 1.50P**

A. N/A                      M. FMK499  
 R. ES499                      W. N/A

**18316**                      **316**

2 ea.  
 12321  
  
 2 ea.  
 12325  


2 ea.  
 12324  


**10mm x 1.50P**

A. 4973                      M. FMK927  
 R. ES510                      W. 36129

**18317**                      **317**

2 ea.  
 12371  
  
 2 ea.  
 12153  


2 ea.  
 12322  


**8mm x 1.25P**

A. 4682                      M. FMK491  
 R. ES491                      W. 35129

**18536**                      **18536**

2 ea.  
 12156  
  
 2 ea.  
 12321  


2 ea.  
 12324  


**10mm x 1.50P**

A. N/A                      M. FMK451  
 R. ES481                      W. N/A

A. AP/GOERLICH'S; M. MARWIL; R. ROL; W. WALKER

**DESIGN MAKES THE DIFFERENCE**






# Flange Mounting Kits

|                                                                                                       |                                                                                                      |
|-------------------------------------------------------------------------------------------------------|------------------------------------------------------------------------------------------------------|
| <b>18537</b>                                                                                          | <b>18537</b>                                                                                         |
| <p>1 ea. 13807</p>   | <p>2 ea. 12321</p>  |
| <p>1 ea. 15195A</p>  | <p>2 ea. 12324</p>  |
|                                                                                                       | <p>2 ea. 12325</p>  |
|                                                                                                       | <b>10mm x 1.50P</b>                                                                                  |
| A. N/A                                                                                                | M. FMK969                                                                                            |
| R. ES539                                                                                              | W. N/A                                                                                               |

|                                                                                                       |                                                                                                        |
|-------------------------------------------------------------------------------------------------------|--------------------------------------------------------------------------------------------------------|
| <b>18304</b>                                                                                          | <b>18304</b>                                                                                           |
| <p>2 ea. 12327</p>  | <p>2 ea. 12371</p>  |
| <p>2 ea. 12433</p>   | <p>2 ea. 12032</p>  |
|                                                                                                       | <b>10mm x 1.25P x 70mm</b>                                                                             |
| A. 4680                                                                                               | M. FMK995                                                                                              |
| R. ES529                                                                                              | W. 36454                                                                                               |

|                                                                                                        |                                                                                                       |
|--------------------------------------------------------------------------------------------------------|-------------------------------------------------------------------------------------------------------|
| <b>18305</b>                                                                                           | <b>18305</b>                                                                                          |
| <p>3 ea. 12106</p>   | <p>3 ea. 12370</p>  |
| <p>3 ea. 12311</p>  |                                                                                                       |
|                                                                                                        | <b>CAUTION: 3/8" USS/UNC</b>                                                                          |
| A. N/A                                                                                                 | M. FMK941                                                                                             |
| R. ES517                                                                                               | W. N/A                                                                                                |

|                                                                                                         |                                                                                                          |
|---------------------------------------------------------------------------------------------------------|----------------------------------------------------------------------------------------------------------|
| <b>18306</b>                                                                                            | <b>306</b>                                                                                               |
| <p>1 ea. 15034</p>   | <p>3 ea. 12734</p>   |
| <p>2 ea. 12562</p>  | <p>1 ea. 13737</p>  |
| <p>2 ea. 12156</p>  |                                                                                                          |
|                                                                                                         | <b>CAUTION: 10mm x 1.50P</b>                                                                             |
| A. N/A                                                                                                  | M. FMK433                                                                                                |
| R. ES433                                                                                                | W. N/A                                                                                                   |

|                                                                                                        |                                                                                                        |
|--------------------------------------------------------------------------------------------------------|--------------------------------------------------------------------------------------------------------|
| <b>18307</b>                                                                                           | <b>307</b>                                                                                             |
| <p>1 ea. 15017</p>   | <p>3 ea. 12370</p>  |
| <p>3 ea. 12323</p>  | <p>3 ea. 12370</p>  |
| <p>1 ea. 13735</p>  |                                                                                                        |
|                                                                                                        | <b>CAUTION: 10mm x 1.50P</b>                                                                           |
| A. N/A                                                                                                 | M. FMK434                                                                                              |
| R. ES434                                                                                               | W. N/A                                                                                                 |

|                                                                                                         |                                                                                                          |
|---------------------------------------------------------------------------------------------------------|----------------------------------------------------------------------------------------------------------|
| <b>18309</b>                                                                                            | <b>318</b>                                                                                               |
| <p>3 ea. 12106</p>   | <p>3 ea. 12370</p>  |
| <p>3 ea. 12361</p>  |                                                                                                          |
|                                                                                                         | <b>CAUTION: 10mm x 1.50P</b>                                                                             |
| A. 8038                                                                                                 | M. FMK925                                                                                                |
| R. ES506                                                                                                | W. 36463                                                                                                 |

A. AP/GOERLICH'S; M. MARWIL; R. ROL; W. WALKER

**DESIGN MAKES THE DIFFERENCE**

# Flange Mounting Kits

**18310** **310**



2 ea.  
12156


3 ea.  
12734

2 ea.  
12562

**CAUTION: 10mm x 1.50P**

A. 4970 M. FMK441  
R. ES441 W. N/A

**18311** **311**



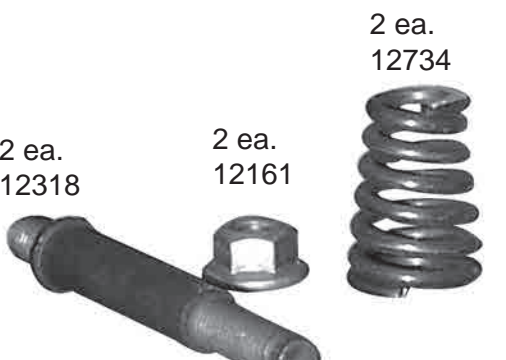
2 ea.  
12370

2 ea.  
12323

**3/8" USS/UNC**

A. 4681 M. ES402  
R. ES402 W. N/A

**18313** **313**



2 ea.  
12318

2 ea.  
12161

2 ea.  
12734

**10mm x 1.50P**

A. 4974 M. FMK449  
R. ES486 W. 36279

**18314** **18314**



3 ea.  
12103

3 ea.  
12370

3 ea.  
12323

A. 4972 M. FMK442  
R. ES442 W. N/A

**18318** **15318**



1 ea.  
13841

3 ea.  
12370

3 ea.  
12161

3 ea.  
12361

**10mm x 1.50P**

A. N/A M. FMK951  
R. ES524 W. N/A

**18319** **319**



3 ea.  
12370

3 ea.  
12313

3 ea.  
12106

**CAUTION: 3/8 USS/UNC**

A. 8037 M. FMK942  
R. ES518 W. N/A

A. AP/GOERLICH'S; M. MARWIL; R. ROL; W. WALKER

**DESIGN MAKES THE DIFFERENCE**



# Flange Mounting Kits

**18534** **18534**

3 ea. 12106  
3 ea. 12370  
3 ea. 12360

**CAUTION: 3/8" USS/UNC**

A. N/A M. FMK932  
R. ES516 W. N/A

**GM**

**18535** **18535**

13841  
3 ea. 12370  
3 ea. 12106  
3 ea. 12360

**3/8" USS/UNC**

A. N/A M. FMK952  
R. ES525 W. N/A

**GM**

**18538** **15538**

13841  
3 ea. 12370  
3 ea. 12161  
3 ea. 12326

**3/8" USS/UNC**

A. N/A M. FMK953  
R. ES526 W. N/A

**GM**

**18317** **317**

2 ea. 12371  
2 ea. 12153  
2 ea. 12322

**8mm x 1.25P**

A. 4682 M. FMK491  
R. ES491 W. 35129

**HONDA**

**18201** **15201**

13743  
2 ea. 12321  
2 ea. 12324  
1 ea. 15109  
2 ea. 12325

**10mm x 1.50P**

A. N/A M. FMK498  
R. ES498 W. 35455

**MAZDA**

**18202** **15202**

1 ea. 13807  
2-9/16" Flange 15104  
1 ea. 12321  
2 ea. 12325  
2 ea. 12324

**10mm x 1.50P**

A. N/A M. FMK923  
R. ES504 W. 36128

**MAZDA**

A. AP/GOERLICH'S; M. MARWIL; R. ROL; W. WALKER

**DESIGN MAKES THE DIFFERENCE**

# Flange Mounting Kits

**18316** **316**

2 ea.  
12321

2 ea.  
12324

2 ea.  
12325

**10mm x 1.50P**

A. 4973 M. FMK927  
R. ES510 W. 36129

**18315** **315**

2 ea.  
12319

2 ea.  
12320

2 ea.  
12152

**8mm x 1.25P**

A. 8039 M. FMK450  
R. ES489 W. 35412

**18304** **18304**

2 ea.  
12371

2 ea.  
12327

2 ea.  
12433

2 ea.  
12032

**10mm x 1.25P x 70mm**

A. 4680 M. FMK995  
R. ES529 W. 36454

MAZDA

SUBARU

SUZUKI

A. AP/GOERLICH'S; M. MARWIL; R. ROL; W. WALKER

**DESIGN MAKES  
THE DIFFERENCE**

This page has been intentionally left blank.

# Heat Risers



# Heat Risers

**14001** **14001**

OEM # 3225005



A. N/A M. HR820  
R. HR005 W. N/A

AMC

**14002** **14002**

OEM # 3225006



A. N/A M. HR006  
R. HR403 W. N/A

AMC

**14007** **14007**

OEM # 3111465



A. N/A M. HR465  
R. HR401 W. N/A

AMC

**14027** **14027**

OEM # E1SZ-9A427A W/Vacuum



A. N/A M. HR427A  
R. HR815 W. N/A

FORD

**14033** **14033**

W/Vacuum



A. N/A M. HR427B  
R. HR817 W. N/A

FORD

**14003** **14003**

OEM # 3887023  
Uses Gasket:  
13083



A. 9885 M. HR023  
R. HR100 W. N/A

GM

**14004** **14004**

OEM # 3887024  
Uses Gasket:  
13083



A. 9886 M. HR024  
R. HR101 W. N/A

GM

**14005** **14005**

OEM # 3887034  
Uses Gasket:  
13011



A. N/A M. HR034  
R. HR102 W. N/A

GM

**14009**

OEM # 3969903



A. N/A M. HR903  
R. HR103 W. N/A

GM

**14010**

OEM # 355915 - 5234825  
Uses Gasket:  
13020



A. N/A M. HR915  
R. HR105 W. N/A

GM

A. AP/GOERLICH'S; M. MARWIL; R. ROL; W. WALKER

**DESIGN MAKES  
THE DIFFERENCE**

# Heat Risers

|                                                                                   |              |
|-----------------------------------------------------------------------------------|--------------|
| <b>14021</b>                                                                      | <b>14021</b> |
| OEM # 5233150                                                                     | W/Vacuum     |
|  |              |
| A. N/A                                                                            | M. HR150     |
| R. HR802                                                                          | W. N/A       |

GM

|                                                                                    |              |
|------------------------------------------------------------------------------------|--------------|
| <b>14022</b>                                                                       | <b>14022</b> |
| OEM # 5233155                                                                      | W/Vacuum     |
|  |              |
| A. N/A                                                                             | M. HR155     |
| R. HR805                                                                           | W. N/A       |

GM

|                                                                                   |              |
|-----------------------------------------------------------------------------------|--------------|
| <b>14023</b>                                                                      | <b>14023</b> |
| OEM # 5233320                                                                     | W/Vacuum     |
|  |              |
| A. N/A                                                                            | M. HR320     |
| R. HR801                                                                          | W. N/A       |

GM

|                                                                                    |              |
|------------------------------------------------------------------------------------|--------------|
| <b>14024</b>                                                                       | <b>14024</b> |
| OEM # 5233475                                                                      | W/Vacuum     |
|  |              |
| A. N/A                                                                             | M. HR475     |
| R. HR803                                                                           | W. N/A       |

GM

|                                                                                    |              |
|------------------------------------------------------------------------------------|--------------|
| <b>14026</b>                                                                       | <b>14026</b> |
| OEM # 5233650                                                                      | W/Vacuum     |
|  |              |
| A. N/A                                                                             | M. HR650     |
| R. HR809                                                                           | W. N/A       |

GM

|                                                                                     |              |
|-------------------------------------------------------------------------------------|--------------|
| <b>14030</b>                                                                        | <b>14030</b> |
| OEM # 5233200                                                                       |              |
|  |              |
| A. N/A                                                                              | M. HR200     |
| R. HR200                                                                            | W. N/A       |

GM

|                                                                                     |              |
|-------------------------------------------------------------------------------------|--------------|
| <b>14031</b>                                                                        | <b>14031</b> |
| Uses Gasket:<br>13083                                                               |              |
|  |              |
| A. N/A                                                                              | M. HR024B    |
| R. HR151                                                                            | W. N/A       |

GM

|                                                                                      |              |
|--------------------------------------------------------------------------------------|--------------|
| <b>14032</b>                                                                         | <b>14032</b> |
| Uses Gasket:<br>13011                                                                |              |
|  |              |
| A. N/A                                                                               | M. HR034B    |
| R. HR152                                                                             | W. N/A       |

GM

|                                                                                     |              |
|-------------------------------------------------------------------------------------|--------------|
| <b>14011</b>                                                                        | <b>14011</b> |
| OEM # 324888C92                                                                     |              |
|  |              |
| A. N/A                                                                              | M. HR92      |
| R. HR501                                                                            | W. N/A       |

IHC

A. AP/GOERLICH'S; M. MARWIL; R. ROL; W. WALKER

**DESIGN MAKES  
THE DIFFERENCE**

This page has been intentionally left blank.

# Specialty, Hardware & Assortments



DESIGN MAKES  
THE DIFFERENCE



# EXHAUST MANIFOLD CLAMP-A-STUD



**THE  
CLAMP-A-STUD  
IS NOT A  
TEMPORARY  
CLAMP!  
IT'S MADE OF  
FORGED  
STEEL**



Go ahead. Ask anybody. A broken manifold stud is the worst job under a car to repair. Nickson makes that job easy!

Nickson's Clamp-A-Stud is the permanent solution to broken or impossible to get at manifold studs. Made of rugged, forged alloy steel, the Clamp-A-Stud is not for temporary use. It's a permanent, durable, professional alternative to conventional manifold repair. It takes ten minutes to install and even works on some manifolds with cracked or broken tangs. This ingenious new product has been field tested with outstanding success. No welding, drilling, or tapping is required.

For part Number listing see Page 175

# Specialty Products

## CLAMP A STUD

| ni Number | Item Number | Size            | R.  | M.  | Qty. |
|-----------|-------------|-----------------|-----|-----|------|
| 17350     | 17350       | 1/4" - 1-3/4"   | N/A | N/A | 10   |
| 17351     | 17351       | 1-1/4" - 2-3/4" | N/A | N/A | 10   |
| 17352     | 17352       | 2-1/4" - 3-3/4" | N/A | N/A | 10   |



17350  
17351  
17352

## MUFFLER CEMENT

| ni Number | Item Number | Size | R.     | M.  | Qty. |
|-----------|-------------|------|--------|-----|------|
| 42016     | 14201       | 16oz | CEM016 | MCS | 1    |
| 42006     | 14202       | 6oz  | CEM006 | MCD | 1    |

42016  
16oz



42006  
6oz

## PIPE HOOKS

| ni Number | Item Number | Size               | R.    | M.      | Qty. |
|-----------|-------------|--------------------|-------|---------|------|
| 54397     | 54397       | Pipe Size Under 3" | FW231 | TPH231B | 50   |
| 54398     | 54398       | Pipe Size 3"       | FW242 | TPH242B | 50   |



Under 3" Pipe

54397



3" Pipe

54398

A. AP/GOERLICH'S; M. MARWIL; R. ROL; W. WALKER

**DESIGN MAKES  
THE DIFFERENCE**

# Hardware Assortments

## Metric Manifold Stud & Nut Bin - ni Number 56001

| Compartment 1   |      |       | Compartment 2    |      |       | Compartment 3    |      |       |
|-----------------|------|-------|------------------|------|-------|------------------|------|-------|
| ni Number       | Qty. | Notes | ni Number        | Qty. | Notes | ni Number        | Qty. | Notes |
| 12153           | 100  |       | 12154            | 50   |       | 12156            | 50   |       |
| 8mm x 1.25P Nut |      |       | 10mm x 1.25P Nut |      |       | 10mm x 1.50P Nut |      |       |

| Compartment 4    |      |       | Compartment 5    |      |       | Compartment 6    |      |       |
|------------------|------|-------|------------------|------|-------|------------------|------|-------|
| ni Number        | Qty. | Notes | ni Number        | Qty. | Notes | ni Number        | Qty. | Notes |
| 12154            | 50   |       | 12159            | 50   |       | 12353            | 50   |       |
| 10mm x 1.25P Nut |      |       | 12mm x 1.50P Nut |      |       | Nissan, VW, Stud |      |       |

| Compartment 7   |      |       |
|-----------------|------|-------|
| ni Number       | Qty. | Notes |
| 12356           | 25   |       |
| Honda, VW, Stud |      |       |

| Compartment 8             |      |       |
|---------------------------|------|-------|
| ni Number                 | Qty. | Notes |
| 12359                     | 25   |       |
| Pinto, Capri, Volvo, Stud |      |       |

| Compartment 9   |      |       |
|-----------------|------|-------|
| ni Number       | Qty. | Notes |
| 12356           | 25   |       |
| Honda, VW, Stud |      |       |

| Compartment 10 |      |       |
|----------------|------|-------|
| ni Number      | Qty. | Notes |
| 12358          | 25   |       |
| Universal Stud |      |       |



# Hardware Assortments

## Hardware Assortment Bin - ni Number 56002

| HARDWARE BIN CONTENTS |      |                                                      |
|-----------------------|------|------------------------------------------------------|
| ni Number             | Qty. | Description                                          |
| 12006                 | 50   | 3/8 x 1 Hex Bolt, Course (USS-UNC)                   |
| 12007                 | 50   | 3/8 x 1-1/2 Hex Bolt, Course (USS-UNC)               |
| 12017                 | 50   | 3/8 x 1-1/4 Hex Bolt, Course (USS-UNC)               |
| 12009                 | 50   | 3/8 x 2-1/2 Hex Bolt, Course (USS-UNC)               |
| 12010                 | 50   | 3/8 x 3 Hex Bolt, Course (USS-UNC)                   |
| 12002                 | 50   | 5/16 x 1 Hex Bolt, Course (USS-UNC)                  |
| 12003                 | 50   | 5/16 x 1-1/2 Hex Bolt, Course (USS-UNC)              |
| 12300                 | 50   | 3/8 x 2 Manifold Stud, Course (USS-UNC)              |
| 12301                 | 10   | 3/8 x 2-1/2 Manifold Stud, Course (USS-UNC) W/Finder |
| 12302                 | 50   | 3/8 x 3-1/2 Manifold Stud, Course (USS-UNC) W/Finder |
| 12303                 | 10   | 7/16 x 2 Manifold Stud, Course (USS-UNC)             |
| 12305                 | 10   | 7/16 x 4 Manifold Stud, Course (USS-UNC)             |
| 12103                 | 50   | 3/8 Std Hex Nut, Course (USS-UNC)                    |
| 12101                 | 50   | 5/16 Std Hex Nut, Course (USS-UNC)                   |
| 12074                 | 50   | 5/16" x 7/16" High Style Flange Nut                  |
| 12107                 | 50   | 7/16 x 5/8 Std Hex Nut, Course (USS-UNC)             |
| 12053                 | 50   | 8mm x 25mm, 1.25 Pitch, Hex Bolt                     |
| 12057                 | 50   | 10mm x 50mm, 1.5 Pitch, Hex Bolt                     |
| 12051                 | 25   | 6mm x 50mm, 1.00 Pitch, Hex Bolt                     |
| 12353                 | 20   | 8mm x 40mm, 1.25 Pitch, Manifold Stud                |
| 12561                 | 20   | 8mm x 70mm, 1.25 Pitch, Shoulder Bolt                |
| 12385                 | 50   | 10mm x 1.50P x 52mm Manifold Stud                    |
| 12356                 | 20   | 10mm x 42mm, 1.25 Pitch, Manifold Stud               |
| 12562                 | 25   | 10mm x 70mm, 1.5 Pitch, Shoulder Bolt                |
| 12358                 | 10   | 12mm x 50mm, 1.25 Pitch, Manifold Stud               |
| 12153                 | 50   | 8mm, 1.25 Pitch, Std Hex Nut                         |
| 12154                 | 25   | 10mm, 1.25 Pitch, Std Hex Nut                        |
| 12156                 | 50   | 10mm, 1.5 Pitch, Std Hex Nut                         |
| 12158                 | 25   | 12mm, 1.25 Pitch, Std Hex Nut                        |
| 12205                 | 50   | 3/8 x 1-1/2 Hex Sheet Metal Screw                    |
| 12201                 | 50   | 5/16 x 1 Hex Sheet Metal Screw                       |



56002 - With contents  
561006 - Empty Hardware Bin

## HEXAGON BOLTS

| ni Number | Size         | Thread Type | Grade | Thread Length | R.   | M.           | Qty. |
|-----------|--------------|-------------|-------|---------------|------|--------------|------|
| 12041     | 1/4 x 3/4    | Coarse      | 2     | Full          | H298 | CS298        | 100  |
| 12043     | 1/4 x 3/4    | Coarse      | 5     | Full          | H110 | CS110        | 100  |
| 12042     | 1/4 x 1      | Coarse      | 2     | Full          | H299 | CS140X100    | 100  |
| 12034     | 1/4 x 1-1/2  | Coarse      | 5     | Standard      | H112 | CS112        | 100  |
| 12023     | 1/4 x 1-1/2  | Coarse      | 2     | Standard      | H300 | CS140X112    | 100  |
| 12019     | 1/4 x 2      | Coarse      | 2     | Standard      | H324 | CS324        | 100  |
| 12021     | 1/4 x 3      | Coarse      | 2     | Standard      | H384 | CS384        | 100  |
| 12001     | 5/16 x 3/4   | Coarse      | 2     | Full          | H302 | CS516X034    | 100  |
| 12121     | 5/16 x 3/4   | Coarse      | 5     | Standard      | H113 | CS516X034GR5 | 100  |
| 12002     | 5/16 x 1     | Coarse      | 2     | Full          | H146 | CS516X100    | 100  |
| 12100     | 5/16 x 1     | Coarse      | 5     | Full          | H114 | CS114        | 100  |
| 12115     | 5/16 x 1-1/4 | Coarse      | 2     | Standard      | H147 | CS516X114    | 100  |
| 12018     | 5/16 x 1-1/4 | Coarse      | 2     | Full          | N/A  | N/A          | 100  |
| 12045     | 5/16 x 1-1/4 | Coarse      | 5     | Full          | H115 | CS115        | 100  |
| 12003     | 5/16 x 1-1/2 | Coarse      | 2     | Full          | H237 | CS516X112    | 100  |
| 12114     | 5/16 x 1-1/2 | Coarse      | 2     | Standard      | H148 | CS148        | 100  |
| 12116     | 5/16 x 1-1/2 | Coarse      | 5     | Standard      | H116 | CS516X112GR5 | 100  |
| 12022     | 5/16 x 1-3/4 | Coarse      | 2     | Standard      | H309 | CS516X134    | 100  |
| 12117     | 5/16 x 2     | Coarse      | 2     | Standard      | H285 | CS285        | 100  |
| 12004     | 5/16 x 2     | Coarse      | 2     | Full          | H240 | CS516X200    | 100  |
| 12035     | 5/16 x 2     | Coarse      | 5     | Standard      | H117 | CS516X200GR5 | 100  |
| 12005     | 5/16 x 2-1/2 | Coarse      | 2     | Standard      | H310 | CS516X212    | 100  |
| 12172     | 5/16 x 2-1/2 | Coarse      | 5     | Standard      | H311 | CS516X212GR5 | 100  |
| 12024     | 5/16 x 3     | Coarse      | 2     | Standard      | H222 | CS222        | 50   |
| 12308     | 5/16 x 3     | Coarse      | 2     | Full          | H249 | CS516X300    | 50   |
| 12025     | 5/16 x 3-1/2 | Coarse      | 2     | Standard      | H386 | CS386        | 50   |
| 12026     | 5/16 x 4     | Coarse      | 2     | Standard      | H418 | CS516X400    | 50   |
| 12006     | 3/8 x 1      | Coarse      | 2     | Full          | H149 | CS380X100    | 100  |
| 12046     | 3/8 x 1      | Coarse      | 5     | Full          | H118 | CS118        | 100  |
| 12118     | 3/8 x 1-1/4  | Coarse      | 2     | Standard      | H150 | CS380X114    | 100  |
| 12017     | 3/8 x 1-1/4  | Coarse      | 2     | Full          | N/A  | N/A          | 100  |
| 12170     | 3/8 x 1-1/4  | Coarse      | 5     | Standard      | H119 | CS380X114GR5 | 100  |
| 12328     | 3/8 x 1-1/2  | Coarse      | 2     | Standard      | H151 | CS151        | 100  |
| 12007     | 3/8 x 1-1/2  | Coarse      | 5     | Standard      | H120 | CS380X112GR5 | 100  |
| 12020     | 3/8 x 1-1/2  | Coarse      | 2     | Full          | H246 | CS380X112    | 100  |
| 12027     | 3/8 x 1-3/4  | Coarse      | 2     | Standard      | H301 | CS380X134    | 100  |
| 12119     | 3/8 x 2      | Coarse      | 2     | Standard      | H152 | CS152        | 50   |
| 12036     | 3/8 x 2      | Coarse      | 5     | Standard      | H121 | CS380X200GR5 | 50   |
| 12008     | 3/8 x 2      | Coarse      | 2     | Full          | H234 | CS380X200    | 100  |
| 12064     | 3/8 x 2-1/4  | Coarse      | 2     | Full          | H235 | CS380X214    | 50   |
| 12122     | 3/8 x 2-1/4  | Coarse      | 2     | Standard      | H307 | CS307        | 50   |
| 12082     | 3/8 x 2-1/4  | Coarse      | 5     | Standard      | H399 | CS380X214GR5 | 50   |
| 12125     | 3/8 x 2-1/2  | Coarse      | 2     | Standard      | H153 | CS380X212050 | 50   |
| 12009     | 3/8 x 2-1/2  | Coarse      | 2     | Full          | H205 | CS380X212    | 50   |
| 12010     | 3/8 x 3      | Coarse      | 2     | Full          | H247 | CS380X300    | 50   |
| 12120     | 3/8 x 3      | Coarse      | 2     | Standard      | H308 | CS308        | 50   |
| 12011     | 3/8 x 3-1/2  | Coarse      | 2     | Standard      | H154 | CS380X312    | 50   |
| 12028     | 3/8 x 4      | Coarse      | 2     | Standard      | H325 | CS325        | 25   |

R. ROL; M. MARWIL

**DESIGN MAKES  
THE DIFFERENCE**

## HEXAGON BOLTS - (Continued)

| ni Number | Size         | Thread Type | Grade | Thread Length | R.   | M.           | Qty. |
|-----------|--------------|-------------|-------|---------------|------|--------------|------|
| 12012     | 7/16 x 1     | Coarse      | 2     | Full          | H155 | CS716X100    | 50   |
| 12047     | 7/16 x 1     | Coarse      | 5     | Full          | H125 | CS125        | 50   |
| 12013     | 7/16 x 1-1/2 | Coarse      | 2     | Full          | H156 | CS716X112    | 50   |
| 12037     | 7/16 x 1-1/2 | Coarse      | 5     | Standard      | H126 | CS126        | 50   |
| 12014     | 7/16 x 1-3/4 | Coarse      | 2     | Full          | N/A  | N/A          | 100  |
| 12015     | 7/16 x 2     | Coarse      | 2     | Standard      | H157 | CS716X200    | 50   |
| 12038     | 7/16 x 2     | Coarse      | 5     | Standard      | H127 | CS127        | 50   |
| 12029     | 7/16 x 2-1/2 | Coarse      | 2     | Standard      | H228 | CS716X212    | 50   |
| 12039     | 7/16 x 2-1/2 | Coarse      | 5     | Standard      | H313 | CS313        | 50   |
| 12063     | 7/16 x 3     | Coarse      | 2     | Standard      | H327 | CS716X300    | 25   |
| 12040     | 1/2 x 2      | Coarse      | 5     | Standard      | H338 | CS120X200GR5 | 25   |

## METRIC HEXAGON BOLTS

| ni Number | Size        | Thread Pitch | Grade | Thread Length | R.   | M.       | Qty. |
|-----------|-------------|--------------|-------|---------------|------|----------|------|
| 12062     | 6mm x 15mm  | 1.00P        | 2     | Full          | H226 | CS6X20   | 100  |
| 12060     | 6mm x 18mm  | 1.00P        | 2     | Full          | H200 | CS6X12   | 100  |
| 12083     | 6mm x 30mm  | 1.00P        | 2     | Full          | N/A  | CS6X30   | 100  |
| 12048     | 6mm x 43mm  | 1.25P        | 2     | Full          | H225 | CS225    | 100  |
| 12049     | 8mm x 16mm  | 1.25P        | 2     | Full          | H224 | CS224    | 100  |
| 12050     | 8mm x 20mm  | 1.25P        | 2     | Full          | H250 | CS8X20   | 100  |
| 12053     | 8mm x 25mm  | 1.25P        | 2     | Full          | H229 | CS8X25   | 100  |
| 12054     | 8mm x 30mm  | 1.25P        | 2     | Full          | N/A  | N/A      | 100  |
| 12055     | 8mm x 40mm  | 1.25P        | 2     | Full          | H283 | CS8X40   | 100  |
| 12030     | 8mm x 75mm  | 1.25P        | 2     | Standard      | H398 | CS8X76   | 100  |
| 12051     | 10mm x 20mm | 1.25P        | 2     | Full          | H337 | CS337    | 100  |
| 12065     | 10mm x 20mm | 1.50P        | 2     | Full          | H352 | CS10X20C | 100  |
| 12066     | 10mm x 25mm | 1.00P        | 2     | Full          | H350 | CS10X25  | 100  |
| 12067     | 10mm x 25mm | 1.25P        | 2     | Full          | H349 | CS10X30F | 100  |
| 12068     | 10mm x 25mm | 1.50P        | 2     | Full          | H340 | CS340    | 100  |
| 12069     | 10mm x 30mm | 1.25P        | 2     | Full          | H354 | CS10X30  | 100  |
| 12056     | 10mm x 35mm | 1.25P        | 2     | Full          | N/A  | N/A      | 100  |
| 12070     | 10mm x 40mm | 1.50P        | 2     | Full          | H353 | CS10X40  | 100  |
| 12031     | 10mm x 50mm | 1.25P        | 2     | Standard      | H421 | CS10X40F | 100  |
| 12057     | 10mm x 50mm | 1.50P        | 2     | Standard      | H387 | CS387    | 50   |
| 12032     | 10mm x 70mm | 1.25P        | 2     | Standard      | H547 | CS547    | 10   |
| 12033     | 10mm x 75mm | 1.25P        | 2     | Standard      | H510 | CS10X76  | 50   |



R. ROL; M. MARWIL

## HEXAGON NUTS

| ni Number | Size          | Thread Type | Style    | Description        | R.   | M.        | Qty. |
|-----------|---------------|-------------|----------|--------------------|------|-----------|------|
| 12072     | 1/4"          | Coarse      | STANDARD |                    | H100 | HN140C    | 100  |
| 12123     | 1/4"          | Fine        | STANDARD |                    | H105 | HN140F    | 100  |
| 12101     | 5/16"         | Coarse      | STANDARD |                    | H101 | HN516C    | 100  |
| 12111     | 5/16"         | Coarse      | FLANGE   | SERRATED           | H201 | FN516S    | 100  |
| 12102     | 5/16"         | Fine        | STANDARD |                    | H106 | HN516F    | 100  |
| 12074     | 5/16" x 7/16" | Coarse      | FLANGE   |                    | H198 | FN516H    | 100  |
| 12124     | 5/16" x 9/16" | Coarse      | SPECIAL  | USES 9/16" WRENCH  | H203 | HN203     | 100  |
| 12103     | 3/8"          | Coarse      | STANDARD |                    | H102 | HN380C    | 100  |
| 12113     | 3/8"          | Coarse      | FLANGE   |                    | H202 | FN380     | 100  |
| 12106     | 3/8"          | Coarse      | FLANGE   | SERRATED           | H367 | FN380S    | 100  |
| 12104     | 3/8"          | Fine        | STANDARD |                    | H107 | HN380F    | 100  |
| 12107     | 7/16"         | Coarse      | STANDARD | USES 11/16" WRENCH | H103 | HN716C    | 50   |
| 12108     | 7/16"         | Fine        | STANDARD | USES 11/16" WRENCH | H108 | HN716F    | 50   |
| 12207     | 7/16" x 5/8"  | Coarse      | SPECIAL  | USES 5/8" WRENCH   | H204 | HN716X580 | 100  |
| 12110     | 1/2"          | Coarse      | STANDARD |                    | H104 | HN120C    | 50   |
| 12073     | 1"            | Coarse      | STANDARD |                    | H415 | HN415     | 50   |



## METRIC HEXAGON NUTS

| ni Number | Size | Thread Pitch | Style    | Application   | R.   | M.         | Qty. |
|-----------|------|--------------|----------|---------------|------|------------|------|
| 12061     | 6mm  | 1.00P        | STANDARD |               | H206 | NT6X100MT  | 100  |
| 12153     | 8mm  | 1.25P        | STANDARD |               | H207 | NT8X125MT  | 100  |
| 12152     | 8mm  | 1.25P        | FLANGE   |               | H454 | NT8X125FN  | 100  |
| 12075     | 10mm | 1.00P        | STANDARD |               | H358 | HN358      | 100  |
| 12154     | 10mm | 1.25P        | STANDARD | Honda, Toyota | H209 | NT10X125MT | 100  |
| 12162     | 10mm | 1.25P        | FLANGE   | Honda, Toyota | N/A  | N/A        | 100  |
| 12156     | 10mm | 1.50P        | STANDARD |               | H208 | NT10X150MT | 100  |
| 12161     | 10mm | 1.50P        | FLANGE   |               | H446 | NT10X150FN | 100  |
| 12159     | 12mm | 1.25P        | STANDARD |               | H356 | NT12X125MT | 100  |
| 12076     | 12mm | 1.50P        | STANDARD |               | H357 | HN357      | 100  |



## BRASS HEXAGON NUTS

| ni Number | Size         | Thread Type | Style      | R.   | M.         | Quantity |
|-----------|--------------|-------------|------------|------|------------|----------|
| 12105     | 3/8"         | Coarse      | STANDARD   | H315 | BRN380C    | 50       |
| 12097     | 3/8" x 5/8"  | Coarse      | HIGH STYLE | H524 | BRN380X625 | 10       |
| 12317     | 7/16"        | Coarse      | STANDARD   | H339 | BRN716B/C  | 50       |
| 12109     | 7/16" x 5/8" | Coarse      | HIGH STYLE | H567 | BRN716X625 | 10       |

R. ROL; M. MARWIL

## STANDARD MANIFOLD STUDS

| ni Number | Size           | Thread Type | Application | Description | R.   | M.       | Qty.   |
|-----------|----------------|-------------|-------------|-------------|------|----------|--------|
| 12300     | 3/8 x 2"       | Coarse      | GM          | W/O FINDERS | H560 | MS38200  | 50     |
| 12306     | 3/8 x 2-1/4"   | Coarse      | FORD        | W/O FINDERS | H191 | MS38224  | 100    |
| 12301     | 3/8 x 2-1/2"   | Coarse      | GM          | W/FINDERS   | H561 | MS38225  | 50     |
| 12360     | 3/8 x 2-27/32" | Coarse      | GM          | W/FINDERS   | H528 | FMK943   | 10     |
| 12310     | 3/8 x 3"       | Coarse      | GM          | W/FINDERS   | H562 | MS38325  | 50     |
| 12307     | 3/8 x 3-1/4"   | Coarse      | GM          | W/O FINDERS | H211 | MS38314  | 50     |
| 12302     | 3/8 x 3-1/2"   | Coarse      | CHRYSLER    | W/FINDERS   | H233 | MS38350  | 50     |
| 12311     | 3/8 x 3-13/16" | Coarse      | GM          | W/FINDERS   | H531 | FMK944   | 10     |
| 12312     | 3/8 x 4"       | Coarse      | FORD        | W/O FINDERS | H429 | S429     | 50     |
| 12313     | 3/8 x 4-13/32" | Coarse      | GM          | W/FINDERS   | H532 | FMK945   | 10     |
| 12314     | 7/16 x 1-5/8"  | Coarse      | FORD        | W/O FINDERS | H213 | MS716158 | 100    |
| 12303     | 7/16 x 2"      | Coarse      | FORD        | W/O FINDERS | H190 | S190     | 100    |
| 12349     | 7/16 x 2-3/8"  | Coarse      | FORD        | W/FINDERS   | H563 | MS716200 | 50     |
| 12304     | 7/16 x 2-1/2"  | Coarse      | FORD        | W/O FINDERS | H564 | MS716250 | 50     |
| 12315     | 7/16 x 3"      | Coarse      | FORD        | W/O FINDERS | H569 | MS716300 | 10, 50 |
| 12316     | 7/16 x 3-1/2"  | Coarse      | FORD        | W/O FINDERS | H570 | MS716350 | 10, 50 |
| 12305     | 7/16 x 4 "     | Coarse      | FORD        | W/O FINDERS | H195 | MS716400 | 100    |

## METRIC MANIFOLD STUDS

| ni Number | Size         | Thread Pitch | Application | Description | R.   | M.       | Qty. |
|-----------|--------------|--------------|-------------|-------------|------|----------|------|
| 12353     | 8mm x 43 mm  | 1.25P        | Nissan / VW | W/O FINDERS | H197 | MS8125   | 100  |
| 12356     | 10mm x 43mm  | 1.25P        | Honda / VW  | W/O FINDERS | H210 | MS101254 | 100  |
| 12385     | 10mm x 50mm  | 1.50P        | Pinto/Capri | W/O FINDERS | H212 | MS10150  | 100  |
| 12361     | 10mm x 76mm  | 1.50P        | GM          | W/FINDERS   | H516 | FMK935   | 10   |
| 12318     | 10mm x 100mm | 1.50P        | GM          | W/FINDERS   | H445 | FMK916   | 10   |
| 12358     | 12mm x 50mm  | 1.25P        | Universal   | W/O FINDERS | H365 | MS12125  | 50   |



## METRIC SHOULDER BOLTS

| ni Number | Size         | Thread Pitch | Application | R.   | M.     | Quantity |
|-----------|--------------|--------------|-------------|------|--------|----------|
| 12322     | 8mm x 64.5mm | 1.25P        | HONDA       | H450 | FMK920 | 10       |
| 12561     | 8mm x 75mm   | 1.25P        | CHRYSLER    | H444 | FMK915 | 10       |
| 12562     | 10mm x 70mm  | 1.50P        | GM          | H443 | FMK914 | 10       |



R. ROL; M. MARWIL

**DESIGN MAKES  
THE DIFFERENCE**



## HEXAGON SELF-TAPPING SCREWS

| ni Number | Size         | R.   | M.        | Qty. |
|-----------|--------------|------|-----------|------|
| 12201     | 5/16 x 1     | H170 | ST516X100 | 100  |
| 12202     | 5/16 x 1-1/4 | H171 | ST516X114 | 100  |
| 12203     | 5/16 x 1-1/2 | H172 | ST516X112 | 100  |
| 12204     | 3/8 x 1      | H173 | ST380X100 | 100  |
| 12205     | 3/8 x 1-1/2  | H174 | ST380X112 | 100  |



## HEXAGON THREAD CUTTING SCREWS

| ni Number | Size       | R.   | M.     | Qty. |
|-----------|------------|------|--------|------|
| 12329     | 5/16 x 1/2 | H238 | TCS238 | 100  |
| 12171     | 5/16 x 1   | H239 | TCS239 | 100  |
| 12330     | 3/8 x 1    | H513 | TCS513 | 25   |



## COTTER PINS

| ni Number | Size     |               | R.   | M.        | Qty. |
|-----------|----------|---------------|------|-----------|------|
|           | Diameter | Length        |      |           |      |
| 12081     | 3/32"    | 3/32 X 1-1/4" | H503 | CP2X22    | 100  |
| 12501     | 1/8"     | 1/8" X 1"     | H500 | CP18X1    | 100  |
| 12502     | 1/8"     | 1/8" X 1-1/2" | H501 | CP18X112  | 100  |
| 12503     | 1/8"     | 1/8" X 2-1/2" | H502 | CP18X212  | 100  |
| 12504     | 3/16"    | 3/16 X 2-1/2" | H504 | CP316X212 | 100  |



## SPRING LOCK WASHERS

| ni Number | Size  | R.   | M.    | Qty. |
|-----------|-------|------|-------|------|
| 12466     | 1/4"  | H175 | LW140 | 100  |
| 12461     | 5/16" | H176 | LW516 | 100  |
| 12462     | 3/8"  | H177 | LW380 | 100  |
| 12463     | 7/16" | H178 | LW176 | 100  |
| 12080     | 1/2"  | H179 | LW120 | 100  |



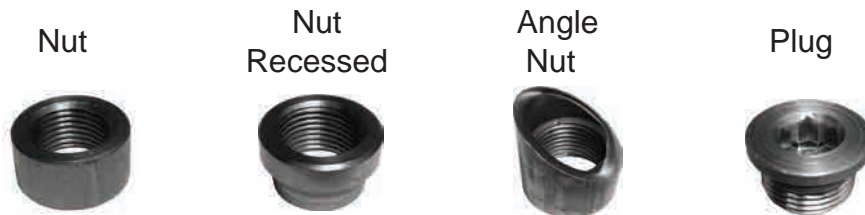
## FLAT WASHERS

| Number | Size  | Hole Size |         | Class       | R.   | M.        | Qty. |
|--------|-------|-----------|---------|-------------|------|-----------|------|
|        |       | ID.       | OD.     |             |      |           |      |
| 12400  | 1/4"  | 5/16"     | 3/4"    | PLATE (USS) | H180 | WA180     | 100  |
| 12402  | 1/4"  | 5/16"     | 1-1/2"  | FENDER      | N/A  | N/A       | 100  |
| 12078  | 1/4"  | 9/32"     | 5/8"    | SAE         | H214 | PW014X625 | 100  |
| 12431  | 5/16" | 3/8"      | 7/8"    | PLATE (USS) | H181 | PW516X087 | 100  |
| 12432  | 5/16" | 11/32"    | 11/16"  | SAE         | H215 | PW516X068 | 100  |
| 12401  | 5/16" | 3/8"      | 1-1/4"  | FENDER      | H182 | FW516X114 | 100  |
| 12433  | 3/8"  | 7/16"     | 1"      | PLATE (USS) | H184 | PW380X100 | 100  |
| 12403  | 3/8"  | 7/16"     | 1-1/4"  | PLATE (USS) | H568 | FW380X114 | 100  |
| 12434  | 3/8"  | 13/32"    | 13/16"  | SAE         | H216 | PW380X081 | 100  |
| 12405  | 3/8"  | 7/16"     | 1-1/2"  | FENDER      | H183 | FW380X112 | 100  |
| 12435  | 7/16" | 1/2"      | 1-1/4"  | PLATE (USS) | H185 | PW716X114 | 100  |
| 12436  | 7/16" | 15/32"    | 15/16"  | SAE         | H217 | PW716X094 | 100  |
| 12077  | 1/2"  | 9/16"     | 1-3/8"  | PLATE (USS) | H186 | PW012X138 | 100  |
| 12079  | 1/2"  | 17/32"    | 1-1/16" | SAE         | H218 | WA218     | 100  |



## O2 SENSOR

| ni Number  | Thread       | Style        | Style           | R.           | M.           | Quantity |
|------------|--------------|--------------|-----------------|--------------|--------------|----------|
| 5512125    | 12mm X 1.25p | Nut          |                 | OSN12x125    | OSN12x125    | 5        |
| 5518150    | 18mm X 1.5p  | Nut          |                 | OSN18x150    | OSN18x150    | 5, 100   |
| 5518150SS  | 18mm X 1.5p  | Nut          | Stainless Steel | OSN18x150SS  | OSN18x150SS  | 5        |
| 5518150A   | 18mm X 1.5p  | Angle Nut    |                 | OSN18x150X45 | OSN18x150X45 | 5        |
| 5518150ASS | 18mm X 1.5p  | Angle Nut    | Stainless Steel | N/A          | N/A          | 5        |
| 5518150R   | 18mm X 1.5p  | Nut Recessed |                 | OSN18x150R   | OSN18x150R   | 5        |
| 5518150RSS | 18mm X 1.5p  | Nut Recessed | Stainless Steel | N/A          | N/A          | 5        |
| 5718150    | 18mm X 1.5p  | Plug         |                 | OSP18x150H   | OSP18x150H   | 5, 100   |



58881

O2 Sensor Flange  
Fits Toyota, Chrysler  
and Most Imports

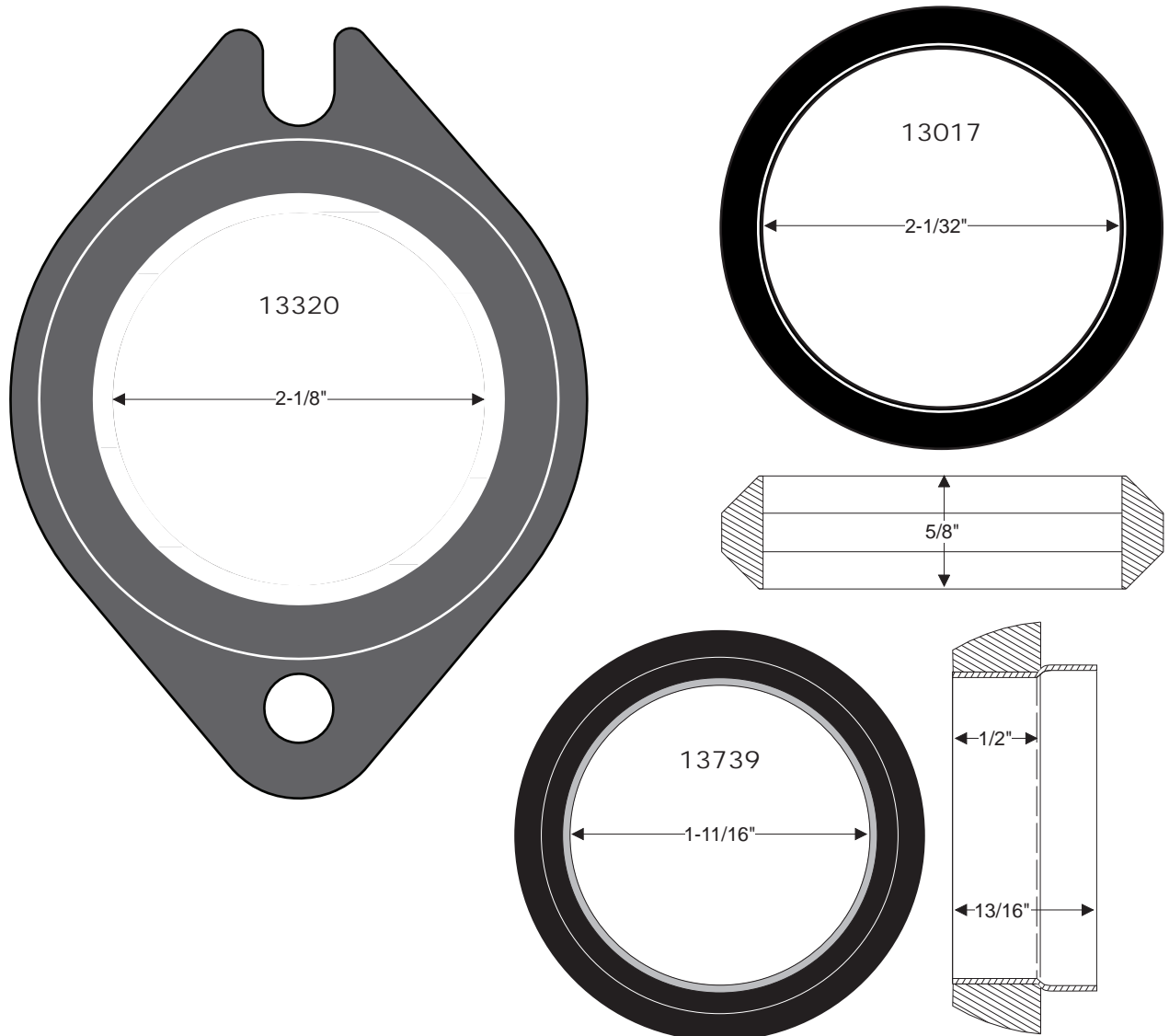


R. ROL; M. MARWIL

**DESIGN MAKES  
THE DIFFERENCE**

# Exhaust & Collector Gaskets

## Top 100 Actual Size Illustrations & Cross Reference Information



**DESIGN MAKES  
THE DIFFERENCE**

## ni 56006-1 Gasket Board Assortment

30 Printed Cards & 6 Blank

33 Hooks

1 Peg Board 2 x 4

| ni number | Qty | ni number | Qty | ni number | Qty |
|-----------|-----|-----------|-----|-----------|-----|
| 13011     | 3   | 13574     | 4   | 13807     | 2   |
| 13017     | 4   | 13578     | 3   | 13841     | 3   |
| 13021     | 3   | 13584     | 4   | 13154     | 3   |
| 13023     | 4   | 13585     | 2   | 13236     | 2   |
| 13044     | 4   | 13659     | 4   | 13251     | 2   |
| 13057     | 3   | 13684     | 4   | 13316     | 2   |
| 13095     | 3   | 13733     | 3   | 13323     | 2   |
| 13096     | 4   | 13738     | 2   | 13731     | 3   |
| 13110     | 3   | 13758     | 2   | 13751     | 4   |
| 13509     | 4   | 13783     | 3   | 13846     | 2   |

56006 PROVIDES 45% OEM GASKET COVERAGE COMBINE WITH  
56007 FOR 75% COVERAGE OF OEM STYLE GASKETS

## ni 56007-1 Gasket Board Assortment

30 Printed Cards & 6 Blank

33 Hooks

1 Peg Board 2 x 4

| ni number | Qty | ni number | Qty | ni number | Qty |
|-----------|-----|-----------|-----|-----------|-----|
| 13020     | 3   | 13338     | 2   | 13743     | 2   |
| 13070     | 3   | 13594     | 2   | 13767     | 2   |
| 13081     | 2   | 13615     | 2   | 13798     | 2   |
| 13109     | 2   | 13635     | 3   | 13800     | 2   |
| 13206     | 2   | 13647     | 2   | 13818     | 2   |
| 13295     | 2   | 13648     | 2   | 13826     | 2   |
| 13315     | 2   | 13694     | 3   | 13843     | 2   |
| 13320     | 3   | 13736     | 2   | 13847     | 2   |
| 13330     | 2   | 13737     | 2   | 13854     | 2   |
| 13337     | 2   | 13742     | 2   | 13981     | 2   |

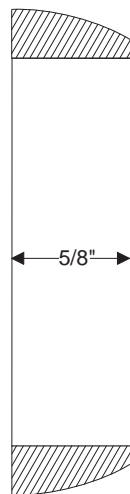
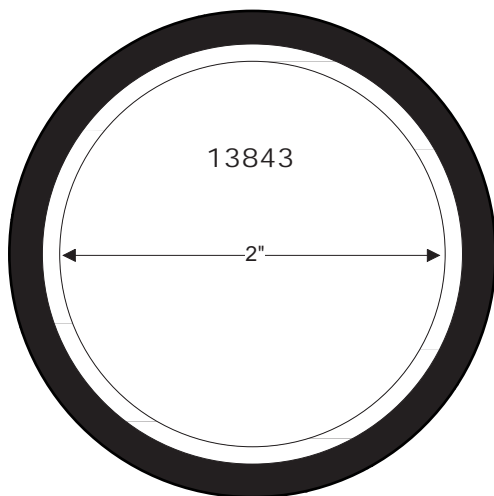
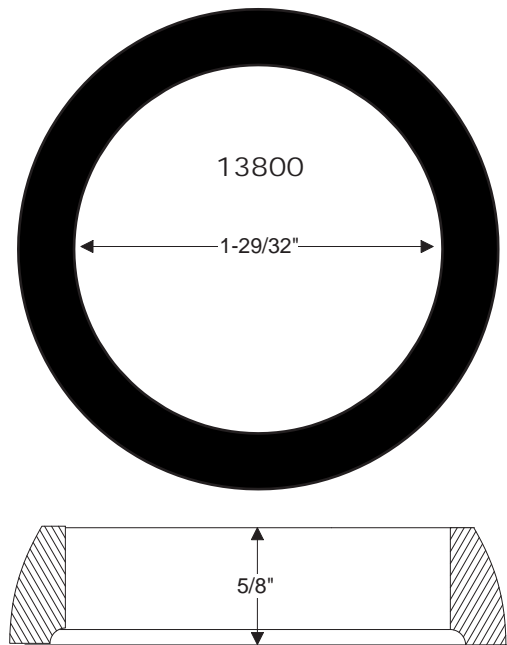
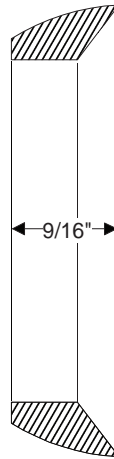
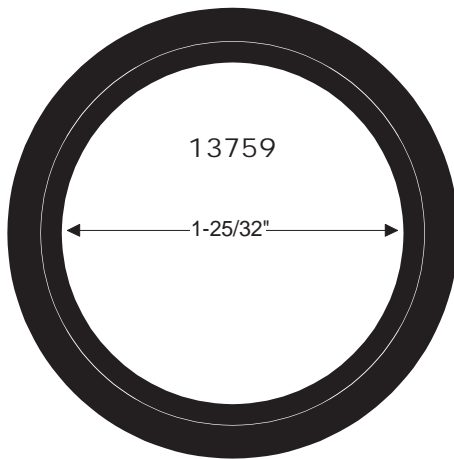
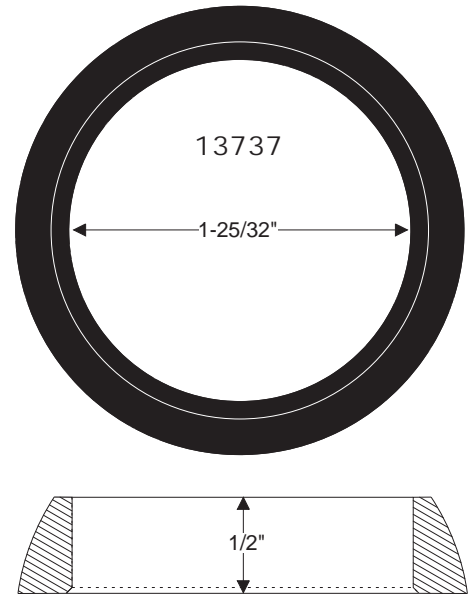
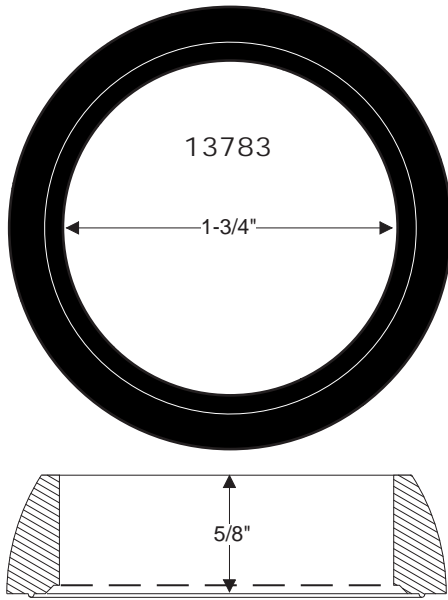


56006-1

# Exhaust Gaskets "Top 100 Illustrations"

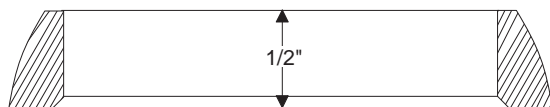
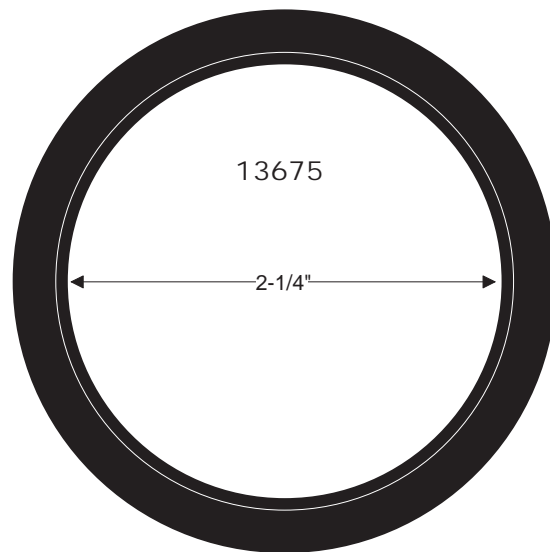
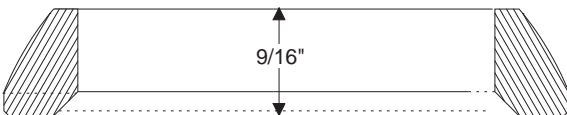
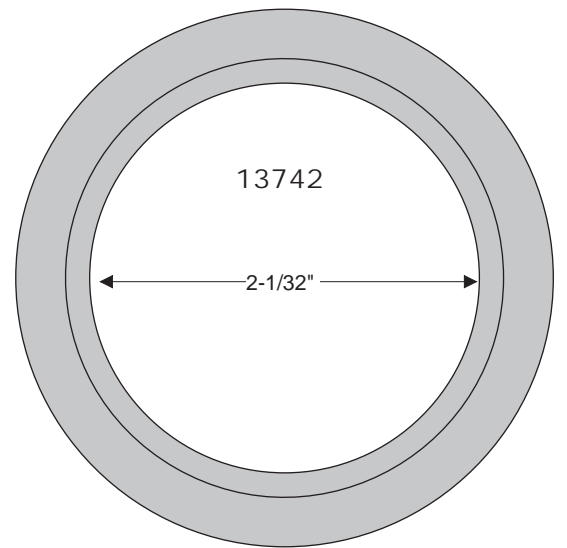
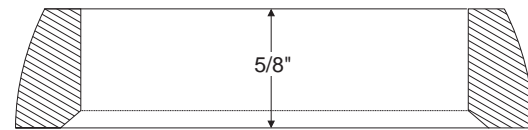
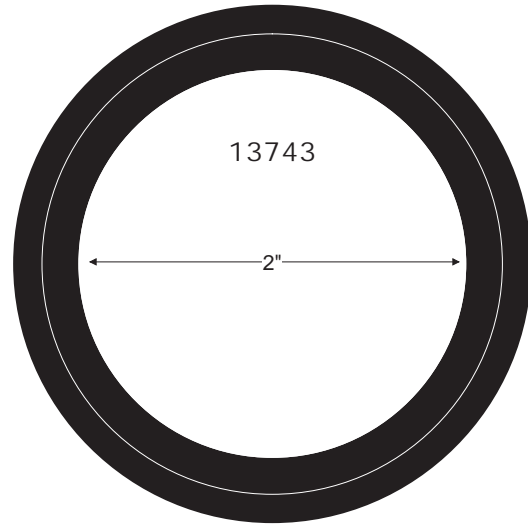
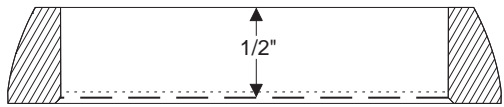
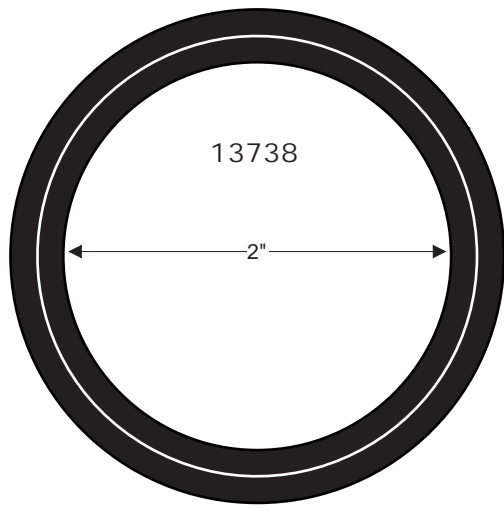
## Type 1

Nickson offers a complete line of exhaust gaskets. Refer to the application catalog for a detailed listing.



## Type 1

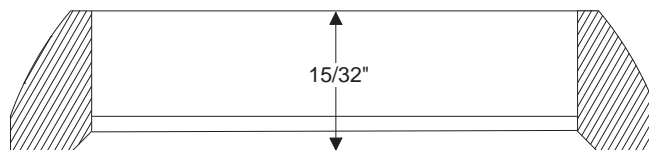
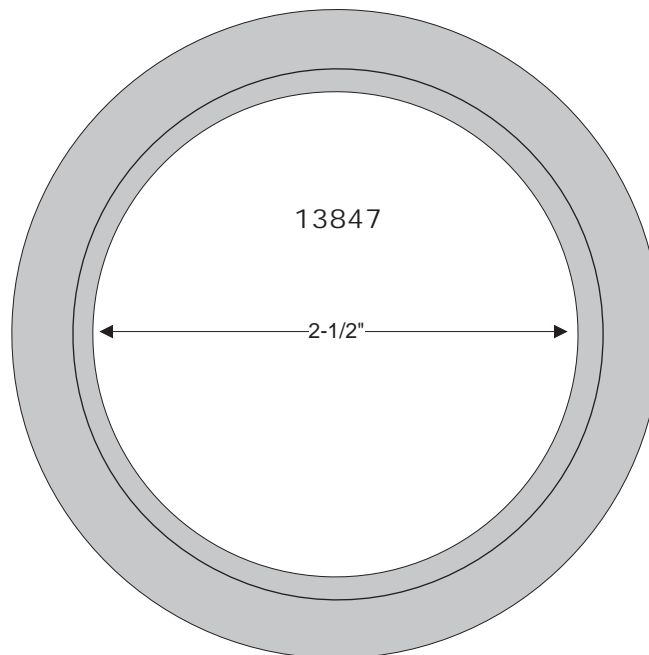
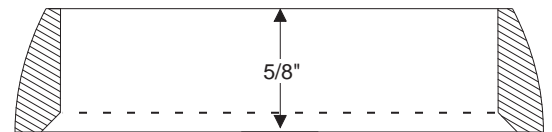
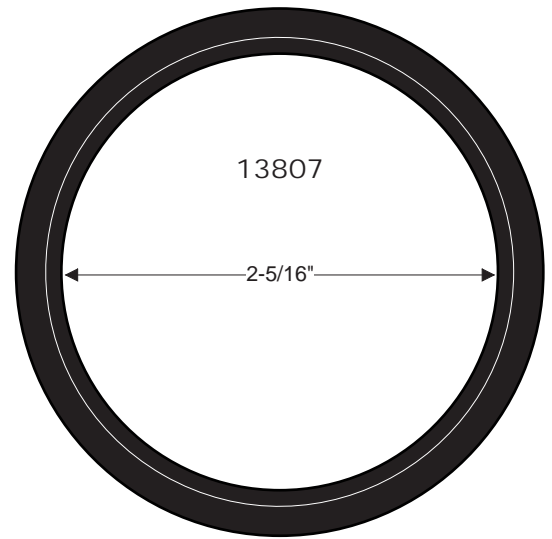
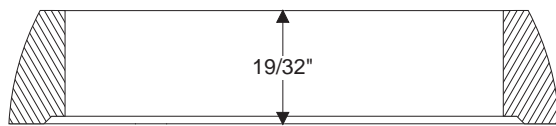
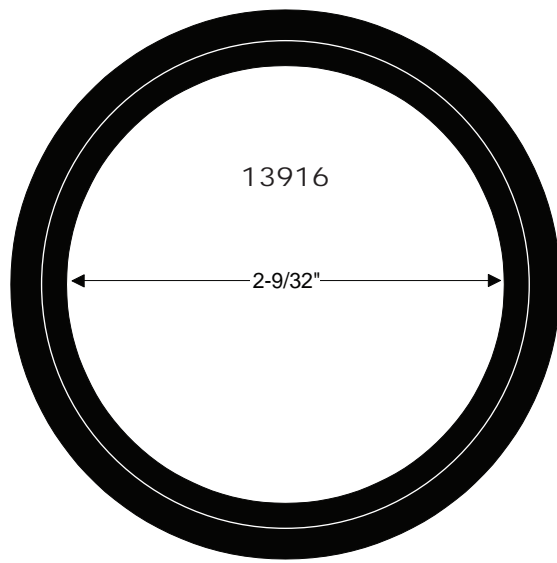
Nickson offers a complete line of exhaust gaskets. Refer to the application catalog for a detailed listing.



# Exhaust Gaskets "Top 100 Illustrations"

## Type 1

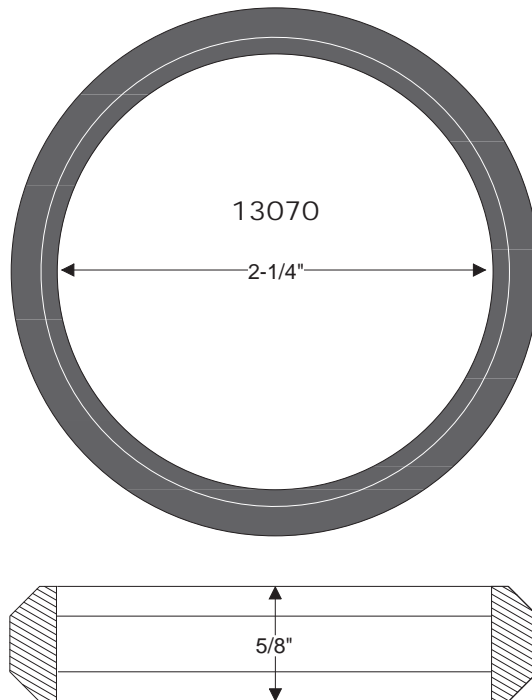
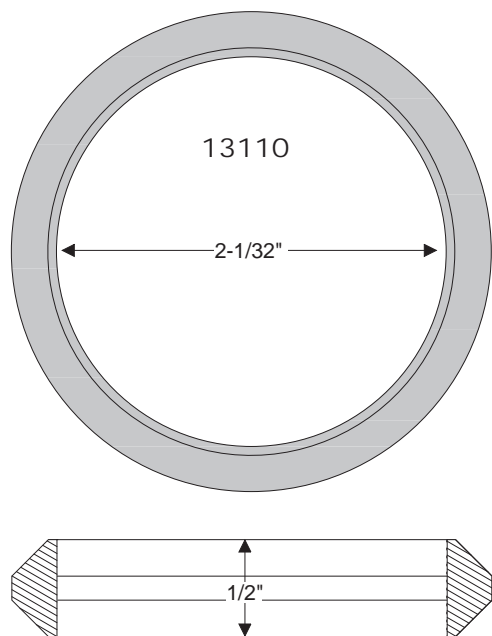
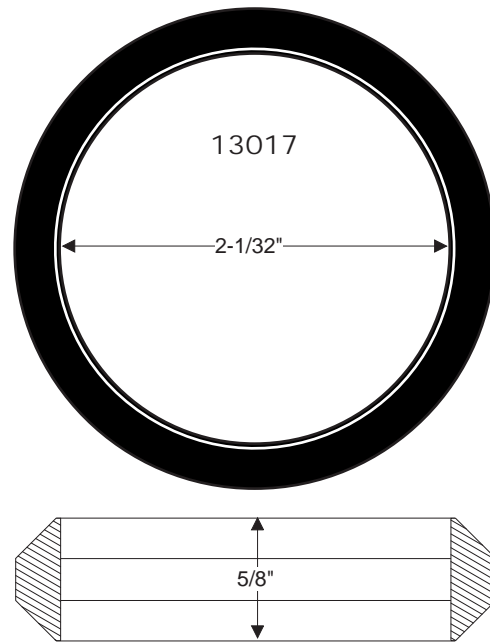
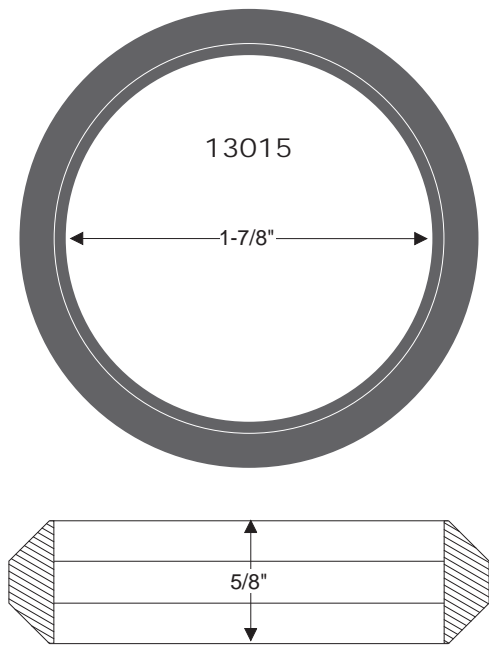
Nickson offers a complete line of exhaust gaskets. Refer to the application catalog for a detailed listing.



**DESIGN MAKES  
THE DIFFERENCE**

## Type 3

Nickson offers a complete line of exhaust gaskets. Refer to the application catalog for a detailed listing.

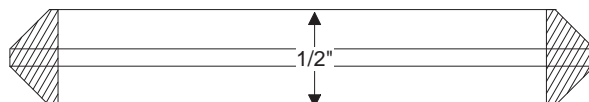
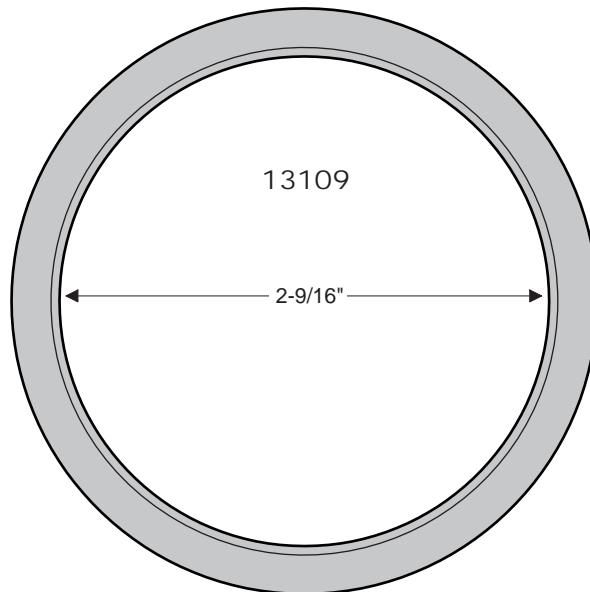
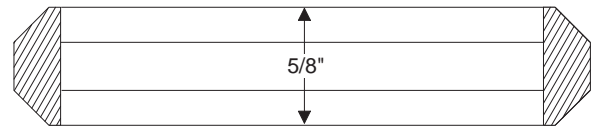
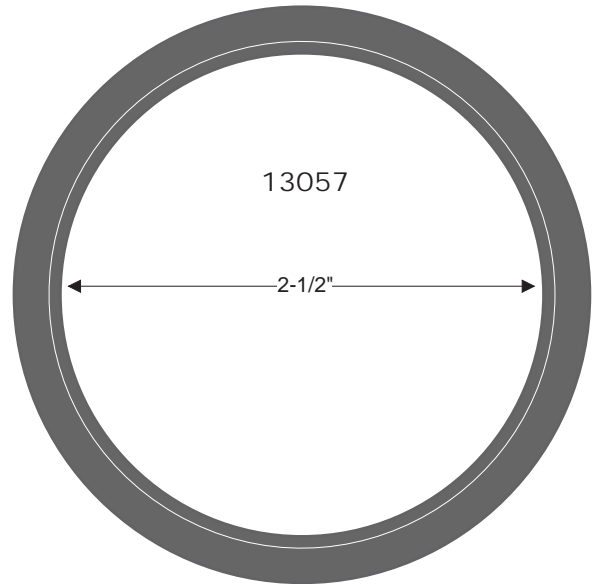
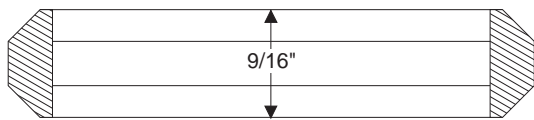
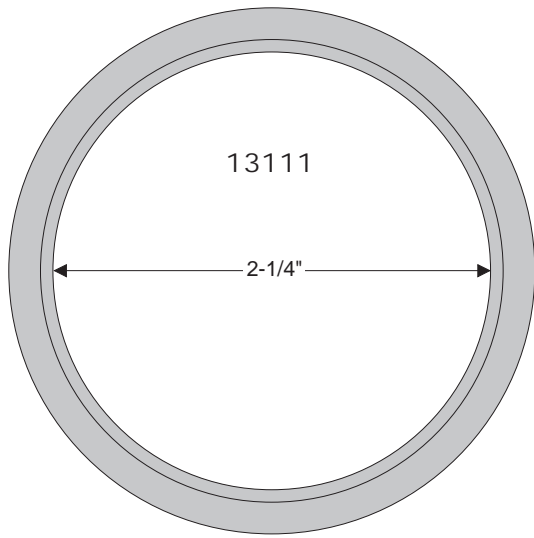




# Exhaust Gaskets "Top 100 Illustrations"

## Type 3

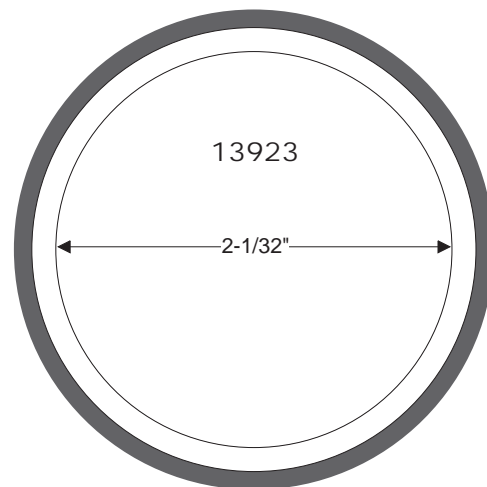
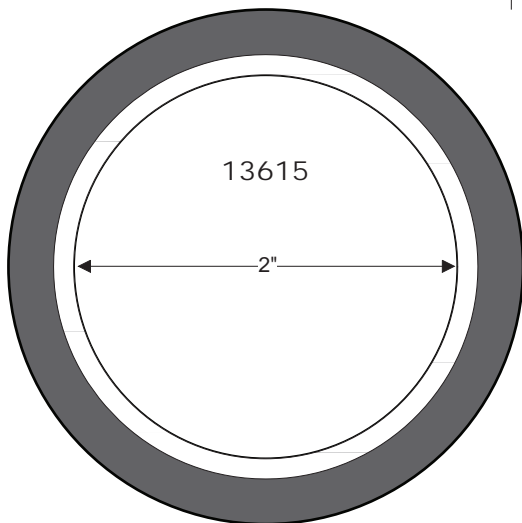
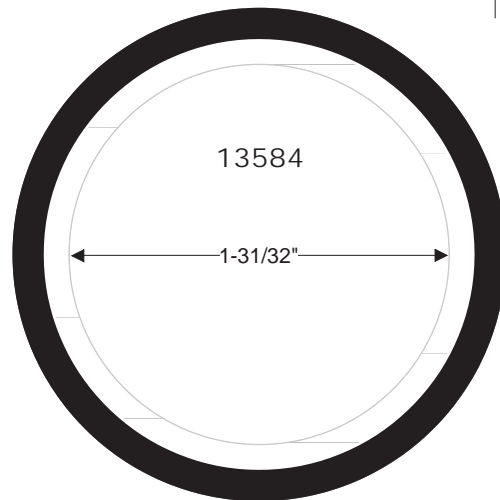
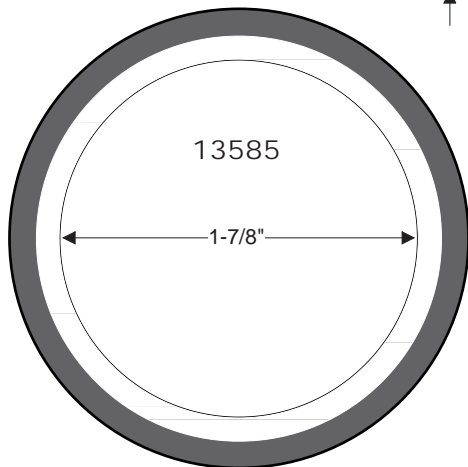
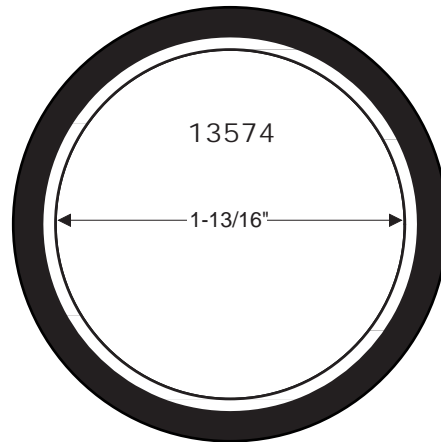
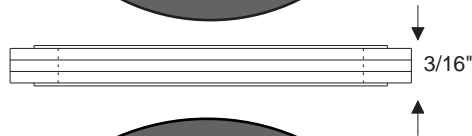
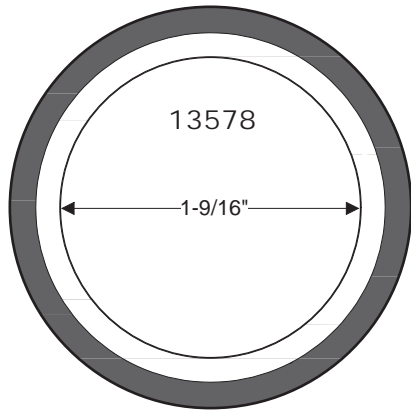
Nickson offers a complete line of exhaust gaskets. Refer to the application catalog for a detailed listing.



**DESIGN MAKES  
THE DIFFERENCE**

## Type 4

Nickson offers a complete line of exhaust gaskets. Refer to the application catalog for a detailed listing.

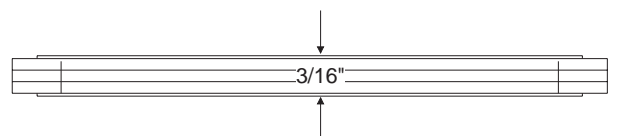
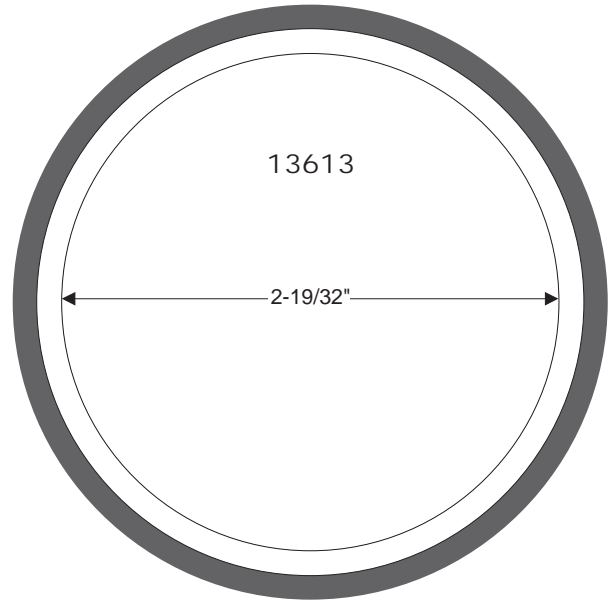
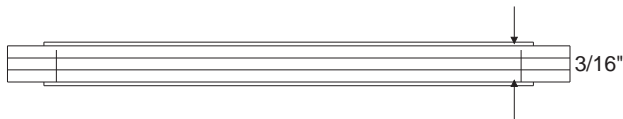
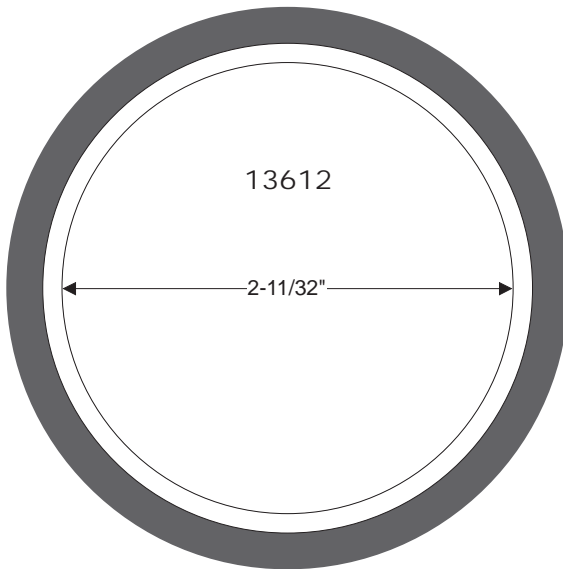
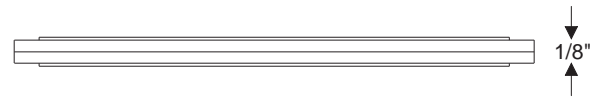
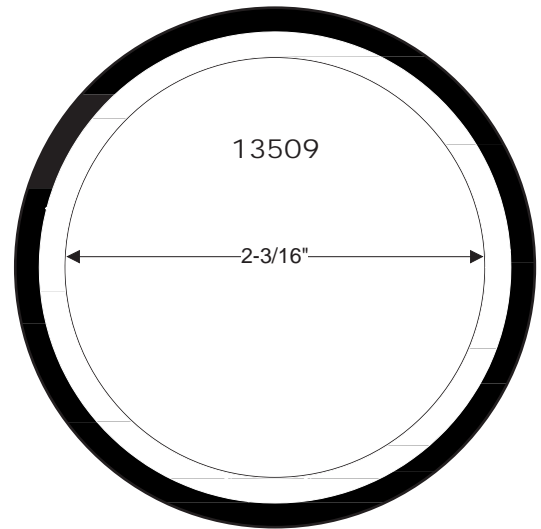
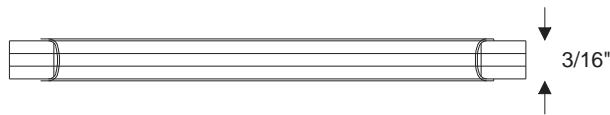
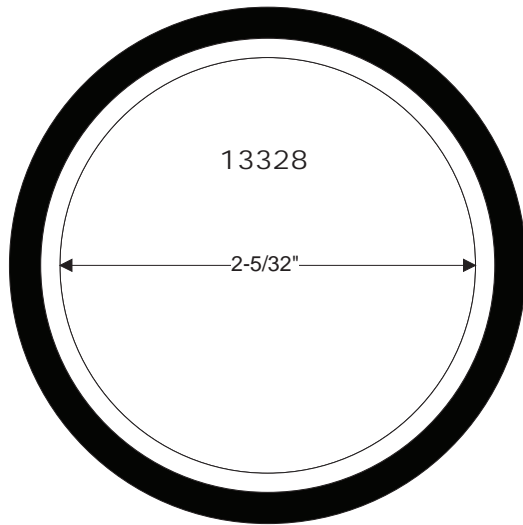


**DESIGN MAKES  
THE DIFFERENCE**

# Exhaust Gaskets "Top 100 Illustrations"

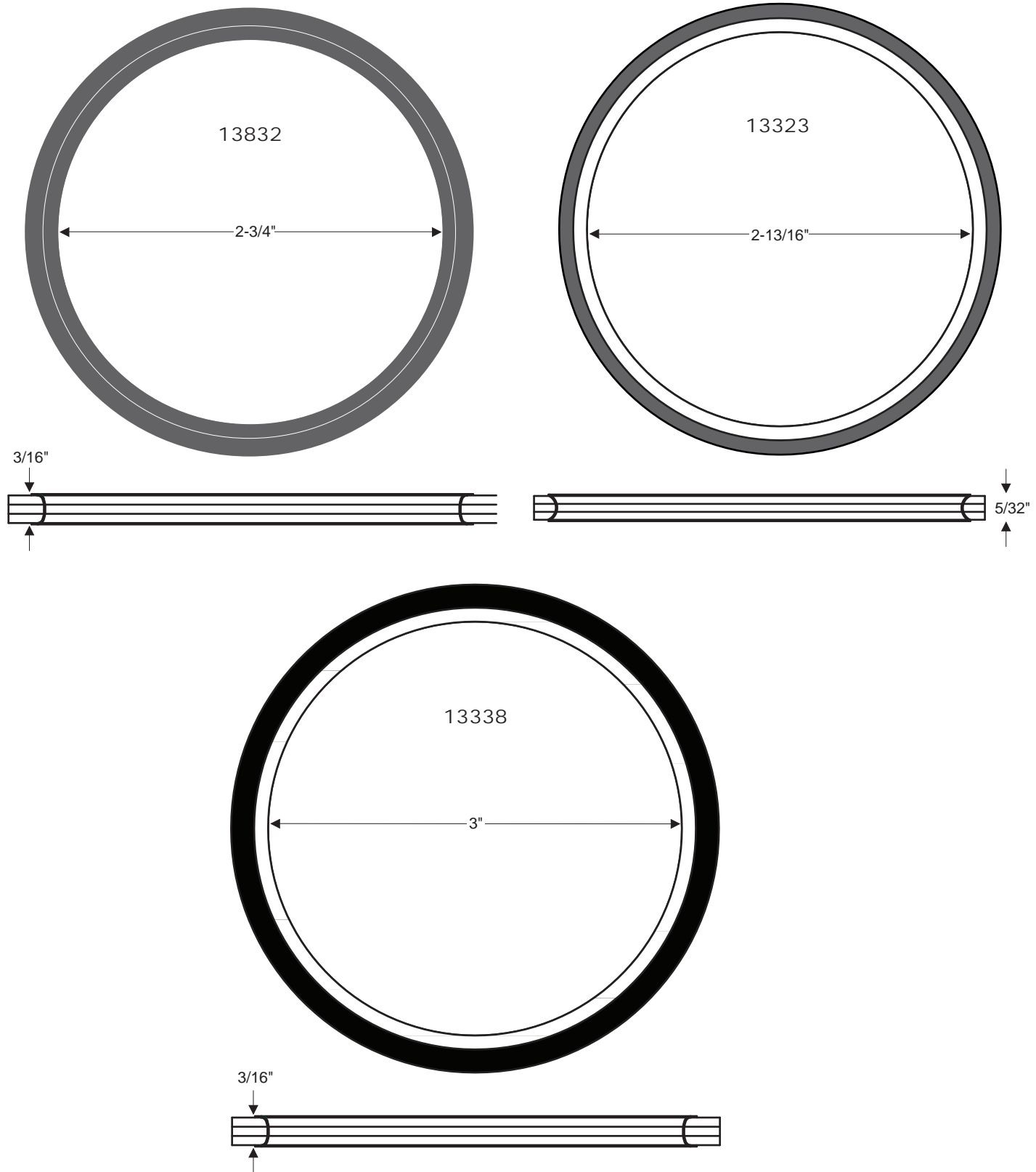
## Type 4

Nickson offers a complete line of exhaust gaskets. Refer to the application catalog for a detailed listing.



## Type 4

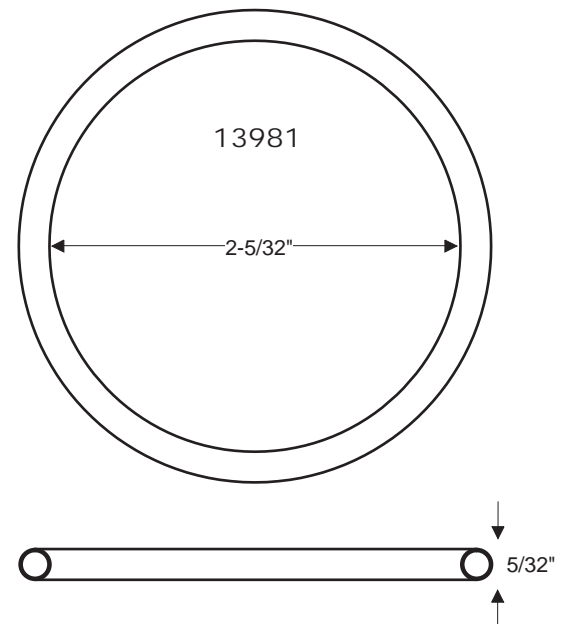
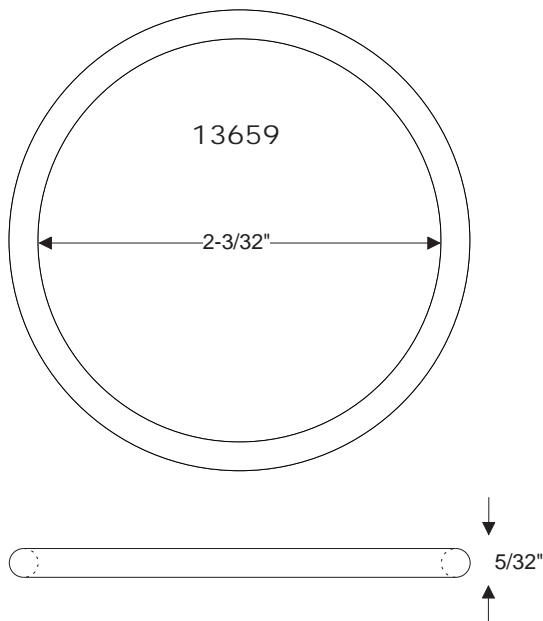
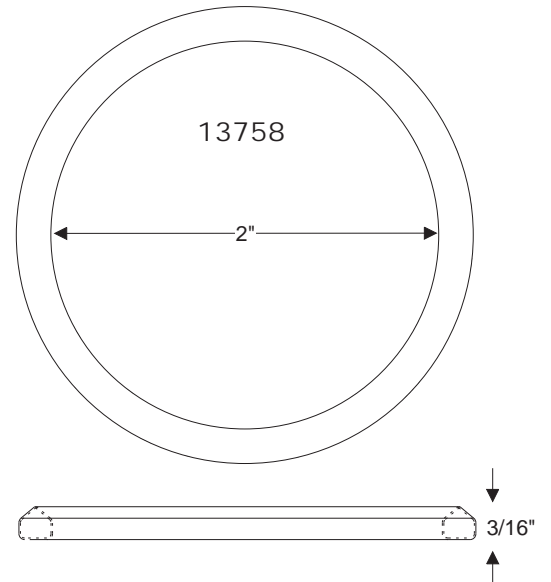
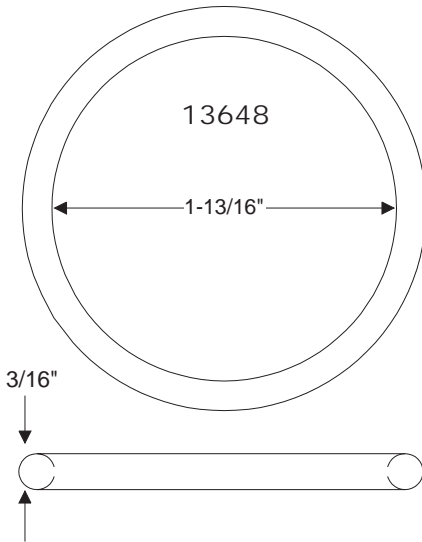
Nickson offers a complete line of exhaust gaskets. Refer to the application catalog for a detailed listing.



# Exhaust Gaskets "Top 100 Illustrations"

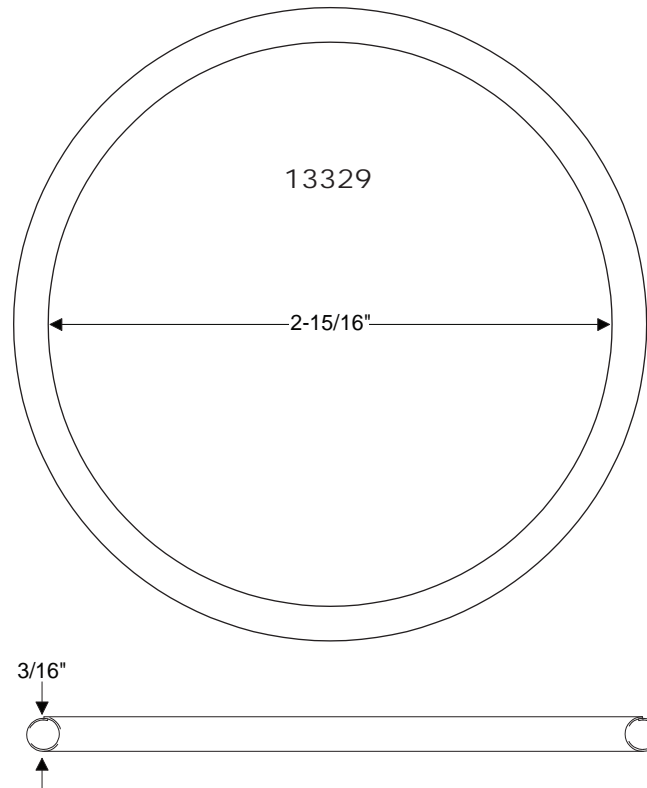
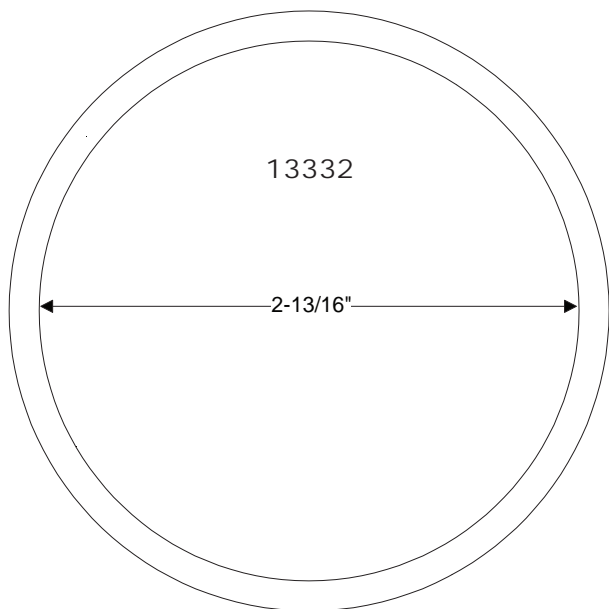
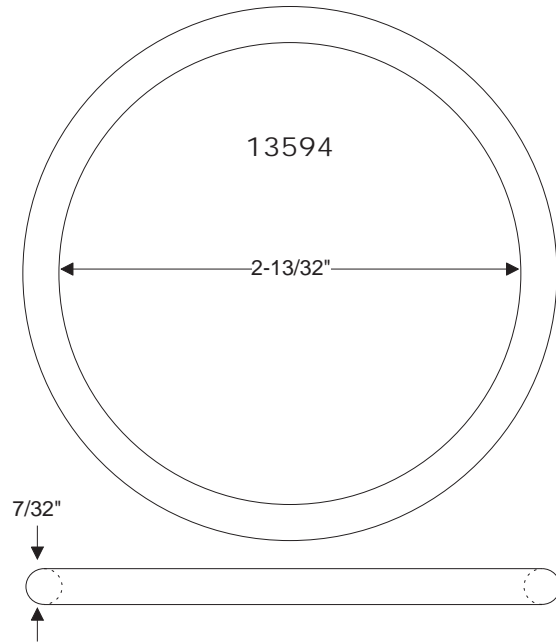
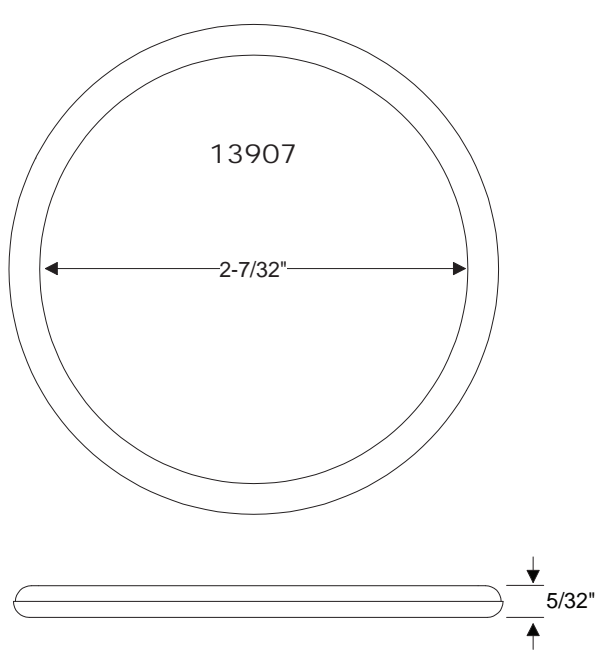
## Type 5

Nickson offers a complete line of exhaust gaskets. Refer to the application catalog for a detailed listing.



## Type 5

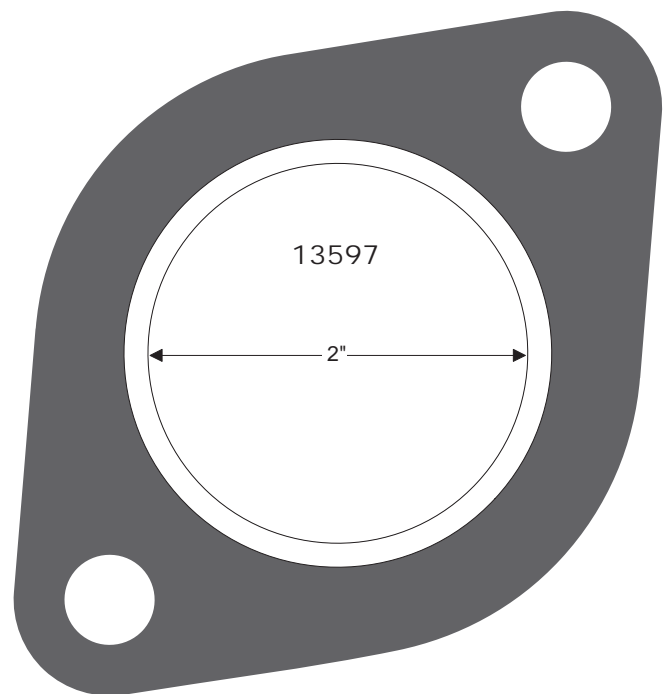
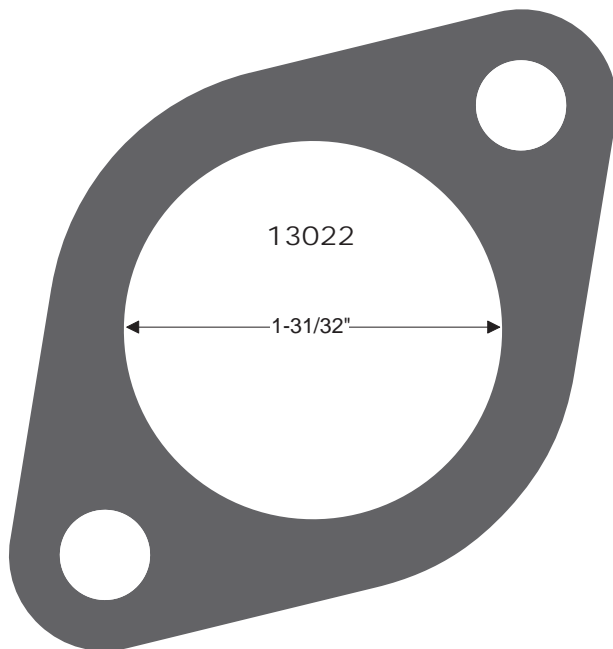
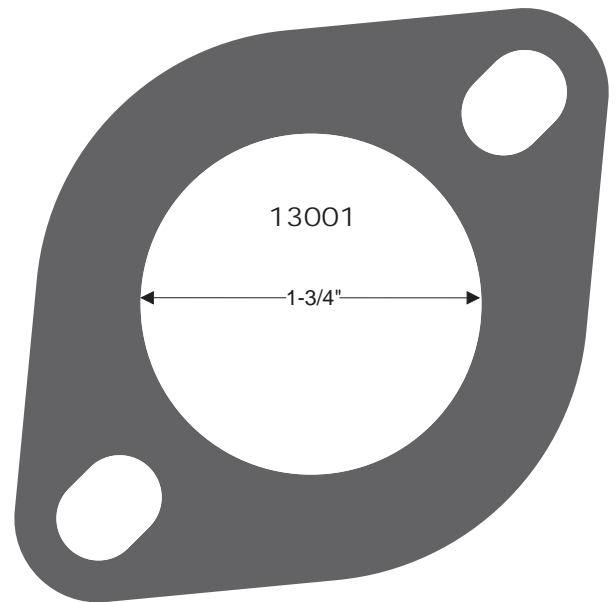
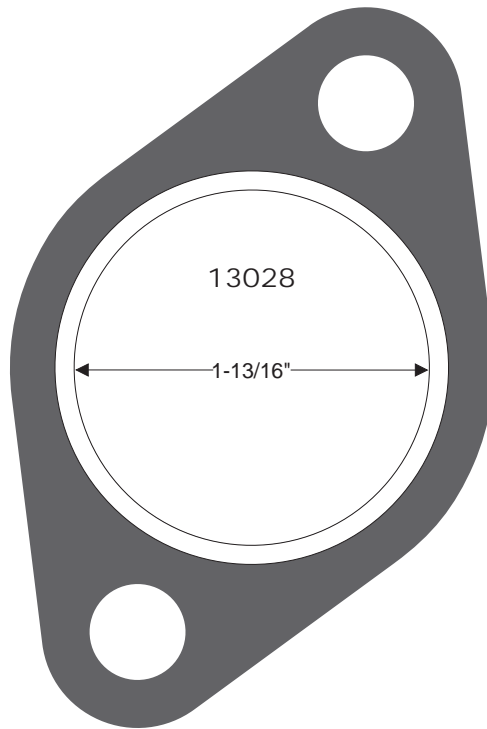
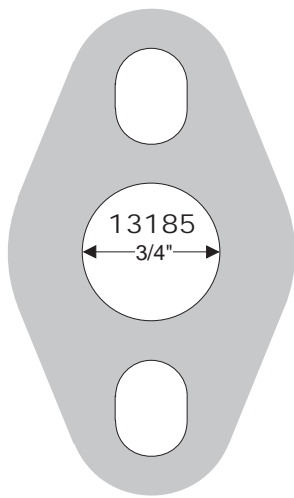
Nickson offers a complete line of exhaust gaskets. Refer to the application catalog for a detailed listing.



# Exhaust Gaskets "Top 100 Illustrations"

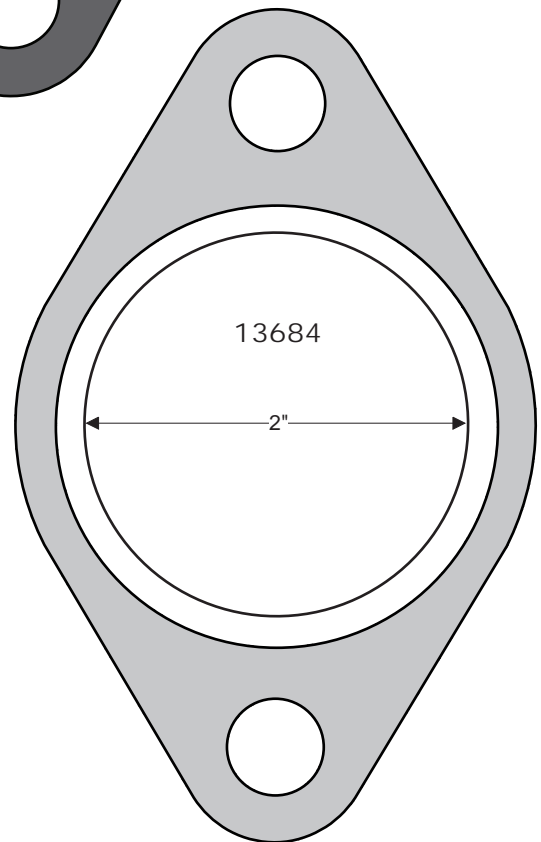
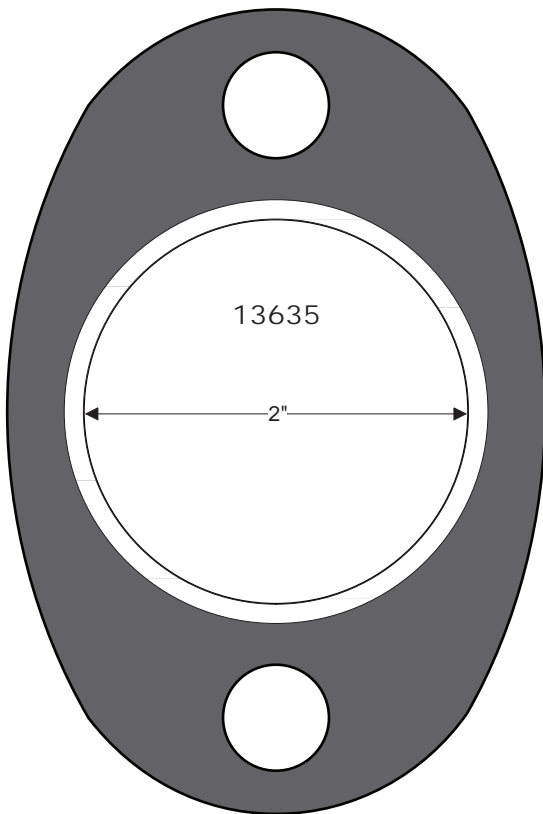
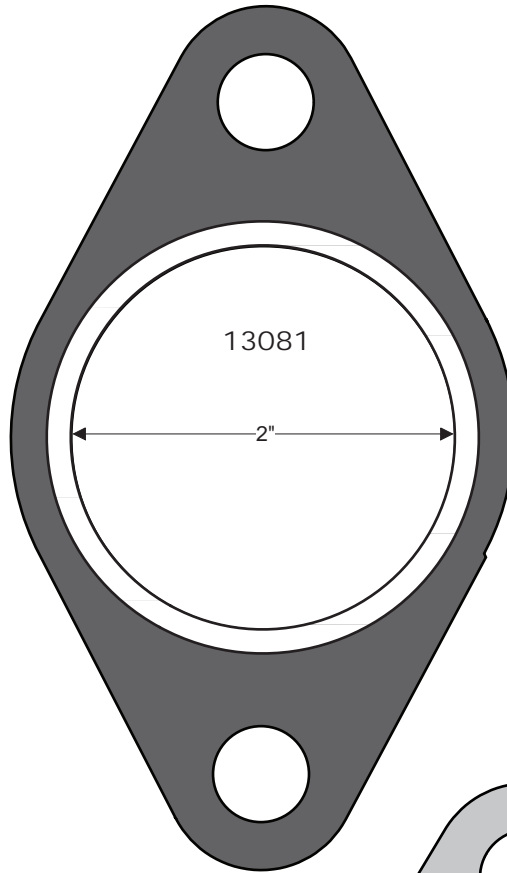
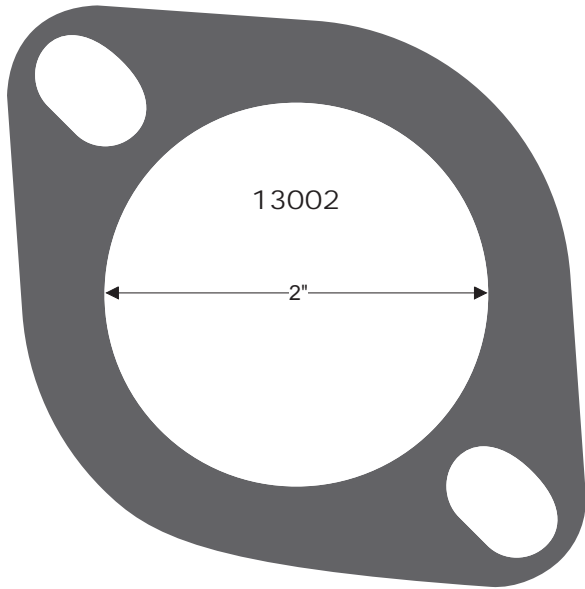
## Type 7

Nickson offers a complete line of exhaust gaskets. Refer to the application catalog for a detailed listing.



## Type 7

Nickson offers a complete line of exhaust gaskets. Refer to the application catalog for a detailed listing.

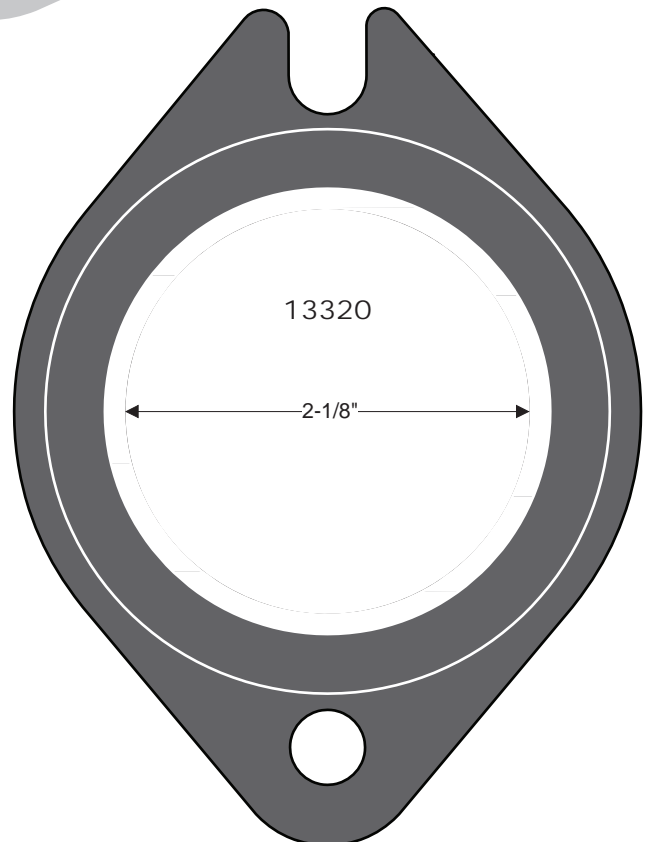
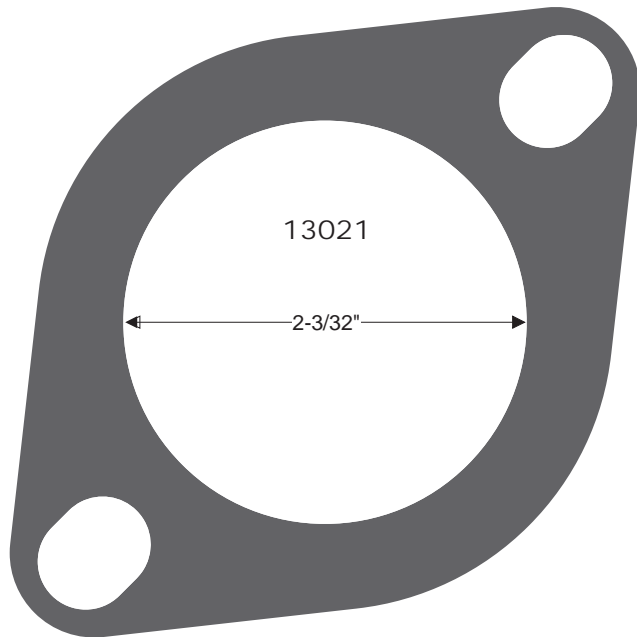
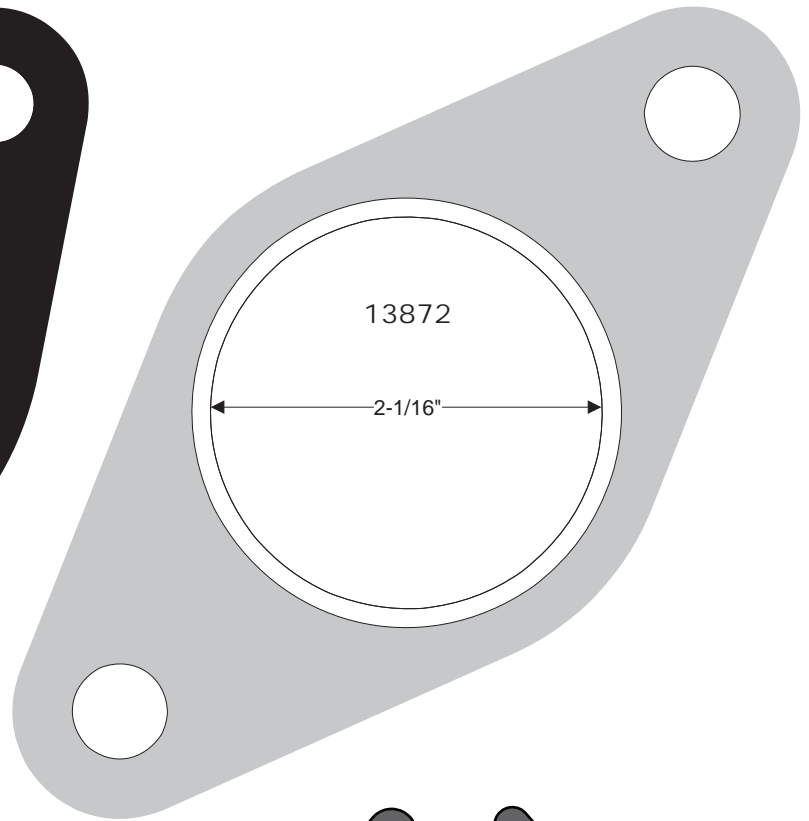
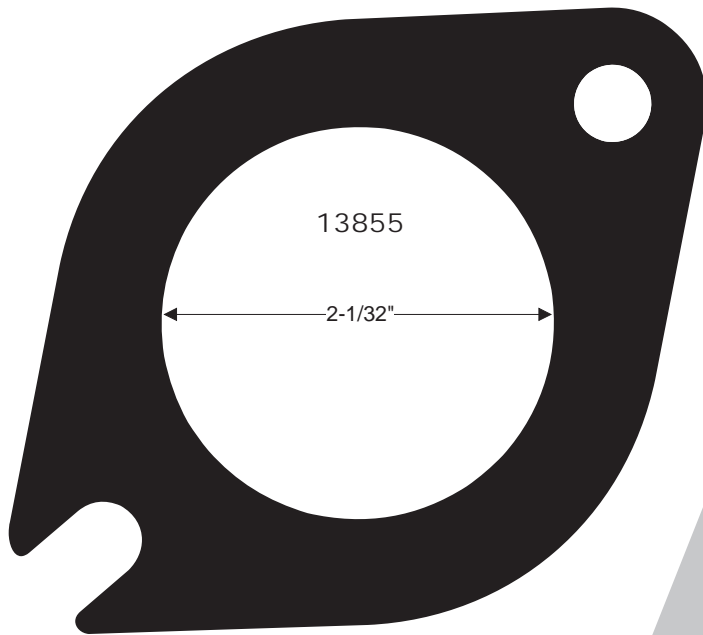




# Exhaust Gaskets "Top 100 Illustrations"

## Type 7

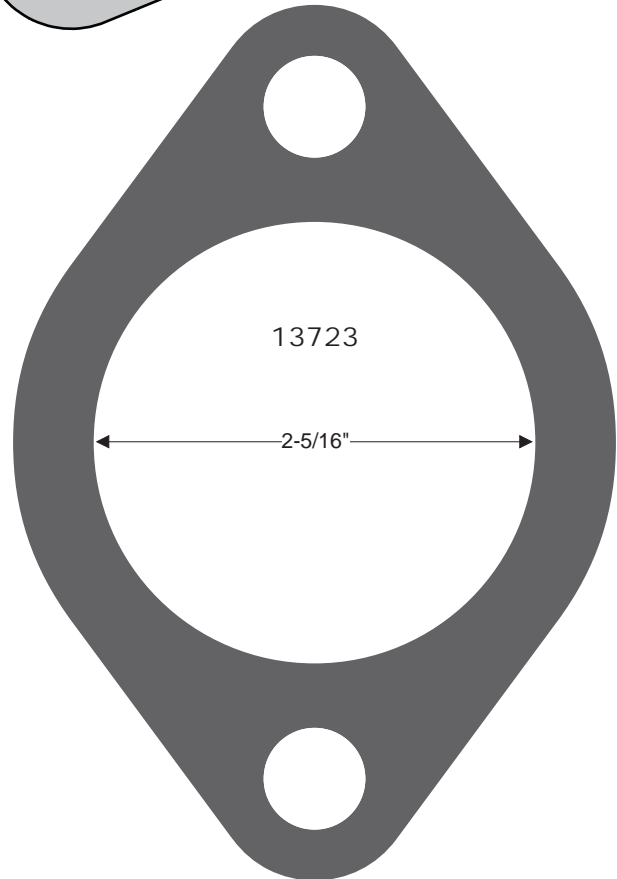
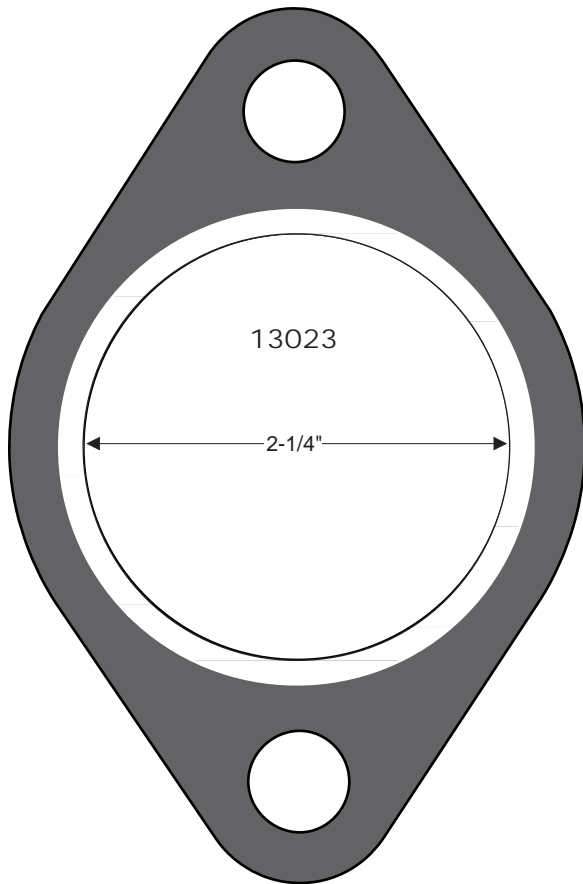
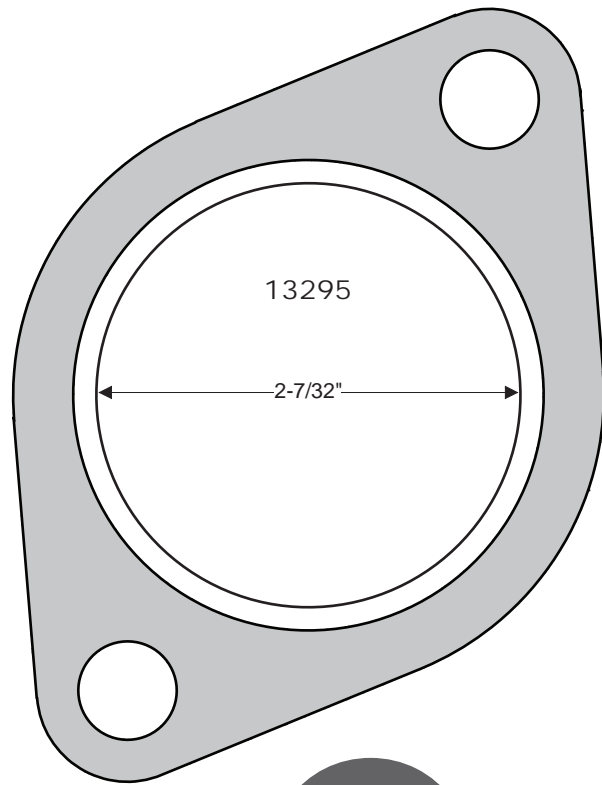
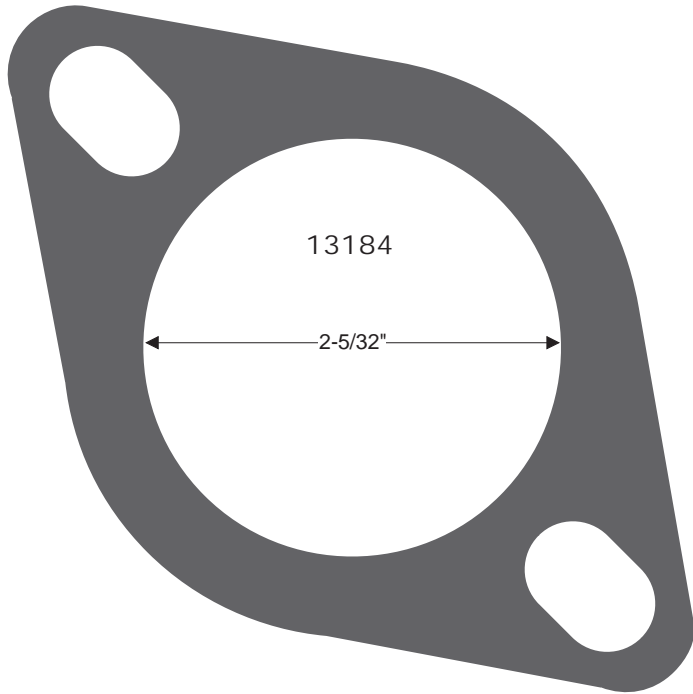
Nickson offers a complete line of exhaust gaskets. Refer to the application catalog for a detailed listing.



**DESIGN MAKES  
THE DIFFERENCE**

## Type 7

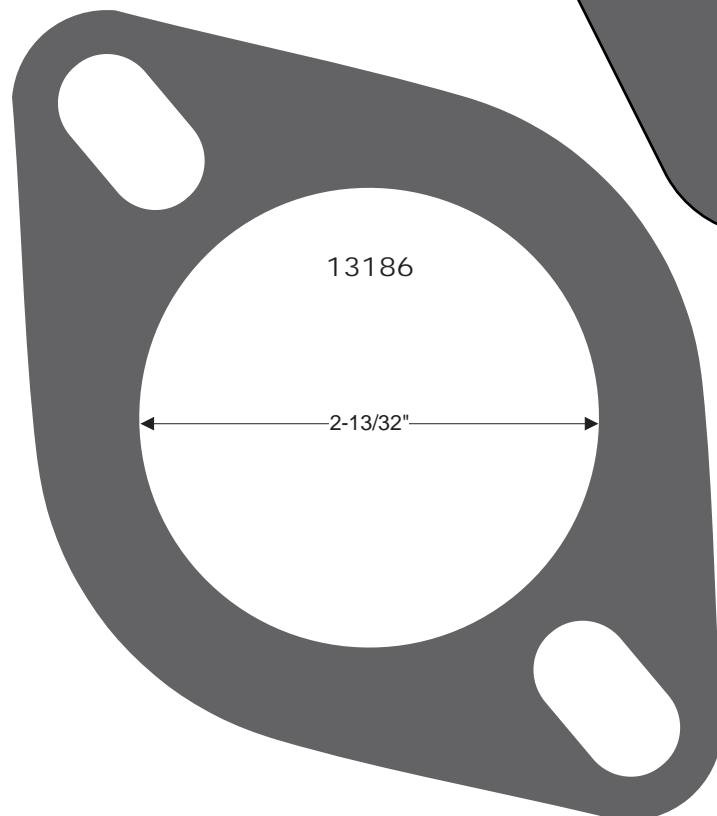
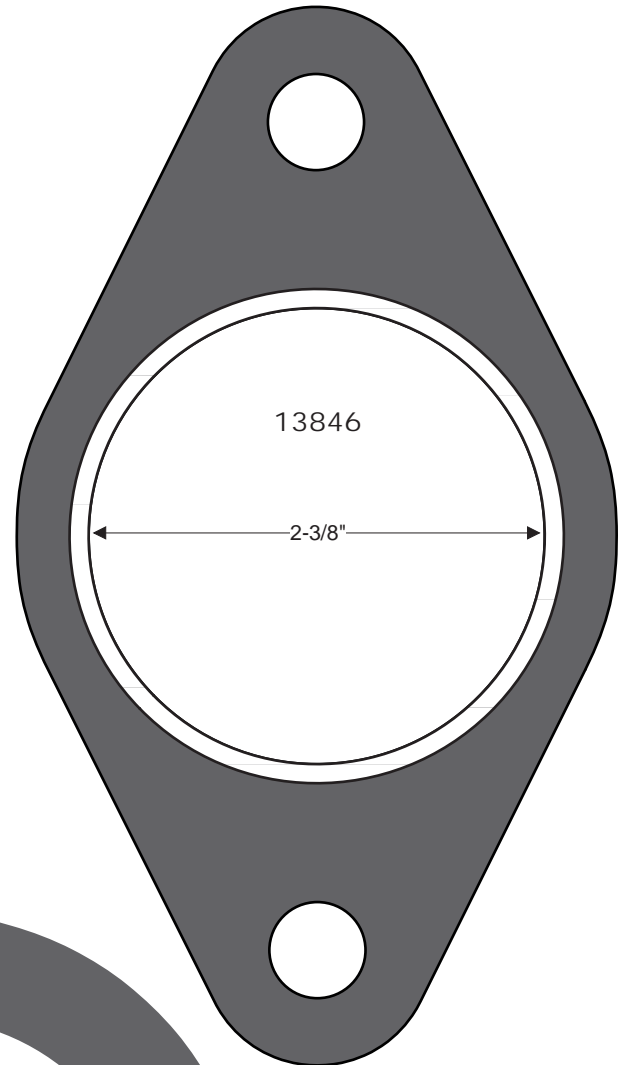
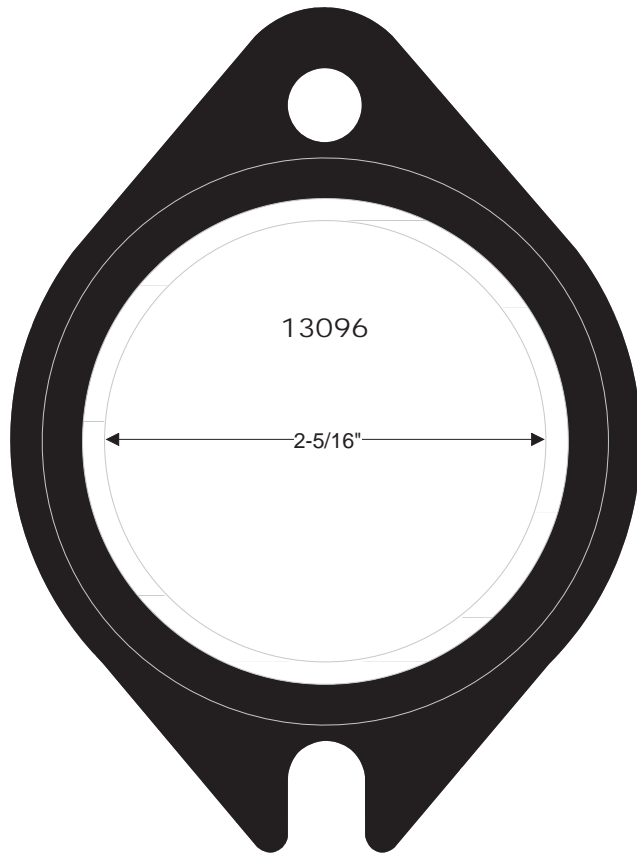
Nickson offers a complete line of exhaust gaskets. Refer to the application catalog for a detailed listing.



# Exhaust Gaskets "Top 100 Illustrations"

## Type 7

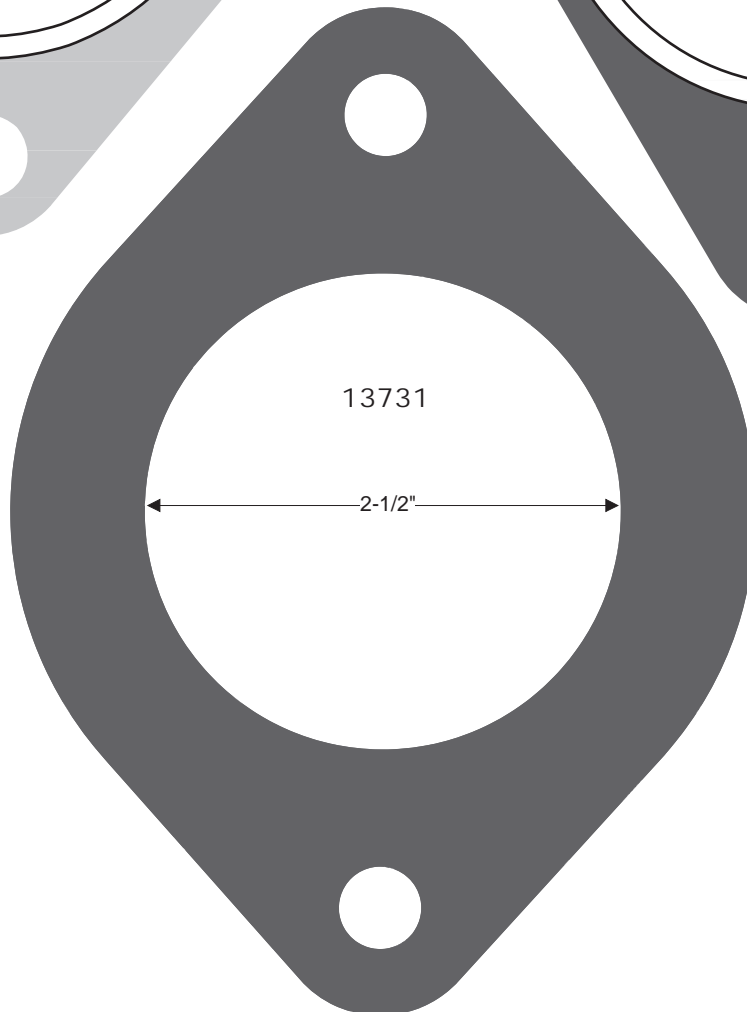
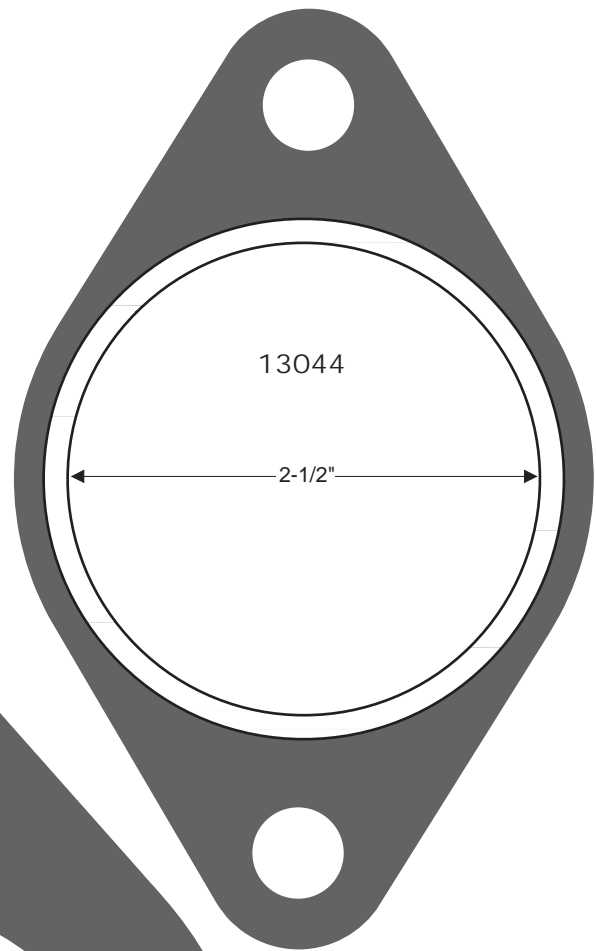
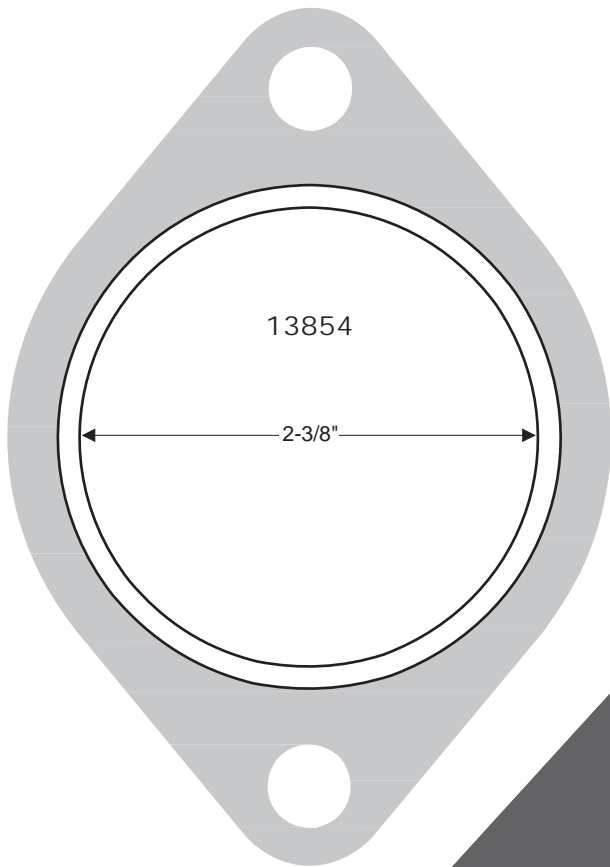
Nickson offers a complete line of exhaust gaskets. Refer to the application catalog for a detailed listing.



**DESIGN MAKES  
THE DIFFERENCE**

## Type 7

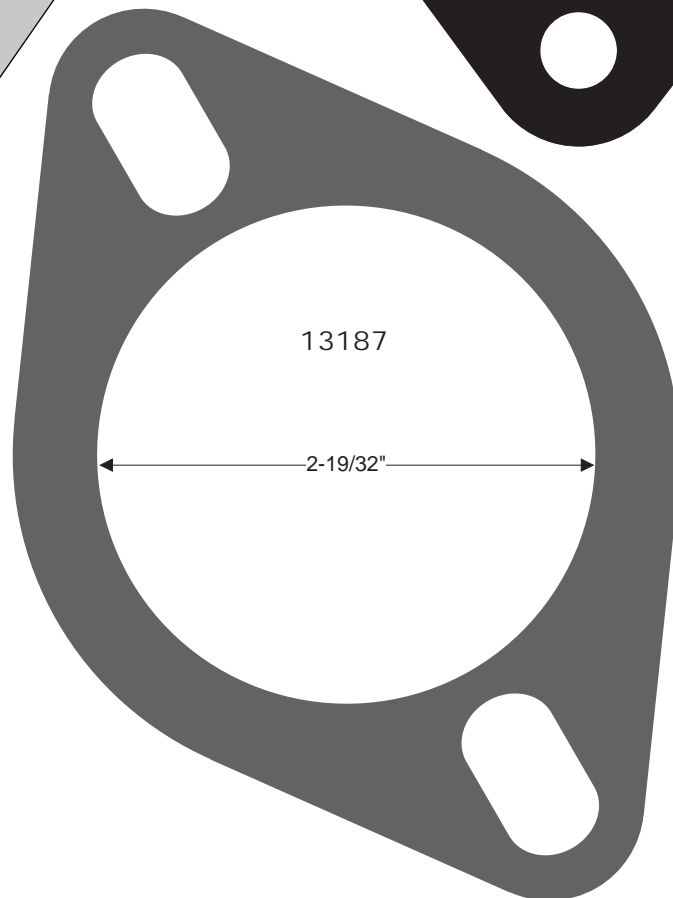
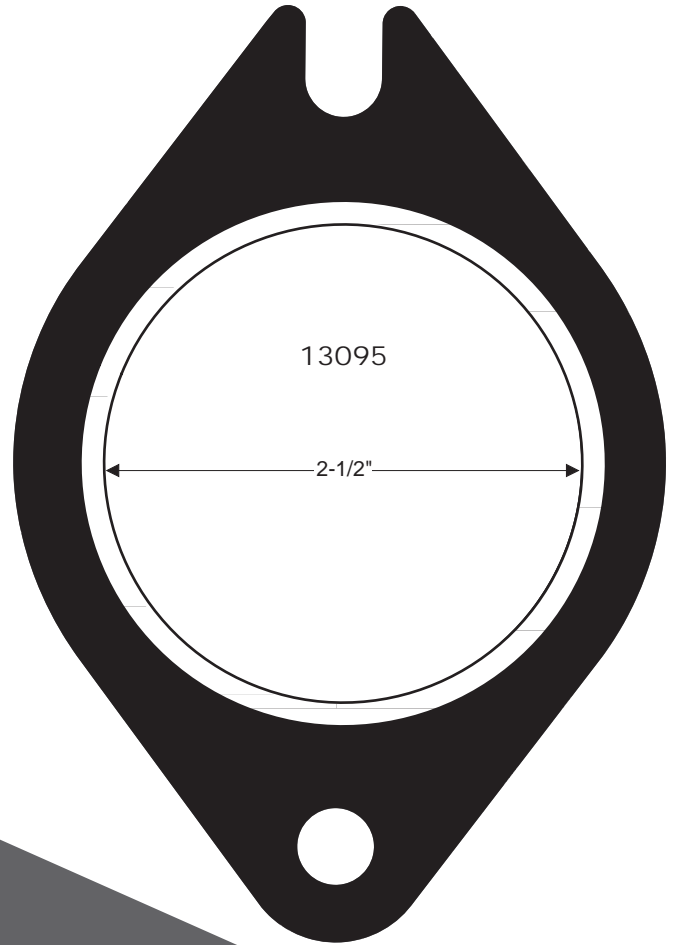
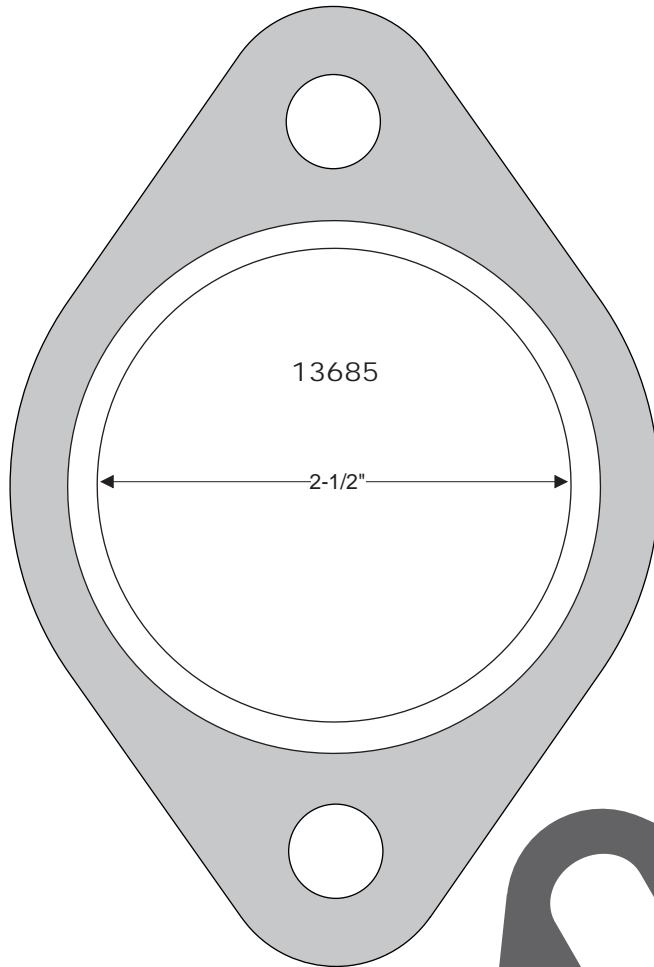
Nickson offers a complete line of exhaust gaskets. Refer to the application catalog for a detailed listing.



# Exhaust Gaskets "Top 100 Illustrations"

## Type 7

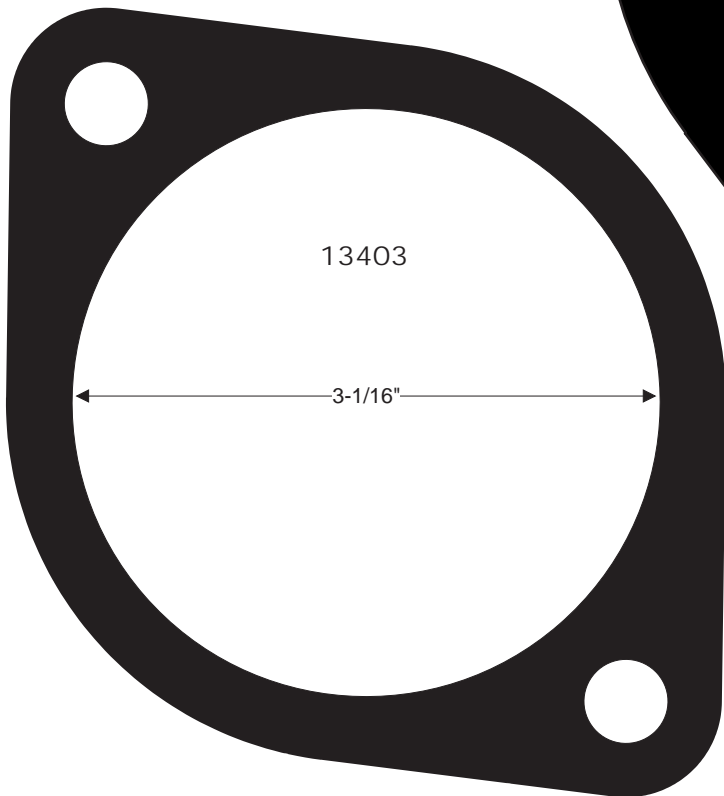
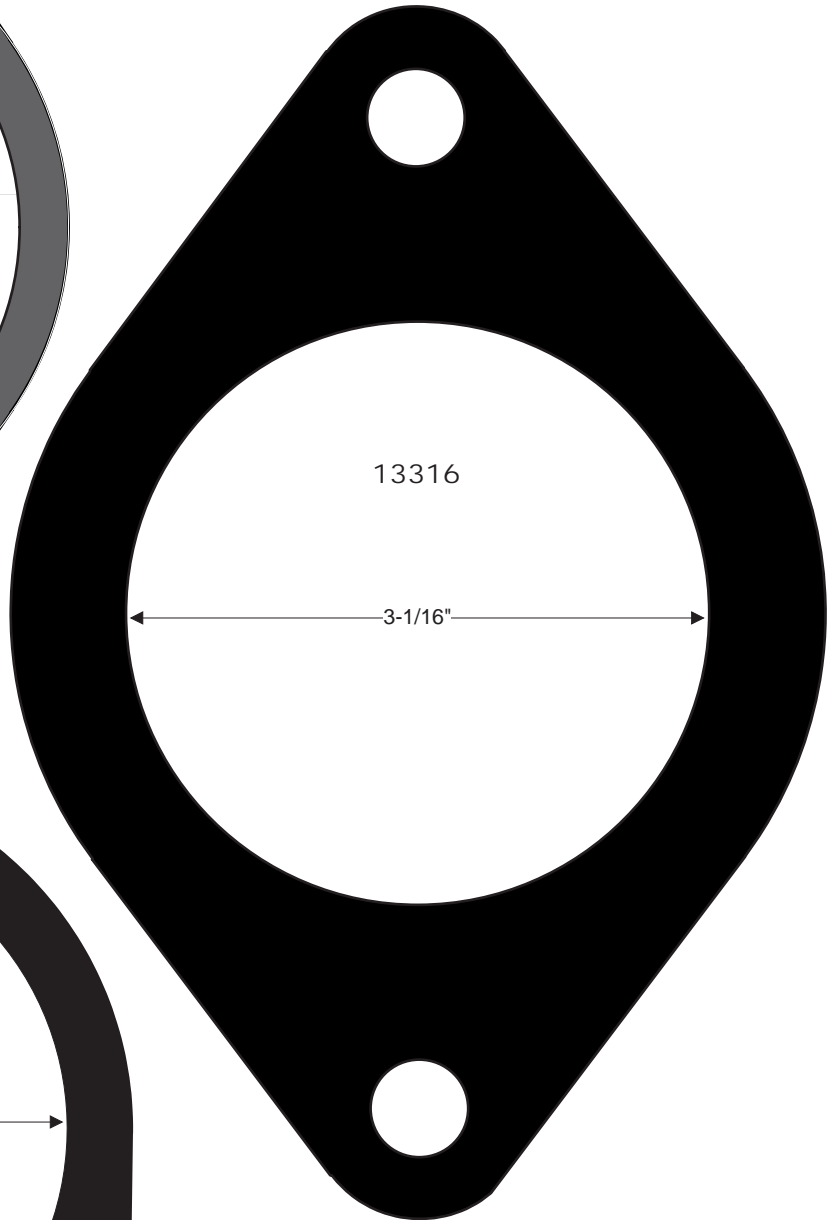
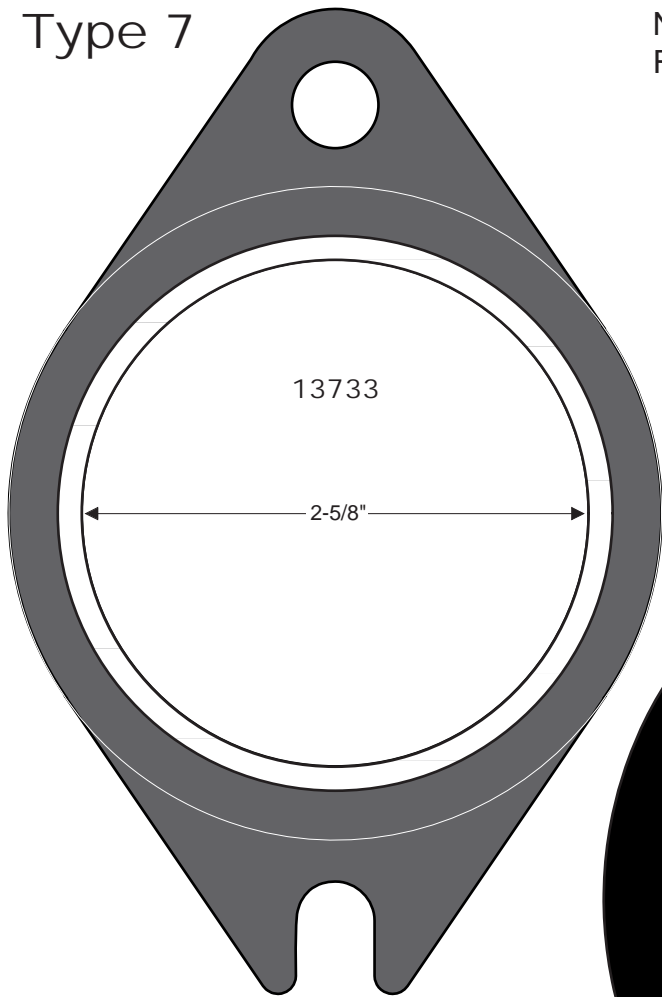
Nickson offers a complete line of exhaust gaskets. Refer to the application catalog for a detailed listing.



**DESIGN MAKES  
THE DIFFERENCE**

## Type 7

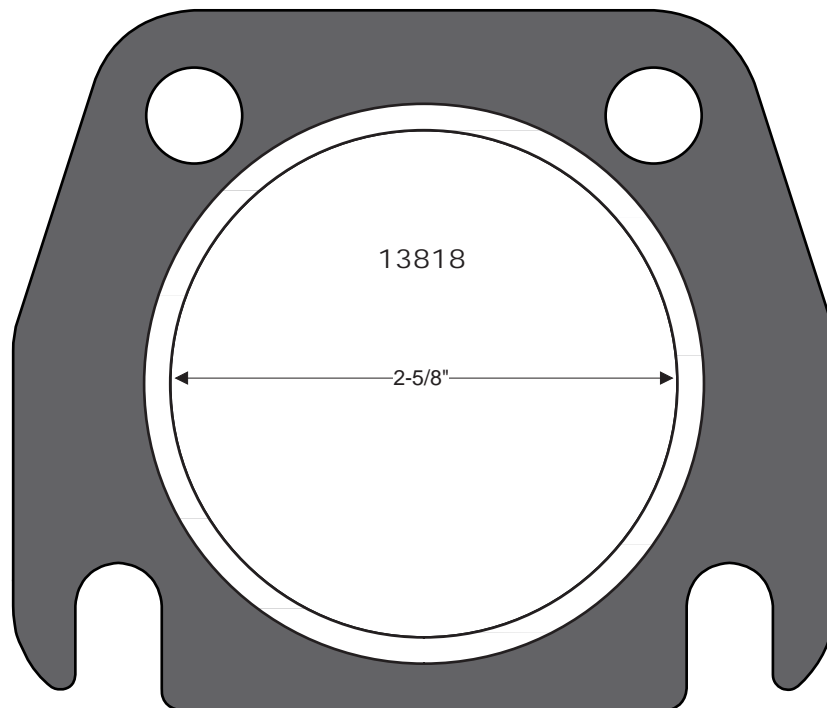
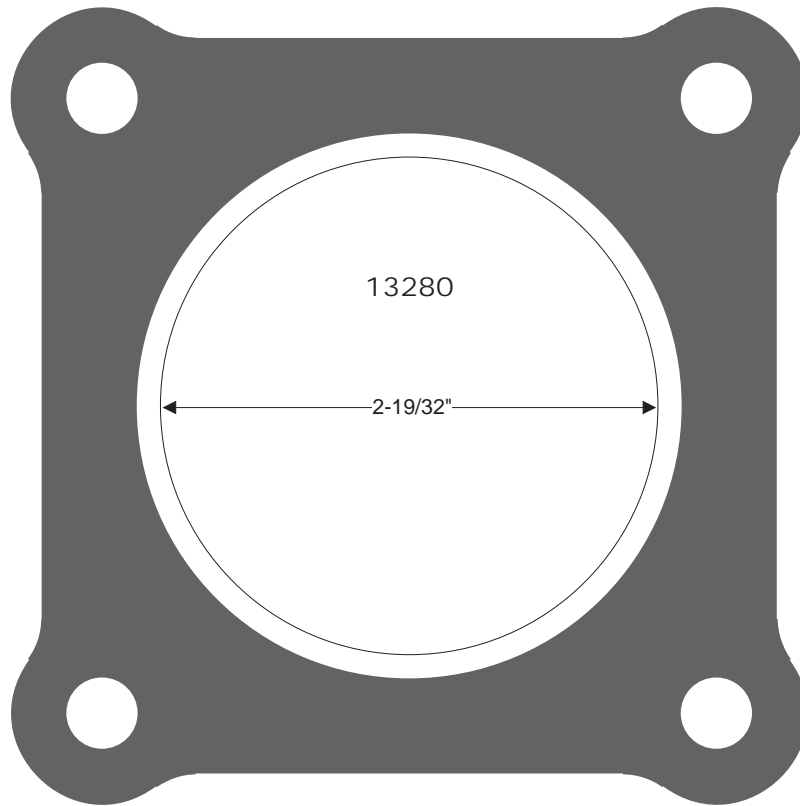
Nickson offers a complete line of exhaust gaskets. Refer to the application catalog for a detailed listing.



# Exhaust Gaskets "Top 100 Illustrations"

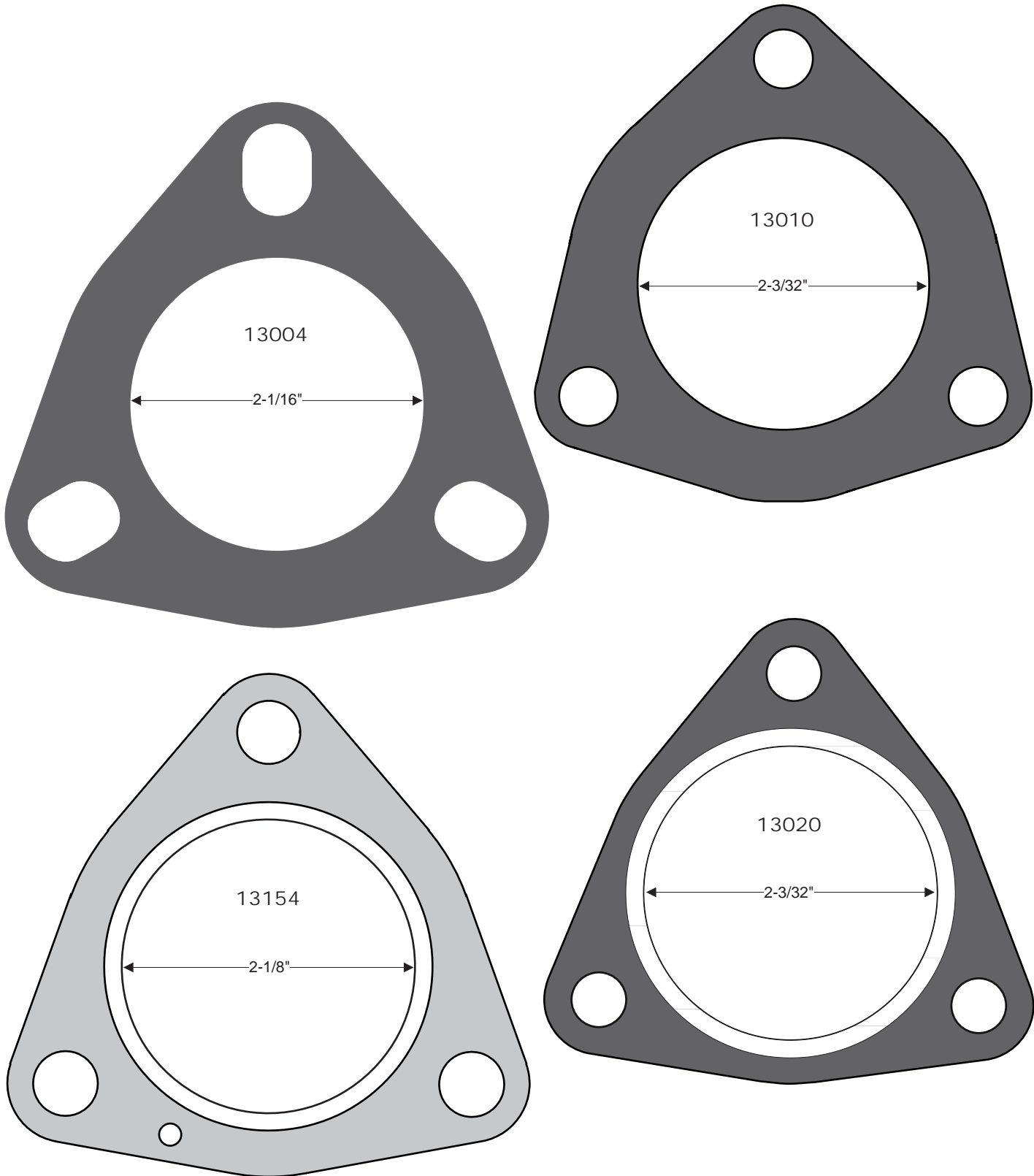
## Type 8

Nickson offers a complete line of exhaust gaskets. Refer to the application catalog for a detailed listing.



## Type 9

Nickson offers a complete line of exhaust gaskets. Refer to the application catalog for a detailed listing.

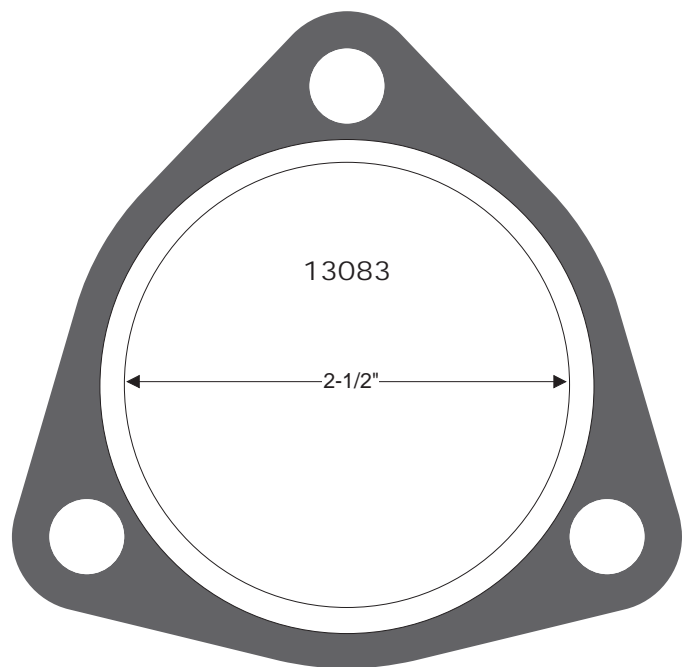
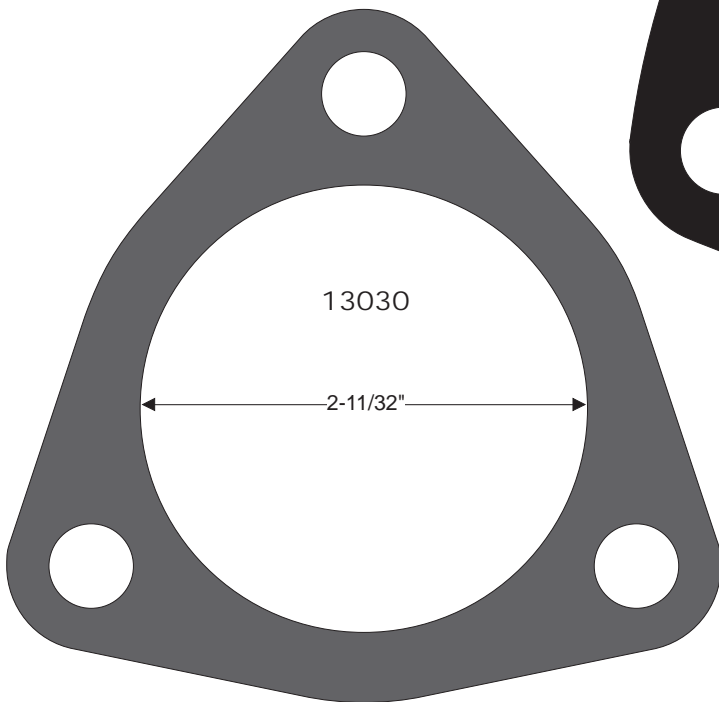
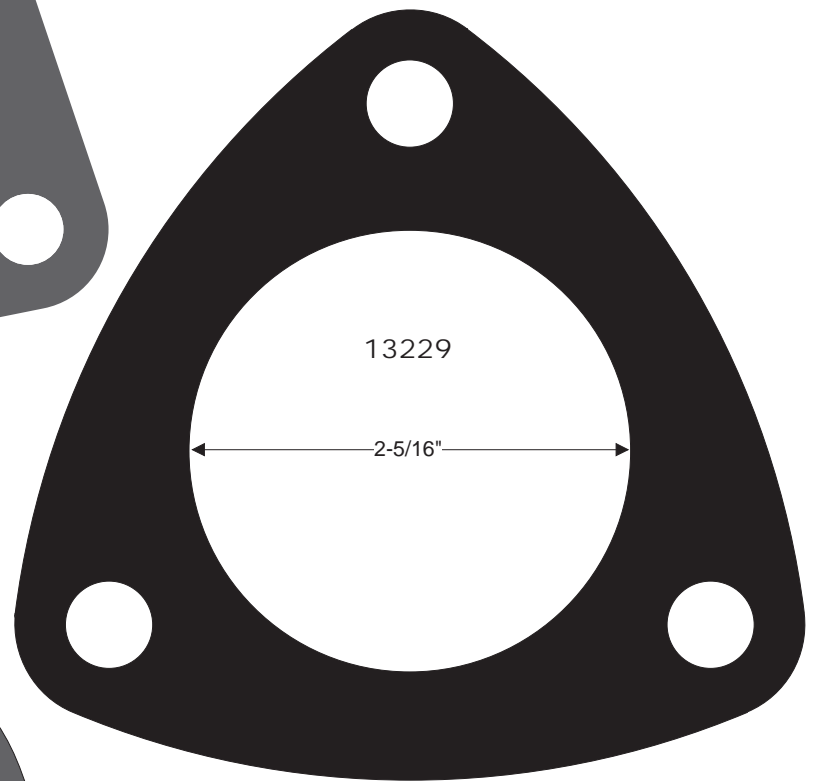
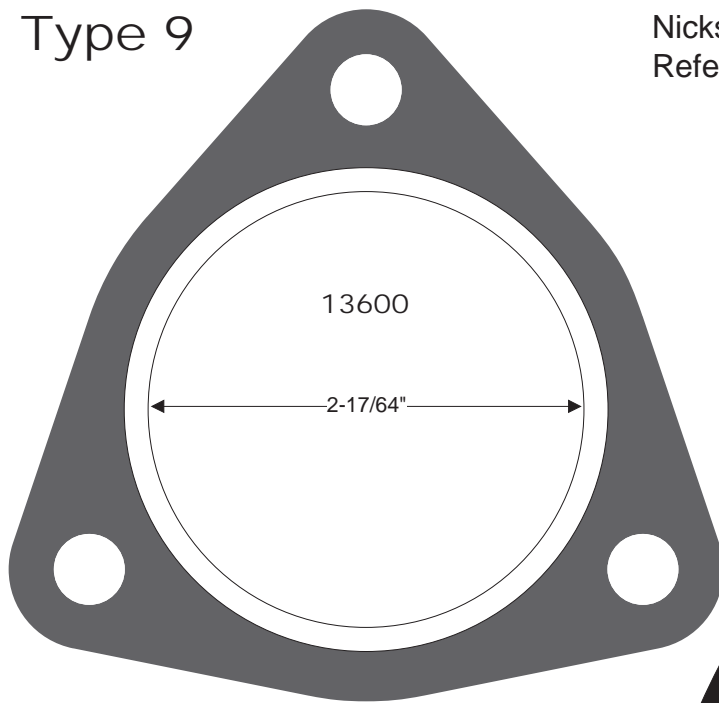




# Exhaust Gaskets "Top 100 Illustrations"

## Type 9

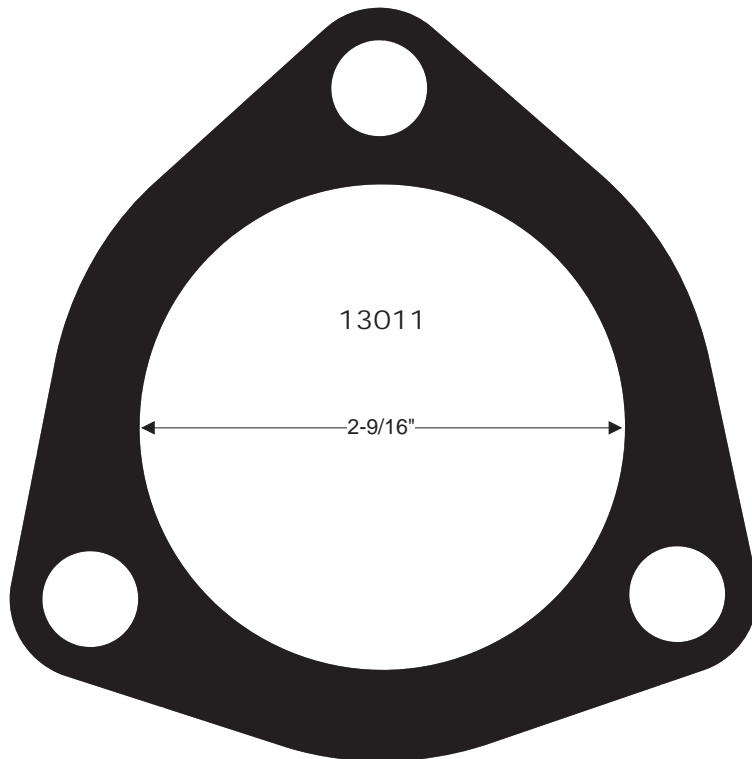
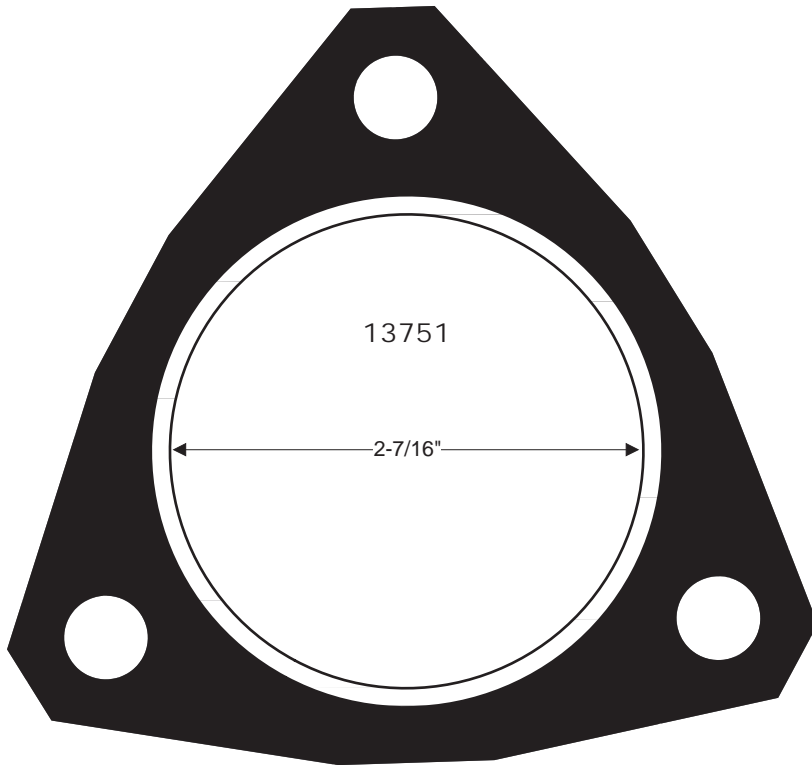
Nickson offers a complete line of exhaust gaskets. Refer to the application catalog for a detailed listing.



**DESIGN MAKES  
THE DIFFERENCE**

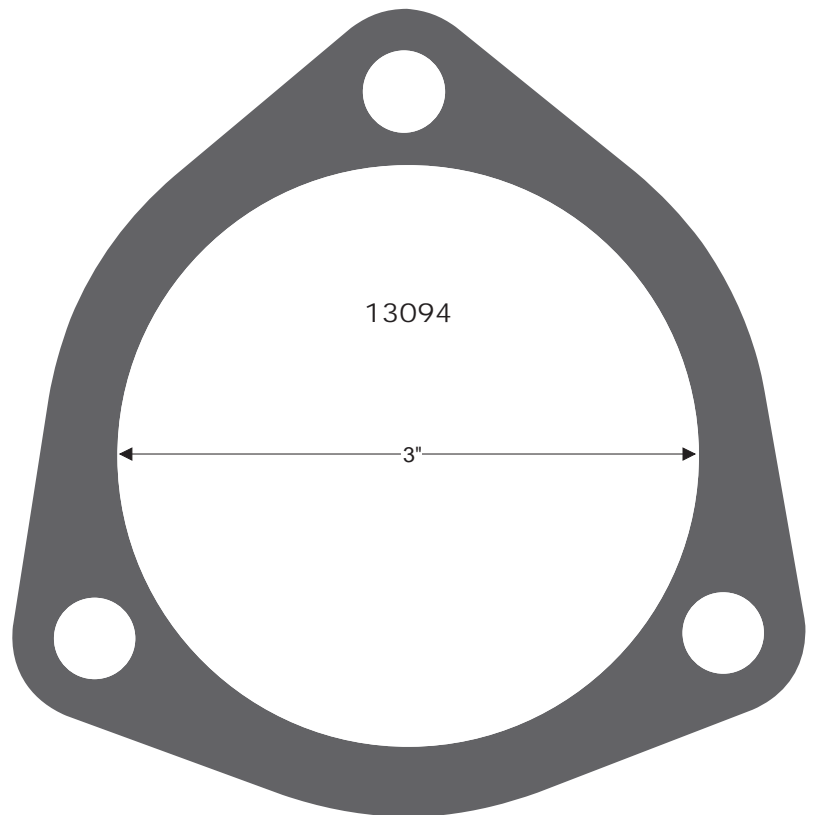
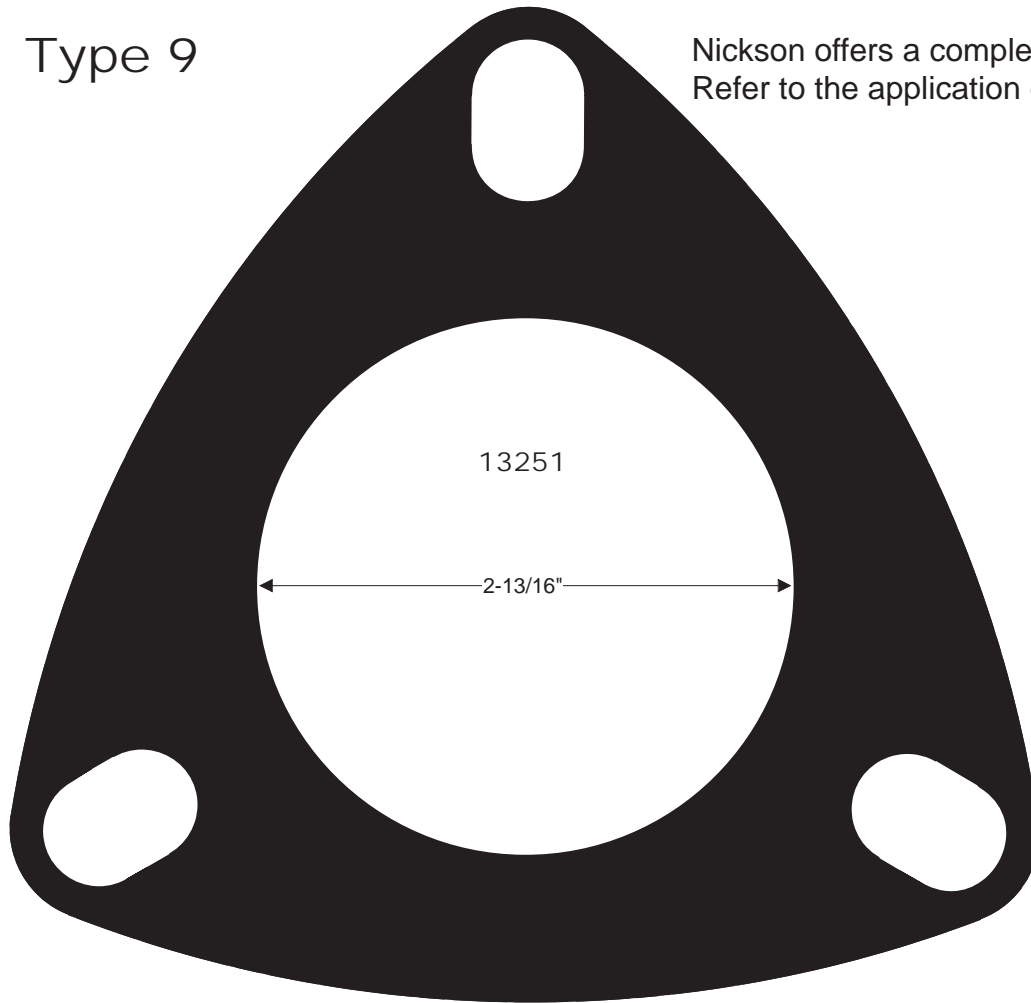
## Type 9

Nickson offers a complete line of exhaust gaskets.  
Refer to the application catalog for a detailed listing.



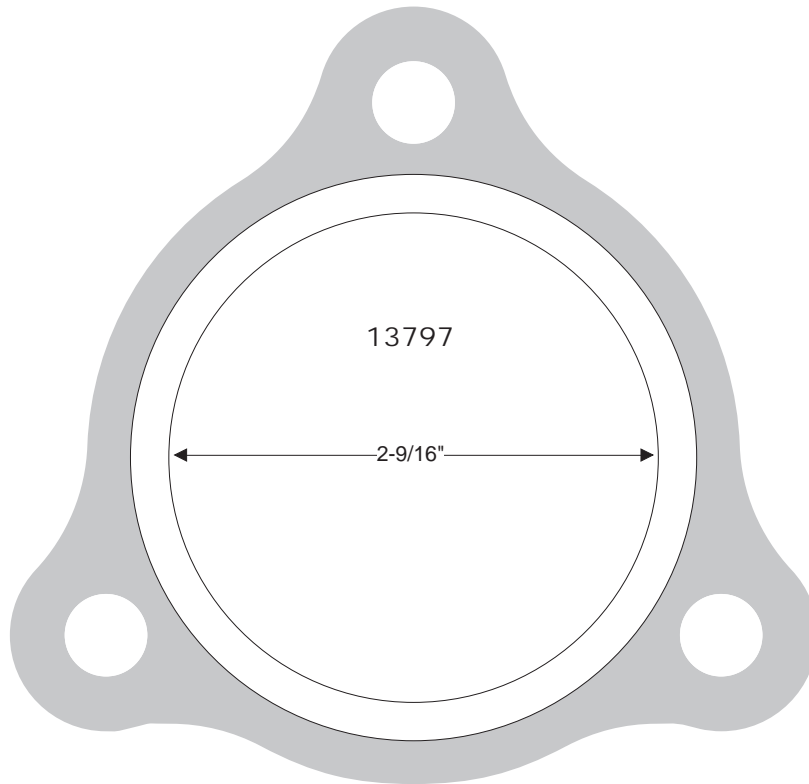
Type 9

Nickson offers a complete line of exhaust gaskets. Refer to the application catalog for a detailed listing.



## Type 10

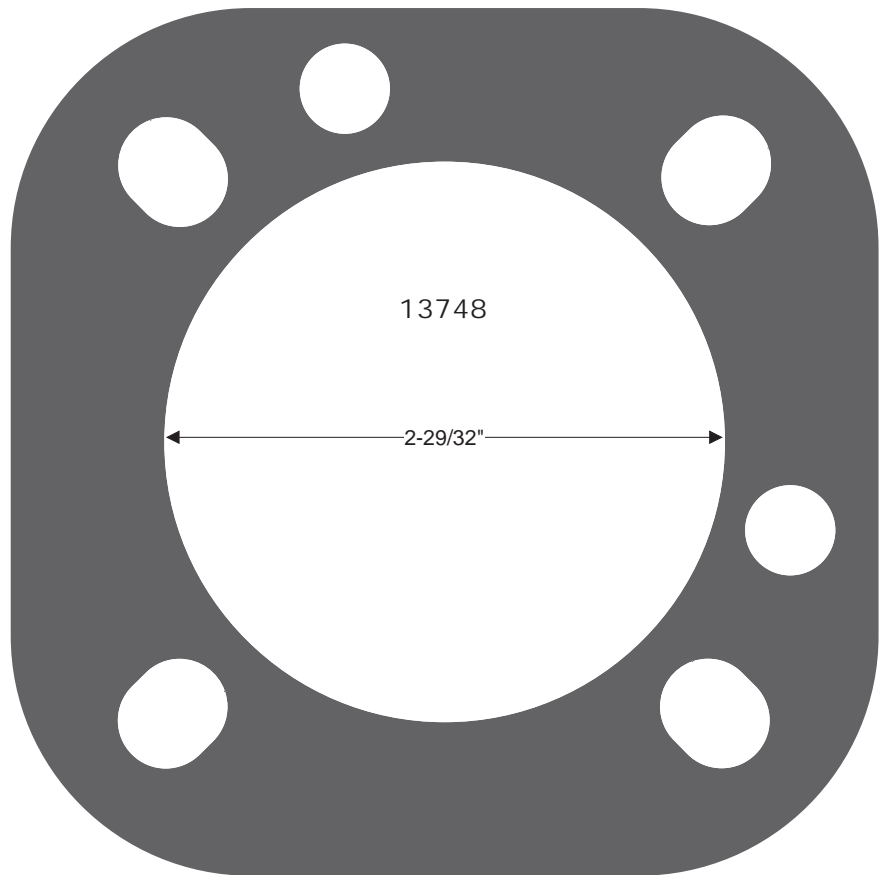
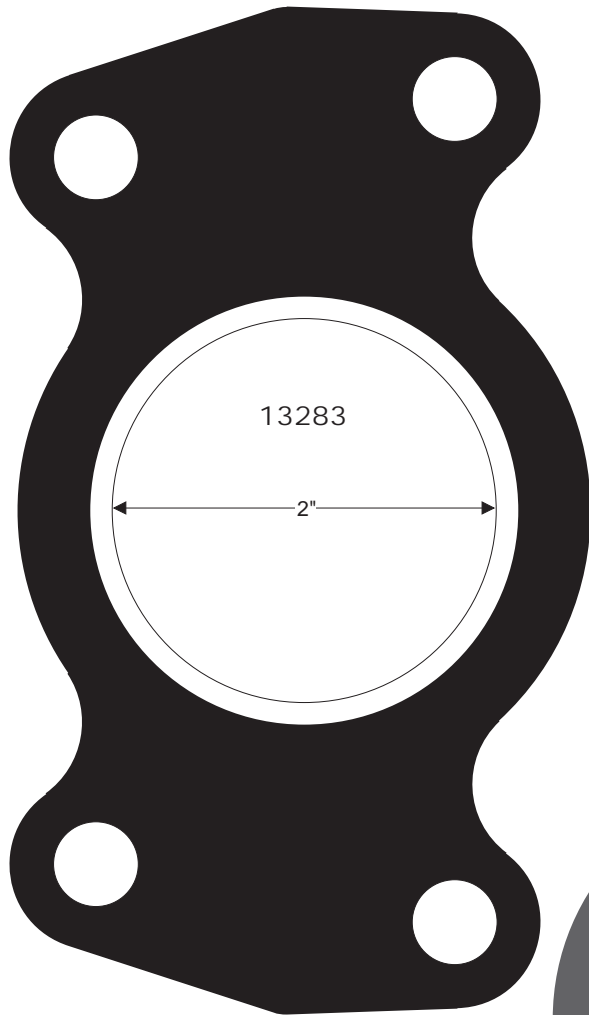
Nickson offers a complete line of exhaust gaskets.  
Refer to the application catalog for a detailed listing.



# Exhaust Gaskets "Top 100 Illustrations"

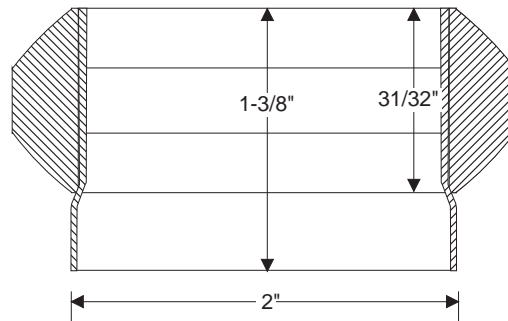
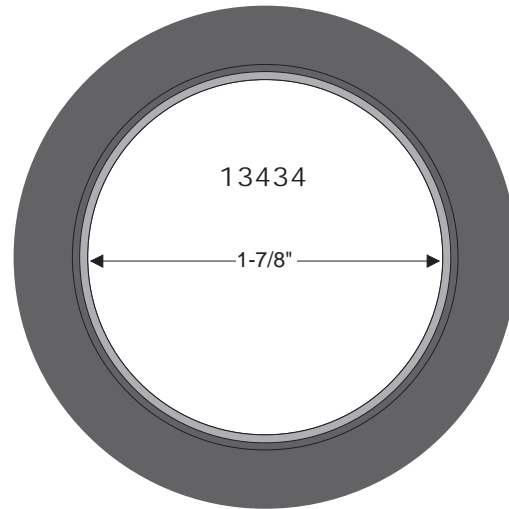
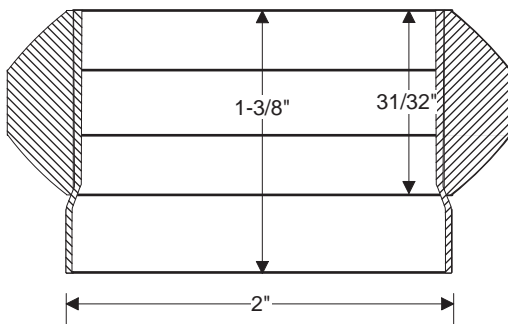
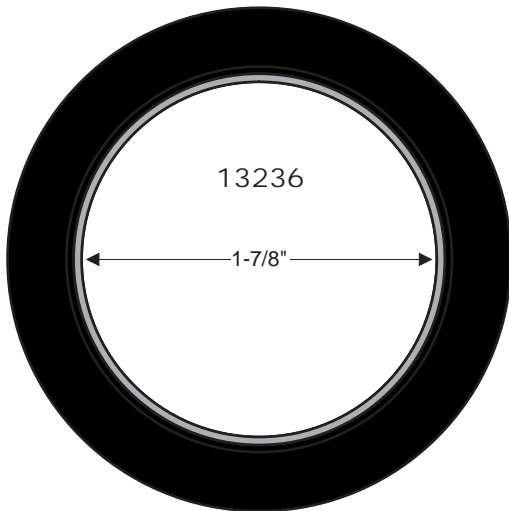
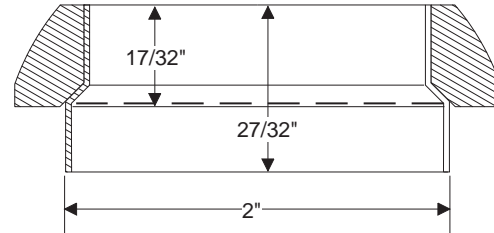
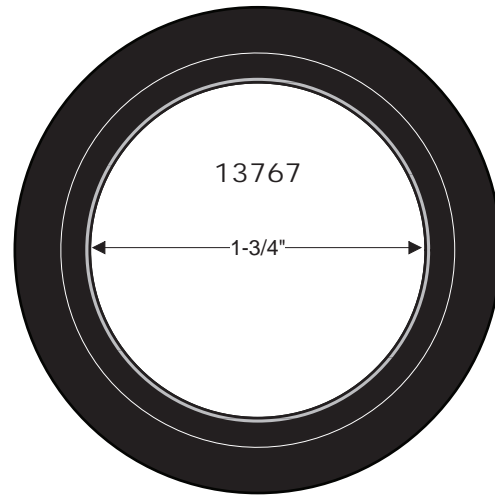
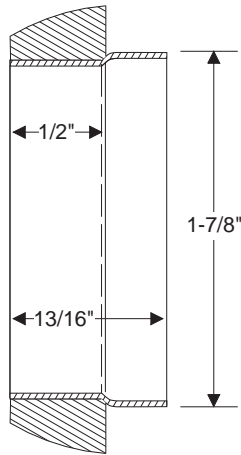
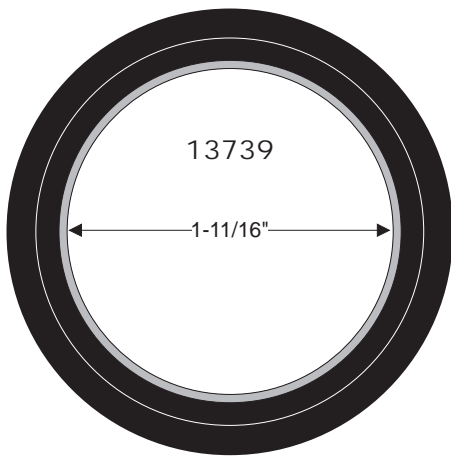
Type 15

Nickson offers a complete line of exhaust gaskets. Refer to the application catalog for a detailed listing.



## Type 16

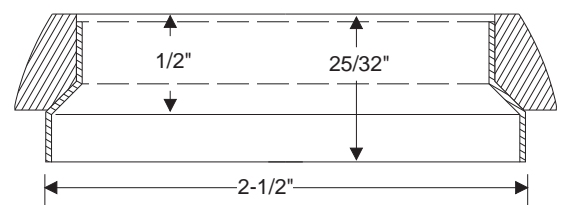
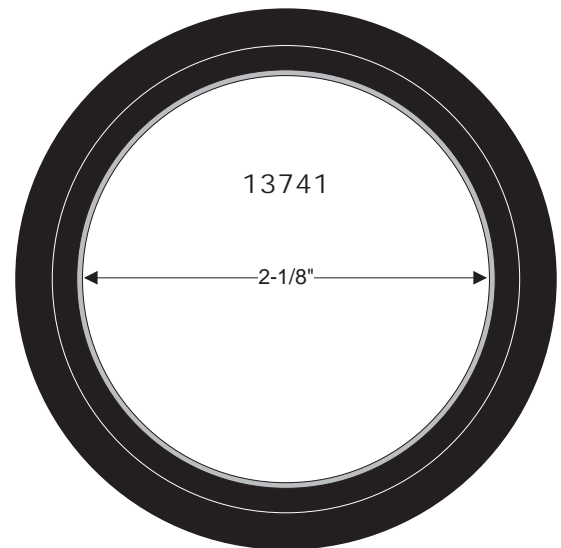
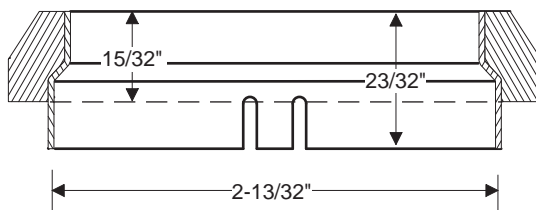
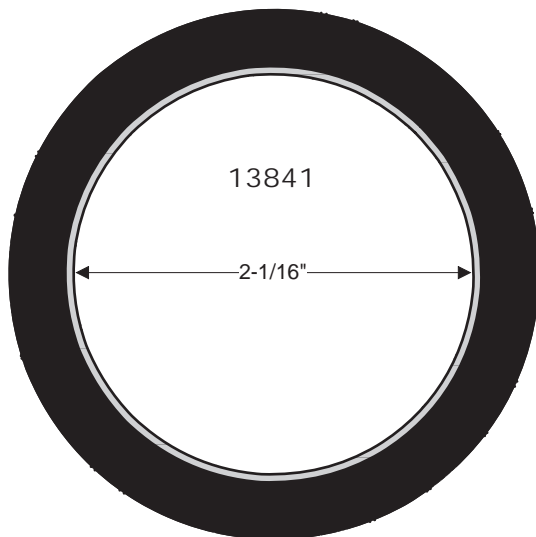
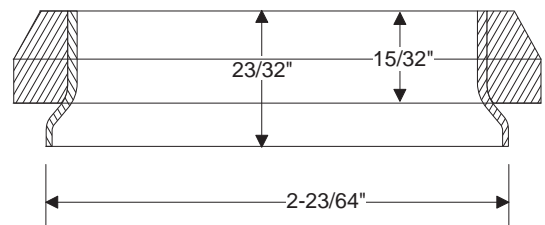
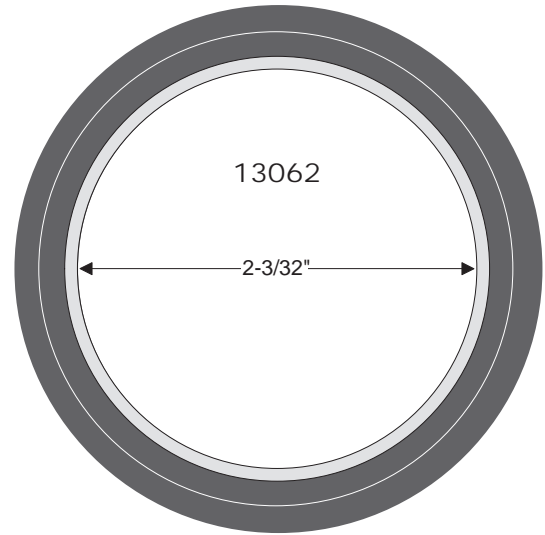
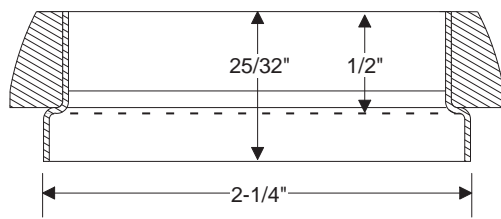
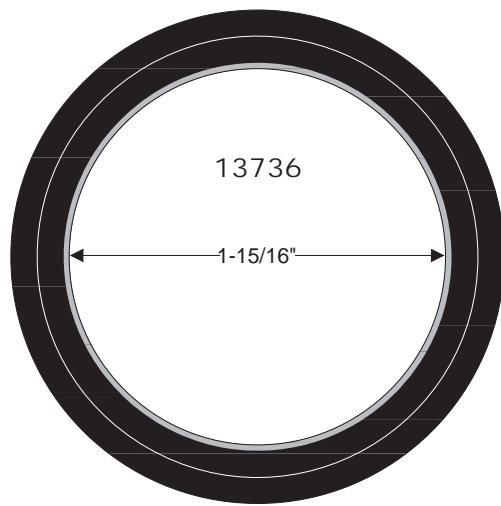
Nickson offers a complete line of exhaust gaskets. Refer to the application catalog for a detailed listing.



# Exhaust Gaskets "Top 100 Illustrations"

## Type 16

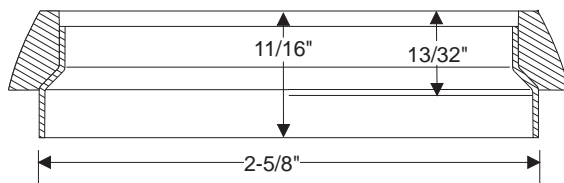
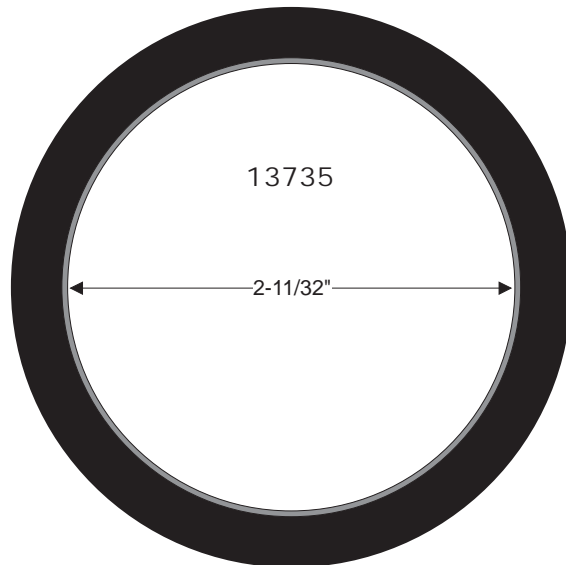
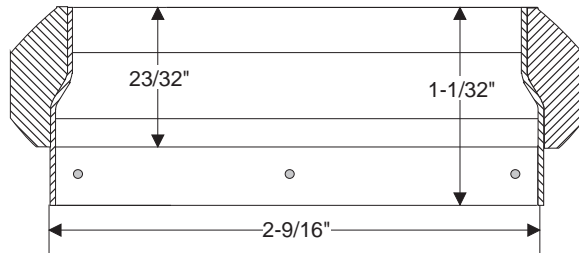
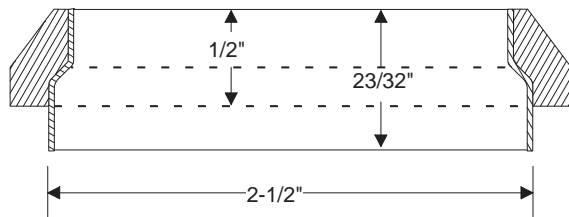
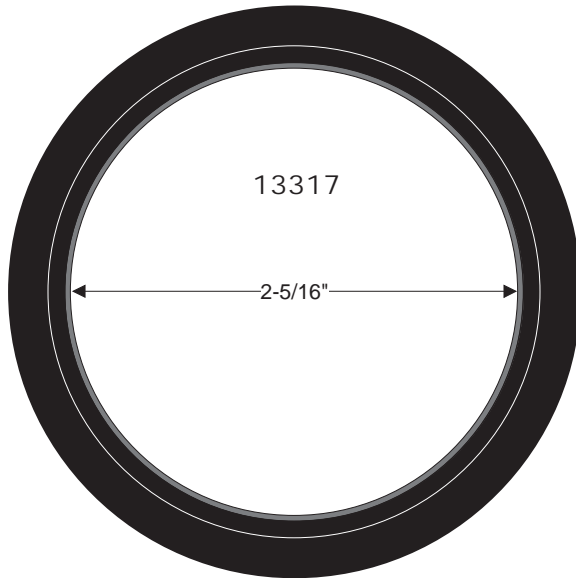
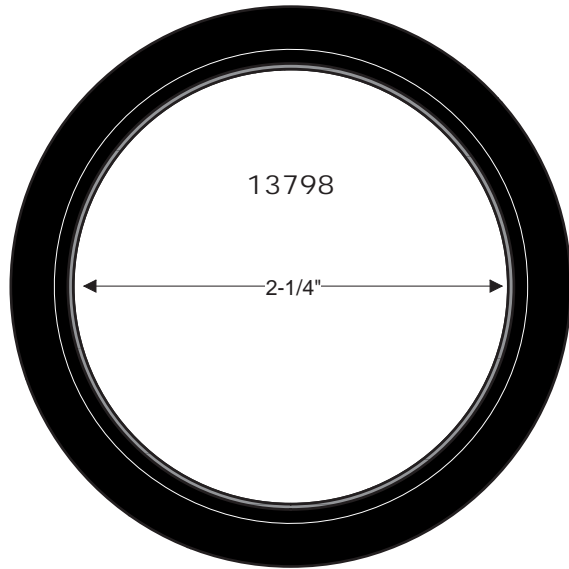
Nickson offers a complete line of exhaust gaskets. Refer to the application catalog for a detailed listing.



**DESIGN MAKES  
THE DIFFERENCE**

## Type 16

Nickson offers a complete line of exhaust gaskets. Refer to the application catalog for a detailed listing.

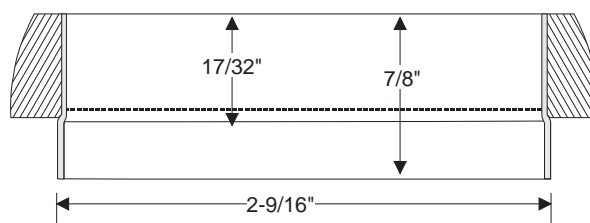
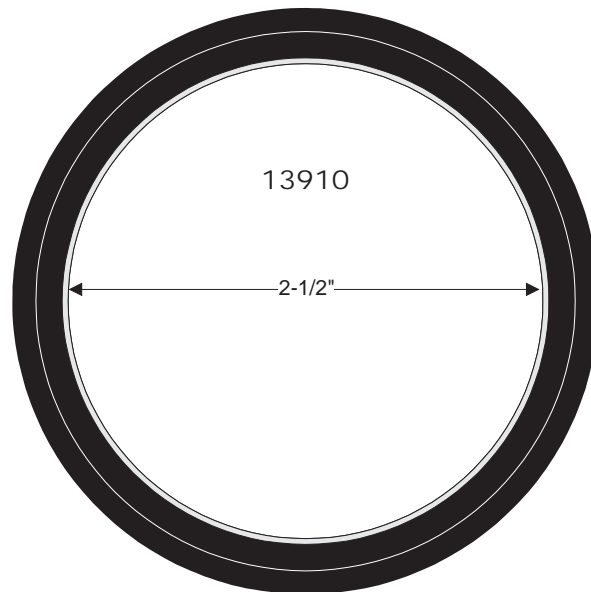
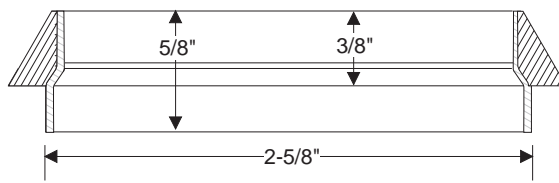
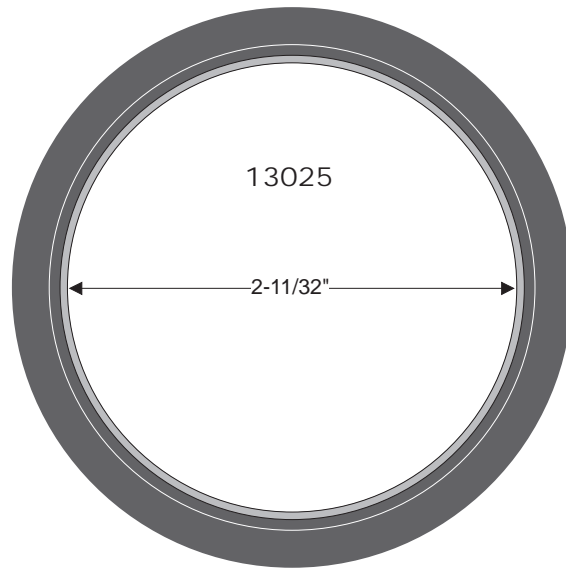




# Exhaust Gaskets "Top 100 Illustrations"

## Type 16

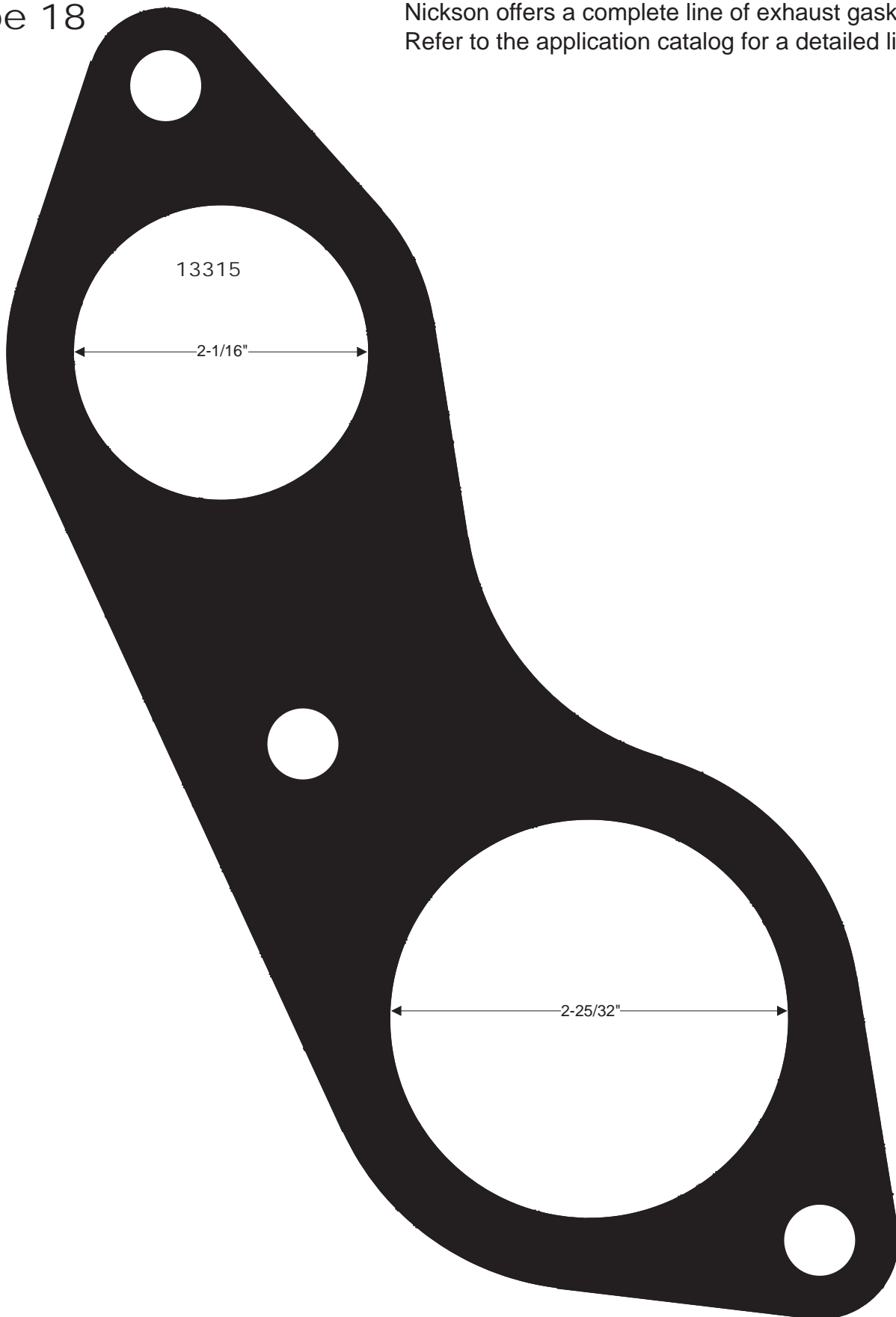
Nickson offers a complete line of exhaust gaskets. Refer to the application catalog for a detailed listing.



**DESIGN MAKES  
THE DIFFERENCE**

## Type 18

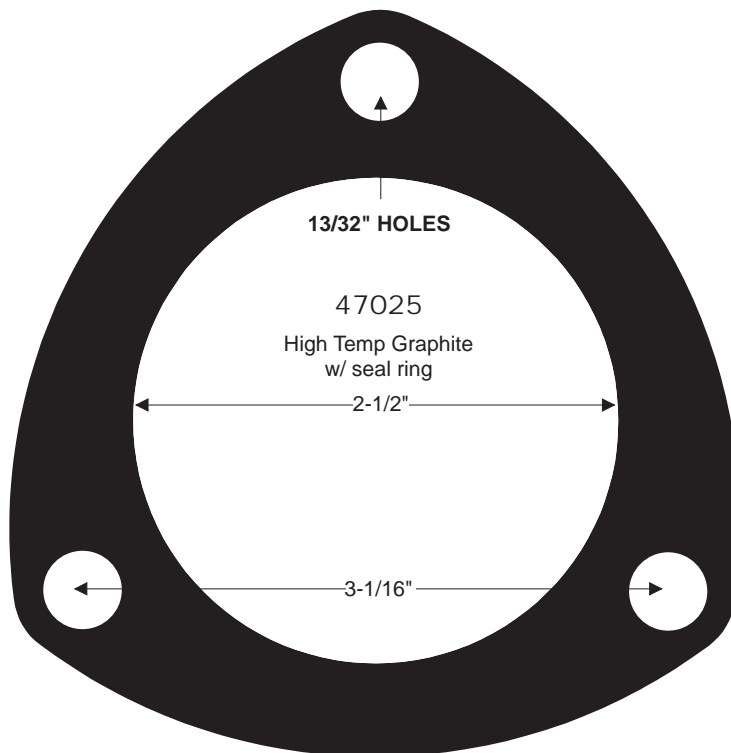
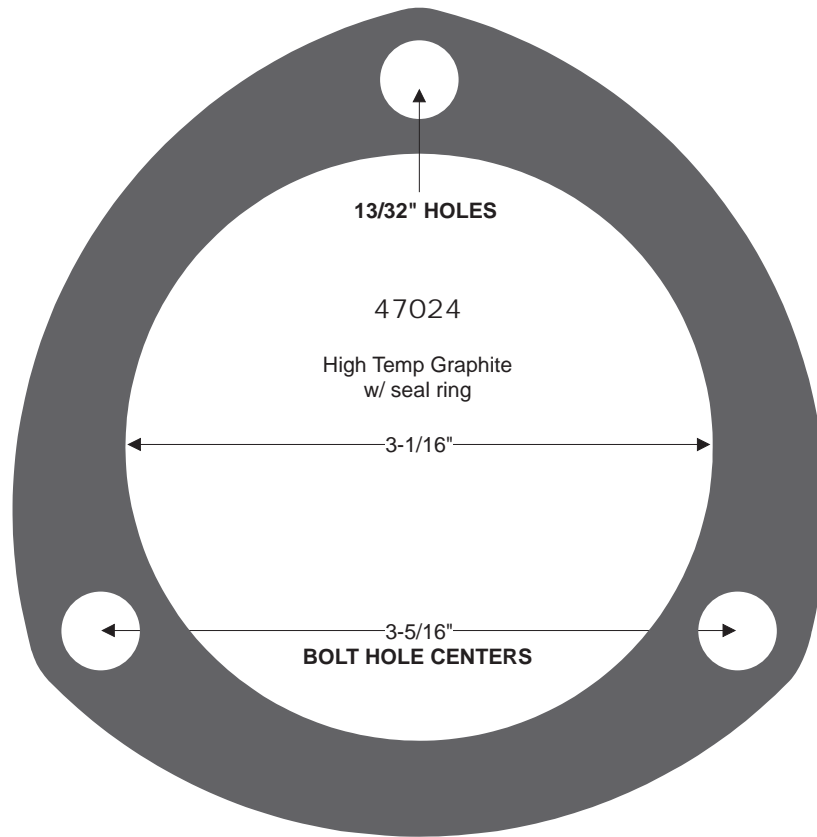
Nickson offers a complete line of exhaust gaskets.  
Refer to the application catalog for a detailed listing.



# Exhaust Gaskets "Top 100 Illustrations"

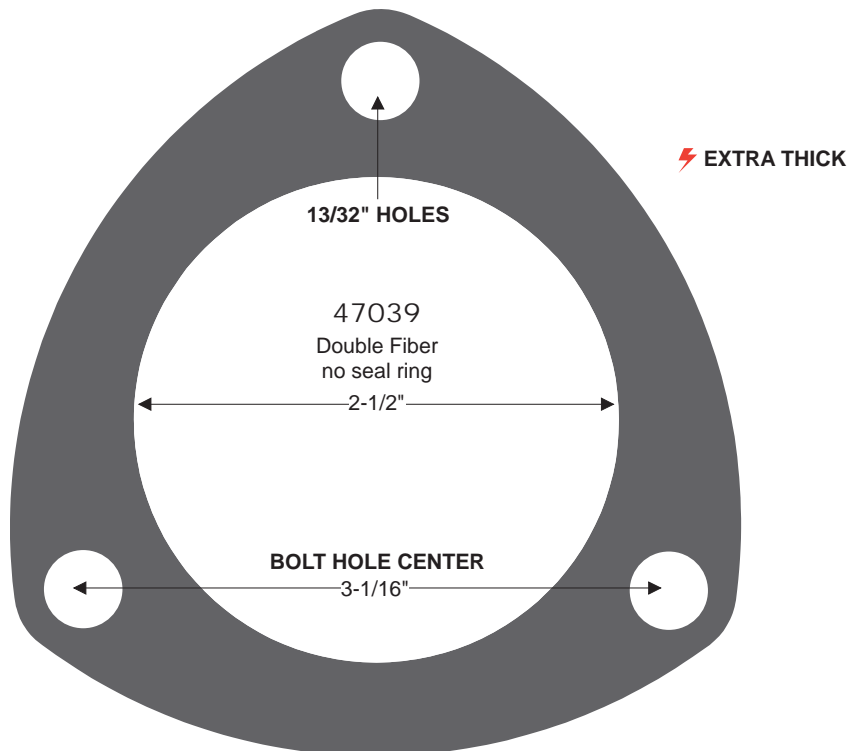
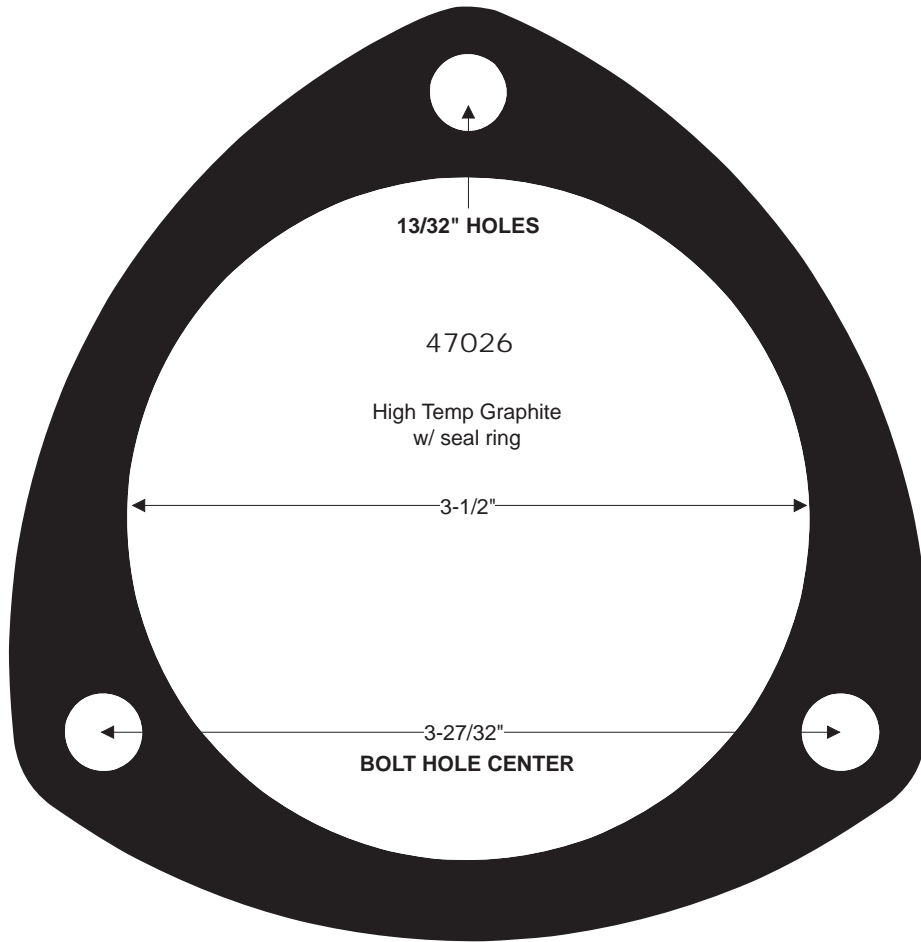
## Collector

Nickson offers a complete line of exhaust gaskets. Refer to the application catalog for a detailed listing.



## Collector

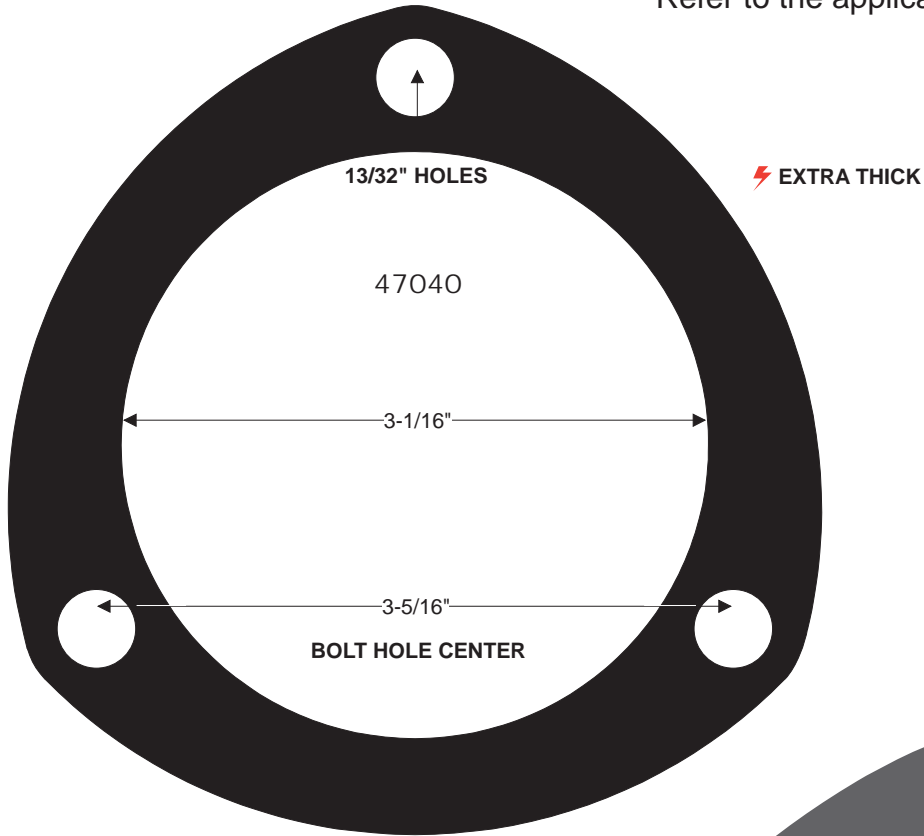
Nickson offers a complete line of exhaust gaskets.  
Refer to the application catalog for a detailed listing.



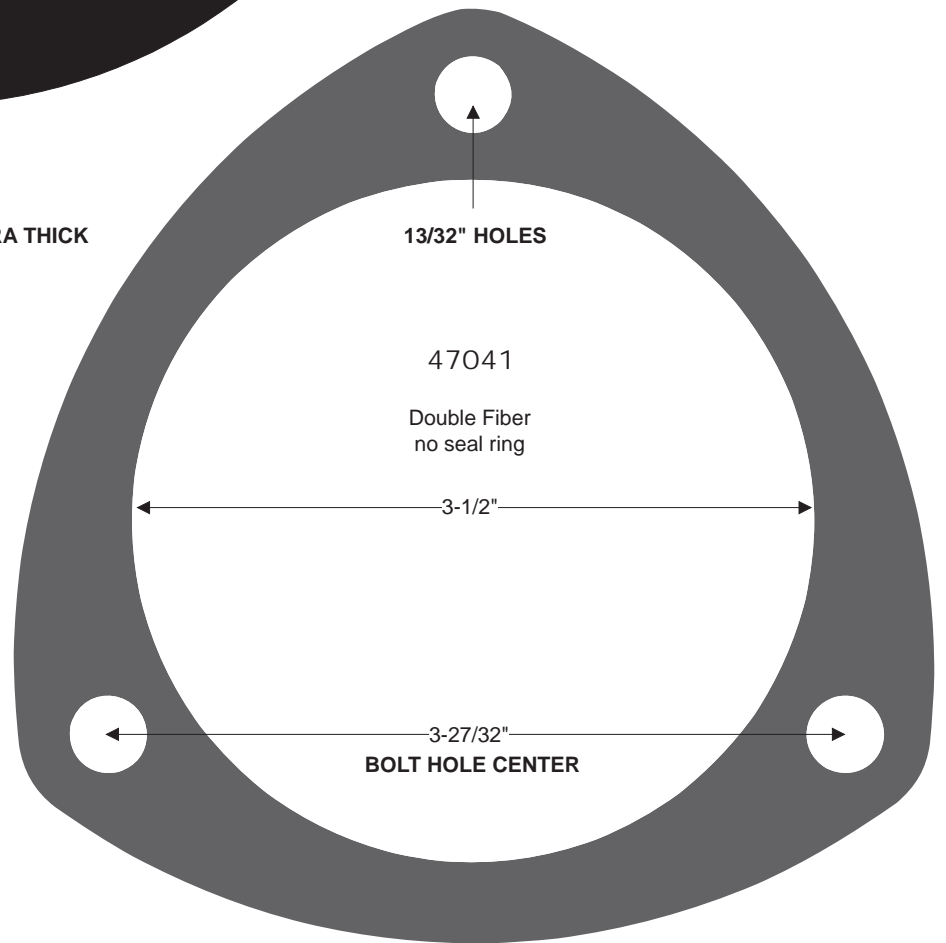
# Exhaust Gaskets "Top 100 Illustrations"

## Collector

Nickson offers a complete line of exhaust gaskets. Refer to the application catalog for a detailed listing.



EXTRA THICK

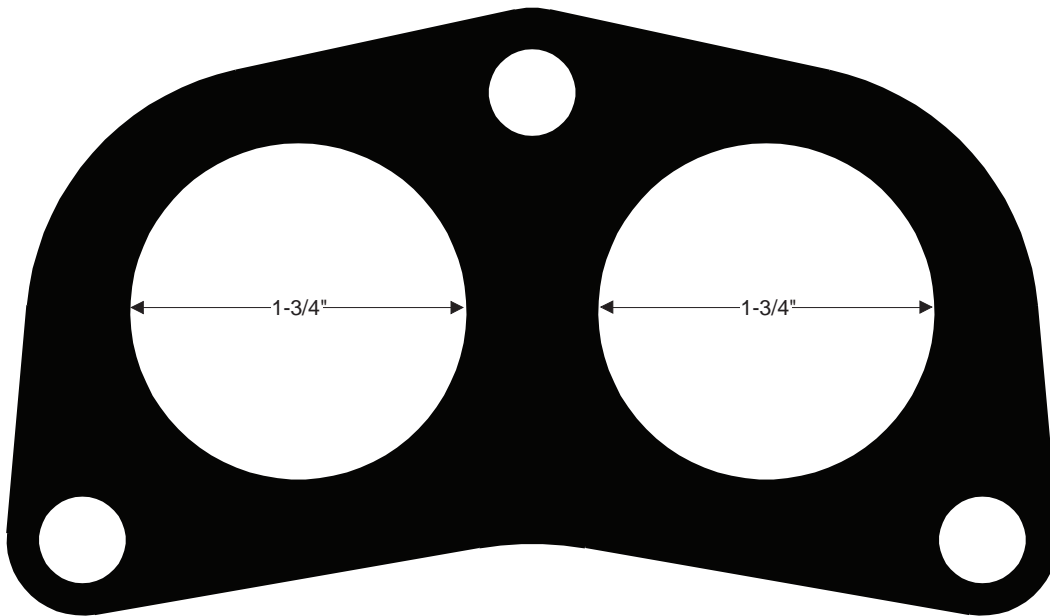


DESIGN MAKES  
THE DIFFERENCE

## Collector

Nickson offers a complete line of exhaust gaskets.  
Refer to the application catalog for a detailed listing.

47029



# Exhaust Gasket Interchange

| ni #  | ROL Number | Marwil Number | AP/Goerlich's Number | Walker Number | Fel-Pro Number | Notes |
|-------|------------|---------------|----------------------|---------------|----------------|-------|
| 13001 | EG24001    | G1B           | N/A                  | N/A           | N/A            |       |
| 13002 | EG24002    | G2B           | N/A                  | N/A           | N/A            |       |
| 13003 | EG24003    | G3B           | N/A                  | N/A           | N/A            |       |
| 13004 | EG24004    | G4B           | N/A                  | N/A           | N/A            |       |
| 13010 | EG24010    | G10B          | 8710                 | N/A           | 9095           |       |
| 13011 | EG24011    | G11B          | 8711                 | 31348         | 9097           |       |
| 13014 | EG24014    | G14B          | N/A                  | 31547         | 60133          |       |
| 13015 | EG24015    | G15B          | 8715                 | 31401         | 8592           |       |
| 13016 | EG24016    | G16B          | N/A                  | 31303         | 8985           |       |
| 13017 | EG24017    | G17B          | 8717                 | 31400         | 8194           |       |
| 13020 | EG24020    | G20B          | 8720                 | N/A           | 60083          |       |
| 13021 | EG24021    | G21B          | N/A                  | 31313         | 60146          |       |
| 13022 | EG24022    | G22B          | 8722                 | N/A           | 9045           |       |
| 13023 | EG24023    | G23B          | 9238                 | 31307         | 60817          |       |
| 13025 | EG24025    | G25B          | 9051                 | 31413         | 60240          |       |
| 13026 | EG24026    | G26B          | 8726                 | 31301         | 60052          |       |
| 13027 | EG24027    | G27B          | N/A                  | 31507         | 60103          |       |
| 13028 | EG24028    | G28B          | 8751                 | 31309         | 9712           |       |
| 13030 | EG24030    | G30B          | 8730                 | 31305         | 60278          |       |
| 13036 | EG24036    | G36B          | N/A                  | 31402         | 9595           |       |
| 13039 | EG24039    | G39B          | N/A                  | 31662         | N/A            |       |
| 13044 | EG24044    | G44B          | 8742                 | 31311         | 60025          |       |
| 13045 | EG24045    | G45B          | 8714                 | N/A           | 9558           |       |
| 13051 | EG24051    | G51B          | 8735S                | N/A           | 8105           |       |
| 13054 | EG24054    | G54B          | 8729                 | N/A           | 9554           |       |
| 13055 | EG24055    | G55B          | N/A                  | 31403         | 9802           |       |
| 13057 | EG24057    | G57B          | 8738                 | 31500         | 9587           |       |
| 13059 | EG24059    | G59B          | 8769                 | 31404         | 60299          |       |
| 13062 | EG24062    | G62B          | 9052                 | 31502         | 60241          |       |
| 13070 | EG24070    | G70B          | 8773                 | 31405         | 9998           |       |
| 13073 | EG24073    | G73B          | N/A                  | N/A           | 60013          |       |
| 13076 | EG24076    | G76B          | 8765                 | 31504         | 60195          |       |
| 13081 | EG24081    | G81B          | 8768                 | 31310         | 9827           |       |
| 13083 | EG24083    | G83B          | N/A                  | 31312         | N/A            |       |
| 13086 | EG24086    | G86B          | 9055                 | 31664         | 60198          |       |
| 13087 | EG24087    | G87B          | 8744                 | 31503         | 60155          |       |
| 13088 | EG24088    | G88B          | N/A                  | 31505         | 60218          |       |
| 13089 | EG24089    | G89B          | 8767                 | 31506         | 60201          |       |
| 13092 | EG24092    | G92B          | N/A                  | N/A           | 60117          |       |
| 13094 | EG24094    | G822B         | N/A                  | 31529         | N/A            |       |
| 13095 | EG24095    | G95B          | 8771                 | 31337         | 60129          |       |
| 13096 | EG24096    | G96B          | 8772                 | N/A           | 60308          |       |
| 13100 | EG24100    | G100B         | 9226                 | N/A           | 60292          |       |
| 13101 | EG24101    | G101B         | 8740                 | 31365         | N/A            |       |

# Exhaust Gasket Interchange

| ni #  | ROL Number | Marwil Number | AP/Goerlich's Number | Walker Number | Fel-Pro Number | Notes |
|-------|------------|---------------|----------------------|---------------|----------------|-------|
| 13103 | EG24103    | G103B         | 8766                 | 31505         | N/A            |       |
| 13104 | EG24104    | G104B         | N/A                  | N/A           | N/A            |       |
| 13105 | EG24105    | G105B         | 8763                 | 31418         | N/A            |       |
| 13106 | EG24106    | G106B         | N/A                  | 31351         | 60588          |       |
| 13107 | EG24107    | G107B         | N/A                  | N/A           | N/A            |       |
| 13108 | EG24108    | G108B         | N/A                  | N/A           | N/A            |       |
| 13109 | EG24109    | G109B         | 9118                 | 31508         | 60986          |       |
| 13110 | EG24110    | G110B         | 9083                 | 31416         | 60985          |       |
| 13111 | EG24111    | G111B         | N/A                  | 31370         | 60987          |       |
| 13112 | EG24112    | G112B         | N/A                  | N/A           | N/A            |       |
| 13113 | EG24113    | G113B         | N/A                  | N/A           | N/A            |       |
| 13114 | EG24114    | G114B         | 9056                 | 31417         | 60203          |       |
| 13120 | EG24120    | G120B         | N/A                  | 31359         | 60462          |       |
| 13121 | EG24121    | G121B         | N/A                  | N/A           | N/A            |       |
| 13127 | N/A        | N/A           | N/A                  | 31718         | 9134           |       |
| 13150 | EG24150    | G150B         | N/A                  | N/A           | N/A            |       |
| 13152 | EG24152    | G152B         | N/A                  | N/A           | N/A            |       |
| 13153 | EG24153    | G153B         | N/A                  | 31567         | N/A            |       |
| 13154 | EG24154    | G154B         | N/A                  | 31383         | 60672          |       |
| 13155 | EG24155    | G155B         | N/A                  | N/A           | N/A            |       |
| 13157 | EG24157    | G157B         | N/A                  | N/A           | N/A            |       |
| 13158 | EG24158    | G158B         | N/A                  | 31568         | 60668          |       |
| 13160 | EG24160    | G160B         | N/A                  | 31632         | 61194          |       |
| 13161 | EG24161    | G161B         | N/A                  | 31598         | N/A            |       |
| 13162 | EG24162    | G162B         | 9018                 | 31589         | N/A            |       |
| 13166 | EG24166    | G166B         | 9086                 | N/A           | N/A            |       |
| 13169 | EG24169    | G169B         | N/A                  | N/A           | N/A            |       |
| 13172 | EG24172    | G172B         | N/A                  | N/A           | N/A            |       |
| 13180 | EG24180    | G180B         | N/A                  | 31671         | 9242           |       |
| 13181 | EG24181    | G181B         | N/A                  | N/A           | N/A            |       |
| 13183 | EG24183    | G183B         | N/A                  | N/A           | 61051          |       |
| 13184 | EG24184    | EG24184       | N/A                  | N/A           | N/A            |       |
| 13185 | EG24185    | G185B         | 9291                 | 31564         | N/A            |       |
| 13186 | EG24186    | G186B         | N/A                  | N/A           | N/A            |       |
| 13187 | EG24187    | G187B         | N/A                  | N/A           | N/A            |       |
| 13190 | EG24190    | G190B         | N/A                  | N/A           | N/A            |       |
| 13192 | EG24192    | G192B         | N/A                  | N/A           | 61009          |       |
| 13193 | EG24193    | G193B         | N/A                  | N/A           | 60982          |       |
| 13194 | EG24194    | G194B         | N/A                  | 31599         | 60988          |       |
| 13195 | EG24195    | G195B         | N/A                  | N/A           | N/A            |       |
| 13196 | EG24196    | G196B         | N/A                  | N/A           | N/A            |       |
| 13198 | EG24198    | G198B         | N/A                  | N/A           | N/A            |       |
| 13200 | EG24200    | G200B         | N/A                  | N/A           | 60940          |       |
| 13201 | EG24201    | G201B         | N/A                  | N/A           | N/A            |       |



# Exhaust Gasket Interchange

| ni #  | ROL Number | Marwil Number | AP/Goerlich's Number | Walker Number | Fel-Pro Number | Notes |
|-------|------------|---------------|----------------------|---------------|----------------|-------|
| 13204 | EG24204    | G204B         | N/A                  | N/A           | 61236          |       |
| 13206 | EG24206    | G206B         | N/A                  | 31569         | N/A            |       |
| 13207 | EG24207    | G207B         | N/A                  | 31622         | N/A            |       |
| 13212 | EG24212    | G212B         | N/A                  | N/A           | N/A            |       |
| 13214 | EG24214    | G214B         | 9017                 | N/A           | N/A            |       |
| 13216 | EG24216    | G216B         | 9275                 | N/A           | N/A            |       |
| 13217 | EG24217    | G217B         | 9280                 | N/A           | N/A            |       |
| 13219 | EG24219    | G219B         | N/A                  | N/A           | N/A            |       |
| 13220 | EG24220    | G220B         | N/A                  | N/A           | N/A            |       |
| 13222 | EG24222    | N/A           | N/A                  | N/A           | N/A            |       |
| 13229 | EG24229    | G229B         | 9283                 | N/A           | N/A            |       |
| 13231 | EG24231    | G231B         | 9214                 | N/A           | 61140          |       |
| 13236 | EG24236    | G236B         | 9212                 | 31588         | 61014          |       |
| 13239 | EG24239    | G239B         | 8702                 | 31633         | 61315          |       |
| 13241 | EG24241    | G241B         | N/A                  | N/A           | 60928          |       |
| 13242 | EG24242    | G242B         | N/A                  | N/A           | N/A            |       |
| 13243 | EG24243    | G243B         | N/A                  | N/A           | 61410          |       |
| 13245 | EG24245    | G245B         | 8712                 | 31595         | 61044          |       |
| 13247 | EG24247    | G247B         | 9039                 | 31611         | N/A            |       |
| 13249 | EG24249    | G249B         | N/A                  | N/A           | N/A            |       |
| 13250 | EG24250    | G250B         | 8759                 | 31587         | 61311          |       |
| 13251 | EG24251    | G251B         | 9287                 | 31571         | N/A            |       |
| 13251 | EG24251    | G251B         | 9287                 | 31571         | N/A            |       |
| 13252 | EG24252    | G252B         | N/A                  | N/A           | 60831          |       |
| 13253 | G1012      | G1012         | 4731                 | 31618         | N/A            |       |
| 13253 | EG24253    | N/A           | 4731                 | 31618         | N/A            |       |
| 13254 | EG24254    | G254B         | 9286                 | 31573         | N/A            |       |
| 13255 | EG24255    | G255B         | 9282                 | 31585         | 61039          |       |
| 13256 | EG24256    | G256B         | N/A                  | N/A           | N/A            |       |
| 13257 | EG24257    | G257B         | N/A                  | N/A           | N/A            |       |
| 13258 | EG24258    | G258B         | N/A                  | N/A           | N/A            |       |
| 13266 | EG24266    | N/A           | N/A                  | 31578         | N/A            |       |
| 13270 | EG24270    | N/A           | 9277                 | N/A           | N/A            |       |
| 13271 | EG24271    | G271B         | 8713                 | 31617         | 61004          |       |
| 13272 | EG24272    | G272B         | 9274                 | N/A           | N/A            |       |
| 13277 | EG24277    | G277B         | 9288                 | N/A           | N/A            |       |
| 13279 | EG24279    | G279B         | N/A                  | N/A           | N/A            |       |
| 13280 | EG24280    | G280B         | 9289                 | 31597         | 61002          |       |
| 13281 | EG24281    | G281B         | 8721                 | 31635         | N/A            |       |
| 13283 | EG24283    | G283B         | 9054                 | 31606         | 60666          |       |
| 13284 | EG24284    | G284B         | N/A                  | N/A           | N/A            |       |
| 13285 | EG24285    | G285B         | N/A                  | N/A           | 61016          |       |
| 13286 | EG24286    | G286B         | N/A                  | 31697         | 61099          |       |
| 13289 | EG24289    | G289B         | N/A                  | N/A           | 61188          |       |

# Exhaust Gasket Interchange

| ni #  | ROL Number | Marwil Number | AP/Goerlich's Number | Walker Number | Fel-Pro Number | Notes |
|-------|------------|---------------|----------------------|---------------|----------------|-------|
| 13290 | EG24290    | G290B         | 8723                 | N/A           | N/A            |       |
| 13293 | EG24293    | G293B         | 9013                 | 31608         | 61072          |       |
| 13294 | EG24294    | G294B         | 8415                 | N/A           | 61357          |       |
| 13295 | EG24295    | G295B         | 9279                 | 31534         | 61378          |       |
| 13297 | EG24297    | G297B         | N/A                  | 31596         | 61045          |       |
| 13299 | EG24299    | G299B         | 8414                 | 31625         | 61241          |       |
| 13303 | EG24303    | G303B         | 9278                 | N/A           | 61296          |       |
| 13304 | EG24304    | G304B         | 8725                 | N/A           | N/A            |       |
| 13305 | EG24305    | G305B         | N/A                  | N/A           | N/A            |       |
| 13308 | EG24308    | G308B         | 8728                 | 31620         | N/A            |       |
| 13315 | EG24315    | G315B         | 9285                 | 31575         | N/A            |       |
| 13316 | EG24316    | G316B         | 9284                 | 31574         | 61287          |       |
| 13317 | EG24317    | G317B         | N/A                  | 31668         | 61012          |       |
| 13320 | EG24320    | G320B         | N/A                  | 31336         | N/A            |       |
| 13323 | EG24323    | G323B         | N/A                  | N/A           | N/A            |       |
| 13325 | EG24325    | G325B         | 9119                 | 31591         | N/A            |       |
| 13327 | EG24327    | G327B         | N/A                  | N/A           | N/A            |       |
| 13328 | EG24328    | G328B         | N/A                  | N/A           | 60729          |       |
| 13329 | EG24329    | G329B         | N/A                  | 31610         | 61074          |       |
| 13330 | EG24330    | G330B         | N/A                  | N/A           | 61089          |       |
| 13332 | EG24332    | G332B         | 8762                 | 31602         | 61054          |       |
| 13333 | EG24333    | G333B         | N/A                  | 31609         | N/A            |       |
| 13334 | EG24334    | G334B         | 9088                 | 31605         | 61310          |       |
| 13335 | EG24335    | G335B         | N/A                  | 31607         | 61077          |       |
| 13336 | EG24336    | G336B         | 8412                 | N/A           | 61062          |       |
| 13337 | EG24337    | G337B         | 9215                 | N/A           | 61124          |       |
| 13338 | EG24338    | G338B         | 9207                 | 31629         | N/A            |       |
| 13342 | EG24342    | G342B         | 8682                 | 31601         | N/A            |       |
| 13343 | EG24343    | G343B         | N/A                  | N/A           | 61192          |       |
| 13344 | EG24344    | G344B         | N/A                  | N/A           | 61314          |       |
| 13345 | EG24345    | G345B         | N/A                  | 31684         | 61307          |       |
| 13346 | EG24346    | G346B         | N/A                  | 31623         | 61203          |       |
| 13347 | EG24347    | G347B         | N/A                  | 31653         | 61283          |       |
| 13348 | EG24348    | G348B         | N/A                  | N/A           | 60720          |       |
| 13353 | EG24353    | G353B         | N/A                  | N/A           | N/A            |       |
| 13357 | EG24357    | G357B         | N/A                  | N/A           | 61229          |       |
| 13358 | EG24358    | G358B         | N/A                  | 31657         | 61255          |       |
| 13359 | EG24359    | G359B         | 9019                 | N/A           | N/A            |       |
| 13364 | EG24364    | G364B         | 9271                 | 31637         | N/A            |       |
| 13365 | EG24365    | G365B         | N/A                  | N/A           | 61187          |       |
| 13366 | EG24366    | G366B         | N/A                  | N/A           | 61308          |       |
| 13367 | EG24367    | G367B         | 8403                 | 31643         | 61362          |       |
| 13371 | EG24371    | G371B         | N/A                  | 31712         | 61129          |       |
| 13377 | EG24377    | G377B         | N/A                  | N/A           | 61394          |       |

# Exhaust Gasket Interchange

| ni #  | ROL Number | Marwil Number | AP/Goerlich's Number | Walker Number | Fel-Pro Number | Notes |
|-------|------------|---------------|----------------------|---------------|----------------|-------|
| 13392 | EG24392    | G392B         | N/A                  | 31695         | 61059          |       |
| 13395 | EG24395    | G395B         | 9040                 | N/A           | 61171          |       |
| 13398 | EG24398    | G398B         | N/A                  | N/A           | 61240          |       |
| 13399 | EG24399    | G399B         | 8406                 | N/A           | N/A            |       |
| 13403 | EG24403    | G403B         | N/A                  | N/A           | N/A            |       |
| 13406 | EG24406    | G406B         | N/A                  | N/A           | N/A            |       |
| 13409 | EG24409    | G409B         | N/A                  | N/A           | N/A            |       |
| 13412 | EG24412    | G412B         | N/A                  | N/A           | 61270          |       |
| 13415 | EG24415    | G415B         | N/A                  | N/A           | 61323          |       |
| 13417 | EG24417    | G417B         | 9254                 | 31642         | N/A            |       |
| 13422 | EG24422    | G422B         | N/A                  | 31698         | 61197          |       |
| 13423 | EG24423    | G423B         | N/A                  | 31670         | 61206          |       |
| 13424 | EG24424    | G424B         | N/A                  | 31659         | 61213          |       |
| 13429 | EG24429    | G429B         | N/A                  | N/A           | 61251          |       |
| 13430 | EG24430    | G430B         | N/A                  | N/A           | 61250          |       |
| 13431 | EG24431    | G431B         | N/A                  | N/A           | N/A            |       |
| 13433 | EG24433    | G433B         | N/A                  | N/A           | 61303          |       |
| 13434 | EG24434    | G434B         | N/A                  | N/A           | N/A            |       |
| 13446 | EG24446    | G446B         | 9000                 | N/A           | 61400          |       |
| 13450 | EG24450    | G450B         | 8409                 | 31706         | N/A            |       |
| 13452 | EG24452    | G452B         | 9096                 | 31704         | 61399          |       |
| 13458 | EG24458    | G458B         | N/A                  | 31658         | 61367          |       |
| 13459 | EG24459    | G459B         | N/A                  | 31694         | 61368          |       |
| 13465 | EG24465    | G465B         | N/A                  | N/A           | 61395          |       |
| 13467 | EG24467    | G467B         | N/A                  | 31800         | N/A            |       |
| 13468 | EG24468    | G468B         | N/A                  | 31699         | 61369          |       |
| 13469 | EG24469    | G469B         | N/A                  | N/A           | 61348          |       |
| 13471 | EG24471    | G471B         | N/A                  | N/A           | 61387          |       |
| 13475 | EG24475    | G475B         | N/A                  | N/A           | N/A            |       |
| 13480 | EG24480    | G480B         | N/A                  | N/A           | N/A            |       |
| 13488 | EG24488    | G488B         | N/A                  | N/A           | 61406          |       |
| 13506 | EG24506    | G506B         | N/A                  | N/A           | 9672           |       |
| 13509 | EG24509    | G509B         | 9027                 | 31374         | 23626          |       |
| 13509 | EG24509    | G509B         | 9027                 | 31374         | 23626          |       |
| 13514 | EG24514    | N/A           | N/A                  | 31674         | 23620          |       |
| 13519 | EG24519    | G519B         | N/A                  | N/A           | 23590          |       |
| 13529 | EG24529    | G529B         | N/A                  | N/A           | 23557          |       |
| 13533 | EG24533    | G533B         | N/A                  | N/A           | N/A            |       |
| 13535 | EG24535    | G535B         | 8758                 | 31411         | 60230          |       |
| 13536 | EG24536    | G536B         | 8750                 | 31314         | 23563          |       |
| 13548 | EG24548    | G548B         | N/A                  | N/A           | N/A            |       |
| 13556 | EG24556    | G556B         | N/A                  | N/A           | N/A            |       |
| 13557 | EG24557    | G557B         | 9028                 | 31513         | 23547          |       |
| 13560 | EG24560    | G560B         | N/A                  | N/A           | N/A            |       |

# Exhaust Gasket Interchange

| ni #  | ROL Number | Marwil Number | AP/Goerlich's Number | Walker Number | Fel-Pro Number | Notes |
|-------|------------|---------------|----------------------|---------------|----------------|-------|
| 13572 | EG24572    | G572B         | 8752                 | 31318         | 23565          |       |
| 13573 | EG24573    | G573B         | N/A                  | 31409         | 25560          |       |
| 13574 | EG24574    | G574B         | 8749                 | 31320         | 23561          |       |
| 13576 | EG24576    | G576B         | 8754                 | 31319         | 23577          |       |
| 13578 | EG24578    | G578B         | 8770                 | 31321         | 23588          |       |
| 13579 | EG24579    | G579B         | 9032                 | 31515         | 60285          |       |
| 13583 | EG24583    | G583B         | 9034                 | 31339         | 23596          |       |
| 13584 | EG24584    | G584B         | 9024                 | 31332         | 23591          |       |
| 13585 | EG24585    | G585B         | 9066                 | 31334         | 23610          |       |
| 13589 | EG24589    | G589B         | 9045                 | 31326         | 60567          |       |
| 13593 | EG24593    | G593B         | 9030                 | 31327         | 23599          |       |
| 13594 | EG24594    | G594B         | 9044                 | 31355         | 23624          |       |
| 13597 | EG24597    | G597B         | 8741                 | N/A           | 23609          |       |
| 13598 | EG24598    | G598B         | 9037                 | 31349         | 23578          |       |
| 13599 | EG24599    | G599B         | N/A                  | 31342         | N/A            |       |
| 13600 | EG24600    | G600B         | 9031                 | 31390         | N/A            |       |
| 13601 | EG24601    | G601B         | 9041                 | 31340         | 23589          |       |
| 13602 | EG24602    | G602B         | 8739                 | N/A           | N/A            |       |
| 13603 | EG24603    | G603B         | N/A                  | N/A           | N/A            |       |
| 13609 | EG24609    | G609B         | N/A                  | N/A           | N/A            |       |
| 13612 | EG24612    | G612B         | N/A                  | N/A           | 60495          |       |
| 13613 | EG24613    | G613B         | 9026                 | 31350         | 60915          |       |
| 13615 | EG24615    | G615B         | 8731                 | N/A           | N/A            |       |
| 13616 | EG24616    | G616B         | 9025                 | 31414         | 9269           |       |
| 13620 | EG24620    | G620B         | N/A                  | N/A           | 61049          |       |
| 13624 | EG24624    | G624B         | 9021                 | N/A           | N/A            |       |
| 13626 | EG24626    | G626B         | 9047                 | 31333         | 60286          |       |
| 13627 | EG24627    | G627B         | N/A                  | N/A           | N/A            |       |
| 13630 | EG24630    | G630B         | 9046                 | 31352         | 23598          |       |
| 13633 | EG24633    | G633B         | N/A                  | 31541         | 60570          |       |
| 13635 | EG24635    | G635B         | 9081                 | 31367         | N/A            |       |
| 13636 | EG24636    | G636B         | N/A                  | 31335         | N/A            |       |
| 13639 | EG24639    | G639B         | N/A                  | 31680         | 60521          |       |
| 13644 | EG24644    | G644B         | N/A                  | N/A           | 60385          |       |
| 13646 | EG24646    | G646B         | 9036                 | 31415         | 23607          |       |
| 13647 | EG24647    | G647B         | N/A                  | 31396         | 60569          |       |
| 13648 | EG24648    | G648B         | 9252                 | 31397         | 60835          |       |
| 13649 | EG24649    | G649B         | 9059                 | 31518/31616   | 60473          |       |
| 13654 | EG24654    | G654B         | N/A                  | 31516         | 60565          |       |
| 13656 | EG24656    | G656B         | 9078                 | 31665         | 60522          |       |
| 13658 | EG24658    | G658B         | 9075                 | N/A           | 60404          |       |
| 13659 | EG24659    | G659B         | 9080                 | 31354         | 60517          |       |
| 13661 | EG24661    | G661B         | 9058                 | 31519         | 60856          |       |
| 13668 | EG24668    | G668B         | 9237                 | 31565         | 60494          |       |

# Exhaust Gasket Interchange

| ni #  | ROL Number | Marwil Number | AP/Goerlich's Number | Walker Number | Fel-Pro Number | Notes |
|-------|------------|---------------|----------------------|---------------|----------------|-------|
| 13674 | EG24674    | G674B         | 9092                 | N/A           | 60360          |       |
| 13675 | EG24675    | G675B         | 9221                 | 31391         | 60836          |       |
| 13684 | EG24684    | G684B         | 8697                 | 31388         | 60620          |       |
| 13685 | EG24685    | G685B         | N/A                  | N/A           | 60496          |       |
| 13686 | EG24686    | N/A           | N/A                  | 31525         | 60480          |       |
| 13687 | EG24687    | G687B         | 8686                 | N/A           | 60479          |       |
| 13691 | EG24691    | G691B         | N/A                  | N/A           | 60575          |       |
| 13693 | EG24693    | G693B         | 8696                 | 31517         | 60531          |       |
| 13694 | EG24694    | G694B         | 9072                 | N/A           | 60933          |       |
| 13695 | EG24695    | G695B         | N/A                  | 31666         | 60534          |       |
| 13696 | EG24696    | G696B         | 8695                 | N/A           | 60571          |       |
| 13697 | EG24697    | G697B         | N/A                  | N/A           | 60626          |       |
| 13699 | EG24699    | G699B         | N/A                  | 31514         | N/A            |       |
| 13700 | EG24700    | G700B         | 8690                 | N/A           | 60662          |       |
| 13702 | EG24702    | G702B         | 8737                 | N/A           | 60389          |       |
| 13705 | EG24705    | G705B         | N/A                  | N/A           | N/A            |       |
| 13706 | EG24706    | G706B         | N/A                  | N/A           | N/A            |       |
| 13707 | EG24707    | G707B         | N/A                  | N/A           | 61505          |       |
| 13709 | EG24709    | G709B         | N/A                  | N/A           | N/A            |       |
| 13713 | EG24713    | G713B         | 9038                 | 31330         | N/A            |       |
| 13718 | EG24718    | G718B         | N/A                  | N/A           | N/A            |       |
| 13723 | EG24723    | G723B         | 8724                 | N/A           | 9547           |       |
| 13727 | EG24727    | N/A           | N/A                  | N/A           | 60518          |       |
| 13729 | EG24729    | G729B         | 9262                 | 31368         | N/A            |       |
| 13731 | EG24731    | G731B         | 9099                 | 31540         | 60458          |       |
| 13732 | EG24732    | G732B         | N/A                  | 31384         | N/A            |       |
| 13733 | EG24733    | G733B         | 9079                 | 31512         | 60548          |       |
| 13734 | EG24734    | G734B         | N/A                  | 31524         | 60524          |       |
| 13735 | EG24735    | G735B         | N/A                  | 31511         | 60755          |       |
| 13736 | EG24736    | G736B         | 9093                 | 31523         | 60538          |       |
| 13737 | EG24737    | G737B         | 8706                 | 31358         | 60477          |       |
| 13738 | EG24738    | G738B         | 9087                 | 31357         | 60650          |       |
| 13739 | EG24739    | G739B         | 9091                 | 31381         | 60525          |       |
| 13740 | EG24740    | G740B         | N/A                  | N/A           | 60394          |       |
| 13741 | EG24741    | G741B         | 9272                 | 31382         | 60975          |       |
| 13742 | EG24742    | G742B         | 9231                 | 31362         | 60632          |       |
| 13742 | EG24742    | G742B         | 9231                 | 31362/31361   | 60632          |       |
| 13743 | EG24743    | N/A           | 9090                 | 31378         | 60583          |       |
| 13746 | EG24746    | G746B         | N/A                  | 31356         | N/A            |       |
| 13748 | EG24748    | G748B         | 9069                 | 31347         | N/A            |       |
| 13749 | EG24749    | G749B         | 9082                 | 31364         | 60576          |       |
| 13750 | EG24750    | G750B         | 9057                 | 31584         | N/A            |       |
| 13751 | EG24751    | G751B         | 8691                 | 31369         | 60717          |       |
| 13753 | EG24753    | G753B         | 9225                 | 31379         | 60658          |       |

# Exhaust Gasket Interchange

| ni #  | ROL Number | Marwil Number | AP/Goerlich's Number | Walker Number | Fel-Pro Number | Notes |
|-------|------------|---------------|----------------------|---------------|----------------|-------|
| 13754 | EG24754    | G754B         | N/A                  | N/A           | N/A            |       |
| 13756 | EG24756    | G756B         | 9010                 | 31582         | N/A            |       |
| 13757 | EG24757    | G757B         | 9273                 | N/A           | 60612          |       |
| 13758 | EG24758    | G758B         | 8693                 | 31377         | 60578          |       |
| 13759 | EG24759    | G759B         | 9094                 | 31522         | 60592          |       |
| 13760 | EG24760    | G760B         | N/A                  | N/A           | N/A            |       |
| 13763 | EG24763    | G763B         | N/A                  | 31366         | N/A            |       |
| 13764 | EG24764    | G764B         | N/A                  | 31683         | 60644          |       |
| 13765 | EG24765    | G765B         | N/A                  | N/A           | N/A            |       |
| 13767 | EG24767    | G767B         | 9220                 | 31520         | 60556          |       |
| 13768 | EG24768    | G768B         | 9070                 | 31412         | N/A            |       |
| 13769 | EG24769    | G769B         | N/A                  | 31322         | N/A            |       |
| 13770 | EG24770    | G770B         | N/A                  | N/A           | N/A            |       |
| 13772 | EG24772    | G772B         | 9222                 | 31373         | 60601          |       |
| 13778 | EG24778    | G778B         | N/A                  | N/A           | 60640          |       |
| 13779 | EG24779    | G779B         | 9229                 | 31376         | 60614          |       |
| 13780 | EG24780    | G780B         | 9224                 | 31548         | N/A            |       |
| 13781 | EG24781    | G781B         | 9228                 | 31375         | 60637          |       |
| 13783 | EG24783    | G783B         | N/A                  | 31360         | 60566          |       |
| 13785 | EG24785    | G785B         | 8760                 | 31621         | N/A            |       |
| 13787 | EG24787    | G787B         | N/A                  | N/A           | 60754          |       |
| 13793 | EG24793    | G793B         | 9061                 | 31331         | N/A            |       |
| 13795 | EG24795    | G795B         | N/A                  | N/A           | 60674          |       |
| 13796 | EG24796    | G796B         | 9223                 | 31526         | 60639          |       |
| 13797 | EG24797    | G797B         | N/A                  | N/A           | 60581          |       |
| 13798 | EG24798    | G798B         | 9261                 | 31394         | 60584          |       |
| 13799 | EG24799    | G799B         | 9255                 | 31535         | 60665          |       |
| 13800 | EG24800    | G800B         | 9290                 | 31562         | 60690          |       |
| 13801 | EG24801    | G801B         | N/A                  | N/A           | 60623          |       |
| 13802 | EG24802    | G802B         | N/A                  | N/A           | N/A            |       |
| 13805 | EG24805    | G805B         | N/A                  | N/A           | N/A            |       |
| 13807 | EG24807    | G807B         | 9095                 | 31372         | 60641          |       |
| 13809 | EG24809    | G809B         | 9097                 | 31371         | 61267          |       |
| 13811 | EG24811    | G811B         | 8692                 | N/A           | 60714          |       |
| 13812 | EG24812    | G812B         | 9235                 | 31395         | 60688          |       |
| 13813 | EG24813    | G813B         | N/A                  | N/A           | N/A            |       |
| 13814 | EG24814    | G814B         | N/A                  | N/A           | N/A            |       |
| 13817 | EG24817    | G817B         | 9050                 | 31385         | N/A            |       |
| 13818 | EG24818    | G818B         | 9015                 | 31546         | N/A            |       |
| 13820 | EG24820    | G820B         | 9098                 | 31389         | 60634          |       |
| 13821 | EG24821    | G821B         | 9014                 | N/A           | N/A            |       |
| 13826 | EG24826    | G826B         | 9267                 | 31586         | 60776          |       |
| 13830 | EG24830    | G830B         | 9253                 | 31536         | 60680          |       |
| 13832 | EG24832    | G832B         | 9218                 | 31549         | 60461          |       |

# Exhaust Gasket Interchange

| ni #  | ROL Number | Marwil Number | AP/Goerlich's Number | Walker Number | Fel-Pro Number | Notes |
|-------|------------|---------------|----------------------|---------------|----------------|-------|
| 13833 | EG24833    | G833B         | N/A                  | N/A           | N/A            |       |
| 13834 | EG24834    | G834B         | N/A                  | N/A           | 60701          |       |
| 13835 | EG24835    | G835B         | N/A                  | 31387         | 60460          |       |
| 13838 | EG24838    | G838B         | N/A                  | N/A           | 60849          |       |
| 13839 | EG24839    | G839B         | 9100                 | N/A           | 60850          |       |
| 13840 | G1004      | G1004         | N/A                  | 31392         | N/A            |       |
| 13841 | EG24841    | G841B         | 9234                 | 31398         | 60718          |       |
| 13842 | EG24842    | G842B         | 9245                 | 31530         | 60712          |       |
| 13843 | EG24843    | G843B         | N/A                  | N/A           | 60669          |       |
| 13845 | EG24845    | G845B         | 9239                 | 31528         | 61080          |       |
| 13845 | EG24845    | G845B         | 9239                 | 31528         | 61080          |       |
| 13846 | EG24846    | G846B         | 9256                 | 31532         | 60868          |       |
| 13847 | EG24847    | G847B         | 9248                 | 31531         | 60810          |       |
| 13848 | EG24848    | G848B         | 9257                 | 31533         | 60800          |       |
| 13849 | EG24849    | G849B         | 9227                 | 31538         | N/A            |       |
| 13851 | EG24851    | G851B         | 9263                 | 31545         | 60796          |       |
| 13852 | EG24852    | G852B         | N/A                  | 31673         | 60828          |       |
| 13854 | EG24854    | N/A           | 8689                 | N/A           | N/A            |       |
| 13855 | EG24855    | G855B         | N/A                  | N/A           | 60924          |       |
| 13856 | EG24856    | G856B         | N/A                  | N/A           | 60753          |       |
| 13858 | EG24858    | G858B         | N/A                  | N/A           | N/A            |       |
| 13859 | G1001      | G1001         | N/A                  | N/A           | N/A            |       |
| 13859 | EG24859    | N/A           | N/A                  | N/A           | 60885          |       |
| 13860 | EG24860    | N/A           | N/A                  | N/A           | N/A            |       |
| 13861 | EG24861    | G861B         | 9244                 | 31543         | N/A            |       |
| 13863 | EG24863    | G863B         | 8734                 | 31542         | N/A            |       |
| 13864 | EG24864    | G864B         | 9213                 | 31603         | 60693          |       |
| 13866 | EG24866    | G866B         | N/A                  | N/A           | N/A            |       |
| 13867 | EG24867    | G867B         | N/A                  | N/A           | 60771          |       |
| 13868 | EG24868    | N/A           | 9257                 | N/A           | 61010          |       |
| 13872 | EG24872    | G872B         | 9250                 | 31560         | 60867          |       |
| 13873 | EG24873    | G873B         | 9276                 | 31686         | 60730          |       |
| 13874 | EG24874    | G874B         | N/A                  | N/A           | 60704          |       |
| 13875 | EG24875    | G875B         | 9251                 | 31570         | 60798          |       |
| 13877 | EG24877    | G877B         | N/A                  | 31685         | 60708          |       |
| 13878 | EG24878    | G878B         | N/A                  | N/A           | 60738          |       |
| 13879 | EG24879    | G879B         | N/A                  | N/A           | 60733          |       |
| 13880 | EG24880    | G880B         | 9258                 | N/A           | 60713          |       |
| 13881 | EG24881    | G881B         | N/A                  | N/A           | 60642          |       |
| 13882 | EG24882    | G882B         | N/A                  | N/A           | 60710          |       |
| 13884 | EG24884    | G884B         | N/A                  | N/A           | 60660          |       |
| 13885 | EG24885    | G885B         | N/A                  | 31667         | 60934          |       |
| 13886 | EG24886    | G886B         | N/A                  | 31539         | N/A            |       |
| 13887 | EG24887    | G887B         | N/A                  | 31550         | N/A            |       |

# Exhaust Gasket Interchange

| ni #  | ROL Number | Marwil Number | AP/Goerlich's Number | Walker Number | Fel-Pro Number | Notes |
|-------|------------|---------------|----------------------|---------------|----------------|-------|
| 13888 | EG24888    | G888B         | N/A                  | N/A           | N/A            |       |
| 13889 | EG24889    | G889B         | 9242                 | N/A           | N/A            |       |
| 13890 | EG24890    | G890B         | N/A                  | N/A           | N/A            |       |
| 13891 | EG24891    | G891B         | 9266                 | N/A           | 60937          |       |
| 13892 | EG24892    | G892B         | N/A                  | N/A           | N/A            |       |
| 13893 | EG24893    | G893B         | N/A                  | N/A           | N/A            |       |
| 13895 | EG24895    | G895B         | N/A                  | N/A           | 60955          |       |
| 13896 | EG24896    | G896B         | N/A                  | 31693         | 60936          |       |
| 13897 | EG24897    | G897B         | 9022                 | 31613         | 60992          |       |
| 13898 | EG24898    | G898B         | N/A                  | N/A           | 60857          |       |
| 13899 | EG24899    | G899B         | N/A                  | N/A           | 61011          |       |
| 13900 | EG24900    | G900B         | N/A                  | N/A           | N/A            |       |
| 13901 | EG24901    | G901B         | 9269                 | 31592         | 60917          |       |
| 13902 | EG24902    | G902B         | N/A                  | N/A           | 61365          |       |
| 13903 | EG24903    | G903B         | N/A                  | N/A           | 60935          |       |
| 13904 | EG24904    | G904B         | N/A                  | N/A           | N/A            |       |
| 13905 | EG24905    | G905B         | 8761                 | 31624         | N/A            |       |
| 13906 | EG24906    | G906B         | 8401                 | N/A           | N/A            |       |
| 13907 | EG24907    | G907B         | 9268                 | N/A           | 60877          |       |
| 13908 | EG24908    | G908B         | 9265                 | 31558         | 60993          |       |
| 13909 | EG24909    | G909B         | 8733                 | N/A           | 61015          |       |
| 13910 | EG24910    | G910B         | N/A                  | 31554         | 60854          |       |
| 13911 | EG24911    | G911B         | N/A                  | N/A           | N/A            |       |
| 13912 | EG24912    | G912B         | N/A                  | N/A           | 60679          |       |
| 13914 | EG24914    | G914B         | N/A                  | 31553         | N/A            |       |
| 13915 | EG24915    | G915B         | N/A                  | 31563         | 60789          |       |
| 13916 | EG24916    | G916B         | N/A                  | 31557         | 60884          |       |
| 13917 | EG24917    | G917B         | N/A                  | 31556         | 61013          |       |
| 13918 | EG24918    | G918B         | N/A                  | 31555         | 60772          |       |
| 13919 | EG24919    | G919B         | N/A                  | 31559         | 61361          |       |
| 13920 | EG24920    | G920B         | 9016                 | N/A           | N/A            |       |
| 13921 | EG24921    | G921B         | 9247                 | 31561         | 60866          |       |
| 13922 | EG24922    | G922B         | 8688                 | N/A           | N/A            |       |
| 13923 | EG24923    | G923B         | 9233                 | 31566         | N/A            |       |
| 13924 | EG24924    | G924B         | N/A                  | N/A           | 60860          |       |
| 13925 | EG24925    | G925B         | N/A                  | N/A           | 60459          |       |
| 13926 | EG24926    | G926B         | N/A                  | N/A           | N/A            |       |
| 13931 | EG24931    | G931B         | N/A                  | 31628         | N/A            |       |
| 13933 | EG24933    | G933B         | N/A                  | N/A           | N/A            |       |
| 13941 | EG24941    | G941B         | N/A                  | N/A           | 60957          |       |
| 13943 | EG24943    | G943B         | N/A                  | N/A           | N/A            |       |
| 13944 | EG24944    | G944B         | N/A                  | N/A           | N/A            |       |
| 13945 | EG24945    | G945B         | 9011                 | N/A           | N/A            |       |
| 13946 | EG24946    | G946B         | N/A                  | N/A           | 60943          |       |



# Exhaust Gasket Interchange

| ni #  | ROL Number | Marwil Number | AP/Goerlich's Number | Walker Number | Fel-Pro Number | Notes |
|-------|------------|---------------|----------------------|---------------|----------------|-------|
| 13947 | EG24947    | G947B         | N/A                  | N/A           | N/A            |       |
| 13948 | EG24948    | G948B         | N/A                  | N/A           | N/A            |       |
| 13952 | EG24952    | G952B         | N/A                  | N/A           | N/A            |       |
| 13954 | EG24954    | G954B         | N/A                  | N/A           | N/A            |       |
| 13955 | EG24955    | G955B         | N/A                  | N/A           | N/A            |       |
| 13959 | EG24959    | G959B         | N/A                  | N/A           | N/A            |       |
| 13962 | EG24962    | G962B         | N/A                  | N/A           | N/A            |       |
| 13963 | EG24963    | G963B         | N/A                  | 31614         | N/A            |       |
| 13964 | EG24964    | G964B         | N/A                  | N/A           | 8938           |       |
| 13966 | EG24966    | G966B         | N/A                  | 31669         | 61017          |       |
| 13967 | EG24967    | G967B         | N/A                  | N/A           | N/A            |       |
| 13968 | EG24968    | G968B         | N/A                  | N/A           | N/A            |       |
| 13969 | EG24969    | G969B         | N/A                  | N/A           | 61040          |       |
| 13970 | EG24970    | G970B         | N/A                  | 31600         | 60980          |       |
| 13973 | EG24973    | G973B         | 9216                 | N/A           | 61106          |       |
| 13974 | EG24974    | G974B         | N/A                  | N/A           | N/A            |       |
| 13976 | EG24976    | G976B         | N/A                  | 31654         | 60829          |       |
| 13979 | EG24979    | G979B         | N/A                  | 31689         | 60827          |       |
| 13981 | EG24981    | G981B         | N/A                  | 31576         | 60871          |       |
| 13983 | EG24983    | G983B         | N/A                  | N/A           | N/A            |       |
| 13985 | EG24985    | G985B         | N/A                  | 31615         | N/A            |       |
| 13987 | EG24987    | G987B         | N/A                  | N/A           | N/A            |       |
| 13988 | EG24988    | G988B         | 9270                 | N/A           | 61503          |       |
| 13989 | EG24989    | G989B         | N/A                  | N/A           | N/A            |       |
| 13991 | EG24991    | G991B         | N/A                  | N/A           | 60905          |       |
| 13992 | EG24992    | G992B         | N/A                  | N/A           | N/A            |       |
| 13993 | EG24993    | G993B         | N/A                  | 31619         | 60723          |       |
| 13995 | EG24995    | G995B         | N/A                  | N/A           | 60512          |       |
| 13996 | EG24996    | G996B         | N/A                  | N/A           | N/A            |       |
| 13997 | EG24997    | G997B         | 8701                 | 31590         | 60967          |       |
| 13998 | EG24998    | G998B         | 9281                 | 31593         | 61295          |       |
| 13999 | EG24999    | G999B         | N/A                  | N/A           | N/A            |       |

**DESIGN MAKES  
THE DIFFERENCE**

Learn more about exhaust systems on our website.